

Service Manual



Vector Network Analyzers

R&S[®] ZVB 4 / ZVB 8 / ZVB 14 / ZVB 20

1145.1010.04/06 / 08/10 / 14/17/19 / 20/23/25



1145.1078.82-04

www.valuetronics.com

R&S® is a registered trademark of Rohde & Schwarz GmbH & Co. KG.
Trade names are trademarks of the owners.

The instrument includes software developed by the OpenSSL Project for use in the OpenSSL Toolkit (<http://www.openssl.org/>). It includes cryptographic software written by Eric Young (eay@cryptsoft.com) and software written by Tim Hudson (tjh@cryptsoft.com). The verbatim license texts are provided in on the user documentation CD-ROM (included in delivery).

Chapter Overview

Safety Instructions

**Spare Parts Express Service
List of R&S Representatives**

**Contents of Manuals for Vector Network Analyzers R&S ZVB
Service and Repair**

Chapter 1: Performance Test

Chapter 2: Alignment

Chapter 3: Repair

Chapter 4: Software Update / Installation of Options

Chapter 5: Documents

Index

A

Alignment	2.3
Frequency accuracy	2.6
Frequency response correction	2.7, 2.9
Level accuracy	2.9
Manual	2.4
Reference frequency	2.6
Test equipment	2.4

B

Battery	
Replacement	3.25
Block circuit	
diagram	5.5, 5.19
Block diagram	
Explanation	3.2
Board replacement	
DC/AC converter	3.28
Disk drive	3.33
Fan	3.37
Front hood	3.32
Front module processor A90	3.22
Frontend A100	3.41, 3.47
LCD	3.28
Motherboard A10	3.38
Network Controller Board A130, A140	3.50
Power supply	3.36
Power supply	3.35
Reflectometer RM8	3.41
Switching foil	3.30
Synthesizer Board	3.51
USB Board	3.34
Board Replacement	
Battery	3.25
Boards	
Overview	3.21
Boot problems	
Troubleshooting	3.56

D

Disk drive	
Replacement	3.33
Documents	5.1

F

Fan	
Replacement	3.37
Frequency accuracy	
Alignment	2.6
Check . 1.4, 1.9, 1.11, 1.12, 1.13, 1.14, 1.15, 1.16, 1.17	
Frequency Reference Board A100	
Replacement	3.53
Frequency response	
Correction	2.7, 2.9
Front hood	3.32
Front module processor	
Function	3.18
Replacement	3.22
Front unit	3.18
Frontend	
Replcement	3.41, 3.47
Function description	3.1

H

Hard Disk	
Replacement	3.27
Hard Disk battery	
Replacement	3.27

I

Instrument construction	3.1
-------------------------------	-----

K

Keyboard	
Function	3.18
Replacement	3.30

L

LC display	3.18
LCD	
Replacement	3.28
Level accuracy	
Alignment	2.9
Lithium battery	
Replacement	3.25
LO Divider A600	
Replacement	3.52

M

Manual alignment	2.4
Mechanical Drawings	5.5
Menu, service	2.3
Microwave converter	
Replacement	3.52
Motherboard	
Function	3.20
Replacement	3.38

N

Network Controller Board A130, A140	
Replacement	3.50

O

OcXO	
Function	3.14
Option	
B4	
Function	3.14
FSU-B9	
Function	3.20
Installation	4.2
List	4.2

P

Password	2.3
Performance test	
Frequency accuracy	1.4, 1.9, 1.11
1.12, 1.13, 1.14, 1.15	
Harmonics suppression	1.5
Level accuracy	1.6, 1.7

Level linearity 1.5, 1.8
Protocol 1.18
Performance Test..... 1.1
 Frequency accuracy..... 1.16, 1.17
Power cables 5.4
Power supply
 Function 3.19
 Replacement..... 3.36
 Replacement..... 3.35
Power-up problems 3.55
Precision attenuator
 Function 3.11, 3.12

R

Reflectometer RM8
 Replacement..... 3.41
Refurbished Modules 5.2
Repairs..... 3.1
Replacement
 Bridge Unit 3.46
 Coupler Unit 3.48
 Generator and Receiver Cover..... 3.44
 Generator Board 3.42
 Inner Conductor of a Port Connector..... 3.45
 Receiver Board 3.43
 Reflectometer Fan..... 3.49
 Reflectometer RM20 3.47
Replacement
 Boards 3.20
Replacing
 Boards 3.20

S

Shipping
 Instrument 5.1
 Module 5.1
Software update 4.1
Spare parts
 electrical parts 5.5, 5.19
 list of all parts 5.7
 Ordering 5.2
 Refurbished Modules..... 5.2
Synthesizer
 Replacement 3.51

T

Test equipment
 Alignment 2.4
 Performance test 1.2
Test equipment
 Troubleshooting..... 3.54
Tracking generator
 Function 3.20
Troubleshooting
 Power-up problems 3.55
Troubleshooting 3.54
Troubleshooting
 Boot problems 3.56
Troubleshooting
 Selftest 3.58, 3.63, 3.68

U

USB Board
 Board replacement 3.34

Grouped Safety Messages









Make sure to read through and observe the following safety instructions!



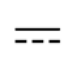

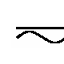

All plants and locations of the Rohde & Schwarz group of companies make every effort to keep the safety standard of our products up to date and to offer our customers the highest possible degree of safety. Our products and the auxiliary equipment required for them are designed and tested in accordance with the relevant safety standards. Compliance with these standards is continuously monitored by our quality assurance system. The product described here has been designed and tested in accordance with the EC Certificate of Conformity and has left the manufacturer's plant in a condition fully complying with safety standards. To maintain this condition and to ensure safe operation, observe all instructions and warnings provided in this manual. If you have any questions regarding these safety instructions, the Rohde & Schwarz group of companies will be happy to answer them.

Furthermore, it is your responsibility to use the product in an appropriate manner. This product is designed for use solely in industrial and laboratory environments or, if expressly permitted, also in the field and must not be used in any way that may cause personal injury or property damage. You are responsible if the product is used for an intention other than its designated purpose or in disregard of the manufacturer's instructions. The manufacturer shall assume no responsibility for such use of the product.

The product is used for its designated purpose if it is used in accordance with its product documentation and within its performance limits (see data sheet, documentation, the following safety instructions). Using the product requires technical skills and a basic knowledge of English. It is therefore essential that only skilled and specialized staff or thoroughly trained personnel with the required skills be allowed to use the product. If personal safety gear is required for using Rohde & Schwarz products, this will be indicated at the appropriate place in the product documentation. Keep the basic safety instructions and the product documentation in a safe place and pass them on to the subsequent users.

Symbols and safety labels

							
Observe product documentation	Weight indication for units >18 kg	Danger of electric shock	Warning! Hot surface	PE terminal	Ground	Ground terminal	Attention! Electrostatic sensitive devices

					
Supply voltage ON/OFF	Standby indication	Direct current (DC)	Alternating current (AC)	Direct/alternating current (DC/AC)	Device fully protected by double/reinforced insulation

Observing the safety instructions will help prevent personal injury or damage of any kind caused by dangerous situations. Therefore, carefully read through and adhere to the following safety instructions before putting the product into operation. It is also absolutely essential to observe the additional safety instructions on personal safety that appear in relevant parts of the product documentation. In these safety instructions, the word "product" refers to all merchandise sold and distributed by the Rohde & Schwarz group of companies, including instruments, systems and all accessories.

Tags and their meaning

DANGER	DANGER indicates a hazardous situation which, if not avoided, will result in death or serious injury.
WARNING	WARNING indicates a hazardous situation which, if not avoided, could result in death or serious injury.
CAUTION	CAUTION indicates a hazardous situation which, if not avoided, may result in minor or moderate injury.
NOTICE	NOTICE indicates a property damage message.

In the product documentation, the word ATTENTION is used synonymously.

These tags are in accordance with the standard definition for civil applications in the European Economic Area. Definitions that deviate from the standard definition may also exist in other economic areas or military applications. It is therefore essential to make sure that the tags described here are always used only in connection with the related product documentation and the related product. The use of tags in connection with unrelated products or documentation can result in misinterpretation and thus contribute to personal injury or material damage.

Basic safety instructions

1. The product may be operated only under the operating conditions and in the positions specified by the manufacturer. Its ventilation must not be obstructed during operation. Unless otherwise specified, the following requirements apply to Rohde & Schwarz products:
prescribed operating position is always with the housing floor facing down, IP protection 2X, pollution severity 2, overvoltage category 2, use only in enclosed spaces, max. operation altitude 2000 m above sea level, max. transport altitude 4500 m above sea level.
A tolerance of $\pm 10\%$ shall apply to the nominal voltage and of $\pm 5\%$ to the nominal frequency.
2. Applicable local or national safety regulations and rules for the prevention of accidents must be observed in all work performed. The product may be opened only by authorized, specially trained personnel. Prior to performing any work on the product or opening the product, the product must be disconnected from the supply network. Any adjustments, replacements of parts, maintenance or repair must be carried out only by technical personnel authorized by Rohde & Schwarz. Only original parts may be used for replacing parts relevant to safety (e.g. power switches, power transformers, fuses). A safety test must always be performed after parts relevant to safety have been replaced (visual inspection, PE conductor test, insulation resistance measurement, leakage current measurement, functional test).
3. As with all industrially manufactured goods, the use of substances that induce an allergic reaction (allergens, e.g. nickel) such as aluminum cannot be generally excluded. If you develop an allergic reaction (such as a skin rash, frequent sneezing, red eyes or respiratory difficulties), consult a physician immediately to determine the cause.
4. If products/components are mechanically and/or thermally processed in a manner that goes beyond their intended use, hazardous substances (heavy-metal dust such as lead, beryllium, nickel) may be released. For this reason, the product may only be disassembled, e.g. for disposal purposes, by specially trained personnel. Improper disassembly may be hazardous to your health. National waste disposal regulations must be observed.

Grouped Safety Messages

5. If handling the product yields hazardous substances or fuels that must be disposed of in a special way, e.g. coolants or engine oils that must be replenished regularly, the safety instructions of the manufacturer of the hazardous substances or fuels and the applicable regional waste disposal regulations must be observed. Also observe the relevant safety instructions in the product documentation.
6. Depending on the function, certain products such as RF radio equipment can produce an elevated level of electromagnetic radiation. Considering that unborn life requires increased protection, pregnant women should be protected by appropriate measures. Persons with pacemakers may also be endangered by electromagnetic radiation. The employer/operator is required to assess workplaces where there is a special risk of exposure to radiation and, if necessary, take measures to avert the danger.
7. Operating the products requires special training and intense concentration. Make certain that persons who use the products are physically, mentally and emotionally fit enough to handle operating the products; otherwise injuries or material damage may occur. It is the responsibility of the employer to select suitable personnel for operating the products.
8. Prior to switching on the product, it must be ensured that the nominal voltage setting on the product matches the nominal voltage of the AC supply network. If a different voltage is to be set, the power fuse of the product may have to be changed accordingly.
9. In the case of products of safety class I with movable power cord and connector, operation is permitted only on sockets with earthing contact and protective earth connection.
10. Intentionally breaking the protective earth connection either in the feed line or in the product itself is not permitted. Doing so can result in the danger of an electric shock from the product. If extension cords or connector strips are implemented, they must be checked on a regular basis to ensure that they are safe to use.
11. If the product has no power switch for disconnection from the AC supply, the plug of the connecting cable is regarded as the disconnecting device. In such cases, it must be ensured that the power plug is easily reachable and accessible at all times (corresponding to the length of connecting cable, approx. 2 m). Functional or electronic switches are not suitable for providing disconnection from the AC supply. If products without power switches are integrated in racks or systems, a disconnecting device must be provided at the system level.
12. Never use the product if the power cable is damaged. Check the power cable on a regular basis to ensure that it is in proper operating condition. By taking appropriate safety measures and carefully laying the power cable, ensure that the cable cannot be damaged and that no one can be hurt by e.g. tripping over the cable or suffering an electric shock.
13. The product may be operated only from TN/TT supply networks fused with max. 16 A (higher fuse only after consulting with the Rohde & Schwarz group of companies).
14. Do not insert the plug into sockets that are dusty or dirty. Insert the plug firmly and all the way into the socket. Otherwise, this can result in sparks, fire and/or injuries.
15. Do not overload any sockets, extension cords or connector strips; doing so can cause fire or electric shocks.
16. For measurements in circuits with voltages $V_{\text{rms}} > 30 \text{ V}$, suitable measures (e.g. appropriate measuring equipment, fusing, current limiting, electrical separation, insulation) should be taken to avoid any hazards.
17. Ensure that the connections with information technology equipment comply with IEC 950/EN 60950.
18. Unless expressly permitted, never remove the cover or any part of the housing while the product is in operation. Doing so will expose circuits and components and can lead to injuries, fire or damage to the product.
19. If a product is to be permanently installed, the connection between the PE terminal on site and the product's PE conductor must be made first before any other connection is made. The product may be installed and connected only by a license electrician.

Grouped Safety Messages

20. For permanently installed equipment without built-in fuses, circuit breakers or similar protective devices, the supply circuit must be fused in such a way that suitable protection is provided for users and products.
21. Do not insert any objects into the openings in the housing that are not designed for this purpose. Never pour any liquids onto or into the housing. This can cause short circuits inside the product and/or electric shocks, fire or injuries.
22. Use suitable overvoltage protection to ensure that no overvoltage (such as that caused by a thunderstorm) can reach the product. Otherwise the operating personnel will be endangered by electric shocks.
23. Rohde & Schwarz products are not protected against penetration of liquids, unless otherwise specified (see also safety instruction 1.). If this is not taken into account, there exists the danger of electric shock for the user or damage to the product, which can also lead to personal injury.
24. Never use the product under conditions in which condensation has formed or can form in or on the product, e.g. if the product was moved from a cold to a warm environment.
25. Do not close any slots or openings on the product, since they are necessary for ventilation and prevent the product from overheating. Do not place the product on soft surfaces such as sofas or rugs or inside a closed housing, unless this is well ventilated.
26. Do not place the product on heat-generating devices such as radiators or fan heaters. The temperature of the environment must not exceed the maximum temperature specified in the data sheet.
27. Batteries and storage batteries must not be exposed to high temperatures or fire. Keep batteries and storage batteries away from children. Do not short-circuit batteries and storage batteries.
If batteries or storage batteries are improperly replaced, this can cause an explosion (warning: lithium cells). Replace the battery or storage battery only with the matching Rohde & Schwarz type (see spare parts list). Batteries and storage batteries must be recycled and kept separate from residual waste. Batteries and storage batteries that contain lead, mercury or cadmium are hazardous waste. Observe the national regulations regarding waste disposal and recycling.
28. Please be aware that in the event of a fire, toxic substances (gases, liquids etc.) that may be hazardous to your health may escape from the product.
29. The product can be very heavy. Be careful when moving it to avoid back or other physical injuries.
30. Do not place the product on surfaces, vehicles, cabinets or tables that for reasons of weight or stability are unsuitable for this purpose. Always follow the manufacturer's installation instructions when installing the product and fastening it to objects or structures (e.g. walls and shelves).
31. Handles on the products are designed exclusively for personnel to hold or carry the product. It is therefore not permissible to use handles for fastening the product to or on means of transport such as cranes, fork lifts, wagons, etc. The user is responsible for securely fastening the products to or on the means of transport and for observing the safety regulations of the manufacturer of the means of transport. Noncompliance can result in personal injury or material damage.
32. If you use the product in a vehicle, it is the sole responsibility of the driver to drive the vehicle safely. Adequately secure the product in the vehicle to prevent injuries or other damage in the event of an accident. Never use the product in a moving vehicle if doing so could distract the driver of the vehicle. The driver is always responsible for the safety of the vehicle. The manufacturer assumes no responsibility for accidents or collisions.
33. If a laser product (e.g. a CD/DVD drive) is integrated in a Rohde & Schwarz product, do not use any other settings or functions than those described in the product documentation. Otherwise this may be hazardous to your health, since the laser beam can cause irreversible damage to your eyes. Never try to take such products apart, and never look into the laser beam.
34. Prior to cleaning, disconnect the product from the AC supply. Use a soft, non-linting cloth to clean the product. Never use chemical cleaning agents such as alcohol, acetone or diluent for cellulose lacquers.

Informaciones elementales de seguridad

¡Es imprescindible leer y observar las siguientes instrucciones e informaciones de seguridad!



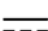



El principio del grupo de empresas Rohde & Schwarz consiste en tener nuestros productos siempre al día con los estándares de seguridad y de ofrecer a nuestros clientes el máximo grado de seguridad. Nuestros productos y todos los equipos adicionales son siempre fabricados y examinados según las normas de seguridad vigentes. Nuestra sección de gestión de la seguridad de calidad controla constantemente que sean cumplidas estas normas. El presente producto ha sido fabricado y examinado según el comprobante de conformidad adjunto según las normas de la CE y ha salido de nuestra planta en estado impecable según los estándares técnicos de seguridad. Para poder preservar este estado y garantizar un funcionamiento libre de peligros, el usuario deberá atenerse a todas las indicaciones, informaciones de seguridad y notas de alerta. El grupo de empresas Rohde & Schwarz está siempre a su disposición en caso de que tengan preguntas referentes a estas informaciones de seguridad.

Además queda en la responsabilidad del usuario utilizar el producto en la forma debida. Este producto está destinado exclusivamente al uso en la industria y el laboratorio o, si ha sido expresamente autorizado, para aplicaciones de campo y de ninguna manera deberá ser utilizado de modo que alguna persona/cosa pueda sufrir daño. El uso del producto fuera de sus fines definidos o despreciando las informaciones de seguridad del fabricante queda en la responsabilidad del usuario. El fabricante no se hace en ninguna forma responsable de consecuencias a causa del mal uso del producto.

Se parte del uso correcto del producto para los fines definidos si el producto es utilizado dentro de las instrucciones de la correspondiente documentación de producto y dentro del margen de rendimiento definido (ver hoja de datos, documentación, informaciones de seguridad que siguen). El uso del producto hace necesarios conocimientos profundos y conocimientos básicas del idioma inglés. Por eso se debe tener en cuenta que el producto sólo pueda ser operado por personal especializado o personas minuciosamente instruidas con las capacidades correspondientes. Si fuera necesaria indumentaria de seguridad para el uso de productos de R&S, encontrará la información debida en la documentación del producto en el capítulo correspondiente. Guarde bien las informaciones de seguridad elementales, así como la documentación del producto y entréguela a usuarios posteriores.

Símbolos y definiciones de seguridad

							
Ver documentación de producto	Informaciones para maquinaria con un peso de > 18kg	Peligro de golpe de corriente	¡Advertencia! Superficie caliente	Conexión a conductor protector	Conexión a tierra	Conexión a masa conductora	¡Cuidado! Elementos de construcción con peligro de carga electrostática

					
Potencia EN MARCHA/PARADA	Indicación Stand-by	Corriente continua DC	Corriente alterna AC	Corriente continua/- alterna DC/AC	El aparato está protegido en su totalidad por un aislamiento de doble refuerzo

Informaciones elementales de seguridad

Tener en cuenta las informaciones de seguridad sirve para tratar de evitar daños y peligros de toda clase. Es necesario de que se lean las siguientes informaciones de seguridad concienzudamente y se tengan en cuenta debidamente antes de la puesta en funcionamiento del producto. También deberán ser tenidas en cuenta las informaciones para la protección de personas que encontrarán en el capítulo correspondiente de la documentación de producto y que también son obligatorias de seguir. En las informaciones de seguridad actuales hemos juntado todos los objetos vendidos por el grupo de empresas Rohde & Schwarz bajo la denominación de „producto“, entre ellos también aparatos, instalaciones así como toda clase de accesorios.

Palabras de señal y su significado

PELIGRO	Identifica un peligro directo con riesgo elevado de provocar muerte o lesiones de gravedad si no se toman las medidas oportunas.
ADVERTENCIA	Identifica un posible peligro con riesgo medio de provocar muerte o lesiones (de gravedad) si no se toman las medidas oportunas.
ATENCIÓN	Identifica un peligro con riesgo reducido de provocar lesiones de gravedad media o leve si no se toman las medidas oportunas.
AVISO	Indica la posibilidad de utilizar mal el producto y a consecuencia dañarlo. En la documentación del producto se emplea de forma sinónima el término CUIDADO.

Las palabras de señal corresponden a la definición habitual para aplicaciones civiles en el área económica europea. Pueden existir definiciones diferentes a esta definición en otras áreas económicas o en aplicaciones militares. Por eso se deberá tener en cuenta que las palabras de señal aquí descritas sean utilizadas siempre solamente en combinación con la correspondiente documentación de producto y solamente en combinación con el producto correspondiente. La utilización de las palabras de señal en combinación con productos o documentaciones que no les correspondan puede llevar a malinterpretaciones y tener por consecuencia daños en personas u objetos.

Informaciones de seguridad elementales

1. El producto solamente debe ser utilizado según lo indicado por el fabricante referente a la situación y posición de funcionamiento sin que se obstruya la ventilación. Si no se convino de otra manera, es para los productos R&S válido lo que sigue:
como posición de funcionamiento se define por principio la posición con el suelo de la caja para abajo, modo de protección IP 2X, grado de suciedad 2, categoría de sobrecarga eléctrica 2, utilizar solamente en estancias interiores, utilización hasta 2000 m sobre el nivel del mar, transporte hasta 4.500 m sobre el nivel del mar.
Se aplicará una tolerancia de $\pm 10\%$ sobre el voltaje nominal y de $\pm 5\%$ sobre la frecuencia nominal.
2. En todos los trabajos deberán ser tenidas en cuenta las normas locales de seguridad de trabajo y de prevención de accidentes. El producto solamente debe de ser abierto por personal especializado autorizado. Antes de efectuar trabajos en el producto o abrirlo deberá este ser desconectado de la corriente. El ajuste, el cambio de partes, la manutención y la reparación deberán ser solamente efectuadas por electricistas autorizados por R&S. Si se reponen partes con importancia para los aspectos de seguridad (por ejemplo el enchufe, los transformadores o los fusibles), solamente podrán ser sustituidos por partes originales. Después de cada recambio de partes elementales para la seguridad deberá ser efectuado un control de seguridad (control a primera vista, control de conductor protector, medición de resistencia de aislamiento, medición de la corriente conductora, control de funcionamiento).

Informaciones elementales de seguridad

3. Como en todo producto de fabricación industrial no puede ser excluido en general de que se produzcan al usarlo elementos que puedan generar alergias, los llamados elementos alergénicos (por ejemplo el níquel). Si se produjeran en el trato con productos R&S reacciones alérgicas, como por ejemplo urticaria, estornudos frecuentes, irritación de la conjuntiva o dificultades al respirar, se deberá consultar inmediatamente a un médico para averiguar los motivos de estas reacciones.
 4. Si productos / elementos de construcción son tratados fuera del funcionamiento definido de forma mecánica o térmica, pueden generarse elementos peligrosos (polvos de sustancia de metales pesados como por ejemplo plomo, berilio, níquel). La partición elemental del producto, como por ejemplo sucede en el tratamiento de materias residuales, debe de ser efectuada solamente por personal especializado para estos tratamientos. La partición elemental efectuada inadecuadamente puede generar daños para la salud. Se deben tener en cuenta las directivas nacionales referentes al tratamiento de materias residuales.
 5. En el caso de que se produjeran agentes de peligro o combustibles en la aplicación del producto que debieran de ser transferidos a un tratamiento de materias residuales, como por ejemplo agentes refrigerantes que deben ser repuestos en periodos definidos, o aceites para motores, deberán ser tenidas en cuenta las prescripciones de seguridad del fabricante de estos agentes de peligro o combustibles y las regulaciones regionales para el tratamiento de materias residuales. Cuiden también de tener en cuenta en caso dado las prescripciones de seguridad especiales en la descripción del producto.
 6. Ciertos productos, como por ejemplo las instalaciones de radiocomunicación RF, pueden a causa de su función natural, emitir una radiación electromagnética aumentada. En vista a la protección de la vida en desarrollo deberían ser protegidas personas embarazadas debidamente. También las personas con un bypass pueden correr peligro a causa de la radiación electromagnética.
- El empresario/usuario está comprometido a valorar y señalar áreas de trabajo en las que se corra un riesgo aumentado de exposición a radiaciones para evitar riesgos.
7. La utilización de los productos requiere instrucciones especiales y una alta concentración en el manejo. Debe de ponerse por seguro de que las personas que manejen los productos estén a la altura de los requerimientos necesarios referente a sus aptitudes físicas, psíquicas y emocionales, ya que de otra manera no se pueden excluir lesiones o daños de objetos. El empresario lleva la responsabilidad de seleccionar el personal usuario apto para el manejo de los productos.
 8. Antes de la puesta en marcha del producto se deberá tener por seguro de que la tensión preseleccionada en el producto equivalga a la del la red de distribución. Si es necesario cambiar la preselección de la tensión también se deberán en caso dabo cambiar los fusibles correspondientes del producto.
 9. Productos de la clase de seguridad I con alimentación móvil y enchufe individual de producto solamente deberán ser conectados para el funcionamiento a tomas de corriente de contacto de seguridad y con conductor protector conectado.
 10. Queda prohibida toda clase de interrupción intencionada del conductor protector, tanto en la toma de corriente como en el mismo producto. Puede tener como consecuencia el peligro de golpe de corriente por el producto. Si se utilizaran cables o enchufes de extensión se deberá poner al seguro que es controlado su estado técnico de seguridad.
 11. Si el producto no está equipado con un interruptor para desconectarlo de la red, se deberá considerar el enchufe del cable de distribución como interruptor. En estos casos deberá asegurar de que el enchufe sea de fácil acceso y nabejo (según la medida del cable de distribución, aproximadamente 2 m). Los interruptores de función o electrónicos no son aptos para el corte de la red eléctrica. Si los productos sin interruptor están integrados en bastidores o instalaciones, se deberá instalar el interruptor al nivel de la instalación.

Informaciones elementales de seguridad

12. No utilice nunca el producto si está dañado el cable eléctrico. Compruebe regularmente el correcto estado de los cables de conexión a red. Asegure a través de las medidas de protección y de instalación adecuadas de que el cable de eléctrico no pueda ser dañado o de que nadie pueda ser dañado por él, por ejemplo al tropezar o por un golpe de corriente.
13. Solamente está permitido el funcionamiento en redes de distribución TN/TT aseguradas con fusibles de como máximo 16 A (utilización de fusibles de mayor amperaje sólo previa consulta con el grupo de empresas Rohde & Schwarz).
14. Nunca conecte el enchufe en tomas de corriente sucias o llenas de polvo. Introduzca el enchufe por completo y fuertemente en la toma de corriente. Si no tiene en consideración estas indicaciones se arriesga a que se originen chispas, fuego y/o heridas.
15. No sobrecargue las tomas de corriente, los cables de extensión o los enchufes de extensión ya que esto pudiera causar fuego o golpes de corriente.
16. En las mediciones en circuitos de corriente con una tensión de entrada de $U_{\text{eff}} > 30 \text{ V}$ se deberá tomar las precauciones debidas para impedir cualquier peligro (por ejemplo medios de medición adecuados, seguros, limitación de tensión, corte protector, aislamiento etc.).
17. En caso de conexión con aparatos de la técnica informática se deberá tener en cuenta que estos cumplan los requisitos del estándar IEC950/EN60950.
18. A menos que esté permitido expresamente, no retire nunca la tapa ni componentes de la carcasa mientras el producto esté en servicio. Esto pone a descubierto los cables y componentes eléctricos y puede causar heridas, fuego o daños en el producto.
19. Si un producto es instalado fijamente en un lugar, se deberá primero conectar el conductor protector fijo con el conductor protector del aparato antes de hacer cualquier otra conexión. La instalación y la conexión deberán ser efectuadas por un electricista especializado.
20. En caso de que los productos que son instalados fijamente en un lugar sean sin protector implementado, autointerruptor o similares objetos de protección, el circuito de suministro de corriente deberá estar protegido de manera que usuarios y productos estén suficientemente protegidos.
21. Por favor, no introduzca ningún objeto que no esté destinado a ello en los orificios de la caja del aparato. No vierta nunca ninguna clase de líquidos sobre o en la caja. Esto puede producir cortocircuitos en el producto y/o puede causar golpes de corriente, fuego o heridas.
22. Asegúrese con la protección adecuada de que no pueda originarse en el producto una sobrecarga por ejemplo a causa de una tormenta. Si no se verá el personal que lo utilice expuesto al peligro de un golpe de corriente.
23. Los productos R&S no están protegidos contra líquidos si no es que exista otra indicación, ver también punto 1. Si no se tiene en cuenta esto se arriesga el peligro de golpe de corriente para el usuario o de daños en el producto lo cual también puede llevar al peligro de personas.
24. No utilice el producto bajo condiciones en las que pueda producirse y se hayan producido líquidos de condensación en o dentro del producto como por ejemplo cuando se desplaza el producto de un lugar frío a un lugar caliente.
25. Por favor no cierre ninguna ranura u orificio del producto, ya que estas son necesarias para la ventilación e impiden que el producto se caliente demasiado. No pongan el producto encima de materiales blandos como por ejemplo sofás o alfombras o dentro de una caja cerrada, si esta no está suficientemente ventilada.
26. No ponga el producto sobre aparatos que produzcan calor, como por ejemplo radiadores o calentadores. La temperatura ambiental no debe superar la temperatura máxima especificada en la hoja de datos.

Informaciones elementales de seguridad

27. Baterías y acumuladores no deben de ser expuestos a temperaturas altas o al fuego. Guardar baterías y acumuladores fuera del alcance de los niños. No cortocircuitar baterías ni acumuladores. Si las baterías o los acumuladores no son cambiados con la debida atención existirá peligro de explosión (atención células de litio). Cambiar las baterías o los acumuladores solamente por los del tipo R&S correspondiente (ver lista de piezas de recambio). Las baterías y acumuladores deben reutilizarse y no deben acceder a los vertederos. Las baterías y acumuladores que contienen plomo, mercurio o cadmio deben tratarse como residuos especiales. Respete en esta relación las normas nacionales de evacuación y reciclaje.
28. Por favor tengan en cuenta que en caso de un incendio pueden desprenderse del producto agentes venenosos (gases, líquidos etc.) que pueden generar daños a la salud.
29. El producto puede poseer un peso elevado. Muévelo con cuidado para evitar lesiones en la espalda u otras partes corporales.
30. No sitúe el producto encima de superficies, vehículos, estantes o mesas, que por sus características de peso o de estabilidad no sean aptas para él. Siga siempre las instrucciones de instalación del fabricante cuando instale y asegure el producto en objetos o estructuras (por ejemplo paredes y estantes).
31. Las asas instaladas en los productos sirven solamente de ayuda para el manejo que solamente está previsto para personas. Por eso no está permitido utilizar las asas para la sujeción en o sobre medios de transporte como por ejemplo grúas, carretillas elevadoras de horquilla, carros etc. El usuario es responsable de que los productos sean sujetados de forma segura a los medios de transporte y de que las prescripciones de seguridad del fabricante de los medios de transporte sean observadas. En caso de que no se tengan en cuenta pueden causarse daños en personas y objetos.
32. Si llega a utilizar el producto dentro de un vehículo, queda en la responsabilidad absoluta del conductor que conducir el vehículo de manera segura. Asegure el producto dentro del vehículo debidamente para evitar en caso de un accidente las lesiones u otra clase de daños. No utilice nunca el producto dentro de un vehículo en movimiento si esto pudiera distraer al conductor. Siempre queda en la responsabilidad absoluta del conductor la seguridad del vehículo. El fabricante no asumirá ninguna clase de responsabilidad por accidentes o colisiones.
33. Dado el caso de que esté integrado un producto de láser en un producto R&S (por ejemplo CD/DVD-ROM) no utilice otras instalaciones o funciones que las descritas en la documentación de producto. De otra manera pondrá en peligro su salud, ya que el rayo láser puede dañar irreversiblemente sus ojos. Nunca trate de descomponer estos productos. Nunca mire dentro del rayo láser.
34. Antes de proceder a la limpieza, desconecte el producto de la red. Realice la limpieza con un paño suave, que no se deshilache. No utilice de ninguna manera agentes limpiadores químicos como, por ejemplo, alcohol, acetona o nitrodiluyente.

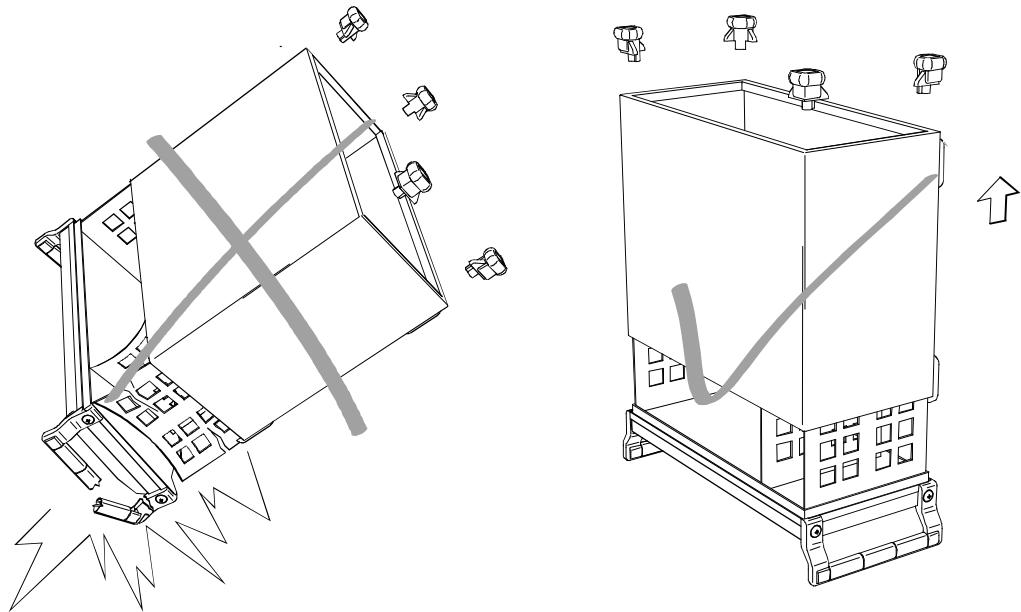
Safety Instructions for Units with Removable Cabinet

⚠ WARNING

Danger of injuries

When removing the rear feet, the unit can slip out of the cabinet.

Put the unit onto the front handles, before removing the rear feet and taking off the cabinet. Thus the risk of personal injuries and damages to the unit is avoided.



When mounting the cabinet take care not to pin in the fingers. Also pay attention not to damage or pull off cables. Screw the rear feet back on immediately after mounting the cabinet. Do not move the unit with the rear feet missing.

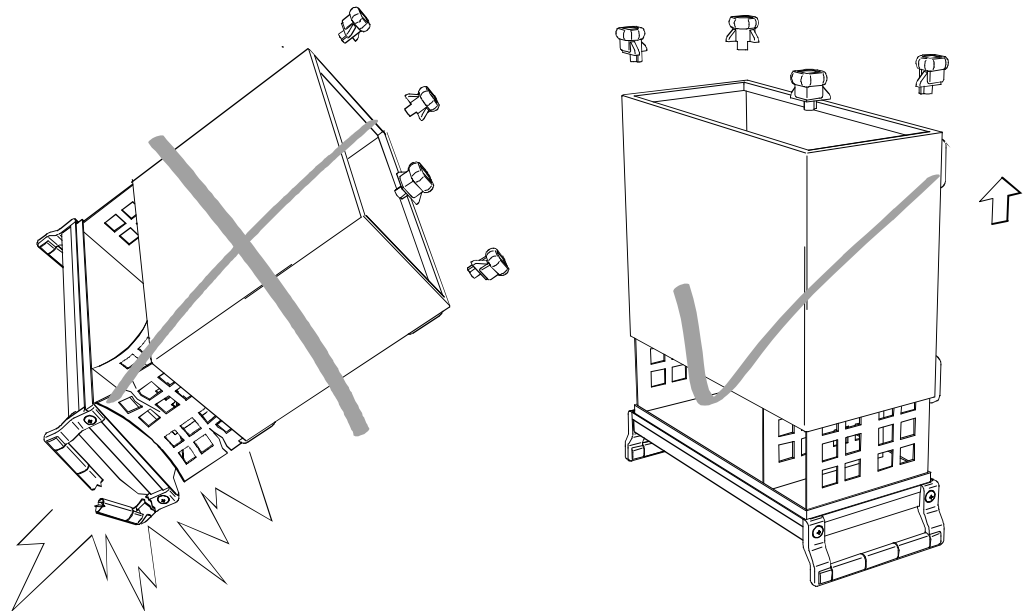
Informaciones de seguridad para aparatos con tubo de quita y pon

⚠ ADVERTENCIA

Peligro de heridas

Al sacar los pies de la pared posterior puede deslizarse el aparato fuera de la caja.

Posicionar el aparato de manera segura sobre las asas delanteras, antes de sacar los pies de la pared posterior y entonces sacar la caja. De esta manera evitarán el riesgo de daños en personas y daños en el aparato.



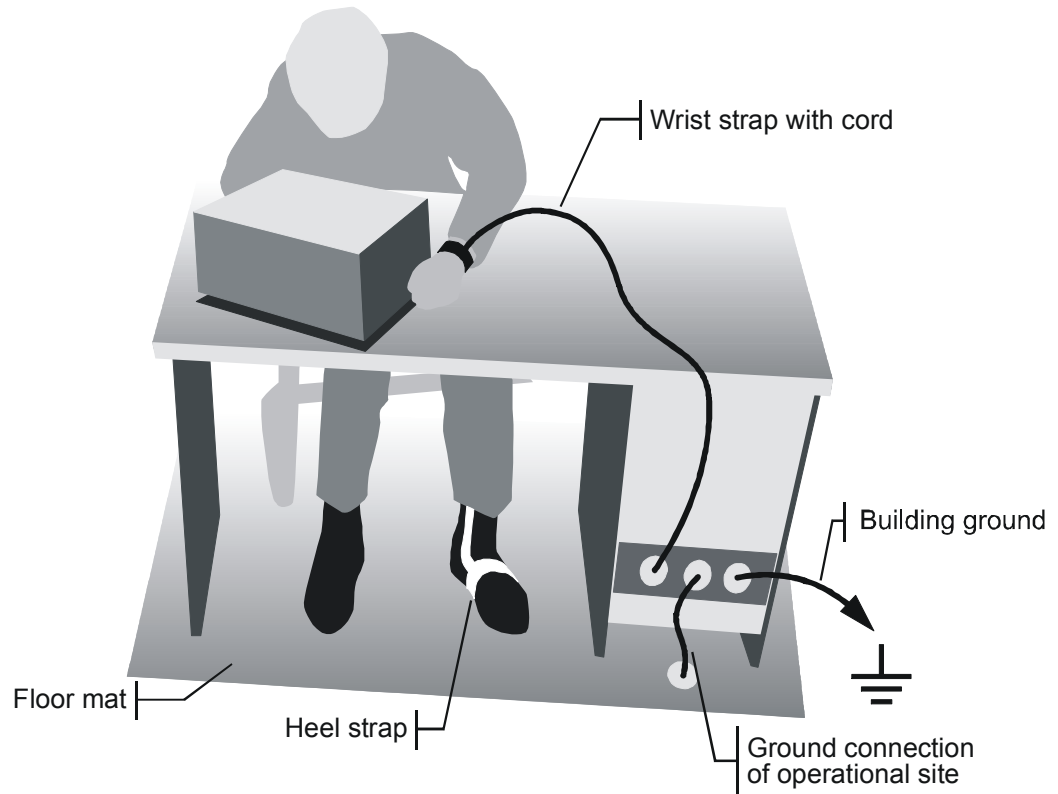
Existe el riesgo de heridas en el momento de poner otra vez la caja, como por ejemplo posiblemente engancharse los dedos. Por favor tengan además en cuenta de que no se enganchen o desconecten cables. Por favor atornillen los pies de la pared posterior directamente despues de poner la caja. No muevan el aparato nunca sin que los pies de la pared posterior estén atornillados.

Instructions for Electrostatic Discharge Protection

NOTICE

Risk of damaging electronic components

To avoid damage of electronic components, the operational site must be protected against electrostatic discharge (ESD).



The following two methods of ESD protection may be used together or separately:

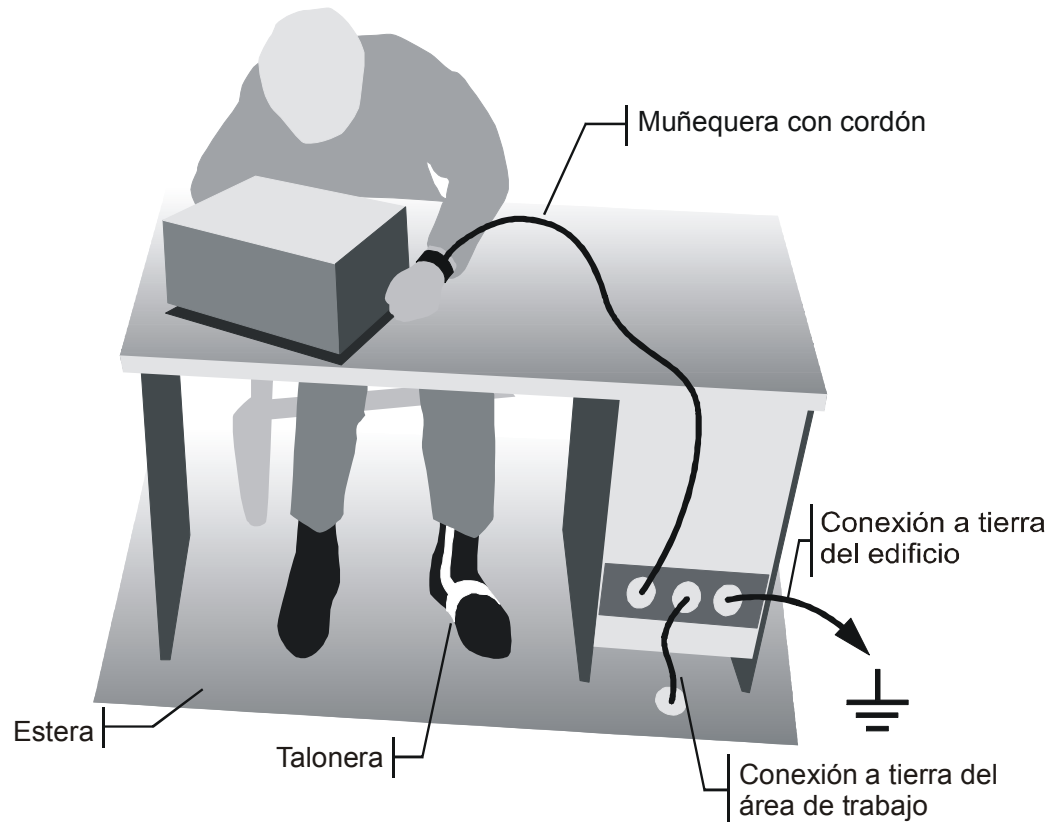
- Wrist strap with cord to ground connection
 - Conductive floor mat and heel strap combination
-

Instrucciones para la protección contra descargas electrostáticas

AVISO

Riesgo de avería de los componentes electrónicos

Para evitar averías en los componentes electrónicos, el área de trabajo tiene que estar protegido contra descargas electrostáticas ESD (electrostatic discharge).



Los siguientes dos métodos de protección ESD pueden ser usados juntos o separados:

- Muñequera con cordón para conexión a tierra
- Combinación de estera antiestática y talonera

Procedure in Case of Service and Ordering of Spare Parts

This section contains information on shipping an instrument to your service center and ordering spare parts.

Please contact your local Rohde & Schwarz service center if you need service or repair work of your equipment or to order spare parts. The list of the Rohde & Schwarz representatives is provided at the beginning of this service manual. You can find the current address of your representative on our homepage www.rohde-schwarz.com. Navigate to Service & Support / Service Locations.

Shipping the Instrument

We require the following information in order to answer your inquiry fast and correctly and to determine whether the warranty is still valid for your instrument:

- Instrument model
- Serial number
- Firmware version
- Must the instrument be returned with this firmware?
- Detailed error description in case of repair
- Indication of desired calibration
- Contact person for possible questions

In some countries, an RMA process is available for the return shipment of the instrument. For details, contact your local representative.

When shipping the instrument, be careful to provide for sufficient mechanical and antistatic protection.

- Use the original packaging for transporting or shipping the instrument. The protective caps for the front and rear prevent damage to the operating elements and the connectors.
- If you do not use the original packaging, provide for sufficient padding to prevent the instrument from slipping inside the box. Wrap antistatic packing foil around the instrument to protect it from electrostatic charging.

Rohde & Schwarz offers repair and calibrations of the test systems it produces. The calibration documentation fulfills ISO 17025 requirements.

Shipping Defective Modules

Also when shipping a module, be careful to provide for sufficient mechanical and antistatic protection.

- Ship the module in a sturdy, padded box.
- Wrap the module in antistatic foil.

If the packaging is only antistatic but not conductive, additional conductive packaging is required. The additional packaging is not required if the tightly fitting packaging is conductive.

Exception:

If the module contains a battery, the tightly fitting packaging must always consist of antistatic, non-chargeable material to protect the battery from being discharged.

Ordering Spare Parts

To deliver spare parts promptly and correctly, we need the following information:

- Stock number (see list of spare parts in chapter "Documents")
- Designation
- Component number according to list of spare parts
- Number of pieces
- Instrument type for which the spare part is needed
- Instrument stock number
- Instrument serial number
- Contact person for possible questions

Refurbished Modules

Refurbished modules are an economical alternative to original modules. Bear in mind that refurbished modules are not new, but repaired and fully tested parts. They may have traces from use, but they are electrically and mechanically equivalent to new modules.

Your Rohde & Schwarz representative will be happy to inform you about which modules are available as refurbished modules.

Taking Back Defective Replaced Modules

Defective modules of the replacement program which cannot be repaired are taken back within three months following delivery. A repurchasing value is credited.

Excluded are parts which cannot be repaired, e.g. printed boards that are burnt, broken or damaged by attempts to repair them, incomplete modules, and parts with severe mechanical damage.

Please return the defective replacement modules, together with the accompanying document for returned merchandise, which you received with the spare module. We need the following information:

- Stock number, serial number and designation of the removed part
- Detailed error description
- Stock number, serial number and type of instrument from which the module was removed
- Date of removal
- Name of the engineer/technician who replaced the module
- R&S ordering number
- Service reference number (if available)

Table of Contents – Chapter 1 "Performance Test"

1 Performance Test	1.1
Preliminary Remarks	1.1
Test Equipment and Accessories	1.2
Performance Test	1.4
Checking the Frequency Uncertainty	1.4
Checking the Harmonics	1.5
Checking the Maximum Output Power.....	1.6
Checking the Accuracy of Output Power.....	1.7
Checking the Output Linearity	1.8
Checking the Power Measurement Uncertainty	1.9
Checking the Input Linearity	1.10
Checking the Input Noise Level.....	1.11
Checking the Matching (raw).....	1.12
Checking the Dynamic Range.....	1.13
Checking the Dynamic Range reduced due to Spurious	1.14
Checking the DC Measurement Inputs	1.15
Checking the optional R&S ZVB20-B80 Low Frequency Extension	1.16
Checking the optional R&S ZVB20-B81 External Testset.....	1.17
Performance Test Report	1.18

1 Performance Test

Preliminary Remarks

- The required characteristics of the network analyzer are checked after a warm-up time of at least 60 minutes; this ensures that the guaranteed data is met.
- The values stated in the following sections are not guaranteed data; only the specifications in the data sheet are binding.
- The values in the data sheet are guaranteed limits. Because of the measurement errors that arise, these limits must be increased to encompass the tolerances of the measuring equipment used for the performance test.
- Entries for the measurement are represented in the following way:

[<KEY>] Press a front-panel key, e.g. [**SPAN**]

[<SOFTKEY>] Press a softkey, e.g. [MARKER → PEAK]

[<nn unit>] Enter a value + terminate the entry with a unit, e.g. [**12 kHz**]

Consecutive entries are separated with a [:], e.g. [**Meas Bandwidth** : 1 kHz]

Test Equipment and Accessories

Item	Type of equipment	Recommended characteristics or features	Recommended model	R&S Order No.	Application
1	Spectrum analyzer	a) Counter mode: Min. resolution: 100 Hz Max. rel. frequency deviation: 10^{-6} b) Linearity Max. departure from linearity (2σ): 0.06 dB c) Frequency response: 50 MHz to 4 GHz: < 1 dB 4 GHz to 8 GHz: < 1.5 dB 8 GHz to 20 GHz: < 2 dB	R&S FSU 26	1129.9003.26	Frequency uncertainty Harmonics Output linearity Input linearity
2	Power sensor	N, 50 Ω . 300 kHz to 8 GHz RSS error < 0.1 dB VSWR < 1.2	R&S NRP-Z51	1138.0005.02	Max. output power Accuracy of output power Power measurement uncertainty on R&S ZVB4/8
2	Power sensor	3.5mm, 50 Ω . 10 MHz to 20 GHz RSS error < 0.1 dB VSWR < 1.25	R&S NRP-Z55	1138.2008.02	Max. output power Accuracy of output power Power measurement uncertainty on R&S ZVB14/20
2	Power meter	300 kHz to 20 GHz	R&S NRVD + Sensor R&S ZV-Z51	0857.8008.02 0857.9004.02	Max output power Accuracy of output power Power measurement uncertainty
4	Calibration kit	N, 50 Ω . 300 kHz to 8 GHz.	R&S ZV-Z21	1085.7099.02	Input linearity Matching port 1 to port 4 Input noise level on R&S ZVB4/8
4	Calibration kit	3.5 mm, 50 Ω . 10 MHz to 20 GHz.	R&S ZV-Z32	1134.4293.02	Input linearity Matching port 1 to port 4 Input noise level on R&S ZVB14/20
5	Signal generator	300 kHz to 20 GHz, Power = -40 dBm to 10 dBm	R&S SMR27 with Option R&S SMR-B15 R&S SML01	1104.0002.27 1104.4989.02 1090.3000.11	Power measurement uncertainty
6	Power splitter	N, 50 Ohm, $\Gamma_{eq} < 0.05$ (50 MHz to 8 GHz) Output tracking < 0.15 dB	Weinschel 1870A	-	Power measurement uncertainty
6	Power splitter	3.5mm, 50 Ohm, Output tracking < 0.25 dB	Weinschel 1593	-	Power measurement uncertainty
7	Test cable	N(male) – N(male), approx. 1.5 m			Frequency uncertainty Harmonics Matching port 1 to port 4 Power measurement uncertainty Input linearity on R&S ZVB4/8

Item	Type of equipment	Recommended characteristics or features	Recommended model	R&S Order No.	Application
7	Test cable	3.5mm(male) – 3.5 mm (female), approx. 1.5 m			Frequency uncertainty Harmonics Matching port 1 to port 4 Power measurement uncertainty Input linearity on R&S ZVB14/20
8	BNC cable	Male – male, approx. 1.5 m			General: Device synchronisation
9	DC power supply	–12 V to +12 V	R&S NGSM 32/10	0192.0810.31	DC meas inputs
10	Multimeter	MU < 0.2%, DC range 1 V, 10 V	R&S URE3	0350.5315.03	DC meas inputs
11	Conn. Cables for DC inputs		R&S ZV–Z71	1164.1005.02	DC meas inputs

Performance Test

Compare with data sheet

Checking the Frequency Uncertainty

Instrument:	Spectrum analyzer (see Chapter "Test Equipment", Item1) Test cable (see Chapter "Test Equipment", Item7)
Test setup:	Connect the spectrum analyzer to (port 2 to port 4)
Spectrum analyzer settings:	<ul style="list-style-type: none">– [PRESET]– [FREQ : 1 GHz]– [SPAN : 50 kHz]– [BW : MANUAL RES BW : 10 kHz]– [MARKER : MARKER MODE : FREQ COUNT]– [AMPT : REF LEVEL : 10 dBm]
R&S ZVB settings	<ul style="list-style-type: none">– Select [System : Internal Reference] – [Preset]– [Meas :Wave Quantities: a1 Src Port 1]– [Sweep : Sweep Type : CW Mode : CW Frequency : 1 GHz; Power : 0 dBm]– [Sweep : Single : Restart]
Measurement:	Read off the frequency indicated by the marker. Frequency deviation = marker value – 1 GHz Max. frequency deviation..... see Performance Test Report

Checking the Harmonics

Instrument:	Spectrum analyzer (see Chapter "Test Equipment", Item1) Test cable (see Chapter "Test Equipment", Item7)
Test setup:	Connect the spectrum analyzer to port1 (port 2 to port 4)
Spectrum analyzer settings:	<p>Note: Synchronize the reference oscillators in the spectrum analyzer and in the R&S®ZVB.</p> <ul style="list-style-type: none"> – [PRESET] – [FREQ : f_{GEN}, $2 * f_{GEN}$, $3 * f_{GEN}$ *] – [SPAN : ZERO SPAN] – [BW : MANUAL RES BW : 100 Hz] – [MARKER : DETECTOR : RMS] – [AMPT : REF LEVEL : 10 dBm] <p>* For measurement frequencies, see Performance Test Report {fGEN}.</p>
R&S ZVB settings:	<ul style="list-style-type: none"> – [Preset] – [Meas : Wave Quantities: a1 Src Port 1 (a2 Src Port 2, a3 Src Port 3, a4 Src Port 4)] – [Sweep : Sweep Type : CW Mode : CW Frequency : {fGEN*} ; Power : 8 dBm] – [Sweep : Single : Restart] <p>* For measurement frequencies, see Performance Test Report {fGEN}.</p>
Measurement:	Read off the levels $L_{n*f_{gen}}$ ($n = 1, 2, 3$) indicated by the spectrum analyzer's markers.
Calculation:	$\text{Harmonics} = L_{n*f_{gen}} - L_{f_{gen}} - \text{cable loss (in dB)}$ <p>The cable loss corresponds to the S_{21} of the test cable used between the fundamental and the measured harmonic (S_{21} is negative).</p>

Checking the Maximum Output Power

- Instrument: Power sensor or
Power meter with power sensor
(see Chapter "Test Equipment", Item2)
- Test setup: Connect power sensor to port1 (port 2 to port 4)
- Power sensor settings: For measurement frequencies, see Performance Test Report {f_{GEN}*}.
- R&S ZVB settings:
- [**Preset**]
 - [**Meas** : Wave Quantities: a1 Src Port 1
(a2 Src Port 2 to a4 Src Port 4)]
 - [**Sweep** : Sweep Type : CW Mode :
CW Frequency : {f_{GEN}*} ; Power : **16 dBm**]
 - [**Sweep** : Single : **Restart**]
- * For measurement frequencies see the Performance Test Report {f_{GEN}}.
- Measurement: Read off the level indicated by the power meter.
Max. power see Performance Test Report

Checking the Accuracy of Output Power

Instrument:	Power sensor or Power meter with power sensor (see Chapter "Test Equipment", Item2)
Test setup:	Connect the power sensor to port 1 (port 2 to port 4)
Power sensor settings:	For measurement frequencies, see Performance Test Report { f_{GEN}^* }.
R&S ZVB settings:	<ul style="list-style-type: none">- [Preset]- [Meas :Wave Quantities: a1 Src Port 1 (a2 Src Port 2, a3 Src Port 3, a4 Src Port 4)]- [Sweep : Sweep Type : CW Mode : CW Frequency : {f_{GEN}^*} ; Power : -10 dBm]- [Mode : ALC : On]- [Sweep : Single : Restart] <p>* For measurement frequencies, see Performance Test Report {f_{GEN}^*}.</p>
Measurement:	Read off the levels indicated by the power sensor Level deviation = $L_{SENSOR} - (-10 \text{ dBm})$

Checking the Output Linearity

Instrument:	Spectrum analyzer (see Chapter "Test Equipment", Item1) Test cable (see Chapter "Test Equipment", Item7)
Test setup:	Connect the spectrum analyzer to port 1(port 2 to port 4)
Spectrum analyzer settings:	<p>Note: Synchronize the reference oscillators in the spectrum analyzer and in the R&S®ZVB :</p> <ul style="list-style-type: none"> - [PRESET] - [FREQ : f_{GEN}^*] - [SPAN : ZERO SPAN] - [BW : MANUAL RES BW : 100 Hz] - [MARKER : DETECTOR : RMS] - [AMPT : REF LEVEL : 5 dBm] - [Mode : ALC : On] <p>* For measurement frequencies, see Performance Test Report {fGEN}.</p>
R&S®ZVB settings:	<ul style="list-style-type: none"> - [Preset] - [Meas : Wave Quantities: a1 Src Port 1 (a2 Src Port 2, a3 Src Port 3, a4 Src Port 4)] - [Sweep : Sweep Type : CW Mode : CW Frequency : {f_{GEN}^*} ; Power : {I_{GEN}^*}] - [Sweep : Single : Restart] <p>* For measurement frequencies {fGEN} and levels {I_{GEN}}, see Performance Test Report</p>
Measurement:	Read the spectrum analyzer's marker values (level L) .
Calculation:	<p>The measured values are referred to the level at the R&S ZVB setting of -10 dBm. Calculating the generator level linearity:</p> <p>Level linearity = $L - L_{@-10dBm} - \text{step width (in dB)}$</p> <p>Step width = $I_{gen} - (-10 \text{ dBm})$ (reference)</p>

Checking the Power Measurement Uncertainty

Instrument:	<p>Power sensor or Power meter with power sensor (see Chapter "Test Equipment", Item2)</p> <p>Signal generator (see Chapter "Test Equipment", Item5)</p> <p>Power splitter (see Chapter "Test Equipment", Item6)</p> <p>Calibration kit (see Chapter "Test Equipment", Item4)</p> <p>Test cable (see Chapter "Test Equipment", Item7)</p>
Preparation/ test setup:	<p>Connect the signal generator to the power-splitter input using the test cable.</p> <p>Connect the power sensor to a power-splitter output</p> <p>Connect the other power-splitter output to port1 (port2 to port 4) using an adapter from the calibration kit</p> <p>The reference oscillators in the signal generator and in the R&S ZVB must be synchronized.</p>
R&S®ZVB settings:	<ul style="list-style-type: none"> - [Preset] - [Meas : Wave Quantities: b1 Src Port 1 (b2 Src Port 2, b3 Src Port 3, b4 Src Port 4)] - [Power : RF Off] - [Meas Bandwidth : 100 Hz] - [Marker] - [Sweep : Sweep Type : CW Mode : CW Frequency : {f_{GEN}*}] - [Sweep : Single : Restart] <p>* For the measurement frequencies, see Performance Test Report {f_{GEN}}.</p>
Measurement:	<p>Signal generator : CW Mode, Frequency: f_{gen} Signal-generator level: -5 dBm</p> <p>Adjust the signal-generator level so that the power meter reads 0 dB +/- 0.2 dB</p> <p>Determine the signal-generator level that gives -10 dBm at the splitter output. This level is required for the following measurement, "Checking Receiver Linearity".</p> <p>Read off the power meter display and the R&S ZVB marker values.</p> <p>Level error = L_{ZVB} - L_{PS}</p>

Checking the Input Linearity

Instrument: Calibration kit (see Chapter "Test Equipment", Item4)

R&S®ZVB settings:

- [**Preset**]
- [**Meas** : Ratios: b1/a1 Src Port 1]
- [**Meas** : Ratios: b2/a2 Src Port 2]
- [**Meas** : Ratios: b3/a3 Src Port 3]
- [**Meas** : Ratios: b4/a4 Src Port 4]
- [**Meas Bandwidth** : 10 Hz]
- [**Marker**]
- [**Sweep** : Sweep Type : Power : Start –40dBm : Stop 10dBm :
 CW Frequency : {f_{GEN}*}]
- [**Sweep** : Single : **Restart**]

* For measurement frequencies, see Performance Test Report {fGEN}

1. Test setup: Connect a open male to port 1 (port 2 to port 4)

1. Measurement:

- [**Trace Funct**]
- [**Data → Mem**]
- [**Show Mem** : off]

2. Test setup: Connect a short male to port 1 (port 2 to port 4)

2. Measurement:

- [**Math = Data/Mem** : on]

Set **Ref Marker** to –10dBm

Select **Delta Mode**

Set **Marker1** to –40dBm up to +10dBm by 5dB steps

Read off the differences of the Marker Values displayed by the R&S ZVB

Checking the Input Noise Level

Test equipment	Calibration kit (see Chapter "Test Equipment", Item4)
Test setup:	Connect the Match Male from the calibration kit to port 1 (port 2 to port 4)
R&S®ZVB settings:	<ul style="list-style-type: none">- [Preset]- [Meas : Wave Quantities: b1 Src Port 1 (b2 Src Port 2, b3 Src Port 3, b4 Src Port 4)]- [Power : RF Off]- [Meas Bandwidth : 10 Hz]- [Marker]- [Sweep : Sweep Type : CW Mode : CW Frequency : {f_{GEN}*}]- Service Function 1.0.0.1.1 (see chapter 3 'Service Functions', Service Level 2)- [Measure : Wave Quantities : More Wave Quantities... : Properties : Detector : RMS: Meas. Time: 500ms]- [Sweep : Single : Restart] <p>* For measurement frequencies, see Performance Test Report {fGEN}.</p>
Measurement:	Read off the noise level indicated by the markers on the DUT.

Checking the Matching (raw)

Instrument:	Calibration kit (see Chapter "Test Equipment", Item4) Test cable (see Chapter "Test Equipment", Item7)
1. Preparation/ test setup:	Connect the test cable to port 1 on the R&S®ZVB and perform a 1–port calibration at the end of the cable. Connect the end of the test cable to port 2 (port3, port 4) on the R&S®ZVB.
R&S®ZVB settings:	<ul style="list-style-type: none">– [Meas : S11]– [Marker]– [Add Channel + Trace]– [Meas : S22 (S33, S44)]– [Power : –40 dBm]– [Trace Funct]– [Show Data : off]– [Trace Select : Trc 1]
1. Measurement	Read off the network analyzer's marker values (for marker frequencies see Performance Test Report)
R&S®ZVB settings:	<ul style="list-style-type: none">– [Power : –40 dBm]– [Trace Funct]– [Show Data : off]– [Trace Select : Trc 2]– [Trace Funct]– [Show Data : on]– [Meas : S22]– [Marker]
2. Preparation/ test setup:	Set port 2 power to –10 dBm Connect the test cable to port 2 on the R&S®ZVB and perform a 1–port calibration at the end of the cable. Connect the end of the test cable to port 1 on the R&S®ZVB.
2. Measurement	Read off the network analyzer's marker values (for marker frequencies see Performance Test Report)

Checking the Dynamic Range

Test equipment:	Calibration kit N (see Chapter "Test Equipment", Item 4)
Test setup:	Connect Short Male to port1 and port 2 (port 3 and port 4) (use Short Female with Through Male as a second Short Male)
R&S®ZVB settings:	<ul style="list-style-type: none"> - [Preset] - [Meas : Ratios : b1/a2 Drive Port 2] [Meas : Ratios: b2/a1 Drive Port 1] [Meas : Ratios: b3/a4 Drive Port 4] [Meas : Ratios: b4/a3 Drive Port 3] - [Power : Max. spec. Power] - [Meas Bandwidth : 10 Hz] - [Marker] - [Sweep : Sweep Type : CW Mode : CW Frequency : {f_{GEN}*}] - Service Function 1.0.0.1.1 (see chapter 3 "Service Functions", Service Level 2) - [Measure : Wave Quantities : More Wave Quantities... : Properties : Detector : RMS: Meas. Time: 500ms] - [Sweep : Single : Restart] <p>* For measurement frequencies, see Performance Test Report {fGEN}.</p>
Measurement:	Read off marker value
Calculation:	Nominal dynamic range: see Performance Test Report

Checking the Dynamic Range reduced due to Spurious

Only with Instruments fitted with Synthesizers 1145.xxxx

Test equipment:	Calibration kit N (see Chapter "Test Equipment", Item4)
Test setup:	Connect Short Male to port1 and port 2 (port 3 and port 4) (use Short Female with Through Male as a second Short Male)
R&S®ZVB settings:	<ul style="list-style-type: none"> - [Preset] - [Meas : Ratios : b1/a2 Drive Port 2] [Meas : Ratios: b2/a1 Drive Port 1] [Meas : Ratios: b3/a4 Drive Port 4] [Meas : Ratios: b4/a3 Drive Port 3] - [Start : 16 MHz] - [Number of Points : 500] - [Power : 16 dBm] - [Meas Bandwidth : 1000 Hz] - [Marker] - [Sweep : Sweep Type : CW Mode : CW Frequency : {f_{GEN}*}] - Service Function 1.0.0.1.1 (see chapter 3 'Service Functions', Service Level 2) - [Measure : Wave Quantities : More Wave Quantities... : Properties : Detector : RMS: Meas. Time: 500ms] - [Sweep : Single : Restart] <p>* For measurement frequencies, see Performance Test Report {f_{GEN}}.</p>
Measurement:	Read off marker value
Calculation:	Nominal dynamic range: see Performance Test Report

Checking the DC Measurement Inputs

Test equipment:	DC Power Supply NGSM 32/10 (see Chapter "Test Equipment", Item9) Multimeter R&S URE3 (see Chapter "Test Equipment", Item10) DC cable (see Chapter "Test Equipment", Item11)
Test setup:	Connect the Power Supply to the Input DC MEAS 1V (DC MEAS 10V) of the R&S ZVB using the DC cable.
R&S®ZVB settings:	– [Preset] For DC Meas 1 V: – [Meas : More : DC Inputs : DC Meas ±1 V] – [Format : Real] – [Scale : Scale/Div : .25 x1] – [Marker] For DC Meas 10 V: – [Meas : More : DC Inputs : DC Meas ±10 V] – [Format : Real] – [Scale : Scale/Div : 2.5 x1] – [Marker]
Measurement:	Set Power Supply to DC values U_{DC} using Multimeter R&S URE (DC values see Performance Test Report) and connect it to pos. and neg. input. Read off the DC level $U_{DC\ ZVB}$ indicated by the marker.
Calculation:	Deviation = $U_{DC} - U_{DC\ ZVB}$

Checking the optional R&S ZVB20-B80 Low Frequency Extension

Test equipment:	Test port cable
Test Setup:	Connect test port cable between: a) Test Port 1 and REF IN 1 b) Test Port 1 and MEAS IN 1 c) Test Port 2 and REF IN 2 d) Test Port 2 and MEAS IN 2
R&S® ZVAB settings:	- [PRESET] - [START FREQUENCY : 2 MHz] - [STOP FREQUENCY : 100 MHz] - [MEAS BANDWIDTH : 1 kHz] - [SWEEP : SWEEP TYPE : LOG FREQUENCY] - [MARKER : MARKER 1: 2 MHz] - [MARKER : MARKER 2: 10 MHz] a) - [MEAS : WAVE QUANTITIES : a1 SRC PORT 1] b) - [MEAS : WAVE QUANTITIES : b1 SRC PORT 1] c) - [MEAS : WAVE QUANTITIES : a2 SRC PORT 2] d) - [MEAS : WAVE QUANTITIES : b2 SRC PORT 2]
Measurement:	Read out the indicated magnitude value of the two markers for each of the four cases a) to d). The difference may not exceed 25 dB.

Checking the optional R&S ZVB20-B81 External Testset

- Test equipment: R&S ZVA24 with option R&S ZVA24-B16 and test port cable, two Short standards, and a Match standard.
- Test Setup: Connect R&R ZVB20-B81 with R&R ZVA24 and
 a) connect Shorts at PORT 1 and PORT 2 of R&S ZVB20-B81
 b) connect Match at PORT 1 or PORT 2 respectively of R&S ZVB20-B81
 c) connect test port cable between PORT 1 and PORT 2 of R&S ZVB20-B81
 d) connect Shorts at PORT 1 and PORT 2 of R&S ZVB20-B81
- R&S® ZVAB settings:
- [**PRESET**]
 - [**STOP FREQUENCY** : 9 GHz]
 - [**MEAS BANDWIDTH** : 1 kHz]
- a) - [**MEAS** : **RATIO** : b1/a1 SRC PORT 1] and [b2/a2 SRC PORT 2]
 - [**TRACE FUNCTION** : DATA → MEM: MATH=DATA/MEM]
- b) read out the indicated directivity and check values
- c) - [**POWER** : +20 dBm]
 - [**MEAS** : **RATIO** : b2/a1 SRC PORT 1] and [b1/a2 SRC PORT 2]
 - [**TRACE FUNCTION** : DATA → MEM: MATH=DATA/MEM]
- d) - [**MEAS BANDWIDTH** : 10 Hz]
 - [**MEAS** : **Detector**: RMS, Meas Time: 1 s]
 read out the indicated dynamic and check values
- Specifications:
- Directivity:**
- | | |
|-----------------|--------|
| 10 MHz to 4 GHz | >20 dB |
| 4 GHz to 6 GHz | >8 dB |
| 6 GHz to 8 GHz | >6 dB |
| 8 GHz to 9 GHz | >4 dB |
- Dynamic range:**
- | | |
|--------------------|---------|
| 10 MHz to 100 MHz | >60 dB |
| 100 MHz to 700 MHz | >80 dB |
| 700 MHz to 6 GHz | >100 dB |
| 6 GHz to 9 GHz | >80 dB |

Performance Test Report

Table 1–1: Performance Test Report

ROHDE & SCHWARZ	Performance Test Report	R&S ZVB	Version
Model (R&S ZVB4 / R&S ZVB8/R&S ZVB14 / R&S ZVB20) Item number: 1045. Serial number Tested by: Date: Signature:			

General: All Tables apply to port1; values for ports 2 to 4 are identical.

Parameter	Covered on	Min. value	Actual value	Max. value	Unit	Measurement tolerance
Frequency deviation @ 1 GHz With Option R&S ZVAB–B4	Page 1.4	– 8000	_____	+ 8000	Hz	1 Hz
Port __ Harmonics Source power +8dBm Freq. Harmonics	Page 1.5				dBc	1 dB
50 MHz 100 MHz 150 MHz			_____	–20		
			_____	–20		
100 MHz 200 MHz 300 MHz			_____	–20		
			_____	–20		
200 MHz 400 MHz 600 MHz			_____	–20		
			_____	–20		
500 MHz 1000 MHz 1500 MHz			_____	–20		
			_____	–20		
750 MHz 1500 MHz 2250 MHz			_____	–20		
			_____	–20		
1 GHz 2 GHz 3 GHz			_____	–20		
			_____	–20		
1.5 GHz 3 GHz 4.5 GHz			_____	–20		
			_____	–20		
2 GHz 4 GHz 6 GHz			_____	–20		
			_____	–20		

Parameter	Covered on	Min. value	Actual value	Max. value	Unit	Measurement tolerance
Port __	Page 1.5				dBc	1 dB
Harmonics						
Source power +8 dBm						
Freq. Harmonics						
2.1 GHz 4.2 GHz			_____	-20		
6.3 GHz			_____	-20		
2.5 GHz 5.0 GHz			_____	-20		
7.5 GHz			_____	-20		
3.0 GHz 6.0 GHz			_____	-20		
9.0 GHz			_____	-20		
3.5 GHz 7 GHz			_____	-20		
10.5 GHz			_____	-20		
4.0 GHz 8.0 GHz			_____	-20		
12.0 GHz			_____	-20		
R&S ZVB8, R&S ZVB14, R&S ZVB20:						
4.1 GHz 8.2 GHz			_____	-20		
12.3 GHz			_____	-20		
5.0 GHz 10.0 GHz			_____	-20		
15.0 GHz			_____	-20		
5.04 GHz 10.08 GHz			_____	-20		
15.12 GHz			_____	-20		
5.05 GHz 10.10 GHz			_____	-20		
15.15 GHz			_____	-20		
6.0 GHz 12.0 GHz			_____	-20		
18.0 GHz			_____	-20		
6.35 GHz 12.70 GHz			_____	-20		
19.05 GHz			_____	-20		
6.36 GHz 12.72 GHz			_____	-20		
19.08 GHz			_____	-20		
7.0 GHz 14.0 GHz			_____	-20		
21.0 GHz			_____	-20		
8.0 GHz 16.0 GHz			_____	-20		
24.0 GHz			_____	-20		
R&S ZVB14, R&S ZVB20:						
9.0 GHz 18.0 GHz			_____	-20		
11.0 GHz 22.0 GHz			_____	-20		

Parameter	Covered on	Min. value	Actual value	Max. value	Unit	Measurement tolerance
Port __ Max. output power w.o. Opt. B21 /B22/ B23	Page 1.6				dBm	1 dB
Test frequency						
R&S ZVB4 and ZVB8:						
300 kHz		10	_____			
1 MHz		10	_____			
2 MHz		10	_____			
5 MHz		10	_____			
ZVB4/8 (ZVB14/20):						
10 MHz		10 (10)	_____			
20 MHz		10 (10)	_____			
50 MHz		13 (10)	_____			
100 MHz		13 (10)	_____			
200 MHz		13 (10)	_____			
500 MHz		13 (10)	_____			
750 MHz		13 (10)	_____			
1.0 GHz		13 (10)	_____			
1.5 GHz		13 (10)	_____			
2.0 GHz		13 (10)	_____			
2.1 GHz		13 (10)	_____			
2.5 GHz		13 (10)	_____			
3.0 GHz		13 (10)	_____			
3.5 GHz		13 (10)	_____			
4.0 GHz		13 (10)	_____			
ZVB8, ZVB14, ZVB20:						
4.1 GHz		10	_____			
4.5 GHz		10	_____			
5.0 GHz		10	_____			
5.05 GHz		10	_____			
5.7 GHz		10	_____			
6.0 GHz		10	_____			
6.35 GHz		10	_____			
6.36 GHz		10	_____			
7.0 GHz		10	_____			
ZVB8 only:						
7.5 GHz		8	_____			
8.0 GHz		8	_____			
ZVB14, ZVB20:						
7.5 GHz		10	_____			
8.0 GHz		10	_____			
8.1 GHz		10	_____			
10.0 GHz		10	_____			
10.1GHz		10	_____			
12.6 GHz		10	_____			
12.7 GHz		10	_____			
ZVB20 only:						
16.0 GHz		5	_____			
16.1 GHz		5	_____			
18.0 GHz		5	_____			
20.0GHz		5	_____			

Parameter	Covered on	Min. value	Actual value	Max. value	Unit	Measurement tolerance
Port __	Page 1.				dBm	1 dB
Max. output power w. Opt. B21 /B22/ B23						
Test frequency						
R&S ZVB4 and ZVB8:						
300 kHz		2	_____			
1 MHz		2	_____			
2 MHz		2	_____			
5 MHz		2	_____			
10 MHz		2	_____			
20 MHz		2	_____			
50 MHz		5	_____			
100 MHz		5	_____			
200 MHz		5	_____			
500 MHz		5	_____			
750 MHz		5	_____			
1.0 GHz		5	_____			
1.5 GHz		5	_____			
2.0 GHz		5	_____			
2.1 GHz		5	_____			
2.5 GHz		5	_____			
3.0 GHz		5	_____			
3.5 GHz		5	_____			
4.0 GHz		5	_____			
R&S ZVB8 only:						
4.1 GHz		2	_____			
4.5 GHz		2	_____			
5.0 GHz		2	_____			
5.05 GHz		2	_____			
5.7 GHz		2	_____			
6.0 GHz		2	_____			
6.35 GHz		2	_____			
6.36 GHz		2	_____			
7.0 GHz		2	_____			
7.5 GHz		0	_____			
8.0 GHz		0	_____			

Parameter	Covered on	Min. value	Actual value	Max. value	Unit	Measurement tolerance
Port __	Page 1.7				dB	0. dB
Power Uncertainty output power -10 dBm						
Test frequency						
R&S ZVB4 and ZVB8:						
300 kHz		- 2	_____	2		
1 MHz		- 2	_____	2		
2 MHz		- 2	_____	2		
5 MHz		- 2	_____	2		
ZVB4/8 (ZVB14/20):						
10 MHz		- 2 (-3)	_____	2 (3)		
20 MHz		- 2 (-3)	_____	2 (3)		
ZVB4/8/14/20:						
50 MHz		- 0.8	_____	0.8		
100 MHz		- 0.8	_____	0.8		
200 MHz		- 0.8	_____	0.8		
500 MHz		- 0.8	_____	0.8		
750 MHz		- 0.8	_____	0.8		
1.0 GHz		- 0.8	_____	0.8		
1.5 GHz		- 0.8	_____	0.8		
2.0 GHz		- 0.8	_____	0.8		
2.1 GHz		- 0.8	_____	0.8		
2.5 GHz		- 0.8	_____	0.8		
3.0 GHz		- 0.8	_____	0.8		
3.5 GHz		- 0.8	_____	0.8		
4.0 GHz		- 0.8	_____	0.8		
ZVB8, ZVB14, ZVB20:						
4.1 GHz		- 0.8	_____	0.8		
4.5 GHz		- 0.8	_____	0.8		
5.0 GHz		- 0.8	_____	0.8		
5.05 GHz		- 0.8	_____	0.8		
5.7 GHz		- 0.8	_____	0.8		
6.0 GHz		- 0.8	_____	0.8		
6.35 GHz		- 0.8	_____	0.8		
6.36 GHz		- 0.8	_____	0.8		
7.0 GHz		- 0.8	_____	0.8		
7.5 GHz		- 0.8	_____	0.8		
8.0 GHz		- 0.8	_____	0.8		
ZVB14, ZVB20:						
8.1 GHz		- 0.8	_____	0.8		
10.0 GHz		- 0.8	_____	0.8		
10.1 GHz		- 0.8	_____	0.8		
12.6 GHz		- 0.8	_____	0.8		
12.7 GHz		- 0.8	_____	0.8		
ZVB20 only:						
16.0 GHz		- 0.8	_____	0.8		
16.1 GHz		- 0.8	_____	0.8		
18.0 GHz		- 0.8	_____	0.8		
20.0 GHz		- 0.8	_____	0.8		

Parameter	Covered on	Min. value	Actual value	Max. value	Unit	Measurement tolerance
Port __	Page 1.8				dB	0.06 dB
Power linearity w. o. Opt. B21/B22/B23						
Reference -10 dBm						
ZVB4/8 (ZVB14/20):						
Freq. Level						
51 MHz 20 dB		- 0.8 (-2)	_____	0.8 (2)		
15 dB		- 0.8 (-2)	_____	0.8 (2)		
10 dB		- 0.8 (-2)	_____	0.8 (2)		
5 dB		- 0.8 (-2)	_____	0.8 (2)		
-5 dB		- 0.8 (-2)	_____	0.8 (2)		
-10 dB		- 0.8 (-2)	_____	0.8 (2)		
-15 dB		- 0.8 (-2)	_____	0.8 (2)		
-20 dB		- 0.8 (-2)	_____	0.8 (2)		
ZVB4/8 -25 dB		- 0.8 (-2)	_____	0.8 (2)		
only -30 dB		- 0.8 (-2)	_____	0.8 (2)		
ZVB4/8, ZVB14/20:						
501 MHz 20 dB		- 0.8	_____	0.8		
15 dB		- 0.8	_____	0.8		
10 dB		- 0.8	_____	0.8		
5 dB		- 0.8	_____	0.8		
-5 dB		- 0.8	_____	0.8		
-10 dB		- 0.8	_____	0.8		
-15 dB		- 0.8	_____	0.8		
-20 dB		- 0.8	_____	0.8		
ZVB4/8 -25 dB		- 0.8	_____	0.8		
only -30 dB		- 0.8	_____	0.8		
1 GHz 20 dB		- 0.8	_____	0.8		
15 dB		- 0.8	_____	0.8		
10 dB		- 0.8	_____	0.8		
5 dB		- 0.8	_____	0.8		
-5 dB		- 0.8	_____	0.8		
-10 dB		- 0.8	_____	0.8		
-15 dB		- 0.8	_____	0.8		
-20 dB		- 0.8	_____	0.8		
ZVB4/8 -25 dB		- 0.8	_____	0.8		
only -30 dB		- 0.8	_____	0.8		
2 GHz 20 dB		- 0.8	_____	0.8		
15 dB		- 0.8	_____	0.8		
10 dB		- 0.8	_____	0.8		
5 dB		- 0.8	_____	0.8		
-5 dB		- 0.8	_____	0.8		
-10 dB		- 0.8	_____	0.8		
-15 dB		- 0.8	_____	0.8		
-20 dB		- 0.8	_____	0.8		
ZVB4/8 -25 dB		- 0.8	_____	0.8		
only -30 dB		- 0.8	_____	0.8		

Parameter	Covered on	Min. value	Actual value	Max. value	Unit	Measurement tolerance
Port __ Power linearity w. o. Opt. B21/B22/B23 Reference -10 dBm	Page 1.8				dB	0.06 dB
Freq. Level						
2.1 GHz 20 dB		- 0.8	_____	0.8		
15 dB		- 0.8	_____	0.8		
10 dB		- 0.8	_____	0.8		
5 dB		- 0.8	_____	0.8		
-5 dB		- 0.8	_____	0.8		
-10 dB		- 0.8	_____	0.8		
-15 dB		- 0.8	_____	0.8		
-20 dB		- 0.8	_____	0.8		
ZVB4/8 -25 dB		- 0.8	_____	0.8		
only -30 dB		- 0.8	_____	0.8		
3 GHz 20 dB		- 0.8	_____	0.8		
15 dB		- 0.8	_____	0.8		
10 dB		- 0.8	_____	0.8		
5 dB		- 0.8	_____	0.8		
-5 dB		- 0.8	_____	0.8		
-10 dB		- 0.8	_____	0.8		
-15 dB		- 0.8	_____	0.8		
-20 dB		- 0.8	_____	0.8		
ZVB4/8 -25 dB		- 0.8	_____	0.8		
only -30 dB		- 0.8	_____	0.8		
4 GHz 20 dB		- 0.8	_____	0.8		
15 dB		- 0.8	_____	0.8		
10 dB		- 0.8	_____	0.8		
5 dB		- 0.8	_____	0.8		
-5 dB		- 0.8	_____	0.8		
-10 dB		- 0.8	_____	0.8		
-15 dB		- 0.8	_____	0.8		
-20 dB		- 0.8	_____	0.8		
ZVB4/8 -25 dB		- 0.8	_____	0.8		
only -30 dB		- 0.8	_____	0.8		
4.1 GHz 20 dB		- 0.8	_____	0.8		
15 dB		- 0.8	_____	0.8		
10 dB		- 0.8	_____	0.8		
5 dB		- 0.8	_____	0.8		
-5 dB		- 0.8	_____	0.8		
-10 dB		- 0.8	_____	0.8		
-15 dB		- 0.8	_____	0.8		
-20 dB		- 0.8	_____	0.8		
ZVB8 -25 dB		- 0.8	_____	0.8		
only -30 dB		- 0.8	_____	0.8		

Parameter	Covered on	Min. value	Actual value	Max. value	Unit	Measurement tolerance
Port __ Power linearity w. o. Opt. B21/B22/B23 Reference -10 dBm	Page 1.8				dB	0.06 dB
R&S ZVB8, ZVB14, ZVB20:						
Freq. Level						
6 GHz	20 dB	-0.8	_____	0.8		
	15 dB	-0.8	_____	0.8		
	10 dB	-0.8	_____	0.8		
	5 dB	-0.8	_____	0.8		
	-5 dB	-0.8	_____	0.8		
	-10 dB	-0.8	_____	0.8		
	-15 dB	-0.8	_____	0.8		
	-20 dB	-0.8	_____	0.8		
	ZVB8 only	-25 dB	-0.8	_____	0.8	
	-30 dB	-0.8	_____	0.8		
8 GHz	18 dB	-0.8	_____	0.8		
	15 dB	-0.8	_____	0.8		
	10 dB	-0.8	_____	0.8		
	5 dB	-0.8	_____	0.8		
	-5 dB	-0.8	_____	0.8		
	-10 dB	-0.8	_____	0.8		
	-15 dB	-0.8	_____	0.8		
	-20 dB	-0.8	_____	0.8		
	ZVB8 only	-25 dB	-0.8	_____	0.8	
	-30 dB	-0.8	_____	0.8		
R&S ZVB14, ZVB20:						
9 GHz	20 dB	-0.8	_____	0.8		
	15 dB	-0.8	_____	0.8		
	10 dB	-0.8	_____	0.8		
	5 dB	-0.8	_____	0.8		
	-5 dB	-0.8	_____	0.8		
	-10 dB	-0.8	_____	0.8		
	-15 dB	-0.8	_____	0.8		
	-20 dB	-0.8	_____	0.8		
	11 GHz	20 dB	-0.8	_____	0.8	
15 dB		-0.8	_____	0.8		
10 dB		-0.8	_____	0.8		
5 dB		-0.8	_____	0.8		
-5 dB		-0.8	_____	0.8		
-10 dB		-0.8	_____	0.8		
-15 dB		-0.8	_____	0.8		
-20 dB		-0.8	_____	0.8		

Parameter	Covered on	Min. value	Actual value	Max. value	Unit	Measurement tolerance
Port __	Page 1.8				dB	0.06 dB
Power linearity w. o. Opt. B21/B22/B23 Reference -10 dBm						
Freq. Level						
13 GHz 20 dB		- 0.8	_____	0.8		
15 dB		- 0.8	_____	0.8		
10 dB		- 0.8	_____	0.8		
5 dB		- 0.8	_____	0.8		
-5 dB		- 0.8	_____	0.8		
-10 dB		- 0.8	_____	0.8		
-15 dB		- 0.8	_____	0.8		
-20 dB		- 0.8	_____	0.8		
R&S ZVB20 only:						
15 GHz 20 dB		- 0.8	_____	0.8		
15 dB		- 0.8	_____	0.8		
10 dB		- 0.8	_____	0.8		
5 dB		- 0.8	_____	0.8		
-5 dB		- 0.8	_____	0.8		
-10 dB		- 0.8	_____	0.8		
-15 dB		- 0.8	_____	0.8		
-20 dB		- 0.8	_____	0.8		
17 GHz 20 dB		- 0.8	_____	0.8		
15 dB		- 0.8	_____	0.8		
10 dB		- 0.8	_____	0.8		
5 dB		- 0.8	_____	0.8		
-5 dB		- 0.8	_____	0.8		
-10 dB		- 0.8	_____	0.8		
-15 dB		- 0.8	_____	0.8		
-20 dB		- 0.8	_____	0.8		
19 GHz 20 dB		- 0.8	_____	0.8		
15 dB		- 0.8	_____	0.8		
10 dB		- 0.8	_____	0.8		
5 dB		- 0.8	_____	0.8		
-5 dB		- 0.8	_____	0.8		
-10 dB		- 0.8	_____	0.8		
-15 dB		- 0.8	_____	0.8		
-20 dB		- 0.8	_____	0.8		
20 GHz 20 dB		- 0.8	_____	0.8		
15 dB		- 0.8	_____	0.8		
10 dB		- 0.8	_____	0.8		
5 dB		- 0.8	_____	0.8		
-5 dB		- 0.8	_____	0.8		
-10 dB		- 0.8	_____	0.8		
-15 dB		- 0.8	_____	0.8		
-20 dB		- 0.8	_____	0.8		

Parameter	Covered on	Min. value	Actual value	Max. value	Unit	Measurement tolerance
Port __ Power linearity w. Opt. B21/B22/B23 R&S ZVB4 and ZVB8 only Reference -10 dBm R&S ZVB4/8 (R&S ZVB14/20): Freq. Level 51 MHz 15 dB 10 dB 5 dB -5 dB -10 dB -15 dB -20 dB -25 dB -30 dB -35 dB -40 dB -45 dB -50 dB -55 dB -60 dB -65 dB -70 dB -75 dB -80 dB -85 dB -90 dB R&S ZVB4/8, R&S ZVB14/20: 501 MHz 15 dB 10 dB 5 dB -5 dB -10 dB -15 dB -20 dB -25 dB -30 dB -35 dB -40 dB -45 dB -50 dB -55 dB -60 dB -65 dB -70 dB -75 dB -80 dB -85 dB	Page 1.8	-0.8 (-2) -0.8 (-2) -0.8 (-2) -0.8 (-2) -0.8 (-2) -0.8 (-2) -0.8 (-2) -2 -2 -2 -2 -2 -2 -2 -2 -2 -2 -3 -3 -3 -3 -3 -0.8 -0.8 -0.8 -0.8 -0.8 -0.8 -0.8 -2 -2 -2 -2 -2 -2 -2 -2 -2 -3 -3 -3 -3	_____ _____	0.8 (2) 0.8 (2) 0.8 (2) 0.8 (2) 0.8 (2) 0.8 (2) 0.8 (2) 2 2 2 2 2 2 2 2 2 2 3 3 3 3 3 0.8 0.8 0.8 0.8 0.8 0.8 0.8 2 2 2 2 2 2 2 2 2 3 3 3 3	dB	0.06 dB

Parameter	Covered on	Min. value	Actual value	Max. value	Unit	Measurement tolerance
-90 dB	Page 1.8	- 3	_____	3	dB	0.06 dB
Port __ Power linearity w. Opt. B21/B22/B23 R&S ZVB4 and ZVB8 only Reference -10 dBm Freq. Level 1 GHz 15 dB 10 dB 5 dB -5 dB -10 dB -15 dB -20 dB -25 dB -30 dB -35 dB -40 dB -45 dB -50 dB -55 dB -60 dB -65 dB -70 dB -75 dB -80 dB -85 dB -90 dB						
2 GHz 15 dB		- 0.8	_____	0.8		
10 dB		- 0.8	_____	0.8		
5 dB		- 0.8	_____	0.8		
-5 dB		- 0.8	_____	0.8		
-10 dB		- 0.8	_____	0.8		
-15 dB		- 0.8	_____	0.8		
-20 dB		- 0.8	_____	0.8		
-25 dB		- 2	_____	2		
-30 dB		- 2	_____	2		
-35 dB		- 2	_____	2		
-40 dB		- 2	_____	2		
-45 dB		- 2	_____	2		
-50 dB		- 2	_____	2		
-55 dB		- 2	_____	2		
-60 dB		- 2	_____	2		
-65 dB		- 3	_____	3		
-70 dB		- 3	_____	3		
-75 dB		- 3	_____	3		
-80 dB		- 3	_____	3		
-85 dB		- 3	_____	3		
-90 dB		- 3	_____	3		

Parameter	Covered on	Min. value	Actual value	Max. value	Unit	Measurement tolerance
-85 dB -90 dB		-3 -3	_____ _____	3 3		
Port __ Power linearity w. Opt. B21/B22/B23 R&S ZVB4 and R&S ZVB8 only Reference -10 dBm	Page 1.8				dB	0.06 dB
Freq. Level						
2.1 GHz 15 dB		-0.8	_____	0.8		
10 dB		-0.8	_____	0.8		
5 dB		-0.8	_____	0.8		
-5 dB		-0.8	_____	0.8		
-10 dB		-0.8	_____	0.8		
-15 dB		-0.8	_____	0.8		
-20 dB		-0.8	_____	0.8		
-25 dB		-2	_____	2		
-30 dB		-2	_____	2		
-35 dB		-2	_____	2		
-40 dB		-2	_____	2		
-45 dB		-2	_____	2		
-50 dB		-2	_____	2		
-55 dB		-2	_____	2		
-60 dB		-2	_____	2		
-65 dB		-3	_____	3		
-70 dB		-3	_____	3		
-75 dB		-3	_____	3		
-80 dB		-3	_____	3		
-85 dB		-3	_____	3		
-90 dB		-3	_____	3		
3 GHz 15 dB		-0.8	_____	0.8		
10 dB		-0.8	_____	0.8		
5 dB		-0.8	_____	0.8		
-5 dB		-0.8	_____	0.8		
-10 dB		-0.8	_____	0.8		
-15 dB		-0.8	_____	0.8		
-20 dB		-0.8	_____	0.8		
-25 dB		-2	_____	2		
-30 dB		-2	_____	2		
-35 dB		-2	_____	2		
-40 dB		-2	_____	2		
-45 dB		-2	_____	2		
-50 dB		-2	_____	2		
-55 dB		-2	_____	2		
-60 dB		-2	_____	2		
-65 dB		-3	_____	3		
-70 dB		-3	_____	3		
-75 dB		-3	_____	3		

Parameter	Covered on	Min. value	Actual value	Max. value	Unit	Measurement tolerance
-80 dB	Page 1.8	-3	_____	3	dB	0.06 dB
-85 dB		-3	_____	3		
-90 dB		-3	_____	3		
Port __ Power linearity w. Opt. B21/B22/B23 R&S ZVB4 and R&S ZVB8 only Reference -10 dBm						
4 GHz 15 dB		-0.8	_____	0.8		
10 dB		-0.8	_____	0.8		
5 dB		-0.8	_____	0.8		
-5 dB		-0.8	_____	0.8		
-10 dB		-0.8	_____	0.8		
-15 dB		-0.8	_____	0.8		
-20 dB		-0.8	_____	0.8		
-25 dB		-2	_____	2		
-30 dB		-2	_____	2		
-35 dB		-2	_____	2		
-40 dB		-2	_____	2		
-45 dB		-2	_____	2		
-50 dB		-2	_____	2		
-55 dB		-2	_____	2		
-60 dB		-2	_____	2		
-65 dB		-3	_____	3		
-70 dB		-3	_____	3		
-75 dB		-3	_____	3		
-80 dB		-3	_____	3		
-85 dB		-3	_____	3		
-90 dB		-3	_____	3		
R&S ZVB8 only:						
4.1 GHz 12 dB		-0.8	_____	0.8		
10 dB		-0.8	_____	0.8		
5 dB		-0.8	_____	0.8		
-5 dB		-0.8	_____	0.8		
-10 dB		-0.8	_____	0.8		
-15 dB		-0.8	_____	0.8		
-20 dB		-0.8	_____	0.8		
-25 dB		-2	_____	2		
-30 dB		-2	_____	2		
-35 dB		-2	_____	2		
-40 dB		-2	_____	2		
-45 dB		-2	_____	2		
-50 dB		-2	_____	2		
-55 dB		-2	_____	2		
-60 dB		-2	_____	2		
-65 dB		-3	_____	3		
-70 dB		-3	_____	3		

Parameter	Covered on	Min. value	Actual value	Max. value	Unit	Measurement tolerance
-75 dB		-3	_____	3		
-80 dB		-3	_____	3		
-85 dB		-3	_____	3		
-90 dB		-3	_____	3		
Port __ Power linearity w. Opt. B21/B22/B23 Reference -10 dBm	Page 1.8				dB	0.06 dB
ZVB8 only:						
Freq. Level						
6 GHz 12 dB		-0.8	_____	0.8		
10 dB		-0.8	_____	0.8		
5 dB		-0.8	_____	0.8		
-5 dB		-0.8	_____	0.8		
-10 dB		-0.8	_____	0.8		
-15 dB		-0.8	_____	0.8		
-20 dB		-0.8	_____	0.8		
-25 dB		-2	_____	2		
-30 dB		-2	_____	2		
-35 dB		-2	_____	2		
-40 dB		-2	_____	2		
-45 dB		-2	_____	2		
-50 dB		-2	_____	2		
-55 dB		-2	_____	2		
-60 dB		-2	_____	2		
-65 dB		-3	_____	3		
-70 dB		-3	_____	3		
-75 dB		-3	_____	3		
-80 dB		-3	_____	3		
-85 dB		-3	_____	3		
-90 dB		-3	_____	3		
8 GHz 10 dB		-0.8	_____	0.8		
5 dB		-0.8	_____	0.8		
-5 dB		-0.8	_____	0.8		
-10 dB		-0.8	_____	0.8		
-15 dB		-0.8	_____	0.8		
-20 dB		-0.8	_____	0.8		
-25 dB		-2	_____	2		
-30 dB		-2	_____	2		
-35 dB		-2	_____	2		
-40 dB		-2	_____	2		
-45 dB		-2	_____	2		
-50 dB		-2	_____	2		
-55 dB		-2	_____	2		
-60 dB		-2	_____	2		
-65 dB		-3	_____	3		
-70 dB		-3	_____	3		
-75 dB		-3	_____	3		
-80 dB		-3	_____	3		
-85 dB		-3	_____	3		
-90 dB		-3	_____	3		

Parameter	Covered on	Min. value	Actual value	Max. value	Unit	Measurement tolerance
Port __	Page 1.9				dB	0.2 dB
Power measurement uncertainty						
Test frequency						
R&S ZVB4 and ZVB8:						
300 kHz		-1	_____	1		
1 MHz		-1	_____	1		
2 MHz		-1	_____	1		
5 MHz		-1	_____	1		
R&S ZVB4, ZVB8, ZVB14, ZVB20:						
10 MHz		-1	_____	1		
20 MHz		-1	_____	1		
50 MHz		-1	_____	1		
100 MHz		-1	_____	1		
200 MHz		-1	_____	1		
500 MHz		-1	_____	1		
750 MHz		-1	_____	1		
1 GHz		-1	_____	1		
1.5 GHz		-1	_____	1		
2 GHz		-1	_____	1		
2.1 GHz		-1	_____	1		
2.5 GHz		-1	_____	1		
3 GHz		-1	_____	1		
3.5 GHz		-1	_____	1		
4 GHz		-1	_____	1		
R&S ZVB8, R&S ZVB14, R&S ZVB20:						
4.1 GHz		-1	_____	1		
4.5 GHz		-1	_____	1		
5.0 GHz	-1	_____	1			
5.05 GHz	-1	_____	1			
5.7 GHz	-1	_____	1			
6.0 GHz	-1	_____	1			
6.35 GHz	-1	_____	1			
6.36 GHz	-1	_____	1			
7.0 GHz	-1	_____	1			
7.5 GHz	-1	_____	1			
8.0 GHz	-1	_____	1			
R&S ZVB14 and R&S ZVB20:						
9.0 GHz	-1	_____	1			
11.0 GHz	-1	_____	1			
13.0 GHz	-1	_____	1			
R&S ZVB20 only:						
15.0 GHz	-1	_____	1			
17.0 GHz	-1	_____	1			
19.0 GHz	-1	_____	1			
20.0 GHz	-1	_____	1			

Parameter	Covered on	Min. value	Actual value	Max. value	Unit	Measurement tolerance
Port __	Page 1.10				dB	0.06 dB
Input linearity						
Reference -10 dBm						
50 MHz 20 dB		-0.1	_____	0.1		
15 dB		-0.1	_____	0.1		
10 dB		-0.1	_____	0.1		
5 dB		-0.1	_____	0.1		
-5 dB		-0.1	_____	0.1		
-10 dB		-0.1	_____	0.1		
-15 dB		-0.1	_____	0.1		
-20 dB		-0.1	_____	0.1		
-25 dB		-0.1	_____	0.1		
-30 dB		-0.1	_____	0.1		
R&S ZVB4, ZVB8:						
500 MHz 20 dB		-0.1	_____	0.1		
15 dB		-0.1	_____	0.1		
10 dB		-0.1	_____	0.1		
5 dB		-0.1	_____	0.1		
-5 dB		-0.1	_____	0.1		
-10 dB		-0.1	_____	0.1		
-15 dB		-0.1	_____	0.1		
-20 dB		-0.1	_____	0.1		
-25 dB		-0.1	_____	0.1		
-30 dB		-0.1	_____	0.1		
R&S ZVB14, ZVB20:						
700 MHz 20 dB		-0.1	_____	0.1		
15 dB		-0.1	_____	0.1		
10 dB		-0.1	_____	0.1		
5 dB		-0.1	_____	0.1		
-5 dB		-0.1	_____	0.1		
-10 dB		-0.1	_____	0.1		
-15 dB		-0.1	_____	0.1		
-20 dB		-0.1	_____	0.1		
-25 dB		-0.1	_____	0.1		
-30 dB		-0.1	_____	0.1		
R&S ZVB14, ZVB20:						
2 GHz 20 dB		-0.3	_____	0.3		
15 dB		-0.3	_____	0.3		
10 dB		-0.1	_____	0.1		
5 dB		-0.1	_____	0.1		
-5 dB		-0.1	_____	0.1		
-10 dB		-0.1	_____	0.1		
-15 dB		-0.1	_____	0.1		
-20 dB		-0.1	_____	0.1		
-25 dB		-0.1	_____	0.1		
-30 dB		-0.1	_____	0.1		

Parameter	Covered on	Min. value	Actual value	Max. value	Unit	Measurement tolerance
Port __	Page 1.10				dB	0.06 dB
Input linearity						
Reference -10 dBm						
R&S ZVB4, ZVB8:						
4 GHz 20 dB		-0.1	_____	0.1		
15 dB		-0.1	_____	0.1		
10 dB		-0.1	_____	0.1		
5 dB		-0.1	_____	0.1		
-5 dB		-0.1	_____	0.1		
-10 dB		-0.1	_____	0.1		
-15 dB		-0.1	_____	0.1		
-20 dB		-0.1	_____	0.1		
-25 dB		-0.1	_____	0.1		
-30 dB		-0.1	_____	0.1		
R&S ZVB8 only:						
4.1 GHz 20 dB		-0.1	_____	0.1		
15 dB		-0.1	_____	0.1		
10 dB		-0.1	_____	0.1		
5 dB		-0.1	_____	0.1		
-5 dB		-0.1	_____	0.1		
-10 dB		-0.1	_____	0.1		
-15 dB		-0.1	_____	0.1		
-20 dB		-0.1	_____	0.1		
-25 dB		-0.1	_____	0.1		
-30 dB		-0.1	_____	0.1		
R&S ZVB8 only:						
8 GHz 20 dB		-0.2	_____	0.2		
15 dB		-0.2	_____	0.2		
10 dB		-0.2	_____	0.2		
5 dB		-0.2	_____	0.2		
-5 dB		-0.2	_____	0.2		
-10 dB		-0.2	_____	0.2		
-15 dB		-0.2	_____	0.2		
-20 dB		-0.2	_____	0.2		
-25 dB		-0.2	_____	0.2		
-30 dB		-0.2	_____	0.2		
R&S ZVB14, ZVB20:						
7.9 GHz 20 dB		-0.3	_____	0.3		
15 dB		-0.3	_____	0.3		
10 dB		-0.1	_____	0.1		
5 dB		-0.1	_____	0.1		
-5 dB		-0.1	_____	0.1		
-10 dB		-0.1	_____	0.1		
-15 dB		-0.1	_____	0.1		
-20 dB		-0.1	_____	0.1		
-25 dB		-0.1	_____	0.1		
-30 dB		-0.1	_____	0.1		

Parameter	Covered on	Min. value	Actual value	Max. value	Unit	Measurement tolerance
Port __ Input linearity	Page 1.10				dB	0.06 dB
Reference -10 dBm						
R&S ZVB14, ZVB20:						
8.1 GHz 15 dB		-0.3	_____	0.3		
10 dB		-0.1	_____	0.1		
5 dB		-0.1	_____	0.1		
-5 dB		-0.1	_____	0.1		
-10 dB		-0.1	_____	0.1		
-15 dB		-0.1	_____	0.1		
-20 dB		-0.1	_____	0.1		
-25 dB		-0.1	_____	0.1		
-30 dB		-0.1	_____	0.1		
14 GHz 15 dB		-0.3	_____	0.3		
10 dB		-0.1	_____	0.1		
5 dB		-0.1	_____	0.1		
-5 dB		-0.1	_____	0.1		
-10 dB		-0.1	_____	0.1		
-15 dB		-0.1	_____	0.1		
-20 dB		-0.1	_____	0.1		
-25 dB		-0.1	_____	0.1		
-30 dB		-0.1	_____	0.1		
R&S ZVB20 only:						
20 GHz 15 dB		-0.3	_____	0.3		
10 dB		-0.1	_____	0.1		
5 dB		-0.1	_____	0.1		
-5 dB		-0.1	_____	0.1		
-10 dB		-0.1	_____	0.1		
-15 dB		-0.1	_____	0.1		
-20 dB		-0.1	_____	0.1		
-25 dB		-0.1	_____	0.1		
-30 dB		-0.1	_____	0.1		

Parameter	Covered on	Min. value	Actual value	Max. value	Unit	Measurement tolerance
Port __ Input noise level	Page 1.11				dBm	
Test frequency						
R&S ZVB4 and ZVB8:						
423.450 kHz			_____	-70		-
1.12345 MHz			_____	-70		-
2.12345 MHz			_____	-70		-
5.12345 MHz			_____	-70		-
R&S ZVB4/8 (ZVB14/20):						
10.12345 MHz			_____	-70 (—)		-
20.12345 MHz			_____	-70 (—)		-
50.12345 MHz			_____	-70 (—)		-
100.12345 MHz			_____	-110 (-70)		-
200.12345 MHz			_____	-110 (-70)		-
500.12345 MHz			_____	-110 (-70)		-
750.12345 MHz			_____	-110 (-105)		-
1000.12345 MHz			_____	-110 (-105)		-
1500.12345 MHz			_____	-110 (-105)		-
2000.12345 MHz			_____	-110 (-105)		-
2100.12345 MHz			_____	-110 (-105)		-
2500.12345 MHz			_____	-110 (-105)		-
3000.12345 MHz			_____	-110 (-105)		-
3500.12345 MHz			_____	-110 (-105)		-
3999.87655 MHz			_____	-110 (-105)		-
R&S ZVB8, ZVB14, ZVB20:						
4100.12345 MHz			_____	-105		-
4500.12345 MHz			_____	-105		-
5000.12345 MHz			_____	-105		-
5050.12345 MHz			_____	-105		-
5700.12345 MHz			_____	-105		-
6000.12345 MHz			_____	-105		-
6350.12345 MHz			_____	-105		-
6360.12345 MHz			_____	-105		-
7000.12345 MHz			_____	-105		-
7500.12345 MHz			_____	-105		-
7999.87655 MHz			_____	-105		-
R&S ZVB14, ZVB20:						
9000.12345 MHz			_____	-100		-
11000.12345 MHz			_____	-100		-
13000.12345 MHz			_____	-100		-
15000.12345 MHz			_____	-100		-
17000.12345 MHz			_____	-100		-
19000.12345 MHz			_____	-100		-
19999.87655 MHz			_____	-100		-

Parameter	Covered on	Min. value	Actual value	Max. value	Unit	Measurement tolerance
Port __ Matching (raw)	Page 1.12				dB	1 dB
Test frequency R&S ZVB4, ZVB8:						
300 kHz		16	_____			
1 MHz		16	_____			
2 MHz		16	_____			
5 MHz		16	_____			
R&S ZVB4/8, (R&S ZVB14/20):						
10 MHz		16 (10)	_____			
20 MHz		16 (10)	_____			
50 MHz		16 (12)	_____			
100 MHz		16 (12)	_____			
200 MHz		16 (12)	_____			
500 MHz		16 (12)	_____			
750 MHz		16 (12)	_____			
1 GHz		16 (12)	_____			
1.5 GHz		16 (12)	_____			
2 GHz		16 (12)	_____			
2.5 GHz		16 (8)	_____			
3 GHz		16 (8)	_____			
3.5 GHz		16 (8)	_____			
4 GHz		16 (8)	_____			
R&S ZVB4/8, (R&S ZVB14/20):						
4.5 GHz		16 (8)	_____			
5 GHz		16 (8)	_____			
5.5 GHz		16 (8)	_____			
6 GHz		16 (8)	_____			
6.5 GHz		16 (8)	_____			
7 GHz		16 (8)	_____			
7.5 GHz		14 (8)	_____			
8 GHz		14 (8)	_____			
R&S ZVB14, ZVB20:						
9.0 GHz		8	_____			
11.0 GHz		8	_____			
13.0 GHz		8	_____			
R&S ZVB20 only:						
15.0 GHz		8	_____			
17.0 GHz		8	_____			
19.0 GHz		8	_____			
20.0 GHz		8	_____			

Parameter	Covered on	Min. value	Actual value	Max. value	Unit	Measurement tolerance
Port __ Dynamic range R&S ZVB4/8 2-port unit w. o. Opt. B21/22/23 Test frequency 300 kHz 1 MHz 2 MHz 5 MHz 10 MHz 20 MHz 50 MHz 100 MHz 200 MHz 500 MHz 750 MHz 1 GHz 1.5 GHz 2 GHz 2.1 GHz 2.5 GHz 3 GHz 3.5 GHz 4 GHz R&S ZVB8 only: 4.1 GHz 4.5 GHz 5 GHz 5.05 GHz 5.7 GHz 6 GHz 6.35 GHz 6.36 GHz 7 GHz 7.5 GHz 8 GHz	Page 1.13				dB	

Parameter	Covered on	Min. value	Actual value	Max. value	Unit	Measurement tolerance
Port __	Page 1.13				dB	
Dynamic range						
R&S ZVB4/8						
3–port and 4–port unit						
w. o. Opt. B21/22/23						
Test frequency						
300 kHz		80	_____			—
1 MHz		80	_____			—
2 MHz		80	_____			—
5 MHz		100	_____			—
10 MHz		100	_____			—
20 MHz		100	_____			—
50 MHz		100	_____			—
100 MHz		120	_____			—
200 MHz		120	_____			—
500 MHz		123	_____			—
750 MHz		123	_____			—
1 GHz		123	_____			—
1.5 GHz		123	_____			—
2 GHz		123	_____			—
2.1 GHz		123	_____			—
2.5 GHz		123	_____			—
3 GHz		123	_____			—
3.5 GHz		123	_____			—
4 GHz		123	_____			—
R&S ZVB8 only:						
4.1 GHz		120	_____			—
4.5 GHz	120	_____		—		
5 GHz	120	_____		—		
5.05 GHz	120	_____		—		
5.7 GHz	120	_____		—		
6 GHz	120	_____		—		
6.35 GHz	120	_____		—		
6.36 GHz	120	_____		—		
7 GHz	120	_____		—		
7.5 GHz	115	_____		—		
8 GHz	108	_____		—		

Parameter	Covered on	Min. value	Actual value	Max. value	Unit	Measurement tolerance
Port __	Page 1.13				dB	
Dynamic range						
R&S ZVB4/8						
2-port unit						
w. Opt. B21/22/23						
Test frequency						
300 kHz		72	_____			-
1 MHz		72	_____			-
2 MHz		72	_____			-
5 MHz		72	_____			-
10 MHz		92	_____			-
20 MHz		92	_____			-
50 MHz		92	_____			-
100 MHz		112	_____			-
200 MHz		112	_____			-
500 MHz		112	_____			-
750 MHz		112	_____			-
1 GHz		112	_____			-
1.5 GHz		112	_____			-
2 GHz		112	_____			-
2.1 GHz		112	_____			-
2.5 GHz		112	_____			-
3 GHz		112	_____			-
3.5 GHz		112	_____			-
4 GHz		112	_____			-
ZVB8 only:						
4.1 GHz		109	_____			-
4.5 GHz	109	_____		-		
5 GHz	109	_____		-		
5.05 GHz	109	_____		-		
5.7 GHz	109	_____		-		
6 GHz	109	_____		-		
6.35 GHz	109	_____		-		
6.36 GHz	109	_____		-		
7 GHz	109	_____		-		
7.5 GHz	107	_____		-		
8 GHz	100	_____		-		

Parameter	Covered on	Min. value	Actual value	Max. value	Unit	Measurement tolerance
Port __ Dynamic range R&S ZVB4/8 3–port and 4–port unit w. Opt. B21/22/23 Test frequency 300 kHz 1 MHz 2 MHz 5 MHz 10 MHz 20 MHz 50 MHz 100 MHz 200 MHz 500 MHz 750 MHz 1 GHz 1.5 GHz 2 GHz 2.1 GHz 2.5 GHz 3 GHz 3.5 GHz 4 GHz R&S ZVB8 only: 4.1 GHz 4.5 GHz 5 GHz 5.05 GHz 5.7 GHz 6 GHz 6.35 GHz 6.36 GHz 7 GHz 7.5 GHz 8 GHz	Page 1.13				dB	
		72	_____			–
		72	_____			–
		72	_____			–
		72	_____			–
		92	_____			–
		92	_____			–
		92	_____			–
		112	_____			–
		112	_____			–
		115	_____			–
		115	_____			–
		115	_____			–
		115	_____			–
		115	_____			–
		115	_____			–
		115	_____			–
		115	_____			–
		115	_____			–
		115	_____			–
		115	_____			–
		112	_____			–
		112	_____			–
		112	_____			–
		112	_____			–
		112	_____			–
		112	_____			–
		112	_____			–
		112	_____			–
		107	_____			–
		100	_____			–

Parameter	Covered on	Min. value	Actual value	Max. value	Unit	Measurement tolerance
Port __	Page 1.13				dB	
Dynamic range R&S ZVB14, R&S ZVB20						
Test frequency						
10 MHz		80	_____			
20 MHz		80	_____			
50 MHz		80	_____			
100 MHz		100	_____			
200 MHz		100	_____			
500 MHz		100	_____			
750 MHz		120	_____			
1 GHz		120	_____			
1.5 GHz		120	_____			
2 GHz		120	_____			
2.1 GHz		120	_____			
2.5 GHz		120	_____			
3 GHz		120	_____			
3.5 GHz		120	_____			
4 GHz		120	_____			
4.1 GHz		120	_____			
4.5 GHz		120	_____			
5 GHz		120	_____			
5.05 GHz		120	_____			
5.7 GHz		120	_____			
6 GHz		120	_____			
6.35 GHz		120	_____			
6.36 GHz	120	_____				
7 GHz	120	_____				
7.5 GHz	120	_____				
8 GHz	120	_____				
9.0 GHz	110	_____				
11.0 GHz	110	_____				
13.0 GHz	110	_____				
R&S ZVB20 only:						
15.0 GHz	110	_____				
17.0 GHz	110	_____				
19.0 GHz	110	_____				
20.0 GHz	110	_____				

Parameter	Covered on	Min. value	Actual value	Max. value	Unit	Measurement tolerance	
Port ____	Page 1.14				dB		
Dynamic range reduced due to spurious ^{*)}							
R&S ZVB4, ZVB8 only:							
Test frequency							
16 MHz		50	_____			—	
32 MHz		50	_____			—	
48 MHz		50	_____			—	
96 MHz		90	_____			—	
192 MHz		90	_____			—	
496 MHz		90	_____			—	
752 MHz		93	_____			—	
1008 MHz		93	_____			—	
1504 MHz		93	_____			—	
2000 MHz		93	_____			—	
2096 MHz		93	_____			—	
2496 MHz		93	_____			—	
3008 MHz		93	_____			—	
3504 MHz		93	_____			—	
4000 MHz		93	_____			—	
R&S ZVB8 only:							
4096 MHz		90	_____			—	
4496 MHz		90	_____			—	
5008 MHz		90	_____			—	
5056 MHz		90	_____			—	
5696 MHz		90	_____			—	
6000 MHz		90	_____			—	
6352 MHz		90	_____			—	
6368 MHz	90	_____		—			
6992 MHz	90	_____		—			
7488 MHz	85	_____		—			
8000 MHz	78	_____		—			

^{*)} Only for units with synthesizers 1145.xxx

Parameter	Covered on	Min. value	Actual value	Max. value	Unit	Measurement tolerance
Accuracy DC meas 1 V Pos. Input -1000 mV -300 mV -10 mV 10 mV 300 mV 1000 mV Neg. Input -1000 mV -300 mV -10 mV 10 mV 300 mV 1000 mV	Page 1.15	- 27.5 - 10.0 - 2.75 - 2.75 - 10.0 - 27.5 - 27.5 - 10.0 - 2.75 - 2.75 - 10.0 - 27.5	_____ _____ _____ _____ _____ _____ _____ _____ _____ _____ _____ _____	+ 27.5 + 10.0 + 2.75 + 2.75 + 10.0 + 27.5 + 27.5 + 10.0 + 2.75 + 2.75 + 10.0 + 27.5	mV	1 mV
Accuracy DC meas 10 V Pos. Input -10.0 V -3.0 V -0.1 V 0.1 V 3.0 V 10.0 V Neg. Input -10.0 V -3.0 V -0.1 V 0.1 V 3.0 V 10.0 V	Page 1.15	- 0.275 - 0.10 - 0.0275 - 0.0275 - 0.10 - 0.275 - 0.275 - 0.10 - 0.0275 - 0.0275 - 0.10 - 0.275	_____ _____ _____ _____ _____ _____ _____ _____ _____ _____ _____ _____	+ 0.275 + 0.10 + 0.0275 + 0.0275 + 0.10 + 0.275 + 0.275 + 0.10 + 0.0275 + 0.0275 + 0.10 + 0.275	V	0.01 V

Parameter	Covered on	Min. value	Actual value	Max. value	Unit	Measurement tolerance
Opt. R&S ZVB20-B80 a1(2 MHz) – a1(10 MHz) b1(2 MHz) – b1(10 MHz) a2(2 MHz) – a2(10 MHz) b2(2 MHz) – b2(10 MHz)	Page 1.16		_____	25	dB	---
			_____	25		
			_____	25		
			_____	25		
			_____	25		
Opt. R&S ZVB20-B81 Port __ Directivity Test frequency 10 MHz 20 MHz 50 MHz 100 MHz 200 MHz 500 MHz 1.0 GHz 2.0 GHz 3.0 GHz 4.0 GHz 5.0 GHz 6.0 GHz 7.0 GHz 8.0 GHz 9.0 GHz Dynamic range Test frequency 10 MHz 20 MHz 50 MHz 100 MHz 200 MHz 700 MHz 1.0 GHz 2.0 GHz 3.0 GHz 4.0 GHz 5.0 GHz 6.0 GHz 7.0 GHz 8.0 GHz 9.0 GHz	Page 1.17		_____		dB	1 dB

		20	_____		dB	---
		20	_____			
		20	_____			
		20	_____			
		20	_____			
		20	_____			
		20	_____			
		20	_____			
		20	_____			
		20	_____			
		8	_____			
		8	_____			
		6	_____			
		6	_____			
		4	_____			

		60	_____			
		60	_____			
		60	_____			
		80	_____			
		80	_____			
		100	_____			
		100	_____			
		100	_____			
		100	_____			
		100	_____			
		100	_____			
		80	_____			
		80	_____			
		80	_____			

Table of Contents - Chapter 2 "Alignment"

- 2 Alignment..... 2.3**
 - Service Menu2.3
 - Manual Alignment and Recording Correction Values2.4**
 - Test Equipment2.4
 - Aligning the Frequency Accuracy2.6
 - Aligning the DC Inputs.....2.7
 - Correction Value Recording and Factory System Error Calibration2.9
 - Installation of the Alignment Program2.9
 - Checking the Gauge.....2.9

2 Alignment

This chapter describes the alignment of the frequency reference and the recording of correction data after a board has been replaced.

The following manual alignments or corrections can be performed on the ZVB:

- Alignment of the 10-MHz reference oscillator which determines the frequency accuracy of the ZVB
- Alignment of the DC inputs
- Recording the correction values for the generators and the receivers which determine the measurement accuracy of the ZVB's absolute values.

By performing the alignment and recording the correction values, it is possible to ensure that the ZVB is meeting its specifications by correcting any deviations.

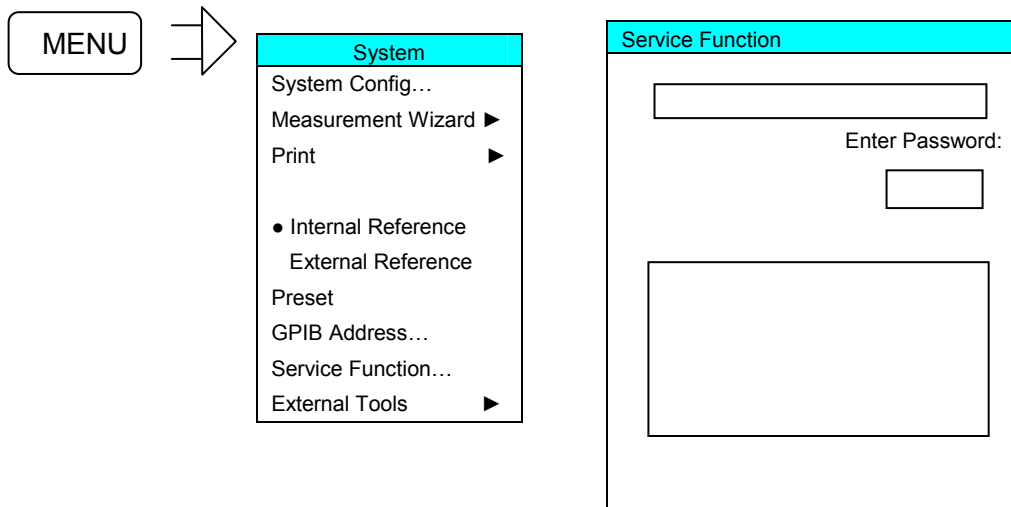
The alignments must be performed within an ambient temperature range of +22 °C to +24 °C after the appropriate warm-up time.

The ZVB meets its specs and is ready for operation when the alignment has been performed and/or correction values have been recorded and a system error calibration carried out.

Service Menu

Access to the board-alignment functions is password-protected to prevent unintentional changes to settings.

Entering the password



- Enter password 30473035.



CAUTION

The alignment shall be performed only by appropriately trained personnel because any changes made have a profound effect on the measurement accuracy of the instrument

Manual Alignment and Recording Correction Values

In the sequel, the test equipment and the instrument preparations required to manually align the ZVB and each of the alignments are described.

Preliminary remarks

The analyzer must be allowed to warm up for at least 30 minutes before alignment. This is the only way of ensuring that the guaranteed data are met.

Test Equipment

Table 2-1 Test equipment for manually aligning the R&S ZVB

Item	Type of equipment	Recommended specifications	Recommended model	R&S Order No.	Application
1	Spectrum analyzer	Counter mode: Min. resolution: 100 Hz Max. rel. frequency deviation: 10^{-6}	R&S FSU 26	1166.1660.26	Frequency accuracy of the reference oscillator
2	Signal generator	300 kHz to 20 GHz	R&S SML01 R&S SMR20 with option R&S SMR-B15	1090.3000.11 1104.0002.20 1104.4989.02	Recording correction values
3	Power meter	300 kHz to 20 GHz	R&S NRVD	0857.8008.02	Recording correction values
4	Power sensor	300 kHz to 8 GHz	R&S NRV-Z51	0857.9004.02	Recording correction values on R&S ZVB4/8
4	Power sensor	10 MHz to 20 GHz	R&S NRV-Z52	0857.9204.02	Recording correction values on R&S ZVB20
5	Power splitter	N, 50 Ohm, $\Gamma_{eq} < 0.05$ (50 MHz to 8 GHz) Output tracking < 0.15 dB	Weinschel 1870A	-	Recording correction values on R&S ZVB4/8
5	Power splitter	3.5mm, 50 Ohm, Output tracking < 0.25 dB	Weinschel 1593	-	Recording correction values on R&S ZVB20
6	PC with GPIB-Interface	Pentium, WinXP, WinNT GR AT-GPIB IEEE4888 IF PCI National Instruments	NI-488 PCI-GPIB	1072.6101.00	Recording correction values
7	Alignment Software	R&S ZVAB-Service		1302.4460.00	Recording correction values
8	Power supply	2x 0 to 10 V			Aligning the DC inputs
9	DC meter		R&S URE	0350.5315.02	Aligning the DC inputs

Item	Type of equipment	Recommended specifications	Recommended model	R&S Order No.	Application
10	Calibration kit	N calibration kit	R&S ZV-Z21	1085.7099.02	Recording correction values on R&S ZVB4/8
10	Calibration kit	3.5 mm calibration kit	R&S ZV-Z23	1085.7099.02	Recording correction values on R&S ZVB20
11	Test cable	Test cable N (m) to N (m).	R&S ZV-Z11	1085.6505.03	Recording correction values on R&S ZVB4/8
11	Test cable	Test cable 3,5mm (m) to 35 mm (m).	R&S ZV-Z1	1085.6505.03	Recording correction values on R&S ZVB20
12	Conn. Cables for DC Inputs	4-pin mini-DIN plug	R&S ZV-Z71	1164.1005.02	Aligning the DC inputs

Aligning the Frequency Accuracy

Test equipment	Spectrum analyzer (section "Test Equipment", item 1): Error $<1 \times 10^{-9}$
Test setup:	Connect the spectrum analyzer to the 10-MHz reference output at the rear of the ZVB.
ZVB settings:	Select internal reference MENU : System: Reference Internal
Spectrum analyzer settings:	Center frequency: 10 MHz Span: 200 Hz

Note: *Before the following measurement is performed, the ZVB must have been switched on for at least 30 minutes to give the reference oscillator time to warm up.*

Measurement:	Measure the frequency with the spectrum analyzer: Nominal frequency: Model without OCXO (Option B4) 10 MHz \pm 80 Hz Model with OCXO (Option B4) 10 MHz \pm 1 Hz
--------------	---

Alignment without Option R&S ZVAB-B4:

- Enter Service Function 2.1.1.6.209.0x000000
- Read off the frequency-counter display, e.g. 10.000050 MHz.
- Change the **right-hand segment** (corresponding to bit 0 to bit 11) of the data word - e.g. to 000**400** - instead of 000**000**.
- Read off the frequency counter display again, e.g. 10.000010 MHz.
- Change the left-hand segment of the data word, until the counter indicates precisely 10.000000 MHz.

Alignment with Option R&S ZVAB-B4:

- Enter Service Function 2.1.1.6.209.0x**800000**.
- Read off the frequency-counter display, e.g. 10.000005 MHz.
- Change the **left-hand segment** (corresponding to bit 12 to bit 23) of the data word - e.g. to **400000** - instead of **800000**.
- Read off the frequency-counter display again, e.g. 10.000001 MHz.
- Change the left-hand segment of the data word, until the counter indicates precisely 10.000000 MHz.

The values that have been obtained in this way are now written to the hard disk using the Service Functions described below and then transferred to the EEprom of network controller1.

Example illustrating DC Meas 1 V:

When +1 V is applied, $V_1 = 1.023$ V is displayed by the R&S ZVB; when -1 V is applied, $V_2 = -1.011$ V is displayed. The results of the calculation are $M = 1.017$ and $F = 0.0059$. The following entries are, therefore, made:

- Select Service Level 2 (see Service Functions).
- Set Service Functions (Writing to the hard disk)
 - 3.1.2.5.dc_meas_1V.DcMeasMultiplier.1.017
 - 3.1.2.5.dc_meas_1V.DcMeasOffset.0.0059

 - etc. for the second measurement input.
- Set Service Function (Writing to the EProm)
 - 3.1.2.2

When correction value programming for the two DC voltage measurement inputs has been completed, end the NWA application and restart.

Check the alignment by applying the four voltages +1 V, -1 V, +10 V and -10 V and, as a further check, 0 V.

Reading the previous DC values:

- Select **Read** in the Service Function Menu
- Set Service Functions:
 - 3.1.2.5.dc_meas_1V.DcMeasMultiplier
 - 3.1.2.5.dc_meas_1V.DcMeasOffset

 - 3.1.2.5.dc_meas_10V.DcMeasMultiplier
 - 3.1.2.5.dc_meas_10V.DcMeasOffset

Correction Value Recording and Factory System Error Calibration

Required test equipment (see Table 2-1):

- PC with IEC/IEEE bus interface
- ZVAB-Service program
- Power meter with power sensor
- Signal generator
- Calibration kit
- N-connector test cable

Installation of the Alignment Program

Install the program by double clicking on the setup.exe file.

If you install the program for the second time the install shield will only remove the old installation. You will have to start the setup.exe again to perform the installation. The tool has been tested with Windows XP and Windows NT. Connect the PC, ZVB, power meter and signal generator via the IEC/IEEE-bus interface.

For a detailed operating description e.g. dealing with

- Configuration of the Program
- Writing Synthesizer Mapping and Shift Data to the Motherboard
- Recording Correction Values
- Factory System Error Calibration

see the "Usermanual.doc" or "Usermanual.pdf" file that comes with the installation packet and is installed in the directory "C:\Program Files\Rohde&Schwarz\ZVAB-Service" on the PC.

Checking the Gauge

It is strongly recommended that every test port of the Vector Network Analyzer is gauged prior to its first use. The gauge must be recalibrated whenever the connector adapter is changed and should be checked regularly, using the gauge block, for correct zero between adapter changes.

Table Connector pin depth tolerances

Connector type	Pin depth / mm	Pos. tolerance / mm	Neg. tolerance / mm
Type N (female)	5.258	+0.000	-0.076
3.5 mm (male)	0.000	+0.076	+0.000
2.92 mm (male)	0.000	+0.076	+0.000

Procedure

1. Ensure the appropriate connector adapter is fitted to the dial gauge.
2. Attach the gauge block to the gauge interface and rotate the dial so that the indication reads zero. Lock the dial in position by tightening the screw on the side of the dial. Disconnect the gauge block.
3. Mate the connector to be measured to the gauge and note the indication.
4. The connector is "in gauge" if the indication lies between the limits set by the connector specification (see Table above). For precision type N and 3.5 mm connectors, the calibrated zero indication on the dial corresponds to one extreme, the other being -76 μm (-0.003 in) (anti-clockwise on the dial). **CAUTION.** Damage to the connector (or the one it is to) may occur if the reading is positive.
5. After use, return the gauge set to its box.

Table of Contents - Chapter 3 "Repairs"

3 Repairs	3.1
Instrument Construction and Function Description	3.1
Block Diagram	3.2
Description of the Block Diagram	3.11
Board Replacement	3.20
Board Overview	3.21
Replacing Front Module Controller A90	3.22
Replacing the Lithium Battery on the Front Module Controller.....	3.25
Replacing Hard Disk A60.....	3.27
Replacing LCD A70 and the DC/AC Converter	3.28
Replacing Flexible switch board (Keyboard) A16 / Key Pad A15.....	3.30
Replacing the Front Cover.....	3.32
Replacing Disk Drive A30	3.33
Replacing USB Board A40	3.34
Replacing Power Supply A20	3.35
Replacing Fuse board A21	3.36
Replacing a Fan.....	3.37
Replacing Motherboard A10.....	3.38
Replacing a Reflectometer RM8 A510 to 540	3.41
Replacing a Reflectometer RM8 A510 to 540	3.41
Replacing Generator Board (R&S ZVB4/8 only)	3.42
Replacing Receiver Board (R&S ZVB4/8 only)	3.43
Perform the factory system error calibration (see Factory System Error Calibration). Replacing Generator and Receiver Cover (R&S ZVB4/8 only)	3.43
Replacing Generator and Receiver Cover (R&S ZVB4/8 only).....	3.44
Perform the factory system error calibration (see Factory System Error Calibration). Replacing the Inner Conductor of a Port Connector (R&S ZVB4/8 only)	3.44
Replacing the Inner Conductor of a Port Connector (R&S ZVB4/8 only).....	3.45
Replacing the Bridge Unit (R&S ZVB4/8 only)	3.46
Replacing a Reflectometer RM20 A510 to 540	3.47
Perform the factory system error calibration (see Factory System Error Calibration). Replacing the Coupler Unit (R&S ZVB20 only)	3.47
Replacing the Coupler Unit (R&S ZVB20 only)	3.48
Replacing the Reflectometer Fan	3.49
Replacing Network Controller Board A130, A140	3.50
Replacing Synthesizer Board A150, A160	3.51
Replacing LO Divider A600	3.52
Replacing Frequency Reference Board A100	3.53
Troubleshooting	3.54
Test Equipment and Accessories	3.54
Troubleshooting - Power-up Problems	3.55
Troubleshooting Boot Problems	3.56

Troubleshooting - Boot Error	3.57
Troubleshooting with the Selftest	3.58
Checking the Temperature Sensors	3.63
Service Functions	3.64
Determining which Boards are defective	3.68
Board Test	3.69
Testing the frequency reference board.....	3.70
Testing the Synthesizer Board.....	3.71
Testing the Reflectometer RM8	3.74
Testing the Reflectometer RM20	3.78
Testing the LO Divider Board	3.82
Testing the Network Controller Board	3.83
Testing the Motherboard.....	3.84
Fig. 3-1 Block diagram of the R&S ZVB4 and R&S ZVB8 2 ports	3.2
Fig. 3-2 Block diagram of the R&S ZVB4 and R&S ZVB8 3 ports (with LO-Divider).....	3.3
Fig. 3-3 Block diagram of the R&S ZVB4 and R&S ZVB8 3 ports (without LO-Divider).....	3.4
Fig. 3-4 Block diagram of the R&S ZVB4 and R&S ZVB8 4 ports (with LO-Divider).....	3.5
Fig. 3-5 Block diagram of the R&S ZVB4 and R&S ZVB8 4 ports (without LO-Divider).....	3.6
Fig. 3-6 Block diagram of the R&S ZVB14 and R&S ZVB20 2 ports	3.7
Fig. 3-7 Block diagram of the R&S ZVB14 and R&S ZVB20 2 ports with option B16	3.8
Fig. 3-8 Block diagram of the R&S ZVB14 and R&S ZVB20 4 ports	3.9
Fig. 3-9 Block diagram of the R&S ZVB14 and R&S ZVB20 4 ports with option B16	3.10

3 Repairs

This chapter describes the R&S ZVB's construction, simple procedures for repairs, troubleshooting and board replacement. A selftest which checks the diagnostic voltages of the board and indicates limit violations is provided for troubleshooting and diagnostics.

Chapter 4 of this service manual describes the installation of options and firmware updates.

Instrument Construction and Function Description

The R&S ZVB's construction is shown schematically by the following block diagrams and the exploded drawings (see also Chapter 5).

The block diagram will help clarify the following function description of the instrument.

Block Diagram

See also Chapter 5, Annex and Drawings.

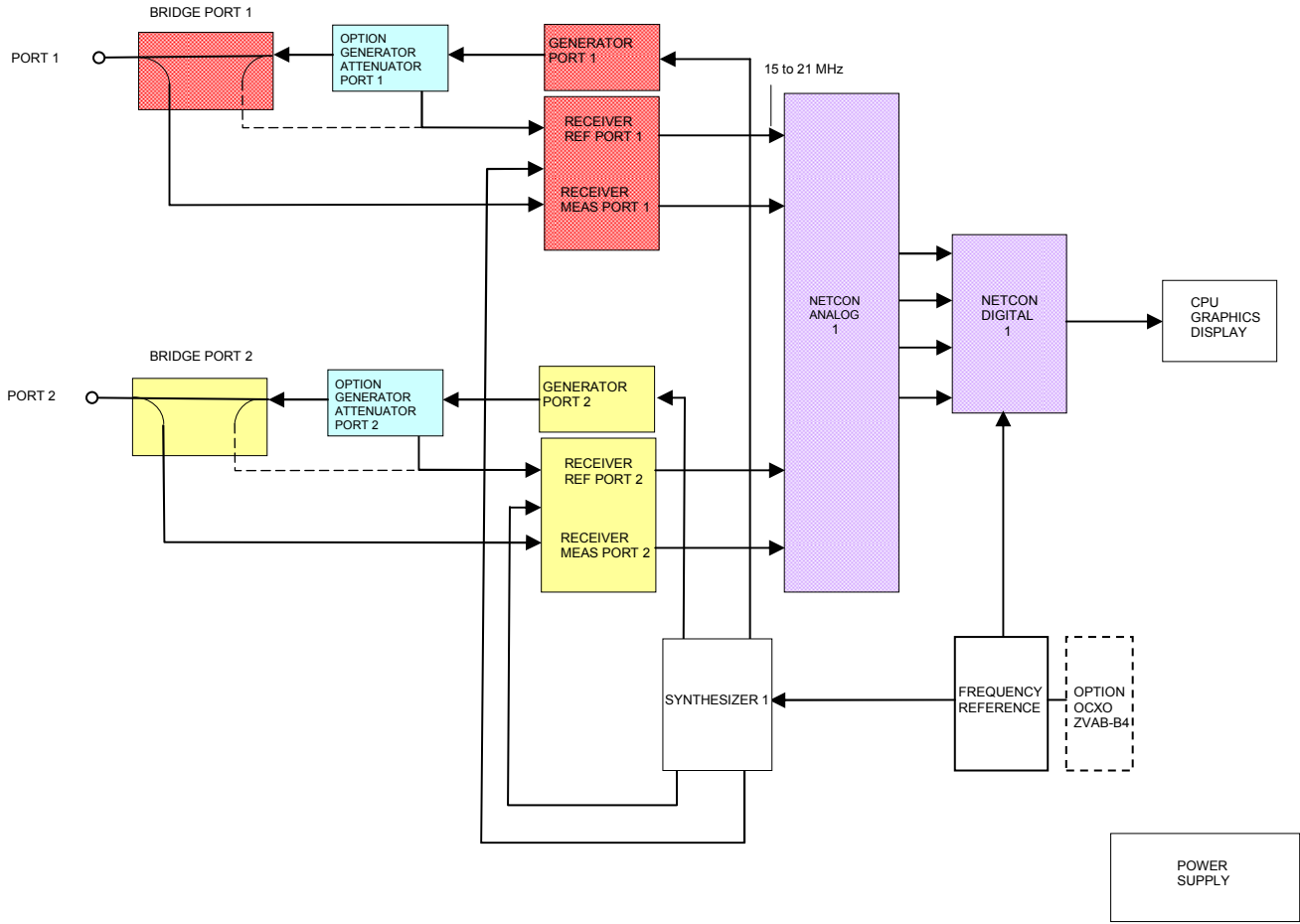


Fig. 3-1 Block diagram of the R&S ZVB4 and R&S ZVB8 2 ports

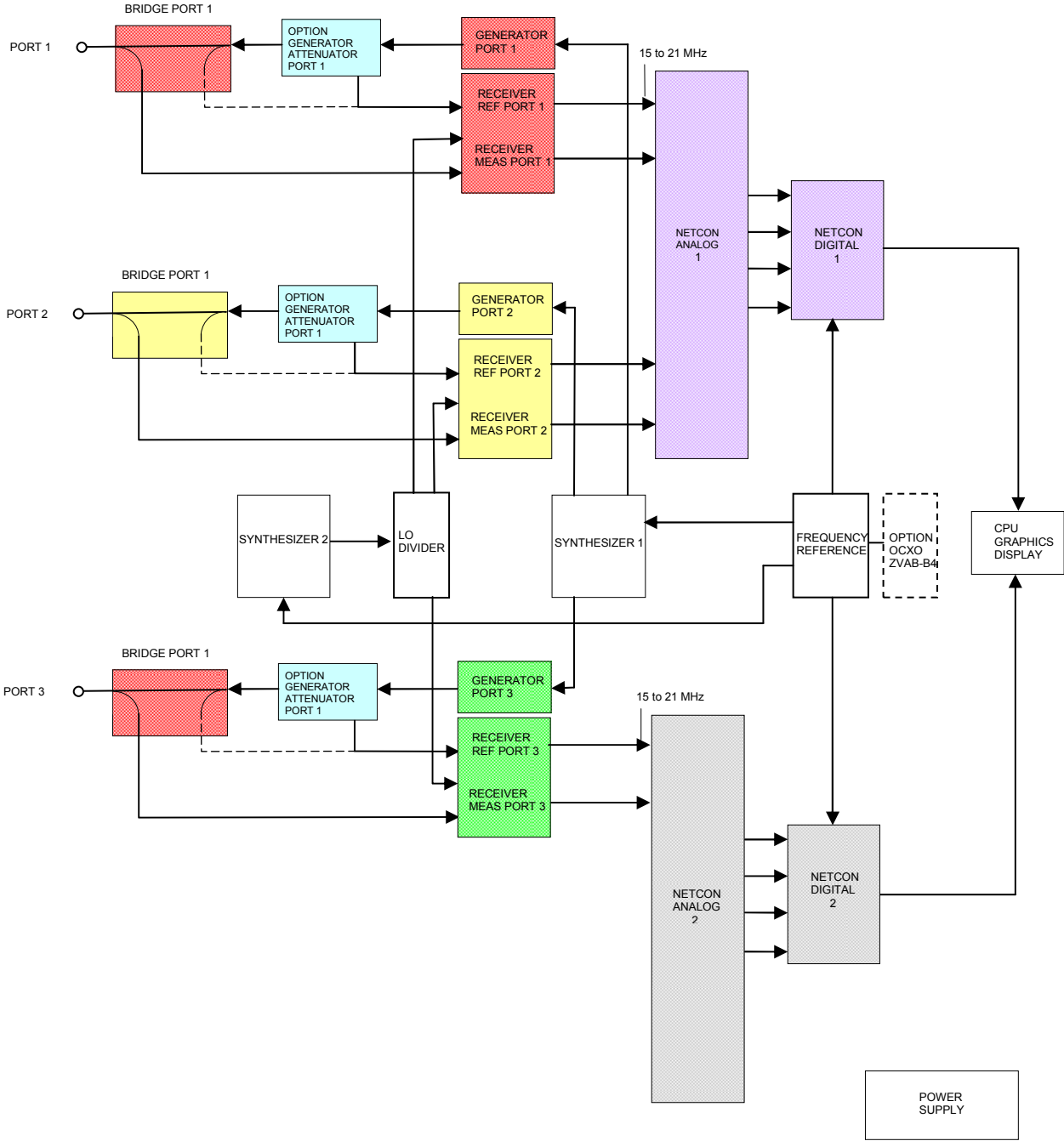


Fig. 3-2 Block diagram of the R&S and R&S ZVB8 3 ports (with LO-Divider)

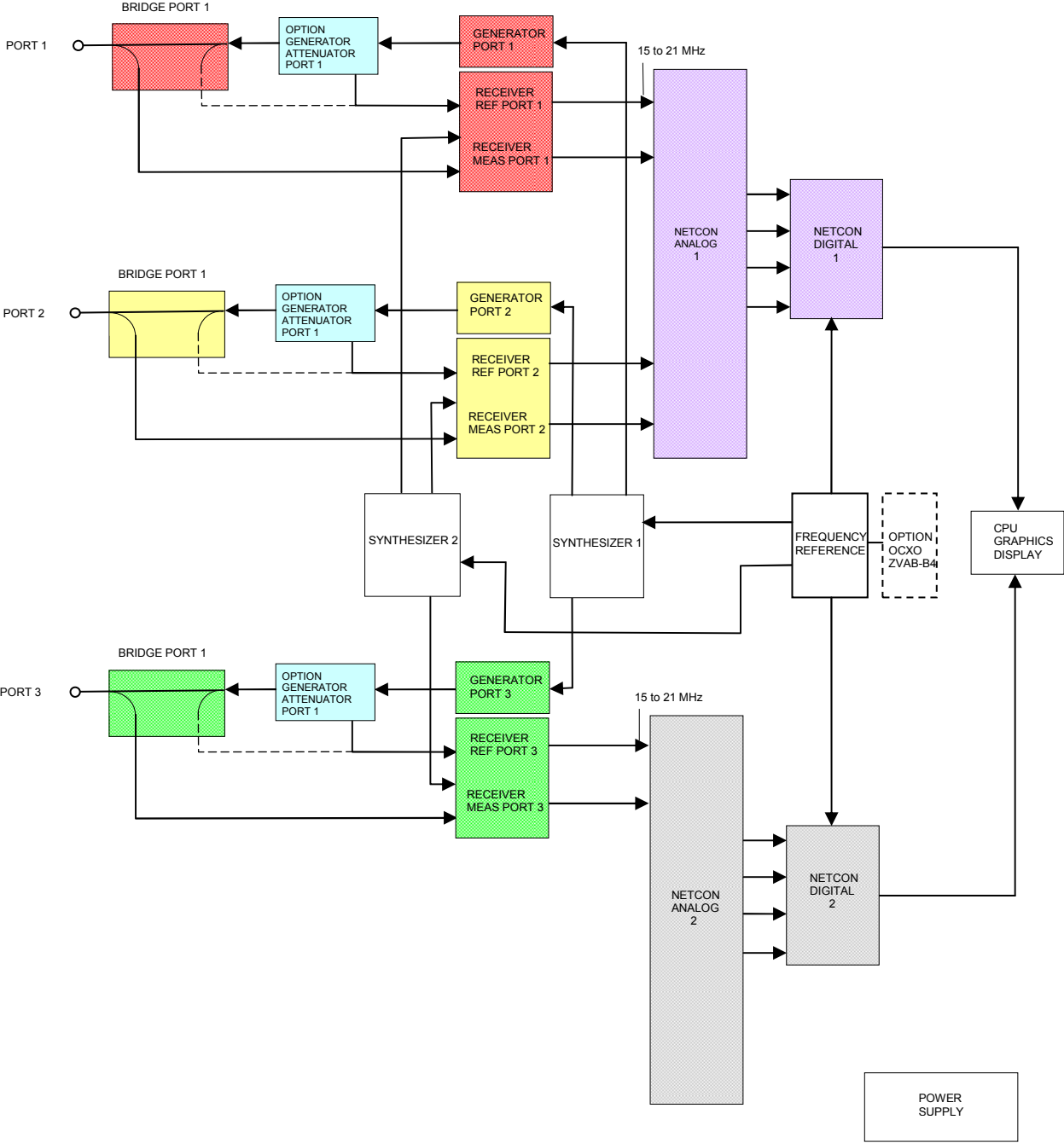


Fig. 3-3 Block diagram of the R&S ZVB4 and R&S ZVB8 3 ports (without LO-Divider)

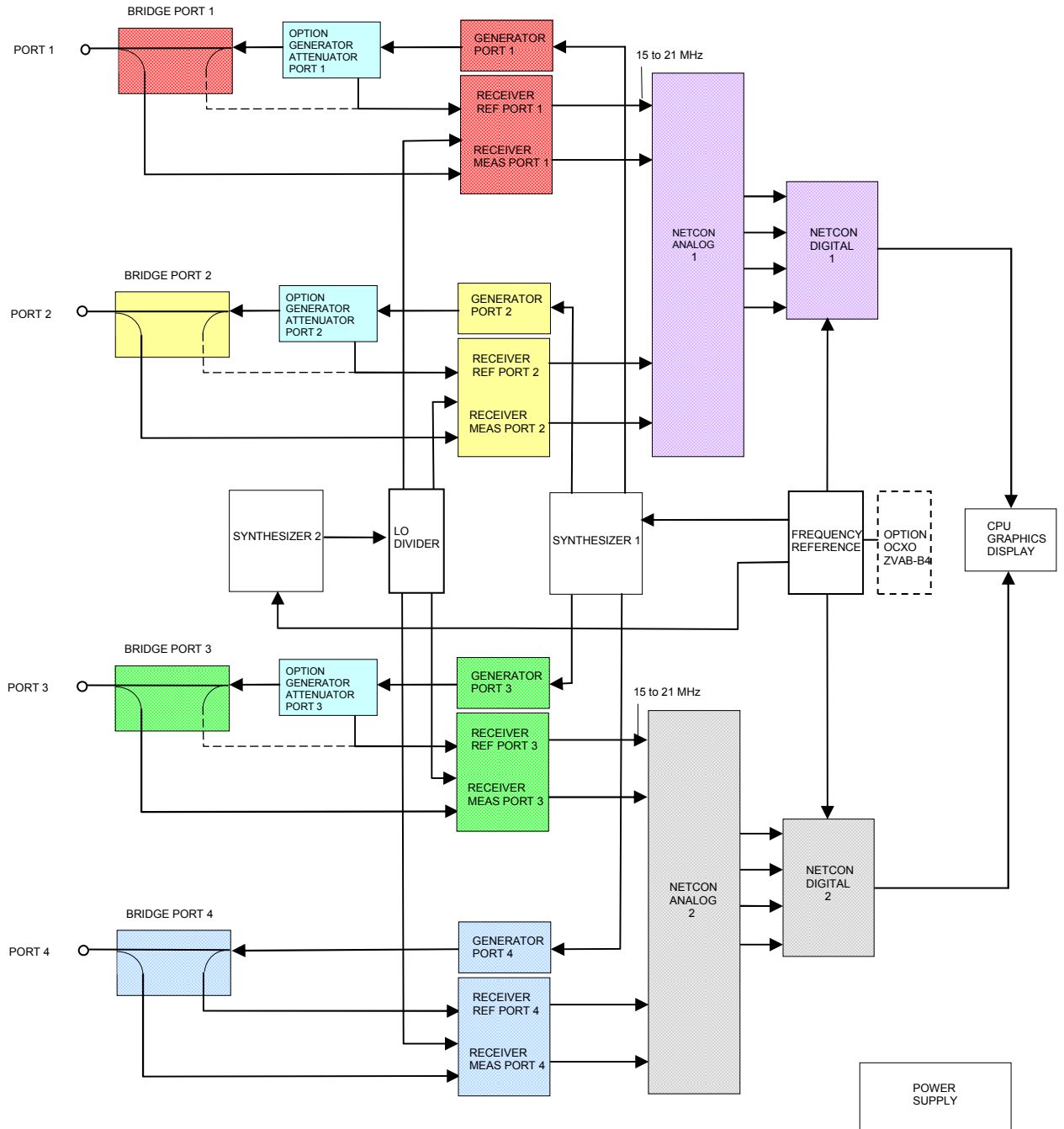


Fig. 3-4 Block diagram of the R&S ZVB4 and R&S ZVB8 4 ports (with LO-Divider)

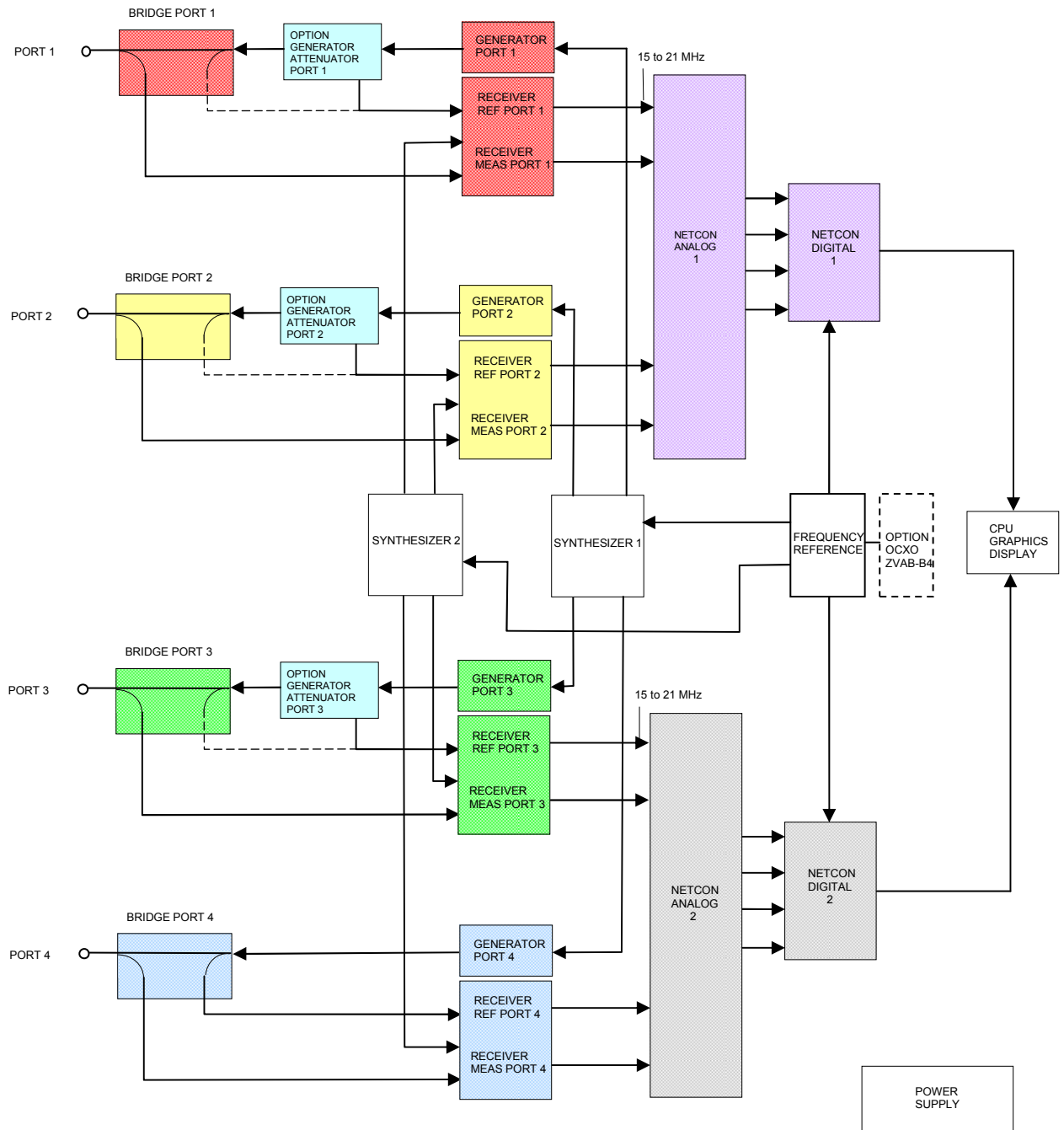


Fig. 3-5 Block diagram of the R&S ZVB4 and R&S ZVB8 4 ports (without LO-Divider)

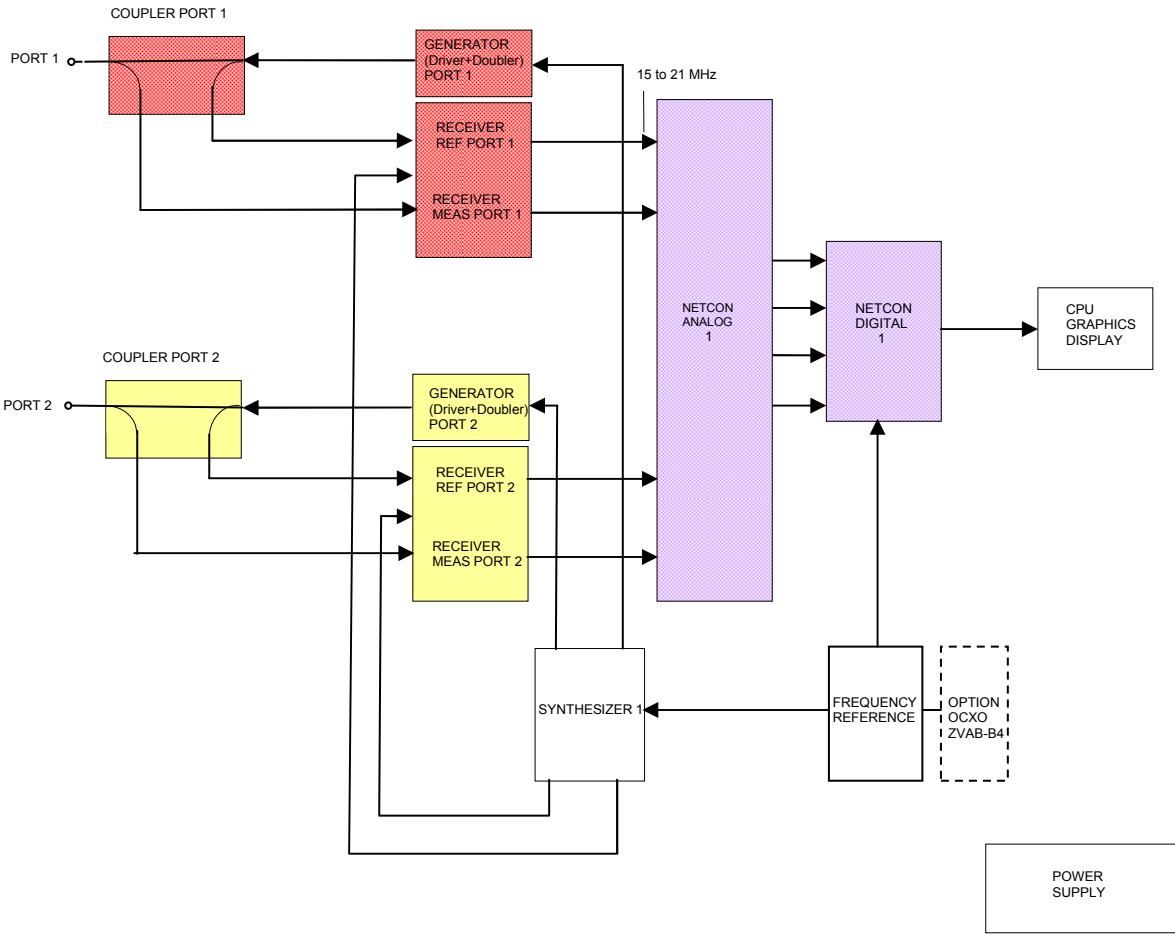


Fig. 3-6 Block diagram of the R&S ZVB14 and R&S ZVB20 2 ports

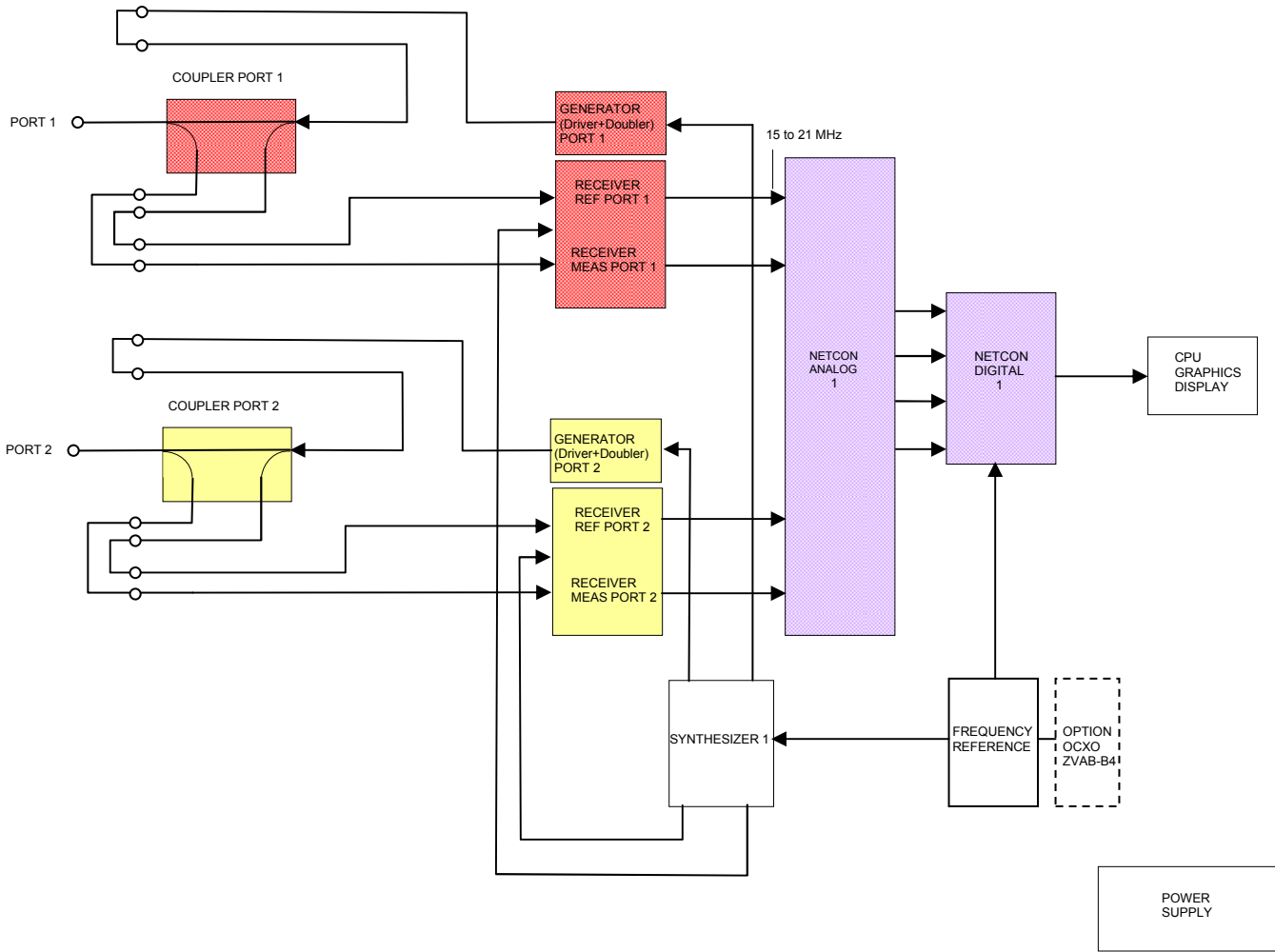


Fig. 3-7 Block diagram of the R&S ZVB14 and R&S ZVB20 2 ports with option B16

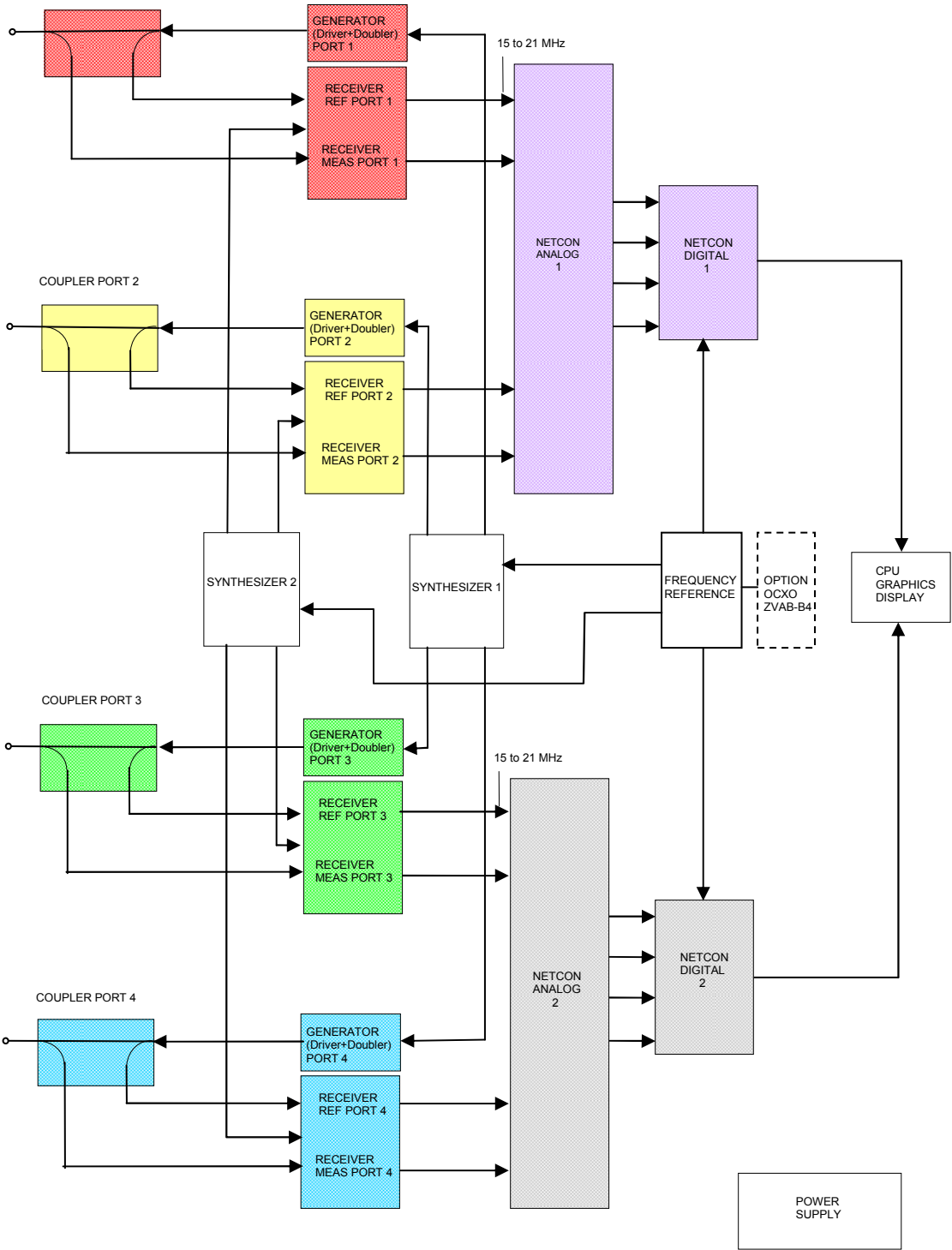


Fig. 3-8 Block diagram of the R&S ZVB14 and R&S ZVB20 4 ports

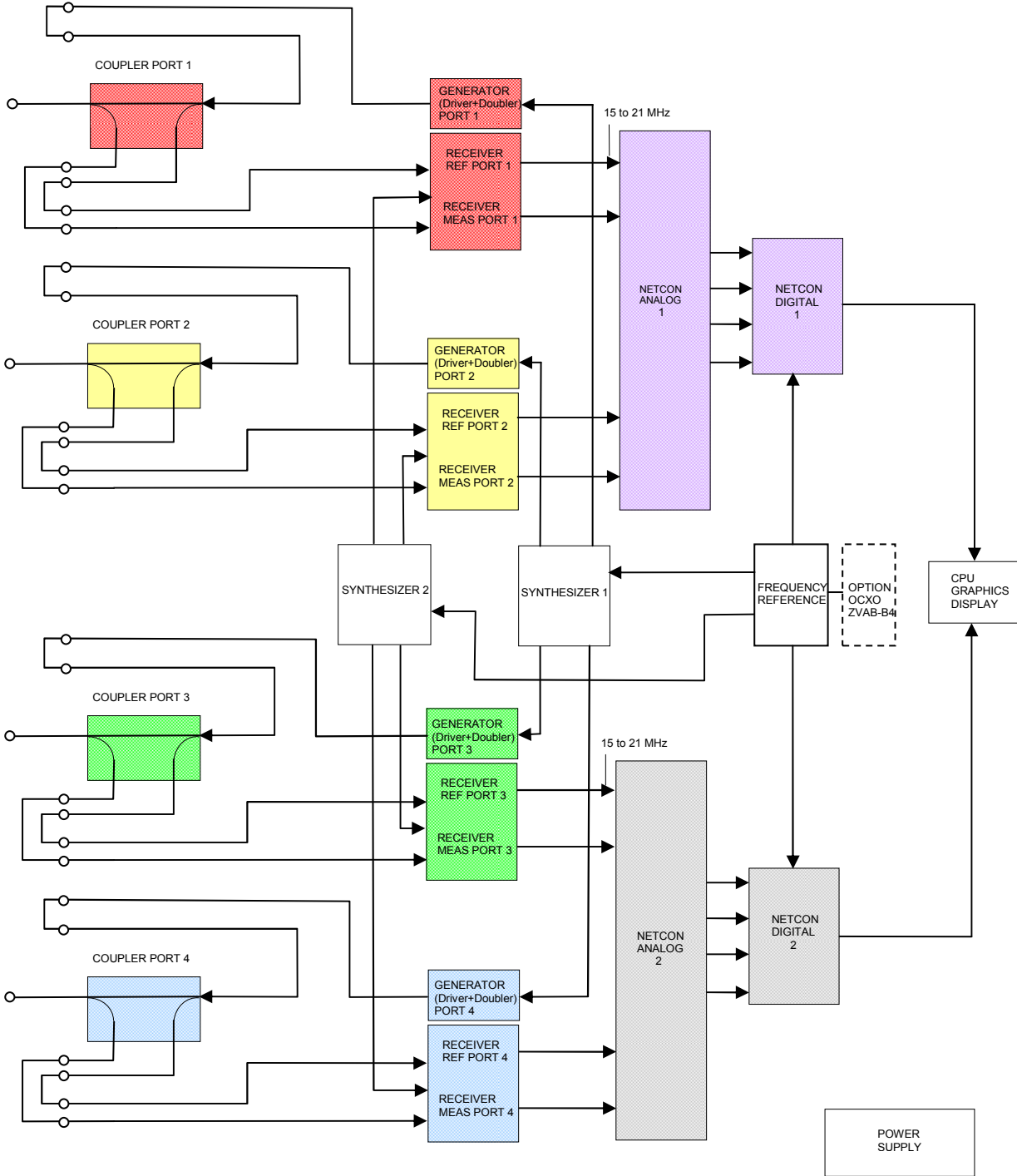


Fig. 3-9 Block diagram of the R&S ZVB14 and R&S ZVB20 4 ports with option B16

Description of the Block Diagram

The block diagrams shown in Fig. 3-1 to Fig. 3-9 apply to the R&S ZVB4, R&S ZVB8, R&S ZVB14 and the R&S ZVB20 4 and 2 ports and to the R&S ZVB4 and R&S ZVB8 3 ports.

The R&S ZVB is a vector network analyzer covering 300 kHz to 4 GHz (R&S ZVB4), 300 kHz to 8 GHz (R&S ZVB8),

10 MHz to 14 GHz (R&S ZVB14) or 10 MHz to 20 GHz (R&S ZVB20). All models are available in a 2-port or in a 4-port version, 3-port versions are no longer available. The signals (including the LO signal for the receiver) are generated using one or two synthesizer boards, according to the number of ports. The signal processing path comprises a reflectometer board, an IF board, a network controller and a processor section, comprising a Pentium-PC, I/O interface and graphics board. The instrument can be expanded to handle future digital and analog requirements by retrofitting options.

The generator signal on R&S ZVB4/8 (300 kHz to 4 GHz or 300 kHz to 8 GHz) is generated on synthesizer board 1, amplified in the generator section of the reflectometer board and then passes via the bridge to the port (port1 to 4) and so to the DUT. The reference signal (Ref1 to 4) is split in the bridge and fed to the receiver section (Receiver Ref1 to 4) on the reflectometer board.

The generator signal on R&S ZVB14/20 (10 MHz to 14 GHz or 10 MHz to 20 GHz) is generated on synthesizer board 1, frequency multiplied, filtered and amplified in the generator section of the reflectometer board and then passes via the coupler to the port (port1 to 4) and so to the DUT. The reference signal (Ref1 to 4) is split in the coupler and fed to the receiver section (Receiver Ref1 to 4) on the reflectometer board.

The signal reflected or transmitted by the DUT (Meas1 to 4) is fed to the port, coupled out in the bridge or coupler unit and fed to the receiver section (Receiver Meas 1 to 4) on the reflectometer board.

The internal reference frequencies are generated on the frequency reference board. The 128-MHz reference frequency is generated there as an internal device reference.

The following sections describe the various boards in greater detail.

Reflectometer R&S ZVB4/8

A reflectometer board comprising a **bridge unit**, a **generator section (Generator)** and a **receiver section (Receiver)** are incorporated in every port (Port1 to 4). These three components are screwed together to form a compact unit.

Bridge unit

The bridge unit is a resistive coupler which is used to separate the signal going to the DUT from the signal coming from the DUT. The reference signal (= measure of the signal to the DUT) is also obtained from the bridge unit. The reference signal provides a reference for relative measurements.

Generator

The generator contains three broadband amplifier stages which boost the signal coming from the synthesizer to a level > 20 dBm. Limiter diodes protect the output stage from ESDs. A total of three adjustable attenuators form the setting element to keep the output level constant and to attenuate it electronically.

Receiver

The receiver section has two channels (measurement channel and reference channel) and uses single conversion. Every channel contains a buffer amplifier, two mixers for each of the frequency ranges 300 kHz to 4 GHz and 4 GHz to 8 GHz (R&S ZVB8 only) with LO amplifiers and an IF amplifier. In the mixer, the input signal is directly converted to the IF range, approx 15 to 21 MHz. The inputs are protected by limiter diodes.

Reflectometer Unit R&S ZVB14/20

A reflectometer unit comprising a **coupler unit**, a **generator section (Generator)** and a **receiver section (Receiver)** are incorporated in every port (Port1 to 4). The Generator and the Receiver are screwed together to form a compact unit.

Coupler unit

The coupler unit contains a bias-T and two directional couplers. One coupler is used to separate the signal going to the DUT from the signal coming from the DUT. The reference signal (= measure of the signal to the DUT) is obtained from the second coupler. The reference signal provides a reference for relative measurements.

Generator

The generator contains a frequency doubler for the range 8 GHz to 16 GHz, a switchable filter unit, a second frequency doubler with filter for the range 16 GHz to 20 GHz and a broadband amplifier for the frequency range 10 MHz to 20 GHz with two adjustable attenuators to keep the output level constant and to attenuate it electronically.

Range	Basic frequency range from synthesizer	Doubler 1	Frequency	Doubler 2	Output frequency
1	10 MHz to 8.0 GHz	---	10 MHz to 8.0 GHz	---	10 MHz to 8.0 GHz
2	4 GHz to 5.05 GHz	x	8.0 GHz to 10.1 GHz	---	8.0 GHz to 10.1 GHz
3	5.05 GHz to 6.35 GHz	x	10.1 GHz to 12.7 GHz	---	10.1 GHz to 12.7 GHz
4	6.35 GHz to 8.0 GHz	x	12.7 GHz to 16.0 GHz	---	12.7 GHz to 16.0 GHz
5	4.0 GHz to 5.0 GHz	x	8.0 GHz to 10.0 GHz	x	16.0 GHz to 20 GHz

Receiver

The receiver section has two channels (measurement channel and reference channel) and uses single conversion. The measurement channel contains a buffer amplifier, two mixers for each of the frequency ranges 10 MHz to 2.5 GHz and 2.5 GHz to 20 GHz, LO amplifiers and an IF amplifier. The reference channel is equal to the measurement channel without the buffer amplifier. In the mixers, the input signal is directly converted to the IF range, approx 15 to 21 MHz. The mixers are used as basic wave mixers in the range 10 MHz to 8 GHz, in the upper range harmonic mixing is used ($IF = 3LO - RF$).

Each of the reflectometers contains a voltage controlled fan to perform optimum cooling.

Network controller

The network controller comprises two boards, the **netcon analog** and the **netcon digital** which are screwed together to form a single unit. The boards are four-channel – in other words, one network controller is required for two ports (2 measurement channels + 2 reference channels). After A/D conversion, the network controller performs high-speed digital processing on the IF signals from the reflectometers.

Netcon analog

The netcon analog board is a 4-channel IF amplifier and one 14-bit A/D converter per channel. The transmission bandwidth is 13 MHz to 26 MHz. A dither generator is used to linearize the A/D-converter characteristic. The board also accommodates a temperature sensor which is only used for general temperature checks and not to correct measurement results.

Netcon digital

The netcon digital board further processes the digitized raw data from the netcon analog board. Speed considerations mean that digital signal processing is performed in an ASIC which has a clock frequency of 80 MHz.

The main functions on the board are:

- Mixing to the baseband
- Filter with bandwidths from 1 Hz to 100 kHz in 1/3/5 sequence
- Detectors, PCI interface
- Setting and routine control

The current measured value (sample), the average, the RMS and the Max can be recorded simultaneously and passed on to the main processor via the PCI-bus. The connection to the PCI-bus is made via the PCINT-FPGA. A further FPGA "FCON" contains the central section of the procedure control from measurement point to measurement point and the trigger control. This FPGA is configured by the main processor.

The A/D converters for ext. DC measurements are also accommodated on the netcon digital board.

Frequency reference

The **frequency reference** board generates the highly stable and spectrally pure clock signals, required by the R&S ZVB, which can be phase-locked to external synchronisation signals.

The various function blocks are:

The 128 MHz VCXO (voltage-controlled crystal oscillator) which generates a stable, low-noise reference frequency for the synthesisers, for the A/D converters and for digital signal processing.

The PLL for phase locking the VCXO signal to an external reference signal or to a 10 MHz OCXO (oven-controlled crystal oscillator) option.

The VCO and PLL which generate the clock for the netcon digital board (locked to the 128 MHz VCXO). The frequency can be varied from 75 MHz to 86 MHz. The VCO frequency is programmable; the nominal clock frequency is 80 MHz.

A reference frequency of 10 MHz is standard. If the OCXO is fitted, the OCXO signal is brought out at the ZVAB's rear panel (10 MHz REF) so that further instruments can be synchronised.

The free-running VCXO (no OCXO, no external reference) can be calibrated using a pre-tune voltage.

If no OCXO is fitted, a 10 MHz signal is still output at the instrument's rear panel. It is derived from the 80 MHz signal which is divided down to 10 MHz by the divider for the OCXO.

The following are also accommodated on the board:

- A control-CPLD to act as an interface between the serial bus and the board,
- Register for storing divider values,
- D/A converter for pre-tuning the VCXO and OCXO
- An on-board EEPROM for storing board-specific data
- Selftest facilities

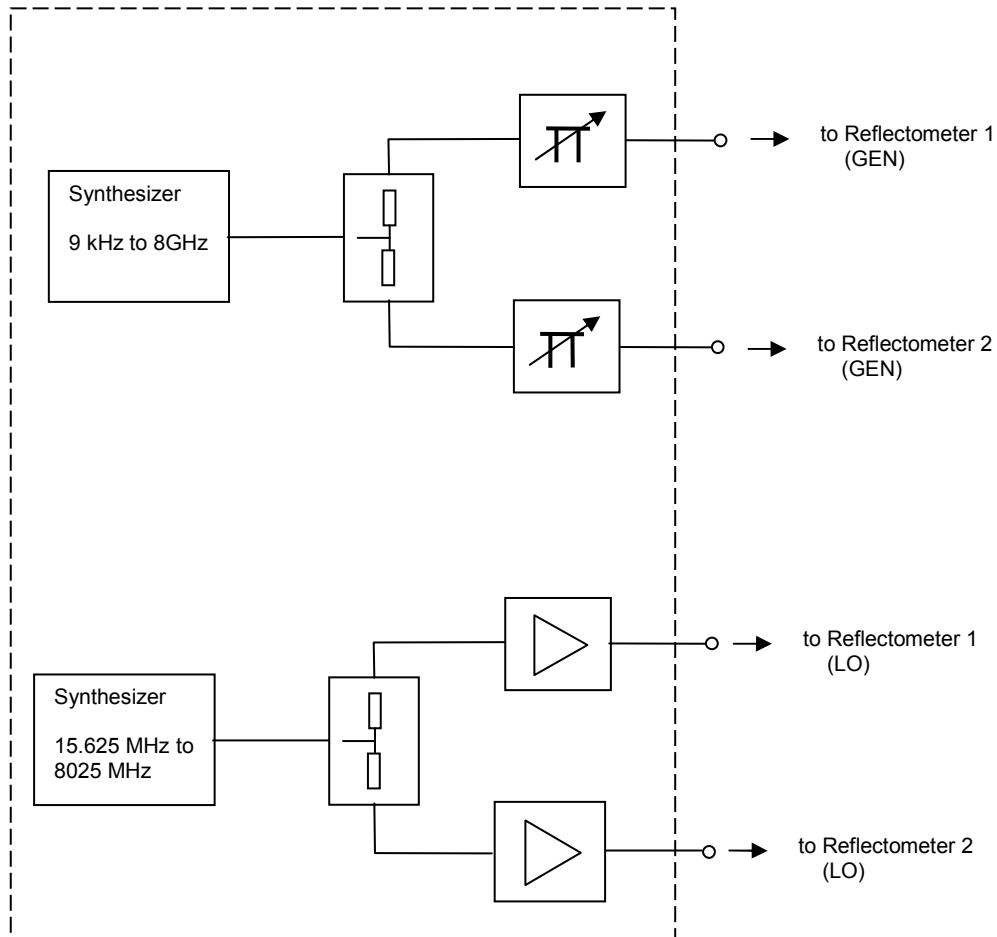
OCXO reference (option B4)

As an option, the frequency reference board can be fitted to an OCXO (oven-controlled crystal oscillator) which considerably improves the phase noise of the reference signal close to the carrier, short-term stability and long-term stability.

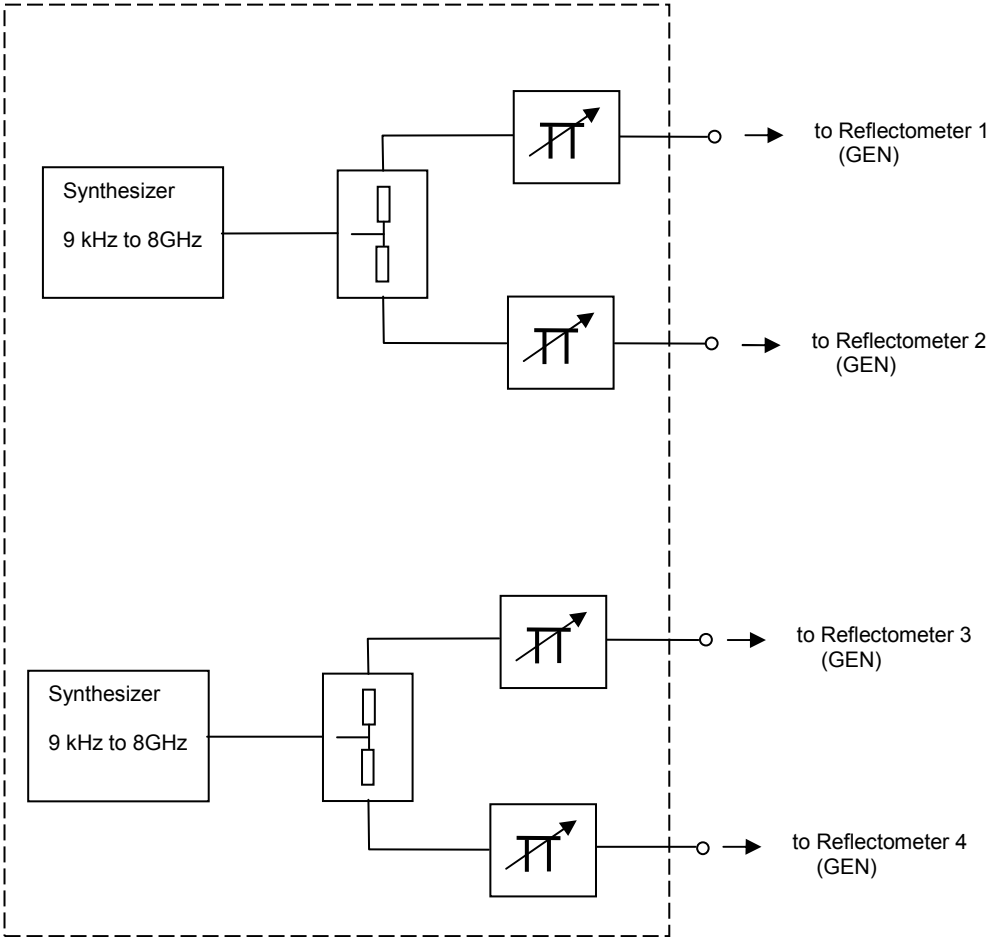
Synthesizers

The source signals for the generator signals associated with each port and the LO signal for the mixers on the receiver boards for each of the reflectometers are generated on the synthesizer board. One or two individual synthesizers are accommodated on a synthesizer board. There are three different synthesizer types used in the R&S ZVB models:

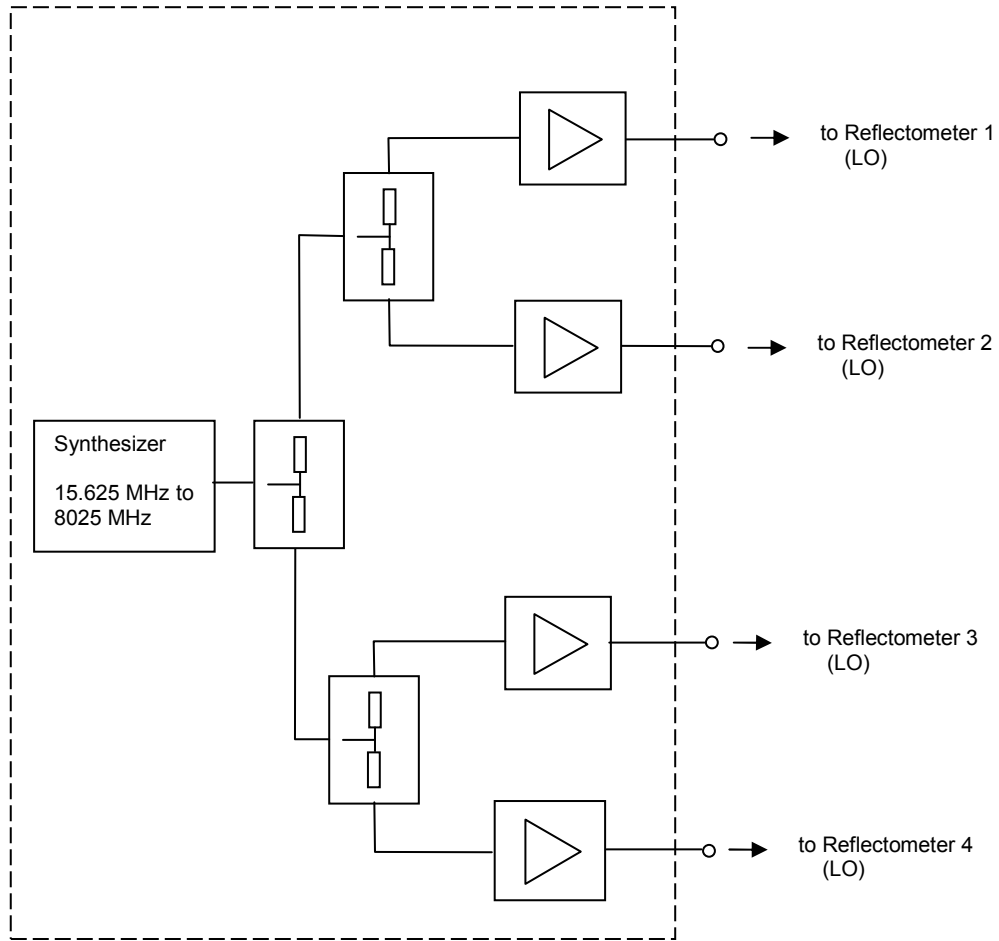
LS Synthesizer



DS Synthesizer



LO Synthesizer



The synthesizer models are incorporated as follows in the various R&S ZVB models:

	Mod	Ports	LS Synth. 1302.4025.02	LS Synth. 1302.4025.20	LO Synth. 1302.4248.02	LO Synth. 1302.4248.20	DS Synth. 1302.5180.02
R&S ZVB4	04	2	1				
R&S ZVB4	06	4			1		1
R&S ZVB8	08	2	1				
R&S ZVB8	10	4			1		1
R&S ZVB14	14	2		1			
R&S ZVB14	17	2		1			
R&S ZVB14	19	4				1	1
R&S ZVB20	20	2		1			
R&S ZVB20	23	2		1			
R&S ZVB20	25	4				1	1

LO divider

The LO signal from the synthesizer is distributed via the LO-divider board between the receiver boards associated with the reflectometers that have been installed. A maximum of four reflectometers can be supplied with the LO signal in this way. The divider comprises a resistive power divider and a buffer amplifier in each of the four output branches. The buffer amplifiers are used to compensate for the power divider loss and to provide decoupling between the reflectometers (crosstalk).

In newer instruments the LO-divider is integrated on the synthesizer board (see **Synthesizers**).

Front unit

The front unit comprises a mounting plate on which the LCD, the flexible switch board and key pad, and the tachogenerator are accommodated.

The front module controller is mounted in the controller tray in the instrument frame.

LC display

All results and setting information the user requires is displayed on the colour LCD.

The resolution of the LCD is 800 x 600 pixels (SVGA).

The display has an integral cold-cathode tube to provide illumination. The high voltage that is required is provided by a dedicated DC/AC converter. The converter is mounted on the mounting plate next to the display and connected to both the display and the controller board via a cable.

Keyboard

The keyboard comprises a flexible switch board and a key pad. They make contact whenever a rubber key is pressed. The two LEDs for the status display associated with the Standby/On key (yellow for standby/green for on) are also accommodated on the key pad.

Key detection and LED control are performed via a foil cable connection on the controller board. They are controlled by means of a matrix method implemented by a special microprocessor on the controller board; the two LEDs are controlled accordingly. When the instrument is turned off at the mains switch, the microprocessor saves the status of the Standby/On key.

Front module controller

The front module controller accommodates all the components that are required on one board - for example, the processor, memory chips (SIMMs), I/O chips (ISA bus), the lithium battery, IEC/IEEE bus controller, two serial interfaces (COM1/2), a parallel interface (LPT), LCD graphics controller, external VGA-monitor graphics interface (Monitor) and a connector for an external keyboard (keyboard PS/2). Also integrated on the controller board are a floppy controller for an external disk drive and an IDE hard-drive controller.

In the case of the FMR6, the LAN interface is also integrated on the controller board.

Hard disk

The hard disk is screwed to the rear of the tray for the front module controller with a holder and connected to the board with a flat cable.

Power supply

The power supply produces all the voltages required to power the R&S ZVB. It can be turned off with a switch on the instrument's rear panel.

The power supply is a primary-switched power supply with power factor correction (PFC) and standby circuit (+12 V standby).

On the secondary side, it outputs DC voltages (+3.4 V, +5.2 V, +6.5 V, +8.25 V, +12.25 V, +12 V standby, -12.25 V).

The control signal RS_PS_ON which is controlled by the front module controller (via the *STANDBY/ON* key at the front of the instrument frame), activates the power supply. In the standby mode, the power supply generates only the 12-V standby voltage to supply a crystal oven and the STANDBY status display on the front panel.

The secondary voltages are open-proof and short-proof to ground and mutually open-proof and short-proof.

A circuit that prevents overheating is also provided. Overheating is indicated to the front module controller via a status signal (*OT*).

Motherboard

The motherboard supplies power to the boards and connects them to the control and data buses. A number of RF connections are also routed via the motherboard.

As well as straight connections, a number of circuits are accommodated on the motherboard:

Motherboard controller (MBCON)
28 V supply
Preamplifier for the DC measurement inputs
Supply voltage fuses
Rear panel interfaces
Fan control

The **MBCON** unit acts as an FSU bus-slave:

- to drive the LEDs (instrument front-panel)
- to drive the fan in five stages
- for two temperature sensors on the motherboard
- for an SPI-EEPROM on the motherboard
- Furthermore, the software can detect which device (R&S ZVB4 or R&S ZVB8) is present using the MBCON.

In addition to the voltages delivered by the power supply, +28 V is produced from +12 V on the motherboard by means of a boosting switching regulator. This voltage is required to operate the OCXO on the reference board when option B4 is fitted.

Each board has its own fuses for the supply voltages. These fuses are soldered into position on the board.

All external supply voltages (USB etc.) are protected to prevent shorts.

Board Replacement

The following section is a detailed description of board replacement. Chapter 5 tells you how to order spare parts. It contains a list of mechanical parts and their order numbers as well as drawings relating to board replacement.

Note: *The numbers in brackets are the item numbers in the list of mechanical parts in Chapter 5. In turn, these item numbers are the same as the item numbers in the drawings relating to board replacements (also in Chapter 5):*

1145.1010 sheet 1 (R&S ZVB base instrument, Items 10-120, 260-470)

1145.1010 sheet 2 to 7 (R&S ZVB base instrument, Items 125-295)

1145.1290 sheet 1 (R&S ZVB fundamental unit, Items 500-799)

1145.1332 sheet 2 (R&S ZVB metal frame, items 17-19)

1145.1384 sheet 1 (R&S ZVB display unit, Items 800-1060)

1145.1770 sheet 1 (R&S ZVB Option B4)

1145.3593 sheet 1 (8GHz Bridge)

1145.3664 sheet 1 (RM 4/8)

1145.4277 sheet 1 (RM20)

The terms "left" and "right" always mean left and right as seen looking at the front of the instrument.

Board Overview

Table 3-1 Overview: Board Replacement

Board	Actions after replacement		
	Function test	Alignment Recording of correction values System error calibration	Other
Front module controller	Check error log		BIOS update
Lithium battery	Check error log		
Hard disk	Check error log	System error calibration	FW update
LC display / DC/AC converter	Functional test		
Flexible switch board (keyboard)/ key pad	Functional test		
Front cover			
Disk drive	Check the directory structure		
USB board	Test with mouse, keyboard		
Power supply	Check error log		
Fan			
Motherboard	Check error log	Alignment DC measurement inputs	
Reflectometer	Check error log	Record correction values System error calibration	
Input connector port 1 to 4 (R&S ZVB4/8 only)	Check error log	System error calibration	
Bridge unit (R&S ZVB4/8 only)	Check error log	Record correction values System error calibration	
Coupler unit (R&S ZVB20/22 only)	Check error log	Record correction values System error calibration	
Reflectometer fan	Check error log		
Network controller	Check error log	Record correction values System error calibration Alignment DC measurement inputs	
Synthesizer	Check error log	Record correction values System error calibration	
LO divider	Check error log	Record correction values System error calibration	
Frequency reference	Check error log	Alignment Frequency accuracy	

Replacing Front Module Controller A90

(See Chapter 5, Spare Parts List, Item 580, and drawings 1145.1010, 1145.1290)

The front module controller is located behind the front unit.

Opening the instrument and removing the front unit

- Turn off the instrument and disconnect from the mains.
- Remove the 4 screws from the front handles (410), left and right, and take off the front handles.
- Remove 3.5 mm connection cables (only with option R&S ZVBx-B16)
- Remove the countersunk screw (390) next to the display and pull off the front cover (300 to 330) forwards
- Remove the 2 countersunk screws (610) in the top of the front frame and the 2 in the bottom.
- Remove the countersunk screws (176) (4), (177) (6), (178) (8)
- Pull out the front unit together with the keyboard and display (600, 601, 602, 603) forwards.



CAUTION

The cables to the front module controller are still connected.

Disconnect the cables to the LCD, the DC/AC illumination converter, the key pad (keyboard), the tachogenerator and, if necessary, the network connection on the front module controller.

N.B.: When disconnecting cables, be especially careful with the cable to the keyboard. It is a foil cable and can only be removed when the locking device on the foil-cable connector is released.

Removing the front module controller

Remove the 10 semi screws (590) in the front module controller and remove the front module controller in the following way (see Fig. 3-2):

Note: The insertion force for the front module controller on the motherboard is very large. The slot in the bottom of the controller tray is provided to facilitate pushing out the front module controller forwards. Using a blunt, flat tool, carefully edge the board forwards.



CAUTION

Do not insert the tool too far into the slot; only apply pressure to the board. To ease the board out, apply light pressure to each and every slot. Do not bend the board.

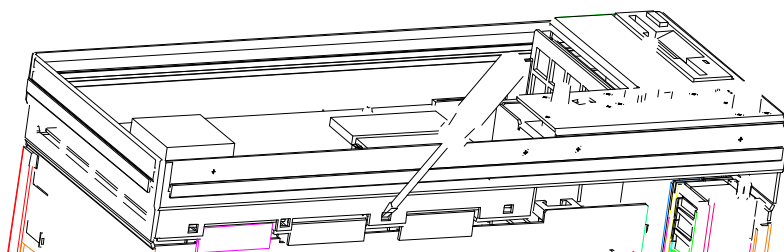


Fig. 3-2 Removing the front module controller

Installing the new front module controller and putting the instrument back together

Carefully insert the new front module controller on the motherboard and screw into place with 10 sems screws (590).

Caution: With type FMR6 1091.2520.00, there is a danger of shorting between board components, tracks and screws (590). Use suitable insulation.

Reconnect the cables to the front module controller, ensuring correct polarity.

Front Module Controller Typ FMR6

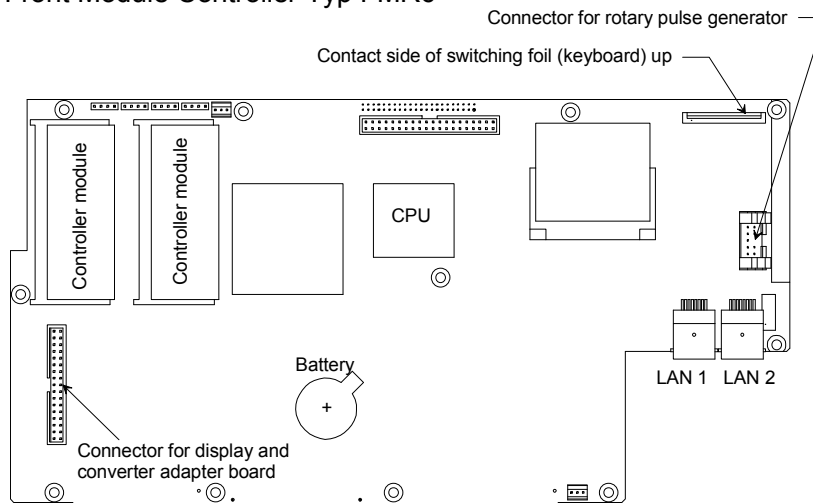


Fig. 3-3 Location of the edge connectors on the front module controller

- Re-insert the front unit into the instrument and secure to the front frame with 4 countersunk screws. (610).
- Fit the following countersunk screws (176) (4), (177) (6), (178) (8).



Caution

Avoid trapping cables and ensure cabling is tidy.

- Replace the front cover (300 to 330) and screw in the countersunk screw (390).
- Reconnect the 3.5mm connection cables (only with option R&S ZVBx-B16)
- Secure the 2 front handles (410) with the 4 screws.

Putting into operation

- Connect the mains cable and turn on at the power on switch. The instrument is now in standby mode.
- Insert the BIOS disk in the floppy disk drive.

- Turn on the instrument and wait for the first beep. Press the DEL key. The instrument should now display the setup menu.
 - Select Advanced BIOS Features
 - Enter
 - Select First Boot Device
 - Select Floppy using page up/down key
 - Press F10 key (save)
 - Enter

- BIOS has now been programmed.
Do not turn the instrument off when the program is running.
- Follow the instructions on the screen.
- Select Service Level 2 (see Service Functions).
- Check the protocol file for errors:
[INFO : Error Log]

Replacing the Lithium Battery on the Front Module Controller

(See Chapter 5, Spare Parts List, Item (582), and drawings 1145.1010, 1145.1290)

The lithium battery is located on the front module controller behind the front unit.

Caution



Do not expose lithium batteries to high temperatures or naked flames.

Keep batteries away from children.

If the battery is not replaced correctly, there is a risk of explosion. Only use R&S-type replacement batteries (See Chapter 5, Spare Parts List, Item 776 for type FMR6).

Lithium batteries are classified as special waste – only use designated containers for disposal.

Opening the instrument and removing the front unit

- Turn off the instrument and disconnect from the mains supply.
- Remove the 4 screws in the front handles (410), right and left, and take off the front handles
- Remove 3.5 mm connection cables (only with option R&S ZVBx-B16)
- Remove the countersunk screw (390) next to the display and pull off the front cover (300 to 330) forwards.
- Remove the 2 countersunk screws (610) in the top of the front frame and the 2 in the bottom.
- Remove the countersunk screws (176) (4), (177) (6), (178) (8).
- Pull out forwards the front unit together with the keyboard and display (600, 601, 602, 603).



Caution

The cables to the front module controller are still connected.

- Disconnect the cables to the LCD, the DC/AC illumination converter, the key pad (keyboard), the tachogenerator and, if necessary, the network connection on the front module controller.

Note: *When disconnecting cables, be especially careful with the cable to the keyboard. It is a foil cable and can only be removed when the locking device on the foil-cable connector is released.*

Removing the lithium battery

- Carefully lift up and pull out the battery.

Note: Lithium battery 3.4 V (dia. 20 mm * 3 mm) R&S Item No. 0858.2049.00

Front Module Controller Typ FMR6

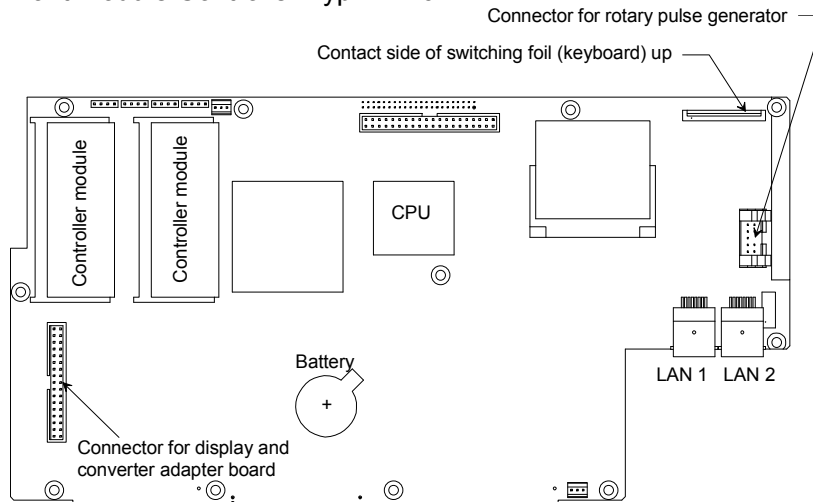


Fig. 3-4 Location of the lithium battery on the front module controller

Installing the new battery and reassembling the instrument



CAUTION

Never short circuit the battery

- Insert the battery under the spring in the holder.
N.B.: The positive pole of the battery (+) must be uppermost.
- Reinsert the front unit in the instrument and secure to the front frame with 4 countersunk screws (610).
- Refit the countersunk screws (176) (4), (177) (6), (178) (8).



CAUTION

Avoid trapping cables and ensure cabling is tidy.

- Replace the front cover (300 to 330) and screw in the countersunk screw (390).
- Reconnect the 3.5 mm connection cables (only with option R&S ZVBx-B16)
- Refit the 2 front handles (410) using 4 screws.

Putting into operation

- Connect the mains cable and turn on at the power switch. The instrument is now in standby mode.
- Select Service Level 2 (see Service Functions).
- When the instrument has been started, check the protocol file for errors:
[INFO : Error Log]

Replacing Hard Disk A60

(See Chapter 5, Spare Parts List, Item 710, and drawings 1145.1010 and 1145.1290)

The hard disk is located between the controller tray and the boards. The spare disk is delivered with the software pre-installed.

Before removal:

Whenever possible, back up the user data on an external data storage medium.

Opening the instrument and replacing the hard disk

Turn off the instrument, disconnect from the mains, unscrew the 4 rear-panel feet (460) and pull off the enclosure (400) backwards

- Lift off the instrument cover (296) at the top after undoing the 23 (2 ports) or. 28 (4 ports) countersunk screws (298).
- Disconnect the flat cable (715) at the hard disk drive.

Note: Do not pull or push on the flat cable – instead, carefully lever out the connector strip with a small screwdriver.

- Remove the 2 countersunk screws (725) in the hard disk holder (720).
- Remove the hard disk (710) and holder (720).
- Undo the 4 countersunk screws (730), remove the old hard disk and screw the new hard disk to the holder (720).

Installing and putting the new hard disk into operation

- Refit the hard disk and holder into the instrument using 2 countersunk screws (725).
Note: The bottom of the holder is inserted into a sheet-metal wall.
- Connect the flat cable (715) to the hard disk.
- Replace the instrument's top cover (296) and screw back into position with 23 or 28 countersunk screws (298).
- Slide on the enclosure (400) and screw the 4 rear-panel feet (460) back into position.
- Connect the mains cable and turn on at the mains switch. The instrument is now in standby mode
- Select Service Level 2 (see Service Function)
- When the instrument has been started, check the protocol file for errors:
[INFO : Error Log]
- Perform the factory system error calibration (see **Factory System Error Calibration**).

Replacing LCD A70 and the DC/AC Converter

(See Chapter 5, Spare Parts List Items 910, 930 and drawings 1145.1290, 1145.1384)

The LCD and the associated DC/AC converter are accommodated on a mounting plate. The connection to the front module controller is made with cables which should also be replaced individually. The replacement procedure is as follows:

Opening the instrument and removing the front unit

- Turn off the instrument and disconnect from the mains.
- Remove the 4 screws in the front handles (410), left and right, and take off the front handles.
- Remove 3.5 mm connection cables (only with option R&S ZVBx-B16)
- Remove the countersunk screw (390) next to the display and pull off the front cover (300 to 330) forwards.
- Remove the 2 countersunk screws 610) in the top of the frame and the 2 in the bottom.
- Remove the countersunk screws (176) (4), (177) (6), (178) (8).
- Pull out the front unit together with the keyboard and display (600, 601, 602, 603) forwards.



CAUTION

The cables to the front module controller are still connected

- Disconnect the cables to the LCD, the DC/AC illumination converter, the key pad (keyboard), the tachogenerator and, if necessary, the network connection to the front module controller.

Note: *When disconnecting cables, be especially careful with the cable to the keyboard. It is a foil cable and can only be removed when the locking device on the foil-cable connector has been released.*

Place the key-side of the front unit on a clean surface.

Removing the DC/AC converter

- Disconnect the cable from the display (910) to the DC/AC converter (930).
- Disconnect the converter cable (950) to the DC/AC converter (930)
- Remove the DC/AC converter (930) by undoing the 2 screws (940)

Removing the LCD

- Disconnect the display cable (945) by cutting through the adhesive label(946).
- Remove the display connector (1020) after you have undone the two screws (1040).
- Disconnect the display cable (1030) at the display (910).
- Remove the display (910) after removing the 4 screws (920)

Installing and putting into operation a new LCD or DC/AC converter

- Reinstall the new LCD or new DC/AC converter by reversing the disassembly procedure, refit all screws and reconnect the cables that have been disconnected (drawing 1145.1384).
- When replacing the display (921) or display cable (945), use a new adhesive label (946) to secure the cabling.
- Place the key-side of the front unit on the top of the instrument so that the cables can be connected to the front module controller.
- Carefully connect all cable connectors to the front module controller, ensuring that the polarity is correct.

Front Module Controller Typ FMR6

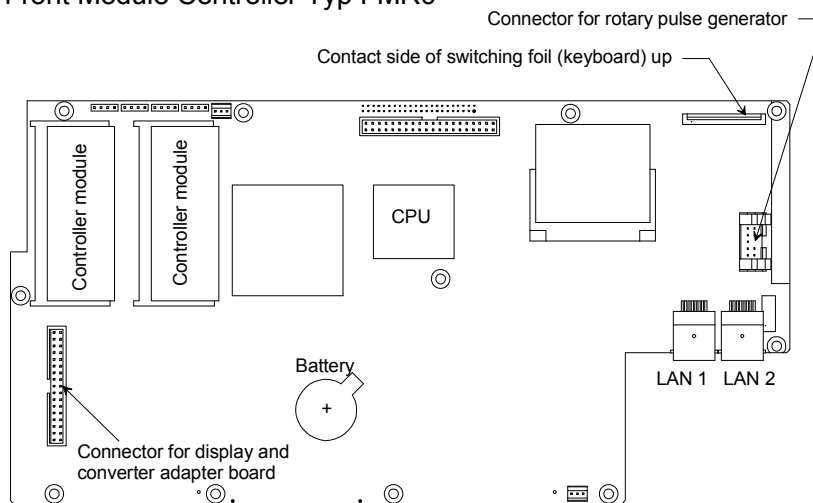


Fig. 3-5 Location of the edge contacts on the front module controller

- Reinsert the front unit in the instrument and secure to the front frame with 4 countersunk screws (610).
- Refit the countersunk screws (176) (4), (177) (6), (178) (8).



CAUTION

Avoid trapping cables and ensure cabling is tidy.

- Replace the front cover (300 to 330) and secure with countersunk screw (390).
- Reconnect the 3.5 mm connection cables (only with option R&S ZVBx-B16)
- Refit the 2 front handles (410) using the 4 screws.
- Connect the mains cable, turn on at the mains switch and press the ON key.

Replacing Flexible switch board (Keyboard) A16 / Key Pad A15

(See Chapter 5, Spare Parts List, Items 860, 870, 875, 877 and drawings 1145.1010, 1145.1384)

The flexible switch board (keyboard) and key pad are located behind the front cover and the keyboard frame.

Opening the instrument and removing the front unit

- Turn off the instrument and disconnect from the mains.
- Remove the 4 screws in the front handles (410), right and left, and take off the front handles
- Remove 3.5 mm connection cables (only with option R&S ZVBx-B16)
- Remove the countersunk screw (390) next to the display and pull off the front cover (300 to 330) forwards
- Remove the 2 countersunk screws (610) in the top of the front frame and the 2 in the bottom.
- Remove the countersunk screws (176) (4), (177) (6), (178) (8).
- Pull out the front unit together with the keyboard and display (600, 601, 602, 603) and place it with the key-side on top of the instrument.



CAUTION

The cables to the front module controller are still connected.

- Disconnect the cables to the LCD, the DC/AC illumination converter, the key pad (keyboard), the tachogenerator and, if necessary, the network connection to the front module controller.

Note: *When disconnecting cables, be especially careful with the cable to the keyboard. It is a foil cable and can only be removed when the locking device on the foil-cable connector is released.*

Removing the flexible switch board (keyboard) / key pad

- Place the front unit with the key-side upwards on a clean surface.
- Remove knob (990) from the tachogenerator.
- Undo the 10 countersunk screws (890) and remove the keyboard frame (800, 801, 805).
- The flexible switch board (860) and the key pad (870, 875) can now be replaced.

Installing a new flexible switch board / key pad and reassembling the instrument

- Insert the new flexible switch board (860) into the keyboard frame (800, 801, 805) from behind.

N.B.: *The positioning pins must be inserted in the holes in the keyboard frame.*

- Place the new key pad (870, 875) on the rear of the flexible switch board (860).

Note: Thread the foil cable's connector through the slot in the mounting tray.
Position the key pad so that the pins on the flexible switch board pass through the holes in the key pad.

- Place the rear of the display unit on the key pad (870, 875).

N.B.: Position the display unit so that the pins on the flexible switch board pass through the holes in the mounting tray.

- Press the front unit together, with the key-side upwards turn and screw back together again with 10 countersunk screws (890).
- Place the front unit with the key-side on top of the instrument so that the cables can be connected to the front module controller
- Reconnect the cables to the front module controller, ensuring correct polarity.

Front Module Controller Typ FMR6

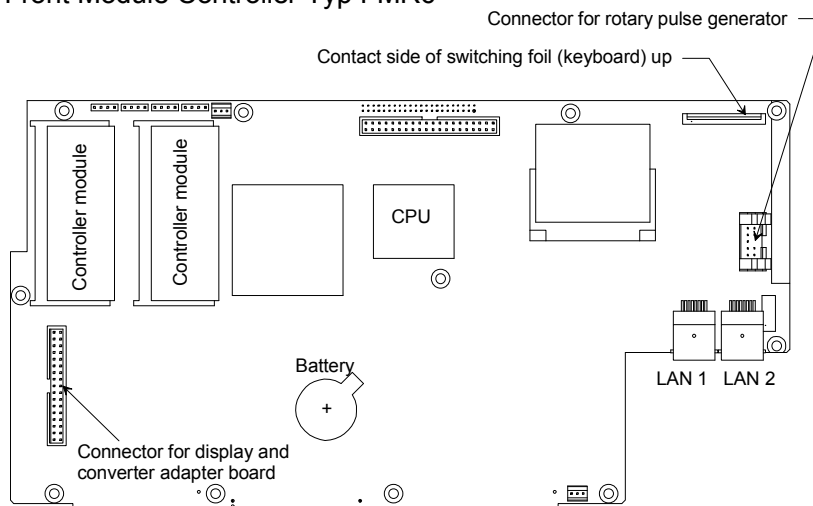


Fig. 3-6 Location of the edge contacts on the front module controller

- Reinsert the front unit into the instrument and secure to the front frame with 4 countersunk screws (610).
- Refit the countersunk screws (176)(4), (177) (6), (178) (8).



CAUTION

Avoid trapping cables and ensure cabling is tidy.

- Replace the front cover (300 to 330) and secure with the countersunk screw (390).
- Reconnect the 3.5 mm connection cables (only with option R&S ZVBx-B16)
- Refit the 2 front handles (410) using 4 screws.
- Connect the mains cable, turn on at the mains switch and press the ON key.

Replacing the Front Cover

(See Chapter 5, Spare Parts List, Items 300, 303, 306, 310, 313, 316, 317, 318, 320, 323, 324, 327, 328, 330 and drawing 1145.1010)

The front cover is the outermost front panel with lettering. Each instrument type has its own front cover.

- Turn off the instrument and disconnect from the mains.
- Remove the 4 screws in the front handles (410), right and left, and take off the front handles
- Remove 3.5 mm connection cables (only with option R&S ZVBx-B16)
- Remove the countersunk screw (390) next to the display and pull off the front cover (e.g. 300) forwards
- Fit the new front cover and reassemble the instrument by reversing the disassembly procedure.
- Connect the mains cable, turn on at the mains switch and press the ON key.

Replacing Disk Drive A30

(See Chapter 5, Spare Parts List, Item 670 and drawing 1145.1290)

Opening the instrument and removing the disk drive

- Turn off the instrument and disconnect from the mains, screw off the 4 rear-panel feet (460) and pull off the enclosure (400) backwards.
- Remove the 2 sems screws (700) and carefully lift out the floppy disk drive (670), together with the floppy disk holder (680).

N.B.: *The floppy cable to the motherboard is still connected.*

- Disconnect floppy cable (690) on the floppy disk drive.

Installing a new disk drive and reassembling the instrument

- Release the floppy disk drive by removing the 3 sems screws (702) from the floppy drive holder (680) and insert a new floppy disk drive (670) into the floppy drive holder (680).
- Connect floppy cable (690) on the floppy disk drive.
- Resecure the floppy disk drive (680) from above to the side of the instrument with the fan using 2 sems screws (700).

N.N.: *Center the floppy disk drive wrt the cut-out in the front cover.*

- Slide the enclosure (400) back on and screw the 4 rear-panel feet (460) into position.
- Connect the mains cable, turn on at the mains switch and press the ON key.

Function test

- The instrument boots up and starts the instrument firmware.
- Insert a 3 ½ "disk with files.
- Press the FILE key, then the File Manager softkey and Edit Path.
- Enter " a " and " : " with the screen functions and terminate with the Enter key.
- The directory structure of the disk displayed on the screen shows that the floppy disk drive is operating properly.

Replacing USB Board A40

(See Chapter 5, Spare Parts List, Item 1050 and drawings 1145.1290 and 1145.1384)

The USB board is located behind the front cover and the keyboard frame next to the ON key.

Opening the instrument and removing the USB-board

- Turn off the instrument and disconnect from the mains.
- Remove the 4 screws in the front handles (410), right and left, and take off the front handles
- Remove 3.5 mm connection cables (only with option R&S ZVBx-B16)
- Remove the countersunk screw (390) next to the display and pull off the front cover (300 to 330) forwards.
- Remove the 2 countersunk screws (610) in the top of the front frame and the 2 in the bottom.
- Remove the countersunk screws (176) (4), (177) (6), (178) (8).
- Pull out the front unit together with the keyboard and display (600, 601, 602, 603) forwards and place it with the key side on top of the instrument.

Remove the 2 screws (1060), disconnect the cable and remove the USB board (1050).

Fitting the USB board and reassembling the instrument

- Install the new USB board by reversing the removal procedure, replace all screws and connect and install the relevant cables (drawing 1145.1384).
- Insert the front unit back into the instrument and secure to the front frame with 4 countersunk screws (610).
- Refit the countersunk screws (176)(4), (177) (6), (178) (8).
- Replace the front cover (300 to 330) and secure with the countersunk screw (390).
- Reconnect the 3.5 connection cables (only with option R&S ZVBx-B16)
- Refit the 2 front handles (410) using 4 screws.
- Connect the mains cable, turn on at the mains switch and press the ON key.
- Check the USB board: Connect the mouse or keyboard and perform a function check.

Replacing Power Supply A20

(See Chapter 5, Spare Parts List, Items 790 and drawings 1145.1010, 1145.1290)

The power supply is installed at the rear of the instrument frame.

Removing the power supply

- Turn off the instrument and disconnect from the mains, screw off the 4 rear-panel feet (460) and pull off the enclosure (400) towards the rear.
- Remove the 2 countersunk screws (796) in the top of the instrument and the 8 semi screws. (795) in the rear panel of the power supply.
- Pull out the power supply unit a little at the rear of the instrument, remove screw (737) and anti-touch guard (736).
- On the left-hand side of the power supply, pull off the protective conductor cable and fuse board (735) to the left.
- On the right-hand side of the power supply, remove the plug-on connections to the motherboard.
- Remove the power supply unit.
- Remove the 4 screws (793) and washers (792) and remove the power supply (790) from the power supply plate (791).

Installing the new power supply

- Fit the new power supply by reversing the removal procedure.
- Push the enclosure (400) back on and screw the 4 rear-panel feet (460) into position.
- Connect the mains cable, turn on at the mains switch and press the ON key.
- Select Service Level 2 (see Service Functions).
- When the instrument has been started, check the protocol file for errors
[INFO : Error Log]

Replacing Fuse board A21

(See Chapter 5, Spare Parts List, Item 735, and drawings 1145.1010, 1145.1290)

The fuse board is installed on the left-hand side of the power supply.

Removing the power supply and the fuse board

- Turn off the instrument and disconnect from the mains, screw off the 4 rear-panel feet (460) and pull off the enclosure (400) backwards.
- Remove the 2 countersunk screws (796) in the top of the instrument and the 8 semi screws. (795) in the rear panel of the power supply.
- Pull out the power supply unit a little at the rear of the instrument, remove screw (737) and anti-touch guard (736).
- On the left-hand side of the power supply, pull off the fuse board (735) to the left.
- Disconnect the two mains cables from the fuse board.

Fitting the new fuse board and the power supply

- Connect the mains cables to the fuse board and refit the fuse board to the power supply.
- Secure the anti-touch guard (736) with screw (737).
- Reinstall the power supply by reversing the removal procedure.
- Push the enclosure (400) back on and screw the 4 rear-panel feet (460) into position.
- Connect the mains cable, turn on at the mains switch and press the ON key.
- Select Service Level 2 (see Service Functions).
- When the instrument has been started, check the protocol file for errors
[INFO : Error Log]

Replacing a Fan

(See Chapter 5, Spare Parts List, Item 15 and drawings 1145.1010, 1145.1290, 1145.1332)

The fans, three in all, are located behind the right-hand side panel.

Opening the instrument and removing the fan

- Turn off the instrument and disconnect from the mains, screw off the 4 rear-panel feet (460) and pull off the enclosure (400) backwards.
- Lift off the top instrument cover (296) after undoing the 23 (2 ports) or 28 (4 ports) countersunk screws (298).
- Remove the 4 screws in the front handles (410), right and left, and take off the front handles.
- Remove 3.5 mm connection cables (only with option R&S ZVBx-B16)
- Remove the countersunk screw (390) next to the display and pull off the front cover (300 to 330) forwards
- Remove the 2 countersunk screws (610) in the top of the front frame and the 2 in the bottom.
- Remove the countersunk screws (176) (4), (177) (6), (178) (8)
- Pull out the front unit together with the keyboard and display (600, 601, 602, 603) forwards.
- Disconnect the fan cable on the motherboard X35, X36 and X37 (FAN).
- Undo the 2 screws (19) and the 5 screws (17) and remove fan plate (50) with the 3 fans (15).
- Remove fan (15) by undoing the 4 fan screws (18).

Fitting a new fan and reassembling the instrument

- Install the fan using the 4 fan screws.
N.B.: *The arrows on the fan show the installation position. The fan blows air into the instrument. Route the fan cable so that it cannot get caught in the fan.*
- Reinsert the fan plate with the 3 fans on it into the instrument and secure with 2 screws (19) and 5 screws (17).
- Connect the fan cabling on the motherboard X35, X36 and X37 (FAN).
- Reinsert the front unit into the instrument and secure to the front frame with 4 countersunk screws (610).
- Refit the countersunk screws (176) (4), (177) (6), (178) (8).



CAUTION

Avoid trapping cables and ensure cabling is tidy.

- Replace the front cover (300 to 323) and secure with the countersunk screw (390).
- Reconnect the 3.5 mm connection cables (only with option R&S ZVBx-B16)
- Refit the 2 front handles (410) using 4 screws.
- Refit the top instrument cover (296) with 23 (2 ports) or 28 (4 ports) countersunk screws (298).
- Connect the mains cable, turn on at the mains switch and press the ON key.
- Check that all three fans are operating correctly (fans are blowing air into the instrument).
- Turn off the instrument and disconnect the mains cabling again.

- Push the enclosure (400) back on and screw the 4 rear-panel feet (460) into position.
- Connect the mains cable, turn on at the mains switch and press the ON key.

Replacing Motherboard A10

(See Chapter 5, Spare Parts List, Item 510 and drawings 1145.1010, 1145.1290)

The motherboard is located on the base of the instrument.

N.B.: *The motherboard can only be replaced at R&S service centers.*

Opening the instrument and removing the motherboard

- Turn off the instrument and disconnect from the mains, screw off the 4 rear-panel feet (460) and pull off the enclosure (400) backwards.
- Lift off the top instrument cover (296) after undoing the 23 (2 ports) or 28 (4 ports) countersunk screws (298).
- Extract the top boards: Use ejector lever for the synthesizer and network controller, hold the frequency reference by the enclosure.
- Remove the power supply (550).
 - Remove the 2 countersunk screws (796) in the top of the instrument and the 8 screws (795) in the rear panel of the power supply.
 - Pull out the power supply unit a little at the rear of the instrument, remove screw (737) and anti-touch guard (736).
 - On the left-hand side of the power supply, pull off the protective conductor cable and the fuse board (735) to the left.
 - On the right-hand side of the power supply, pull off the plug-in connections to the motherboard.
 - Remove the power supply unit.
- Remove the 4 screws in the front handles (410), right and left, and take off the front handles.
- Remove 3.5 mm connection cables (only with option R&S ZVBx-B16)
- Remove the countersunk screw (390) next to the display and pull off the front cover (300 to 330) forwards
- Remove the 2 countersunk screws (610) in the top of the front frame and the 2 in the bottom.
- Remove the countersunk screws (176) (4), (177) (6), (178) (8).
- Pull out the front unit together with the keyboard and display (600, 601, 602, 603) forwards.



CAUTION

The cables to the front module controller are still connected.

- Disconnect the cables to the LCD, the DC/AC illumination converter, the key pad (keyboard), the tachogenerator and, if necessary, the network connection to the front module controller.

Note: *When disconnecting cables, be especially careful with the cable to the keyboard. It is a foil cable and can only be removed when the locking device on the foil-cable connector is released.*

- Remove the front module controller (for instructions see “Replacing Front Module Controller A90”)
- Place the instrument on its top and remove the instrument’s base cover (297) by undoing the 12 countersunk screws (299).
- Undo the RF cabling from the reflectometers (165, 170, 175) to the LO divider (125) and to the motherboard.
- Release the 50-pin flat cable and disconnect from the reflectometers
- Remove screws (151, 156, 161) and take out the reflectometers.
- Undo RF cabling at the LO divider (125).
- Disconnect the 12-pin flat cable from the LO divider
- Remove screws (127) (2 in the strut, 4 in the rear panel) and take out the LO divider together with plate (126)

Undo the screws holding the connectors on the rear panel:

- The 6 hexagonal nuts and washers for the BNC connectors.
 - 2 hexagonal bolts (530, 540) each for the monitor interface and the user-control interface.
 - 2 hexagonal screws (550) each for the USB interface and in the dummy panel (555).
- Remove the 3 screws (144) each for the left and right side panels and the 2 screws (143) in the center and take out both motherboard rails (140, 141).
 - Disconnect any cabling still on the motherboard (fan, floppy, IEC-bus, etc.).
 - Remove the 14 screws holding the motherboard (520) and take out the motherboard.

Installing the motherboard and reassembling the instrument

N.B.: *The motherboard is the passport of the instrument and unique for every unit.
The Eprom on the motherboard contains the serial No. of the instrument.
Pre-configured motherboards are not available.*

- Install the new motherboard by reversing the removal procedure.

N.B.: *Install the motherboard carefully to prevent any damage to components.
Lettering indicates where cables are to be connected.*

- Reinstall the front module controller, front unit, power supply, boards and cables, instrument covers, enclosure and rear-panel feet by reversing the disassembly procedure.
- Connect the mains cable, turn on at the mains switch and press the ON key.
- For writing motherboard data to the Eprom please contact the service center in Munich.
- Select Service Level 2 (see Service Functions).
- Check the protocol file for errors: [INFO : Error Log]
- Align the DC inputs (see **Aligning the DC Inputs**)
- Write synthesizer mapping and shift data to the motherboard Eprom (see **Correction Value Recording**)

Replacing a Reflectometer RM8 A510 to 540

(See Chapter 5, Spare Parts List, Items 165, 170, 175 and drawing 1145.1010)

The boards are located under the motherboard.

Opening the instrument and removing the board

- Turn off the instrument and disconnect from the mains, screw off the 4 rear-panel feet (460) and pull off the enclosure (400) backwards.
- Remove the bottom instrument cover (297) after undoing the 12 countersunk screws (299).
- Remove the 4 screws in the front handles (410), right and left, and take off the front handles.
- Remove the countersunk screw (390) next to the display and pull off the front cover (300 to 330) forwards
- Remove the 2 screws (176, 177, 178) in the front of the instrument next to the port connector.
- Disconnect the source cable, the LO cable, the two IF cables and the 50-pin control cable from the reflectometer.
- Remove the 2 screws (151, 156, 161) at the end of the reflectometer and take out the reflectometer

Installing the board and reassembling the instrument

- Insert the new board into the instrument and reconnect any cables that have been disconnected
N.B.: Use the lettering on the motherboard as an aid.
- Screw in the 2 screws (176, 177, 178) in the front of the instrument next to the port connector.
- Screw in the 2 screws (151, 156, 161) in the end of the reflectometer.
- Fit the instrument base cover (297) and secure with 12 countersunk screws (299).
- Replace the front cover (300 to 323) and secure with the countersunk screw (390).
- Refit the 2 front handles (410) using 4 screws.
- Slide the enclosure (400) back on and screw the 4 rear-panel feet (460) into position.
- Connect the mains cable and turn on at the mains switch. The instrument is now in the standby mode.
- Select Service Level 2 (see Service Functions).
- When the instrument has been started, check the protocol file for errors:
[INFO : Error Log]
- Record the generator and receiver correction data (see **Recording Correction Values**).
- Perform the factory system error calibration (see **Factory System Error Calibration**).

Replacing Generator Board (R&S ZVB4/8 only)

(See Chapter 5, Spare Parts List, Item 110 and drawing 1302.4960.08)

Opening the instrument and removing the board

- Remove the Reflectometer (see chapter **Replacing a Reflectometer RM8 A510 to A540**)
- Remove the cover (130)
- Remove the fan cable
- Pull off the Generator Board (110)

Installing the board and reassembling the instrument

- Fit the new Generator Board (110)
- Reconnect the fan cable
- Fit the cover (130)
- Reinstall the Reflectometer (see chapter **Replacing a Reflectometer RM8 A510 to A540**)
- Connect the mains cable and turn on at the mains switch. The instrument is now in the standby mode
- Select Service Level 2 (see Service Functions).
- When the instrument has been started, check the protocol file for errors:
[INFO : Error Log]
- Record the generator and receiver correction data (see **Recording Correction Values**).
- Perform the factory system error calibration (see **Factory System Error Calibration**).

Replacing Receiver Board

(R&S ZVB4/8 only)

(See Chapter 5, Spare Parts List, Item 120, 125 and drawing 1302.4960.08)

Opening the instrument and removing the board

- Remove the Reflectometer (see chapter **Replacing a Reflectometer RM8 A510 to A540**)
- Remove the cover (150)
- Pull off the Receiver Board (120, 125)

Installing the board and reassembling the instrument

- Fit the new Receiver Board (120, 125)
- Fit the cover (150)
- Reinstall the Reflectometer (see chapter **Replacing a Reflectometer RM8 A510 to A540**)
- Connect the mains cable and turn on at the mains switch. The instrument is now in the standby mode
- Select Service Level 2 (see Service Functions).
- When the instrument has been started, check the protocol file for errors:
[INFO : Error Log]
- Record the generator and receiver correction data (see **Recording Correction Values**).
- Perform the factory system error calibration (see **Factory System Error Calibration**).

Replacing Generator and Receiver Cover (R&S ZVB4/8 only)

(See Service Circular 10028 and Chapter 5, Spare Parts List, Items 130, 150 and drawing 1302.4960.08)

Opening the instrument and removing the cover

- Remove the Reflectometer (see chapter **Replacing a Reflectometer RM8 A510 to A540**)
- Remove the RM mount (200), 4 Screws (210)
- Remove the covers (130, 150)

Installing the cover and reassembling the instrument

- Fit the new covers (130, 150)
- Refit the RM mount (200)
- Reinstall the Reflectometer (see chapter **Replacing a Reflectometer RM8 A510 to A540**)
- Connect the mains cable and turn on at the mains switch. The instrument is now in the standby mode
- Select Service Level 2 (see Service Functions).
- When the instrument has been started, check the protocol file for errors:
[INFO : Error Log]
- Record the receiver correction data (see **Recording Correction Values**).
- Perform the factory system error calibration (see **Factory System Error Calibration**).

Replacing the Inner Conductor of a Port Connector (R&S ZVB4/8 only)

(See Chapter 5, Spare Parts List, Item 110, and drawings 1145.1010, 1145.3593, 1145.3664)

Opening the instrument and removing the reflectometer

- Remove the Reflectometer (see chapter **Replacing a Reflectometer RM8 A510 to A540**)

Replacing the inner conductor

- Unscrew the N outer conductor with a spanner (narrow, SW 14 mm) and take out inner conductor unit.

***N.B.:** Ensure that the centring disk (135) is also removed.*

- Carefully insert the new inner conductor in the bridge unit enclosure and screw back the N outer-conductor (lock with Loctite 262, mount with torque 3.5 Nm).

Reassembling the instrument

- Reinstall the Reflectometer (see chapter **Replacing a Reflectometer RM8 A510 to A540**)
- Connect the mains cable and turn on at the mains switch. The instrument is now in standby mode.
- Select Service Level 2 (see Service Functions).
- When the instrument has been started, check the protocol file for errors:
[INFO : Error Log]
- Perform factory system error calibration (see **Factory System Error Calibration**).

Replacing the Bridge Unit (R&S ZVB4/8 only)

(See Chapter 5, Spare Parts List, drawings 1145.1010, 1145.3664, Item 100)

Opening the instrument and removing the reflectometer

- Remove the Reflectometer (see chapter **Replacing a Reflectometer RM8 A510 to A540**)

Removing the bridge unit

- Loosen the MEAS, REF and GEN cables (310, 320, 300) at both ends and disconnect at the bridge unit.

***N.B.:** When loosening support the cable with a 7 mm spanner!*

- Remove the 3 screws (160) and carefully pull the bridge unit off the reflectometer.
- Remove the 2 screws (240) and remove the plate (230).

Fitting the new bridge unit

- Secure plate (230) to the new bridge unit using the 2 screws (240).
- Carefully place the bridge unit on the reflectometer and secure with 3 screws (160).
- Screw the MEAS- REF and GEN cables (310, 320, 300) to the bridge unit, and then tighten at both ends.

***N.B.:** When tightening with a 7 mm spanner support the cable.*

Reassembling the instrument

- Reinstall the Reflectometer (see chapter **Replacing Reflectometer RM8 A510 to A540**)
- Connect the mains cable and turn on at the mains switch. The instrument is now in standby mode
- Select Service Level 2 (see Service Functions).
- When the instrument has been started, check the protocol file for errors:
[INFO : Error Log]
- Record generator and receiver correction data (see **Recording Correction Data**).
- Perform factory system error calibration (see **Factory System Error Calibration**).

Replacing a Reflectometer RM20 A510 to 540

(See Chapter 5, Spare Parts List, Items 180, 185, 190 and drawings 1145.1010, 1302.4425)

The boards are located under the motherboard.

Opening the instrument and removing the board

- Turn off the instrument and disconnect from the mains, screw off the 4 rear-panel feet (460) and pull off the enclosure (400) backwards.
- Remove the bottom instrument cover (297) after undoing the 12 countersunk screws (299).
- Disconnect the 3 cables to the coupler, the LO cable, the two IF cables and the 50-pin control cable from the reflectometer (in case of Mod. 22 this is also necessary for the second reflectometer of the associated 2RM unit).
- R&S ZVB14, mod. 14 and 19, R&S ZVB20, mod. 20 and 25: Remove the screws (232) and take off the cover (230).
- R&S ZVB14, R&S ZVB17, R&S ZVB20, mod. 20, 21, and 23, R&S ZVB14 mod 19 (port3 and4), R&S ZVB20, mod. 25 (port3 and4): Remove the screws (210, 215 or 246, 248)) and take out the reflectometer.
- R&S ZVB20 mod. 22: Remove the screws (210), take out the complete 2RM unit and remove the screws (90).
- R&S ZVB14 mod. 19 (port1 and 2), R&S ZVB20 mod. 25 (port1 and 2): Remove the reflectometer for port1 (port2).
Then remove the screws (210) and take out the reflectometer.

Installing the board and reassembling the instrument

- Insert the new reflectometer into the instrument by reversing the removal procedure and reconnect any cables that have been disconnected
- Fit the instrument base cover (297) and secure with 12 countersunk screws (299).
- Slide the enclosure (400) back on and screw the 4 rear-panel feet (460) into position.
- Connect the mains cable and turn on at the mains switch. The instrument is now in the standby mode
- Select Service Level 2 (see Service Functions).
- When the instrument has been started, check the protocol file for errors:
[INFO : Error Log]
- Record the generator and receiver correction data (see **Recording Correction Values**).
- Perform the factory system error calibration (see **Factory System Error Calibration**).

Replacing the Coupler Unit (R&S ZVB20 only)

(See Chapter 5, Spare Parts List, drawing 1145.1010, item 200)

Opening the instrument and removing the coupler

- Turn off the instrument and disconnect from the mains, screw off the 4 rear-panel feet (460) and pull off the enclosure (400) backwards.
- Remove the instrument base cover (297) after undoing the 12 countersunk screws (299).
- Remove the 4 screws in the front handles (410), right and left, and take off the front handles
- Remove 3.5 mm connection cables (only with option R&S ZVBx-B16)
- Remove the countersunk screw (390) next to the display and pull off the front cover forwards
- Disconnect the 3 RF cables and the bias cable from the coupler
- Remove the 4 screws (181, 186, 220) in the front of the instrument next to the port connector and take out the coupler.

Fitting the new coupler unit and reassembling the instrument

- Insert the coupler into the instrument and screw in the 4 screws (181, 186, 220).
- Reconnect the 3 RF cables and the bias cable.
- Fit the instrument base cover (297) and secure with 12 countersunk screws (299).
- Refit the front cover and screw in the countersunk screw (390).
- Refit the front handles (410).
- Refit 3.5 mm connection cables (only with option R&S ZVBx-B16)
- Push the enclosure (400) back on and screw the 4 rear-panel feet (460) into position.
- Connect the mains cable and turn on at the mains switch. The instrument is now in standby mode
- Select Service Level 2 (see Service Functions).
- When the instrument has been started, check the protocol file for errors:
[INFO : Error Log]
- Record generator and receiver correction data (see **Recording Correction Data**).
- Perform factory system error calibration (see **Factory System Error Calibration**).

Replacing the Reflectometer Fan

(See Chapter 5, Spare Parts List, Item 80, 190 and drawings 1145.1010, 1145.3664, 1145.4277)

- Remove the Reflectometer (see chapter **Replacing a Reflectometer RMxx A510 to A540**)

Replacing the fan

- Disconnect the fan cable at the reflectometer.
- Undo the 4 holding screws (90,194) and remove the fan.
- Insert the new fan (cable outlet to the outside).
- Screw back the 4 screws (90, 194) and washers (100, 192, 193).

Reassembling the instrument

- Reinstall the Reflectometer (see chapter **Replacing a Reflectometer RMxx A510 to A540**)
- Connect the mains cable, turn on at the mains switch and press the ON key.
- Check that the fan is operating.
- Turn off the instrument again and disconnect from the mains.
- Fit the instrument base cover (297) and secure with 12 countersunk screws (299).
- Push the enclosure (400) back on and screw the 4 rear-panel feet (460) into position.
- Reconnect the mains cable and turn on at the mains switch. The instrument is now in the standby mode.

Replacing Network Controller Board A130, A140

(See Chapter 5, Spare Parts List, Items 100, 105 and drawing 1145.1010)

The board is in the upper section of the instrument.

Opening the instrument and removing the board

- Turn off the instrument and disconnect from the mains, screw off the 4 rear-panel feet (460) and pull off the enclosure (400) backwards.
- Lift off the instrument top cover (296) after undoing the 23 (2 ports) or 28 (4 ports) countersunk screws (298).
- Extract the network controller using the ejector lever

Fitting the board and reassembling the instrument

- Fit the new board in the instrument.
- Refit the top instrument cover (296) with 23 (2 ports) or 28 (4 ports) countersunk screws (298).
- Slide the enclosure (400) back on and screw the 4 rear-panel feet (460) into position.
- Connect the mains cable and turn on at the mains switch. The instrument is now in the standby mode
- Select Service Level 2 (see Service Functions).
- When the instrument has been started, check the protocol file for errors:
[INFO : Error Log]
- Record the receiver correction data (see **Recording Correction Values**).
- Perform factory system error calibration (see **Factory System Error Calibration**).
- Align the DC inputs (see **Aligning the DC Inputs**).

Replacing Synthesizer Board A150, A160

(See Chapter 5, Spare Parts List, Items 110, 111, 112, 113, 115 and drawing 1145.1010)

The board is located in the upper section of the instrument.

N.B.: Synthesizers with part numbers 1145.xxxx or 1300.xxxx are no longer available. In case of defect please contact the Central Service in Munich.

Opening the instrument and removing the board

- Turn off the instrument and disconnect from the mains, screw off the 4 rear-panel feet (460) and pull off the enclosure (400) backwards.
- Lift off the instrument top cover (296) after undoing the 23 (2 ports) or the 28 (4 ports) countersunk screws (298).
- Extract the synthesizer with the ejector lever.

Installing the board and reassembling the instrument

- Insert the new board into the instrument.
- Refit the instrument top cover (296) securing with the 23 (2 ports) or the 28 (4 ports) countersunk screws (298).
- Push the enclosure (400) back on and screw the 4 rear-panel feet (460) into position.
- Connect the mains cable and turn on at the mains switch. The instrument is now in the standby mode.
- Install firmware update, if necessary (version ≥ 1.78).
- Install synthesizer mapping (see **Correction Value Recording**)
- Select Service Level 2 (see Service Functions).
- When the instrument has been started, check the protocol file for errors:
[INFO : Error Log]
- Record the generator and receiver correction data (see **Correction Value Recording**).
- Perform factory system error calibration (see **Factory System Error Calibration**).

Replacing LO Divider A600

(See Chapter 5, Spare Parts List, Item 125 and drawing 1145.1010)

The board is located under the motherboard.

Opening the instrument and removing the board

- Turn off the instrument and disconnect from the mains, screw off the 4 rear-panel feet (460) and pull off the enclosure (400) backwards.
- Remove the instrument base cover (297) after undoing the 12 countersunk screws (299).
- R&S ZVB20: Remove the reflectometer units
- Disconnect the RF cable and the 12 pin control cable from the LO divider.
- Remove the 2 screws (128) and remove the LO divider.

Installing the board and reassembling the instrument

- Insert the new board into the instrument and secure with 2 screws (128).
- Reconnect the RF cable and the 12 pin control cable.
- R&S ZVB20: Reinstall the reflectometer units
- Fit the instrument base cover (297) and secure with 12 countersunk screws (299).
- Push the enclosure (400) back on and screw the 4 rear-panel feet (460) into position.
- Connect the mains cable and turn on at the mains switch. The instrument is now in the standby mode
- Select Service Level 2 (see Service Functions).
- When the instrument has been started, check the protocol file for errors:
[INFO : Error Log]
- Record the receiver correction data (see **Recording Correction Data**).
- Perform factory system error calibration (see **Factory System Error Calibration**).

Replacing Frequency Reference Board A100

(See Chapter 5, Spare Parts List, Item 120 and drawings 1145.1010, 1164.1770)

Opening the instrument and replacing the board

- Turn off the instrument and disconnect from the mains, screw off the 4 rear-panel feet (460) and pull off the enclosure (400) backwards.
- Lift off the instrument top cover (296) after undoing the 23 (2 ports) or the 28 (4 ports) countersunk screws (298).
- Extract the frequency reference board (120).

Installing the board and reassembling the instrument

- Insert the new board into the instrument
- Refit the instrument top cover (296) with the 23 (2 ports) or the 28 (4 ports) countersunk screws (298).
- Push the enclosure (400) back on and screw the 4 rear-panel feet (460) into position.
- Connect the mains cable and turn on at the mains switch. The instrument is now in the standby mode
- Select Service Level 2 (see Service Functions).
- When the instrument has been started, check the protocol file for errors:
[INFO : Error Log]

Troubleshooting

The instructions in this manual describe troubleshooting down to the board level. Any defective boards can then be replaced and the instrument put back into operation. A selftest which checks the board diagnostic voltages and displays limit violations is provided to facilitate troubleshooting and diagnosis.

We recommend that you return your instrument to the technical specialists at an R&S service facility for board replacement and any further repairs that may be needed (see the address list at the beginning of this manual).



WARNING

Do not insert or remove boards that are still live
Avoid causing shorts when measuring voltages

The R&S ZVB has the following facilities to simplify diagnosis:

- Selftest
- Service functions

N.B. *The first thing to do if you encounter any problems is to check if any connection (cables, edge connectors etc.) are damaged or even incorrectly inserted.*

Test Equipment and Accessories

Item.	Instrument type	Recommended features	Recommended model	R&S Order No.	Qty.
1	DC meter		R&S URE	0350.5315.02	1
2	Power supply	0 to 10 V			
3	Spectrum analyzer	Frequency range 0 to 20 GHz	R&S FSEB 20	1066.3010.20	1
4	Adapter cable	1 m long SMP male to SMA male	-	1129.8259.00	1
5	Adapter cable	0.5 m long SMP male to SMP male	-	1129.8265.00	1
6	SMA cable	0.5 m long SMA male to SMA male	-	1142.5895.00	2
7	SMA cable	1 m long SMA male to SMA male	-	1142.5889.00	2
8	BNC cable	1 m to 2 m long BNC male to BNC male	-	e.g. 1100.8850.00	1
9	Adapter	SMA female to N male	-	4012.5837.00	2
10	Adapter	N male to BNC female	-	0118.2812.00	1
11	Termination	SMA termination. 50 Ω male	-	0249.7823.00	3
12	SMP adapter	SMP female to SMP female	-	1093.6869.00	1
13	Adapter board	Extension 150 mm high, 48 pins, 2 mm pitch	-	1100.3542.02	1
14	Conn. Cables for DC Inputs	4-pin mini-DIN plug	R&S ZV-Z71	1164.1005.02	1

Troubleshooting - Power-up Problems

- **Fault: It is not possible to turn on the R&S ZVB.**

Action	Cause of fault / remedy
Check mains switch on the rear panel ↓ Check LED is yellow (standby) ↓	Mains switch OFF: Turn on at mains switch. LED does not come on: <ul style="list-style-type: none"> ➤ Measure voltage at X92.C23 (Front module controller): Nom. value: +13.5 V ± 1V Nom. value reached: Fault in key pad or controller. No voltage: Power supply defective or short to 12 V standby.
Turn on instrument. Check LED is green ↓	LED does not come on: <ul style="list-style-type: none"> ➤ Measure the PWR-ON signal at power supply X92.B24: < 1V for ON Voltage > 1V: Key pad or controller defective.

- **Fault: Fan not working.**

Action	Cause of fault / remedy
Check voltage at connector: X35, X36, X37 pin 3: nom. value 12 V ↓	If no voltage can be measured the fan fuse may be defective (F12, F62, F63)
Select Service Function Set Service Level 1 Set Service Function 2.5.0.11.1.5 (max. fan speed) Check voltage at connector: X35, X36, X37 pin 3: nom. value 0.9V	

Troubleshooting Boot Problems

- **Fault: R&S ZVB does not start the measurement application.**

The first action the R&S ZVB performs after power-up is booting BIOS for the processor. When the processor has been successfully initialised, the Windows XP start-up procedure begins. Then, the measurement application is loaded as an autostart program.

If there are errors during the boot phase, messages indicate possible defects.

The message “No System Disk or Disk error...” indicates that the hard disk data is corrupt. If this is the case, replace the hard disk.

If the operating system on the hard disk has been corrupted and so cannot be loaded correctly, Windows XP outputs a “blue screen”.

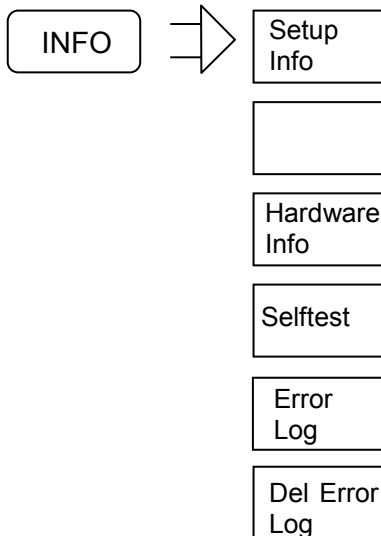
This screen summarizes all the key information about the internal status of the processor.

Troubleshooting - Boot Error

If the message below appears on the screen when the boot procedure has been completed,

Warning: Boot error occurred. For details browse Error Log file.

the cause of the error can be found in the Error-Log file.



Press the *Error Log* softkey.

The results are displayed on the screen.

Cause of error: Data cannot be read from one or more boards.

When the instrument is booted, all the calibration data that is required must be written to the processor's RAM.

When the NWA application is started, the entry on the hard disk is compared with the Eprom data on the board. If the data matches, the data is loaded from the hard disk into RAM. If there is not a match, the Eprom data is written to the hard disk and then loaded into RAM.

If the data at the specified address cannot be read, a check is made in Config.ini to check if the board in question should be present. If so, the board is simulated (i.e. if this board is present and is functioning physically, the instrument will function) and an entry is made in the ErrorLog file.

If a board must always be physically present, (frequency reference, synthesizer1, NetworkControler1, reflectometer1, reflectometer2), an error message is output.

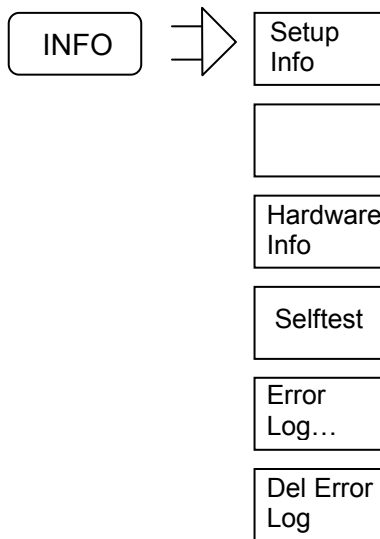
See: Troubleshooting with the Selftest

Troubleshooting with the Selftest

The selftest is used to check supply voltages to the boards, including voltages generated on the boards themselves. On the frequency reference board, two clock signals (128 MHz and ADC-CLK) are also measured.

Starting the selftest:

- Select Service Level 2 (see Service Functions) – this means that the temperature sensor readings are displayed and tighter voltage tolerances used.
- Call the selftest in the INFO menu:



Start the selftest with the *Selftest* softkey.

The selftest results are displayed on the screen.

In the selftest result-table, an abbreviation is used for every board designation:

Fr	Frequency reference
Nd1	Network controller1, digital section
Nd2	Network controller2, digital section (only 4-port instruments)
Sy1/DDSCON	Synthesizer1
Sy1/DDSCON	Synthesizer2(only 3-port and 4-port instruments)
Rm1	Reflectometer port1
Rm2	Reflectometer port2
Rm3	Reflectometer port3 (applies only to 3-port and 4-port-instruments)
Rm4	Reflectometer port4 (applies only to 4-port instruments)

Total selftest status: user mode ---PASSED---



Instrument Type: R&S ZVB8 with 4 Ports

Part Number: 1145.1010k10

Product ID: 01.00

Serial Number: 100124

IP Addresses

IP Address: 0.0.0.0&nbs;

Subnet Mask: 0.0.0.0

IP Address: 0.0.0.0

Subnet Mask: 0.0.0.0

IP Address: 127.0.0.1 (Localhost)

Subnet Mask: 255.0.0.0

SyMapping: R&S ZVB8_P4

LO Divider: is active

Date: 05/28/04

Time: 14:52:57

Voltages Fr

Test description	Min	Max	Result	State
+10V_A SUPPLY	1.550V	1.950V	1.756V	PASSED
+5V_A SUPPLY	1.400V	1.800V	1.560V	PASSED
+5V_REF	1.400V	1.800V	1.560V	PASSED
+12V_STB	1.900V	2.300V	2.112V	PASSED
128_VCXO	0.800V	4.000V	2.696V	PASSED
ADC_CLK	0.800V	4.000V	2.060V	PASSED
-10V_A SUPPLY	1.900V	2.300V	2.128V	PASSED
-5V_A SUPPLY	2.100V	2.500V	2.264V	PASSED

Voltages Nd1

Test description	Min	Max	Result	State
+5VA_ADC	2.250V	2.750V	2.488V	PASSED
+2.5VD_MDD1	1.125V	1.375V	1.264V	PASSED
+2.5VD_MDD2	1.125V	1.375V	1.264V	PASSED
+1.5VD_FCON	0.675V	0.825V	0.752V	PASSED
-5VA_ADC	2.250V	2.750V	2.464V	PASSED
DGND1	0.000V	0.200V	0.000V	PASSED
DGND2	0.000V	0.200V	0.000V	PASSED
AGND	0.000V	0.200V	0.000V	PASSED

Voltages Nd2

Test description	Min	Max	Result	State
+5VA_ADC	2.250V	2.750V	2.484V	PASSED
+2.5VD_MDD1	1.125V	1.375V	1.260V	PASSED

+2.5VD_MDD2	1.125V	1.375V	1.260V	PASSED
+1.5VD_FCON	0.675V	0.825V	0.752V	PASSED
-5VA_ADC	2.250V	2.750V	2.460V	PASSED
DGND1	0.000V	0.200V	0.000V	PASSED
DGND2	0.000V	0.200V	0.000V	PASSED
AGND	0.000V	0.200V	0.000V	PASSED

Voltages Sy1\DDSCON

Test description	Min	Max	Result	State
+10V_A SUPPLY	1.500V	2.000V	1.752V	PASSED
+5V_A SUPPLY	1.300V	1.800V	1.560V	PASSED
+5V_REF	1.300V	1.800V	1.568V	PASSED
+7V_A SUPPLY	1.400V	1.900V	1.628V	PASSED

Voltages Sy2\DDSCON

Test description	Min	Max	Result	State
+10V_A SUPPLY	1.500V	2.000V	1.752V	PASSED
+5V_A SUPPLY	1.300V	1.800V	1.560V	PASSED
+5V_REF	1.300V	1.800V	1.564V	PASSED
+7V_A SUPPLY	1.400V	1.900V	1.616V	PASSED

Voltages Rm1

Test description	Min	Max	Result	State
GND	0.000V	0.200V	0.000V	PASSED
GND	0.000V	0.200V	0.000V	PASSED
+5V SUPPLY	2.300V	2.700V	2.496V	PASSED
+10.5VA SUPPLY	2.300V	2.800V	2.564V	PASSED
+10.5VB SUPPLY	2.300V	2.800V	2.564V	PASSED
+12V FAN	2.000V	2.600V	2.216V	PASSED
+12V SUPPLY	2.000V	2.600V	2.204V	PASSED
-12V SUPPLY	1.600V	2.000V	1.796V	PASSED

Voltages Rm2

Test description	Min	Max	Result	State
GND	0.000V	0.200V	0.000V	PASSED
GND	0.000V	0.200V	0.000V	PASSED
+5V SUPPLY	2.300V	2.700V	2.500V	PASSED
+10.5VA SUPPLY	2.300V	2.800V	2.576V	PASSED
+10.5VB SUPPLY	2.300V	2.800V	2.592V	PASSED
+12V FAN	2.000V	2.600V	2.204V	PASSED
+12V SUPPLY	2.000V	2.600V	2.204V	PASSED
-12V SUPPLY	1.600V	2.000V	1.796V	PASSED

Voltages Rm3

Test description	Min	Max	Result	State
GND	0.000V	0.200V	0.000V	PASSED
GND	0.000V	0.200V	0.000V	PASSED
+5V SUPPLY	2.300V	2.700V	2.500V	PASSED
+10.5VA SUPPLY	2.300V	2.800V	2.584V	PASSED
+10.5VB SUPPLY	2.300V	2.800V	2.600V	PASSED
+12V FAN	2.000V	2.600V	2.196V	PASSED
+12V SUPPLY	2.000V	2.600V	2.220V	PASSED
-12V SUPPLY	1.600V	2.000V	1.800V	PASSED

Voltages Rm4

Test description	Min	Max	Result	State
GND	0.000V	0.200V	0.000V	PASSED
GND	0.000V	0.200V	0.000V	PASSED
+5V SUPPLY	2.300V	2.700V	2.492V	PASSED
+10.5VA SUPPLY	2.300V	2.800V	2.604V	PASSED
+10.5VB SUPPLY	2.300V	2.800V	2.568V	PASSED
+12V FAN	2.000V	2.600V	2.216V	PASSED
+12V SUPPLY	2.000V	2.600V	2.136V	PASSED
-12V SUPPLY	1.600V	2.000V	1.804V	PASSED

[Voltages Fr](#)

[Voltages Nd1](#)

[Voltages Nd2](#)

[Voltages Sy1\DDSCON](#)

[Voltages Sy2\DDSCON](#)

[Voltages Rm1](#)

[Voltages Rm2](#)

[Voltages Rm3](#)

[Voltages Rm4](#)

[Home](#)

Interpreting the Results of the Selftest

Negative voltages are transformed into positive voltages by means of a positive voltage and a resistor network because the A/D converters that are used can handle only positive voltages. This is why an acceptable negative voltage may elicit a FAIL because the associated positive voltage is out of tolerance.

The voltages supplied by the power supply are not checked directly. The failure of a power supply voltage can, however, be deduced from FAILs of certain voltages on several boards. The following Table shows how the board-oriented voltages checked during the selftest are derived from the power supply voltages.

Power supply	+3.4 V	+5.2 V	+6.5 V	+8.25 V	+12.25 V	-6.5 V	-12.25 V
Fr			+5V_A +5 V_REF		+10 V_A +12V_STB	-5 V_A	-10 V_A
Nd	+2.5 VD_MDD1 +2.5 VD_MDD2 +1.5 VD_FCON		+5 VA_ADC			-5 VA_ADC	
Sy			+5 V_A +5 V_REF		+7 V_A +10 V_A		
Rm			+5 V		+10.5 VA +10.5 VB +12 V +12V FAN		-12 V

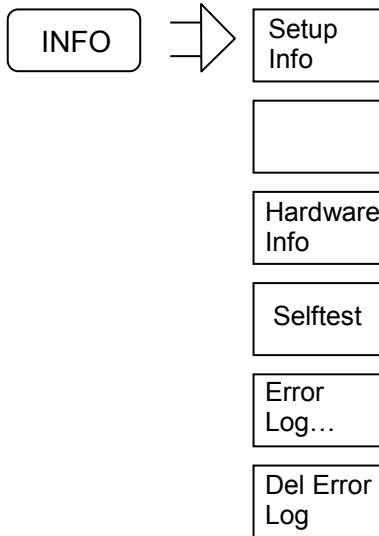
If the voltages listed in a column are all FAIL, the corresponding power supply voltage has failed or is out-of-tolerance. The power supply must then be replaced.

On the motherboard, there is a separate fuse for each board and for each of the power supply voltages used on the board. If a FAIL message is output, the first action to take is to check the fuse. The LO divider board must be removed before the fuses on the motherboard can be checked (See Chapter Board Replacement).

If an internal board voltage is out-of-tolerance, even though the power supply voltages used on the board are OK, the board must be replaced.

Checking the Temperature Sensors

Select Service Level 2 (see Service Functions).



When the *Hardware Info* softkey is pressed information about the installed hardware, the results of temperature measurements and ... are displayed.

Temperature Info

Current Temperature Readings

Component	Sensor	Temperature	Sensor	Temperature	Sensor	Temperature
Motherboard	Near NC:	33.75°C	Near SY:	34.75°C	Near PS:	38.50°C
Netcon 1	Analog:	40.25°C	Digital:	49.75°C		
Netcon 2	Analog:	-----	Digital:	-----		
Reflectometer 1	Generator:	38.50°C	Receiver:	42.50°C		
Reflectometer 2	Generator:	36.00°C	Receiver:	38.75°C		
Reflectometer 3	Generator:	38.25°C	Receiver:	40.25°C		
Reflectometer 4	Generator:	39.25°C	Receiver:	41.75°C		

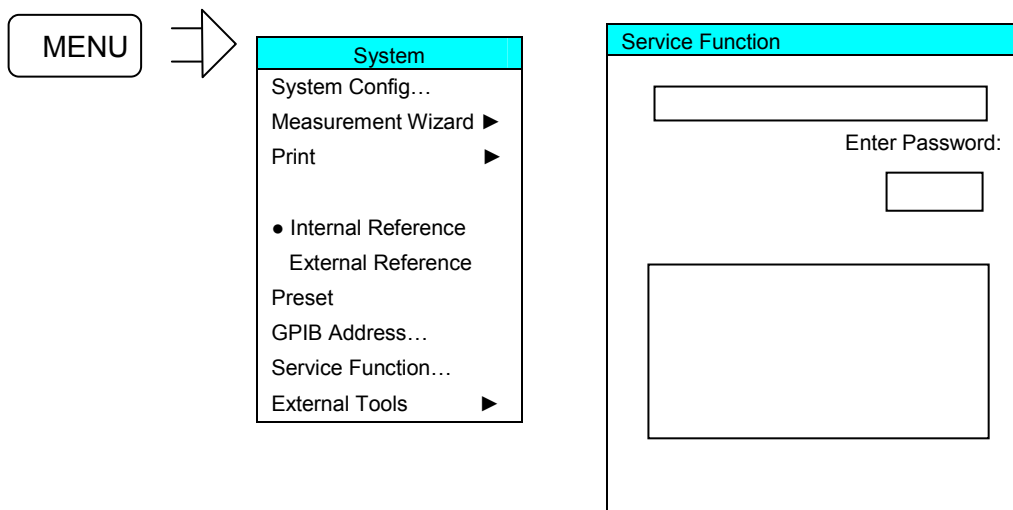
Highly elevated temperature values indicate a fan failure.

Service Functions

The service functions allow you to examine particular circuit sections on specific boards or to make well-defined settings that would normally change automatically according to the state of the instrument (e.g. the IF). There are a number of service functions which, if used incorrectly, could cause the instrument to malfunction. Usually, these functions are disabled. They are enabled only after a code number (PASSWORD) has been entered.

There are three different service levels:

Service level	Password
0	No password necessary
1	894129
2	30473035



Service Function Structure



Group	Applies to
1	API
2	HW (boards)

Boards Main ID	Boards Sub ID
0: All boards	0
1: Network controller1	0: All board 1: PCI 2: ND 3: NA
2: Network controller2	
5: Motherboard	0:
9: Frequency reference	0:
11: Synthesizer1	0: All board 1: SY1 2: SY2 3: SY3 4: SY4
12: Synthesizer2	
21: Reflectometer1	0: all board 1: GEN 2: REC
22: Reflectometer 2	
23: Reflectometer 3	
24: Reflectometer 4	

**Group 1:
General Functions**

Functions	Servicefunction	Data	Serv. Lev.
Enables/disables the peak detector and RMS detector independently of the model	1.0.0.1.X	0 → Use disabled 1 → Use enabled	2
Enable/disables the arbitrary mode settings in the port configuration (e.g. LowNoise/ LowDistortion) independently of the model	1.0.0.5.X	0 → Use disabled 1 → Use enabled	2
Activates or deactivates the setting of measured values to default values when status messages are issued due to HW faults	1.1.0.2.X	0 → Deactivate default values 1 → Activate default values	0
Activates or deactivates factory calibration for the active setup	1.1.0.3.X	0 → Deactivate factory calibration 1 → Activate factory calibration	0

**Group 2:
General Functions**

Functions	Service function	Data	Serv. Lev.
Suppress error-message box	2.0.0.0.X	X = 0 → MSG box is output (default state) X = 1 → MSG box is suppressed (error is nevertheless entered in the log file)	1
Selftest all boards	2.0.0.5.0.0		0, 1 or 2

Network controller

Functions	Service function	Data	Serv. lev.
ND1:Read Temp (addr.:68)	2.1.2.3		1
ND2:Read Temp (addr.:68)	2.2.2.3		1
ND[1..2] Selftest	2.[1-2].2.5.0.0		0, 1 or 2
NA1:Read Temp (addr.:69)	2.1.3.3		1
NA2:Read Temp (addr.:69)	2.2.3.3		1

Motherboard

Functions	Service function	Data	Serv. lev.
MB: Fan manual	2.5.0.11.1.X	X = 0 to 5	1
MB: Fan automatic	2.5.0.11.0		1
MB:Read Temp Front (NC) (addr.:205)	2.5.0.3.1		1
MB: Read Temp Rear (SY) (addr.: 204)	2.5.0.3.2		1
MB: Read Temp Back (PS) (addr.: 202)	2.5.0.3.3		1

Frequency reference

Functions	Service function	Data	Serv.lev.
FR Selftest	2.9.0.5.0.0		0, 1 or 2

Reflectometers

Functions	Service function	Data	Serv.lev.
RM[1-4]: Fan manual	2.[21-24].0.11.X	X = 1 to 5	1
RM[1-4]:Fan automatic	2.[21-24].0.11.0		1
RM[1-4]: Read Temp Gen	2.[21-24].1.3		1
RM[1-4]: Read Temp Rec	2.[21-24].2.3		1
RM[1-4]: Selftest	2.[21-24].0.5.X	X = 0 to 4	1
RM[1-4]: Read OVL	2.[21-24].0.12		1
RM[1-4]: OVL Reset	2.[21-24].0.13		1
RM[1-4] Generator Selftest	2.[21-24].1.5.0.0		0, 1 or 2
RM[1-4]: IF shift	2.[21-24].2.18.ZF	IF in Hz 0 = IF via shift table	0

Determining which Boards are defective

The table below lists boards that are probably defective based on the faults that occurred during the performance test.

Problem with:	Defective board	
	Probable	Also possible
Frequency accuracy	Frequency reference	
SSB phase-noise Only one port All ports	Synthesizer1 Frequency reference	
Level accuracy Only one port All ports	Reflectometer associated with defective port Synthesizer1	
Max. output level Only one port All ports	Reflectometer associated with defective port Synthesizer1	
Absolute accuracy wave quantity a	Reflectometer associated with defective port	
Level linearity	Reflectometer associated with defective port	
Harmonic ratio	Reflectometer associated with defective port	Synthesizer1
Spurious suppression	Synthesizer1	
Matching portx	Bridge unit of reflectometer associated with the defective port	
Directivity portx	Bridge unit of reflectometer associated with the defective port	
Receiver absolute accuracy Port 1, 2 Port 3, 4 All ports	Reflectometer associated with defective port Reflectometer associated with defective port Synthesizer1	Network controller1 Network controller2 Frequency reference
Receiver linearity for high levels Portx All ports	Reflectometer associated with defective port LO divider	LO divider Synthesizer2
Receiver linearity for low levels Port1, 2 Port3, 4	Network controller1 Network controller2	
Receiver noise level portx	Reflectometer associated with defective port	Synthesizer2 or synth.1 for 2-port models
Dynamic range portx	Reflectometer associated with defective port (see Circular 10028)	Synthesizer2 or. synth.1 for 2-port models
DC measurement input1V	Motherboard	Network controller1
DC measurement input 10V	Motherboard	Network controller1
Frequency reference input/output	Frequency reference	
Accuracy on S-parameter measurements depending on meas. bandwidth	See Circular 10029	

A board test should be performed before the board that has been deduced to be defective is replaced.

Board Test

When boards are being tested, internal sources are used whenever possible. This means that it is always assumed that the downstream board in the signal path is OK. If a clear fault is not present, the order of the board tests given below should always be followed.

The inputs and outputs of the boards to be tested can be accessed via cables in the lower section of the instrument (except the frequency reference board).

Opening the instrument

(See Chapter 5, drawing 1145.1010)

- Turn off the instrument and disconnect from the mains, screw off the 4 rear-panel feet (460) and pull off the enclosure (400) backwards.
- Remove the instrument base cover (297) after undoing the 12 countersunk screws (299).

Only when testing the frequency reference board:

- Lift off the instrument top cover (296) after undoing the 23 (2 ports) or the 28 (4 ports) countersunk screws (298).

Testing the frequency reference board

(see Test Equipment)

- Remove the board from the instrument.
- Reinsert board and extension card.
- Connect the output to be tested to the spectrum analyzer using an adapter cable and adapter SMA-N.
- Set the frequencies listed in the table.
- Check signals according to following table.

Signal	Connector	Frequency	Nom. level	Setting
NA1_AD_CLK	X103	80 MHz	10 dBm \pm 1dB	
NA2_AD_CLK	X104	80 MHz	10 dBm \pm 1dB	
SY1_REF	X105	128 MHz	10 dBm \pm 1dB	
SY2_REF	X106	128 MHz	10 dBm \pm 1dB	
REF_10_OUTIN	X107	10 MHz	6 dBm \pm 1dB	Menu/System/Internal Reference

The board must be replaced if the signal is more than 2 dB below the stated nominal level.

- Connect the frequency reference output of the spectrum analyzer to X107 (REF_10_OUTIN) using an adapter cable and adapter SMA-N.
- Connect X105 or X106 (SY1_REF or SY2_REF) to the spectrum analyzer using an adapter cable and adapter R&S SMA-N.
- The 128 MHz signal's frequency must precisely equal its nominal frequency.

If the frequency differs in any way (e.g. 128.001 MHz), replace the board.

Testing the Synthesizer Board

N.B.: Synthesizers with part numbers 1145.xxxx or 1300.xxxx are no longer available. In case of defect please contact the Central Service in Munich.

Synthesizer1

- Disconnect source cable at the reflectometer (1 to 4, depending on which synthesizer section is to be tested).
- Connect the end of the source cable to the spectrum analyzer input via an adapter cable and adapter SMA-N.

N.B.: Bend the source cable as little as possible, *if necessary secure adapter cable with adhesive tape.*

- Set the frequencies listed in the table on the R&S ZVB and check the values.
[**Sweep** : Sweep Type : CW Mode : CW Frequency : ...Hz]
[**Sweep** : Single : **Restart**]

Synthesizer 1145.xxxx or 1300.xxxx

Frequency (R&S ZVB setting)	Level	2nd harmonic	3rd harmonic	SSB noise carrier offset 100 kHz
300 kHz	0 dBm ±3 dB	< -28 dBc	< -28 dBc	-130 dBc
100 MHz	0 dBm ±3 dB	< -28 dBc	< -28 dBc	-130 dBc
1 GHz	0 dBm ±3 dB	< -28 dBc	< -28 dBc	-126 dBc
2 GHz	0 dBm ±3 dB	< -28 dBc	< -28 dBc	-120 dBc
3 GHz	0 dBm ±3 dB	< -28 dBc	< -28 dBc	-116 dBc
4 GHz	0 dBm ±3 dB	< -28 dBc	< -28 dBc	-112 dBc
6 GHz	0 dBm ±3 dB	< -28 dBc	< -28 dBc	-108 dBc
8 GHz	0 dBm ±3 dB	< -28 dBc	< -28 dBc	-105 dBc

Synthesizer-LS 1302.4290.xx

Source Mod. 02

Frequency (R&S ZVB setting)	Source Level (Mod. 02)	2nd harmonic	3rd harmonic	SSB noise carrier offset 100 kHz
300 kHz	+3 dBm to -5 dBm	< -27 dBc	< -30 dBc	-130 dBc
100 MHz	+3 dBm to -5 dBm	< -27 dBc	< -30 dBc	-130 dBc
1 GHz	+3 dBm to -5 dBm	< -27 dBc	< -30 dBc	-126 dBc
2 GHz	+3 dBm to -5 dBm	< -27 dBc	< -30 dBc	-120 dBc
3 GHz	+3 dBm to -5 dBm	< -27 dBc	< -30 dBc	-116 dBc
4 GHz	+3 dBm to -5 dBm	< -27 dBc	< -30 dBc	-112 dBc
6 GHz	+3 dBm to -7 dBm	< -27 dBc	< -30 dBc	-108 dBc
8 GHz	+3 dBm to -7 dBm	< -27 dBc	< -30 dBc	-105 dBc

Local Mod. 02, Mod. 03

Frequency (R&S ZVB setting)	Local Level (Mod. 02, Mod. 03)	2nd harmonic	3rd harmonic	SSB noise carrier offset 100 kHz
300 kHz	+3 dBm to -3 dBm	< -28 dBc	< -5 dBc	-130 dBc
100 MHz	+3 dBm to -3 dBm	< -28 dBc	< -5 dBc	-130 dBc
1 GHz	+3 dBm to -3 dBm	< -25 dBc	< -5 dBc	-126 dBc
2 GHz	+3 dBm to -3 dBm	< -25 dBc	< -5 dBc	-120 dBc
3 GHz	+3 dBm to -3 dBm	< -25 dBc	< -5 dBc	-116 dBc
3.8 GHz	-3 dBm to -10 dBm	< -25 dBc	< -14 dBc	-116 dBc
4 GHz	+3 dBm to -3 dBm	< -25 dBc	< -30 dBc	-112 dBc
5.2 GHz	+2 dBm to -4 dBm	< -25 dBc	< -30 dBc	-108 dBc
5.3 GHz	+7 dBm to +2 dBm	< -25 dBc	< -30 dBc	
7.2 GHz	+7 dBm to +2 dBm	< -25 dBc	< -30 dBc	
8 GHz	+7 dBm to 0 dBm	< -25 dBc	< -30 dBc	-105 dBc

Local Mod. 20

Frequency (R&S ZVB setting)	Local Level (Mod. 20)	2nd harmonic	3rd harmonic	SSB noise carrier offset 100 kHz
300 kHz	-3 dBm to -10 dBm	< -28 dBc	< -5 dBc	-130 dBc
100 MHz	-3 dBm to -10 dBm	< -28 dBc	< -5 dBc	-130 dBc
1 GHz	-3 dBm to -10 dBm	< -25 dBc	< -5 dBc	-126 dBc
2 GHz	-3 dBm to -10 dBm	< -25 dBc	< -5 dBc	-120 dBc
3 GHz	-3 dBm to -10 dBm	< -25 dBc	< -5 dBc	-116 dBc
3.8 GHz	-3 dBm to -10 dBm	< -25 dBc	< -14 dBc	-116 dBc
4 GHz	-3 dBm to -10 dBm	< -25 dBc	< -30 dBc	-112 dBc
5.2 GHz	-5 dBm to -10 dBm	< -25 dBc	< -30 dBc	-108 dBc
5.3 GHz	+1 dBm to -4 dBm	< -25 dBc	< -30 dBc	
7.2 GHz	+1 dBm to -4 dBm	< -25 dBc	< -30 dBc	
8 GHz	+7 dBm to 0 dBm	< -25 dBc	< -30 dBc	-105 dBc

Synthesizer-DS 1302.5180.xx

Source 1 to 4 (set port1 to 4 active)

Frequency (R&S ZVB setting)	Source Level	2nd harmonic	3rd harmonic	SSB noise carrier offset 100 kHz
300 kHz	+3 dBm to -5 dBm	< -27 dBc	< -30 dBc	-130 dBc
100 MHz	+3 dBm to -5 dBm	< -27 dBc	< -30 dBc	-130 dBc
1 GHz	+3 dBm to -5 dBm	< -27 dBc	< -30 dBc	-126 dBc
2 GHz	+3 dBm to -5 dBm	< -27 dBc	< -30 dBc	-120 dBc
3 GHz	+3 dBm to -5 dBm	< -27 dBc	< -30 dBc	-116 dBc
4 GHz	+3 dBm to -5 dBm	< -27 dBc	< -30 dBc	-112 dBc
6 GHz	+3 dBm to -7 dBm	< -27 dBc	< -30 dBc	-108 dBc
8 GHz	+3 dBm to -7 dBm	< -27 dBc	< -30 dBc	-105 dBc

Isolation of source switch1 to 4
R&S ZVB frequency 8 GHz

Port no.	Port setting	Source output	Isolation
1	Port1 inactive	X165	-90 dBc ±5 dB
	Port2 active	X166	
2	Port1 active	X165	-90 dBc ±5 dB
	Port2 inactive	X166	
3	Port3 inactive	X168	-90 dBc ±5 dB
	Port4 active	X169	
4	Port3 active	X168	-90 dBc ±5 dB
	Port4 inactive	X169	

The cable loss must also be taken into account at the stated levels. For the specified cable it is 0.25 dB/GHz (0.5 m) 0.5 dB/GHz (1 m).

The board must be replaced if the level is more than 2 dB below the specified value or the other values are more than 2 dB above their specified value.

Synthesizer2 or synthesizer1 for R&S ZVB4/8 2-ports

- Disconnect the LO cable at the LO divider (or at the reflectometer).
- Connect the end of the LO cable to the spectrum analyzer input using an adapter cable and adapter SMA-N.

N.B.: Bend the source cable as little as possible, *if necessary secure adapter cable with adhesive tape.*

- Set the frequencies listed in the table above on the R&S ZVB and check the values.

Testing the Reflectometer RM8

Generator levels

It is assumed that the synthesizer section (synthesizer1) associated with the reflectometer to be tested is OK.

- Loosen cable W514 (GEN -> Bridge unit) at both ends and screw off at the generator output GEN.
 - Note: When loosening, support the cable with a 7 mm spanner*
- Connect the generator output to the spectrum analyzer using the SMA cables () and adapter SMA-N.
- Set the power to 8 dBm
- Set the R&S ZVB to the CW sweep mode.
- Set the frequencies listed in the table.

Frequency	Level	2nd harmonic	3rd harmonic
300 kHz	16 dBm	---	---
50 MHz	16 dBm	< - 21 dBc	< - 21 dBc
1 GHz	16 dBm	< - 21 dBc	< - 21 dBc
3 GHz	16 dBm	< - 21 dBc	< - 21 dBc
6 GHz	16 dBm	< - 21 dBc	---
8 GHz	16 dBm	< - 21 dBc	---

With the stated levels, the cable loss must still be taken into account. For the specified cable it is 0.25 dB/GHz.

Receiver levels

The following is assumed:

- The LO synthesizer section (synthesizer1 mod. 04, synthesizer2) associated with the reflectometer to be tested is OK.
 - The network controller associated with the reflectometer to be tested is OK.
 - One reflectometer in the instrument is functioning.
- Loosen cable W515 (Bridge unit -> MEAS) and cable W518 (Bridge unit → REF) at both ends and screw off at the MEAS and REF receiver inputs.
 - N.B.: When loosening, support the cable with a 7 mm spanner*
- Connect the receiver input (MEAS or REF) to a functioning instrument port using an adapter cable and adapter SMA-N.
- Set the R&S ZVB to the CW sweep mode.
 - Set the frequencies and output levels for the port used for the measurement as indicated in the table and read off the level for the receiver to be tested (wave quantity ax or bx).

Frequency	Output level	Displayed level ax or bx
300 kHz	-20 dBm	0 dBm
50 MHz	-20 dBm	0 dBm
1 GHz	-20 dBm	0 dBm
3 GHz	-20 dBm	0 dBm
6 GHz	-20 dBm	0 dBm
8 GHz	-20 dBm	0 dBm

With the stated levels, the cable loss must still be taken into account. For the specified cable, it is 0.25 dB/GHz (0.5 m) or 0.5 dB/GHz (1 m).

If the measured values are more than 2 dB below the levels and ratios list in the table, the board must be replaced.

Bridge unit levels

The following is assumed:

- One reflectometer in the instrument is OK.

Method 1:

The generator section of the associated reflectometer is OK (output level at the port meets specifications).

- Loosen cable W515 (Bridge unit -> MEAS) and cable W518 (Bridge unit -> REF) at both ends and disconnect at the bridge unit.

N.B.: When loosening, support the cable with a 7 mm spanner

- Connect the bridge unit output (MEAS = connector W515 or REF = connector W518) to a functioning port using the SMA cable and adapter SMA-N to a functioning port. Terminate the bridge unit output that is not used with an SMA termination.
- Screw a SHORT from the N calibration kit to the port connector.
- Set the frequencies and levels listed in the table for the reflectometer associated with the bridge unit (port) and measure the level (wave quantity bx) at the port used for the measurement.

Frequency	Level	Output level MEAS	Output level REF
300 kHz	0 dBm	-18 dBm	-32 dBm
50 MHz	0 dBm	-18 dBm	-32 dBm
1 GHz	0 dBm	-18 dBm	-32 dBm
3 GHz	0 dBm	-18 dBm	-32 dBm
6 GHz	0 dBm	-18 dBm	-32 dBm
8 GHz	0 dBm	-18 dBm	-32 dBm

With the stated levels, the cable loss must still be taken into account. For the specified cable it is 0.25 dB/GHz.

If the measured values are more than 2 dB below the levels in the table, the board must be replaced.

Method 2:

The receive section of the associated reflectometer is OK.

- Loosen cable W514 (GEN -> Bridge unit) at both ends and screw off at the bridge unit.
N.B.: When loosening, support the cable with a 7 mm spanner
- Connect the bridge input (connector. W514) to a functioning port using the R&S SMA cable and R&S SMA-N adapter.
- Screw a SHORT from the N calibration kit to the port connector.
- Set the frequencies and levels listed in the table at the port used for the measurement and measure the level (wave quantity ax or bx) at the reflectometer associated with the bridge unit (port).

Frequency	Level	Output level MEAS	Output level REF
300 kHz	8 dBm	-18 dBm	-32 dBm
50 MHz	8 dBm	-18 dBm	-32 dBm
1 GHz	8 dBm	-18 dBm	-32 dBm
3 GHz	8 dBm	-18 dBm	-32 dBm
6 GHz	8 dBm	-18 dBm	-32 dBm
8 GHz	8 dBm	-18 dBm	-32 dBm

With the stated levels, the cable loss must still be taken into account. For the specified cable it is 0.25 dB/GHz.

If the measured values are more than 2 dB below the levels given in the table, the board must be replaced.

Bridge Directivity

The following is assumed:

- The generator and receiver sections of the reflectometer associated with the bridge unit are OK.
- Screw the SHORT from an N calibration kit to the port connector.
- Perform a sweep from 300 kHz to 8 GHz, measure S11, save measured values (Data -> Mem : Math = Data/Mem).
- Screw the MATCH from the N calibration kit to the port connector.
- The trace gives the directivity.

Frequency range	Directivity
300 kHz to 50 MHz	< -10 dB
50 MHz to 8 GHz	< -16 dB

If the measured values are greater than the values stated in the table, the bridge unit must be replaced.

Bridge unit: Port Matching

It is assumed that there is a functioning reflectometer in the instrument.

- Loosen cables W514 (GEN -> Bridge unit), W515 (Bridge unit -> MEAS) and W518 (Bridge unit -> REF) at both ends and unscrew at the bridge unit.

N.B.: When loosening, support the cable with a 7mm spanner

- Terminate the bridge unit input and bridge unit outputs with 3 SMA terminations.
- Connect N test cable to a functioning instrument port and perform a 1-port calibration at the end of the cable.
- Connect the end of the test cable to the port of the bridge unit under test and display the Sxx magnitude on the screen.

Frequency range	Sxx dB
300 kHz to 2 GHz	-12 dB
2 GHz to 8 GHz	-18 dB

If the values in the table are exceeded, the board must be replaced.

Testing the Reflectometer RM20

Generator levels

It is assumed that the synthesizer section (synthesizer1) associated with the reflectometer to be tested is OK.

- Loosen cable W514 (GEN -> coupler unit) at both ends and screw off at the generator output GEN.
- Connect the generator output to the spectrum analyzer using the R&S SMA cable ().
- Set the R&S ZVB to the CW sweep mode.
- Set the frequencies listed in the table.
- Set the power listed in the table.

Frequency	Set power to	Level on GEN output	2nd harmonic	3rd harmonic
10 MHz	10 dBm	13.0 dBm	---	---
100 MHz	10 dBm	13.0 dBm	< - 21 dBc	< - 21 dBc
1 GHz	10 dBm	13.2 dBm	< - 21 dBc	< - 21 dBc
4 GHz	10 dBm	13.7 dBm	< - 21 dBc	< - 21 dBc
8 GHz	10 dBm	14.3 dBm	< - 21 dBc	< - 21 dBc
9 GHz	10 dBm	14.5 dBm	< - 21 dBc	---
12 GHz	10 dBm	15.0 dBm	---	---
15 GHz	5 dBm	7.5 dBm	---	---
18 GHz	5 dBm	8.0 dBm	---	---
20 GHz	5 dBm	8.3 dBm	---	---

With the stated levels, the cable loss must still be taken into account. For the specified cable it is 0.25 dB/GHz.

Receiver levels

The following is assumed:

- The LO synthesizer section (synthesizer1 mod. 20, synthesizer2) associated with the reflectometer to be tested is OK.
 - The network controller associated with the reflectometer to be tested is OK.
 - One reflectometer in the instrument is functioning.
- Loosen cable W515 (coupler unit -> MEAS) and cable W518 (coupler unit -> REF) at both ends and screw off at the MEAS and REF receiver inputs.
 - Connect the receiver input (MEAS or REF) to a functioning instrument port using an adapter cable.
 - Set the R&S ZVB to the CW sweep mode.
 - Set the frequencies and output levels for the port used for the measurement as indicated in the table and read off the level for the receiver to be tested (wave quantity ax or bx).

Frequency	Output level	Displayed level ax or bx
10 MHz	-30 dBm	+20 dBm \pm 3 dB
100 MHz	-30 dBm	+5 dBm \pm 3 dB
1 GHz	-20 dBm	-5 dBm \pm 3 dB
2.5 GHz	-20 dBm	-10 dBm \pm 3 dB
3 GHz	-20 dBm	-10 dBm \pm 3 dB
8 GHz	-20 dBm	-10 dBm \pm 3 dB
9 GHz	-20 dBm	-10 dBm \pm 3 dB
12 GHz	-20 dBm	-10 dBm \pm 3 dB
15 GHz	-20 dBm	-8 dBm \pm 4 dB
18 GHz	-20 dBm	-8 dBm \pm 4 dB
20 GHz	-20 dBm	-8 dBm \pm 4 dB

With the stated levels, the cable loss must still be taken into account. For the specified cable, it is 0.25 dB/GHz (0.5 m) or 0.5 dB/GHz (1 m).

If the measured values are more than 2 dB below the levels list in the table, the board must be replaced.

Coupler unit levels

The following is assumed:

- One reflectometer in the instrument is OK.

Method 1:

The generator section of the associated reflectometer is OK (output level at the port meets specifications).

- Loosen cable W515 (coupler unit -> MEAS) and cable W518 (coupler unit -> REF) at both ends and disconnect at the bridge unit.
- Connect the coupler unit output (MEAS = connector W515 or REF = connector W518) to a functioning port using the SMA cable and adapter SMA-N to a functioning port. Terminate the coupler unit output that is not used with an SMA termination.
- Screw a SHORT from the calibration kit to the port connector.
- Set the frequencies and levels listed in the table for the reflectometer associated with the coupler unit (port) and measure the level (wave quantity bx) at the port used for the measurement.

Frequency	Level	Output level MEAS	Output level REF
10 MHz	0 dBm	-50 dBm \pm 3 dB	-47 dBm \pm 3 dB
100 MHz	0 dBm	-35 dBm \pm 3 dB	-32 dBm \pm 3 dB
1 GHz	0 dBm	-15 dBm \pm 3 dB	-11 dBm \pm 3 dB
2 GHz	0 dBm	-10 dBm \pm 3 dB	-4.7 dBm \pm 3 dB
8 GHz	0 dBm	-10 dBm \pm 3 dB	-3.7 dBm \pm 3 dB
12 GHz	0 dBm	-10 dBm \pm 3 dB	-3 dBm \pm 3 dB
16 GHz	0 dBm	-12 dBm \pm 4 dB	-2.3 dBm \pm 4 dB
20 GHz	0 dBm	-12 dBm \pm 4 dB	-1.7 dBm \pm 4 dB

With the stated levels, the cable loss must still be taken into account. For the specified cable it is 0.25 dB/GHz.

If the measured values are more than 2 dB below the levels in the table, the coupler unit must be replaced.

Method 2:

The receiver section of the associated reflectometer is OK.

- Loosen cable W514 (GEN -> coupler unit) at both ends and screw off at the coupler unit.
- Connect the coupler input (connector. W514) to a functioning port using the SMA cable.
- Screw a SHORT from the calibration kit to the port connector.
- Set the frequencies and levels listed in the table at the port used for the measurement and measure the level (wave quantity ax or bx) at the reflectometer associated with the coupler unit (port).

Frequency	Level	Output level MEAS	Output level REF
10 MHz	0 dBm	-53 dBm \pm 3 dB	-50 dBm \pm 3 dB
100 MHz	0 dBm	-38 dBm \pm 3 dB	-35 dBm \pm 3 dB
1 GHz	0 dBm	-18.2 dBm \pm 3 dB	-15 dBm \pm 3 dB
2 GHz	0 dBm	-13.3 dBm \pm 3 dB	-8 dBm \pm 3 dB
8 GHz	0 dBm	-14.3 dBm \pm 3 dB	-8 dBm \pm 3 dB
12 GHz	0 dBm	-15 dBm \pm 3 dB	-3 dBm \pm 3 dB
16 GHz	0 dBm	-17.7 dBm \pm 4 dB	-8 dBm \pm 4 dB
20 GHz	0 dBm	-18.3 dBm \pm 4 dB	-8 dBm \pm 4 dB

With the stated levels, the cable loss must still be taken into account. For the specified cable it is 0.25 dB/GHz.

If the measured values are more than 2 dB below the levels given in the table, the coupler unit must be replaced.

Coupler Directivity

The following is assumed:

- The generator and receiver sections of the reflectometer associated with the coupler unit are OK.
- Screw the SHORT from the calibration kit to the port connector.
- Perform a sweep from 10 MHz to 20 GHz, measure S11, save measured values (Data -> Mem : Math = Data/Mem).
- Screw the MATCH from the calibration kit to the port connector.
- The trace gives the directivity.

Frequency range	Directivity
10 MHz to 12 GHz	< -15 dB
12 GHz to 20 GHz	< -10 dB

If the measured values are greater than the values stated in the table, the coupler unit must be replaced.

Coupler unit: Port Matching

It is assumed that there is a functioning reflectometer in the instrument.

- Loosen cables W514 (GEN -> coupler unit), W515 (coupler unit -> MEAS) and W518 (coupler unit -> REF) at both ends and unscrew at the coupler unit.
- Terminate the coupler unit input and coupler unit outputs with 3 SMA terminations.
- Connect test cable to a functioning instrument port and perform a 1-port calibration at the end of the cable.
- Connect the end of the test cable to the port of the coupler unit under test and display the Sxx magnitude on the screen.

Frequency range	Sxx dB
10 MHz to 12 GHz	< -14 dB
12 GHz to 20 GHz	< -10 dB

If the values in the table are exceeded, the coupler must be replaced.

Testing the LO Divider Board

It is assumed that the LO-synthesizer section (synthesizer2 for 3-port and 4-port-models, synthesizer 1 for 2-port-models) is OK.

- Disconnect cable W656, WW659, W666 or W669, depending on which LO-branch is being tested.
- Connect the output under test (X6, X7, X8 or X9) to the spectrum analyzer using the adapter cable.
- Enter service- function 2.21.2.18.17512345 (IF = 17.512345 MHz).
- Set the R&S ZVB to the CW sweep mode.
- Set the frequencies listed in the table.

Frequency R&S ZVB	Frequency spec. = Frq R&S ZVB + IF	Level
300 kHz (R&S ZVB4/8 only)	17.812345 MHz	5 dBm to 14 dBm
10 MHz	27.512345 MHz	5 dBm to 14 dBm
50 MHz	67.512345 MHz	5 dBm to 14 dBm
1 GHz	1.017512345 GHz	5 dBm to 14 dBm
3 GHz	3.017512345 GHz	5 dBm to 14 dBm
6 GHz	6.017512345 GHz	5 dBm to 19 dBm
8 GHz	8.017512345 GHz	5 dBm to 19 dBm

With the stated levels, the cable loss must still be taken into account. For the specified cable, it is 0.25 dB/GHz (0.5 m) or 0.5 dB/GHz (1 m).

If the measured values are below the levels in the table, the board must be replaced.

Testing the Network Controller Board

Testing the IF inputs

It is assumed that there is one functioning reflectometer in the instrument.

- Disconnect the IF-MEAS and IF-REF cable from each of the reflectometers.
- Connect the input to be tested at the end of the appropriate IF cable (W136, W137, W138, W139, and W146, W147, W148, W149) to a functioning port using the adapter cable and SMA-N adapter .
- Set the R&S ZVB to CW sweep mode, CENTER 17.512345 MHz.
- Setting at the port used for the measurement: POWER -10 dBm
- Setting at the port associated with the network controller under test: WAVE QUANTITY ax or bx.
- Enter service function 2.21.2.18.17512345 (IF = 17.512345 MHz).
- Disable level corrections with SF 2.21[.24].2.15.1

If the level displayed on the R&S ZVB's screen is not within the range $-4 \text{ dBm} \pm 2 \text{ dB}$, the board must be replaced.

Testing the Motherboard

28 V supply

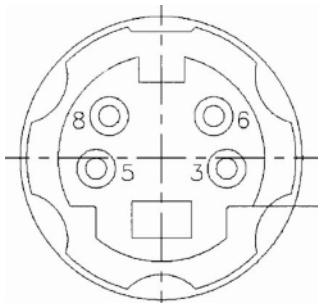
Using a multimeter, measure the voltage at X 100.B5 (wrt ground).
Permissible deviation: ± 0.5 V

Preamplifier for DC measurement inputs

Apply the DC voltages listed in the table using the 4-pin Mini-DIN connector at the DC measurement input.

Measure the DC voltage with a multimeter.

Input	Voltage at	Gnd	APPLIED VOLTAGE	Measurement at	Rated value
DC MEAS -1 V to +1 V	8	3, 5, 6	- 1 V	X 141.B10	2.33 V
DC MEAS -1 V to +1 V	6	3, 5, 8	+ 1 V	X 141.B11	2.33 V
DC MEAS -10 V to +10 V	8	3, 5, 6	- 10 V	X 141.D10	2.33 V
DC MEAS -10 V to +10 V	6	3, 5, 8	+ 10 V	X 141.D11	2.33 V



Pin assignment DC MEAS connector

If the measured value is more than 10% above or more than 10% below the stated nominal value, the motherboard must be replaced.

Table of Contents- Chapter 4 "Software Update / Installation of Options"

4 Software Update / Installation of Options 4.1

 Installing new R&S ZVB Software.....4.1

 Installing Options4.2

4 Software Update / Installation of Options

Chapter 4 provides information on updating software, restoring the operating system installation and installing options. Descriptions accompanying the software update or the options can be included in this folder as part of Chapter 4.

Installing new R&S ZVB Software

The instrument firmware can be downloaded from the R&S website (www.rohde-schwarz.com). This is a Microsoft Installation file (.MSI). The file name is ZVAB_XX_YY.MSI for a released version and ZVAB_XX_YY_BETAZZ.MSI for a test version. This file must be made available to the instrument via a suitable medium (Memory Stick, USB CD-ROM drive network or Remote Desktop). The instrument firmware is installed when you double click on the file. The instrument is ready for operation after you switch off and then switch back on again.

Installing Options

The following options can be fitted to the R&S ZVB:

Oven Controlled Crystal Oscillator (OCXO)	R&S ZVAB-B4	1164.1757.02
Time Domain	R&S ZVAB-K2	1164.1657.02
Mixer and Harmonic Measurement	R&S ZVAB-K3	1164.1592.02
Direct Generator/Receiver Access		
for R&S ZVB14 1145.1010.17 only (2-port)	R&S ZVB14-B16	1164.1240.17
for R&S ZVB14 1145.1010.19 only (4-port)	R&S ZVB14-B16	1164.1240.19
for R&S ZVB20 1145.1010.23 only (2-port)	R&S ZVB20-B16	1164.1240.23
for R&S ZVB20 1145.1010.25 only (4-port)	R&S ZVB20-B16	1164.1240.25
Generator Step Attenuator for R&S ZVB4 and R&S ZVB8 only		
for Port 1	R&S ZVB8-B21	1302.5480.02
for Port 2	R&S ZVB8-B22	1302.5073.02
for Port 3	R&S ZVB8-B23	1302.5496.02

Install according to the instructions that are supplied with the option.
These installation instructions can be appended to this chapter.

The OCXO option is permanently integrated on the frequency reference board (mod. 03, mod. 05) and, as a rule, it is specified when the instrument is ordered. When it is retrofitted, the frequency reference board must be replaced (replace mod. 02 or mod. 04 with mod. 05).

Installing hardware options:

CAUTION



Before installing the options, disconnect the mains cable.

Observe the safety instructions at the beginning of this manual.

The boards in the instrument are electrostatically sensitive devices (ESD). The appropriate handling instructions for these devices must be observed (ESD workstation).

- Turn off the instrument and disconnect the mains cable.
- Unscrew the 4 back-panel feet (460) and pull off the enclosure (400) towards the rear.
- Follow the **replacement instructions in Chapter 3**
- When installation has been completed, push the enclosure back into position and refit the the back-panel feet.



CAUTION

When replacing the enclosure, ensure that no cables are damaged or pulled out:

- Connect the mains cable and turn on the instrument.

Contents - Chapter 5 "Documents"

- 5 Documents..... 5.1**
 - Spare Parts.....5.1**
 - Available Power Cables.....5.1
 - Spare Parts List5.2**
 - Mechanical Drawings.....5.2**
 - Block Circuit Diagram5.15**

5 Documents

This chapter contains the spare parts list and the documents for the complete R&S ZVA unit. For general information about spare parts for our products please refer to the sheet "Procedure in Case of Service and Ordering of Spare Parts" at the beginning of this manual.

Spare Parts

The stock numbers necessary for ordering replacement parts and modules can be found in the component lists further down.

DANGER



Danger of shock hazard

For module replacement, ensure that the instrument is switched off and disconnected from the power supply by removing the plug from the AC and DC power connector.

Read all safety instructions at the beginning of this manual carefully before module replacement!

Available Power Cables

Table 5-1 List of power cables available

Stock No.	Earthed-contact connector	Preferably used in
DS 0006.7013.00	BS1363: 1967' 10 A 250 V complying with IEC 83: 1975 standard B2	Great Britain
DS 0006.7020.00	Type 12 , 10 A 250 V complying with SEV-regulation 1011.1059, standard sheet S 24 507	Switzerland
DS 0006.7036.00	Type 498/13 10 A 250 V complying with US-regulation UL 498, or with IEC 83	USA/Canada
DS 0041.4752.00	GB2099 , GB1002 10 A 250 V approvals CCC	China
DS 0041.6232.00	JIS C 8303 7A 125V AC approvals PSE (JET)	Japan
DS 0006.7107.00	Type SAA3 10 A, 250 V, complying with AS C112-1964 Ap.	Australia
DS 0025.2365.00	DIN 49 441, 10 A, 250 V, straight approvals VDE,ÖVE,CEBEC,KEMA,S,D,N,FI,LCIE,IMQ,UCIEE	Europe (except Switzerland)
DS 0086.4400.00	DIN 49 441, 10 A, 250 V, angular approvals VDE,ÖVE,CEBEC,KEMA,S,D,N,FI,LCIE,IMQ,UCIEE	



Spare Parts List

Mechanical Drawings

List of R&S ZVB parts including spare parts

The R&S ZVB is constructed in accordance with R&S Design 2000.

Rackmount: 5E 1/1 T350 MOD. 04/05/06/08/09/10/20/21

Overall dimensions: B x H x T: 465.1 x 241.8 x 417.0

Accessories: 19" Adapter ZZA-511, Stock No. 1096.3290.00

Rackmount: 6E 1/1 T350 MOD. 22

Overall dimensions: B x H x T: 465.1 x 286.2 x 417.0

Accessories: 19" Adapter ZZA-611, Stock No. 1096.3302.00

Note: The recommended spare parts are marked with an x in the last column.

Table 5-2 List of all R&S ZVB parts and spare parts

Position.	Designation	Stock No.	Number	Electrical Designation	Recommended spare parts
DRAWING 1145.1010.01 (ZVB BASE UNIT) & 1145.1332.00 (METAL FRAME)					
10	ZM FUNDAMENTAL UNIT ZVB Mod. 04 05 08 09	1145.1290.08	1		
11	ZM FUNDAMENTAL UNIT ZVB Mod. 06 10	1145.1290.09	1		
12	ZM FUNDAMENTAL UNIT ZVB Mod. 14 20 21	1145.1290.20	1		
13	ZM FUNDAMENTAL UNIT ZVB Mod. 22	1145.1290.22	1		
14	ZM FUNDAMENTAL UNIT ZVB Mod. 17 19 23 25	1145.1290.23	1		
15	ZM FAN ZVB	1145.2200.00	3	E1 E2 E3	x
16	VS 7985/ISR-M4X8-A4-PA	1148.2652.00	12		
17	VS 7985/ISR-M4X6-A4-PA	1148.2646.00	5		
18	VS DIN433-4.3-A4	0082.4586.00	17		
19	VS 965/ISR-M2.5X6-A4-PA	1148.3288.00	4		
100	ZE NETWORK CONTROLLER	1145.3635.02	1	A140	x
105	ZE NETWORK CONTROLLER	1145.3635.02	1	A130	x
110	EE SYNTHESIZER-LS	1302.4025.02	1	A160	x
111	EE SYNTHESIZER-DS	1302.5180.02	1	A160	x
112	EE SYNTHESIZER-LS	1302.4025.20	1	A150	x

Position.	Designation	Stock No.	Number	Electrical Designation	Recommended spare parts
115	EE SYNTHESIZER-LO	1302.4248.02	1	A150	x
116	EE SYNTHESIZER-LO	1302.4248.20	1	A150	x
120	EE FREQ. REFERENCE	1145.3835.04	1	A100	x
121	EE PCI BALANCE	1300.1687.02	1	A100	x
124	ED LO DIVIDER	1300.2002.20	1	A600	x
125	ED LO DIVIDER	1300.2002.02	1	A600	x
126	MZ PLATE LO-DIV ZVB	1300.2025.00	1		
127	VS 6900/ISR-M2.5X6-A2	1148.3059.00	6		
128	VS HVC/ISR-M2.5X16-A2	0048.8218.00	2		
130	MZ LOCKING PLATE	1302.4483.00	2		
136	MZ MOTHERB. RAIL 1 ZVB20	1145.4631.00	1		
137	MZ MOTHERB. RAIL 2 ZVB20	1145.4684.00	1		
138	MZ MOTHERB. RAIL 4 ZVB20 4PORT	1145.4690.00	1		
140	MZ MOTHERB. RAIL 1 ZVB	1145.1926.00	1		
141	MZ MOTHERB. RAIL ZVB	1145.1932.00	1		
142	MZ MOTHERB. RAIL 4 ZVB	1145.2274.00	1		
143	VS 6900/ISR-M2.5X8-A2	0041.1653.00	2		
144	VS 965/ISR-M2.5X6-A4-PA	1148.3288.00	6		
145	MZ MB RAIL CONTACT ZVB8	1300.0851.00	1		
146	MZ MB RAIL CONTACT ZVB8/20	1300.0874.00	1		
147	VS 6900/ISR-M2.5X8-A2	0041.1653.00	1		
148	VS 965/ISR-M2.5X6-A4-PA	1148.3288.00	4		
149	VS 965/ISR-M2.5X6-A4-PA	1148.3288.00	3		
150	VS 965/ISR-M2.5X6-A4-PA	1148.3288.00	2		
151	VS 6900/ISR-M2.5X6-A2	1148.3059.00	4		
155	ZM RM UNIT ZVB 4/8 GHz Mod. 05	1302.3664.04	0	A510 A520 A540	x
156	VS 6900/ISR-M2.5X6-A2	1148.3059.00	6		
158	ZM CABLE SET ZVB	1145.2545.19	1		
161	VS 6900/ISR-M2.5X6-A2	1148.3059.00	8		

Position.	Designation	Stock No.	Number	Electrical Designation	Recommended spare parts
164	ZM CABLE SET ZVB	1145.2545.11	1		
165	ZM RM UNIT ZVB 4/8 GHz	1302.4960.08	2	A510 A520	x
166	ZM CABLE SET ZVB	1302.5044.08	1		
170	ZM RM UNIT ZVB 4/8 GHz Mod. 05 09	1302.4960.08	3	A510 A520 A540	x
175	ZM RM UNIT ZVB 4/8 GHz Mod. 06 10	1302.4960.08	4	A510 A520 A530 A540	x
176	VS 965/ISR-M2.5X8-A4-PA	1148.3294.00	4		
177	VS 965/ISR-M2.5X8-A4-PA	1148.3294.00	6		
178	VS 965/ISR-M2.5X8-A4-PA	1148.3294.00	8		
180	ZM RM UNIT ZVB 20 GHz	1145.4290.20	2		x
181	VS 965/ISR-M3X16-A4-PA	1300.0868.00	8		
182	VS 965/ISR-M2.5X6-A4-PA	1148.3288.00	4		
183	ZM CABLE SET ZVB	1302.5044.20	1		
185	ZM RM UNIT ZVB 20 GHz	1145.4290.20	3		x
186	VS 965/ISR-M3X16-A4-PA	1300.0868.00	12		
188	ZM CABLE SET ZVB	1145.2545.23	1		
189	OS LABEL FOR REARPANEL	1145.4725.00	1		
190	ZM 2RM UNIT ZVB 20 GHz	1302.4425.02	2		x
192	MZ HOLDING PLATE	1302.4648.00	2		
194	VS 965/ISR-M2.5X6-A4-PA	1148.3288.00	4		
200	ZM CABLE SET ZVB 4PORT	1302.5044.22	1		
210	VS 965/ISR-M2.5X6-A4-PA	1148.3288.00	8		
215	VS 965/ISR-M2.5X6-A4-PA	1148.3288.00	12		
220	VS 965/ISR-M3X16-A4-PA	1300.0868.00	16		
222	VS 965/ISR-M2.5X6-A4-PA	1148.3288.00	8		
230	MZ COVER PLATE ZVB20	1302.4690.00	1		
232	VS 6900/ISR-M2.5X6-A2	1148.3059.00	10		
240	RM UNIT ZVB14/20 2PORT	1305.4790.23	2	A510, A520	
242	CABLE LOOM ZVB14/20 2PORT	1302.5044.23	1		

Position.	Designation	Stock No.	Number	Electrical Designation	Recommended spare parts
244	REFLECTOMETER RAIL ZVB20 4PORT	1305.4710.00	1		
246	REFLECTOMETER RAIL2 ZVB20 4PORT	1305.4703.00	1		
248	VS 965/ISR-M2.5X6-A4-PA	1148.3288.00	8		
250	RM UNIT ZVB14/20 4PORT	1305.4790.25	2	A530, A540	
252	CABLE LOOM ZVB14/20 4PORT	1302.5044.25	1		
260	MZ REAR PLATE	1145.1903.00	1		
265	VS 6900/ISR-M2.5X6-A2	1148.3059.00	5		
270	2XRJ45 COUPLER JACK STRAIGHT	1093.9122.00	2	X241 X242	x
272	SILICON CORD 4x8 MM	1130.0164.00	2		
275	DG PATCHCABLE	0041.9283.00	2	W241 W242	
280	DY IEC/IEEE BUS CABLE W21	1129.7252.00	1	W21	
282	VS DIN125-A3.2-A4	0082.4670.00	2		
284	VS DIN137-A3-A2	0005.0296.00	2		
286	VS DIN934-M3-A4	0016.4398.00	2		
290	MP COVER 25-PIN SUB-D	1093.9000.00	1		
291	MP COVER FOR IEC/IEEE BUS	0852.0450.00	1		
294	MP CAP RD11.1/9.9	0009.9217.00	1		
295	ADHESIVE FOIL 33x68	0009.9217.00	1		
296	MZ COVER ZVB	1145.1849.00	1		
297	MZ COVER BOTTOM ZVB	1145.1961.00	1		
298	VS 965/ISR-M2.5X6-A4-PA	1148.3288.00	33		
299	VS 965/ISR-M2.5X6-A4-PA	1148.3288.00	12		
300	KB FRONT COVER ZVB4 2-PORT	1145.1403.00	1		
303	KB FRONT COVER ZVB 4	1145.1426.00	1		
306	KB FRONT COVER ZVB4 4-PORT	1145.1410.00	1		
310	KB FRONT COVER ZVB8 2-PORT	1145.1455.00	1		
313	KB FRONT COVER ZVB 8	1145.1432.00	1		
316	KB FRONT COVER ZVB8 4-PORT	1145.1461.00	1		
317	KB FRONT COVER ZVB14 2-PORT	1305.4903.00	1		

Position.	Designation	Stock No.	Number	Electrical Designation	Recommended spare parts
318	KB FRONT COVER ZVB14 4-PORT	1305.5180.00	1		
320	KB FRONT COVER ZVB20 2-PORT	1145.1490.00	1		
323	KB FRONT COVER ZVB20 3-PORT	1145.1449.00	1		
324	KB FRONT COVER ZVB20 4-PORT	1302.4525.00	1		
327	KB FRONT COVER ZVB14 4-PORT	1305.4890.00	1		
328	KB FRONT COVER ZVB20 2-PORT	1305.4832.00	1		
330	KB FRONT COVER ZVB20 4-PORT	1305.4655.00	1		
390	KB COUNTERSUNK SCREW M1.6X3 LIGHT-GREY	0396.1070.00	1		
400	KR BW2 CASING 5E1/1T350N-ZVB	1145.1826.00	1		
401	KR BW2 CASING 6E1/1T350N-ZVB	1302.4683.00	1		
405	KR HOLDING HOOK	1096.4796.00	1		
406	KR HOLDING HOOK	1096.4796.00	3		
410	KR BW2 FRONT HANDLE 5E	1096.1497.00	2		
411	KR BW2 FRONT HANDLE 6E	1096.1500.00	2		
420	VS SCREW M4X14-ISR	1096.4896.00	4		
425	VS SCREW M4X14-ISR	1096.4896.00	2		
430	KR BW2 INSTRUMENT FOOT	1096.2506.00	4		x
440	KR BW2 MOUNTING FOOT	1096.2529.00	2		x
450	KR BW2 SIDE CARRYING HANDLE T350	1096.2664.00	1		x
452	KR BW2 SIDE COVER	1096.2558.00	2		x
460	KR BW2 REAR PANEL FOOT 50MM	1096.2493.00	4		x
470	OS BW2 LABEL REAR PANEL FOOT	1096.2435.00	1		x
471	FJ CAP FOR N CONECTOR	1096.2435.00	2		
472	FJ CAP FOR N CONECTOR	1096.2435.00	3		
473	FJ CAP FOR N CONECTOR	1096.2435.00	4		
490	FJ CAP FOR N CONECTOR	0114.1770.00	2		
492	FJ CAP FOR N CONECTOR	0114.1770.00	4		
500	ZB ACCESS. ZVB	1145.1049.00	1		

Position.	Designation	Stock No.	Number	Electrical Designation	Recommended spare parts
DRAWING 1145.1290.01 (BASE UNIT)					
500	ZM METAL FRAME ZVB	1145.1332.00	1		
505	ZM METAL FRAME ZVB 20	1302.4602.00	1		
510	ED MOTHERBOARD Mod. 08 09 20	1145.3435.02	1	A10	
511	ED MOTHERBOARD	1145.3435.03	1	A10	x
519	LABEL CE	1145.3987.00	0		
520	VS 6900/ISR-M2.5X6-A2	1148.3059.00	14		
530	FM LOCKING SCREW M3	0009.6501.00	2		
540	FM LOCKING SCREW H=4.5	1093.9180.00	2		
550	VS 965/ISR-M2.5X6-A4-PA	1148.3288.00	4		
552	SERRATED LOCKWASHER	3583.1578.00	6		
553	HEX 14 NUT ½-28 UNEF	3583.1561.00	6		
555	MZ CASCADE PLATE	1145.4690.00	1		
580	GR FRONT MOD. CONTROLLER 6/5	1091.2908.00	1	A90	x
581	BIOS ZVAB FOR FMR7	1300.1529.00	1		
582	LITHIUM BATTERY CR2032	0858.2049.00	1		x
585	BIOS ZVAB	1145.1190.00	0		
590	VS 6900/ISR-M2.5X6-A2	1148.3059.00	10		
595	DF CABLE 4X2 AND SCHIELDING 630	1145.5115.00	1	W12	
596	DZ FEED-THROUGH RD8XRD14X8	0062.1146.00	1		
597	DZ CABLE TIE RD 1 TO 25 B2	0015.9038.00	7		
600	ZM DISPLAY UNIT ZVB	1145.1384.08	1	A1	
601	ZM DISPLAY UNIT ZVB	1145.1384.09	1	A1	
602	ZM DISPLAY UNIT ZVB	1145.1384.20	1	A1	
603	ZM DISPLAY UNIT ZVI	1145.1384.80	1	A1	
604	ZM DISPLAY UNIT ZVB	1145.1384.22	1	A1	
605	ZM DISPLAY UNIT ZVB Mod. 23	1145.1384.23	1	A1	
610	VS 965/ISR-M2.5X6-A4-PA	1148.3288.00	4		

Position.	Designation	Stock No.	Number	Electrical Designation	Recommended spare parts
670	GP 3.5 FLOPPY DRIVE SLIM	0048.6638.00	1	A30	x
680	MZ FLOPPY MOUNT	1093.4620.00	1		
690	DF FLEX-STRIP CONNECTOR 26P.R=1	1091.2066.00	1	W300	
700	VS 6900/ISR-M2.5X6-A2	1148.3059.00	2		
702	VS 7985/ISR-M2.5X4-A4-PA	1148.2717.00	3		
704	VS DIN127-B2.5-A4	0082.4786.00	3		
710	ZE HD WITH FIRMWARE ZVAB	1145.1178.02	1	A60	x
715	SATA DATA CABLE 265	1091.3440.00	1	W11	x
716	SATA POWER CABLE 285	1091.3427.00	1	W13	x
720	MZ DISK MOUNT	1093.4837.00	1		
725	VS 965/ISR-M2.5X6-A4-PA	1148.3288.00	2		
730	VS 965/ISR-M3X5-A4-PA	1148.2775.00	4		
735	ED AC FUSE BOARD	1145.3906.02	1	A21	x
736	MZ PROTECTION COVER	1300.0845.00	1		
737	VS 7985/ISR-M3X10-A4-PA	1148.2623.00	1		
738	OS LABEL 25MM HIGH-VOLTAGE FLASH	0042.5169.00	1		
740	DY CABLE FOR ZVBA POWER SUPPLY	1145.5544.00	1	W22	x
745	DX POWER SUPPLY CABLE 6P	1145.5515.00	1	W23	
750	DX POWER SUPPLY CABLE 8P	1145.5521.00	1	W24	
755	DX POWER SUPPLY CABLE 10P	1145.5538.00	1	W25	
756	VS DIN137-A3-A2	0005.0296.00	8		
757	VS DIN137-A4-A2	0005.0315.00	4		
760	FN POWERFILTER WITH SWITCH	1145.5067.00	1	X200	x
765	VS 965/ISR-M3X8-A4-PA	1148.2798.00	2		
770	ZE POWER UNIT ZVAB	1145.3893.00	1	Z20	
771	DZ GROMMET 7X12X16	0099.3520.00	1		
772	VS 965/ISR-M3X8-A4-PA	1148.2798.00	2		
775	DX PE CABLE	1090.3881.00	1	W201	
778	OS LABEL RD11 EARTH SYMBOL	0042.5330.00	2		

Position.	Designation	Stock No.	Number	Electrical Designation	Recommended spare parts
780	VS 965/ISR-M4X10-A4-PA	1148.2823.00	2		
782	VS DIN6797-A4.3-A2	0016.2837.00	2		
784	FV FLAT CONNECTOR GR 6.3	0432.4311.00	1		
785	FV FLAT CONNECTOR GR.6.3	0438.0453.00	1		
786	VS DIN137-A4-A2	0005.0315.00	2		
787	VS DIN934-M4-A4	0016.4400.00	2		
788	OS LABEL 25MM HIGH-VOLTAGE FLASH	0042.5169.00	1		
789	MZ PROTECTION COVER	1145.3235.00	1		
790	GJ SWITCHING POWER SUPPLY	1145.5238.00	1	A20	
791	MZ POWER SUPPLY PLATE	1145.2468.00	1		
792	VS DIN433-4.3-A4	0082.4586.00	4		
793	VS 7985/ISR-M4X6-A4-PA	1148.2646.00	4		
795	VS 6900/ISR-M2.5X6-A2	1148.3059.00	8		
796	VS 965/ISR-M2.5X6-A4-PA	1148.3288.00	2		
797	HS IMAGE SOFTWARE	0048.7540.00	1		
798	HS WINDOWS XP EMBEDDED	1099.8570.00	1		
799	OS BARCODE LABEL FOR PCB	0071.7714.00	1		
DRAWING 1145.1384.01 (DISPLAY UNIT)					
800	ZM MOUNTING TROUGH ZVB4/8 3-PORT	1145.2516.00	1		
801	ZM MOUNTING TROUGH ZVB4/8 4-PORT	1145.2500.00	1		
805	ZM MOUNTING TROUGH ZVB20 3-PORT	1145.2400.00	1		
806	ZM MOUNTING TROUGH ZVB20 4-PORT	1302.4619.00	1		
807	ZM MOUNTING TROUGH ZVI	1164.1986.00	1		
808	ZM MOUNTING TROUGH ZVB14/20 2/4-PORT	1305.4855.00	1		
810	OP SCREENED FILTER GLASS UPL/UPD	1069.2144.00	1		x
820	MZ RF SPRING (177)	1069.3011.00	2		
830	MZ RF CLIP (137)	1069.3105.00	2		
840	MB DISK HOLDER	0852.0850.00	4		

Position.	Designation	Stock No.	Number	Electrical Designation	Recommended spare parts
850	VS 965/ISR-M2.5X5-A4-PA	1148.2752.00	4		
855	MM PROTECTIVE COLLAR 9.6X13.9	0852.1234.00	1		
860	FLEXIBLE SWITCH BOARD	1145.1990.00	1	A16	x
870	SB KEY PAD 68T ZVB Mod 08, 80	1145.2000.00	1	A15	x
875	SB KEY PAD ZVB 4-PORT Mod 09, 22	1145.2439.00	1	A15	x
877	SB KEY PAD 68T Mod 20	1145.5050.00	1	A15	x
878	SB KEY PAD ZVB 4-PORT Mod 23	1305.4726.00	1	A15	x
880	ZM SUPPORT PLATE ZVB 3T	1145.2522.00	1		
885	ZM SUPPORT PLATE ZVB 4T	1145.2539.00	1		
890	VS 965/ISR-M2.5X5-A4-PA	1148.2752.00	10		
895	VS 965/ISR-M2.5X5-A4-PA Mod 23	1148.2752.00	4		
905	WW ADHESIVE FOAM	0852.1805.00	.7 m		
910	BP TFT 800X600X3 8.4INCH	0048.8599.00	1	A70	x
915	MZ DISPL.HF-SHIELD	1302.4490.00	1		
920	VS 6900/ISR-M2.5X8-A2	0041.1653.00	4		
930	BP VNR-08C351-INV	0048.8760.00	1	T10	x
940	VS 6900/ISR-M2.5X6-A2	1148.3059.00	2		
950	DF CONVERTER CABLE L=310 10PIN	1091.2650.00	1	W100	x
960	EM ROTARY PULSE GENERATOR 1 (WITH KEY)	0852.2701.00	1	B10	x
980	EM COLLAR	0852.1105.00	1		
990	OK RD28 AXIS RD6	0852.1086.00	1		
1000	MZ HOLDING BRACKET FOR PCB	1145.2039.00	2		
1010	VS 965/ISR-M2.5X5-A4-PA	1148.2752.00	2		
1020	GR DISPL. CONNECTOR FMR6-TOSHIB	1091.2637.00	1		x
1030	DF DISPL. CABLE TOSHIBA	1091.2666.00	1		x
1040	VS 6900/ISR-M2.5X6-A2	1148.3059.00	2		
1050	ED USB BOARD	1305.3207.02	1	A40	x

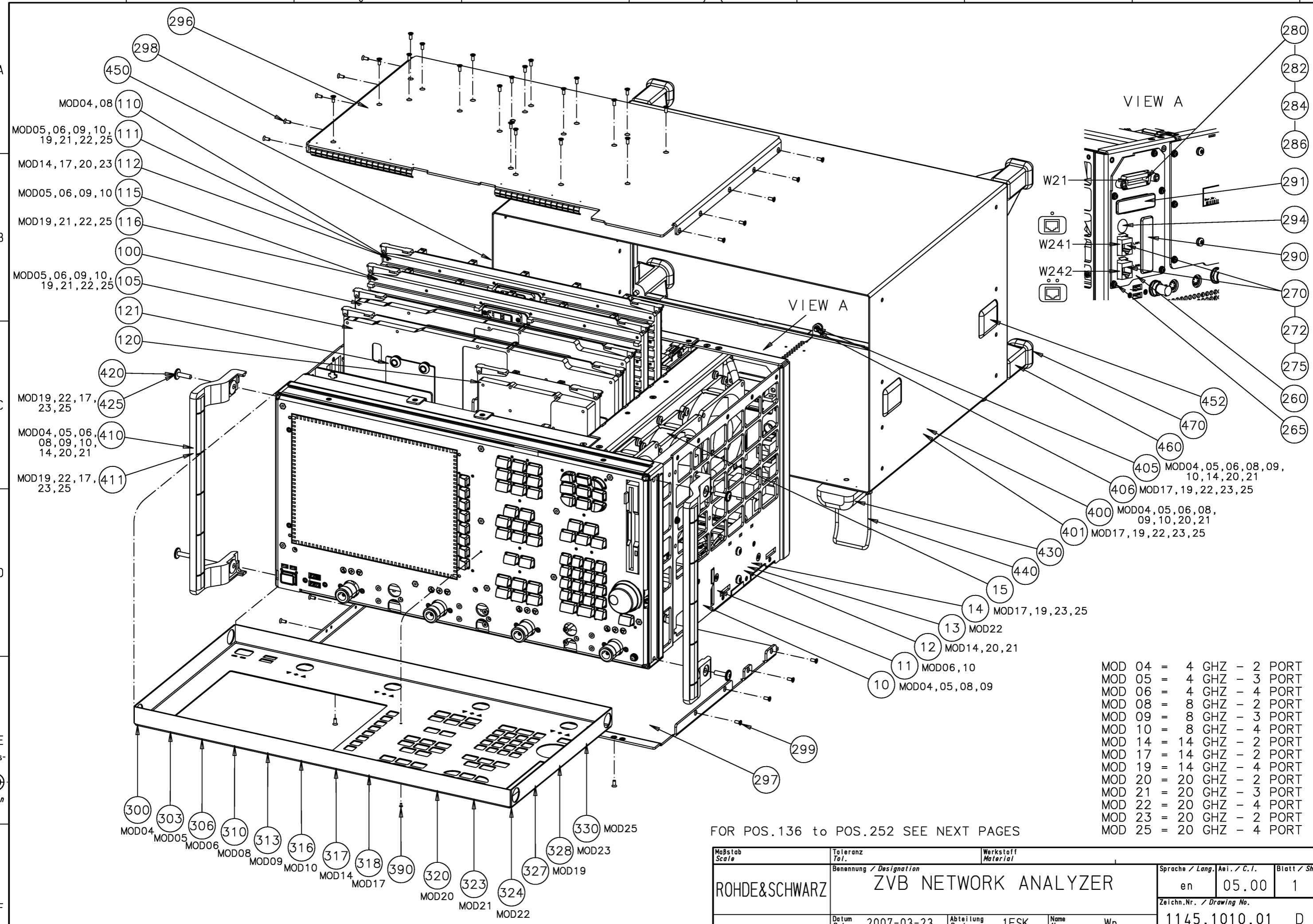
Position.	Designation	Stock No.	Number	Electrical Designation	Recommended spare parts
1060	VS 965/ISR-M2.5X5-A4-PA	1148.2752.00	2		
DRAWING 1302.4960.08 (REFLECTOMETER UNIT 4/8 GHz)					
100	ZE RM8 BR UNIT	1145.3593.02	1	A505	x
110	ED RM8 GENERATOR	1145.4754.02	1	A504	x
120	ED RM8 RECEIVER	1145.4731.04	1	A503	
125	ED RM8 RECEIVER	1145.4731.08	1	A503	
120	ED RM8 RECEIVER 2	1302.5009.04	1	A503	x
125	ED RM8 RECEIVER 2	1302.5009.08	1	A503	x
130	MN COVER B-SIDE GEN 8GHZ	1145.3670.00	1		
140	MN COVER A-SIDE GEN 8GHZ	1302.5096.00.	1		
150	MN COVER B-SIDE REC 8GHZ	1302.5109.00	1		
160	VS 965/ISR-M2.5X8-A4-PA	1148.3294.00	4		
170	MB INTAKE FUNNEL RM8GHZ	1302.5244.00	1		
180	VS 6900/ISR-M2.5X6-A2	1148.3059.00	2		
190	ZE FAN 40x40x10	1145.4590.00	1	E500	x
192	VS-DIN433-3.2-A4	0082.4570.00	4		
193	VS DIN128-A3-A2	0005.2499.00	4		
194	VS 7985/ISR-M3X16-A4	1145.5021.00	4		
200	MZ RM MOUNT ZVB	1302.5115.00	1		
210	VS 6900/ISR-M2.5X6-A2	1148.3059.00	4		
230	MZ HOLDING EXT. ZVB	1145.2251.00	1		
240	VS 965/ISR-M2.5X6-A4-PA	1148.3288.00	2		
250	OS LABEL RM8	1145.4548.00	1		
300	DW CABLE W514 GEN	1145.2616.00	1	W514	
310	DW CABLE W515 MEAS	1145.2622.00	1	W515	
320	DW CABLE W518 REF	1145.3012.00	1	W518	
330	FJ LOAD 50OHM SMA	0249.7823.00	1		
400	OS BARCODE LABEL FOR PCB	0071.7714.00	1		

Position.	Designation	Stock No.	Number	Electrical Designation	Recommended spare parts
DRAWING 1145.3593.01 SHEET 3 (BR UNIT)					
100	MB N OUTER CONDUCTOR	1045.8888.00	1		x
110	ZM INNER CONDUCTOR Unit	1302.5067.00	1		x
DRAWING 1145.4277.02 (REFLECTOMETER 20 GHz UNIT) incl. in 1145.4290.20					
10	EE REFLECTOMETER 20	1145.4254.03	1	A502	
11	EE REFLECTOMETER 20 w. o. Attenuator connector	1145.4254.02	1	A502	
20	MF COVER A-SIDE RM20	1305.4678.00	1		
30	ZE RECEIVER 20	1151.3504.02	1	A503	
40	ZE GENERATOR 20	1151.4300.02	1	A504	
42	ZE GENERATOR 20 2MHz Extension	1151.4300.03	1	A504	
45	VS DIN6900-M2.5x6	1148.3059.00	4		
50	MZ HOLDING ZVB20	1305.4803.00	4		
60	VS 965/ISR-M2.5X6-A4-PA	1148.3288.00	7		
80	ZE FAN 40x40x20	1145.4619.00	1		x
90	VS 7985/ISR-M2.5X6-A4-PA	2084.8000.00	4		
100	VS DIN125-A2.7-A4	0082.4663.00	4		
110	OS BARCODE LABEL FOR PCB	0071.7714.00	4		
150	FJ ADAPTER PC3.5 ST/ST	1127.9493.00	1	X2	
200	ZE COUPLER 24	1162.0701.02	1	A501	x
300	M COUPLER HOLDER	1145.4677.00	1		
310	MF DISTANCE PLATE RM24	1145.4490.00	1		
320	MZ SMA BRACKET ZVA24	1305.5568.00	1		
330	MZ SMA HOLDING PLATE	1305.5297.00	1		
340	VS 7985/ISR-M2.5X6-A4-PA	1148.3271.00	1		
400	VS 7985/ISR-M2.5X16-A2	1148.2869.00	2		
450	VS 965/ISR-M3X10-A4-PA	1145.2769.00	2		
500	ZE REFLECTOMETER 20	1145.4277.03	1	A500	x
600	DW Cable W514A GEN	1305.5039.00	1	W514A	

Position.	Designation	Stock No.	Number	Electrical Designation	Recommended spare parts
650	DW Cable W514B GEN	1305.5068.00	1	W514B	
700	DW Cable W515A MEAS	1305.5045.00	1	W515A	
750	DW Cable W515B MEAS	1305.5074.00	1	W515B	
800	DW Cable W518A REF	1305.5051.00	1	W518A	
850	DW Cable W518B REF	1305.5080.00	1	W518B	
900	DV RF Cable W541	1145.4931.00	1	W541	
DRAWING 1164.1770.00 (OPTION ZVAB-B4 1164.1757.02)					
120	EE FREQ. REFERENCE	1145.3835.05	1	A100	x
296	MZ INSTRUMENT COVER ZVB	1145.1849.00	1		
298	VS 965/ISR-M2.5X6-A4-PA	1148.3288.00	33		
400	KR BW2 CASING 5E1/1T350N-ZV	1145.1826.00	1		x
405	KR CASING HOLDING HOOK	1096.4796.00	1		
460	KR BW2 REAR PANEL FOOT 50MM	1096.2493.00	4		

Für dieses Dokument behalten wir uns alle Rechte vor
For this document all rights are reserved

Projektions-
methode
Projection
Method



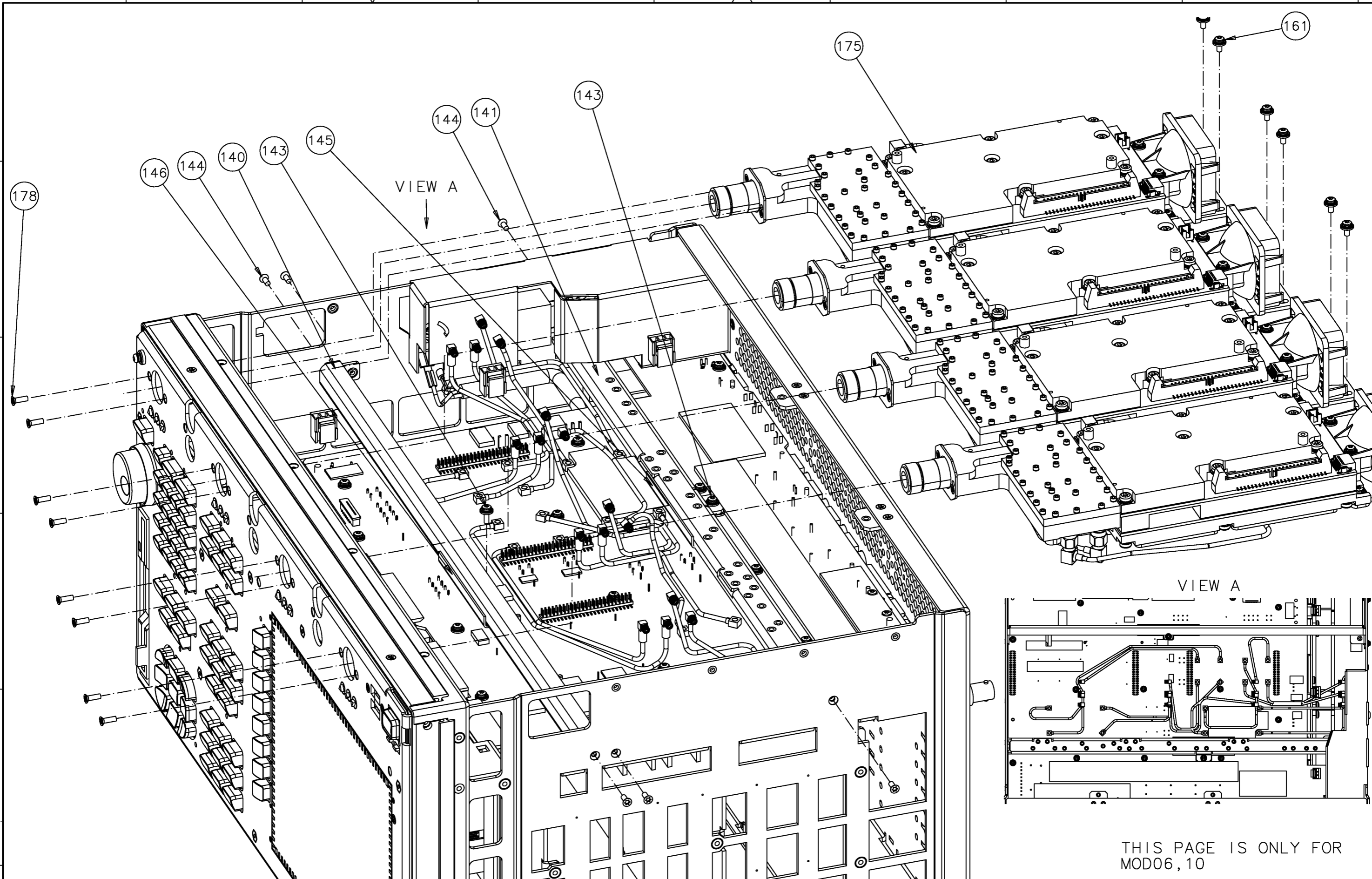
MOD 04	=	4	GHZ	-	2	PORT
MOD 05	=	4	GHZ	-	3	PORT
MOD 06	=	4	GHZ	-	4	PORT
MOD 08	=	8	GHZ	-	2	PORT
MOD 09	=	8	GHZ	-	3	PORT
MOD 10	=	8	GHZ	-	4	PORT
MOD 14	=	14	GHZ	-	2	PORT
MOD 17	=	14	GHZ	-	2	PORT
MOD 19	=	14	GHZ	-	4	PORT
MOD 20	=	20	GHZ	-	2	PORT
MOD 21	=	20	GHZ	-	3	PORT
MOD 22	=	20	GHZ	-	4	PORT
MOD 23	=	20	GHZ	-	2	PORT
MOD 25	=	20	GHZ	-	4	PORT

FOR POS.136 to POS.252 SEE NEXT PAGES

Maßstab Scale	Toleranz Tol.	Werkstoff Material	Sprache / Lang.		Aei. / C.I.	Blatt / Sh.
ROHDE&SCHWARZ	Benennung / Designation	ZVB NETWORK ANALYZER	en	05.00	1	
Datum Date			Abteilung Dept.		Name Name	Zeichn.Nr. / Drawing No.
2007-03-23			1ESK		Wn	1145.1010.01 D

Für dieses Dokument behalten wir uns alle Rechte vor
 For this document all rights are reserved

Projektions-
 methode
 Projection
 Method



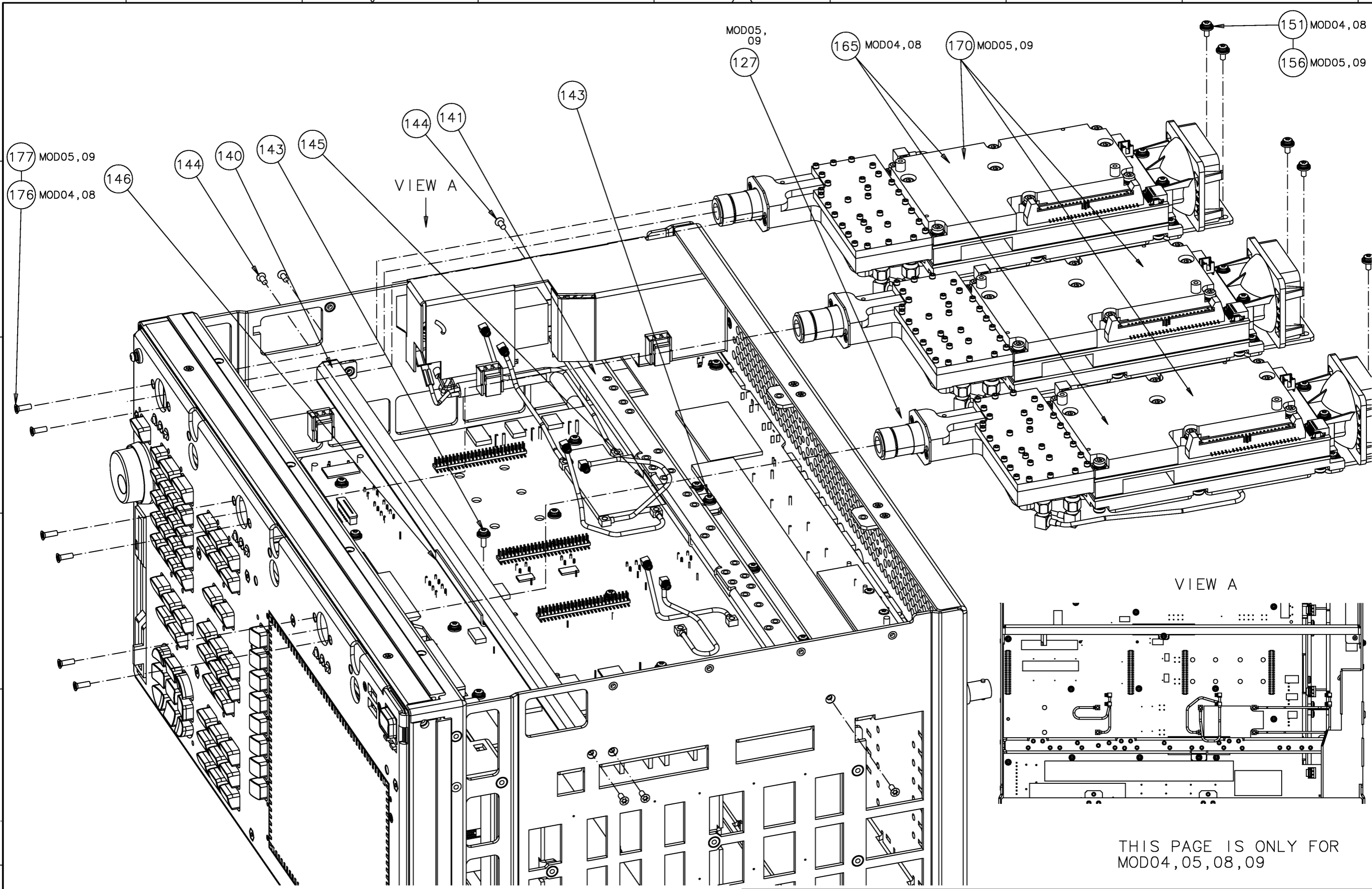
164 MOD06,10 see connector designation
 of cables and motherboard
 for cable mounting

THIS PAGE IS ONLY FOR
 MOD06,10

Maßstab Scale	Toleranz Tol.	Werkstoff Material	Sprache / Lang. / C.I.		Blatt / Sh.
ROHDE&SCHWARZ	Benennung / Designation ZVB NETWORK ANALYZER		en	03.00	2
Datum Date	Abteilung Dept.	Name Name	Zeichn.Nr. / Drawing No.		
2007-02-08	1ESK	Wn	1145.1010.01 D		

Für dieses Dokument behalten wir uns alle Rechte vor
 For this document all rights are reserved

Projektions-
 methode
 Projection
 Method



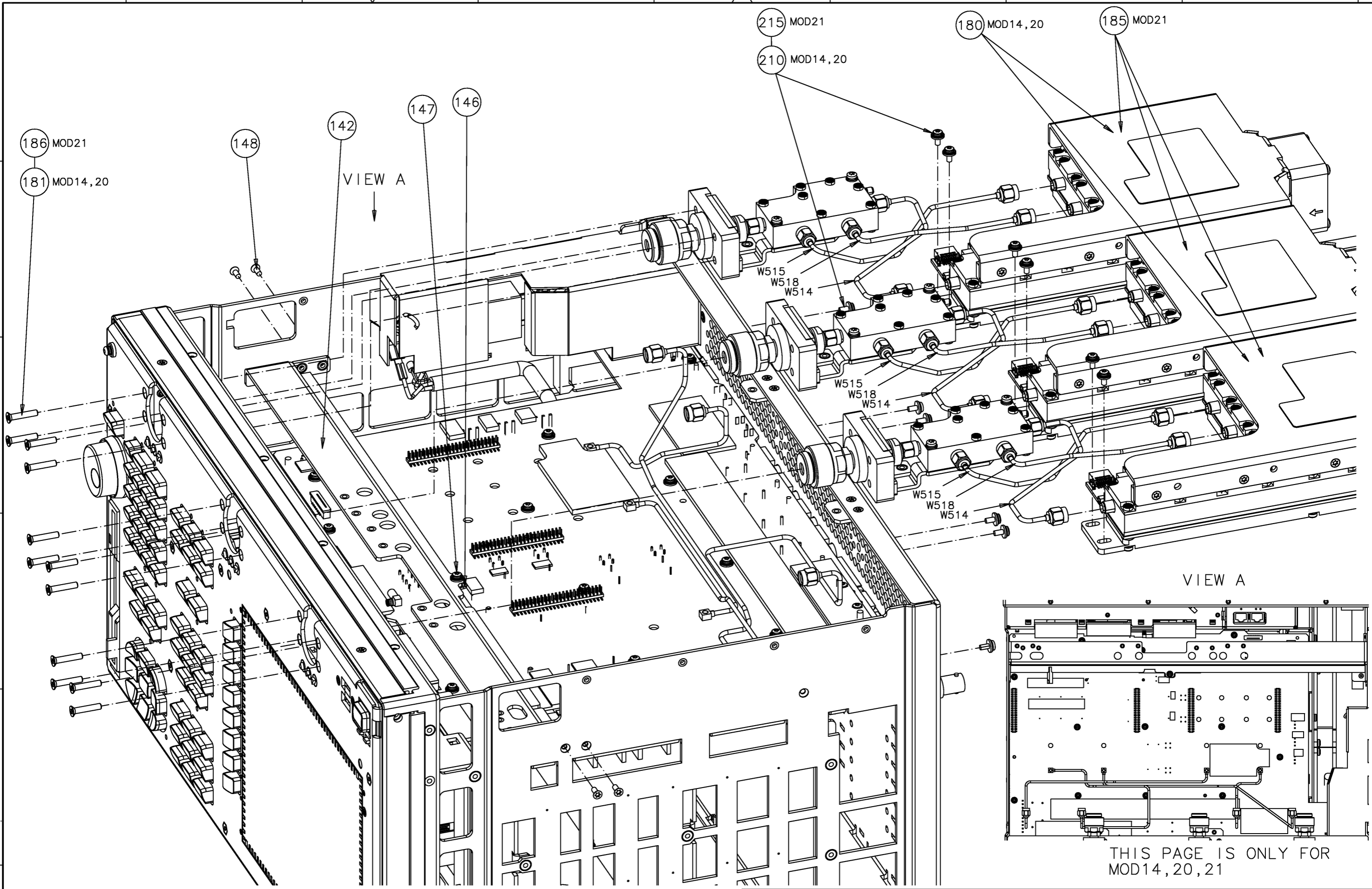
166 MOD04,08 } see connector designation
 of cables and motherboard
 for cable mounting
 158 MOD05,09 }

THIS PAGE IS ONLY FOR
 MOD04,05,08,09

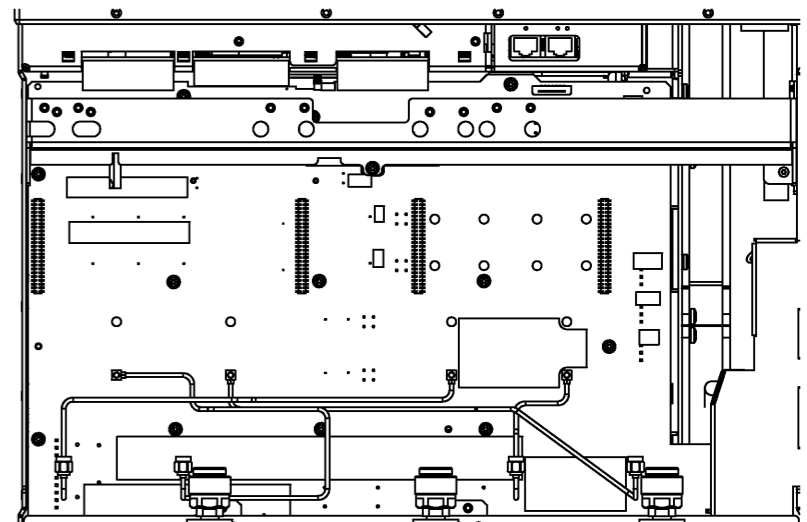
Maßstab Scale	Toleranz Tol.	Werkstoff Material	Sprache / Lang. / Aei. / C.I.		Blatt / Sh.
ROHDE&SCHWARZ	Benennung / Designation ZVB NETWORK ANALYZER		en	03.00	3
Datum Date	Abteilung Dept.	Name Name	Zeichn.Nr. / Drawing No.		
2007-02-08	1ESK	Wn	1145.1010.01 D		

Für dieses Dokument behalten wir uns alle Rechte vor
 For this document all rights are reserved

Projektions-
 methode
 Projection
 Method



183 MOD14,20 } see connector designation
 188 MOD21 } of cables and motherboard
 for cable mounting

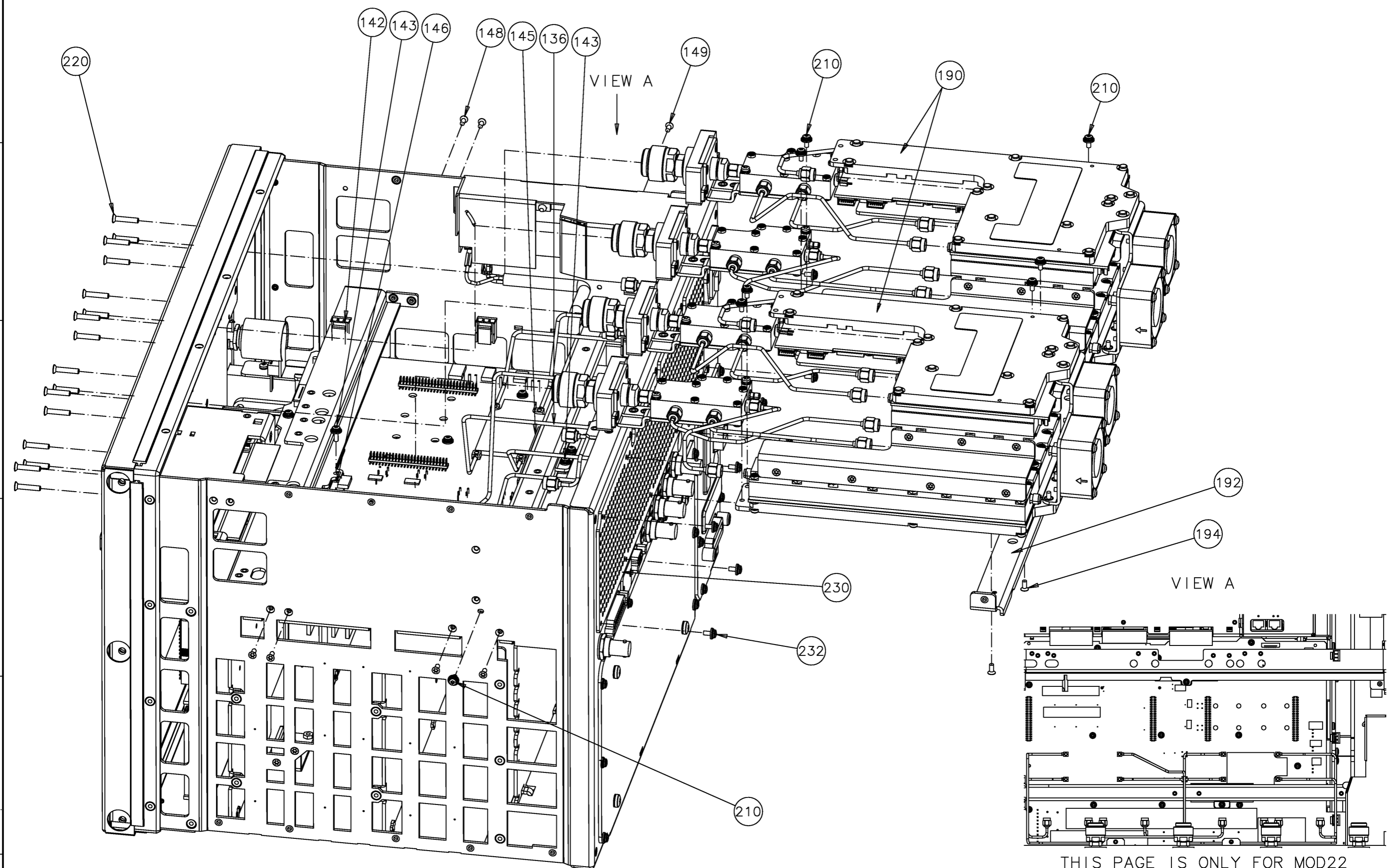


THIS PAGE IS ONLY FOR
 MOD14,20,21

Maßstab Scale	Toleranz Tol.	Werkstoff Material	Sprache / Lang. / Aei. / C.I.		Blatt / Sh.
ROHDE&SCHWARZ	Benennung / Designation ZVB NETWORK ANALYZER		en	03.00	4
Datum Date	Abteilung Dept.	Name Name	Zeichn.Nr. / Drawing No.		
2007-02-08	1ESK	Wn	1145.1010.01 D		

Für dieses Dokument behalten wir uns alle Rechte vor
 For this document all rights are reserved

Projektions-
 methode
 Projection
 Method



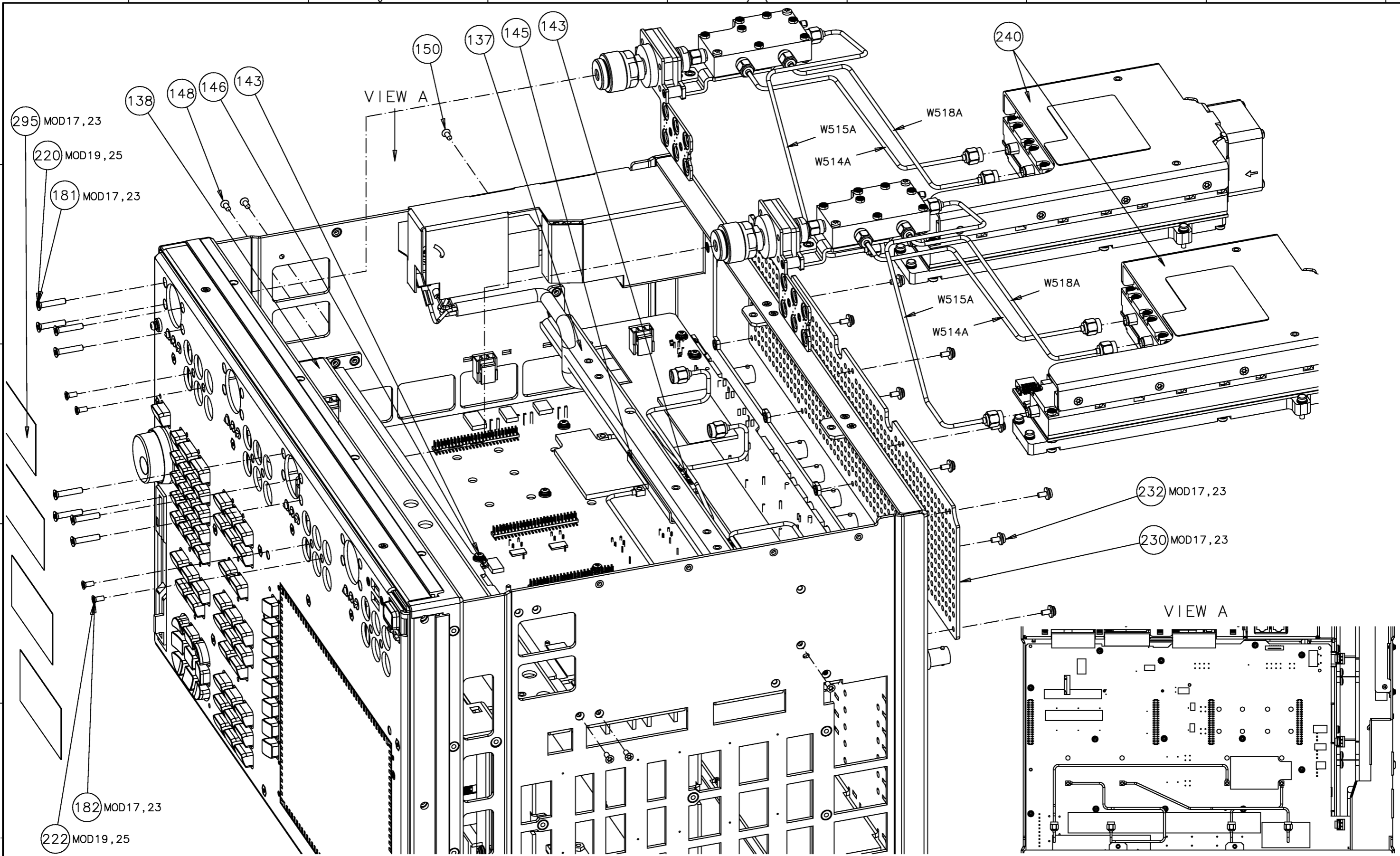
200 see connector designation
 of cables and motherboard
 for cable mounting

THIS PAGE IS ONLY FOR MOD22

Maßstab Scale	Toleranz Tol.	Werkstoff Material		
ROHDE&SCHWARZ	Benennung / Designation	ZVB NETWORK ANALYZER		
ZVB	Datum Date	2007-02-08	Abteilung Dept.	1ESK
	Name Name	Wn		
Sprache / Lang.		de en	Ver. / C.I.	02.00
Blatt / Sh.		5		
Zeichn.Nr. / Drawing No.		1145.1010.01		
		D		

Für dieses Dokument behalten wir uns alle Rechte vor
 For this document all rights are reserved

Projektions-
 methode
 Projection
 Method



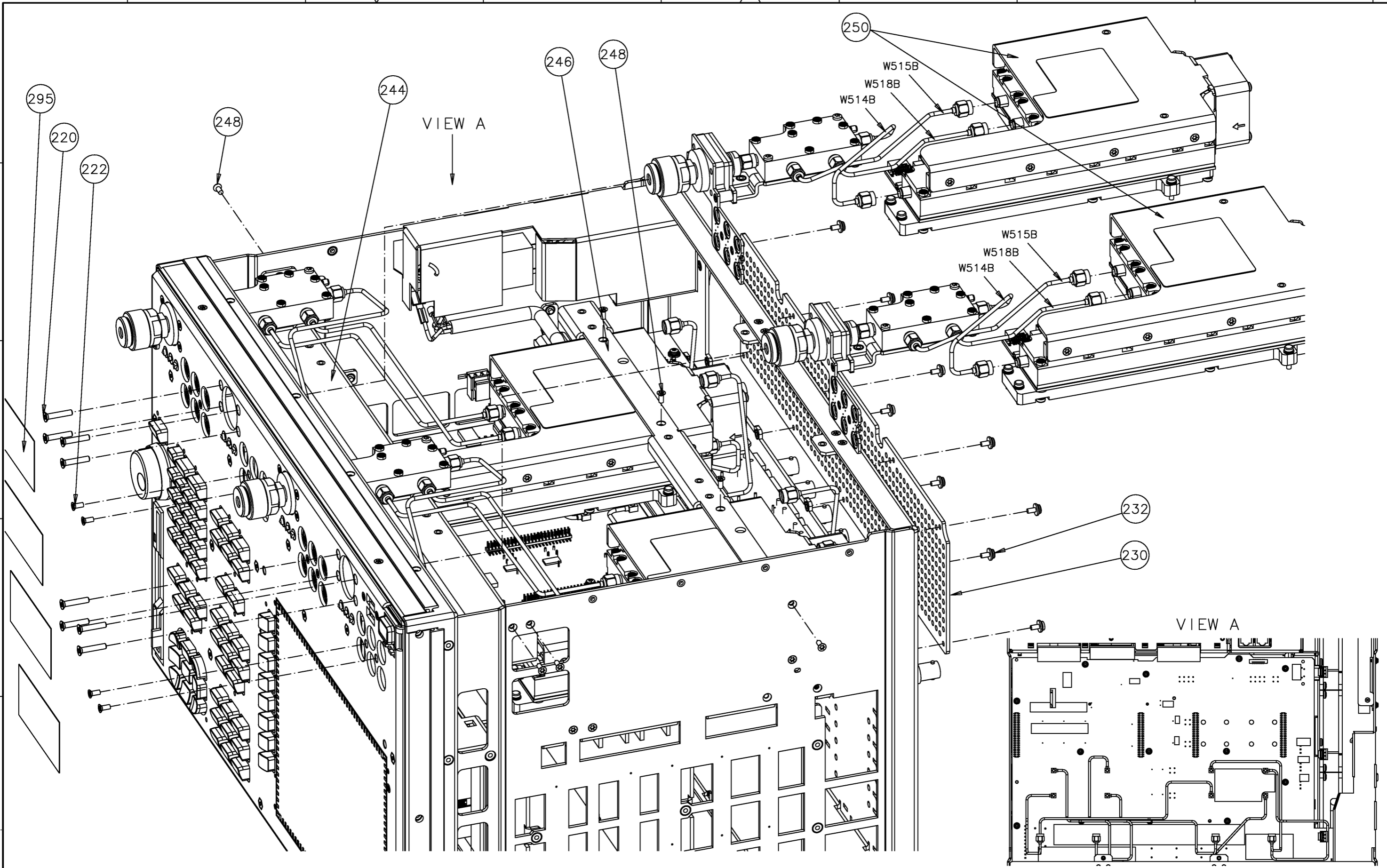
242 MOD17,23 see connector designation of cables and motherboard for cable mounting.
 252 MOD19,25 The correct order of the mounting for Pos.252 is W158,W159,W169,W166,W156,W155,W165,W168

THIS PAGE IS ONLY FOR MOD17,19,23,25
 FOR MOD19 and 25 SEE PAGE 7 TO

Maßstab Scale	Toleranz Tol.	Werkstoff Material		
ROHDE&SCHWARZ		ZVB NETWORK ANALYZER		
Benennung / Designation		Sprache / Lang. / Asi. / C.I.		Blatt / Sh.
ZVB		de en 03.00		6
Datum Date		Abteilung Dept.		Name Name
2007-03-26		1ESK		Wn
Zeichn.Nr. / Drawing No.		1145.1010.01 D		

Für dieses Dokument behalten wir uns alle Rechte vor
 For this document all rights are reserved

Projektions-
 methode
 Projection
 Method

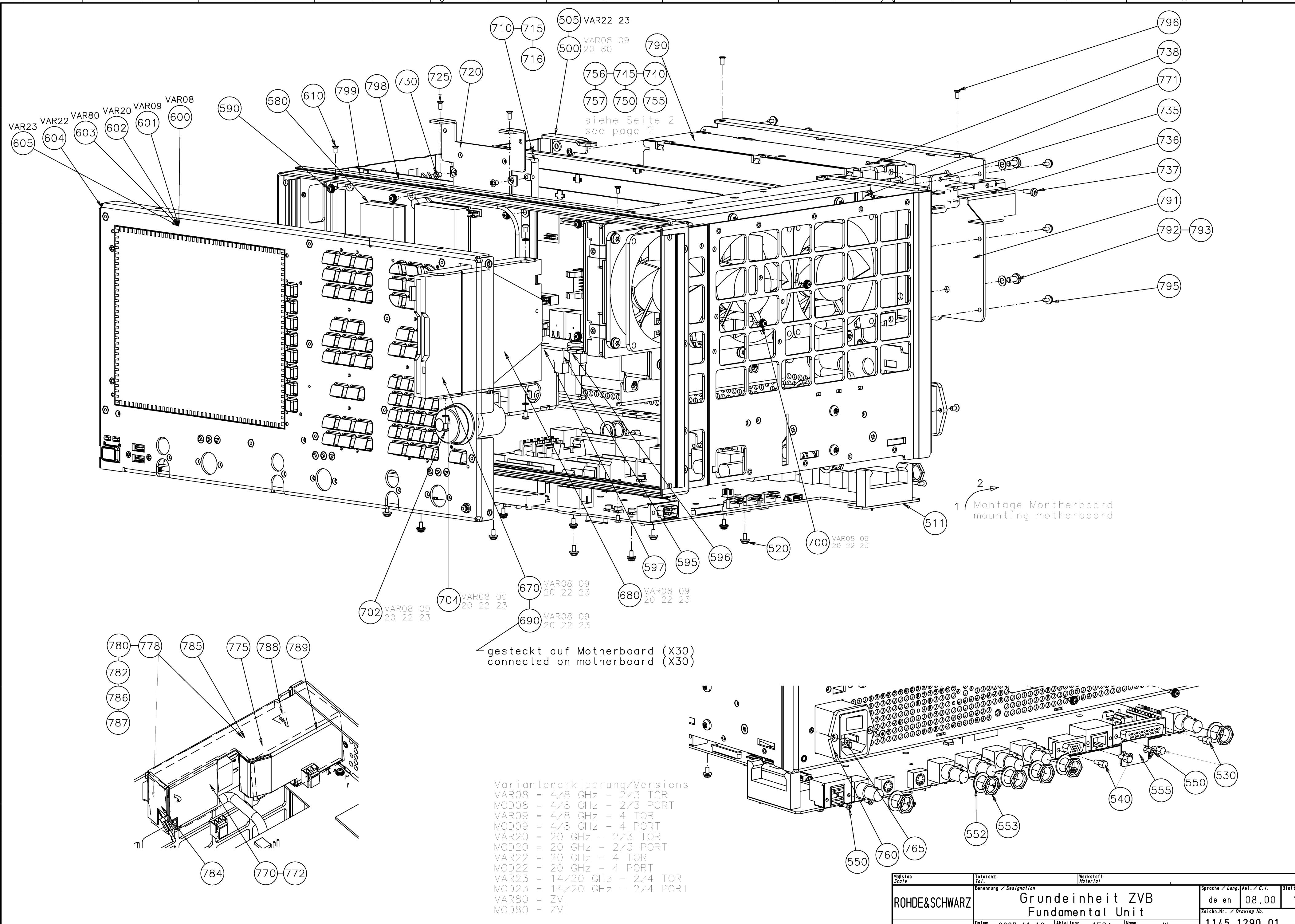


THIS PAGE IS ONLY FOR MOD19,25

Maßstab Scale	Toleranz Tol.	Werkstoff Material		Sprache / Lang. / C.I.	Blatt / Sh.
ROHDE&SCHWARZ	Benennung / Designation	ZVB NETWORK ANALYZER		de en 02.00	7
ZVB	Datum Date	2007-02-20	Abteilung Dept.	1ESK	Name Name Wn
				Zeichn.Nr. / Drawing No.	1145.1010.01 D

Für dieses Dokument behalten wir uns alle Rechte vor
For this document all rights are reserved

Projektions-
methode
Projection
Method



VAR23 605
VAR22 604
VAR80 603
VAR20 602
VAR09 601
VAR08 600

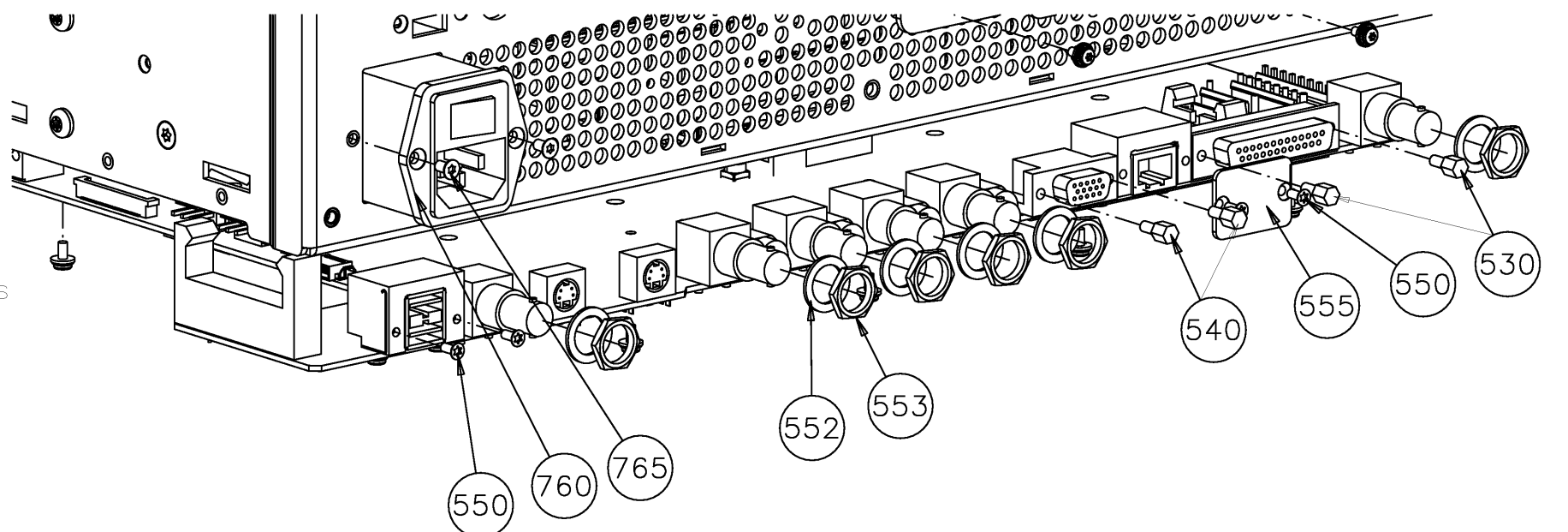
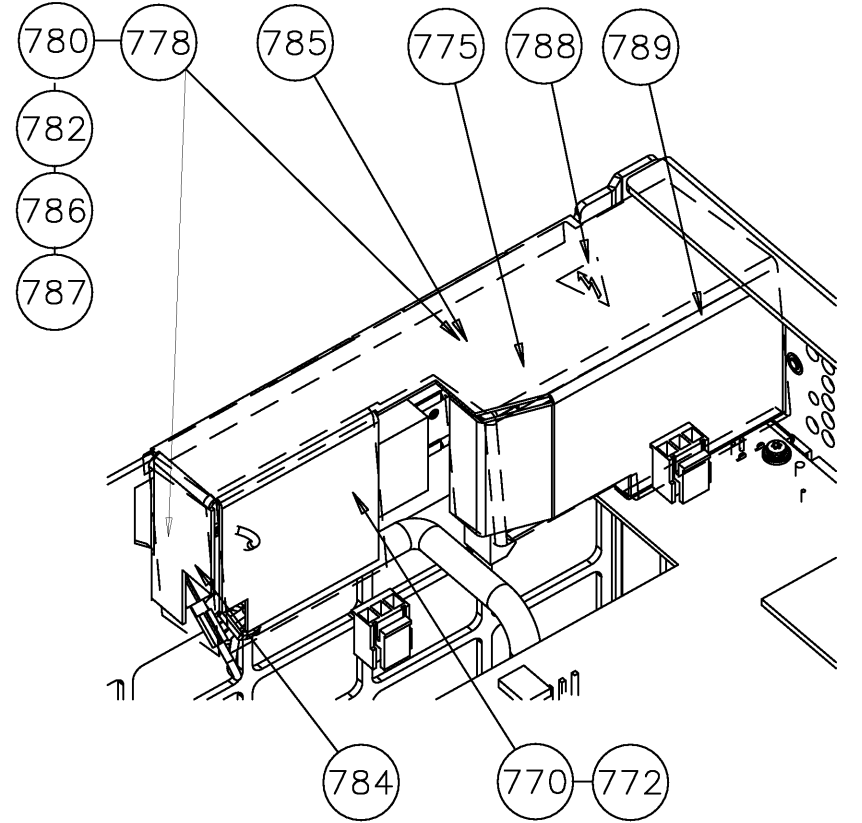
505 VAR22 23
500 VAR08 09
20 80
790
756 745 740
757 750 755
siehe Seite 2
see page 2

796
738
771
735
736
737
791
792 793
795

1 2
Montage Motherboard
mounting motherboard

702 VAR08 09 20 22 23
704 VAR08 09 20 22 23
670 VAR08 09 20 22 23
680 VAR08 09 20 22 23
690 VAR08 09 20 22 23

gesteckt auf Motherboard (X30)
connected on motherboard (X30)



Variantenerklärung/Versions
VAR08 = 4/8 GHz - 2/3 TOR
MOD08 = 4/8 GHz - 2/3 PORT
VAR09 = 4/8 GHz - 4 TOR
MOD09 = 4/8 GHz - 4 PORT
VAR20 = 20 GHz - 2/3 TOR
MOD20 = 20 GHz - 2/3 PORT
VAR22 = 20 GHz - 4 TOR
MOD22 = 20 GHz - 4 PORT
VAR23 = 14/20 GHz - 2/4 TOR
MOD23 = 14/20 GHz - 2/4 PORT
VAR80 = ZVI
MOD80 = ZVI

Maßstab Scale	Toleranz Tol.	Werkstoff Material	Sprache / Lang. / Ver. / C.I.	Blatt / Sh.
ROHDE&SCHWARZ	Benennung / Designation	Grundeinheit ZVB Fundamental Unit	de en 08.00	1
Datum Date	Abteilung Dept.	Name	Zeichn.Nr. / Drawing No.	
2007-11-19	1ESK	Wn	1145.1290.01 D	

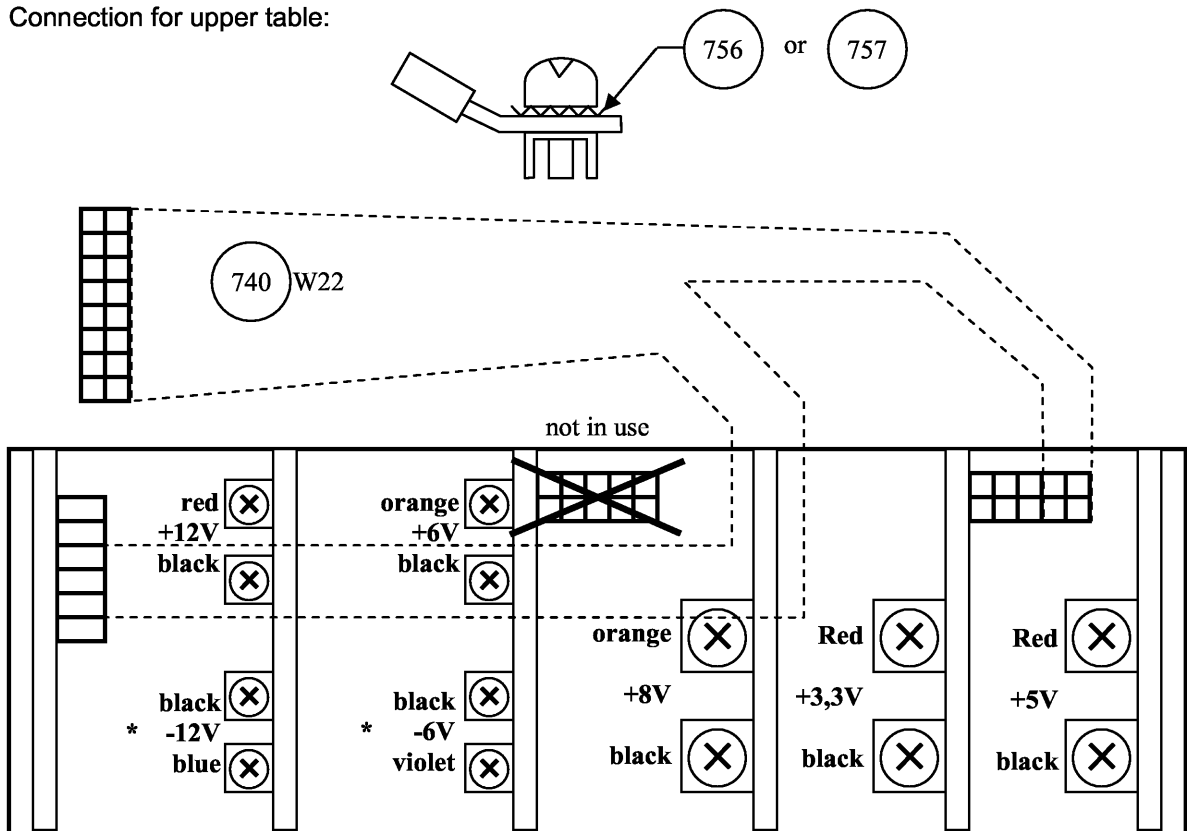
Verdrahtungsplan Netzteil

wire connections for power supply

Pos. 755		Pos. 755		Pos. 750		Pos. 745		Pos. 750	
W25 (Cable 10p)		W25 (Cable 10p)		W24 (Cable 8p)		W23 (Cable 6p)		W24 (Cable 8p)	
12V		6,5V		8V		3,6V		5,2V	
+	+12V (red)	+	+6V (orange)						
-	GND(+12V) (black)	-	GND(+6V) (black)						
+	GND(-12V) (black)	+	GND(-6V) (black)	+	+8V (orange)	+	+3,3V (red)	+	+5V (red)
-	-12V (blue)	-	-6V (violet)	-	GND(+8V) (black)	-	GND(+3,3V) (black)	-	GND(+5V) (black)

***Caution:** check wiring of negative voltage

Connection for upper table:

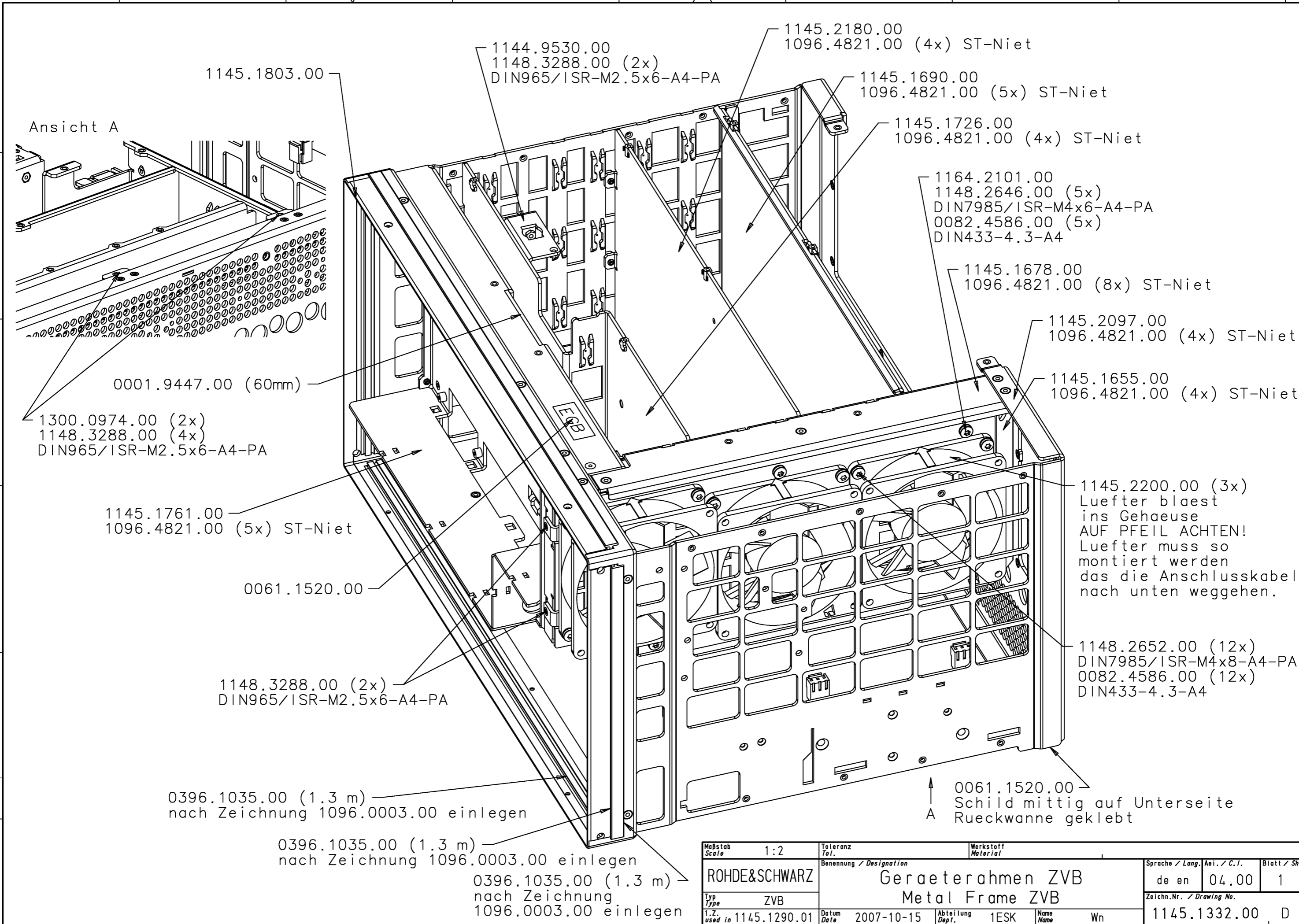


Für dieses Dokument behalten wir uns alle Rechte vor.
For this document all rights are reserved

Maßstab: / Scale:	Toleranz: / Tol.:	Rauht.: / Roughn.:	Kanten: / Edges:	Werkstoff: / Material:	Werknormen: / Company Standards:		
ROHDE&SCHWARZ		Benennung: / Designation: Grundeinheit ZVB Fundamental Unit			Sprache: / Lang.: de	Aet: / C.I.: 03.00	Blatt: / Sh.: 2
Typ: ZVB	Datum: 17.07.06	Abteilung: 1ESK	Name: Wn	Zeichn. Nr.: / Drawing Nr.: 1145.1290.01			
1. Z.: used in:							

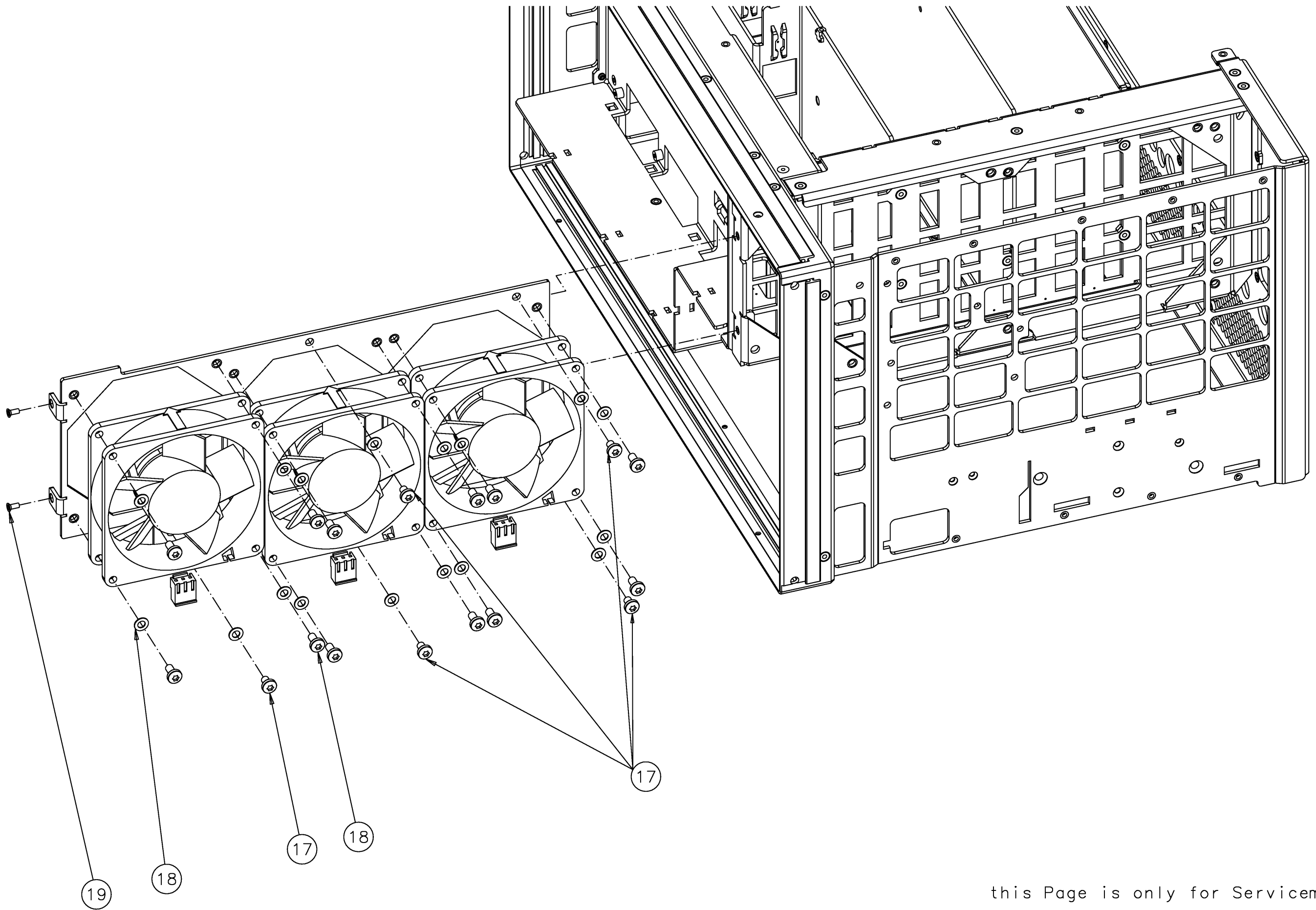
Für dieses Dokument behalten wir uns alle Rechte vor
For this document all rights are reserved

Projektions-
methode
Projection
Method



Maßstab Scale	1:2	Toleranz Tol.	Werkstoff Material	
Benennung / Designation	Geräteraahmen ZVB Metal Frame ZVB		Sprache / Lang.	de en
Typ Type	ZVB	Datum Date	04.00	Blatt / Sh. 1
i.Z. used in	1145.1290.01	Abteilung Dept.	Zeichn.Nr. / Drawing No.	
		1ESK	1145.1332.00	
		Name Name	D	
		Wn		

Für dieses Dokument behalten wir uns alle Rechte vor
 For this document all rights are reserved



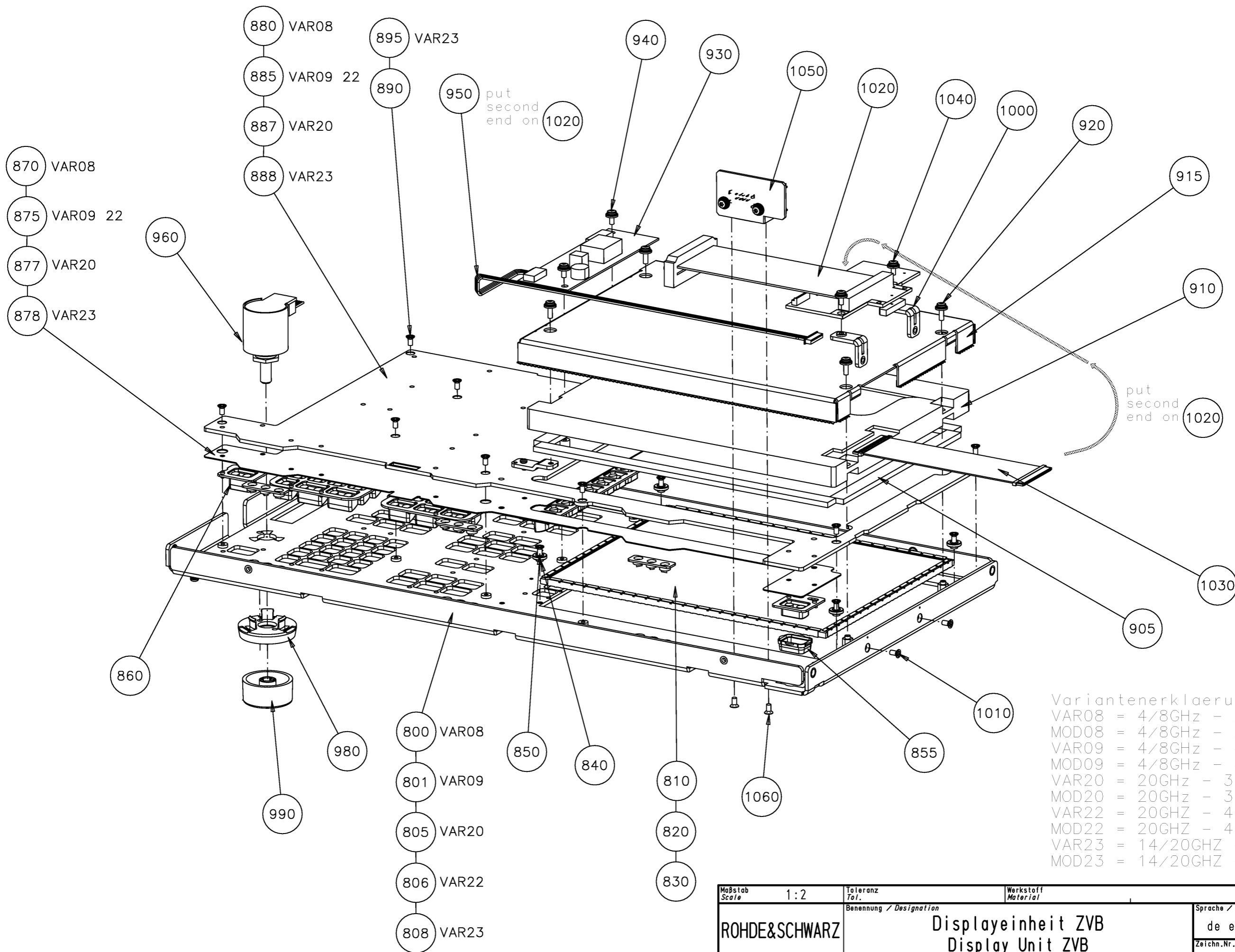
Projektions-
 methode
 Projection
 Method

this Page is only for Servicemanual

Maßstab Scale	Toleranz Tol.	Werkstoff Material		
ROHDE&SCHWARZ	Benennung / Designation	Geraeterahmen ZVB Metal Frame ZVB		Sprache / Lang. / Aei. / C.I.
	Datum Date	Abteilung Dept.	Name Name	Blatt / Sh.
	15.06.2004	1ESK	Fr.	2
				Zeichn.Nr. / Drawing No.
				1145.1332.00 D

Für dieses Dokument behalten wir uns alle Rechte vor
For this document all rights are reserved

Projektions-
methode
Projection
Method

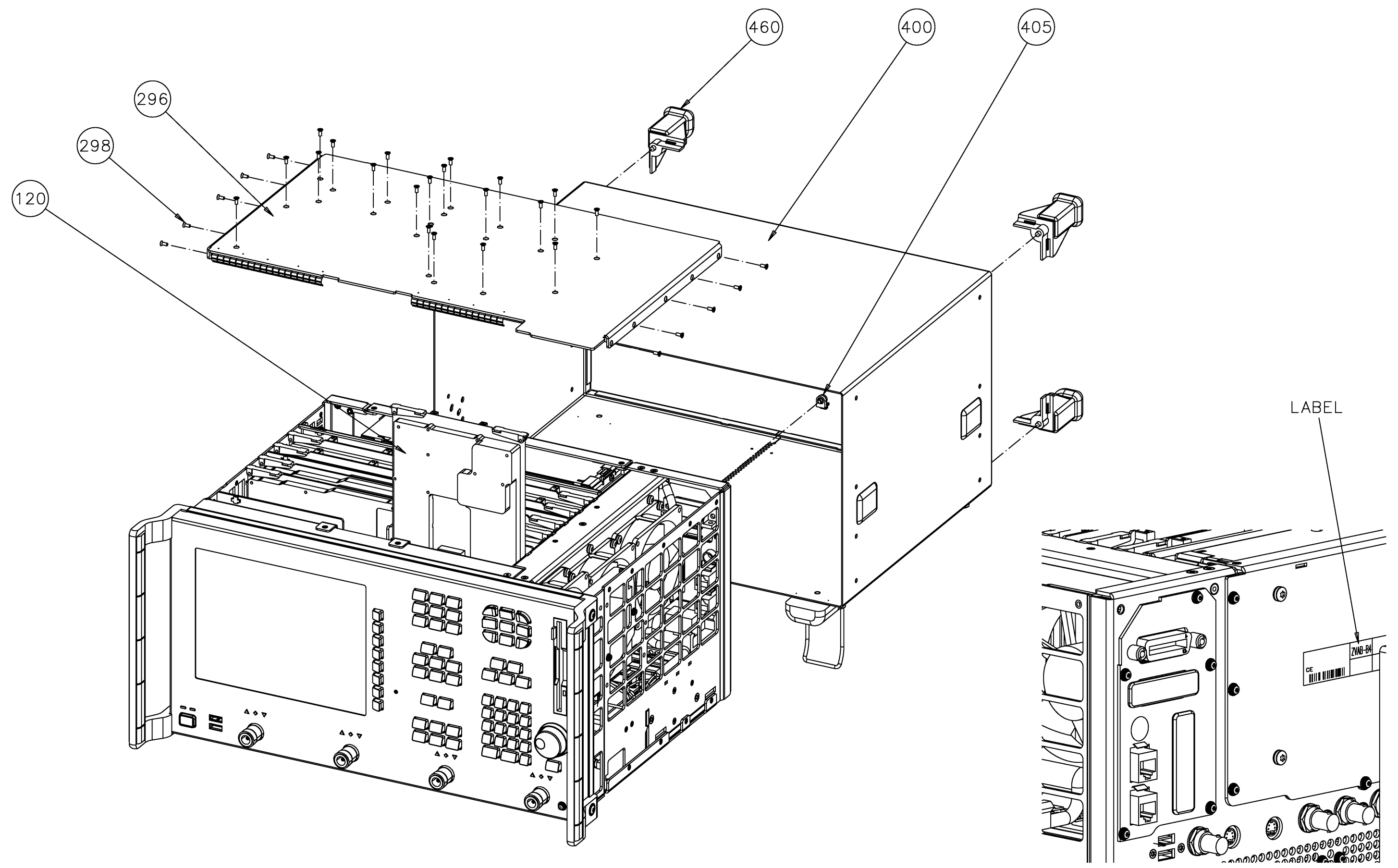


Variantenerklärung/Versions
 VAR08 = 4/8GHz - 2/3 TOR
 MOD08 = 4/8GHz - 2/3 PORT
 VAR09 = 4/8GHz - 4 TOR
 MOD09 = 4/8GHz - 4 PORT
 VAR20 = 20GHz - 3 TOR
 MOD20 = 20GHz - 3 PORT
 VAR22 = 20GHz - 4 TOR
 MOD22 = 20GHz - 4 TOR
 VAR23 = 14/20GHz - 2/4 TOR
 MOD23 = 14/20GHz - 2/4 TOR

Maßstab Scale	1:2	Toleranz Tol.	Werkstoff Material	Sprache / Lang. / C.I.	Blatt / Sh.
ROHDE&SCHWARZ		Benennung / Designation		de en	07.00
		Displayeinheit ZVB Display Unit ZVB		1	
ZVB	Datum Date	2007-10-19	Abteilung Dept.	1ESK	Name Name
				Wn	
				Zeichn.Nr. / Drawing No.	1145.1384.01
					D

Für dieses Dokument behalten wir uns alle Rechte vor
 For this document all rights are reserved

Projektions-
 methode
 Projection
 Method



Maßstab Scale	Toleranz Tol.	Werkstoff Material	
ROHDE&SCHWARZ	Benennung / Designation Einbauanweisung ZVAB-B4 INSTALL. INSTR. ZVAB-B4	Sprache / Lang. / Aei. / C.I.	Blatt / Sh.
	Datum Date 04.05.2004	Abteilung Dept. 1ESK	Name Name FR
	Zeichn.Nr. / Drawing No. 1164.1770.00		D

A

B

C

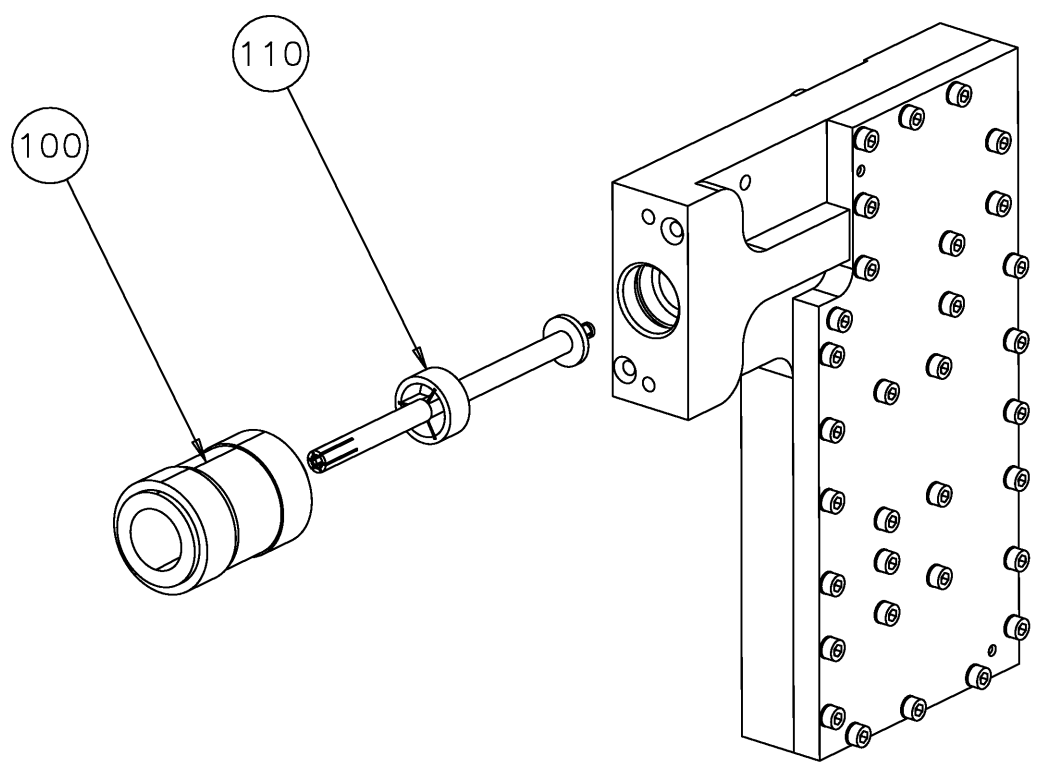
D

E

F

I

Für dieses Dokument behalten wir uns alle Rechte vor
For this document all rights are reserved



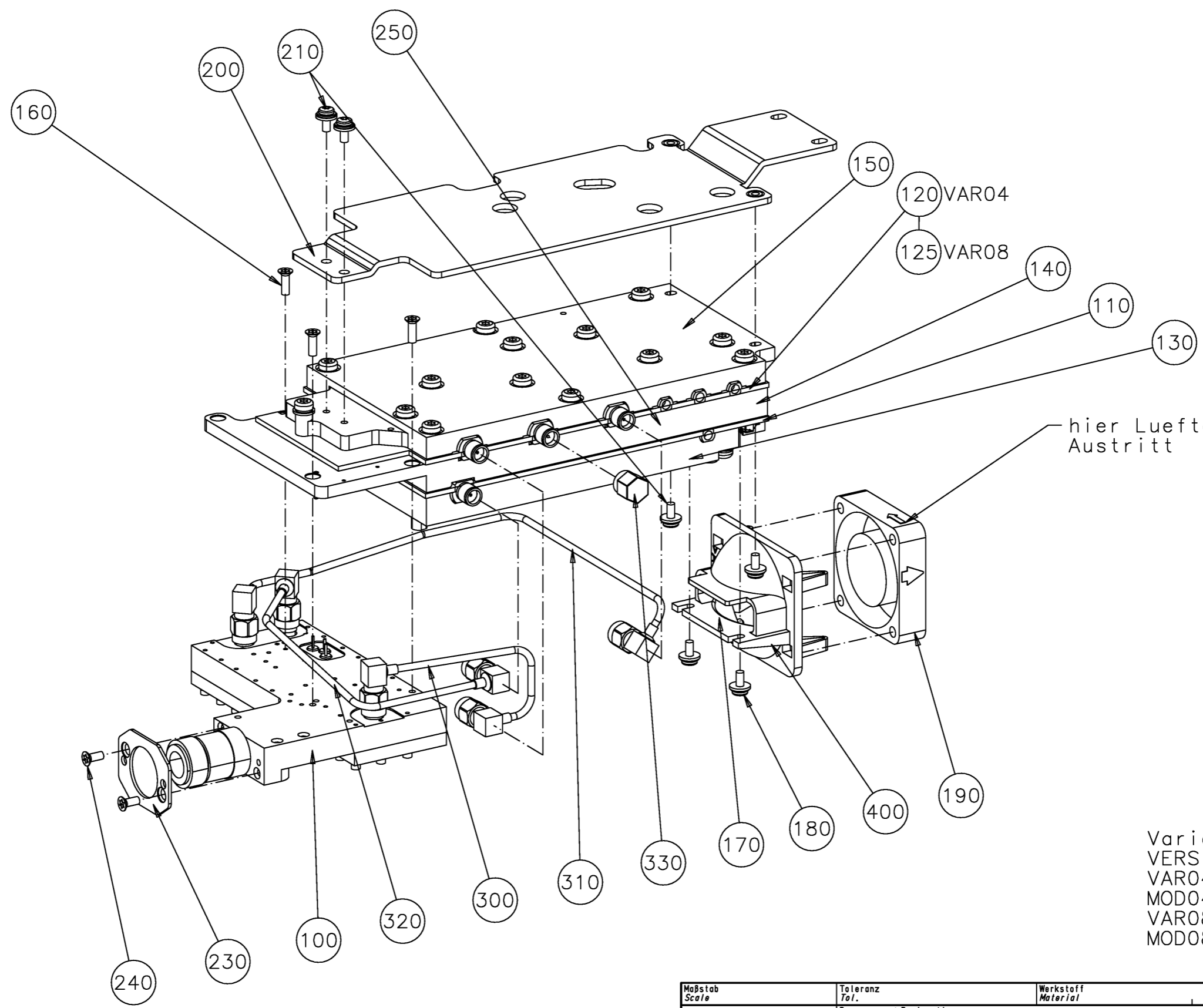
Projektions-
methode

Projection
Method

Maßstab Scale	1:1	Toleranz Tol.		Werkstoff Material	
ROHDE&SCHWARZ	Benennung / Designation			Sprache / Lang. Aei. / C.I.	
	RM8 BR UNIT RM8 BR UNIT			de en	02.00
	Datum Date	08.07.2004	Abteilung Dept.	1ESK	Name Name
				Wn	Zeichn.Nr. / Drawing No.
					1145.3593.01
					Blatt / Sh. 3
					D

Für dieses Dokument behalten wir uns alle Rechte vor
 For this document all rights are reserved

Projektions-
 methode
 Projection
 Method



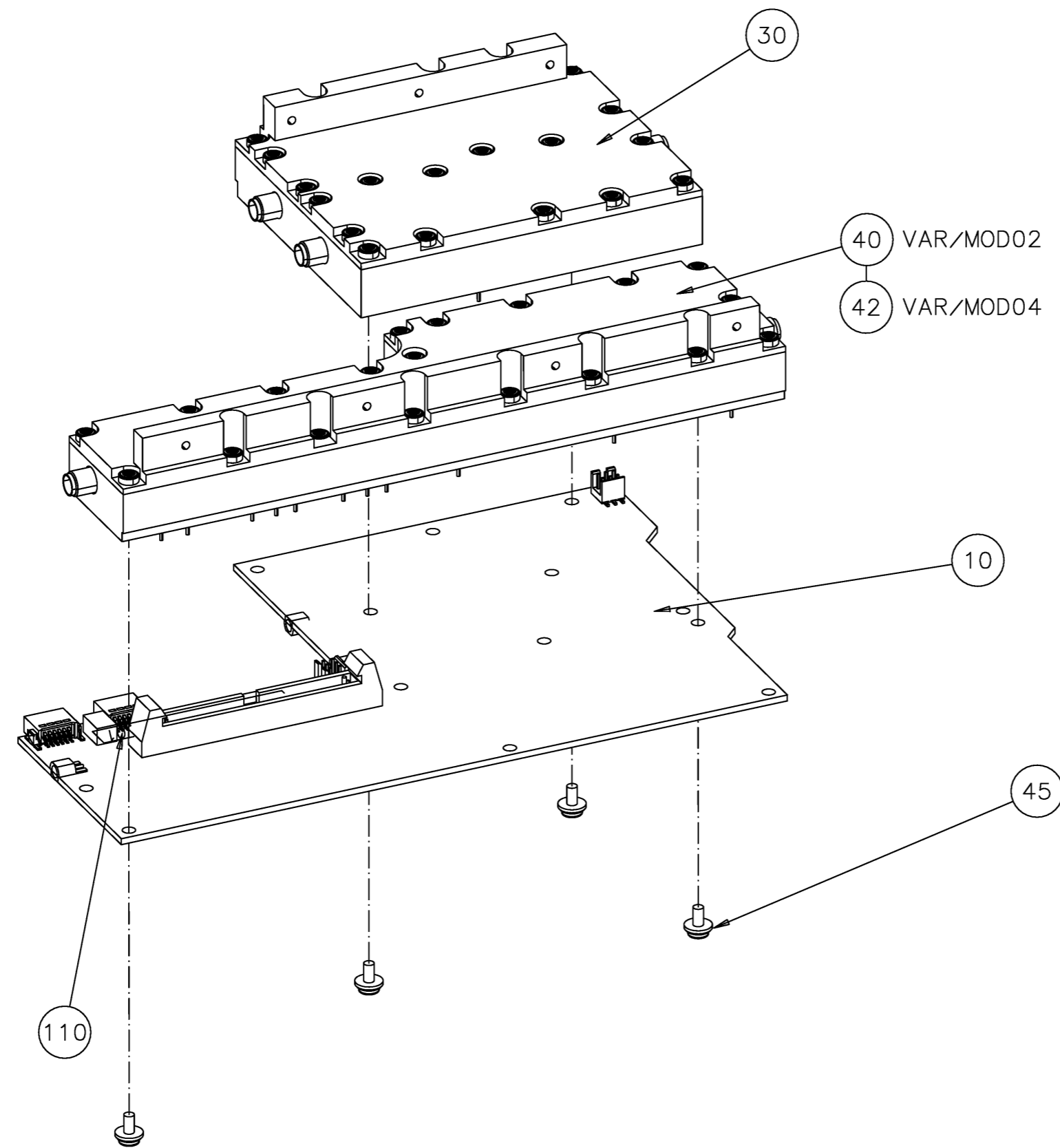
hier Luefterkabel
 Austritt

Variantenerklaerung/
 VERSIONS:
 VAR04 = 4GHz
 MOD04 = 4GHz
 VAR08 = 8GHz
 MOD08 = 8GHz

Maßstab Scale	Toleranz Tol.	Werkstoff Material	Sprache / Lang. / Aei. / C.I.			Blatt / Sh.
ROHDE&SCHWARZ	Benennung / Designation	RM UNIT ZVB 4/8 GHz RM UNIT ZVA 4/8 GHz	de en	03.00	1	
ZVB	Datum Date	2006-01-10	Abteilung Dept.		Name Name	Zeichn.Nr. / Drawing No.
			1ESK	Mi	1145.3664.01	D

I

Für dieses Dokument behalten wir uns alle Rechte vor
For this document all rights are reserved



45 werden nur fuer die Pruefung der Baugruppe im Prueffeld benoetigt. Vor Einbau in uebergeordnete Baugruppe wieder entfernen.

Variantenerklaerung/
Versions
VAR 02 = Grundaufuehrung
MOD 02 = Basic Model
VAR 04 = 2MHz Erweiterung
MOD 04 = 2MHz Extension

Projektions-
methode
Projection
Method

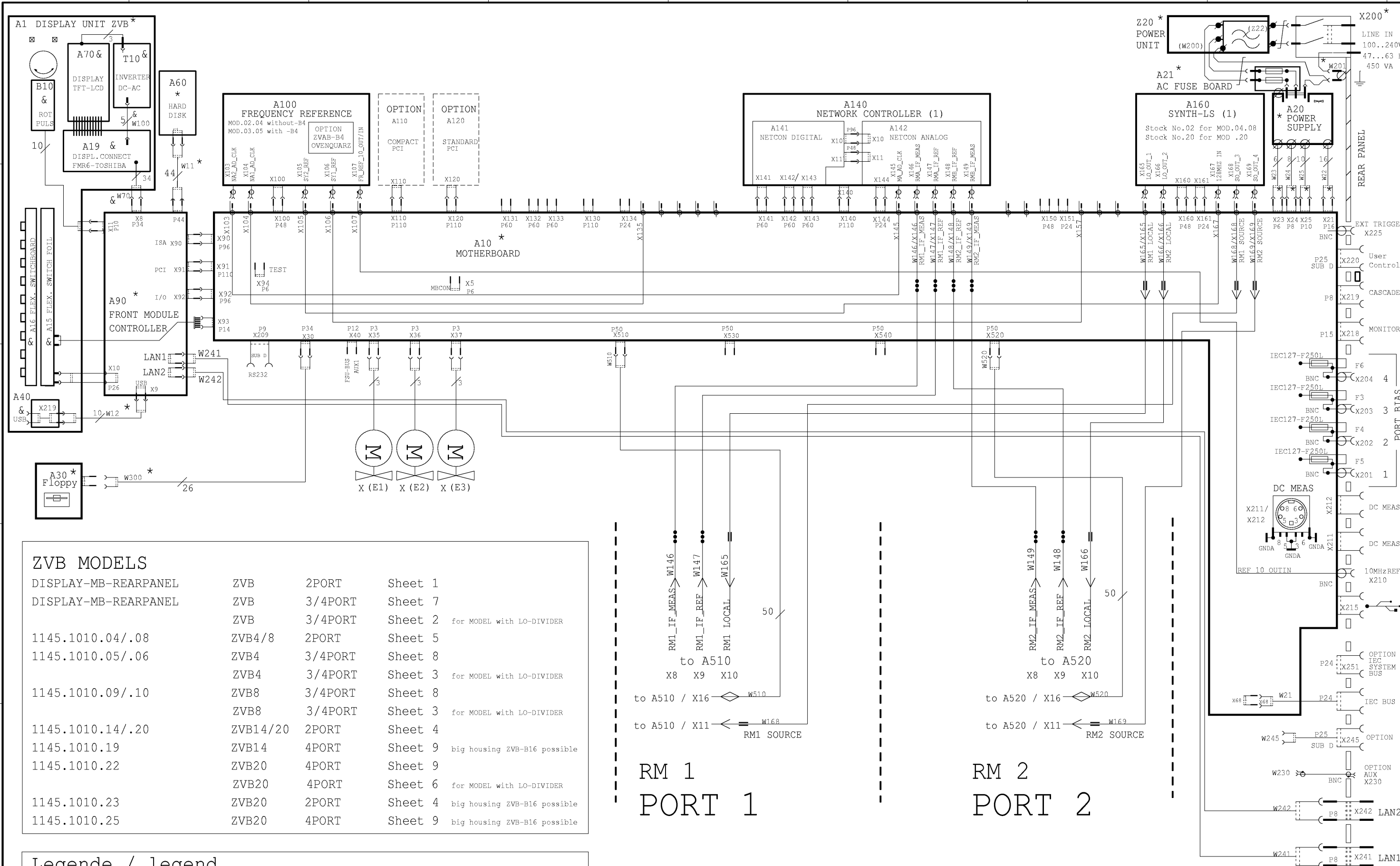
Maßstab Scale	Toleranz Tol.	Werkstoff Material	Sprache / Lang. / C.I.		Blatt / Sh.
ROHDE&SCHWARZ	REFLECTOMETER 20		de en	06.00	1
Datum Date			Zeichn.Nr. / Drawing No.		
2007-02-01			1145.4277.01		D
Abteilung Dept.		Name Name			
1ESK		Wn			



ROHDE & SCHWARZ

Block Circuit Diagram

Fuer dieses Dokument behalten wir uns alle Rechte vor
 For this document all rights are reserved



ZVB MODELS			
DISPLAY-MB-REARPANEL	ZVB	2PORT	Sheet 1
DISPLAY-MB-REARPANEL	ZVB	3/4PORT	Sheet 7
	ZVB	3/4PORT	Sheet 2 for MODEL with LO-DIVIDER
1145.1010.04/.08	ZVB4/8	2PORT	Sheet 5
1145.1010.05/.06	ZVB4	3/4PORT	Sheet 8
	ZVB4	3/4PORT	Sheet 3 for MODEL with LO-DIVIDER
1145.1010.09/.10	ZVB8	3/4PORT	Sheet 8
	ZVB8	3/4PORT	Sheet 3 for MODEL with LO-DIVIDER
1145.1010.14/.20	ZVB14/20	2PORT	Sheet 4
1145.1010.19	ZVB14	4PORT	Sheet 9 big housing ZVB-B16 possible
1145.1010.22	ZVB20	4PORT	Sheet 9
	ZVB20	4PORT	Sheet 6 for MODEL with LO-DIVIDER
1145.1010.23	ZVB20	2PORT	Sheet 4 big housing ZVB-B16 possible
1145.1010.25	ZVB20	4PORT	Sheet 9 big housing ZVB-B16 possible

Legende / legend

RM n = REFLECTOMETER n

— semi rigid cable

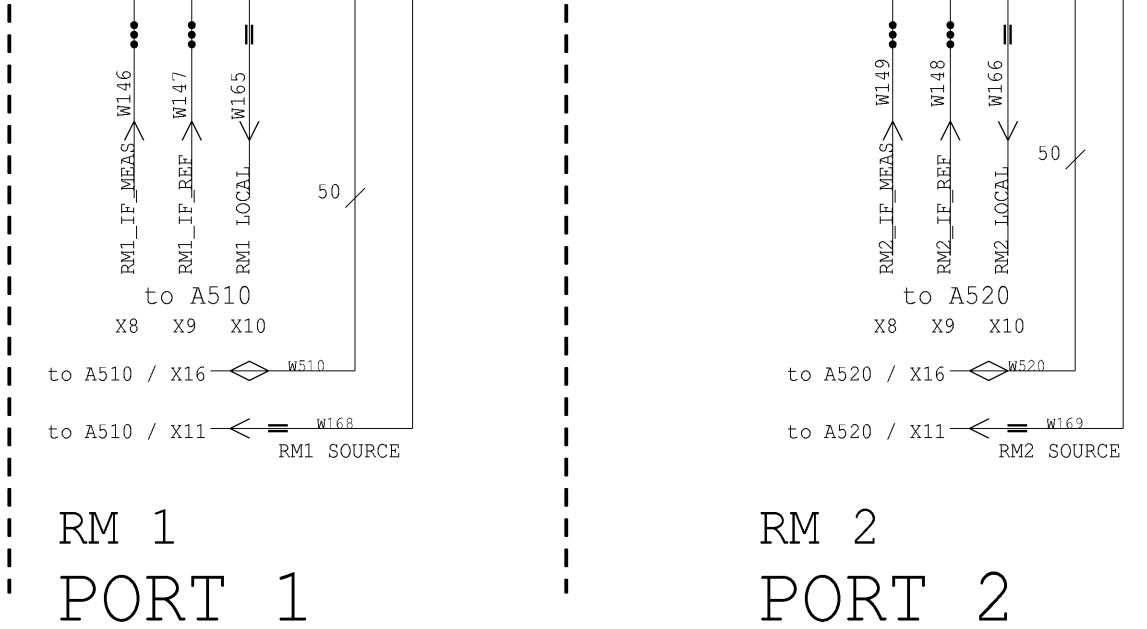
••• flex koax cable

Cables to RM n
 enthalten in / contained in
 KABELSATZ ZVB/SET OF CABLE ZVB
 1302.5044.01
 1145.2545.01 with LO-DIVIDER

*
 enthalten in / contained in
 GRUNDEINHEIT ZVB /
 FUNDAMENTAL UNIT
 1145.1290.01

&
 enthalten in / contained in
 DISPLAYEINHEIT ZVB
 DISPLAY UNIT ZVB
 1145.1384.01

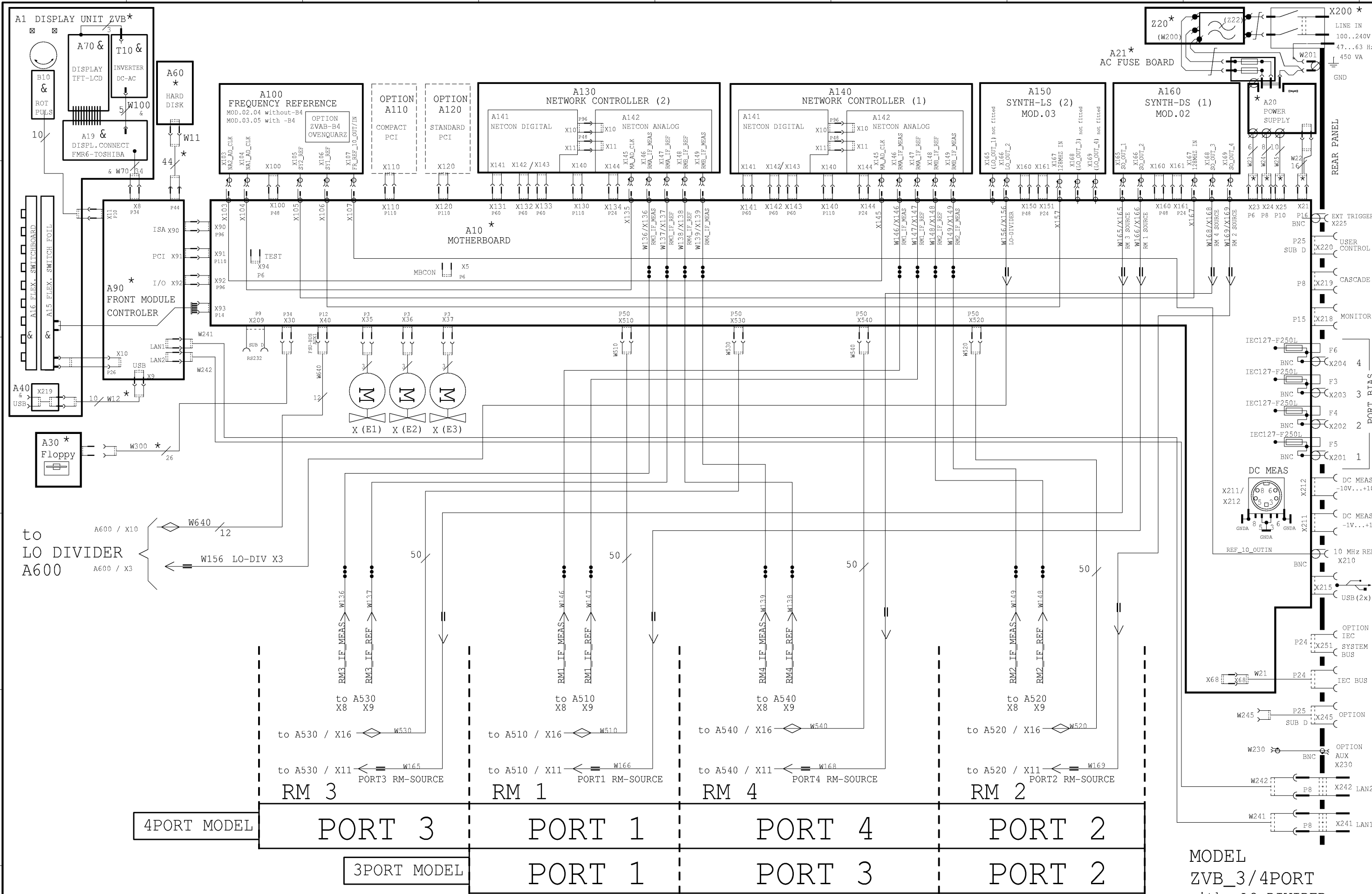
X = E1, E2, E3
 enthalten in / contained in
 GERÄTERAHMEN/
 DEVICE FRAME
 1145.1355.00



MODEL
ZVB_2PORT

ROHDE&SCHWARZ	Benennung / Designat.: ZVB NETWORK ANALYZER			Spr.:/Lang.: de	Art./C.I.: 16.00	Blatt:/Sh.: 1 +
	Zeichn.Nr./Drawing No.: 1145.1010.01 S					
ZVB	Datum: Date: 07-02-14	Abteilung: Dept.: 1ESK	Name: Name: smolinsk			

Für dieses Dokument behalten wir uns alle Rechte vor
For this document all rights are reserved



Legende / legend

Cables to RM n
enthalten in / contained in
KABELSATZ ZVB/
SET OF CABLE ZVB
1145.2545.01

RM n = REFLECTOMETER n

— semi rigid cable

●●● flex coax cable

*
enthalten in / contained in
GRUNDEINHEIT ZVB /
FUNDAMENTAL UNIT
1145.1290.01

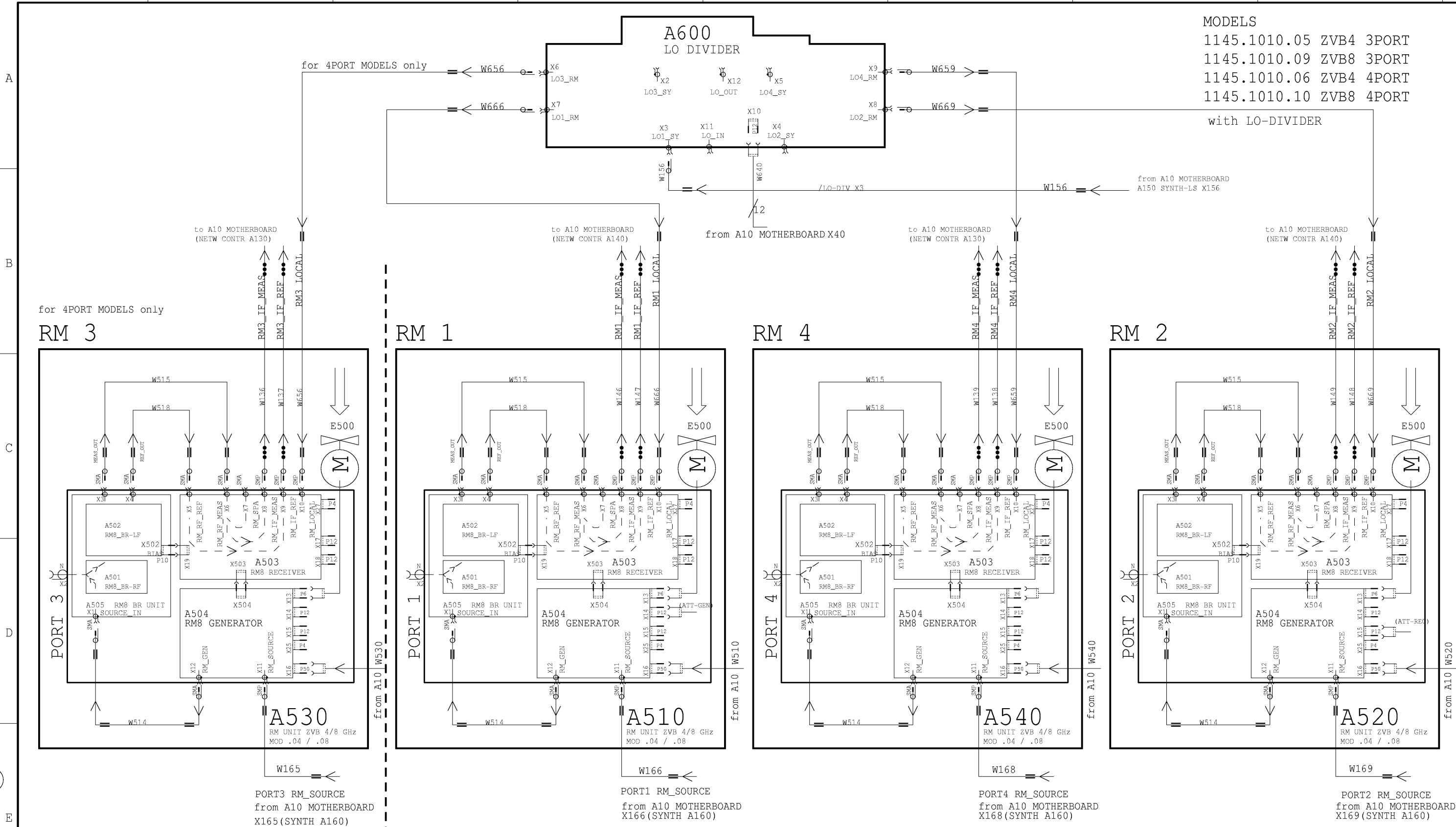
&
enthalten in / contained in
DISPLAYEINHEIT ZVB /
DISPLAY UNIT ZVB
1145.1384.01

X = E1, E2, E3
enthalten in / contained in
GERÄTERAHMEN/
DEVICE FRAME
1145.1355.00

ROHDE&SCHWARZ	Benennung / Designat.: ZVB NETWORK ANALYZER			Spr./Lang.: de	Aei./C.I.: 16.00	Blatt./Sh.: 2 +
	Datum: Date: 07-02-14			Abteilung: Dept.: 1ESK		Name: Name: zimmer
ZVB				Zeichn.Nr./Drawing No.: 1145.1010.01 S		

MODEL
ZVB_3/4PORT
with LO-DIVIDER

Fuer dieses Dokument behalten wir uns alle Rechte vor
For this document all rights are reserved



- MODELS
- 1145.1010.05 ZVB4 3PORT
 - 1145.1010.09 ZVB8 3PORT
 - 1145.1010.06 ZVB4 4PORT
 - 1145.1010.10 ZVB8 4PORT
- with LO-DIVIDER



Cables to A510, A520, A530, A540
enthalten in / contained in
KABELSATZ ZVB/SET OF CABLE ZVB
1145.2545.01 3PORT

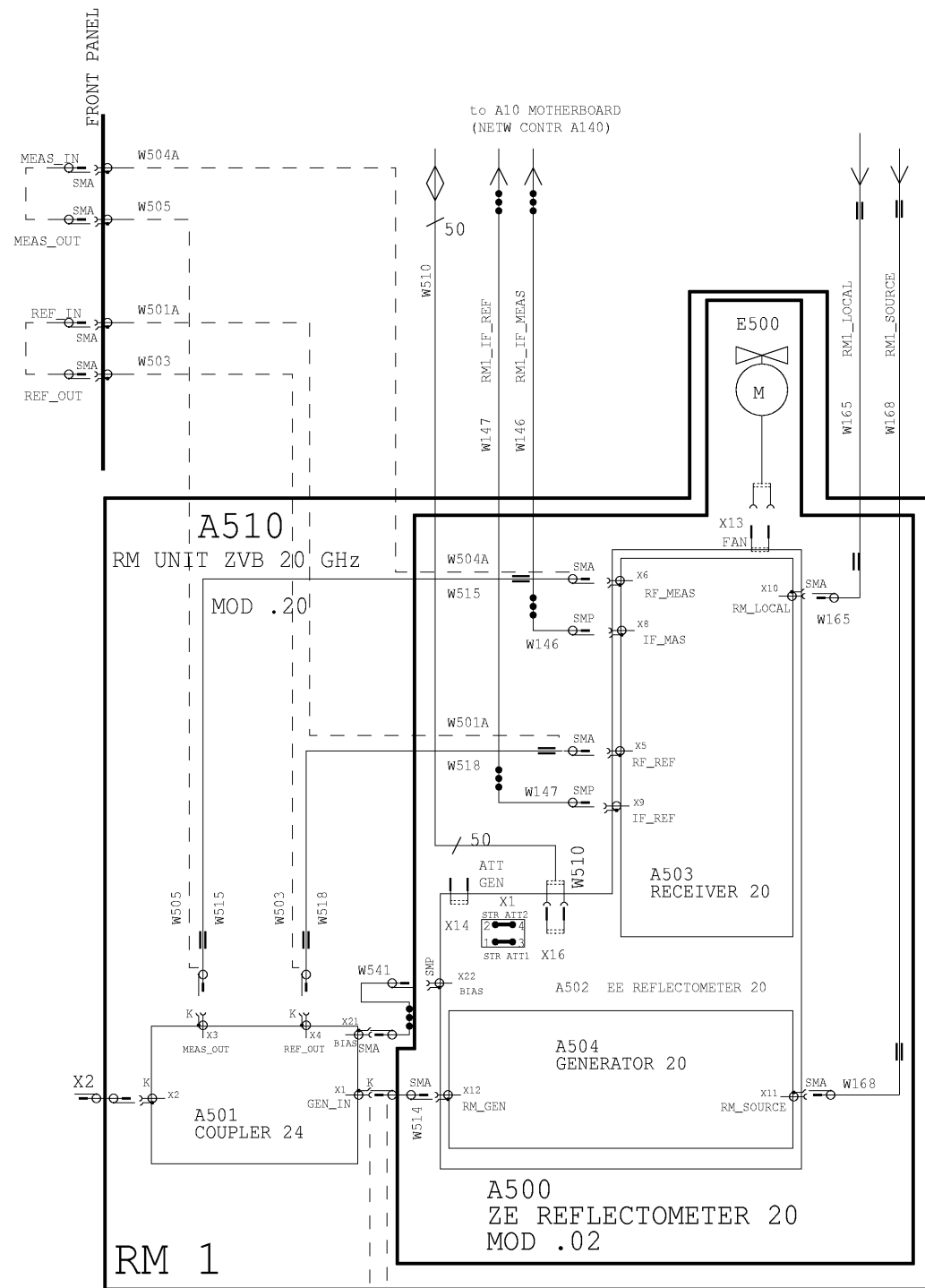
Legende / legend

- RM n = REFLECTOMETER n
- semirigid cable
- flex koax cable

ROHDE&SCHWARZ	Benennung / Designat.: ZVB NETWORK ANALYZER			Spr.:/Lang.: de	Aei:/C.I.: 16.00	Blatt:/Sh.: 3 +
	ZVB	Datum: Date: 07-02-14	Abteilung: Dept.: 1ESK	Name: Name: smolinsk	Zeichn.Nr./Drawing No.: 1145.1010.01 S	

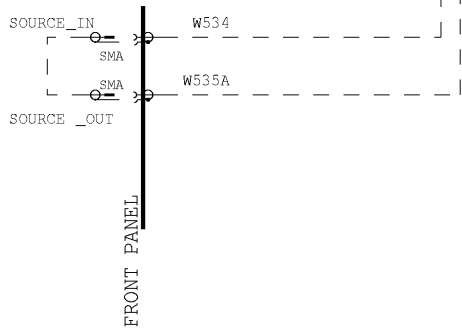
Fuer dieses Dokument behalten wir uns alle Rechte vor
For this document all rights are reserved

OPTION
ZVB14-B16
ZVB20-B16
only MOD.17/.23

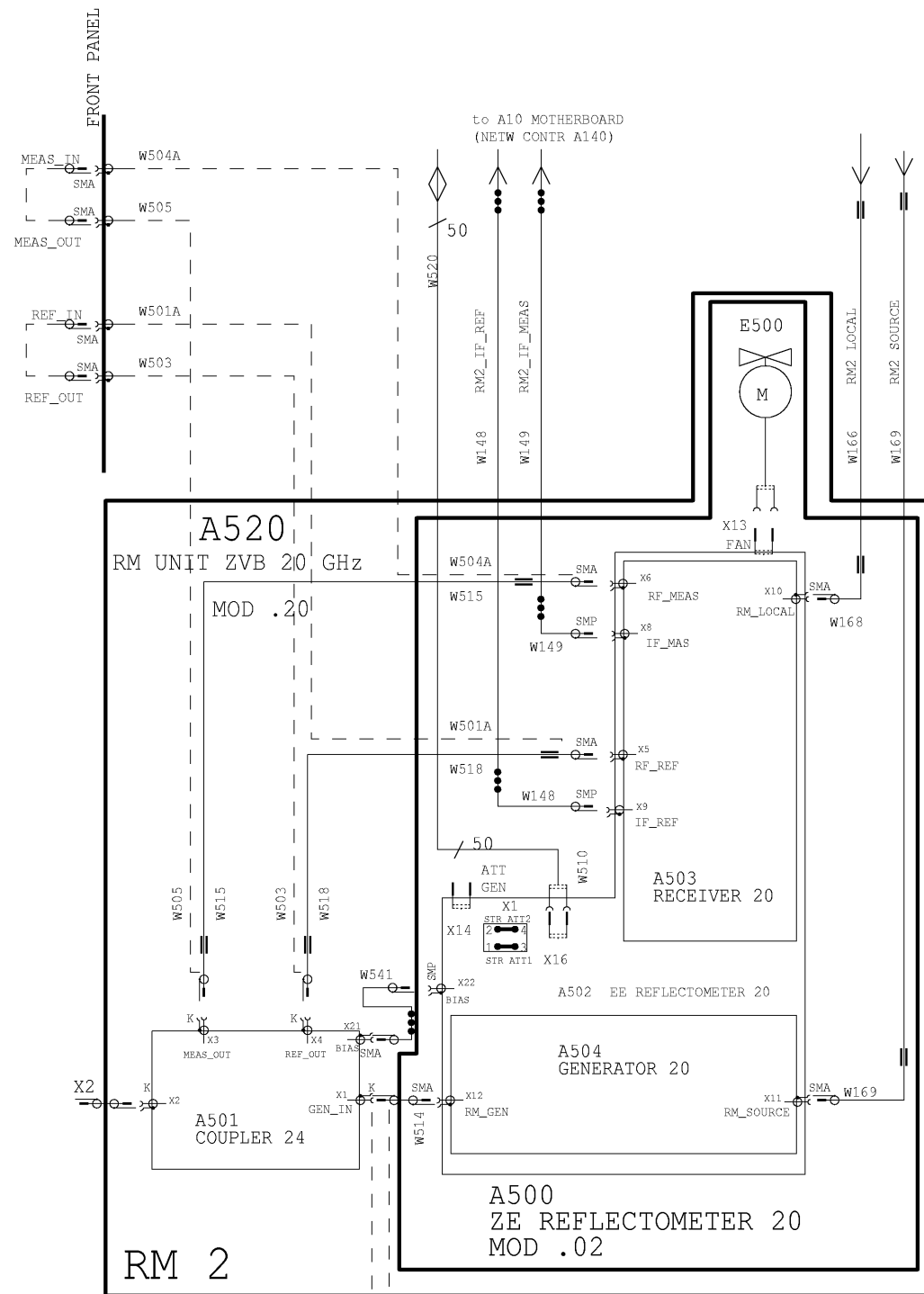


PORT 1

OPTION
ZVB14-B16
ZVB20-B16
only MOD.17/.23

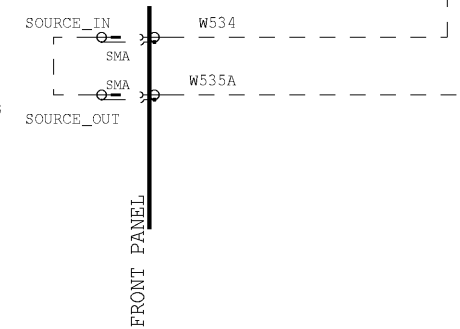


OPTION
ZVB14-B16
ZVB20-B16
only MOD.17/.23



PORT 2

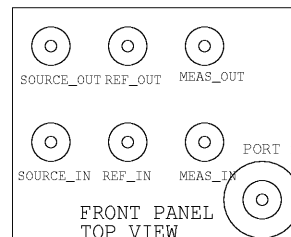
OPTION
ZVB14-B16
ZVB20-B16
only MOD.17/.23



Legende / legend

RM n = REFLECTOMETER n
 — semi rigid cable
 - - - flex koax cable

Ext Cables to A510,A520
 enthalten in / contained in
 KABELSATZ ZVB/SET OF CABLE ZVB
 1302.5044.01

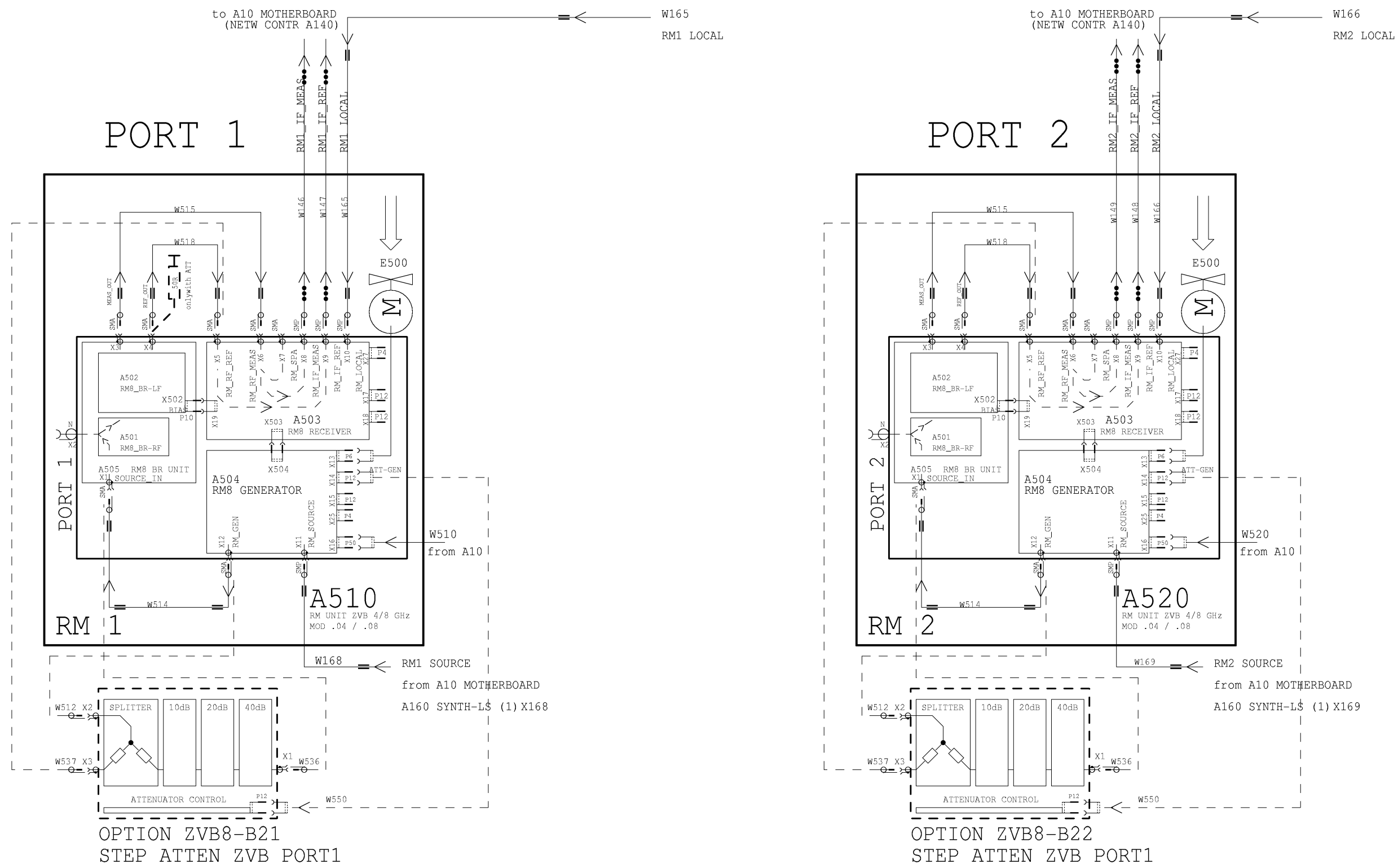


MODELS

1145.1010.14 ZVB14 2PORT
 1145.1010.17 ZVB14 2PORT big housing
 1145.1010.20 ZVB20 2PORT
 1145.1010.23 ZVB20 2PORT big housing

ROHDE&SCHWARZ	Benennung / Designat.: ZVB NETWORK ANALYZER			Spr.:/Lang.:	Ael./C.I.:	Blatt./Sh.:
				de	16.00	4 +
ZVB	Datum: 07-02-14 Date: 07-02-14			Abteilung: 1ESK Dept.:		Name: smolinsk
			Zeichn.Nr./Drawing No.: 1145.1010.01 S			

Fuer dieses Dokument behalten wir uns alle Rechte vor
 For this document all rights are reserved



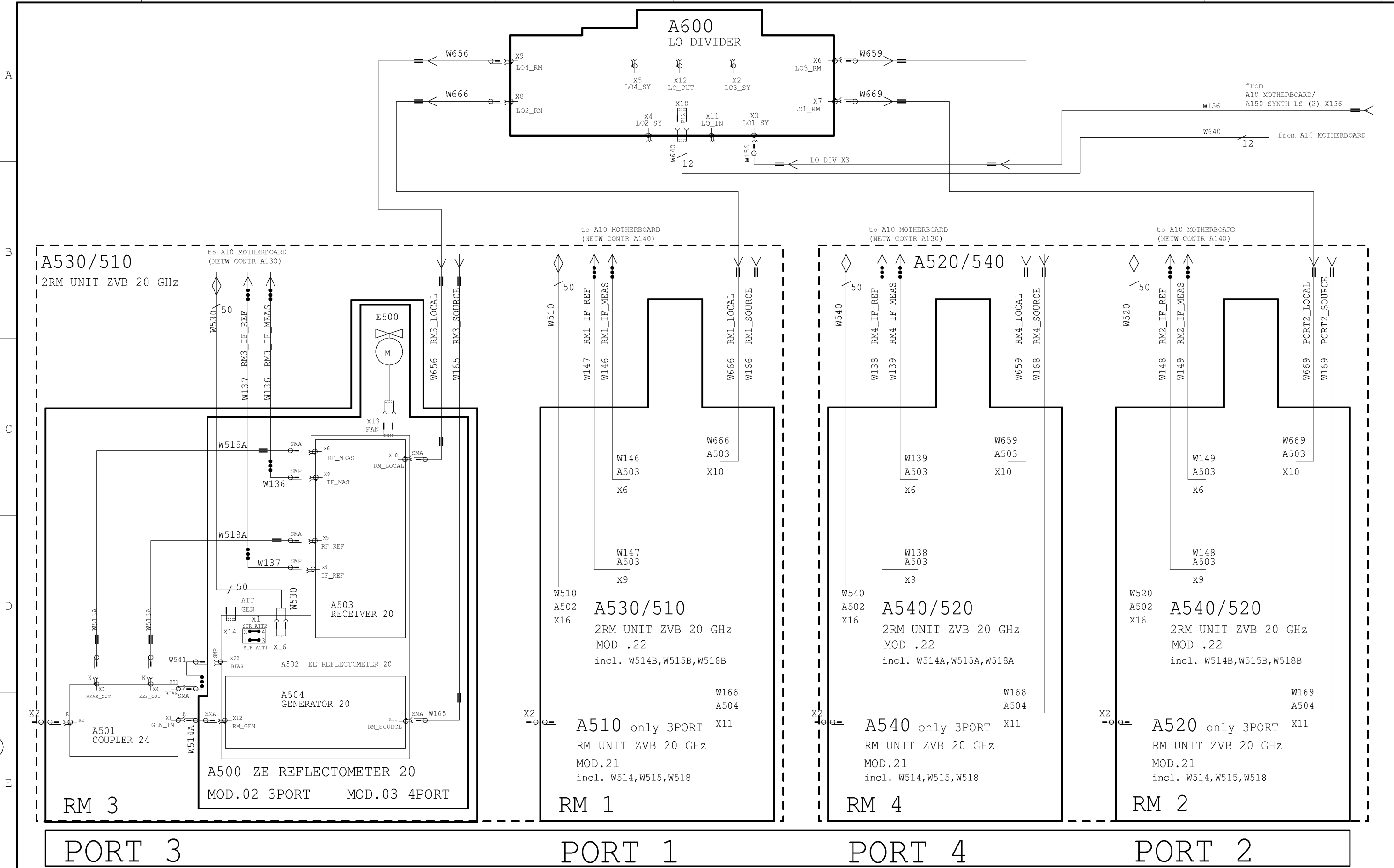
Legende / legend

- RM n = REFLECTOMETER n
- Ext Cables to A510, A520
- semi rigid cable
- flex koax cable
- enthalten in / contained in
- KABELSATZ ZVB/SET OF CABLE ZVB
- 1302.5044.01
- 1145.2545.01 with LO-DIVIDER

MODELS
 1145.1010.04 ZVB4 2PORT
 1145.1010.08 ZVB8 2PORT

ROHDE&SCHWARZ	Benennung / Designat.: ZVB NETWORK ANALYZER			Spr.:/Lang.: de	Aei:/C.I.: 16.00	Blatt:/Sh.: 5 +
	Datum: Date: 07-02-14			Abteilung: Dept.: 1ESK		Name: Name: smolinsk
Zeichn.Nr./Drawing No.: 1145.1010.01 S						

Fuer dieses Dokument behalten wir uns alle Rechte vor
For this document all rights are reserved



Legende / legend

RM n = REFLECTOMETER n Ext Cables to
 — semi rigid cable A510, A520, A530, A540
 ••• flex koax cable enthalten in / contained in
 KABELSATZ ZVB/SET OF CABLE ZVB
 1145.2545.01

Bindende Angaben ueber Varianten,
 Trimmwerte, Bauteile und
 nicht bestueckte Bauteile siehe ST.
 For binding information on models,
 trimming and components values and
 nonfitted components see parts list.

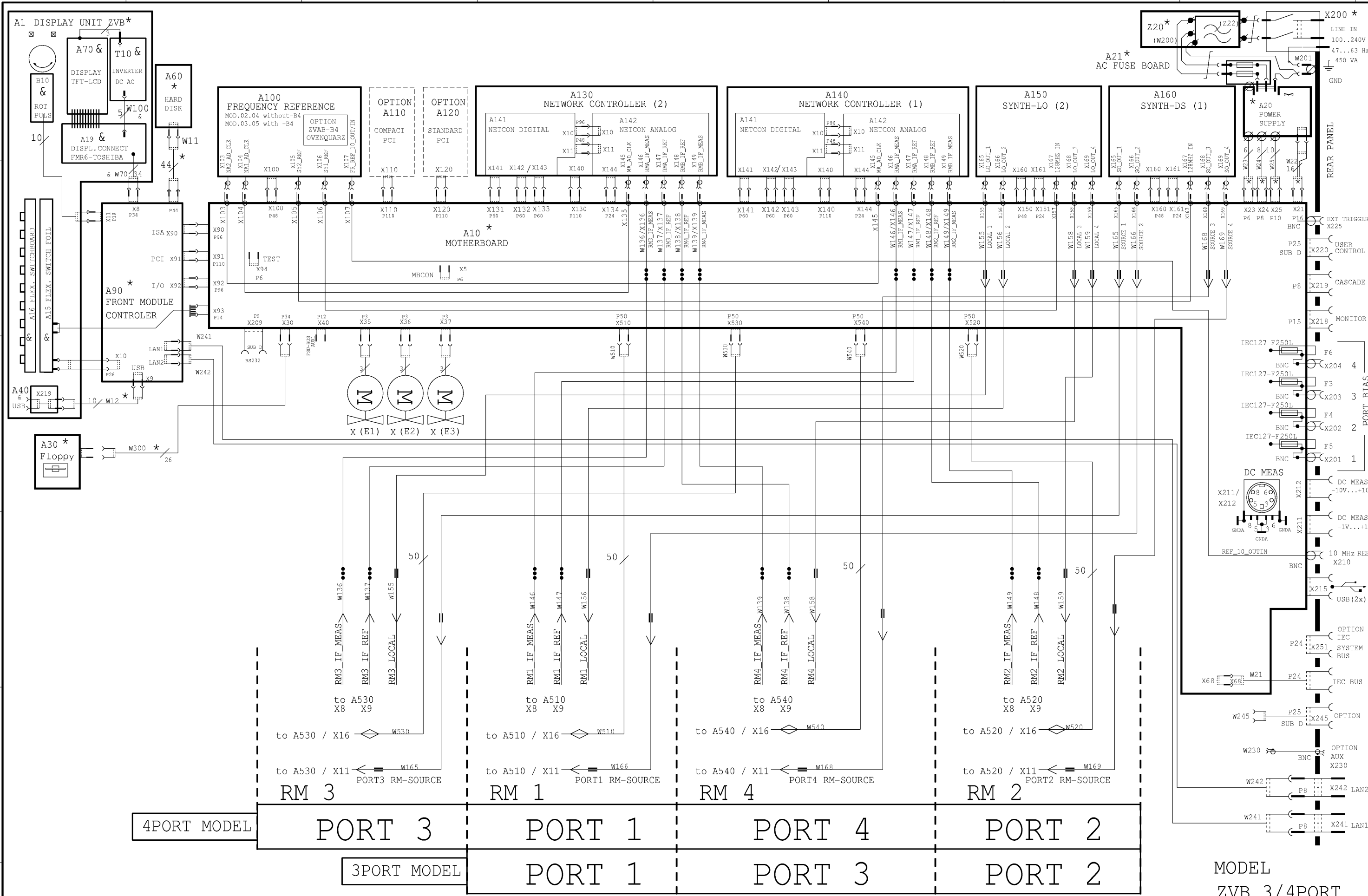


ACHTUNG: ESD!
 Elektrostatisch gefaehrdete
 Bauelemente erfordern eine
 besondere Handhabung.
ATTENTION: ESD!
 Electrostatic sensitive devices
 require a special handling.

ROHDE&SCHWARZ	Benennung / Designat.: ZVB NETWORK ANALYZER			Spr.:/Lang.: de	Aei:/C.I.: 16.00	Blatt:/Sh.: 6 +
	ZVB	Datum: Date: 07-02-14	Abteilung: Dept.: 1ESK	Name: Name: smolinsk	Zeichn.Nr./Drawing No.: 1145.1010.01 S	

MODEL
 1145.1010.22 ZVB20 4PORT
 with LO-DIVIDER

Fuer dieses Dokument behalten wir uns alle Rechte vor
For this document all rights are reserved



4PORT MODEL

PORT 3

PORT 1

PORT 4

PORT 2

3PORT MODEL

PORT 1

PORT 3

PORT 2

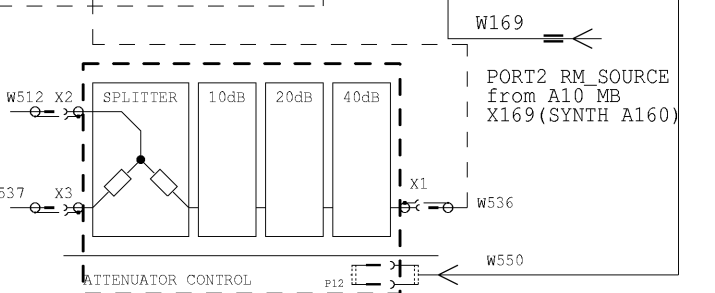
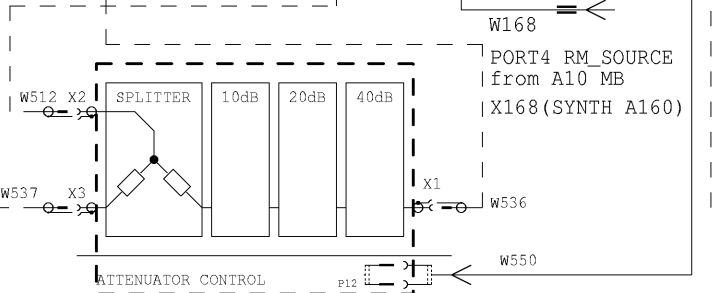
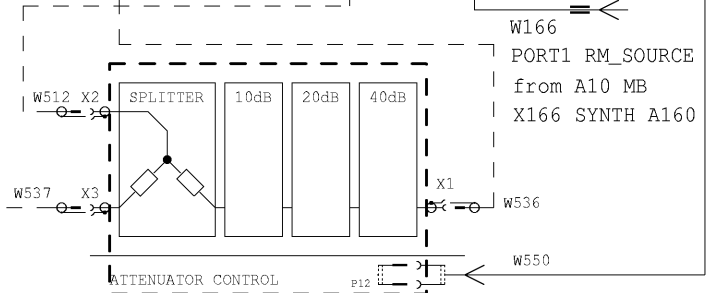
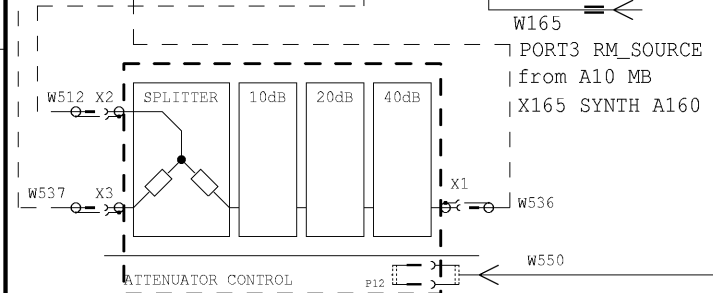
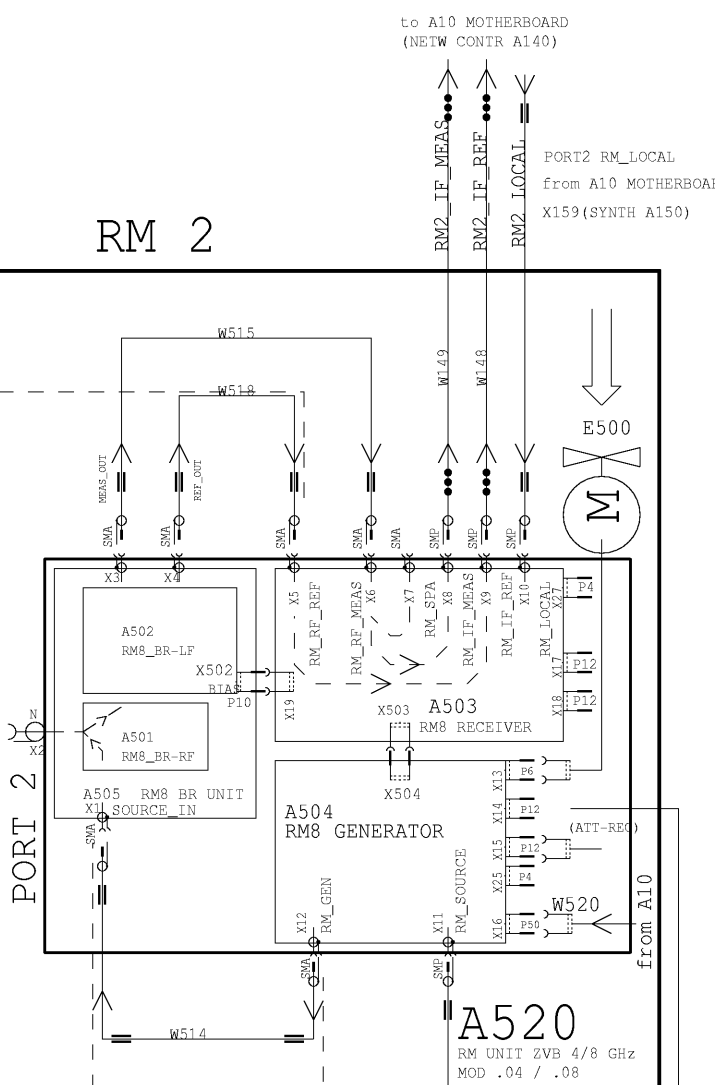
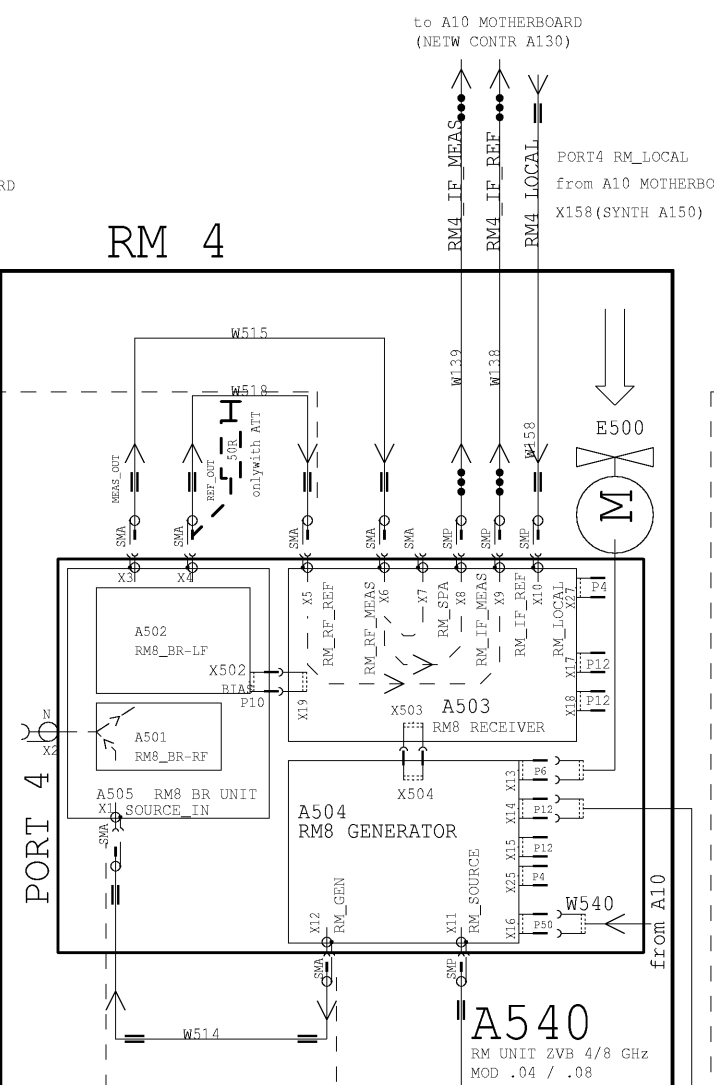
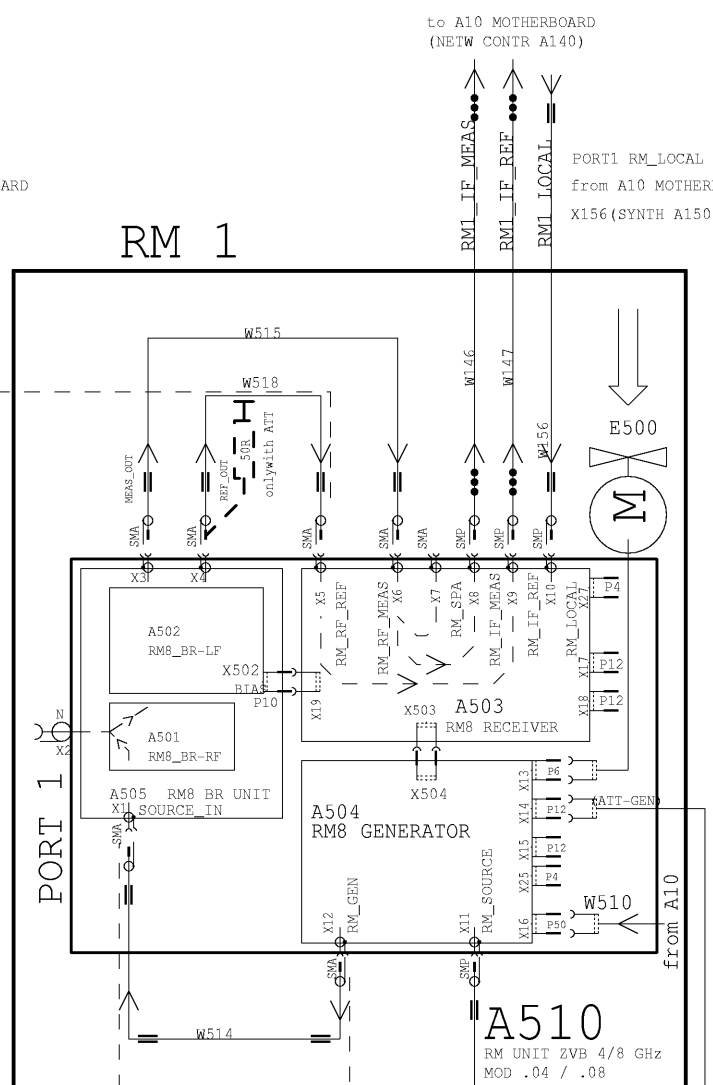
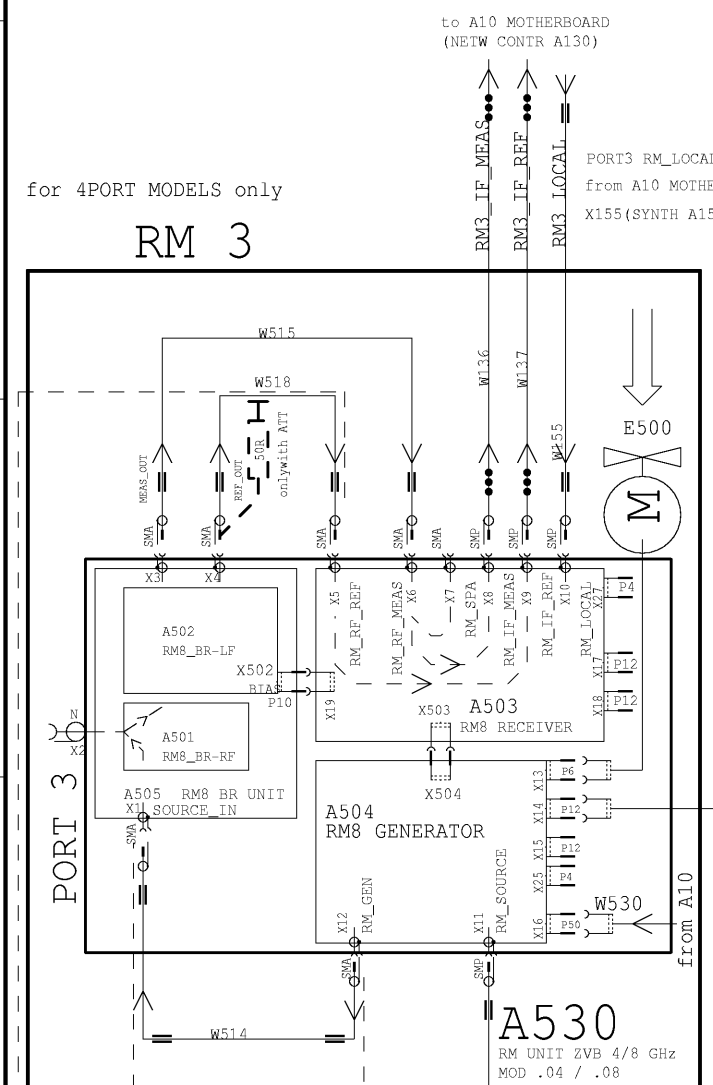
MODEL
ZVB_3/4PORT

Legende / legend

- RM n = REFLECTOMETER n
- semi rigid cable
- flex coax cable
- * enthalten in / contained in GRUNDEINHEIT ZVB / FUNDAMENTAL UNIT 1145.1290.01
- & enthalten in / contained in DISPLAYEINHEIT ZVB / DISPLAY UNIT ZVB 1145.1384.01
- X = E1, E2, E3 enthalten in / contained in GERAETERAHMEN / DEVICE FRAME 1145.1355.00

ROHDE&SCHWARZ	Benennung / Designat.: ZVB NETWORK ANALYZER			Spr.:/Lang.: de	Aei:/C.I.: 16.00	Blatt:/Sh.: 7 +	
	ZVB	Datum: Date:	07-02-14	Abteilung: Dept.:	1ESK	Name: Name:	smolinsk

Fuer dieses Dokument behalten wir uns alle Rechte vor
For this document all rights are reserved



OPTION ZVB8-B23
STEP ATTEN ZVB PORT3
(for 4PORT MODEL)

OPTION ZVB8-B21
STEP ATTEN ZVB PORT1

OPTION ZVB8-B23
STEP ATTEN ZVB PORT3
(for 3PORT MODEL)

OPTION ZVB8-B22
STEP ATTEN ZVB PORT2

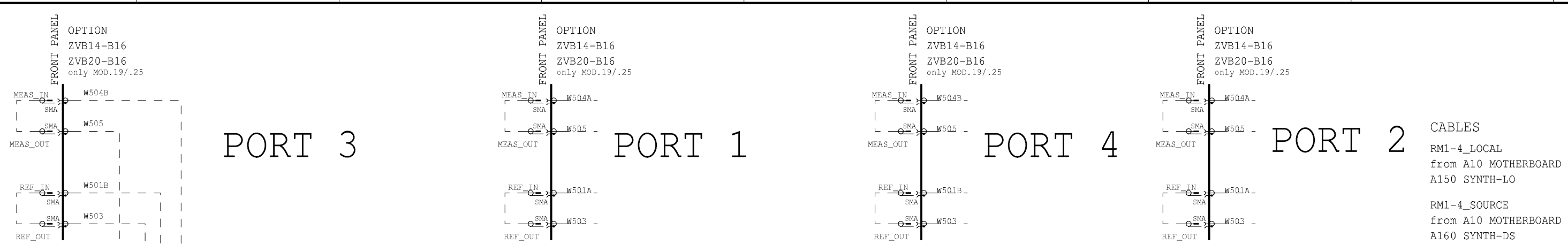
Legende / legend

- RM n = REFLECTOMETER n
- semi rigid cable
- flex koax cable
- Cables to A510, A520, A530, A540
enthalten in / contained in
KABELSATZ ZVB/SET OF CABLE ZVB
1302.5044.01

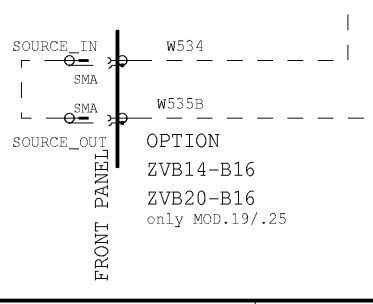
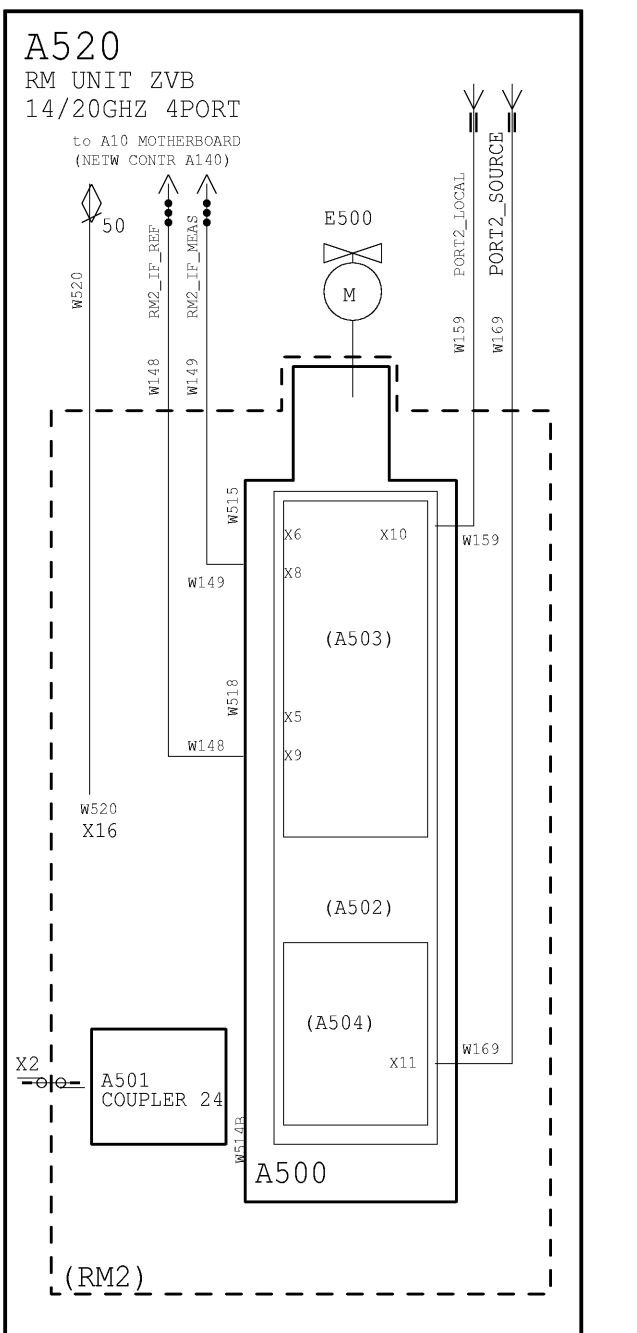
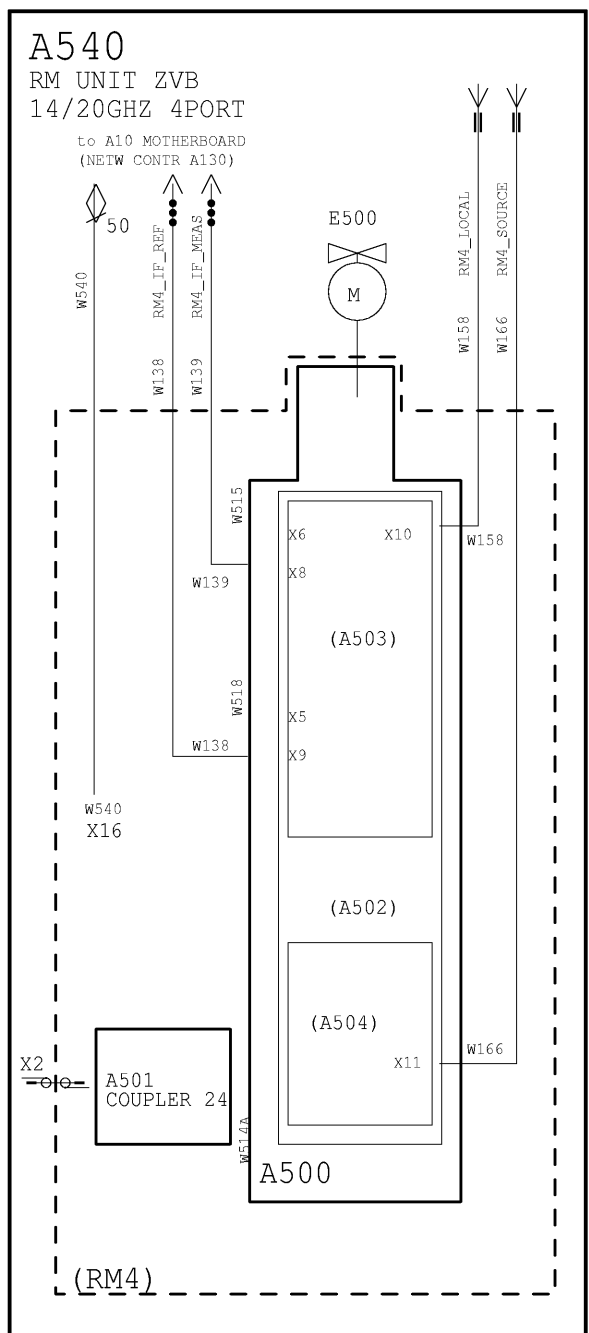
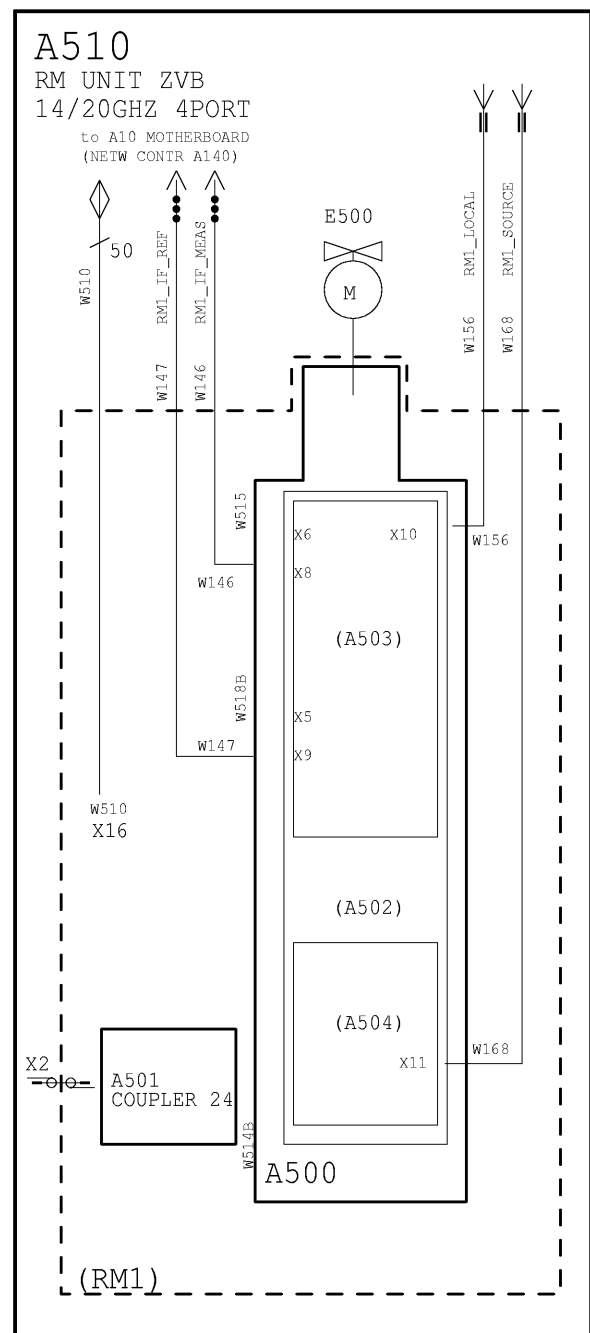
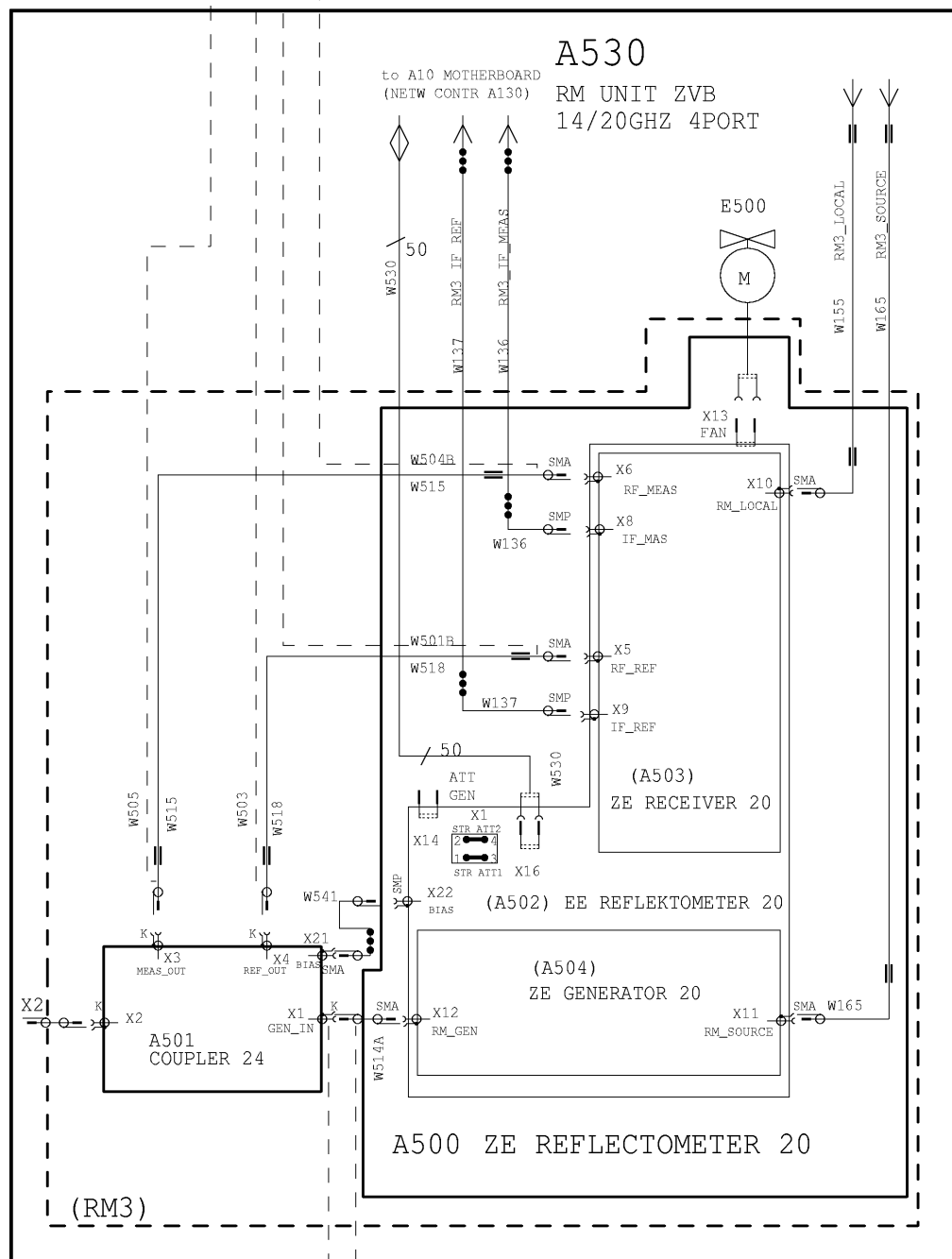
- MODELS
- 1145.1010.05 ZVB4 3PORT
 - 1145.1010.09 ZVB8 3PORT
 - 1145.1010.06 ZVB4 4PORT
 - 1145.1010.10 ZVB8 4PORT

ROHDE&SCHWARZ	Benennung / Designat.: ZVB NETWORK ANALYZER			Spr.:/Lang.: de	Aei./C.I.: 16.00	Blatt:/Sh.: 8 +		
	ZVB	Datum: Date:	07-02-14	Abteilung: Dept.:	1ESK	Name: Name:	smolinsk	Zeichn.Nr./Drawing No.:

Fuer dieses Dokument behalten wir uns alle Rechte vor
For this document all rights are reserved



- CABLES**
- RM1-4_LOCAL from A10 MOTHERBOARD
 - A150 SYNTH-LO
 - RM1-4_SOURCE from A10 MOTHERBOARD
 - A160 SYNTH-DS

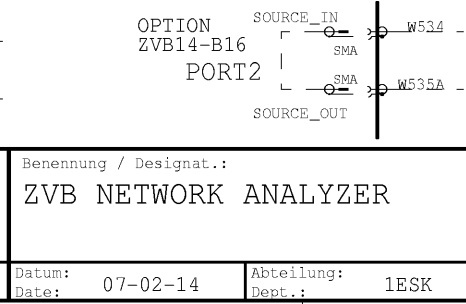
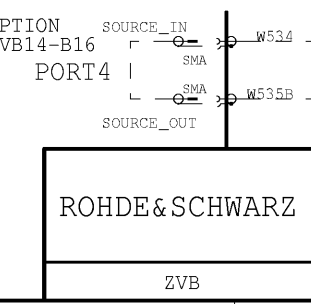
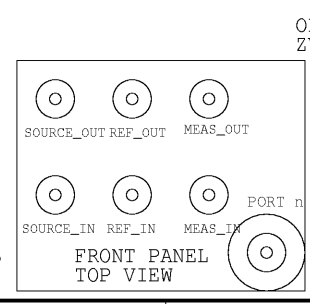


Legende / legend

RM n = REFLECTOMETER n
 — semi rigid cable
 ●●● flex koax cable

OPTION ZVB14-B16 ZVB20-B16 only MOD.19/.25

Ext Cables to A510, A520, A530, A540 enthalten in / contained in KABELSATZ ZVB/SET OF CABLE ZVB 1302.5044.01



MODELS

1145.1010.19	ZVB14 4PORT	big housing
1145.1010.22	ZVB20 4PORT	
1145.1010.25	ZVB20 4PORT	big housing

ROHDE&SCHWARZ	Benennung / Designat.: ZVB NETWORK ANALYZER			Spr.:/Lang.: de	Aei:/C.I.: 16.00	Blatt:/Sh.: 9 -
	ZVB	Datum: 07-02-14	Abteilung: 1ESK	Name: smolinsk	Zeichn.Nr./Drawing No.: 1145.1010.01 S	