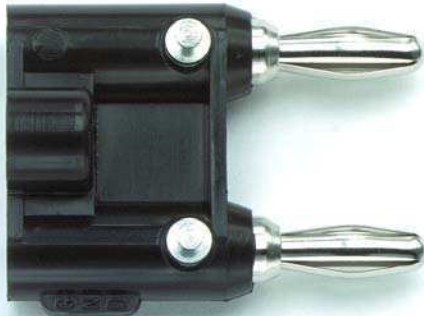
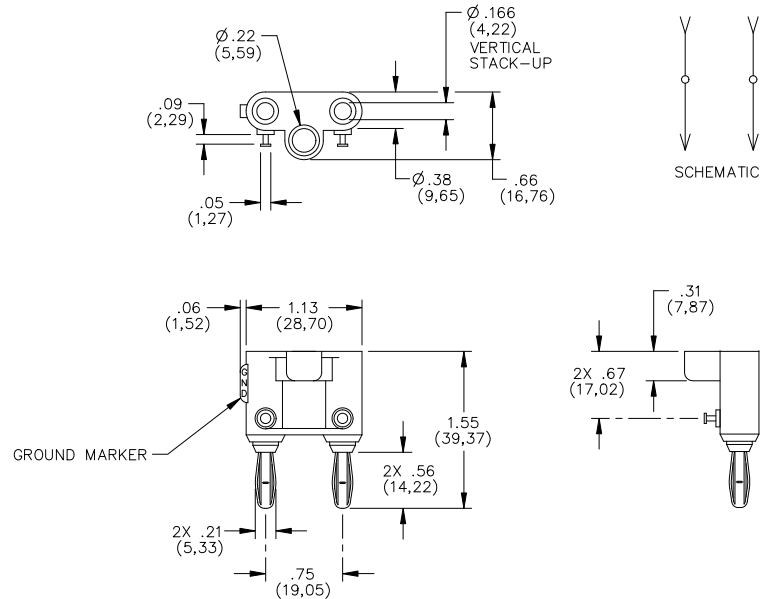


Model MDP-ST
Double Banana Plug with Solder Turret Terminals



Model MDP-ST
Double Banana Plug with Solder Turret Terminals



Features

- Simplified attachment of cables or small components by means of solder turrets.
- For test versatility, banana plugs can be vertically stacked to the banana plug.
- Banana plug spring is Beryllium Copper for long insertion life.

Materials

Banana Plug: Body – Brass, Nickel Plated
 Spring – Beryllium Copper, Nickel Plated
 Insulation: Polypropylene, Color: Black
 Marking: “MDP-ST”, “POMONA ELECTRONICS CO, INC. POMONA, CALIF.”

Ratings

Operating Temperature: +55°C. (+122°F.) Max.
 Operating Voltage: Hand-held testing: 30 VAC/60 VDC Max.
 Hands free testing in controlled voltage environments: 5000 WVDC.
 Current: 15 Amps

Ordering Information

Model: MDP-ST
 Color option is black only

USA: Sales: 800-490-2361
 Technical Support: technicalsupport@pomonatest.com
 Fax: 425-446-5844
Europe: 31-(0) 40 2675 150 **International:** 425-446-5500
Where to Buy: www.pomonaelectronics.com

All dimensions are in inches. Tolerances (except noted): .xx = ±.02” (.51 mm), .xxx = ±.005” (.127 mm). All specifications are to the latest revisions. Specifications are subject to change without notice. Registered trademarks are the property of their respective companies.