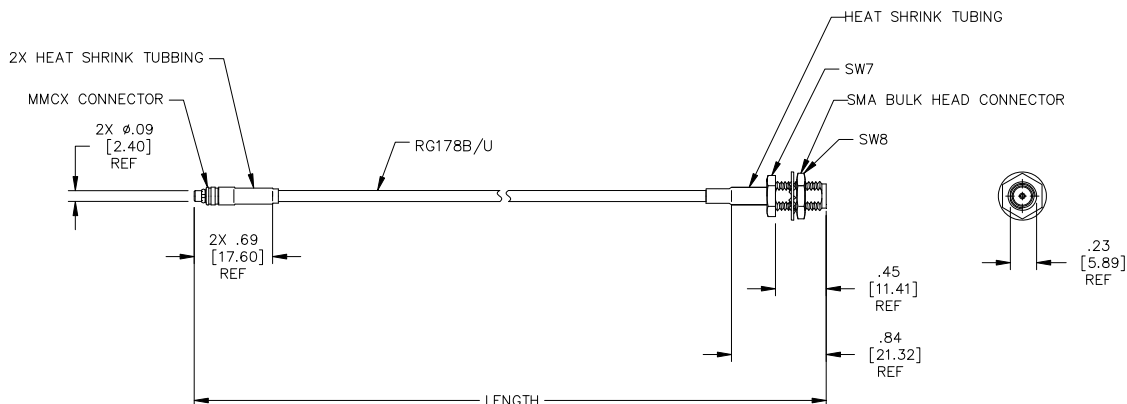


**Model 73078**  
**MMCX Plug to SMA Bulkhead Jack, RG178B/ U**



*Model 73078*  
*MMCX Plug to SMA Bulkhead Jack, RG178B/U*

Small size, and durability for  
confident connections

**Materials**

MMCX Male Connector:

- Center Contact: Phosphor Bronze, Gold Plated
- Connector Body: Brass, Gold Plated
- Crimp Ferrule: Copper, Nickel Plated
- Insulators: PTFE

SMA Female Connector:

- Center Contact: Beryllium Copper, Gold Plated
- Connector Body: Brass, Gold Plated
- Crimp Ferrule: Copper, Nickel Plated
- Insulators: PTFE

**Features**

- DC - 2GHz bandwidth.
- Connectors are precision machined and gold-plated for low loss.
- Perfect for applications where space, weight, performance and ease of connection are required.

**Specifications**

<b>Cable Type</b>	RG178B/U
<b>Impedance</b>	50Ω
<b>Frequency Range</b>	DC - 2GHz
<b>Insulation Resistance</b>	≥ 500 MΩ
<b>Insulator Withstand</b>	500V
<b>Temperature Range</b>	-55° C to +155°C (-67°F to +311°F)
<b>Jacket</b>	FEP
<b>Cable O.D.</b>	0.071" (1.8mm)
<b>Center Conductor (mm)</b>	7 x .1 silver coated copper covered steel

**Ordering Information**

Model: **73078**

Cable Designator: **UU** = RG178B/U

Standard Lengths: **12", 24", 36", 48"**

- 12" ± .157" (305mm ± 4mm)
- 24" ± .275" (610mm ± 7mm)
- 36" ± .394" (914mm ± 10mm)
- 48" ± .512" (1219mm ± 13mm)

Ordering Example: **73078-UU-24**, Cable is RG178B/U with length of 24" (610mm)

**USA:** Sales: 800-490-2361  
Technical Support: [technicalsupport@pomonatest.com](mailto:technicalsupport@pomonatest.com)  
Fax: 425-446-5844

**Europe:** 31-(0) 40 2675 150 **International:** 425-446-5500

**Where to Buy:** [www.pomonaelectronics.com](http://www.pomonaelectronics.com)

All dimensions are in inches. Tolerances (except noted): .xx = ±.02" (.51 mm), .xxx = ± .005" (.127 mm). All specifications are to the latest revisions. Specifications are subject to change without notice. Registered trademarks are the property of their respective companies.