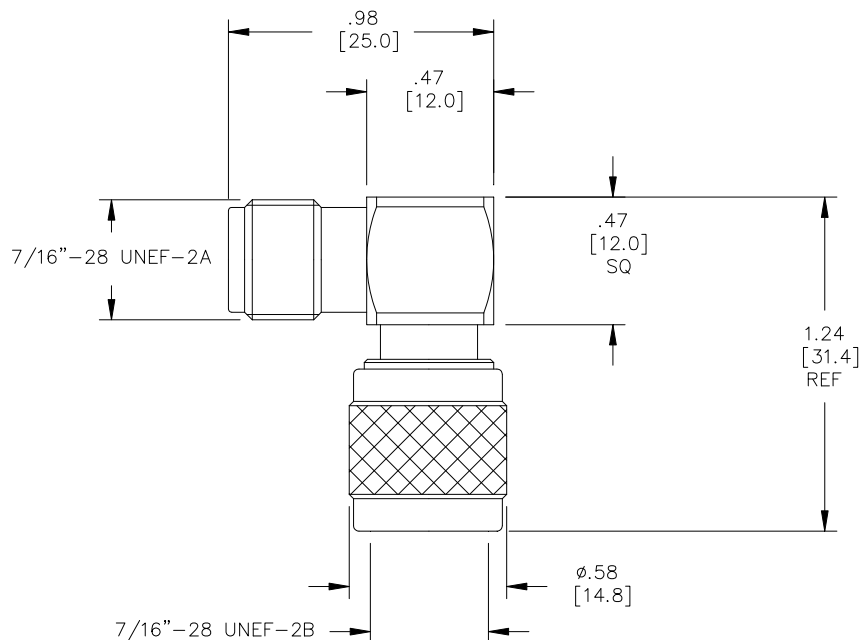


Model 73053
TNC Right-Angle Jack to Plug Adapter



Model 73053
TNC Right-Angle Jack to Plug Adapter

Features

- DC – 4GHz bandwidth.
- Connectors are precision machined.

Materials

Center Conductor:
Male: Brass, Gold Plated
Female: Phosphor Bronze, Gold Plated
 Connector Body: Brass, Nickel Plated
 Insulators: PTFE

Specifications

Impedance: 50Ω
 Frequency Range: DC – 4GHz
 Contact Resistance:
 Center Conductor: ≤1.5 mΩ
 Outer Conductor: ≤0.2 mΩ
 Insulation Resistance: ≥ 5000 MΩ
 Dielectric Withstand Voltage: 1500V
For CE compliance, do not hold in hand when voltages exceed 33 Vrms / 70 Vdc.
 Number of Insertions: 500 cycles minimum

Ordering Information

Model: **73053**

USA: Sales: 800-490-2361
 Technical Support: technicalsupport@pomonatest.com
 Fax: 425-446-5844
Europe: 31-(0) 40 2675 150 **International:** 425-446-5500
Where to Buy: www.pomonaelectronics.com

All dimensions are in inches. Tolerances (except noted): .xx = ±.02" (.51 mm), .xxx = ± .005" (.127 mm). All specifications are to the latest revisions. Specifications are subject to change without notice. Registered trademarks are the property of their respective companies.