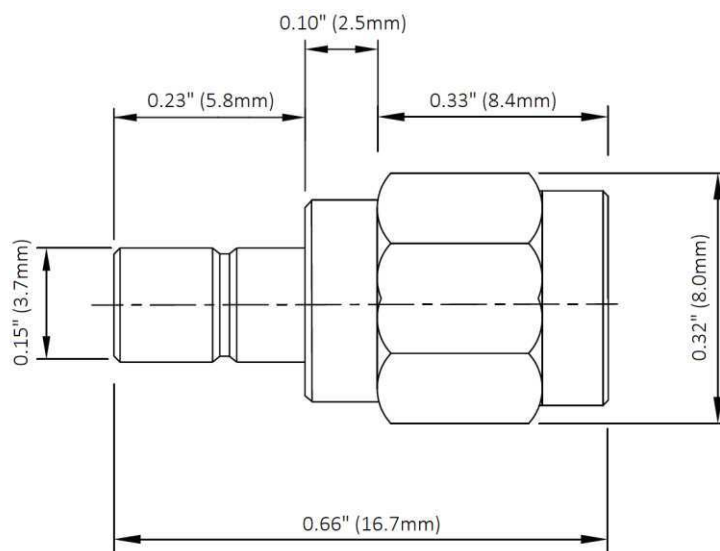


Model 72976
SMA (Male) to SMB (Male)**Features**

- DC – 4 GHz
- Small size and durability for mobile communications
- Precision machined and gold-plated for low loss

Materials

Body: Brass, Gold Plated
Center Contact: Brass, Gold Plated
Insulator: PTFE

Ratings

Impedance	50 Ω
Frequency Range	DC – 4 GHz
Working Voltage	500 Vrms max.
Dielectric Withstanding Voltage	1000 Vrms max.
VSWR	1.3 max.
Contact Resistance	6 m Ω max. (center contact); 2 m Ω max. (outer contact)
Insulation Resistance	1000 M Ω max.
Insertions	500

Ordering Information

Model: 72976

USA: Sales: 800-490-2361
Technical Support: technicalsupport@pomonatest.com
Fax: 425-446-5844
Europe: 31-(0) 40 2675 150 **International:** 425-446-5500
Where to Buy: www.pomonaelectronics.com

All dimensions are in inches. Tolerances (except noted): .xx = ± 0.02 " (.51 mm), .xxx = ± 0.005 " (.127 mm). All specifications are to the latest revisions. Specifications are subject to change without notice. Registered trademarks are the property of their respective companies.