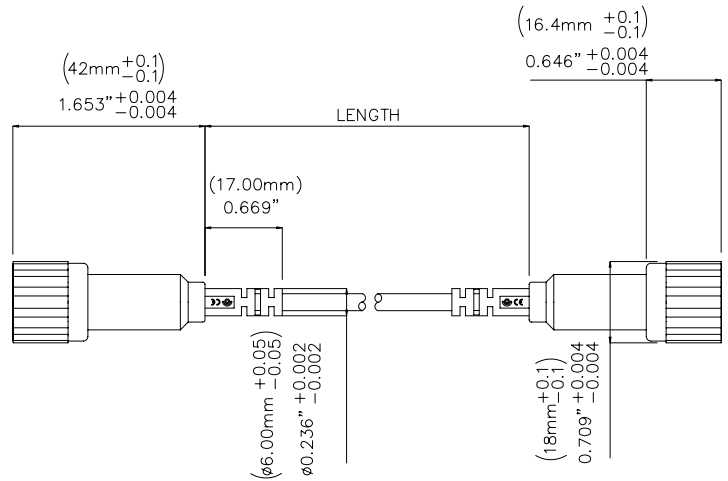


Models 72926
IEC Insulated BNC Male 50 ohm Cable



Features

- IEC Insulated BNC Male to BNC Male 50 ohm cable.

Materials

- Connector body: Nickel plated Brass
- Center Contact: Gold Plated Brass
- Dielectric: White PTFE

Ordering Information

Model: 72926-C-Length
Available Lengths: 40 inches (-40) or 80 inches (-80)

Specifications

| | |
|-------------|------------------------------|
| Max Current | 3 A Max |
| Max Voltage | 500 V CAT I 150 V CAT III |
| Cable | 50 Ω |

USA: Sales: 800-490-2361 Technical Support: 800-241-2060 Fax: 888-403-3360

Europe: 31-(0) 40 2675 150 International: 425-446-5500
e-mail: technicalsupport@pomonatest.com

Where to Buy: www.pomonaelectronics.com

All dimensions are in inches. Tolerances (except noted): .xx = ±.02" (.51 mm), .xxx = ±.005" (.127 mm). All specifications are to the latest revisions. Specifications are subject to change without notice. Registered trademarks are the property of their respective companies.