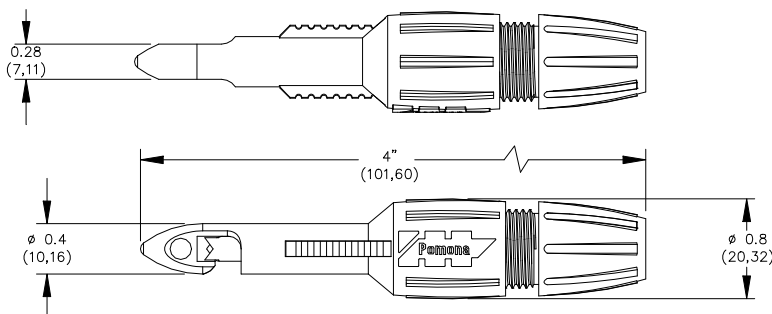


**Models 6405 and 6413  
Insulation Piercing Clips**



**Features**

- Make contact with insulated wires without cutting or stripping insulation.
- Spring loaded double “V” clamp holds wire centered for piercing needle.
- Pierces insulation on wires from 22 to 14 AWG (0.030” through 0.180” diameter).
- Tiny hole left in insulation can easily be sealed.
- High visibility bright yellow body.
- 6405 mates with standard .16” (4mm) banana plug test leads, with or without safety shroud (e.g. 5907A or “B” series patch cords).
- 6413 mates with standard .080” (2mm) standard pin tip test probe (e.g. 5519A).
- Red or black color-coded cap for easy identification.
- Rotating banana jack will not twist test lead while the needle is screwed into wire.

**Materials**

Piercing Tip:	hardened stainless steel
Spring:	steel
Jack:	brass
Insulation (jack, body, tip):	nylon red or black caps with high visibility yellow nylon

**Ratings**

Operating Voltage:	33 Vrms or 70 Vdc Max.
Current:	1 Amperes Max.

**Ordering Information**

Models:

**6405**, for banana plug connections, set includes two clips, one red and one black

**6413**, for pin tip connections, set includes two clips, one red and one black

**USA:** Sales: 800-490-2361  
 Technical Support: [technicalsupport@pomonatest.com](mailto:technicalsupport@pomonatest.com)  
 Fax: 425-446-5844  
**Europe:** 31-(0) 40 2675 150 **International:** 425-446-5500  
 Where to Buy: [www.pomonaelectronics.com](http://www.pomonaelectronics.com)

All dimensions are in inches. Tolerances (except noted): .xx = ±.02” (.51 mm), .xxx = ±.005” (.127 mm). All specifications are to the latest revisions. Specifications are subject to change without notice. Registered trademarks are the property of their respective companies.