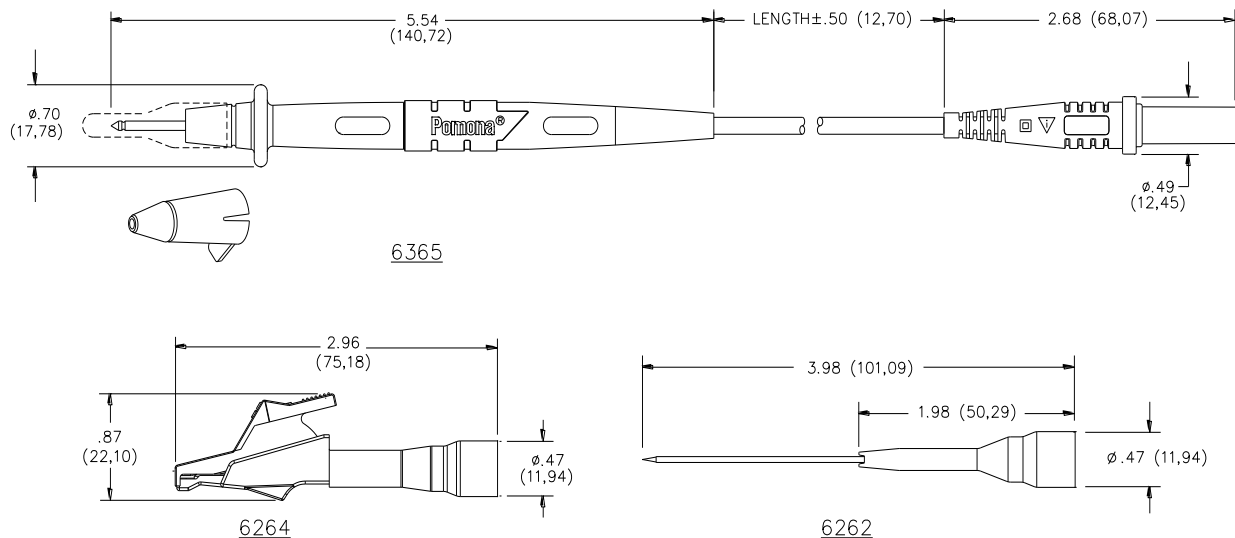


## Model 6344 Basic Electronic Test Lead Kit



### FEATURES:

- Test accessories comply with IEC 61010-031 requirements
- Extended slide on tip adapter fits directly over probe, allowing testing of hard to reach test points
- Wear indication with double insulated (dual extruded) silicone leads shows white inner layer for increased safety
- Compatible with most Fluke, Amprobe, H.P., Tektronic & Wavetek digital multimeters

### MATERIALS:

Model **6365**: Probe Body: Outer Insulation – Santoprene® Rubber, Color: Gray, Inner Insulation – Polypropylene Fire Retardant, Color: One Black, One Red, Tip: Brass, Wire: 18 AWG, 192 x 41 bare copper, Silicone Insulation, O.D. 0.144" (3,66mm), Length: 48" (122cm)

Banana Plug: Body – Brass, Nickel Plated, Spring – Beryllium Copper, Nickel Plated, Insulation – Polypropylene, Color: One Black, One Red, **RATINGS:** IEC 61010-031, CAT III, 1000 V (with protective cap), CAT II 1000 V (without protective cap). Current: 10 Amperes



Model **6264**: Body – Steel, Nickel Plated, Insulation – Polypropylene fire retardant, Spring: Music Wire, **RATINGS:** IEC 61010-031, Category III, Operating Voltage: 300 V, Current: 3 Amperes.

Model **6262**: Tip: Stainless Steel, Tip Insulation: Kynar, Body: Polypropylene fire retardant, **RATINGS:** IEC 61010-031, Category II, Operating Voltage: 300 V, Current: 3 Amperes.

### ORDERING INFORMATION: 6344 (Includes a kit of items from above)

Replacement P/N's:

- Model **6264**: Probe Adapter Alligator Tip
- Model **6262**: Probe Adapter Extended Fine Tip
- Model **6365**: Probe to Straight DMM Plug

**USA:** Sales: 800-490-2361  
Technical Support: [technicalsupport@pomonatest.com](mailto:technicalsupport@pomonatest.com)  
Fax: 425-446-5844

**Europe:** 31-(0) 40 2675 150 **International:** 425-446-5500  
**Where to Buy:** [www.pomonaelectronics.com](http://www.pomonaelectronics.com)

All dimensions are in inches. Tolerances (except noted): .xx = ±.02" (.51 mm), .xxx = ±.005" (.127 mm). All specifications are to the latest revisions. Specifications are subject to change without notice. Registered trademarks are the property of their respective companies.