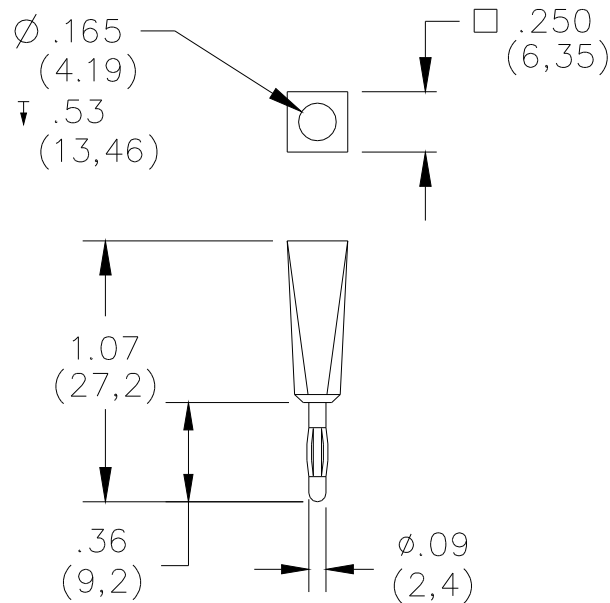


Model 5936
Do-It Yourself Solder Type 2mm Banana Plug**FEATURES:**

- Threaded two-piece design allows wires to be soldered to the banana plug.
- Beryllium Copper spring offers long insertion life.
- Compatible with 18 to 22 AWG wire.

MATERIAL:

Banana Plug:

Body - Brass, Nickel Plated*Spring* - Beryllium Copper, Nickel Plated

Insulator: Nylon

RATINGS:

Operating Voltage: 500 VRMS

Current: 5 Amperes

ORDERING INFORMATION: Model 5936-*

* = Color, Standard Colors: -0 Black, -2 Red

USA: Sales: 800-490-2361 Technical Support: 800-241-2060 Fax: 888-403-3360

Europe: 31-(0) 40 2675 150 International: 425-446-5500

e-mail: technicalsupport@pomonatest.comWhere to Buy: www.pomonaelectronics.com

All dimensions are in inches. Tolerances (except noted): .xx = $\pm .02$ " (.51 mm), .xxx = $\pm .005$ " (.127 mm). All specifications are to the latest revisions. Specifications are subject to change without notice. Registered trademarks are the property of their respective companies.

Copyright 2004 9/2004 2398562 D-ENG-N Rev A Page 1 of 1