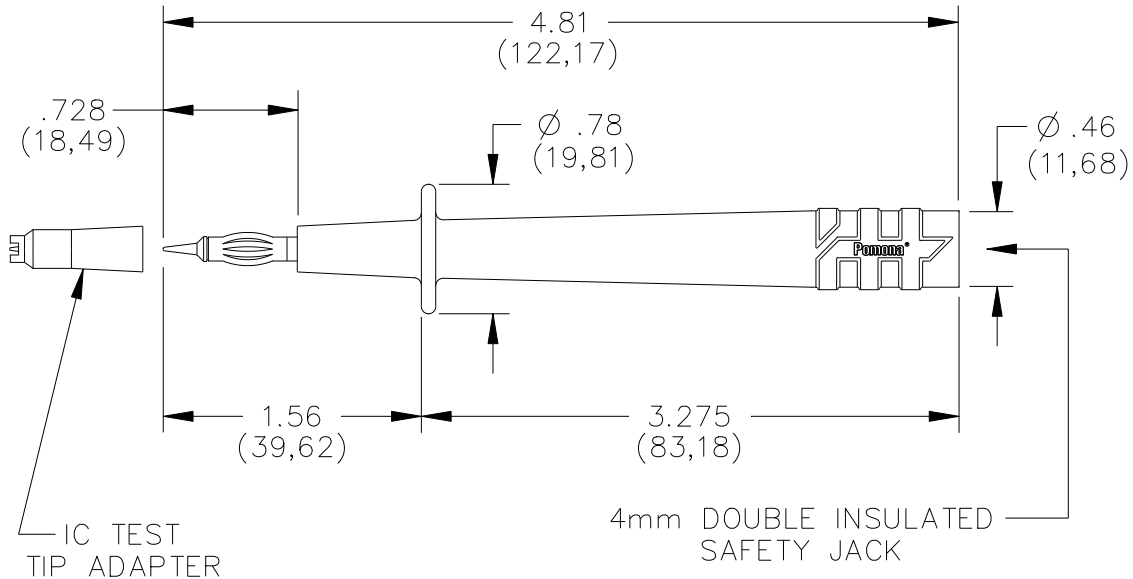


**Model 5906A**  
**Modular Test Probe Handle with Banana Plug Tip**



**FEATURES**

- Model 5906A has been redesigned to meet IEC 61010-031, which is the latest international safety standard for test accessories.
- Probe safety jack mates to Pomona's 5907A, 5908A and 5909A Flexible Test Leads for digital multimeter interfacing.
- Probe tip cap offers easy DIP lead testing and prevents accidental probe shorting.
- 4 mm banana plug probe tip mates into banana jacks for added test flexibility.

**MATERIAL**

Probe Body: Polypropylene UL94 HB  
 Plug Tip: Body – Brass, Nickel Plated  
 4mm Safety Jack: Brass, Nickel Plated

**RATINGS**

Operating Voltage: IEC 61010-031, CAT III 1000 V (with protective cap), CAT II 1000 V (without protective cap).  
 Current: 10 Amperes Max.

**ORDERING INFORMATION**

Model 5906A (Includes a set of one black and one red probe)  
 Probe set is also included in many Pomona DMM Test Kits.



**USA:** Sales: 800-490-2361  
 Technical Support: [technicalsupport@pomonatest.com](mailto:technicalsupport@pomonatest.com)  
 Fax: 425-446-5844  
**Europe:** 31-(0) 40 2675 150 **International:** 425-446-5500  
**Where to Buy:** [www.pomonaelectronics.com](http://www.pomonaelectronics.com)

All dimensions are in inches. Tolerances (except noted): .xx = ±.02" (.51 mm), .xxx = ±.005" (.127 mm). All specifications are to the latest revisions. Specifications are subject to change without notice. Registered trademarks are the property of their respective companies.