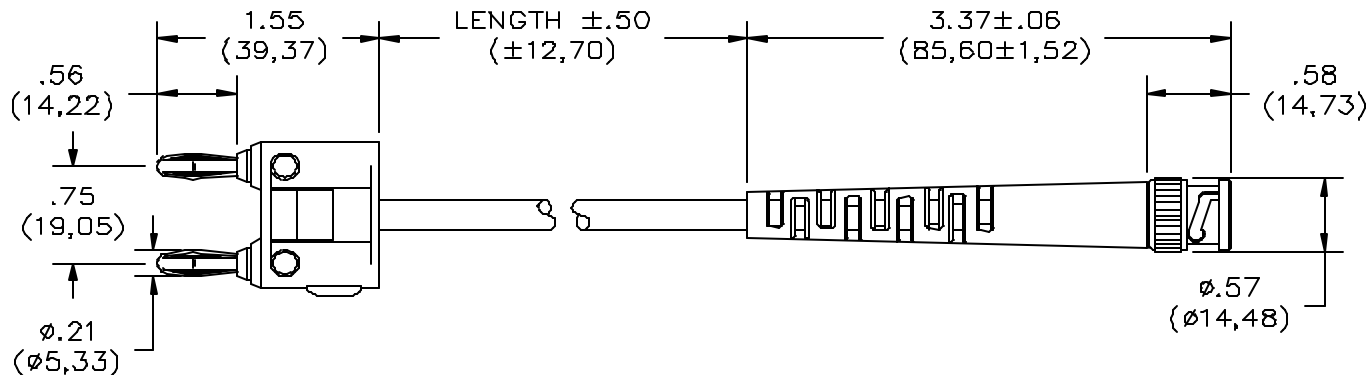


## Model 4530 BNC (Male) With Molded Strain Relief To Stacking Double Banana Plug



### FEATURES:

- Cable allows interconnection between Banana Plug and BNC based test instruments.
- BNC Connector and Double Banana Plug are molded directly to the cable for superior cable strength.
- Double Banana Plug features nickel plated Beryllium Copper springs for tarnish resistance and long insertion Life
- Double Banana Plugs have vertical and horizontal stacking capabilities.

### MATERIALS:

BNC: Body: Brass, Nickel Plated, Center Pin: Brass, Gold Plated, Impedance: 50 Ohms

Strain Relief and Molded Breakout: PVC, Color: Black

Cable: RG58C/U, Capacitance: 30.8 pF/Ft., O.D.: .195" (5,00mm) Nom.

Marking "POMONA ELECTRONICS 4530-C-XX"

Double Banana Plug: Body – Brass, Nickel Plated

Spring – Beryllium Copper, Nickel Plated

Insulation: Polypropylene, Color: Black

### RATING:

Voltage: Hand-held testing: 30VAC/60VDC Max.

Hands free testing in controlled voltage environments: 500VRMS Max.

Operating Temperature: 50°C (+122°F) Max.

### ORDERING INFORMATION: Model 4530-C-XX

XX = Cable Type, Std. Lengths: 18" (45.72cm), 24" (60.96 cm), 36" (91.44 cm), 48" (121.92 cm)

& 60" (152.40 cm) Ordering Example: 4530-C-36, Cable length will be 36" long.

Additional lengths are available upon request.

All dimensions are in inches. Tolerances (except noted): .xx = ±.02" (.51 mm), .xxx = ± .005" (.127 mm).

All specifications are to the latest revisions. Specifications are subject to change without notice.

Registered trademarks are the property of their respective companies. Made in USA