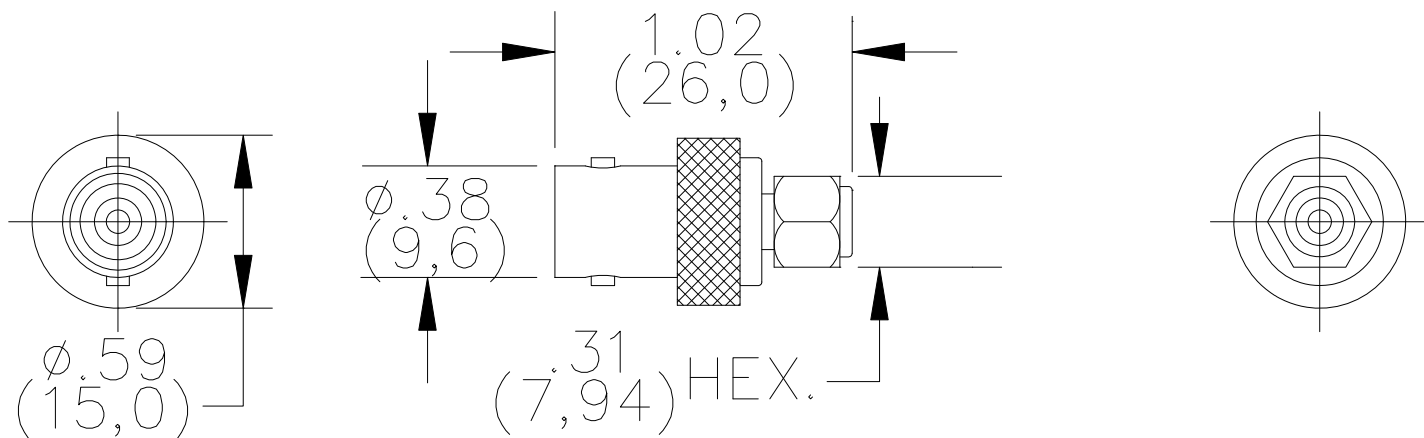


**Model 4290**  
**Adapter, SMA Male to BNC Female**



**Materials**

Body: Beryllium Copper  
 Contacts: Male – Brass  
               Female – Beryllium Copper  
 Finish: SMA Body – Gold Plated per MIL-G-45204, Type II, Class 2  
               BNC Body – Nickel Plated per QQ-N-290  
               Contacts – Gold Plated per MIL-G-45204, Type II, Class 2  
 Dielectric: PTFE per L-P-403



**Specifications**

Voltage: For *CE Compliance* and for personal safety, do not hold in hand when voltages exceed 33 Vrms/70 Vdc.  
 Maximum voltage for *hands free use*: 335 Vrms Max.  
 Operating Temperature: -65°C (-85°F) to +165°C (+329°F)  
 Nominal Impedance: 50 Ohms  
 Frequency Range: 0 – 12.4 GHz.

**Ordering Information**

Model: 4290

**USA:** Sales: 800-490-2361  
 Technical Support: [technicalsupport@pomonatest.com](mailto:technicalsupport@pomonatest.com)  
 Fax: 425-446-5844  
**Europe:** 31-(0) 40 2675 150 **International:** 425-446-5500  
**Where to Buy:** [www.pomonaelectronics.com](http://www.pomonaelectronics.com)

All dimensions are in inches. Tolerances (except noted): .xx = ±.02" (.51 mm),  
 .xxx = ±.005" (.127 mm). All specifications are to the latest revisions.  
 Specifications are subject to change without notice. Registered trademarks are  
 the property of their respective companies.