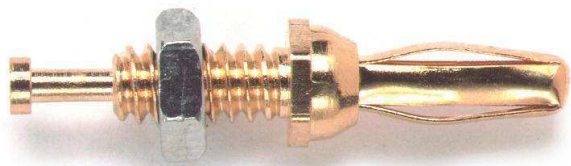


**Model 3276 & 4513**  
**Miniature Banana Plug with Threaded Stud**



Model	"X" Dimension
<b>3276</b>	<b>.23" (5,8mm)</b>
<b>4513</b>	<b>.48" (12,2mm)</b>

Minimum Panel Thickness is 0.030" (0.76mm)

**Features**

- Threaded stud enables fast and easy mounting to panels.
- Solder turret allows wire attachment.
- Miniature banana plug features gold plated Beryllium Copper for long insertion life and low contact resistance.

**Materials**

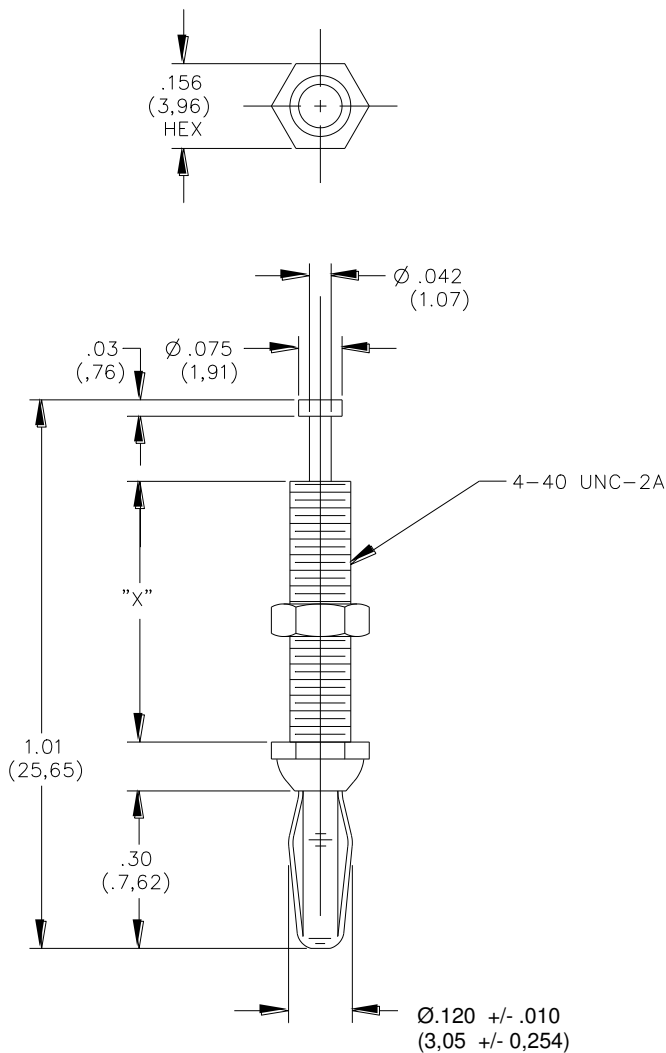
Miniature Banana Plug:  
 Spring: Beryllium Copper, Gold Plated  
 Body: Brass, Gold Plated  
 Hex Nut: 4-40 Nut, Stainless Steel

**Ratings**

Operating Voltage: 2500 VDC  
 Current: 5 Amperes Max.

**Ordering Information**

Model 3276  
 Model 4513  
 Parts are packaged ten per bag, unassembled.



USA: Sales: 800-490-2361  
 Technical Support: [technicalsupport@pomonatest.com](mailto:technicalsupport@pomonatest.com)  
 Fax: 425-446-5844

Europe: 31-(0) 40 2675 150 International: 425-446-5500  
 Where to Buy: [www.pomonaelectronics.com](http://www.pomonaelectronics.com)

All dimensions are in inches. Tolerances (except noted):  $.xx = \pm .02"$  (.51 mm),  $.xxx = \pm .005"$  (.127 mm). All specifications are to the latest revisions. Specifications are subject to change without notice. Registered trademarks are the property of their respective companies.