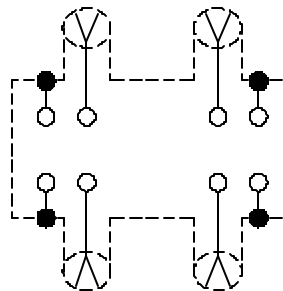
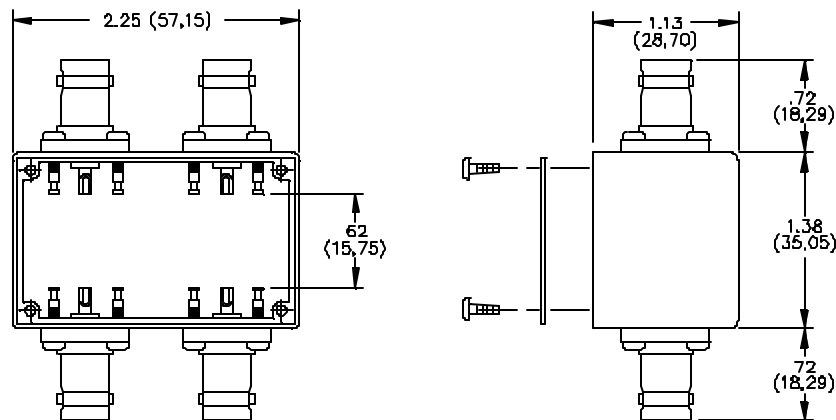


Model 3234 Size B Aluminum Box With Cover BNC Female Quad



SCHEMATIC

MATERIALS:

Connector: BNC (F)

Body: Tarnish Resistant Plating, Gold Plated Beryllium Copper,

Solder Turret Terminal Screws: Steel

Shielded Housing: Die cast aluminum Alloy A380 or A384.

Finish: Blue paint per Federal Standard 595 #25109 over Phosphoric Etch

Cover: .040 thick aluminum 1100-H14

Finish: Clear anodized

Screws: 4 each #2-32 x 6.35 (1/4") Pan Head self-tapping. Steel.

RATINGS:

Connector:

Operating Voltage: Inner Conductor/Shield: 500 VRMS Max.

Operating Temperature: -55°C to +150°C

Nominal Impedance: 50 Ohms

ORDERING INFORMATION: Model 3234

All dimensions are in inches. Tolerances (except noted): .xx = ±.02" (.51 mm), .xxx = ±.005" (.127 mm).

All specifications are to the latest revisions. Specifications are subject to change without notice.

Registered trademarks are the property of their respective companies. Made in USA