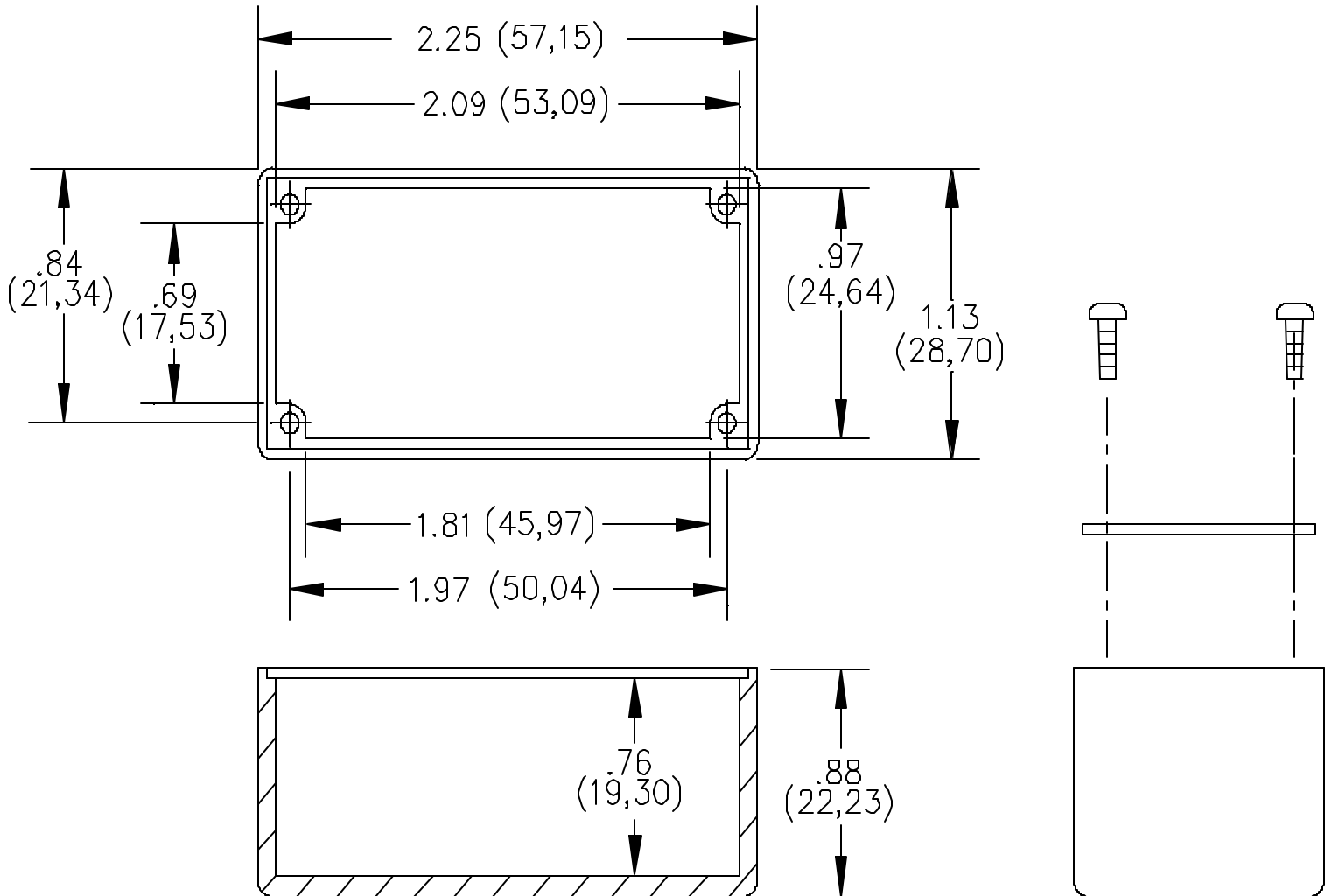


Pomona®

Model 2400 Size A Aluminum Box With Cover



MATERIALS:

Screws: 4 ea. #2-32 X 1/4" Pan Head self tapping, Steel.

Cover: .040 Thick aluminum 1100-H14, Clear anodized. Finish: Clear

Shielded Housing: Die cast aluminum alloy A380 or A384. Finish: None

ORDERING INFORMATION: Model 2400

All dimensions are in inches. Tolerances (except noted): .xx = ±.02" (.51 mm), .xxx = ± .005" (.127 mm).

All specifications are to the latest revisions. Specifications are subject to change without notice.

Registered trademarks are the property of their respective companies. Made in USA

