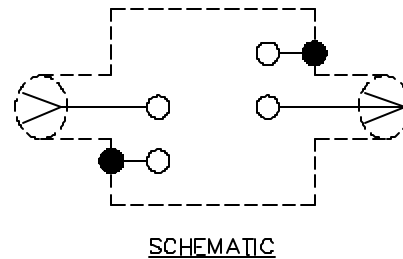
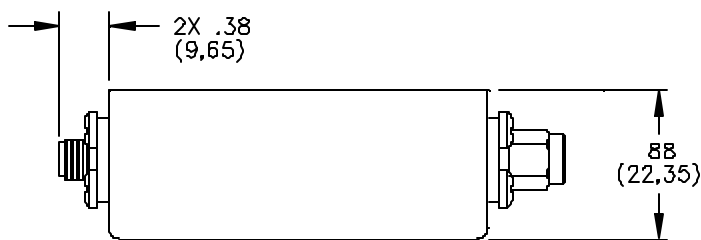
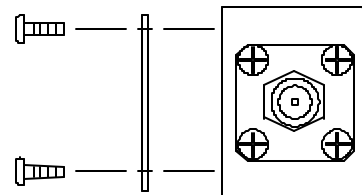
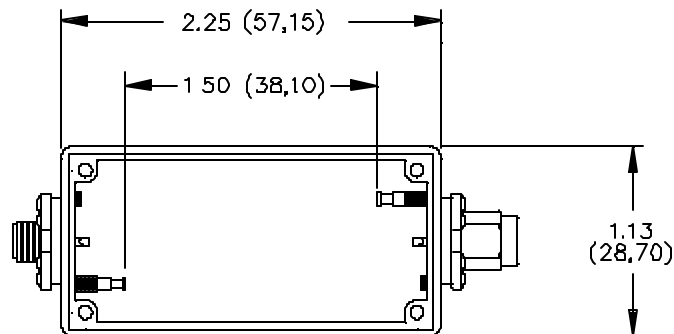


Pomona®

Model 2398
Size A Aluminum Box With Cover
SMA Male/SMA Female



MATERIALS:

Connector: SMA Receptacle

Body: Tarnish Resistant Plating, Center Contact: Male - Gold Plated Brass, Female - Gold Plated Beryllium Copper

Solder Turret Terminal Screws: Steel, 2 ea. #4-40 Fillister Head

Shielded Housing: Die cast aluminum alloy A380 or A384

Finish: Blue paint per Federal Standard 595 #25109 over Phosphoric Etch per MIL-C-15328A

Cover: .040 Thick aluminum #1100-H14

Finish: Clear Anodized

Screws: Steel 4 ea. #2-32 x 1/4" Pan Head, self-tapping.

RATINGS:

Operating Voltage: Inner conductor/Shield: 335 VRMS Max.

Operating Temperature: -55°C to +150°C

Nominal Impedance: 50 Ohms

ORDERING INFORMATION: Model 2398

All dimensions are in inches. Tolerances (except noted): .xx = ±.02" (.51 mm), .xxx = ±.005" (.127 mm).

All specifications are to the latest revisions. Specifications are subject to change without notice.

Registered trademarks are the property of their respective companies. Made in USA

