

Function generator 0.1Hz-2MHz

PM 5131

9445 051 31001

Instruction manual – Gerätehandbuch – Mode d'emploi et d'entretien

9499 453 00102

88 04 01/6



I&E

Industrial & Electro-acoustic Systems Division



**Industrial &
Electro-acoustic Systems**

PHILIPS

Function generator 0.1 Hz - 2 MHz

PM 5131

9445 051 31001

Instruction manual

Gerätehandbuch

Mode d'emploi et d'entretien

9499 453 00102

88 04 01 / 6



PHILIPS

Please note

In correspondence concerning this instrument, please quote the type number and serial number as given on the type plate.

Bitte beachten

Bei Schriftwechsel über dieses Gerät wird gebeten, die Typennummer und die Gerätenummer anzugeben. Diese befinden sich auf dem Typenschild an der Rückseite des Gerätes.

Noter s. v. p.

Dans votre correspondance et dans vos réclamations se rapportant à cet appareil, veuillez toujours indiquer le numéro de type et le numéro de série qui sont marqués sur la plaquette de caractéristiques.

Important

As the instrument is an electrical apparatus, it may be operated only by trained personnel. Maintenance and repairs may also be carried out only by qualified personnel.

Wichtig

Da das Gerät ein elektrisches Betriebsmittel ist, darf die Bedienung nur durch eingewiesenes Personal erfolgen. Wartung und Reparatur dürfen nur von geschultem, fach- und sachkundigem Personal durchgeführt werden.

Important

Comme l'instrument est un équipement électrique, le service doit être assuré par du personnel qualifié. De même, l'entretien et les réparations sont à confier aux personnes suffisamment qualifiées.

© Philips GmbH – Hamburg – Germany – 1988

Ang

All rights are strictly reserved.

Reproduction or divulgation in any form whatsoever is not permitted without written authority from the copyright owner.

Issued by Philips GmbH -Unternehmensbereich Elektronik für Wissenschaft und Industrie- Werk für Meßtechnik

Printed in Germany

CONTENTS

1.	GENERAL	5
1.1.	Introduction	5
1.2.	Technical data	5
1.3.	Accessories	7
1.4.	Operating principle	8
2.	INSTALLATION INSTRUCTIONS	9
2.1.	Initial inspection	9
2.2.	Safety instructions	9
2.3.	Mains voltage setting and fuses	10
2.4.	Operating position of the instrument	10
2.5.	Dismantling the instrument	10
2.6.	Radio interference suppression	10
3.	OPERATING INSTRUCTIONS	11
3.1.	Controls and sockets	11
3.2.	Operation	12
4.	SERVICE PART	35
4.1.	Circuit description	35
4.2.	Access to parts	39
4.3.	Check and adjustment	40
4.4.	Safety inspection and tests after repair and maintenance	42
4.5.	Spare parts	42
5.	FIGURES	
1.	Block diagram	
2.	Front view	
3.	Front view, mechanical parts	
4.	Bottom view	
5.	Unit 1, component lay-out	
6.	Overall circuit diagram	
6.	CODING SYSTEM OF FAILURE REPORTING FOR QUALITY	
7.	ADDRESSES FOR SALES AND SERVICE	

INHALTSVERZEICHNIS

1.	ALLGEMEINES	15
1.1.	Einleitung	15
1.2.	Technische Daten	15
1.3.	Zubehör	17
1.4.	Funktionsprinzip	18
2.	VORBEREITUNGSANWEISUNGEN	19
2.1.	Wareneingangskontrolle	19
2.2.	Sicherheitsanweisungen	19
2.3.	Netzspannungseinstellung u. Sicherungen	20
2.4.	Betriebslage des Gerätes	20
2.5.	Öffnen des Gehäuses	20
2.6.	Funkentstörung	20
3.	BETRIEBSANLEITUNG	21
3.1.	Bedienelemente und Anschlüsse	21
3.2.	Bedienung	22

5.	BILDVERZEICHNIS
	1. Blockschaltbild
	2. Frontansicht

TABLE DES MATIERES

1.	GENERALITES	25
1.1.	Introduction	25
1.2.	Caractéristiques techniques	25
1.3.	Accessoires	27
1.4.	Principe de fonctionnement	28
2.	INSTRUCTIONS POUR L'INSTALLATION	29
2.1.	Inspection initiale	29
2.2.	Consignes de sécurité	29
2.3.	Adaptation à la tension secteur, fusibles	30
2.4.	Position de fonctionnement de l'appareil	30
2.5.	Démontage de l'appareil	30
2.6.	Suppression du rayonnement	30
3.	MISE EN SERVICE	31
3.1.	Commandes et douilles	31
3.2.	Fonctionnement	32

5.	RAPPEL DES FIGURES
	1. Schéma synoptique
	2. Face avant

Operating manual

1. GENERAL

1.1. INTRODUCTION

The PM 5131 function generator is an instrument designed for applications extending from the educational to the general purpose area.

It produces sinewave, triangular and squarewave output signals, the frequencies of which are adjustable in three logarithmical sub-ranges from 0.1 Hz to 2 MHz. The frequency vernier allows the frequency setting to be varied from -20% to $+20\%$.

The output voltage is continuously adjustable up to $30 V_{pp}$ and can be attenuated in steps of 10 dB down to 60 dB.

A continuously adjustable output voltage can be selected separately or whenever used as d.c. offset voltage added to the selected output signal.

The generator provides a more than 3 decade sweep facility with adjustable sweep range and a variable sweep time from 10 to 150 seconds. For instance it is possible to cover the audio frequency range of 20 Hz to 20 kHz in one continuous sweep. Moreover external sweep and frequency modulation can be performed.

For TTL applications a separate output is available.

The ergonomic design of the controls and sockets serves for convenient operating the instrument.

1.2. TECHNICAL DATA

Safety characteristics

This apparatus has been designed and tested in accordance with Safety Class I requirements of IEC Publication 348, Safety Requirements for Electronic Measuring Apparatus, and has been supplied in a safe condition. This manual contains some information and warnings which must be followed by the user to ensure safe operation and to retain the apparatus in a safe condition.

Performance characteristics, specifications

Properties expressed in numerical values with stated tolerance are guaranteed by the manufacturer. Specified non-tolerance numerical values indicate those that could be nominally expected from the mean of a range of identical instruments.

This specification is valid after the instrument has warmed up for 30 minutes (reference temperature 23°C).

If not stated otherwise, relative or absolute tolerances relate to the set value.

1.2.1. Frequency

Frequency range	0.1 Hz - 2 MHz
Selected ranges	I 0.1 Hz – 200 Hz
	II 10 Hz – 20 kHz
	III 1 kHz – 2 MHz
Characteristic	logarithmic
Adjustments	– three range pushbuttons – dial with logarithmic scale – fine control knob
Frequency indication	logarithmic scale on the dial
Setting error	$< \pm 10\%$
Vernier frequency adjustment	$-20\% \dots +20\%$ of the dial setting
Temperature coefficient	$< 0,5\%/K$
Short-term drift	$< 1,5\%$ within 15 min.
Long-term drift	$< 3\%$ within 7 h.

1.2.2. Output

Connection	BNC socket
Impedance	50 Ω
Load capability	short-circuit proof
Wave forms	Sinewave, triangular-, squarewave; all time-symmetrical; with or without d.c. offset. d.c. voltage without a.c.
Open circuit voltage	
– setting range	3 V _{pp} ... 30 V _{pp} , continuously adjustable
– maximum value	± 15 V
DC (offset) voltage	
– button PUSH FOR ZERO pulled, open circuit voltage	-10 V ... +10 V, continuously adjustable
– button PUSH FOR ZERO and WAVE FORM button DC pressed	< 50 mV
Attenuation	
– continuous	0 ... 20 dB (see open circuit voltage 3 V _{pp} – 30 V _{pp})
– fixed	0 to 60 dB in steps of 10 dB
Distortion (sinewave)	< 0,5 % in ranges I, II < 3 % in range III
Linearity (triangular wave)	better than 99,5 % in ranges I, II
Rise time, fall time (squarewave)	< 75 ns
Overshoot and ringing (squarewave)	< 2 %
Amplitude response (sinewave; reference value 1 kHz)	< 0,1 dB in ranges I, II < 0,3 dB in range III < 1 MHz < 1 dB in range III \leq 2 MHz (open circuit voltage 3 ... 30 V _{pp} , load 50 Ω , attenuation 0 dB)

1.2.3. TTL output

Connection	BNC socket
Duty cycle	50 %
Fan out	20 TTL inputs

1.2.4. Frequency control**1.2.4.1. Internal sweep**

Sweep mode	single sweep
Sweep characteristic	logarithmic
Sweep range (ratio f STOP/f START)	1 ... 2000 (1 ... 2·10 ³), continuously adjustable
Sweep period (sweep time)	\leq 10 ... 150 s, continuously adjustable.
SWEEP VOLTAGE output (frequency analogue voltage)	
– connection	BNC socket
– scale factor	1 V/frequency decade

1.2.4.2. External sweep or frequency modulation

Connection	BNC socket SWEEP VOLTAGE IN/OUT
Voltage vs. frequency characteristic	logarithmic
Max. sweep range	total sub-range I, II or III
Sensitivity	1 V/frequency decade

Input impedance	1 k Ω
Max. modulation frequency	ca. 5 kHz
1.2.5. Power supply	AC mains
Reference value	230 V
Nominal values	115 V/230 V selectable by solder links
Nominal operating range	$\pm 15\%$ of selected nominal value
Operating limits	$\pm 15\%$ of selected nominal value
Nominal frequency range	50 - 100 Hz
Limit range of operation	47.5 - 105 Hz
Power consumption	21 W
1.2.6. Environmental conditions	
<i>Ambient temperature</i>	
Reference value	+23 °C \pm 1 °C
Nominal working range	+5 °C ... +40 °C
Limits for storage and transport	-40 °C ... +70 °C
<i>Relative humidity</i>	
Reference range	45 ... 75 %
Nominal working range	20 ... 80 %
<i>Air pressure</i>	
Reference value	1013 mbar ($\hat{=}$ 760 mm Hg)
Nominal working range	800 ... 1066 mbar (up to 2200 m height)
<i>Air speed</i>	
Reference value	0 ... 0.2 m/s
Nominal working range	0 ... 0.5 m/s
<i>Operating position</i>	normally upright on feet or with handle fold down
<i>Warm-up time</i>	30 min.
1.2.7. Cabinet	
Protection type (see DIN 40 050)	IP 20
Protection class (see IEC 348)	class I, protective conductor
Overall dimensions	
— height	140 mm
— width	310 mm
— depth	330 mm
Weight	approx. 4.5 kg
1.3. ACCESSORIES	
1.3.1. Standard	Instruction manual fuse and voltage label
1.3.2. Optional	PM 9585: 50 Ω termination 1 W PM 9581: 50 Ω termination 3 W PM 9075: Coaxial connection cable BNC–BNC

1.4. OPERATING PRINCIPLE (see Fig. 1., block diagram)

The oscillator of the function generator comprises the switched integrator and the peak detector (comparator). The controlled current source of the d.c. control section generates the charging current for the integrator. At the integrator output a linear voltage ramp is fed to the peak detector. When reaching the reference voltage the detector reverses the charging current of the integrator resulting in integration in the opposite direction. Integration down is performed until reaching the negative reference level of the peak detector, which again reverses the current of the switched integrator. As both reference levels are symmetrical with respect to earth, a zero symmetrical triangular wave is generated at the output of the integrator. The duty cycle of this wave is 1 : 1.

The output current of the controlled current source depends on the positions of the frequency dial and the FREQUENCY OFFSET control. The resulting frequency of the oscillator is determined by this current and - in addition - by the integrating capacitor in the switched integrator. Different capacitors are switched in by the FREQUENCY Hz pushbuttons. Internal frequency control of the main oscillator for single sweep is effected by the sweep control, started by the SINGLE SWEEP pushbutton. The sweep range can be adjusted by the SWP STOP/START control. The SWP PERIOD turn-knob adjusts the sweep time.

The instantaneous (sweep) voltage corresponding to a distinct frequency of the oscillator is available at the SWP VOLTAGE IN/OUT socket. Via this socket external sweep or frequency modulation can be performed. The voltage to frequency relationship is logarithmical, corresponding to the transfer characteristic of the controlled current source.

The WAVE FORM switch allows the following wave forms to be selected: a triangular wave from the integrator, a squarewave from the peak detector or a sinewave formed by the sine shaper circuitry. The signal is fed to the OUTPUT socket via AMPLITUDE potentiometer, amplifier and attenuator.

By means of the DC OFFSET control a d.c. voltage can be added to the signal, activated by pulling the PUSH FOR ZERO switch/turn-knob. If d.c. voltage only is requested, the a.c. part of the output signal can be switched off by pressing the DC pushbutton of the wave form selector.

A squarewave signal of the peak detector is fed via the TTL buffer to the TTL OUT socket.

The stabilized power supply provides the d.c. voltages for the circuitries.

2. INSTALLATION INSTRUCTIONS

2.1. INITIAL INSPECTION

Check the contents of the shipment for completeness and note whether any damage has occurred during transport. If the contents are incomplete, or there is damage, a claim should be filed with the carrier immediately, and the Philips Sales or Service organisation should be notified in order to facilitate the repair or replacement of the instrument.

2.2. SAFETY INSTRUCTIONS

Upon delivery from the factory the instrument complies with the required safety regulations, see para. 1.2. To maintain this condition and to ensure safe operation, the instructions below must carefully be followed.

2.2.1. Maintenance and repair

Failure and excessive stress:

If the instrument is suspected of being unsafe, take it out of operation permanently.

This is the case when the instrument

- shows physical damage
- does not function anymore
- is stressed beyond the tolerable limits (e.g. during storage and transportation)

Dismantling the instrument: When removing covers or other parts by means of tools, live parts or terminals could be exposed. Before opening the instrument, disconnect it from all power sources.

If the **open live instrument needs calibration, maintenance or repair**, it must be performed only by trained personnel being aware of the risks. After disconnection from all power sources, the capacitors in the instrument may remain charged for some seconds.

2.2.2. Earthing (grounding)

Before any other connection is made the instrument shall be connected to a protective earth conductor via the three-core mains cable. The mains plug shall be inserted only into a socket outlet provided with a protective earth contact. The protective action shall not be negated by the use of an extension cord without protective conductor.

The external contacts of the BNC sockets must not be used to connect a protective conductor.

WARNING: Any interruption of the protective conductor inside or outside the instrument, or disconnection of the protective earth terminal, is likely to make the instrument dangerous. Intentional interruption is prohibited.

The circuit earth potential applied to the external contacts of the BNC sockets is connected to the cabinet. The external contacts of the BNC sockets must not be used to connect a protective conductor.

2.2.3. Connections

The circuit earth potential is applied to the external contacts of the BNC sockets and is connected to the cabinet by means of parallel-connected capacitor and resistor. By this means hum loops are avoided and a clear HF earthing is obtained.

If the circuit earth potential in a measurement set-up is different from the protective earth potential, it must be noticed

- that the BNC sockets can be touched and that it must not be live, see the safety regulations on the subject (VDE 0411),
- that all sockets marked with the sign **⚡** are internally interconnected.

2.2.4. Mains voltage setting and fuses

Before inserting the mains plug into the mains socket, make sure that the instrument is set to the local mains voltage.

The instrument shall be set to the local mains voltage only by a qualified person who is aware of the hazard involved.

WARNING: If the mains plug has to be adapted to the local situation, such adaptation should be done by a qualified person only.

Make sure that only fuses of the required current rating, and of the specified type, are used for renewal. The use of repaired fuses, and/or the short-circuiting of fuse holders, are prohibited.

The fuse shall be renewed only by a qualified person who is aware of the hazard involved.

WARNING: The instrument shall be disconnected from all voltage sources when a fuse is to be renewed, or when the instrument is to be adapted to a different mains voltage.

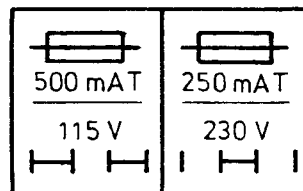
2.3. MAINS VOLTAGE SETTING AND FUSES

The safety instructions in chapter 2.2.4. must be followed.

On delivery from the factory the instrument is set to 230 V (PM 5131) resp. 115 V (PM 5131 M).

If the instrument is to be used on a different supply voltage proceed as follows:

- Unplug the mains connector
- Fold up the handle to the top.
For this push the buttons of the handle.
- Loosen the central screw at the rear
- Dismantle the cabinet
- Change the solder links according to the connection diagram on the bottom side of the instrument



- If necessary exchange the supplied fuse and mains voltage label
- Close the instrument

2.4. OPERATING POSITION OF THE INSTRUMENT

The instrument may be used in the positions indicated in clause 1.2. 6. With the handle folded down, the instrument may be used in a sloping position; for this push the buttons of the handle. The characteristics mentioned in Section 1.2. are guaranteed for the specified positions.

Do not position the instrument on any surface which produces or radiates heat, or in direct sunlight.

2.5. DISMANTLING THE INSTRUMENT


- Unplug the mains connector
- Fold up the handle to the top. For this push the buttons of the handle
- Loosen the central screw at the rear
- Dismantle the cabinet

2.6. RADIO INTERFERENCE SUPPRESSION

Radio interference of the instrument is suppressed and checked carefully. In connection with deficient suppressed base units and further units radio interference can be generated, which have to be suppressed by means of additional activities.

3. OPERATING INSTRUCTIONS

3.1. CONTROLS AND SOCKETS (FIG. 2)

Legend	Position	Function
POWER ○ ON ● OFF	251	mains switch: white dot for ON position
WAVE FORM 	252/5 to 252/7	pushbuttons for the required waveform: sinewave, triangular or square wave.
FREQUENCY Hz x1 x100 x 10k	252/1 to 252/3	pushbuttons for selecting the frequency range 0.1–200 Hz, 10 Hz–20 kHz, 1 kHz–2 MHz
.1.....200 (logarithmical scale)	650	dial for continuous coarse frequency adjustment
FREQ OFFSET –20 %.....+20 %	651	knob for continuous fine frequency adjustment
ATTENUATION 10 dB 20 dB 30 dB	252/9 to 252/11	pushbuttons for setting the fixed attenuation; 40 – 60 dB by combination of pushbuttons.
AMPLITUDE 3 Vpp.....30 Vpp	821	knob for continuous amplitude adjustment of the output signal
DC	252/8	pushbuttons for switching off the a.c. portion of the signal
DC OFFSET –10 V+10 V	822	knob for continuous d.c. voltage adjustment
PUSH FOR ZERO	822	pull-switch for adding the d.c. voltage to the output signal
OUTPUT	200	BNC output socket for the signal
TTL OUTput	201	BNC output socket for the TTL signal
SGLE SWEEP ☐ ON OFF ☐	252/4	pushbutton for starting a single sweep period
SWP STOP/START 1.....2000	653	knob for adjusting the stop frequency (ratio stop/start frequency)
SWP VOLTAGE IN/OUT 1 V/ FREQ DEC	202	BNC input/output socket for the frequency analogue voltage
SWP PERIOD ≤10 s 150 s	652	knob for setting the sweep time

3.2. OPERATION

3.2.1. Setting the voltage at socket OUTPUT

By means of the control AMPLITUDE, the amplitude of the output signal is continuously variable.

Released button DC and pulled button PUSH FOR ZERO enables a continuously adjustable positive or negative d.c. voltage to be added to the output signal.

When pressing the button DC, the a.c. part of the output signal is switched off and the d.c. voltage only is fed to the output.

With step attenuator ATTENUATION, the output signal and the DC offset can be attenuated in steps of 10 dB up to 60 dB. For 10 dB to 30 dB separate pushbuttons are available. Attenuations of 40 and 50 dB are selected by combined pushbutton actions.

For 60 dB all three buttons have to be pressed.

Note: The output amplifier could be overdriven due to adding signal and DC offset voltage. To avoid limiting, the peak value of the open-circuit output voltage must not exceed ± 15 V (step attenuator set to 0 dB).

3.2.2. Setting the frequency

Three controls are provided for setting the frequency

- dial with logarithmical scale
- range selector FREQUENCY Hz
- vernier FREQ OFFSET control.

The scale reading, multiplied by the factor of the range selector, represents the frequency. In addition the frequency deviation set by means of the FREQ OFFSET control must be accounted for.

The set frequency represents:

- the output signal frequency when button SGLE SWEEP released
- the signal frequency with when button SGLE SWEEP pressed
0 V control voltage at socket
SWP VOLTAGE IN/OUT
- the start frequency of the single sweep mode.

3.2.3. Internal single sweep

Internal single sweep from the start- to the stop-frequency is started by pressing the button SGLE SWEEP. The characteristic is exponential following the relation

$$f_o = f_{\text{START}} \cdot 10^{U_c/V}$$

where f_o = instantaneous signal frequency at the output
 f_{START} = frequency at the beginning of the sweep represented by the frequency setting, see 3.2.2.
 U_c = voltage at the socket SWP VOLTAGE IN/OUT.

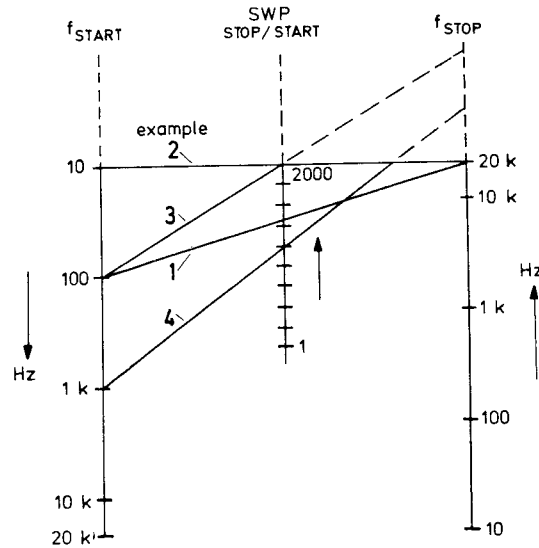
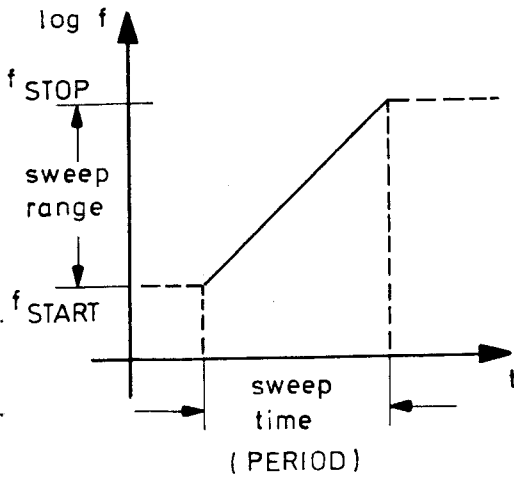
So a control voltage difference of 1 V results in a frequency ratio of 10:1.

At the end of the sweep the output remains at the stop frequency which can be set by the SWP STOP/START control. Resetting the SGLE SWEEP button effects the frequency to fly back to the start frequency. The sweep time is adjusted by the SWP PERIOD potentiometer.

Pre-adjustment of the stop frequency may be performed at the end of the sweep with minimum period, prior to setting the final sweep operation.

Please note:

The sweep can only be performed within the concerning sub-range. So it is obvious, that the SWP STOP/START control must only be set to a value not exceeding the upper frequency of the sub-range (e.g. 20 kHz in II), see example 1 of the figure. Only if the start frequency is the lower limit of the sub-range (e.g. 10 Hz in II, example 2), the maximum sweep range of 2000:1 can be made use of. Settings in examples 3 and 4 lead to overdriving, which besides of frequency limiting results in general distortion of the signal.



Example for the sub-range II (x100); the other two ranges to be regarded similarly.

3.2.4. External sweep and frequency modulation

The SGLE SWEEP button must be released.

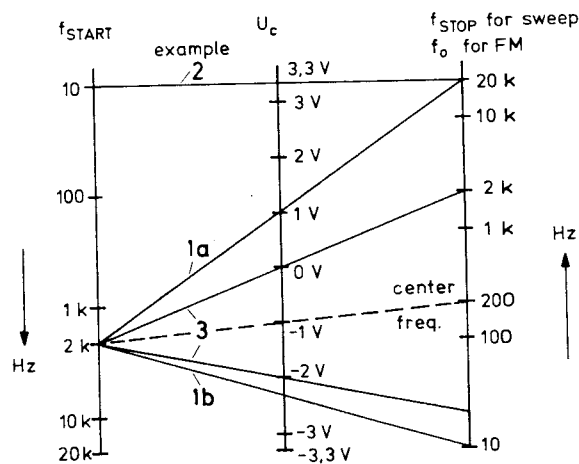
The frequency of the generator can be controlled by supplying an external voltage to the SWP VOLTAGE IN/OUT socket. The frequency of the generator changes exponentially with the control voltage (1 Dekade/1 V), as described in chapter 3.2.3.

Within the frequency ranges some limitations have to be taken into account:

The start frequency limits the maximum external control voltage. A start frequency of 2 kHz for instance results in a maximum possible sweep range of 1 decade up to higher frequencies, corresponding to a control voltage of +1 V, example 1a of the figure. Down to lower frequencies a maximum voltage of -2,3 V is permitted not to exceed the limit for the stop frequency of 10 Hz, example 1b. Is the start frequency the lower limit of the sub-range (e.g. 10 Hz in II, example 2), the maximum control voltage of +3,3 V can be made use of.

Example for frequency modulation:

Adjusting the basic frequency to 2 kHz and applying an external d.c. control voltage of -1 V result in a center frequency of 200 Hz. Superimposition of an a.c. control voltage of 1 Vpp effects a frequency modulation within the limits of 20 Hz and 2 kHz, example 3.



Example for the sub-range II (x100); the other two ranges to be regarded similarly, U_c scale reading to be unchanged.

Bedienungsanleitung

1. ALLGEMEINES

1.1. EINLEITUNG

Der Funktionsgenerator PM 5131 wurde für Schulungsaufgaben und allgemeine Anwendungen entwickelt.

Er erzeugt sinus-, dreieck- und rechteckförmige Ausgangssignale, deren Frequenzen in drei logarithmischen Bereichen von 0,1 Hz bis 2 MHz eingestellt werden können. Die Feineinstellung lässt Verstellung der Frequenz im Bereich von -20% bis $+20\%$ zu.

Die Ausgangsspannung ist bis $30 V_{SS}$ stetig einstellbar und kann in Stufen von 10 dB bis 60 dB abgeschwächt werden.

Dem Ausgangssignal kann eine von $-10 V$ bis $+10 V$ stetig einstellbare Gleichspannung hinzugefügt werden. Sie kann auch separat an den Ausgang geführt werden.

Es ist möglich, die Frequenz des Generators in den 3 Bereichen jeweils über mehr als 3 Dekaden zu steuern (interner Einzelsweep). So ist es möglich, den gesamten Audio-Bereich von 20 Hz bis 20 kHz mit einem kontinuierlichen Sweep zu durchfahren. Die Sweepzeit reicht von etwa 10 bis 150 Sekunden.

Weiterhin ist externer Sweep und Frequenzmodulation möglich.

Für Anwendungen auf dem TTL-Gebiet steht ein weiterer Signalausgang zur Verfügung.

Die übersichtliche Anordnung der Bedienelemente und Anschlüsse gewährleistet eine bequeme Handhabung des Gerätes.

1.2. TECHNISCHE DATEN

Sicherheitsbestimmungen

Dieses Gerät ist gemäß Schutzklasse I der IEC 348, Sicherheitsbestimmungen für Mess- und Regeleinrichtungen, gebaut und geprüft und hat das Werk in sicherheitstechnisch einwandfreiem Zustand verlassen. Um diesen Zustand zu erhalten und einen gefahrlosen Betrieb sicherzustellen, muß der Anwender die Hinweise und Warnvermerke beachten, die in der vorliegenden Gebrauchsanleitung enthalten sind.

Kenndatenangaben, Spezifikationen

Zahlenwerte mit Toleranzangaben werden vom Hersteller garantiert. Zahlenwerte ohne Toleranzangaben sind Durchschnittswerte und dienen nur zur Information.

Diese Kenndaten gelten nach einer Anwärmzeit des Geräts von 30 Minuten (Bezugstemperatur $23^{\circ}C$). Falls nicht anders angegeben, beziehen sich relative und absolute Toleranzen auf den eingestellten Wert.

1.2.1. Frequenz

Frequenzbereich	0,1 Hz - 2 MHz
Teilbereiche I	0,1 Hz - 200 Hz
II	10 Hz - 20 kHz
III	1 kHz - 2 MHz
Charakteristik	logarithmisch
Einstellelemente	– 3 Bereichstasten – Kreisskala mit logarithmischer Teilung – Feineinsteller
Frequenzanzeige	logarithmische Skale der Kreisscheibe
Einstellfehlergrenzen	$\pm 10\%$
Frequenz-Feineinstellung	$-20\% \dots +20\%$ der Kreisskalen-Einstellung
Temperaturkoeffizient	$< 0,5\%/K$
Kurzzeitdrift	$< 1,5\%$ innerhalb von 15 Minuten
Langzeitdrift	$< 3\%$ innerhalb von 7 Stunden

1.2.2. OUTPUT-Signalausgang

Anschluss	BNC-Buchse
Innenwiderstand	50 Ω
Belastbarkeit	kurzschlußfest
Signalformen	Sinus, Dreieck oder Rechteck; alle zeitsymmetrisch; mit oder ohne Gleichspannungsoffset. Gleichspannung ohne Wechselspannungsanteil.
Leerlaufamplitude	
– Einstellbereich	3 V_{SS} ... 30 V_{SS} , stetig einstellbar
– Grenzwert	± 15 V
DC Gleichspannung (Offset)	
– Drucktaste PUSH FOR ZERO gezogen; Leerlaufspannung	-10 V ... +10 V, stetig einstellbar
– Drucktaste PUSH FOR ZERO und Signalformtaster DC gedrückt	< 50 mV
Abschwächer	
– stetig	0 ... 20 dB (siehe Leerlaufamplitude 3 V_{SS} ... 30 V_{SS})
– fest (Stufenabschwächer)	0 bis 60 dB in Stufen von 10 dB
Klirrfaktor (Sinus)	< 0,5 % in den Teilbereichen I, II < 3 % im Teilbereich III
Linearität (Dreieck)	besser als 99,5 % in den Teilbereichen I, II
Anstiegs- und Abfallzeit (Rechteck)	< 75 ns
Überschwingen und Welligkeit (Rechteck)	< 2 %
Amplitudengang (Sinus; Referenzwert 1 kHz)	< 0,1 dB in den Teilbereichen I, II < 0,3 dB im Teilbereich III < 1 MHz < 1 dB im Teilbereich III \leq 2 MHz (Leerlaufspannung 3 ... 30 V_{SS} , Belastung 50 Ω , Abschwächer 0 dB).

1.2.3. TTL OUT-Ausgang

Anschluss	BNC-Buchse
Tastgrad (duty cycle)	50 %
Grenzlast (fan-out)	20 TTL-Eingänge

1.2.4. Frequenzsteuerung**1.2.4.1. Interner Sweep**

Betriebsart	Einzelstweep
Sweep-Charakteristik	logarithmisch
Sweepbereich (Verhältnis f STOP/START)	1 ... 2000 (1 ... 2 \cdot 10 ³), stetig einstellbar
Sweepperiode (Sweepzeit)	\leq 10 ... 150 s, stetig einstellbar
SWEEP VOLTAGE Ausgang (Frequenzanaloge Spannung)	
– Anschluss	BNC-Buchse
– Skalenfaktor	1 V/Frequenzdekade

1.2.4.2. Externer Sweep oder Frequenzmodulation

Anschluss	BNC-Buchse SWEEP VOLTAGE IN/OUT
Spannungs-Frequenz Charakteristik	logarithmisch
Maximaler Steuerbereich	der ganze Teilbereich I, II oder III

Empfindlichkeit	1 V/Frequenzdekade
Eingangswiderstand	1 k Ω
Maximale Modulationsfrequenz	etwa 5 kHz

1.2.5. Versorgungsspannung

Referenzwert	230 V
Nennwerte	115 V/230 V, durch Lötbrücken wählbar
Nennbetriebsbereich	$\pm 15\%$ vom eingestellten Nennwert
Grenzbetriebsbereich	$\pm 15\%$ vom eingestellten Nennwert
Frequenznennbereich	50 - 100 Hz
Frequenztoleranzbereich	47,5 - 105 Hz
Leistungsaufnahme	21 W

Netzwechselfspannung**1.2.6. Umgebungsbedingungen***Umgebungstemperatur*

Referenzwert	+23 °C \pm 1 °C
Nenngebrauchsbereich	+5 °C ... +40 °C
Grenzbereich für Lagerung und Transport	-40 °C ... +70 °C

Relative Luftfeuchte

Referenzbereich	45 % ... 75 %
Nenngebrauchsbereich	20 % ... 80 %

Luftdruck

Referenzwert	1013 mbar ($\hat{=}$ 760 mm Hg)
Nenngebrauchsbereich	800 mbar ... 1066 mbar (bis 2200 m Höhe)

Geschwindigkeit der umgebenden Luft

Referenzbereich	0 m/s ... 0,2 m/s
Nenngebrauchsbereich	0 m/s ... 0,5 m/s

Betriebslage

auf den Füßen stehend (Normallage) oder auf Tragbügel gestellt

Anwärmzeit

30 min.

1.2.7. Gehäuse

Schutzart nach DIN 40 050	IP 20
Schutzklasse nach DIN 348	Klasse I, Schutzleiter
Abmessungen über alles	
– Höhe	140 mm
– Breite	310 mm
– Tiefe	330 mm
Gewicht	ca. 4,5 kg

1.3. ZUBEHÖR**1.3.1. Normalzubehör**Gerätehandbuch
Sicherung und Spannungsschild**1.3.2. Sonderzubehör**PM 9585: 50 Ω -Abschluß 1 W
PM 9581: 50 Ω -Abschluß 3 W
PM 9075: Koaxialkabel BNC–BNC

1.4. FUNKTIONSPRINZIP (siehe Abb. 1, Blockschaltbild)

Der Oszillator des Funktionsgenerators umfasst den geschalteten Integrator (switched integrator) und den Komparator (peak detector). Die gesteuerte Stromquelle (controlled current source) des Gleichstromteils erzeugt den Ladestrom für den Integrator. Am Integratorausgang wird eine lineare Spannungsrampe dem Komparator zugeführt. Beim Erreichen eines vorgegebenen Schwellwertes spricht der Komparator an und steuert die Stromrichtung im Integrator um. Der Integrationsvorgang verläuft nun in der entgegengesetzten Richtung. Erreicht die Spannungsrampe den anderen Schwellenwert des Komparators, so kehrt dieser die Stromrichtung im Integrator wieder um. Da die beiden Schwellenwerte entgegengesetzt gleich gross sind, entsteht so am Integratorausgang eine periodische, nullsymmetrische Dreiecksspannung. Das Zeitverhältnis der ansteigenden zur abfallenden Dreieckflanke ist 1:1.

Der Ausgangsstrom der gesteuerten Stromquelle hängt von den Einstellungen der Kreisskala und dem Feineinsteller FREQ OFFSET ab. Die resultierende Frequenz des Oszillators wird von diesem Strom und zusätzlich vom Wert des Kondensators im Integrator bestimmt. Verschiedene Kapazitätswerte werden mit den Drucktasten FREQUENZ Hz eingeschaltet.

Interne Frequenzsteuerung des Oszillators für Einzelsweep erfolgt mit dem Sweep-Steuerteil (sweep control). Die Auslösung erfolgt durch Betätigen der Taste SGLE SWEEP. Der Sweepbereich wird stetig mit dem Steller SWP STOP/START eingestellt. Die Einstellung der Sweepzeit erfolgt mit dem Potentiometer SWEEP PERIOD.

Die momentane (Sweep-) Spannung, die einer bestimmten Frequenz des Oszillators entspricht, steht an der Buchse SWP VOLTAGE IN/OUT zur Verfügung. Das Verhältnis von Spannung zu Frequenz ist, entsprechend der Charakteristik der gesteuerten Stromquelle, logarithmisch.

Mit dem Signalformschalter WAVE FORM können drei Signalformen gewählt werden: die Dreiecksspannung vom Integrator, die Rechteckspannung vom Komparator oder die Sinusspannung, die mit dem Sinusformer (sine shaper) aus der Dreiecksspannung erzeugt wird.

Das Signal wird über den Amplitudensteller, den Verstärker (amplifier) und Abschwächer (attenuator) an den Ausgang geführt.

Mit Hilfe des Stellers DC OFFSET kann dem Signal eine Gleichspannung unterlegt werden, zugeschaltet durch Ziehen des Schalters PUSH FOR ZERO. Wenn nur die Gleichspannung allein gewünscht wird, kann der Wechselspannungsanteil des Ausgangssignals abgeschaltet werden. Dazu ist die Drucktaste DC des Signalformwählers zu betätigen.

Ein Rechtecksignal des Komparators wird über einen Trennverstärker (TTL buffer) zur TTL OUT Buchse geführt.

Das stabilisierte Netzteil liefert die Gleichspannungen für die Schaltkreise.

2. VORBEREITUNGSANWEISUNGEN

2.1. WARENEINGANGSKONTROLLE

Überprüfen Sie den Inhalt der Sendung auf Vollständigkeit und nehmen Sie eine Sichtkontrolle vor, um festzustellen, ob das Gerät während des Transports möglicherweise beschädigt wurde. Wenn der Inhalt unvollständig ist oder wenn irgendwelche Defekte wahrgenommen werden, muß beim Überbringer sofort reklamiert werden. Eine Philips Verkaufs- oder Servicestelle muß ebenfalls verständigt werden, um Reparatur oder Ersatz des Gerätes zu ermöglichen.

2.2. SICHERHEITSANWEISUNGEN

Dieses Gerät hat das Werk in sicherheitstechnisch einwandfreiem Zustand verlassen (siehe Kap. 1.2.). Zur Erhaltung dieses Zustands und seines gefahrlosen Betriebs müssen die nachfolgenden Hinweise sorgfältig beachtet werden.

2.2.1. Reparatur und Wartung

Fehler und außergewöhnliche Beanspruchungen:

Wenn anzunehmen ist, daß ein gefahrloser Betrieb nicht mehr möglich ist, so ist das Gerät außer Betrieb zu setzen und gegen unabsichtlichen Betrieb zu sichern. Dieser Fall tritt ein,

- wenn das Gerät sichtbare Beschädigungen aufweist,
- wenn das Gerät nicht mehr arbeitet,
- nach Überbeanspruchungen jeglicher Art (z.B. Lagerung, Transport), die die zulässigen Grenzen überschreiten.

Öffnen des Geräts: Beim Öffnen von Abdeckungen oder Entfernen von Teilen mit Werkzeug können spannungsführende Teile freigelegt werden. Auch können Anschlußstellen spannungsführend sein. Vor dem Öffnen des Geräts muß das Gerät von allen Spannungsquellen getrennt sein.

Wenn eine **Kalibrierung, Wartung oder Reparatur am geöffneten Gerät** unter Spannung unvermeidlich ist, so darf das nur durch eine Fachkraft geschehen, welche die damit verbundenen Gefahren kennt. Kondensatoren im Gerät können noch geladen sein, selbst wenn das Gerät von allen Spannungsquellen getrennt wurde.

2.2.2. Erden

Bevor irgendeine Verbindung hergestellt wird, muß das Gerät über das dreiadrige Netzkabel mit einem Schutzleiter verbunden werden.

Der Netzstecker darf nur in eine Schutzkontaktsteckdose eingeführt werden.

Diese Schutzmaßnahme darf nicht unwirksam gemacht werden, z.B. durch eine Verlängerungsleitung ohne Schutzleiter.

Eine Schutzerdung über Außenkontakte der BNC-Buchsen ist unzulässig.

WARNUNG: Jede Unterbrechung des Schutzleiters innerhalb oder außerhalb des Gerätes oder Trennung des Schutzerdeanschlusses ist gefährlich. Bewußte Unterbrechung ist verboten.

2.2.3. Anschlußstellen

Die Außenkontakte der BNC-Buchsen führen das Schaltungsnulldpunkt-Potential und sind mit dem Gehäuse über die Parallelschaltung von Kondensator und Widerstand verbunden. Damit werden Brummschleifen vermieden und eine eindeutige HF-Erdung der Schaltung bewirkt.

Falls das Schaltungsnulldpunkt-Potential in einem Meßaufbau vom Schutzerde-Potential abweicht, ist zu beachten,

- daß die BNC-Buchsen berührbar sind und nicht berührungsgefährlich sein dürfen, siehe die einschlägigen Sicherheitsbestimmungen (VDE 0411),
- daß alle mit dem Zeichen \perp gekennzeichneten Buchsen intern untereinander verbunden sind.

2.2.4. Netzspannungseinstellung und Sicherungen

Vor dem Anschließen des Netzsteckers an das Netz ist zu prüfen, ob das Gerät auf die örtliche Netzspannung eingestellt ist.

Nur eine Fachkraft, die die damit verbundenen Gefahren kennt, darf das Gerät auf die örtliche Netzspannung einstellen.

WARNUNG: Wenn der Netzstecker an die örtlichen Gegebenheiten angepaßt werden muß, darf eine solche Umrüstung nur von einer Fachkraft ausgeführt werden.

Es ist zu beachten, daß nur Sicherungen mit dem angegebenen Nennstrom und vom angegebenen Sicherungstyp verwendet werden dürfen, wenn eine Sicherung zu ersetzen ist. Die Verwendung reparierter Sicherungen und das Kurzschließen des Sicherungshalters ist verboten.

Die Sicherung darf nur durch eine Fachkraft ausgewechselt werden, die die damit verbundenen Gefahren kennt.

WARNUNG: Beim Auswechseln einer Sicherung und beim Einstellen auf eine andere Netzspannung ist das Gerät von allen Spannungsquellen zu trennen.

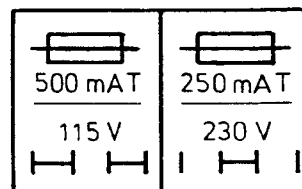
2.3. NETZSPANNUNGSEINSTELLUNG UND SICHERUNGEN

Die Sicherheitsanweisungen im Kapitel 2.2.4. müssen eingehalten werden.

Bei Fabrikzulieferung ist das Gerät auf 230 V (PM 5131) bzw. 115 V (PM 5131 M) eingestellt.

Soll das Gerät auf einen anderen Netzspannungsbereich umgestellt werden, ist wie folgt zu verfahren:

- Netzstecker herausziehen
- Handgriff nach oben wegschwenken; dazu sind die beiden seitlichen Verriegelungsknöpfe zu drücken
- Zentralbefestigung an der Rückseite lösen
- Mantel abziehen
- Lötbrücken gemäß nebenstehendem und auf der Unterseite des Gerätes befindlichem Bild ändern



- Ggf. mitgelieferte Sicherung und Netzspannungsschild austauschen
- Gerät anschließen

2.4. BETRIEBSLAGE DES GERÄTES

Das Gerät darf in den im Kapitel 1.2. 6 angegebenen Positionen betrieben werden. Bei heruntergeklapptem Tragbügel kann das Gerät in schräger Lage betrieben werden; hierzu sind die beiden Verriegelungsknöpfe an der Seite zu drücken.

Die technischen Daten im Kapitel 1.2. gelten für die angegebenen Positionen.

Das Gerät nie auf eine wärmeerzeugende oder ausstrahlende Oberfläche stellen oder direkter Sonneneinstrahlung aussetzen.

2.5. ÖFFNEN DES GEHÄUSES


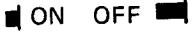
- Netzstecker herausziehen
- Handgriff nach oben wegschwenken; dazu sind die beiden Verriegelungsknöpfe zu drücken
- Zentralbefestigung an der Rückseite lösen
- Mantel abziehen

2.6. FUNK-ENTSTÖRUNG

Das Gerät wurde funkentstörtechnisch sorgfältig entstört und geprüft. Beim Zusammenschalten mit nicht einwandfrei entstörten Basiseinheiten und weiteren peripheren Geräten können Funkstörungen entstehen, die dann im einzelnen Fall zusätzliche Funkentstörungs-Maßnahmen erfordern.

3. BETRIEBSANLEITUNG

3.1. BEDIENELEMENTE UND ANSCHLÜSSE (Abb. 2.)

Beschriftung	Position	Funktion
POWER ○ ON ● OFF	251	Netzschalter; Weisses Feld für Einschaltzustand
WAVE FORM 	252/5 bis 252/7	Drucktasten zur Wahl der Signalform: Sinus-, Dreieck-, oder Rechtecksignal
FREQUENCY Hz x1 x100 x10 k .1 ... 200 (logarithmische Teilung)	252/1 bis 252/3 650	Drucktaster zur Wahl des Frequenzbereiches: 0,1 - 200 Hz, 10 Hz - 20 kHz, 1 kHz - 2 MHz Kreisskala zur kontinuierlichen Grobeinstellung der Frequenz
FREQ OFFSET -20 % ... +20 %	651	Steller zur kontinuierlichen Feineinstellung der Frequenz
ATTENUATION 10 dB 20 dB 30 dB	252/9 bis 252/11	Drucktaster zum Einstellen der festen Abschwächung 40 - 60 dB durch Kombination der Tasten
AMPLITUDE 3 V _{pp} ... 30 V _{pp}	821	Steller für kontinuierliche Amplituden-Einstellung des Ausgangssignals.
DC	252/8	Drucktaster zum Abschalten des Wechselspannungs- anteils des Signals.
DC OFFSET -10 V ... +10 V	822	Steller zur kontinuierlichen Einstellung der Gleichspannung
PUSH FOR ZERO	822	Zugschalter zur Summierung der Gleichspannung zum Ausgangssignal
OUTPUT	200	BNC-Ausgangsbuchse für das Signal
TTL OUT	201	BNC-Ausgangsbuchse für das TTL-Signal
SGLE SWEEP  ON OFF	252/4	Drucktaste zum Auslösen des Einzelsweep
SWP STOP/START 1 ... 2000	653	Steller zum Einstellen der Stopfrequenz (Verhältnis Stop- zu Startfrequenz)
SWP VOLTAGE IN/OUT 1 V/FREQ DEC	202	BNC-Eingangs/Ausgangs-Buchse für die frequenzanaloge Spannung
SWP PERIOD	652	Steller für die Sweepzeit

3.2. BEDIENUNG

3.2.1. Einsteller der Ausgangsspannung (OUTPUT)

Mit dem Steller AMPLITUDE ist die Amplitude des Ausgangssignals stetig einstellbar.

Bei entriegeltem Drucktaster DC und gezogenem Knopf PUSH FOR ZERO kann dem Ausgangssignal eine stetig einstellbare positive oder negative Gleichspannung unterlegt werden. Wird der Drucktaster DC gedrückt, ist der Wechselspannungsanteil des Signals abgeschaltet, und es wird nur die Gleichspannung an den Ausgang geführt.

Mit dem Stufenabschwächer ATTENUATION kann das Ausgangssignal einschliesslich DC-Offset in Stufen von 10 dB bis 60 dB abgeschwächt werden. Für 10 bis 30 dB stehen einzelne Drucktasten zur Verfügung.

40 und 50 dB sind durch Kombination zweier Tasten wählbar.

Für 60 dB müssen alle 3 Tasten gedrückt sein.

Hinweis: Der Ausgangsverstärker ist durch gleichzeitige Aussteuerung mit Signal und DC-Offsetspannung übersteuerbar. Zur Vermeidung von Begrenzungseffekten darf der Scheitelwert der Leerlaufausgangsspannung ± 15 V nicht überschreiten (Stufenabschwächer auf 0 dB).

3.2.2. Einstellen der Frequenz

Zum Einstellen der Frequenz stehen drei Bedienelemente zur Verfügung:

- Kreisskala mit logarithmischer Teilung
- Bereichschalter FREQUENCY Hz
- Feineinsteller FREQ OFFSET

Die resultierende Frequenz entspricht dem Produkt aus dem angezeigten Zahlenwert auf der Kreisskala und dem Einstellwert des Bereichschalters FREQUENCY Hz. Zusätzlich ist die durch den Feineinsteller FREQ OFFSET festgelegte Frequenzabweichung zu berücksichtigen.

Die eingestellte Frequenz entspricht

- der Signalfrequenz bei entriegelter Taste SGLE SWEEP
- der Signalfrequenz, mit 0 V bei gedrückten Taste SGLE SWEEP
Steuerspannung an der Buchse
SWEEP VOLTAGE IN/OUT
- der Startfrequenz des Einzelsweep

3.2.3. Interner Einzelsweep

Interner Einzelsweep von der Start- zur Stopfrequenz wird durch Drücken der Taste SGLE SWEEP ausgelöst. Die Charakteristik ist exponentiell, gemäss der Beziehung

$$f_o = f_{\text{START}} \cdot 10^{U_c/V}$$

wobei f_o = momentane Signalfrequenz am Ausgang

f_{START} = Frequenz zu Beginn des Sweep, eingestellt durch die Grundfrequenz gemäss 3.2.2.

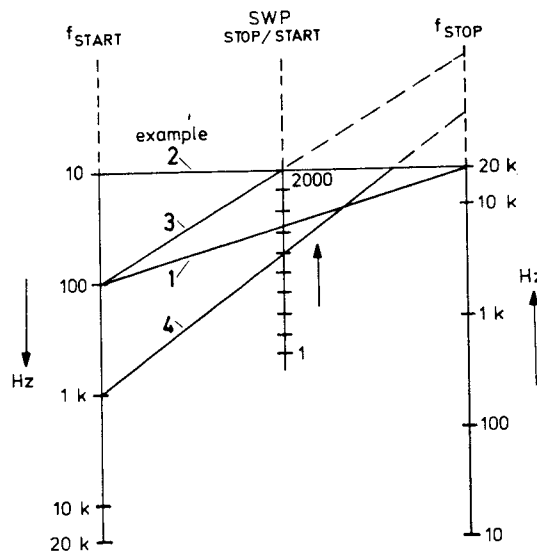
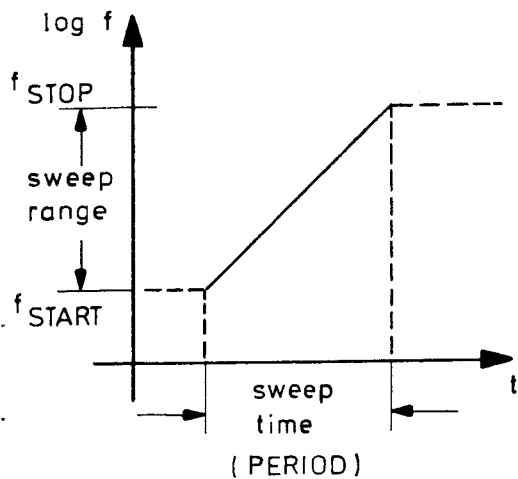
U_c = Spannung an der Buchse SWP VOLTAGE IN/OUT.

Somit ändert sich die Frequenz um eine Dekade bei einer Steuerspannungsdifferenz von 1 V. Am Ende der Sweeperiode verweilt der Ausgang an der oberen Frequenz des Sweepbereiches, die mit dem Steller SWP STOP/START eingestellt werden kann. Rücksetzen der Taste SGLE SWEEP lässt den Ausgang zur Startfrequenz zurückspringen.

Die Sweepzeit wird mit dem Potentiometer SWP PERIOD eingestellt. Vor-Einstellung der Stopfrequenz sollte am Ende des Sweep bei kleiner Periodenzeit vorgenommen werden, bevor der endgültige Sweep ausgeführt wird.

Zu beachten:

Der Sweepvorgang kann naturgemäß nur innerhalb des jeweiligen Teilfrequenzbereiches ausgeführt werden. Hieraus folgt, daß der Steller SWP STOP/START höchstens so eingestellt werden darf, daß die obere Frequenz des Teilbereiches (z.B. 20 kHz in II) nicht überschritten wird, siehe Beispiel 1 im Bild. Nur wenn die Startfrequenz an der unteren Grenze des Teilbereiches liegt (z.B. 10 Hz in II, Beispiel 2), kann der maximale Sweepbereich von 2000:1 ausgenutzt werden. Einstellungen der Beispiele 3 und 4 führen zu Übersteuerungen, was sich neben der Frequenzbegrenzung durch Verzerrung der Kurvenform bemerkbar macht.



Beispiel für den Teilbereich II (x100); die beiden anderen Bereiche ergeben sich ähnlich.

3.2.4. Externer Sweep und Frequenzmodulation

Die Taste SGLE SWEEP muss entriegelt sein.

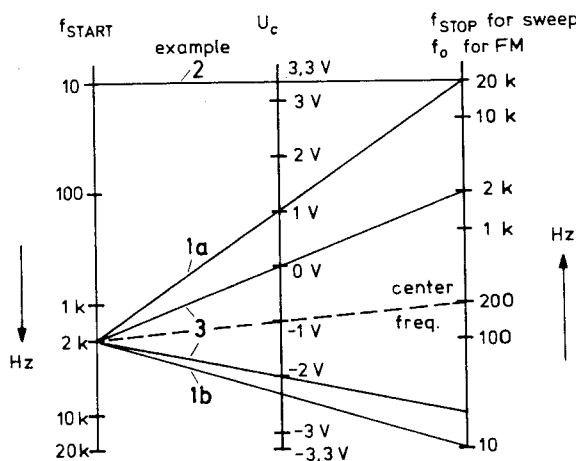
Die Signalfrequenz des Generators kann durch Zuführen einer Spannung über die Buchse SWP VOLTAGE IN/OUT gesteuert werden. Die Frequenz ändert sich dabei exponentiell mit der Steuerspannung (1 Dekade/1 V), wie in Kapitel 3.2.3. beschrieben.

Innerhalb der Frequenzbereiche müssen Begrenzungen beachtet werden:

Die Starfrequenz bestimmt die maximal zulässige externe Steuerspannung. Beträgt die Starfrequenz z.B. 2 kHz, so ergibt sich als maximal möglicher Sweepbereich zu höheren Frequenzen hin 1 Dekade, was einer maximalen Steuerspannung von +1 V entspricht, Beispiel 1a. Zu niedrigen Frequenzen hin sind maximal - 2,3 V erlaubt, um die Grenze der Stopfrequenz von 10 Hz nicht zu unterschreiten, Beispiel 1b. Liegt die Starfrequenz an der unteren Grenze des Teilbereiches (10 Hz in II, Beispiel 2), kann die maximale Steuerspannung von +3,3 V angelegt werden.

Beispiel für die Frequenzmodulation:

Einstellung einer Grundfrequenz von 2 kHz und einer externen Steuer-Gleichspannung von - 1 V führen zur Mittenfrequenz von 200 Hz. Überlagerung der Steuer-Gleichspannung mit einer Wechselfspannung von 1 V_{ss} ergibt eine Frequenzmodulation in den Grenzen von 20 Hz und 2 kHz, Beispiel 3.



Beispiel für den Teilbereich II (x100); die beiden anderen Bereiche ergeben sich ähnlich bei gleicher Steuerspannung U_c.

Notice d'emploi

1. GENERALITES

1.1. INTRODUCTION

Le générateur de fonctions PM 5131 est un appareil conçu pour des applications allant du secteur éducatif au secteur général.

Il délivre des signaux de sortie sinusoïdaux, triangulaires et rectangulaires, dont la fréquence est réglable en trois gammes logarithmiques de 0,1 Hz à 2 MHz. Le vernier de fréquence permet de faire varier la fréquence de -20% à $+20\%$.

La tension de sortie est réglable de façon continue jusqu'à 30 Vcc et peut être atténuée en échelons de 10 dB à 60 dB.

Une tension de sortie continûment réglable peut être sélectionnée séparément, ou le cas échéant, utilisée comme tension continue d'offset additionnée au signal de sortie sélectionné.

Le générateur permet le balayage sur plus de 3 décades (gamme réglable) et un temps de balayage variable entre 10 et 150 secondes. Il sera donc possible de couvrir la gamme de fréquence audio de 20 Hz à 20 kHz en un balayage continu. De plus, le balayage externe et la modulation en fréquence sont possibles.

Pour des applications TTL une sortie séparée est disponible.

La structure ergonomique des commandes et des douilles permet de manipuler l'appareil d'une façon commode.

1.2. CARACTERISTIQUES TECHNIQUES

Caractéristiques de sécurité

Cet appareil a été construit et essayé suivant les spécifications de sécurité classe I de la publication IEC 348, spécifications de sécurité pour appareils de mesure électroniques, et est livré à sortie d'usine avec ces conditions de sécurité. Ce manuel contient différentes informations et consignes qui doivent être suivies afin d'obtenir un fonctionnement fiable et de maintenir l'appareil dans cet état.

Caractéristiques des performances, spécifications

Les valeurs numériques avec données de tolérances sont garanties par le constructeur. Les valeurs numériques sans tolérances représentent des valeurs moyennes et ne sont mentionnées qu'à titre d'information. Les spécifications ci-après sont valables pour la température de référence de 23°C et après 30 minutes de mise en fonctionnement. Sauf autres mentions, les tolérances absolues et relatives sont données par rapport à la valeur ajustée.

1.2.1. Fréquence

Gamme de fréquence	0,1 Hz - 2 MHz
Gammes sélectionnées I	0,1 Hz - 200 Hz
II	10 Hz - 20 kHz
III	1 kHz - 2 MHz
Caractéristique	Logarithmique
Réglages	<ul style="list-style-type: none"> – trois boutons-poussoirs de gamme – cadran à échelle logarithmique – commande de réglage fin
Indication de fréquence	Echelle logarithmique sur l'écran
Erreur de réglage	$< \pm 10\%$
Réglage de fréquence par vernier	-20% à $+20\%$ du réglage sur l'écran
Coefficient de température	$< 0,5\%/K$
Dérive à court terme	$< 1,5\%$ en 15 minutes
Dérive à long terme	$< 3\%$ en 7 heures

1.2.2. Sortie

Connexion	Douille BNC
Impédance	50 Ω
Capacité de charge	Résistant aux courts-circuits
Formes d'onde	Sinusoïdale, triangulaire, rectangulaire; symétrique en tout temps; avec ou sans offset continu. Tension continue sans élément alternatif.
Tension en circuit ouvert:	
– gamme de réglage	3 V _{CC} ... 30 V _{CC} réglable continûment
– valeur maximale	± 15 V
Tension continue d'offset	
– bouton PUSH FOR ZERO en position tirée, tension en circuit ouvert	-10 V ... +10 V, réglable continûment
– boutons PUSH FOR ZERO et WAVE FORM DC enfoncé	< 50 mV
Atténuation	
– continu	0 ... 20 dB (voir tension en circuit ouvert 3 V _{CC} ... 30 V _{CC})
– fixe	0 à 60 dB en échelons de 10 dB
Distorsion (sinusoïdale)	< 0,5 % dans les gammes I, II < 3 % dans la gamme III
Linéarité (triangulaire)	mieux que 99,5 % dans les gammes I, II
Temps de montée, temps de descente (rectangulaire)	< 75 ns
Dépassement et suroscillation (rectangulaire)	< 2 %
Réponse en amplitude (sinusoïdal; valeur de référence 1 kHz)	< 0,1 dB dans les gammes I, II < 0,3 dB dans la gamme III < 1 MHz < 1 dB dans la gamme III \leq 2 MHz (tension en circuit ouvert 3 ... 30 V _{CC} , charge 50 Ω , atténuation 0 dB)

1.2.3. Sortie TTL

Connexion	Douille BNC
Facteur de marche	50 %
Sortance	20 entrées TTL

1.2.4. Commande de fréquence**1.2.4.1. Balayage interne**

Mode de balayage	Simple
Caractéristique de balayage	Logarithmique
Gamme de balayage (rapport f marche/f arrêt)	1 ... 2000 (1 ... 2.10 ³) réglable continûment
Période de balayage (temps de balayage)	\leq 10 ... 150 s continûment variable
Sortie de tension de balayage (tension analogique)	
– connexion	Douille BNC
– facteur d'échelle	1 V/décade de fréquence

1.2.4.2. Balayage externe ou modulation de fréquence

Connexion	Douille BNC SWEEP VOLTAGE (tension de balayage)
Caractéristique tension/fréquence	Logarithmique

Gamme de balayage maxi	Sous-gamme totale, I, II ou III
Sensibilité	1 V/décade de fréquence
Impédance d'entrée	1 k Ω
Fréquence de modulation maxi	env. 5 kHz
1.2.5. Alimentation	Tension alternative
Valeur de référence	230 V
Valeurs nominales	115 V/230 V à sélectionner par cavaliers
Gamme de fonctionnement nominale	$\pm 15\%$ de la valeur sélectionnée
Limites de fonctionnement	$\pm 15\%$ de la valeur sélectionnée
Gamme de fréquence nominale	50 - 100 Hz
Gamme de fréquence limite	47,5 - 105 Hz
Puissance absorbée	21 W
1.2.6. Conditions d'environnement	
<i>Température ambiante</i>	
Valeur de référence	23 °C \pm 1 °C
Gamme nominale	+5 à +40 °C
Gamme de stockage et de transport	-40 °C à +70 °C
<i>Humidité relative</i>	
Gamme de référence	45 à 75 %
Gamme nominale de travail	20 à 80 %
<i>Pression d'air</i>	
Valeur de référence	1013 mbar (\approx 760 mm Hg)
Gamme nominale de travail	800 à 1066 mbar jusqu'à 2200 m d'altitude
<i>Déplacement d'air</i>	
Valeur de référence	0 à 0,2 m/s
Gamme nominale de travail	0 à 0,5 m/s
<i>Position de travail</i>	verticale sur les pieds ou inclinée reposant sur la poignée rabattue
<i>Temps de chauffage</i>	30 minutes
1.2.7. Coffret	
Type de protection (voir DIN 40 050)	IP 20
Classe de protection	Classe I, conducteur de terre
Dimensions totales	
– hauteur	140 mm
– largeur	310 mm
– profondeur	330 mm
Poids	environ 4,5 kg
1.3. ACCESSOIRES	
1.3.1. Standard	Notice d'emploi et d'entretien Fusible et plaquette de tension
1.3.2. Option	PM 9585: résistance terminale 50 Ω , 1 W PM 9581: résistance terminale 50 Ω , 3 W PM 9075: câble coaxial BNC–BNC

1.4. DESCRIPTION DU SCHEMA SYNOPTIQUE (voir Fig. 1., schéma synoptique)

L'oscillateur du générateur de fonctions est composé d'un intégrateur et d'un détecteur de crêtes (comparateur). La source de courant réglée dans la section de commande en continu délivre le courant de charge pour l'intégrateur. A la sortie de cet intégrateur, une tension linéaire est conduite au détecteur de crêtes. Au moment où la tension de référence est atteinte, le détecteur inverse le courant de charge de l'intégrateur, de sorte que l'intégration a lieu infersément. L'intégration vers le bas a lieu jusqu'à ce que le niveau de référence négatif est atteint; alors, le détecteur de crêtes inverse à nouveau le courant de l'intégrateur. Comme les deux niveaux de référence sont symétriques par rapport à la terre, une onde triangulaire symétrique au zéro est délivré à la sortie de l'intégrateur. La facteur de marche de cette onde est 1 : 1.

Le courant de sortie de la source réglée dépend des positions du cadran de fréquence et de la commande FREQUENCY OFFSET. La fréquence résultante de l'oscillateur est déterminée par ce courant ainsi que par le condensateur intégrant dans l'intégrateur. Plusieurs condensateurs sont commutées par les boutons-poussoirs FREQUENCY Hz. La commande de fréquence interne de l'oscillateur principal pour balayage simple se fait à l'aide de la commande SGL SWEEP. Le gamme de balayage est réglable à l'aide du bouton SWP STOP/START. Le bouton SWP PERIOD permet de régler le temps de balayage. La tension instantanée (de balayage) pour une fréquence différente de l'oscillateur est disponible à la douille SWP VOLTAGE IN/OUT. Par cette douille il est possible de réaliser le balayage externe ou la modulation de fréquence. Le rapport tension-fréquence est logarithmique, en fonction de la caractéristique de transfert de la source de courant réglée.

Le commutateur WAVE FORM permet de sélectionner les formes d'onde suivantes: une onde triangulaire de l'intégrateur, une onde rectangulaire du détecteur de crêtes ou une onde sinusoïdale du circuit conformateur d'ondes sinusoïdales. Le signal est conduit à la douille OUTPUT par le potentiomètre AMPLITUDE, l'amplificateur et l'atténuateur.

La commande DC OFFSET permet d'ajouter une tension continue au signal en position tirée du bouton PUSH FOR ZERO. Si seule la tension continue est requise, un élément alternatif du signal de sortie peut être mis hors service en enfonçant le bouton-poussoir DC du sélecteur d'ondes.

Un signal sinusoïdal du détecteur de crêtes est appliqué à la douille TTL OUT par l'intermédiaire du tampon TTL.

L'alimentation stabilisée fournit les tensions continues pour les circuits.

2. INSTRUCTIONS POUR L'INSTALLATION

2.1. INSPECTION INITIALE

Sortez l'appareil hors de son emballage et assurez vous qu'il est complet et qu'il n'y a pas eu de dommages en cours de transport. En cas de dommages ou d'insuffisances, ou si la sécurité de l'appareil est mise en doute, une réclamation doit être adressée directement au transporteur. De plus, il faudra également avertir une organisation de vente ou de service Philips afin de faciliter le procédé de réparation ou de remplacement.

2.2. CONSIGNES DE SECURITE

À la livraison, l'appareil est conforme aux consignes requises de sécurité, voir chap. 1.2. Pour maintenir cet état et afin d'assurer un fonctionnement sûr, il faut observer les instructions suivantes.

2.2.1. Entretien et réparation

Défauts et contraintes excessives:

Lorsque l'appareil est suspecté de n'être plus sûr, le mettre hors de service en prévoyant sa remise en état. Ce cas se présente si l'appareil

- a subi des endommagements mécaniques
- ne fonctionne plus
- a été soumis à des contraintes dépassant les limites tolérables (p. ex., pendant stockage et transport)

Démontage de l'appareil: Lors de démontage des couvercles et d'autres pièces à l'aide d'outils, des bornes et des éléments sous tension sont exposés sans protection. Avant de démonter l'appareil, le déconnecter de toutes sources de tension.

L'étalonnage, l'entretien et la réparation de l'appareil démonté doivent être uniquement accomplis par un spécialiste en observant les précautions nécessaires.

Après déconnexion de toutes les sources de tension, les condensateurs dans l'appareil peuvent demeurer chargés pendant quelques secondes.

2.2.2. Mise à la terre

Avant de procéder à toute autre connexion l'instrument doit être connecté à la terre par l'emploi d'un cordon secteur à trois conducteurs.

La fiche secteur ne doit être introduite que dans une prise à contact de terre. La mise à la terre ne doit pas être éliminée par l'emploi, par exemple, d'un câble prolongateur sans conducteur de terre.


Les contacts externes des douilles BNC ne doivent pas être utilisés pour brancher un conducteur de terre.

ATTENTION: Toute interruption de la ligne de terre, à l'intérieur ou à l'extérieur de l'instrument, tout débranchement de la borne de terre peut rendre l'instrument dangereux. L'interruption intentionnelle de la ligne de terre est formellement interdite.

2.2.3. Contacts de raccordement

Les contacts extérieurs des douilles BNC correspondent au potentiel du point zéro du circuit interne et sont reliés au boîtier via un raccordement résistance-condensateur en parallèle. De cette façon, on évite les ronflements et on assure avec certitude un raccordement de terre HF du circuit interne.

Au cas où dans un ensemble de mesure, le potentiel du point zéro du circuit est différent du potentiel de la terre de protection il faut prendre en considération:

- que les douilles BNC sont accessibles et ne doivent pas être dangereuses à manipuler, voir les signes de sécurité (VDE 0411)
- que toutes les douilles avec le signe  sont reliées entre elles de façon interne.

2.2.4. Adaptation à la tension secteur, fusibles

Avant d'introduire la fiche secteur dans la prise secteur, s'assurer que l'instrument est adapté à la tension locale du secteur.

L'adaptation à la tension locale doit être uniquement accomplie par un spécialiste en observant les précautions nécessaires.

ATTENTION: Si la fiche secteur doit être adaptée aux spécifications locales, cette modification doit être uniquement accomplie par un spécialiste.

En cas de remplacement, les fusibles de rechange seront correctement calibrés et d'un modèle adéquat. Il faut éviter d'utiliser des fusibles réparés ou de court-circuiter des porte-fusibles.

Le remplacement du fusible doit être uniquement accompli par un spécialiste en observant les précautions nécessaires.

ATTENTION: En cas de remplacement d'un fusible ou d'adaptation à une autre tension secteur, l'instrument sera débranché de toute source de tension.

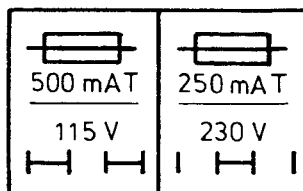
2.3. ADAPTATION A LA TENSION SECTEUR, FUSIBLES

Les règlements de sécurité du chapitre 2.2.4. doivent être observés.

Lors de la livraison d'usine, l'appareil est réglé pour 230 V (PM 5131) resp. 115 V (PM 5131 M).

Au cas où l'appareil doit être alimenté par une tension différente, procéder comme suit:

- Débrancher la fiche secteur
- Placer la poignée en haut sur l'appareil; à cette fin, enfoncer les boutons de la poignée
- Desserrer la vis centrale à l'arrière de l'appareil
- Démontez le boîtier
- Ressouder les pontets à souder selon le schéma de connexion que se trouve sur la partie inférieure de l'appareil



- Eventuellement change le fusible fourni et la plaquette de tension secteur
- Fermer l'appareil

2.4. POSITION DE FONCTIONNEMENT DE L'APPAREIL

L'appareil peut être utilisé dans les positions indiquées en chapitre 1.2. 6. Avec poignée rabattue, l'appareil peut être utilisé en position inclinée; à cette fin, enfoncer les boutons de la poignée.

Les spécifications conformément au paragraphe 1.2. ne sont garanties qu'en positions indiquées.

Il n'est pas recommandé de placer l'instrument en plein soleil ou sur une surface produisant de la chaleur.

2.5. DEMONTAGE DE L'APPAREIL


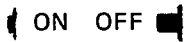
- Débrancher la fiche secteur
- Placer la poignée en haut sur l'appareil; à cette fin, enfoncer les boutons de la poignée
- Desserrer la vis centrale à l'arrière de l'appareil
- Démontez le boîtier

2.6. ELIMINATION DU RAYONNEMENT

L'appareil a été soigneusement protégé contre les parasites et contrôlé suivant les techniques de protection contre les rayonnements parasites. Par raccordement à d'autres unités de base et périphériques non fiables en ce qui concerne le rayonnement, il y a lieu dans certains cas de prendre des mesures concernant le déparasitage:

3. MISE EN SERVICE

3.1. COMMANDES ET DOUILLES

Légende	Repère	Fonction
POWER ○ ON ● OFF	251	Commutateur secteur, point blanc indiquant la position enclenchée
WAVE FORM 	252/5 à 252/7	Boutons-poussoirs pour forme d'onde requise: sinusoïdale, triangulaire ou rectangulaire
FREQUENCY Hz x1 x100 x10k	252/1 à 252/3	Sélecteurs de la gamme de fréquence 0,1 - 200 Hz, 10 Hz - 20 kHz, 1 kHz - 2 MHz
.1 ... 200 (échelle logarithmique)	650	Cadran pour réglage de fréquence gros continu
FREQ. OFFSET -20 % ... +20 %	651	Cadran pour réglage de fréquence fin continu
ATTENUATION 10 dB 20 dB 30 dB	252/9 à 252/11	Boutons-poussoirs pour réglage de l'atténuation fixe; 40 - 60 dB par combinaison de boutons-poussoirs
AMPLITUDE 3 V _{pp} ... 30 V _{pp}	821	Bouton pour réglage d'amplitude continu du signal de sortie
DC	252/8	Bouton-poussoir pour déclenchement de la portion alternative du signal
DC OFFSET -10 V ... +10 V	822	Bouton pour réglage continu de tension continue
PUSH FOR ZERO	822	Tirette pour addition de la tension continue au signal de sortie
OUTPUT	200	Douille de sortie BNC pour signal
TTL OUTPUT	201	Douille de sortie BNC pour le signal TTL
SGLE SWEEP 	252/4	Bouton-poussoir pour démarrage d'une période de balayage simple
SWP VOLTAGE 1 ... 2000	653	Bouton pour réglage de la fréquence d'arrêt (rapport fréquence arrêt/marche)
SWP VOLTAGE IN/OUT 1 V/FREQ DEC	202	Douille d'entrée/sortie BNC pour tension analogique de fréquence
SWP PERIOD ≤ 10 s ... 150 s	652	Bouton pour réglage du temps de balayage

3.2. FONCTIONNEMENT

3.2.1. Réglage de la tension sur la douille OUTPUT

L'amplitude du signal de sortie est réglable en continu par la commande AMPLITUDE.

Avec bouton DC relâché et bouton PUSH FOR ZERO tiré, une tension continue positive ou négative, continûment réglable peut être additionnée au signal de sortie. En position enfoncée du bouton DC, la portion alternative du signal de sortie est éliminée et seule la tension continue appliquée à la sortie.

Le signal de sortie et l'offset en continu peuvent être atténués en échelons de 10 à 60 dB. Pour 10 à 30 dB, des boutons-poussoirs séparés sont disponibles. Des atténuations de 40 et 50 dB sont sélectionnées par l'actionnement de plusieurs boutons-poussoirs. Pour 60 dB les trois boutons doivent être enfoncés.

Remarque: L'amplificateur de sortie pourrait être surchargé à la suite de l'addition du signal et de l'offset en tension continue. Afin d'éviter la limitation, la valeur de crête de la tension sortie en circuit ouvert ne doit pas dépasser de +15 V (atténuateur par échelons réglé sur 0 dB).

3.2.2. Réglage de la fréquence

Trois commandes sont disponibles pour régler la fréquence de base:

- cadran à échelle logarithmique
- sélecteur de gamme FREQUENCY Hz
- commande vernier FREQ OFFSET

L'affichage multiplié par le facteur choisi sur le sélecteur de gamme représente la fréquence. De plus, il faut tenir compte de l'écart de fréquence réglé à l'aide de la commande FREQ OFFSET.

La fréquence sélectionnée représente:

- la fréquence du signal de sortie bouton SGLE SWEEP relâché
- la fréquence du signal avec 0V bouton SGLE SWEEP enfoncé
à la douille SWP VOLTAGE
IN/OUT
- la fréquence de démarrage du mode de balayage simple

3.2.3. Balayage simple interne

La balayage simple interne de la fréquence marche-arrêt est démarré en enfonçant le bouton SGLE SWEEP. La caractéristique est exponentielle selon la formule

$$f_0 = f_{\text{START}} \cdot 10^{U_c/V}$$

f_0 étant la fréquence instantanée à la sortie,

f_{START} la fréquence au début du balayage, représentée par le réglage de la fréquence; voir 3.2.2.

U_c la tension à la douille SWP VOLTAGE IN/OUT

De la sorte, une différence de tension de commande de 1 V résulte en un rapport de fréquence 10 : 1.

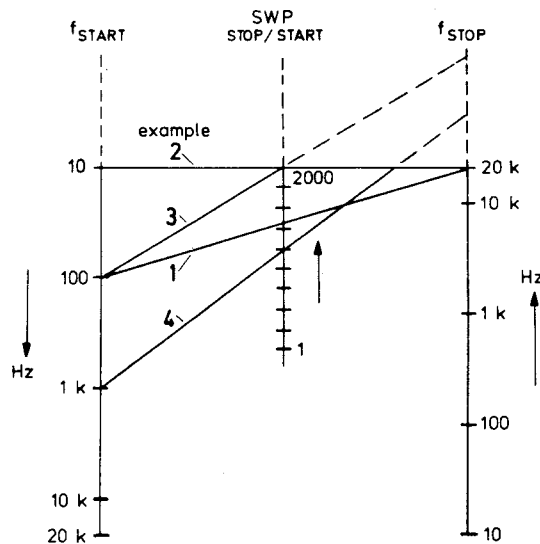
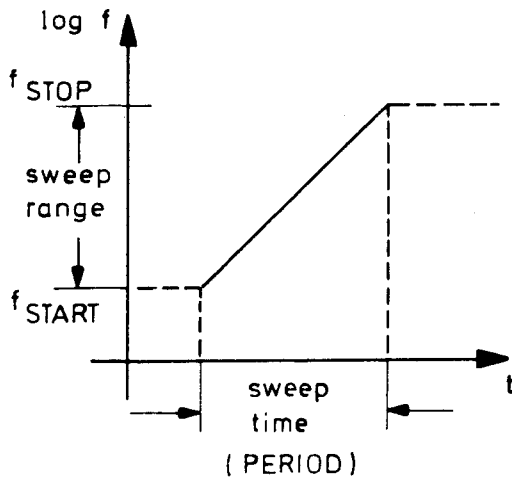
A la fin du balayage la sortie reste à la fréquence d'arrêt, laquelle est réglable à l'aide de la commande SWP STOP/START. Lorsque le bouton SGLE SWEEP est relâché, la fréquence est retournée à la fréquence de démarrage. Le temps de balayage est réglé à l'aide du potentiomètre SWP PERIOD. Le pré-réglage de la fréquence d'arrêt peut être réalisée à la fin du balayage pendant un temps minimal avant de procéder au réglage du balayage final.

Veillez noter:

Le balayage sera obtenu uniquement dans l'étendue de la sous-gamme concernée. Il est évident, que la commande SWP STOP/START doit être placée à une valeur n'excédant pas la fréquence la plus élevée de la sous-gamme (soit 20 kHz en II), voir exemple 1 du diagramme.

C'est seulement lorsque la fréquence de démarrage se situe dans la limite inférieure de la sous-gamme (soit 10 Hz en II, exemple 2), que le rapport maximum de balayage de 2000 : 1 peut être obtenu.

Les conditions prévues aux exemples 3 et 4 conduisent à un dépassement du fonctionnement correct ce qui signifie une limitation en fréquence avec distorsion du signal.



Exemple pour la sous-gamme II (x 100)
les deux autres gammes seront considérées
de façon similaire.

3.2.4. Balayage externe et modulation de fréquence

Le bouton SGLE SWEEP doit être relâché.

La fréquence du générateur peut être contrôlée au moyen d'une tension extérieure appliquée au connecteur SWP VOLTAGE IN/OUT. La fréquence du générateur varie de façon exponentielle par rapport à la tension de commande (1 décade/1 V) comme décrit au chapitre 3.2.3.

A l'intérieur des gammes de fréquences certaines limitations doivent être observées:

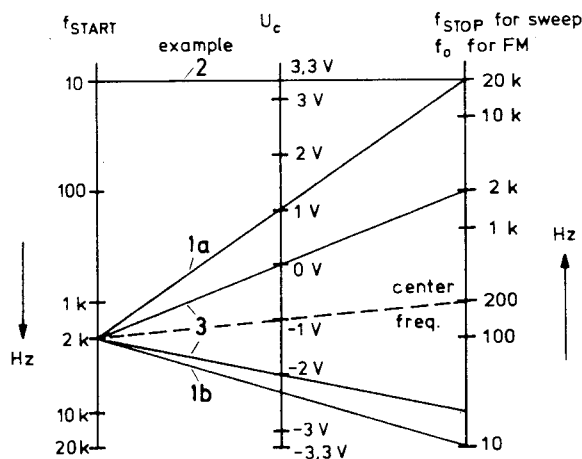
La fréquence de démarrage limite la tension externe de commande. Une fréquence de démarrage de 2 kHz par exemple, représente une gamme de balayage maximum de 1 décade pour atteindre la fréquence la plus élevée et correspond à une tension de commande de +1 V, exemple 1 a du diagramme.

En descendant aux fréquences les plus basses, une tension maximum de -2,3 V est tolérée de façon à ne pas dépasser la fréquence d'arrêt de 10 Hz, exemple 1 b.

Au cas où la fréquence de démarrage se situe à la limite inférieure de la sous-gamme (soit 10 Hz en II, exemple 2), la tension maximum de commande utilisée sera de +3,3 V.

Exemple pour modulation de fréquence:

Le réglage de la fréquence de base à 2 kHz et l'application d'une tension de commande externe de -1 V ont pour résultat une fréquence centrale de 200 Hz. La superposition d'une tension de contrôle ac de 1 Vpp produit une modulation de fréquence dans les limites 20 Hz à 2 kHz, exemple 3.



Exemple pour la sous-gamme II (x 100)
les deux autres gammes seront considérées
de façon similaire, l'échelle U_c reste identique.

Service part

4.1. CIRCUIT DESCRIPTION PM 5131

4.1.1 Control section

Basic task of the control section is to generate the frequency determining control currents for the oscillator. Inputs of the control section are currents derived from the FREQUENCY potmeter 650, the FREQUENCY OFFSET potmeter 651, the SWEEP STOP/START potmeter 653 and the SWEEP VOLTAGE input socket. These currents are summed up at the non-inverting input of OP 417.2 and conducted to resistor 671 establishing the input control voltage V_c of the exponential voltage-to-current converter comprising OP 417.1, transistor 312 and two transistors on the array 420. This converter generates two currents I_p and I_n of nearly the same magnitude following the relation

$$I_p \approx I_n \sim \exp(V_c/V_T) \quad \text{whereby } V_T \approx 28 \text{ mV.}$$

The operational principle of this circuitry may be explained with the aid of fig. 4.1 - 1

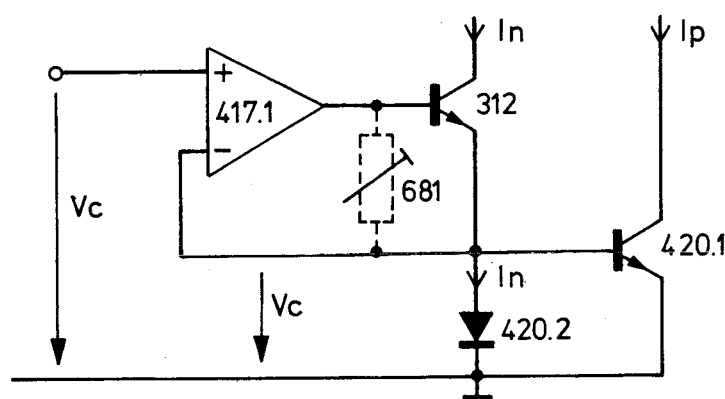


Fig. 4.1 - 1 exponential converter principle

Between the non-inverting and the inverting OP inputs, the circuitry comprising OP 417.1 and transistor 312 represents a voltage follower applying V_c as forward voltage to the diode 420.2. The diode current I_n equals the collector current of 312 apart from the bias current of the inverting OP input and the base current of transistor 312 acting as leakage currents. However, these leakage currents are compensated by the current through potmeter 681. Consequently, the characteristic I_n versus V_c of the whole circuitry is like the logarithmic d.c. characteristic of the diode which itself is identical with the mathematical relation presented before.

For frequency dial setting '0.1' I_n is about $1\mu\text{A}$. The corresponding lower V_c limit is derived from the currents through 665 and 667 fed to the summing input of OP 417.2 and transferred to 671. This basic V_c magnitude depends on the potmeter 666 setting and is sensitive to ambient temperature variations with about -2mV/K achieved by diode 420.3. This is necessary to compensate the same temperature coefficient of diode 420.2 in the exponential converter for the lower current limit. At the upper frequency and corresponding with frequency dial setting '200', I_n is about 2mA . The higher V_c is derived from the current through 650, 655 and 665, set by potmeter 664. This current is provided with a small positive temp. coeff. by 657 and 649 in the long-tailed resistance arrangement between the positive supply voltage and the FREQUENCY potentiometer wiper. By this the slightly decreasing temp. coeff. of the exponential converter with increasing output currents is taken into account.

Returning to fig. 4.1 - 1 it can be seen that besides of I_n an additional output current I_p is generated by the exponential converter. I_p is approximately proportional but only roughly matched with I_n . Because the oscillator needs I_n directly and a second input current with identical magnitude flowing into the oscillator from the positive side, I_p is mirrored by the circuitry comprising the transistors 313 and 314 and corrected by the regulator circuitry with transistors 315 and 316. This regulator derives its input voltage from the virtual ground terminal of the integration capacitors in the quadruple switch array of the oscillator.

For internal **sweep control** a positive going ramp is generated at the collector of 311 by the simple integrating circuitry, comprising transistor 311 and integrating capacitor 503. The portion of this ramp voltage picked up at the wiper of the STOP/START potentiometer 653 defines the sweep range in terms of stop/start frequency ratio. The duration of the generated ramp can be set by the SWEEP PERIOD potentiometer defining the integrator input current and hence the ramp slope.

4.1.2 Oscillator

At emitter 327 the oscillator outputs a 10 Vpp triangular wave which is symmetrical with respect to ground. Simultaneously a phase coherent 6 Vpp square wave (transitions coincident with triangular wave peaks) is outputted at wiper of trimpot 732. The frequency determining two input currents of equal magnitude ranging from 1 μ A to 2mA in each frequency sub-range are fed in from the control section.

At fixed frequency these currents are constant d.c. currents one coming from the positive the other flowing to the negative supply voltage. These dc currents are alternately conducted to one of the integrating capacitors 512/513, 515 or 517 depending on the frequency sub-range selected. The switching function is performed by the transistors 320 - 323. The resulting triangular wave is picked up by the high ohmic isolation amplifier comprising transistors 324, 326 and 327 and outouted to the internal triangular wave output. The switching-over points of the transistor array 320 - 323 at the triangular wave peaks are determined by the two-level detector including transistors 329 - 332. At base 329 the two switching levels of this circuitry are about +1.95 V and -1.95 V, corresponding with the 10 V peaks at emitter 327 decreased by the voltage divider 710/713. The switching levels are determined by nearly the same square wave levels at base 320 generated by the two level detector circuitry itself. A smaller portion of this detector reference voltage from divider 718/719 serves for switching the transistors 320 - 323. A separate 6 Vpp square wave collector output of the two level detector is routed by the isolation amplifier comprising transistors 334 and 335 to the internal output and to the TTL output stage 336.

The following basic expression for defining the oscillator frequency is valid:

$$f = \frac{I}{2VC}$$

with

$V = 10V \hat{=}$ triangular wave amplitude p - p

$C = 47pF$ or $4.7nF$ or $470nF \hat{=}$ integrating capacitor

$I = 1\mu A \dots 2mA \hat{=}$ input control current

At the upper frequency end the propagation delay times of the transistor switching array, the isolation amplifier and the two-level detector, if not compensated, would result in increasing amplitudes and, hence, negative frequency setting errors. Delay compensation is performed by the lead circuit 710, 520, 713.

The following oscillator adjustment positions are provided:

- 720 defining triangular wave amplitude, hence frequency also, and offset
- 723 defining triangular wave offset (adjustment after 720) and to a smaller extend the amplitude; adjustment iterative with 720.
- 732 defining the output square wave offset
- 512 defining frequency accuracy in the 2MHz sub-range after amplitude adjustment by 720 and frequency adjustment in the 20 kHz sub-range by the control section trim pots.

4.1.3 Sine shaper

The triangular oscillator voltage is shaped to sinusoidal wave form by the sine shaper IC 0Q011. Trim pots 808 and 812 serve for minimizing the output signal distortion. The output LRC-low pass filter improves the signal shape at the upper frequency end of the oscillator. By trim pot 814 the amplitude response is adjusted. The sine wave is outputted by the isolation amplifier comprising transistors 350 and 351 and d.c. offset trim pot 816.

4.1.4 Amplifier, attenuator

One of the internally generated signals are selected by the wave form switches 252/5/6/7 and routed to the amplitude potmeter 821. The following inverting amplifier basically consists of a complementary high gain cascode stage including the transistors 352 - 354 and a buffered complementary emitter follower output stage. Overall voltage gain mainly is defined by the ratio of feedback resistor 831 to input resistor 820. Feedback trimmer 556 determines the square wave shape and the amplitude response flatness at the upper frequency end. Trim pot 824 serves for zero offset adjustment, when the DC OFFSET potentiometer 822 is switched off.

The output attenuator comprises three resistor dividers by-passed or switched on in any combination through switches 252/9/10/11.

4.1.5 Power supply

The highly stable bipolar 22V supply voltages are generated from the rectifier 440 output voltages by two four-terminal regulators 441 and 442. The voltages are adjusted by the feedback trim pots 781 and 784. Because the frequency adjustments in the control section and the oscillator are to some extent dependent on the supply voltages, adjustments of these voltages must be performed before; they must be accurate to within $\pm 0.1V$.

4.2. ACCESS TO PARTS

Before dismantling the instrument, the safety regulations in accordance with para. 2.2. must be strictly observed.

4.2.1. Cabinet, see 2.5.

4.2.2. Knobs

- Remove the cap from the knob.
- Unscrew the nut and remove the knob.
- When replacing the knob, ensure that the white mark is correctly aligned with the text plate markings.

4.2.3. Text plate

- Remove the cabinet, see 2.5.
- Remove the turn-knobs, see 4.2.2.
- Remove the dial
- Remove the plastic cover of the mains switch.
- The text plate can now be removed.

Be careful:

The textplate is fitted to the frontplate by double sided adhesive tape.

4.2.4. Pushbutton unit

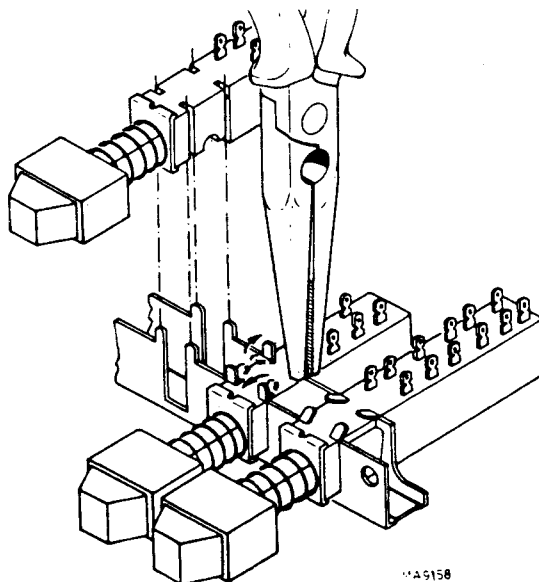
Replacing a pushbutton lever.

The single pushbutton lever can be replaced from the front.

- Push the spring towards the pushbuttons.
- Remove the wire strap and/or lift the plastic reed between the contacts.
- Carefully tear the pushbutton lever out of the pushbutton.

Replacing a switch of the pushbutton unit

- Straighten the 4 retaining lugs of the relevant switches as shown in the figure below.
- Break the body of the relevant switch by means of a pair of pliers and remove the pieces. The soldering pins are then accessible.
- Remove the soldering pins and clean the holes in the printed circuit board (e. g. with a suction soldering iron).
- Bend the 4 retaining lugs back to their original positions.
- Solder the new switch on to the printed circuit board.



4.3. CHECK AND ADJUSTMENT

4.3.1. General

- The limits mentioned in this paragraph are valid only for a newly adjusted instrument and therefore might deviate from the values as stated in paragraph 1.2. "Technical Data".
- Adjustment of the instrument is only permitted after a warm-up time of at least 30 minutes at an ambient temperature of $(+23 \pm 3) ^\circ\text{C}$ and when connected to a mains voltage of $230 \text{ V} \pm 5 \%$. The cabinet must be closed.
- The printed circuit board is mounted overhead. Nevertheless all trimming potentiometers and capacitors are accessible from the top. For adequate temperature stability during adjustment, the cabinet should be removed only for a short time and so far that the required adjusting element is just accessible.
- If not explicitly stated otherwise, the voltage potentials refer to the relevant contact measured against circuit earth (\perp).
- The following abbreviations are used for setting and measuring instruments:

X	= Button pressed	
–	= Button not pressed/unlocked	
o	= Button only tipped	
rh	= extreme right-hand position	
lh	= extreme left-hand position	
m	= mid-position	
ml	= position in the middle between m and lh	
OSC	= Oscilloscope	e.g. PM 3055
C	= Counter	e.g. PM 6665
Fg	= Function generator	e.g. PM 5132
DA	= Distortion analyzer	e.g. HP 333 A
DM	= Digital multimeter	e.g. PM 2534
50 Ω	= 50 Ω terminating resistor	e.g. PM 9585


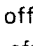
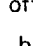

4.3.2. Preparations

- All trimming potentiometers and capacitors in mid-position; (only for completely new adjustment).
 - Turn dial potentiometer to extreme counter clockwise position.
 - For instruments up to LO 07... : Position dial such that the 0.1 graduation on the dial is positioned 8 mm left to the text plate mark.
 - For instruments onwards LO 08 ... : Position the adjustment mark on the dial to the text plate mark.
- Solder joints A, B, C, D must be closed. To be opened for failure detection only.
- Terminate the OUTPUT by a 50 Ω resistor.

4.3.3. General functional test

- Actuate all buttons one after the other for rough functional test of the generator by means of an oscilloscope connected to the OUTPUT socket.
- Control the TTL output.
- Roughly control the output voltage at the SWP VOLTAGE socket during the internal sweep.

4.3.4 . . . Table of checks and adjust

Seq.	FREQUENCY				Syst-Sht	measured quantity	measured value	remarks	
	dial	range							Ctrl
		x1	x100	x10k					
	650	252/1	/2	/3					
1.	<u>Power supply</u>								
1.1	10		x		Vdc	+22 ±0.1V			
1.2	10		x		Vdc	-22±0.1V			
1.3	10		x		Vdc	+33 ±1V			
1.4	10		x		Vdc	-33 ±1V			
2	<u>controlled current source, osc</u>								
2.1	10		x		Vpp	10 ±0.1V			
2.2	10		x		Vdc	0 ±0.05V	after this repeat 2.1.		
2.3	0.1		x		period time T	10 T ₁		T ₁ = period time	
2.4	1		x		T	10 ±0.1ms		at scale mark 1	
2.5	100		x		f	10 ±0.1kHz		iterative with 2.3, 665 may be altered	
2.6	0.1.. 200		x		f	nom. value ±8 %		check at scale graduations 0.1, 0.3, 1, 3, 10, 30, 100, 200; when exceeding the tolerance, minimize the failure by 666 (shifting the overall transfer characteristic) or by 664 (shifting the upper part of the transfer characteristic)	
2.7	100	x			T	10 ± 0.4 ms			
2.8	10			x	f	100 kHz ±1 %			
2.9	200			x	f	2000 ±150 kHz			
2.10	10		x		f	-20 ±5% +20 ±5 %			
3	<u>sweep control</u>								
3.1	0.1		x		f	18.27kHz < 10s	stop frequency sweep time		
3.2	0.1		x		t	150 -20s +50s			
3.3	0.1		x		f	10Hz→10kHz			
					Vdc	0V→3±0.3V	check at 10 kHz		
4	<u>sine shaper, amplifier, attenua</u>								
4.1	10		x		Vdc	0 ±20mV			
4.2	10		x		Vdc	-5±0.5 V +5±0.5V			
4.3	50			x		optimal signal performance	rise time ≤ 75 ns		
4.4	10		x		k	< 0.3 %	distortion		
4.5	10		x		Vdc	0 ± 20mV	offset 		
	10		x		Vdc	0 ± 20 mV	offset 		
4.6	100				Vac	ΔU/U < 0.1 dB	bandwidth		
4.7	50			x	k	< 2.8 %	distortion		
4.8	10		x		Vpp	15 ±1V			
4.9	10		x			nom. value ± 0.2 dB	attenuation		
4.10	10		x		Vpp	1,5 ±0.3 V			
5	<u>TTL output</u>								
5.1	0.1		x		V	4.5 ±0.2 V 0 ±0.2 V	TTL level		

4.4. SAFETY INSPECTION AND TESTS AFTER REPAIR AND MAINTENANCE IN THE PRIMARY CIRCUIT

4.4.1. General directives

- Take care that creepage distances and clearances have not been reduced
- Before soldering, wires:
 - should be bent through the holes of solder tags, or wrapped round the tag in the form of an open U, or, wiring rigidity shall be maintained by cable clamps or cable lacing.
- Replace all insulating guards and -plates.

4.4.2. Safety components

Components in the primary circuit may only be renewed by components selected by Philips, see also chapter 4.5.1.

4.4.3. Checking the protective earth connection

The correct connection and condition is checked by visual control and by measuring the resistance between the protective-lead connection at the plug and the cabinet/frame. The resistance shall not be more than 0.5 Ω . During measurement the mains cable should be moved. Resistance variations indicate a defect.

4.4.4. Checking the insulation resistance

Measure the insulation resistance at $U = 500$ Vdc between the mains connections and the protective lead connections. For this purpose set the mains switch to ON. The insulation resistance shall not be less than 2 M Ω .

Note:

2 M Ω is a minimum requirement at 40 °C and 95 % relative humidity. Under normal conditions the insulation resistance should be much higher (10 to 20 M Ω).

4.5. SPARE PARTS

4.5.1. General

Standard Parts

Electrical and mechanical parts replacement can be obtained through your local Philips organisation or representative. However, many of the standard electronic components can be obtained from other local suppliers. Before purchasing or ordering replacement parts, check the parts list for value, tolerance, rating and description.

NOTE:

Physical size and shape of a component may affect instrument performance, particularly at high frequencies. Always use direct-replacement components, unless it is known that a substitute will not degrade instrument performance.

Special Parts

In addition to the standard electronic components, some special components are used:

- Components, manufactured or selected by Philips to meet specific performance requirements.
- Components which are important for the safety of the instrument, marked with 'S' in the parts list.

ATTENTION:

Both type of components may only be replaced by components obtained through your local Philips organisation.

4.5.2. Mechanical parts, miscellaneous, electrical parts not on units

Item	Fig.	Quantity	Order number	Description	
1	3	1	5322 447 94324	cover, grey	
1	3	1	5322 447 90395	cover, brown	
2	3	4	5322 462 44174	foot (bottom side), grey	
2	3	4	5322 462 10222	foot (bottom side), brown	
3	3	2	5322 520 34164	bearing bush	
4	3	2	5322 530 84075	spring	
5	3	2	5322 528 34101	ratchet	
6	3	2	5322 532 54425	ring for handle, grey	
6	3	2	5322 532 51481	ring for handle, brown	
7	3	2	5322 498 54048	arm for handle	
8	3	1	5322 498 54051	carrying handle	
9	3	2	5322 414 64053	knob, grey	
9	3	2	5322 414 30043	knob, brown	
11	3	1	5322 447 94188	back frame	
12	3	4	5322 462 44176	foot (rear side)	
13	-	1	5322 502 14164	coin-slot screw (rear side)	
14	-	1	4822 530 70124	locking washer (rear side)	
15	3	5	5322 414 74014	cover for knob, grey	
15	3	5	5322 414 70017	cover for knob, brown	
16	3	1	5322 414 74042	cover for knob (scale), grey	
16	3	1	5322 414 70043	cover for knob (scale), brown	
17	3	1	5322 459 24076	front frame	
18	3	1	5322 455 84083	textplate, grey	
21	4,5	1	4822 253 30013	fuse 250 mA	*S
22	-	1	4822 253 30017	fuse 500 mA	*S
23	4	1	5322 146 34112	mains transformer	*S
24	4	1	5322 401 14275	cable clamp	*S
25	4	1	5322 321 14048	mains cable 1850	*S
26	4	1	5322 325 60119	pull relief	*S
27	4	1	5322 325 54067	lead-through	*S
28	4	3	5322 405 94178	print holder	
29	3	5	5322 414 34082	knob, grey	
29	3	5	5322 414 30039	knob, brown	
30	3	1	5322 450 20115	dial, mounted grey	*
30	3	1	5322 450 20162	dial, mounted brown	*
31	3	1	5322 414 74047	locating mark, grey	
31	3	1	5322 414 70044	locating mark, brown	
32	3	3	5322 267 10004	BNC connector	
251	3,4,5	1	5322 276 14393	mains switch	*S
34	3	11	5322 414 25851	knob for pushbutton, grey	
34	3	11	5322 414 20033	knob for pushbutt., brown	
35	3	7	5322 276 14271	pushbutton switch	
36	3	4	5322 276 14221	pushbutton switch	
37	5	7	5322 255 44037	heat sink for trans.	
38	5	1	5322 255 44107	IC-socket, 16 pole	
39	-		5322 390 24013	silicon paste DC 340	
40	4	1	5322 121 44028	27N 2x2N7 250 V line filter	*S

*S = safety component (see chapt. 4.5.1.)

Item	Fig.	Quantity	Order number	Description
441	5	1	4822 209 80384	IC 78MVCU1
442	5	1	4822 209 80374	IC 79MVCU1
540	4	1	4822 121 50624	polystyrene foil, 4.7nF
601	4	1	5322 116 50491	metal film 22.6 Ohm
650	4	1	5322 103 60004	potmeter 500 Ohm *
651	4	1	4822 101 20302	carbon potm. 47 kOhm
652	4	1	4822 101 20304	carbon potm. 220 kOhm
653	4	1	5322 101 24145	carbon potm. 4.7 kOhm
821	4	1	4822 101 20297	carbon potm. 2.2 kOhm
822	4	1	5322 101 64005	carbon potm. 10 kOhm + switch

* The old potmeter, item 650, 5322 103 24017, and the assigned dial mounted, item 30, 5322 450 24012, are not available anymore. They were used in instruments up to LO 07...
If one of both items in these instruments is defective, the other item must also be replaced by a new type.

Distinction can be made by the following:

old type, Megatron 500 Ohm, \varnothing 25.5mm, angle of rotation 275°

new type, AB Electronic 500 Ohm, \varnothing 36.5 mm, angle of rotation 340°

4.5.3. Electrical parts

Some parts are listed in chapter 4.5.1.

INTEGRATED CIRCUITS

417	5322	209	86234	NE5532FE	from LO 031001 onward
420	5322	209	85715	CA3086	SELECTED
426,427	5322	209	85559	TDA1034N	until LO 021000
446	5322	209	84778	OQ0011	

TRANSISTORS

311	5322	130	44322	BCY78X
312	4822	130	44196	BC548C
313,315	4822	130	40937	BC548B
314	4822	130	44197	BC558B
316	4322	130	34044	BSV80
320,322	5322	130	44594	2N3964
321,323	4822	130	44196	BC548C
324	4822	130	41024	BF245B
325,326	4822	130	40937	BC548B
327,328	5322	130	44034	2N2219A
329,330	4822	130	40937	BC548B
331,332	4822	130	44197	BC558B
333	5322	130	40021	2N2905
334,336	4822	130	44197	BC558B
335,351	4822	130	40937	BC548B
350	4822	130	44197	BC558B
352,354	5322	130	40468	2N2905A
353,355	5322	130	44034	2N2219A
356	4822	130	40959	BC547B
357	4822	130	44568	BC557B
358	5322	130	44034	2N2219A

COILS

401,402	5322	158	14018	33MUH
445	5322	158	10276	4,7MUH
449	5322	158	10283	150MUH

DIODES

416	5322	130	34321	1N4151
418	4822	130	34488	BZX79-C11
419	4822	130	34233	BZX79-C5V1
421	4822	130	34297	BZX79-B10
422	4822	130	34379	BZX79-B27
423	5322	130	34321	1N4151
424	5322	130	34397	BZX91
425	4822	130	34281	BZX79-C15
429	4822	130	30862	BZX79-B9V1
430	4822	130	34167	BZX79-B6V2
433,434	5322	130	34321	1N4151
435	4822	130	34047	BZX75-C1V4
440	5322	130	32031	SKB2/08/L5A
447,448	4822	130	34195	BZX79-B13
450	4822	130	34048	BZX75-C2V8
451,452	5322	130	34321	1N4151

CAPACITORS

ITEM	ORDERING NUMBER	FARAD	TOL (%)	VOLTS	REMARKS
503	4822 124 20793	470MU		40	ELECTROLYTIC
505,508	4822 124 20476	10MU			ELECTROLYTIC
506	4822 122 31221	1N5	10	100	CERAMIC PLATE
511	5322 121 40323	100N	10	100	POLYESTER FOIL
512	4822 125 50045	2-22P		100	TRIMMER
513	4822 122 31054	10P	2	100	CERAMIC PLATE
514,518	4822 122 31175	1N0	10	100	CERAMIC PLATE
515	4822 121 50539	4N7	1	63	POLYSTYRENE FOIL
517	5322 121 50338	470N	1	100	
519,522	4822 122 30103	22N	-20+80	63	CERAMIC PLATE
520	4822 122 31074	56P	2	100	CERAMIC PLATE
521,523	5322 124 24202	21U2		63	ELECTROLYTIC
542	5322 121 40323	100N	20	100	POLYESTER FOIL
543,544	4822 124 20797	2200MU		40	ELECTROLYTIC
545,546	4822 124 20583	1MU		63	ELECTROLYTIC
547,548	4822 124 20499	221U		40	ELECTROLYTIC
550,552	4822 122 30103	22N	-20+80	63	CERAMIC PLATE
551	5322 121 40323	100N	20	100	POLYESTER FOIL
553	4822 122 31054	10P	2	100	CERAMIC PLATE
555	4822 122 31069	39P	2	100	CERAMIC PLATE
556	4822 125 50062	2-10P		100	TRIMMER
557,558	4822 122 30128	4N7	10	100	CERAMIC PLATE
559-560	4822 122 30103	22N	-20+80	63	CERAMIC PLATE
561, 562	5322 122 30108	100N	10	50	POLYESTER FOIL
565	4822 122 31069	39P	2	100	CERAMIC PLATE
566	4822 122 30045	27P	2	100	CERAMIC PLATE

RESISTORS

ITEM	ORDERING NUMBER	OHM	TOL (%)	TYPE	REMARKS
648	5322 116 54595	5,11K	1	MR25	METAL FILM
649	5322 116 34007	100K	10	NTC	NTC
653	5322 116 54565	1,62K	1	MR26	METAL FILM
654	5322 116 50608	6,19K	1	MR25	METAL FILM
655	5322 116 54453	64,9 **	1	MR25	METAL FILM
656	5322 116 54637	17,8K	1	MR25	METAL FILM
657	5322 116 34058	6,8K	10	NTC	NTC
658	5322 116 50443	12,7K	1	MR25	METAL FILM
659	5322 116 64044	1,1M	5		METAL OXIDE
660	5322 116 50457	215	1	MR25	METAL FILM
661	5322 116 50583	5,9K	1	MR25	METAL FILM
662	5322 116 50484	4,64K	1	MR25	METAL FILM
663	5322 116 50635	1,47K	1	MR25	METAL FILM
664	4822 100 10476	47		LIN	TRIMMING POTM
665	5322 116 50579	3,16K	1	MR25	METAL FILM
666	4822 100 10038	470		LIN	TRIMMING POTM
667	5322 116 50669	205	1	MR25	METAL FILM
668	5322 116 54005	3,32K	1	MR25	METAL FILM
669	5322 116 54597	5,36K	1	MR25	METAL FILM
670	5322 116 54587	3,65K	1	MR25	METAL FILM
671	5322 116 54508	301	1	MR25	METAL FILM
672,678	5322 116 54549	1,0K	1	MR25	METAL FILM
673,674	5322 116 50555	1,27K	1	MR25	METAL FILM
676	5322 116 55277	9,09K	1	MR25	METAL FILM
677	5322 116 54545	909	1	MR25	METAL FILM
679	5322 116 54589	3,83K	1	MR25	METAL FILM
680	5322 116 54549	1,0K	1	MR25	METAL FILM
681	5322 101 14277	4,7M		LIN	TRIMMING POTM

** may be altered

ITEM	ORDERING NUMBER	OHM	TOL (%)	TYPE	REMARKS
701,702	5322 116 54585	3,48K	1	MR25	METAL FILM
703	5322 116 50767	2,15K	1	MR25	METAL FILM
704	5322 116 54585	3,48K	1	MR25	METAL FILM
705	5322 116 50581	2,49K	1	MR25	METAL FILM
706,707	5322 116 54606	7,15K	1	MR25	METAL FILM
708	5322 116 50571	715	1	MR25	METAL FILM
709	5322 116 54835	511	1	MR30	METAL FILM
710	5322 116 54557	1,21K	1	MR25	METAL FILM
711	5322 116 50508	487	1	MR25	METAL FILM
712	5322 116 54562	1,4K	1	MR25	METAL FILM
713	5322 116 54539	806	1	MR25	METAL FILM
714,716	5322 116 50669	205	1	MR25	METAL FILM
715	5322 116 50414	2,87K	1	MR25	METAL FILM
717	5322 116 50729	4,22K	1	MR25	METAL FILM
718	5322 116 54492	178	1	MR25	METAL FILM
719	5322 116 54446	56,2	1	MR25	METAL FILM
720	4822 101 10108	100		LIN	TRIMMING POTM
721	5322 116 54835	511	1	MR30	METAL FILM
722	5322 116 50767	2,15K	1	MR25	METAL FILM
723,732	4822 100 10038	470		LIN	TRIMMING POTM
724	5322 116 50675	2,26K	1	MR25	METAL FILM
725	5322 116 54519	402	1	MR25	METAL FILM
726	5322 116 54472	105	1	MR25	METAL FILM
728,730	5322 116 50767	2,15K	1	MR25	METAL FILM
731,735	5322 116 50664	2,05K	1	MR25	METAL FILM
736	5322 116 54592	4,02K	1	MR25	METAL FILM
737	5322 116 50583	5,9K	1	MR25	METAL FILM
738	5322 116 50524	3,01K	1	MR25	METAL FILM
739	5322 116 50621	536	1	MR25	METAL FILM
740	5322 116 50586	1,54 K	1	MR25	METAL FILM
741	5322 116 54562	1,4K	1	MR25	METAL FILM
742,743	5322 116 54472	105	1	MR25	METAL FILM
744	5322 116 54549	1,0K	1	MR25	METAL FILM
745	5322 116 54571	1,96K	1	MR25	METAL FILM
779	5322 116 54696	100K	1	MR25	METAL FILM
780	5322 116 54571	1,96K	1	MR25	METAL FILM
781,784	4822 100 10075	100		LIN	TRIMMING POTM
782,785	5322 116 54525	511	1	MR25	METAL FILM
783	5322 116 50509	4,87K	1	MR25	METAL FILM
807,809	5322 116 54613	8,66K	1	MR25	METAL FILM
808,812	4822 100 10038	470		LIN	TRIMMING POTM
810	5322 116 54743	301K	1	MR25	METAL FILM
811	5322 116 54549	1,0K	1	MR25	METAL FILM
813,818	5322 116 50509	4,87K	1	MR25	METAL FILM
814	4822 100 10035	10K		LIN	TRIMMING POTM
815,817	5322 116 50414	2,87K	1	MR25	METAL FILM
816	4822 100 10038	470		LIN	TRIMMING POTM
819	5322 116 54608	7,5K	1	MR25	METAL FILM
820	5322 116 50664	2,05 K	1	MR25	METAL FILM
823	5322 116 50679	237	1	MR25	METAL FILM
824	4822 100 10079	47K		LIN	TRIMMING POTM
825	5322 116 54686	75K	1	MR25	METAL FILM
826	5322 116 54646	23,7K	1	MR25	METAL FILM
827,830	5322 116 55482	715	1	MR52	METAL FILM
828,829	5322 116 50527	33,2	1	MR25	METAL FILM
831	5322 116 54624	11,5K	1	MR25	METAL FILM
832,833	5322 116 50493	27,4	1	MR25	METAL FILM
834,836	5322 116 54009	562	1	MR25	METAL FILM
835	5322 116 54637	17,8K	1	MR25	METAL FILM

ITEM	ORDERING NUMBER	OHM	TOL (%)	TYPE	REMARKS
837,838	5322 116 54014	23,7	1	MR25	METAL FILM
839	5322 116 50621	536	1	MR25	METAL FILM
840,841	5322 116 54472	105	1	MR25	METAL FILM
842	4822 116 51152	27	5	PR52	METAL FILM
843,844	5322 116 54348	10	5	PR52	METAL FILM
845,846	4822 116 51152	27	5	PR52	METAL FILM
847	5322 116 54956	24	5	PR52	METAL FILM
848	5322 116 50583	5,9K	1	MR25	METAL FILM
849	5322 116 50586	1,54K	1	MR25	METAL FILM
850	5322 116 54442	51,1	1	MR25	METAL FILM
851	5322 116 55481	442	1	MR52	METAL FILM
852	5322 116 54445	54,9	1	MR25	METAL FILM
853	5322 116 54458	73,2	1	MR25	METAL FILM
854,855	5322 116 54949	215	1	MR52	METAL FILM
856	5322 116 50583	5,9K	1	MR25	METAL FILM

**CODING SYSTEM OF FAILURE REPORTING FOR QUALITY
ASSESSMENT OF T & M INSTRUMENTS
(excl. potentiometric recorders)**

The information contents of the coded failure description is necessary for our computerized processing of quality data.

Since the reporting of repair and maintenance routines must be complete and exact, we give you an example of a correctly filled-out PHILIPS SERVICE Job sheet.

①	②	③	/Version	④
Country	Day Month Year	Typenumber		Factory/Serial no.
3 2	1 5 0 4 7 5	O P M 3 2 6 0 0 2		D O 0 0 7 8 3

CODED FAILURE DESCRIPTION ⑥

⑤	Location	Component/sequence no.	Category	⑦																																																										
Nature of call				Job completed																																																										
<input type="checkbox"/> Installation <input type="checkbox"/> Pre sale repair <input type="checkbox"/> Preventive maintenance <input checked="" type="checkbox"/> Corrective maintenance <input type="checkbox"/> Other	<table border="1" style="width: 100%; height: 100%; border-collapse: collapse;"> <tr><td> </td><td> </td><td> </td><td> </td></tr> <tr><td> </td><td> </td><td> </td><td> </td></tr> <tr><td>0 0 2 1</td><td> </td><td> </td><td> </td></tr> <tr><td> </td><td> </td><td> </td><td> </td></tr> <tr><td> </td><td> </td><td> </td><td> </td></tr> </table>									0 0 2 1												<table border="1" style="width: 100%; height: 100%; border-collapse: collapse;"> <tr><td>T</td><td>S</td><td>0</td><td>6</td><td>0</td><td>7</td></tr> <tr><td>R</td><td>0</td><td>0</td><td>6</td><td>3</td><td>1</td></tr> <tr><td>9</td><td>9</td><td>0</td><td>0</td><td>0</td><td>1</td></tr> <tr><td> </td><td> </td><td> </td><td> </td><td> </td><td> </td></tr> <tr><td> </td><td> </td><td> </td><td> </td><td> </td><td> </td></tr> </table>	T	S	0	6	0	7	R	0	0	6	3	1	9	9	0	0	0	1													<table border="1" style="width: 100%; height: 100%; border-collapse: collapse;"> <tr><td>5</td></tr> <tr><td>2</td></tr> <tr><td>4</td></tr> <tr><td> </td></tr> <tr><td> </td></tr> </table>	5	2	4			<input checked="" type="checkbox"/> Working time ⑧ <table border="1" style="width: 100%; height: 100%; border-collapse: collapse;"> <tr><td> </td><td>1</td><td>2</td></tr> </table> Hrs		1	2
0 0 2 1																																																														
T	S	0	6	0	7																																																									
R	0	0	6	3	1																																																									
9	9	0	0	0	1																																																									
5																																																														
2																																																														
4																																																														
	1	2																																																												

Detailed description of the information to be entered in the various boxes:

① Country: 3 2 = Switzerland

② Day Month Year 1 5 0 4 7 5 = 15 April 1975

③ Type number/Version O P M 3 2 6 0 0 2 = Oscilloscope PM 3260, version 02 (in later oscilloscopes this number is placed in front of the serial no)

④ Factory/Serial number D O 0 0 7 8 3 = DO 783 These data are mentioned on the type plate of the instrument

⑤ Nature of call: Enter a cross in the relevant box

⑥ Coded failure description

<p>Location</p> <table border="1" style="width: 100%; height: 100%; border-collapse: collapse;"> <tr><td> </td><td> </td><td> </td><td> </td></tr> </table> <p>These four boxes are used to isolate the problem area. Write the code of the part in which the fault occurs, e.g. unit no or mechanical item no of this part (refer to 'PARTS LISTS' in the manual). Example: 0001 for Unit 1 000A for Unit A 0075 for item 75</p> <p>If units are not numbered, do not fill in the four boxes; see Example Job sheet.</p>					<p>Component/sequence no.</p> <table border="1" style="width: 100%; height: 100%; border-collapse: collapse;"> <tr><td> </td><td> </td><td> </td><td> </td><td> </td><td> </td></tr> </table> <p>These six boxes are intended to pinpoint the faulty component.</p> <p>A. Enter the component designation as used in the circuit diagram. If the designation is alfa-numeric, the letters must be written (starting from the left) in the two left-hand boxes and the figures must be written (in such a way that the last digit occupies the right-most box) in the four right-hand boxes.</p> <p>B. Parts not identified in the circuit diagram: 990000 Unknown/Not applicable 990001 Cabinet or rack (text plate, emblem, grip, rail, graticule, etc.) 990002 Knob (incl. dial knob, cap, etc.) 990003 Probe (only if attached to instrument) 990004 Leads and associated plugs 990005 Holder (valve, transistor, fuse, board, etc.) 990006 Complete unit (p.w. board, h.t. unit, etc.) 990007 Accessory (only those without type number) 990008 Documentation (manual, supplement, etc.) 990009 Foreign object 990099 Miscellaneous</p>							<p>Category</p> <table border="1" style="width: 100%; height: 100%; border-collapse: collapse;"> <tr><td> </td></tr> </table> <p>0 Unknown, not applicable (fault not present, intermittent or disappeared) 1 Software error 2 Readjustment 3 Electrical repair (wiring, solder joint, etc.) 4 Mechanical repair (polishing, filing, remachining, etc.) 5 Replacement (of transistor, resistor, etc.) 6 Cleaning and/or lubrication 7 Operator error 8 Missing items (on pre-sale test) 9 Environmental requirements are not met</p>	

⑦ Job completed: Enter a cross when the job has been completed.

⑧ Working time: Enter the total number of working hours spent in connection with the job (excluding travelling, waiting time, etc.), using the last box for tenths of hours.

1 2 = 1,2 working hours (1 h 12 min.)

SALES AND SERVICE ALL OVER THE WORLD

Alger: Bureau de Liaison Philips,
24 bis, Rue Bougainville,
El Mouradia, Alger; tel.: 213-601405

Antilles: see Ned. Antillen

Argentina: Philips Argentina S.A.,
Vedia 3892, Casilla de Correo 3479,
1430 Buenos Aires; tel.: 54-1-5414106/
54-1-5417141/5422411

Austria: see Oesterreich

Australia: Philips Scientific & Industrial,
25-27 Paul Street, P.O. Box 119, North Ryde/
NSW 2113; tel.: 61-2-8888222
Service Centre:
PCS Service,
2 Greenhills Avenue,
Moorebank, P.O. Box 269,
Liverpool/NSW 2170;
tel.: 61-2-6022000

Bangla Desh: Philips Bangla Desh Ltd.,
16/17 Kawran Bazar C/A
P.O. Box 62; Ramna, N.V. Dhaka;
tel.: 325081/5, 411976
Service Centre:
50 New Eskaton Road
Maghbazar, Dhaka; tel.: 403047

België/Belgique: Philips & MBLE associated S.A.,
Scientific and Industrial Equipment Division,
80 Rue des Deux Gares, 1070 Bruxelles;
tel.: 32-2-5256111

Bolivia: E.P.T.A.
Industrias Bolivianas Philips S.A.,
Calle Mercado no. 1046,
Cañon Postal 2964, La Paz,
tel.: 341453/350029

Brasil: Philips do Brasil Ltda.,
Av. Eng. Luiz Carlos Berrini, 3009, Caixa Postal 8681,
CEP 04571-Sao Paulo (S.P.);
tel.: 55-11-2411611
Service Centre:
Sistemas Profissionais,
Rua Anton Philips 1,
Caixa Postal 7018,
07000 Guarulhos-S.P.;
tel.: 55-11-2090111

Canada: Philips Electronics Ltd.,
Test and Measurement Dept.,
1001 Ellesmere Road,
Scarborough (Ontario) M1P-2W7,
tel.: 1-416-292 82000

Chile: Philips Chilena S.A.,
Division Profesional, Avenida Santa Maria 0670,
Casilla 2687, Santiago de Chile; tel.: 56-2-770038

Colombia: Industrias Philips de Columbia S.A.,
Calle 13 no. 51-39, Apartado Aereo 4282
Bogota; tel.: 57-1-2600600

Danmark: Philips Industri og Handels A/S,
Prags Boulevard 80, P.O. Box 1919,
DK-2300 Copenhagen S; tel.: 45-1-572222

Deutschland (Bundesrepublik): Philips GmbH,
Unternehmensbereich Elektronik für
Wissenschaft und Industrie, Miramstrasse 87,
Postfach 310 320, 3500 Kassel-Bettenhausen;
tel.: 49-561-5010

Ecuador: Philips Ecuador C.A.,
Páez 118 y Avenida Patria, Casilla 343,
Quito; tel.: 593-2-546100/564601

Egypt: Philips Egypt Branch of Philips Midden Oosten N.V.,
10, Abdel Rahman El Rafei Street -Dokki-, Cairo;
tel.: 20-2-3490922/3490926/3490928/3492237

Eire: Philips Electrical (Ireland) Ltd.,
Newstead, Clonskeagh, Dublin 14; tel.: 353-1-693355

España: Philips Ibérica S.A.E.,
Martínez Villergas 2, Apartado 2065,
Madrid 28027; tel.: 34-1-4042200
Service Centre:
Euroservice S.A.
Calle de Albasanz 75, Madrid 28017;
tel.: 34-1-2045940/2047025/2047105

Ethiopia: Philips Ethiopia (Priv. Ltd. Co.),
Ras Abebe Aregay Avenue, P.O.B. 2565,
Addis Ababa; tel.: 448300/157441

Finland: see Suomi

France: S.A. Philips Industrielle et Commerciale,
Division Science et Industrie,
105 Rue de Paris, B-P.62, 93 002 Bobigny Cedex,
tel.: 33-1-4830111

Germany: see Deutschland

Hellas (Greece): Philips S.A. Hellénique,
15, 25th March Street, P.O. Box 3153,
Athens 10210; tel.: 30-1-4894911

Hong Kong: Philips Hong Kong Ltd.,
29/F Hopewell Centre,
17 Kennedy Road, G.P.O. Box 2108,
Hong Kong; tel.: 852-5-283298

Ireland: see Eire

India: Peico Electronics & Electricals Ltd.,
I&E Equipment, Shivsagar Estate, Block "A"
Dr. Annie Besant Road, P.O.B. 6598, Worli,
Bombay 400 018 (WB); tel.: 91-22-4921500

Indonesia: P.T. Philips Development Corporation,
Jalan Gatot Subroto Kav. 35/36,
P.O. Box 785/KBY, Jakarta 12950;
tel.: 62-21-517900/5781977

Iran: Philips Iran Ltd., P.O.B. 11365-3891,
Tehran; tel.: 98-21-674138/675158

Iraq: Philips Midden Oosten B.V., Baghdad Branch,
Hai Al Whida (district), Area No. 902, Street No. 12
Building No. 141/10, P.O. Box 5749, Baghdad;
tel.: 7187181

Island: Heimilisteaki SF, Saetún 8,
Reykjavik; tel.: 24000

Italia: Philips S.p.A., Sezione I&E/T&M,
Viale Elvezia 2, 20052 Monza (MI); tel.: 39-39-36351

Japan: see Nippon

Kenya: Philips (Kenya) Ltd.,
01 Kalou Road, Industrial Area,
P.O.B. 30554, Nairobi; tel.: 254-2-557999

Lebanon: Philips Middle East S.A.R.L.,
P.O. Box 11-670, Beyrouth; tel.: 392320/1

Malaysia: Philips Malaysia Sendirian Berhad,
Wisna Philips, No. 3, Jalan SS15/2A,
47500 Petaling Jaya, Selangor, G.P.O.B. 12163,
50768 Kuala Lumpur; tel.: 60-3-7345511/7554234
Service Centre:
Lot 51, Jalan University, Section 13,
46200 Petaling Jaya; tel.: 60-3-7562144

México: Telecomunicaciones y Sistemas
Profesionales S.A. de C.V.,
Goldsmith No. 40, Col. Polanco,
11560 México, D.F.; tel.: 52-5-5406875

Morocco: Philips Maroc S.A., 304-Boulevard Mohammed V,
B.P. 10896, Bandoeng, Casablanca 05;
tel.: 212-302092/303192/308051

Nederland: Philips Nederland B.V.
Boschdijk 525, Gebouw VB,
5600 PD Eindhoven; tel.: 31-40-793333

Ned. Antillen: Philips Antillana N.V.,
Schottegatweg Oost 146, Postbus 3523,
Willemstad, Curaçao;
tel.: 599-9-615277/612799 (service)

New Zealand: Philips New Zealand Ltd.,
Scientific and Industrial Equipment Division,
68-86 Jervois Quay, G.P.O. Box 2097,
Wellington C1; tel.: 64-4-735735

Nigeria: Associated Electronic Products (Nigeria) Ltd.,
KM16, Ikorodu Road, Ojota, P.O.B. 1921, Lagos;
tel.: 234-1-900160/69

Nippon: NF Trading Co. Ltd.,
3-20 Tsunashima Higashi 6 - Chome, Kohoku-ku,
Yokohama-Shi

Norge (Norway): Norsk A.S. Philips,
Dept. Industry and Telecommunication,
Sandstuveien 70, Postboks 1, Manglerud N 0612,
Oslo 6; tel.: 47-2-680200

Oesterreich: Oesterreichische Philips Industrie GmbH,
Abteilung Industrie Elektronik,
Triesterstrasse 64, Postfach 217, A 1100 Wien;
tel.: 43-222-645521
Service Centre:
Oesterreichische Philips Industrie GmbH
Ketzergasse 120-122, A 1232 Wien;
tel.: 43-222-8662

Pakistan: Philips Electrical Co. of Pakistan Ltd.,
P.O.B. 7101, Karachi 3;
tel.: 92-21-725772

Paraguay: Philips del Paraguay S.A.,
Avenida Artigas 1519, Casilla de Correo 605,
Asunción; tel.: 595-21-291924/291934

Péru: Philips Peruana S.A.,
Av. Alfonso Ugarte 1268, Lima 5,
Apartado Aereo 1841, Lima 100; tel.: 51-14-326070

Philippines: Philips Industrial Development Inc.,
2246 Pasong Tamo, Makati, Metro Manila;
tel.: 63-2-868951/868959

Portugal: Philips Portuguesa S.A.R.L.,
1009 Lisboa Codex, Av. Eng. Duarte Pacheco 6,
1000 Lisboa; tel.: 351-1-683121/9
Service Centre:
Serviços Técnicos Profissionais, Outorela 7/Carnaxide,
2795 Linda-a-Velha; tel.: 351-1-2180071

Saudi Arabia: Delegate Office of Philips Industries,
P.O. Box 9844, Riyadh 11423; tel.: 966-1-4777808

Schweiz-Suisse-Svizzera: Philips A.G., S&I Equipment,
Allmendstrasse 140, Postfach 670, CH-8027 Zürich;
tel.: 41-1-4882211

Singapore: Philips Singapore Private Limited,
Lorong 1, Toa Payoh, Singapore 1231,
P.O. Box 340 - Toa Payoh Central Post Office,
Singapore 9131; tel.: 65-3502000 (N.O.)

South Africa: South African Philips (Pty) Ltd.,
2 Herb Street, P.O.B. 7203, New Doornfontein,
Johannesburg 2000; tel.: 27-11-6179111

South Korea: Philips Electronics (Korea) Ltd.,
260-199 Itaewon-dong, Yongsan-ku, Philips House
C.P.O. Box 3680, Seoul, Korea 140;
tel.: 82-2-794-5011/5

Spain: see España

Suomi: Oy Philips AB, Kaivokatu 8,
P.O. Box 255, SF-00101 Helsinki;
tel.: 358-0-17271
Service Centre:
Sinikallionte 1-3, P.O. Box 11,
SF-02630 Espoo; tel.: 358-0-52571

Sverige (Sweden): Philips Försäljning AB,
Div. Industrielektronik, Tegeluddsvägen 1,
S 115 84 Stockholm; tel.: 46-8-7821000

Syria: Philips Moyen-Orient S.A.R.L.,
Rue Fardoss 79, B.P. 2442, Damas;
tel.: 218605/221650/228003/221025

Taiwan: Philips Taiwan Ltd.,
150, Tun Hua North Road,
P.O. Box 22978, Taipei;
tel.: 886-2-712-0500

Tanzania: Philips (Tanzania) Ltd.,
T.D.F.L. Building (1st flr), Ohio/Upanga Road
P.O. Box 20104, Dar es Salaam; tel.: 29571/4

Thailand: Philips Electrical Co. of Thailand Ltd.,
283 Silom Road, P.O. Box 961, Bangkok 10500;
tel.: 66-2-233 6330.9/2355 665.8
Service Centre:
29/1 Sanpavud Road, Bangna, Prakanong,
Bangkok 10110; tel.: 66-2-396-1639/393 8772-6/
66-2-396-1437

Tunisia: S.T.I.E.T., 32 bis, Rue Ben Ghedhahem,
Tunis; tel.: 216-1-348666

Türkiye: Türk Philips Ticaret A.S.,
Inönü Caddesi 78/80, Posta Kutusu 504,
80074 Beyoğlu, Istanbul; tel.: 90-1-1435910

United Arab Emirates: Philips Middle East B.V.,
Dubai International Trade Centre, 11th floor,
P.O. Box 9269, Dubai; tel.: 971-4-37700

United Kingdom: Pye Unicam Ltd., York Street,
Cambridge CB1-2PX; tel.: 44-223-358866
Service Centre:
Pye Unicam Ltd., Service Division,
Beddington Lane, Croydon CR9-4EN;
tel.: 44-1-6843670

Uruguay: Industrias Philips del Uruguay S.A.,
Avda Uruguay 1287, Casilla de Correo 294,
Montevideo; tel.: 915641/2/3/4-919009
Service: 387777-387878-388484

U.S.A.:

Philips Test and Measurement Department Inc.,

California: Garden Grove 92645
12882 Valley View Street, Suite 9;
tel.: (213) 594-8741 / (714) 898-5000

California: Milpitas 95035
477 Valley Way;
tel.: (408) 946-6722

Florida: Winter Park 32789
1850 Lee Road, Suite 229;
tel.: (305) 628-1717

Illinois: Itasca 60143
500 Park Blvd., Suite 1170;
tel.: (312) 773-0616

Massachusetts: Woburn 01801
21 Olympia Avenue;
tel.: (617) 935-3972

Minnesota: Minneapolis 55420
7851 Metro Parkway, Suite 302;
tel.: (612) 854-2426

New Jersey: Mahwah 07430
85 McKee Drive;
tel.: 1-201-5293800 (Toll-free 800-6317172)

Venezuela: Industrias Venezolanas Philips S.A.,
Apartado Aereo 1167, Caracas 1010-A;
tel.: 58-2-203.7111

Zaire: S.A.M.E./s.a.r.l., 137, Boulevard du 30 juin,
B.P. 16636, Kinshasa; tel.: 31887-31888-31921

Zambia: Philips Electrical Zambia Ltd.,
Mwembeshi Road, P.O.B. 31878, Lusaka;
tel.: 218511/218701/218321

Zimbabwe: Philips Electrical (Pvt) Ltd.,
62 Mutare Road, P.O. Box 994, Harare;
tel.: 47211/48031

For information on change of address:

Philips Export B.V.,

Industrial & Electro-acoustic Systems Division,

Test & Measurement, Building TQ III - 4, P.O. Box

5600 MD Eindhoven - The Netherlands

Tel. 31-40-788476

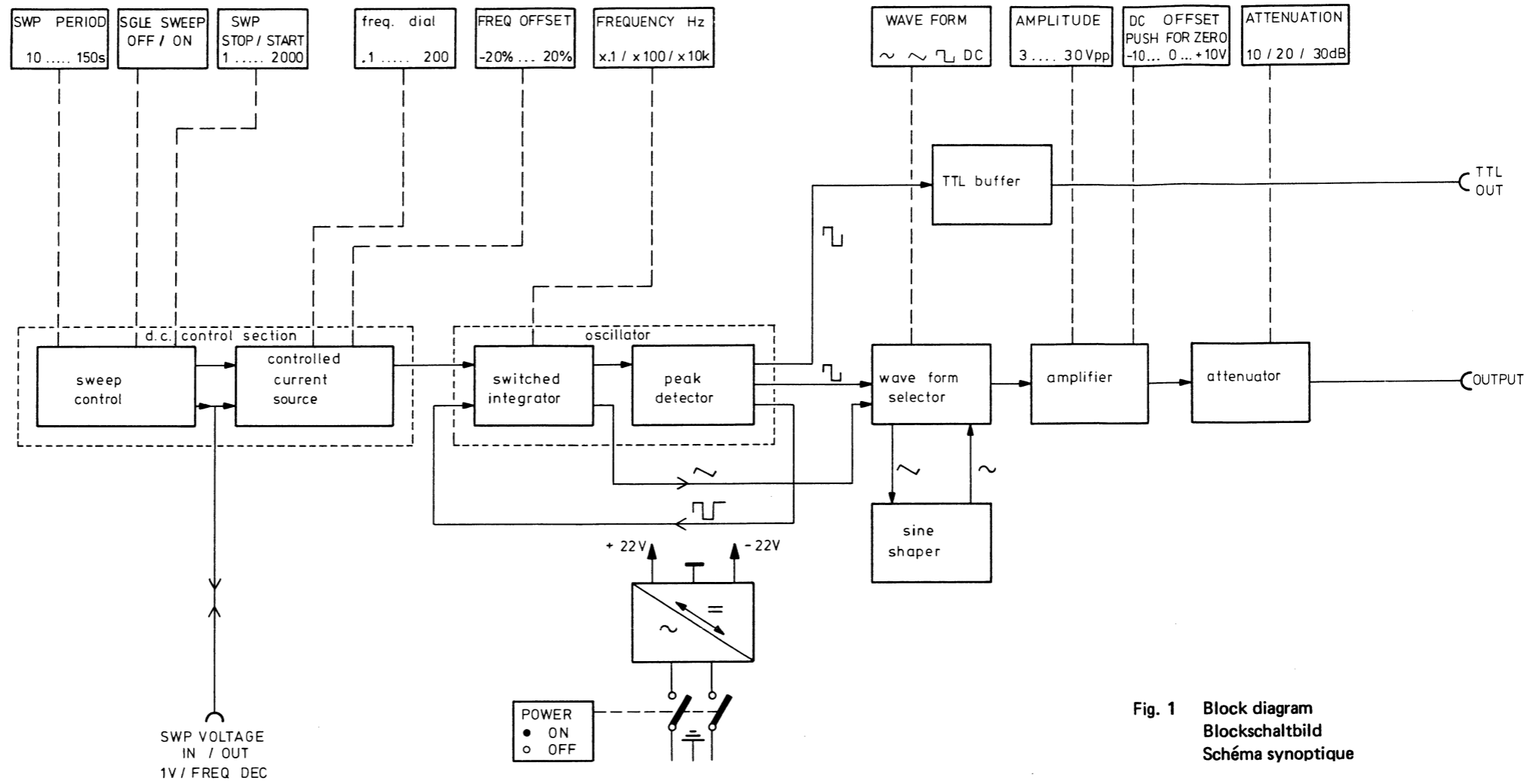


Fig. 1 Block diagram
 Blockschaltbild
 Schéma synoptique



Fig. 2 Front view
 Frontansicht
 Face avant

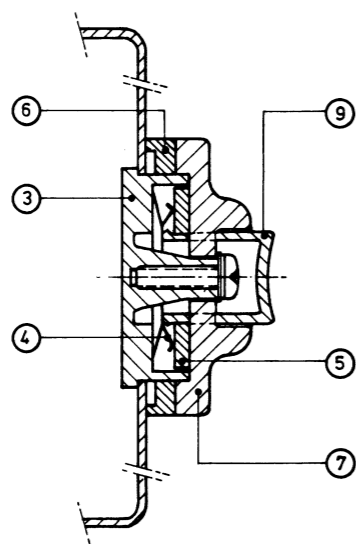
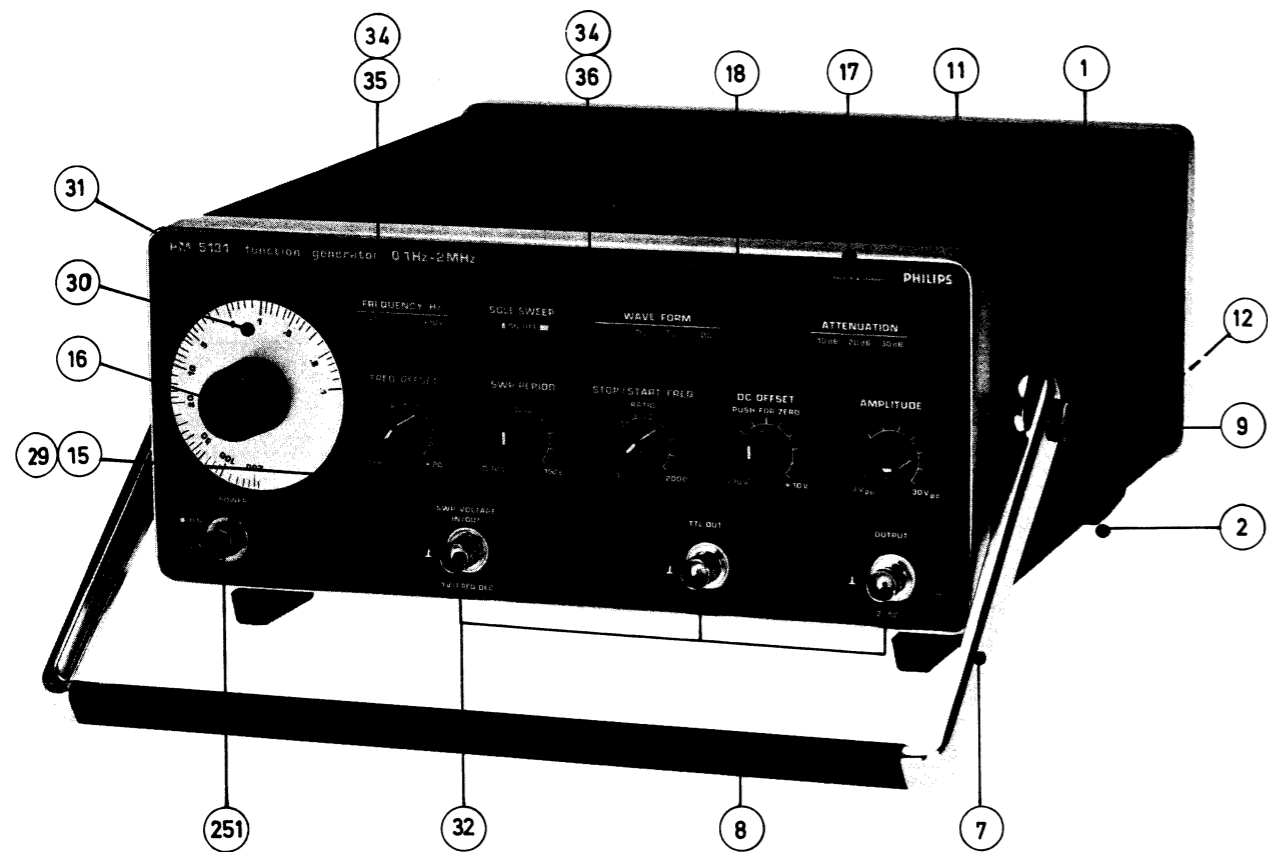


Fig. 3. Front view, mechanical parts

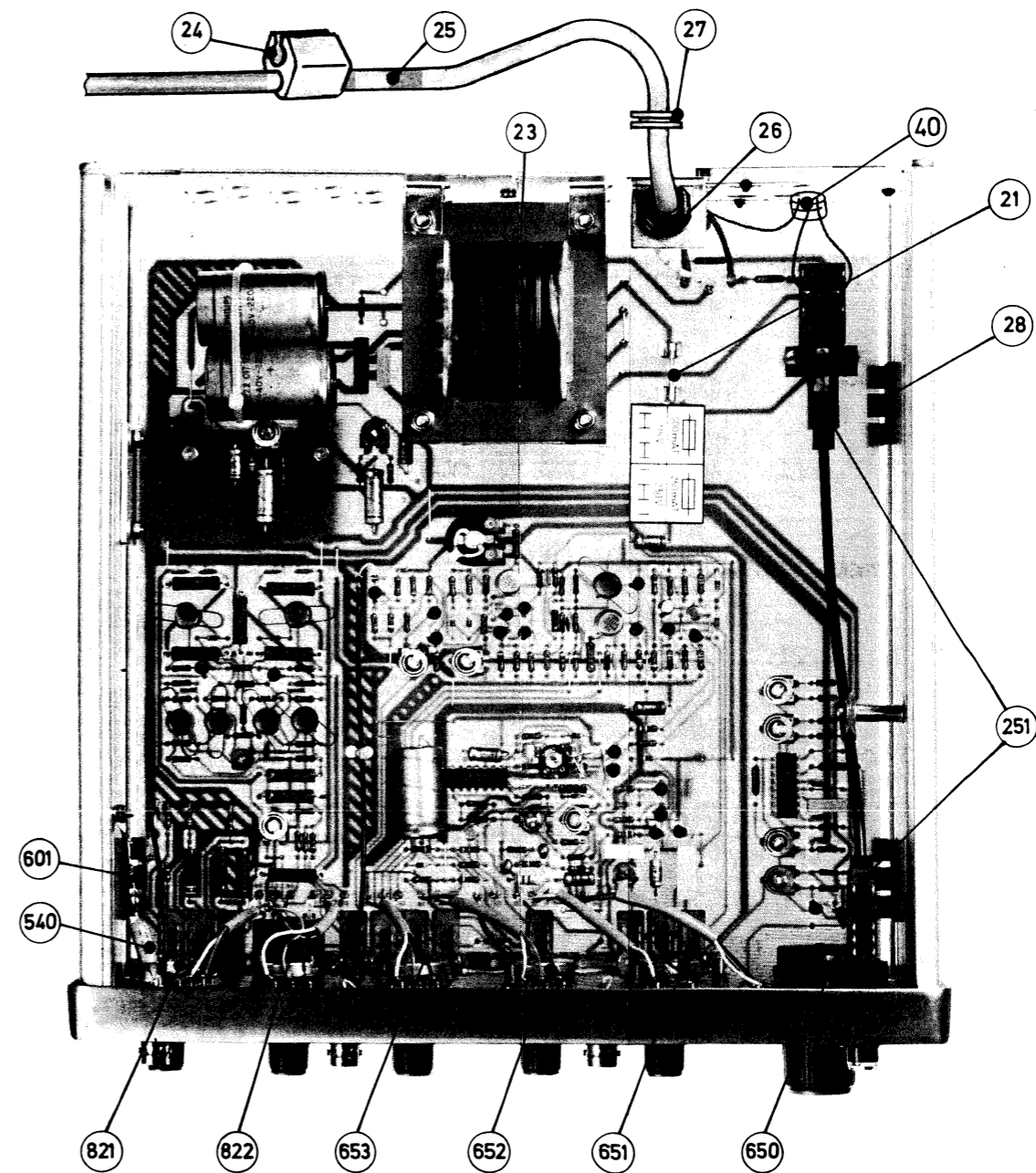


Fig. 4. Bottom view

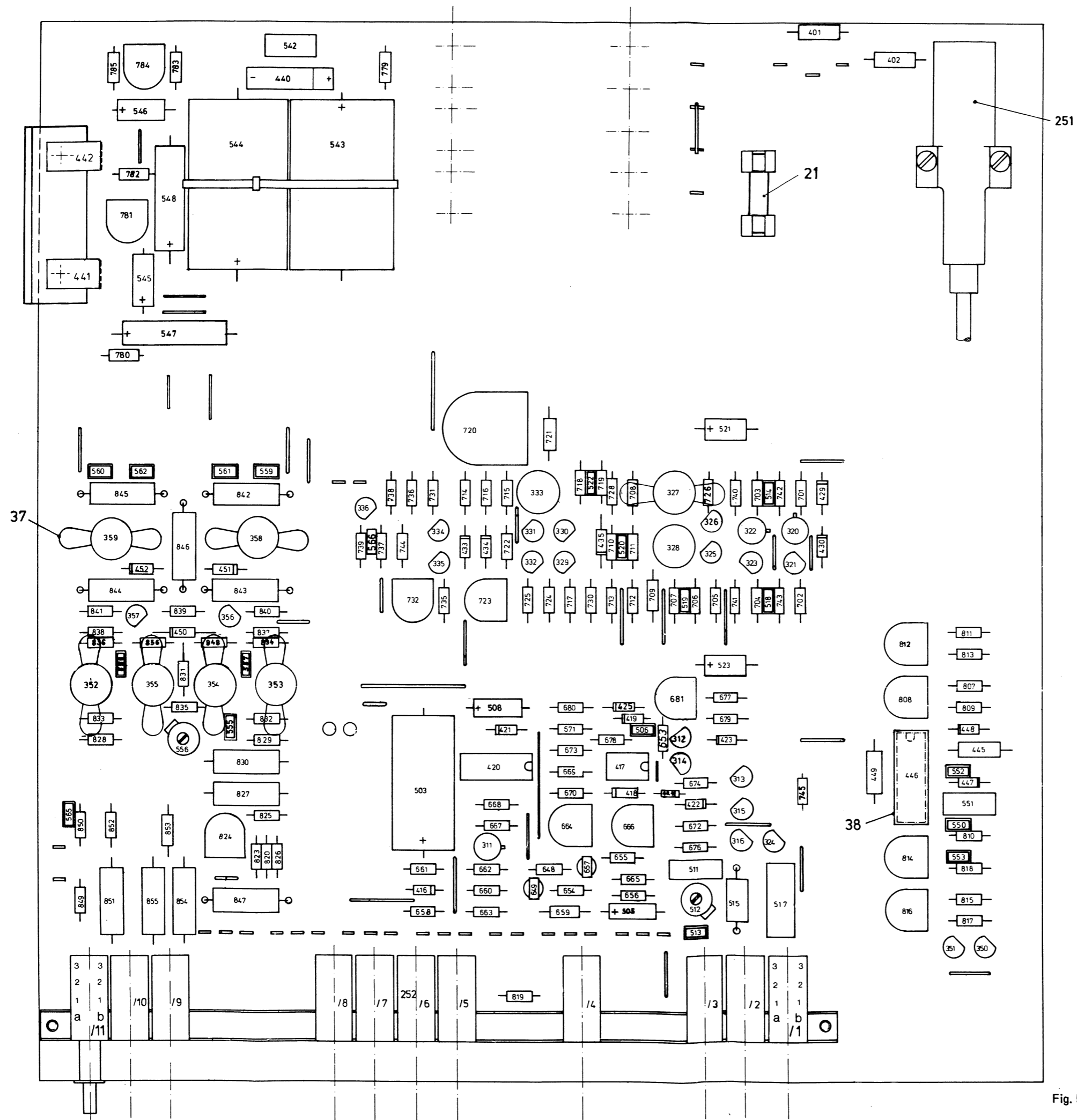
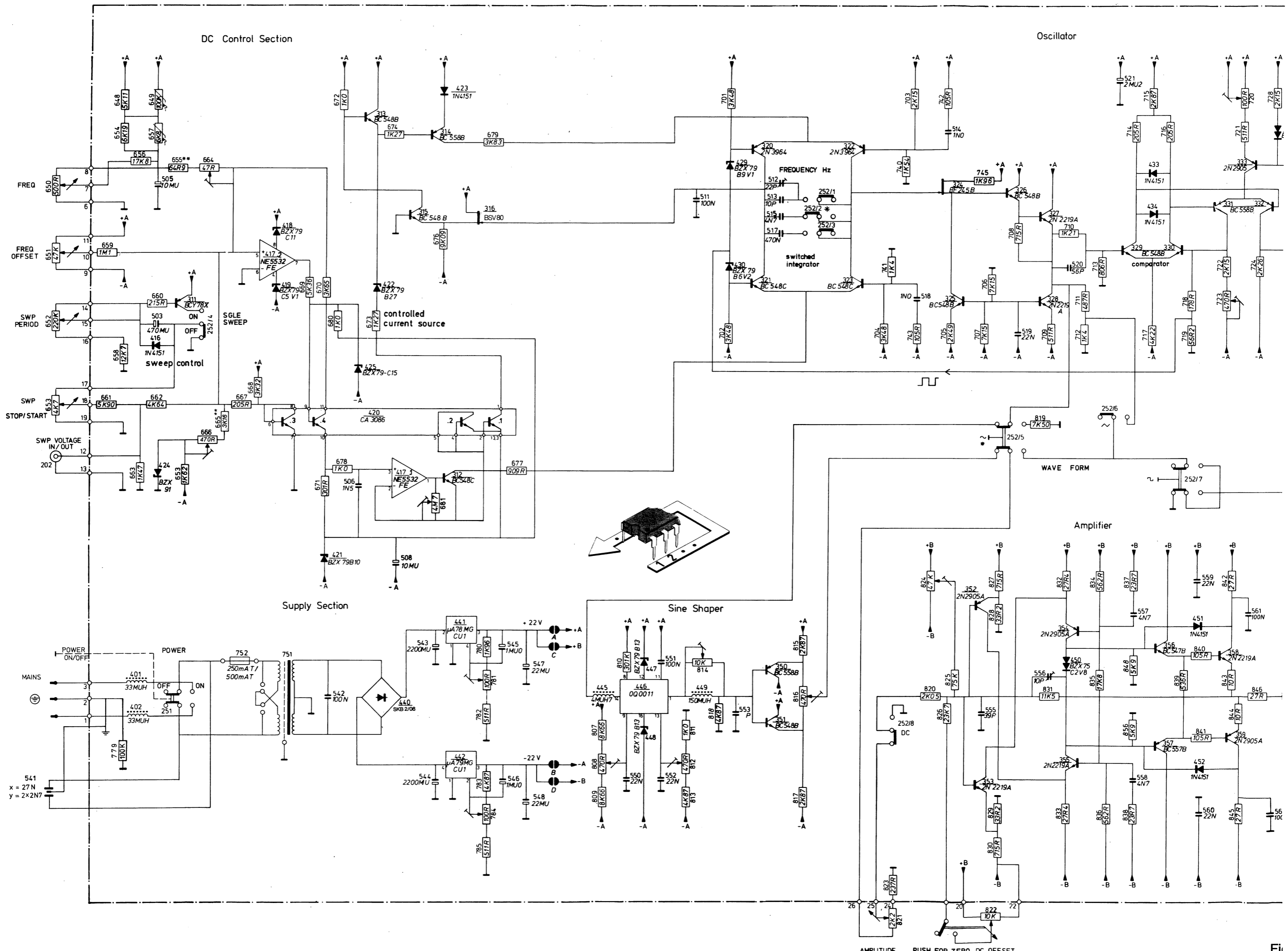


Fig. 5 Unit 1, component lay-out



DC Control Section

Oscillator

Supply Section

Sine Shaper

Amplifier

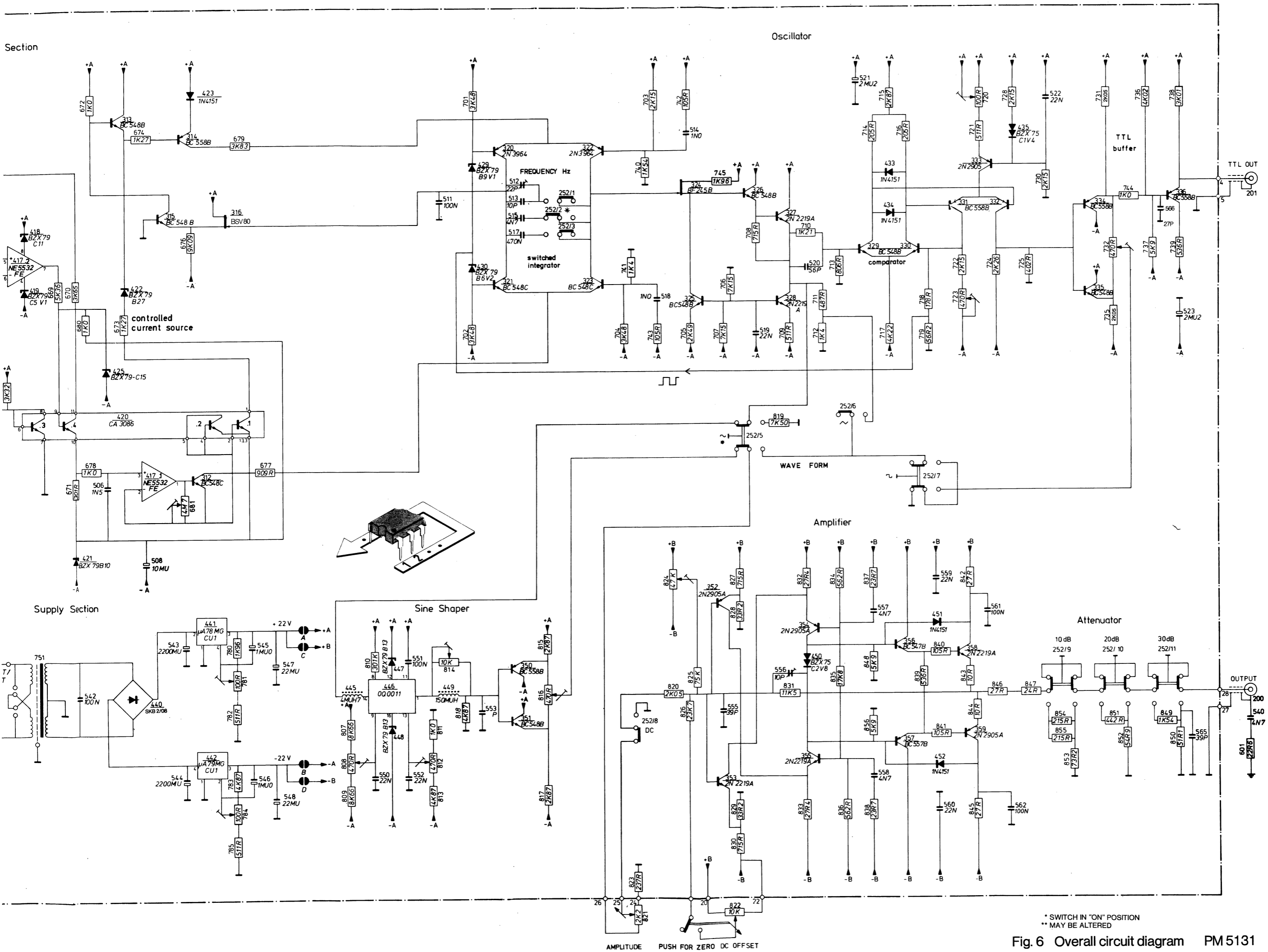
controlled current source

FREQUENCY Hz

switched integrator

WAVE FORM

AMPLITUDE PUSH FOR ZERO DC OFFSET



* SWITCH IN "ON" POSITION
 ** MAY BE ALTERED

Fig. 6 Overall circuit diagram PM 5131