

DEVICE SPECIFICATIONS

NI PXI-2548

2.7 GHz Quad SPDT Relay Module

Input Characteristics

Figure 2. VSWR, Typical

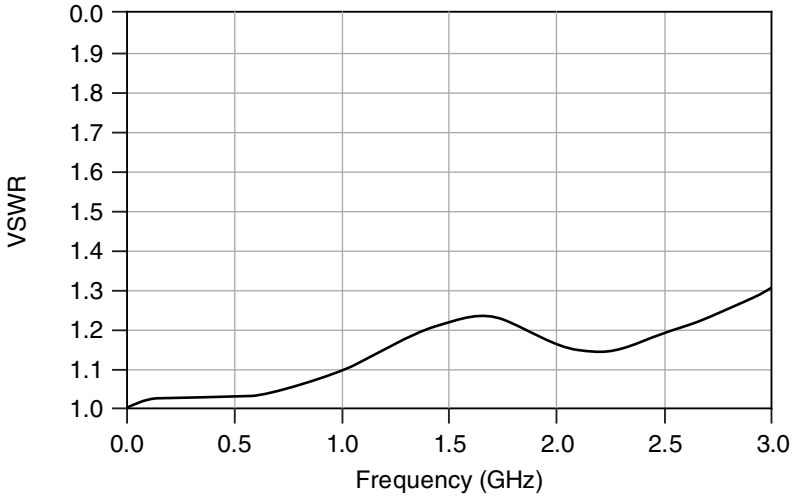
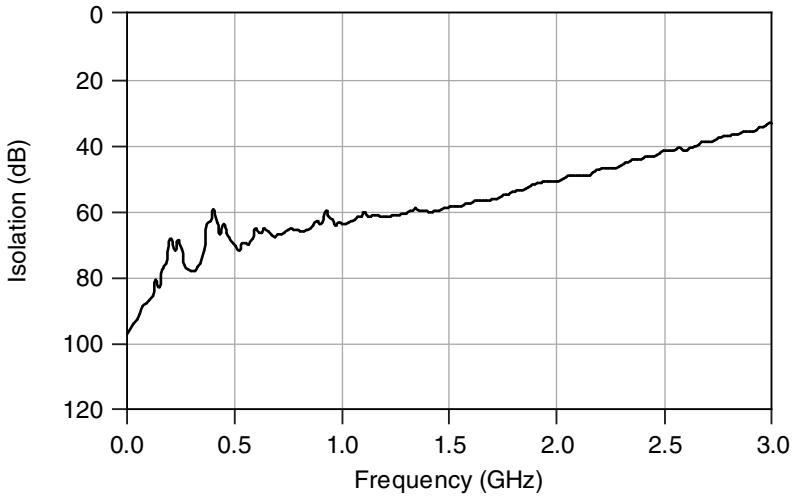


Figure 3. Isolation, Typical



Dynamic Characteristics

Environment

Compliance and Certifications

Safety

Environmental Management

Figure 4. PXI-2548 Power-On State

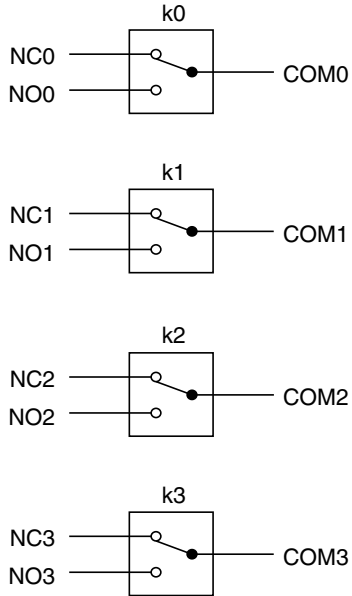


Figure 5. PXI-2548 Front Panel Connectors

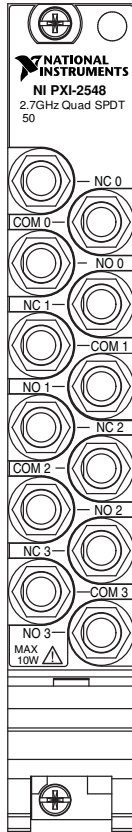


Table 1. NI Accessories for the PXI-2548 (Continued)

| Accessory | Length | Part Number |
|------------------|---------------|--------------------|
|------------------|---------------|--------------------|

Refer to the *NI TRADEMARKS AND LOGO GUIDELINES* at ni.com/trademarks for information on NI trademarks. Other product and company names mentioned herein are trademarks or trade names of their respective companies. For patents covering NI products/technology, refer to the appropriate location: **Help**