

DEVICE SPECIFICATIONS

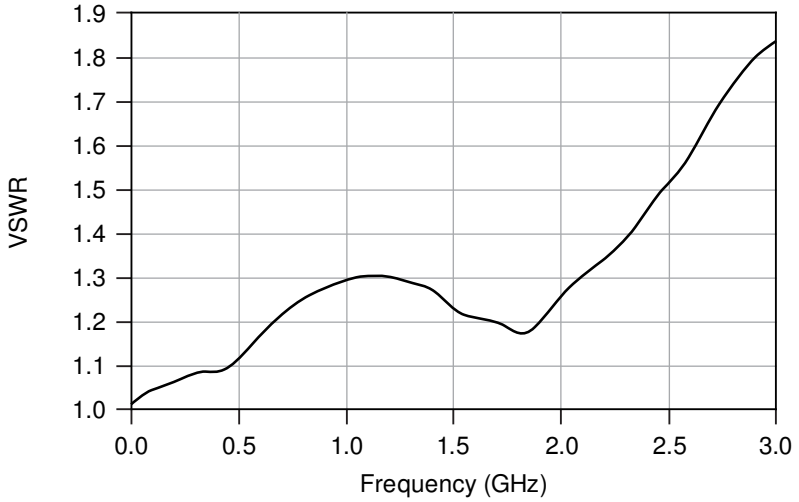
# NI PXI-2546

2.7 GHz Dual 4 × 1 Multiplexers (Dual SP4T)

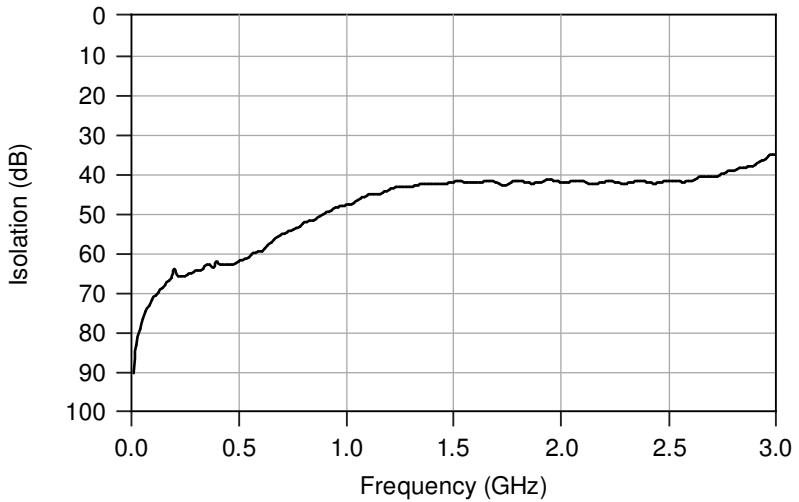
# Input Characteristics



**Figure 2. VSWR, Typical**



**Figure 3. Isolation, Typical**



# Dynamic Characteristics

# Environment

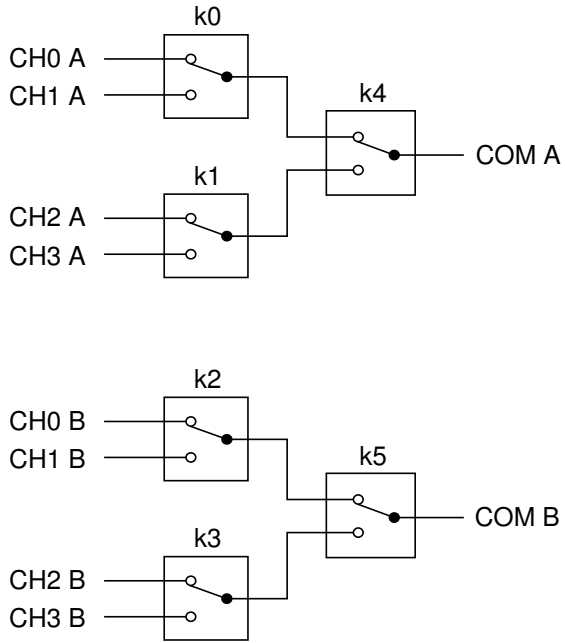
# Compliance and Certifications

## Safety

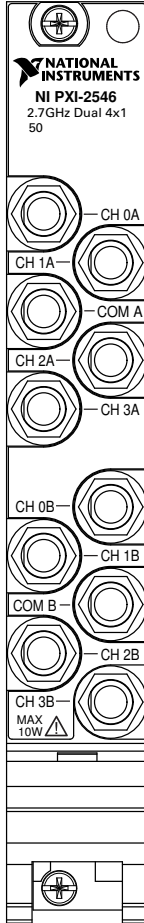
# Environmental Management



**Figure 4. PXI-2546 Power-On State**



**Figure 5. PXI-2546 Front Panel Connectors**



**Table 1.** NI Accessories for the PXI-2546 (Continued)

<b>Accessory</b>	<b>Length</b>	<b>Part Number</b>
------------------	---------------	--------------------

Refer to the *NI TRADEMARKS AND LOGO GUIDELINES* at [ni.com/trademarks](http://ni.com/trademarks) for information on NI trademarks. Other product and company names mentioned herein are trademarks or trade names of their respective companies. For patents covering NI products/technology, refer to the appropriate location: **Help**