

# PXI - 1025 MegaPAC

**Compact Size**

**Rugged Dual-Chassis Structure**

**10.4 Active Matrix LCD**

**Filtered Forced-Air Cooling**

**8 Peripheral Slots for 3U PXI**

## RUGGED, PORTABLE CHASSIS FOR PXI

### Overview

The PXI-1025 MegaPAC is the first portable PXI computer platform designed with the utility, ruggedness, modularity, and expandability needed for demanding test and measurement, instrumentation, and communications applications. With eight expansion slots and 350W peak power, the fully self-contained PXI-1025 constitutes a complete high-performance measurement and automation system in a compact package. The PXI-1025 was jointly developed by National Instruments and Dolch Computer Systems.

### Fully Self-Contained

The PXI-1025 MegaPAC was designed with the mobile technical professional in mind. This rugged chassis features a SVGA 10.4 in. active matrix LCD color display, fold down/removable keyboard, and a carrying handle/tilt stand.

### Power Supply

The PXI-1025 comes with a 350W universal AC power supply. Use an external DC to AC power inverter for applications where only DC power is available.

### Active Cooling

The PXI-1025 cooling system has a temperature sensor that controls the speed of its high-capacity fans to maintain proper internal temperature. Because of its sophisticated cooling system, the PXI-1025 can operate in ambient temperatures of 0° to 50 °C. In addition, when the ambient temperature is moderate, a “quiet” mode slows the fans, to reduce unnecessary noise.

### Crash-Cart Ruggedness

The MegaPAC design incorporates a unique dual-chassis structure that “floats” the inner structure from the external chassis using an eight-point IsoGuard shock-isolating matrix. With this technique, harmful shock and vibration energy is absorbed before it can affect the internal components or PXI modules. Overtravel snubbers are mounted between the two chassis in case of transit drops or severe impact.

### Installation

The PXI-1025 is an ideal chassis for portable applications. It comes with a carrying handle that doubles as a bench-top rest to tilt the chassis. It also contains mounting points which can be used for custom mounting configurations.



PXI - 1025 MegaPAC

### Environmental

**Operating Temperature 0° to 50°C**

**Non-Operating Temperature -20° to 70°C**

**Operating Shock 30g 11ms 1/2 sine**

**Operating Vibration 5 - 500Hz 0.3g**

**Operating Non-Condensing Humidity 10 - 90%**



**Operation in Standing Position**

**North America**

**Corporate Headquarters**

3178 Laurelview Court  
 Fremont, CA 94538  
 Tel: 800.995.7560  
 Fax: 510.490.2487  
 E-mail: sales.usa@dolch.com  
 Web Site: www.dolch.com

**San Diego, CA**

Tel: 760.723.7900  
 Fax: 760.723.7910  
 E-mail: touchsales@dolch.com

**Cleveland, OH**

Tel: 440.350.9989  
 Fax: 440.350.1445  
 E-mail: sales.usa@dolch.com

**Baltimore, MD**

Tel: 410.384.1651  
 Fax: 410.384.1652  
 E-mail: sales.usa@dolch.com

**Canada**

Tel: 905.795.1544  
 Fax: 905.795.1548  
 E-mail: sales.ca@dolch.com

**Europe**

**Germany**

Tel: +49.89.608.6860  
 Fax: +49.89.608.6880  
 E-mail: sales.de@dolch.com

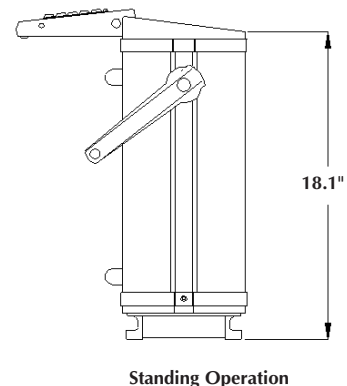
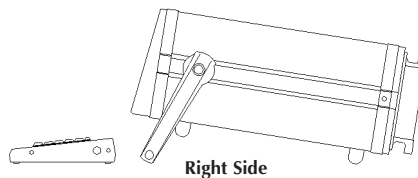
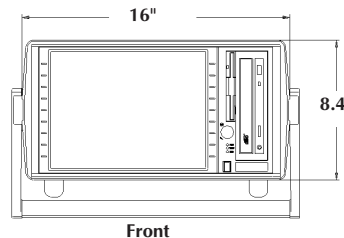
**United Kingdom**

Tel: +44.1908.263.622  
 Fax: +44.1908.263.220  
 E-mail: sales.uk@dolch.com

**France**

Tel: +33.1.39.30.44.50  
 Fax: +33.1.39.30.44.59  
 E-mail: sales.fr@dolch.com

Specifications	
<b>Specifications</b>	
Complies with PXI specification	
Accepts modules compliant with CompactPCI, PICMG 2.0 specification	
<b>Peripherals / User Interface</b>	
Display Type	10.4in color TFT, SVGA 800X600
Pointing Device	Pointing Stick Style, Integrated with Keyboard, 2 buttons
CD-ROM	24X Max
Keyboard	85 Key, Notebook Style
<b>Electrical</b>	
Input Voltage	90 to 265 VAC Universal
Input Frequency	11 to 30 VDC (Optional)
Output	50 to 60Hz
Maximum Usable Power	350W
<b>Cooling</b>	
Fans	1 at 87cfm, 1 at 51cfm, with Filters
<b>Physical</b>	
Number of PXI Slots	8 (1 Controller, 7 Peripheral)
Dimensions	16 X 18.1 X 8.4in (40.7 X 40 X 21.3cm)
Weight	25lbs (11.4kg)
<b>Mean Time Between Failures (MTBF)</b>	
MTBF	17,000 hours (Prediction Performed in Accordance with Belcore Methods)
<b>Operating Environment</b>	
Ambient Temperature	0° to 50°C (Meets IEC 60068-2-1 and IEC 60068-2-2)
Relative Humidity	10 to 90% Non-Condensing (Meets IEC 60068-2-56)
<b>Storage Environment</b>	
Ambient Temperature	-20° to 70°C (Meets IEC 60068-2-1 and IEC 60068-2-2)
Relative Humidity	5 to 99% Non-Condensing (Meets IEC 60068-2-56)
<b>Backplane</b>	
Bare-Board Material	UL 94V-0 Rated
Connector	Conforms to IEC-917 and IEC 1076-4-101, UL 94V-0 Rated
<b>Shock and Vibration</b>	
Functional Shock	30g 11ms 1/2 Sine (Meets IEC 60068-2-27 Test Profile Developed in Accordance with MIL-T-28800E)
Random Vibration	Operating – 5 to 500Hz, 0.3g Non-Operating – 10 to 500Hz, 2.4 g (Meets IEC 60068-2-64 Nonoperating Test Profile Developed in Accordance with MIL-T-28800E and MIL-STD-810E Method 514)
<b>Safety and EMC/EMI Compliance</b>	
Safety	EN 61010-1:1993
EMC/EMI	CE, C-Tick and FCC Part 15
Electrical Emissions	EN 55011 Class A at 10m and FCC Part 15 Class A above 1GHz



[www.dolch.com](http://www.dolch.com) – 800.995.7560