

0.05-18 GHz

Type N Dual Coaxial Reflectometer Couplers



- Exceptionally High Directivity for Reflectometry Measurements
- Broadband Frequency Coverage
- Bilateral Male and Female Output Ports
- Low VSWR
- High Power

Specifications

Type N (M/F), 0.05 to 8 GHz, 500 W

| FREQUENCY RANGE (GHz) | MODEL | NOMINAL COUPLING (dB) | DIRECTIVITY (dB min.) | VSWR | | EQUIVALENT RESIDUAL VSWR (max.) | ABSOLUTE CALIBRATION ACCURACY (per 10 dB) | TRUE INSERTION LOSS (dB max.) | TRACKING (dB) | MAXIMUM DEVIATION FROM NOMINAL (dB) | POWER AVERAGE | | | WEIGHT (max.) | |
|-----------------------|-------|-----------------------|----------------------------|--------------|----------------|---------------------------------|---|-------------------------------|---------------|-------------------------------------|---------------|---------------|-----------|---------------|-----|
| | | | | PRIMARY LINE | SECONDARY LINE | | | | | | INCIDENT (W) | REFLECTED (W) | PEAK (kW) | lb. | kg. |
| 0.05-1 | 3020A | 20* | 35 | 1.05 | 1.10 | 104 | ±0.1 | 0.2 | 0.3 | ±1.0 from 250-1000 MHz | 500 | 500 | 10 | 2.4 | 1.1 |
| 1-4 | 3022 | 20 | 1-3 GHz: 30 3-4 GHz: 27 | 1.15 | 1.15 | 1.09 | ±0.1 | 0.3 | 0.3 | ±1.0 | 500 | 500 | 10 | 1.9 | 0.9 |
| 4-8 | 3024 | 20 | 25 | 1.15 | 1.20 | 1.12 | ±0.1 | 0.6 | 0.3 | ±1.0 | 500 | 500 | 10 | 1.5 | 0.7 |

* Coupling from 250 MHz to 50 MHz increases from 20 dB to 33 dB

CONNECTORS: Primary Connectors 1 female, 1 male, Type N; Secondary Connectors 2 female, Type N

NOTES:

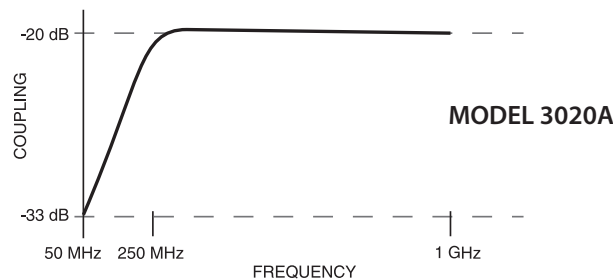
Model 3020A is usable down to 10 MHz; coupling will typically be 42-46 dB at this frequency.
Accessories supplied with all units above: 1 male short, 1 female short

Type N (M/F), 2 to 18 GHz, 200 W

| FREQUENCY RANGE (GHz) | MODEL | NOMINAL COUPLING (dB) | DIRECTIVITY (dB min.) | INSERTION LOSS (dB) | VSWR | | FREQUENCY SENSITIVITY (dB max.) | MAXIMUM DEVIATION FROM NOMINAL (dB) | POWER | | WEIGHT (max.) | |
|-----------------------|-------|-----------------------|------------------------------|---------------------|--------------|----------------|---------------------------------|-------------------------------------|-------------|-----------|---------------|-----|
| | | | | | PRIMARY LINE | SECONDARY LINE | | | AVERAGE (W) | PEAK (kW) | oz. | gr. |
| 2-18 | 3060 | 30 | 2- 8 GHz: 20 8-18 GHz: 15 | 0.5 | 1.40 | 1.60 | ±1.5 | ±1.4 | 200 | 3 | 15 | 425 |

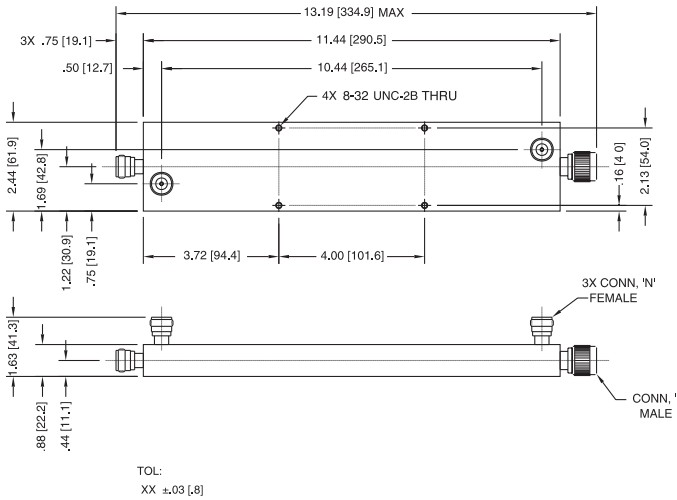
CONNECTORS: Primary Connectors Type N - female (Type N - male optional); Secondary Connectors Type N - female (SMA - female optional)

| CALIBRATION FREQUENCIES | | |
|---|-----------------------------------|-------------------------|
| 3020A (MHz) | 3022 (GHz) | 3024 (GHz) |
| 50, 150, 250, 300, 400, 500, 600, 700, 800, 900, 1000 | 1.0, 1.5, 2.0, 2.5, 3.0, 3.5, 4.0 | 4.0, 5.0, 6.0, 7.0, 8.0 |

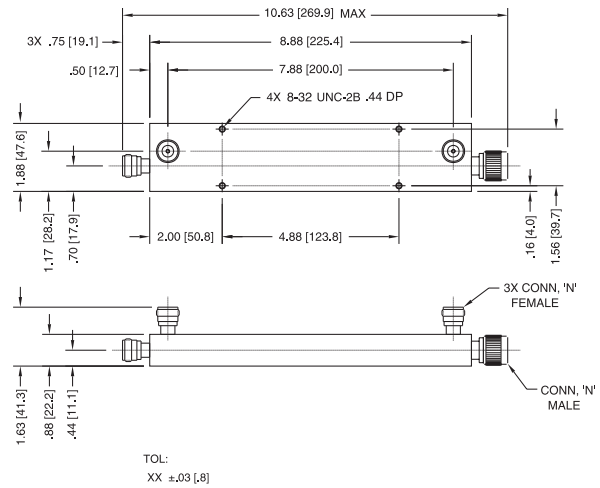


Couplers

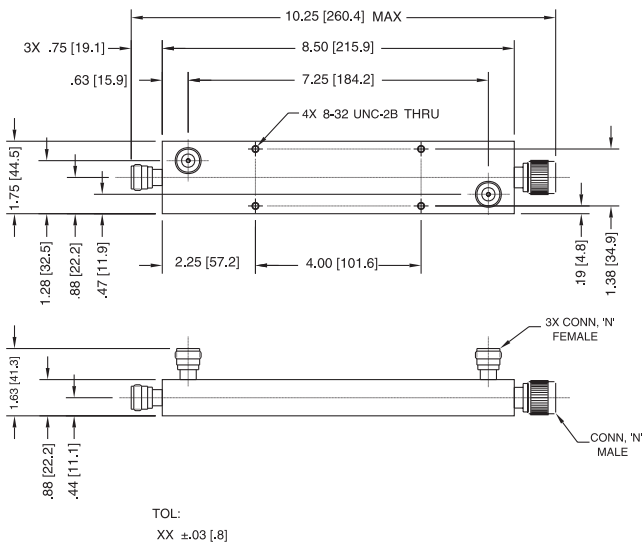
Outline Drawings



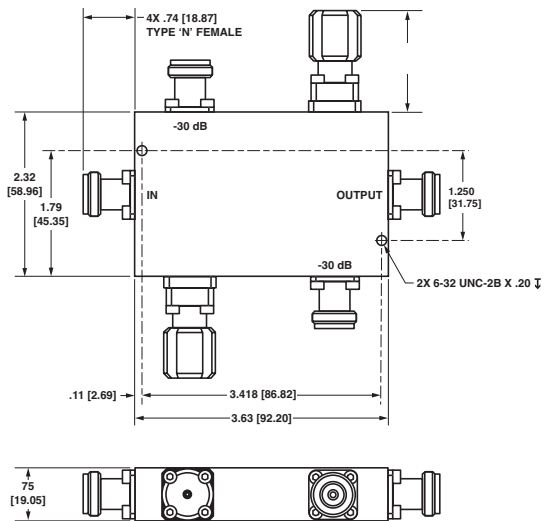
MODEL 3020A



MODEL 3022



MODEL 3024



MODEL 3060

Dimensions in inches (mm in parentheses), unless otherwise specified.