

AM/FM SYNTHESIZED SIGNAL GENERATOR

2018 (Code No. 52018-900F)

80 kHz - 520 MHz

AND

2019 (Code No. 52019-900C)

80 kHz - 1040 MHz

AMENDMENT RECORD

The following amendments are incorporated in this manual.

<i>Amendment No.</i>	<i>Date</i>	
	Sep. 81	118401/001
Am. 1	July 82	118405/001
Am. 2	June 83	118421/001
Am. 3	Apr. 85	118432/001

©
1981

MARCONI INSTRUMENTS LIMITED
ST. ALBANS HERTFORDSHIRE ENGLAND.

AM/FM SYNTHESIZED SIGNAL GENERATOR

2018 (Code No. 52018-900F)

80 kHz - 520 MHz

AND

2019 (Code No. 52019-900C)

80 kHz - 1040 MHz

AMENDMENT RECORD

The following amendments are incorporated in this manual.

<i>Amendment No.</i>	<i>Date</i>	
	Sep. 81	118401/001
Am. 1	July 82	118405/001
Am. 2	June 83	118421/001
Am. 3	Apr. 85	118432/001

©
1981

MARCONI INSTRUMENTS LIMITED
ST. ALBANS HERTFORDSHIRE ENGLAND.

CONTENTS

PRELIMINARIES

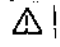

Title page
Contents
Notes and cautions

CHAPTERS

1	General information	} These chapters are contained in a separate Operating Manual Vol. 1.
2	Installation	
3	Operation	
4	Technical description	
5	Maintenance	
6	Replaceable parts	
7	Servicing diagrams	
8	Modifications and supplements	

HAZARD WARNING SYMBOLS

The following symbols appear on the equipment

<i>Symbol</i>	<i>Type of hazard</i>	<i>Reference in manual</i>
	Static sensitive device	Page (iv)
	Component containing beryllia	Page (iv)

Note...

Each page bears the date of the original issue or the code number and date of the latest amendment (Am. 1, Am. 2 etc.). New or amended material of technical importance introduced by the latest amendment is indicated by triangles positioned thus ► ◀ to show the extent of the change. When a chapter is reissued the triangles do not appear. Any changes subsequent to the latest amendment state of the manual are included on inserted sheets coded C1, C2 etc.

SECURITY NOTICE

Second functions are grouped into three levels of operation. Access to the first two groups, Normal and First level operation can be freely gained by carrying out the unlocking procedures described in both Operating manual and Service manual. Details for accessing the Second level operation however, are only included in the Service manual. Some user units may wish to further restrict the distribution of this information to selected calibration areas only. To enable this, an alternative Chapter 4, page 37/38a has been included which has the unlocking procedure deleted. Users may then withdraw either page 37/38 or 37/38a as required.

Chapter 4

TECHNICAL DESCRIPTION

CONTENTS

Para.				
1	Introduction			
6	Overall technical description			
9	Digital control system			
14	Frequency synthesizer and signal processing			
25	Modulation control system			
31	Detailed technical description (board level)			
31	AA1 - LSD loop			
36	AA2 - Microprocessor system			
43	AA3 - Frequency standard			
47	AB1 - Output v.r.d.			
55	AB2 - Divide-by-two chain and f.m. drive			
61	AB3 - RF oscillators board			
66	AB4 - Output phase detector			
80	AB5 - Voltage controlled crystal oscillator (VCXO) loop			
89	AC2 - Beat frequency oscillator (BFO) system			
92	AC3/AC13 - Filter and frequency doubler board			
103	AC4 - Output amplifier			
111	Electronic fine attenuator			
114	Insertion loss control (ILC)			
117	AM processing			
122	AC5 - Amplitude modulator			
125	AD1 - Display board			
132	AD2 - Motherboard			
135	AD3 - Modulation oscillator and f.m. control			
143	AD4 - Keyboard			
148	AE1 - Power supply board			
152	ATO - 10 dB step attenuator			
154	RPP - Reverse power protection			
156	AT2 - Attenuator control			
162	AGO - GPIB adaptor module			
165	Second function operations			
Fig.				Page
1	Simplified block diagram of 2018/2019 frequency synthesis and signal processing	2
2	LSD loop (AA1)	8
3	Microprocessor system (AA2)	10
4	Internal/external frequency standard (AA3)	12
5	Output v.r.d. simplified block diagram (AB1)	13
6	Divide-by-two chain and f.m. drive (AB2)	15
7	RF oscillators board (AB3)	17
8	Output phase detector (AB4)	18
9	VCXO loop (AB5)	21
10	BFO system (AC2)	23
11	Filter and frequency doubler board (AC3/AC13)	24
12	Output amplifier (AC4)	27
13	Amplitude modulator (AC5)	30
14	Modulation oscillator and f.m. control (AD3)	33

INTRODUCTION

1. The 2018 is an 80 kHz to 520 MHz synthesized signal generator providing calibrated output levels from -127 dBm to +13 dBm. 2019 is an 80 kHz to 1040 MHz synthesized signal generator similar to 2018 except that a frequency doubler circuit enables it to cover frequencies up to 1040 MHz with the same output level range. The output frequency of both 2018 and 2019 is phase locked to a frequency standard and can be set to a resolution of 10 Hz at frequencies up to 520 MHz and to a resolution of 20 Hz above 520 MHz (2019 only).
2. Both instruments can be frequency modulated or amplitude modulated from external or internal modulation sources. The internal modulation source provides five fixed modulation frequencies; re-selection of components within the instrument allows alternative frequencies to be set if required.
3. Calibrated output levels from -127 dBm to +13 dBm (0.2 μ V to 2 V e.m.f.) in the c.w. and f.m. modes and up to +7 dBm (1 V e.m.f.) in the a.m. mode are provided. A choice of nine output level calibration units can be obtained on the front panel. The r.f. output level can be set to a resolution of 0.1 dB or better over the entire output voltage range and features a total cumulative accuracy of ± 1 dB up to 520 MHz (± 2 dB, 520 MHz - 1040 MHz). Protection against the accidental application of up to 50 W of reverse power is provided by a fast responding reed relay.
4. Front panel operation is carried out by direct entry of required settings via the keyboard. Microprocessor control ensures maximum flexibility and allows programming by the General Purpose Interface Bus (GPIB). This facility is offered as an optional accessory enabling the instrument to be used both as a manually operated bench instrument or as part of a fully automated test system. Facility is also made for the use of an external standard reference when this is preferred.
5. A second function mode of operation includes means of setting the GPIB address, selection of alternative r.f. level calibration units, access to various calibration routines and a facility to aid diagnostic fault finding.

OVERALL TECHNICAL DESCRIPTION

6. The 2018/2019 signal generator is divided into three main areas. The first area is the digital control system by which the microprocessor board AA2 receives and sends data to the various p.c.b's in the instrument. This is accomplished by means of an internal instrument bus.
7. The second area consists of a frequency synthesizer and the analogue signal conditioning circuits that are controlled by the data bus in order to produce the required output signal.
8. The third area is the modulation control system controlling the audio signals used to amplitude modulate (a.m.) or frequency modulate (f.m.) the carrier output.

Digital control system

Circuit diagram : Chap. 7, Fig. 3

9. The internal data bus consists of a total of 17 control lines. The first eight lines D0 to D7, are data lines. The data bus is bi-directional e.g. data may be input into the microprocessor via the front panel keyboard or control data can be sent to the data latches from the microprocessor.

10. The next four lines A0 to A3, are address lines. These are used to control the address of the latch to which the data is to be sent or from which data is being read.

11. The following four lines A4 to A7 are data valid lines. A0 to A3 lines are fed to address decoders and with it one of the data valid lines A4, A5, A6 or A7 is connected to each address decoder. Only when this line is activated '0' low is the decoder enabled, and its decoded output then activates the required data latch.

12. The last control line A8 is the GPIB interrupt line. This line calls for the microprocessor to service the GPIB module.

13. Bus interconnections are shown in Chap. 7, Fig. 5 Servicing diagrams. The microprocessor AA2 serves as the motherboard in the top r.f. box. Some of the data is latched on AA2 in order to minimize the number of interconnections. The addresses of the other latches are also decoded on AA2 to minimize interconnections. The entire 17 line data bus is connected to AD2 motherboard via an r.f. filter box. The filter box ensures that r.f. signals are not conducted down the data bus. From the motherboard the data bus is distributed to the boards outside the top r.f. box. A further connection is made to the lower r.f. box containing AC2, AC3, AC4 and AC5 via a second filter box.

Frequency synthesizer and signal processing

Circuit diagram : Chap. 7, Fig. 1

14. The frequency synthesizer provides a stable frequency source at the output of AB3 RF oscillators board covering the frequency range 260 MHz to 520 MHz that is phase locked to the internal frequency standard, board AA3 with a resolution of 10 Hz. As an aid to deriving the frequency at any point in the synthesizer the output frequency from AB3 is considered to be of the form

$$f_0 = m \times 100000 + n \times 10$$

where m is between 2600 and 5200
n is between 0000 and 9999

If an output frequency of 512.34567 MHz is selected then $m = 5123$ and $n = 4567$. and the output

$$f_0 = \frac{2(m-1)}{200} \left[10^7 + \frac{(10^4 + n) 10^3}{m-1} \right]$$

Intermediate frequencies at significant points within the synthesizer are given as f_1 , f_2 , f_3 and f_4 and are shown on the simplified block diagram Chap. 7, Fig. 1. Each frequency can be determined by applying one of the following formulae :

$$f_1 = (10^4 + n) 10^3 = 14.567000 \text{ MHz}$$

$$f_2 = \frac{(10^4 + n) 10^3}{m-1} = 2.844006 \text{ MHz}$$

$$f_3 = 10^7 + \frac{(10^4 + n) 10^3}{m-1} = 10.002844 \text{ MHz}$$

$$f_4 = \frac{10^7 + \frac{(10^4 + n) 10^3}{m-1}}{200} = 0.05001422 \text{ MHz}$$

$$f_0 = \frac{2 (5122)}{200} \left[10^7 + \frac{(10^4 + 4567) 10^3}{5122} \right] = 512.34567 \text{ MHz}$$

15. The least significant digit (l.s.d.) loop, board AA1 phase locks an oscillator covering the frequency range 10 to 20 MHz to multiples of 1 kHz. The resulting signal is divided by $m-1$ in a variable ratio divider (v.r.d.) before being fed to the voltage controlled crystal oscillator (v.c.x.o.) board AB5. Its frequency is then between 2 and 8 kHz.

16. VCXO board AB5 then phase locks to the sum frequency of 10 MHz and the 2 to 8 kHz signal from AA1. The resulting 10.002 to 10.008 MHz signal is divided by 100 before being fed to AB4 Output phase detector board. The phase detector on AB4 is used to lock the oscillators on AB3 to the required output frequency. AB3 output is divided by $2(m-1)$ by a v.r.d. on board AB1. The resulting signal has a frequency of between 50.01 and 50.04 kHz and is fed to AB4.

17. If the instrument has not been set to provide f.m. the phase detector system operates at the frequency of 50.01 to 50.04 kHz. However if f.m. is selected, the phase locked loop bandwidth is reduced to avoid the loop removing the required f.m. The frequencies are then divided by 5 before phase comparison and an alternative phase detector and loop filter is used with a lower gain. The resulting signal from AB3 is therefore a 260 to 520 MHz carrier phase locked to the internal frequency standard and is frequency modulated if required. The divide-by-two system on AB2 divides the output from AB3 so that it can provide output frequencies of between 2.03125 MHz and 520 MHz. The output at this point is a nominal square wave.

18. The output from AB2 is connected via a semi-rigid cable to AC5 Amplitude modulator in the lower r.f. box. AC5 contains a double balanced mixer that is used as an amplitude modulator. The resulting amplitude modulated signal is then passed on to AC3 or AC13 board. These are different versions of the same board, AC3 Filter board in 2018, or AC13 Filter and frequency doubler board in 2019. If the output signal level from the instrument is required to be greater than +7 dBm then AC5 is set to give its peak envelope power of nominally -5 dBm provided the amplitude modulation is off. The output from AC5 is nominally a square wave.

19. The signal into AC3/AC13 is divided into two main paths. Frequencies of 2.03125 MHz to 32.5 MHz are routed via a buffer amplifier to a bank of filters operating in a 200 Ω characteristic impedance system. The filters convert the square wave into a sinusoidal signal. In order to generate a 0.08 to 2.03125 MHz band a 10 MHz to 12.03125 MHz signal is routed to AC2 BFO system where the signal is mixed with 10 MHz from the internal frequency standard and filtered to produce an 80 kHz to 2.03125 MHz sine wave. Frequencies below 80 kHz may be selected but the accuracy of the r.f. level output will be impaired.
20. The output from AC2 is a nominal 40 mV, 80 kHz to 32.5 MHz sine wave operating in a 200 Ω system. This signal is fed to AC4 Output amplifier board where it is amplified by a variable gain amplifier, the gain of which is controlled by two j.f.e.t.'s used as voltage controlled variable resistors. The output from the variable gain amplifier is connected to the output stage amplifier where the output signal level is detected by an r.f. detector. The resulting d.c. signal is compared to a variable reference voltage by a comparator. The comparator output controls the gain of the j.f.e.t. variable amplifier so as to obtain the correct output level from AC4.
21. The 32.5 MHz to 520 MHz signal on AC3/AC13 is switched to an amplifier and a 520 MHz low-pass filter. If the instrument is a 2019 the signal can then be switched to a frequency doubler and filter system to generate a 520 to 1040 MHz signal.
22. In both 2018 and 2019 the signal from the 520 MHz low-pass filter goes through a filter bank to produce a sinusoidal output signal which is then fed to AC4 output amplifier.
23. The 32.5 to 520 MHz (or 1040 MHz for 2019) signal is amplified by a pin diode controlled variable gain amplifier and is then connected to the output stage. The output level from AC4 is controlled by an a.l.c. system consisting of an r.f. detector, comparator and two variable gain amplifiers (j.f.e.t. and pin diode controlled). The level is normally varied over the range +7 dBm to -3 dBm by controlling the reference voltage to the a.l.c. If levels greater than +7 dBm are requested and the a.m. is off the level is increased up to a maximum of +13 dBm. The reference voltage to the a.l.c. is also varied to compensate for the insertion loss of the attenuator, cables and connectors that connect the output signal to the front panel.
24. The attenuator provides electro-mechanical attenuation of the output signal from AC4. Provision is made to attenuate the output signal in 10 dB increments from 0 dB to 120 dB. The attenuator output is connected to a reverse power protection system (RPP) which protects the attenuator pads from the accidental application of reverse power. The RPP uses a coaxial reed relay to open circuit the output of the signal generator and can be reset from the front panel or by the GPIB.

Modulation control system

Circuit diagram : Chap. 7, Fig. 1

25. The internal modulation oscillator is a Wien bridge type and can be programmed to provide one of five fixed frequencies. These can be altered by the user simply by changing two resistor values for each frequency. If internal modulation is selected the modulation oscillator is connected to the MOD INPUT/OUTPUT socket on the front panel. If external modulation has been selected the modulation oscillator is disconnected from the front panel and the external source is connected directly to the two attenuators shown on the simplified block diagram Chap. 7, Fig. 1.
26. The audio a.l.c. uses a j.f.e.t. controlled attenuator to produce a fixed output audio voltage provided that the input audio voltage is between 0.8 V and 1.2 V r.m.s. If external modulation is selected the audio a.l.c. may be switched on or off by the front panel MOD ALC key. If internal modulation is in use audio a.l.c. is always switched on.
27. The a.m. signal is amplified on AD3 board and routed via the motherboard AD2 to the filter box on the lower r.f. box and then to AC5 Amplitude modulator. An 8 bit digital to analogue (D-A) converter is used to control the audio level according to the required modulation depth.
28. The f.m. signal is connected to an 8-bit D-A which controls the signal level in accordance with the f.m. tracking data. This data is stored in the microprocessor board AA2 EAROM store. The f.m. tracking data is stored at 84 frequencies across the fundamental octave band of the instrument (260 to 520 MHz). The microprocessor provides a straight line interpolation between these carrier frequency points and sends the resulting data to the 8-bit D-A.
29. The signal is then processed by a 10-bit D-A, this controls the signal level in accordance with the required f.m. deviation. The 10-bit D-A also takes account of the scaling factors introduced by following D-A's and the frequency division of the carrier by the r.f. signal conditioning circuit.
30. The f.m. drive signal is attenuated by an 8-bit D-A which divides the audio signal level by successive factors of two. This effectively sets the f.m. range. The signal is then fed to a filter box on the upper r.f. box, and from there to AB2 Divide-by-two chain and f.m. drive board. This board provides further variable division of the signal level by factors of four using reed relay switches to provide further scaling of the f.m. range. The output of AB2 is then connected to AB3 RF oscillators to frequency modulate the oscillator.

DETAILED TECHNICAL DESCRIPTION (BOARD LEVEL)

(AA1) - LSD loop

Circuit diagram : Chap. 7, Fig. 6

31. This board contains the circuits which control the four least significant digits (LSD) of the carrier wave output frequency. The board provides the reference input to the phase detector on the voltage controlled crystal oscillator (VCXO) loop AB5. Control data for the LSD loop is brought to four 8-bit latches IC8 to IC11 via the instrument bus.
32. The LSD loop consists of a phase locked loop built around a 10-20 MHz voltage controlled oscillator (VCO) whose output is divided by a five decade variable ratio divider (VRD) and then fed to a phase detector where it is phase compared with a 1 kHz reference signal derived from the frequency standard board AA3. The output from the phase detector is filtered and the resulting d.c. signal is used to control the VCO. The control voltage changes the VCO frequency so as to annul any phase error at the phase detector, and establish phase lock. The modulus of the VRD controls the frequency of the VCO.
33. After buffering, the VCO signal is fed to each clock input of the five decade counters IC3 to IC7 comprising the VRD. The VRD will count upwards whilst the 8 (QD) and 1 (QA) output of each counter are monitored by a multi-input NAND gate IC16. When all the monitored outputs reach the high state the RESET line will go low '0'. On the arrival of the next clock pulse, the data held in the latches IC8 and IC9 is loaded into the counters. The data consists of the nines complement of the required division ratio (IC7 is hard-wired to load in 8). Because a clock pulse is required for reloading the counter this pulse does not increment the counter. To compensate for this missed pulse the NAND gate IC16 is wired to detect the VRD state 99998 for the end of each count sequence rather than 99999. The VRD is capable of dividing by any integer value between 10000 and 19999.
34. The RESET line in the VRD also drives one input of the phase detector, IC1, the other being driven by the 1 kHz reference signal. If the RESET frequency is below 1 kHz, a stream of current pulses will be driven into the loop filter (C1, C2, R1) by transistor TR2, this raises the VCO control voltage causing the RESET frequency to rise towards 1 kHz. Similarly if the RESET frequency is above 1 kHz, a stream of current pulses will be drawn from the loop filter by transistor TR3 to lower the control voltage. When phase coincidence is obtained, equal but opposite pulses by TR2 and TR3 are produced thus maintaining the correct control voltage; these pulses are typically 30 nanoseconds wide.
35. Another buffered output from the VCO goes to a four decade VRD (IC12 to IC15) which works in a similar manner to the one described above. The micro-processor ensures that the modulus of this VRD falls between 2599 and 5199, according to the required carrier wave output frequency. The LSD signal output is available at PLBN and has a frequency range of approximately 2 kHz to 8 kHz.

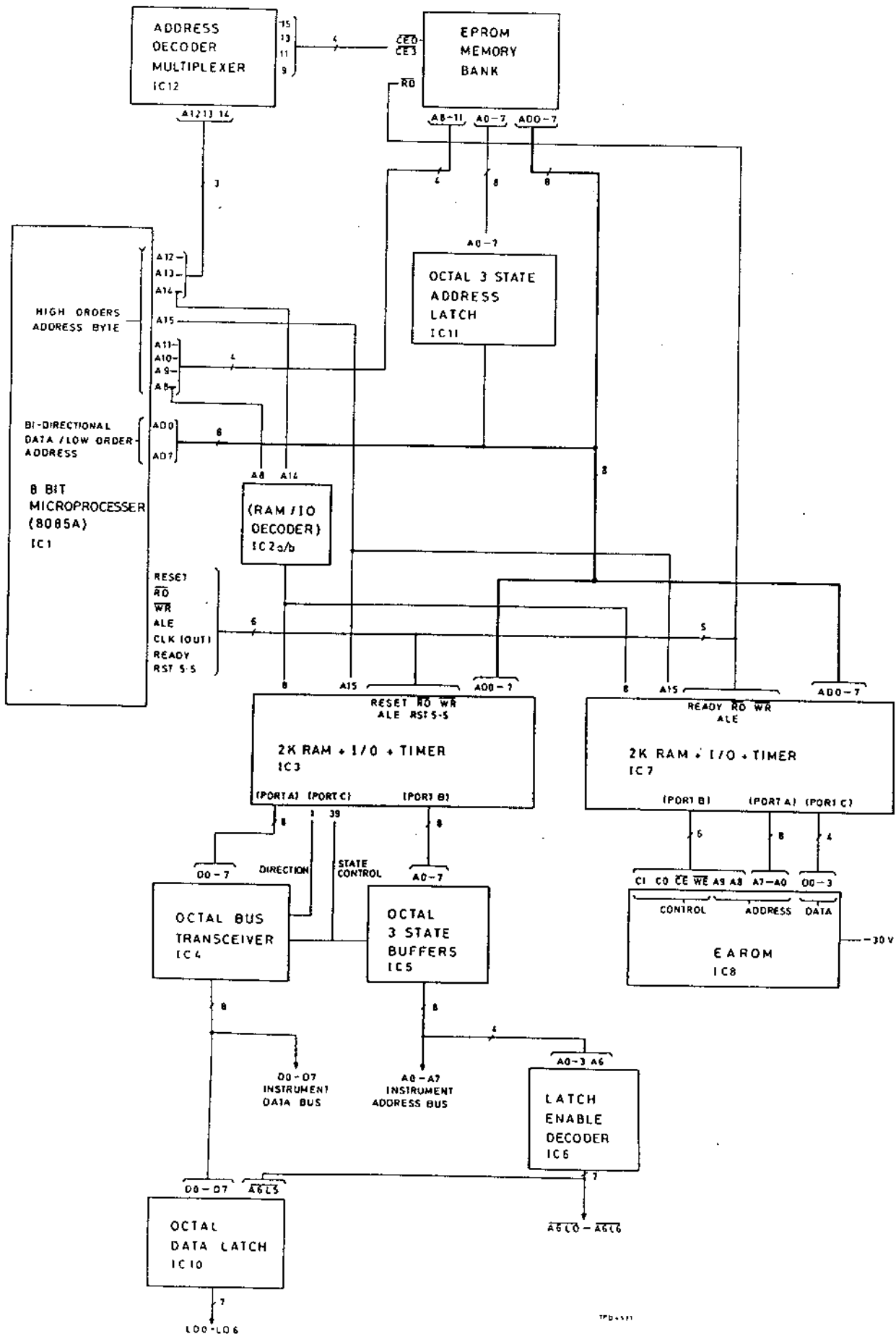


Fig. 3 Microprocessor system (AA2)

(AA2) - Microprocessor system

Circuit diagram : Chap. 7, Fig. 7

36. The microprocessor board AA2 contains the whole system necessary to drive both address and data bus lines which control the instrument. The 8085A microprocessor IC1 has an 8-bit multiplexed data/low order address bus which is demultiplexed by the latch IC11.
37. The program is contained in IC13, 14, 15 and 16, all of which are ultra violet-erasable PROM's. These are enabled by IC12 which decodes A12 and A13 of the address bus, and is itself disabled by A14 high (addresses 4000 to 7FFF hexadecimal). The program space is thus contiguous from address 0000 to 3FFF.
38. IC3 and IC7 each contain 256 bytes of RAM (read/write), which is addressed contiguously from address 4000 to 41FF. Port A (pins 21 - 28) in IC3 carries the instrument's 8-bit bi-directional data bus via a bus transceiver IC4, and Port B (pins 29 - 36), the instrument's address bus. This is in the form of 4 address lines (bits A0 - A3) and uncoded data valid lines (bits A4 - A7) giving a total of 64 available latch addresses.
39. The mode of operation of the address bus is that the required address is presented to the bus with bits A4 - A7 high and the bus is allowed to settle. Then the required data valid line is activated by pulling it low, which either latches the information on the data bus onto the addressed latch (for outputs from the microprocessor) or allows the addressed data source to drive the data bus (for inputs to the microprocessor: either from keyboard or GPIB board). The data valid lines are thus only activated when a valid (and stable) address is present on the other 4 address lines. The direction of the data bus buffer is controlled by a line on Port C of IC3 (pin 39).
40. IC6 is the decoder for the first 7 addresses served by data valid line A6 (i.e. it supplies chip enables corresponding to bus addresses A6L0 to A6L6), and IC10 is the A6L5 data latch, used to hold the information which selects which oscillator is in use via AB4, and other signal routing information on AA3.
41. The three ports on IC7 are used to control the data flow in and out of IC8, which is a 4k bit non-volatile read/write memory. Since the memory is arranged as 1k x 4 bit bytes, there are 4 data lines and 10 address lines, so whilst the data bits are on Port C (pins 1, 37-39), the address lines are divided between Port A (pins 21-28), which carries the least significant 8 bits, and Port B (pins 29-34), which carries A8 and A9 in addition to the 4 control lines required to instruct IC8.
42. In order to write into or erase IC8, a supply of -30 V must be made available. To avoid accidental corruption of the stored data, this supply is made software switchable (via pin 35 of IC7 Port C), and incorporates protection circuitry to avoid accidental enabling of the supply when switching on and off. The -30 V is generated by a diode-capacitor voltage doubler (D5, D6 and C17) fed from TR5 and TR6, which are in turn driven by an oscillator, part of IC9. This is switched on or off by TR1 and TR7. TR8 and TR9 form a network to detect the failure of the +5 V supply when the instrument is switched off, ensuring that the oscillator is also held off. TR2 and TR3 ensure that whenever the oscillator is stopped, the -30 V supply is pulled up to +5 V: TR4 acts as a buffer to switch off the -30 V output when this pull up occurs.

(AA3) - Frequency standard

Circuit diagram : Chap. 7, Fig. 8

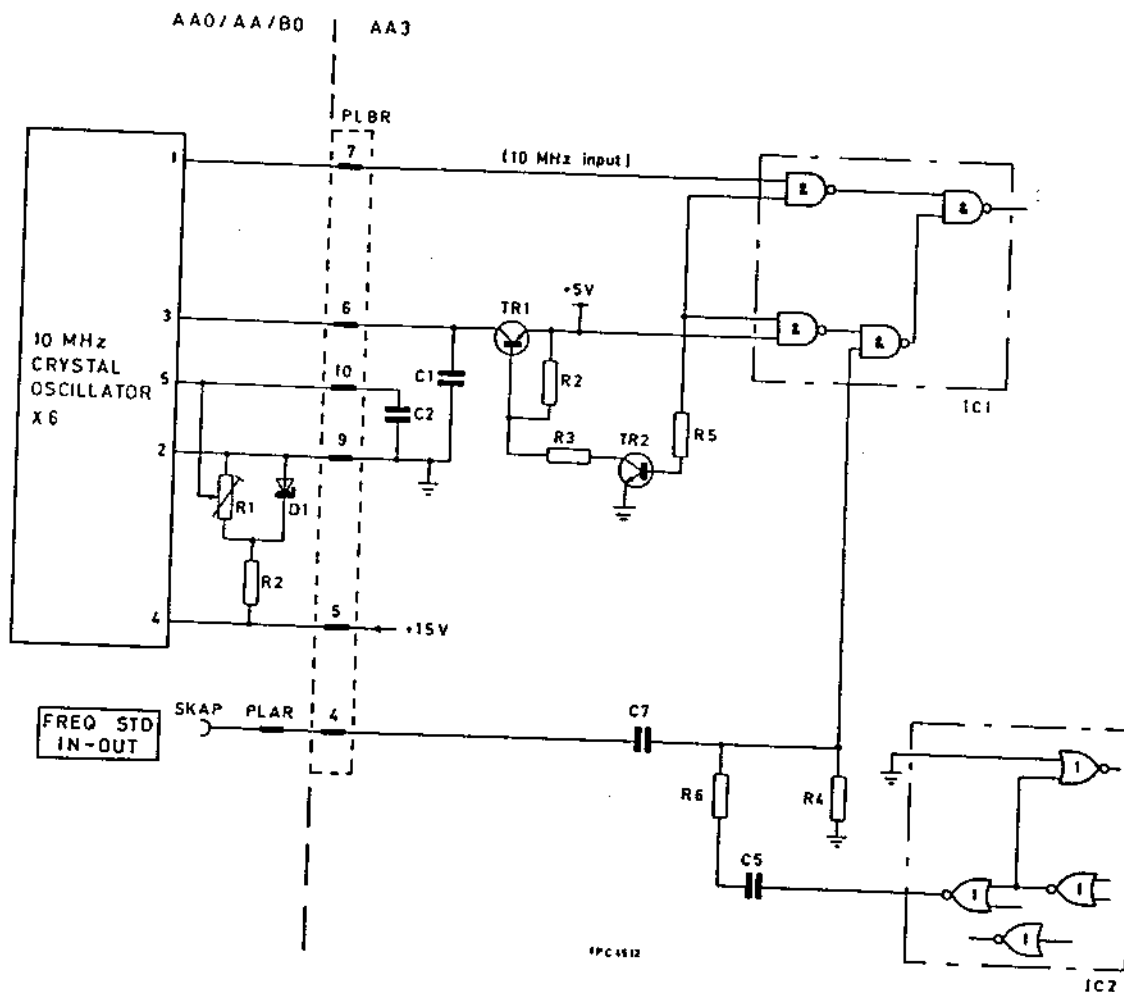


Fig. 4 Internal/external frequency standard (AA3)

43. The purpose of board AA3 is to select the required frequency standard and to distribute the necessary reference frequencies derived from the standard throughout the instrument. Control data is brought on two lines from a latch on the microprocessor AA2, via feedthrough capacitors and PLBP pins 5 and 10. If the INT/EXT STD line is high, the voltage supply to the temperature controlled crystal oscillator is turned on and its 10 MHz output frequency appears on PLBR pin 7.

44. The potentiometer AA0, R1 provides the means of trimming the crystal oscillator frequency. The oven supply is permanently on and is drawn from PLBR, pin 5. The logic gates are enabled so that the 10 MHz signal appears on IC1 pin 3. The output of IC1 is fed to the VCXO loop, AB5, via TR3, and also to the rear panel via PLBR, pin 4. The output to the VCXO loop is nominally a sine wave, the square wave drive being filtered by the tuned circuit L1 and C9. The 10 MHz standard is also divided down to 1 kHz by $\div 100$ dividers IC3, IC4 and then routed to the LSD loop via PLBP pin 13.

45. If the INT/EXT line is low the internal crystal oscillator is switched off and PLBR, pin 4 is used to input the external frequency standard from the rear panel socket.

46. If the BFO $\overline{\text{ON}}$ line is low another 10 MHz output is taken from IC3 (whichever standard, INT or EXT is in use) and fed via BLBR pin 14. This is used to generate the BFO band of 80 kHz to 2.03125 MHz on AC2. The diode DI provides isolation when the BFO system is not in use.

AB1 - Output v.r.d.

Circuit diagram : Chap. 7, Fig. 9

47. The board AB1 contains the high speed variable ratio divider (v.r.d.) which is used in the output phase locked loop to control the four most significant digits of the carrier wave output frequency. The v.r.d. is driven by a signal from the r.f. oscillator board, AB3, and provides the signal for the output phase detector, AB4. Control data for the v.r.d. is fed to two eight bit latches IC4 and IC5 via the instrument bus.

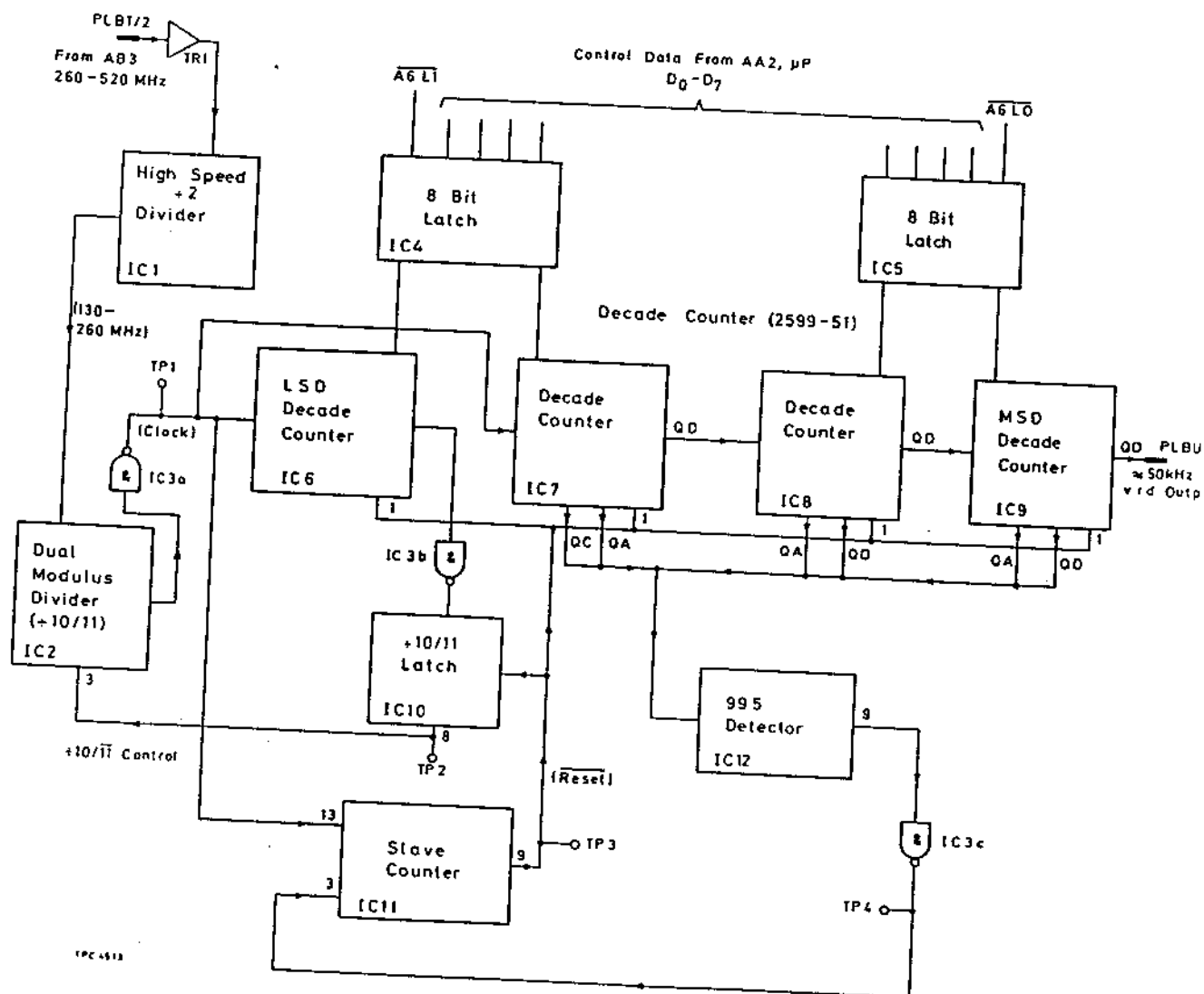


Fig. 5 Output v.r.d. simplified block diagram (AB1)

48. The r.f. input signal of approximately -6 dBm is amplified by TR1 and fed to a divide-by-two prescaler, IC1, to produce a frequency between 130 - 260 MHz at the input to IC2, pin 1. To operate at such a high speed a dual modulus (divide-by-10/11) counter system is used.
49. The dual modulus counter, IC2, initially divides by 11 its control line $\overline{10/11}$ low, when the control line is high its modulus is 10. The state of this control line can change at any time whilst counting, but before the arrival of the eleventh pulse. Thus the time period available for a change of the control line is approximately ten times the input clock period.
50. The output from the 10/11 counter drives the clock line, (TP1), for the chain of the presettable decade counters. Each counter is loaded with a nines complement number and counts upward with each pulse (falling edge at each pin no. 8). The two least significant counters, IC6 and IC7 are incremented simultaneously.
51. The 10/11 counter IC2 starts in the modulus 11 mode. After every 11 input pulses IC6 and IC7 are both incremented. When IC6 output reaches 9 (1001 in b.c.d.) a low level appears at IC3b, pin 3 causing TP2 to go high to set the 10/11 counter to divide by 10. IC7 is then incremented every 10 input pulses.
52. IC8 and IC9 are driven in cascade from IC7. IC6 will continue to count but there will be no further change at TP2 until the RESET pulse occurs. "The early decode" method is used at the end of each v.r.d. sequence in order to reset the decade counters for the next sequence. When the counters IC7, IC8 and IC9 reach the state 995, TP4 is asserted high, and the last four pulses at TP1 are counted by IC11 slave counter.
53. The pulse 997 will cause the RESET control line TP3 to be asserted low. This reloads the four decade counters to the nines complement data held in the 8-bit latches IC4 and IC5. Pulse 999 will cause TP3 to assert high once more to enable the counters and also to clock the flip-flop IC10 resetting TP2 low. This reverts IC2, the dual modulus counter to the modulus 11 mode and so the v.r.d. is ready for the next count sequence.
54. The microprocessor AA2 ensures that the modulus of the v.r.d. falls between 2599 and 5199 according to the required carrier wave output frequency. The v.r.d. output is taken from the '8' output (QD) of IC9 to PLBU, pin 2 and has a frequency of just over 50 kHz.

AB2 - Divide-by-two chain and f.m. drive

Circuit diagram : Chap. 7, Fig. 10

55. Board AB2 has two functions, the majority section is used for the divide-by-two chain and a minor section for the f.m. drive. The purpose of the divide-by-two chain is to divide the carrier frequency from AB3 down to the carrier frequency selected by the front panel keyboard or via the GPIB. The input frequency to AB2 is between 260 MHz and 520 MHz. Up to seven divide-by-two elements can be switched in to provide frequency cover from 260 MHz down to 2.01325 MHz.
56. If no division of the basic frequency is required (frequencies in the range 260 MHz - 520 MHz) the signal is instead routed directly to the output socket SKBX. Frequencies below 2.01325 MHz are derived on a different board, for details see (AC2) BFO system.

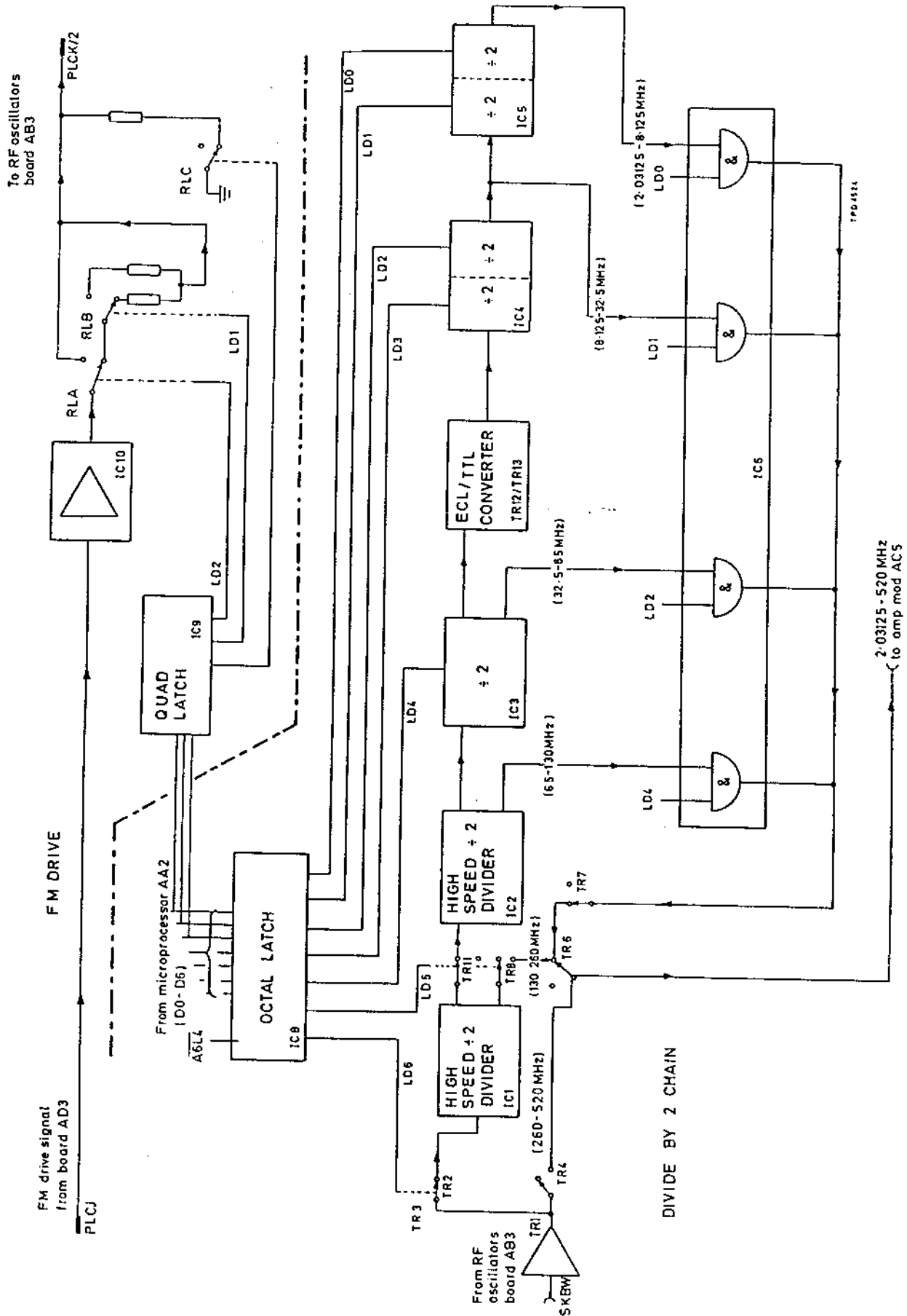


Fig. 6 Divide-by-two chain and f.m. drive (AB2)

57. Seven bits of control data from AA2 microprocessor D0 - D6 are used to control the dividers, these are fed to IC8 octal latch via the instrument bus. Different logic technologies are used to implement the chain of dividers and consequently different methods are used to switch elements in and out.

58. The input signal of approximately -6 dBm comes in on SKBW and is amplified by TR1. It is then routed according to the state of latch output LD6 either

(1) To the output socket SKBX via TR4, other control lines ensure that TR6 is held off, or

(2) The state of LD5 controls the divided signal of IC1 which is either routed through TR8 and TR6 to the output (TR4 and TR7 both held off) or alternatively, used to clock the second divider IC2.

(3) Similarly, LD4 determines whether the output from IC2 is routed through IC6, TR7 and TR6 to the output or is used to clock the next divider IC3 and so on. Transistors TR12 and TR13 form an e.c.l. to t.t.l. interface. The two flip-flops in IC4 are driven synchronously with the control lines setting the division to divide-by-two or four as required. IC5 operates in a similar way.

59. The divider outputs are gathered together in an e.c.l. wired-OR configuration (IC6, TR7, TR8) so that at the output socket SKBX, all frequencies from 2.03126 - 520 MHz are available the nominal level being 0 dBm.

60. The f.m. drive circuit on AB2 provides the coarse adjustment of the f.m. drive voltage delivered to the r.f. oscillators on AB3. Three bits of control data D0 - D2 are used and brought to the quad latch IC9 via the instrument bus. The f.m. drive signal is on PLCJ from where it is fed to IC10 voltage follower which in turn drives a network of switched resistors. These are operated by relays RLA, RLB and RLC. With all the relays energized, maximum f.m. drive signal is applied to the r.f. oscillators AB3, and each relay de-energized decreases the drive by a factor of four.

AB3 - RF oscillators board

Circuit diagram : Chap. 7, Fig. 11

61. Board AB3 contains the main oscillators for the instrument. Four oscillators each one covering a quarter octave frequency range between 260 MHz and 520 MHz. Only one oscillator is ever turned on at any time and its output frequency is phase locked to the required output frequency by the phase detector AB4. Each oscillator can be frequency modulated by a signal from AB2. The board is contained in a solid aluminium box to reduce microphony to a minimum.

62. Each oscillator uses a resonant circuit with a maintaining transistor capacitively coupled to maintain oscillation. The tuning inductor is a printed track which can be adjusted using a sliding link. Varactor diodes are used to voltage tune the oscillator. Chip capacitors are used to tap the transistors TR2, 4, 7, 9, into the tuned circuit. This avoids spurious resonances. Care must be taken when attempting to solder chip components, for details see Chap. 5, Maintenance, Introduction. Each oscillator is designed to have a substantially linear f.m. tracking curve which is instrumental in reducing f.m. distortion and noise.

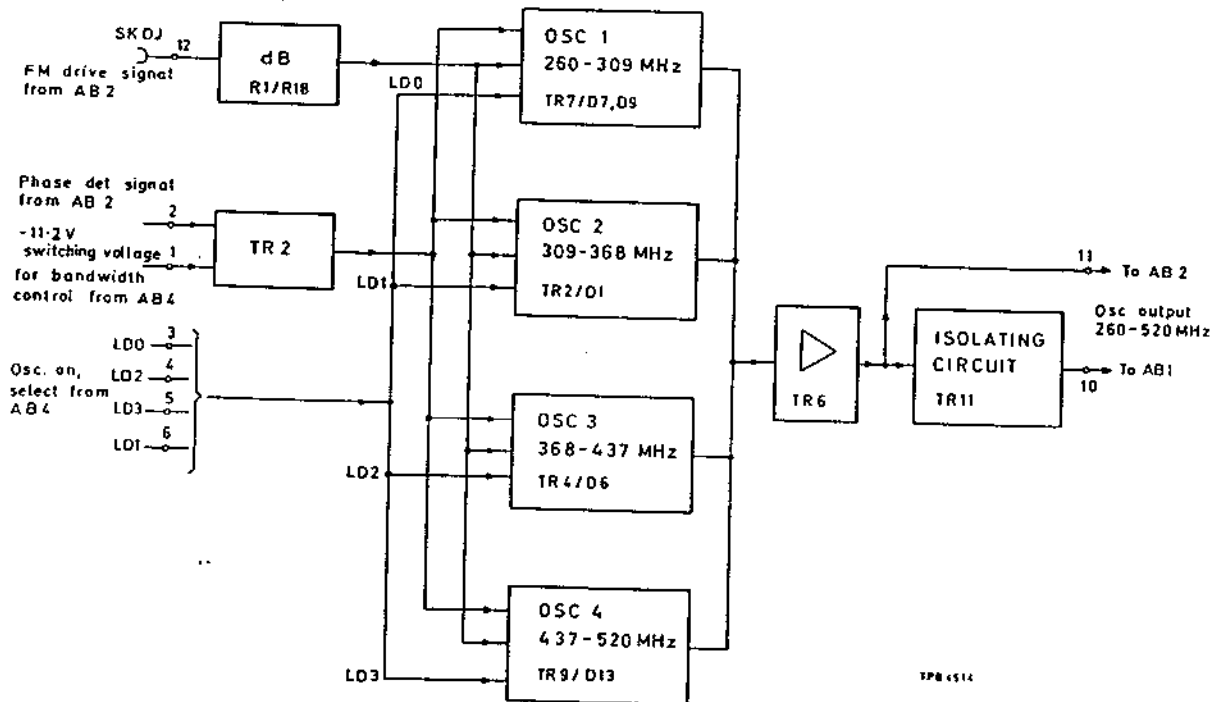


Fig. 7 RF oscillators board (AB3)

63. The required oscillator is turned on by connecting tag 3, 4, 5 or 6 to a negative voltage on AB4. This supplies emitter current to the required maintaining transistor. The collector current of the transistor forward biases diodes connected to its collector and therefore connects the r.f. signal to the amplifier TR6. Two outputs from TR6 are taken, one direct via tag 11 to AB2 board for frequency division, the second is via isolating transistor TR11 and tag 10 to the output v.r.d., AB1, to phase lock the carrier frequency. The nominal output from both tag 10 and tag 11 is -6 dBm.

64. The oscillators are frequency modulated by a signal appearing on tag 12. This signal is attenuated by R18 and R1 and is then applied to the anode of each varactor diode via r.f. chokes L2, L5, L7 and L11. The main frequency control is achieved by the phase detector signal on tag 2. It is connected to the cathode of each varactor via an R-C network consisting of R2, R3, TR1 and C8. When the f.m. is on the phase locked loop bandwidth is low and TR1 is switched off by connecting tag 1 to -11.2 V on AB4. R2 and C8 then have a long time constant and filter signals appearing on tag 2.

65. When the f.m. is off the loop bandwidth is increased in order to reduce the frequency settling time. The j.f.e.t. TR1 is then turned on so that the R-C time constant is formed by R3 and C8. This prevents potential feedback instability.

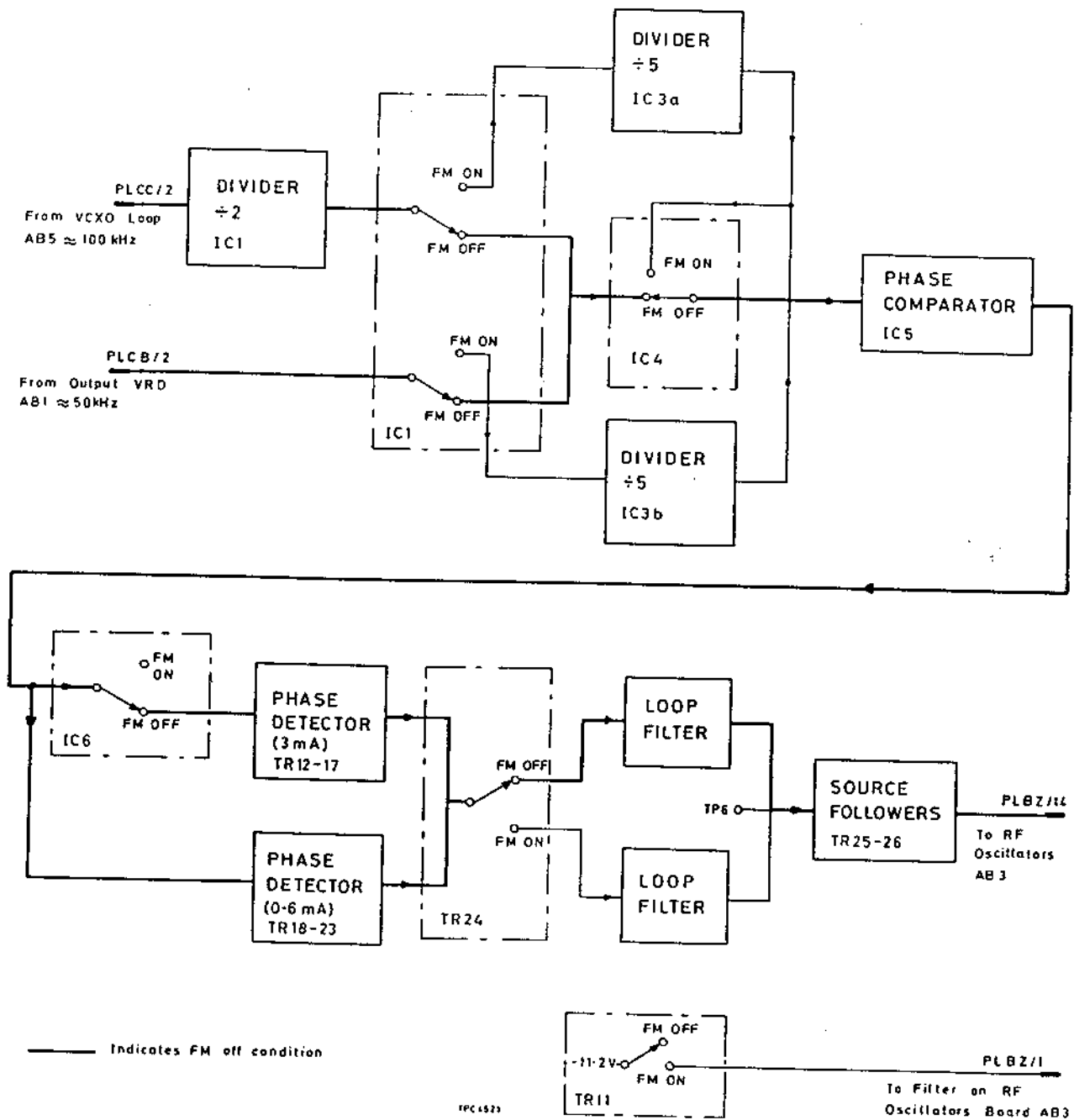


Fig. 8 Output phase detector (AB4)

AB4 - Output phase detector

Circuit diagram : Chap. 7, Fig. 12

66. Board AB4 contains the phase comparator used to lock the output frequency from AB3 output oscillators to the selected frequency. It also contains voltage regulators to provide low noise power supplies for AB3 and transistor switches TR1 - TR4 with IC8, to switch the required AB3 oscillator on.
67. The output from AB5 v.c.x.o. loop inputs on PLCC, pin 2. Its frequency is approximately 100 kHz. The frequency is then divided by two in part of IC1. The resulting 50 kHz square wave is then routed to the phase comparator IC5 by one of two routes. If the f.m. is off the phase locked loop bandwidth is high and the 50 kHz signal is routed via IC4 to IC5.
68. If the f.m. is on, the loop bandwidth should be lower in order to avoid the loop interfering with the required f.m. This is reduced by several methods. The phase detector current is reduced by a factor of 50 and the loop filter time constants are altered by switching in resistors R41, R42. In addition the phase detector operating frequency is changed from 50 kHz to 10 kHz. When the f.m. is on, the divide-by-five circuit in IC3a is enabled by IC1, pin 5 and its output is routed via IC4 to the phase comparator IC5.
69. Similarly the nominal 50 kHz signal from AB1 - Output v.r.d. is routed to the phase comparator, IC5 via IC4 also, and if the f.m. is on its frequency is divided by five in IC3b before reaching IC5 via IC4.
70. In order to minimize any transient frequency change when switching the f.m. on or off the f.m. on/off instruction on PLBY, pin 5 is latched by IC1 so that the divide-by-five circuits of IC3 are synchronously enabled.
71. Phase comparator, IC5 compares the phase of the signals on pins 3 and 11. If the frequency on pin 3 is higher than that on pin 11, IC5 will produce a string of pulses on pin 6. If the frequency on pin 3 is lower than that on pin 11, IC5 will produce a string of pulses on pin 8. When the signals are phase locked by the loop IC5, pins 6 and 8 are normally low except for a 30 ns pulse.
72. Phase detectors, there are two, TR12 to TR17 and TR18 to TR23, these differ only in that the first phase detector operates at 3 mA and the second at 0.06 mA. If the f.m. is off both the phase detectors operate. If the f.m. is on the 3 mA detector (TR12 - TR17) is turned off by IC6 and so the gain of the phase locked loop is reduced. Because both phase detectors operate in a similar manner only one is described.
73. The signal on IC6, pin 11 is level shifted by TR12 and used to control a differential pair formed by TR14 and TR15. The signal on TP1 switches either TR15 or TR14 on. When TR15 is switched on its base voltage is established by the Zener diode D1 and current flows from R21 into TR15. This current charges up the loop filter formed by C14, R42, R41, TR24 and C13. Similarly TR13 level shifts the waveform on IC6, pin 6, in order to control the differential pair TR16, TR17. When TR17 is on charge is drawn out of the loop filter.

74. If the loop loses lock either TR15 or TR17 (assuming f.m. is off) is switched on by the pulses from IC5 and either increases or decreases the charge on the loop filter and hence changes the voltage on TP6 in the direction required to regain phase lock. At phase lock TR15 and TR17 are off except for a nominal 30 ns time interval when both transistors are on. If the f.m. is on TR15 and TR14 are held off and TR21 and TR23 control the loop filter.
75. Loop filter time constants, these are switched by TR24 according to whether the f.m. is on or off. When the f.m. is on TR24 is switched on by TR9. This makes the time constants of C14, C13 short to ensure stability in the loop. If the f.m. is off the loop bandwidth is reduced and the time constants of C13, C14 are increased by turning TR24 off. The loop filter is earthed on the box containing AB3 via PLBZ pin 5. This reduces mains hum and phase detector related interference.
76. The phase detector output on TP6 is buffered by the source follower TR25, transistor TR26 is a second source follower that ensures the source-drain voltage of TR25 is low in order to minimize gate leakage current (j.f.e.t's suffer leakage due to impact ionization if their drain-source voltage is high). The output from TR25 source is then fed to AB3 via PLBZ pin 14 to control AB3 oscillators.
77. The signal on PLBZ, pin 1 controls a filter time constant on AB3 board. When the f.m. is on PLBZ, pin 1 is connected to -11.2 V via TR11. If the f.m. is off, TR11 is switched off and PLBZ, pin 1 is pulled to the same voltage as PLBZ, pin 14 by R49. Note that PLBZ, pin 1 is a high impedance point and can only be monitored by a high impedance probe.
78. IC2 and IC7 are voltage regulators that produce -11.2 V and +11.5 V supplies for use on AB3 and AB4. This ensures that the supplies to oscillators are free from hum and noise.
79. The required oscillator on AB3 is switched on by the circuits formed by TR1 to TR4 and IC8 as determined by the lines LD0 to LD3 derived from AA2 microprocessor board.

AB5 - Voltage controlled crystal oscillator (VCXO) loop

Circuit diagram : Chap. 7, Fig. 13

80. The board AB5 phase locks a v.c.x.o. to a frequency equal to the 10 MHz frequency standard plus the output frequency from AA1, LSD loop. The output from AB5 is used as the reference by AB4 output phase detector.
81. TR1 is the maintaining transistor for a v.c.x.o. using tuning elements L1, L2, D2, XL1, C3 and C4. The Zener diode D1 provides a regulated +12 V supply to the oscillator. The varactor diode, D2, enables the oscillator to be voltage tuned over the frequency range 10.002 MHz to 10.008 MHz.
82. The output signal from TR1 collector is connected to IC1 where the signal is converted to t.t.l. levels. The output from IC1 pin 13 is used to drive IC3 which divides the frequency by 100. The output from IC3, pin 9 is then fed to AB4 via PLCF, pin 2.

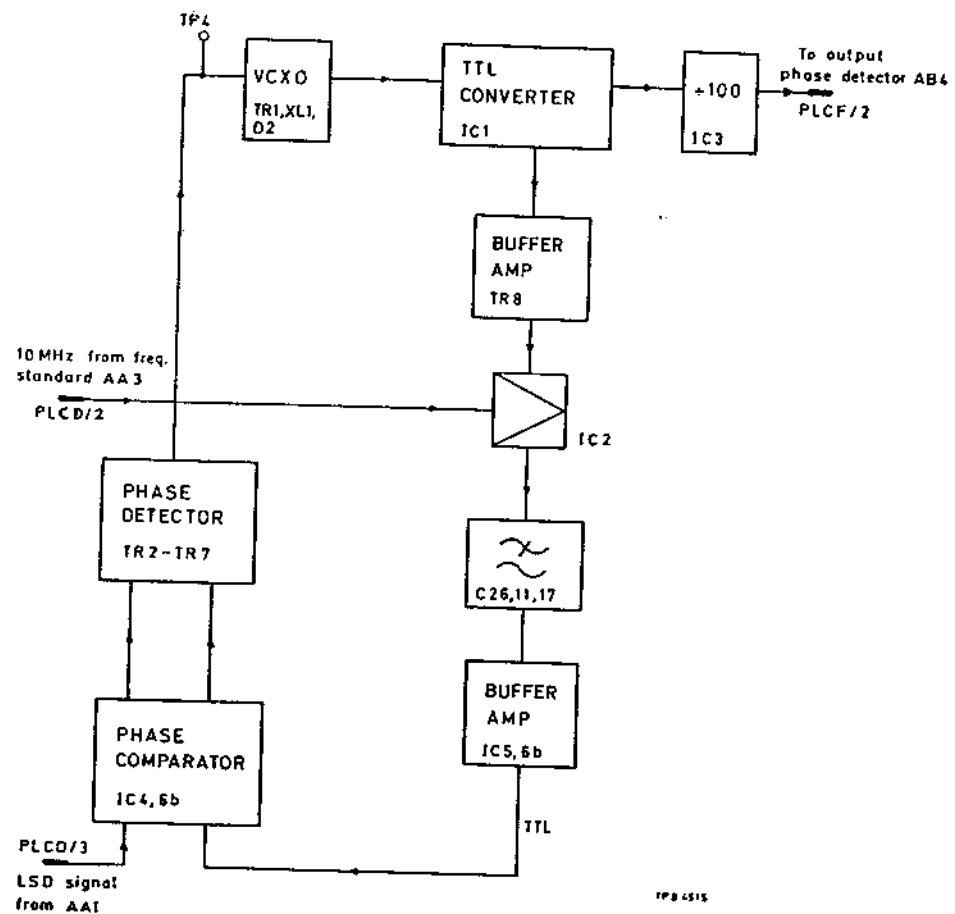


Fig. 9 VCXO Loop (AB5)

83. The output from IC1, pin 10 is used to drive the phase locked loop to lock the v.c.x.o. to the selected frequency. The output is level shifted and buffered by TR8 and the signal on the collector of TR8 is used to drive a double balanced mixer, IC2. Pin 10 of IC2 is a.c. coupled to ground by C9 so the v.c.x.o. frequency appears across pins 8 and 10, this serves as the local oscillator for the mixer. The linear input for IC2 mixer is developed across pins 1 and 4 and is a 10 MHz sinusoidal signal derived from AA3 frequency standard via PLCD, pin 2.

84. IC2 mixes the 10 MHz signal with the v.c.x.o. frequency to produce an audio difference frequency on IC2, pin 6. IC2, pin 12 is also connected to pin 6 via C26, this is an anti-phase component and provides cancellation of the sum product and possible local oscillator breakthrough (at high frequencies) further filtering is provided by C11.

85. The resulting signal is then a.c. coupled by C17 in order to produce a signal referenced to ground at IC5, pin 3. R20, R21, C20, C25 provide further filtering of the audio signal. The comparator IC5 converts the audio signal into a nominal t.t.l. compatible square wave at IC5, pin 7. This signal is fed to phase comparator IC4 via IC6a.

86. The phase comparator is formed by IC4 and IC6b comparing the phase of the signals on pins 3 and 11. The signal on pin 3 is the output frequency from AA1, LSD loop. If the frequency at pin 11 is higher than that at pin 3 a series of pulses will appear at pin 8. If the frequency at pin 11 is lower than at pin 3 a series of pulses will appear at pin 5.

87. The outputs from IC4 drive a phase detector and loop filter to control the v.c.x.o. TR6 and TR7 are level shifting transistors that drive two differential pairs TR3, TR2 and TR4, TR5. The differential pairs inject current pulses into the loop filter formed by C1, R35, C2. If the v.c.x.o. frequency is low TR5 is turned on by the pulses from IC4, pin 5 and the voltage on TP4 will be increased to regain phase lock. Similarly if the v.c.x.o. frequency is high TR2 will be turned on by the pulses on pin 8 and the voltage on TP4 will be decreased to attain phase lock. At phase lock both TR2 and TR5 are normally off except for a short interval of about 30 ns when both transistors are switched on by narrow pulses from IC4.

88. IC7 is a voltage follower that buffers the voltage on TP4. The resulting d.c. signal is used to control the varactor diode D2 and hence the frequency of the v.c.x.o.

AC2 - Beat frequency oscillator (BFO) system

Circuit diagram : Chap. 7, Fig. 15

89. Carrier frequencies below 2.03126 MHz are generated in a b.f.o. on this board by mixing a signal of 10 - 12.03125 MHz with the 10 MHz standard. The resulting signal is filtered leaving only the difference frequency, which is then fed to the output amplifier AC4.

90. The 10 - 12.03125 MHz signal input at PLCV, pin 1 is buffered by TR2 and applied to the linear port, pin 1 of mixer X1. The 10 MHz signal, from the frequency standard, at PLCU, pin 2 is amplified by TR1 and applied to the local oscillator port, pin 8 of the mixer. The process of mixing produces sum and difference signals at the i.f. port, pins 3, 4. A low-pass filter (2.1 MHz) L1, L2, C5 - C8 suppresses the sum component so that TR3 is fed with a signal of 80 kHz - 2.03125 MHz. T1 transformer prevents breakthrough of mixer input frequencies (particularly 10 MHz) on the b.f.o. output, and allows the earth plane to be split; this helps to contain the r.f. earth currents. After T1 the signal passes through a second 2.1 MHz low-pass filter, L3, L4, C17 - C20, to join a common l.f. channel output to AC4 via D1, C21 and PLCW, pin 1.

91. For b.f.o. operation the d.c. voltage on PLCW, pin 3 is high (controlled from AC3/AC13) so that D2 is off and D1 is on. D2, together with other diodes on AC3/AC13, prevent 10 - 12.03125 MHz signal breakthrough on the output from AC2. If b.f.o. operation is not required (carrier frequency >2.03125 MHz) PLCW, pin 3 is low, consequently D2 is on and D1 is off. This allows the l.f. channel input at PLCW, pin 3 to be routed direct to AC4 via PLCW, pin 1. At the same time the 10 MHz and 10 - 12.03125 MHz signals are turned off.

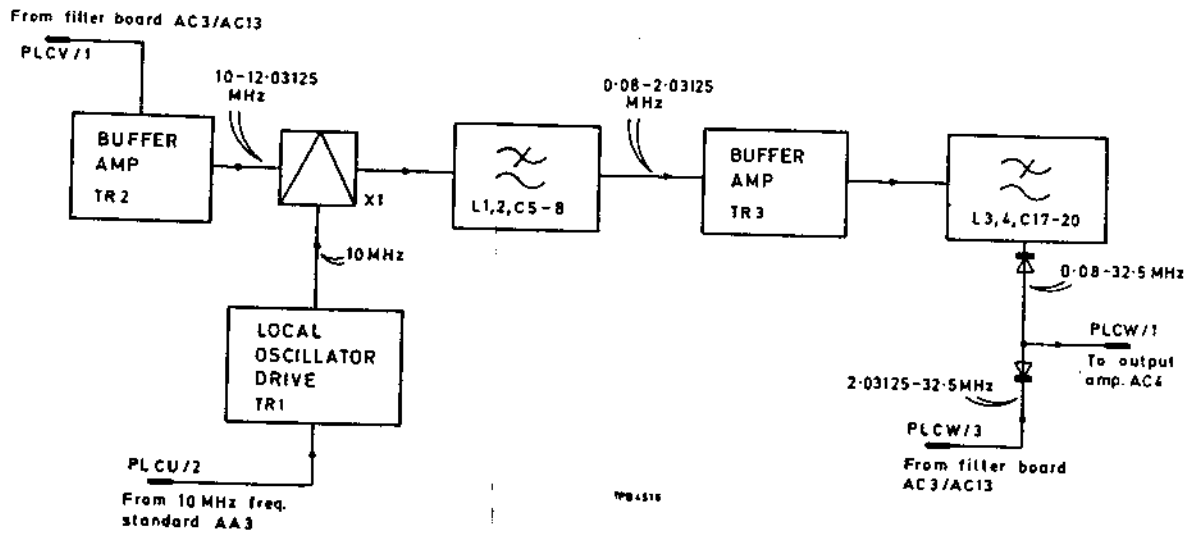


Fig. 10 BFO system (AC2)

AC3/AC13 - Filter and frequency doubler board

Circuit diagrams : Chap. 7, Figs. 16 and 19

92. The same printed circuit board is used for AC3 and AC13. AC13 is used in 2019 and has both filter and frequency doubler circuits; AC3 is used in 2018 having only the filter circuits (the components for the frequency doubler not fitted). A dashed line in the board legend marks the boundary between the two circuit areas.
93. The filter circuits provide harmonic filtering of the r.f. signal from AC5 by means of switched low-pass filters. The frequency doubler circuit doubles the input frequencies 260 - 520 MHz supplied to it to provide frequency cover for the 2019 up to 1040 MHz. The output signals from AC3/AC13 are fed to the output amplifier, AC4. (Frequencies below 32.5 MHz are fed via AC2).
94. AC3/AC13 also performs the bus address decoding for r.f. box 2 ('C' Deck), and the decoded address lines (A7L0 - A7L6 from IC1) are routed to their respective latches on AC5, AC4, AC3/AC13. The power supplies for AC5, AC4 and AC2 are distributed from AC3/AC13. The control data for AC3/AC13 is brought to IC2, IC3 and IC6 via the instrument bus.
95. Filters. The r.f. signal at PLDF is switched into the h.f. channel (32.5 - 520 MHz) by D1 if the HF/LF line, IC3, pin 2 is low, or into the l.f. channel (2.03126 - 32.5 MHz) by D2 if the line is high. The h.f. channel input is amplified by TR1 and TR2 (+10 dB gain) and then filtered by the 520 MHz low-pass filter L6, L7, C20-C22. If the FREQUENCY DOUBLER IN/OUT line, IC3, pin 12, is high, D6 is turned on and the r.f. signal passes to the main h.f. filter bank.
96. If the carrier frequency is between 32.5 and 260 MHz one of the half-octave low-pass filters in the main h.f. filter bank (L13 - L24) will be selected according to the data latched on IC2, pins 12, 15, 16, 19 and IC3, pin 5. If the frequency is between 260 and 520 MHz the bypass, D16, D17 is selected. The main h.f. filter bank output passes through C50.
97. For frequencies between 32.5-130 and 260-368 MHz the 368 MHz low-pass filter is switched in by turning on D15, D27 by the 368 and 23 MHz l.p.f.'s IN/OUT 'high' instruction on IC3, pin 6. For all other frequencies this line is 'low' and signals pass through D24, D28. If the frequency doubler is not included D30 is turned on by the FREQUENCY DOUBLER IN/OUT 'high' instruction, this is inverted by IC5e and the output is then taken from SKCS.
98. The h.f. channel operates in a 50 Ω system, but the l.f. channel operates in a 200 Ω system. The necessary impedance transfer in the l.f. channel is accomplished by the buffer TR3. LF channel signals from TR3 are first filtered by the 32.5 MHz low-pass filter L63, L64, C96 - C98 and then pass to the main l.f. filter bank. This operates in a similar manner to the h.f. filter bank but uses the data on IC2 pins 2, 5, 6, 9 and IC3, pin 5. The 23 MHz low-pass filter is switched by IC3, pin 6, and the common output routed through C95.
99. For carrier frequencies of 2.03126 MHz - 32.5 MHz the b.f.o. line, IC3 pin 9, is high, turning D52 on and D51 and D53 off, connecting the output from C95 through to PLCT, pin 2.

100. For carrier frequencies below 2.03126 MHz the b.f.o. line is low turning D51 and D53 on and D52 off. The b.f.o. board, AC2, is supplied with a 10 - 12.03125 MHz signal via PLCR, pin 1 which is mixed on AC2 with the 10 MHz standard to give the required carrier frequency. D53 helps to prevent break-through of l.f. channel frequencies on the b.f.o. output.

101. Frequency doubler (520.00002 MHz - 1040 MHz). The input to phase splitter and frequency doubler is taken from after the 520 MHz low-pass filter. A transistor phase splitter, TR4, feeds the matched pair of diodes D55 and D56 in full wave rectification configuration. A bias supply is derived from a third diode (D57), matched with the other two. This ensures thermal compensation and a sensibly linear output over a wide range of level. Thus a.m. will be virtually unaffected by the doubler. The output from the frequency doubler is then amplified by TR5.

102. The output from the frequency doubler contains both sub-harmonics and harmonics which must be improved by filtering. The filter must reject the sub-harmonic and harmonics while allowing the required frequency to pass with low insertion loss. This is effected by a series of band reject filters. Switching between capacitive elements is carried out with diodes and at two break frequencies, 660 MHz and 820 MHz, in order to give the frequency responses required. Capacitors C119, C120, C123, C124, C135, C136 form switched notch filters that attenuate the sub-harmonic components in the output. The output from the frequency doubler is then amplified by TR6 before being routed to the output connector, SKCS, via the diode switch D31.

AC4 - Output amplifier

Circuit diagram : Chap. 7, Fig. 17

103. This board contains the r.f. output amplifiers, the automatic level control (a.l.c.) circuits, the electronic fine attenuator, and the insertion loss control (i.l.c.). It receives h.f. channel signals from AC3/AC13, l.f. channel and b.f.o. signals from AC2, and delivers a levelled and calibrated output signal with a 50 Ω source impedance to the coarse attenuator ATO. Control data for the amplifier switching, fine attenuator and i.l.c. is brought to AC4 via the instrument bus.

104. HF channel and a.l.c. This is selected by a 'high' instruction on IC2, pin 5, and a 'low' on IC2, pin 9. TR5 is then turned on and supplies current to the h.f. channel amplifiers, whilst TR16 is off. The h.f. input (frequencies greater than 32.5 MHz) at PLCS is amplified by four r.f. transistor stages. The first two, TR2, TR4, give +6 dB each but the gain can be trimmed at the 1 GHz end by moving R9, R19 along L2, L4 respectively. The last two stages (common with the l.f. channel) have a combined gain of +10 dB. At high frequencies the gain of TR10 tends to fall; to compensate for this the gain of TR8 is held down at low frequencies but allowed to rise with frequency.

105. High frequency gain can be trimmed by moving R34, R35 along L7. Diodes D8 - D10 protect TR10 from voltage transients. All four stages use active bias networks, TR1, 3, 7 and 9.

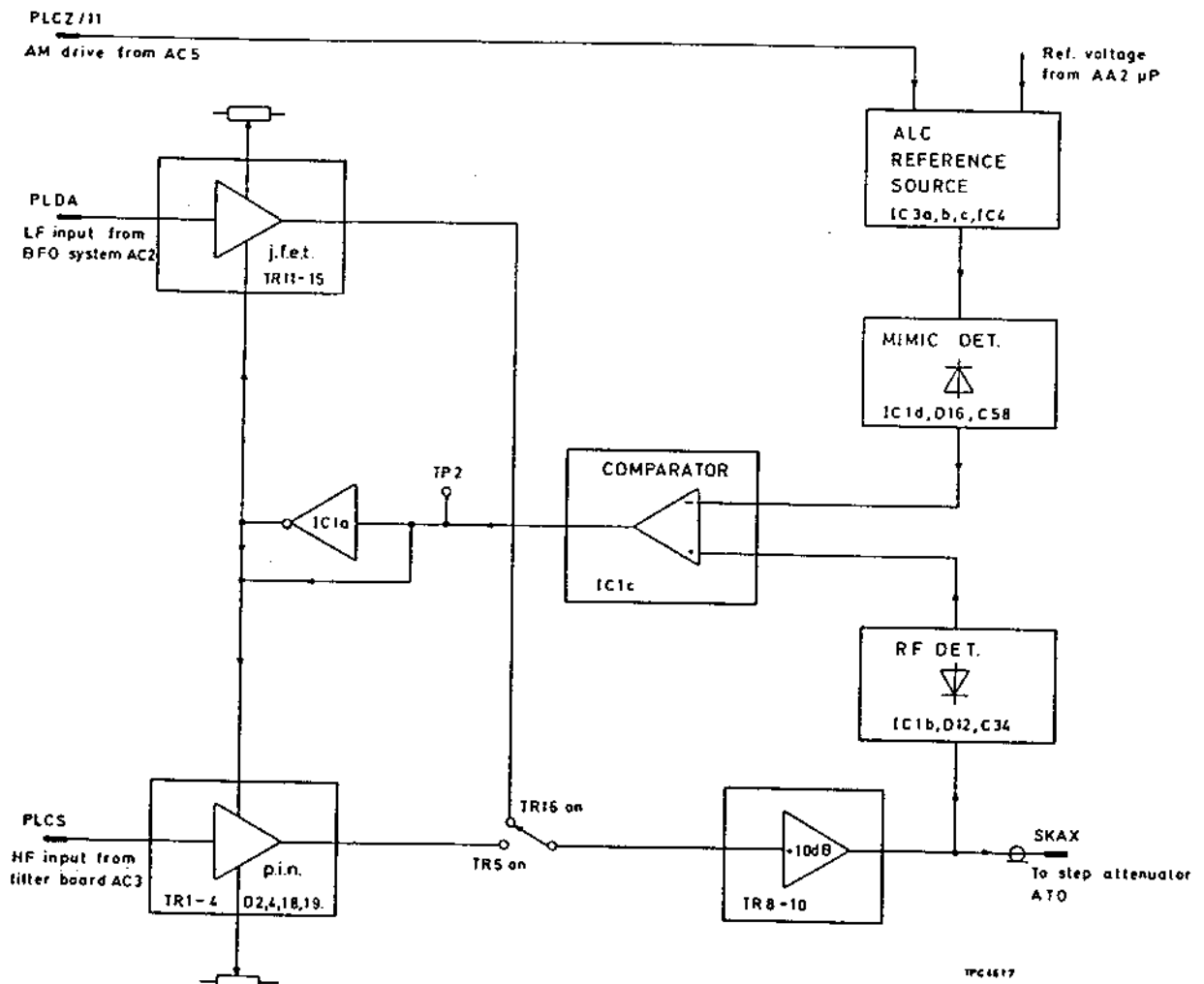


Fig. 12 Output amplifier (AC4)

106. RF level control for the h.f. channel is accomplished using pin diode attenuators in the r.f. amplifier chain. The two fixed-gain stages, TR2 and TR4 are placed between three pin diode attenuator elements, D18-19, D2 and D4. The attenuation produced by these diodes is determined by the control voltage applied to them; the smaller the magnitude of the control voltage, the higher the attenuation. This control voltage is derived by comparing, at the voltage comparator IC1c, a d.c. reference voltage from IC1d with the r.f. detector voltage from IC1b. The voltage from IC1c (TP2) controls D2, and the inverted voltage from IC1a (TP1) controls D18, D19 and D4. If the r.f. detector voltage differs from the reference voltage, the pin diodes will be driven so as to annul this difference. TR16 is off, and providing D4 is forward biased D5 will also be turned off disconnecting the l.f. channel drive.

107. The r.f. detector measures the peak voltage at the output of the fixed gain transistor pair, TR8, TR10, immediately before the 50 Ω resistor, R47. Thus the voltage can be precisely controlled behind a 50 Ω source impedance. D12, C34 form the negative-peak detector whose voltage is buffered by IC1b. D13 provides temperature compensation for the detector diode. D11, C33 act as a mimic positive-peak detector to help equalize the loading on TR10.

108. LF channel and a.l.c. The l.f. channel is selected by a 'high' instruction on IC2, pin 9, and a 'low' on IC2, pin 5. TR16 is then turned on supplying current to the l.f. amplifiers, whilst TR5 is turned off. The l.f. channel input (frequencies less than 32.5 MHz) at PLDA is amplified by three transistor stages, TR11, 13, 15, operating in a 200 Ω system, and then by the common output transistor pair, TR8, TR10, operating in a 50 Ω system. The transfer from 200 to 50 Ω is accomplished with a consequential signal loss of 12 dB, this is however compensated for by the ample gain in the amplifier chain. When the l.f. channel is on, D5 is forward biased and D4 reverse biased allowing signals to be routed from TR15 to TR8.

109. LF channel levelling is implemented by making the first two amplifiers variable-gain stages. JFET's are used in the emitter circuits of TR11 and TR13 for this purpose. The drain-source resistance of the f.e.t's and hence the gain of each stage, is controlled by the control voltage on TP1; the more negative this voltage is, the lower the gain. The control voltage is derived in the same way as for the h.f. channel, except that because TR16 is on, the voltage on TP1 is offset by -7.5 V (due to R69).

110. ALC reference voltage. The d.c. reference voltage to the comparator IC1c is the means through which accurate control of the output r.f. signal level is obtained. The actual d.c. voltage required for any given frequency and output level is influenced by a number of different circumstances. Further complications are present when amplitude modulation (a.m.) is applied which are compensated for by the circuits described below.

Electronic fine attenuator

111. ATO attenuator unit provides the coarse attenuation of the output signal from AC4 in multiple steps of 10 dB. An electronic attenuator on AC4 is used to give fine control of the output over a range of 10 dB, with a resolution of 1 mV (r.m.s., p.d.). This is achieved by supplying an accurate d.c. reference voltage to the a.l.c. comparator IC1c.

112. In the normal mode AC4 is required to give an output between 158 mV and 500 mV, rising to 1000 mV in the +6 dB mode. For a maximum figure of 1000 and a resolution of 1 a 10 bit binary number is needed i.e. 1000 decimal = 1111101000 binary. This requirement is implemented in IC6, IC3d where IC6 is the 10 bit digital-to-analogue (D/A) converter to which the binary number is sent. The D/A has its own internal data latches.

113. The least significant digits are sent first to address A7L2, followed by the 2 most significant digits to A7L3. The number in the D/A determines the gain of IC3d, and hence the output on pin 14 in relation to the input on IC6, pin 3. A change of 1 in the 10-bit number will give rise to a voltage change from IC3d which in turn causes a change in the reference voltage applied to the comparator. When calibrated this will change the output level from AC4 by 1 mV. In calibration the voltage on IC6, pin 3 is set to give a certain r.f. output; R89 is used to calibrate the fine attenuator across its working range. (The purpose of D16, IC1c etc. is explained under a.m. processing.)

Insertion loss control (i.l.c.)

114. After the point at which levelling occurs, (TR10 collector) the r.f. signal is subject to the insertion loss of coaxial cables, connectors, ATO coarse attenuator, etc. before the output socket. The insertion loss is frequency dependent, and becomes more pronounced the higher the frequency. To compensate for this AC4 output is increased by an amount equal to the insertion loss at the selected frequency. This is achieved by adding a small offset to the reference voltage applied to the a.l.c. comparator. Clearly the amount of offset needed will increase with frequency.

115. This is achieved by IC4 8 bit D/A converter, to which the microprocessor sends a number (address A7L1) representing the correction required. At low frequencies where insertion loss is low, the number sent to the D/A gives IC3b a gain close to -1, and the output on IC3c, pin 8 will have a certain value (depending on the setting of R86). As the frequency is increased the number sent to the D/A reduces the gain towards 0 and consequently the output from IC3c increases in magnitude. This increase in voltage at the input to the fine attenuator is amplified according to the r.f. output level required and fed to the a.l.c. comparator to bring about the insertion loss compensation.

116. The number sent out to IC4 is calculated by the microprocessor from data stored in its memory. A sufficiently accurate approximation to the real insertion loss is obtained using just three calibration frequencies 10, 520 and 1040 MHz. At 10 MHz a code number 050 is stored (using Second function 6) and R86 adjusted for the correct r.f. output level. The frequency is then set to 520 MHz and the stored code number increased until the level is again correct. Finally the process is repeated at 1040 MHz (2019 only). When a carrier frequency is selected the microprocessor calculates the required code number from a straight line graph drawn between neighbouring calibration points. The actual binary number sent to the D/A is 255.

AM processing

117. The r.f. detector D12, C34 measures the peak voltage of the r.f. signal. When a.m. is present the detector measures the peak of the a.m. envelope; at 100% depth this will be double the voltage at 0% depth. To ensure that the r.f. level is still correct the reference voltage applied to the comparator must be increased by an amount equal to the detector voltage increase due to the a.m. If this is not done there will be an r.f. level error introduced depending on the a.m. depth.

118. This is overcome by adding to the d.c. reference processing chain an a.m. drive signal derived from AC5 via PLCZ, pin 11 and including a mimic detector, D16, C58. The mimic detector measures the peak voltage of the a.m. drive signal superimposed on the d.c. reference which - when calibrated - will produce the correct r.f. output level.

119. In practise the r.f. detector has a finite time constant (R45/C34) and so that changes in r.f. level can take place quickly, the time constant must not be too long. Consequently at low modulation frequencies the detector output will decay between envelope peaks at a rate depending on this time constant. In order to preserve the a.m. the reference voltage applied to the comparator must match the r.f. detector voltage exactly. If this is not done the comparator will produce a control signal that will tend to remove the a.m. from the r.f. signal. To make the reference behave in the same way as the r.f. detector voltage the mimic detector is set to have the same time

constant as the r.f. detector by means of the det. trim control R95. Temperature compensation for the mimic detector is provided with D17 (similar to D13).

120. The loop bandwidth of the a.l.c. system is approximately 50 Hz (C47/R74) so at very low modulation frequencies the comparator has appreciable gain and the a.l.c. loop acts as an envelope feedback system. This means there will be a modulation frequency signal on the comparator output which will further modulate the carrier unless the two inputs to the comparator are accurately matched. This is done by applying a calibrated a.m. input of low modulation frequency and adjusting R77, set low mod. freq. until the output from AC4 is correct.

121. For the a.m. to be correct at low modulation frequencies the audio drive level on the reference to the comparator must be exactly equal to the audio level from the r.f. detector. Setting this condition also eliminates the r.f. level error occurring at higher modulation frequencies caused by the uncalibrated peak level of the a.m. drive signal on the reference signal.

AC5 - Amplitude modulator

Circuit diagram : Chap. 7, Fig. 18

122. AC5 board provides amplitude modulation of the output signal from AB2, divide-by-two chain (frequency range 2.03125-520 MHz). The modulated signal is then routed to the Filter board, AC3/AC13. AM depth from 0 to 99% is programmable in 1% steps, using seven bits of control data which are brought to the internal latch in the D/A converter, IC4, via the instrument bus. An eighth bit of data is used to activate the "+6 dB mode", in which the r.f. output level from AC5 is doubled. Under this condition no a.m. is allowed, and the microprocessor instructs 0% a.m. depth.

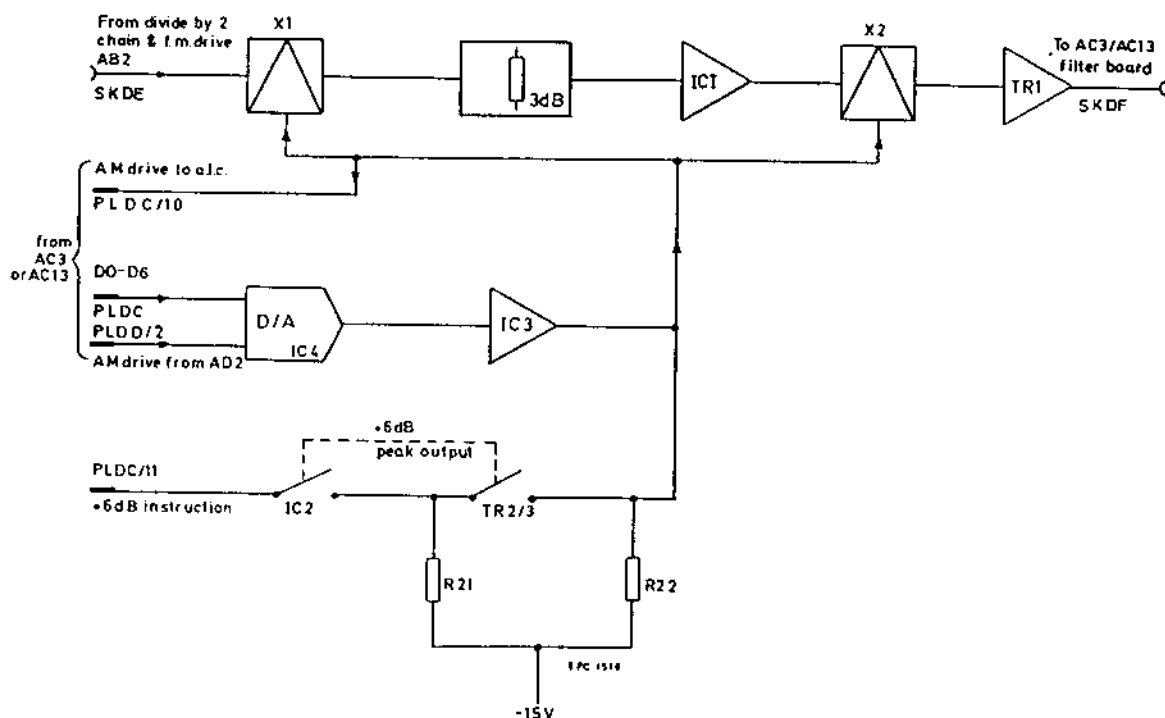


Fig. 13 Amplitude modulator (AC5)

123. The modulator consists of two double-balanced mixers, X1 and X2, in cascade, with a 3 dB pad (R2-R4) and a recovery amplifier, IC1, between them. X2 is responsible for the main part of the modulation, with X1 providing a lower level of pre-modulation at large envelope depths. The pre-modulator can be adjusted by varying the a.m. drive signal to X1 using preset R23. The output from X2 is amplified by TR1 and fed to SKDF.

124. The audio input is fed to the linear port of the D/A converter, IC4, from PLDD, and is amplified by IC3 whose gain depends on the control data latched into the D/A. The resulting a.m. signal is fed to X1 and X2, and also to the a.l.c. system on AC4 output amplifier via PLDC, pin 10. If the +6 dB mode line is high, TR3 is turned on thus doubling the bias current in X2. This causes an increase in the r.f. output at SKDF of 6 dB.

AD11 - Display board

Circuit diagram : Chap. 7, Figs. 20 and 21

125. The display board incorporates the three liquid crystal displays (l.c.d.) that are used to show the current settings of the instrument. The displays are driven using c.m.o.s. logic IC's to apply square waves to the segments of the display. Each l.c.d. has a backplane (b.p.) which is connected to the backplane drive (b.p.d.). The b.p.d. is a 50 Hz square wave.

126. The segments are driven by a similar square wave that is either in phase or out of phase with the b.p.d. If the segment drive is in phase with the b.p.d. there is no voltage applied between the segment and the backplane and the segment remains clear. If the segment drive is out of phase with the b.p.d. then a square wave voltage is applied between the segment and the b.p.d. and the segment darkens. It should be noted that d.c. voltages should not be applied to the l.c.d.'s since this can result in permanent damage to the display. A nominal -5 V supply for the board is generated using the Zener diode D1.

127. The backplane drive is generated by the astable multivibrator IC19. The output from IC19, pin 10 is a 50 Hz square wave switching between 0 V and +5 V. Before being applied to the displays the level of the square wave is translated to be between +5 V and -5 V at the outputs on IC18, pin 3 and IC26, pin 3.

128. Information to control the displays enters the board via PLAL. The D0 to D7 lines and the A0 to A3 logic levels are made c.m.o.s. compatible by IC1 and IC2 open collector buffers and the pull up resistors in R1. IC13, 15 and 16 decode the address lines to provide control lines to instruct the latches on the board. When the A5 line is held low the output from IC15, IC16 corresponding to the address set on A0 - A3 lines goes high (+5 V). These output lines, labelled A5L0 to A5L12, control which latch latches the data on the D0 to D7 lines.

129. With the exception of the decimal point driving system the data lines and the latch control lines are connected to the respective 4056 and 4054 l.c.d. drivers. The 4056 drivers are used to drive the seven segment displays. Each IC latches four input data lines, either D0 to D3 or D4 to D7, and decodes the data to drive the seven segment display. The 4056 also level shifts the decoded information and converts it into a square wave between +5 V and -5 V suitable for driving the display. If a binary 15 instruction is latched in the display will remain blank.

130. The 4054 display drivers also latch the data line inputs when instructed but these drivers simply convert the input information into a square wave between +5 V and -5 V without decoding the data. This type of drive circuit is used to drive the annunciators on the display where one input line is required to control one annunciator.

131. In order to reduce the number of addresses and drivers required the decimal points are driven by a different system. Use is made of the fact that only one decimal point on each display is required to be set at one time. The frequency display decimal point is derived by IC14, 17 and 18. IC17 is a 1 out of 8 decoder which decodes the data lines D0 to D2 and its outputs are latched by IC14, 18. Since only one of the output lines of IC17 can be high one of the decimal points can be set. If the number decoded by IC17 is a binary 7 (i.e. D0 = 1, D1 = 1, D2 = 1) then no decimal point is set since pin 4 of IC17 is not connected. The decimal points for the modulation and r.f. level displays work in a similar manner on D3, D4 and D5, D6 lines respectively.

AD2 - Motherboard

Circuit diagram : Chap. 7. Fig. 22

132. The primary purpose of AD2 motherboard is to serve as a means of interconnecting the various areas of the instrument that require access to the microprocessor via the internal instrument bus. The interconnections are generally made by means of plugs on the motherboard that connect to ribbon cable and socket assemblies. The plugs on the board consist of arrays of machine inserted square wire wrap posts arranged in a dual in-line configuration. The p.c.b. AD3 is connected to the motherboard by an edge connector socket SKAH mounted on the motherboard.

133. The motherboard also latches the control data for the attenuator. IC1 is an octal latch on address A6L10 that latches the data used to control the attenuator pads and the r.p.p. reset. The outputs from IC1 are connected to the open collector driver, IC2, to directly drive the solenoids that operate the attenuator pads.

134. In order to simplify the interconnections in the lower r.f. box its data valid line, A7, is gated with the A3 line by IC3, thus saving a further line through the filter box. The resulting A3 + A7 output line goes 'low' only when both are held low, i.e., when information is being sent to addresses between A7L0 and A7L7.

AD3 - Modulation oscillator and f.m. control

Circuit diagram : Chap. 7, Fig. 23

135. Control information for the modulation oscillator and other analogue switches on this board are latched by IC5. The latch addresses are decoded by IC14. The Zener diode D4 generates a -7.5 V supply from the -15 V supply for use by the analogue gates on the board. This enables the analogue gates to be connected to a supply voltage of +5 V and -7.5 V.

136. The modulation oscillator is a thermistor stabilized Wien bridge oscillator. IC1a is the maintaining amplifier and R2 the thermistor. The frequency of oscillation is determined by the analogue gates IC2, IC3 and IC4 which select from a bank of resistors R3 to R11, C2 and C3 are the two frequency determining capacitors.

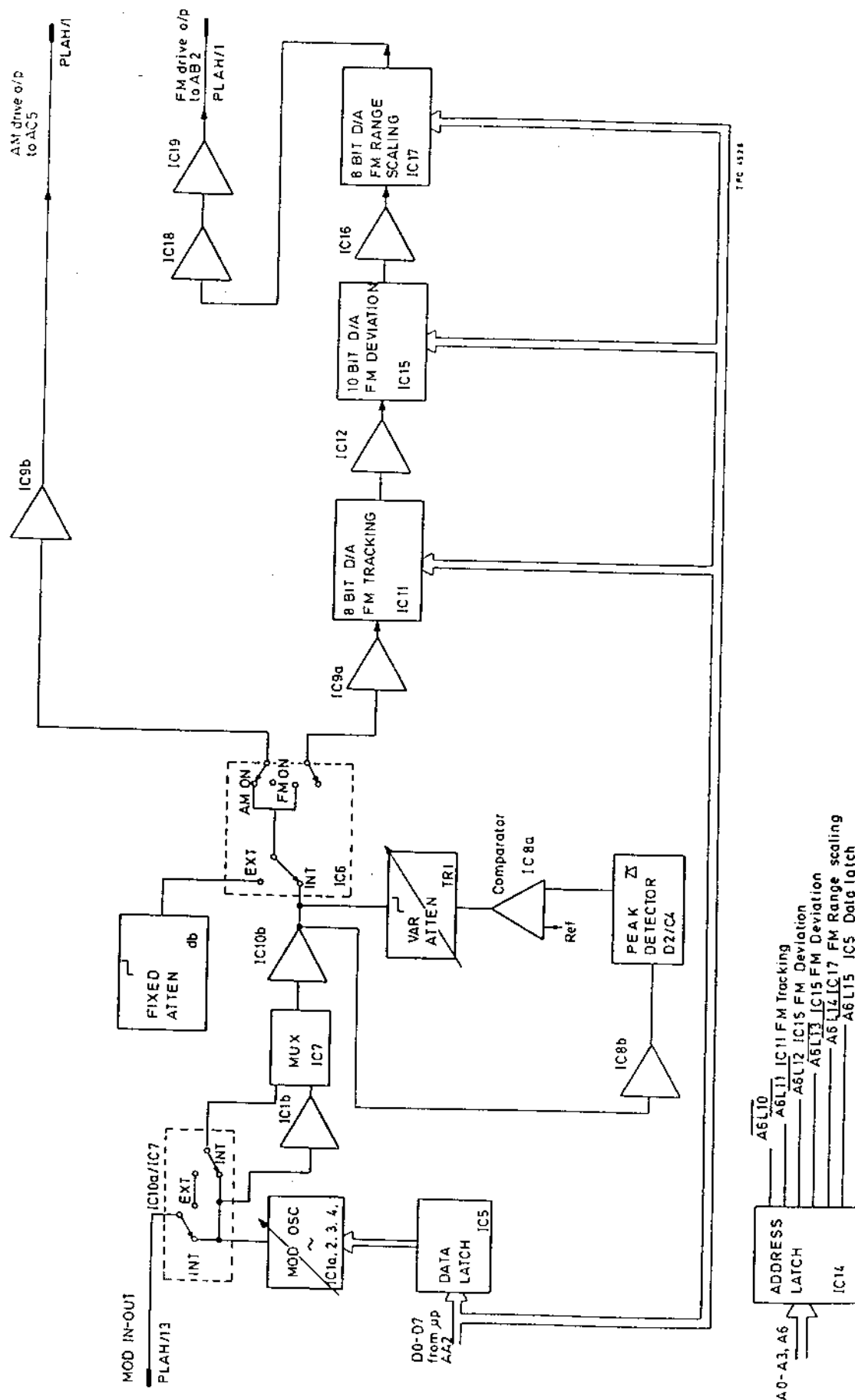


Fig. 14 Modulation oscillator and f.m. control (AD3)

137. If internal modulation is selected the output from IC1, pin 1 is routed via IC1b and IC7 to the modulation oscillator output line on PLAH, pin 13. A similar signal is also routed to IC10b. If external modulation is selected the modulation oscillator remains on but the modulation input signal on PLAH, pin 13 is routed to IC10b via IC7 and IC10a.

138. The output is then fed to two resistor chains. If external modulation has been selected and the modulation a.l.c. has been set to off, the output from the wiper of R16 is connected to IC6, pin 15. If the modulation a.l.c. has been set to the on condition (this is always so if internal modulation is selected) the signal on IC6, pin 1 is connected to IC6, pin 15. The signal level on pin 1 is controlled by the j.f.e.t. TR1 which is used as a voltage variable resistor. TR1 is part of an a.l.c. loop which ensures that the signal level on IC6, pin 1 is substantially independent of input level.

139. The level on IC6, pin 1 is amplified by IC8b and its level is peak detected by D2 and C4. The resulting d.c. level is compared to a reference level by IC8a and this output is used to control the variable resistor formed by TR1. The reference level on the junction of R23 and R24 is temperature compensated by D1 to offset the temperature coefficient of the detector diode, D2.

140. If amplitude modulation is on, the signal on IC6, pin 15 is routed to IC6, pin 14 and then amplified by IC9b. The resulting audio signal is connected to PLAH, pin 11 for routing to AC5 Amplitude modulator. The variable resistor R30 is used to vary the audio drive level and is used to set the a.m. depth accuracy at 1 kHz modulation frequency.

141. If frequency modulation is on the signal is routed to IC6, pin 4 and then amplified by IC9a. The signal at IC9a output is set to a nominal 12 V p-p by R33. The signal is controlled by a series of 3 c.m.o.s. D/A converters. IC11 D/A modifies the drive signal level in accordance with the f.m. tracking data from the microprocessor. IC15 D/A controls the signal level in accordance with the f.m. deviation set and IC17 divides the signal level by factors of 2 in order to provide range scaling.

142. The data required by IC15 is a 10 bit binary number and is loaded into the D/A in two bytes. The first byte is the 8 bits corresponding to the least significant bits while the second byte is the 2 most significant bits. The setting of the D/A only changes when the most significant bits are loaded in. The output from IC18 is then amplified by IC19 and the output taken to AB2 via the motherboard AD2 and PLAH, pin 1.

AD4 - Keyboard

Circuit diagram : Chap. 7, Fig. 24

143. Keyboard AD4 carries all the front panel key switches, the l.e.d. indicators for the modulation oscillator frequency and the control logic required to interface the switches and the l.e.d's to the internal data bus.

144. The key switches are arranged as an array organized in rows and columns. The latch IC4 is initially set to give logic 'low' at all its outputs. The pull up resistors in R5 set the logic levels at the inputs to IC5 to a logic 'high'. When the microprocessor is monitoring the keyboard IC5 buffer is enabled to drive the internal data bus and so the microprocessor is able to monitor the state of the keyboard. For convenience the inputs to IC5 are referred to as columns and the outputs from IC4 are referred to as rows.

145. When a key is pressed it shorts that column to one of the rows. In order to find which key in a column has been pressed the microprocessor sets all but the top row (connected to IC4, pin 2) to the high state. If the key pressed was in the top row then the column will remain in the 'low' state. If not, the column returns to the 'high' state and the microprocessor sets a 'low' to the next row down (IC4, pin 5) with all other rows set 'high'. This is repeated until the correct row is located. Having determined which row and which column the key was in this uniquely identifies the key pressed.

146. The transistors TR1 and TR2 form an electronic extension to the keyboard allowing the microprocessor to identify when the r.p.p. has operated. If the r.p.p. has been tripped TR2 is turned on by the r.p.p. active line and pulls the left-hand column to ground in the same way as the keys do. When the microprocessor scans the keyboard TR1 holds TR2 off when IC4, pin 12 is high and so the keyboard responds in the same way as if a key corresponding to that row and column had been pressed.

147. The l.e.d's in the key switches and the circle of l.e.d's indicating the modulation oscillator frequency are controlled by the latches IC2 and IC3. The resistors R1 and R2 control the current flowing in the l.e.d's.

AE1 - Power supply board

Circuit diagram : Chap. 7, Fig. 2

148. The mains supply range is set by two selector switches, SAR and SAS, whose position is locked by a cover plate. The mains transformer is located in a steel box underneath board AE1.

149. The power supply is required to generate regulated +24 V, +15 V, +5 V and -15V d.c. voltage lines. The +5 V supply is derived from secondary 1 of the mains transformer. This is rectified by bridge D1 of AMO and is located on the power supply chassis under the board AE1. The rectifier bridges for the other supplies (D1, D2, D3 or AE1) are located on the board AE1 together with the reservoir capacitors C1, C6, C7 and C10.

150. The d.c. from the reservoir capacitors is regulated by three terminal adjustable regulators. The regulators for the +5 V and +15 V supplies are IC1 and IC2 of AMO and are located on the heatsink on the rear of the instrument. The potentiometers R2, R5, R8 and R11 enable the output voltages of each supply to be adjusted. Each of the regulator's IC's is protected against accidental shorts causing high discharge currents by 1N4004 rectifier diodes. The bypass capacitors C3, C5, C8 and C11 improve the ripple rejection of the regulators. Each regulator also has an internal thermal protection circuit.

151. The board AE1 has been carefully arranged such that the earth point of the resistor chain at the output of the regulator has been terminated on the chassis by a separate route to that of the reservoir capacitors. This ensures that the outputs from the regulators are free of mains supply ripple.

AT0 - 10 dB step attenuator

Circuit diagram : Chap. 7, Fig. 25

152. The p.c.b. AT1 is located in a casting and the board is made of a low loss p.t.f.e. based material. Screens are added to provide signal isolation at high frequencies. The lid of the attenuator uses a compressible foam backed gasket to provide an r.f. seal between attenuator sections.

153. The board AT1 provides precision 10 dB steps in the output level and incorporates a reed relay to provide reverse power protection. Each attenuator pad consists of 3 precision chip resistors that provide attenuation of 10 dB, 20 dB or 30 dB. Each pad is switched in or out of circuit by microswitches actuated by a solenoid. When a pad is switched out the r.f. signal is connected to a direct bypass route. The insertion loss of the direct route and the pad (excluding the intended attenuation) is set up to be identical by the adjustment of small flags. These are adjusted by means of nylon screws in the screens. Each pad is separately set up and requires the use of specialist measuring facilities and it is recommended that this is carried out by the nearest Marconi Instruments agent or Marconi Instruments Service Division.

RPP - Reverse power protection

154. Resistors R16 to R20 form a high impedance r.f. signal divider at the output of the attenuator which is used to sense the r.f. present at the output of the attenuator. Diodes D1 and D2 detect the signal level and the resulting d.c. is connected for use in the r.p.p. system. If the signal level exceeds a preset limit the reed relay RLF is set to the open circuit condition in order to protect the attenuator from excessive power dissipation. The decoupling capacitors C1, C2 result in the detector being more sensitive to very low frequencies than to r.f. This ensures that it is not possible to damage the attenuator with externally applied d.c.

155. The reed relay RLF is mounted in a coaxial tube to ensure that the v.s.w.r. of the reed assembly is very low. It should be noted that the reed should be handled very carefully since it is fragile and is particularly prone to damage around the glass seals at each end. The reed is operated by the magnetic field from the inductor L1. L1 is wound on a bobbin and the reed relay, surrounded by its coaxial tube, is slid up the centre of the bobbin.

AT2 - Attenuator control

Circuit diagram : Chap. 7, Fig. 26

156. Board AT2 controls the attenuator pads and the r.p.p. detector system. The board is located directly above the attenuator casting. The control lines that energize the attenuator pad solenoids come onto the board via PLAE from the motherboard AD2. When one of these lines is grounded by the open collector driver on AD2, current flows through the corresponding solenoid and the solenoid armature moves across and operates the attenuator microswitch.

157. When a solenoid is energized (control line grounded) the attenuator pad is switched out of circuit. The Zener diodes D4 to D8 act as clamps to protect the open collector drivers on the motherboard. When a solenoid is de-energized the stored magnetic field causes a large voltage spike on the control lines whose amplitude is clamped by the Zener diodes.

158. The power for the solenoids is supplied by PLP, pin 1. Normally this supply is at approximately +9 V. This, by itself, is not adequate to pull in the solenoids, therefore when the microprocessor updates the attenuator setting, supply to the solenoids is temporarily increased to approximately 20 V for 50 ms. This is accomplished by the monostable IC4 and transistors TR2 and TR3. When the attenuator setting is updated by A6L10 instruction at PLV, pin 6, IC4 triggers producing a 50 ms pulse on pin 8 to turn on TR2/TR3. This effectively connects the +20 V supply to PLP, pin 1. Diode D11 prevents the two supplies from shorting together. When TR3 turns off, D11 turns back on to restore a

+9 V supply. The use of this pulsed supply reduces the power consumption of the attenuator solenoids.

159. The r.p.p. is also controlled on AT2. The output from the peak detectors used to detect the application of reverse power to the attenuator board AT1 is fed in to AT2 at PLN, pins 1, 3 and 4. IC1 detects the difference voltage between these detector outputs. The output on IC1, pin 6 is then compared with a reference on IC2.

160. If the detected signal level is excessive IC2, pin 7 is asserted 'high' resetting the R-S flip-flop formed by IC3. This results in IC3, pin 13 going 'high' turning off TR1. The voltage on PLN, pin 1 then falls to zero and the reed relay on AT1 attenuator is open circuited. The reaction time between the application of reverse power and the reed relay going open circuit is typically 80 μ s. The Zener diode, D3, protects TR1 against the voltage transient when power is removed from the reed relay's operating inductor (i.e.d. D10 is on when the reed relay is closed to indicate that operation is normal).

161. When the reed relay goes open circuit the RPP ACTIVE line on PLV, pin 9 is asserted 'high'. This line is connected to the keyboard AD4 where the microprocessor detects its operation and responds accordingly. The r.p.p. is reset when the microprocessor sets the RPP RESET line on PLV, pin 12 to the 'low' state and then subsequently sets to 'high' again.

AGO - GPIB adaptor module

Circuit diagram : Chap. 7, Fig. 27

162. This module is an optional item and only fitted to 2018/2019 when remote facilities are required. The module when connected to the rear panel, allows direct connection from a GPIB talker/listener device and implements the full IEEE 488 specifications (no control function).

163. IC2 (8291) GPIB talker/listener integrated circuit is connected to AA2 microprocessor via SKAK and AD2 motherboard providing both talker and listener capabilities, details of these are given in Chapter 3 of the Operating Manual. IC3a and IC8 determine the read and write address decoding cycle. IC1 operates as an independent clock whose frequency (between 1 and 2 MHz) is used to time out an approximate 2 μ s delay allowing the bus to settle after sending data.

164. IC4 - IC7 transceivers are used to translate the negative true logic and act as drivers. IC3b provides the logic 'low' level for the receive instruction TR/1 to IC5, pins 7, 9; or the talker 'high' level for IC5, IC6 and IC7 and also provides the additional buffering necessary for the three IC's in line.

SECOND FUNCTION OPERATIONS

165. Second function operations provide the means of controlling various secondary features and calibrations within the instrument. There are three levels of operation, two of which require unlocking in order to gain access. Each level of operation and method of access is described below.

+9 V supply. The use of this pulsed supply reduces the power consumption of the attenuator solenoids.

159. The r.p.p. is also controlled on AT2. The output from the peak detectors used to detect the application of reverse power to the attenuator board AT1 is fed in to AT2 at PLN, pins 1, 3 and 4. IC1 detects the difference voltage between these detector outputs. The output on IC1, pin 6 is then compared with a reference on IC2.

160. If the detected signal level is excessive IC2, pin 7 is asserted 'high' resetting the R-S flip-flop formed by IC3. This results in IC3, pin 13 going 'high' turning off TR1. The voltage on PLN, pin 1 then falls to zero and the reed relay on AT1 attenuator is open circuited. The reaction time between the application of reverse power and the reed relay going open circuit is typically 80 μ s. The Zener diode, D3, protects TR1 against the voltage transient when power is removed from the reed relay's operating inductor (i.e.d. D10 is on when the reed relay is closed to indicate that operation is normal).

161. When the reed relay goes open circuit the RPP ACTIVE line on PLV, pin 9 is asserted 'high'. This line is connected to the keyboard AD4 where the microprocessor detects its operation and responds accordingly. The r.p.p. is reset when the microprocessor sets the RPP RESET line on PLV, pin 12 to the 'low' state and then subsequently sets to 'high' again.

AGO - GPIB adaptor module

Circuit diagram : Chap. 7, Fig. 27

162. This module is an optional item and only fitted to 2018/2019 when remote facilities are required. The module when connected to the rear panel, allows direct connection from a GPIB talker/listener device and implements the full IEEE 488 specifications (no control function).

163. IC2 (8291) GPIB talker/listener integrated circuit is connected to AA2 microprocessor via SKAK and AD2 motherboard providing both talker and listener capabilities, details of these are given in Chapter 3 of the Operating Manual. IC3a and IC8 determine the read and write address decoding cycle. IC1 operates as an independent clock whose frequency (between 1 and 2 MHz) is used to time out an approximate 2 μ s delay allowing the bus to settle after sending data.

164. IC4 - IC7 transceivers are used to translate the negative true logic and act as drivers. IC3b provides the logic 'low' level for the receive instruction TR/1 to IC5, pins 7, 9; or the talker 'high' level for IC5, IC6 and IC7 and also provides the additional buffering necessary for the three IC's in line.

SECOND FUNCTION OPERATIONS

165. Second function operations provide the means of controlling various secondary features and calibrations within the instrument. There are three levels of operation, two of which require unlocking in order to gain access. Each level of operation and method of access is described below.

166. Normal operation

- Second functions '0' Unlock
'1' Status information
'2' GPIB address setting
'3' Manual latch setting

These functions are unprotected and may be accessed directly:- Press SECOND FUNCT followed by 0, 1, 2 or 3 key as required.

167. First level operation

- Second functions '4' SRQ mask setting
'5' RF level units setting
'6' RF level offset
'-' RECALL STORE 10 at switch-on.

These functions have first degree protection and are accessed by the following procedure:- Press SECOND FUNCT, 0, then the MOD OSC and ON/OFF keys simultaneously, holding these down for a minimum of 5 seconds. Follow this by pressing SECOND FUNCT and the numeral 4, 5, 6 or '-' as required.

168. Second level operation

- Second functions '7' RF level calibration
'8' FM calibration
'9' 2018/2019 software flag setting
'-' Calculation and storage of amended EAROM check sum

These functions have second degree protection and are accessed by the following procedure:- Press SECOND FUNCT, 0, then in the rotation given first MOD OSC then ON/OFF and finally CARRIER FREQ keys holding down all three keys for a minimum of 5 seconds. Follow this by pressing SECOND FUNCT and the numeral 7, 8, 9 or '-' as required.

169. Second function '3' Manual latch setting

Second functions 0, 1, 2, 4, 5, 6 and '-' are fully described in Vol. 1. Operating Manual. Second function 3, Manual latch setting, allows the operator to direct an 8 bit binary instruction to any of the instrument's internal latches for testing and fault-finding. The latch is selected first by selecting the SECOND FUNCT 3 mode then entering the number of the data valid line (1 digit 4 to 7), this information is displayed in the Modulation display window. This is followed by the number of the latch (2 digits 00 to 15) and is displayed in the RF level display window. The data is then entered in binary (8 binary digits 0000 0000 to 1111 1111) and is displayed in the Carrier Frequency display window. The data is sent to the requested latch on pressing the 'STORE' key. New data may be sent without re-entering the latch address if required.

170. Further details of the control data used for individual boards is given in Chap. 5, Maintenance. The example following illustrates the procedure for setting the control data to a board such as AC5, Amplitude modulator.

To set 30% modulation on the board carry out the steps (1) to (3) as follows:-

166. Normal operation

Second functions '0' Unlock
'1' Status information
'2' GPIB address setting
'3' Manual latch setting

These functions are unprotected and may be accessed directly:- Press SECOND FUNCT followed by 0, 1, 2 or 3 key as required.

167. First level operation

Second functions '4' SRQ mask setting
'5' RF level units setting
'6' RF level offset
'-' RECALL STORE 10 at switch-on.

These functions have first degree protection and are accessed by the following procedure:- Press SECOND FUNCT, 0, then the MOD OSC and ON/OFF keys simultaneously, holding these down for a minimum of 5 seconds. Follow this by pressing SECOND FUNCT and the numeral 4, 5, 6 or '-' as required.

168. Second level operation

Second functions '7' RF level calibration
'8' FM calibration
'9' 2018/2019 software flag setting
'-' Calculation and storage of amended EAROM check sum

These functions have second degree protection and access to Second level operation is restricted to authorized calibration units only. Interference with these second functions could invalidate the instrument's calibration.

169. Second function '3' Manual latch setting

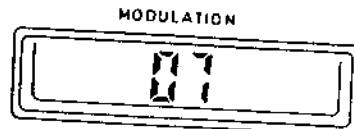
Second functions 0, 1, 2, 4, 5, 6 and '-' are fully described in Vol. 1. Operating Manual. Second function 3, Manual latch setting, allows the operator to direct an 8 bit binary instruction to any of the instrument's internal latches for testing and fault-finding. The latch is selected first by selecting the SECOND FUNCT 3 mode then entering the number of the data valid line (1 digit 4 to 7), this information is displayed in the Modulation display window. This is followed by the number of the latch (2 digits 00 to 15) and is displayed in the RF level display window. The data is then entered in binary (8 binary digits 0000 0000 to 1111 1111) and is displayed in the Carrier Frequency display window. The data is sent to the requested latch on pressing the 'STORE' key. New data may be sent without re-entering the latch address if required.

170. Further details of the control data used for individual boards is given in Chap. 5, Maintenance. The example following illustrates the procedure for setting the control data to a board such as ACS, Amplitude modulator.

To set 30% modulation on the board carry out the steps (1) to (3) as follows:-

Latch address for AC5 board is A7L0

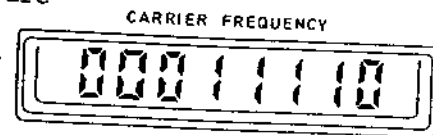
(1) Address (A7); Press the numeral 7 on the keyboard, display shows:-



(2) Latch (L0); Press the numeral 0 on the keyboard twice (L0 implies L00), display shows:-



(3) 30% Modulation; To obtain 30% modulation, set a binary 30 in the Carrier Frequency display by entering either 1's or 0's from the keyboard, numbers are rotated in from the right, display shows:-



To complete the operation press the STORE key.

171. Second function '7' RF level calibration setting

The output level is calibrated by setting a control number (0 - 255) at 10 MHz and 520 MHz (and 1040 MHz for 2019) via second function 5. At all other frequencies the required control data is calculated from these numbers. The instrument allows access to one of these numbers at a time, according to the current carrier frequency. The current value is shown in the RF level display window when second function 7 is selected: a new number may be entered via the keyboard, (or GPIB) or the displayed number changed using the UP and DOWN keys. The output level changes accordingly: to store the new number press the 'STORE' key.

172. Second function '8' FM tracking

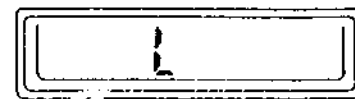
The frequency deviation when f.m. is selected is calibrated at 84 frequencies: at other frequencies the required data is calculated internally from the adjacent tracking point data. In order to set a calibration figure at a tracking point, the generator must first be set to the required frequency with f.m. on, in the normal way. Second function 8 will then display the current calibration number in the RF level display window. This number may be changed by entering a new number, or incremented using the UP and DOWN keys for convenient fine control: the change is effective immediately. The STORE key is used to overwrite the old number with the new: until this happens no permanent change to the calibration data is effected.

173. Should the generator be tuned to a frequency which does not correspond to a tracking point, second function 8 will display the "---" (retuning required) message.

174. Second function '9' 2018/2019 software flag setting

This software package is suitable to drive both the 2018 (520 MHz) and 2019 (1040 MHz) signal generators: second function 9 informs the microprocessor which instrument it is driving. Operation is as for alternative level calibration data selection: '1' indicates 2019; 0, 2018.

175. Second function '.' (decimal point). Calculation and storage of amended EAROM check sum. The initial operating mode of the instrument should be shown on the front panel display at switch on. This is CARRIER FREQ 520 MHz (2019, 1040 MHz) internal MOD OSC 1 kHz, no FM or AM MODULATION and minimum RF LEVEL (-127 dBm or equivalent). Before this occurs a check on the serviceability of the RAM and PROM is carried out and a check sum is also carried out on the EAROM stored data. If this is in error the instrument will be unable to take up the initial operating mode and will instead display the following error signal 'L' in the modulation window. At the same time an indication of the program mod state is also shown in the carrier frequency window. Earlier instruments, serial numbers 118401 having eight PROMs 44533-025C fitted and with a program mod state of either 01, 02, 03 or 04 do not carry the EAROM check sum capability.



176. The EAROM store carries the RF level calibration and FM tracking data. If this has been changed (as a result of recalibration) the check sum will not agree, therefore it is necessary to select Second function '.'. This operation calculates and subsequently stores the amended data for use thereafter as the valid check sum.

177. If the check sum is incorrect for reasons other than recalibration and this is considered an acceptable condition the instrument may be reset and used in the normal manner by pressing any of the front panel keys on the keyboard.

Chapter 5

MAINTENANCE

CONTENTS

Para.	
1	Introduction
11	Performance checks
11	Overall tests and adjustments
12	Frequency accuracy
13	RF output
15	Coarse attenuator functional check
17	Modulation oscillator performance
18	FM deviation
19	FM tracking
20	AM depth
22	External f.m. modulation sensitivity (ALC)
23	AM distortion
24	FM distortion
25	VSWR (5 MHz to 1 GHz)
26	Carrier harmonics and spurious signals
27	Reverse power protection
28	Fault location
28	Introduction
32	Use of second function 3
34	Maintenance kit
35	Fault finding to board level
36	Front panel failure
37	Output frequency error
40	RF level fault
45	Harmonic distortion fault
47	AM fault
49	FM fault
52	Residual f.m. problems
57	RPP failure
61	Board level fault finding
62	AA1 : LSD loop
68	AA2 : Microprocessor system
72	AA3 : Frequency standard
74	AB1 : Output v.r.d.
79	AB2 : Divide-by-two chain and f.m. drive
86	AB3 : RF oscillators
89	AB4 : Output phase detector
95	AB5 : Voltage controlled crystal oscillator (v.c.x.o) loop
98	AC2 : Beat frequency oscillator (BFO) system
100	AC3/13 : Filter and frequency doubler
109	AC4 : Output amplifier
112	AC5 : Amplitude modulator
115	AD11: Display
117	AD2 : Motherboard
118	AD3 : Modulation oscillator and f.m. control
123	AT0 & AT1 : 10 dB step attenuator
124	AT2 : Attenuator control

CONTENTS (continued)

Para.
125 Instrument calibration
125 EAROM initialization
126 Internal frequency standard
127 RF level
128 AM calibration
129 FM calibration
130 External modulation

Table

	Page
1 Test equipment	5
2 Decibel conversion table	7
3 dB μ V conversion table	9
4 ATO attenuator function check	12
5 Front panel failure	21
6 Output frequency error	22
7 RF level fault	25
8 AM fault	26
9 Typical f.m. tracking data	28
10 FM fault	29/30
11 Control data AA1	33
12 Control data AA3	35
13 Control data AB1	36
14 Divide-by-two control data AB2	37
15 Range control data AB2	38
16 IC2 control data AC3/13	44
17 IC6 control data AC13	44
18 DC voltages on IC4 outputs AC3/13	45
19 LF low-pass filter alignment (1-32 MHz) AC3	46
20 HF low-pass filter alignment (46-520 MHz) AC13	47
21 Frequency doubler AC13	47
22 Control data AD11	50
23 10 dB step attenuator control data AD2	51
24 Mod. osc. control data AD3	52
25 FM deviation control data AD3	52
26 Voltages on PLP, AT2	55



Fig.

	Page
1a Board location, access and pre-set adjustments	9
1b Location of components, connectors, plugs and sockets	10
2 Test gear attangement for r.f. output measurements	11
3 Modulation depth measurement	14
4 Test gear arrangement for the checking of external modulation sensitivity	14
5 Test gear arrangement for checking f.m. and a.m. distortion	15
6 Test gear arrangement to check v.s.w.r.	16

Annex

A Measurement of phase noise in signal generators

INTRODUCTION

1. This chapter contains information for keeping the equipment in good working order, checking overall performance, fault finding and realignment procedures. Before attempting any maintenance on the equipment you are advised to read the preceding chapter containing the technical description.
2. Test procedures described in this chapter may be simplified and of restricted range compared with those that relate to the generally more comprehensive factory test facilities, which are necessary to demonstrate complete compliance with the specifications.
3. Performance limits quoted are for guidance and should not be taken as guaranteed performance specifications unless they are also quoted in the performance data in Chap. 1. When making tests to verify that the instrument meets the stated performance limits, allowance must always be made for the uncertainty of the test equipment used.
4. In case of difficulties which cannot be resolved with the aid of this book, please contact our Service Division at the address given inside the rear cover, or your nearest Marconi Instruments representative. Always quote the type and serial number found on the data plate at the rear of the instrument.
5. Integrated circuit and semiconductor devices are used throughout this instrument and, although these have inherent long term reliability and mechanical ruggedness, they are susceptible to damage by overloading, reverse polarity and excessive heat or radiation and the use of insulation testers.
6. Numerous chip capacitors and resistors are fitted in this equipment. These have silver palladium end cap terminations. When soldering these devices the following precautions should be observed.
 - (i) Use solder containing 2% silver, and a temperature controlled 45 watt soldering iron set to 315°C (600°F). The use of a high wattage soldering iron will minimize the time taken to solder the device.
 - (ii) When soldering chip components to printed circuit boards a long fillet of solder should be laid on the track leading up to each end cap termination. This reduces the otherwise adverse inductive effects at high frequencies.
7. Static sensitive components.  The c.m.o.s. integrated circuits used in this instrument have extremely high input resistance and can be damaged by accumulation of static charges (see preliminary pages, Notes and Cautions). Boards that have such integrated circuits all carry warning notices against damage by static discharge. Care must also be taken when using freezer sprays to aid fault finding. These can create a static charge likely to change the programmed memory of (E)PROMS.
8. Beryllia health hazard.  This material is used in the construction of transistor TR10 in Unit AC4. Warning notices are displayed and extreme care must be exercised when wishing to disturb this transistor (see preliminary pages, Notes and Cautions).
9. Bulkhead connectors and gaskets. Special care should be taken to ensure that no r.f. leakage occurs. To this end all bulkhead connectors and lid sealing gaskets should be secure. It is essential that the unit lids be correctly relocated in their slotted recesses after removal.

10. Fault location. Some aid to fault finding is provided by the typical d.c. voltage and signal levels. Tables given are not extensive but are intended as a pointer to further investigation. It is emphasized that each fault table should be studied having regard for the others, since incorrect operation of a circuit may be caused by malfunction of an associated circuit.

PERFORMANCE CHECKS

Overall tests and adjustments

11. Many of the tests described in this chapter are simplified and of restricted range compared with those which would demonstrate compliance with the specification as described in paras. 1 to 4. If the results quoted in the following paragraphs are not obtainable refer to the related fault finding section and tables, and after repair ensure that realignment is carried out in accordance with that section, if applicable.

Frequency accuracy

Test equipment : items d, Digital frequency meter
n, Standard frequency source (10 MHz)

12. (1) Connect the frequency meter to the output of the instrument.
- (2) It is advisable to synchronize the frequency meter with an external standard frequency accuracy 2 parts in 10^8 if possible.
- (3) With the 2018 in any mode of operation and the INT standard selected carry out spot checks throughout the range of the instrument and ensure that frequencies are within specifications.
- (4) Check that the output from the rear panel STD FREQ IN-OUT socket is a nominal 3 V p-p frequency signal at 10 MHz \pm 1 Hz. The standard frequency trim R1 can be accessed through the upper right-hand side outer cover and enables the internal standard to be set against a primary external standard.

CAUTION.

Incorrect adjustment of this preset will impair the frequency accuracy of the generator. Allow at least 10 minutes warm-up and switch the frequency counter to Select 'B' 1 Hz resolution. Adjust R1 for a reading of 10 MHz \pm 1 Hz then switch the frequency counter to 0.1 Hz resolution and check that the indication is the same after five counter gates.

TABLE 1 TEST EQUIPMENT

Item	Description	Minimum use specifications	Recommended model
a	RF electronic millivoltmeter	Voltage range: 1mV to 3V r.m.s. Frequency range: 50kHz to 520MHz (2018), 1040MHz (2019). Accuracy: $\pm 5\%$ of f.s.d. up to 50MHz $\pm 2\text{dB}$ up to 900MHz, $\pm 3\text{dB}$ up to 1500MHz (using coaxial 'T' connector TM 7948).	TF 2603
b	T connector	VSWR \downarrow 1.2:1 at 1500MHz, terminated in 50 Ω .	TM 7948
c	N type 50 Ω load	VSWR \downarrow 1.05:1 up to 1500MHz.	TM 7967
d	Digital frequency meter	Frequency range: 10Hz to 2GHz. Sensitivity: 56mV r.m.s. p.d. into 50 Ω . Input impedance: LF 1MHz in parallel with less than 25pF. Nominal 50 Ω .	2435
e	Multimeter	Greater than 20k Ω /V.	GEC Selectest
f	Power meter & tft power head	Power range measurement: 0.03 μ W to 3W. Accuracy: 1% of f.s.d. Frequency range: 10MHz to 520MHz (2018), 1040MHz (2019) depending on the tft power head in use.	6460
g	Distortion factor meter	Fundamental range: 20Hz to 20kHz. Fundamental rejection: 80dB. Measurement accuracy: $\pm 2\%$ of full-scale $\pm 2\%$ of reading.	TF 2331A
h	AM/FM modulation meter with crystal osc.	FM frequency range: 4 to 1200MHz. Deviation range: 1.5 to 500kHz. AM frequency range: 4 to 400MHz. Modulation depth range: 30 & 100%. RF input frequency range: 4MHz to 1200MHz. Calibration accuracy: $\pm 3\%$.	TF 2300B & TK 2302
i	AF oscillator	Frequency range: 10Hz to 110kHz Accuracy: $\pm 3\%$ of reading. Distortion: Better than -100dB from 10Hz to 30kHz. Level: 0 to 3V.	TF 2104
j	Digital voltmeter	DC volts. Ranges: $\pm 10\text{mV}$ to $\pm 1000\text{V}$. Resolution: 0.01% of range (10 μ V on 100mV range). Accuracy: $\pm 100\text{mV}$ range $\pm (0.05\%$ of input $+0.02\%$ of range). $\pm 1\text{V}$ to 1000V range $\pm (0.02\%$ of input $+0.01\%$ of range).	
k	(i) Spectrum analyser (ii) Frequency extender (iii) Zero loss probe	Frequency range: 10kHz to 1.25GHz Variable persistence/storage display	TF 2370/TK 2373 & TK 2374

TABLE 1 TEST EQUIPMENT (continued)

Item	Description	Minimum use specifications	Recommended model
l	AF voltmeter	Range: 1mV to 100V f.s.d. Frequency range: 10Hz to 10MHz. Accuracy: $\pm 1\%$.	TF 2600B
m	Oscilloscope with dual trace capability	Bandwidth: 50MHz. Volts/division: 5mV to 20V.	TELEQUIPMENT D83 with V4 dual channel wide band amp. plug-in.
n	Standard frequency source (10MHz)	Output level: 4V p-p. Frequency accuracy: 2 parts in 10^8 .	Rubidium or Caesium reference unit
o	Variable d.c. power supply	0 to 30V d.c. at 1A.	TF 2155/1
p	Sweep oscillator & RF plug-in unit	Frequency range: 5MHz to 2GHz. Sweep output: +2V to +10V. Markers, amplitude -5V F1-F2 symmetrical sweep.	6700B/6730A
q	Rho-bridge with two standard 50 Ω loads and calibrated mismatched loads	Frequency range: 1MHz to 1GHz. Residual v.s.w.r.: $\frac{1}{2}$ 1.01:1 from 5MHz to 1GHz. Characteristic impedance: 50 Ω . Calibrated mismatched loads: 1.2:1, 1.5:1. Two standard 50 Ω loads, v.s.w.r. better than 1.02:1 from 1MHz to 1GHz.	

TABLE 2 DECIBEL CONVERSION TABLE

Ratio Down			Ratio Up	
VOLTAGE	POWER	DECIBELS	VOLTAGE	POWER
1.0	1.0	0	1.0	1.0
.9886	.9772	.1	1.012	1.023
.9772	.9550	.2	1.023	1.047
.9661	.9333	.3	1.035	1.072
.9550	.9120	.4	1.047	1.096
.9441	.8913	.5	1.059	1.122
.9333	.8710	.6	1.072	1.148
.9226	.8511	.7	1.084	1.175
.9120	.8318	.8	1.096	1.202
.9016	.8128	.9	1.109	1.230
.8913	.7943	1.0	1.122	1.259
.8710	.7586	1.2	1.148	1.318
.8511	.7244	1.4	1.175	1.380
.8318	.6918	1.6	1.202	1.445
.8128	.6607	1.8	1.230	1.514
.7943	.6310	2.0	1.259	1.585
.7762	.6026	2.2	1.288	1.660
.7586	.5754	2.4	1.318	1.738
.7413	.5495	2.6	1.349	1.820
.7244	.5248	2.8	1.380	1.905
.7079	.5012	3.0	1.413	1.995
.6683	.4467	3.5	1.496	2.239
.6310	.3981	4.0	1.585	2.512
.5957	.3548	4.5	1.679	2.818
.5623	.3162	5.0	1.778	3.162
.5309	.2818	5.5	1.884	3.548
.5012	.2512	6	1.995	3.981
.4467	.1995	7	2.239	5.012
.3981	.1585	8	2.512	6.310
.3548	.1259	9	2.818	7.943
.3162	.1000	10	3.162	10.000
.2818	.07943	11	3.548	12.59
.2512	.06310	12	3.981	15.85
.2239	.05012	13	4.467	19.95
.1995	.03981	14	5.012	25.12
.1778	.03162	15	5.623	31.62

TABLE 2 . DECIBEL CONVERSION TABLE (continued)

Ratio Down			Ratio Up	
VOLTAGE	POWER	DECIBELS	VOLTAGE	POWER
.1585	.02512	16	6.310	39.81
.1413	.01995	17	7.079	50.12
.1259	.01585	18	7.943	63.10
.1122	.01259	19	8.913	79.43
.1000	.01000	20	10.000	100.00
.07943	6.310×10^{-3}	22	12.59	158.5
.06310	3.981×10^{-3}	24	15.85	251.2
.05012	2.512×10^{-3}	26	19.95	398.1
.03981	1.585×10^{-3}	28	25.12	631.0
.03162	1.000×10^{-3}	30	31.62	1,000
.02512	6.310×10^{-4}	32	39.81	1.585×10^3
.01995	3.981×10^{-4}	34	50.12	2.512×10^3
.01585	2.512×10^{-4}	36	63.10	3.981×10^3
.01259	1.585×10^{-4}	38	79.43	6.310×10^3
.01000	1.000×10^{-4}	40	100.00	1.000×10^4
7.943×10^{-3}	6.310×10^{-5}	42	125.9	1.585×10^4
6.310×10^{-3}	3.981×10^{-5}	44	158.5	2.512×10^4
5.012×10^{-3}	2.512×10^{-5}	46	199.5	3.981×10^4
3.981×10^{-3}	1.585×10^{-5}	48	251.2	6.310×10^4
3.162×10^{-3}	1.000×10^{-5}	50	316.2	1.000×10^5
2.512×10^{-3}	6.310×10^{-6}	52	398.1	1.585×10^5
1.995×10^{-3}	3.981×10^{-6}	54	501.2	2.512×10^5
1.585×10^{-3}	2.512×10^{-6}	56	631.0	3.981×10^5
1.259×10^{-3}	1.585×10^{-6}	58	794.3	6.310×10^5
1.000×10^{-3}	1.000×10^{-6}	60	1,000	1.000×10^6
5.623×10^{-4}	3.162×10^{-7}	65	1.778×10^3	3.162×10^6
3.162×10^{-4}	1.000×10^{-7}	70	3.162×10^3	1.000×10^7
1.778×10^{-4}	3.162×10^{-8}	75	5.623×10^3	3.162×10^7
1.000×10^{-4}	1.000×10^{-8}	80	1.000×10^4	1.000×10^8
5.623×10^{-5}	3.162×10^{-9}	85	1.778×10^4	3.162×10^8
3.162×10^{-5}	1.000×10^{-9}	90	3.162×10^4	1.000×10^9
1.000×10^{-5}	1.000×10^{-10}	100	1.000×10^5	1.000×10^{10}
3.162×10^{-6}	1.000×10^{-11}	110	3.162×10^5	1.000×10^{11}
1.000×10^{-6}	1.000×10^{-12}	120	1.000×10^6	1.000×10^{12}
3.162×10^{-7}	1.000×10^{-13}	130	3.162×10^6	1.000×10^{13}
1.000×10^{-7}	1.000×10^{-14}	140	1.000×10^7	1.000×10^{14}

RF output

Test equipment : items a, RF electronic voltmeter
b, T connector
c, N type 50 Ω load
f, Power meter

13. The a.l.c. and fine attenuator output level is accurate to within ± 0.5 dB for carrier frequencies up to 520 MHz and within ± 1.0 dB for carrier frequencies from 520 to 1040 MHz. Test equipment shown in Fig. 2 below enables the output to be checked for carrier frequencies up to 50 MHz only. Output levels at frequencies higher than this should be checked using a power meter fitted with the appropriate tft head.

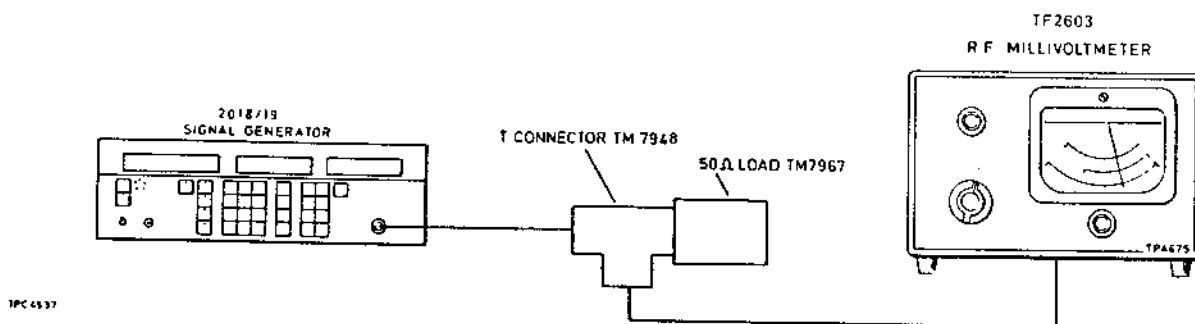


Fig. 2 Test gear arrangement for r.f. output measurements

14. Select an appropriate carrier frequency, AM OFF, RF LEVEL +13 dBm, increment the RF LEVEL in steps of 0.1 dB and check that the output level remains accurate down to a level of -3 dBm. Selection of levels below -2.9 dBm include the operation of the coarse attenuator and although the output may be measured at any level low power measurements require the use of specialized attenuator measuring equipment.

Coarse attenuator functional check

Test equipment : item k, Spectrum analyser

15. The 10 dB step attenuator contains three 30 dB pads, one 20 dB pad and one 10 dB pad. Each of these may be selected individually by utilizing the second function 3 mode. Connect the spectrum analyser to the RF OUTPUT socket and select +7 dBm on the 2018. The coarse attenuator ATO is controlled from AD2 motherboard, address A6L10. To select each of the relays in turn carry out the following procedure:-

(1) Select SECOND FUNCT 3.

(2) Enter by means of the instrument keyboard, the address valid, (6), followed by the address latch number (10). The modulation display window will indicate 06 and the RF level display window 10.

(3) Enter the data in binary 1 or 0 from the keyboard, numbers are rotated in from the right and are displayed in the carrier frequency window. Each relay may be selected by the binary number shown below in Table 4.

TABLE 4 ATO ATTENUATOR FUNCTIONAL CHECK

Binary No.								Relay de-energized Attenuator pad RF output		
D7	D6	D5	D4	D3	D2	D1	D0			
0	0	1	1	1	1	0	1	RLE	10 dB	-3 dBm
0	0	1	1	1	0	1	1	RLD	20 dB	-13 dBm
0	0	1	1	0	1	1	1	RLC	30 dB	-23 dBm
0	0	1	0	1	1	1	1	RLB	30 dB	-23 dBm
0	0	0	1	1	1	1	1	RLA	30 dB	-23 dBm

(4) Check that the output level falls to the appropriate level on the Spectrum analyser as each attenuator pad is selected.

16. The only electrical adjustment provided on AT1 board is a series of flags which may be used to adjust the calibration of each pad. In the 0 dB attenuation condition the attenuator has an insertion loss which is dependent upon the frequency selected. This insertion loss is compensated for by the ALC system on AC4. The flags are used to adjust the attenuation of each pad so that the difference between the attenuation of each pad being in or out is equal to the nominal attenuation of the pad at 1 GHz. To carry out comprehensive attenuator accuracy checks and realignment requires each pad to be separately set up using specialized measuring facilities and it is recommended that this be carried out only by the nearest Marconi Instruments agent or Service Division.

Modulation oscillator performance

Test equipment : items d, Digital frequency meter
g, Distortion factor meter

17. To test the frequency, distortion and output of the modulation oscillator proceed as follows:-

(1) Connect the frequency meter to the MOD INPUT/OUTPUT socket of the instrument using a BNC type connector (nominal output level and source impedance is 1 V e.m.f. and 1 k Ω respectively).

(2) Select by successive presses of the MOD OSC key each of the five pre-set modulation frequencies checking that the frequency indicated corresponds to the one selected $\pm 5\%$ and that each l.e.d. indicator on the instrument is lit as appropriate.

(3) Disconnect the frequency meter and connect the distortion factor meter. The measured distortion should not exceed 0.3%.

(4) Switch the distortion factor meter to Hi Z and check the output level. This should be greater than 800 mV e.m.f.

FM deviation

Test equipment : item h, AM/FM modulation meter

18. To check the deviation accuracy proceed as follows:-

- (1) Select CARRIER FREQ 100 MHz, MOD OSC 1 kHz, FM 100 kHz.
- (2) Connect the TF 2300B to the RF OUTPUT socket and tune to the carrier frequency.
- (3) Measure the deviation and check that it is within $\pm 5\%$ of the selected deviation.
- (4) Repeat the test for other deviation frequencies within the range of the instrument (1% of the carrier frequency in use).

FM tracking

Test equipment : item h, AM/FM modulation meter

19. To check the f.m. tracking proceed as follows:-

- (1) Connect the modulation meter to the RF OUTPUT socket.
- (2) Set to FM 100 kHz, MOD OSC 1 kHz, RF LEVEL +1 dBm.
- (3) Tune modulation meter to various carrier frequencies between 261 and 520 MHz and check that the output deviation remains at 100 kHz $\pm 5\%$.

AM depth

Test equipment : item h, AM/FM modulation meter

20. To check the a.m. depth proceed as follows:-

- (1) Select CARRIER FREQ 100 MHz, AM 80%, MOD OSC 1 kHz, RF LEVEL +7 dBm.
 - (2) Connect the modulation meter r.f. input to the 2018 RF OUTPUT socket.
 - (3) Tune the modulation meter to the 2018 carrier frequency and check that the a.m. depth is accurate to within $\pm 4\%$ of depth setting $\pm 1\%$.
 - (4) Check the a.m. depth at other carrier frequencies up to 400 MHz.
21. If a modulation meter is not available the a.m. depth can be assessed by using an oscilloscope to measure the peak and trough values of the modulation envelope. The a.m. depth is then determined by

$$\text{AM depth \%} = \frac{V_p - V_t}{V_p + V_t} \times 100$$

where V_p and V_t are the measured peak-to-peak and trough-to-trough amplitudes respectively.

AM distortion

Test equipment : items g, Distortion factor meter
h, AM/FM modulation meter

23. To check the internal a.m. distortion proceed as follows:-

- (1) Connect the test equipment as shown in Fig. 5 below.
- (2) Select CARRIER FREQ 100 MHz, MOD OSC 1 kHz, AM 80%, RF LEVEL 7 dBm.
- (3) Tune the modulation meter to the 100 MHz signal, checking that the distortion factor does not exceed an indicated 3% reading.
- (4) Repeat the test with CARRIER FREQ set to 400 MHz.

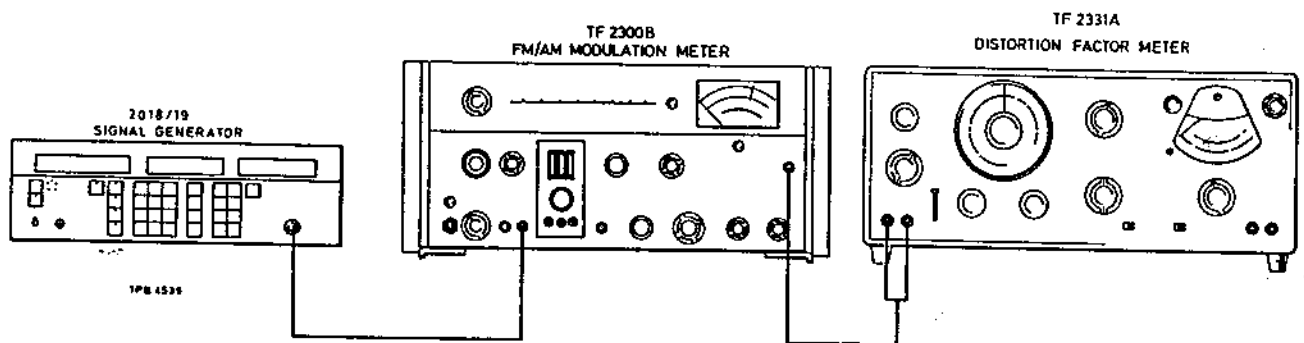


Fig. 5 Test gear arrangement for checking f.m. and a.m. distortion

FM distortion

Test equipment : items g, Distortion factor meter
h, AM/FM modulation meter

24. To check the f.m. distortion proceed as follows:-

- (1) Connect the test equipment as shown in Fig. 5. Select CARRIER FREQ 30 MHz, MOD OSC 1 kHz, FM 200 kHz.
- (2) Tune the modulation meter to the instrument and check that the distortion is not in excess of 3%.
- (3) Repeat the test for other amounts of deviation. The distortion over the total range should not exceed 3% for deviations of up to 70% of the maximum available at any carrier frequency.

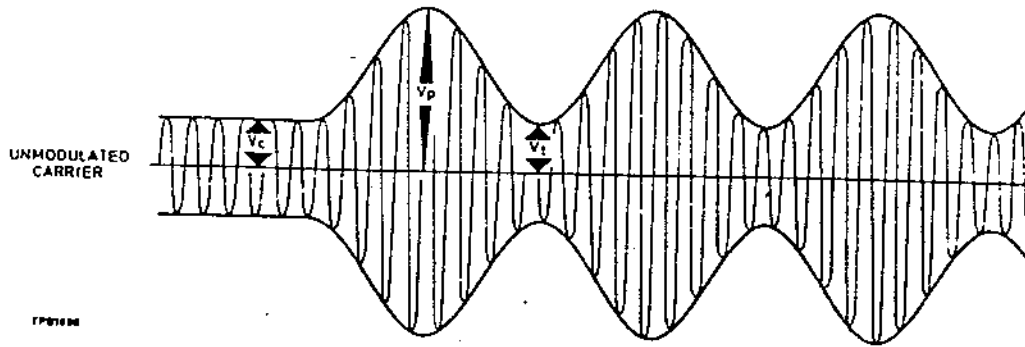


Fig. 3 Modulation depth measurement

External f.m. modulation sensitivity (ALC)

Test equipment : items h, AM/FM modulation meter
i, AF oscillator
l, AF voltmeter

22. The modulation level should remain reasonably constant for a given change in external modulation voltage and frequency. This sensitivity is checked as follows:-

- (1) Connect the test equipment as shown in Fig. 4.
- (2) Select FM 300 kHz, MOD OSC 1 kHz, CARRIER FREQ 30 MHz, RF LEVEL 0 dBm, check that the internal modulation oscillator frequency is 1 kHz ± 40 Hz at a level of 1 V ± 0.25 V.
- (3) Set 2018 to FM EXT, ALC ON, set the AF oscillator to give a 1 kHz, 1 V amplitude output and check that the f.m. deviation is the same as that for internal modulation.
- (4) Vary the input voltage between 0.8 and 1.2 V and check that the deviation remains constant.

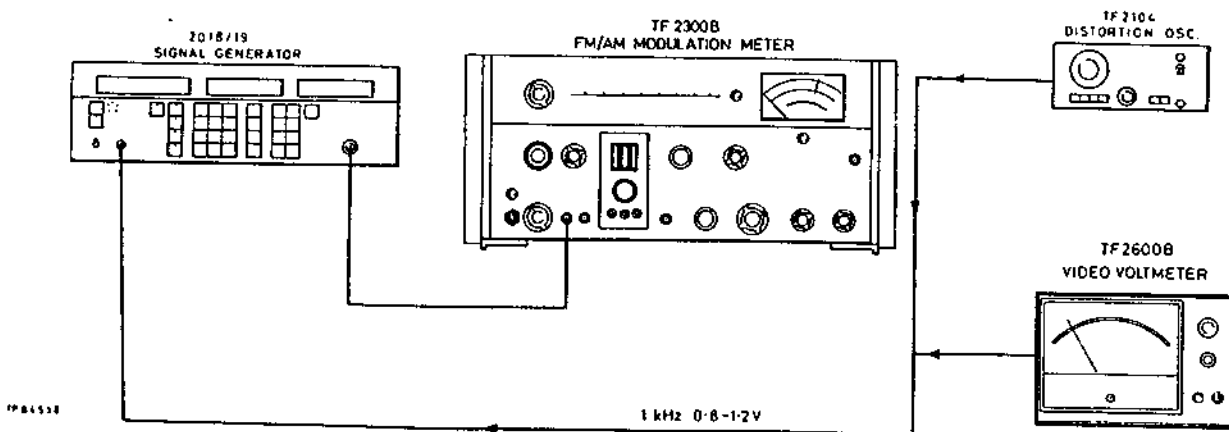


Fig. 4 Test gear arrangement for the checking of external modulation sensitivity

VSWR (5 MHz to 1 GHz)

Test equipment : items m, Oscilloscope with dual trace capability
P, Sweep oscillator & RF plug-in unit
Q, Rho-bridge with standard loads and calibrated mismatches

25. The impedance measurement may be carried out over almost all the frequency range of the instrument. Connect the test equipment as shown in Fig. 6 below.

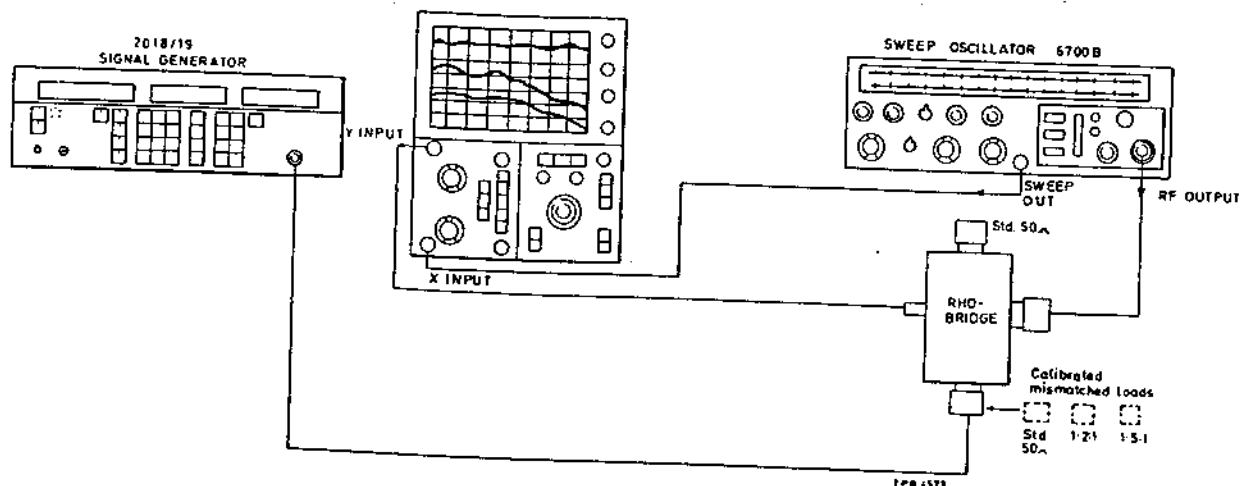


Fig. 6 Test gear arrangement to check v.s.w.r.

- (1) Set the sweep oscillator to F1-F2 and sweep from 5 MHz to 520 MHz, insert standard 50 Ω loads into the rho-bridge and set datum point near the top of the oscilloscope display. Replace one 50 Ω with a 1.2:1 mismatched load and adjust the d.c. output of the rho-bridge so that the vertical deflection of the oscilloscope occupies 5 or 6 c.m.s. for the mismatch change. Using a chinagraph draw the pattern on the oscilloscope graticule.
- (2) Remove the mismatched load and connect the 2018/2019 to the rho-bridge instead. Check that the v.s.w.r. does not exceed 1.2:1 with the RF LEVEL selected to -4 dBm or less.
- (3) For 2019 Signal Generators repeat steps (1) and (2) sweeping this time from 5 MHz to 1 GHz and using the 1.5:1 mismatched load to check that the v.s.w.r. does not exceed 1.5:1.

Carrier harmonics and spurious signals

Test equipment : item k, Spectrum analyser

26. To check the level of harmonics of the carrier frequency in a c.w. output proceed as follows:-

- (1) Connect the spectrum analyser to the RF OUTPUT socket and set the instrument to give a c.w. output at a convenient level below +7 dBm (1 V e.m.f.).
- (2) Tune the instrument through its r.f. range and check that the amplitude of any harmonic is greater than 30 dB down on the fundamental for carrier frequencies from 80 kHz to 520 MHz, and 20 dB down on carrier frequencies 520 MHz to 1040 MHz (2019).

Reverse power protection

Test equipment : items e, Multimeter
o, Variable d.c. power supply

27. Set the d.c. power supply to +5 V and apply this to the 2018 RF OUTPUT 50 Ω socket causing the RPP circuit to trip.

- (1) An indication that the REV PWR LIMIT has been exceeded is given in the RF LEVEL display window, a further indication of trip is given by the RF LEVEL function keys integral l.e.d. This will continually flash until the reset is operated.
- (2) Remove the +5 V source and check that there is no continuity between the 'N' type connector centre pin and earth (taking care not to damage the connector pin).
- (3) Reset the RPP by pressing the RF LEVEL key and ensure that both trip indications are turned off. Set the d.c. power supply to -5 V and apply this again to the RF OUTPUT 50 Ω socket checking that the RPP once more trips. Remove the d.c. source and reset the RPP.

FAULT LOCATION

Introduction

28. The following section consists of fault finding procedures, charts and tests to aid identifying faults. To assist with fault finding it is advisable to study the description of the overall instrument contained in Chap. 4. The functions of the various boards are generally well defined and independent of each other as far as possible and the parameters of the signals exchanged between them are not critical. All boards/modules are interconnected by a variety of connectors. A useful method of confirming if board or module is faulty is to substitute the unit with a unit that is known to be good (e.g. from a spare working instrument). This can save considerable fault finding time.

29. When disconnecting an r.f. connection between two units ensure that the metal clad connector cannot accidentally cause short circuits on the printed boards and create additional faults. If any of the ribbon cable connectors are unplugged ensure that when they are reconnected they are correctly posi-

tioned since the connectors do not incorporate polarizing plugs. Layout of boards, plugs, sockets and connectors in the RF boxes are shown on Fig. 1a and 1b.

30. If any rectification work is carried out in areas containing chip components certain precautions should be taken. Always use solder containing 2% silver and use a high wattage temperature controlled soldering iron set to 315°C (600°F). The temperature controller should preferably directly sense and control the temperature of the soldering iron bit. The soldering iron tip should also be earthed in order to avoid potential damage to static sensitive devices. The chip resistors used in areas other than the 10 dB step attenuator have nickel barrier terminations and are virtually immune to termination leaking problems. The ceramic chip capacitors used have palladium silver terminations that can dissolve or weaken in molten solder. If there is any possibility that a termination has been weakened during rectification work the suspect device should be replaced.

31. A useful technique for checking the soundness of chip capacitor terminations is to set the carrier frequency as low as applicable to the relevant circuit and then GENTLY tap the printed board (not the chip component) with a blunt non-metallic object (e.g. the handle of a screwdriver) checking the circuit for any intermittent level changes. Chip components can be mechanically damaged by rough handling or excessive flexing of the printed boards.

Use of second function 3

32. Second function 3 can be used as a diagnostic aid under certain circumstances. Its use requires that the microprocessor system and the keyboard is working normally. Second function 3 may then be used to send data to any specified latch. This will enable the operator to establish that the correct data is arriving at the input to the latch by using a storage oscilloscope triggered from the clock input of the latch and observing the data at the latch input as the latch is clocked. Each latch is identified on the circuit diagram by a data valid line and an address e.g. on AC5 the address of the D-A converter, IC4, is given as A7L0. The data valid line is 7 and the latch address is 00 (2 digits are required L0 implies 00, L1 implies 01 etc.). Data can be sent to this latch by pressing the keys "SECOND FUNCT", "3", followed by the data valid line "7" and the latch address "0", "0", (2 digits). The data valid line will be displayed in the modulation display and the address is displayed in the r.f. level display. This is followed by entering a string eight binary digits (1's and 0's) corresponding to the data to be sent (D7 first). Pressing the store key will cause the microprocessor to send the data to the specified latch. If the data that is being send needs to be sent again pressing the STORE key again will send the same data. If the data is to be modified this can be accomplished by entering a new string of data and then pressing the STORE key again.

33. Where data is to be sent to the 10 bit D-A type AD7522 the data has to be sent in two bytes. The least significant eight digits are sent first to one latch address (as specified in the control data information), this is stored in a buffer (inside the D-A chip). A new latch address is then entered corresponding to the most significant bits, followed by the required binary data. On pressing the STORE key this data is sent to the D-A and the D-A in turn is set to data specified by the whole 10 bit number. Any data sent via second function 3 remains in the receiving latch until one of the orange function keys is pressed. The microprocessor will then overwrite any data sent and restore the instrument to normal operation.

Maintenance kit

34. The maintenance kit contains the following items which may be used for fault finding and servicing.

- (1) RF lead part number 43129-835R. A 20 cm long SMC female to SMC male connector assembly. Intended to be used when the upper r.f. box is raised for servicing. This lead enables the operator to reconnect the free end of the semi-rigid cable assembly PLAV to PLAX (which connects the synthesizer output from the upper r.f. box to the lower r.f. box) to SKAV in the upper r.f. box.
- (2) RF lead part number 43129-834C. A 70 cm SMC to BNC lead to enable the output from SMC connectors to be monitored.
- (3) RF lead part number 43129-836B. A 70 cm SMB to BNC lead to enable the output from SMB connectors to be monitored.
- (4) Connector assembly part number 54129-833M. A 70 cm crimp to BNC lead to enable the output from a p.c.b. to be monitored where the output is on .025 in square wrap posts.
- (5) Adapter part number 44828-753H. A 50 to 200 Ω adapter which can be used in conjunction with 43129-833 to monitor a 200 Ω output from a board on .025 in square wrap posts. The adapter introduces a 12 dB insertion loss.
- (6) LCD extraction tool, part number 46883-530G.
- (7) LCD insertion tool, part number 46883-529S.

FAULT FINDING TO BOARD LEVEL

35. The following section describes fault finding routines and algorithms which may be used to help diagnose faults down to board level. The fault finding routines start from a generalized fault condition and guide the operator to the most likely area of the fault. The generalized fault conditions used as a starting point are as follows:

- (a) Front panel failure.
- (b) Output frequency error.
- (c) Output r.f. level error.
- (d) Carrier harmonic problem.
- (e) AM fault.
- (f) FM fault.
- (g) Residual f.m. problems.
- (h) RPP failure.

Choose the description that most closely describes the fault condition and use the fault finding guide to establish the area of the fault. Before using the fault finding tables read the notes that accompany the tables.

Front panel failure

36. A chart to aid fault finding a front panel failure is given in Table 5. A front panel failure is defined as a fault in which the keyboard or the display is not operating correctly. One of the first objectives is to establish if the display or keyboard is causing the fault or whether the microprocessor system is not operating. If the microprocessor system is functioning but has a memory fault an error message will be displayed. The error message will appear as the letter P in the modulation display if there is a PROM error, a letter H if it is a RAM error, or a letter L if an EAROM check sum is invalid. In the event of a microprocessor failure in which the microprocessor cannot run the check sum no error message will be displayed. In this case testing to see if the microprocessor board is waiting for a keyboard press should indicate if the microprocessor program is running.

Output frequency error

37. A chart to aid fault finding an output frequency error is given in Table 6. An output frequency error is defined as a fault in which the output carrier frequency, when measured using a frequency counter operating from the same frequency standard as the instrument, indicates that the output frequency differs from the value set.

38. If the instrument has been set to operate from an external frequency standard, ensure that an external standard of 10 MHz at 1 V r.m.s. across 50 Ω is applied to the external standard input on the rear panel. Since the output frequency is synthesized in the upper r.f. box any frequency synthesis fault is likely to be in the upper r.f. box with the exception of frequencies below 2.03125 MHz. Faults confined to this b.f.o. band are covered in the section relating to r.f. level faults. For ease of fault finding the r.f. output from the SMC connector, SKAV, at the rear of the upper r.f. box should be used to monitor the output frequency. The output level from this connector should be approximately 0 dBm but its absolute level and flatness is not critical. The waveform is nominally a square wave and so it has a high harmonic content. Certain frequency counters and modulation analysers may be prone to acquiring harmonic frequencies of the output.

39. The carrier frequency is synthesized over the frequency range 260 to 520 MHz (the fundamental octave) and then divided down by factors of two. If the fault exists on the fundamental octave it is always easier to locate the fault with the instrument set on this range, since it is easier to calculate the intermediate frequencies used to generate the output. Before starting to fault find, read and understand the description of the synthesizer given in Chap. 4 since it may be necessary to calculate the intermediate frequencies very precisely in order to locate the fault. When dealing with small frequency errors it is advisable to operate the counter measuring the output frequency from the same frequency standard as the instrument.

RF level fault

40. A chart to aid fault finding an r.f. level fault is given in Table 7. An r.f. level fault is defined as a failure which results in the r.f. level being out of specification but the carrier frequency is correct and the output signal is not unduly distorted. In assessing if the r.f. level is out of specification the r.f. offset facility should be switched off (second function 7). It is also assumed that the error is such that the instrument does not just require recalibrating.
41. The r.f. level accuracy is set up using second function 7. If it is found that the instrument is out of calibration but can be recalibrated using second function 7 it is possible that the fault is due to the EAROM store on AA2 not permanently storing data (see fault finding AA2). Usually (but not always) such faults will also be accompanied by f.m. tracking faults and failure to store instrument settings, r.f. level units or GPIB address. RF level errors are only likely to originate in the lower r.f. box, the attenuator module, or the associated control systems and connectors. The lower r.f. box derives its input from the upper r.f. box via SKAW as a nominal 0 dBm square wave. Because the Amplitude Modulator ACS acts as a signal limiter the input level to ACS is not critical.
42. For carrier frequencies above 32.5 MHz the square wave output from ACS is routed through a low-pass filter bank on AC3/13. The filters convert the signal into a sine wave at SKCS of AC3/13. Frequencies above 520 MHz are generated by a frequency doubler on AC13 (2019 only) and also appear on SKCS of AC13. The signal then goes to AC4 via PLCS and is amplified by a variable gain amplifier before going onto the output stages of AC4. RF level faults which are confined to frequencies above 32.5 MHz are most likely to arise because of faults in the filters of AC3/13 or the r.f. amplifiers on AC4.
43. Frequencies below 32.5 MHz are routed through a bank of low-pass filters on AC3/13. If the output frequency is above 2.03125 MHz it is then routed to AC2 via PLCT and then to a variable gain amplifier on AC4. If the required output frequency is below 2.03125 MHz a 10 MHz to 12.03125 MHz signal is routed to AC2 via PLCW in order to be mixed with 10 MHz to produce the low frequency signal. RF level faults which are confined to frequencies below 32.5 MHz can therefore originate anywhere along this signal path. It should be noted that much of this low frequency signal path is operating in a 200 Ω system and not the more usual 50 Ω system. For this reason when using a 500 Ω probe to fault find along the signal path some allowance must be made for the loading effects of the probe. If it is required to monitor the output from PLCT of AC3/13 with a 50 Ω spectrum analyser or modulation meter with SKCT disconnected then a series 150 Ω resistor should be used (at the SKCT end) to convert the load into 200 Ω and due allowance made for the resulting insertion loss of 12 dB.
44. RF level faults can be caused if the amplifier system has too much or too little gain and the a.l.c. is therefore unable to control the signal level correctly. The 2018 has been designed to have a considerable gain margin and a typical instrument will have a margin of 8 dB at its worst frequency. The gain margin can be checked if necessary by first setting the output level to 7 dBm and then shorting the junction of R44 and R45 of AC5 to ground using a screwdriver or similar implement. The output level should rise by at least 3 dB (typically a minimum of 8 dB). The signal chain can then be tested for having too much gain by setting the output level to -2.9 dBm and then shorting the junction of R87 and R90 on AC4 to ground. The output level should fall by at least 4 dB.

Harmonic distortion fault

45. Investigating harmonic distortion faults is usually a straightforward problem so a fault finding algorithm has not been provided. Until the signal arrives on AC3/13 its harmonic content has little effect on the performance of the instrument. On AC3/13 the nominal square wave is filtered by a bank of low-pass filters which converts the signal into a sine wave.

46. For problems above 32.5 MHz monitor the nominal -6 dBm signal from SKCS of AC3/13. If the harmonic content is high the fault is on AC3/13. If the harmonics are -40 dBc or better the fault is on AC4. For problems below 32.5 MHz trace the signal path from the filters on AC3/13 to AC2 and AC4 and identify where the harmonic problems start. Much of the low frequency channel operates in a 200 Ω transmission system so care must be taken not to load the system with less than 500 Ω when probing the signal path. The 50 to 200 Ω adapter in the maintenance kit can be used to break into the signal path.

AM fault

47. An a.m. fault finding algorithm is given in Table 8. It is assumed that the output frequency is correct and the r.f. level accuracy and harmonic distortion is in specification. The fault finding algorithm first establishes if the fault is inside the lower r.f. box or is on AD2 or AD3.

48. When monitoring the output from SKDF AC5 it should be remembered that the output signal is a square wave and the modulation meter used must be capable of rejecting the high level of carrier harmonics present. If the modulation meter is automatically tuned care should be taken to ensure that the instrument tunes to the fundamental and not a harmonic.

FM fault

49. An f.m. fault finding algorithm is given in Table 10. The f.m. drive system is complicated by the requirement to provide f.m. tracking and range scaling to account for the division or multiplication by two of the fundamental octave as well as providing fine control of the deviation. Most of the algorithm is therefore devoted to identifying which part of the control system is at fault.

50. Information on the use of second function 8 is given in the calibration section. In addition second function 3 can be used to check that the various digital to analogue converters are working. A digital a.c. voltmeter can be used to check the input and output levels of a D-A converter and hence establish if the gain of the converter is correct. If the divide-by-two system dividing the f.m. deviation is at fault it should be remembered that the division is accomplished using a divide-by-four system on AB2 as well as a divide-by-two, IC17, on AD3.

51. As an aid to diagnosing a fault in the f.m. tracking store Table 9 gives a list of the carrier frequencies used as f.m. tracking points together with the typical values of f.m. tracking data. Typically instruments will be within approximately 20% of the listed values.

TABLE 9 TYPICAL FM TRACKING DATA

OSC 1		OSC 2		OSC 3		OSC 4	
Frequency	Data	Frequency	Data	Frequency	Data	Frequency	Data
260.00001	164	309.00001	157	368.00001	136	437.00001	113
262.45	182	311.95	166	371.45	142	441.15	118
264.9	186	314.9	180	374.9	150	445.3	125
267.35	183	317.85	178	378.35	150	449.45	125
269.8	187	320.8	182	381.8	151	453.6	127
272.25	189	323.75	183	385.25	150	457.75	127
274.7	189	326.7	183	388.7	150	461.9	127
277.15	189	329.65	182	392.15	145	466.05	123
279.6	189	332.6	174	395.6	142	470.2	123
282.05	187	335.55	169	399.05	142	474.35	117
284.5	182	338.5	171	402.5	134	478.5	117
286.95	183	341.45	167	405.95	131	482.65	112
289.4	180	344.4	157	409.4	131	486.8	113
291.85	178	347.35	159	412.85	125	490.95	110
294.3	175	350.3	155	416.3	125	495.1	107
296.75	175	353.25	150	419.75	123	499.25	107
299.2	175	356.2	151	423.2	121	503.4	106
301.65	175	359.15	150	426.65	121	507.55	106
304.1	176	362.1	152	430.1	121	511.7	106
306.55	175	365.05	155	433.35	121	515.85	109
309	177	368	154	437	121	520.0	108

Residual f.m. problems

52. This section provides guidance for identifying the source of residual f.m. problems. No fault finding algorithm is provided. Residual f.m. problems are usually the result of spurious modulation of the oscillators in the upper r.f. box. The internal frequency standard should be checked first for spurious modulation. The most sensitive oscillator is the bank of four oscillators on AB3 (only one is in use at any given time) whose varactor diode sensitivity can be up to 10 MHz/V. Even very low level signals can cause spurious signals.
53. If the spurious signal is related to the mains frequency check that the d.c. power supplies do not have high levels of ripple. Typically the +5 V supply has 100 μ V of 100 Hz (or 120 Hz) and the +15, -15 and +24 V supplies have 30 μ V or less. Check that the regulators on AB4 (+11.5 and -11.2) are within 12% of their nominal value. Check that the +5 V regulator IC1 on AA0 is operating correctly.
54. Instability in a phase locked loop can cause coherent spurious signals to be generated. This can be checked by observing the varactor diode voltages on AA1, AB5 and AB4 with an a.c. coupled oscilloscope and checking for coherent signals. Phase locked loop instability will normally produce significant signal excursions while maintaining the average frequency of the loop at the correct frequency. It should be noted that the input to the oscilloscope must be a.c. coupled since the loading of even quite high impedances (10 M Ω) can result in the phase detector having to produce a significant output at the phase detector rate.
55. The output phase locked loop can be made unstable in the f.m. off mode if the loop filter control lines on AB4 and AB3 are not operating correctly. A similar problem can exist in the f.m. on mode but normally one of the modes will operate if the fault is due to the loop filter control lines. Phase locked loop instability, where the average output frequency is correct, but the frequency is very unstable, is most likely to be caused by faulty components in the analogue part of the phase detector where the output current pulses are directed to the loop filter and the resulting d.c. is fed to the varactor diodes.
56. If the amount of residual f.m. is small (though not out of specification) and no obvious fault can be found the problem may originate in AB3. More fault finding data for AB3 is given in the board level fault finding section.

RPP failure

57. The RPP system uses a reed to protect the output of the attenuator from the accidental application of reverse power (d.c. or r.f. power). The RPP can be tested by applying ± 5 V d.c. to the r.f. output connector. If the l.e.d. in the RF LEVEL key flashes and the REV PWR LIMIT annunciator is set but the RPP delay does not go open circuit, first check to see if the yellow l.e.d. D10, on AT2 is on. If it is on this indicates that although the detector has alerted the keyboard the RPP delay has been left on and the fault is on AT2. If D10, AT2 is not on check that the voltage on C1, AT0 is at approximately 0 V. If it is, relay assembly RLF, AT1 has been damaged.
58. If applying ± 5 V to the r.f. output fails to produce a front panel response and the RPP relay remains closed check that approximately 0.75 V is present on C2, AT0 if +5 V has been applied, or that -0.75 V appears on C3,

ATO if -5 V is applied. If this voltage is not present the fault is on AT1 and if the voltage is present the fault is on AT2.

59. If the front panel does not respond but the RPP relay is open circuit this will indicate that the control line from AT2 to the keyboard AD4 is not operating the electronic switch on AD4 and the fault can be traced from AT2 to AD4 via AD2.

60. If the front panel responds as soon as the instrument is switched on and without reverse power being applied, this indicates that there is a fault in the detector system on ATO or the RPP is not being reset when the instrument is switched on. The RPP reset line can be traced using second function 3. It should be noted that if AD3 is not plugged into its edge connector, the RPP will not be reset because the attenuator address latch (A6L10) is decoded on AD3.

BOARD LEVEL FAULT FINDING

61. The following section gives guidance on fault finding at board level. Where appropriate, guidance is given on how to fault find on the printed board; the control data generated by the microprocessor; information on waveforms that can be expected at various points on the circuit, and how to realign the board before recalibrating the instrument.

AA1 : LSD loop

62. AA1 includes a complete phase locked loop and an additional variable ratio divider (VRD). Phase locked loop faults can be traced by checking each element in the system i.e., the oscillator, the VRD and the phase detector.

63. First check that the oscillator is working (not necessarily at the correct frequency) by monitoring TP1. In a functioning loop, its frequency will be between 10 and 19.999 MHz. A fault elsewhere on the board may result in the frequency being incorrect in which case the voltage on TP2 should be checked to see if it is giving the expected varactor voltage for the observed oscillator frequency. If the frequency on TP1 is correct the fault will be the VRD formed by IC10 - IC17 and fault finding can be carried out in the same way as when fault finding on the phase locked loop's VRD.

64. If the oscillator is functioning correctly but is not at the correct frequency, check the division ratio of the VRD by measuring its input and output frequency and calculating the ratio. If the VRD is at fault check that the data latched by IC8 and IC9 is correct. If no fault is found check that each of the counters IC3 to 7 have clock input pulses on pin 2 and that the QA and QD outputs (pins 14 and 11) have pulses which reduce in frequency by factors of approximately 10 as the signal progresses down the counter chain. Failure of a device to produce these pulses would indicate that either the RESET line is low (fault IC16) the relevant IC is faulty or there is a fault with the carry out pulse from pin 15 of the previous counter IC.

65. If the VRD is not at fault check the phase detector circuit for faults. As a further aid to fault finding the mini-jump linking TP3,4 may be removed and a variable positive voltage applied to TP4 in order to directly control the oscillator frequency. If the oscillator frequency (on TP1) is adjusted just above the correct frequency, TP2 should be pulled down to 0.2 V by the phase detector. If the frequency is pulled too low then TP2 should be driven to 14.8 V by the phase detector.

66. Control data AAI. To calculate the control data for AAI first calculate the carrier frequency generated by AB3 using the block diagram. This will equal the output frequency if it is between 260.00001 MHz and 520 MHz. Consider the frequency to be ABC.DEFGH MHz. Data sent is then as shown in Table 11 below.

TABLE 11 CONTROL DATA AAI

Latch address	IC numbers	Data Lines	Data
A6L0	IC11	D0-D3 D4-D7	Second m.s.b. of (10000 - ABCD) m.s.b. of (10000 - ABCD)
A6L1	IC10 IC10	D0-D3 D4-D7	1.s.b. of (10000 - ABCD) Second 1.s.b. of (10000 - ABCD)
A6L2	IC9 IC9	D0-D3 D4-D7	Nines complement of F Nines complement of E
A6L2	IC9 IC8	D0-D3 D4-D7	Nines complement of F Nines complement of G

67. Test/data AAI.

- TP1 Output from l.s.d. oscillator. Frequency between 10 and 20 MHz. Waveform amplitude is typically 5 V p-p at 10 MHz and 4 V p-p at 19.999 MHz.
- TP2 Varactor voltage for l.s.d. oscillator. DC level 2.28 V at 10 MHz, 10.1 V at 19.999 MHz.
- TP3,4 Mini jump may be removed and a d.c. voltage applied to TP4 to control the l.s.d. oscillator while fault finding.
- TP5,6,7,8 Used by Marconi Instruments Autotest only.
- IC16, pin 9 Normally high with a 50 ns pulse to low state with a p.r.f. of 1 kHz if the l.s.d. loop is working. An additional very narrow pulse may be present 400 to 800 ns previous to this pulse - this is not a fault.
- IC7, pin 14 Pulse waveform with p.r.f. of 1 kHz. Mark to space ratio is variable, being low for 100 ns when the l.s.d. is at 10 MHz and approximately a square wave.
- IC1, pin 11 Pulse waveform 1 kHz p.r.f.
- IC1, pin 5 When phase locked normally high with low 60 ns pulses at a p.r.f. of 1 kHz. If l.s.d. loop oscillator frequency is high (not phase locked) it should produce wider pulses to try to pull the oscillator frequency lower.
- IC1, pin 8 When phase locked normally low with high 50 ns pulses at p.r.f. 1 kHz. If the l.s.d. loop oscillator frequency is low (not phase locked) it should produce wider pulses to try to pull the oscillator frequency higher.

AA2 : Microprocessor system

68. The board AA2 contains the microprocessor controller and an interconnection system for distributing control data. All the complex IC's on this board are plugged into IC sockets in order to aid fault finding. Without these sockets fault finding can be difficult because of the complex nature of the operations undertaken on this board. If the error message "H" is displayed at switch-on this indicates a RAM fault in either IC3 or IC7. If the error message "P" is displayed at switch-on this indicates a fault in the PROM set IC13,14,15 or 16. This set of IC's is normally replaced as a set. Faulty IC sockets, breaks or shorts in tracks may also lead to error messages being displayed if they result in the RAM/PROM being incorrectly read. If error message "L" is displayed the calibration data in the EAROM store has changed and does not agree with the check sum. This would indicate a faulty EAROM or that the -30 V supply is being incorrectly switched during switch-on or off.

69. Failure to display an error message does not eliminate RAM or PROM faults if the microprocessor is unable to run the system. If no obvious fault can be found (e.g. IC's running hot) first check that there is a clock signal on IC1 pin 37. If there is not check for loading effects by removing the mini-jump from TP7,8 and then try replacing IC1 and XL1. If no fault can be found try replacing each IC in turn until the cause can be found.

70. Faults confined to the EAROM store should be investigated by first checking that the -30 V supply to the EAROM, IC8, is operated during a store operation. Also check that at switch-on and switch-off the -30 V line is not turned on. If these tests are satisfactory replace IC8 and re-calibrate the instrument. The replacement EAROM will have to be initialized as described in the calibration section.

71. Test data AA2.

- | | |
|---------------|---|
| IC1, pin 37 | Microprocessor clock 3.072 MHz. |
| IC7, pin 35 | Normally low. When completing a store operation it should go intermittently high (and sometimes tri-state) in order to turn on the -30 V supply to IC8. |
| IC9, pin 12 | Normally at -15 V. When completing a store operation it should oscillate between -15 V and ground. |
| IC9, pin 2 | Normally at 0 V. On completing a store operation it should oscillate between 0 and -15 V. |
| TR5 collector | Normally at 0 V. When completing a store operation it should oscillate between +5 and -15 V. |
| TR4 emitter | Normally at -15 V. When completing a store operation it falls to -30 V. |
| IC8, pin 1 | Normally at +5 V. On completing a store operation it falls to -30 V intermittently. |

AA3 : Frequency standard

72. Control data AA3. The control data for AA3 is latched on AA2 as shown in Table 12 below.

TABLE 12 CONTROL DATA AA3

Latch address and data line	PLBP pin no.	Data
A6L5 D4	5	Logic high if INT STD. low if EXT STD.
A6L5 D6	10	Logic high if output frequency is >2.03125 MHz.

73. Test data AA3.

- IC1, pin 4 On INT STD 3 V p-p 10 MHz standard.
On EXT STD logic low.
- IC1, pin 5 High for INT STD.
Low for EXT STD.
- IC2, pin 10 On INT STD t.t.l. level 10 MHz signal.
On EXT STD logic low.
- IC3, pin 1 TTL level 10 MHz signal.
- IC3, pin 9 TTL level 100 kHz signal.
- IC4, pin 9 TTL level 1 kHz signal.
- IC2, pin 4 For carrier frequencies from 2.03126 MHz logic low.
For carrier frequencies up to 2.03125 MHz t.t.l.
level 10 MHz signal.
- R8,R9 junction Nominal sine wave \approx 2.6 V p-p.
- PLBP, pin 14 Nominal sine wave 0.6 V p-p with spurious amplitude modulation caused by the v.c.x.o. frequency on AB5.

AB1 : Output v.r.d.

74. If a fault on AB1 has been diagnosed first check that the r.f. voltage on the collector of TR1 is correct. If the fault results in there being no output from PLBU this normally indicates a catastrophic failure of one of the components in the divider chain. Use an oscilloscope to check that there is a clock pulse on TP1. If there is not this indicates a fault in one of the dividers IC1, IC2 or the buffer stage IC3a. Then use the oscilloscope to check that the QA and QD outputs of IC7,8,9 are toggling. If none are toggling check that TP3 is generally high. If it is not, this indicates a fault in the subsidiary counter system formed by IC11,12. If TP3 is high and none of the IC's toggle the fault is likely to be in IC7.

75. If the VRD is functioning and the division ratio is controllable (though the ratio is wrong) check that the correct data has been latched on IC4,5. If the incorrect division ratio seems to be related to one decade of the division ratio only, replace the respective counter (IC6 for 100 kHz decade, IC7 for 1 MHz decade, IC8 for 10 MHz decade and IC9 for 100 MHz decade of the fundamental frequency). When the 100 kHz decade (IC6) is suspected it is possible that a fault exists in the 10 or 11 divider, IC2, or its associated control circuit.

76. If the VRD produces an output signal but the division ratio is not controllable this indicates a fault in one of the devices that reset the counter chain. Check that all the inputs to IC12 are toggling and that periodically there is an output pulse on TP4 which enables the subsidiary counter IC11.

77. Control data AB1. AB1 uses two latch addresses to receive control data. These addresses are identical with two addresses on AA1. As with AA1 assume the output frequency from AB3 is of the form ABC.DEFGH MHz where ABCD is between 2600 and 5200. The data sent to AB1 is then as shown in Table 13 below.

TABLE 13 CONTROL DATA AB1

Address	IC No.	Data Lines	Data
A6L0	IC5	D4 - D7 D0 - D3	MSB of (10000 - ABCD) Second m.s.b. of (10000 - ABCD)
A6L1	IC4	D4 - D7	Third m.s.b. of (10000 - ABCD) LSB of (10000 - ABCD)

78. Test data AB1.

- TR1 collector 0 dBm signal at fundamental frequency.
- TP1 TTL level signal. Frequency approx. 13 to 26 MHz according to fundamental frequency set.
- TP2 TTL level. Normally high with a low pulse of between 0 ns (non existent) and 750 ns according to the fundamental frequency set and the setting of the l.s.d. (100 kHz decade of fundamental freq.) of VRD setting.
- TP3 TTL level. Normally high with low pulse of 75 ns to 150 ns duration according to fundamental frequency setting.
- TP4 TTL level. Normally low with two high pulses close together. The first and only significant pulse is between 40 ns and 80 ns wide according to the fundamental frequency. Frequency is approximately 50 kHz.
- TP5 For Marconi Instruments Autotest use.
- IC9, pin 12 TTL level. Output from VRD. Frequency approx. 50 kHz.

AB2 : Divide-by-two chain and f.m. drive

79. The r.f. divide-by-two system on AB2 is generally straightforward. A fault will normally result in a failure to frequency divide the signal over one or more octaves and either produce the wrong output frequency or no output at all. The fault will normally be found in the highest frequency circuit that fails to operate correctly. Check that when the fault occurs the data latched by IC8 is correct and check the input and output circuits of the divide-by-two that normally generates the required octave of frequency. The relevant dividers are listed below :

Output frequency range	Output IC No.
260-520 MHz	-
130-260 MHz	1
65-130 MHz	2
32.5-65 MHz	3
16.25-32.5 MHz	4
8.125-16.25 MHz	4
4.0625-8.125 MHz	5
2.03125-4.0625 MHz	5

If all frequencies below 130 MHz are affected, check that IC6 is not faulty.

80. Control data AB2. Two sets of control data are required for AB2. The data sent to the octal latch IC8 control the circuits that divide the output from AB2 by factors of two as shown in Table 14 below.

TABLE 14 DIVIDE-BY-TWO CONTROL DATA AB2

Output frequency of instrument (MHz)	Data sent to latch A6L4 IC8 of AB2							
	D7	D6	D5	D4	D3	D2	D1	D0
1040 - 520.00002	1	1	0	0	0	1	1	1
520 - 260.00001	1	1	0	0	0	1	1	1
260 - 130.00001	1	0	1	0	0	1	1	1
130 - 65.00001	1	0	0	1	0	1	1	1
65 - 32.50001	1	0	0	0	0	0	1	1
32.5 - 16.25001	1	0	0	0	0	1	0	0
16.25 - 8.12501	1	0	0	0	1	1	0	0
8.125 - 4.06251	1	0	0	0	1	1	0	1
4.0625 - 2.03126	1	0	0	0	1	1	1	1
0.08 - 2.03125	1	0	0	0	1	1	0	0

81. The second set of control data is required to provide range data for the f.m. drive circuits. From the f.m. deviation the instrument is set to first calculate the f.m. deviation required from AB3. This calculated deviation has to take into account the fact that if AB2 has to be set to

divide the frequency from AB3 then it will also divide the f.m. deviation. The frequency multiplier in 2019 that generates the 520 to 1040 MHz band doubles the f.m. deviation and the b.f.o. band of 0.08 - 2.03125 MHz is generated from 10 to 12 MHz. From this deviation, called the fundamental deviation, the control data required is as shown in Table 15 below.

TABLE 15 RANGE CONTROL DATA AB2

Fundamental deviation (kHz)	Data sent to A6L6 IC9 of AB2							
	D7	D6	D5	D4	D3	D2	D1	D0
1280 - 5200	*	*	*	*	*	1	1	1
320 - 1280	*	*	*	*	*	0	1	1
80 - 320	*	*	*	*	*	0	0	1
0 - 80	*	*	*	*	*	0	0	0

Note * indicates a "don't care" state.

82. Test data AB2.

TR1 collector Approximately 0 dBm at fundamental frequency.

TR2 emitter For output freq. >260 MHz signal level -14 dBm.
For output freq. <260 MHz signal level 0 dBm with some sub-harmonics present.

IC1, pin 7 For output freq. >130 MHz signal level less than -20 dBm.
For output freq. <130 MHz signal level 0 dBm covering octave 130 MHz to 260 MHz. Some sub-harmonics present.

TR8 base For output freq. <130 MHz signals are at -15 dBm.
For output freq. 130 to 260 MHz signal -5 dBm.
For output freq. >260 MHz only low level signals.

PLCJ, pin 2 With carrier frequency 520 MHz, f.m. deviation 5.2 MHz at 1 kHz rate. Audio signal typically 8 V p-p.
As above at 2.6 MHz deviation audio signal 4 V p-p.
As above at 1.2 MHz deviation audio signal 7.7 V p-p.

AB3 : RF oscillators

83. Faults on AB3 which result in one or more of the oscillators not operating can generally be found by first identifying which oscillator is at fault and then checking the d.c. bias conditions of the active and off oscillators. If the active device is not at fault it will be necessary to check or replace each element of the tuned circuit.

84. Residual f.m. problems are generally more difficult to find. There are many possible causes but the most likely ones are noisy varactors, noisy transistors or intermittent capacitors. The decoupling capacitors C9, C10, C25, C26 can cause residual f.m. problems even when the oscillator to which they are connected is not on. This is because they cause an additional coupling diode,

D3, D4, D10 or D11 to be partially turned on.

85. Microphony can be caused if the inductors L1, L2, L5, L6, L7, L8, L11, L12 are not securely varnished to the printed circuit board.

86. Test data AB3

SKDL (Output from pin 1). Output level varies from approximately -3 dBm to 2 dBm according to fundamental frequency selected. Frequency is that of the fundamental octave.

C112 (Input from pin 1). Between 3 V and 15 V according to the frequency selected.

TR6 base Approximately 6 dBm varying with fundamental octave frequency.

TR11 collector Approximately -3 dBm. May have significant levels of harmonics present.

87. The following data applies with a carrier frequency of 520 MHz set:

TR2 collector 11.5 V d.c.

TR4 collector 11.5 V d.c.

TR7 collector 11.5 V d.c.

TR9 collector 8.5 V d.c.

88. Realignment data AB3. Each of the 4 oscillators incorporates a sliding link on its tuning inductor which may be used to set up the oscillator. During adjustment the heat of the soldering iron used to move the link will cause some reaction from the oscillator frequency. Excessive heating should be avoided in order to avoid long settling times.

(1) On oscillator 1, adjust the sliding link such that at an output frequency of 260.00001 MHz, the voltage on tag 2, is nominally 3.6 V without the lid of the oscillator on.

(2) On oscillator 2, adjust the sliding link such that at an output frequency of 309.00001 MHz, the voltage on tag 2, is nominally 3.3 V without the lid of the oscillator on.

(3) On oscillator 3, adjust the sliding link such that at an output frequency of 368.00001 MHz, the voltage on tag 2, is nominally 3.3 V without the lid of the oscillator on.

(4) On oscillator 4, adjust the sliding link such that at an output frequency of 437.00001 MHz, the voltage on tag 2, is nominally 3.3 V without the lid of the oscillator on.

AB4 : Output phase detector

89. Digital faults on AB4 are generally easy to find using the test data provided. If necessary the mini-jump linking TP6,7 can be removed and a voltage applied to TP7 to control the oscillators on AB3, but most faults can be found without using this method. Faults in the digital part of the phase comparator are also relatively easy to find.
90. If the fault is in the analogue part of the phase detector first check all the d.c. voltages given in the test data. If the fault has not been located, remove the mini-jump and connect 0 V to TP7. IC5, pin 8 should produce pulses which will pull TP7 to 18 V. Check that this happens. If it does not, the fault is in the current pulse generator (TR12 to TR23) part of the phase detector. Repeat the test while applying 15 V to TP7. IC5, pin 6 should generate pulses which pull TP6 down to -8 V.
91. Diagnosing which transistor in the current pulse generator is at fault can be time consuming and as a result, it is often quicker to replace all the transistors.
92. If the phase locked loop sets the output frequency to approximately the correct value but the frequency is unstable, check that the p.l.l. filter control lines are working. If the fault cannot be found, replace the components in the loop filter. If TR6 develops a drain to source short circuit it may result in TR25 developing excessive input leakage current (because of impact ionization) and cause excessive phase detector breakthrough on the output carrier signal.
93. Control data AB4. The control data for AB4 is latched on the micro-processor board AA2. The latch address is A6L5. It should be noted that the latch address A6L5 also controls the frequency standard on AA3.

<i>PLBY Pin No.</i>	<i>Line</i>	<i>Data</i>
3	LD0	High for fundamental frequencies of 260.00001 to 309 MHz.
12	LD1	High for fundamental frequencies of 309.00001 to 368 MHz.
4	LD2	High for fundamental frequencies of 368.00001 to 437 MHz.
11	LD3	High for fundamental frequencies of 437.00001 to 520 MHz.
5	LD5	High if f.m. is not on.

If data to latch A6L5 is being sent under second function control ensure that the data sent on D4 and D6 is also correct (see AA3).

94. Test data AB4

- IC1, pin 8 TTL signal. Approx. 50 kHz square wave.
- IC4, pin 8 TTL signal. FM OFF. Approx. 50 kHz square wave.
FM ON. Approx. 10 kHz signal.
- IC4, pin 6 TTL signal. If output loop is locked then with f.m. off p.r.f. is approx. 50 kHz, and with the f.m. on it is 10 kHz.
- IC5, pin 9 TTL signal. Normally high with a 50 ns low pulse at p.r.f. of approx. 50 kHz (FM OFF) or 10 kHz (FM ON). If the loop is out of lock and the oscillator (AB3) frequency is low, wider pulses should be produced to increase the oscillator frequency.
- IC5, pin 6 TTL signal. Normally low with a 50 ns high pulse at a p.r.f. of 50 kHz (FM OFF) or 10 kHz (FM ON). If the loop is out of lock and the oscillator frequency is high, wider pulses will be produced to decrease the oscillator frequency.
- TR10 collector With FM ON : 0 V.
FM OFF : -11.2 V.
- TR9 collector With FM OFF : 0 V.
FM ON : -11.2 V.
- TP1 DC level approx. 17.5 V. When locked and the f.m. is off it has a 1 V positive pulse 50 ns wide. With the f.m. on the pulse should disappear.
- TP2 DC level approx. -8 V. When locked and the f.m. is off it has a 0.7 V negative pulse 50 ns wide. No pulse when f.m. is on.
- TP3 DC level approx. 17.5 V. When locked it has a 1 V positive pulse 50 ns wide with a p.r.f. of 50 kHz with the f.m. off and 10 kHz with the f.m. on.
- TP4 DC level approx. -8 V. When locked it has a 0.7 V negative pulse 50 ns wide with a p.r.f. of 50 kHz with the f.m. off and 10 kHz with the f.m. on.
- TP6,7 Mini-jump may be removed to control the oscillators on AB3 directly by applying a variable d.c. voltage to TP7.

AB5 : Voltage controlled crystal oscillator (v.c.x.o.) loop

95. AB5 contains the complete v.c.x.o. phase locked loop. There is a potential latch up condition which can occur only under fault conditions, whereby the phase locked loop can lock to a frequency less than 10 MHz. To avoid any possible confusion it is often easier to fault find with the mini-jump linking TP2,3 removed and the v.c.x.o. frequency controlled by a voltage applied to TP3. With link fitted and a carrier frequency of 520 MHz selected, the voltage at TP4 should be <2.3 V and >1.4 V, if not select L2 to obtain this.

96. An unusual fault can be caused if the capacitor C19 is open circuit. The spurious pick-up on pin 7, IC5, can cause multiple transitions on the output of IC6a and result in erratic failure to lock. This fault can be diagnosed by checking the output from IC6a for spurious edges on pulse transitions.

97. Test data AB5.

- TR1 collector Distorted 3 V p-p signal. When phase locked frequency is between approx. 10.002 and 10.008 MHz (v.c.x.o. freq.).
- TP1 TTL signal. VCXO frequency.
- TR8 collector Distorted signal at v.c.x.o. frequency 1 V p-p.
- IC2, pin 1 10 MHz sine wave 0.6 V p-p. Some spurious a.m. from the v.c.x.o. frequency.
- IC2, pin 6 DC level 9 V. Audio signal approximately 1.5 V p-p. Frequency (when locked) of approx. 2 to 8 kHz.
- IC5, pin 3 Audio signal about ground. Approx. 1.5 V p-p.
- IC5, pin 7 Square wave signal 5 V p-p. TTL compatible, freq. approx. 2 to 8 kHz.
- IC4, pin 3 TTL signal. Freq. of 2 to 8 kHz.
- IC4, pin 11 TTL signal. Freq. 2 to 8 kHz if v.c.x.o. is locked.
- IC4, pin 8 TTL signal. Normally low with a 60 ns positive pulse. If the v.c.x.o. frequency is too low it produces wider pulses to pull the v.c.x.o. frequency lower.
- IC4, pin 5 TTL signal. Normally high with a negative 60 ns pulse. If the v.c.x.o. frequency is too high it produces wider pulses to pull the v.c.x.o. frequency higher.
- TP4 With carrier frequency set to 520 MHz (v.c.x.o. approx. 10.002 MHz) d.c. level 3.6 V.
With carrier frequency set to 260.09999 MHz (v.c.x.o. approx. 10.008 MHz) d.c. level 10 V.
- TP2,3 Mini-jump may be removed and an external d.c. voltage applied to TP3 to control the v.c.x.o. frequency.

AC2 : Beat frequency oscillator (BFO) system

98. Test data AC2. The following data applies at a carrier output frequency of 2 MHz.

PLCU, pin 2	10 MHz square wave 0.6 V p-p.
TR1 collector	10 MHz square wave 0.6 V p-p.
PLCV, pin 1	12 MHz sine wave 90 mV p-p.
TR2 collector	Very distorted signal approx. 80 mV p-p.
L4,L5 junction	-20 dBm 2 MHz signal and 2 V d.c.
PLCW, pin 3	4 V d.c.
PLCW, pin 1	-20 dBm at 2 MHz.

99. The following data applies at an output frequency of 10 MHz.

PLCU, pin 2	0 V.
L4,5 junction	No signal.
PLCW, pin 3	+0.05 V d.c. RF signal level -15 dBm.
PLCW, pin 1	RF signal -15 dBm.

AC3/13 : Filter and frequency doubler

100. Faults in the filter sections of AC3 or AC13 will usually result in the signal faults occurring over specific half octaves of frequency cover. The half octaves involved will usually give some idea of where the fault is. If the error occurs only at frequencies greater than 32.5 MHz, check the d.c. voltages at the output of IC4 against the test data. These d.c. voltages control the diodes that switch the filters. Faults in the frequency doubler section of AC13 (2019 only) can be difficult to trace because of the high frequencies involved. The recommended procedure is to first establish that the active stages are working (TR4, TR5, TR6). Check that the filter control outputs from IC7 are correct. If the fault is diagnosed as being in the filter circuits it may be necessary to replace the components one at a time, in order to find the fault.

101. Control data AC3/13

TABLE 16 IC2 CONTROL DATA AC3/13

Output frequency (MHz)	Data sent to A7L4 IC2 of AC3/13							
	D7	D6	D5	D4	D3	D2	D1	D0
520.00002 - 1040	1	1	1	1	1	1	1	1
260.00001 - 520	0	1	1	1	1	1	1	1
130.00001 - 260	1	0	1	1	1	1	1	1
65.00001 - 130	1	1	0	1	1	1	1	1
32.50001 - 65	1	1	1	0	1	1	1	1
16.25001 - 32.5	1	1	1	1	0	1	1	1
8.12501 - 16.25	1	1	1	1	1	0	1	1
4.06251 - 8.125	1	1	1	1	1	1	0	1
2.03126 - 4.0625	1	1	1	1	1	1	1	0
0.08 - 2.03125	1	1	1	1	1	0	1	1

Data line

Data sent to A7L5 IC3 of AC3/13

- D4 High for frequencies less than or equal to 520 MHz (2019 only).
- D3 High for frequencies of 2.03126 to 1040 MHz.
- D2 High for frequencies of 16.25001 to 23 MHz and for frequencies of 260.00001 to 368 MHz, and for frequencies of 32.50001 to 130 MHz, (Program versions 012 and later).
- D1 High for frequencies of 260.00001 to 1040 MHz, 16.25001 to 32.5 MHz and fundamental frequencies of 368.00001 to 520 MHz.
- D0 High for frequencies of 0.08 MHz to 32.5 MHz.

Note : Fundamental frequency is defined as the output frequency from AB3.

TABLE 17 IC6 CONTROL DATA AC13

Output frequency (MHz)	Data sent to A7L6 IC6 of AC13							
	D7	D6	D5	D4	D3	D2	D1	D0
520.00002 - 660	*	*	*	*	1	0	1	0
660.00002 - 820	*	*	*	*	1	0	0	1
820.00002 - 1040	*	*	*	*	0	1	1	1

Note : * indicates a "don't care" condition.

102. Test data AC3/13. The following data applies to conditions where the output frequency has been set to be >32.5 MHz. Measurements have been taken with a carrier frequency of 100 MHz unless otherwise stated. RF levels quoted are with the output level set to 7 dBm unless otherwise noted.

TR1 base RF level -15 dBm, nominal square wave.
TR2 collector RF level -2 dBm.
D24 cathode RF level -4 dBm.
SKCS RF level -5 dBm.

103. Table 18 gives a list of the expected output voltages on the open collector outputs of IC4.

TABLE 18 DC VOLTAGES ON IC4 OUTPUTS AC3/13

Carrier frequency	IC4 pin numbers				
	2	4	12	10	8
1040 MHz	15	15	15	15	0.13
520 MHz	0.15	4.81	6.87	9.16	11.67
260 MHz	15	0.15	5.18	7.76	10.79
130 MHz	15	15	0.15	5.97	9.53
65 MHz	15	15	15	0.15	7.77

104. The following data applies to conditions where the output frequency has been set to <32.5 MHz. Measurements generally refer to a carrier of 10 MHz unless otherwise stated.

TR3 collector RF level -14 dBm.
PLCT RF level -15 dBm.

105. The following data applies to AC13 (2019) only.

C110 Carrier 530 MHz -5 dBm, sub-harmonic -24 dB.
Carrier 1040 MHz -3 dBm, sub-harmonic -10 dB.
TR5 collector Carrier 530 MHz 3 dBm, sub-harmonic -27 dB.
Carrier 1040 MHz 0 dBm, sub-harmonic -7 dB.
TR6 base Carrier 530 MHz -8 dBm, sub-harmonic -40 dB.
Carrier 1040 MHz -9 dBm, sub-harmonic -33 dB.

106. Realignment procedure. Connect an r.f. signal source to PLDF, level -11 dBm.

LF Channel :

Monitor output from PLCT (providing a 200 Ω load impedance). Select each of the low-pass filters in turn by keying-in the SET FREQ on the 2018/19 keyboard, and check the PASS BAND ripple and relative attenuation at the 2*f (min) FREQ.

Nominal output level : 40 mV (r.m.s. p.d.) into 200 Ω *
 PASS BAND ripple : not greater than 4 dB
 2*f (min) level : Better than -18 dBc for 32.5 - 4.0625 MHz,
 better than -15 dBc for 4.0625-2.03126 MHz.

TABLE 19 LF LOW-PASS FILTER ALIGNMENT (1-32 MHz)

SET FREQ MHz	PASS BAND MHz	2*f (min) FREQ MHz
32	23 - 32.5	46
23	16.25 - 23	32.5
16	11.5 - 16.25	23
11	8.125 - 11.5	16.25
8	5.75 - 8.125	11.5
5	4.0625 - 5.75	8.125
4	2.875 - 4.0625	5.75
2.8	2.03126 - 2.875	4.0625

Monitor the output from PLCR pin 1 (200 Ω load impedance) to check the output to the b.f.o. board. Same conditions as above.

SET FREQ MHz	PASS BAND MHz	2*f (min) FREQ MHz
2	11.5 - 12.03125 MHz	23
1	10.08 - 11.5	20

*NOTE : If 200 Ω load is made up by including a 150 Ω resistor in series with the 50 Ω input of the measuring instrument a 12 dB insertion loss will be introduced. This will result in a level of 10 mV across 50 Ω , or -27 dBm.

HF Channel :

107. Monitor output from SKCS (load impedance 50 Ω). Tests similar to those for the LF Channel are performed, but the HF Channel filters need to be individually adjusted to meet the following conditions :

Nominal output level : -6 dBm ;
 PASS BAND ripple : not greater than 4 dB
 2*f (min) level : better than -20 dBc.

(1) To trim the 520 and 368 MHz low-pass filters, unsolder sliders on printed coils and re-position as required. (There is no need to switch off the power supplies.) Moving the sliders towards the filter capacitors will reduce the inductance and so raise band edge frequency. Providing the PASS BAND ripple and 2*f (min) level are correct the actual band edge frequency is unimportant.

(2) To trim the "turret" low-pass filters, start with the ferrite slugs flush with the turret tops. Wind the slug in the lower numbered coil downwards until the filter band edge drops by 1 dB; then unwind 1 full turn. Repeat this operation for the second coil. Finally check the

conditions above and make further minor adjustments as necessary.

TABLE 20 HF LOW-PASS FILTER ALIGNMENT (46-520 MHz)

SET FREQ MHz	PASS BAND MHz	2*f (min) FREQ MHz
520	260 - 520	736 **
368	260 - 368	520
260	184 - 260	368
184	130 - 184	260
130	92 - 130	184
92	65 - 92	130
65	46 - 65	92
46	32.5 - 46	65


** NOTE : 520 MHz low-pass filter is checked down to 260 MHz (rather than 368 MHz) to ensure correct operation of frequency doubler (2019 only).

108. Frequency doubler. Monitor the output from SKCS. Select the three SET FREQ points in turn and check the level of "doubled" signal, its sub-harmonics and harmonics (up to about 1.2 GHz) across the appropriate INPUT FREQ range. The following conditions should be met for the "doubled" signal:

Nominal output level : -6 dBm (± 3 dB)
Level of sub-harmonics/harmonics : Better than -35 dBc.

TABLE 21 FREQUENCY DOUBLER AC13

SET FREQ MHz	INPUT FREQ RANGE MHz	OUTPUT FREQ RANGE MHz
660	260 - 330	520 - 660
820	330 - 410	660 - 820
1040	410 - 520	820 - 1040

AC4 : Output amplifier 

109. If, for any reason, it is necessary to remove the board AC4 from the instrument take care not to damage the integral Beryllium Oxide washer in TR10. The device is robust but it should be protected from accidental damage. If it is necessary to remove the heat sink from the stud, ensure that the nut is not overtightened. A tightening torque of 0.8 Nm is recommended by the manufacturer. See Notes and Cautions re the disposal of defective devices.

110. Control data AC4

Address IC No. Data lines

A7L1 4 DO-D7

Data sent

Insertion loss control data. Binary number of between 0 and 255 provides fine control level, 255 gives minimum level and 0 gives maximum level. Data to be sent is calculated by the microprocessor from the data entered to compensate for insertion loss.

Address	IC No.	Data lines	Data sent
A7L2	6	D0-D7	The 8 l.s.b's of a 10 bit number used to control the r.f. output level from AC4. The 10 bit number is a number between 0 and 1000 which can control the output level with a 1 mV p.d. resolution. The number IC6 is set to is not updated until the m.s.b. is sent on A7L3.
A7L3	6 2 2	D0-D1 D6 D7	The m.s.b's of the number sent to A7L2. High for frequencies of 32.50001 to 1040 MHz. High for frequencies of 32.5 MHz or less.

111. Test data AC4. All test data results are with the a.m. off unless otherwise stated.

IC3, pin 1	+2 V d.c. If 99% a.m. is set an audio signal should be present whose negative peaks almost reach 0 V.
IC3, pin 7	DC voltage typically -1.5 V at 10 MHz, -1.2 V at 520 MHz, -0.66 V at 1040 MHz. DC level at intermediate carrier frequencies is linearly interpolated between these voltages.
IC3, pin 8	DC voltage typically -2.9 V at 10 MHz, 13.4 V at 520 MHz, -4.1 V at 1040 MHz.
IC3, pin 14	DC voltage at 520 MHz carrier typically 1.69 V at 7 dBm, 3.37 V at 13 dBm, 0.546 V at -2.9 dBm.
IC1, pin 8	DC voltage at 520 MHz carrier typically 1.61 V at 7 dBm, 3.28 V at 13 dBm, 0.471 at -2.9 dBm.
IC2, pin 9	Logic high for carriers >32.5 MHz.
IC2, pin 5	Logic high for carriers <32.5 MHz.
TP2	ALC voltage. Will be between 0 V and -8 V if the a.l.c. system is operating.

AC5 : Amplitude modulator

112. If, during the course of fault finding on AC5, it is necessary to remove or replace X2 ensure that when it is replaced the metal case is soldered to the printed board in the same way as originally manufactured. Failure to do so will result in poor a.m. performance.

113. Control data AC5

<i>Latch Address</i>	<i>IC No.</i>	<i>Data Lines</i>	<i>Data sent</i>
A7L0	4	D0-D6	7 bit binary number between 0 and 99 corresponding to the modulation depth set in %.
	2	D7	Single bit instruction that is set high for r.f. levels of 7.1 dBm or greater. In this mode the a.m. is set off and the mod. depth is set to 0%.

114. Test data AC5

IC4, pin 4	With a.m. on typically 6.5 V p-p audio.
IC3, pin 6	With a.m. set to 99% audio signal 5 V p-p decreasing linearly with reducing a.m. depth.
TR3 collector	-0.2 V for r.f. levels <7 dBm, -15 V for r.f. levels >7 dBm.
X1, pin 1	RF signal -6 dBm square wave.
X2, pin 5	RF signal 0 dBm square wave.
X2, pin 1	RF signal -18 dBm square wave.
TR1 collector	RF signal -12 dBm square wave.

AD11: Display

115. The l.c.d. units are driven by square waves which are either in phase or out of phase in order to avoid generating any d.c. component across the display. In order to fault find on parts of the circuit where the drive waveform has been converted to a square wave use a dual channel oscilloscope. Connect one input to the backplane drive on pin 1 or pin 80 of the carrier frequency display X1. Connect the second input to the point being tested and then observe the second input square wave is in phase or out of phase with the backplane drive. An in phase signal will result in a clear segment and an out of phase signal will result in a dark segment. The maintenance kit contains information on the use of the l.c.d. insertion and extraction tools.

116. Control data AD11

TABLE 22 CONTROL DATA AD11

Address	Data Lines	IC No.	Data sent
A5L0	D4-D7	4	Frequency display m.s.d.
	D0-D3	5	Frequency display second m.s.d.
A5L1	D4-D7	6	Frequency display third m.s.d.
	D0-D3	7	Frequency display fourth m.s.d.
A5L2	D4-D7	8	Frequency display fifth m.s.d.
	D0-D3	9	Frequency display sixth m.s.d.
A5L3	D4-D7	10	Frequency display seventh m.s.d.
	D0-D3	11	Frequency display 1.s.d.
A5L4	D0-D3	21	Modulation display m.s.d.
A5L5	D4-D7	22	Modulation display second m.s.d.
	D0-D3	23	Modulation display 1.s.d.
A5L6	D4	27	RF level display m.s.d.
	D0-D3	29	RF level display second m.s.d.
A5L7	D4-D7	30	RF level display third m.s.d.
	D0-D3	31	RF level display 1.s.d.
A5L8	D0-D2	14 & 18	Frequency display decimal point. Lines decoded as 1 out of 8. A 0 gives a decimal point to the right of the m.s.d. and this moves to the right with increasing decoded output. An output of 7 gives no decimal point.
	D3-D4	26	Modulation display decimal point. Lines decoded as 1 out of 4. An output of 0 gives a decimal point to the right of m.s.d. and this moves to the right with increasing decoded output. An output of 3 gives no decimal point.
	D5-D6	27	RF level display decimal point. Lines decoded as 1 out of 4. An output of 0 gives a decimal point to the right of the m.s.d. and this moves right with increasing output. An output of 3 gives no decimal points.
A5L9	D0	3	Frequency display REMOTE annunciator.
	D1	3	Frequency display ADDR annunciator.
	D2	3	Frequency display LIMIT.
	D3	3	Frequency display MHz.
	D4	12	Frequency display kHz.
	D5	12	Frequency display Hz.
	D6	12	Frequency display EXT STD.
	D7	12	Modulation display OFF.

TABLE 22 CONTROL DATA AD11 (contd.)

Address	Data Lines	IC No.	Data sent
A5L10	D0	20	Modulation display EXT.
	D1	20	Modulation display LIMIT.
	D2	20	Modulation display AM.
	D3	20	Modulation display FM.
	D4	24	Modulation display %.
	D5	24	Modulation display MHz.
	D6	24	Modulation display kHz.
	D7	24	Modulation display Hz.
A5L11	D0	28	RF level display OFF.
	D1	28	RF level display REV PWR.
	D2	28	RF level display LIMIT.
	D3	28	RF level display - (minus sign).
	D4	32	RF level display + (vertical bar of + sign).
	D5	32	RF level display dBm.
	D6	32	RF level display dB.
	D7	32	RF level display V.
A5L12	D0	33	RF level display mV.
	D1	33	RF level display μ V.
	D2	33	RF level display e.m.f.
	D3	33	RF level display p.d.

AD2 : Motherboard

117. Control data AD2. The data to control the 10 dB step attenuator and the RPP is latched on AD2 by IC1 address A6L10. The 10 dB step attenuator control data is as in Table 23 below.

TABLE 23 10 dB STEP ATTENUATOR CONTROL DATA AD2

Required attenuation dB	Data sent					
	D5	D4	D3	D2	D1	D0
0	1	1	1	1	1	1
10	1	1	1	1	0	1
20	1	1	1	0	1	1
30	1	1	1	0	0	1
40	0	1	1	1	0	1
50	0	1	1	0	1	1
60	0	1	1	0	0	1
70	0	1	0	1	0	1
80	0	1	0	0	1	1
90	0	1	0	0	0	1
100	0	0	0	1	0	1
110	0	0	0	0	1	1
120	0	0	0	0	0	1

If the RPP is tripped it can reset by sending a logic 0 on A6L10 D0 followed by a logic 1 on the same address. Sending a logic 0 on A6L10 D0 will cause the RPP reed relay to go open circuit.

AD3 : Modulation oscillator and f.m. control

118. Control data AD3. The latch A6L15 controls the modulation oscillator and the type of modulation being used. The data sent to A6L15 is as follows:

TABLE 24 MOD OSC CONTROL DATA AD3

MOD OSC FREQ Hz	Data on D0-D3			
	D3	D2	D1	D0
300	0	0	0	0
400	0	0	0	1
1000	0	0	1	0
3000	0	0	1	1
6000	1	1	0	0
OFF	1	0	0	0

- D4 High for internal modulation
- D5 High if f.m. is on
- D6 High if the mod. a.l.c. is on
- D7 High if a.m. is on

119. The latches A6L14, A6L12 and A6L13 control the f.m. deviation. The data sent is calculated by first determining the deviation required of the oscillators on AB3 after allowing for division by AB2 and frequency translation by the b.f.o. band. This deviation is referred to as the fundamental deviation. The data sent to A6L14 is given in Table 25 below.

TABLE 25 FM DEVIATION CONTROL DATA AD3

Fundamental deviation kHz	Data sent to A6L14 IC17 of AD3									Multiplier
	D7	D6	D5	D4	D3	D2	D1	D0		
5120 - 5200	1	1	1	1	1	1	1	1	0.1	
5120 - 2560	1	0	0	0	0	0	0	0	0.2	
2560 - 1280	0	1	0	0	0	0	0	0	0.4	
1280 - 640	1	0	0	0	0	0	0	0	0.8	
640 - 320	0	1	0	0	0	0	0	0	1.6	
320 - 160	1	0	0	0	0	0	0	0	3.2	
160 - 80	0	1	0	0	0	0	0	0	6.4	
80 - 40	1	0	0	0	0	0	0	0	12.8	
40 - 20	0	1	0	0	0	0	0	0	25.6	
20 - 10	0	0	1	0	0	0	0	0	51.2	
0 - 10	0	0	0	1	0	0	0	0	102.4	

120. The multiplier shown in the right-hand column above is used to derive the data sent to A6L12 and A6L13. If the multiplier is multiplied by the fundamental deviation in kHz the resulting number is between 0 and 1023 and can be expressed as a 10 bit binary number. This number is sent as 2 bytes. The eight least significant digits are sent to A6L12 followed by the two most significant digits to A6L13 on D0 and D1. The setting of the 10 bit D-A receiving this data, IC15, is only updated when the most significant bit is sent. The data sent to A6L11 is an 8 bit number, usually between binary 80 and 200, which is calculated from information stored in the EAROM store. Is is instrument dependent and therefore has no unique values.

121. Test data AD3

D4 anode -7.5 V d.c.

IC1, pin 1 Audio signal at modulation frequency set 3.2 V p-p.

IC1, pin 7 Audio signal 3.2 V p-p.

IC7, pin 14 INT MOD 3.2 V p-p audio.
EXT MOD, audio signal corresponding to the external modulation input.

IC10, pin 1 INT MOD, no signal.
EXT MOD, signal corresponding to external modulation input.

IC10, pin 7 INT MOD, 3.2 V p-p audio signal at mod. osc. frequency.
EXT MOD, audio signal equal to the ext. mod. input.

IC6, pin 1 Audio signal 900 mV p-p. If EXT MOD is set its level should be independent of input level for input levels of 800 mV to 1.2 V r.m.s.

IC8, pin 7 6 V p-p audio signal.

D2 anode -2.6 V d.c.

IC8, pin 1 DC voltage between 0 V and -8 V. Typically -5 V on INT MOD.

122. All the following data assumes INT MOD is selected.

IC9, pin 1 With FM ON 12 V p-p audio, FM OFF - no signal.

IC9, pin 7 With AM ON - typically 6.7 V p-p, AM OFF - no signal.

IC12, pin 6 FM ON, carrier 520 MHz (typically) 5 V p-p audio.
FM ON, carrier 260.1 MHz (typically) 7.4 V p-p audio.

IC16, pin 6 FM ON, carrier 520 MHz, f.m. deviation 9.9 kHz typically 4.9 V p-p audio.
FM ON, carrier 520 MHz, f.m. deviation 5.2 MHz typically 2.5 V p-p audio.

IC19, pin 6 FM ON, carrier 520 MHz, f.m. deviation 5.2 MHz typically 9.8 V p-p audio.

AT0 and AT1 : 10 dB step attenuator

123. Except for simple faults which do not affect the main r.f. path on AT1, it is not recommended that repairs are attempted on AT1 unless very accurate attenuator measuring equipment is available. It is generally not advisable to attempt to remove the r.f. cover over AT1, but if the cover is removed do not attempt to adjust or remove AT1 since to do so can alter the calibration of the pads. If it is established that one of the micro-switches required adjustment this can be accomplished by the following procedure:

- (1) Adjust the large nylon nut so that the armature of the solenoid pulls in when between 13.5 V and 15 V d.c. is applied to the coil. The d.c. must be applied with SKLP disconnected from AT2.
- (2) Energize all the solenoids except the one being adjusted.
- (3) Connect a short circuit across SKAZ and an ohmmeter across SKBA. As the armature is manually closed a change of resistance should be observed when the micro-switch nearest SKBA operates. Adjust the corresponding adjustment screw so the switch operates at mid-travel.
- (4) Repeat (3) with the short circuit across SKBA and the meter across SKAZ for the other micro-switch of the pad being adjusted.
- (5) Lock the adjustment nut and screws with locking varnish.

AT2 : Attenuator control

124. Test data AT2

IC4, pin 8	TTL level. Normally low but on pressing the r.f. level key goes high for 40 ms.
TR3 collector	Normally unregulated 10 V. Goes to unregulated 25 V for 40 ms when r.f. level key is pressed.
IC3, pin 8	TTL level. Low except when attempting to reset the RPP.
IC3, pin 2	TTL level. Low unless reverse power has been applied.
IC3, pin 13	TTL level. Low unless RPP has been tripped.

TABLE 26 VOLTAGES ON PLP, AT2

RF LEVEL	PLP pin numbers					
	1	3	4	5	6	7
0 dBm	10 V	0 V	0 V	0 V	0 V	0 V
-10 dBm	10 V	0 V	0 V	0 V	0 V	10 V
-20 dBm	10 V	0 V	0 V	0 V	10 V	0 V
-30 dBm	10 V	0 V	0 V	0 V	10 V	10 V
-40 dBm	10 V	10 V	0 V	0 V	0 V	10 V
-50 dBm	10 V	10 V	0 V	0 V	10 V	0 V
-60 dBm	10 V	10 V	0 V	0 V	10 V	10 V
-70 dBm	10 V	10 V	0 V	10 V	0 V	10 V
-80 dBm	10 V	10 V	0 V	10 V	10 V	0 V
-90 dBm	10 V	10 V	0 V	10 V	10 V	10 V
-100 dBm	10 V	10 V	10 V	10 V	0 V	10 V
-110 dBm	10 V	10 V	10 V	10 V	10 V	0 V
-120 dBm	10 V	10 V	10 V	10 V	10 V	10 V

Where the above table shows a voltage of 10 V this is taken as being the nominal unregulated voltage that appears on pin 1. Where 0 V is shown there will be a small positive voltage, not exceeding 0.4 V, due to the saturation voltage of the driver IC2 on AD2.

INSTRUMENT CALIBRATION

EAROM initialization

125. If the EAROM store on AA2 Microprocessor board has been replaced or erased, it is first necessary to set the EAROM to sensible stored values. After unlocking the second functions use Second Function 9 to enter and store 0 if the instrument is a 2018 and a 1 if the instrument is a 2019. Then enter the required r.f. level units into Second Function 5 and set the GPIB address (if fitted). Then enter valid instrument settings into the instrument stores labelled 10 to 19. If it is required to check that the f.m. system is functioning, enter valid f.m. tracking numbers into the f.m. tracking points at the carrier frequency of interest. On completion select Second Function '0' (decimal point) to re-calculate and store the amended EAROM check sum data.

Internal frequency standard

126. Using a frequency counter operated from a high accuracy frequency standard monitor the frequency standard output from the rear panel socket. The frequency standard may be adjusted without removing the external covers of the instrument by adjusting R1 on AA/B0. Access to R1 is gained using a small screwdriver inserted through the group of vents on the right-hand side of the instrument at the top front corner. R1 is located in line with the vent that is second from the rear of that group of vents.

RF level

127. Calibration of the output r.f. level requires the access to second function operations. An accurate power meter is required to set up the r.f. level calibration. The 10 dB step attenuator contributes significantly to level errors for outputs below -3.0 dBm. Specialized equipment is required to set up the attenuator and is not covered in detail in this procedure. The following procedure is used to set up the r.f. level at levels greater than -3.1 dBm. If the recalibration is required only on a routine basis (i.e. there has been no major fault in the level control system) steps (2) and (3) may be omitted if the difference in r.f. level between 7 dBm and -2.9 dBm is $9.9 \text{ dB} \pm 0.15 \text{ dB}$.

- (1) Enter SECOND FUNCT "0" and overcome the second degree protection by carrying out the Second level operation unlocking procedure. Details of this procedure are given in Chap. 4, page 38.
- (2) Set the carrier to 10 MHz and enter SECOND FUNCT "7". Enter the number 050 on the keypad followed by the STORE key. Repeat this procedure at 520 MHz and 1040 MHz (only if it is a 2019) and entering the numbers 100 and 170 respectively.
- (3) Set the carrier to 10 MHz and the level to 7 dBm. Adjust R86 on AC4 for an output of 7 dBm measured on a power meter at the r.f. output connector. Set the output level to -2.9 dBm. Adjust R89 on AC4 to obtain the correct output level. Repeat steps 2 and 3 until levels are correct to within 0.1 dB.
- (4) The output level can now be accurately set up from the front panel alone by adjusting the calibration at 3 carrier frequencies using the second function operation. Set the carrier to 10 MHz and the level to 7 dBm. Enter SECOND FUNCT "7". The output level may be adjusted by entering a 3 digit number between 000 and 255 followed by the STORE key.

Note...

Do not exceed the number entered at 520 MHz - in this case 100.

Increasing the number entered will increase the output level. When a satisfactory entry is obtained this procedure is repeated at a carrier frequency of 520 MHz. In this case the number entered should not be less than that stored at 10 MHz and should not be more than that stored at 1040 MHz. After completing the entry at 520 MHz repeat the same procedure at 1040 MHz if the instrument is a 2019. The number entered should not be less than that entered at 520 MHz.

- (5) Check the r.f. level accuracy at 7 dBm and -2.9 dBm is better than $\pm 0.4 \text{ dB}$ from 10 MHz to 520 MHz, and better than 0.8 dB from 520 MHz to 1040 MHz. On 2019, if necessary, the calibration number at 1040 MHz can be adjusted to give the best average accuracy from 520 MHz to 1040 MHz.
- (6) On completion of step (5) select SECOND FUNCT '.' to recalculate and store the amended EAROM check sum data.
- (7) Relock the second function by entering SECOND FUNCT "0".
- (8) After calibrating the r.f. level it is advisable to check the a.m. calibration.

AM calibration

128. An accurate modulation meter and a distortion meter are required to calibrate the a.m.

- (1) Set R23 on AC5 (PRE-MOD) fully clockwise.
- (2) Set the instrument to give 0 dBm at 100 MHz with the a.m. set to internal modulation at 1 kHz rate and 80% depth. Adjust R30 on AD3 to give 80% modulation depth as measured by the modulation meter.
- (3) Adjust R23 on AC5 to give minimum a.m. distortion. Recheck step (2).
- (4) Set the carrier frequency to 400 MHz and check that the a.m. distortion and level accuracy is within specification.
- (5) Monitor pin 14 of IC3 on AC4 with a d.c. coupled oscilloscope. Set the modulation depth to 99%. Switch the a.m. off temporarily and note the d.c. voltage level observed on the oscilloscope. Switch the a.m. back on and adjust R77 on AC4 such that the negative tips of the sine wave on pin 14 of IC3 come to a voltage, with respect to ground, of 1% of that noted previously.
- (6) Set the instrument to give 80% depth at 300 Hz rate internal modulation. Adjust R95 on AC4 to give the minimum ripple at the modulation frequency on IC1, pin 1 on AC4 (TP2).

FM calibration

129. An accurate modulation meter is required to calibrate the f.m. Calibration adjustments can take one of two forms. If the f.m. is out of calibration at all carrier frequencies and deviations by a consistent percentage the calibration can be adjusted using R33 on AD3. If, however, recalibration is necessary because of work carried out which may result in less predictable changes (e.g. to AB3) the f.m. should be recalibrated as follows under second function control. This recalibration can be easily accomplished using the GPIB if the modulation meter and 2018/2019 have a GPIB fitted and a controller with a suitable program is available.

- (1) Set the instrument to 520 MHz at 0 dBm. Set the f.m. to 100 kHz deviation at 1 kHz rate in the internal mode. Set the carrier frequency increment size to 4.15 MHz. Enter SECOND FUNCT "0" and overcome the second degree protection by carrying out the Second level operation unlocking procedure. Details of this procedure are given in Chap. 4, page 38.
- (2) Enter SECOND FUNCT "8". The r.f. level display will show a number corresponding to the tracking data at 520 MHz. This number is changed in order to obtain 100 kHz deviation as measured by the modulation meter. The number can be changed by entering a new 3 digit number or by using the increment keys. When the best value is found pressing the STORE key will store the data in the non-volatile memory. If the store key is not pressed the number will return to its previous setting when you exit from the second function mode.

- (3) Enter CARRIER FREQ and increment down in frequency by pressing the increment key. Then repeat the procedure given in section 2 at the new carrier frequency. Keep repeating this procedure until a carrier frequency of 437 MHz is reached. Then reset the carrier to 437.00001 MHz and repeat the procedure for entering new tracking data. This will complete the tracking of oscillator 4 on AB3.
- (4) The above procedure has to be repeated for the other 3 oscillators on AB3. Oscillator 3 is tracked by setting an incremental carrier of 3.45 MHz and starting at a carrier of 437 MHz. On reaching 368 MHz the carrier is reset to 368.00001 MHz and the last tracking point for oscillator 3 can be entered. Oscillator 2 is tracked by setting an incremental carrier of 2.95 MHz and starting at a carrier of 368 MHz. On reaching 309 MHz the carrier is set to 309.00001 MHz and the last tracking point for oscillator 2 can be entered. Oscillator 1 is tracked by setting an incremental carrier of 2.45 MHz and starting at a carrier of 309 MHz. On reaching 260 MHz the carrier is reset to 260.00001 MHz and the last tracking point for oscillator 1 can be entered.
- (5) On completion select SECOND FUNCT '.' (decimal point) to recalculate and store the amended EAROM check sum data.
- (6) Relock the second function by entering SECOND FUNCT "0".

External modulation

130. There is no need to calibrate the external modulation when the modulation a.l.c. is on. An accurate a.c. voltmeter and a modulation meter is required to calibrate the external modulation when the a.l.c. is off.

- (1) Set the instrument to external modulation at any convenient modulation setting (a.m. or f.m.).
- (2) Apply an external modulation source of 1 kHz frequency and adjust its level to give 1 V r.m.s. as measured by the voltmeter.
- (3) Set the modulation a.l.c. on and note the reading on the modulation meter. Switch the a.l.c. off and adjust R16 on AD3 to give the same reading on the modulation meter.

Chapter 6

REPLACEABLE PARTS

CONTENTS

Para.

1	Introduction	
3	Abbreviations	
4	Component values	
6	Ordering	
7	Electrical components	
7	Unit AA0	- RF BOX 1 AA/B0
8	Unit AA1	- L.S.D. LOOP
9	Unit AA2	- MICROPROCESSOR SYSTEM
10	Unit AA3	- FREQUENCY STANDARD
11	Unit AB1	- OUTPUT LOOP V.R.D.
12	Unit AB2	- DIVIDE-BY-TWO CHAIN AND FM DRIVE
13	Unit AB3	- OSCILLATORS BOARD
14	Unit AB4	- O/P PHASE DETECTOR
15	Unit AB5	- VCXO LOOP
16	Unit AC0	- RF BOX 2 (44990-352S)
17	Unit AC2	- B.F.O. SYSTEM
18	Unit AC3	- FILTER BOARD (2018 only)
19	Unit AC4	- OUTPUT AMPLIFIER
20	Unit AC5	- AMPLITUDE MODULATOR
21	Unit AC13	- FILTER & FREQ DOUBLER BOARD (2019 only)
22	Unit AD11	- DISPLAY BOARD
23	Unit AD2	- MOTHER BOARD
24	Unit AD3	- MOD. OSC. AND FM CONTROL BOARD
25	Unit AD4	- KEYBOARD
26	Unit AE1	- POWER SUPPLY BOARD
27	Unit AM0	- BASIC MODULE (44990-380J)
28	Unit ATO/1	- 10DB STEP ATTENUATOR ASSEMBLY
29	Unit AT1	- ATTENUATOR BOARD
30	Unit AT2	- ATTENUATOR CONTROL
31	Unit AG1/1	- GPIB ADAPTER TRANSCEIVER
32	Mechanical components	

Fig.

1	Miscellaneous mechanical components	Page ... 71/72
---	--	----------------

INTRODUCTION

1. Each sub-assembly or printed circuit board in this equipment has been allocated a reference designator code, e.g. A0, A1, A2 etc.
2. The complete component reference includes its reference designator as a prefix e.g. A2C1 (capacitor C1 on sub-assembly A2) but for convenience in the text and diagrams the prefix is omitted unless it is needed to avoid confusion. However when ordering replacements or in correspondence the complete component reference must be quoted.

ABBREVIATIONS

3. Electrical components are listed in alpha-numerical order of their complete circuit reference and the following standard abbreviations are used in the 'Description' column :

ADC	analogue-digital converter
CAP	capacitor
CARR	carrier
CARB	carbon
CC	carbon composition
CDE CNV	code converter
CER	ceramic
CERM	cermet
CF	carbon film
COAX	coaxial
CON	connector
CTR	counter
DAC	digital-analogue converter
DEC/DMX	decoder/demultiplexer
DECOD	decoder
DIL	dual in-line
DIV	divider
DRIV	driver
ELEC	electrolytic
ENCOD	encoder
FEM	female
FF	flip-flop (bistable)
FILTERCON	filtering capacitor
GER	germanium
GP	general purpose
ICA	integrated circuit, analogue
ICD	integrated circuit, digital
IND	inductor
INV	inverter
LD/T	lead through
MF	metal film
MG	metal glaze
MISC	miscellaneous
MO	metal oxide
MP	microprocessor
MP SUPP	microprocessor support
MUX	multiplexer
NET	network
PC	polycarbonate
PETP	(polyester)polyethelene terephthalate
PS	polystyrene
PLL	phase-locked loop

Q/ACT	quick acting
RECT	rectifier
RES	resistor
RV	resistor, variable
RX	receiver
SAPPH	sapphire
SEC	secondary
SH REG	shift register
SIL	silicon
SW	switch
T/LAG	time lag
TANT	tantalum
TOG	toggle
TRANS	transistor
TX	transmitter
VAR	variable
VREG	voltage regulator
W	watts at 70 ⁰ C
WW	wirewound
X	miscellaneous item
XL	crystal
!	static sensitive component
% +	asymmetric tolerance

COMPONENT VALUES

4. One or more of the components fitted in the equipment may differ from those listed in this chapter for any of the following reasons:
- (a) Components indicated by a * have their values selected during test to achieve particular performance limits.
 - (b) Owing to supply difficulties, components of different value or type may be substituted provided the overall performance of the equipment is maintained.
 - (c) As part of a policy of continuous development, components may be changed in value or type to obtain detail improvements in performance.
5. When there is a difference between the component fitted and the one listed, always use as a replacement the same type and value as found in the equipment.

ORDERING

6. When ordering replacements, address the order to our Service Division (address on rear cover) or nearest agent and specify the following for each component required:-

- (1) Type[#] and serial number of equipment.
- (2) Complete circuit reference.
- (3) Description.
- (4) Part number.

[#]As given on the serial number label at the rear of the equipment; if this is superseded by a model number label, quote the model number instead of the type number.

Circuit Ref	Description	Part Number
-------------	-------------	-------------

Unit AAO	- RF BOX 1 AA/BO(44990-351V)	Issue 9
----------	------------------------------	---------

7. When ordering, prefix circuit reference with AAO

C1	CAP CER .001UF 300V 20%+ LD/T	26373-733K
C2	CAP CER .001UF 300V 20%+ LD/T	26373-733K
C3	CAP CER .001UF 300V 20%+ LD/T	26373-733K
C4	CAP CER .001UF 300V 20%+ LD/T	26373-733K
C5	CAP CER .001UF 300V 20%+ LD/T	26373-733K
C6	CAP CER .001UF 300V 20%+ LD/T	26373-733K
C7	CAP CER .001UF 300V 20%+ LD/T	26373-733K
C8	CAP CER .001UF 300V 20%+ LD/T	26373-733K
C9	CAP CER .001UF 300V 20%+ LD/T	26373-733K
C10	CAP CER .001UF 300V 20%+ LD/T	26373-733K
C11	CAP CER .001UF 300V 20%+ LD/T	26373-733K
C12	CAP CER .001UF 300V 20%+ LD/T	26373-733K
C13	CAP CER .001UF 300V 20%+ LD/T	26373-733K
C14	CAP CER .001UF 300V 20%+ LD/T	26373-733K
C15	CAP CER .001UF 300V 20%+ LD/T	26373-733K
C16	CAP CER .001UF 300V 20%+ LD/T	26373-733K
C17	CAP CER .001UF 300V 20%+ LD/T	26373-733K
C18	CAP CER .001UF 300V 20%+ LD/T	26373-733K
C19	CAP CER .001UF 300V 20%+ LD/T	26373-733K
C20	CAP CER .001UF 300V 20%+ LD/T	26373-733K
C21	CAP CER .001UF 300V 20%+ LD/T	26373-733K
C22	CAP CER .001UF 300V 20%+ LD/T	26373-733K
C23	CAP CER 50PF 300V 10%+ LD/T	26333-229U
C24	CAP CER .001UF 300V 20%+ LD/T	26373-733K
C25	CAP CER .001UF 300V 20%+ LD/T	26373-733K
C26	CAP CER .001UF 300V 20%+ LD/T	26373-733K
C27	CAP CER .001UF 300V 20%+ LD/T	26373-733K
C28	CAP CER .001UF 300V 20%+ LD/T	26373-733K
C29	CAP CER .001UF 300V 20%+ LD/T	26373-733K
C30	CAP CER .001UF 300V 20%+ LD/T	26373-733K
C31	CAP CER .001UF 300V 20%+ LD/T	26373-733K
C32	CAP CER .001UF 300V 20%+ LD/T	26373-733K
C33	CAP CER .001UF 300V 20%+ LD/T	26373-733K
C34	CAP CER .001UF 300V 20%+ LD/T	26373-733K
C35	CAP CER .001UF 300V 20%+ LD/T	26373-733K
C36	CAP CER .001UF 300V 20%+ LD/T	26373-733K
C37	CAP CER .001UF 300V 20%+ LD/T	26373-733K
C38	CAP CER .001UF 300V 20%+ LD/T	26373-733K
C39	CAP CER .001UF 300V 20%+ LD/T	26373-733K
C40	CAP CER .001UF 300V 20%+ LD/T	26373-733K

Circuit Ref	Description	Part Number
Unit AAO	- RF BOX 1 AA/BO	(Contd.)
C41	CAP CER .001UF 300V 20%+ LD/T	26373-733K
C42	CAP CER .001UF 300V 20%+ LD/T	26373-733K
C43	CAP CER .001UF 300V 20%+ LD/T	26373-733K
C44	CAP CER .001UF 300V 20%+ LD/T	26373-733K
C45	CAP CER .001UF 300V 20%+ LD/T	26373-733K
C46	CAP CER 50PF 300V 10%+ LD/T	26333-229U
C47	CAP CER .001UF 300V 20%+ LD/T	26373-733K
C48	CAP CER .001UF 300V 20%+ LD/T	26373-733K
C49	CAP CER .001UF 300V 20%+ LD/T	26373-733K
C50	CAP CER .001UF 300V 20%+ LD/T	26373-733K
C51	CAP CER .001UF 300V 20%+ LD/T	26373-733K
C52	CAP CER .001UF 300V 20%+ LD/T	26373-733K
C53	CAP CER .001UF 300V 20%+ LD/T	26373-733K
C54	CAP CER .001UF 300V 20%+ LD/T	26373-733K
C55	CAP CER .001UF 300V 20%+ LD/T	26373-733K
C56	CAP CER .001UF 300V 20%+ LD/T	26373-733K
C57	CAP CER .001UF 300V 20%+ LD/T	26373-733K
C58	CAP CER .001UF 300V 20%+ LD/T	26373-733K
C59	CAP CER .001UF 300V 20%+ LD/T	26373-733K
C60	CAP CER .001UF 300V 20%+ LD/T	26373-733K
C61	CAP CER .001UF 300V 20%+ LD/T	26373-733K
C62	CAP CER .001UF 300V 20%+ LD/T	26373-733K
C63	CAP CER .001UF 300V 20%+ LD/T	26373-733K
C64	CAP CER .001UF 300V 20%+ LD/T	26373-733K
C65	CAP CER .001UF 300V 20%+ LD/T	26373-733K
C66	CAP CER .001UF 300V 20%+ LD/T	26373-733K
C67	CAP CER .001UF 300V 20%+ LD/T	26373-733K
C68	CAP CER .001UF 300V 20%+ LD/T	26373-733K
C69	CAP CER 50PF 300V 10%+ LD/T	26333-229U
C70	CAP CER .001UF 300V 20%+ LD/T	26373-733K
C71	CAP CER .001UF 300V 20%+ LD/T	26373-733K
C72	CAP CER .001UF 300V 20%+ LD/T	26373-733K
C73	CAP CER .001UF 300V 20%+ LD/T	26373-733K
C74	CAP CER .001UF 300V 20%+ LD/T	26373-733K
C75	CAP CER .001UF 300V 20%+ LD/T	26373-733K
C76	CAP CER .001UF 300V 20%+ LD/T	26373-733K
C77	CAP CER .001UF 300V 20%+ LD/T	26373-733K
C78	CAP CER .001UF 300V 20%+ LD/T	26373-733K
C79	CAP CER .001UF 300V 20%+ LD/T	26373-733K
C80	CAP CER .001UF 300V 20%+ LD/T	26373-733K
C81	CAP CER .001UF 300V 20%+ LD/T	26373-733K
C82	CAP CER .001UF 300V 20%+ LD/T	26373-733K
C83	CAP CER .001UF 300V 20%+ LD/T	26373-733K

Circuit Ref	Description	Part Number
Unit AAO	- RF BOX 1 AA/BO	(Contd.)
C84	CAP CER .001UF 300V 20%+ LD/T	26373-733K
C85	CAP CER .001UF 300V 20%+ LD/T	26373-733K
C86	CAP CER .001UF 300V 20%+ LD/T	26373-733K
C87	CAP CER .001UF 300V 20%+ LD/T	26373-733K
C88	CAP CER .001UF 300V 20%+ LD/T	26373-733K
C89	CAP CER .001UF 300V 20%+ LD/T	26373-733K
C90	CAP CER .001UF 300V 20%+ LD/T	26373-733K
C91	CAP CER .001UF 300V 20%+ LD/T	26373-733K
C92	CAP CER .001UF 300V 20%+ LD/T	26373-733K
C93	CAP CER .001UF 300V 20%+ LD/T	26373-733K
C94	CAP CER .001UF 300V 20%+ LD/T	26373-733K
C95	CAP CER .001UF 300V 20%+ LD/T	26373-733K
C96	CAP CER .001UF 300V 20%+ LD/T	26373-733K
C97	CAP CER .001UF 300V 20%+ LD/T	26373-733K
C98	CAP CER .001UF 300V 20%+ LD/T	26373-733K
C99	CAP CER .001UF 300V 20%+ LD/T	26373-733K
C100	CAP CER .001UF 300V 20%+ LD/T	26373-733K
C101	CAP CER .001UF 300V 20%+ LD/T	26373-733K
C102	CAP CER .001UF 300V 20%+ LD/T	26373-733K
C103	CAP CER .001UF 300V 20%+ LD/T	26373-733K
C104	CAP CER .001UF 300V 20%+ LD/T	26373-733K
C105	CAP CER .001UF 300V 20%+ LD/T	26373-733K
C106	CAP CER .001UF 300V 20%+ LD/T	26373-733K
C107	CAP CER .001UF 300V 20%+ LD/T	26373-733K
C108	CAP CER .001UF 300V 20%+ LD/T	26373-733K
C109	CAP CER .001UF 300V 20%+ LD/T	26373-733K
C111	CAP CER .001UF 500V 20%+ L/T	26373-714F
C112	CAP CER .001UF 500V 20%+ L/T	26373-714F
C113	CAP CER .001UF 500V 20%+ L/T	26373-714F
C114	CAP CER .001UF 500V 20%+ L/T	26373-714F
C115	CAP CER .001UF 500V 20%+ L/T	26373-714F
C116	CAP CER .001UF 500V 20%+ L/T	26373-714F
C117	CAP CER .001UF 500V 20%+ L/T	26373-714F
C118	CAP CER .001UF 500V 20%+ L/T	26373-714F
C119	CAP ELEC 4.7UF 35V 20% SUB MIN	26421-108A
C120	CAP ELEC 4.7UF 35V 20% SUB MIN	26421-108A
C121	CAP ELEC 47UF 10V 20%+	26415-809E
C122	CAP PETP .022UF 63V 10% RAD MIN	26528-430L
D1	DIODE ZENER 1N825/A 6.2V 5%	28371-494Z
IC1	UA7805	28461-707G
L1	IND CHOKE 100UH 10%	23642-561W
L2	IND CHOKE 100UH 10%	23642-561W
L3	IND CHOKE 100UH 10%	23642-561W
L4	IND CHOKE 100UH 10%	23642-561W
L5	IND CHOKE 100UH 10%	23642-561W
L6	IND CHOKE 100UH 10%	23642-561W

Circuit Ref	Description	Part Number
Unit AAO	- RF BOX 1 AA/BO	(Contd.)
L7	IND CHOKE 100UH 10%	23642-561W
L8	IND CHOKE 100UH 10%	23642-561W
L9	IND CHOKE 100UH 10%	23642-561W
L10	IND CHOKE 100UH 10%	23642-561W
L11	IND CHOKE 100UH 10%	23642-561W
L12	IND CHOKE 100UH 10%	23642-561W
L13	IND CHOKE 100UH 10%	23642-561W
L14	IND CHOKE 100UH 10%	23642-561W
L15	IND CHOKE 100UH 10%	23642-561W
L16	IND CHOKE 100UH 10%	23642-561W
L17	IND CHOKE 100UH 10%	23642-561W
L18	IND CHOKE 100UH 10%	23642-561W
L19	IND CHOKE 100UH 10%	23642-561W
L20	IND CHOKE 100UH 10%	23642-561W
L21	IND CHOKE 100UH 10%	23642-561W
L22	IND CHOKE 100UH 10%	23642-561W
L23	IND CHOKE 100UH 10%	23642-561W
L24	IND CHOKE 100UH 10%	23642-561W
L25	IND CHOKE 100UH 10%	23642-561W
L26	IND CHOKE 100UH 10%	23642-561W
L27	IND CHOKE 100UH 10%	23642-561W
L28	IND CHOKE 100UH 10%	23642-561W
L29	IND CHOKE 100UH 10%	23642-561W
L30	IND CHOKE 100UH 10%	23642-561W
L31	IND CHOKE 100UH 10%	23642-561W
L32	IND CHOKE 100UH 10%	23642-561W
L33	IND CHOKE 100UH 10%	23642-561W
L34	IND CHOKE 100UH 10%	23642-561W
L45	IND CHOKE 100UH 10%	23642-561W
L46	IND CHOKE 100UH 10%	23642-561W
PLBW	CONN ASSY PLBW-PLDH	43129-692K
PLBX	CONN ASSY PLBX-SKAV	43129-664B
R1	RV CERM 10K LIN 0.5W PANEL MTG	25748-518H
R2	RES MF 1K1 1/4W 2%	24773-274Z
R3	RES MF 100R 1/4W 2%	24773-249J
R4	RES MF 100R 1/4W 2%	24773-249J
SKAR	CON RF SMB MALE 50 BKHD SOLDER	23444-331H
SKAU	CON RF SMB MALE 50 BKHD SOLDER	23444-331H
SKBC	CONN ASSY SKBC	43129-669E
SKBD	CONN ASSY	43129-671H
SKBE	CONN ASSY SKBE-SKBL	43129-670Z
SKBF	CONN ASSY	43129-671H
SKBH	CONN ASSY	43129-671H

Circuit Ref	Description	Part Number
Unit AAO	- RF BOX 1 AA/BO	(Contd.)
SKBJ	CONN ASSY	43129-671H
SKBK	CONN ASSY SKBK	43129-659C
SKBM	CONN ASSY SKBM-SKBP	43129-660X
SKBN	CONN ASSY SKBN	43129-661M
SKBR	CONN ASSY	43129-678F
SKBS	CONN ASSY	43129-671H
SKBT	CONN ASSY SKBT-PLDL	43129-663R
SKBU	CONN ASSY SKBU-SKCB	43129-662C
SKBV	CONN ASSY	43129-671H
SKBY	CONN ASSY	43129-678F
SKBZ	CONN ASSY	43129-671H
SKCC	CONN ASSY SKCC-SKCF	43129-665K
SKCD	CONN ASSY	43129-693M
SKCE	CONN ASSY SKCE	43129-666A
SKCJ	CONN ASSY	43129-693M
SKCK	CONN ASSY SKCK-PLDJ	43129-667Z
SKDH	CON RF SMB MALE 50 BKHD SOLDER	23444-331H
SKDJ	CON RF SMB MALE 50 BKHD SOLDER	23444-331H
SKDL	CON RF SMB MALE 50 BKHD SOLDER	23444-331H
X6	10MHZ CRYSTAL OSCILLATOR	44990-418V
X11	FERRITE BEAD	41372-006T
X12	FERRITE BEAD	41372-006T
X13	FERRITE BEAD	41372-006T
X14	FERRITE BEAD	41372-006T
X15	FERRITE BEAD	41372-006T
X16	FERRITE BEAD	41372-006T
X17	FERRITE BEAD	41373-006T

Circuit Ref	Description	Part Number
Unit AAI	- L.S.D. LOOP	
	8. When ordering, prefix circuit reference with AAI	
	Complete unit	44828-426W
C1	CAP PETP 0.1UF 100V 10%	26582-211B
C2	CAP PETP 1.0UF 100V 10%	26582-217U
C3	CAP CER 470PF 63V 10% PLATE	26383-582T
C4	CAP CER 0.01UF 100V 20% DISC	26383-055L
C5	CAP CER 0.01UF 100V 20% DISC	26383-055L
C6	CAP ELEC .47UF 50V 20% SUB MIN	26421-104C
C7	CAP ELEC .47UF 50V 20% SUB MIN	26421-104C
C8	CAP CER 0.01UF 100V 20% DISC	26383-055L
C9	CAP CER 0.01UF 100V 20% DISC	26383-055L
C10	CAP CER 0.01UF 100V 20% DISC	26383-055L
C11	CAP CER 0.01UF 100V 20% DISC	26383-055L
C12	CAP CER 0.01UF 100V 20% DISC	26383-055L
C13	CAP CER 0.01UF 100V 20% DISC	26383-055L
C14	CAP CER 0.01UF 100V 20% DISC	26383-055L
C15	CAP CER 0.01UF 100V 20% DISC	26383-055L
C16	CAP CER 0.01UF 100V 20% DISC	26383-055L
C17	CAP CER 0.01UF 100V 20% DISC	26383-055L
C18	CAP CER 0.01UF 100V 20% DISC	26383-055L
C19	CAP CER 0.01UF 100V 20% DISC	26383-055L
C20	CAP CER 0.01UF 100V 20% DISC	26383-055L
C21	CAP CER 0.01UF 100V 20% DISC	26383-055L
C22	CAP CER 0.01UF 100V 20% DISC	26383-055L
C23	CAP CER 0.01UF 100V 20% DISC	26383-055L
C24	CAP CER .0015UF 63V 10% PLATE	26383-593A
C25	CAP PETP 0.22UF 63V 10% RAD MIN	26582-430L
C26	CAP CER 0.01UF 100V 20% DISC	26383-055L
C27	CAP CER 1UF 63V 10% PLATE	26383-585M
C28	CAP CER 47PF 63V 5% PLATE	26343-473L
D1	DIODE VAR CAP MVAM125 1V 500PF	28381-340V
D2	DIODE SIL 1N4148 100V JUNC	28336-676J
D3	DIODE SIL 1N4148 100V JUNC	28336-676J
D4	DIODE HOT CARR 1N5390	28349-005Z
IC1	ICD FF D 74LS74 DUAL +EDG TR	28462-611A
IC2	ICD NAND 74LS10 TRIP 3INP	28466-351Y
IC3	ICD CTR 74LS160 4BIT BIN PRE	28464-123P
IC4	ICD CTR 74LS160 4BIT BIN PRE	28464-123P
IC5	ICD CTR 74LS160 4BIT BIN PRE	28464-123P

Circuit Ref	Description	Part Number
Unit AAI	- L.S.D. LOOP	(Contd.)
IC6	ICD CTR 74LS160 4BIT BIN PRE	28464-123P
IC7	ICD CTR 74LS160 4BIT BIN PRE	28464-123P
IC8	ICD FF D 74LS273 OCT +EDG TR	28462-615U
IC9	ICD FF D 74LS273 OCT +EDG TR	28462-615U
IC10	ICD FF D 74LS273 OCT +EDG TR	28462-615U
IC11	ICD FF D 74LS273 OCT +EDG TR	28462-615U
IC12	ICD CTR 74LS160 4BIT BIN PRE	28464-123P
IC13	ICD CTR 74LS160 4BIT BIN PRE	28464-123P
IC14	ICD CTR 74LS160 4BIT BIN PRE	28464-123P
IC15	ICD CTR 74LS160 4BIT BIN PRE	28464-123P
IC16	ICD NAND 74S133 13INP	28466-357V
IC17	ICD NAND 74S133 13INP	28466-357V
L1	IND CHOKE .47UH 10%	23642-547Y
L2	IND CHOKE .47UH 10%	23642-547Y
PLBL	CON PART PCB POST SQUARE PIN	23435-188V
PLBM	CON PART PCB POST SQUARE PIN	23435-188V
PLBN	CON PART PCB POST SQUARE PIN	23435-188V
R1	RES MF 6K8 1/4W 2%	24773-293D
R2	RES MF 2K2 1/4W 2%	24773-281Y
R3	RES MF 3K3 1/4W 2%	24773-285F
R4	RES MF 1K0 1/4W 2%	24773-273A
R5	RES MF 2K2 1/4W 2%	24773-281Y
R6	RES MF 2K2 1/4W 2%	24773-281Y
R7	RES MF 2K2 1/4W 2%	24773-281Y
R8	RES MF 1K0 1/4W 2%	24773-273A
R9	RES MF 1K0 1/4W 2%	24773-273A
R10	RES MF 1K0 1/4W 2%	24773-273A
R11	RES MF 1K0 1/4W 2%	24773-273A
TR1	TRANS NPN SIL ZTX109CL 20V	28452-771P
TR2	TRANS PNP SIL BC308 25V	28433-455R
TR3	TRANS NPN SIL ZTX109CL 20V	28452-771P

Circuit Ref	Description	Part Number
Unit AA2	- MICROPROCESSOR SYSTEM	
9.	When ordering, prefix circuit reference with AA2	
	Complete unit	44828-427D
C1	CAP CER 0.01UF 100V 20% DISC	26383-055L
C2	CAP TANT 4.7UF 35V 20% BEAD	26486-219P
C3	CAP ELEC 100UF 25V 20%+ P/CCT	26423-243M
C4	CAP ELEC 100UF 25V 20%+ P/CCT	26423-243M
C5	CAP ELEC 100UF 25V 20%+ P/CCT	26423-243M
C6	CAP CER 0.01UF 100V 20% DISC	26383-055L
C7	CAP CER 0.01UF 100V 20% DISC	26383-055L
C8	CAP CER 0.01UF 100V 20% DISC	26383-055L
C9	CAP CER 0.01UF 100V 20% DISC	26383-055L
C10	CAP CER 0.01UF 100V 20% DISC	26383-055L
C11	CAP CER 0.01UF 100V 20% DISC	26383-055L
C12	CAP CER 0.01UF 100V 20% DISC	26383-055L
C13	CAP CER 0.01UF 100V 20% DISC	26383-055L
C14	CAP CER 0.01UF 100V 20% DISC	26383-055L
C15	CAP CER 470PF 63V 10% PLATE	26383-582T
C16	CAP ELEC 22UF 25V 20%+	26415-805K
C17	CAP PETP 0.1UF 100V 10%	26582-211B
C18	CAP PETP 0.1UF 100V 10%	26582-211B
C20	CAP ELEC 100UF 25V 20%+ P/CCT	26423-243M
C21	CAP CER 470PF 63V 10% PLATE	26383-582T
C22	CAP CER 0.01UF 100V 20% DISC	26383-055L
C23	CAP CER 0.01UF 100V 20% DISC	26383-055L
C24	CAP CER 0.01UF 100V 20% DISC	26383-055L
C25	CAP CER 0.01UF 100V 20% DISC	26383-055L
C26	CAP CER 0.01UF 100V 20% DISC	26383-055L
C27	CAP ELEC 100UF 25V 20%+ P/CCT	26423-243M
C28	CAP TANT 4.7UF 35V 20% BEAD	26486-219P
C32	CAP ELEC 100UF 25V 20%+ P/CCT	26423-243M
D1	DIODE SIL 1N4148 100V JUNC	28336-676J
D2	DIODE ZENER BZX79C3V0 3V 5%	28371-209P
D3	DIODE ZENER BZX79C3V0 3V 5%	28371-209P
D4	DIODE ZENER BZX79C15 15V 5%	28372-309Z
D5	DIODE SIL 1N4148 100V JUNC	28336-676J
D6	DIODE SIL 1N4148 100V JUNC	28336-676J
D7	DIODE ZENER BZX79C15 15V 5%	28372-309Z
D8	DIODE SIL 1N4148 100V JUNC	28336-676J
D9	DIODE SIL 1N4148 100V JUNC	28336-676J
D10	DIODE H/CARR HP5082-2811	28349-008U

Circuit Ref	Description	Part Number
Unit AA2	- MICROPROCESSOR SYSTEM	(Contd.)
IC1	ICD MP P8085A 8BIT NMOS	! 28469-396K
IC2	ICD NAND 74LS00 QUAD 2INP	28466-345H
IC3	ICD MP SUP 8155 2KRAM+I/O+TIM	! 28469-304E
IC4	ICD BUFF 74LS245 OCT TXRX	28469-188B
IC5	ICD BUFF 74LS244 OCT 3ST	28469-182T
IC6	ICD DEC/DMX 74LS138 3-8	28465-027F
IC7	ICD MP SUP 8155 2KRAM+I/O+TIM	! 28469-304E
IC8	ICD PROM ER3400 1KX4BIT EA	! 28471-010H
IC9	ICD BUFF 4049 HEX I	! 28469-162Z
IC10	ICD FF D 74LS273 OCT +EDG TR	28462-615U
IC11	ICD LATCH 74LS373 OCT 3ST	28462-410E
IC12	ICD DEC/DMX 74LS138 3-8	28465-027F
IC13	ICD B2732 EPROM A	
IC14	ICD B2732 EPROM B Set of four	! 44533-097Z
IC15	ICD B2732 EPROM C	
IC16	ICD B2732 EPROM D	
PLBC	CON PART PCB POST SQUARE PIN	23435-188V
PLBD	CON PART PCB POST SQUARE PIN	23435-188V
PLBE	CON PART PCB POST SQUARE PIN	23435-188V
PLBF	CON PART PCB POST SQUARE PIN	23435-188V
PLBH	CON PART PCB POST SQUARE PIN	23435-188V
PLBJ	CON PART PCB POST SQUARE PIN	23435-188V
PLBK	CON PART PCB POST SQUARE PIN	23435-188V
R1	RES MF 47K 1/4W 2%	24773-313H
R2	RES MF 10K 1/4W 2%	24773-297M
R3	RES MF 10K 1/4W 2%	24773-297M
R4	RES MF 10K 1/4W 2%	24773-297M
R5	RES MF 1K0 1/4W 2%	24773-273A
R6	RES MF 1K0 1/4W 2%	24773-273A
R7	RES MF 3K0 1/4W 2%	24773-284J
R8	RES MF 3K0 1/4W 2%	24773-284J
R9	RES MF 10K 1/4W 2%	24773-297M
R10	RES MF 10K 1/4W 2%	24773-297M
R11	RES MF 15K 1/4W 2%	24773-301P
R12	RES MF 4K7 1/4W 2%	24773-289W
R13	RES MF 15K 1/4W 2%	24773-301P
R14	RES MF 330R 1/4W 2%	24773-261D
R15	RES MF 10K 1/4W 2%	24773-297M
R16	RES MF 3K0 1/4W 2%	24773-284J
R17	RES MF 10K 1/4W 2%	24773-297M
R18	RES MF 4K7 1/4W 2%	24773-289W
R19	RES MF 4K7 1/4W 2%	24773-289W
R20	RES MF 10K 1/4W 2%	24773-297M

Circuit Ref	Description	Part Number
Unit AA2	- MICROPROCESSOR SYSTEM	(Contd.)
R21	RES MF 10K 1/4W 2%	24773-297M
R22	RES MF 10K 1/4W 2%	24773-297M
R23	RES MF 15K 1/4W 2%	24773-301P
R24	RES MF 1K0 1/4W 2%	24773-273A
R25	RES MF 47K 1/4W 2%	24773-313H
R26	RES MF 10K 1/4W 2%	24773-297M
R27	RES MF 10K 1/4W 2%	24773-297M
R28	RES MF 47R 1/4W 2%	24773-241A
R29	RES MF 47R 1/4W 2%	24773-241A
R30	RES MF 10K 1/4W 2%	24773-297M
TR1	TRANS PNP SIL BC307A 45V	28435-227H
TR2	TRANS PNP SIL BC307A 45V	28435-227H
TR3	TRANS NPN SIL ZTX107AL 45V	28455-421X
TR4	TRANS NPN SIL ZTX107AL 45V	28455-421X
TR5	TRANS NPN SIL ZTX107AL 45V	28455-421X
TR6	TRANS PNP SIL BC307A 45V	28435-227H
TR7	TRANS NPN SIL ZTX107AL 45V	28455-421X
TR8	TRANS PNP SIL BC307A 45V	28435-227H
TR9	TRANS PNP SIL BC307A 45V	28435-227H
TR10	TRANS NPN SIL ZTX107AL 45V	28455-421X
TR11	TRANS PNP SIL BC307A 45V	28435-227H
XL1	CRYSTAL 6.144MHZ FLY LDS	28312-054J

Circuit Ref	Description	Part Number
Unit AA3	- FREQUENCY STANDARD	
10. When ordering, prefix circuit reference with AA3		
	Complete unit	44828-428T
C1	CAP CER 0.01UF 100V 20% DISC	26383-055L
C2	CAP CER 0.01UF 100V 20% DISC	26383-055L
C3	CAP ELEC 4.7UF 35V 20% SUB MIN	26421-108A
C4	CAP ELEC 4.7UF 35V 20% SUB MIN	26421-108A
C5	CAP CER 0.01UF 100V 20% DISC	26383-055L
C6	CAP ELEC 4.7UF 35V 20% SUB MIN	26421-108A
C7	CAP CER 0.01UF 100V 20% DISC	26383-055L
C8	CAP CER 0.01UF 100V 20% DISC	26383-055L
C9	CAP PS 220PF 350V 2%	26516-329B
C10	CAP CER 0.01UF 100V 20% DISC	26383-055L
D1	DIODE SIL BA482 35V JUNC	28335-675R
IC1	ICD NAND 74LS00 QUAD 2INP	28466-345H
IC2	ICD NOR 74128 QUAD 2INP BUF	28466-224S
IC3	ICD CTR 74LS390 DUAL 4BIT DEC	28464-127R
IC4	ICD CTR 74LS390 DUAL 4BIT DEC	28464-127R
L1	IND CHOKE 1.0UH 10%	23642-549L
PLBP	CON PART PCB POST SQUARE PIN	23435-188V
PLBR	CON PART PCB POST SQUARE PIN	23435-188V
R1	RES MF 2K7 1/4W 2%	24773-283L
R2	RES MF 10K 1/4W 2%	24773-297M
R3	RES MF 10K 1/4W 2%	24773-297M
R4	RES MF 1K0 1/4W 2%	24773-273A
R5	RES MF 10K 1/4W 2%	24773-297M
R6	RES MF 100R 1/4W 2%	24773-249J
R7	RES MF 180R 1/4W 2%	24773-255V
R8	RES MF 1K0 1/4W 2%	24773-273A
R9	RES MF 180R 1/4W 2%	24773-255V
R10	RES MF 1K0 1/4W 2%	24773-273A
R11	RES MF 180R 1/4W 2%	24773-255V
TR1	TRANS PNP SIL BC308 25V	28433-455R
TR2	TRANS NPN SIL ZTX109CL 20V	28452-771P
TR3	TRANS NPN SIL ZTX109CL 20V	28452-771P

Circuit Ref	Description	Part Number
Unit AB1	- OUTPUT LOOP V.R.D.	
11. When ordering, prefix circuit reference with AB1		
	Complete unit	44828-429P
C1	CAP CER .001UF 63V 10% PLATE	26383-585M
C2	CAP CER 0.01UF 100V 20% DISC	26383-055L
C3	CAP CER .001UF 63V 10% PLATE	26383-585M
C4	CAP CER .001UF 63V 10% PLATE	26383-585M
C5	CAP CER .001UF 63V 10% PLATE	26383-585M
C6	CAP CER .001UF 63V 10% PLATE	26383-585M
C7	CAP CER 0.01UF 100V 20% DISC	26383-055L
C8	CAP CER 0.01UF 100V 20% DISC	26383-055L
C9	CAP CER 0.01UF 100V 20% DISC	26383-055L
C10	CAP CER 0.01UF 100V 20% DISC	26383-055L
C11	CAP CER 0.01UF 100V 20% DISC	26383-055L
C12	CAP CER 0.01UF 100V 20% DISC	26383-055L
C13	CAP CER 0.01UF 100V 20% DISC	26383-055L
C14	CAP CER 0.01UF 100V 20% DISC	26383-055L
C15	CAP CER 0.01UF 100V 20% DISC	26383-055L
C16	CAP CER 0.01UF 100V 20% DISC	26383-055L
C17	CAP CER 0.01UF 100V 20% DISC	26383-055L
C18	CAP CER 2.2PF 63V .5PF PLATE	26343-457R
C19	CAP ELEC 22UF 25V 20% SUB MIN	26421-114E
D1	DIODE SIL 1N4148 100V JUNC	28336-676J
D4	DIODE SIL 1N4148 100V JUNC	28336-676J
IC1	ICD DIV SP8607B ECL /2 PRESC	28462-023B
IC2	ICD DIV SP8647B/10,11 TTL O/P	28464-015W
IC3	ICD NAND 74S00N QUAD 2INP	28466-331D
IC4	ICD FF D 74LS273 OCT +EDG TR	28462-615U
IC5	ICD FF D 74LS273 OCT +EDG TR	28462-615U
IC6	ICD CTR 74LS196 4BIT DEC PRE	28464-016D
IC7	ICD CTR 74196 4BIT DEC PR	28464-004Y
IC8	ICD CTR 74LS196 4BIT DEC PRE	28464-016D
IC9	ICD CTR 74LS196 4BIT DEC PRE	28464-016D
IC10	ICD FF D 74S74 DUAL +EDG TR	28462-607K
IC11	ICD FF JK 74S112 DUAL -EDG TR	28462-015P
IC12	ICD NAND 74S133 13INP	28466-357V
PLBS	CON PART PCB POST SQUARE PIN	23435-188V
PLBT	CON PART PCB POST SQUARE PIN	23435-188V
PLBU	CON PART PCB POST SQUARE PIN	23435-188V
R1	RES MF 20K 1/4W 2%	24773-304C
R2	RES MF 10K 1/4W 2%	24773-297M

Circuit Ref	Description	Part Number
Unit AB1	- OUTPUT LOOP V.R.D.	(Contd.)
R3	RES MF 1K8 1/4W 2%	24773-279N
R4	RES CC 22R 1/8W 5%	24331-988T
R5	RES CC 100R 1/8W 5%	24331-997B
R6	RES MF 10K 1/4W 2%	24773-297M
R7	RES MF 2K7 1/4W 2%	24773-283L
R8	RES MF 1K5 1/4W 2%	24773-277U
R9	RES MF 91R 1/4W 2%	24773-248L
R10	RES MF 750R 1/4W 2%	24773-270R
R11	RES MF 1K5 1/4W 2%	24773-277U
R12	RES MF 680R 1/4W 2%	24773-269K
R13	RES MF 2K2 1/4W 2%	24773-281Y
R14	RES MF 2K2 1/4W 2%	24773-281Y
TR1	TRANS NPN SIL BFR90 15V	28452-167U

Unit AB2 - DIVIDE-BY-TWO CHAIN AND FM DRIVE Issue 1

12. When ordering, prefix circuit reference with AB2

Complete unit		44828-430D
C1	CAP CER .001UF 63V 10% PLATE	26383-585M
C2	CAP CER .001UF 63V 10% PLATE	26383-585M
C3	CAP CER .001UF 63V 10% PLATE	26383-585M
C4	CAP CER 0.01UF 100V 20% DISC	26383-055L
C5	CAP CER 0.01UF 100V 20% DISC	26383-055L
C6	CAP CER .001UF 63V 10% PLATE	26383-585M
C7	CAP CER 0.01UF 100V 20% DISC	26383-055L
C8	CAP CER .001UF 63V 10% PLATE	26383-585M
C9	CAP CER .001UF 63V 10% PLATE	26383-585M
C10	CAP CER .001UF 63V 10% PLATE	26383-585M
C11	CAP CER 0.01UF 100V 20% DISC	26383-055L
C12	CAP CER 0.01UF 100V 20% DISC	26383-055L
C13	CAP CER .039UF 50V 20% CHIP	26386-493F
C14	CAP CER 1.8PF 63V .5PF PLATE	26343-456C
C15	CAP CER 0.01UF 100V 20% DISC	26383-055L
C16	CAP CER .001UF 63V 10% PLATE	26383-585M
C17	CAP CER .001UF 63V 10% PLATE	26383-585M
C18	CAP CER .001UF 63V 10% PLATE	26383-585M
C19	CAP CER .001UF 63V 10% PLATE	26383-585M
C20	CAP CER 0.01UF 100V 20% DISC	26383-055L

Circuit Ref	Description	Part Number
Unit AB2	- DIVIDE-BY-TWO CHAIN AND FM DRIVE (Contd.)	
C21	CAP CER 0.01UF 100V 20% DISC	26383-055L
C22	CAP CER 0.01UF 100V 20% DISC	26383-055L
C23	CAP CER 0.01UF 100V 20% DISC	26383-055L
C24	CAP CER 0.01UF 100V 20% DISC	26383-055L
C25	CAP CER 0.01UF 100V 20% DISC	26383-055L
C26	CAP PETP 1UF 50V 10% RADMIN	26582-432F
C27	CAP CER 0.01UF 100V 20% DISC	26383-055L
C28	CAP CER 0.01UF 100V 20% DISC	26383-055L
C29	CAP ELEC 100UF 6.3V 20% SUB MIN	26421-118L
C30	CAP ELEC 4.7UF 35V 20% SUB MIN	26421-108A
C31	CAP ELEC 4.7UF 35V 20% SUB MIN	26421-108A
C32	CAP CER 22PF 63V 5% PLATE	26343-469N
D1	DIODE SIL 1N4148 100V JUNC	28336-676J
D2	DIODE SIL 1N4148 100V JUNC	28336-676J
D3	DIODE SIL 1N4148 100V JUNC	28336-676J
D4	DIODE SIL 1N4148 100V JUNC	28336-676J
D5	DIODE SIL 1N4148 100V JUNC	28336-676J
D6	DIODE SIL 1N4148 100V JUNC	28336-676J
D7	DIODE SIL 1N4148 100V JUNC	28336-676J
D8	DIODE SIL 1N4148 100V JUNC	28336-676J
D9	DIODE SIL 1N4148 100V JUNC	28336-676J
IC1	ICD DIV SP8607B ECL /2 PRESC	28462-023B
IC2	ICD DIV SP8604B ECL /2 PRESC	28462-022R
IC3	ICD FF D 10231 M/SLAVE	28462-610K
IC4	ICD FF JK 74S112 DUAL -EDG TR	28462-015P
IC5	ICD FF JK 74LS112 DUAL -EDG TR	28462-020M
IC6	ICD AND 10104 QUAD 2INP ECL	28466-015G
IC7	ICD NAND 74LS00 QUAD 2INP	28466-345H
IC8	ICD FF D 74LS273 OCT +EDG TR	28462-615U
IC9	ICD FF D 74LS175 QUAD +EDG TR	28462-614E
IC10	ICA AMP SE5534 DIL	28461-346K
L1	IND CHOKE 4.7UH 10%	23642-553J
L2	IND CHOKE 4.7UH 10%	23642-553J
L3	IND CHOKE 4.7UH 10%	23642-553J
PLBV	CON PART PCB POST SQUARE PIN	23435-188V
PLCJ	CON PART PCB POST SQUARE PIN	23435-188V
PLCK	CON PART PCB POST SQUARE PIN	23435-188V
R1	RES CC 100R 1/8W 5%	24331-997B
R2	RES MF 1K5 1/4W 2%	24773-277U
R3	RES MF 150R 1/4W 2%	24773-253F
R4	RES MF 51R 1/4W 2%	24773-242Z
R5	RES CHIP 10R 5%	24681-042H
R6	RES MF 4K7 1/4W 2%	24773-289W

Circuit Ref	Description	Part Number
Unit AB2	- DIVIDE-BY-TWO CHAIN AND FM DRIVE	(Contd.)
R7	RES MF 10K 1/4W 2%	24773-297M
R8	RES MF 470R 1/4W 2%	24773-265M
R9	RES MF 4K7 1/4W 2%	24773-289W
R10	RES MF 51R 1/4W 2%	24773-242Z
R11	RES MF 470R 1/4W 2%	24773-265M
R12	RES MF 4K7 1/4W 2%	24773-289W
R13	RES CC 51R 1/8W 5%	24331-989P
R14	RES CC 100R 1/8W 5%	24331-997B
R15	RES MF 10K 1/4W 2%	24773-297M
R16	RES MF 2K7 1/4W 2%	24773-283L
R17	RES MF 10K 1/4W 2%	24773-297M
R18	RES MF 1K2 1/4W 2%	24773-275H
R19	RES MF 4K7 1/4W 2%	24773-289W
R20	RES MF 51R 1/4W 2%	24773-242Z
R21	RES MF 220R 1/4W 2%	24773-257W
R22	RES MF 51R 1/4W 2%	24773-242Z
R23	RES CC 51R 1/8W 5%	24331-989P
R24	RES CC 270R 1/8W 5%	24331-992P
R25	RES MF 1K0 1/4W 2%	24773-273A
R26	RES MF 1K0 1/4W 2%	24773-273A
R27	RES MF 470R 1/4W 2%	24773-265M
R28	RES MF 4K7 1/4W 2%	24773-289W
R29	RES MF 51R 1/4W 2%	24773-242Z
R30	RES MF 10K 1/4W 2%	24773-297M
R31	RES MF 4K7 1/4W 2%	24773-289W
R32	RES MF 10K 1/4W 2%	24773-297M
R33	RES MF 10K 1/4W 2%	24773-297M
R34	RES MF 51R 1/4W 2%	24773-242Z
R35	RES MF 10K 1/4W 2%	24773-297M
R36	RES MF 680R 1/4W 2%	24773-269K
R37	RES MF 1K5 1/4W 2%	24773-277U
R38	RES MF 1K5 1/4W 2%	24773-277U
R39	RES MF 1K5 1/4W 2%	24773-277U
R40	RES MF 1K0 1/4W 2%	24773-273A
R41	RES MF 91R 1/4W 2%	24773-248L
R42	RES MF 1K5 1/4W 2%	24773-277U
R43	RES MF 2K7 1/4W 2%	24773-283L
R44	RES MF 3K0 1/4W 2%	24773-284J
R45	RES MF 5K6 1/4W 2%	24773-291S
R46	RES MF 330R 1/4W 2%	24773-261D
R47	RES MF 1K0 1/4W 2%	24773-273A
R48	RES MF 3K0 1/4W 2%	24773-284J
R49	RES MF 5K6 1/4W 2%	24773-291S
R50	RES MF 330R 1/4W 2%	24773-261D

Circuit Ref	Description	Part Number
Unit AB2	- DIVIDE-BY-TWO CHAIN AND FM DRIVE (Contd.)	
R51	RES MF 1K2 1/4W 2%	24773-275H
R52	RES MF 3K0 1/4W 2%	24773-284J
R53	RES MF 5K6 1/4W 2%	24773-291S
R54	RES MF 330R 1/4W 2%	24773-261D
R55	RES MF 51R 1/4W 2%	24773-242Z
R56	RES MF 1K0 1/4W 2%	24773-273A
R57	RES MF 900R 1/4W 0.25%	24732-270N
R58	RES MF 3K78 0.25W 0.25%	24732-267N
R59	RES MF 75R0 1/4W 0.25%	24732-313V
R61	RES MF 4K7 1/4W 2%	24773-289W
R62	RES MF 150R 1/4W 2%	24773-253F
R63	RES MF 4K7 1/4W 2%	24773-289W
R64	RES MF 150R 1/4W 2%	24773-253F
R65	RES MF 4K7 1/4W 2%	24773-289W
R66	RES MF 150R 1/4W 2%	24773-253F
R67	RES MF 2K2 1/4W 2%	24773-281Y
R68	RES MF 2K2 1/4W 2%	24773-281Y
R69	RES MF 4K7 1/4W 2%	24773-289W
R70	RES MF 51R 1/4W 2%	24773-242Z
R71	RES MF 33R 1/4W 2%	24773-237K
RLA	RELAY REED 1CO 12V 890R	23486-427A
RLB	RELAY REED 1CO 12V 890R	23486-427A
RLC	RELAY REED 1CO 12V 890R	23486-427A
SKBW	CON RF SMB MALE 50 PCB STR	23444-334Y
SKBX	CON RF SMB MALE 50 PCB STR	23444-334Y
TR1	TRANS NPN SIL BFR90 15V	28452-167U
TR2	TRANS NPN SIL BFR90 15V	28452-167U
TR3	TRANS PNP SIL BC308 25V	28433-455R
TR4	TRANS NPN SIL BFR90 15V	28452-167U
TR5	TRANS PNP SIL BC308 25V	28433-455R
TR6	TRANS NPN SIL BFR90 15V	28452-167U
TR7	TRANS NPN SIL BFR90 15V	28452-167U
TR8	TRANS NPN SIL BFR90 15V	28452-167U
TR9	TRANS NPN SIL ZTX109CL 20V	28452-771P
TR10	TRANS PNP SIL BC308 25V	28433-455R
TR11	TRANS PNP SIL BC308 25V	28433-455R
TR12	TRANS NPN SIL 2N2369 15V	28452-197H
TR13	TRANS PNP SIL BFR99 25V	28433-336F
TR14	TRANS NPN SIL ZTX109CL 20V	28452-771P
TR15	TRANS NPN SIL ZTX109CL 20V	28452-771P
TR16	TRANS NPN SIL ZTX109CL 20V	28452-771P

Circuit Ref	Description	Part Number
Unit AB3	- OSCILLATORS BOARD	
13. When ordering, prefix circuit reference with AB3		
	Complete unit	44828-431T
C1	CAP CER 100PF 63V 2% PLATE	26343-477V
C2	CAP ELEC .47UF 50V 20% SUB MIN	26421-104C
C3	CAP CER 2.7PF 50V .5PF CHIP	26343-756W
C4	CAP CER 22PF 50V 5% CHIP	26343-766R
C5	CAP CER 33PF 50V 5% CHIP	26343-760D
C6	CAP CER 33PF 50V 5% CHIP	26343-760D
C7	CAP CER .001UF 63V 10% PLATE	26383-585M
C8	CAP ELEC .47UF 63V 10% BEAD	26582-427L
C9	CAP CER .01UF 50V 20% CHIP	26386-754K
C10	CAP CER .01UF 50V 20% CHIP	26386-754K
C11	CAP CER .001UF 63V 10% PLATE	26383-602E
C12	CAP CER 33PF 50V 5% CHIP	26343-760D
C13	CAP CER 22PF 50V 5% CHIP	26343-766R
C14	CAP CER 22PF 50V 5% CHIP	26343-766R
C15	CAP CER .001UF 63V 10% PLATE	26383-585M
C16	CAP CER .001UF 63V 10% PLATE	26383-585M
C18	CAP CER .039UF 50V 20% CHIP	26386-493F
C19	CAP CER 2.2PF 50V .5PF CHIP	26343-786V
C20	CAP CER 5.6PF 50V .5PF CHIP	26343-759P
C21	CAP CER 68PF 50V 5% CHIP	26343-784F
C22	CAP CER 47PF 50V 5% CHIP	26343-785G
C23	CAP CER 47PF 50V 5% CHIP	26343-785G
C24	CAP CER .001UF 63V 10% PLATE	26383-602E
C25	CAP CER .01UF 50V 20% CHIP	26386-754K
C26	CAP CER .01UF 50V 20% CHIP	26386-754K
C27	CAP CER .001UF 63V 10% PLATE	26383-585M
C28	CAP CER 22PF 50V 5% CHIP	26343-781N
C29	CAP CER 22PF 50V 5% CHIP	26343-766R
C30	CAP CER 33PF 50V 5% CHIP	26343-777N
C31	CAP CER 3.3PF 50V .5PF PLATE	26343-757D
C32	CAP CER .039UF 50V 20% CHIP	26386-493F
C33	CAP CER .001UF 63V 10% PLATE	26383-585M
C37	CAP ELEC .47UF 50V 20% SUB MIN	26421-104C
D1	DIODE VAR CAP BB809 3V 29PF	28381-132G
D3	DIODE SIL BA482 35V JUNC	28335-675R
D4	DIODE SIL BA482 35V JUNC	28335-675R
D6	DIODE VAR CAP BB809 3V 29PF	28381-132G
D7	DIODE VAR CAP BB809 3V 29PF	28381-132G
D9	DIODE VAR CAP BB405B 3V 11.5PF	28381-101V

Circuit Ref	Description	Part Number
Unit AB3	- OSCILLATORS BOARD	(Contd.)
D10	DIODE SIL BA482 35V JUNC	28335-675R
D11	DIODE SIL BA482 35V JUNC	28335-675R
D12	DIODE SIL BA482 35V JUNC	28335-675R
D13	DIODE VAR CAP BB809 3V 29PF	28381-132G
D15	DIODE SIL 1N4148 100V JUNC	28336-676J
L1	RF COIL 10UH 4T	44290-805W
L2	RF COIL 10UH 4T	44290-805W
L3	PRINTED COIL	44290-805W
L4	PRINTED COIL	
L5	RF COIL 10UH 4T	44290-805W
L6	RF COIL 10UH 4T	44290-805W
L7	RF COIL 10UH 4T	44290-805W
L8	RF COIL 10UH 4T	44290-805W
L9	PRINTED COIL	44290-805W
L10	PRINTED COIL	
L11	RF COIL 10UH 4T	44290-805W
L12	RF COIL 10UH 4T	44290-805W
R1	RES MF 50R 1/4W 0.25%	24723-388Y
R2	RES MF 5K6 1/4W 2%	24773-291S
R3	RES MF 470R 1/4W 2%	24773-265M
R4	RES CHIP 22R 5%	24681-044U
R5	RES MF 330R 1/4W 2%	24773-261D
R6	RES MF 100R 1/4W 2%	24773-249J
R7	RES MF 10K 1/4W 2%	24773-297M
R8	RES MF 10K 1/4W 2%	24773-297M
R9	RES CHIP 22R 5%	24681-044U
R10	RES MF 330R 1/4W 2%	24773-261D
R11	RES MF 100R 1/4W 2%	24773-249J
R12	RES MF 100R 1/4W 2%	24773-249J
R13	RES MF 10K 1/4W 2%	24773-297M
R14	RES MF 200R 1/4W 2%	24773-256S
R15	RES MF 470R 1/4W 2%	24773-265M
R16	RES MF 620R 1/4W 2%	24773-268B
R17	RES CC 33R 1/8W 5%	24331-978J
R18	RES MF 250R 1/4W 0.25%	24723-389N
R19	RES CHIP 22R 5%	24681-044U
R20	RES MF 330R 1/4W 2%	24773-261D
R21	RES MF 100R 1/4W 2%	24773-249J
R22	RES MF 10K 1/4W 2%	24773-297M
R23	RES MF 10K 1/4W 2%	24773-297M
R24	RES CHIP 16R 5%	24681-043E
R25	RES MF 330R 1/4W 2%	24773-261D
R26	RES MF 100R 1/4W 2%	24773-249J

Circuit Ref	Description	Part Number
Unit AB3	- OSCILLATORS BOARD	(Contd.)
R27	RES MF 820R 1/4W 2%	24773-271B
R28	RES CC 51R 1/8W 5%	24331-989P
R29	RES CHIP 10R 5%	24681-042H
R30	RES CHIP 10R 5%	24681-042H
R31	RES CHIP 10R 5%	24681-042H
R32	RES CHIP 10R 5%	24681-042H
R35	RES MF 100R 1/4W 2%	24773-249J
R36	RES CC 100R 1/8W 5%	24331-997B
TR1	TRANS FET 2N4858 40V	28459-037F
TR2	TRANS NPN SIL BFR91A 12V	28451-694H
TR4	TRANS NPN SIL BFR91A 12V	28451-694H
TR6	TRANS NPN SIL BFR90 15V	28452-167U
TR7	TRANS NPN SIL BFR91A12V	28451-694H
TR9	TRANS NPN SIL BFR91A 12V	28451-694H
TR11	TRANS NPN SIL BFR90 15V	28452-167U

Unit AB4 - O/P PHASE DETECTOR

14. When ordering, prefix circuit reference with AB4

	Complete unit	44828-432P
C1	CAP ELEC 4.7UF 35V 20% SUB MIN	26421-108A
C2	CAP ELEC 22UF 25V 20% SUB MIN	26421-141E
C3	CAP ELEC 4.7UF 35V 20% SUB MIN	26421-108A
C4	CAP CER 0.01UF 100V 20% DISC	26383-055L
C5	CAP CER 0.01UF 100V 20% DISC	26383-055L
C6	CAP CER 0.01UF 100V 20% DISC	26383-055L
C7	CAP CER 0.01UF 100V 20% DISC	26383-055L
C8	CAP CER 0.01UF 100V 20% DISC	26383-055L
C9	CAP CER 0.01UF 100V 20% DISC	26383-055L
C10	CAP CER 0.01UF 100V 20% DISC	26383-055L
C11	CAP CER 0.01UF 100V 20% DISC	26383-055L
C12	CAP CER 0.01UF 100V 20% DISC	26383-055L
C13	CAP PETP 0.68UF 100V 10%	26582-216E
C14	CAP PETP 5.6UF 63V 10%	26582-423E
C15	CAP ELEC 4.7UF 35V 20% SUB MIN	26421-108A
C16	CAP CER 47PF 63V 5% PLATE	26343-473L
C17	CAP CER 0.01UF 100V 20% DISC	26383-055L
C18	CAP CER 0.01UF 100V 20% DISC	26383-055L

Circuit Ref	Description	Part Number
Unit AB4	- O/P PHASE DETECTOR	(Contd.)
C19	CAP CER 0.01UF 100V 20% DISC	26383-055L
C20	CAP ELEC 4.7UF 35V 20% SUB MIN	26421-108A
C21	CAP CER 0.01UF 100V 20% DISC	26383-055L
C22	CAP CER 0.01UF 100V 20% DISC	26383-055L
C23	CAP CER 220PF 63V 2% PLATE	26343-481S
C24	CAP CER 220PF 63V 2% PLATE	26343-481S
C25	CAP CER 220PF 63V 2% PLATE	26343-481S
C26	CAP CER 47PF 63V 5% PLATE	26343-473L
C27	CAP ELEC 22UF 25V 20% SUB MIN	26421-114E
D1	DIODE ZENER BZX79C6V2 6.2V 5%	28371-481D
D2	DIODE ZENER BZX79C6V2 6.2V 5%	28371-481D
D3	DIODE ZENER BZY79C6V2 6.2V 5%	28371-481D
D4	DIODE ZENER BZY79C6V2 6.2V 5%	28371-481D
IC1	ICD FF D 74LS74 DUAL +EDG TR	28462-611A
IC2	ICA VREG- LM304H PROG OA025	28461-723R
IC3	ICD CTR 74LS390 DUAL 4BIT DEC	28464-127R
IC4	ICD AND/OR 74LS51 DUAL 2-3INP	28466-454N
IC5	ICD FF D 74LS74 DUAL +EDG TR	28462-611A
IC6	ICD NAND 74LS00 QUAD 2INP	28466-345H
IC7	ICA VREG+ LM376N PROG OA045	28461-725K
PLBY	CON PART PCB POST SQUARE PIN	23435-188V
PLBZ	CON PART PCB POST SQUARE PIN	23435-188V
PLCB	CON PART PCB POST SQUARE PIN	23435-188V
PLCC	CON PART PCB POST SQUARE PIN	23435-188V
R1	RES MF 820R 1/4W 2%	24773-271B
R2	RES MF 820R 1/4W 2%	24773-271B
R3	RES MF 820R 1/4W 2%	24773-271B
R4	RES MF 820R 1/4W 2%	24773-271B
R5	RES MF 2K4 1/4W 2%	24773-282N
R6	RES MF 5K6 1/4W 2%	24773-291S
R7	RES MF 8.2R 1/4W 2%	24773-223V
R8	RES MF 10K 1/4W 2%	24773-297M
R9	RES MF 62K 1/4W 2%	24773-316Y
R10	RES MF 100K 1/4W 2%	24773-321L
R11	RES MF 4K7 1/4W 2%	24773-289W
R12	RES MF 4K7 1/4W 2%	24773-289W
R13	RES MF 10K 1/4W 2%	24773-297M
R14	RES MF 62K 1/4W 2%	24773-316Y
R15	RES MF 47K 1/4W 2%	24773-313H
R16	RES MF 100K 1/4W 2%	24773-321L
R17	RES MF 1K3 1/4W 2%	24773-276E
R18	RES MF 1K8 1/4W 2%	24773-279N
R19	RES MF 5K6 1/4W 2%	24773-291S
R20	RES MF 430R 1/4W 2%	24773-264X
R21	RES MF 2K0 1/4W 2%	24773-280U
R22	RES MF 100R 1/4W 2%	24773-249J

Circuit Ref	Description	Part Number
Unit AB4	- O/P PHASE DETECTOR	(Contd.)
R23	RES MF 100R 1/4W 2%	24773-249J
R24	RES MF 10K 1/4W 2%	24773-297M
R25	RES MF 4K7 1/4W 2%	24773-289W
R26	RES MF 5K6 1/4W 2%	24773-291S
R27	RES MF 430R 1/4W 2%	24773-264X
R28	RES MF 2K0 1/4W 2%	24773-280U
R29	RES MF 5K6 1/4W 2%	24773-291S
R30	RES MF 430R 1/4W 2%	24773-264X
R31	RES MF 100K 1/4W 2%	24773-321L
R32	RES MF 1K3 1/4W 2%	24773-276E
R33	RES MF 1K8 1/4W 2%	24773-279N
R34	RES MF 1K0 1/4W 2%	24773-273A
R35	RES MF 1K0 1/4W 2%	24773-273A
R36	RES MF 10K 1/4W 2%	24773-297M
R37	RES MF 4K7 1/4W 2%	24773-289W
R38	RES MF 5K6 1/4W 2%	24773-291S
R39	RES MF 430R 1/4W 2%	24773-264X
R40	RES MF 100K 1/4W 2%	24773-321L
R41	RES MF 390R 1/4W 2%	24773-263P
R42	RES MF 3K9 1/4W 2%	24773-287V
R43	RES MF 1K0 1/4W 2%	24773-273A
R44	RES MF 4K7 1/4W 2%	24773-289W
R45	RES MF 8R2 1/4W 2%	24773-223V
R46	RES MF 12K 1/4W 2%	24773-299R
R47	RES MF 2K2 1/4W 2%	24773-281Y
R49	RES MF 1M0 1/4W 2%	24773-346E
R50	RES MF 10K 1/4W 2%	24773-297M
R51	RES MF 10K 1/4W 2%	24773-297M
R52	RES MF 10K 1/4W 2%	24773-297M
R53	RES MF 10K 1/4W 2%	24773-297M
R54	RES MF 100R 1/4W 2%	24773-249J
TR1	TRANS PNP SIL BC307A 45V	28435-227H
TR2	TRANS PNP SIL BC307A 45V	28435-227H
TR3	TRANS PNP SIL BC307A 45V	28435-227H
TR4	TRANS PNP SIL BC307A 45V	28435-227H
TR9	TRANS PNP SIL BC307A 45V	28435-227H
TR10	TRANS PNP SIL BC307A 45V	28435-227H
TR11	TRANS NPN SIL BC237A 45V	28455-421X
TR12	TRANS NPN SIL BC237A 45V	28455-421X
TR13	TRANS PNP SIL BC307A 45V	28435-227H
TR14	TRANS PNP SIL BC307A 45V	28435-227H
TR15	TRANS PNP SIL BC307A 45V	28435-227H
TR16	TRANS NPN SIL BC237A 45V	28455-421X
TR17	TRANS NPN SIL BC237A 45V	28455-421X

Circuit Ref	Description	Part Number
Unit AB4	- O/P PHASE DETECTOR	(Contd.)
TR18	TRANS NPN SIL BC237A 45V	28455-421X
TR19	TRANS PNP SIL BC307A 45V	28435-227H
TR20	TRANS PNP SIL BC307A 45V	28435-227H
TR21	TRANS PNP SIL BC307A 45V	28435-227H
TR22	TRANS NPN SIL BC237A 45V	28455-421X
TR23	TRANS NPN SIL BC237A 45V	28455-421X
TR24	TRANS FET J310 25V	28459-028E
TR25	TRANS FET J310 25V	28459-028E
TR26	TRANS FET J310 25V	28459-028E
TR27	TRANS NPN BC237A 45V	28455-421X
TR28	TRANS NPN BC237A 45V	28455-421X
TR29	TRANS NPN BC237A 45V	28455-421X
TR30	TRANS NPN BC237A 45V	28455-421X

Unit AB5 - VCXO LOOP

15. When ordering, prefix circuit reference with AB5

Complete unit		44828-433X
C1	CAP PETP 1.0UF 100V 10%	26582-217U
C2	CAP PETP 0.22UF 100V 10%	26582-226G
C3	CAP PS 100PF 350V 2PF	26516-243J
C4	CAP PS 100PF 350V 2PF	26516-243J
C5	CAP CER 0.01UF 100V 20% DISC	26383-055L
C6	CAP CER 0.01UF 100V 20% DISC	26383-055L
C7	CAP CER 0.01UF 100V 20% DISC	26383-055L
C8	CAP CER 0.01UF 100V 20% DISC	26383-055L
C9	CAP CER 0.01UF 100V 20% DISC	26383-055L
C10	CAP CER 0.01UF 100V 20% DISC	26383-055L
C11	CAP CER .001UF 63V 10% PLATE	26383-585M
C12	CAP CER 0.01UF 100V 20% DISC	26383-055L
C13	CAP CER 0.01UF 100V 20% DISC	26383-055L
C14	CAP CER 0.01UF 100V 20% DISC	26383-055L
C15	CAP CER 0.01UF 100V 20% DISC	26383-055L
C17	CAP PETP 0.22UF 100V 10%	26582-226G
C18	CAP CER 0.01UF 100V 20% DISC	26383-055L
C19	CAP CER .001UF 63V 10% PLATE	26383-585M
C20	CAP PETP 0.01UF 63V 10% RAD MIN	26582-426M
C21	CAP CER 0.01UF 100V 20% DISC	26383-055L
C22	CAP CER 0.01UF 100V 20% DISC	26383-055L
C23	CAP CER 0.01UF 100V 20% DISC	26383-055L

Circuit Ref	Description	Part Number
Unit AB5	- VCXO LOOP	(Contd.)
C24	CAP PS 100PF 350V 2PF	26516-243J
C25	CAP PETP 0.01UF 63V 10% RAD MIN	26582-426M
C26	CAP CER .001UF 63V 10% PLATE	26383-585M
C27	CAP CER 47PF 63V 5% PLATE	26343-473L
D1	DIODE ZENER BZX79C12 12V 5%	28372-149G
D2	DIODE VAR CAP BB809 3V 29PF	28381-132G
D3	DIODE HOT CARR 1N5390	28349-005Z
D4	DIODE ZENER BZX79C3V6 3.6V 5%	28371-224H
IC1	ICD NOR 74LS02 QUAD 2INP	28466-214Y
IC2	ICA MOD/DMOD MC1496N BAL DIL14	28461-924X
IC3	ICD CTR 74LS390 DUAL 4BIT DEC	28464-127R
IC4	ICD FF D 74LS74 DUAL +EDG TR	28462-611A
IC5	ICA COMP LM311N DIL8	28461-695U
IC6	ICD NAND 74LS20 DUAL 4INP	28466-347U
IC7	ICA AMP TLO71CP FET I/P DIL8	28461-347A
L1	IND CHOKE 15UH 5%	23642-469A
*L2	IND CHOKE 1.5UH 10%	23642-550Y
PLCD	CON PART PCB POST SQUARE PIN	23435-188V
PLCE	CON PART PCB POST SQUARE PIN	23435-188V
PLCF	CON PART PCB POST SQUARE PIN	23435-188V
R1	RES MF 150R 1/4W 2%	24773-253F
R2	RES MF 10K 1/4W 2%	24773-297M
R3	RES MF 10K 1/4W 2%	24773-297M
R4	RES MF 10K 1/4W 2%	24773-297M
R5	RES MF 1K0 1/4W 2%	24773-273A
R6	RES MF 2K0 1/4W 2%	24773-280U
R7	RES MF 2K0 1/4W 2%	24773-280U
R8	RES MF 2K0 1/4W 2%	24773-280U
R9	RES MF 7K5 1/4W 2%	24773-294T
R10	RES MF 12K 1/4W 2%	24773-299R
R11	RES MF 1K0 1/4W 2%	24773-273A
R12	RES MF 150R 1/4W 2%	24773-253F
R13	RES MF 300R 1/4W 2%	24773-260W
R14	RES MF 3K9 1/4W 2%	24773-287V
R15	RES MF 3K9 1/4W 2%	24773-287V
R16	RES MF 12K 1/4W 2%	24773-299R
R17	RES MF 10K 1/4W 2%	24773-297M
R18	RES MF 2K4 1/4W 2%	24773-282N
R19	RES MF 68R 1/4W 2%	24773-245U
R20	RES MF 1K0 1/4W 2%	24773-273A
R21	RES MF 1K0 1/4W 2%	24773-273A
R22	RES MF 1K5 1/4W 2%	24773-277U
R23	RES MF 1K5 1/4W 2%	24773-277U

Circuit Ref	Description	Part Number
Unit AB5	- VCXO LOOP	(Contd.)
R24	RES MF 8K2 1/4W 2%	24773-295P
R25	RES MF 2K4 1/4W 2%	24773-282N
R26	RES MF 1K0 1/4W 2%	24773-273A
R27	RES MF 1K0 1/4W 2%	24773-273A
R28	RES MF 39K 1/4W 2%	24773-311A
R29	RES MF 8K2 1/4W 2%	24773-295P
R30	RES MF 300R 1/4W 2%	24773-260W
R31	RES MF 300R 1/4W 2%	24773-260W
R33	RES MF 3K9 1/4W 2%	24773-287V
R35	RES MF 2K0 1/4W 2%	24773-280U
R36	RES MF 10K 1/4W 2%	24773-297M
R37	RES MF 10K 1/4W 2%	24773-297M
R38	RES MF 6K8 1/4W 2%	24773-293D
R39	RES MF 1M0 1/4W 2%	24773-346E
TR1	TRANS NPN SIL ZTX109CL 20V	28452-771P
TR2	TRANS NPN SIL ZTX109CL 20V	28452-771P
TR3	TRANS NPN SIL ZTX109CL 20V	28452-771P
TR4	TRANS PNP SIL BC308 25V	28433-455R
TR5	TRANS PNP SIL BC308 25V	28433-455R
TR6	TRANS PNP SIL BC308 25V	28433-455R
TR7	TRANS NPN SIL ZTX109CL 20V	28452-771P
TR8	TRANS NPN SIL ZTX109CL 20V	28452-771P
XL1	CRYSTAL 10.01MHZ FLYING LEADS	28312-072R

Unit AC0 - RF BOX 2 (44990-352S)

16. When ordering, prefix circuit reference with AC0

C1	CAP CER .001UF 300V 20%+ LD/T	26373-733K
C2	CAP CER .001UF 300V 20%+ LD/T	26373-733K
C3	CAP CER .001UF 300V 20%+ LD/T	26373-733K
C4	CAP CER .001UF 300V 20%+ LD/T	26373-733K
C5	CAP CER .001UF 300V 20%+ LD/T	26373-733K
C6	CAP CER .001UF 300V 20%+ LD/T	26373-733K
C7	CAP CER .001UF 300V 20%+ LD/T	26373-733K
C8	CAP CER .001UF 300V 20%+ LD/T	26373-733K
C9	CAP CER .001UF 300V 20%+ LD/T	26373-733K
C10	CAP CER .001UF 300V 20%+ LD/T	26373-733K
C11	CAP CER .001UF 300V 20%+ LD/T	26373-733K

Circuit Ref	Description	Part Number
Unit ACO	- RF BOX 2	(Contd.)
C12	CAP CER .001UF 300V 20%+ LD/T	26373-733K
C13	CAP CER .001UF 300V 20%+ LD/T	26373-733K
C14	CAP CER .001UF 300V 20%+ LD/T	26373-733K
C15	CAP CER .001UF 300V 20%+ LD/T	26373-733K
C16	CAP CER .001UF 300V 20%+ LD/T	26373-733K
C17	CAP CER .001UF 300V 20%+ LD/T	26373-733K
C18	CAP CER .001UF 300V 20%+ LD/T	26373-733K
C19	CAP CER .001UF 300V 20%+ LD/T	26373-733K
C20	CAP CER .001UF 300V 20%+ LD/T	26373-733K
C21	CAP CER .001UF 300V 20%+ LD/T	26373-733K
C22	CAP CER .001UF 300V 20%+ LD/T	26373-733K
C23	CAP CER .001UF 300V 20%+ LD/T	26373-733K
C24	CAP CER .001UF 300V 20%+ LD/T	26373-733K
C25	CAP CER .001UF 300V 20%+ LD/T	26373-733K
C26	CAP CER .001UF 300V 20%+ LD/T	26373-733K
C27	CAP CER .001UF 300V 20%+ LD/T	26373-733K
C28	CAP CER .001UF 300V 20%+ LD/T	26373-733K
C29	CAP CER .001UF 300V 20%+ LD/T	26373-733K
C30	CAP CER .001UF 300V 20%+ LD/T	26373-733K
C31	CAP CER .001UF 300V 20%+ LD/T	26373-733K
C32	CAP CER .001UF 300V 20%+ LD/T	26373-733K
C33	CAP CER .001UF 300V 20%+ LD/T	26373-733K
C34	CAP CER .001UF 300V 20%+ LD/T	26373-733K
C35	CAP CER .001UF 300V 20%+ LD/T	26373-733K
C36	CAP CER .001UF 300V 20%+ LD/T	26373-733K
C37	CAP CER .001UF 300V 20%+ LD/T	26373-733K
C38	CAP CER .001UF 300V 20%+ LD/T	26373-733K
C39	CAP CER .001UF 300V 20%+ LD/T	26373-733K
C40	CAP CER .001UF 300V 20%+ LD/T	26373-733K
C41	CAP CER .001UF 300V 20%+ LD/T	26373-733K
C42	CAP CER .001UF 300V 20%+ LD/T	26373-733K
C43	CAP CER .001UF 300V 20%+ LD/T	26373-733K
C44	CAP CER .001UF 300V 20%+ LD/T	26373-733K
C45	CAP CER .001UF 300V 20%+ LD/T	26373-733K
C46	CAP CER .001UF 300V 20%+ LD/T	26373-733K
C47	CAP CER .001UF 300V 20%+ LD/T	26373-733K
C48	CAP CER .001UF 300V 20%+ LD/T	26373-733K
C49	CAP CER .001UF 300V 20%+ LD/T	26373-733K
C50	CAP CER .001UF 300V 20%+ LD/T	26373-733K
C51	CAP CER .001UF 300V 20%+ LD/T	26373-733K
C52	CAP CER 50PF 300V 10% LD/T	26333-229U
C53	CAP CER .001UF 300V 20%+ LD/T	26373-733K
C54	CAP CER .001UF 300V 20%+ LD/T	26373-733K

Circuit Ref	Description	Part Number
Unit ACO	- RF BOX 2	(Contd.)
L1	IND CHOKE 100UH 10%	23642-561W
L2	IND CHOKE 100UH 10%	23642-561W
L3	IND CHOKE 100UH 10%	23642-561W
L4	IND CHOKE 100UH 10%	23642-561W
L5	IND CHOKE 100UH 10%	23642-561W
L6	IND CHOKE 100UH 10%	23642-561W
L7	IND CHOKE 100UH 10%	23642-561W
L8	IND CHOKE 100UH 10%	23642-561W
L9	IND CHOKE 100UH 10%	23642-561W
L10	IND CHOKE 100UH 10%	23642-561W
L11	IND CHOKE 100UH 10%	23642-561W
L12	IND CHOKE 100UH 10%	23642-561W
L13	IND CHOKE 100UH 10%	23642-561W
L14	IND CHOKE 100UH 10%	23642-561W
L15	IND CHOKE 100UH 10%	23642-561W
L16	IND CHOKE 100UH 10%	23642-561W
L17	IND CHOKE 100UH 10%	23642-561W
L18	IND CHOKE 100UH 10%	23642-561W
L19	IND CHOKE 100UH 10%	23642-561W
L20	IND CHOKE 100UH 10%	23642-561W
L21	IND CHOKE 100UH 10%	23642-561W
L22	IND CHOKE 100UH 10%	23642-561W
L23	IND CHOKE 100UH 10%	23642-561W
L24	IND CHOKE 100UH 10%	23642-561W
L34	IND CHOKE 100UH 10%	23642-561W
PLDE	CONN ASSY PLDE	43129-687T
SKAW	CON RF SMB MALE 50 BKHD SOLDER	23444-331H
SKAX	CON RF SMC MALE 50 BKHD SOLDER	23444-382T
SKCM	CONN ASSY SKCM	43129-680J
SKCN	CONN ASSY SKCN-SKDC	43129-683V
SKCP	CONN ASSY SKCP-SKCZ	43129-682G
SKCR	CONN ASSY SKCR	43129-681F
SKCU	CONN ASSY SKCU	43129-685W
SKCV	CONN ASSY SKCV	43129-686D
SKDA	CONN ASSY SKDA-SKCT-SKCW	43129-684S
SKDD	CONN ASSY SKDD	43129-688P
X3	FERRITE BEAD	41372-006T
X4	FERRITE BEAD	41372-006T
X5	FERRITE BEAD	41372-006T

Circuit Ref	Description	Part Number
Unit AC2	- B.F.O. SYSTEM	
17. When ordering, prefix circuit reference with AC2		
	Complete unit	44828-435C
C1	CAP CER 0.01UF 100V 20% DISC	26383-055L
C2	CAP CER 0.01UF 100V 20% DISC	26383-055L
C3	CAP CER 0.01UF 100V 20% DISC	26383-055L
C4	CAP CER 0.01UF 100V 20% DISC	26383-055L
C5	CAP CER 560PF 63V 10% PLATE	26383-581D
C6	CAP CER 100PF 63V 2% PLATE	26343-477V
C7	CAP CER .001UF 63V 10% PLATE	26383-585M
C8	CAP CER 560PF 63V 10% PLATE	26383-581D
C9	CAP ELEC .47UF 50V 20% SUB MIN	26421-104C
C10	CAP CER 0.01UF 100V 20% DISC	26383-055L
C11	CAP CER 0.01UF 100V 20% DISC	26383-055L
C12	CAP ELEC .47UF 50V 20% SUB MIN	26421-104C
C13	CAP ELEC .47UF 50V 20% SUB MIN	26421-104C
C14	CAP CER 0.01UF 100V 20% DISC	26383-055L
C15	CAP CER 0.01UF 100V 20% DISC	26383-055L
C16	CAP CER 0.01UF 100V 20% DISC	26383-055L
C17	CAP CER 560PF 63V 10% PLATE	26383-581D
C18	CAP CER .001UF 63V 10% PLATE	26383-585M
C19	CAP CER 100PF 63V 2% PLATE	26343-477V
C20	CAP CER 560PF 63V 10% PLATE	26383-581D
C21	CAP ELEC .47UF 50V 20% SUB MIN	26421-104C
C22	CAP ELEC .47UF 50V 20% SUB MIN	26421-104C
C23	CAP ELEC .47UF 50V 20% SUB MIN	26421-104C
D1	DIODE SIL BA482 35V JUNC	28335-675R
D2	DIODE SIL BA482 35V JUNC	28335-675R
L1	IND CHOKE 15UH 10%	23642-556V
L2	IND CHOKE 15UH 10%	23642-556V
L3	IND CHOKE 15UH 10%	23642-556V
L4	IND CHOKE 15UH 10%	23642-556V
L5	IND CHOKE 1000UH 10%	23642-567C
PLCU	CON PART PCB POST SQUARE PIN	23435-188V
PLCV	CON PART PCB POST SQUARE PIN	23435-188V
PLCW	CON PART PCB POST SQUARE PIN	23435-188V

Circuit Ref	Description	Part Number
Unit AC2	- B.F.O. SYSTEM	(Contd.)
R1	RES MF 51R 1/4W 2%	24773-242Z
R2	RES MF 10K 1/4W 2%	24773-297M
R3	RES MF 10K 1/4W 2%	24773-297M
R4	RES MF 270R 1/4W 2%	24773-259T
R5	RES MF 470R 1/4W 2%	24773-265M
R6	RES MF 18R 1/4W 2%	24773-231P
R7	RES MF 10K 1/4W 2%	24773-297M
R8	RES MF 10K 1/4W 2%	24773-297M
R9	RES MF 1K8 1/4W 2%	24773-279N
R10	RES MF 220R 1/4W 2%	24773-257W
R11	RES MF 680R 1/4W 2%	24773-269K
R12	RES MF 51R 1/4W 2%	24773-242Z
R13	RES MF 560R 1/4W 2%	24773-267R
R14	RES MF 62R 1/4W 2%	24773-244E
R15	RES MF 10K 1/4W 2%	24773-297M
R16	RES MF 1K5 1/4W 2%	24773-277U
R17	RES MF 220R 1/4W 2%	24773-257W
R18	RES MF 1K0 1/4W 2%	24773-273A
R19	RES MF 330R 1/4W 2%	24773-261D
R20	RES MF 1K0 1/4W 2%	24773-273A
TR1	TRANS NPN SIL 2N2369 15V	28452-197H
TR2	TRANS NPN SIL 2N2369 15V	28452-197H
TR3	TRANS NPN SIL 2N2369 15V	28452-197H
T1	CORE BEAD .079X.158X.197LG	23635-833X

Circuit Ref	Description	Part Number
-------------	-------------	-------------

Unit AC3 - FILTER BOARD (2018 only)

18. When ordering, prefix circuit reference with AC3

	Complete unit	44828-436R
C1	CAP CER .039UF 50V 20% CHIP	26386-493F
C2	CAP CER 0.01UF 100V 20% DISC	26383-055L
C3	CAP CER .039UF 50V 20% CHIP	26386-493F
C4	CAP CER .039UF 50V 20% CHIP	26386-493F
C5	CAP CER .039UF 50V 20% CHIP	26386-493F
C6	CAP CER .039UF 50V 20% CHIP	26386-493F
C7	CAP CER .039UF 50V 20% CHIP	26386-493F
C8	CAP CER .039UF 50V 20% CHIP	26386-493F
C9	CAP CER .039UF 50V 20% CHIP	26386-493F
C10	CAP CER 0.01UF 100V 20% DISC	26383-055L
C11	CAP CER 0.047UF 25V 20% DISC	26383-017U
C12	CAP CER 0.01UF 100V 20% DISC	26383-055L
C13	CAP CER 0.01UF 100V 20% DISC	26383-055L
C14	CAP CER 0.01UF 100V 20% DISC	26383-055L
C15	CAP CER 0.01UF 100V 20% DISC	26383-055L
C16	CAP CER 0.01UF 100V 20% DISC	26383-055L
C18	CAP CER 0.01UF 100V 20% DISC	26383-055L
C19	CAP CER 0.01UF 100V 20% DISC	26383-055L
C20	CAP CER 8.2PF 63V .5PF PLATE	26343-464Z
C21	CAP CER 12PF 63V 5% PLATE	26343-466E
C22	CAP CER 8.2PF 63V .5PF PLATE	26343-464Z
C23	CAP CER .001UF 63V 10% PLATE	26383-585M
C24	CAP CER .001UF 63V 10% PLATE	26383-585M
C25	CAP CER .001UF 63V 10% PLATE	26383-585M
C26	CAP CER .001UF 63V 10% PLATE	26383-585M
C27	CAP CER .001UF 63V 10% PLATE	26383-585M
C28	CAP CER 6.8PF 63V .5PF PLATE	26343-463A
C29	CAP CER 18PF 63V 5% PLATE	26343-468Y
C30	CAP CER 22PF 63V 5% PLATE	26343-469N
C31	CAP CER 18PF 63V 5% PLATE	26343-468Y
C32	CAP CER 22PF 63V 5% PLATE	26343-469N
C33	CAP CER 33PF 63V 5% PLATE	26343-471Y
C34	CAP CER 22PF 63V 5% PLATE	26343-469N
C35	CAP CER 33PF 63V 5% PLATE	26343-471Y
C36	CAP CER 47PF 63V 5% PLATE	26343-473L
C37	CAP CER 33PF 63V 5% PLATE	26343-471Y
C38	CAP CER 47PF 63V 5% PLATE	26343-473L
C39	CAP CER 68PF 63V 2% PLATE	26343-475F
C40	CAP CER 47PF 63V 5% PLATE	26343-473L
C41	CAP CER 68PF 63V 2% PLATE	26343-475F

Circuit Ref	Description	Part Number
Unit AC3	- FILTER BOARD	(Contd.)
C42	CAP CER 100PF 63V 2% PLATE	26343-477V
C43	CAP CER 68PF 63V 2% PLATE	26343-475F
C44	CAP CER 82PF 63V 2% PLATE	26343-476G
C45	CAP CER 150PF 63V 2% PLATE	26343-479W
C46	CAP CER 82PF 63V 2% PLATE	26343-476G
C47	CAP CER .001UF 63V 10% PLATE	26383-585M
C48	CAP CER .001UF 63V 10% PLATE	26383-585M
C49	CAP CER .001UF 63V 10% PLATE	26383-585M
C50	CAP CER .001UF 63V 10% PLATE	26383-585M
C51	CAP CER 12PF 63V 5% PLATE	26343-466E
C52	CAP CER 18PF 63V 5% PLATE	26343-498E
C53	CAP CER 12PF 63V 5% PLATE	26343-466E
C54	CAP CER .001UF 63V 10% PLATE	26383-585M
C55	CAP CER 1.8PF 63V .5PF PLATE	26343-456C
C56	CAP CER .001UF 63V 10% PLATE	26383-585M
C58	CAP CER .001UF 63V 10% PLATE	26383-585M
C59	CAP CER 0.01UF 100V 20% DISC	26383-055L
C60	CAP CER 0.01UF 100V 20% DISC	26383-055L
C61	CAP CER 0.01UF 100V 20% DISC	26383-055L
C62	CAP CER 0.01UF 100V 20% DISC	26383-055L
C63	CAP CER 2.2PF 63V .5PF PLATE	26343-457R
C64	CAP CER 100PF 63V 2% PLATE	26343-477V
C65	CAP CER 120PF 63V 2% PLATE	26343-478S
C66	CAP CER 33PF 63V 5% PLATE	26343-471Y
C67	CAP CER 100PF 63V 2% PLATE	26343-477V
C68	CAP CER 22PF 63V 5% PLATE	26343-469N
C69	CAP CER 150PF 63V 2% PLATE	26343-479W
C70	CAP CER 180PF 63V 2% PLATE	26343-480V
C71	CAP CER 150PF 63V 2% PLATE	26343-479W
C72	CAP CER 22PF 63V 5% PLATE	26343-469N
C73	CAP CER 180PF 63V 2% PLATE	26343-480V
C74	CAP CER 270PF 63V 2% PLATE	26343-482W
C75	CAP CER 180PF 63V 2% PLATE	26343-480V
C76	CAP CER 270PF 63V 2% PLATE	26343-482W
C77	CAP CER 390PF 63V 10% PLATE	26383-598Y
C78	CAP CER 270PF 63V 2% PLATE	26343-482W
C79	CAP CER 470PF 63V 10% PLATE	26383-582T
C80	CAP CER 560PF 63V 10% PLATE	26383-581D
C81	CAP CER 470PF 63V 10% PLATE	26383-582T
C82	CAP CER 560PF 63V 10% PLATE	26383-581D
C83	CAP CER 820PF 63V 10% PLATE	26383-584X
C84	CAP CER 47PF 63V 5% PLATE	26343-473L
C85	CAP CER 560PF 63V 10% PLATE	26383-581D

Circuit Ref	Description	Part Number
Unit AC3	- FILTER BOARD	(Contd.)
C86	CAP CER 0.01UF 100V 20% DISC	26383-055L
C87	CAP CER 0.01UF 100V 20% DISC	26383-055L
C88	CAP CER 0.01UF 100V 20% DISC	26383-055L
C89	CAP CER 0.01UF 100V 20% DISC	26383-055L
C90	CAP CER 68PF 63V 2% PLATE	26343-475F
C91	CAP CER 82PF 63V 2% PLATE	26343-476G
C92	CAP CER 68PF 63V 2% PLATE	26343-475F
C93	CAP CER 33PF 63V 5% PLATE	26343-471Y
C94	CAP CER 2.2PF 63V .5PF PLATE	26343-457R
C95	CAP CER 0.01UF 100V 20% DISC	26383-055L
C96	CAP CER 47PF 63V 5% PLATE	26343-473L
C97	CAP CER 68PF 63V 2% PLATE	26343-475F
C98	CAP CER 47PF 63V 5% PLATE	26343-473L
C99	CAP CER 0.01UF 100V 20% DISC	26383-055L
C100	CAP CER 0.01UF 100V 20% DISC	26383-055L
C101	CAP CER .001UF 63V 10% PLATE	26383-585M
C102	CAP ELEC 4.7UF 35V 20% SUB MIN	26421-108A
C103	CAP ELEC 4.7UF 35V 20% SUB MIN	26421-108A
C104	CAP ELEC 4.7UF 35V 20% SUB MIN	26421-108A
C132	CAP CER .001UF 63V 10% PLATE	26383-585M
C144	CAP CER 0.01UF 100V 20% DISC	26383-055L
D1	DIODE SIL BA482 35V JUNC	28335-675R
D2	DIODE SIL BA482 35V JUNC	28335-675R
D3	DIODE SIL 1N4148 100V JUNC	28336-676J
D4	DIODE SIL 1N4148 100V JUNC	28336-676J
D6	DIODE SIL BA482 35V JUNC	28335-675R
D7	DIODE SIL BA482 35V JUNC	28335-675R
D8	DIODE SIL BA482 35V JUNC	28335-675R
D9	DIODE SIL BA482 35V JUNC	28335-675R
D10	DIODE SIL BA482 35V JUNC	28335-675R
D11	DIODE SIL BA482 35V JUNC	28335-675R
D12	DIODE SIL BA482 35V JUNC	28335-675R
D13	DIODE SIL BA482 35V JUNC	28335-675R
D14	DIODE SIL BA482 35V JUNC	28335-675R
D15	DIODE SIL BA482 35V JUNC	28335-675R
D16	DIODE SIL BA482 35V JUNC	28335-675R
D17	DIODE SIL BA482 35V JUNC	28335-675R
D18	DIODE SIL BA482 35V JUNC	28335-675R
D19	DIODE SIL BA482 35V JUNC	28335-675R
D20	DIODE SIL BA482 35V JUNC	28335-675R
D21	DIODE SIL BA482 35V JUNC	28335-675R
D22	DIODE SIL BA482 35V JUNC	28335-675R
D23	DIODE SIL BA482 35V JUNC	28335-675R

Circuit Ref	Description	Part Number
Unit AC3	- FILTER BOARD	(Contd.)
D24	DIODE SIL BA482 35V JUNC	28335-675R
D25	DIODE SIL BA482 35V JUNC	28335-675R
D26	DIODE SIL BA482 35V JUNC	28335-675R
D27	DIODE SIL BA482 35V JUNC	28335-675R
D28	DIODE SIL BA482 35V JUNC	28335-675R
D30	DIODE SIL BA482 35V JUNC	28335-675R
D32	DIODE SIL BA482 35V JUNC	28335-675R
D33	DIODE SIL BA482 35V JUNC	28335-675R
D34	DIODE SIL BA482 35V JUNC	28335-675R
D35	DIODE SIL BA482 35V JUNC	28335-675R
D36	DIODE SIL BA482 35V JUNC	28335-675R
D37	DIODE SIL BA482 35V JUNC	28335-675R
D38	DIODE SIL BA482 35V JUNC	28335-675R
D39	DIODE SIL BA482 35V JUNC	28335-675R
D40	DIODE SIL BA482 35V JUNC	28335-675R
D41	DIODE SIL BA482 35V JUNC	28335-675R
D42	DIODE SIL BA482 35V JUNC	28335-675R
D43	DIODE SIL BA482 35V JUNC	28335-675R
D44	DIODE SIL BA482 35V JUNC	28335-675R
D45	DIODE SIL BA482 35V JUNC	28335-675R
D46	DIODE SIL BA482 35V JUNC	28335-675R
D47	DIODE SIL BA482 35V JUNC	28335-675R
D49	DIODE SIL BA482 35V JUNC	28335-675R
D50	DIODE SIL BA482 35V JUNC	28335-675R
D51	DIODE SIL BA482 35V JUNC	28335-675R
D52	DIODE SIL BA482 35V JUNC	28335-675R
D53	DIODE SIL BA482 35V JUNC	28335-675R
D74	DIODE HOT CARR 1N5390	28349-005Z
D75	DIODE HOT CARR 1N5390	28349-005Z
IC1	ICD DEC/DMX 74LS138 3-8	28465-027F
IC2	ICD FF D 74LS273 OCT +EDG TR	28462-615U
IC3	ICD FF D 74LS273 OCT +EDG TR	28462-615U
IC4	ICD BUFF 7407 HEX 0/C	28469-703X
IC5	ICD INV 7406 HEX 0/C	28469-158A
L1	IND CHOKE 68UH 10%	23642-560S
L2	IND CHOKE 4.7UH 10%	23642-553J
L3	IND CHOKE 68UH 10%	23642-560S
L4	6-HOLE FERRITE, 2.4UH INDUCTOR	23642-908P
L5	6-HOLE FERRITE, 2.4UH INDUCTOR	23642-908P
L6	PRINTED COIL	
L7	PRINTED COIL	
L8	IND CHOKE 4.7UH 10%	23642-553J
L9	IND CHOKE 4.7UH 10%	23642-553J

Circuit Ref	Description	Part Number
Unit AC3	- FILTER BOARD	(Contd.)
L10	IND CHOKE 4.7UH 10%	23642-553J
L11	IND CHOKE 4.7UH 10%	23642-553J
L12	IND CHOKE 4.7UH 10%	23642-553J
L13	ADJ. IND. 30NH 1 3/4 T	44290-799W
L14	ADJ. IND. 30NH 1 3/4 T	44290-799W
L15	ADJ. IND. 43NH 2 1/4 T	44290-800J
L16	ADJ. IND. 43NH 2 1/4 T	44290-800J
L17	ADJ. IND. 61NH 2 3/4 T	44290-801F
L18	ADJ. IND. 61NH 2 3/4 T	44290-801F
L19	ADJ. IND. 86NH 3 3/4 T	44290-802G
L20	ADJ. IND. 86NH 3 3/4 T	44290-802G
L21	ADJ. IND. 121NH 4 3/4 T	44290-803V
L22	ADJ. IND. 121NH 4 3/4 T	44290-803V
L23	ADJ. IND. 172NH 6 3/4 T	44290-804S
L24	ADJ. IND. 172NH 6 3/4 T	44290-804S
L25	IND CHOKE 4.7UH 10%	23642-553J
L26	IND CHOKE 4.7UH 10%	23642-553J
L27	IND CHOKE 4.7UH 10%	23642-553J
L28	IND CHOKE 4.7UH 10%	23642-553J
L30	PRINTED COIL	
L31	PRINTED COIL	
L33	IND CHOKE 4.7UH 10%	23642-553J
L34	IND CHOKE 4.7UH 10%	23642-553J
L36	IND CHOKE 4.7UH 10%	23642-553J
L37	IND CHOKE 68UH 10%	23642-560S
L38	IND CHOKE 68UH 10%	23642-560S
L39	IND CHOKE 68UH 10%	23642-560S
L40	IND CHOKE 68UH 10%	23642-560S
L41	IND CHOKE 1.8UH 5%	23642-495X
L42	IND CHOKE 1.8UH 5%	23642-495X
L43	IND CHOKE 3.0UH 5%	23642-474H
L44	IND CHOKE 3.0UH 5%	23642-474H
L45	IND CHOKE 4.3UH 5%	23642-466R
L46	IND CHOKE 4.3UH 5%	23642-466R
L47	IND CHOKE 6.2UH 5%	23642-455S
L48	IND CHOKE 6.2UH 5%	23642-455S
L49	IND CHOKE 8.2UH 5%	23642-468K
L50	IND CHOKE 8.2UH 5%	23642-468K
L51	IND CHOKE 12UH 5%	23642-456W
L52	IND CHOKE 12UH 5%	23642-456W
L53	IND CHOKE 68UH 10%	23642-560S
L54	IND CHOKE 68UH 10%	23642-560S
L55	IND CHOKE 68UH 10%	23642-560S

Circuit Ref	Description	Part Number
Unit AC3	- FILTER BOARD	(Contd.)
L56	IND CHOKE 68UH 10%	23642-560S
L57	IND CHOKE 68UH 10%	23642-560S
L58	IND CHOKE 1.5UH 5%	23642-494P
L59	IND CHOKE 1.5UH 5%	23642-494P
L60	IND CHOKE 68UH 10%	23642-560S
L61	IND CHOKE 68UH 10%	23642-560S
L62	IND CHOKE 68UH 10%	23642-560S
L63	IND CHOKE 0.82UH 5%	23642-454B
L64	IND CHOKE 0.82UH 5%	23642-454B
L65	IND CHOKE 68UH 10%	23642-560S
L66	IND CHOKE 68UH 10%	23642-560S
L90	6-HOLE FERRITE, 2.4UH INDUCTOR	23642-908P
L91	RES. LEAD LENGTH	
L92	RES. LEAD LENGTH	
PLCM	CON PART PCB POST SQUARE PIN	23435-188V
PLCN	CON PART PCB POST SQUARE PIN	23435-188V
PLCP	CON PART PCB POST SQUARE PIN	23435-188V
PLCR	CON PART PCB POST SQUARE PIN	23435-188V
PLCT	CON PART PCB POST SQUARE PIN	23435-188V
PLDF	CONN ASSY	43129-537Y
R1	RES MF 360R 1/4W 2%	24773-262T
R2	RES MF 1K0 1/4W 2%	24773-273A
R3	RES MF 470R 1/4W 2%	24773-265M
R4	RES MF 3K0 1/4W 2%	24773-284J
R5	RES MF 3K0 1/4W 2%	24773-284J
R6	RES MF 75R 1/4W 2%	24773-246Y
R7	RES MF 1K5 1/4W 2%	24773-277U
R8	RES CC 150R 1/8W 5%	24331-990D
R9	RES CC 150R 1/8W 5%	24331-990D
R10	RES CHIP 16R 5%	24681-043E
R11	RES CHIP 16R 5%	24681-043E
R12	RES MF 51R 1/4W 2%	24773-242Z
R13	RES MF 51R 1/4W 2%	24773-242Z
R14	RES MF 6K8 1/4W 2%	24773-293D
R15	RES MF 6K8 1/4W 2%	24773-293D
R16	RES MF 200R 1/4W 2%	24773-256S
R17	RES MF 820R 1/4W 2%	24773-271B
R18	RES MF 75R 1/4W 2%	24773-246Y
R19	RES MF 2K4 1/4W 2%	24773-282N
R20	RES MF 820R 1/4W 2%	24773-271B
R21	RES MF 820R 1/4W 2%	24773-271B
R22	RES MF 3K9 1/4W 2%	24773-287V

Circuit Ref	Description	Part Number
Unit AC3	- FILTER BOARD	(Contd.)
R23	RES MF 360R 1/4W 2%	24773-262T
R24	RES MF 470R 1/4W 2%	24773-265M
R25	RES MF 5K6 1/4W 2%	24773-291S
R26	RES MF 300R 1/4W 2%	24773-260W
R27	RES MF 300R 1/4W 2%	24773-260W
R28	RES MF 6K8 1/4W 2%	24773-293D
R29	RES MF 270R 1/4W 2%	24773-259T
R30	RES MF 240R 1/4W 2%	24773-258D
R31	RES MF 10K 1/4W 2%	24773-297M
R32	RES MF 240R 1/4W 2%	24773-258D
R33	RES MF 1K0 1/4W 2%	24773-273A
R34	RES MF 470R 1/4W 2%	24773-265M
R35	RES MF 1K5 1/4W 2%	24773-277U
R36	RES MF 470R 1/4W 2%	24773-265M
R37	RES MF 1K0 1/4W 2%	24773-273A
R38	RES MF 470R 1/4W 2%	24773-265M
R39	RES MF 1K0 1/4W 2%	24773-273A
R40	RES MF 470R 1/4W 2%	24773-265M
R42	RES MF 470R 1/4W 2%	24773-265M
R43	RES MF 680R 1/4W 2%	24773-269K
R44	RES MF 680R 1/4W 2%	24773-269K
R45	RES MF 680R 1/4W 2%	24773-269K
R46	RES MF 680R 1/4W 2%	24773-269K
R47	RES MF 1K0 1/4W 2%	24773-273A
R48	RES MF 470R 1/4W 2%	24773-265M
R50	RES MF 470R 1/4W 2%	24773-265M
R51	RES MF 1K0 1/4W 2%	24773-273A
R52	RES MF 470R 1/4W 2%	24773-265M
R53	RES MF 1K0 1/4W 2%	24773-273A
R54	RES MF 1K5 1/4W 2%	24773-277U
R55	RES MF 470R 1/4W 2%	24773-265M
R56	RES MF 470R 1/4W 2%	24773-265M
R57	RES MF 470R 1/4W 2%	24773-265M
R92	RES MF 1K0 1/4W 2%	24773-273A
R93	RES MF 470R 1/4W 2%	24773-265M
SKCS	CON RF SMB MALE 50 PCB STR	23444-334Y
TR1	TRANS NPN SIL BFR96S 15V	28452-172N
TR2	TRANS NPN SIL BFR96S 15V	28452-172N
TR3	TRANS NPN SIL 2N2369 15V	28452-197H

Circuit Ref	Description	Part Number
Unit AC4 - OUTPUT AMPLIFIER		
19. When ordering, prefix circuit reference with AC4		
	Complete unit	44828-439A
C1	CAP CER .039UF 50V 20% CHIP	26386-493F
C2	CAP ELEC 4.7UF 35V 20% SUB MIN	26421-108A
C3	CAP CER .001UF 63V 10% PLATE	26383-585M
C4	CAP CER .039UF 50V 20% CHIP	26386-493F
C5	CAP CER .039UF 50V 20% CHIP	26386-493F
C6	CAP CER 2.2PF 63V .5PF PLATE	26343-491C
C7	CAP CER 100PF 63V 2% PLATE	26343-477V
C8	CAP CER .039UF 50V 20% CHIP	26386-493F
C9	CAP ELEC 4.7UF 35V 20% SUB MIN	26421-108A
C10	CAP CER .001UF 63V 10% PLATE	26383-585M
C11	CAP CER .039UF 50V 20% CHIP	26386-493F
C12	CAP CER .039UF 50V 20% CHIP	26386-493F
C13	CAP CER 2.2PF 63V .5PF PLATE	26343-491C
C14	CAP CER 100PF 63V 2% PLATE	26343-477V
C15	CAP CER 4.7PF 63V .5PF PLATE	26343-485P
C16	CAP CER .001UF 63V 10% PLATE	26383-585M
C17	CAP ELEC 4.7UF 35V 20% SUB MIN	26421-108A
C18	CAP ELEC .47UF 50V 20% SUB MIN	26421-104C
C19	CAP CER .039UF 50V 20% CHIP	26386-493F
C20	CAP CER .039UF 50V 20% CHIP	26386-493F
C21	CAP CER 1.8PF 63V .5PF PLATE	26343-490M
C22	CAP CER .039UF 50V 20% CHIP	26386-493F
C23	CAP CER 10PF 50V 5% CHIP	26343-767B
C24	CAP CER 100PF 63V 2% PLATE	26343-477V
C25	CAP ELEC 4.7UF 35V 20% SUB MIN	26421-108A
C26	CAP ELEC .47UF 50V 20% SUB MIN	26421-104C
C27	CAP CER 4.7PF 63V .5PF PLATE	26343-485P
C28	CAP CER 4.7PF 63V .5PF PLATE	26343-485P
C29	CAP ELEC 4.7UF 35V 20% SUB MIN	26421-108A
C30	CAP CER .1UF 50V 20%+ CHIP	26386-496S
C31	CAP CER 4.7PF 63V .5PF PLATE	26343-485P
C32	CAP CER 4.7PF 63V .5PF PLATE	26343-485P
C33	CAP CER .01UF 100V 20% CHIP	26386-494G
C34	CAP CER .01UF 100V 20% CHIP	26386-494G
C35	CAP CER 0.01UF 100V 20% DISC	26383-055L
C36	CAP ELEC .47UF 50V 20% SUB MIN	26421-104C
C37	CAP ELEC .47UF 35V 20% SUB MIN	26421-104C
C38	CAP CER 0.01UF 100V 20% DISC	26383-055L
C39	CAP ELEC .47UF 50V 20% SUB MIN	26421-104C
C40	CAP CER 0.01UF 100V 20% DISC	26383-055L

Circuit Ref	Description	Part Number
Unit AC4	- OUTPUT AMPLIFIER	(Contd.)
C41	CAP CER 0.01UF 100V 20% DISC	26383-055L
C42	CAP ELEC .47UF 50V 20% SUB MIN	26421-104C
C43	CAP CER 0.01UF 100V 20% DISC	26383-055L
C44	CAP CER 0.01UF 100V 20% DISC	26383-055L
C45	CAP ELEC .47UF 50V 20% SUB MIN	26421-104C
C46	CAP CER 0.01UF 100V 20% DISC	26383-055L
C47	CAP PETP 0.1UF 100V 10%	26582-211B
C48	CAP CER .001UF 63V 10% PLATE	26383-585M
C49	CAP ELEC 4.7UF 35V 20% SUB MIN	26421-108A
C50	CAP ELEC 4.7UF 35V 20% SUB MIN	26421-108A
C51	CAP ELEC 4.7UF 35V 20% SUB MIN	26421-108A
C52	CAP CER 0.01UF 100V 20% DISC	26383-055L
C53	CAP CER 0.01UF 100V 20% DISC	26383-055L
C54	CAP CER 0.01UF 100V 20% DISC	26383-055L
C55	CAP CER 0.01UF 100V 20% DISC	26383-055L
C56	CAP CER 0.01UF 100V 20% DISC	26383-055L
C57	CAP CER 0.01UF 100V 20% DISC	26383-055L
C58	CAP PETP 0.01UF 400V 10%	26582-232W
C59	CAP CER .039UF 50V 20% CHIP	26386-493F
C60	CAP CER .001UF 63V 10% PLATE	26383-585M
C61	CAP CER 2.2PF 63V .5PF PLATE	26343-491C
C62	CAP CER 1.8PF 63V .5PF PLATE	26343-490M
C63	CAP CER 68PF 63V 2% PLATE	26343-475F
C64	CAP CER .001UF 63V 10% PLATE	26383-585M
D1	DIODE SIL 1N4448 75V JUNC	28336-246M
D2	DIODE PIN 5082-3379 50V	28383-997T
D3	DIODE SIL 1N4448 75V JUNC	28336-246M
D4	DIODE PIN 5082-3379 50V	28383-997T
D5	DIODE SIL BA482 35V JUNC	28335-675R
D6	DIODE SIL 1N4448 75V JUNC	28336-246M
D7	DIODE SIL 1N4448 75V JUNC	28336-246M
D8	DIODE SIL 1N4448 75V JUNC	28336-246M
D9	DIODE SIL 1N4448 75V JUNC	28336-246M
D10	DIODE SIL 1N4448 75V JUNC	28336-246M
D11-D13, D16,D17	DIODE HOT CARR HP5082-2826 (Matched set)	44529-105P
D14	DIODE SIL 1N4448 75V JUNC	28336-246M
D15	DIODE SIL 1N4448 75V JUNC	28336-246M
D18	DIODE PIN 5082-3379 50V	28383-997T
D19	DIODE PIN 5082-3379 50V	28383-997T
IC1	ICA AMP TL074CN QUAD FET I/P	28461-349H

Circuit Ref	Description	Part Number
Unit AC4	- OUTPUT AMPLIFIER	(Contd.)
R62	RES MF 10K 1/4W 2%	24773-297M
R63	RES MF 1K0 1/4W 2%	24773-273A
R64	RES MF 200R 1/4W 2%	24773-256S
R65	RES MF 3K3 1/4W 2%	24773-285F
R66	RES MF 150R 1/4W 2%	24773-253F
R67	RES MF 51R 1/4W 2%	24773-242Z
R68	RES MF 15K 1/4W 2%	24773-301P
R69	RES MF 30K 1/4W 2%	24773-308A
R70	RES MF 15K 1/4W 2%	24773-301P
R71	RES MF 10K 1/4W 2%	24773-297M
R72	RES MF 3K3 1/4W 2%	24773-285F
R73	RES MF 10K 1/4W 2%	24773-297M
R74	RES MF 68K 1/4W 2%	24773-317N
R75	RES MF 68K 1/4W 2%	24773-317N
R76	RES NET 10K 5% 8DIL DIL	24681-511P
R77	RV CERM 1K0 LIN .5W 10% HORZ	25711-638G
R78	RES MF 2K0 1/4W 2%	24773-280U
R79	RES MF 15K 1/4W 2%	24773-301P
R80	RES MF 2K0 1/4W 2%	24773-280U
R81	RES MF 10K 1/4W 2%	24773-297M
R82	RES MF 1K5 1/4W 2%	24773-277U
R84	RES MF 3K0 1/4W 2%	24773-284J
R85	RES MF 3K3 1/4W 2%	24773-285F
R86	RV CERM 500R LIN .5W 10% HORZ	25711-637F
R87	RES MF 150R 1/4W 2%	24773-253F
R89	RV CERM 50K LIN .5W 10% HORZ	25711-643S
R90	RES MF 22K 1/4W 2%	24773-305R
R91	RES MG 3M3 1/4W 5%	24321-879G
R92	RES MG 3M3 1/4W 5%	24321-879G
R93	RES MF 1K0 1/4W 2%	24773-273A
R94	RES MF 10K 1/4W 2%	24773-297M
R95	RV CERM 10K LIN .5W 10% HORZ	25711-641G
R96	RES MF 8K2 1/4W 2%	24773-295P
R97	RES MF 2K7 1/4W 2%	24773-283L
R98	RES MF 620R 1/4W 2%	24773-268B
SKAY	CONN ASSY SKAY	43129-679G
TR1	TRANS PNP SIL BC308 25V	28433-455R
TR2	TRANS NPN SIL BFR91 12V	28451-696U
TR3	TRANS PNP SIL BC308 25V	28433-455R
TR4	TRANS NPN SIL BFR91 12V	28451-696U
TR5	TRANS PNP SIL BC308 25V	28433-455R
TR6	TRANS NPN SIL ZTX109CL 20V	28452-771P

Circuit Ref	Description	Part Number
Unit AC4	- OUTPUT AMPLIFIER	(Contd.)
IC2	ICD FF D 7474 DUAL +EDG TR	28462-002N
IC3	ICA AMP TLO74CN QUAD FET I/P	28461-349H
IC4	ICA DAC AD7524JN 8BIT	! 28469-400R
IC5	ICD INV 74LS04 HEX	28469-171L
IC6	ICA DAC AD7522LN 10BIT MOS	! 28469-402K
L1	RES. LEAD LENGTH	
L2	PRINTED COIL	
L3	RES. LEAD LENGTH	
L4	PRINTED COIL	
L5	RES. LEAD LENGTH	
L6	6-HOLE FERRITE, 2.4UH INDUCTOR	23642-908P
L7	PRINTED COIL	
L8	IND CHOKE 1000UH 10% .18A	23642-620Y
L9	6-HOLE FERRITE, 2.4UH INDUCTOR	23642-908P
L10	6-HOLE FERRITE, 2.4UH INDUCTOR	23642-908P
L11	IND CHOKE 1000UH 10%	23642-567C
L12	IND CHOKE 1000UH 10%	23642-567C
L13	IND CHOKE 1000UH 10%	23642-567C
PLCS	CONN ASSY	43129-668H
PLCZ	CON PART PCB POST SQUARE PIN	23435-188V
PLDA	CON PART PCB POST SQUARE PIN	23435-188V
R1	RES MF 750R 1/4W 2%	24773-270R
R2	RES MF 10K 1/4W 2%	24773-297M
R3	RES MF 620R 1/4W 2%	24773-268B
R4	RES MF 2K7 1/4W 2%	24773-283L
R5	RES MF 33R 1/4W 2%	24773-237K
R6	RES MF 240R 1/4W 2%	24773-258D
R7	RES CC 200R 1/8W 5%	24331-999A
R8	RES CHIP 16R 5%	24681-043E
R9	RES CHIP 22R 5%	24681-044U
R10	RES MF 750R 1/4W 2%	24773-270R
R11	RES MF 10K 1/4W 2%	24773-297M
R12	RES MF 620R 1/4W 2%	24773-268B
R13	RES MF 620R 1/4W 2%	24773-268B
R14	RES MF 2K7 1/4W 2%	24773-283L
R15	RES MF 33R 1/4W 2%	24773-237K
R16	RES MF 240R 1/4W 2%	24773-258D
R17	RES CC 200R 1/8W 5%	24331-999A
R18	RES CHIP 16R 5%	24681-043E

Circuit Ref	Description	Part Number
Unit AC4	- OUTPUT AMPLIFIER	(Contd.)
R19	RES CHIP 22R 5%	24681-044U
R20	RES MF 620R 1/4W 2%	24773-268B
R21	RES MF 620R 1/4W 2%	24773-268B
R22	RES MF 3K3 1/4W 2%	24773-285F
R23	RES MF 10K 1/4W 2%	24773-297M
R24	RES MF 10K 1/4W 2%	24773-297M
R25	RES MF 150R 1/4W 2%	24773-253F
R26	RES CHIP 22R 5%	24681-044U
R27	RES MF 750R 1/4W 2%	24773-270R
R28	RES MF 10K 1/4W 2%	24773-297M
R29	RES MF 2K7 1/4W 2%	24773-283L
R30	RES CC 82R 1/8W 5%	24331-996R
R31	RES MF 22R 1/4W 2%	24773-233M
R32	RES MO 150R 1/2W 2%	24573-053K
R33	RES CHIP 16R 5%	24681-043E
R34	RES CHIP 16R 5%	24681-043E
R35	RES CHIP 16R 5%	24681-043E
R36	RES MF 1K0 1/4W 2%	24773-273A
R37	RES MF 15K 1/4W 2%	24773-301P
R38	RES MF 1K0 1/4W 2%	24773-273A
R39	RES MF 10R 1/4W 2%	24773-225W
R40	RES CHIP 16R 5%	24681-043E
R41	RES CHIP 16R 5%	24681-043E
R42	RES MF 200R 1/4W 2%	24773-256S
R43	RES MG 4M7 1/4W 5%	24321-881F
R44	RES MF 1K0 1/4W 2%	24773-273A
R45	RES MG 4M7 1/4W 5%	24321-881F
R46	RES MG 4M7 1/4W 5%	24321-881F
R47	RES MF 50R0 1/4W 1% N-I	24762-558R
R48	RES MF 10K 1/4W 2%	24773-297M
R49	RES MF 200R 1/4W 2%	24773-256S
R50	RES MF 10K 1/4W 2%	24773-297M
R51	RES MF 820R 1/4W 2%	24773-271B
R52	RES MF 27R 1/4W 2%	24773-235R
R53	RES MF 100K 1/4W 2%	24773-321L
R54	RES MF 200R 1/4W 2%	24773-256S
R55	RES MF 10K 1/4W 2%	24773-297M
R56	RES MF 10K 1/4W 2%	24773-297M
R57	RES MF 100K 1/4W 2%	24773-321L
R58	RES MF 820R 1/4W 2%	24773-271B
R59	RES MF 27R 1/4W 2%	24773-235R
R60	RES MF 100K 1/4W 2%	24773-321L
R61	RES MF 100K 1/4W 2%	24773-321L

Circuit Ref	Description	Part Number
Unit AC4	- OUTPUT AMPLIFIER	(Contd.)
TR7	TRANS PNP SIL BC308 25V	28433-455R
TR8	TRANS NPN SIL BFR96 15V	28452-171Y
TR9	TRANS PNP SIL BC308 25V	28433-455R
TR10	TRANS NPN SIL BFQ34 18V	28452-247V
TR11	TRANS NPN SIL 2N2369 15V	28452-197H
TR12, TR14	TRANS FET J310 25V (MATCHED PAIR)	44529-114K
TR13	TRANS NPN SIL 2N2369 15V	28452-197H
TR15	TRANS NPN SIL 2N2369 15V	28452-197H
TR16	TRANS PNP SIL BC308 25V	28433-455R
TR17	TRANS NPN SIL ZTX109CL 20V	28452-771P
X1	FERRITE BEAD	23635-404Y
Unit AC5	- AMPLITUDE MODULATOR	
20.	When ordering, prefix circuit reference with AC5	
	Complete unit	44828-440B
C1	CAP CER .001UF 63V 10% PLATE	26383-585M
C2	CAP CER .039UF 50V 20% CHIP	26386-493F
C3	CAP CER 0.01UF 100V 20% DISC	26383-055L
C4	CAP CER .039UF 50V 20% CHIP	26386-493F
C5	CAP CER .001UF 63V 10% PLATE	26383-585M
C6	CAP CER 0.01UF 100V 20% DISC	26383-055L
C7	CAP CER .039UF 50V 20% CHIP	26386-493F
C8	CAP CER .039UF 50V 20% CHIP	26386-493F
C9	CAP CER .039UF 50V 20% CHIP	26386-493F
C10	CAP ELEC 4.7UF 35V 20% SUB MIN	26421-108A
C11	CAP ELEC 4.7UF 35V 20% SUB MIN	26421-108A
C12	CAP ELEC 4.7UF 35V 20% SUB MIN	26421-108A
C13	CAP CER 0.01UF 100V 20% DISC	26383-055L
C14	CAP CER 0.01UF 100V 20% DISC	26383-055L
C15	CAP CER 0.01UF 100V 20% DISC	26383-055L
C16	CAP CER 0.01UF 100V 20% DISC	26383-055L
IC1	MOD HYB OM345 VHF/UHF AMP SIL	28461-351Z
IC2	ICD FF D 7474 DUAL +EDG TR	28462-002N
IC3	ICA AMP TLO71CP FET I/P DIL8	28461-347A
IC4	ICA DAC AD7524JN 8BIT	28469-400R
PLDC	CON PART PCB POST SQUARE PIN	23435-188V

Circuit Ref	Description	Part Number
Unit AC5	- AMPLITUDE MODULATOR	(Contd.)
PLDD	CON PART PCB POST SQUARE PIN	23435-188V
R1	RES CC 51R 1/8W 5%	24331-989P
R2	RES CC 270R 1/8W 5%	24331-992P
R3	RES CHIP 16R 5%	24681-043E
R4	RES CC 270R 1/8W 5%	24331-992P
R5	RES MF 330R 1/4W 2%	24773-261D
R6	RES CC 22R 1/8W 5%	24331-988T
R7	RES CC 51R 1/8W 5%	24331-989P
R8	RES MF 5K1 1/4W 2%	24773-290V
R9	RES MF 10K 1/4W 2%	24773-297M
R10	RES MF 240R 1/4W 2%	24773-258D
R11	RES MF 240R 1/4W 2%	24773-258D
R12	RES CHIP 16R 5%	24681-043E
R13	RES MF 3K6 1/4W 2%	24773-286G
R14	RES MF 510R 1/4W 2%	24773-266C
R15	RES MF 330R 1/4W 2%	24773-261D
R16	RES NET 10K 5% 8DIL DIL	24681-511P
R17	RES MF 10K 1/4W 2%	24773-297M
R18	RES MF 3K0 1/4W 2%	24773-284J
R20	RES MF 10K 1/4W 2%	24773-297M
R21	RES MF 18K 1/4W 2%	24773-303M
R22	RES MF 18K 1/4W 2%	24773-303M
R23	RV CERM 500R LIN .5W 10% HORZ	25711-637F
SKDE	CON RF SMB MALE 50 PCB STR	23444-334Y
SKDF	CON RF SMB MALE 50 PCB STR	23444-334Y
TR1	TRANS NPN SIL BFR90 15V	28452-167U
TR2	TRANS PNP SIL BC308 25V	28433-455R
TR3	TRANS NPN SIL ZTX109CL 20V	28452-771P
X1	MIXER SBL1 DOUBLE BAL DIODE	28531-002A
X2	MIXER TFM2 DOUBLE BAL	28531-003Z
Unit AC13	-FILTER & FREQ DOUBLER BOARD (2019 only)	
21.	When ordering, prefix circuit reference with AC13	
	Complete unit	44828-437B
C1	CAP CER .039UF 50V 20% CHIP	26386-493F
C2	CAP CER 0.01UF 100V 20% DISC	26383-055L
C3	CAP CER .039UF 50V 20% CHIP	26386-493F

Circuit Ref	Description	Part Number
Unit AC13	- FILTER & FREQ DOUBLER BOARD	(Contd.)
C4	CAP CER .039UF 50V 20% CHIP	26386-493F
C5	CAP CER .039UF 50V 20% CHIP	26386-493F
C6	CAP CER .039UF 50V 20% CHIP	26386-493F
C7	CAP CER .039UF 50V 20% CHIP	26386-493F
C8	CAP CER .039UF 50V 20% CHIP	26386-493F
C9	CAP CER .039UF 50V 20% CHIP	26386-493F
C10	CAP CER 0.01UF 100V 20% DISC	26383-055L
C11	CAP CER 0.047UF 25V 20% DISC	26383-017U
C12	CAP CER 0.01UF 100V 20% DISC	26383-055L
C13	CAP CER 0.01UF 100V 20% DISC	26383-055L
C14	CAP CER 0.01UF 100V 20% DISC	26383-055L
C15	CAP CER 0.01UF 100V 20% DISC	26383-055L
C16	CAP CER 0.01UF 100V 20% DISC	26383-055L
C18	CAP CER 0.01UF 100V 20% DISC	26383-055L
C19	CAP CER 0.01UF 100V 20% DISC	26383-055L
C20	CAP CER 8.2PF 63V .5PF PLATE	26343-488C
C21	CAP CER 12PF 63V 5% PLATE	26343-497H
C22	CAP CER 8.2PF 63V .5PF PLATE	26343-488C
C23	CAP CER .001UF 63V 10% PLATE	26383-585M
C24	CAP CER .001UF 63V 10% PLATE	26383-585M
C25	CAP CER .001UF 63V 10% PLATE	26383-585M
C26	CAP CER .001UF 63V 10% PLATE	26383-585M
C27	CAP CER .001UF 63V 10% PLATE	26383-585M
C28	CAP CER 6.8PF 63V .5PF PLATE	26343-463A
C29	CAP CER 18PF 63V 5% PLATE	26343-468Y
C30	CAP CER 22PF 63V 5% PLATE	26343-469N
C31	CAP CER 18PF 63V 5% PLATE	26343-468Y
C32	CAP CER 22PF 63V 5% PLATE	26343-469N
C33	CAP CER 33PF 63V 5% PLATE	26343-471Y
C34	CAP CER 22PF 63V 5% PLATE	26343-469N
C35	CAP CER 33PF 63V 5% PLATE	26343-471Y
C36	CAP CER 47PF 63V 5% PLATE	26343-473L
C37	CAP CER 33PF 63V 5% PLATE	26343-471Y
C38	CAP CER 47PF 63V 5% PLATE	26343-473L
C39	CAP CER 68PF 63V 2% PLATE	26343-475F
C40	CAP CER 47PF 63V 5% PLATE	26343-473L
C41	CAP CER 68PF 63V 2% PLATE	26343-475F
C42	CAP CER 100PF 63V 2% PLATE	26343-477V
C43	CAP CER 68PF 63V 2% PLATE	26343-475F
C44	CAP CER 82PF 63V 2% PLATE	26343-476G
C45	CAP CER 150PF 63V 2% PLATE	26343-479W
C46	CAP CER 82PF 63V 2% PLATE	26343-476G
C47	CAP CER .001UF 63V 10% PLATE	26383-585M

Circuit Ref	Description	Part Number
Unit AC13	- FILTER & FREQ DOUBLER BOARD	(Contd.)
C48	CAP CER .001UF 63V 10% PLATE	26383-585M
C49	CAP CER .001UF 63V 10% PLATE	26383-585M
C50	CAP CER .001UF 63V 10% PLATE	26383-585M
C51	CAP CER 12PF 63V 5% PLATE	26343-497H
C52	CAP CER 18PF 63V 5% PLATE	26343-498E
C53	CAP CER 12PF 63V 5% PLATE	26343-497H
C54	CAP CER .001UF 63V 10% PLATE	26383-585M
C55	CAP CER 1.8PF 63V .5PF PLATE	26343-456C
C56	CAP CER .001UF 63V 10% PLATE	26383-585M
C57	CAP CER .001UF 63V 10% PLATE	26383-585M
C58	CAP CER .001UF 63V 10% PLATE	26383-585M
C59	CAP CER 0.01UF 100V 20% DISC	26383-055L
C60	CAP CER 0.01UF 100V 20% DISC	26383-055L
C61	CAP CER 0.01UF 100V 20% DISC	26383-055L
C62	CAP CER 0.01UF 100V 20% DISC	26383-055L
C63	CAP CER 2.2PF 63V .5PF PLATE	26343-457R
C64	CAP CER 100PF 63V 2% PLATE	26343-477V
C65	CAP CER 120PF 63V 2% PLATE	26343-478S
C66	CAP CER 33PF 63V 5% PLATE	26343-471Y
C67	CAP CER 100PF 63V 2% PLATE	26343-477V
C68	CAP CER 22PF 63V 5% PLATE	26343-469N
C69	CAP CER 150PF 63V 2% PLATE	26343-479W
C70	CAP CER 180PF 63V 2% PLATE	26343-480V
C71	CAP CER 150PF 63V 2% PLATE	26343-479W
C72	CAP CER 22PF 63V 5% PLATE	26343-469N
C73	CAP CER 180PF 63V 2% PLATE	26343-480V
C74	CAP CER 270PF 63V 2% PLATE	26343-482W
C75	CAP CER 180PF 63V 2% PLATE	26343-480V
C76	CAP CER 270PF 63V 2% PLATE	26343-482W
C77	CAP CER 390PF 63V 10% PLATE	26383-598Y
C78	CAP CER 270PF 63V 2% PLATE	26343-482W
C79	CAP CER 470PF 63V 10% PLATE	26383-582T
C80	CAP CER 560PF 63V 10% PLATE	26383-581D
C81	CAP CER 470PF 63V 10% PLATE	26383-582T
C82	CAP CER 560PF 63V 10% PLATE	26383-581D
C83	CAP CER 820PF 63V 10% PLATE	26383-584X
C84	CAP CER 47PF 63V 5% PLATE	26343-473L
C85	CAP CER 560PF 63V 10% PLATE	26383-581D
C86	CAP CER 0.01UF 100V 20% DISC	26383-055L
C87	CAP CER 0.01UF 100V 20% DISC	26383-055L
C88	CAP CER 0.01UF 100V 20% DISC	26383-055L
C89	CAP CER 0.01UF 100V 20% DISC	26383-055L
C90	CAP CER 68PF 63V 2% PLATE	26343-475F
C91	CAP CER 82PF 63V 2% PLATE	26343-476G

Circuit Ref	Description	Part Number
Unit AC13	- FILTER & FREQ DOUBLER BOARD	(Contd.)
C92	CAP CER 68PF 63V 2% PLATE	26343-475F
C93	CAP CER 33PF 63V 5% PLATE	26343-471Y
C94	CAP CER 2.2PF 63V .5PF PLATE	26343-457R
C95	CAP CER 0.01UF 100V 20% DISC	26383-055L
C96	CAP CER 47PF 63V 5% PLATE	26343-473L
C97	CAP CER 68PF 63V 2% PLATE	26343-475F
C98	CAP CER 47PF 63V 5% PLATE	26343-473L
C99	CAP CER 0.01UF 100V 20% DISC	26383-055L
C100	CAP CER 0.01UF 100V 20% DISC	26383-055L
C101	CAP CER .001UF 63V 10% PLATE	26383-585M
C102	CAP ELEC 4.7UF 35V 20% SUB MIN	26421-108A
C103	CAP ELEC 4.7UF 35V 20% SUB MIN	26421-108A
C104	CAP ELEC 4.7UF 35V 20% SUB MIN	26421-108A
C106	CAP CER .039UF 50V 20% CHIP	26386-493F
C107	CAP CER .039UF 50V 20% CHIP	26386-493F
C108	CAP CER .039UF 50V 20% CHIP	26386-493F
C109	CAP CER .039UF 50V 20% CHIP	26386-493F
C110	CAP CER .039UF 50V 20% CHIP	26386-493F
C111	CAP CER .001UF 63V 10% PLATE	26383-585M
C112	CAP CER .039UF 50V 20% CHIP	26386-493F
C113	CAP CER 10PF 63V .5PF PLATE	26343-429R
C114	CAP CER .039UF 50V 20% CHIP	26386-493F
C115	CAP CER 2.2PF 63V .5PF PLATE	26343-491C
C116	CAP CER 0.01UF 100V 20% DISC	26383-055L
C117	CAP CER 0.01UF 100V 20% DISC	26383-055L
C118	CAP CER 2.7PF 63V .5PF PLATE	26343-458B
C119	CAP CER 15PF 63V 5% PLATE	26343-467U
C120	CAP CER 8.2PF 63V .5PF PLATE	26343-464Z
C121	CAP CER 1.0PF 63V .5P PLATE	26343-502Z
C122	CAP CER .001UF 63V 10% PLATE	26383-585M
C123	CAP CER 10PF 63V .5PF PLATE	26343-465H
C124	CAP CER 5.6PF 63V .5PF PLATE	26343-462K
C125	CAP CER 1.0PF 63V .5P PLATE	26343-502Z
C126	CAP CER .039UF 50V 20% CHIP	26386-493F
C127	CAP CER .039UF 50V 20% CHIP	26386-493F
C128	CAP CER .001UF 63V 10% PLATE	26383-585M
C129	CAP CER .039UF 50V 20% CHIP	26386-493F
C130	CAP CER .001UF 63V 10% PLATE	26383-585M
C131	CAP CER .039UF 50V 20% CHIP	26386-493F
C132	CAP CER .001UF 63V 10% PLATE	26383-585M
C135	CAP CER 3.3PF 63V .5PF PLATE	26343-459K
C136	UNCL PRINTED CAP	
C137	CAP CER 5.6PF 63V .5PF PLATE	26343-462K

Circuit Ref	Description	Part Number
Unit AC13	- FILTER & FREQ DOUBLER BOARD	(Contd.)
C138	CAP CER 2.7PF 63V .5PF PLATE	26343-458B
C139	CAP CER .001UF 63V 10% PLATE	26383-585M
C140	CAP CER 3.9PF 63V .5PF PLATE	26343-460R
C141	CAP CER 2.2PF 63V .5PF PLATE	26343-457R
C142	CAP CER 0.01UF 100V 20% DISC	26383-055L
C143	CAP CER 0.01UF 100V 20% DISC	26383-055L
C144	CAP CER 0.01UF 100V 20% DISC	26383-055L
C145	CAP CER .001UF 63V 10% PLATE	26383-585M
C146	CAP CER .001UF 63V 10% PLATE	26383-585M
C147	CAP CER .001UF 63V 10% PLATE	26383-585M
C148	CAP CER .001UF 63V 10% PLATE	26383-585M
C149	CAP CER 2.7PF 63V .5PF PLATE	26343-484T
C151	CAP CER 4.7PF 63V .5PF PLATE	26343-461B
C152	CAP CER .001UF 63V 10% PLATE	26383-585M
D1	DIODE SIL BA482 35V JUNC	28335-675R
D2	DIODE SIL BA482 35V JUNC	28335-675R
D3	DIODE SIL 1N4148 100V JUNC	28336-676J
D4	DIODE SIL 1N4148 100V JUNC	28336-676J
D5	DIODE SIL BA482 35V JUNC	28335-675R
D6	DIODE SIL BA482 35V JUNC	28335-675R
D7	DIODE SIL BA482 35V JUNC	28335-675R
D8	DIODE SIL BA482 35V JUNC	28335-675R
D9	DIODE SIL BA482 35V JUNC	28335-675R
D10	DIODE SIL BA482 35V JUNC	28335-675R
D11	DIODE SIL BA482 35V JUNC	28335-675R
D12	DIODE SIL BA482 35V JUNC	28335-675R
D13	DIODE SIL BA482 35V JUNC	28335-675R
D14	DIODE SIL BA482 35V JUNC	28335-675R
D15	DIODE SIL BA482 35V JUNC	28335-675R
D16	DIODE SIL BA482 35V JUNC	28335-675R
D17	DIODE SIL BA482 35V JUNC	28335-675R
D18	DIODE SIL BA482 35V JUNC	28335-675R
D19	DIODE SIL BA482 35V JUNC	28335-675R
D20	DIODE SIL BA482 35V JUNC	28335-675R
D21	DIODE SIL BA482 35V JUNC	28335-675R
D22	DIODE SIL BA482 35V JUNC	28335-675R
D23	DIODE SIL BA482 35V JUNC	28335-675R
D24	DIODE SIL BA482 35V JUNC	28335-675R
D25	DIODE SIL BA482 35V JUNC	28335-675R
D26	DIODE SIL BA482 35V JUNC	28335-675R
D27	DIODE SIL BA482 35V JUNC	28335-675R
D28	DIODE SIL BA482 35V JUNC	28335-675R
D29	DIODE SIL BA482 35V JUNC	28335-675R

Circuit Ref	Description	Part Number
Unit AC13	- FILTER & FREQ DOUBLER BOARD	(Contd.)
D30	DIODE SIL BA482 35V JUNC	28335-675R
D31	DIODE SIL BA482 35V JUNC	28335-675R
D32	DIODE SIL BA482 35V JUNC	28335-675R
D33	DIODE SIL BA482 35V JUNC	28335-675R
D34	DIODE SIL BA482 35V JUNC	28335-675R
D35	DIODE SIL BA482 35V JUNC	28335-675R
D36	DIODE SIL BA482 35V JUNC	28335-675R
D37	DIODE SIL BA482 35V JUNC	28335-675R
D38	DIODE SIL BA482 35V JUNC	28335-675R
D39	DIODE SIL BA482 35V JUNC	28335-675R
D40	DIODE SIL BA482 35V JUNC	28335-675R
D41	DIODE SIL BA482 35V JUNC	28335-675R
D42	DIODE SIL BA482 35V JUNC	28335-675R
D43	DIODE SIL BA482 35V JUNC	28335-675R
D44	DIODE SIL BA482 35V JUNC	28335-675R
D45	DIODE SIL BA482 35V JUNC	28335-675R
D46	DIODE SIL BA482 35V JUNC	28335-675R
D47	DIODE SIL BA482 35V JUNC	28335-675R
D49	DIODE SIL BA482 35V JUNC	28335-675R
D50	DIODE SIL BA482 35V JUNC	28335-675R
D51	DIODE SIL BA482 35V JUNC	28335-675R
D52	DIODE SIL BA482 35V JUNC	28335-675R
D53	DIODE SIL BA482 35V JUNC	28335-675R
D54	DIODE SIL 1N4148 100V JUNC	28336-676J
D55	DIODE 5082-2080	
D56	DIODE 5082-2080 Set of three	44529-058G
D57	DIODE 5082-2080	
D58	DIODE SIL 1N4148 100V JUNC	28336-676J
D59	DIODE SIL BA482 35V JUNC	28335-675R
D60	DIODE SIL BA482 35V JUNC	28335-675R
D61	DIODE SIL BA482 35V JUNC	28335-675R
D62	DIODE SIL BA482 35V JUNC	28335-675R
D63	DIODE SIL 1N4148 100V JUNC	28336-676J
D64	DIODE SIL BA482 35V JUNC	28335-675R
D65	DIODE SIL BA482 35V JUNC	28335-675R
D66	DIODE SIL BA482 35V JUNC	28335-675R
D67	DIODE SIL BA482 35V JUNC	28335-675R
D68	DIODE SIL BA482 35V JUNC	28335-675R
D69	DIODE SIL BA482 35V JUNC	28335-675R
D70	DIODE SIL BA482 35V JUNC	28335-675R
D71	DIODE SIL BA482 35V JUNC	28335-675R
D72	DIODE SIL BA482 35V JUNC	28335-675R
D73	DIODE SIL BA482 35V JUNC	28335-675R

Circuit Ref	Description	Part Number
Unit AC13	- FILTER & FREQ DOUBLER BOARD	(Contd.)
D74	DIODE HOT CARR 1N5390	28349-005Z
D75	DIODE HOT CARR 1N5390	28349-005Z
IC1	ICD DEC/DMX 74LS138 3-8	28465-027F
IC2	ICD FF D 74LS273 OCT +EDG TR	28462-615U
IC3	ICD FF D 74LS273 OCT +EDG TR	28462-615U
IC4	ICD BUFF 7407 HEX O/C	28469-703X
IC5	ICD INV 7406A HEX O/C	28469-158A
IC6	ICD FF D 74LS175 QUAD +EDG TR	28462-614E
IC7	ICD BUFF 7407 HEX O/C	28469-703X
IC8	ICA AMP UA741CN GP DIL8	28461-304T
L1	IND CHOKE 68UH 10%	23642-560S
L2	IND CHOKE 4.7UH 10%	23642-553J
L3	IND CHOKE 68UH 10%	23642-560S
L4	6-HOLE FERRITE, 2.4UH INDUCTOR	23642-908P
L5	6-HOLE FERRITE, 2.4UH INDUCTOR	23642-908P
L6	PRINTED COIL	
L7	PRINTED COIL	
L8	IND CHOKE 4.7UH 10%	23642-553J
L9	IND CHOKE 4.7UH 10%	23642-553J
L10	IND CHOKE 4.7UH 10%	23642-553J
L11	IND CHOKE 4.7UH 10%	23642-553J
L12	IND CHOKE 4.7UH 10%	23642-553J
L13	ADJ. IND. 30NH 1 3/4 T	44290-799W
L14	ADJ. IND. 30NH 1 3/4 T	44290-799W
L15	ADJ. IND. 43NH 2 1/4 T	44290-800J
L16	ADJ. IND. 43NH 2 1/4 T	44290-800J
L17	ADJ. IND. 61NH 2 3/4 T	44290-801F
L18	ADJ. IND. 61NH 2 3/4 T	44290-801F
L19	ADJ. IND. 86NH 3 3/4 T	44290-802G
L20	ADJ. IND. 86NH 3 3/4 T	44290-802G
L21	ADJ. IND. 121NH 4 3/4 T	44290-803V
L22	ADJ. IND. 121NH 4 3/4 T	44290-803V
L23	ADJ. IND. 172NH 6 3/4 T	44290-804S
L24	ADJ. IND. 172NH 6 3/4 T	44290-804S
L25	IND CHOKE 4.7UH 10%	23642-553J
L26	IND CHOKE 4.7UH 10%	23642-553J
L27	IND CHOKE 4.7UH 10%	23642-553J
L28	IND CHOKE 4.7UH 10%	23642-553J
L30	PRINTED COIL	
L31	PRINTED COIL	
L33	IND CHOKE 4.7UH 10%	23642-553J
L34	IND CHOKE 4.7UH 10%	23642-553J
L36	IND CHOKE 4.7UH 10%	23642-553J

Circuit Ref	Description	Part Number
Unit AC13	- FILTER & FREQ DOUBLER BOARD	(Contd.)
L37	IND CHOKE 68UH 10%	23642-560S
L38	IND CHOKE 68UH 10%	23642-560S
L39	IND CHOKE 68UH 10%	23642-560S
L40	IND CHOKE 68UH 10%	23642-560S
L41	IND CHOKE 1.8UH 5%	23642-495X
L42	IND CHOKE 1.8UH 5%	23642-495X
L43	IND CHOKE 3.0UH 5%	23642-474H
L44	IND CHOKE 3.0UH 5%	23642-474H
L45	IND CHOKE 4.3UH 5%	23642-466R
L46	IND CHOKE 4.3UH 5%	23642-466R
L47	IND CHOKE 6.2UH 5%	23642-455S
L48	IND CHOKE 6.2UH 5%	23642-455S
L49	IND CHOKE 8.2UH 5%	23642-468K
L50	IND CHOKE 8.2UH 5%	23642-468K
L51	IND CHOKE 12UH 5%	23642-456W
L52	IND CHOKE 12UH 5%	23642-456W
L53	IND CHOKE 68UH 10%	23642-560S
L54	IND CHOKE 68UH 10%	23642-560S
L55	IND CHOKE 68UH 10%	23642-560S
L56	IND CHOKE 68UH 10%	23642-560S
L57	IND CHOKE 68UH 10%	23642-560S
L58	IND CHOKE 1.5UH 5%	23642-494P
L59	IND CHOKE 1.5UH 5%	23642-494P
L60	IND CHOKE 68UH 10%	23642-560S
L61	IND CHOKE 68UH 10%	23642-560S
L62	IND CHOKE 68UH 10%	23642-560S
L63	IND CHOKE 0.82UH 5%	23642-454B
L64	IND CHOKE 0.82UH 5%	23642-454B
L65	IND CHOKE 68UH 10%	23642-560S
L66	IND CHOKE 68UH 10%	23642-560S
L67	PRINTED COIL	23642-560S
L68	PRINTED COIL	
L69	PRINTED COIL	
L70	RES. LEAD LENGTH	
L72	PRINTED COIL	
L73	PRINTED COIL	
L74	RF COIL 10UH 4T	44290-805W
L75	RF COIL 10UH 4T	44290-805W
L76	RF COIL 10UH 4T	44290-805W
L77	RES. LEAD LENGTH	
L79	PRINTED COIL	
L80	PRINTED COIL	
L83	PRINTED COIL	

Circuit Ref	Description	Part Number
Unit AC13	- FILTER & FREQ DOUBLER BOARD	(Contd.)
L84	PRINTED COIL	
L90	6-HOLE FERRITE, 2.4UH INDUCTOR	23642-908P
L91	RES. LEAD LENGTH	
L92	RES. LEAD LENGTH	
PLCM	CON PART PCB POST SQUARE PIN	23435-188V
PLCN	CON PART PCB POST SQUARE PIN	23435-188V
PLCP	CON PART PCB POST SQUARE PIN	23435-188V
PLCR	CON PART PCB POST SQUARE PIN	23435-188V
PLCT	CON PART PCB POST SQUARE PIN	23435-188V
PLDF	CONN ASSY	43129-537Y
R1	RES MF 360R 1/4W 2%	24773-262T
R2	RES MF 1K0 1/4W 2%	24773-273A
R3	RES MF 470R 1/4W 2%	24773-265M
R4	RES MF 3K0 1/4W 2%	24773-284J
R5	RES MF 3K0 1/4W 2%	24773-284J
R6	RES MF 75R 1/4W 2%	24773-246Y
R7	RES MF 1K5 1/4W 2%	24773-277U
R8	RES CC 150R 1/8W 5%	24331-990D
R9	RES CC 150R 1/8W 5%	24331-990D
R10	RES CHIP 16R 5%	24681-043E
R11	RES CHIP 16R 5%	24681-043E
R12	RES MF 51R 1/4W 2%	24773-242Z
R13	RES MF 51R 1/4W 2%	24773-242Z
R14	RES MF 6K8 1/4W 2%	24773-293D
R15	RES MF 6K8 1/4W 2%	24773-293D
R16	RES MF 200R 1/4W 2%	24773-256S
R17	RES MF 820R 1/4W 2%	24773-271B
R18	RES MF 75R 1/4W 2%	24773-246Y
R19	RES MF 2K4 1/4W 2%	24773-282N
R20	RES MF 820R 1/4W 2%	24773-271B
R21	RES MF 820R 1/4W 2%	24773-271B
R22	RES MF 3K9 1/4W 2%	24773-287V
R23	RES MF 360R 1/4W 2%	24773-262T
R24	RES MF 470R 1/4W 2%	24773-265M
R25	RES MF 5K6 1/4W 2%	24773-291S
R26	RES MF 300R 1/4W 2%	24773-260W
R27	RES MF 300R 1/4W 2%	24773-260W
R28	RES MF 6K8 1/4W 2%	24773-293D
R29	RES MF 270R 1/4W 2%	24773-259T
R30	RES MF 240R 1/4W 2%	24773-258D
R31	RES MF 10K 1/4W 2%	24773-297M
R32	RES MF 240R 1/4W 2%	24773-258D
R33	RES MF 1K0 1/4W 2%	24773-273A

Circuit Ref	Description	Part Number
Unit AC13	- FILTER & FREQ DOUBLER BOARD	(Contd.)
R34	RES MF 470R 1/4W 2%	24773-265M
R35	RES MF 1K5 1/4W 2%	24773-277U
R36	RES MF 470R 1/4W 2%	24773-265M
R37	RES MF 1K0 1/4W 2%	24773-273A
R38	RES MF 470R 1/4W 2%	24773-265M
R39	RES MF 1K0 1/4W 2%	24773-273A
R40	RES MF 470R 1/4W 2%	24773-265M
R41	RES MF 240R 1/4W 2%	24773-258D
R42	RES MF 470R 1/4W 2%	24773-265M
R43	RES MF 680R 1/4W 2%	24773-269K
R44	RES MF 680R 1/4W 2%	24773-269K
R45	RES MF 680R 1/4W 2%	24773-269K
R46	RES MF 680R 1/4W 2%	24773-269K
R47	RES MF 1K0 1/4W 2%	24773-273A
R48	RES MF 470R 1/4W 2%	24773-265M
R50	RES MF 470R 1/4W 2%	24773-265M
R51	RES MF 1K0 1/4W 2%	24773-273A
R52	RES MF 470R 1/4W 2%	24773-265M
R53	RES MF 1K0 1/4W 2%	24773-273A
R54	RES MF 1K5 1/4W 2%	24773-277U
R55	RES MF 470R 1/4W 2%	24773-265M
R56	RES MF 470R 1/4W 2%	24773-265M
R57	RES MF 470R 1/4W 2%	24773-265M
R58	RES MF 10K 1/4W 2%	24773-297M
R59	RES MF 10K 1/4W 2%	24773-297M
R60	RES MF 10K 1/4W 2%	24773-297M
R61	RES MF 10K 1/4W 2%	24773-297M
R62	RES MF 2K7 1/4W 2%	24773-283L
R63	RES MF 680R 1/4W 2%	24773-269K
R64	RES CHIP 51R 5%	24681-045Y
R65	RES CHIP 51R 5%	24681-045Y
R66	RES MF 18R 1/4W 2%	24773-231P
R67	RES MF 470R 1/4W 2%	24773-265M
R68	RES MF 1K0 1/4W 2%	24773-273A
R69	RES CC 51R 1/8W 5%	24331-989P
R70	RES MF 3K9 1/4W 2%	24773-287V
R71	RES MF 680R 1/4W 2%	24773-269K
R72	RES CHIP 16R 5%	24681-043E
R73	RES CC 100R 1/8W 5%	24331-997B
R74	RES CHIP 10R 5%	24681-042H
R75	RES CC 100R 1/8W 5%	24331-997B
R76	RES MF 2K4 1/4W 2%	24773-282N
R77	RES MF 2K4 1/4W 2%	24773-282N

Circuit Ref	Description	Part Number
Unit AC13	- FILTER & FREQ DOUBLER BOARD	(Contd.)
R78	RES MF 2K4 1/4W 2%	24773-282N
R79	RES MF 2K4 1/4W 2%	24773-282N
R80	RES MF 47K 1/4W 2%	24773-313H
R81	RES MF 36R 1/4W 2%	24773-238A
R82	RES MF 2K4 1/4W 2%	24773-282N
R83	RES MF 2K4 1/4W 2%	24773-282N
R84	RES CC 82R 1/8W 5%	24331-996R
R85	RES MF 3K9 1/4W 2%	24773-287V
R86	RES MF 680R 1/4W 2%	24773-269K
R87	RES CHIP 16R 5%	24681-043E
R88	RES CC 68R 1/8W 5%	24331-979F
R89	RES MF 240R 1/4W 2%	24773-258D
R90	RES CC 150R 1/8W 5%	24331-990D
R91	RES MF 470R 1/4W 2%	24773-265M
R92	RES MF 1K0 1/4W 2%	24773-273A
R93	RES MF 470R 1/4W 2%	24773-265M
R99	RES MF 3K9 1/4W 2%	24773-287V
R100	RES MF 3K9 1/4W 2%	24773-287V
R101	RES MF 3K9 1/4W 2%	24773-287V
R102	RES MF 3K9 1/4W 2%	24773-287V
R103	RES MF 3K9 1/4W 2%	24773-287V
R104	RES MF 1K0 1/4W 2%	24773-273A
R105	RES MF 470R 1/4W 2%	24773-265M
R106	RES MF 3K9 1/4W 2%	24773-287V
R107	RES MF 3K9 1/4W 2%	24773-287V
R108	RES MF 470R 1/4W 2%	24773-265M
R109	RES MF 470R 1/4W 2%	24773-265M
R110	RES CHIP 10R 5%	24681-042H
R111	RES CC 100R 1/8W 5%	24331-997B
SKCS	CON RF SMB MALE 50 PCB STR	23444-334Y
TR1	TRANS NPN SIL BFR96S 15V	28452-172N
TR2	TRANS NPN SIL BFR96S 15V	28452-172N
TR3	TRANS NPN SIL 2N2369 15V	28452-197H
TR4	TRANS NPN SIL BFR96S 15V	28452-172N
TR5	TRANS NPN SIL BFR91A 12V	28451-694H
TR6	TRANS NPN SIL BFR91A 12V	28451-694H

Circuit Ref	Description	Part Number
Unit AD11 - DISPLAY BOARD		
22. When ordering, prefix circuit reference with AD11		
	Complete unit	44828-773P
C1	CAP ELEC 4.7UF 35V 20% SUB MIN	26421-108A
C2	CAP ELEC 4.7UF 35V 20% SUB MIN	26421-108A
C3	CAP PETP 0.022UF 250V 10%	26582-204X
C4	CAP ELEC 4.7UF 35V 20% SUB MIN	26421-108A
D1	DIODE ZENER BZX79C10 10V 5%	28371-844U
IC1	ICD BUFF 7407 HEX O/C	28469-703X
IC2	ICD BUFF 7407 HEX O/C	28469-703X
IC3	ICD DRIV 4054 LCD	! 28469-398Z
IC4	ICD DECOD 4056 BCD-7SEG LCD	! 28469-401B
IC5	ICD DECOD 4056 BCD-7SEG LCD	! 28469-401B
IC6	ICD DECOD 4056 BCD-7SEG LCD	! 28469-401B
IC7	ICD DECOD 4056 BCD-7SEG LCD	! 28469-401B
IC8	ICD DECOD 4056 BCD-7SEG LCD	! 28469-401B
IC9	ICD DECOD 4056 BCD-7SEG LCD	! 28469-401B
IC10	ICD DECOD 4056 BCD-7SEG LCD	! 28469-401B
IC11	ICD DECOD 4056 BCD-7SEG LCD	! 28469-401B
IC12	ICD DRIV 4054 LCD	! 28469-398Z
IC13	ICD NOR 74LS02 QUAD 2INP	28466-214Y
IC14	ICD DRIV 4054 LCD	! 28469-398Z
IC15	ICD DECOD 4028 BCD-DEC	! 28465-013B
IC16	ICD DECOD 4028 BCD-DEC	! 28465-013B
IC17	ICD DECOD 4028 BCD-DEC	! 28465-013B
IC18	ICD DRIV 4054 LCD	! 28469-398Z
IC19	ICD MONO 4047 ASTABLE MULTI	! 28468-307C
IC20	ICD DRIV 4054 LCD	! 28469-398Z
IC21	ICD DECOD 4056 BCD-7SEG LCD	! 28469-401B
IC22	ICD DECOD 4056 BCD-7SEG LCD	! 28469-401B
IC23	ICD DECOD 4056 BCD-7SEG LCD	! 28469-401B
IC24	ICD DRIV 4054 LCD	! 28469-398Z
IC25	ICD DEC/DMX 4555 DUAL 2-4	! 28465-017H
IC26	ICD DRIV 4054 LCD	! 28469-398Z
IC27	ICD DRIV 4054 LCD	! 28469-398Z
IC28	ICD DRIV 4054 LCD	! 28469-398Z
IC29	ICD DECOD 4056 BCD-7SEG LCD	! 28469-401B

Circuit Ref	Description	Part Number
Unit AD11	- DISPLAY BOARD	(Contd.)
IC30	ICD DECOD 4056 BCD-7SEG LCD !	28469-401B
IC31	ICD DECOD 4056 BCD-7SEG LCD !	28469-401B
IC32	ICD DRIV 4054 LCD !	28469-398Z
IC33	ICD DRIV 4054 LCD !	28469-398Z
IC34	ICD DRIV 4054 LCD !	28469-398Z
PLAL	CON PART PCB POST SQUARE PIN	23435-188V
R1	RES NET 6K8 5% 15DIL	24681-514C
R2	RES MF 220K 1/4W 2%	24773-329T
X1	LCD 4575-363-060	44990-361M
X2	LCD 4811-363-360	44990-420G
X3	LCD 4577-363-060	44990-363R
Unit AD2	- MOTHER BOARD	
23. When ordering, prefix circuit reference with AD2		
	Complete unit	44828-442A
C1	CAP CER 0.01UF 100V 20% DISC	26383-055L
C2	CAP CER 0.01UF 100V 20% DISC	26383-055L
D1	DIODE H/CARR BAT29 5V	28349-014L
IC1	ICD FF D 74LS273 OCT +EDG TR	28462-615U
IC2	ICD BUFF 7406 HEX O/C I	28469-158A
IC3	ICD NOR 74128 QUAD 2INP BUF	28466-224S
PLL	CON PART PCB POST SQUARE PIN	23435-188V
PLW	CON PART PCB POST SQUARE PIN	23435-188V
PLX	CON PART PCB POST SQUARE PIN	23435-188V
PLY	CON PART PCB POST SQUARE PIN	23435-188V
PLZ	CON PART PCB POST SQUARE PIN	23435-188V
PLAA	CON PART PCB POST SQUARE PIN	23435-188V
PLAB	CON PART PCB POST SQUARE PIN	23435-188V
PLAD	CON PART PCB POST SQUARE PIN	23435-188V
PLAE	CON PART PCB POST SQUARE PIN	23435-188V
PLAF	CON PART PCB POST SQUARE PIN	23435-188V
PLDM	CON PART PCB POST SQUARE PIN	23435-188V
SKAH	CON EDGE FEM 13 FXD .15 2S	23435-145E

Circuit Ref	Description	Part Number
Unit AD3	- MOD. OSC. AND FM CONTROL BOARD	
24.	When ordering, prefix circuit reference with AD3	
	Complete unit	44828-443Z
C1	CAP CER 0.01UF 100V 20% DISC	26383-055L
C2	CAP PS 0.01UF 63V 1%	26515-002C
C3	CAP PS 0.01UF 63V 1%	26515-002C
C4	CAP PETP 0.68UF 100V 10%	26582-216E
C5	CAP PETP 0.15UF 100V 10%	26582-212K
C6	CAP CER 0.01UF 100V 20% DISC	26383-055L
C7	CAP CER 0.01UF 100V 20% DISC	26383-055L
C8	CAP CER 0.01UF 100V 20% DISC	26383-055L
C9	CAP CER 0.01UF 100V 20% DISC	26383-055L
C10	CAP CER 0.01UF 100V 20% DISC	26383-055L
C11	CAP CER 0.01UF 100V 20% DISC	26383-055L
C12	CAP CER 0.01UF 100V 20% DISC	26383-055L
C13	CAP CER 33PF 63V 2% PLATE	26343-471Y
C15	CAP CER 0.01UF 100V 20% DISC	26383-055L
C16	CAP CER 0.01UF 100V 20% DISC	26383-055L
C17	CAP CER 0.01UF 100V 20% DISC	26383-055L
C18	CAP CER 0.01UF 100V 20% DISC	26383-055L
C19	CAP CER 0.01UF 100V 20% DISC	26383-055L
C20	CAP CER 0.01UF 100V 20% DISC	26383-055L
C21	CAP ELEC .47UF 50V 20% SUB MIN	26421-104C
C22	CAP ELEC .47UF 50V 20% SUB MIN	26421-104C
C23	CAP ELEC .47UF 50V 20% SUB MIN	26421-104C
C26	CAP CER 4.7PF 63V 0.5PF PLATE	26343-461B
C27	CAP CER 18PF 63V 5% PLATE	26343-468Y
C28	CAP CER 4.7PF 63V 0.5PF PLATE	26343-461B
C29	CAP CER 82PF 63V 2% PLATE	26343-476E
D1	DIODE SIL 1N4148 100V JUNC	28336-676J
D2	DIODE SIL 1N4148 100V JUNC	28336-676J
D3	DIODE SIL 1N4148 100V JUNC	28336-676J
D4	DIODE ZENER BZX79C7V5 7.5V 5%	28371-602Z
D5	DIODE SIL 1N4148 100V JUNC	28336-676J
IC1	ICA AMP TLO72CP DUAL FET I/P	28461-348Z
IC2	ICA MUX 4053 TRIP 3INP	! 28469-714H
IC3	ICA MUX 4052 DUAL 4INP	! 28469-713Z
IC4	ICA MUX 4053 TRIP 3INP	! 28469-714H
IC5	ICD FF D 74LS273 OCT +EDG TR	28462-615U
IC6	ICA MUX 4053 TRIP 3INP	! 28469-714H

Circuit Ref	Description	Part Number
Unit AD3 - MOD. OSC. AND FM CONTROL BOARD (Contd.)		
IC7	ICA MUX 4053 TRIP 3INP !	28469-714H
IC8	ICA AMP TL072CP DUAL FET I/P	28461-348Z
IC9	ICA AMP NE5532 DUAL LN DIL8	28461-363G
IC10	ICA AMP TL072CP DUAL FET I/P	28461-348Z
IC11	ICA DAC AD7524JN 8BIT !	28469-400R
IC12	ICA AMP TL071CP FET I/P DIL8	28461-347A
IC13	ICD INV 74LS04 HEX	28469-171L
IC14	ICD DEC/DMX 74LS138 3-8	28465-027F
IC15	ICA DAC AD7522LN 10BIT MOS !	28469-402K
IC16	ICA AMP TL071CP FET I/P DIL8	28461-347A
IC17	ICA DAC AD7524JN 8BIT !	28469-400R
IC18	ICA AMP TL071CP FET I/P DIL8	28461-347A
IC19	ICA AMP NE5534AN DIL	28461-358J
R1	RES MF 130R 1/4W 2%	24773-252J
R2	RV THERM 10K 20% GLASS RA14	25683-389E
R3	RES MF 2K56 1/4W 0.5% 25PPM	24753-564F
R4	RES MF 5K05 1/4W 0.5% 50PPM	24753-667G
R5	RES MF 15K83 1/4W 0.5%	24753-560Y
R6	RES MF 39K7 1/4W 0.5%	24753-561N
R7	RES MF 53K0 1/4W 0.5%	24753-562L
R8	RES MF 5K05 1/4W 0.5% 50PPM	24753-667G
R9	RES MF 15K83 1/4W 0.5%	24753-560Y
R10	RES MF 39K7 1/4W 0.5%	24753-561N
R11	RES MF 53K0 1/4W 0.5%	24753-562L
R12	RES MF 2K56 1/4W 0.5% 25PPM	24753-564F
R13	RES MF 100K 1/4W 2%	24773-321L
R14	RES MF 470R 1/4W 2%	24773-265M
R15	RES MF 4K7 1/4W 2%	24773-289W
R16	RV CERM 2K LIN .3W 10% FLAT	25748-505T
R17	RES MF 10K 1/4W 2%	24773-297M
R18	RES MF 330R 1/4W 2%	24773-261D
R19	RES MF 750R 1/4W 2%	24773-270R
R20	RES MF 100R 1/4W 2%	24773-249J
R21	RES MF 1M0 1/4W 2%	24773-346E
R22	RES MF 1M0 1/4W 2%	24773-346E
R23	RES MF 12K 1/4W 2%	24773-299R
R24	RES MF 3K0 1/4W 2%	24773-284J
R25	RES MF 270K 1/4W 2%	24773-331D
R26	RES MF 270K 1/4W 2%	24773-331D
R27	RES MF 5K6 1/4W 2%	24773-291S
R28	RES MF 1K0 1/4W 2%	24773-273A
R29	RES MF 1K0 1/4W 2%	24773-273A
R30	RV CERM 500R LIN .3W 10% FLAT	25748-503W
R31	RES MF 6K8 1/4W 2%	24773-293D

Circuit Ref	Description	Part Number
Unit AD3	- MOD. OSC. AND FM CONTROL BOARD	(Contd.)
R32	RES MF 12K 1/4W 2%	24773-299R
R33	RV CERM 500R LIN .3W 10% FLAT	25748-503W
R34	RES MF 1K0 1/4W 2%	24773-273A
R35	RES NET 10K 5% 8DIL DIL	24681-511P
R36	RES MF 390R 1/4W 2%	24773-263P
R37	RES MF 10K 1/4W 2%	24773-297M
R38	RES MF 240R 1/4W 2%	24773-258D
R39	RES MF 39K 1/4W 2%	24773-311A
R40	RES MF 470R 1/4W 2%	24773-265M
R41	RES MF 240R 1/4W 2%	24773-258D
R42	RES MF 10K 1/4W 2%	24773-297M
R43	RES MF 10K 1/4W 2%	24773-297M
R44	RES MF 10K 1/4W 2%	24773-297M
R45	RES MF 10K 1/4W 2%	24773-297M
R46	RES MF 10K 1/4W 2%	24773-297M
R47	RES MF 10K 1/4W 2%	24773-297M
R48	RES MF 10K 1/4W 2%	24773-297M
R49	RES MF 10K 1/4W 2%	24773-297M
TR1	TRANS FET J310 25V	28459-028E

Unit AD4 - KEYBOARD

25. When ordering, prefix circuit reference with AD4

Complete unit		44828-444H
C1	CAP CER 0.01UF 40V 20%+ PLATE	26387-253M
C2	CAP CER 0.01UF 40V 20%+ PLATE	26387-253M
C3	CAP CER 0.01UF 40V 20%+ PLATE	26387-253M
C4	CAP CER 0.01UF 40V 20%+ PLATE	26387-253M
C5	CAP CER 0.01UF 40V 20%+ PLATE	26387-253M
D1	DIODE LED CQY 87V180P 2.4V YEL	28624-121Z
D2	DIODE LED CQY 87V180P 2.4V YEL	28624-121Z
D3	DIODE LED CQY 87V180P 2.4V YEL	28624-121Z
D4	DIODE LED CQY 87V180P 2.4V YEL	28624-121Z
D5	DIODE LED CQY 87V180P 2.4V YEL	28624-121Z
D8	DIODE LED CQY 87V180P 2.4V YEL	28624-121Z
D10	DIODE LED CQY 87V180P 2.4V YEL	28624-121Z
D11	DIODE LED CQY 87V180P 2.4V YEL	28624-121Z
D12	DIODE LED CQY 87V180P 2.4V YEL	28624-121Z
D13	DIODE LED CQY 87V180P 2.4V YEL	28624-121Z

Circuit Ref	Description	Part Number
Unit AD4	- KEYBOARD	(Contd.)
D14	DIODE LED CQY87V180P 2.4V YEL	28624-121Z
D15	DIODE LED CQY87V180P 2.4V YEL	28624-121Z
IC1	ICD DEC/DMX 74LS138 3-8	28465-027F
IC2	ICD FF D 74LS273 OCT +EDG TR	28462-615U
IC3	ICD FF D 74LS273 OCT +EDG TR	28462-615U
IC4	ICD FF D 74LS273 OCT +EDG TR	28462-615U
IC5	ICD BUFF 74LS244 OCT 3ST	28469-182T
R1	RES MF 330R 1/4W 2%	24773-261D
R2	RES NET 100R 5% 8SINGLE DIL	24681-515R
R3	RES MF 100K 1/4W 2%	24773-321L
R4	RES MF 100K 1/4W 2%	24773-321L
R5	RES NET 10K 5% 8DIL DIL	24681-511P
SA	SW PUSH BUTTON SPCO 24V 10MA	23465-411B
SB	SW PUSH BUTTON SPCO 24V 10MA	23465-411B
SC	SW PUSH BUTTON SPCO 24V 10MA	23465-411B
SD	SW PUSH BUTTON SPCO 24V 10MA	23465-411B
SE	SW PUSH BUTTON SPCO 24V 10MA	23465-411B
SF	SW PUSH BUTTON SPCO 24V 10MA	23465-411B
SH	SW PUSH BUTTON SPCO 24V 10MA	23465-411B
SJ	SW PUSH BUTTON SPCO 24V 10MA	23465-411B
SK	SW PUSH BUTTON SPCO 24V 10MA	23465-411B
SL	SW PUSH BUTTON SPCO 24V 10MA	23465-411B
SM	SW PUSH BUTTON SPCO 24V 10MA	23465-411B
SP	SW PUSH BUTTON SPCO 24V 10MA	23465-411B
SR	SW PUSH BUTTON SPCO 24V 10MA	23465-411B
SS	SW PUSH BUTTON SPCO 24V 10MA	23465-411B
ST	SW PUSH BUTTON SPCO 24V 10MA	23465-411B
SU	SW PUSH BUTTON SPCO 24V 10MA	23465-411B
SV	SW PUSH BUTTON SPCO 24V 10MA	23465-411B
SW	SW PUSH BUTTON SPCO 24V 10MA	23465-411B
SX	SW PUSH BUTTON SPCO 24V 10MA	23465-411B
SY	SW PUSH BUTTON SPCO 24V 10MA	23465-411B
SZ	SW PUSH BUTTON SPCO 24V 10MA	23465-411B
SAA	SW PUSH BUTTON SPCO 24V 10MA	23465-411B
SAB	SW PUSH BUTTON SPCO 24V 10MA	23465-411B
SAC	SW PUSH BUTTON SPCO 24V 10MA	23465-411B
SAD	SW PUSH BUTTON SPCO 24V 10MA	23465-411B
SAE	SW PUSH BUTTON SPCO 24V 10MA	23465-411B
SAF	SW PUSH BUTTON SPCO 24V 10MA	23465-411B
SAH	SW PUSH BUTTON SPCO 24V 10MA	23465-411B
SAJ	SW PUSH BUTTON SPCO 24V 10MA	23465-411B

Circuit Ref	Description	Part Number
Unit AD4	- KEYBOARD	(Contd.)
SAK	SW PUSH BUTTON SPCO 24V 10MA	23465-411B
SAL	SW PUSH BUTTON SPCO 24V 10MA	23465-411B
SAM	SW PUSH BUTTON SPCO 24V 10MA	23465-411B
TR1	TRANS NPN SIL ZTX109CL 20V	28452-771P
TR2	TRANS NPN SIL ZTX109CL 20V	28452-771P
Unit AE1	- POWER SUPPLY BOARD	
26.	When ordering, prefix circuit reference with AE1	
	Complete unit	44828-446U
C1	CAP ELEC 15000UF 16V -10+30%	26422-320S
C2	CAP ELEC 22UF 25V 20%+	26415-805K
C3	CAP ELEC 22UF 25V 20%+	26415-805K
C4	CAP ELEC 22UF 25V 20%+	26415-805K
C5	CAP ELEC 22UF 25V 20%+	26415-805K
C6	CAP ELEC 4700UF 40V -10+30%	26422-321W
C7	CAP ELEC 2200UF 40V 20%+	26415-831P
C8	CAP ELEC 22UF 25V 20%+	26415-805K
C9	CAP ELEC 4.7UF 63V 20%+	26415-801M
C10	CAP ELEC 220UF 63V 20%+	26415-820J
C11	CAP ELEC 22UF 25V 20%+	26415-805K
C12	CAP ELEC 4.7UF 63V 20%+	26415-801M
D1	DIODE BRIDGE 2KBB20R 200V 1.9A	28359-189D
D2	DIODE BRIDGE 2KBB20R 200V 1.9A	28359-189D
D3	DIODE BRIDGE 2KBB20R 200V 1.9A	28359-189D
D4	DIODE RECT 1N4004 400V	28357-028K
D5	DIODE RECT 1N4004 400V	28357-028K
D6	DIODE RECT 1N4004 400V	28357-028K
D7	DIODE RECT 1N4004 400V	28357-028K
D8	DIODE RECT 1N4004 400V	28357-028K
IC1	ICA VREG- LM337T PROG 1A5	28461-727Z
IC2	ICA VREG+ LM317T PROG 1A5	28461-726A
PLB	CON PART PCB POST SQUARE PIN	23435-188V
PLC	CON PART PCB POST SQUARE PIN	23435-188V
PLD	CON PART PCB POST SQUARE PIN	23435-188V
PLE	CON PART PCB POST SQUARE PIN	23435-188V
PLH	CON PART PCB POST SQUARE PIN	23435-188V
PLJ	CON PART PCB POST SQUARE PIN	23435-188V
PLK	CON PART PCB POST SQUARE PIN	23435-188V

Circuit Ref	Description	Part Number
Unit AE1	- POWER SUPPLY BOARD	(Contd.)
R1	RES MF 220R 1/4W 2%	24773-257W
R2	RV CERM 50R LIN .5W 10% HORZ	25711-634N
R3	RES MF 680R 1/4W 2%	24773-269K
R4	RES MF 220R 1/4W 2%	24773-257W
R5	RV CERM 50R LIN .5W 10% HORZ	25711-634N
R6	RES MF 2K7 1/4W 2%	24773-283L
R7	RES MF 220R 1/4W 2%	24773-257W
R8	RV CERM 50R LIN .5W 10% HORZ	25711-634N
R9	RES MF 2K7 1/4W 2%	24773-283L
R10	RES MF 220R 1/4W 2%	24773-257W
R11	RV CERM 50R LIN .5W 10% HORZ	25711-634N
R12	RES MF 4K3 1/4W 2%	24773-288S

Unit AMO - BASIC MODULE (44990-380J)

27. When ordering, prefix circuit reference with AMO

D1	DIODE BRIDGE BY260 200V 12A	28359-190S
FS1	FUSE T/LAG .50A 20X5MM	23411-056X
FS2	FUSE T/LAG .50A 20X5MM	23411-056X
FS3	FUSE T/LAG 1.0A 20X5MM	23411-058C
FS4	FUSE T/LAG 1.0A 20X5MM	23411-058C
IC1	ICA VREG+ LM350K PROG 3A T03	28461-722C
IC2	ICA VREG+ LM317K PROG 1A5 T03	28461-728H

Circuit Ref	Description	Part Number
Unit AMO	- BASIC MODULE	(Contd.)
PLA	CON PWR MALE 3 FXD RF FILTER	23423-150L
PLAU	CONN ASSY PLAU-PLAW	43129-655T
PLAV	CONN ASSY PLAV-PLAX	43129-656P
PLAY	CONN ASSY PLAY-PLAZ	43129-657X
PLBA	CONN ASSY PLBA-SKBB	43129-658M
SAP	SW TOG 2P2W LEVER MAINS	23462-249Z
SAR	SW SLIDE DPCO PANEL MTG	23467-161W
SAS	SW SLIDE DPCO PANEL MTG	23467-161W
SKB	CONN ASSY SKB	43129-694C
SKC	CONN ASSY SKC	43129-695R
SKE	CONN ASSY SKE-SKM	43129-643M
SKH	CONN ASSY SKH-SKW	43129-645J
SKJ	CONN ASSY SKJ	43129-646F
SKK	CONN ASSY SKK	43129-647G
SKL	CONN ASSY SKL	43129-651V
SKV	CONN ASSY SKV-SKAE	43129-649S
SKX	CONN ASSY SKX	43129-650G
SKY	CONN ASSY SKY-SKAK	43129-691P
SKZ	CONN ASSY SKZ	43129-644L
SKAA	CONN ASSY SKAA	43129-652S
SKAB	CONN ASSY SKAB-SKAL	43129-653W
SKAF	CONN ASSY SKAF	43129-648V
SKAN	CON RF BNC FEM 50 BKHD	23443-446H
SKAP	CONN ASS SKAP-PLAR	43129-654D
T1	MAINS TRANSFORMER	43490-089W
R1	RES MF 220R 1/4W 2%	24773-257W
R2	RV CERM 50R LIN .5W 10% HORZ	25711-634N
R3	RES MF 680R 1/4W 2%	24773-269K
R4	RES MF 220R 1/4W 2%	24773-257W
R5	RV CERM 50R LIN .5W 10% HORZ	25711-634N
X1	FUSE HOLDER PANEL MOUNTED	23416-192R
X2	COVER FOR FUSE HOLDER	23416-198E
X3	COVER MAINS FILTER	37590-150P
X4	COVER (MAINS SW)	37590-298U

Circuit Ref	Description	Part Number
-------------	-------------	-------------

Unit AT0/1 - 10DB STEP ATTENUATOR ASSEMBLY

28. When ordering, prefix circuit reference with AT0/1

	Complete unit	44990-478L
C1	CAP CER .001UF 500V 20%+ L/T	26373-714F
C2	CAP CER .001UF 500V 20%+ L/T	26373-714F
C3	CAP CER .001UF 500V 20%+ L/T	26373-714F
RLA	SOLENOID ASSY	44990-370Z
RLB	SOLENOID ASSY	44990-370Z
RLC	SOLENOID ASSY	44990-370Z
RLD	SOLENOID ASSY	44990-370Z
RLE	SOLENOID ASSY	44990-370Z
SKN	CONN ASSY SKN	43129-689X
SKP	CONN ASSY SKP	43129-690T
SKAZ	CON RF SMA FEM 50 BKHD S/BK	23444-512J
SKBA	CON RF SMA FEM 50 BKHD S/BK	23444-512J

Unit AT1 - ATTENUATOR BOARD

29. When ordering, prefix circuit reference with AT1

	Complete unit	44828-732G
C1	CAP CER .039UF 50V 20% CHIP	26386-493F
C2	CAP CER .1UF 50V 20% CHIP	26386-758E
D1	DIODE HOT CARR HP5082-2811	28349-008U
D2	DIODE HOT CARR HP5082-2811	28349-008U
L1	COIL ASSY	44290-750K
R1	RES CHIP 53R3 1%	24681-023S
R2	RES CHIP 790R 1%	24681-033C
R3	RES CHIP 53R3 1%	24681-023S
R4	RES CHIP 53R3 1%	24681-023S
R5	RES CHIP 790R 1%	24681-033C

Circuit Ref	Description	Part Number
Unit AT1	- ATTENUATOR BOARD	(Contd.)
R6	RES CHIP 53R3 1%	24681-023S
R7	RES CHIP 53R3 1%	24681-023S
R8	RES CHIP 790R 1%	24681-033C
R9	RES CHIP 53R3 1%	24681-023S
R10	RES CHIP 61R1 1%	24681-024W
R11	RES CHIP 247R 1%	24681-030P
R12	RES CHIP 61R1 1%	24681-024W
R13	RES CHIP 96R3 2%	24681-027P
R14	RES CHIP 71R2 1%	24681-025D
R15	RES CHIP 96R3 2%	24681-027P
R16	RES CHIP 470R 5%	24681-046N
R17	RES CHIP 470R 5%	24681-046N
R18	RES CHIP 51R 5%	24681-045Y
R19	RES CHIP 51R 5%	24681-045Y
R20	RES CC 150R 1/8W 5%	24331-990D
RLF	SW REED 1NO REED	23486-453X
SA	SW MICRO 1P2W PLUNGR OPER	23483-144G
SB	SW MICRO 1P2W PLUNGR OPER	23483-144G
SC	SW MICRO 1P2W PLUNGR OPER	23483-144G
SD	SW MICRO 1P2W PLUNGR OPER	23483-144G
SE	SW MICRO 1P2W PLUNGR OPER	23483-144G
SF	SW MICRO 1P2W PLUNGR OPER	23483-144G
SH	SW MICRO 1P2W PLUNGR OPER	23483-144G
SJ	SW MICRO 1P2W PLUNGR OPER	23483-144G
SK	SW MICRO 1P2W PLUNGR OPER	23483-144G
SL	SW MICRO 1P2W PLUNGR OPER	23483-144G
X2	RELAY TUBE	35902-731V

Circuit Ref	Description	Part Number
Unit AT2 - ATTENUATOR CONTROL		
30. When ordering, prefix circuit reference with AT2		
	Complete unit	44828-445E
C1	CAP CER 47PF 63V 5% PLATE	26343-473L
C2	CAP ELEC 4.7UF 35V 20% SUB MIN	26421-108A
C3	CAP CER 1.8PF 63V .5PF PLATE	26343-456C
C4	CAP CER 0.01UF 100V 20% DISC	26383-055L
C5	CAP ELEC 4.7UF 35V 20% SUB MIN	26421-108A
C6	CAP ELEC 4.7UF 35V 20% SUB MIN	26421-108A
D1	DIODE SIL 1N4148 100V JUNC	28336-676J
D2	DIODE SIL 1N4148 100V JUNC	28336-676J
D3	DIODE ZENER BZX79C10 10V 5%	28371-844U
D4	DIODE SIL 1N4148 100V JUNC	28336-676J
D5	DIODE SIL 1N4148 100V JUNC	28336-676J
D6	DIODE SIL 1N4148 100V JUNC	28336-676J
D7	DIODE SIL 1N4148 100V JUNC	28336-676J
D8	DIODE SIL 1N4148 100V JUNC	28336-676J
D9	DIODE SIL 1N4148 100V JUNC	28336-676J
D10	DIODE LED CQY87V180P 2.4V YEL	28624-121Z
D11	DIODE RECT 1N4004 400V	28357-028K
IC1	ICA AMP CA3130E GP MOS DIL 8	28461-361J
IC2	ICA COMP LM311N DIL8	28461-695U
IC3	ICD NOR 74LS02 QUAD 2INP	28466-214Y
IC4	ICD MONO 74LS123 RETR	28468-309B
PLM	CON PART PCB POST SQUARE PIN	23435-188V
PLN	CON PART PCB POST SQUARE PIN	23435-188V
PLP	CON PART PCB POST SQUARE PIN	23435-188V
PLV	CON PART PCB POST SQUARE PIN	23435-188V
R1	RES MF 100K 1/4W 2%	24773-321L
R2	RES MF 47K 1/4W 2%	24773-313H
R3	RES MF 100K 1/4W 2%	24773-321L
R4	RES MF 10K 1/4W 2%	24773-297M
R5	RES MF 10K 1/4W 2%	24773-297M
R6	RES MF 24K 1/4W 2%	24773-306B
R7	RES MF 1K3 1/4W 2%	24773-276E
R8	RES MF 3K9 1/4W 2%	24773-287V
R9	RES MF 10K 1/4W 2%	24773-297M
R10	RES MF 10K 1/4W 2%	24773-297M
R11	RES MF 510R 1/4W 2%	24773-266C
R12	RES MF 47K 1/4W 2%	24773-313H
R13	RES MF 10K 1/4W 2%	24773-297M
R14	RES MF 24K 1/4W 2%	24773-306B
R15	RES MF 3K9 1/4W 2%	24773-287V

Circuit Ref	Description	Part Number
-------------	-------------	-------------

Unit AT2	- ATTENUATOR CONTROL	(Contd.)
R16	RES MF 200R 1/4W 2%	24773-256S
R17	RES MF 10K 1/4W 2%	24773-297M
R18	RES MF 18K 1/4W 2%	24773-303M
TR1	TRANS PNP SIL BC308 25V	28433-455R
TR2	TRANS NPN SIL BFY51 60V	28455-827T
TR3	TRANS PNP SIL 2N2905 40V	28434-879X

Unit AG1/1 - GPIB ADAPTER TRANSCEIVER

31. When ordering, prefix circuit reference with AG1/1

Note ...

The GPIB Adapter module (AGO) is normally complete with box, mountings and transceiver p.c.b. and supplied as an Optional Accessory Part Number 54433-001U.

	Transceiver board complete	44828-794J
C1	CAP CER 68PF 63V 5% PLATE	26343-475F
C2	CAP CER 0.01UF 100V 20% DISC	26383-055L
C4	CAP CER 0.01UF 100V 20% DISC	26383-055L
C5	CAP CER 0.01UF 100V 20% DISC	26383-055L
C6	CAP CER 0.01UF 100V 20% DISC	26383-055L
C7	CAP CER 0.01UF 100V 20% DISC	26383-055L
C8	CAP CER 0.01UF 100V 20% DISC	26383-055L
C9	CAP CER 0.01UF 100V 20% DISC	26383-055L
C10	CAP CER 0.01UF 100V 20% DISC	26383-055L
C11	CAP CER 0.01UF 100V 20% DISC	26383-055L
IC1	ICD MONO 74LS123 DUAL RETRIG	28468-309B
IC2	ICD MP SUPP 8291A GPIB TALK/LIST !	28467-014C
IC3	ICD INV 74LS04 HEX	28469-171L
IC4	ICD TRANSC MC3448 QUAD 3ST GPIB	28469-190R
IC5	ICD TRANSC MC3448 QUAD 3ST GPIB	28469-190R
IC6	ICD TRANSC MC3448 QUAD 3ST GPIB	28469-190R
IC7	ICD TRANSC MC3448 QUAD 3ST GPIB	28469-190R
IC8	ICD NAND 74LS00 QUAD 2 1NP	28466-345H
IC9	ICD NAND 74LS20 DUAL 4 1NP	28466-347U
IC10	ICD D F/F 74LS374 OCT + EDG TR	28462-618L
PLAK	HEADER MALE	23435-976F
PLDW	TERM C/PIN 0.64 Sq x 6 mm	23435-188V
R1	RES MF 10K 1/4W 2%	24773-297M
R2	RES MF 10K 1/4W 2%	24773-297M
SKAJ	VERTICAL MOUNT 24-WAY	23435-979S

MECHANICAL COMPONENTS

32. Order without prefix.

Fig. 1

Item	Description	Part no.
1	Bottom outer cover	35903-279B
2	Front panel switch caps, marked:-	
	STORE	37590-323X
	RECALL	37590-324M
	MOD OSC	37590-371U
	MOD ALC	37590-372Y
	INCREMENT	37590-373N
	CARRIER FREQ	37590-374L
	FM	37590-375J
	AM	37590-376F
	RF LEVEL	37590-377G
	7	37590-334H
	4	37590-331K
	1	37590-328K
	0	37590-325C
	8	37590-335E
	5	37590-332A
	2	37590-329A
	.	37590-326R
	9	37590-336U
	6	37590-333Z
	3	37590-330B
	-	37590-327B
	MHz/V	37590-390X
	kHz/mV	37590-391M
	Hz/ μ V	37590-392C
	%/dB	37590-393R
	INT/EXT	37590-394B
	TOTAL	37590-395K
	UP	37590-396A
	ON/OFF	37590-397Z
	RETURN	37590-398H
	DOWN	37590-399E
	SECOND FUNCT	37590-400B
3	Front panel assy.	35903-115A
4	Carrier frequency bezel	37590-408N
	Modulation and r.f. level bezel	37590-409L
5	Front trim panel	34900-477G
6	Front trim infill	35902-371Z
7	Left-hand side trim infill	35902-384V
8	Left-hand side frame assy.	35903-314M
9	Top outer cover	35904-501D
10	Back foot	37590-514L
	Stud	37590-223C

Fig.		Title	Page
24a	AD4	Component layout	48
24	AD4	Keyboard	49/50
	AE1	Power supply board (part of AMO, Fig. 2)	
25	ATO/1	10 dB step attenuator	51
26a	AT2	Component layout	52
26	AT2	Attenuator control	53
27a	AGO	Component layout	54
27	AGO	GPIB adapter module	55/56

CIRCUIT NOTES

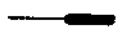
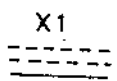



1. Component values

- Resistors : Code letter R = ohms, k = kilohms (10^3), M = megohms (10^6).
- Capacitors : Code letter m = millifarads (10^{-3}), μ = microfarads (10^{-6}),
n = nanofarads (10^{-9}), p = picofarads (10^{-12}).
- Inductors : Code letter H = henrys, m = millihenrys (10^{-3}),
 μ = microhenrys (10^{-6}), n = nanohenrys (10^{-9}).
- + | SIC : value selected during test, nominal value shown.

2. Components are marked normally with two, three or four figures according to the accuracy limit $\pm 10\%$, $\pm 1\%$ or $\pm 0.1\%$. The code letter used indicates the multiplier and replaces the decimal point. Because a marking 4m7 could be interpreted as milliohms, millifarads or millihenrys all values are placed near to its related symbol.

3. Symbols

Symbols are based on the provisions of BS 3939 with the following additions :

-  edge connector
-  X1
ferrite bead
-  warning, see page (iv), notes and cautions
-  Beryllia : health hazard, see page (iv), notes and cautions
-  AB2
unit identification number
- P printed component

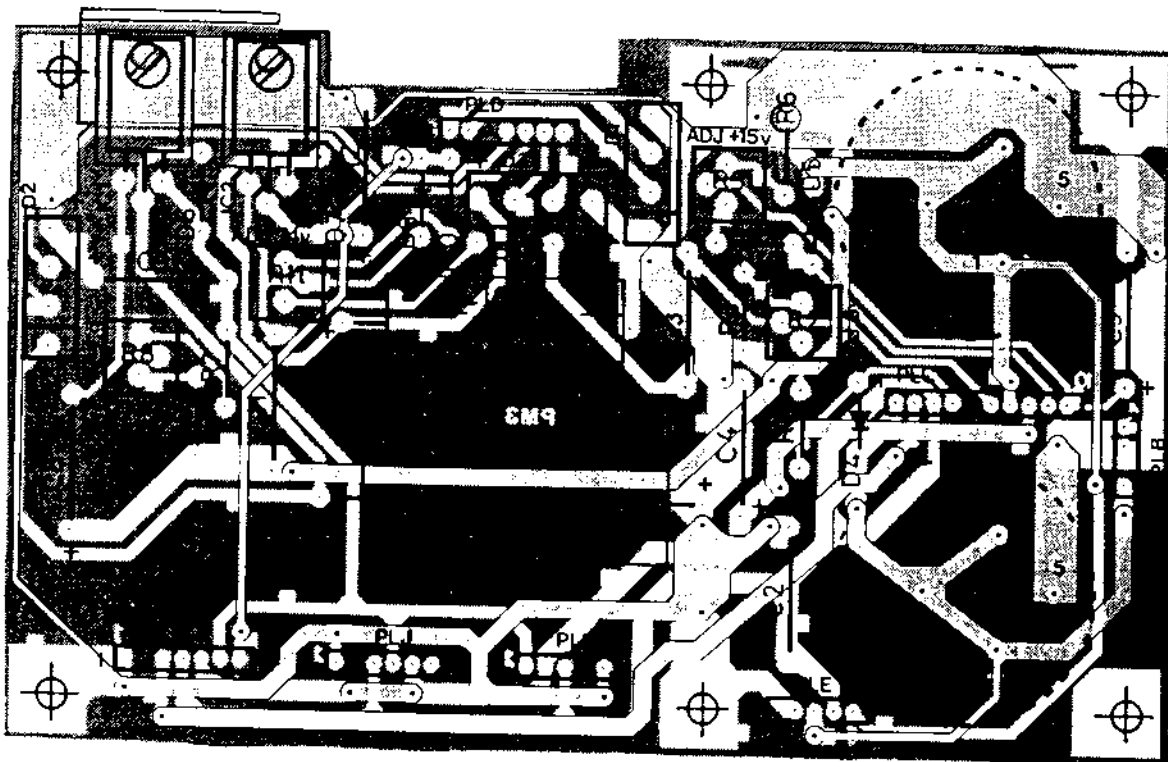
Chapter 7

SERVICING DIAGRAMS

CONTENTS

Para.
1 Circuit notes
1 Component values
3 Symbols

Fig.	Unit	Title	Page
1	2018/2019	Frequency synthesis and signal processing, simplified block diagram	3
2a	AE1	Component layout ...	4
2	AM0	Power supplies (includes board AE1)	5/6
3	AM0	Basic module interconnections	7/8
4	AM0	Control and power supply lines	9/10
5	AA/B0	RF box 1 interconnections ..	11
6a	AA1	Component layout ...	12
6	AA1	LSD loop ...	13
7a	AA2	Component layout ...	14
7	AA2	Microprocessor system	15
8a	AA3	Component layout ...	16
8	AA3	Frequency standard	17
9a	AB1	Component layout ...	18
9	AB1	Output v.r.d. ...	19
10a	AB2	Component layout ...	20
10	AB2	Divide by 2 chain and f.m. drive ...	21
11a	AB3	Component layout ...	22
11	AB3	RF oscillators board	23
12a	AB4	Component layout ...	24
12	AB4	Output phase detector	25
13a	AB5	Component layout ...	26
13	AB5	Voltage controlled crystal oscillator loop	27/28
14	AC0	RF box 2 interconnections ..	29
15a	AC2	Component layout ...	30
15	AC2	BFO system	31/32
16	AC3	Filter board (for component layout see Fig. 19a)	33
17a	AC4	Component layout ...	34
17	AC4	Output amplifier ...	35
18a	AC5	Component layout ...	36
18	AC5	Amplitude modulator	37
19a	AC13	Component layout (AC3 & AC13)	38
19	AC13	Filter and frequency doubler (2019 only)	39
20a	AD11	Component layout ...	40
20	AD11	Display board (sheet 1)	41/42
21	AD11	Display board (sheet 2)	43
22a	AD2	Component layout ...	44
22	AD2	Motherboard	45
23a	AD3	Component layout ...	46
23	AD3	Modulation oscillator and f.m. control	47



Component layout, AE1

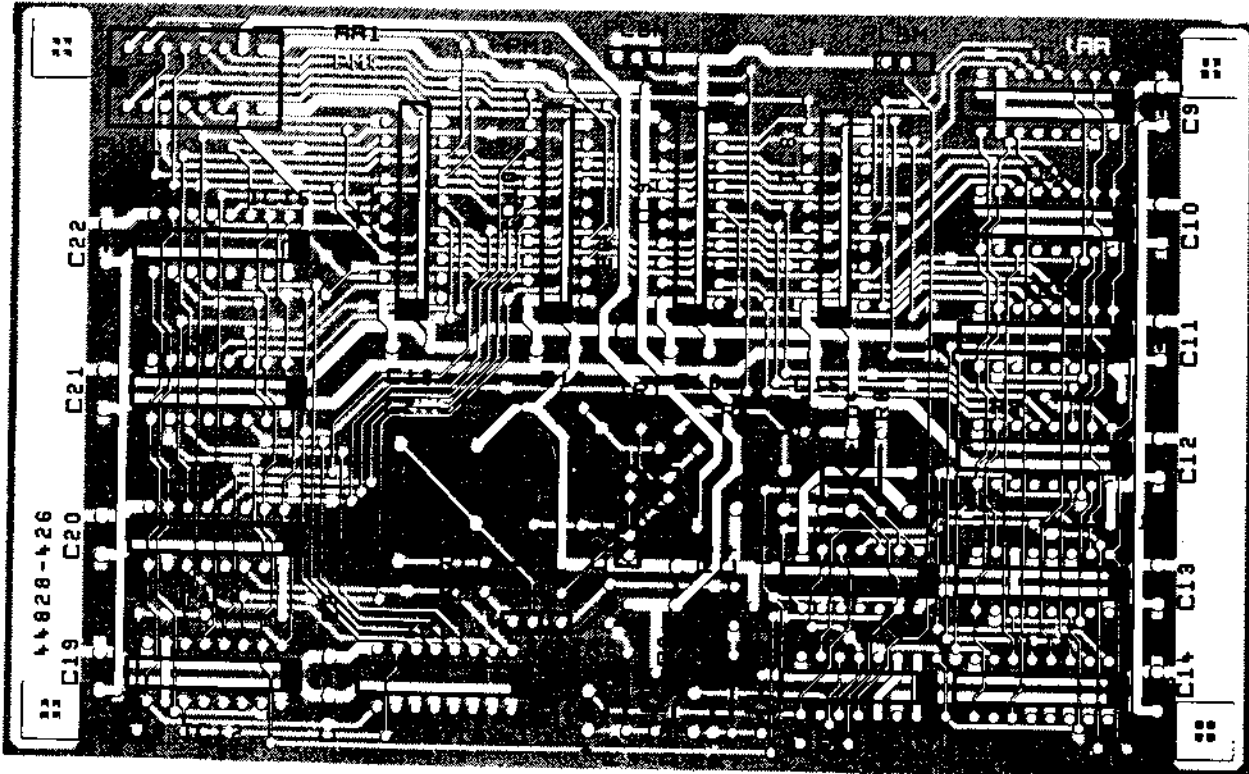
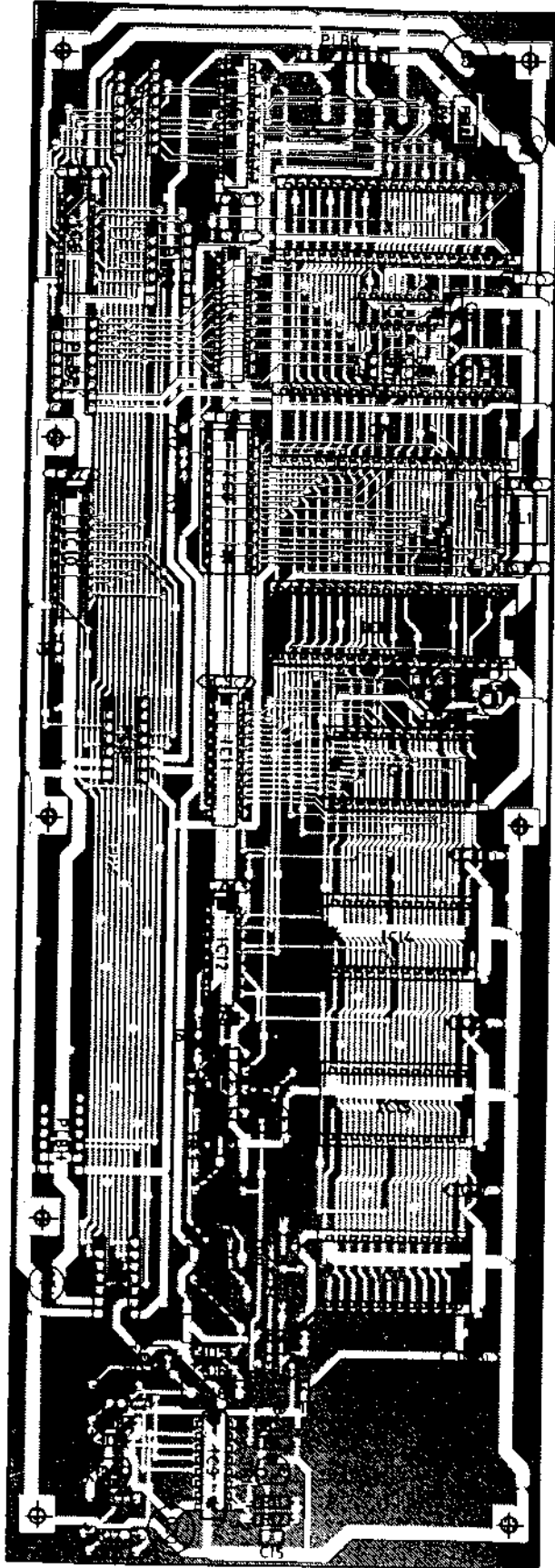


Fig. 6a
Chap. 7
Page 12

Component layout, AA1

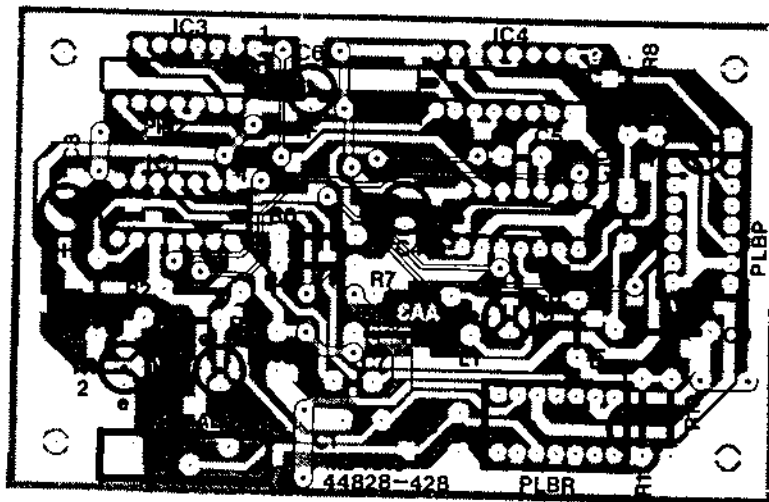
Fig. 6a
Sep. 81



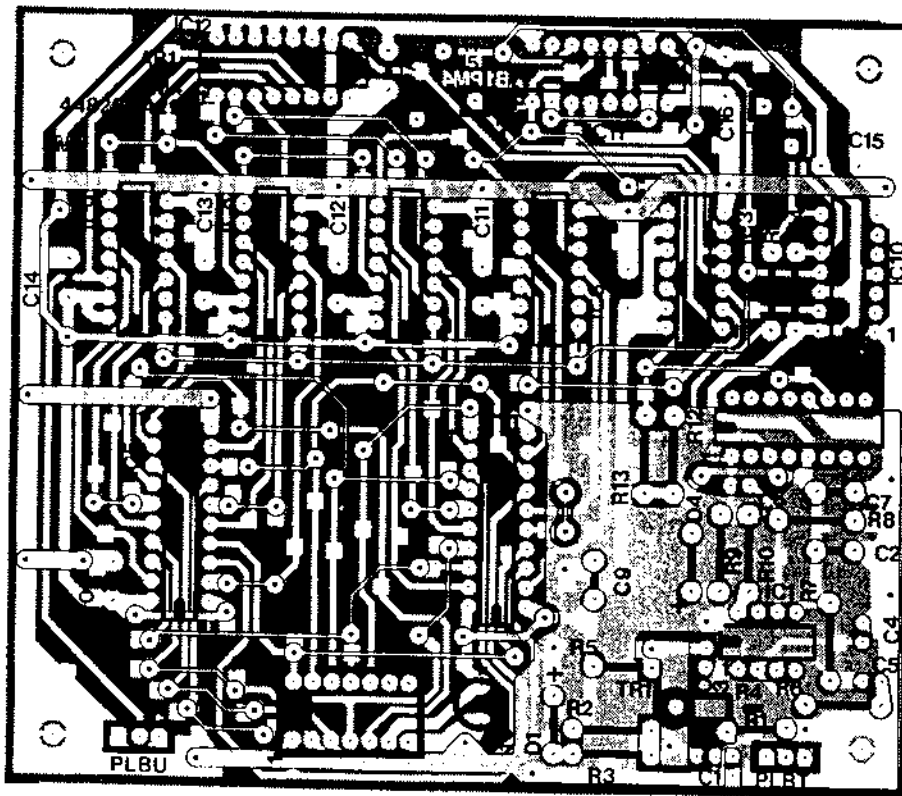
Component layout, AA2

Fig. 7a
Chap. 7
Page 14

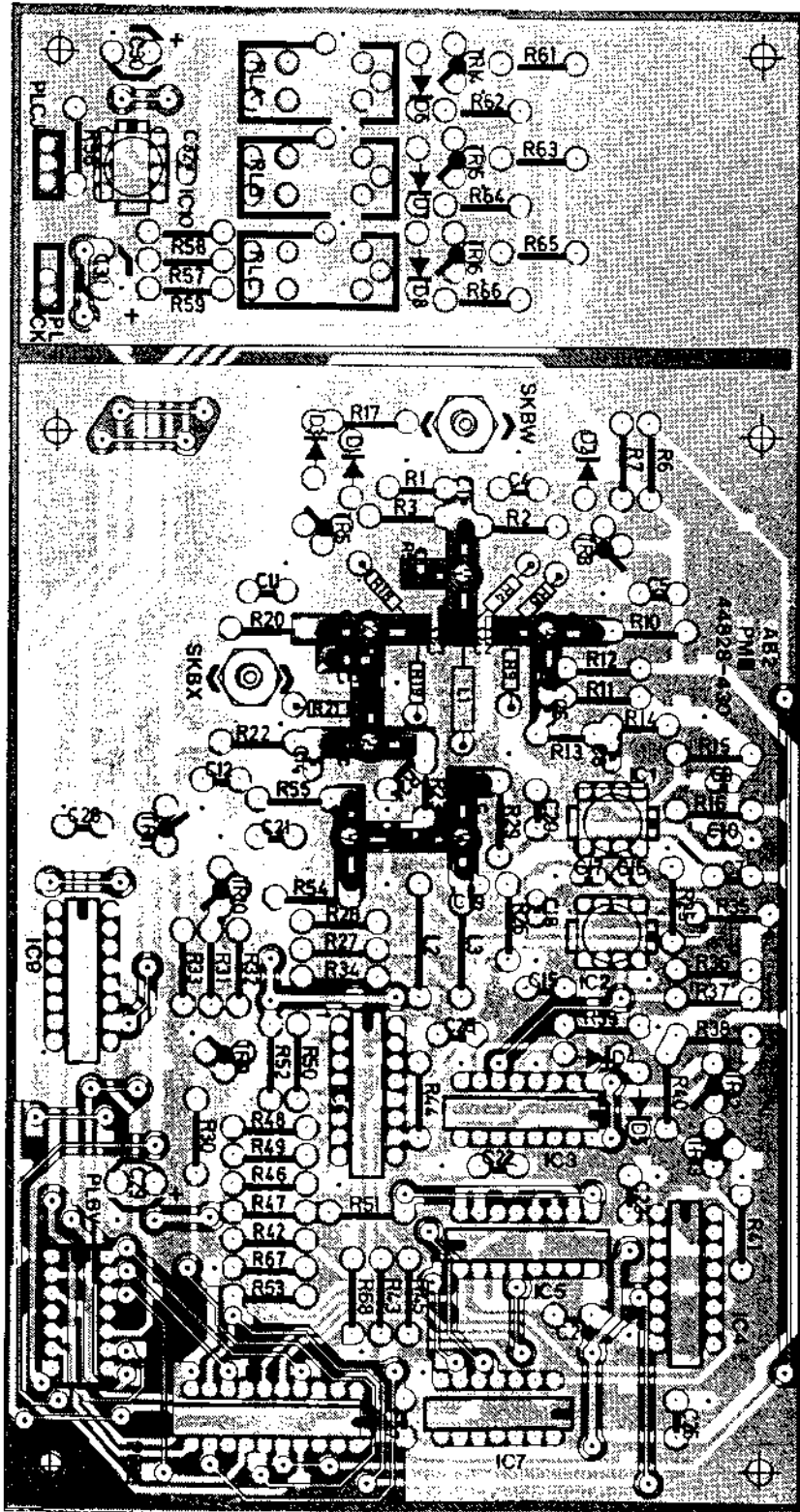
Fig. 7a
Sep. 81



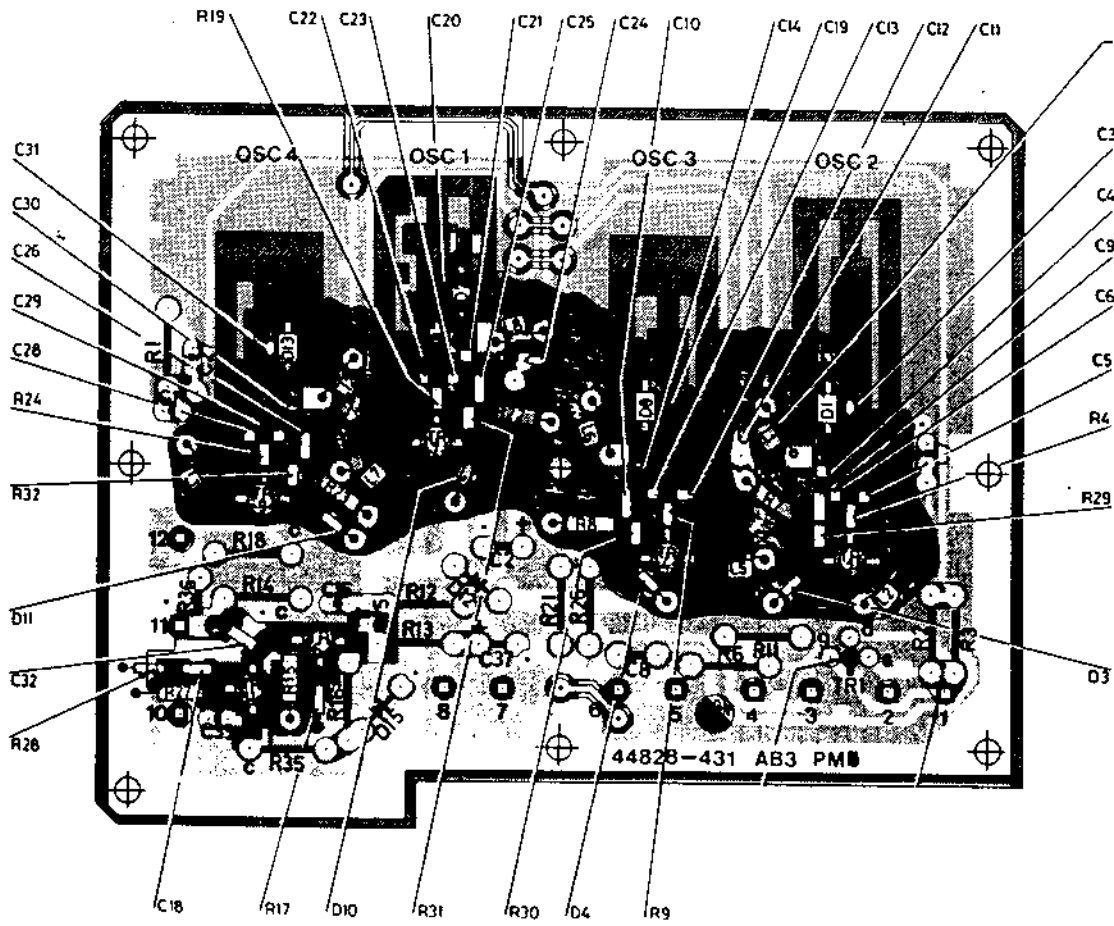
Component layout, AA3



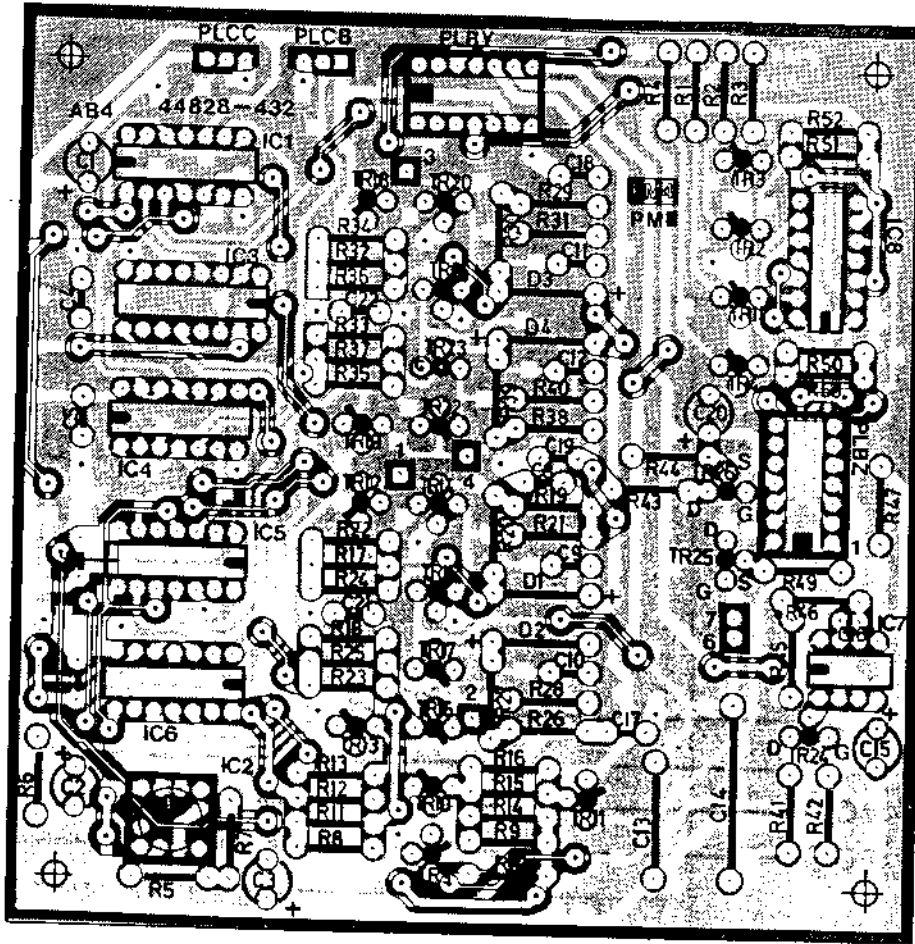
Component layout, AB1



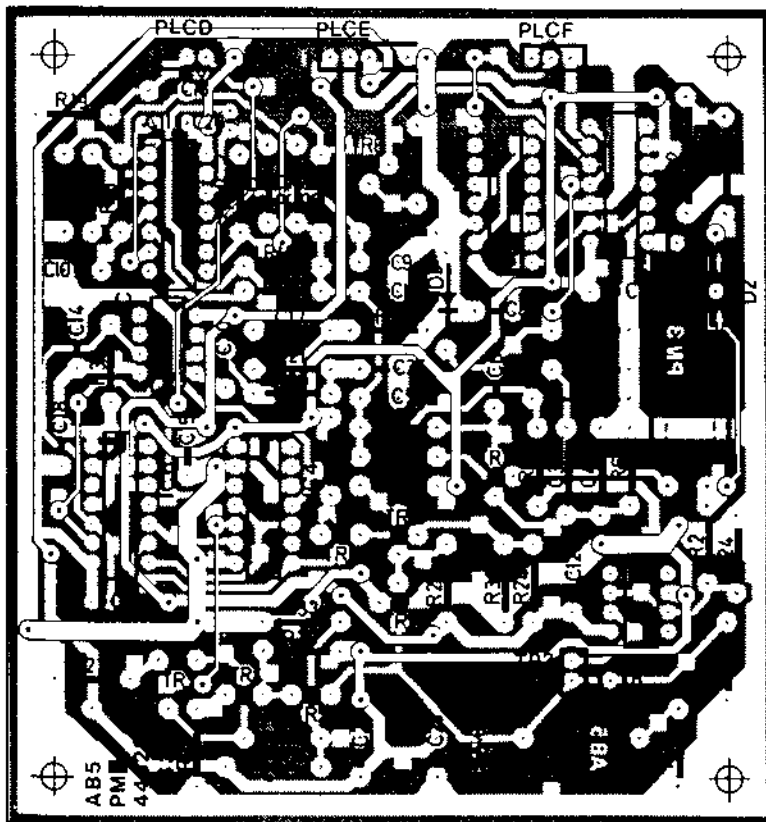
Component layout, AB2



Component layout, AB3



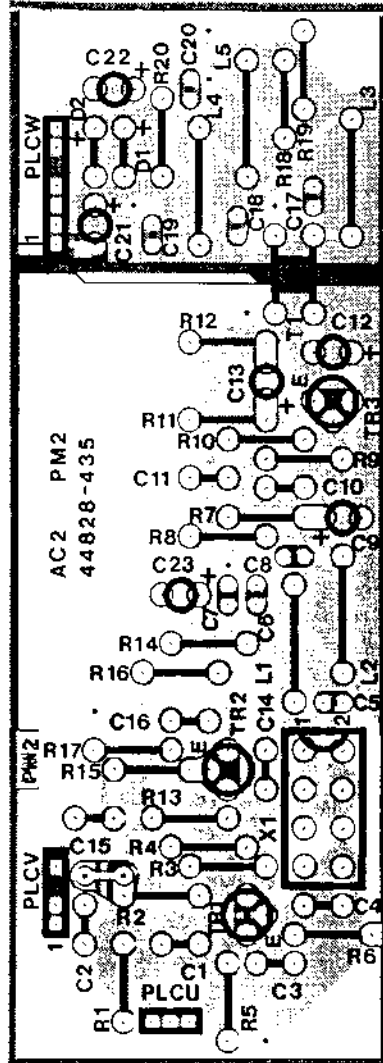
Component layout, AB4



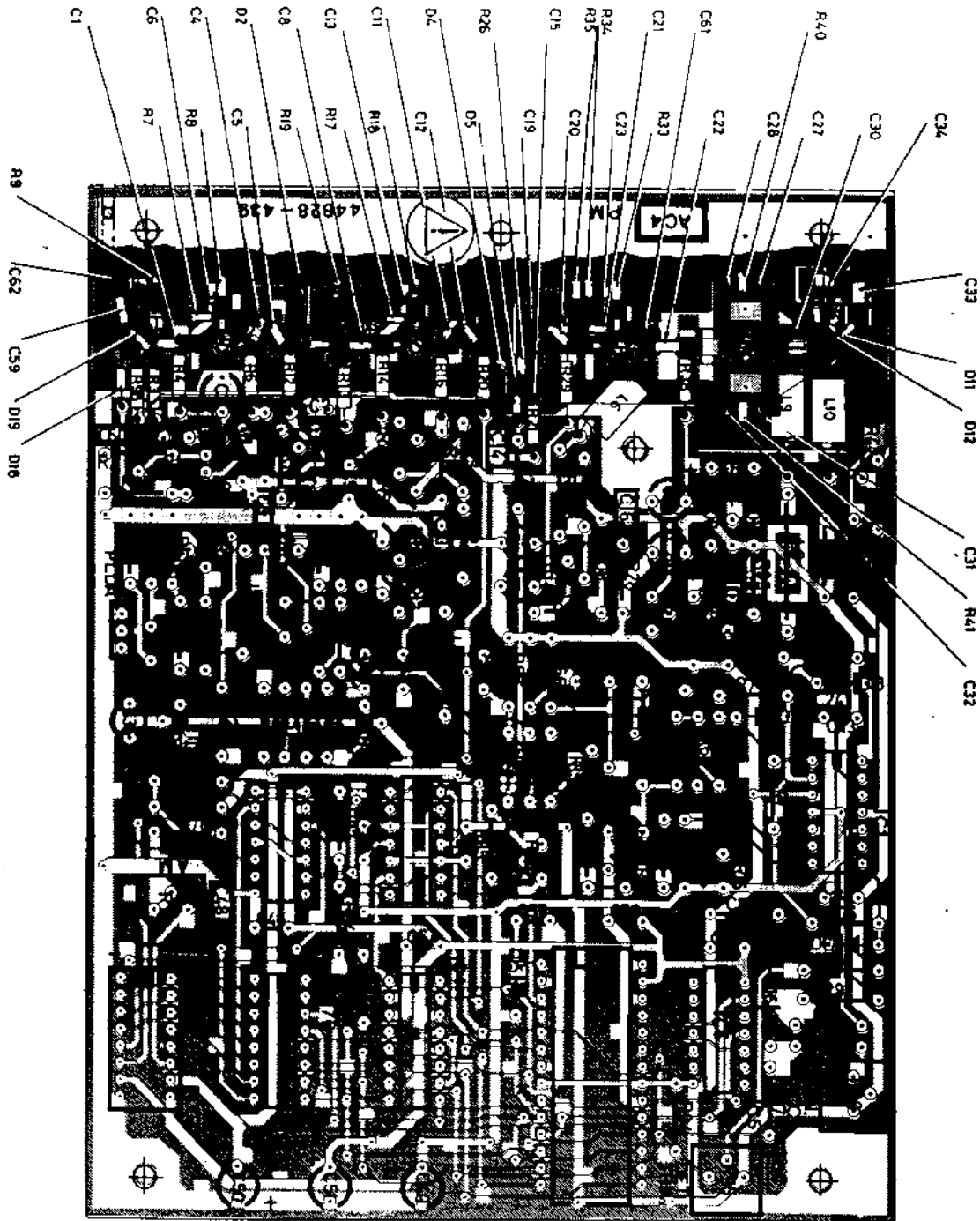
Component layout, AB5

Fig. 13a

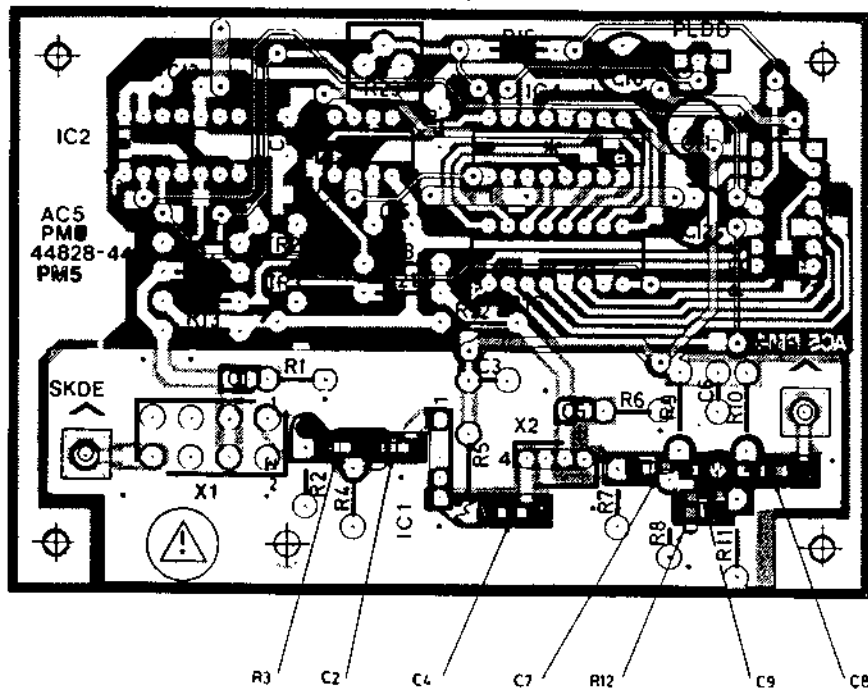
Sep. 81



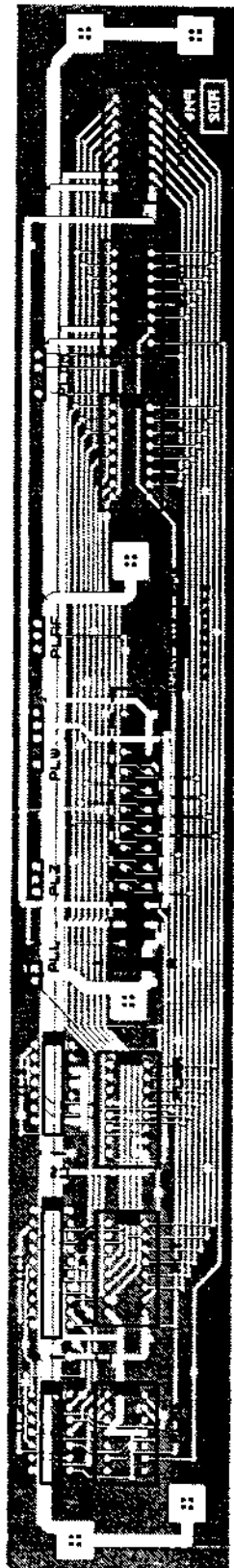
Component layout, AC2



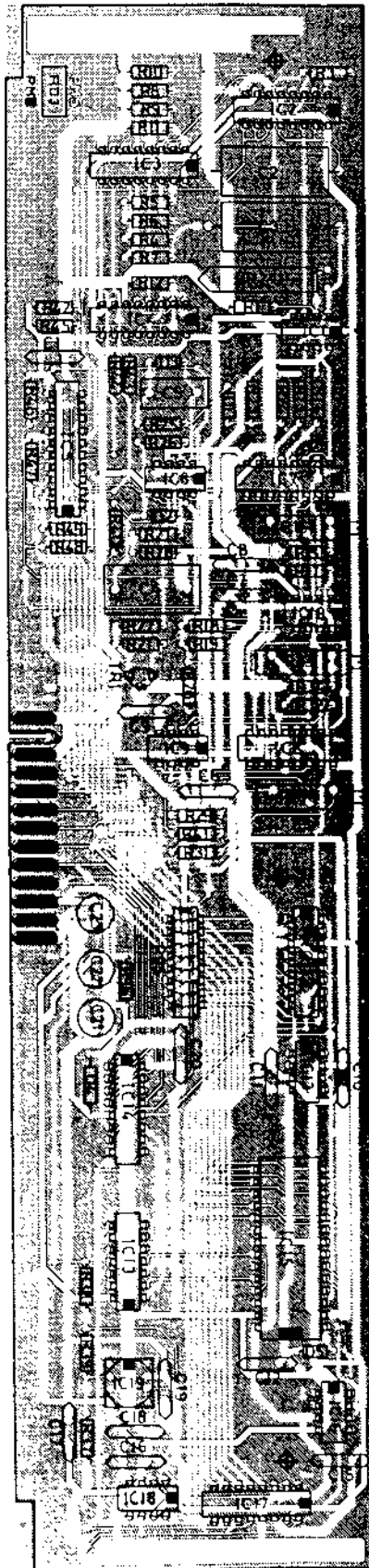
Component layout, AC4



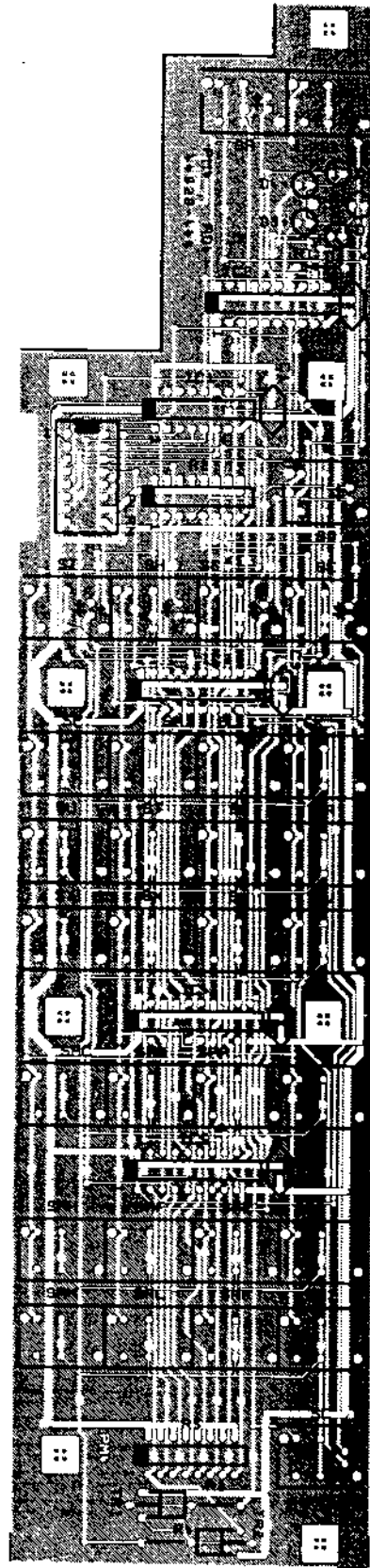
Component layout, AC5



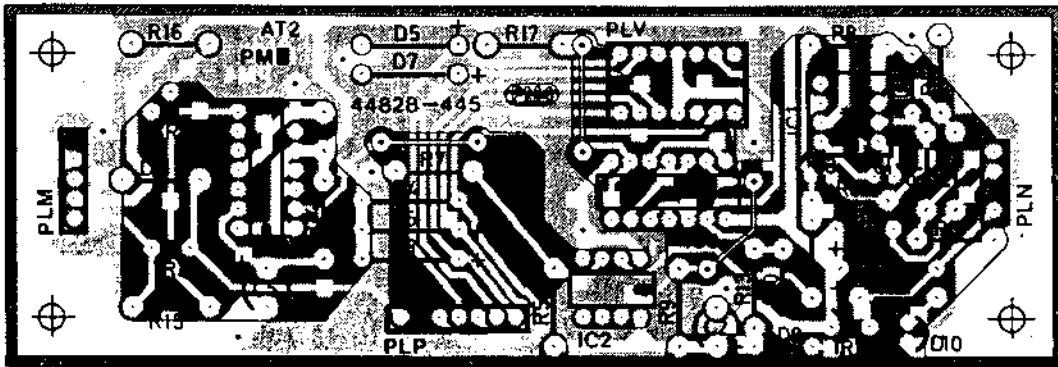
Component layout, AD2



Component layout, AD3



Component layout, AD4



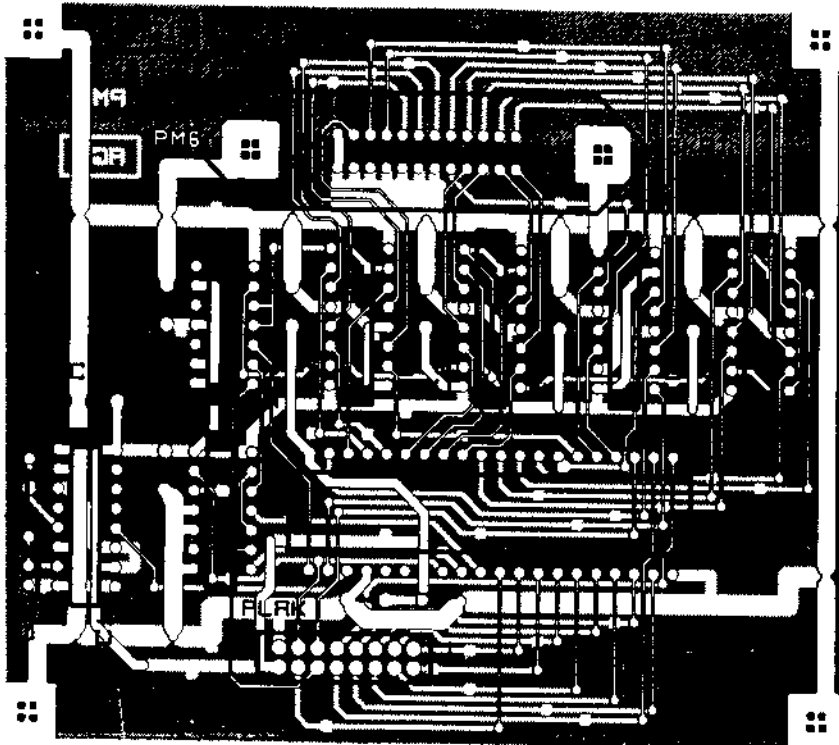


Fig. 27a
Chap. 7
Page 54

Component layout, AGO

Fig. 27a

Sep. 81