

INSTRUCTION MANUAL
FOR
WITHSTANDING VOLTAGE TESTERS
MODELS TOS8700 & TOS8750

KIKUSUI ELECTRONICS CORPORATION

86.5.11

On Power Supply Source, it is requested to replace the related places in the instruction manual with the following items.

(Please apply the item of ✓ mark)

- Power Supply Voltage: to ... 120 ... V AC
- Line Fuse: to A
- Power Cable: to 3-core cable (See Fig. 1 for the colors)

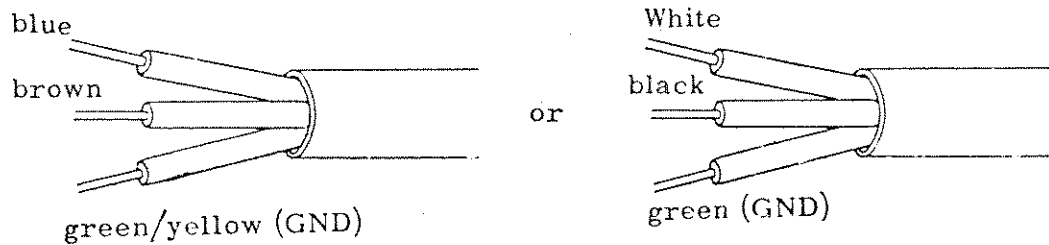


Fig. 1

Please be advised beforehand that the above matter may cause some alteration against explanation or circuit diagram in the instruction manual.

- * AC Plug : In case of the Line Voltage 125VAC or more, AC Plug is in principle taken off and delivered, in view of the safety.
(AC Plug on 3-core cable is taken off in irrelevancy with the input voltages.)

Before using the instrument, it is requested to fix a suitable plug for the voltage used.

76091

TABLE OF CONTENTS

	<u>PAGE</u>
1. GENERAL	1
2. SPECIFICATIONS	2
3. PRECAUTIONS BEFORE USE	8
3.1 Unpacking and Inspection	8
3.2 Precautions for Operation	8
4. OPERATION INSTRUCTIONS	12
4.1 Description of Front Panels	12
4.2 Description of Rear Panels	17
4.3 Operating Procedure	19
<input type="checkbox"/> Procedure Before Test	19
<input type="checkbox"/> Withstanding Voltage Test Procedure	19
<input type="checkbox"/> GO-NOGO Judgement (Window Comparator Function and Judgement Errors)	22
<input type="checkbox"/> Remote Control	23
<input type="checkbox"/> Output Signals	27
<input type="checkbox"/> Special Mode Settings for Sequences, Etc.	30
o Double-action test-on function	30
o GOOD signal hold function	31
o Momentary test-on function	31
o Current limiting off function (Regulation of the Tester)	32
5. OPERATING PRINCIPLE	34
5.1 Block Diagram	34
5.2 Descriptions of Individual Circuits and Components	34
5.3 Zero-turn-on Switch	36
6. MAINTENANCE	37
6.1 Cautions	37
6.2 Calibration	37
7. OPTIONS	43

1. GENERAL

Models TOS8750 and TOS8700 Withstanding Voltage Testers are for both AC voltage and DC voltage testing, with an AC output rating of 500 VA. The TOS8750 is for an AC output of 5 kV, 100 mA (500 VA) or a DC output of 5 kV, 25 mA (125 W), and the TOS8700 is for an AC output of 10 kV, 50 mA (500 VA) or a DC output of 10 kV, 10 mA (100 W), and can be used for withstanding voltage test in compliance with JIS, Electrical Appliance Control Ordinance, UL, CSA, BS and other major electrical standards and ordinances. They can be used for withstanding voltage test (dielectric strength test) of the various types of electrical and electronic equipment and components.

The Testers have a GO-NOGO judgement function, a test result output function, and a remote control function. The GO-NOGO judgement function is with a window comparator system. It generates an NG signal when a leak current larger than the judgement reference value set on the front panel has flowed and it also can generate an NG signal when the detected current is less than 1/10 of the set value. With these features, GO-NOGO judgement can be made including to some extent such abnormal states as open circuiting or imperfect contacting of test leadwires. Regarding the test result output function, the Testers deliver a test signal, a GOOD signal or an NG signal, all of which are contact signals. By employing the GO-NOGO judgement function in conjunction with the remote control function, an automated and labor-saving withstanding voltage test system can be realized.

The Testers, which employ a hazardously high voltage, are incorporated with the various provisions for the safety of the operator and for protection of the Testers themselves against erroneous operations. The sequence circuit is designed to be free from erroneous operations caused by noise, making the Testers highly reliable instruments.

This instruction manual is applicable to both TOS8750 and TOS8700. Read the items relevant to respective models.

2. SPECIFICATIONS

Model		TOS8700	TOS8750	
Test voltage	Applied voltage		AC/DC	
			0 - 3/0 - 10 kV	0 - 1.5/0 - 5 kV
	AC	Output (with 100 V AC line)	500 VA (Note 1)	
			10 kV, 50 mA	5 kV, 100 mA
		Waveform	AC line voltage waveform	
		Voltage regulation (with 100 V AC line)	20 % or better	
			(For change from maximum rated load to no load)	
	Switching	Zero-turn-on switch (zero-start switch) is used.		
	DC	Output (with 100 V AC line)	100 W	125 W
			10 kV, 10 mA	5 kV, 25 mA
		Ripples	10 kV, no load: 120 Vp-p (typical)	5 kV, no load: 40 Vp-p (typical)
			Maximum rated load: 1700 Vp-p (typical)	Maximum rated load: 800 Vp-p (typical)
Voltage regulation (with 100 V AC line)	20% or better	25% or better		
	(For change from maximum rated load to no load)			
Current limiting (Note 2)		<ul style="list-style-type: none"> o A limiting resistor is inserted in the primary circuit of high voltage transformer. o When in AC mode and cutoff current range is 0.5 - 10 mA, the current limiting function is selectable with an internal switch. 		
Output voltmeter	Scales		Common for AC/DC	
			3/10 kV FS	1.5/5 kV FS
	Class		JIS Class 1.5	
	Accuracy		±3% FS	
AC indication graduation		Mean-value response/rms-value graduation		

Model		TOS8700	TOS8750
Judgement of test result (Cutoff of output by leak current detection)	Judgement system	<ul style="list-style-type: none"> o Window comparator system o NG judgement when current larger than the set value is detected o NG judgement when current is less than 1/10 of the set value is detected o When NG judgement is made, the output is cut off and an NG alarm is generated. o If no abnormal state is found during the set period, the GOOD signal is generated. 	
	Reference value setting	0.5, 1, 2, 5, 10, 50 mA	0.5, 1, 2, 5, 10, 100 mA
		The highest ranges (50, 100 mA) are for AC only.	
	Multiplier	<ul style="list-style-type: none"> o Each of the above setting values can be multiplied up to 2.5 times continuously variably. o The scales are non-calibrated. 	
		Except the 50 mA range of AC and 10 and 50 mA ranges of DC	Except the 100 mA ranges of both AC and DC
	Accuracy of judgement (Note 4)	<ul style="list-style-type: none"> o With reference to high limit (set value): $\pm 5\%$ o With reference to low limit (1/10 of set value): $\pm(20\% + 20 \mu A)$ 	
	Detection system	Current is integrated and compared with the reference value.	
	Calibration	Calibrated for rms value of sine wave, using pure resistive load.	
No-load output voltage needed for detection (Note 5)	Approx. 1100 V when at 50 mA AC setting 300 V when at 10 mA DC setting	Approx. 700 V when at 100 mA DC setting 150 V when at 10 mA DC setting	
Dimensions (Maximum dimensions)	497 W x 330 H x 370 D mm (19.57 W x 12.99 H x 14.57 D in.) (500 W x 345 H x 460 D) mm (19.69 W x 13.58 H x 16.54 D in.)	350 W x 200 H x 300 D mm (13.78 W x 7.87 H x 11.81 D in.) (360 W x 220 H x 355 D) mm (14.17 W x 8.66 H x 13.98 D in.)	
Weight	Approx. 40 kg (89 lb)	Approx. 26 kg (58 lb)	

Note 1: The period during which the Testers can be continuously operated with their maximum rated currents is up to 30 minutes.

Note 2: When the cutoff current setting is at the 100 mA (50 mA) AC range or at the 10 mA range and the multiplier is used or when it is at any one of the DC ranges, the current limiting function is cleared unconditionally. (The value enclosed in the parentheses is for the TOS8700.)

Note 3: Slight arc discharge may occur in the TOS8700 when its output voltage is set at 6 kV or over in ambient humidity 75% or over. This, however, is a normal indication and does not adversely affect the instrument operation.

Note 4: ① When the output voltage is set at a low voltage in the DC mode, larger errors may be caused by ripples. The specification accuracy is met when the output voltage is 500 V or over for the TOS8700 or 200 V or over for the TOS8750.

② When in the AC mode, the current which flows through the stray capacitances of the output circuit and measuring leads also causes measuring errors. The overall judgement error is the sum of this current and the above-mentioned judgement accuracy. Approximate values of such currents are shown in the following table. Note that, at high-sensitivity high-voltage test, the current which flows through the stray capacitances becomes larger than the low-limit judgement value and low-limit judgement may not be successfully made.

Output voltage	2 kV	4 kV	6 kV	8 kV	10 kV
Main unit only (without measuring leadwires)	8 μ A	16 μ A	24 μ A	32 μ A	40 μ A
When 350-mm-long leadwires are used being suspended in air	12 μ A	24 μ A	36 μ A	48 μ A	60 μ A
When the supplied leadwires (HTL-1.5W) are used	40 μ A	80 μ A	120 μ A	160 μ A	200 μ A

Note 5: Due to the internal resistance of the output circuit, to make NG judgement with the output terminals shorted, a certain level of no-load output voltage is needed. The values of such voltages are shown in the preceding table.

Common Items

Test Voltage waveform:

When an AC voltage is applied to a capacitive load, the output voltage may become higher than that when in no load due to the capacitive components of the load. Especially when the load (specimen) is of a voltage-dependent capacitance type (such as ceramic capacitors), the voltage waveform may be distorted. When the test voltage is 1.5 kV, however, effects caused by a capacitance lower than 1000 pF is negligible.

Test time:

Timer setting time: 2 - 60 sec. (with TIMER OFF switch)

Remote control:

(1) The test/reset operation can be remote-controlled in the following cases:

- o When the Remote Control Box (optional) is used.
- o When the High Voltage Test Probe (optional) is used.
(CAUTION: THE TEST VOLTAGE MUST NOT BE HIGHER THAN 5 kV.)
- o When the instrument is controlled with a make-contact of a relay or a switch.
- o When low-active control is made with logic elements. The input conditions of the Testers in this case are as follows:
 - o HIGH level input voltage: 11 - 15 V
 - o LOW level input voltage: 0 - 4 V
 - o LOW level sweepout current: 2 mA or less

Note 6: The input terminals are pulled up to +15V supply voltage by a resistor. If the input terminals are made open, the state is identical with that a HIGH level input is applied.

- (2) The Testers can be set to the protected state (the state that TEST ON is disabled) by making open the protection input terminals which normally are shorted with a shorting bar.

Leak current monitor terminals:

When checking or calibrating the cutoff current, an AC or DC milliammeter to monitor the AC or DC current may be connected to these terminals.

Output signals:

The types of the output signals available and the conditions of their generation are as follows:

Name of signal	Conditions for signal generation	Type of signal
TEST signal	During the period the test is performed	Make-contact signal, lamp
GOOD signal	When GOOD judgement is made, 200 msec	Make-contact signal, lamp, buzzer
NG signal	When NG judgement is made, continuous	Make-contact signal, lamp, buzzer

Note 7: (1) The ratings of the contact signal are 100 V AC, 1 A, or 30 V DC, 1 A.

- (2) Loudness of the buzzer sound is adjustable with a single knob in common for both GOOD and NG signals.

Ambient conditions:

Temperature and humidity to meet specified performance: 5 to 35°C (41 to 95°F), 20 to 80% RH

Operatable temperature and humidity: 0 to 40°C (32 to 104°F), 20 to 80% RH

Power supply:

- Supply voltage range: 100 V \pm 10%, 50/60 Hz AC
- Power consumption: 15 VA or less when no load (in the reset state),
Approx. 600 VA when with rated load
- Insulation resistance: 30 M Ω or over, with 500 V DC
- Withstanding voltage: 1000 V AC, 1 minute

Accessories:

- o High Voltage Test Leadwires, HTL-1.5W 1 set
(5 kV or lower)
- o High Voltage Test Leadwire, HTL-1.5WH 1 (for TOS8700 only)
(higher than 5 kV)
- o Shorting Bar to Remote Protection Terminal 1 (Installed on
main unit)
- o Shorting Bar for Current Monitor Terminals 1 (Installed on
main unit)
- o "CAUTION: HIGH VOLTAGE" label 1
- o Instruction Manual 1

Note 8: The "High Voltage Test Leadwire, for 10 kV" which is supplied as an accessory of the TOS8700 is a silicone-sheathed cable with a diameter of approximately 12 mm. Be sure to use this cable when the test voltage is higher than 5 kV.

3. PRECAUTIONS BEFORE USE

3.1 Unpacking and Inspection

The Tester is shipped after being fully adjusted and inspected at the factory. Upon receiving the instrument, immediately unpack it and check for any sign of damage which might have been caused when in transportation. If any damage is found, immediately notify the bearer and, if malfunctioning is found, notify your Kikusui agent.

3.2 Precautions for Operation

The Tester has been designed with full attention to safety because this instrument generates a high voltage. Yet, as the instrument provides as high voltage as 5 kV (or 10 kV in the case of the TOS8700) to the external circuit, serious hazards are unavoidable unless the instrument is handled correctly. Be sure to observe the following when operating the instrument.

- (1) Be sure to connect securely the GND terminal to a good grounding earth line. If grounding is imperfect, the instrument casing can be charged to the high voltage of the instrument when the output is shorted to the ground line or power line and hazards can be caused to the operator when he touches the instrument.
- (2) The connection method of the test leadwire of the GND side is shown in Figure 3.1. Be sure to check for that this leadwire is not open, each time the instrument is used. Also be sure to connect at first the GND terminal to the ground line of the measured object. If it is not securely connected, the measured object becomes a floated state and a dangerously high voltage may be built up in the measured object.
- (3) Be sure to wear gloves whenever operating this instrument, in order to guard against electric shock hazards.
- (4) Before turning on the power switch, make it sure that the TEST VOLTAGE dial is in the counterclockwise extreme position ("0" position).

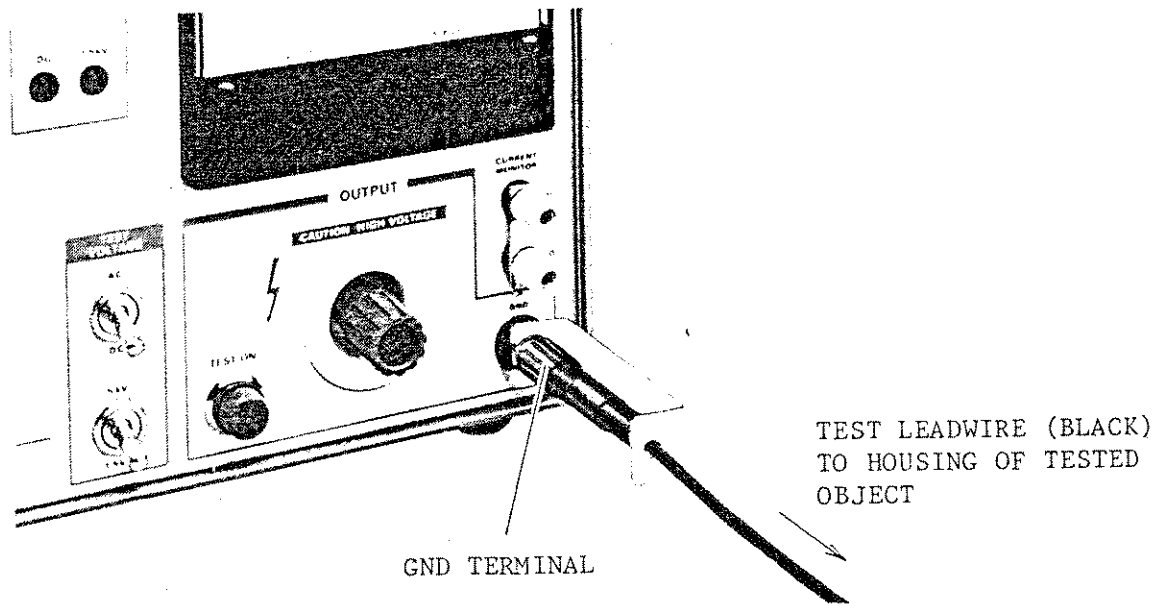


Figure 3.1

- (5) Except when test is being executed, keep the TEST VOLTAGE dial in the counterclockwise extreme position ("0" position). Also, press the RESET (HV OFF) button for the sake of safety. Be sure to turn off the power switch each time the instrument is not used even for a short period of time or when the operator leaves the instrument.
- (6) Before changing the voltage RANGE switch or the AC/DC selector switch, make it sure that the instrument is in the reset state and the TEST VOLTAGE dial is turned to the counterclockwise extreme position ("0" position) and the output voltmeter indication is zero.
- (7) Never touch the tested object, leadwires or the output terminals when the instrument is in the TEST ON state and the test voltage is being delivered. The vinyl coating of the alligator clips of the test leadwires supplied do not provide sufficient insulation against the high voltage. Never touch the alligator clip when the instrument is in the TEST ON state!

(8) Before touching the test leadwires or output terminals, be sure to check the following:

(a) The output voltmeter indication is zero.

(b) The TEST ON lamp is off.

Also short the high voltage OUTPUT terminal to the GND terminal with the test leadwire of the GND terminal. Especially when the test has been done in the DC mode, note that a substantial time may be needed before the electric charges stored in the filter capacitors and the tested object are discharged.

(9) Do not short the output to the ground line or AC power line, lest the instrument housing should be charged up to a hazardously high voltage. It is permissible, however, to short the high voltage OUTPUT terminal to the GND terminal when the instrument housing is grounded to an earth line.

(10) When the instrument is remote-controlled, the high voltage output is turned on and off with an external signal. When operated in this mode, be extremely careful so that the high voltage output is not turned on inadvertently.

(11) In case of an emergency, immediately turn off the POWER switch and disconnect the AC power cord from the AC line receptacle.

(12) If the TEST ON lamp does not go off even when the RESET button is pressed, it is possible that the output is delivered regardless of the TEST ON/OFF control signal. When this state has occurred, immediately stop using the Tester and contact your Kikusui agent for repair.

(13) When the TEST ON lamp has failed and does not turn on, immediately replace it or contact your Kikusui agent.

To operate the instrument in good conditions for a long time, pay attention to the following:

- (1) When in the no-load state, the maximum output voltage of the instrument becomes higher than 5 kV (10 kV). An output voltage higher than 5 kV (10 kV) may be produced also when the AC line voltage has surged up. Be sure to operate the instrument with an output voltage not higher than 5 kV (10 kV). (The value enclosed in the parentheses is for the TOS8700.)
- (2) The heat dissipation capacity of the transformer of this instrument is for one-half of the rated output, from the viewpoints of size, weight and cost. Therefore, continuous operation when the instrument is set at the 100-mA cutoff current range (or at the 50-mA cutoff current range for the TOS8700) must not exceed 30 minutes, at ambient temperature 40°C (104°F). If more test time is required, pause the instrument for the same period as that it has been used and, then, resume operation. This requirement does not apply when the leak current range is 10 mA or less.
- (3) This instrument operates normally with an AC power line voltage range of 100 V \pm 10%. If the AC line voltage is not within this range, the instrument operation becomes unstable and damage may be caused to the instrument. When the AC line voltage in your area is not within this range, step it up or down into this range using an appropriate device.
- (4) Do not use or store the instrument in direct sunlight, in high temperature or humidity, or in dusty atmosphere.

This instrument employs a high voltage output transformer of 500 VA. Therefore, a large input power current (several tens amperes) may flow for several tens milliseconds before the NG signal is detected and the output current is cut off when an overcurrent has flowed in the load being tested. Pay attention to the AC line capacity taking also into consideration the other instruments and devices connected to the same AC power line.

4. OPERATION INSTRUCTIONS

4.1 Description of Front Panel

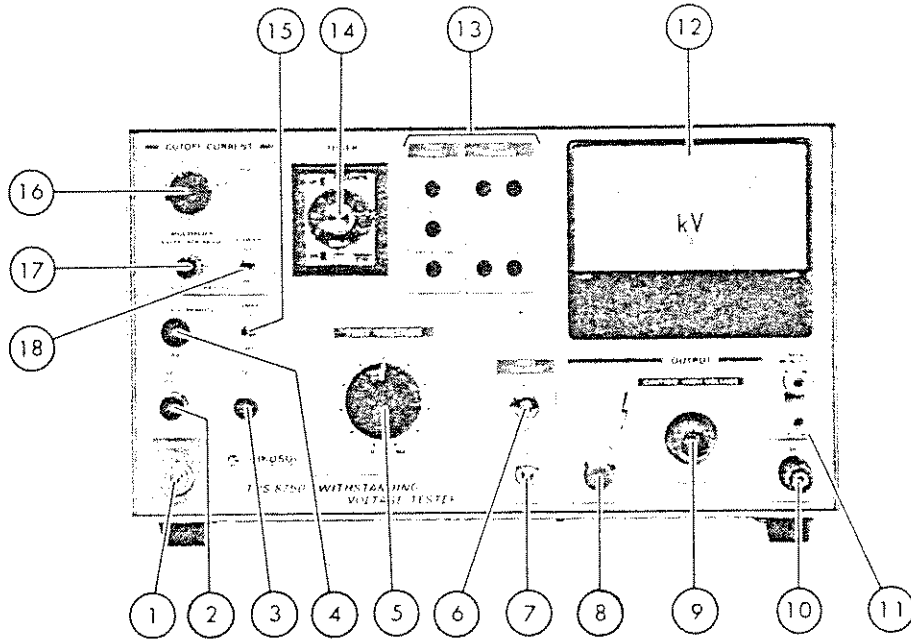


Figure 4.1 Model TOS8750

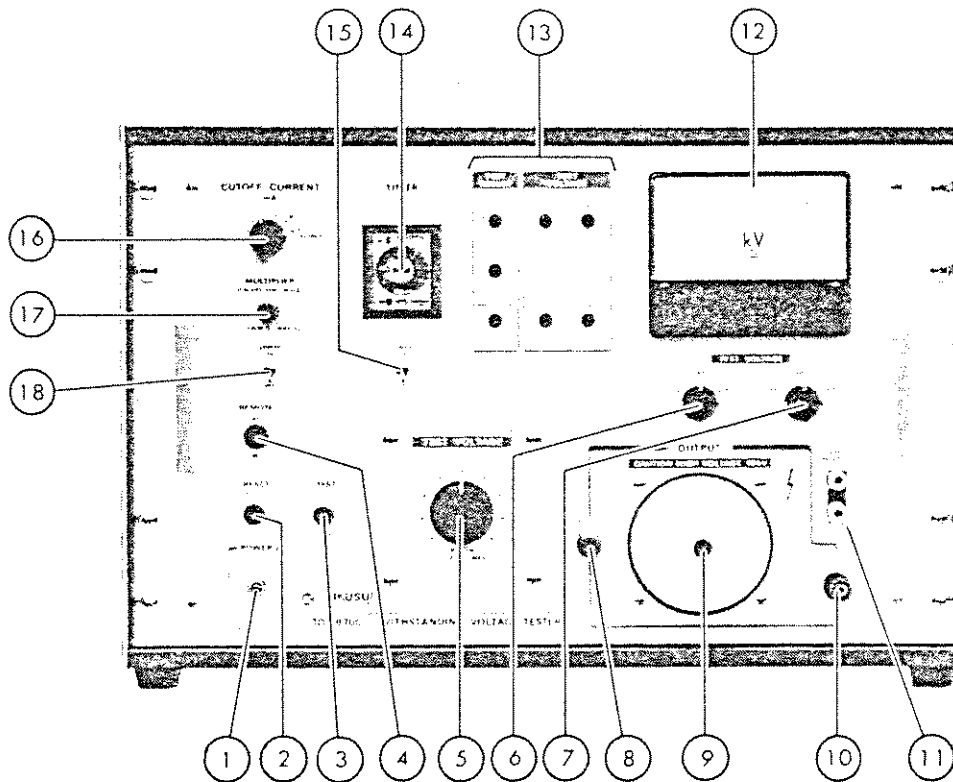


Figure 4.2 Model TOS8700

① POWER (ON/OFF) switch:

Main power switch of instrument. Before turning on this switch, be sure to read Section 3.2 "Precautions for Operation."

② RESET button (HV OFF):

To cut off the HV output when in test operation, press this button. This button is used also to reset the NG alarm state or the PROTECTION state.

③ TEST button:

As you press this button when the instrument is in the reset state, the TEST ON lamp lights and the test voltage as set by the TEST VOLTAGE dial is delivered to the output terminal.

④ REMOTE CONTROL connector:

When the instrument test/reset is remote controlled, the cable of the remote control box (Model 913A, 914A) is connected to this connector. It also is used to connect other control instrument. Be sure to read "Remote Control" of Section 4.3 before operating the Tester in the remote control mode.

⑤ TEST VOLTAGE dial:

For setting the withstanding test voltage. The "0" position is for the minimum output and the voltage increases as this dial is turned clockwise. Be sure to keep this dial in the "0" position whenever no test is being done.

⑥⑦ TEST VOLTAGE selectors (The ones enclosed in the parentheses are for the TOS8700.)

o AC/DC (AC/OFF/DC) switch:

To select the AC mode or the DC mode for the test voltage. (When this switch is set to OFF, the instrument is in the

PROTECTION state and no test voltage is delivered even if the TEST button is pressed.)

- o 1.5kV/5kV (3kV/OFF/10kV) switch:

This switch is to select a test voltage range. It is linked to the voltmeter range selector. (The OFF position is for the PROTECTION function the same as above.)

- ⑧ TEST ON lamp:

This red lamp indicates that the test voltage can be delivered to the OUTPUT terminal simply by turning ⑤ TEST VOLTAGE dial or that the test voltage is being delivered.

- ⑨ OUTPUT terminal:

The hot line of the test output voltage.

- ⑩ GND terminal:

The ground line of the test output voltage. Electrically, this line is connected to the instrument chassis.

- ⑪ CURRENT MONITOR terminals:

The cutoff current can be directly monitored by disconnecting the shorting bar from these terminals and connecting a milliammeter (AC/DC) between them. The milliammeter should be capable of measuring the cutoff current. Be sure to connect the shorting bar when no milliammeter is connected between these terminals.

- ⑫ Voltmeter:

Indicates the output voltage (the voltage of the high voltage output terminal).

⑬ Indicator lamps (The items enclosed in the parentheses are for Model TOS8700.)

- o TEST VOLTAGE, 1.5kV/5kV (3kV/5kV)

These red lamps indicate the test voltage range selected.

- o AC/DC

These lamps indicate whether the test voltage is AC or DC.

- o TEST RESULT, GOOD/NG

The GOOD lamp turns on if the result of judgement is good or the NG lamp turns on if it is no good. The NG lamp lights continuously, while the GOOD lamp lights only for about 200 msec. If the timer is not used for test, the GOOD judgement is not done.

- o PROTECTION

When in any of the following cases, the Tester is driven into the protected state and the output is cut off. When this state has occurred, eliminate the cause of trip of the protective circuit and then press the RESET button to reset the Tester.

- (1) When the TEST VOLTAGE selector [⑥ AC/DC (AC/OFF/DC) switch or ⑦ 1.5kV/5kV (3kV/OFF/10kV) switch] is operated for test mode change. (when the selector is turned to the OFF position.)
- (2) When the REMOTE CONTROL connector is disconnected or connected.
- (3) When the REMOTE PROTECTION input terminals are made open.
- (4) When the power switch is turned on again after turning it off only for a short period of time.

- (5) When the cutoff current is set at 100 mA (50 mA) in the DC mode.
- (6) (When in the DC mode the cutoff current is set at 10 mA and the MULTIPLIER function is effected.)
- (7) When the cutoff current is set at 100 mA (50 mA) and the MULTIPLIER function is effected.

⑭ TIMER:

For test time setting. The center knob is for time setting.

⑮ TIMER ON/OFF switch:

To select whether the timer is to be used or not. If the switch is set for ON, the test is executed for the period set by the timer. If it is set for OFF, the test is executed continuously until the NG judgement is made or a reset signal is applied.

⑯ CUTOFF CURRENT [mA]:

This knob is to set the leak current detection reference value to the 0.5, 1, 2, 5, 10, or 100 (50) mA. If a leak current larger than the set reference value flows in the tested object, the Tester makes the NG judgement, cuts off instantaneously its output, and generates the NG alarm signal. The reference value should be set in conformity with the specification of the tested object or other requirement. (The value enclosed in the parentheses is for the TOS8700.)

⑰ MULTIPLIER:

This control is capable of multiplying the reference value (which has been set by the CUTOFF CURRENT knob) by a factor of up to 2.5 times continuously variably. In this case, the scales are non-calibrated. The values set by the CUTOFF CURRENT knob are as calibrated with the MULTIPLIER knob set in the CAL'D position.

⑱ LOWER ON/OFF switch:

The Tester generates the NG signal when a current larger than the set value is detected and it also can generate the NG signal when the detected current is less than 1/10 of the set current. This switch selects whether the latter function is to be effected or not.

4.2 Description of Rear Panels

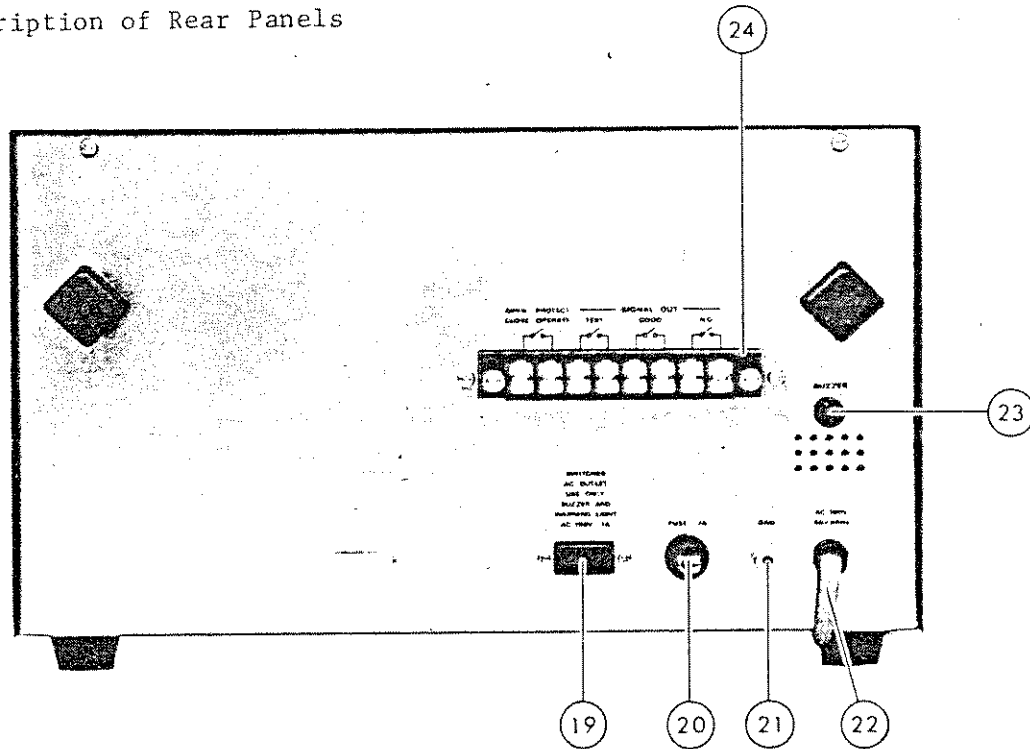


Figure 4.3 Model TOS8750

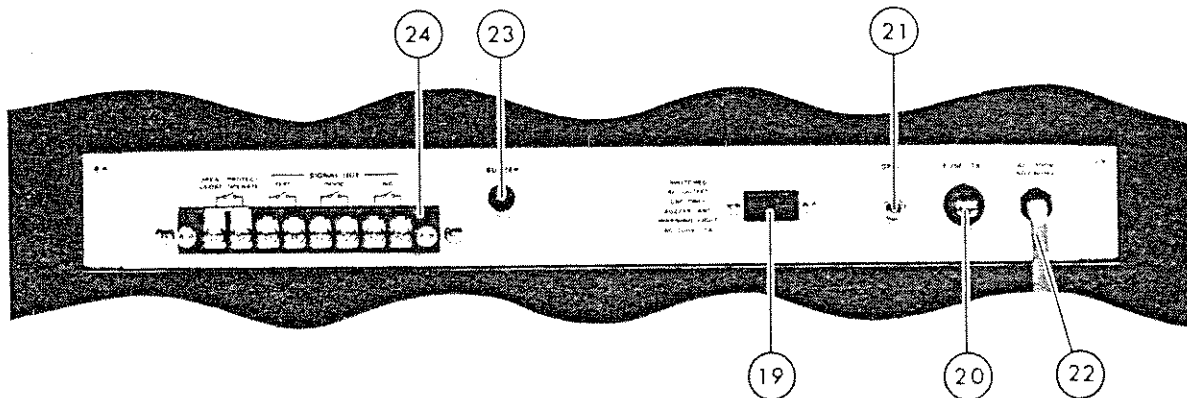


Figure 4.4 Model TOS8700

①9 AC OUTPUT receptacle:

This AC receptacle provides a 100-VAC power exclusively for Model 9202 Alarm Lamp Unit or Model 9203 Buzzer Unit, which are optional devices. Do not use this AC receptacle for other devices. The power of this receptacle is on/off-controlled being linked to the POWER switch on the front panel.

②0 Fuse:

Fuse (7 amperes) of the AC power line.

②1 GND terminal:

To ground the instrument to an earth ground. Be sure to ground the instrument to the earth via this terminal.

②2 AC 100V 50/60 Hz

The AC input power cord of the instrument

②3 BUZZER loudness control:

Controls the loudness of sound of the NG/GOOD buzzer.

②4 Signal output and remote protection input terminal block

o SIGNAL OUT terminals:

These terminals provide three types of output signals (contact signals), namely, TEST signal, GOOD signal, and NG signal. For details, refer to Item "Output Signals" of Section 4.3.

o PROTECT/OPERATE terminals:

These terminals are for the remote protection input signal. Normally, these terminals are shorted with a shorting bar. If these terminals are made open, the Tester is set to the PROTECTION state and the TEST ON state is disabled.

4.3 Operating Procedure

Procedure Before Test

- (1) Before turning on the instrument power switch, check that the voltmeter is indicating the "0" scale position. If the meter is not indicating the "0" positions, adjust it to this position with its mechanical zero adjustment at its center. If the instrument power has been on, turn it off and then check the meter.
- (2) After thoroughly reading and noting the items of Section 3.2 "Precautions for Operation," turn on the POWER switch and proceed as explained in this section.
- (3) If the PROTECTION indicator lamp on the front panel is lighted, the test is disabled and no test is executed even when the TEST button is pressed. The conditions of lighting of this indicator lamp are as mentioned in Item ⑬ of Section 4.1. To execute the test, eliminate the condition which causes lighting of this lamp and then press the RESET button to reset the instrument.

Withstanding Voltage Test Procedure

- (1) Selecting the test voltage mode:

Select the AC or the DC mode with the TEST VOLTAGE AC/DC switch as required by the object to be tested.

- (2) Precautions for test in the DC mode:

Note that a substantial time may be required before the electric charges stored in the filter capacitors of the Tester and capacitive components of the tested object are completely discharged. That is, once the Tester has been set to the TEST ON mode and the capacitive components have been charged up, the voltage of the output circuit does not instantaneously fall to zero. Before touching the output terminals, test leadwires, or the tested object, make it double sure that the instrument is not in the TEST ON state and the output voltmeter indication is zero.

(8) Test procedure:

- (a) Press the TEST button so that the test operation commences.
- (b) When the period set by the timer has elapsed, the test voltage is cut off and the GOOD signal is generated in the forms of lamp and buzzer and make-contact signal for about 200 msec.
- (c) When a leak current larger than the limit value set by the LEAK CURRENT knob has flowed, the NG judgement is done and the output is instantaneously cut off and the NG alarm signals with a lamp, buzzer and make-contact are generated. Different from the case of the GOOD signal, the NG alarm signals continue until the instrument is reset or a PROTECTION condition signal is applied. To reset the NG alarm signals, press the RESET button.
- (d) When the test in progress is needed to be stopped (the output voltage is needed to be cut off) due to any reason, press the RESET button.

(9) Test without using the timer:

- (a) The timer of the instrument is for 60 seconds maximum. When a test time longer than this or that of unpredictable time is needed, perform the test without using the timer. When a test is done with the LEAK CURRENT RANGE 100-mA (50-mA) setting, however, a continuous test of up to 30 minutes can be done. This, however, does not apply when the set range is 10 mA or lower. (The value enclosed in the parentheses is for the TOS8700.)
- (b) Set the TIMER ON/OFF switch to the OFF position.
- (c) Connect the tested object to the output terminals of the instrument as explained in Step (7).

- (d) Check that the TEST VOLTAGE dial is at the counterclockwise extreme position and then press the TEST button. The TEST ON lamp will light to indicate that the test voltage is ready to apply. Gradually turn clockwise the TEST VOLTAGE dial until the necessary test voltage is obtained. When the required test time has elapsed or when the required condition is obtained, press the RESET button. In this case the GOOD signal is not generated.
- (e) If the NG alarm signal is generated in the above test, the instrument operations are the same with those occur when the test is done using the timer.

(10) Re-application of test voltage (retest):

If the instrument is in the reset state, the test voltage as set by the TEST VOLTAGE dial is delivered to the output terminal simply by pressing the TEST button. If the instrument is generating the NG alarm signal or is in the PROTECTION state, press the RESET button to reset the instrument. If the GOOD judgement is done at the end of the test, the auto reset circuit operates and the instrument is automatically reset.

GO-NOGO Judgement (Window Comparator Function and Judgement Errors)

(1) Window comparator function:

The window comparator function is such that a GOOD (or an OK) judgement is made only when the measured value is within a range between the high limit and the low limit of a reference span.

(2) GO-NOGO judgement function:

The instrument employ a window comparator system for its GO-NOGO judgement. It makes a GOOD judgement only when the measured value is between the high-limit reference value and the low-limit reference value. That is, it makes an NG judgement when the leak current (measured value) is larger than the set value (high-limit reference value) and it also can make the NG judgement when the current (measured value) is smaller than 1/10 of the set value (low-limit reference value).

The window comparator function can be effectively employed when ununiformity of leak current of the tested objects is within a certain range and the leak current value is larger than the value detectable by the Tester. In this case, even the tested objects with very small leak currents can be detected and open circuiting of the test leadwires and imperfect contacting of the test leadwire connections also can be detected.

When test voltage setting is done in the no-load state or when almost no current flows in the tested object, however, it would be inconvenient if the low-limit judgement is abled. In such a case, the low-limit judgement can be disabled by setting the LOWER ON/OFF switch to the OFF state.

- (3) When high sensitivity, high AC voltage test is made, a larger current may flow due to the stray capacitances of the test leadwires, etc. See Note 3 of Section 2 "SPECIFICATIONS." If this current is larger than the low-limit reference value, the low-limit judgement cannot be successfully made. That is, as the tested object is not connected to the Tester, it should generate an NG signal. However, since a current larger than the low-limit reference value is flowing through the stray capacitances, the Tester will erroneously do a GOOD judgement. Pay attention to this when making an overall judgement. Make sure that the Tester can generate an NG signal in the actual test conditions with only difference that the tested object is not connected to the test leadwires.

Remote Control

- (1) The test/reset operation of this instrument can be remote-controlled with the remote control box (option). As the plug of the remote control cable is connected to the REMOTE CONTROL connector on the instrument front panel, the internal circuit is automatically switched to the remote operation mode. In this case, the TEST button on the instrument front panel becomes idle, although the reset operation can be done either locally on the instrument front panel or remotely from the remote controller.

It also is possible to remote-control the instrument without using the remote control box but by using other control device. This method is explained below. Be extremely careful when using this method because the high voltage is on/off-controlled with an external signal. Pay attention so that the high test voltage is not generated inadvertently. Also, provide full measures to ensure that the operator's body is not contacted with the output terminal or the test leadwires when the test voltage is being delivered. When these measures are unavailable, do not use the following remote control method.

- ① By controlling the TEST and RESET contacts shown in Figure 4.5, the test voltage can be on/off-controlled in the same manner as done locally at the instrument front panel.
- ② In the case of the setup shown in Figure 4.6, the test voltage is turned on when the switch is thrown to the NO Position, and the instrument is forcibly reset when the switch is returned to the NC position.

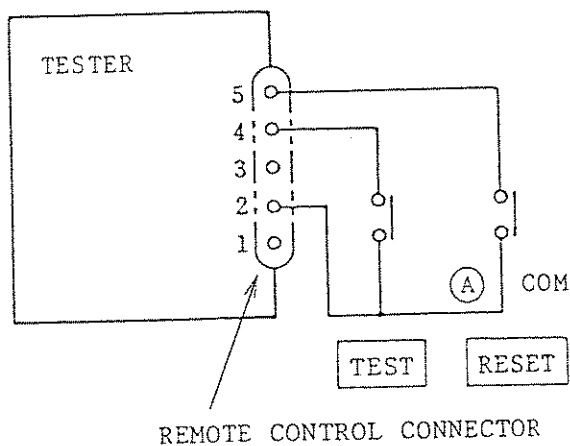


Figure 4.5

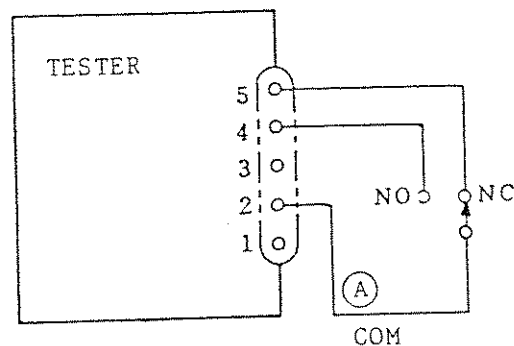


Figure 4.6

- ③ Logic elements (transistors, FET's, or photocouplers) may be used instead of the switches in Figure 4.5. The signal status for such operation is shown in Figure 4.7. The input conditions of this instrument for such operation are as follows:

- o High level input voltage: 11 - 15 V
- o Low level input voltage: 0 - 4 V
- o Low level sweep out current: 2 mA or less
- o Input signal duration needed: 20 msec or less

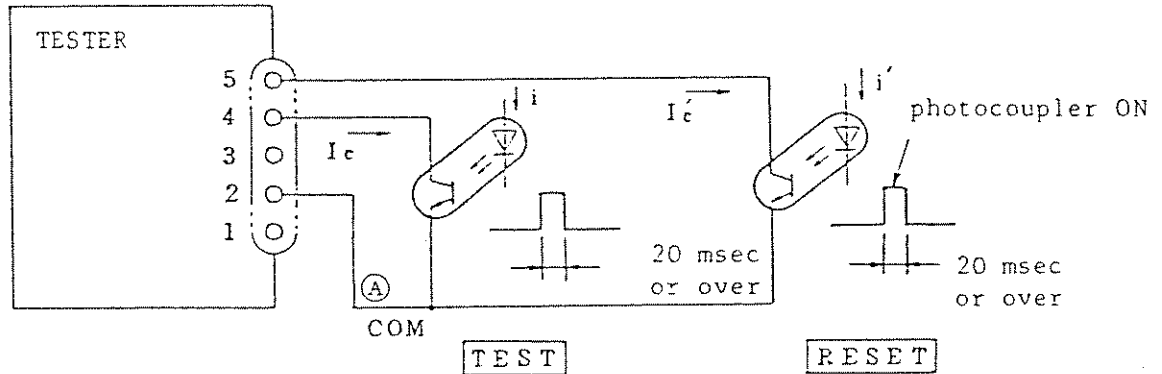
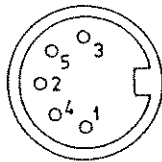


Figure 4.7

- Notes:
1. Each of the gates is pulled up to +15V. If the input terminal is made open, it becomes equivalent with that a high level input is applied.
 2. Pay attention for i and i' so that I_c and I_c' can be pulled by 2 mA or over.
 3. An impedance of 5 M Ω or over is needed between the common line (point (A) in Figure 4.7) of the control circuit and the power line or the ground line.
- (4) As for the elements to be connected to the Tester, the use of photocouplers as shown in Figure 4.7 or relays as shown in Figure 4.5 would be advantageous from the viewpoint of preventing erroneous system operations which could be caused by noise. Although the Testers are incorporated with the various provisions to guard it against erroneous operations caused by noise generated by itself or its related devices, it is most recommendable to take full attention to prevent noise when setting up the measuring system.

- ⑤ Note that the layout of pins of the REMOTE CONTROL connector is as per DIN Standard and is not in the due order of number progression as shown in Figure 4.8.



Layout of connector pins as viewed from panel surface

Figure 4.8

- (2) As one of the remote control functions, the Tester can be driven into the PROTECTION state with an external signal. The PROTECTION state is such that the protective function of the Tester is in effect and the output voltage is cut off. Even if the TEST signal is applied (or the TEST button is pressed) when in this state, the Tester does not perform its test operation. With this function, the operator can be protected against undesirable delivery of the test output voltage which could be caused by undesirable external conditions or inadvertent external operations.

A schematic diagram of the control circuit is shown in Figure 4.9. When the contact shown in Figure 4.9 is open, the Tester is in the PROTECTION state. When the contact is closed and the RESET signal is applied (or the RESET button is pressed), the Tester is reset and the TEST ON operation is enabled.

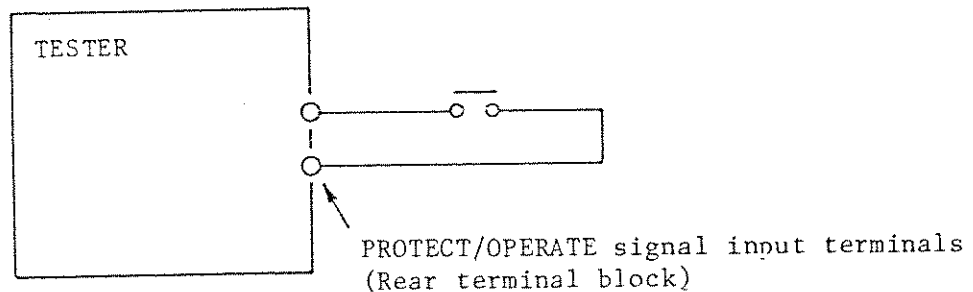


Figure 4.9

The Tester is shipped with these terminals shorted with a shorting bar.

Output Signals

- (1) The Tester provides the following signals in addition to the lamp and buzzer signals.

Name of signal	Condition for generating the signal	Type of signal
① TEST	During test period	Make-contact signal Ratings: 100 V AC, 1 A 30 V DC, 1 A
② GOOD	For 200 msec when test is over	
③ NG	When NG judgement is made	

- ① TEST ON signal: This signal is generated and remains on for the entire period of the test.
- ② GOOD signal: This signal is generated when the GOOD judgement is done at the end the test with the timer. The signal lasts for approximately 200 msec.
- ③ NG signal: This signal is generated when the NG judgement is done. The signal lasts until the next RESET signal is applied.

(2) Contact Signals

- ① The contact signals are only with contacts and without any power sources as shown in Figure 4.10. Therefore, they cannot drive any loads which have no own power sources.

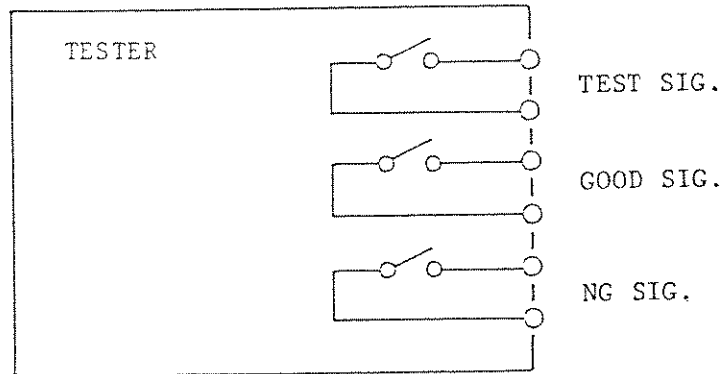


Figure 4.10

A contact which is closed when the signal is applied is called make contact, normally open contact, or form "a" contact. A contact which opens when the signal is applied is called break contact, normally closed contact, or form "b" contact.

The contacts of the Testers are of the make-contact type and their rating is 100 V AC, 1 A or 30 V DC, 1 A. The withstanding voltage between the circuit and the chassis is 500 V AC, 1 minute.

② Examples of uses of contact signals are shown in the following:

- o To drive a DC buzzer with the NG signal

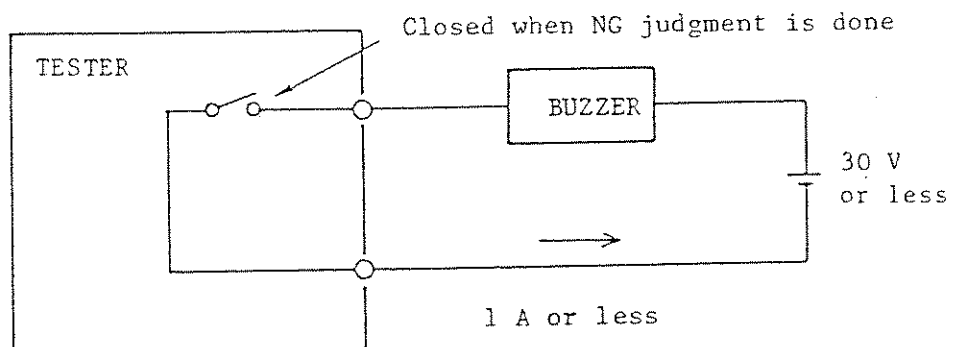


Figure 4.11

- o To drive a lamp with the TEST signal

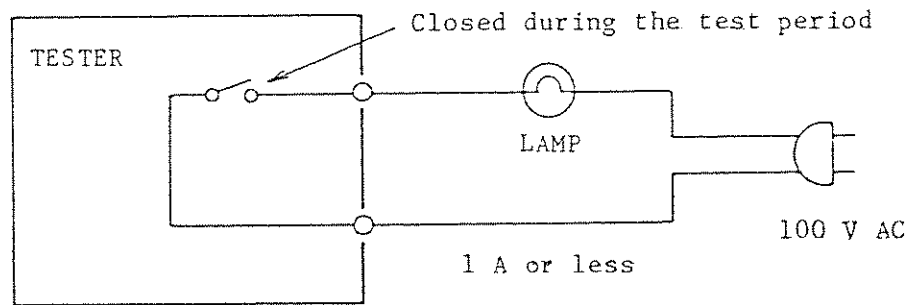


Figure 4.12

- o To obtain an "L" level digital signal with the contact signal

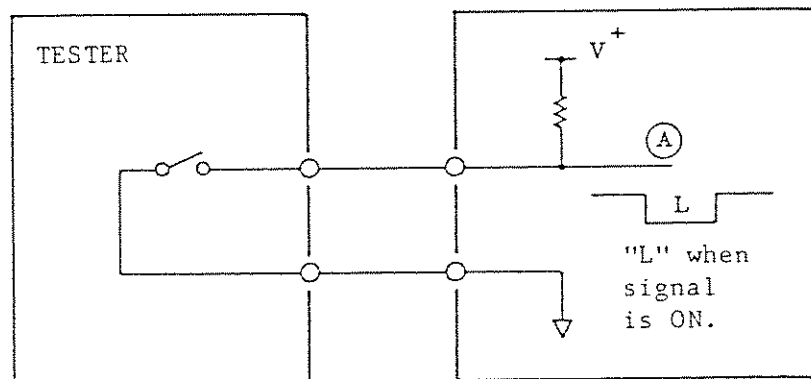


Figure 4.13

In the above illustration, an "L" level signal is obtained at point (A) when the contact output signal is on. However, since the signal obtained at point (A) involves chattering, an appropriate chattering suppression provision should be incorporated depending on the nature of the circuit to be driven by this signal. In some cases, a noise suppression provision may be necessary.

Special Mode Settings for Sequences, Etc.

This instrument is capable of being set for four special modes for sequence operations, etc. Mode settings can be accomplished with the DIP switches on the PC board located in a left-hand position in the casing.

The standard switch setting (the setting for standard operation of the instrument, as set when the instrument is shipped) is as shown in Figure 4.14. By changing the settings of individual switches (1 - 4), settings can be made for the four different modes (1) - (4) as explained in the following. Since modes (1) - (4) are mutually independent, they can be set in any combinations as required.

Standard setting

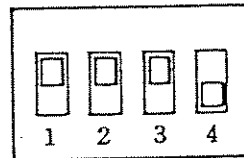


Figure 4.14

(1) Double-action test-on function

Setting of the switches for the double-action test-on function is as shown in Figure 4.15.

Double-action
test-on setting

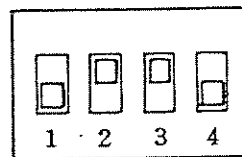


Figure 4.15

When in the standard mode, the Tester becomes the TEST ON state when the TEST button is pressed after the RESET button has been pressed. When in the double-action test-on mode, the Tester does not become the TEST ON state unless the TEST button is pressed within approximately 0.5 sec after the RESET button has been pressed. That is, the test operation does not start simply by pressing the TEST button alone but it starts only when both RESET and TEST buttons are pressed in a close sequence. Thus, while the procedure is more complicated, a high operation safety can be attained. This function is effective also when in the remote control operation.

(2) GOOD signal hold function

Setting of the switches for the GOOD signal hold function is as shown in Figure 4.16.

GOOD signal hold
function setting

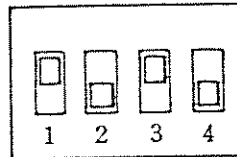


Figure 4.16

When the Tester is set in the standard mode and it has made a GOOD judgement, it generates a GOOD signal for about 200 msec. When the Tester is set in the GOOD signal hold mode, the GOOD signal lasts until the RESET signal is applied. The GOOD signal is delivered in the forms of a lamp signal, a buzzer signal, and a make-contact signal. Of these signals, the lamp signal and make-contact signal are discriminated between the GOOD signal and NG signal. The buzzer signal, on the other hand, is used in common for both GOOD and NG signals. The can be discriminated, however, by the levels of loudness of the buzzer sound.

(3) Momentary test-on function

Setting of the switches for the momentary test-on function is as shown in Figure 4.17.

Momentary test-on
function setting

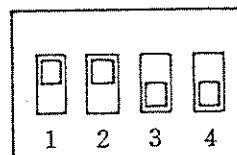


Figure 4.17

With the Tester set in the standard mode, once you have pressed the TEST button, the TEST ON state continues until the period set by the timer elapses or until you press the RESET button. When the Tester is set in the momentary test-on mode, the Tester is held in the TEST ON state only during the period the TEST button is kept depressed. At the instant the TEST button is released, the test operation stops. Thus, as your hand is held up by the TEST button during the period the test is on, a higher safety of test operation can be attained.

Still higher safety is attainable by using Model 914A Remote Control Box (both-hand type control box) in conjunction with this momentary test-on function.

When in the timer mode of operation and the period set by the timer has elapsed, the Tester generates a GOOD signal for about 200 msec and the test operation terminates. If you keep depressed the TEST button, the test will start again when the period of about 200 msec has elapsed. So, release your hand from the TEST button immediately when the GOOD signal is generated.

Never touch the tested object, the test leadwires, the output terminals or other electrically charged parts when you are keeping depressed the TEST button.

(4) Current limiting off function (regulation of the Tester)

Do not use this function when in the DC mode, so far as avoidable. Setting of the switches for the current limiting "off" function is as shown in Figure 4.18. (In the following, the items enclosed in the parentheses are for Model TOS8700.)

Current limiting off
function setting

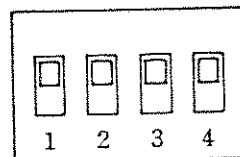


Figure 4.18

When the Tester is set for AC operation in the standard mode, a current limiting function is provided for the CUTOFF CURRENT ranges of 0.5 - 10 mA, by inserting a resistor of approximately 5 ohms (7 ohms) in the primary circuit of the high voltage transformer in order to suppress the high regulation by providing a certain level of current limiting effect in case of shorting of the load or other abnormal cases, thereby enhancing the operation safety and preventing damage to the tested object.

When the Tester is set in the current limiting "off" mode, the current limiting resistor is shorted with a relay so that a high regulation is attained. When the current limiting resistor is inserted, the regulation for current change from

10 mA to no load with the CUTOFF CURRENT set at 10 mA and the output voltage set at 5 kV (10 kV) is approximately 6% (13%). When the current limiting function is off, the regulation under the same conditions is approximately 2% (3%).

Except when there are special needs, operate the Tester in the standard mode (current limiting "on" mode) from the viewpoint of safety of the operator and prevention of damage to devices.

However, when the CUTOFF CURRENT is set at 10 mA and the MULTIPLIER function is used or when the CUTOFF CURRENT is set at 100 mA (50 mA), the current limiting resistor is not inserted even if the Tester is set in the standard mode.

If in the DC mode, even when in the standard setting, the current limiting resistor is shorted by the relay immediately after the instrument is driven into the TEST ON state, regardless of CUTOFF CURRENT range setting. Therefore, the current limiting function is not effective when in the DC mode. On the contrary, if the current limiting function is set to "OFF" when in the DC mode, it is possible that overshoots of approximately 10% are produced when the instrument is driven into the TEST ON state. If it is unavoidable to operate instrument in the "current limiting function OFF" state, be sure to observe the following procedure.

- ① Turn the TEST VOLTAGE dial to the counterclockwise extreme position ("0" position).
- ② Press the TEST button.
- ③ Gradually raise the output voltage to the required value by turning clockwise the TEST VOLTAGE dial.

5. OPERATING PRINCIPLE

5.1 Block Diagram

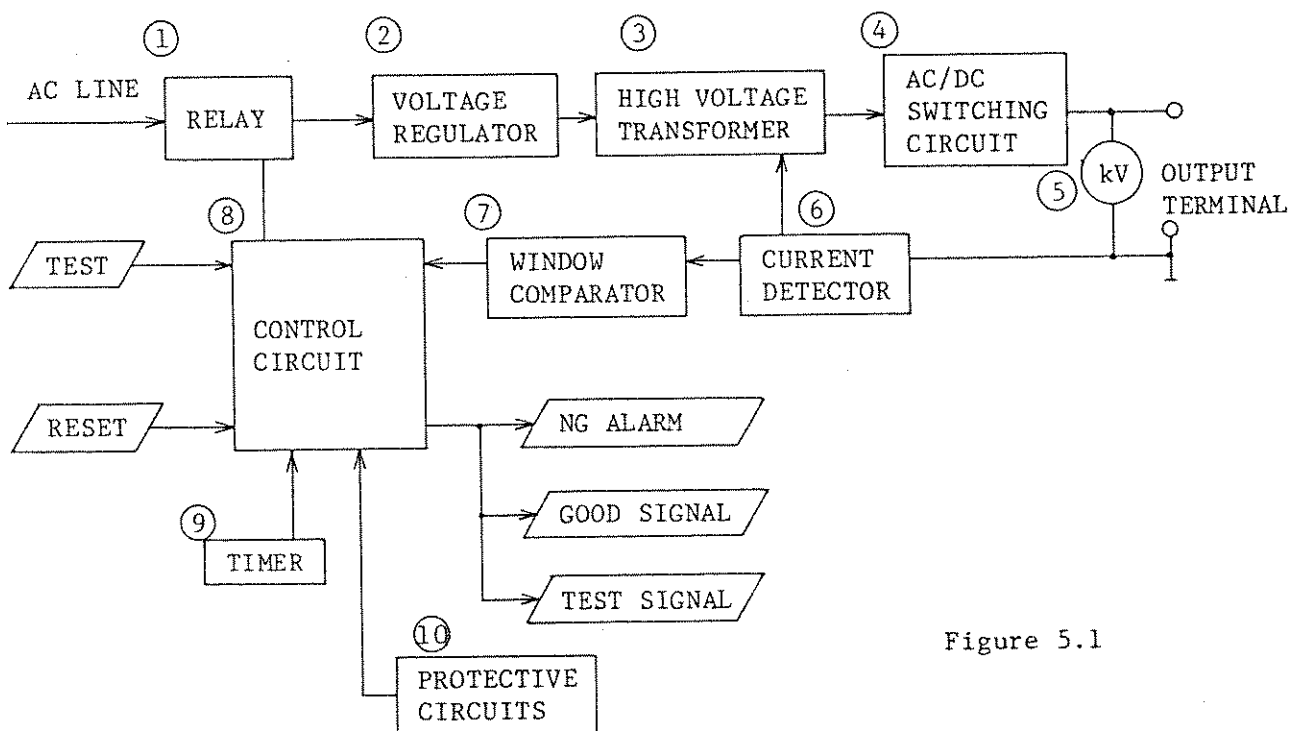


Figure 5.1

5.2 Descriptions of Individual Circuits and Components

① Relay:

On/off-controls the power applied to the voltage regulator for withstanding voltage test. A solid-state zero-turn-on type relay circuit is employed to minimize transient spike voltages caused when the relay is turned on or off.

② Voltage regulator:

A slide transformer is used to control the output voltage.

③ High voltage transformer:

Boosts the voltage regulator output with a ratio of approximately 1:15 or 1:50 (1:30 or 1:100) into a high output voltage of 0 to 1.5 kV or 0 to 5 kV (0 to 3 kV or 0 to 10 kV). The

AC rating is 5 kV, 100 mA (10 kV, 50 mA), 500 VA. (The values enclosed in the parentheses are for Model TOS8700.)

④ AC/DC switching circuit:

Selects between the AC output voltage and the DC output voltage by relays for high-voltage use.

(The TOS8700 employs a high-voltage rotary switch.)

⑤ Voltmeter:

Indicates the output voltage (the voltage of the output terminal).

⑥ Current detection circuit:

Consists of a full-wave-rectifier diode bridge circuit, current detecting resistors for respective ranges, and an integrating circuit.

⑦ Window comparator:

Consists of a reference voltage generator circuit, and a high and a low comparator circuit. Makes GO-NOGO judgement.

⑧ Control circuit:

Controls overall sequence operations of the instrument.

Employs high-reliability logic circuits with CMOS IC.

⑨ Timer

To set the test time.

⑩ Protection circuit:

Various protective features are incorporated for the safety of test. When the protection circuit has tripped, the output voltage is cut off.

5.3 Zero-turn-on Switch

If a regular mechanical contact type relay is used for on-off operation of the primary circuit of the high voltage transformer, transient spike voltages may be produced, thereby applying an unjustifiedly high voltage to the tested object and causing a possibility of rejecting an acceptable tested object or damaging it. The zero-turn-on switch, which employ a solid-state switching circuit, turns on and off the power line at approximately 0 volt level, thereby reducing transients overshoots.

However, if the tested object is connected under the state that the test voltage is being delivered, spikes are produced at the instant of contacting and the effect of the use of the zero-turn-on switch is lost. It also is dangerous. Be sure to turn on or off the test voltage using the TEST and RESET buttons after the tested object is securely connected.

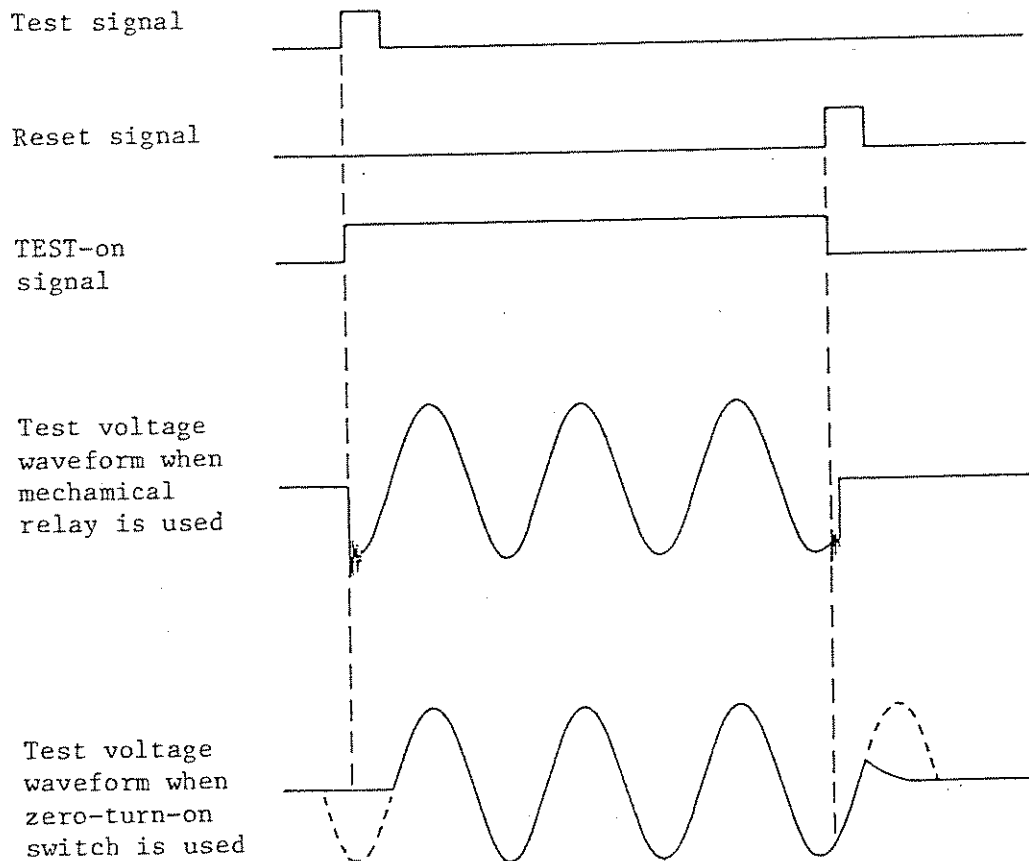


Figure 5.2

6. MAINTENANCE

6.1 Cautions

A hazardously high voltage of a level of 5 kV *(10 kV) is generated by this instrument. Never attempt to repair the instrument for yourself. For such service, contact your Kikusui agent.

This section covers the calibration procedure of the instrument. Be extremely careful not to touch the electrically charged parts.

* (The items marked with an asterisks and enclosed in parentheses are for Model TOS8700. Applicable to Section 6 "MAINTENANCE," throughout.)

6.2 Calibration

This section explains the calibration procedures of the voltmeter and the CUTOFF CURRENT value (except that for the low-limit reference value).

(1) Meters and Resistors Required for Calibration

- ① Voltmeter I: A voltmeter which is capable of measuring 5 kV *(10 kV), AC (50/60 Hz) and DC, with an accuracy of approximately 1%. (Kikusui Model 149-10A, for example)
- ② Voltmeter II: A voltmeter which is capable of measuring 2.5 V DC, with an accuracy of 0.1%.
- ③ Milliammeter: A milliammeter which is capable of measuring 0.5, 1, 2, 5, 10, and 100 *(50) mA AC (50/60 Hz) and DC, with an accuracy of approximately 1%.
- ④ Load resistors: Resistors as shown in Table 6.1, for calibration of CUTOFF CURRENT values. The resistors for the points the calibration of which is omitted are not required.

Table 6.1

Cutoff current [mA]	Load resistor	
	Resistance [Ω]	Power consumption [W]
0.5	2M	0.5
1	1M	1
2	500k	2
5	200k	5
10	100k	10
100 *(50)	10k *(20k)	100 *(50)

Note 1: The working voltage ratings of the resistors must be 1 kV AC or over. The accuracies of resistances must be 5% or better.

Note 2: The resistances must have wattages with sufficient allowances for the above-mentioned power consumptions.

(2) Preparation and Notes Before Starting Calibration

- ① Before turning on the power switch, perform mechanical zero adjustment of the voltmeter.
- ② Turn on the power switch and allow a stabilization period of approximately 15 minutes or over.
- ③ The Testers can be operated either with an AC or an DC output voltage, by switching. In the subsequent explanation, the output voltage mode is not discriminated between AC and DC. Use a voltmeter and a milliammeter corresponding to the output voltage mode. The calibration methods are identical for both modes but the parts numbers of the semi-fixed potentiometers are different. [The parts numbers of the semi-fixed potentiometers for the DC mode are enclosed in brackets, hereafter.]
- ④ The semi-fixed potentiometers are located on the PC board at the left-hand side in the casing. The layout of the potentiometers is shown in Figures 6.3 and 6.4.

(3) Calibration of Voltmeter

- ① Set the switches and knob on the front panel of the Tester as follows:
 - o TEST VOLTAGE switch: 1.5 kV *(3 kV)
 - o TIMER ON/OFF switch: OFF
 - o LOWER ON/OFF switch: OFF
 - o TEST VOLTAGE knob: Counterclockwise extreme position ("0" position)
- ② Connect a standard voltmeter to the output terminal, set the Tester to the TEST ON state, and adjust the output voltage of the Tester so that the standard voltmeter indicates 1.5 kV *(3 kV).
- ③ Adjust RV105 [RV107] so that the pointer of the voltmeter of the Tester is deflected to the center of the 1.5 kV *(3 kV) scale position.
- ④ Reduce the output voltage to zero and change the TEST VOLTAGE switch to the 5 kV *(10 kV) position.
- ⑤ In a similar procedure as in Steps ② and ③, calibrate the 5kV *(10kV) range of the voltmeter with RV106 [RV108]. After the calibration is over, turn the TEST VOLTAGE dial to the counterclockwise extreme position ("0" position) and press the RESET button.

(4) Check of Voltmeter Indications

- ① At each of the 1.5kV/5kV "(3kV/10kV) ranges of AC/DC modes, check the indication of the Tester voltmeter with the standard voltmeter.
- ② Check the indications at the following measuring points:
 - o 1.5kV range: 0.5, 1, 1.5 kV
 - o *(3kV range: 1, 2, 3 kV)

o 5kV range: 1, 2, 3, 4, 5 kV

*(10kV range: 2, 4, 6, 8, 10 kV)

Measuring points may be omitted, added, or changed depending on the purpose of calibration.

(5) Calibration of Cutoff Current (Leak Current Detection Sensitivity)

- ① Set the MULTIPLIER knob on the front panel of the Tester to the CAL'D position.
- ② Measure the voltage of pin 6 of U102 or TP106 with reference to TP100. Adjust the voltage to $2.5 \text{ V} \pm 0.2\%$ with RV104. For the TP (test point) numbers, see Figure 6.3 or 6.4.

(6) Check of Cutoff Current

- ① With the adjustment of Item (5) alone, the cutoff current should satisfy the accuracy of judgement to the specification. If it does not, the Tester is malfunctioning. No further adjustments than that of Item (5) can be made and the Tester needs repair service.
- ② Set the panel switches and knobs in the same manner as mentioned in Item (3), ①.
- ③ Connect a load resistor and a milliammeter which are corresponding to the set cutoff current, as shown in Figure 6.1 or 6.2. Select a resistance from Table 6.1 in conformity with the set current.
- ④ Set the Tester to the TEST ON state and gradually increase its output voltage until the Tester generates the NG signal at approximately 1 kV. Turn slightly the TEST VOLTAGE dial counterclockwise, set the Tester again to the TEST ON state, and increase the output voltage very slowly.
- ⑤ Read the current immediately before the NG signal is generated and the output is cut off.

- ⑥ For each of the cutoff current values to be tested, repeat the procedure of Steps ③ - ⑤.

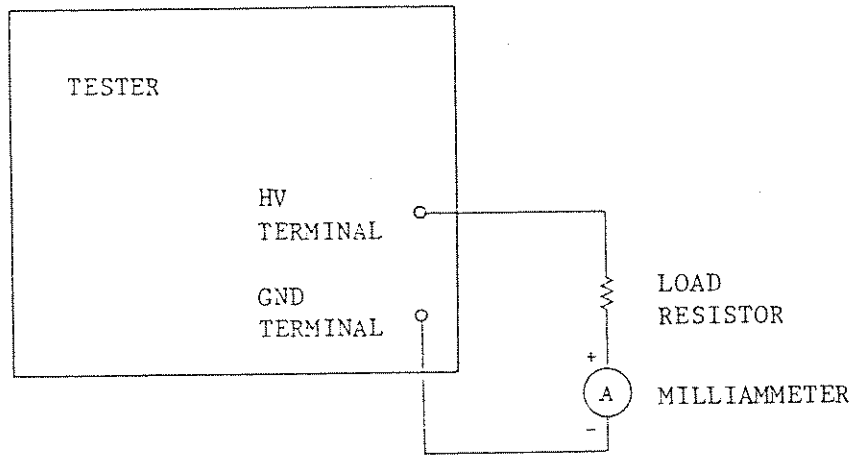


Figure 6.1

* Be sure to connect the milliammeter to the GND terminal side.

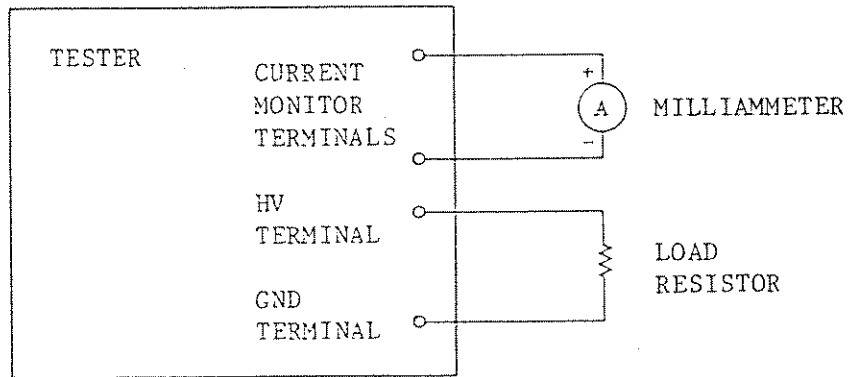
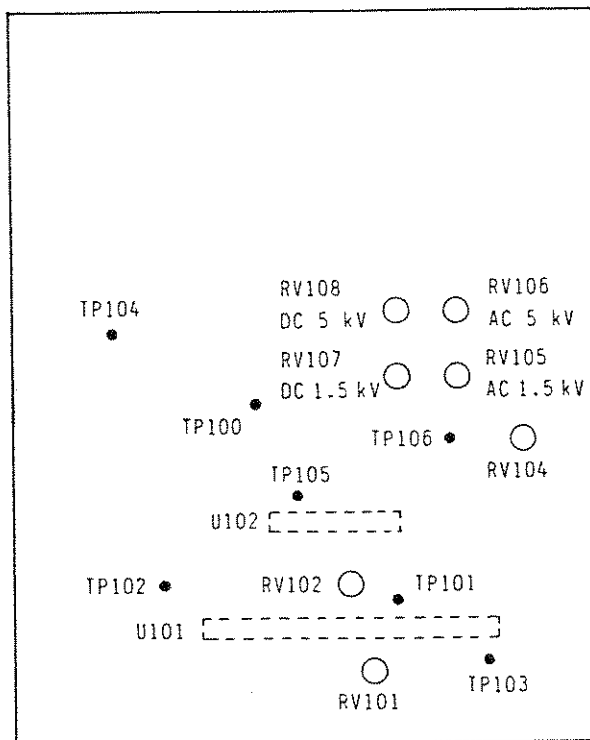


Figure 6.2

Figure 6.3

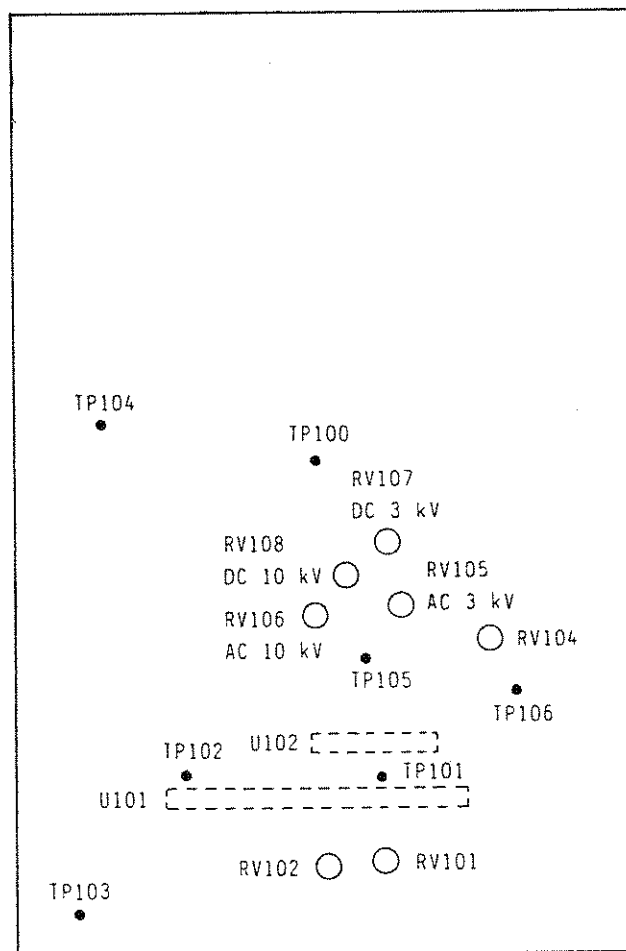
TOS 8750



→
FRONT PANEL

Figure 6.4

TOS 8700



→
FRONT PANEL

7. OPTIONS

The following options are available for this instrument.

Model 913A Remote Control Box

For remote control of test and reset operations.

Specifications

Functions

OPERATE switch:

The TEST button is effective only when this switch is ON. By turning OFF this switch, the output voltage is forcefully reset.

TEST button:

The test voltage is delivered as this button is pressed when the OPERATE switch is ON and the instrument is in the reset state.

RESET button:

This button is used to cut off the test voltage or to reset the NG alarm.

Dimensions: 150 (W) × 70 (H) × 40 (D) mm
(5.9 (W) × 2.8 (H) × 1.6 (D) in.)

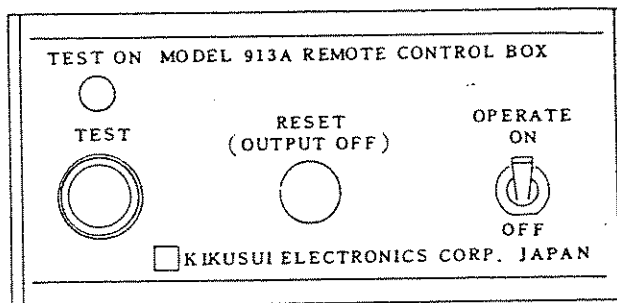


Figure 7.1

Model 914A Remote Control Box

With this control box, the test voltage is delivered only when the two test buttons are pressed simultaneously.

Specifications

Functions:

Has two TEST buttons and the output voltage is delivered only when the two buttons are pressed concurrently.

Other functions are the same as those of Model 913A.

Dimensions: 280 (W) × 70 (H) × 40 (D) mm
(11.0 (W) × 2.6 (H) × 1.6 (D) in.)

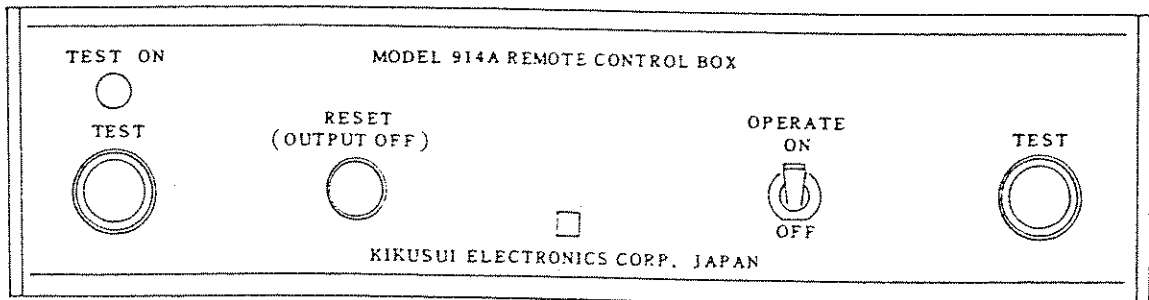
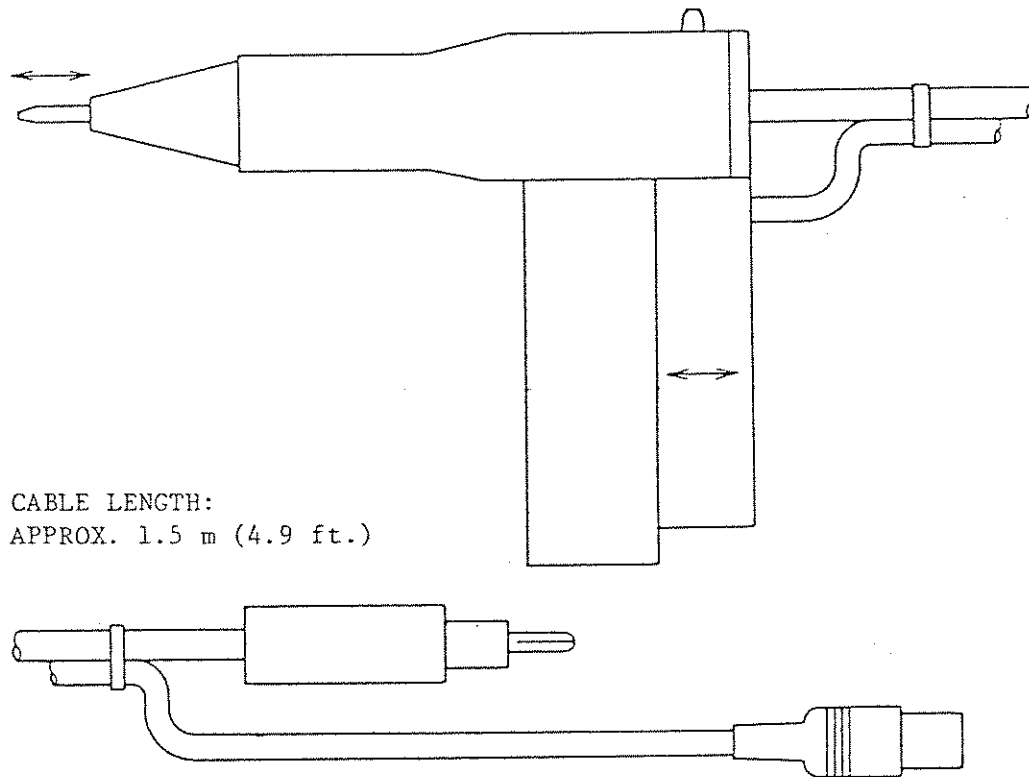


Figure 7.2

HTP-1.5A High Voltage Test Probe

The HTP-1.5A is designed for high operation safety, yet maintaining good operability. The test switch can be pressed only after holding the grip, thereby preventing inadvertent turning on of the test voltage. When the test switch is released, the test voltage is reset forcefully.



CABLE LENGTH:
APPROX. 1.5 m (4.9 ft.)

Figure 7.3

WARNING

- (1) The maximum allowable working voltage of the probe is 5 kV.
Never use it for measurement of voltages high than 5 kV.
- (2) It is recommended to employ the "Double-action Test-on Function" mentioned in Section 4.3 when using this probe.

HTL-3W High Voltage Test Leadwire

The maximum allowable working voltage of the test leadwire is 5 kV. Never use it for measurement of voltages high than 5 kV. The test leadwire is 3 meters (9.8 ft) long.

Model 9202 Alarm Lamp Unit

This unit indicates that the Withstanding Voltage Tester is in the TEST ON state. This unit can be driven by the TEST ON signal (contact signal) of the Tester.

Model 9203 Buzzer Unit

This unit may be used when the sound generated by the buzzer housed in the Withstanding Voltage Tester is not sufficient. This unit can be driven by the NG alarm signal (contact signal) of the Tester.