

# 7168



- <30nV contact potential
- Bare copper terminal connections

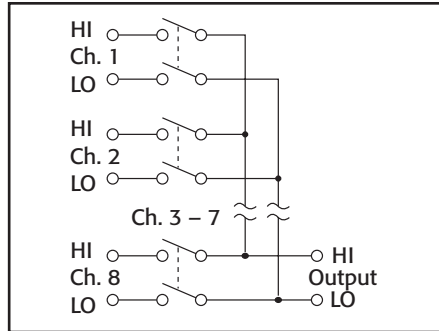
## Ordering Information

**7168** 8-channel Nanovolt Scanner Card

# Nanovolt Scanner Card

## 8-channel, 2-pole

The Model 7168 is an 8-channel, 2-pole card with <30nV of thermal offset. It will switch any one of eight signals to one output in less than 3ms. Channel offset leakage current is <50pA at 23°C. When the 7168 is used with the Model 2182A, the noise and drift performance of the 2182A is not degraded.



**CHANNELS PER CARD:** 8.

**CONFIGURATION:** Two poles per channel, input HI and LO.

**CONNECTOR TYPE:** Screw terminal to bare copper printed circuit pad.

**MAX. SIGNAL LEVEL:** 10V, 50mA peak (resistive load only).

**CONTACT RESISTANCE:** <12Ω.

**CONTACT POTENTIAL (HI to LO) BETWEEN CHANNELS:** <30nV when properly zeroed with supplied leads (see manual for recommended procedure). Typically <60nV without zeroing.

**CONTACT TYPE:** Solid state JFET switch.

**ACTUATION TIME:** <3ms, exclusive of mainframe.

**INPUT LEAKAGE:** <50pA per channel at 23°C.

**INPUT ISOLATION:** >10<sup>9</sup>Ω, <40pF between any input terminals or between any input terminal and earth.

**COMMON MODE VOLTAGE:** 30V peak.

**MAXIMUM VOLTAGE BETWEEN ANY TWO TERMINALS:** 10V.

**WARM-UP:** 2 hours in mainframe for thermal stability.

**OPERATING ENVIRONMENT:** 0°–40°C; up to 35°C at 70% R.H.

**STORAGE ENVIRONMENT:** –25° to 60°C.

## ACCESSORIES SUPPLIED

2107-4	Low Thermal Input Cable for 2182A (1 supplied)
7168-316	Low Thermal Input Cables for 7166 (8 supplied)

## SERVICES AVAILABLE

7168-3Y-EW	1-year factory warranty extended to 3 years from date of shipment
------------	---

Use with 7001 and 7002 switch mainframes

SWITCHING AND CONTROL

1.888.KEITHLEY (U.S. only)

[www.keithley.com](http://www.keithley.com)

**KEITHLEY**

A GREATER MEASURE OF CONFIDENCE

[www.valuetronics.com](http://www.valuetronics.com)