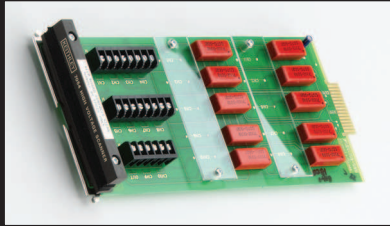


# 7054

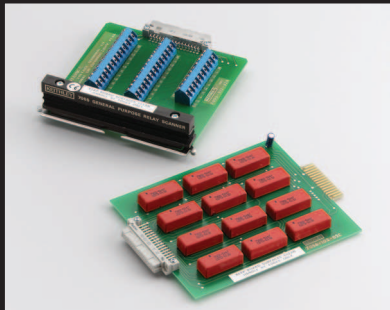


- 1000V switching
- 10-channel scanner
- 1-pole Form A
- Screw terminal connections

## Ordering Information

**7054** 10-Channel High Voltage Scanner with Screw Terminal Connections

# 7056



- 20- or 10-channel scanner configuration
- 1-pole in 20-channel mode, 2-pole in 10-channel mode
- Screw terminal connections on quick disconnect card

## Ordering Information

**7056** General Purpose Scanner

# High Voltage Scanner Card

## 10-Channel, 1-Pole

The Model 7054 is a 10-channel high-voltage scanner card. Voltages up to 1000V peak can be switched. LO is common to all channels and the output. The high-voltage switch can be used to source voltages selectively to any of ten circuits or to monitor voltages from as many sources. Applications include insulation resistance, breakdown, capacitor leakage, dielectric absorption, voltage coefficient, voltage stress tests, and monitoring of line voltages, motor voltages, and more.

**CHANNELS PER CARD:** 10.

**CONTACT CONFIGURATION:** Single-pole Form A, common guard connection.

**CONNECTOR TYPE:** Screw terminal, #18AWG maximum wire size.

**RELAY DRIVE CURRENT:** 50mA per relay typical.

**MAXIMUM SIGNAL LEVEL:** 1000V, 10mA, 10VA (resistive load only).

**CONTACT LIFE:** >10<sup>8</sup> closures cold switching; >10<sup>6</sup> closures at maximum signal levels.

**CONTACT RESISTANCE:** <1Ω.

**ACTUATION TIME:** <20ms, exclusive of mainframe.

**CHANNEL ISOLATION:** >10<sup>12</sup>Ω and <10pF.

**INPUT ISOLATION:** >10<sup>9</sup>Ω and <150pF.

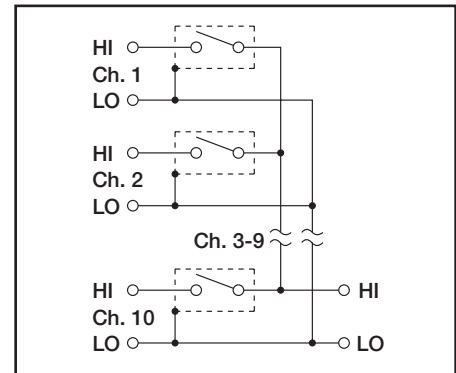
**GUARD TO CHASSIS VOLTAGE:** 200V maximum.

**EMC:** Conforms to European Union Directive 89/336/EEC.

**SAFETY:** Conforms to European Union Directive 73/23/EEC (meets EN61010-1/IEC 1010).

**OPERATING ENVIRONMENT:** 0° to 50°C, up to 35°C at 70% non-condensing RH.

**STORAGE ENVIRONMENT:** -25°C to 65°C.



# General-Purpose Scanner Card

## Quick Disconnect

The Model 7056 is a 10-channel scanner card with electrical connection made through a quick disconnect screw terminal card (Model 7055). It is a cost-effective and versatile solution to relay switching applications. Each channel of the card has two Form A (SPNO) contacts. The switch can be wired for either 2-pole or 1-pole switching through the selection of the appropriate output. In 1-pole operation, channels HI and LO operate as independent, isolated inputs, thereby effectively doubling the number of input channels. In 20 channel mode, use as a one of 20 channel selector switch.

**CHANNELS PER CARD:** 10 in 2-pole mode, 20 in 1-pole mode.

**CONTACT CONFIGURATION:** 2-pole Form A; includes quick disconnect card. HI or LO switched to a separate output for 1-pole mode. Common guard connection.

**CONNECTOR TYPE:** Screw terminal, #18AWG maximum wire size. Terminals mounted on quick disconnect portion of 7056.

**RELAY DRIVE CURRENT:** 24mA per relay typical.

**MAXIMUM SIGNAL LEVEL:** 150V, 250mA, 10VA (resistive load only).

**CONTACT LIFE:** >10<sup>8</sup> closures cold switching; >10<sup>7</sup> closures at maximum signal levels.

**CONTACT RESISTANCE:** <2Ω to rated life.

**CONTACT POTENTIAL:** <100μV per contact pair input to output with copper leads (<50μV typical).

**ACTUATION TIME:** <2ms, exclusive of mainframe.

**CHANNEL ISOLATION:** >10<sup>9</sup>Ω, <20pF typical.

**INPUT ISOLATION, DIFFERENTIAL:** >10<sup>9</sup>Ω, <50pF typical.

**INPUT ISOLATION, COMMON MODE:** >10<sup>9</sup>Ω, <150pF typical.

**COMMON MODE VOLTAGE:** 150V peak.

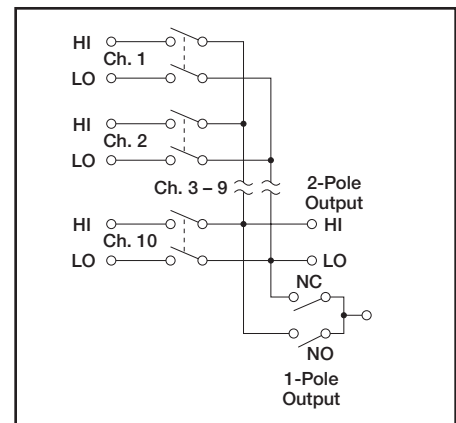
**CHANNEL CROSSTALK:** <50dB @ 1MHz into 50Ω load.

**EMC:** Conforms to European Union Directive 89/336/EEC.

**SAFETY:** Conforms to European Union Directive 73/23/EEC (meets EN61010-1/IEC 1010).

**OPERATING ENVIRONMENT:** 0° to 50°C, up to 35°C at 70% RH.

**STORAGE ENVIRONMENT:** -25°C to 65°C.



1.888.KEITHLEY (U.S. only)

www.keithley.com



A GREATER MEASURE OF CONFIDENCE

www.valuetronics.com