

2500INT

Integrating Sphere



- Choose from silicon, germanium, or cooled indium gallium arsenide detectors
- Spectralon® sphere interior ensures high reflectivity
- Part of Keithley's high throughput system for production testing of laser diodes and LEDs

Ordering Information

2500INT-2-Si

Integrating Sphere
with Silicon Detector

2500INT-2-Ge

Integrating Sphere with
Germanium Detector

2500INT-2-IGAC

Integrating Sphere with
Cooled Indium Gallium
Arsenide Detector

Accessories Supplied

Quick Start Guide, Calibration
Chart for each sphere,
TEC Controller (included with
2500INT-2-IGAC)

In contrast, an integrating sphere is inherently insensitive to beam profiles. The interior of the Model 2500INT integrating sphere has a highly reflective Spectralon surface, which scatters, reflects, and diffuses the source beam produced by the device under test (DUT). This spreads the light from the DUT uniformly over the interior surface of the sphere with minimal absorption loss. A detector can be placed on the interior surface of the sphere, then the sphere/detector combination can be calibrated. The amount of optical radiation striking the detector is the same as any other point on the sphere interior due to the multiple diffuse reflections within the sphere. Therefore, the calibration and resulting measurement accuracy are independent of beam profile.

The Model 2500INT's Spectralon surface offers a variety of other advantages. It is a nearly perfect diffuse reflector, exhibiting Lambertian reflectance properties, so it reflects equally in all directions, regardless of viewing angle. This eliminates the inaccuracies associated with less diffuse materials by distributing the optical radiation more evenly over the interior of the sphere. In addition, a Spectralon surface offers high reflectance for wavelengths from 250–2500nm, which makes it ideal for laser diode measurement applications. It is also chemically inert, which helps ensure stable measurements in harsh environments.

Eases Beam Alignment

If an integrating sphere is not used in laser diode testing, the entire beam from the laser must shine directly onto the detector in order to measure optical power accurately. However, it is difficult to align a laser and detector with the high degree of precision required, particularly when the laser is operating outside of the visible spectrum. With the use of an integrating sphere, beam alignment is trivial because any light that enters the sphere will be spread evenly across its interior surface. Simply stated, it is easier to direct a laser into a 1/2-inch port than it is to direct a laser onto a 5mm detector. The sphere

The Model 2500INT Integrating Sphere is the latest addition to Keithley's growing line of solutions for LIV (light-current-voltage) testing. When connected via a low noise triax cable to the Model 2502 Dual Photodiode Meter included in Keithley's LIV Test System, the integrating sphere allows the system to make direct measurements of optical power, with results expressed in watts. The integrating sphere simplifies production testing of laser diodes (LDs), light emitting diodes (LEDs), and other optical components by eliminating common optical power measurement problems related to detector alignment, beam profile, polarization, and back reflection.

Choice of Three Detector Types

The Model 2500INT is available with a silicon (2500INT-2-Si), germanium (2500INT-2-Ge), or cooled indium gallium arsenide (InGaAs) detector (2500INT-2-IGAC), each calibrated with the sphere. Spheres equipped with cooled indium gallium arsenide detectors include a controller to regulate the detector's temperature.

Unaffected by DUT Beam Profile

Laser diodes can produce non-gaussian beam profiles, which can lead to inaccurate optical power measurements due to underfill or overfill of the detector. While a number of methods are available to correct for underfill and overfill, these methods can add to the overall inaccuracy of the measurement.

APPLICATIONS

Production testing of:

- Laser diode modules
- Chip on submount laser diodes
- Laser diode bars
- LEDs
- Passive optical components

1.888.KEITHLEY (U.S. only)

www.keithley.com

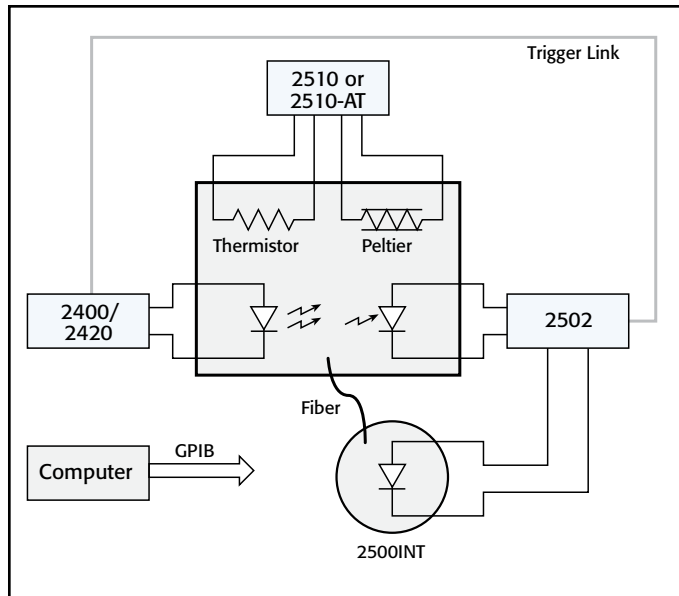
KEITHLEY

A Greater Measure of Confidence

A Tektronix Company

2500INT

Integrating Sphere



The Model 2500INT allows the LIV Test System to measure optical inputs directly and to display power measurements in watts. Other instruments in the LIV Test System include the Model 2502 Dual Photodiode Meter, the Model 2510 TEC SourceMeter® SMU Instrument, and either the Model 2400 or Model 2420 SourceMeter SMU Instrument. Each integrating sphere is characterized at the factory and provided with a calibration constant for every 25 nanometers in the detector's range. Prior to testing, the user simply enters the constant in the Model 2502 Dual Photodiode Meter to ensure accurate measurements of optical power for that wavelength.

is insensitive to input beam alignment up to 40° off normal or divergences up to 40° half-angle.

Minimizes Polarization Concerns

The randomizing effects of multiple reflections within Keithley's integrating sphere minimize beam polarization problems that can affect optical measurement accuracy when measuring polarized sources. Beam polarization is of particular concern for manufacturers of distributed feedback lasers (DFBs) and Vertical Cavity Surface Emitting Lasers (VCSELs).

Eliminates Back Reflection

The stability of a laser diode is significantly affected by back reflections from objects in the optical path. The geometric nature of the integrating sphere and the diffusing properties of the sphere's reflective material help prevent back reflection and ensure greater device stability during testing.

Attenuates High Power Laser Diode Outputs

Detectors have specified maximum power capability, which is typically just a few milliwatts. By spreading the output power evenly over its interior surface, an integrating sphere automatically attenuates the power from the source; therefore, the power level at any point on the sphere surface is far less than that of a beam that falls directly on the detector. The Model 2500INT sphere is particularly useful for testing high-power laser diodes because it provides calibrated attenuation of the laser diode output, which prevents damage to the detector due to the high density of the output or other problems associated with saturation of the detector.

Designed Specifically for Laser Diode Testing

The design of the Model 2500INT Integrating Sphere is optimized for measuring the optical power of laser diodes. Each sphere is two inches in diameter with a 1/2-inch input port suitable for fiber or direct light (as in chip on submount applications). The port and detector are positioned so there is no need to use a baffle to prevent the input from shining directly onto the detector.

	Silicon Detector	Germanium Detector	Cooled InGaAs Detector
Wavelength Range	190–1100 nm	800–1800 nm	900–1670 nm
Peak Wavelength (λ_p)	960 nm	1550 nm	1550 nm
Sensitivity at Peak Wavelength	Excellent at 960 nm	Good at 1550 nm	Excellent at 1550 nm
Sensitivity at Certain Wavelengths			
Visible	***	N/A	N/A
980 nm	***	**	**
1310 nm	N/A	**	***
1550 nm	N/A	**	***
>1550 nm	N/A	**	***
Speed	***	*	**
Calibration Accuracy/Stability	Spectral response changes rapidly with temperature at wavelengths >1000nm.	Spectral response changes rapidly with temperature and λ above λ_p .	Extremely stable (Spectral response is stable because λ calibration is fixed at constant operating temperatures, i.e., -10°C.)
Cost	\$	\$\$	\$\$\$

* = Good ** = Better *** = Best N/A = not applicable

Detector Selection Criteria

When choosing the most appropriate detector for a specific application, consider the following selection criteria:

- Wavelengths of maximum interest
- Sensitivity at wavelength of interest
- Speed
- Cost
- Calibration accuracy/stability

1.888.KEITHLEY (U.S. only)

www.keithley.com

KEITHLEY

A Greater Measure of Confidence

A Tektronix Company

Enables direct optical power measurement in watts with the Model 2502

SEMICONDUCTOR

www.valuetronics.com

2500INT

Integrating Sphere

SPECIFICATIONS

TYPICAL REFLECTANCE DATA FOR SPECTRALON MATERIAL

Wavelength (nm)	Spectralon
500	0.991
600	0.992
700	0.992
800	0.991
900	0.992
1000	0.993
1100	0.992
1200	0.992
1300	0.992
1400	0.991
1500	0.990
1600	0.989
1700	0.986
1800	0.987

PHYSICAL, THERMO-OPTICAL, AND ELECTRONIC PROPERTIES OF SPECTRALON MATERIAL

Property	ASTM Test	Value
Density	N/A	1.25–1.5g/cm ³
Water Permeability	D-570	<0.001% (hydrophobic)
Hardness	D-785	20–30 Shore D
Thermal Stability	N/A	Decomposes at >400°C
Coefficient of Linear Expansion	D-696	5.5–6.5 × 10 ⁻⁵ in/in -°F; 10 ⁻⁴ °C ⁻¹
Vacuum Stability	N/A	No outgassing except for entrained air
Flammability	N/A	Non-flammable (UL rating V-O) Incompatible with non-polar solvents and greases
Yield Stress	D-638	208psi
Ultimate Stress	D-638	891psi
Young's Modulus	N/A	35774psi
Elongation in 2 in.	D-638	42.8%
Elongation at Failure	E-132	91.3%
Poisson's Ratio	D-621	0.296
Deformation under Load	D-621	13.3% @ 250 lbs. 22.6% @ 500 lbs.
Absorbance (ax)	N/A	0.07
Emittance (e)	N/A	0.88
Volume Resistivity	N/A	>10 ¹⁸ Ω/cm
Dielectric Strength	D-149	18V/μm
Refractive Index	D-542	1.35
Flammability Rating	UL-94	V-O

PHOTODIODE SPECIFICATIONS

	Silicon	Germanium	Cooled Indium Gallium Arsenide
Wavelength Range	190–1100nm	800–1800nm	900–1670nm
Peak Sensitivity Wavelength	960nm	1550nm	1550nm
Operating Temperature	-20° to +60°C	-55° to +60°C	-40° to +70°C
Storage Temperature	-55° to +80°C	-55° to +80°C	-55° to +85°C
Active Area	2.4mm × 2.4mm	5.0mm (diameter)	3.0mm (diameter)
Measurement Temperature	—	—	-10°C
Thermistor Allowable Dissipation	—	—	0.2mW
Peltier Element	—	—	1.5A
Allowable Current	—	—	1.0A

ACCESSORIES AVAILABLE

(Appropriate cables and connectors are required to operate the Model 2500INT Integrating Sphere and must be ordered separately. They are not included with the instrument.)

7078-TRX-1	Low-Noise Triax Cable, 0.3m (1 ft)
7078-TRX-3	Low-Noise Triax Cable, 0.9m (3 ft)
7078-TRX-5	Low-Noise Triax Cable, 1.5m (5 ft)
7078-TRX-10	Low-Noise Triax Cable, 3.0m (10 ft)
7078-TRX-12	Low-Noise Triax Cable, 3.5m (12 ft)
7078-TRX-20	Low-Noise Triax Cable, 6.0m (20 ft)
2500INT-FC/APC	FC/APC Connector for 2500INT
2500INT-FC/PC	FC/PC Connector for 2500INT
2500INT-SMA	SMA Connector for 2500INT
6172	2-Slot Male to 3-Lug Female Triax Adapter