

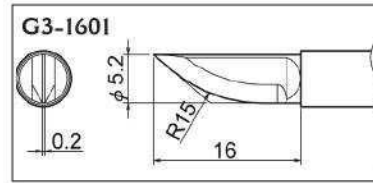
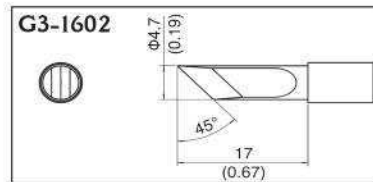
• P/N: FT8003-81



HAKKO FT-8003 HOT KNIFE BLADE

The FT-8003 Hot Knife Blade handpiece is cross compatible with both FT-801/FT-802 stations.

Blades



SPECIFICATIONS

Part No.	FT8003-02
Power Consumption	46 W / 24 V
Length of Cord	1.3 m / 4.3 ft.
Length (w/o cord, blade)	155 mm / 6.1"
Weight (w/o cord, blade)	27 g / 0.06 lb

FT-8003 Hot Knife Blade is now available with FT-802 station. See FT802-53 content details below.

CONTENTS- FT802-53

Part No.	Description
--	FT-802 station
FT8003-02	FT-8003 handpiece
B2419	Power cord
B3253	Connecting cable
G3-1601	Blade
C5034	Holder



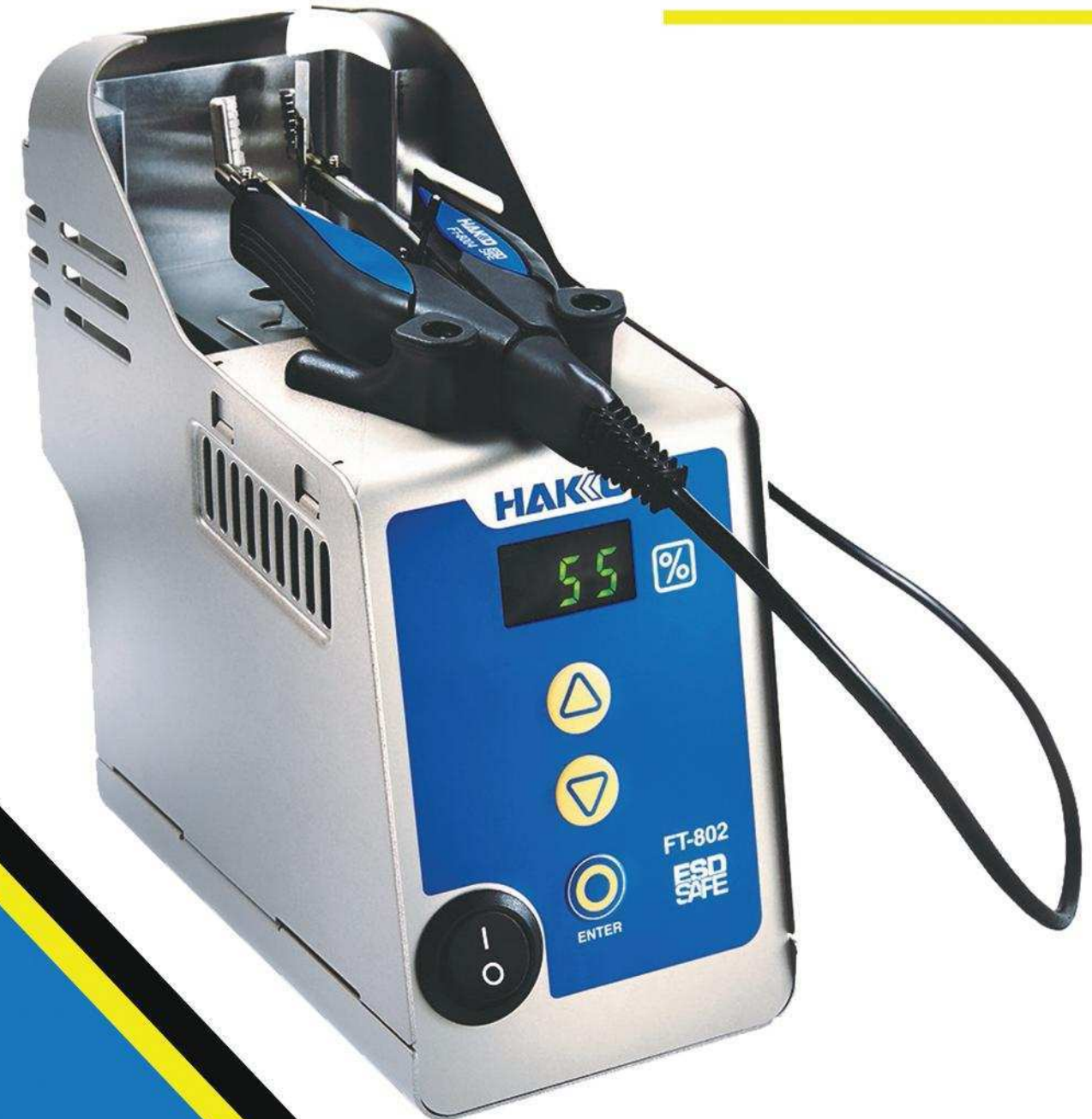
See the Video Online



AMERICAN HAKKO PRODUCTS, INC.
28920 AVENUE WILLIAMS VALENCIA, CA 91355, U.S.A.
TEL: (661) 294-0090 FAX: (661) 294-0096
Toll Free (800)88-HAKKO
4 2 5 5 6
<http://www.hakkousa.com>



HAKKO FT-802 THERMAL WIRE STRIPPER



THERMAL WIRE STRIPPER

*Hakko*USA.com

HAKKO FT-802

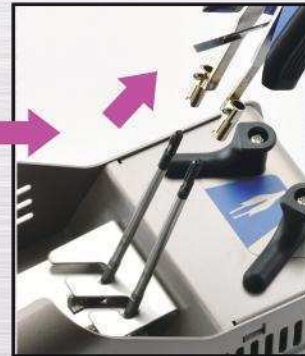
THERMAL WIRE STRIPPER

Introducing the new FT-802 Thermal Wire Stripper from HAKKO, designed for use with a wide variety of insulated wires, including teflon.

- Compact station maximizes bench space
- Digital power control from 5% to 120%
- 3-digit password security
- Extended (1.6 m = 5.25 ft.) flexible cord for a long reach
- Built-in blade removal plate for quick change of blades
- Built-in holder for handpiece
- Auto Shut Off and Auto Sleep Mode



• Blade holder



• Blade removal plate

• Built-in handpiece holder



• Auto Sleep Mode

The handpiece holder has a magnetic sensor that activates Sleep Mode. Sleep Mode is a 50% reduction in power.

HAKKO FT-8004

WIRE STRIPPER HANDPIECE

The FT-8004 is the new fully redesigned wire stripper handpiece accessible for both FT-801/FT-802 stations.

- Superior thermal performance
- Optimized, sharper blades
- FT-8004 handpiece provides better alignment accuracy
- Enhanced heat resistance
- Redesigned ergonomic handpiece
- Handpiece is compatible with FT-801



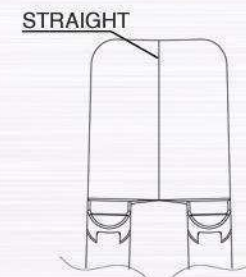
• Provides better alignment accuracy

SPECIFICATIONS

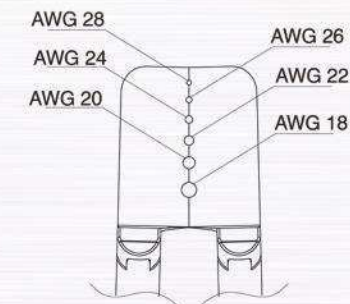
Part No.	FT8004-81
Power Consumption	72 W / 20 V
Length of Cord	1.6 m / 5.2 ft.
Length (w/o cord, blade)	153 mm / 6.0"
Weight (w/o cord, blade)	47g / 0.10 lb

Blades

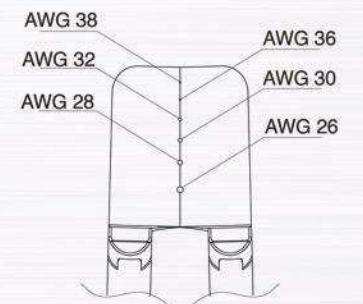
G4-1601



G4-1602



G4-1603



• P/N: FT802-03



CONTENTS

Part No.	Description
--	FT-802 station
FT8004-81	FT-8004 handpiece
B2419	Power cord
--	Instruction manual

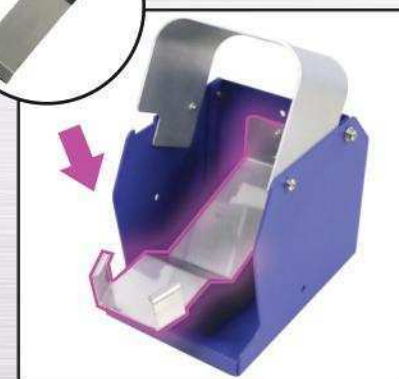
SPECIFICATIONS

Part No.	FT802-03
Power Consumption	76W
Dimensions W x H x D	76 mm x 159 mm x 161 mm 3.0" x 6.3" x 6.3"
Weight (station)	1.6 kg / 3.53 lb
ESD-Safe	Yes
Input Voltage	120 VAC 50/60 Hz

Note: Blades not included with the FT802-03



• B5247 Receptacle



C5012 with B5247 receptacle



FT-801 with FT8004-82 Conversion Kit

FT8004-82 Conversion Kit is required for FT-8004 handpiece to be used with FT-801 station. Conversion Kit includes FT-8004 handpiece and B5247 receptacle which allows handpiece to rest in C5012 holder.

U.S. Patent Pending

