

# HP E5100A/B Network Analyzer Function Reference

## SERIAL NUMBERS

This manual applies directly to instruments with serial number prefix JP2KC, JP3KC, JP4KC and JP5KC, or firmware revision 2.xx and 3.xx.

For additional important information about serial numbers, read "Serial Number" in Appendix A.



HP Part No. E5100-90040  
Printed in Japan December 1997

Forth Editon

---

## Notice

The information contained in this document is subject to change without notice.

This document contains proprietary information that is protected by copyright. All rights are reserved. No part of this document may be photocopied, reproduced, or translated to another language without the prior written consent of the Hewlett-Packard Company.

Hewlett-Packard Japan, LTD.  
Kobe Instrument Division  
1-3-2, Murotani, Nishi-Ku, Kobe-shi,  
Hyogo, 651-22 Japan

© Copyright 1995, 1997 Hewlett-Packard Japan, Ltd.

# DECLARATION OF CONFORMITY

according to ISO/IEC Guide 22 and EN 45014

**Manufacturer's Name:** Hewlett-Packard Japan, Ltd.

**Manufacturer's Address:** 1-3-2, Murotani, Nishi-ku, Kobe-shi, Hyogo, 651-22 Japan

**declares, that the product**

**Product Name:** Network Analyzer

**Model Number(s):** HP E5100A/B

**Product Options:** This declaration covers all options of the above products.

**conforms to the following Product Specifications:**

**Safety:** IEC 1010-1:1990+A1 / EN 61010-1:1993

**EMC:** CISPR 11:1990 / EN 55011:1991 - Group 1 Class A <sup>1)</sup>  
EN 61000-3-3:1995 / IEC 1000-3-3:1994  
EN 50082-1:1992  
IEC 801-2:1991 - 4 kV CD, 8 kV AD  
IEC 801-3:1984 - 3 V/m  
IEC 801-4:1988 - 0.5 kV Signal Lines, 1 kV Power Lines

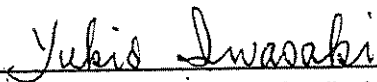
## Supplementary Information:

The products herewith comply with the requirements of the EMC Directive 89/336/EEC, the Low Voltage Directive 73/23/EEC and carry the CE marking accordingly.

LEDs in these products are Class 1 in accordance with IEC 825-1.

1) The products were tested in typical configurations.

Kobe, November 1, 1996

  
Yukio Iwasaki / Quality Manager

European Contact: Your local Hewlett-Packard Sales and Service Office or Hewlett-Packard GmbH, Department HQ-TRE,  
Herrenberger Straße 130, D-71034 Böblingen (FAX:+49-7031-14-3143)



---

## **Herstellerbescheinigung**

### **GERÄUSCHEMISSION**

LpA < 70 dB  
am Arbeitsplatz  
normaler Betrieb  
nach DIN 45635 T. 19

---

## **Manufacturer's Declaration**

### **ACOUSTIC NOISE EMISSION**

LpA < 70 dB  
operator position  
normal operation  
per ISO 7779



---

## Manual Printing History

The manual's printing date and part number indicate its current edition. The printing date changes when a new edition is printed. (Minor corrections and updates that are incorporated at reprint do not cause the date to change.) The manual part number changes when extensive technical changes are incorporated.

|                     |                |
|---------------------|----------------|
| July 1995 .....     | First Edition  |
| October 1995 .....  | Second Edition |
| May 1997 .....      | Third Edition  |
| December 1997 ..... | Forth Edition  |

---

## Safety Summary

The following general safety precautions must be observed during all phases of operation, service, and repair of this instrument. Failure to comply with these precautions or with specific **WARNINGS** elsewhere in this manual may impair the protection provided by the equipment. In addition it violates safety standards of design, manufacture, and intended use of the instrument.

*The Hewlett-Packard Company assumes no liability for the customer's failure to comply with these requirements.*

---

### Note



HP E5100A/B comply with INSTALLATION CATEGORY II and POLLUTION DEGREE 2 in IEC1010-1. HP E5100A/B are INDOOR USE product.

---

### Note



LEDs in HP E5100A/B are Class 1 in accordance with IEC825-1. CLASS 1 LED PRODUCT

---

## Ground The Instrument

To avoid electric shock hazard, the instrument chassis and cabinet must be connected to a safety earth ground by the supplied power cable with earth blade.

## DO NOT Operate In An Explosive Atmosphere

Do not operate the instrument in the presence of flammable gasses or fumes. Operation of any electrical instrument in such an environment constitutes a definite safety hazard.

## Keep Away From Live Circuits

Operating personnel must not remove instrument covers. Component replacement and internal adjustments must be made by qualified maintenance personnel. Do not replace components with the power cable connected. Under certain conditions, dangerous voltages may exist even with the power cable removed. To avoid injuries, always disconnect power and discharge circuits before touching them.

## DO NOT Service Or Adjust Alone

Do not attempt internal service or adjustment unless another person, capable of rendering first aid and resuscitation, is present.

## DO NOT Substitute Parts Or Modify Instrument

Because of the danger of introducing additional hazards, do not install substitute parts or perform unauthorized modifications to the instrument. Return the instrument to a Hewlett-Packard Sales and Service Office for service and repair to ensure that safety features are maintained.




## Dangerous Procedure Warnings

Warnings, such as the example below, precede potentially dangerous procedures throughout this manual. Instructions contained in the warnings must be followed.

---

|                |   |
|----------------|---|
| <b>Warning</b> | <b>Dangerous voltages, capable of causing death, are present in this instrument. Use extreme caution when handling, testing, and adjusting this instrument.</b> |
|----------------|---|

---



## Safety Symbols

General definitions of safety symbols used on equipment or in manuals are listed below.



Instruction manual symbol: the product is marked with this symbol when it is necessary for the user to refer to the instruction manual.



Alternating current.



Direct current.



On (Supply).



Off (Supply).



In position of push-button switch.



Out position of push-button switch.



Frame (or chassis) terminal. A connection to the frame (chassis) of the equipment which normally include all exposed metal structures.

### Warning



This **Warning** sign denotes a hazard. It calls attention to a procedure, practice, condition or the like, which, if not correctly performed or adhered to, could result in injury or death to personnel.

### Caution



This **Caution** sign denotes a hazard. It calls attention to a procedure, practice, condition or the like, which, if not correctly performed or adhered to, could result in damage to or destruction of part or all of the product.

### Note



This **Note** sign denotes important information. It calls attention to a procedure, practice, condition or the like, which is essential to highlight.



Affixed to product containing static sensitive devices use anti-static handling procedures to prevent electrostatic discharge damage to component.

---

## Certification

Hewlett-Packard Company certifies that this product met its published specifications at the time of shipment from the factory. Hewlett-Packard further certifies that its calibration measurements are traceable to the United States National Institute of Standards and Technology, to the extent allowed by the Institution's calibration facility, or to the calibration facilities of other International Standards Organization members.

---

## Warranty

This Hewlett-Packard instrument product is warranted against defects in material and workmanship for a period of one year from the date of shipment, except that in the case of certain components listed in *General Information* of this manual, the warranty shall be for the specified period. During the warranty period, Hewlett-Packard Company will, at its option, either repair or replace products that prove to be defective.

For warranty service or repair, this product must be returned to a service facility designated by HP. Buyer shall prepay shipping charges to HP and HP shall pay shipping charges to return the product to Buyer. However, Buyer shall pay all shipping charges, duties, and taxes for products returned to HP from another country.

HP warrants that its software and firmware designated by HP for use with an instrument will execute its programming instruction when properly installed on that instrument. HP does not warrant that the operation of the instrument, or software, or firmware will be uninterrupted or error free.

---

## Limitation Of Warranty

The foregoing warranty shall not apply to defects resulting from improper or inadequate maintenance by Buyer, Buyer-supplied software or interfacing, unauthorized modification or misuse, operation outside the environmental specifications for the product, or improper site preparation or maintenance.

*No other warranty is expressed or implied. HP specifically disclaims the implied warranties of merchantability and fitness for a particular purpose.*

---

## **Exclusive Remedies**

*The remedies provided herein are buyer's sole and exclusive remedies. HP shall not be liable for any direct, indirect, special, incidental, or consequential damages, whether based on contract, tort, or any other legal theory.*

---

## **Assistance**

Product maintenance agreements and other customer assistance agreements are available for Hewlett-Packard products.

For any assistance, contact your nearest Hewlett-Packard Sales and Service Office. Addresses are provided at the back of this manual.

---

## Typeface Conventions

**Bold** Boldface type is used when a term is defined. For example: **icons** are symbols.

*Italics* Italic type is used for emphasis and for titles of manuals and other publications.

Italic type is also used for keyboard entries when a name or a variable must be typed in place of the words in italics. For example: *copy filename* means to type the word *copy*, to type a space, and then to type the name of a file such as *file1*.

**Computer** Computer font is used for on-screen prompts and messages.

**HARDKEYS**



Labeled keys on the instrument front panel are enclosed in **□**.

**SOFTKEYS**

Softkeys located to the right of the LCD are enclosed in **⌂**.

# Contents

---

|  |     |
|--|-----|
| <b>1. General Information</b>  |     |
| Instruments Covered by This Manual . . . . .   | 1-1 |
| HP E5100A/B Description . . . . .  | 1-1 |
| Additional Features . . . . .  | 1-2 |
| Advanced List Sweep Mode (HP E5100A only) . . . . .  | 1-2 |
| Automatic Sweep Time . . . . .   | 1-2 |
| Automatic Interpolated Error Correction . . . . .  | 1-2 |
| Simultaneous Measurement and Display of Four Traces . . . . .  | 1-2 |
| HP Instrument BASIC . . . . .  | 1-2 |
| I/O port . . . . .   | 1-2 |
| Waveform Analysis Commands . . . . .   | 1-2 |
| Hewlett-Packard Interface Bus (HP-IB) . . . . .  | 1-3 |
| <b>2. Front and Rear Panel</b>   |     |
| Front Panel . . . . .  | 2-1 |
| 1. Front Panel Keys and Softkeys . . . . .   | 2-2 |
| Softkeys that are Joined by Vertical Lines . . . . .   | 2-2 |
| Softkeys That Toggle On or Off . . . . .   | 2-2 |
| Softkeys that Show Status Indications in Brackets . . . . .  | 2-2 |
| 2. Built-in Flexible Disk Drive . . . . .  | 2-2 |
| 3.  . . . . .                       | 2-3 |
| 4.  Inputs R, A, B, and C . . . . . | 2-3 |
| 5. PROBE POWER Connector . . . . .   | 2-3 |
| 6. RF OUT Connectors . . . . .   | 2-3 |
| 7. LINE Switch . . . . .   | 2-3 |
| Screen display . . . . .   | 2-3 |
| 1. Channel Number . . . . .  | 2-4 |
| 2. Trace Number . . . . .  | 2-4 |
| 3. Measured Input(s) . . . . .   | 2-4 |
| 4. Format . . . . .  | 2-4 |
| 5. Top and Bottom Value . . . . .  | 2-4 |
| 6. Reference Level . . . . .   | 2-5 |
| 7. Marker Data Readout . . . . .   | 2-5 |
| 8. Marker Stimulus . . . . .   | 2-5 |
| 9. Trace number . . . . .  | 2-5 |
| 10. Service Notation . . . . .   | 2-5 |
| 11. Stimulus Value . . . . .   | 2-5 |
| 12. Sweep Notations . . . . .  | 2-5 |
| 13. Reference Position . . . . .   | 2-5 |
| 14. Status Notations . . . . .   | 2-5 |
| Rear Panel Features and Connectors . . . . .   | 2-6 |
| 1. Reference Oven Output (Option 1D5 Only) . . . . .   | 2-6 |
| 2. External Program RUN/CONT Input . . . . .   | 2-6 |
| 3. Power . . . . .   | 2-7 |
| 4. External Reference Input . . . . .  | 2-7 |

|   |      |
|---|------|
| 5. Internal Reference Output . . . . .      | 2-7  |
| 6. External Trigger Input . . . . .         | 2-7  |
| 7. HP-IB Interface . . . . .                | 2-7  |
| 8. Printer Interface . . . . .              | 2-7  |
| 9. Video Outputs (VGA) . . . . .            | 2-7  |
| 10. DIN Keyboard Connector . . . . .        | 2-7  |
| 11. I/O Port . . . . .                      | 2-7  |
| <br>  |      |
| <b>3. Entry Block</b>                       |      |
| Numeric Keypad . . . . .                    | 3-1  |
| RPG Knob . . . . .                          | 3-2  |
| ⬆ and ⬇ . . . . .                           | 3-2  |
| Back Space . . . . .                        | 3-2  |
| <br>  |      |
| <b>4. Response Block</b>                    |      |
| Active Channel . . . . .                    | 4-2  |
| Meas/Format . . . . .                       | 4-3  |
| Meas/Format Menu . . . . .                  | 4-5  |
| Function Menu . . . . .                     | 4-5  |
| Port Select Menu . . . . .                  | 4-6  |
| Gain-Phase Format menu . . . . .            | 4-7  |
| Z Format Menu . . . . .                     | 4-7  |
| Display . . . . .                           | 4-9  |
| Display menu (1/3) (2/3) (3/3) . . . . .    | 4-10 |
| Linear Scale Menu . . . . .                 | 4-11 |
| Log Scale Menu . . . . .                    | 4-12 |
| Define Trace Menu . . . . .                 | 4-12 |
| Display Allocation Menu . . . . .           | 4-12 |
| Title Menu . . . . .                        | 4-13 |
| Cal . . . . .                               | 4-14 |
| Gain-Phase CAL Menu . . . . .               | 4-16 |
| THRU CAL menu . . . . .                     | 4-17 |
| Gain-Phase 3-term CAL menu . . . . .        | 4-17 |
| Gain-Phase CAL STD value menu . . . . .     | 4-17 |
| Z:Refl CAL Menu . . . . .                   | 4-18 |
| Z:Refl CAL menu . . . . .                   | 4-18 |
| Z:Refl CAL STD value menu . . . . .         | 4-18 |
| Z:Trans CAL Menu . . . . .                  | 4-19 |
| Z:Trans 3-term CAL menu . . . . .           | 4-19 |
| 1-term CAL menu . . . . .                   | 4-19 |
| Z:Trans CAL STD value menu . . . . .        | 4-20 |
| Calibration . . . . .                       | 4-21 |
| Accuracy Enhancement . . . . .              | 4-21 |
| Correcting for Measurement Errors . . . . . | 4-21 |
| Interpolated Error Correction . . . . .     | 4-22 |
| Omitting Isolation Calibration . . . . .    | 4-22 |
| Saving Calibration Data . . . . .           | 4-22 |
| Marker . . . . .                            | 4-24 |
| Marker Menu . . . . .                       | 4-25 |
| Active Trace . . . . .                      | 4-25 |
| Active Marker Menu . . . . .                | 4-25 |
| Marker Search Menu . . . . .                | 4-25 |
| Search Range Menu . . . . .                 | 4-26 |
| Mkr Utility Menu . . . . .                  | 4-26 |
| ΔMode Menu . . . . .                        | 4-27 |

|  |      |
|--|------|
| Delta Marker Menu . . . . .  | 4-27 |
| Fixed Mkr Position Menu . . . . .                                      | 4-28 |
| Marker Mode Menu . . . . .   | 4-28 |
| <b>5. Stimulus Block</b>   |      |
| <b>Sweep</b> . . . . .   | 5-2  |
| Sweep Menu . . . . .   | 5-3  |
| Sweep Type Menu . . . . .  | 5-4  |
| Sweep Time Menu . . . . .  | 5-5  |
| List Table Editor . . . . .  | 5-5  |
| <b>Trigger</b> . . . . .   | 5-7  |
| Trigger Menu . . . . .   | 5-7  |
| <b>Start</b> <b>Stop</b> <b>Center</b> <b>Span</b>                     | 5-8  |
| → Function Menu . . . . .  | 5-8  |
| <b>6. Menu Block</b>   |      |
| <b>Menu1</b> . . . . .   | 6-2  |
| <b>Menu2</b> . . . . .   | 6-5  |
| <b>Menu3</b> . . . . .   | 6-8  |
| <b>7. System Block</b>   |      |
| <b>System</b> . . . . .  | 7-2  |
| System Menu (1/3) (2/3) (3/3) . . . . .                                | 7-3  |
| Printer Setup Menu . . . . .   | 7-3  |
| HP-IB Menu . . . . .   | 7-4  |
| Clock Menu . . . . .   | 7-4  |
| Set Time Menu . . . . .  | 7-5  |
| Set Date Menu . . . . .  | 7-5  |
| Color Adjustment Menu . . . . .  | 7-6  |
| Att Port Select Menu . . . . .   | 7-6  |
| Att Setting Menu . . . . .   | 7-6  |
| Limit Test Menu . . . . .  | 7-7  |
| HP Instrument BASIC Menu . . . . .                                     | 7-8  |
| Basic Menu . . . . .   | 7-8  |
| ON Key Label Menu . . . . .  | 7-8  |
| Edit System Menu . . . . .   | 7-9  |
| File Utility Menu . . . . .  | 7-9  |
| Command Entry Menu . . . . .   | 7-9  |
| <b>Save/Recall</b> . . . . .   | 7-10 |
| Save/Recall Menu . . . . .   | 7-11 |
| Save Menu . . . . .  | 7-11 |
| File Utility Menu . . . . .  | 7-12 |
| Binary Define Save Data Menu . . . . .                                 | 7-12 |
| ASCII Define Save Data Menu . . . . .                                  | 7-13 |
| Purge Confirmation Menu . . . . .                                      | 7-13 |
| Initialize Confirmation Menu . . . . .                                 | 7-13 |
| Misc Save Menu . . . . .   | 7-13 |
| File Types and Data Saved . . . . .                                    | 7-14 |
| Binary Files and ASCII Files . . . . .                                 | 7-14 |
| Data Groups . . . . .  | 7-14 |
| Instrument States . . . . .  | 7-14 |
| Internal Data Arrays . . . . .   | 7-14 |
| All Data Arrays (Instrument States and Internal Data Arrays) . . . . . | 7-16 |
| Internal Data Arrays (ASCII file) . . . . .                            | 7-16 |
| Additional Information . . . . .                                       | 7-16 |

|   |      |
|---|------|
| RAM disk and FLASH disk . . . . .                                   | 7-16 |
| WRITE Times Limitation of FLASH Disk . . . . .                      | 7-16 |
| Disk Formats . . . . .  | 7-16 |
| File Names . . . . .  | 7-16 |
| To Copy Files Between the RAM Disk and the Flexible Disk . . . . .  | 7-17 |
| Auto Recall Function . . . . .                                      | 7-17 |
| File Structure of Internal Data Array File for ASCII File . . . . . | 7-17 |
| Status Block and Data Block . . . . .                               | 7-17 |
| File Structure for Single Channel and Multi Channel . . . . .       | 7-19 |
| <b>Preset</b> . . . . .   | 7-20 |

**8. Parallel I/O Ports**

|  |      |
|--|------|
| I/O Ports for Standard Parallel I/O Ports and Option 006 Parallel I/O Mode B . . . . .                         | 8-1  |
| I/O Ports . . . . .  | 8-1  |
| Control Signal Lines . . . . .   | 8-2  |
| Port C Status Output Signal or Port D Status Output Signal . . . . .   | 8-2  |
| WRITE STROBE Output Signal for Output Port . . . . .   | 8-2  |
| INPUT1 Input Signal . . . . .  | 8-2  |
| OUTPUT1 Output Signal or OUTPUT2 Output Signal . . . . .   | 8-2  |
| PASS/FAIL Output Signal . . . . .  | 8-2  |
| WRITE STROBE Output Signal for PASS/FAIL Output . . . . .  | 8-2  |
| SWEEP END Output Signal . . . . .  | 8-3  |
| Power Lines . . . . .  | 8-3  |
| Pin Assignment . . . . .   | 8-6  |
| Related HP-IB Commands . . . . .   | 8-9  |
| Data Output Commands . . . . .   | 8-9  |
| Data Input Commands . . . . .  | 8-9  |
| Commands for Setting Input/Output Directions of Ports C and D . . . . .  | 8-9  |
| Positive and Negative Logic Setting Commands . . . . .   | 8-10 |
| OUTPUT1 and OUTPUT2 Level Setting Commands . . . . .   | 8-10 |
| Commands for Setting OUTPUT1 and OUTPUT2 at the High or Low Level<br>Upon Input of a Pulse to INPUT1 . . . . . | 8-10 |
| Command for Checking Input to INPUT1 . . . . .   | 8-10 |
| I/O Port for Option 005 Parallel I/O Mode A . . . . .  | 8-11 |
| Pin Assignment . . . . .   | 8-11 |
| Related HP-IB Commands . . . . .   | 8-13 |
| I/O port for Option 007 Opto-Isolated Parallel I/O . . . . .   | 8-14 |
| I/O Ports . . . . .  | 8-14 |
| Control Signal Lines . . . . .   | 8-14 |
| WRITE STROBE Output Signal for Output Port . . . . .   | 8-14 |
| OUTPUT1 Output Signal or OUTPUT2 Output Signal . . . . .   | 8-14 |
| PASS/FAIL Output Signal . . . . .  | 8-14 |
| WRITE STROBE Output Signal for PASS/FAIL Output . . . . .  | 8-14 |
| SWEEP END Output Signal . . . . .  | 8-15 |
| INTERRUPT Input Signal . . . . .   | 8-15 |
| ALARM Output Signal . . . . .  | 8-15 |
| Power Lines . . . . .  | 8-15 |
| +5 V . . . . .   | 8-15 |
| Instrument GND . . . . .   | 8-15 |
| External Vcc . . . . .   | 8-15 |
| External GND . . . . .   | 8-15 |
| Recommended Operation Condition . . . . .  | 8-15 |
| External Voltage Setting . . . . .   | 8-17 |
| Pin Assignment . . . . .   | 8-17 |
| Related HP-IB Commands . . . . .   | 8-21 |



|   |      |
|---|------|
| Data Output Commands . . . . .  | 8-21 |
| Data Input Commands . . . . .   | 8-21 |
| Positive and Negative Logic Setting Commands . . . . .                        | 8-21 |
| OUTPUT1 and OUTPUT2 Level Setting Commands . . . . .                          | 8-21 |
| <b>9. Accessories and Options</b>   |      |
| Options Available . . . . .   | 9-1  |
| Crystal Resonator Test w/PI-network (Option 600) . . . . .                    | 9-1  |
| 1 Receiver, Port A (Option 100) . . . . .                                     | 9-1  |
| 2 Receivers, Ports R and A (Option 200) . . . . .                             | 9-1  |
| 3 Receivers, Ports R, A, and B (Option 300) . . . . .                         | 9-1  |
| 4 Receivers, Ports R, A, B, and C (Option 400) . . . . .                      | 9-1  |
| One RF OUT Port (Option 001) . . . . .  | 9-1  |
| Two RF OUT Ports, Built-in Power Splitter (Option 002) . . . . .              | 9-1  |
| Two RF OUT Ports, Switched Single Output (Option 003) . . . . .               | 9-2  |
| 50/1M $\Omega$ Selectable Input on Port A (Option 101) . . . . .              | 9-2  |
| Type-N Input Connector on Port A (Option 102) . . . . .                       | 9-2  |
| 50/1M $\Omega$ Selectable Inputs on Ports A and B (Option 301) . . . . .      | 9-2  |
| Type-N Input Connectors on Ports A and B (Option 302) . . . . .               | 9-2  |
| Extended Output Power Range (Option 010) . . . . .                            | 9-2  |
| High Stability Frequency Reference (Option 1D5) . . . . .                     | 9-2  |
| Parallel I/O Mode A (Option 005) . . . . .                                    | 9-2  |
| Parallel I/O Mode B (Option 006) . . . . .                                    | 9-2  |
| Opto-Isolated Parallel I/O (Option 007) . . . . .                             | 9-3  |
| Evaporation Monitoring Function (Option 022) . . . . .                        | 9-3  |
| Phase Tracking Function (Option 023) . . . . .                                | 9-3  |
| Color LCD Display (Option 030) . . . . .                                      | 9-3  |
| Delete HP Instrument BASIC (Option UKR) . . . . .                             | 9-3  |
| Add DIN Keyboard (Option 1F0) . . . . .                                       | 9-3  |
| Handle Kit (Option 1CN) . . . . .   | 9-3  |
| Rack Mount Kit (1CM) . . . . .  | 9-3  |
| Rack Mount and Handle Kit (Option 1CP) . . . . .                              | 9-3  |
| Measurement accessories available . . . . .                                   | 9-4  |
| Active Probes . . . . .   | 9-4  |
| HP 41800A Active Probe (5 Hz to 500 MHz) . . . . .                            | 9-4  |
| HP 41802A 1 M $\Omega$ Input Adapter (5 Hz to 100 MHz) . . . . .              | 9-4  |
| Test Sets . . . . .   | 9-4  |
| HP 87512A Transmission/Reflection Test Set . . . . .                          | 9-4  |
| Power Splitters . . . . .   | 9-4  |
| HP 11850C 50 $\Omega$ Three-way Power Splitters . . . . .                     | 9-4  |
| Calibration Kits . . . . .  | 9-4  |
| Cables . . . . .  | 9-4  |
| HP 11851B 50 $\Omega$ Type-N RF Cable Set . . . . .                           | 9-4  |
| Adapters . . . . .  | 9-5  |
| HP 11852B 50 $\Omega$ to 75 $\Omega$ Minimum Loss Pad (DC to 2 GHz) . . . . . | 9-5  |
| Adapter Kits . . . . .  | 9-5  |
| System Accessories Available . . . . .  | 9-5  |
| System rack . . . . .   | 9-5  |
| Printer . . . . .   | 9-5  |
| Centronics Cable . . . . .  | 9-5  |
| HP-IB Cable . . . . .   | 9-6  |
| External monitor . . . . .  | 9-6  |
| Flexible Disks . . . . .  | 9-6  |

|  |            |
|--|------------|
| <b>10. Instrument Specifications</b>           |            |
| Source . . . . .                               | 10-1       |
| Frequency Characteristics . . . . .            | 10-1       |
| Output Power Characteristics . . . . .         | 10-1       |
| Power Splitter . . . . .                       | 10-2       |
| Spectral Purity Characteristics . . . . .      | 10-2       |
| Other Source Information . . . . .             | 10-3       |
| Receiver . . . . .                             | 10-3       |
| Input Characteristics . . . . .                | 10-3       |
| Magnitude Characteristics . . . . .            | 10-5       |
| Absolute Characteristics . . . . .             | 10-5       |
| Ratio Characteristics . . . . .                | 10-5       |
| Phase Characteristics . . . . .                | 10-7       |
| Delay Characteristics . . . . .                | 10-8       |
| General Characteristics . . . . .              | 10-8       |
| Supplemental Characteristics . . . . .         | 10-9       |
| Measurement Function . . . . .                 | 10-9       |
| Others . . . . .                               | 10-9       |
| Connectors . . . . .                           | 10-9       |
| Furnished Accessories . . . . .                | 10-10      |
| <br>   |            |
| <b>A. Manual Changes</b>                       |            |
| Introduction . . . . .                         | A-1        |
| Manual Changes . . . . .                       | A-1        |
| Serial Number . . . . .                        | A-2        |
| Change 1 . . . . .                             | A-3        |
| <br>   |            |
| <b>B. Default</b>                              |            |
| Preset State . . . . .                         | B-1        |
| Factory Setting . . . . .                      | B-5        |
| <br>   |            |
| <b>Messages</b>                                |            |
| Error Messages in Alphabetical Order . . . . . | Messages-1 |
| <br>   |            |
| <b>Index</b>                                   |            |

# Figures

|  |      |
|--|------|
| 1-1. Typical Serial Number Plate . . . . .   | 1-1  |
| 2-1. Analyzer Front Panel . . . . .  | 2-1  |
| 2-2. Screen Display . . . . .  | 2-4  |
| 2-3. Analyzer Rear Panel . . . . .   | 2-6  |
| 4-1. Softkey Menus Accessed from the <b>Meas/Format</b> Key (1/2) . . . . .                                    | 4-3  |
| 4-2. Softkey Menus Accessed from the <b>Meas/Format</b> Key (2/2) . . . . .                                    | 4-4  |
| 4-3. Z:Transmission Model . . . . .  | 4-6  |
| 4-4. Z:Reflection . . . . .  | 4-6  |
| 4-5. Softkey Menus Accessed from the <b>Display</b> key . . . . .  | 4-9  |
| 4-6. Softkey Menus Accessed from the <b>Cal</b> Key (1/2) . . . . .  | 4-14 |
| 4-7. Softkey Menus Accessed from the <b>Cal</b> Key (2/2) . . . . .  | 4-15 |
| 4-8. Equivalent Circuit Model of Standards . . . . .   | 4-17 |
| 4-9. Softkey Menus Accessed from the <b>Marker</b> key . . . . .   | 4-24 |
| 5-1. Softkey Menus Accessed from the <b>Sweep</b> Key . . . . .  | 5-2  |
| 5-2. Softkey Menus Accessed from the <b>Trigger</b> Key . . . . .  | 5-7  |
| 5-3. Softkey Menu Accessed from the <b>Start</b> , <b>Stop</b> , <b>Center</b> , or <b>Span</b> Keys . . . . . | 5-8  |
| 6-1. Softkey Menus Accessed from the <b>Menu1</b> , <b>Menu2</b> , or <b>Menu3</b> Keys . . . . .              | 6-1  |
| 6-2. Filter Parameter for <b>-3 dB BAND WIDTH(MAX)</b> and <b>X dB BAND WIDTH(MAX)</b> . . . . .               | 6-3  |
| 6-3. Filter Parameter for <b>-3 dB, X BAND WIDTH(MAX)</b> . . . . .  | 6-3  |
| 6-4. Filter Parameter for <b>-3 dB BAND WIDTH(Fc)</b> . . . . .  | 6-4  |
| 6-5. Resonant Analysis (0° phase) . . . . .  | 6-6  |
| 6-6. Resonant Analysis (Min & Max) . . . . .   | 6-6  |
| 6-7. Four-Element Equivalent Circuit for Crystal Resonator . . . . .   | 6-7  |
| 6-8. Six-Element Equivalent Circuit for Crystal Resonator . . . . .  | 6-7  |
| 7-1. Softkey Menus Accessed from the <b>System</b> Key . . . . .   | 7-2  |
| 7-2. IBASIC Menu . . . . .   | 7-8  |
| 7-3. Softkey Menus Accessed from the <b>Save/Recall</b> Key . . . . .  | 7-10 |
| 7-4. Data Processing Flow . . . . .  | 7-15 |
| 8-1. Write strobe signal timing chart . . . . .  | 8-2  |
| 8-2. Schematic Drawing of Parallel I/O Ports . . . . .   | 8-3  |
| 8-3. Circuit of Output Port . . . . .  | 8-4  |
| 8-4. Circuit of Bi-directional Port . . . . .  | 8-4  |
| 8-5. Circuit of Input1 . . . . .   | 8-5  |
| 8-6. Parallel I/O Port Connector Pin Numbers . . . . .   | 8-6  |
| 8-7. 8-bit I/O Port Pin Assignments . . . . .  | 8-11 |
| 8-8. Circuit of output . . . . .   | 8-12 |
| 8-9. Circuit of Input . . . . .  | 8-12 |
| 8-10. Write Strobe Signal Timing Chart . . . . .   | 8-14 |
| 8-11. External GND . . . . .   | 8-15 |
| 8-12. External Vcc . . . . .   | 8-16 |
| 8-13. Parallel I/O Port Connector Pin Numbers . . . . .  | 8-17 |
| 8-14. Circuit of Output . . . . .  | 8-19 |
| 8-15. Circuit of Input Port . . . . .  | 8-19 |
| 8-16. Circuit of Interrupt . . . . .   | 8-20 |
| A-1. Serial Number Plate . . . . .   | A-2  |

## Tables

---

|  |      |
|--|------|
| 4-1. Relationship Between the HP E5100A/B Function Selection and the Z-Conversion<br>Function of a Conventional Network Analyzer . . . . . | 4-6  |
| 4-2. Standard Values for HP 85032B (50 $\Omega$ ) . . . . .  | 4-20 |
| 4-3. Standard Values for HP 85036B (75 $\Omega$ ) . . . . .  | 4-20 |
| 4-4. Standard Values for HP 85031 B (APC7) . . . . .   | 4-20 |
| 7-1. Valid Characters for File Names . . . . .   | 7-17 |
| 7-2. Suffixes and Extensions Added Automatically . . . . .   | 7-17 |
| 7-3. Contents of ASCII Files . . . . .   | 7-18 |
| 8-1. Assignment of Signals to Pins (Standard) . . . . .  | 8-7  |
| 8-2. Assignment of Signals to Pins (Option 006) . . . . .  | 8-8  |
| 8-3. Assignment of Signals to Pins (Standard) . . . . .  | 8-16 |
| 8-4. Assignment of Signals to Pins (Standard) . . . . .  | 8-16 |
| 8-5. Assignment of Signals to Pins (Standard) . . . . .  | 8-18 |
| A-1. Manual Changes by Serial Number . . . . .   | A-1  |
| A-2. Manual Changes by Firmware Version . . . . .  | A-1  |
| B-1. Preset Conditions . . . . .   | B-1  |
| B-2. Preset conditions . . . . .   | B-2  |
| B-3. Preset conditions . . . . .   | B-3  |
| B-4. Preset conditions . . . . .   | B-4  |
| B-5. Preset conditions . . . . .   | B-6  |
| B-6. Preset conditions . . . . .   | B-7  |

## General Information

---

### Instruments Covered by This Manual

The instrument you received with this manual is covered by this manual without change. Any other instrument with one of the serial number prefixes listed on the title page is also described in this manual. (The serial number plate, shown in Figure 1-1, is attached to the rear panel of the analyzer.)

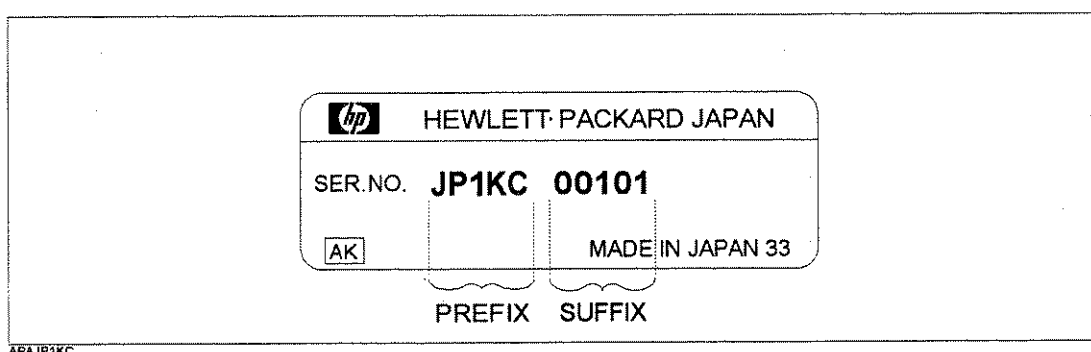


Figure 1-1. Typical Serial Number Plate

Other instruments may differ from the instruments covered directly by this manual. Those differences are documented in Appendix A. See Appendix A if the serial number prefix of your instrument is not listed on the title page.

---

### HP E5100A/B Description

The HP E5100A/B is a 10 kHz to 300 MHz network analyzer. It integrates a high resolution synthesized RF source and a one- to four-input receiver to measure and display magnitude, phase, and group delay responses of active and passive RF networks.

Digital signal processing and microprocessor control combine to provide easy operation and improved measurements. Measurement functions are selected with front panel keys and softkey menus. Displayed measurement results can be printed directly with a compatible peripheral. A built-in flexible disk drive and a FLASH disk can store and recall instrument states and trace data (measurement data).

Trace math, trace smoothing, electrical delay, and accuracy enhancement provide performance improvement and flexibility. Accuracy enhancement methods range from normalizing data to 3-term vector error correction.

## **Additional Features**

In addition to the above capabilities, this analyzer has several other important features:

### **Advanced List Sweep Mode (HP E5100A only)**

The analyzer can measure at specific user-defined frequencies, power levels, IF bandwidths, and number of points (as defined in the List Segment). The list sweep mode can make the display resolution appear even, even if the frequency points are not evenly distributed. It also makes the frequency base display appear even.

### **Automatic Sweep Time**

The analyzer can automatically shorten the sweep time as much as possible for the specified IF bandwidth, number of points, smoothing mode, frequency range, and sweep type.

### **Automatic Interpolated Error Correction**

This allows you to perform any type of calibration, and then display any subset of that frequency range or use a different number of points. If you change the stimulus parameter, the analyzer turns the interpolated error correction ON, and new error coefficients are interpolated from the coefficients of the original calibration. Interpolated error correction provides a great improvement over uncorrected measurements, but the accuracy of the interpolated error corrected points is not specified.

### **Simultaneous Measurement and Display of Four Traces**

The analyzer can simultaneously measure and display a maximum four traces. In addition, the stimulus values (frequency and power) can range independently.

### **HP Instrument BASIC**

This allows analyzer programmability without an external controller. HP Instrument BASIC is a subset of HP BASIC that allows all of the analyzer's measurement capabilities and any other HP-IB compatible instrument to be programmed. When the analyzer is equipped with option UKR, HP Instrument BASIC capability is deleted.

### **I/O port**

This allows the creation of a production line measurement system when used with an automatic handler.

### **Waveform Analysis Commands**

The waveform analysis function provides filter and resonator specific measurement commands. These commands can be used to perform the following functions:

- Analyze filter ripple.
- Obtain filter parameters (for example 3 dB bandwidth)
- Search for a resonator's series-resonant mode frequency and its parallel-resonant mode (antiresonant) frequency and to derive parameters for the equivalent circuit of resonators.

---

## Hewlett-Packard Interface Bus (HP-IB)

The analyzer is factory-equipped with a remote programming interface using the Hewlett-Packard Interface Bus (HP-IB). HP-IB is Hewlett-Packard's hardware, software, documentation, and support for IEEE-488.1, IEEE-488.2, IEC-625, and JIS-C1901 worldwide standards for interfacing instruments. This provides a remote operator with the same control of the instrument available to the local operator, except for control of the power line switch and some internal tests. Remote control is maintained by a controlling computer that sends commands or instructions to and receives data from the analyzer using HP-IB. Several output modes are available for output data. A complete general description of HP-IB is available in *Condensed description of the Hewlett-Packard Interface Bus* (HP part number 59401-90030), and in the *Tutorial Description of the Hewlett-Packard Interface Bus* (HP literature number 5952-0156).

0

0

0

0

0

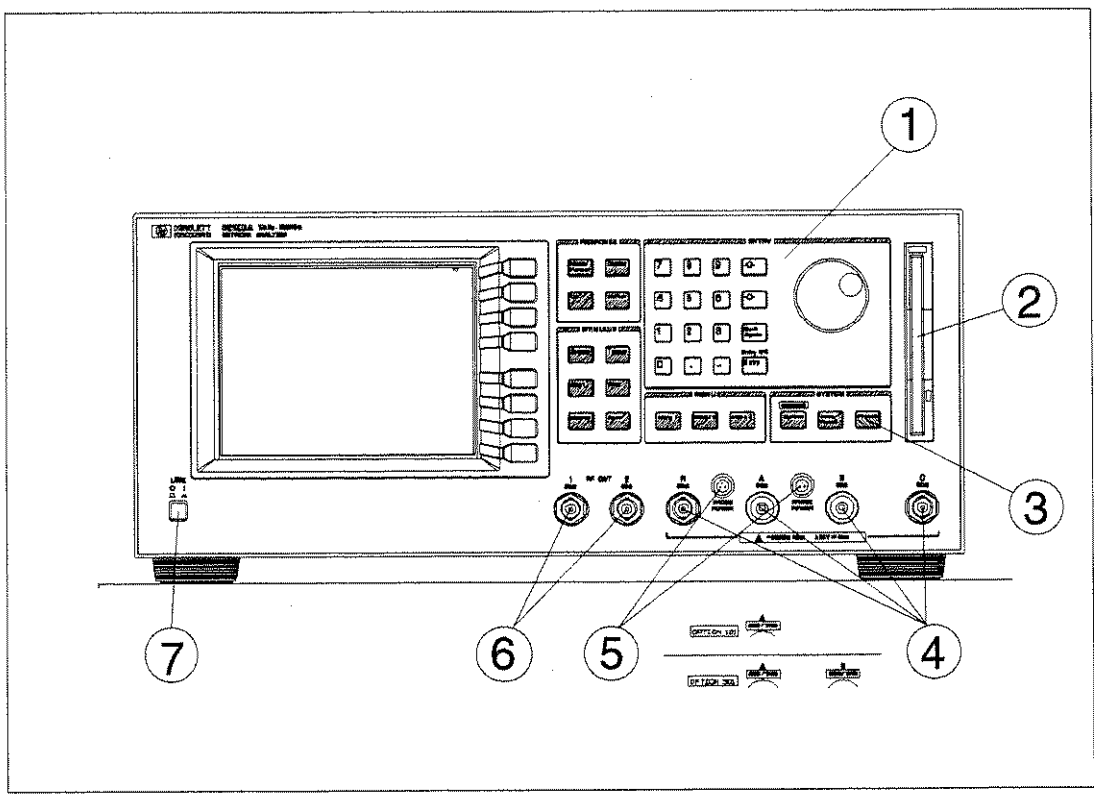


## Front and Rear Panel

This chapter describes the features of the front and rear panels of the analyzer. It provides illustrations and descriptions of the front panel features, the LCD display and its labels, and the rear panel features and connectors.

### Front Panel

Analyzer functions are activated from the front panel (Figure 2-1) by using the front panel hardkeys or softkeys.



C7002001

Figure 2-1. Analyzer Front Panel

## 1. Front Panel Keys and Softkeys

Some of the front panel keys change instrument functions directly, and others provide access to additional functions available in softkey menus. Softkey menus are lists of up to eight related functions that can be displayed in the softkey label area at the right-hand side of the display. The eight keys to the right of the LCD are the softkeys. Pressing one of the softkeys selects the adjacent menu function. This executes the labeled function and makes it the active function, causes instrument status information to be displayed, or presents another softkey menu.

Some of the analyzer's menus are accessed directly from front panel keys and some from other menus. For example, the sweep menu accessed by pressing the **(Sweep)** key presents all the sweep functions such as sweep type, number of points, and sweep time. Pressing **NUMBER of POINTS** allows the required number of points displayed per sweep to be entered directly from the number pad. **RETURN** softkeys return to previous menus. **DONE** indicates completion of a specific procedure and then returns to an earlier menu.

Usually, when a menu changes, the present active function is cleared.

### Softkeys that are Joined by Vertical Lines

When several possible choices are available for a function, the softkeys are joined by vertical lines. For example, in the trigger menu under the **(Trigger)** key, the available inputs are listed as: **HOLD**, **SINGLE**, and **CONTINUOUS** with a vertical line between them. Note that only one softkey can be selected at a time. When a selection has been made from the listed alternatives, that selection is underlined until another selection is made.

### Softkeys That Toggle On or Off

Some softkey functions can be toggled ON or OFF (for example, SMOOTHING). The current state, ON or OFF, is capitalized in the softkey label as shown below:

Example:

|                         |   |
|-------------------------|---|
| <b>SMOOTHING ON off</b> | The word on is capitalized, showing that smoothing is currently ON.   |
| <b>SMOOTHING on OFF</b> | The word off is capitalized, showing that smoothing is currently OFF. |

### Softkeys that Show Status Indications in Brackets

Some softkey labels show the current status of a function in brackets. These include simple toggle functions and status-only indicators. An example of a toggled function is **SWEEP DIR [UP]** or **SWEEP DIR [DOWN]** softkey. The **TRIG EVENT [ ]** softkey is an example of a status-only indicator, where the selected equation of the data math function is shown in brackets in the softkey label.

## 2. Built-in Flexible Disk Drive

Stores the measurement data, instrument status, and HP Instrument BASIC programs. The applicable disk format is DOS (disk operating system) format.

### 3. Preset

This key returns the instrument to a known standard preset state from any step of any manual procedure. A complete listing of the instrument preset conditions is provided in Appendix B.

### 4. Inputs R, A, B, and C

These inputs receive signals from the source or the DUT. The R input is used as the reference input. The number of inputs depends on the option (see Chapter 9). The input impedance of each input is 50  $\Omega$ . When the analyzer is equipped with option 101 or 301, the input impedance can be selected (50  $\Omega$  or 1 M $\Omega$ ).

INSTALLATION CATEGORY I

### 5. PROBE POWER Connector

This connector (fused inside the instrument) supplies power to an active probe for in-circuit measurements of AC circuits. Applicable active probes are described in Chapter 9.

### 6. RF OUT Connectors

These two connectors output the RF signal. The same RF signals are provided from these two connectors because the power splitter is in the analyzer. The output impedance at these connectors is 50  $\Omega$ . When the analyzer is equipped with option 001, the output is from a single connector. When the analyzer is equipped with option 003, a switch is installed instead of the power splitter.

### 7. LINE Switch

This switch controls ac power to the analyzer (1 is ON, 0 is OFF).

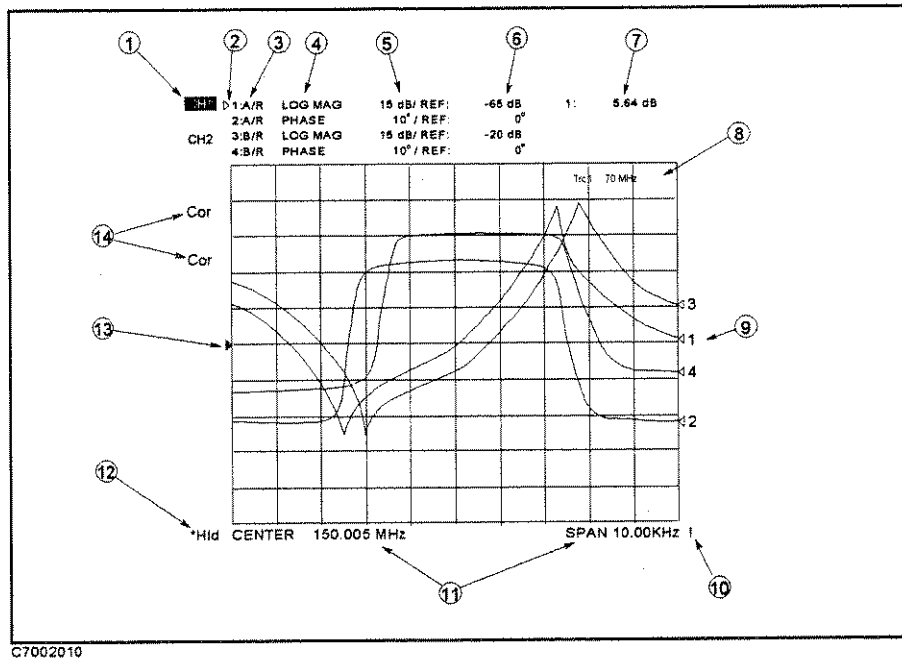
---

## Screen display

Displays a grid on which the measurement data, the currently selected measurement traces, and other information describing the measurement are displayed. Figure 2-2 shows the locations of the different information labels.

In addition to the full-screen display shown in Figure 2-2, a split display is available. In this case, information labels are provided for each half of the display.

The screen can also be used as the HP Instrument BASIC display. HP Instrument BASIC uses either a full-screen display or a half-screen display (below the graticule display) as a text screen.



C7002010

Figure 2-2. Screen Display

### 1. Channel Number

Highlights the displayed channel number. The active channel is indicated by reverse display characters.

### 2. Trace Number

Displays trace numbers. The active trace is indicated by a small triangle to the left of the trace number.

### 3. Measured Input(s)

Shows the input or ratio of inputs currently measured as selected using **Meas** under the **(Meas/Format)** key. The measured inputs is shown when the function is set to gain-phase

### 4. Format

Shows the format selected using **Format** under the **(Meas/Format)** key.

### 5. Top and Bottom Value

Displays the top and bottom values of the grid selected by **SCALE MENU** under the **(Display)** key. When the function is set to impedance measurement and the Y-axis is set to log format, the grid scale is not scale/div format but top and bottom format.

## 6. Reference Level

Displays the value of a reference line in Cartesian formats. It is selected using **SCALE MENU** under the **Display** key. However, the reference line is invisible (it is indicated by a small triangle adjacent to the graticule at the left).

## 7. Marker Data Readout

Displays the values of the marker in units appropriate to the current measurement.

## 8. Marker Stimulus

Displays the stimulus value of the marker.

## 9. Trace number

Indicates the trace number for the measurement trace.

## 10. Service Notation

Indicates the analyzer is in service mode or self test was failed. See *E5100A/B Service Manual*

## 11. Stimulus Value

Displays the start/stop or the center/span values of frequency or power.

## 12. Sweep Notations

Displays one of the following the sweep conditions:

|     |  |
|-----|--|
| Hld | Hold sweep ( <b>HOLD</b> under the <b>Trigger</b> key).  |
| Ext | Wait external trigger ( <b>TRIG EVENT</b> under the <b>Trigger</b> key).                         |
| ↑   | Under sweep  |
| *   | Stimulus parameters changed: measured data in doubt until a complete fresh sweep has been taken. |

## 13. Reference Position

Indicates the reference position.

## 14. Status Notations

Displays the current status of various functions for each channels. The following notations are used:

|     |   |
|-----|---|
| Cor | Error correction is on ( <b>Correction on OFF</b> under the <b>Cal</b> key).  |
| C?  | Stimulus parameters have changed, and interpolated error correction is on (see " <b>Cal</b> " in Chapter 4).            |
| C!  | Stimulus parameters have changed, and interpolated error correction is not available (see " <b>Cal</b> " in Chapter 4). |
| Del | Electrical delay or phase offset has been added or subtracted ( <b>SCALE MENU</b> under the <b>Display</b> key).        |
| Smo | Trace smoothing is on ( <b>SMOOTHING on OFF</b> under the <b>Display</b> key).  |

For example, the upper Cor in Figure 2-2 is for channel 1 and the lower one is for channel 2.



### 3. Power

This is input for the main power cable. Insert the main-power cable plug only into a socket outlet that has a protective ground contact.

### 4. External Reference Input

Connects an external frequency reference signal to the analyzer that is used to phase lock the analyzer for increased frequency accuracy.

When the analyzer is equipped with option 1D5, this connector must be connected to REF OVEN connector.

The external frequency reference function is automatically enabled when a signal is connected to this input. When the signal is removed, the analyzer automatically switches back to its internal frequency reference.

### 5. Internal Reference Output

Connects to the frequency reference input of an external instrument to phase lock it to the analyzer.

### 6. External Trigger Input

Triggers a measurement sweep. The positive edge of a pulse more than 20  $\mu$ s wide in the Low state starts a measurement. The signal is TTL-compatible. To use this connector, set the trigger mode to external using softkey functions.

### 7. HP-IB Interface

Connects the analyzer to an external controller and other instruments in an automated system. This connector is also used when the analyzer itself is the controller of compatible peripherals.

### 8. Printer Interface

Connects the analyzer to an external printer. The interface is centronics compatible.

### 9. Video Outputs (VGA)

Connects the VGA video monitor.

### 10. DIN Keyboard Connector

Connects the keyboard that is usually used with HP Instrument BASIC. DIN keyboard is furnished when the analyzer is equipped with HP Instrument BASIC (option 1D5)

### 11. I/O Port

Connects to external devices such as a handler on a production line.

1

2

3

4

5



## Entry Block

---

The ENTRY block contains the numeric and unit's keypad, the knob, and the step keys. These controls are used in combination with other front panel keys and softkeys to modify the active entry, to enter or change numeric data, and to change the value of the marker. In most cases, the keypad, knob, and step keys can be used interchangeably.

Before a function can be modified, it must be made the active function by pressing a front panel key or softkey. It can then be modified directly with the knob, the step keys, or the digits' keys and a terminator.

### Numeric Keypad

The numeric keypad selects the digits, a decimal point, and the minus sign for numerical entries. When the numeric key pad is pressed, the terminator keys are displayed on the softkey area. These specify units of numerical entries from the keypad and also terminate the entries. A numerical entry is incomplete until a terminator is entered. The units are abbreviated on the terminator keys as follows:

|                  |   |
|------------------|---|
| <b>x M</b>       | Mega ( $10^6$ )   |
| <b>x k</b>       | kilo ( $10^3$ )   |
| <b>x 1</b>       | basic units: dB, dBm, degrees, seconds, Hz, V, A, F, H, $\Omega$ , or S. (can also be used to terminate unitless entries such as averaging factor).   |
| <b>EXP</b>       | Exp ( $10^x$ )  |
| <b>CANCEL</b>    | <p>Cancels the active entry and displays the current setting value.</p> <p>Before terminator keys <b>x M</b>, <b>x k</b>, <b>x 1</b> are pressed, this key allows you to cancel the entry.</p>  |
| <b>ENTRY OFF</b> | <p>Clears and turns off the active entry area and any displayed prompts, error messages, or warnings. Use <b>ENTRY OFF</b> to clear the display before plotting. This key also prevents active values from being changed by accidentally moving the knob.</p> |



---

## RPG Knob

The knob adjusts the current values continuously for functions such as scale, reference level, and others. If a marker is on, and no other function is active, the knob can adjust the marker position. Values changed by the knob are effective immediately and require no terminator.

---

## and

The  and  keys step the current value of the active function up or down. The steps are predetermined and cannot be altered. No unit's terminator is required with these two keys.

---

## 

Deletes the last entry (or the last digit entered from the numeric keypad).

## Response Block

---

The response block keys and associated menus provide control of the function, measurement parameter, input port, display, resolution or IF bandwidth, and calibration. The following list shows the functions controlled by each key in the measurement block.

|             |   |
|-------------|---|
| Meas/Format | <ul style="list-style-type: none"> <li>Selecting function (Gain-Phase, Impedance: reflection, Impedance: transmission)</li> <li>Selecting input port</li> <li>Selecting display format</li> </ul>   |
| Display     | <ul style="list-style-type: none"> <li>Selecting display trace (data and memory)</li> <li>Storing data trace to memory trace</li> <li>Performing trace math</li> <li>Selecting display mode</li> <li>Allocating screen between analyzer and HP Instrument BASIC</li> <li>Displaying titles</li> <li>Scaling trace</li> <li>Controlling group delay and phase offset</li> <li>Storing the trace</li> </ul> |
| Cal         | <ul style="list-style-type: none"> <li>Performing calibration measurement</li> <li>Defining standards for Calibration</li> </ul>  |
| Marker      | <ul style="list-style-type: none"> <li>Controlling the marker, and delta-marker</li> <li>Setting the range for the marker search function</li> <li>Searching for the maximum, minimum, or point specified by the amplitude value</li> <li>Searching bandwidth</li> <li>Calculating statistics values</li> </ul>   |

---

## Active Channel

The **ACTIVE CH**  softkey (under each hard key in the response block) selects the active channel.

The active channel is the channel currently controlled by the front panel keys, and its trace and data annotations are displayed on the display. All channel specific function selections apply to the active channel.

The analyzer has a maximum of four digital channels for independent measurement and display data. The **NUM of CH** softkey under **Meas/Format** sets the number of channels. **ACTIVE CH**  toggles from **CH1** through **CH4**, depending on the number of channels.

Meas/Format

The softkey menus accessed by using the Meas/Format key are shown in Figure 4-1 and Figure 4-2.

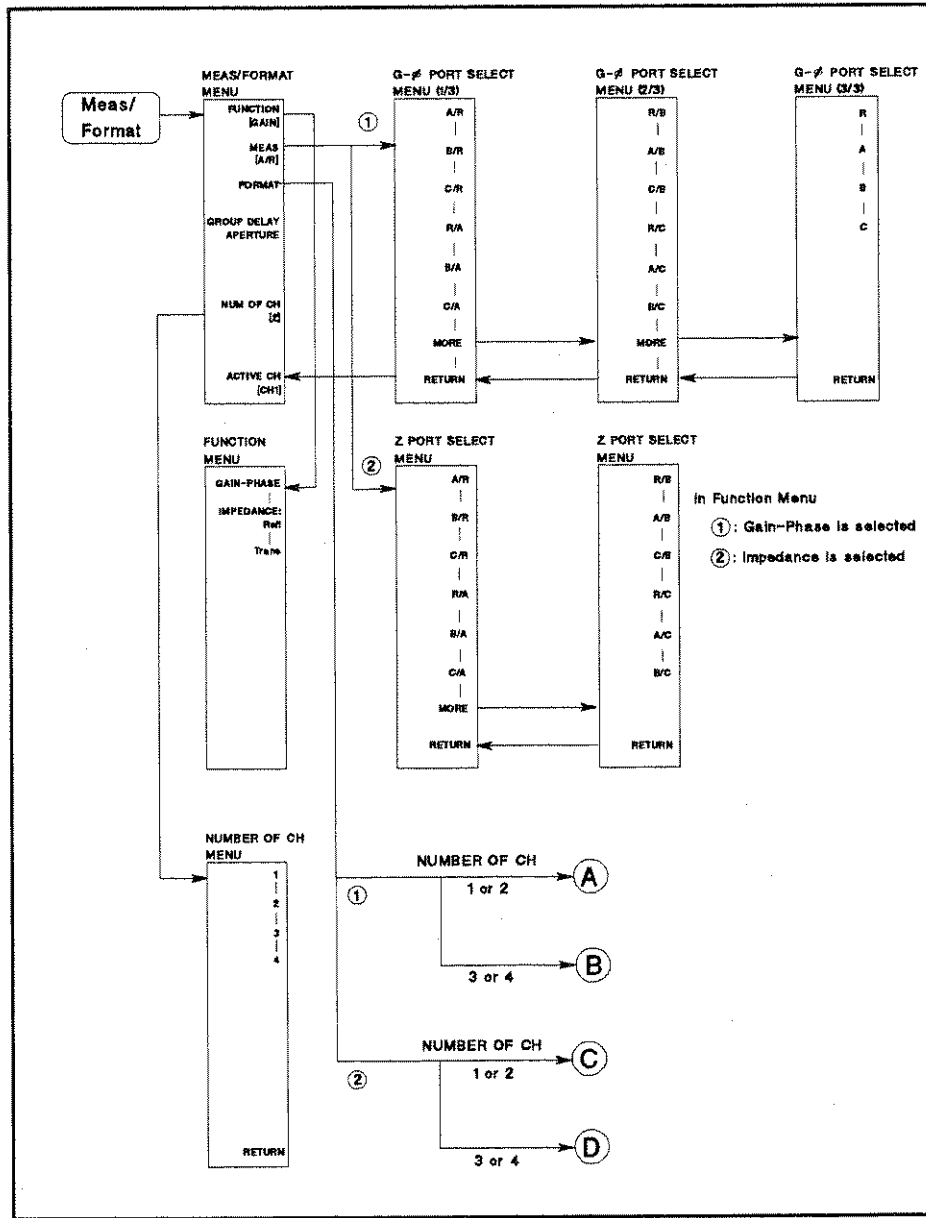


Figure 4-1. Softkey Menus Accessed from the Meas/Format Key (1/2)

4 Response Block

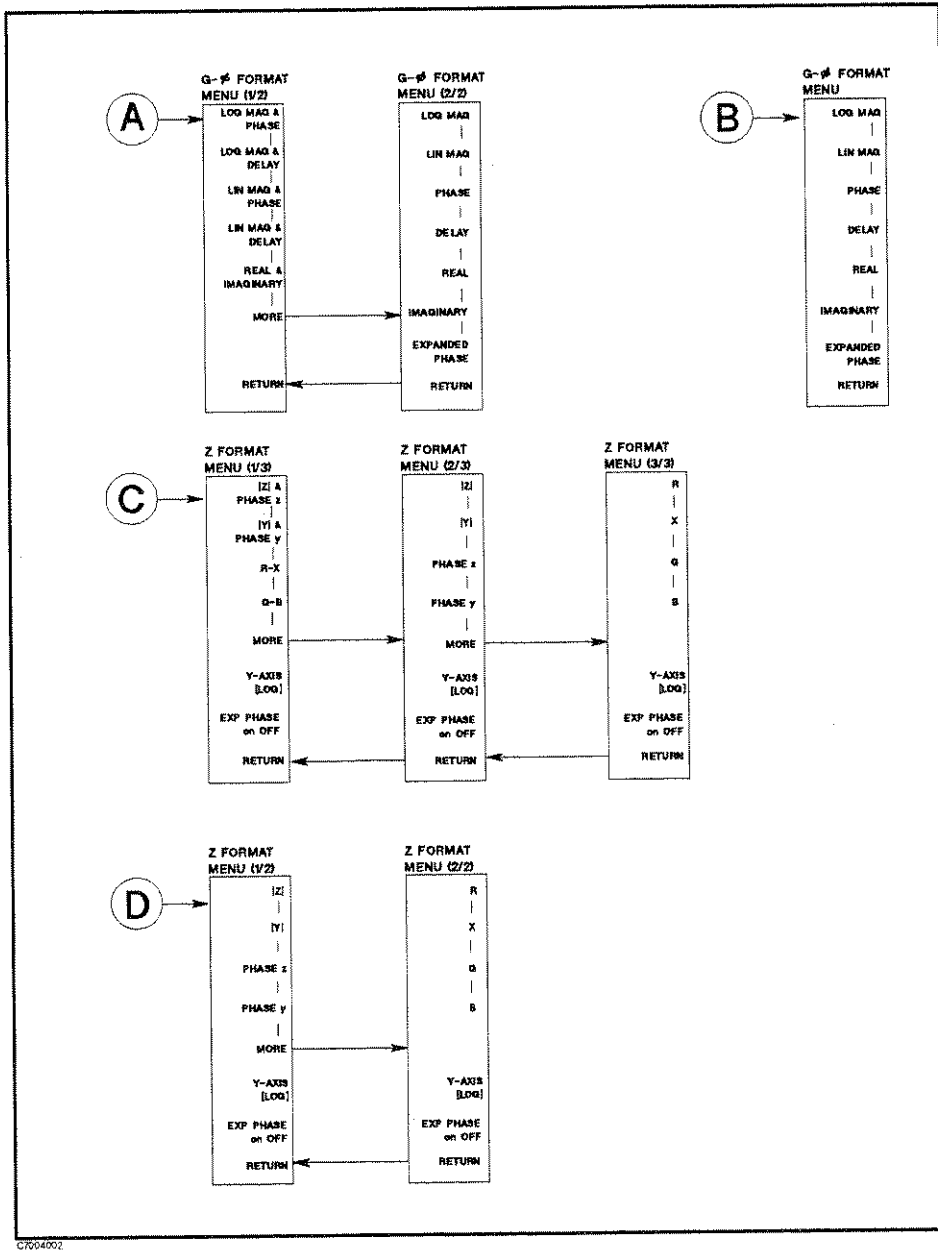


Figure 4-2. Softkey Menus Accessed from the Meas/Format Key (2/2)

## Meas/Format Menu

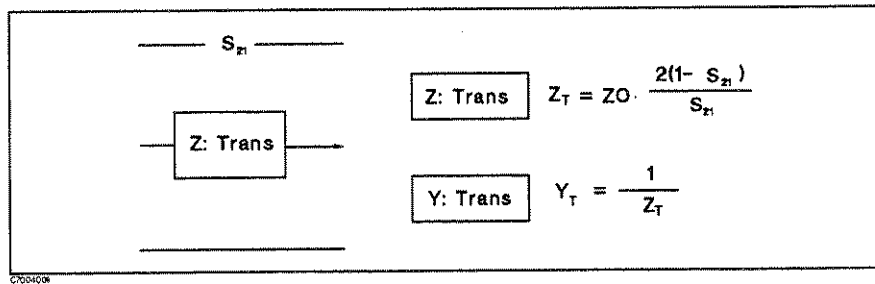
| Key Label                                | Description  |
|--|--|
| <b>FUNCTION</b> <input type="checkbox"/> | Displays the <i>function menu</i> that selects measurement function, Gain-Phase, Impedance: reflection, and Impedance: transmission.   |
| <b>MEAS</b>                              | Displays the <i>port select menu</i> that selects the measurement port.  |
| <b>FORMAT</b>                            | Displays the <i>gain-phase format menu</i> or the <i>Z format menu</i> that is used to select the appropriate display format for the measured data. The formats are changed to correspond to the function setting (gain-phase or impedance). |
| <b>GROUP DELY APERTURE</b>               | Sets the aperture for group delay measurements as a percentage of the span. The frequency aperture ( $\Delta f$ ) at the active marker is displayed under the percentage value when the format is delay.                                     |
| <b>NUM of CH</b>                         | Sets the number of channels. The maximum channel number is 4. The default number is 2.   |

## Function Menu

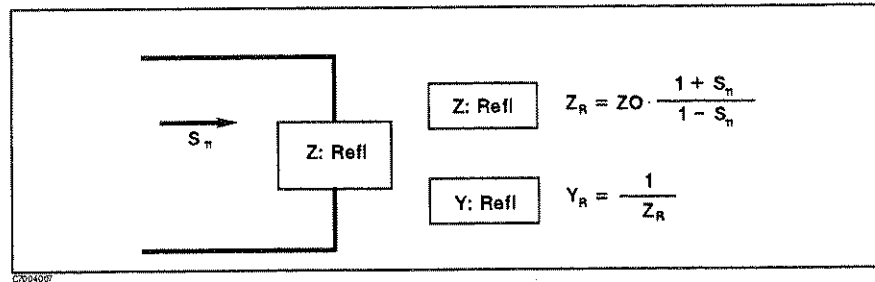
| Key Label              | Description   |
|------------------------|---|
| <b>GAIN-PHASE</b>      | <p>Selects the gain-phase mode as the measurement function. This function is same as the measurement function of a conventional network analyzer.</p> <p>For applications using the impedance conversion function of a conventional network analyzer (such as the HP 87510A), using one of the following two functions is more convenient than using the Gain-Phase function with impedance conversion.</p> <p>(The impedance conversion function for the HP 87510A or other conventional network analyzers is not available using front-panel key operations. However, compatible HP-IB commands are available.)</p> |
| <b>IMPEDANCE: Refl</b> | Selects the impedance mode as the measurement function. The analyzer calculates the reflection data to obtain its equivalent impedance values or admittance values.   |
| <b>Trans</b>           | Selects the impedance mode as the measurement function. The analyzer calculates the transmission data to obtain its equivalent impedance values or admittance values.   |

**Table 4-1.**  
**Relationship Between the HP E5100A/B Function Selection and the Z-Conversion Function of a Conventional Network Analyzer**

| HP E5100A/B     |   | Conventional Network Analyzer |
|-----------------|---|-------------------------------|
| Function        | Format  |                               |
| GAIN-PHASE      | LOG MAG, LIN MAG, PHASE, DELAY, REAL, IMAGINARY | Network Measurement           |
| IMPEDANCE:Refl  | LOG  Z , LIN  Z , Phase Z, R, Z                 | Z Conversion (Z:Refl)         |
|                 | LOG  Y , LIN  Y , Phase Y, G, B                 | Z Conversion (Y:Refl)         |
| IMPEDANCE:Trans | LOG  Z , LIN  Z , Phase Z, R, Z                 | Z Conversion (Z:Trans)        |
|                 | LOG  Y , LIN  Y , Phase Y, G, B                 | Z Conversion (Y:Trans)        |



**Figure 4-3. Z:Transmission Model**



**Figure 4-4. Z:Reflection**

### Port Select Menu

Calculates and displays the complex ratio of the selected input to the reference signal or the absolute power amplitude at the selected input. When the impedance measurement is selected in the *function menu*, only the softkeys related with complex ratio are displayed. The softkey labels are changed depending on which option is related to the inputs.



## Gain-Phase Format menu

When the number of channels is 2 or less, dual traces in a channel are available (for example, LOG MAG & PHASE).

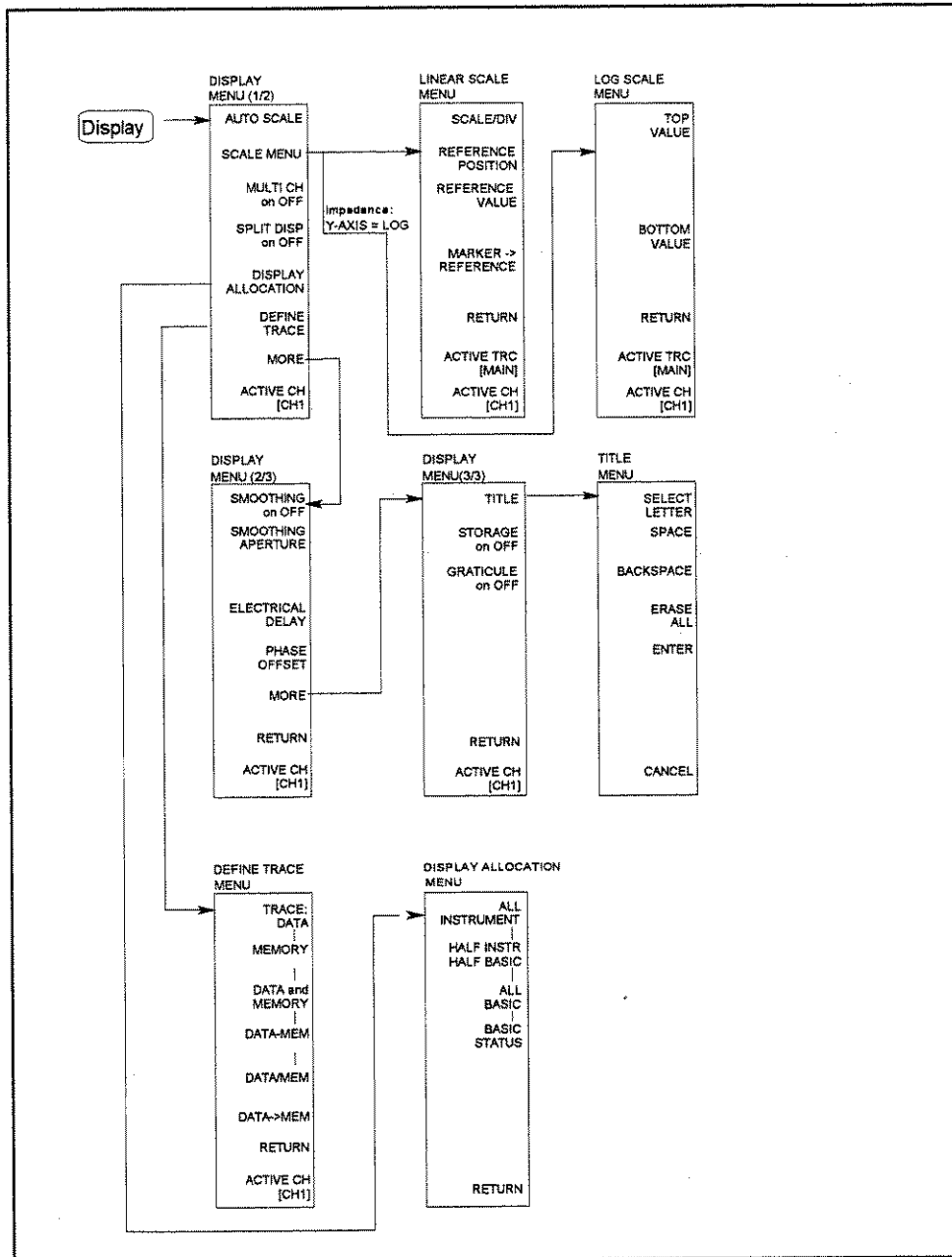
| Key Label        | Description   |
|------------------|---|
| LOG MAG & PHASE  | Displays the log magnitude format as the main trace and the phase format as the sub trace. This softkey is not displayed when the <i>number of channels</i> is set to 3 or 4.   |
| LOG MAG & DELAY  | Displays the log magnitude format as the main trace and the group delay format as the sub trace. It also sets the aperture for the group delay measurements as a percentage of the span. This softkey is not displayed when the <i>number of channels</i> is set to 3 or 4. |
| REAL & IMAGINARY | Displays the real format as the main trace and the imaginary format as the sub trace. This softkey is not displayed when the <i>number of channels</i> is set to 3 or 4.  |
| LOG MAG          | Displays the log magnitude format.  |
| PHASE            | Displays a Cartesian format of the phase portion of the data (measured in degrees).   |
| DELAY            | Selects the group delay format and sets the aperture for the group delay measurements as a percentage of the span.  |
| LIN MAG          | Displays the linear magnitude format. This is a Cartesian format used for unitless measurements.  |
| REAL             | Displays only the real (resistive) portion of the measured data on a Cartesian format. This is similar to the linear magnitude format, but can show both positive and negative values.  |
| IMAGINARY        | Displays only the imaginary (reactive) portion of the measured data on a Cartesian format. This format is similar to the real format except that reactance data is displayed on the trace instead of impedance data.  |
| EXPANDED PHASE   | Displays the phase plot over 360°. When it is turned on, the analyzer avoids the phase plot wrap-around every 360°.   |

## Z Format Menu

When the number of channels is 2 or less, dual traces in a channel are available (for example, |Z| & PHASE z).

| Key Label                       | Description  |
|---------------------------------|--|
| Z  & PHASE z                    | Displays the impedance value as the main trace and the phase format as the sub trace. This softkey is not displayed when the <i>number of channels</i> is set to 3 or 4.     |
| Y  & PHASE y                    | Displays the admittance value as the main trace and the phase format as the sub trace. This softkey is not displayed when the <i>number of channels</i> is set to 3 or 4.    |
| R-X                             | Displays the resistance value as the main trace and the reactance value as the sub trace. This softkey is not displayed when the <i>number of channels</i> is set to 3 or 4. |
| G-B                             | Displays the conductance value as the main trace and the susceptance value as the sub trace.   |
| Z                               | Displays the impedance value.  |
| Y                               | Displays the admittance value.   |
| PHASE z                         | Displays a phase value Cartesian format of the phase portion of the data (measured in degrees).  |
| PHASE y                         | Displays a phase value Cartesian format of the phase portion of the data (measured in degrees).  |
| R                               | Displays the resistance value.   |
| X                               | Displays the reactance value.  |
| G                               | Displays the conductance value.  |
| B                               | Displays the susceptance value.  |
| Y-AXIS <input type="checkbox"/> | Toggles between log format and linear format for y axis.   |
| EXPANDED PHASE on OFF           | Displays the phase plot over 360°. When this is turned on, the analyzer avoids the phase plot wrap-around every 360°.  |

The softkey menus accessed from the **Display** key are shown in Figure 4-5.



C7004010

Figure 4-5. Softkey Menus Accessed from the **Display** key

## Display menu (1/3) (2/3) (3/3)

| Key Label          | Description   |
|--------------------|---|
| AUTOSCALE          | Fits the trace data onto the display with one keystroke. Sweep values are not affected, only scale and reference values. The analyzer determines the smallest possible scale factor that will put all displayed data onto the vertical graticule. |
| SCALE MENU         | Displays the <i>scale menu</i> that is used to scale the trace manually.  |
| MULTI CH on OFF    | Toggles between display of all channels or the active channel only. This is used in conjunction with SPLIT DISP on OFF to display all channels.   |
| SPLIT DISP on OFF  | Toggles between a full-screen single graticule display of one channel, and a split display with multi graticules for all channels.  |
| DISPLAY ALLOCATION | Displays the <i>display allocation menu</i> used to allocate the BASIC screen area on the display. This function is not available when option UKR is installed in the analyzer.   |
| DEFINE TRACE       | Displays the <i>define trace menu</i> used to define the memory trace and perform the trace math.   |
| SMOOTHING on OFF   | Turns the smoothing function ON or OFF for the active channel. When smoothing is ON, the annotation "Smo" is displayed in the status notations area.  |
| SMOOTHING APERTURE | Lets you change the value of the smoothing aperture as a percentage of the span. The allowed range is 0.05 through 100 % of span and the resolution is 0.001%.  |
| ELECTRICAL DELAY   | Adjusts the electrical delay to balance the phase shift of the DUT.   |
| PHASE OFFSET       | Adds or subtracts a phase offset that is constant with frequency (rather than linear). This is independent of ELECTRICAL DELAY.   |
| TITLE              | Displays the title menu in the softkey labels and the character set in the active entry area. They are used to display the title in the active channel title area on the screen.  |
| STORAGE on OFF     | Toggles the storage function. When this function is turned on, the measurement trace is not erased after a sweep.   |
| GRATICULE on OFF   | Toggles the graticule display on the screen. This function does not affect the trace display.   |

| The algorithm used for smoothing  |
|---|
| $S_{m(n)} = \frac{D_{(n-m)} + \dots + D_{(n)} + \dots + D_{(n+m)}}{2m + 1}$ <p>where</p> <p><math>S_{m(n)}</math> = smoothed data</p> <p><math>D_{(n)}</math> = unsmoothed data</p> <p>m : determined by smoothing aperture</p> |

| Example: The velocity factor of Teflon   |
|--|
| <p>The velocity factor of teflon is:</p> $V_f = \frac{1}{\sqrt{\epsilon_R}}$ $= 0.666$ |

## Linear Scale Menu

| Key Label                                  | Description   |
|--|---|
| <b>SCALE/DIV</b>                           | Changes the response value scale per division of the displayed trace. This key is not available when the function is set to impedance mode and Y-AXIS is set to log format.   |
| <b>REFERENCE POSITION</b>                  | Sets the position of the reference line on the graticule of a Cartesian display (with 0 at the bottom line of the graticule and 10 at the top line). The reference position is indicated with a small triangle just outside the graticule, on the CENTER. This key is not available when the function is set to impedance mode and Y-AXIS is set to log format. |
| <b>REFERENCE VALUE</b>                     | Changes the value of the reference line, moving the measurement trace correspondingly. This key is not available when the function is set to impedance mode and Y-AXIS is set to log format.  |
| <b>MARKER -&gt; REFERENCE</b>              | Changes the value of the reference line to the active marker value.   |
| <b>ACTIVE TRC</b> <input type="checkbox"/> | Toggles between main and sub trace. Is scaled by prior functions in this menu when a format that has dual traces in a channel is selected (for example, LOG MAG & PHASE).   |

## Log Scale Menu

| Key Label                           | Description   |
|-------------------------------------|---|
| TOP VALUE                           | Changes the value at the top line of the graticule, scaling the measurement trace correspondingly.  |
| BOTTOM VALUE                        | Changes the value at the bottom line of the graticule, scaling the measurement trace correspondingly.   |
| ACTIVE TRC <input type="checkbox"/> | Toggles between main and sub trace. Is scaled by prior functions in this menu when a format that has dual traces in a channel is selected (for example, LOG MAG & PHASE). |

## Define Trace Menu

| Key Label       | Description   |
|-----------------|---|
| TRACE: DATA     | Displays the current measurement data trace for the active channel.   |
| MEMORY          | Displays the memory trace. If no data is stored in memory for this channel, a warning message is displayed.   |
| DATA and MEMORY | Displays both the current data and the memory traces.   |
| DATA-MEM        | Subtracts the memory from the data.   |
| DATA/MEM        | Divides the data by the memory.   |
| DATA—MEMORY     | Stores the current active measurement data into the memory of the active channel. It then becomes the memory trace (for use in subsequent math manipulations or display). When the number of points (NOP) is changed, the memory trace becomes invalid. |

## Display Allocation Menu

| Key Label             | Description   |
|-----------------------|---|
| ALL INSTRUMENT        | Selects a single full screen or two half-screen graticules.   |
| HALF INSTR HALF BASIC | Selects two half-screens, one graticule is displayed above the HP Instrument BASIC display.         |
| ALL BASIC             | Selects a full screen single HP Instrument BASIC display.   |
| BASIC STATUS          | Selects a full screen graticule and three status lines for HP Instrument BASIC under the graticule. |

## Title Menu

| Key Label     | Description  |
|---------------|--|
| SELECT LETTER | Selects the letter pointed to by the arrow (↑) on the screen. The arrow can be moved by rotating the knob. Three sets of letters can be scrolled using the step keys, (↑) and (↓). |
| SPACE         | Inserts a space in the title.  |
| BACK SPACE    | Deletes the last character entered.  |
| ERASE ALL     | Deletes the entire title.  |
| ENTER         | Terminates the title entry and returns to the display menu   |
| CANCEL        | Cancels the title entry and returns to the display menu without any change.  |

Cal

Cal

The softkey menus accessed from the **Cal** key are shown in Figure 4-6 and Figure 4-7.

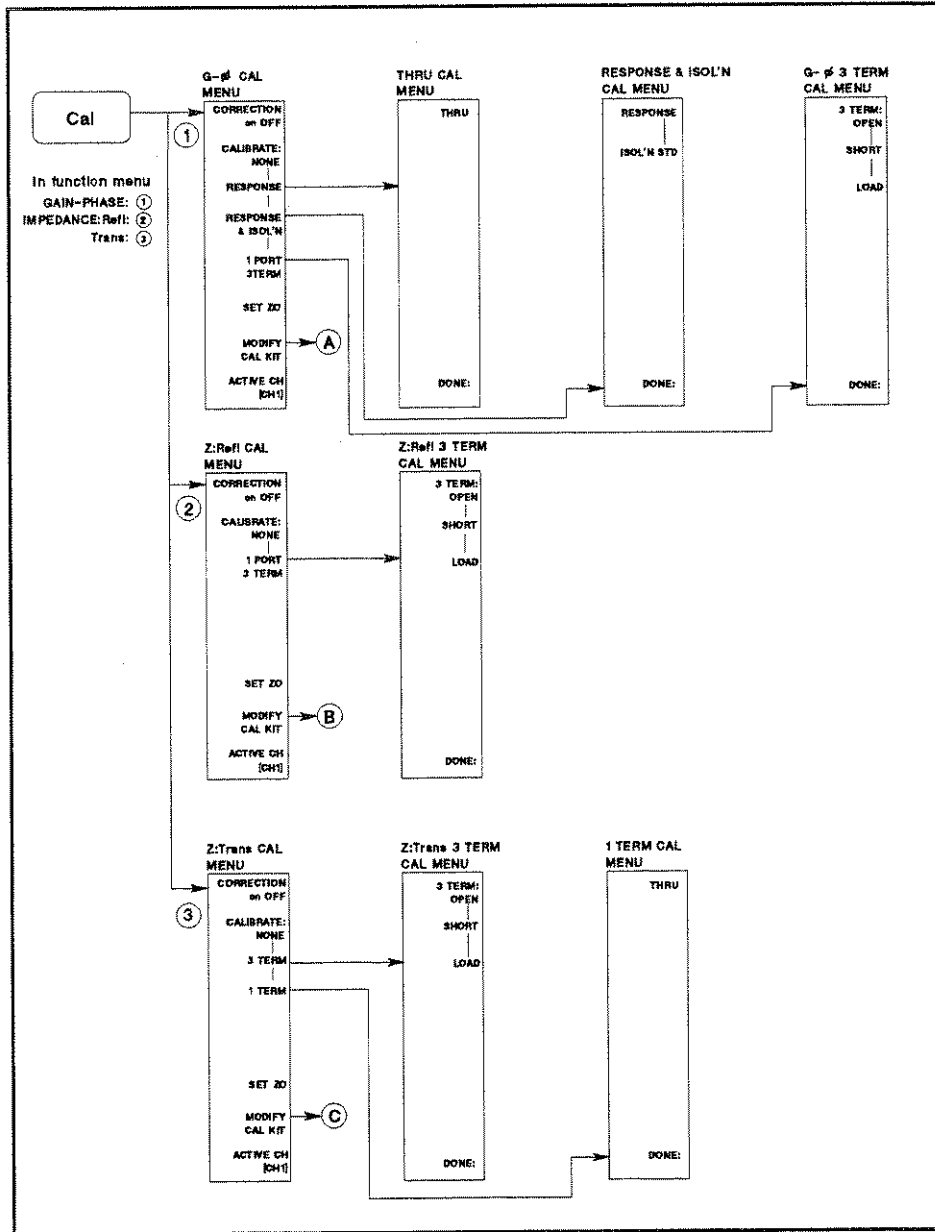


Figure 4-6. Softkey Menus Accessed from the **Cal** Key (1/2)



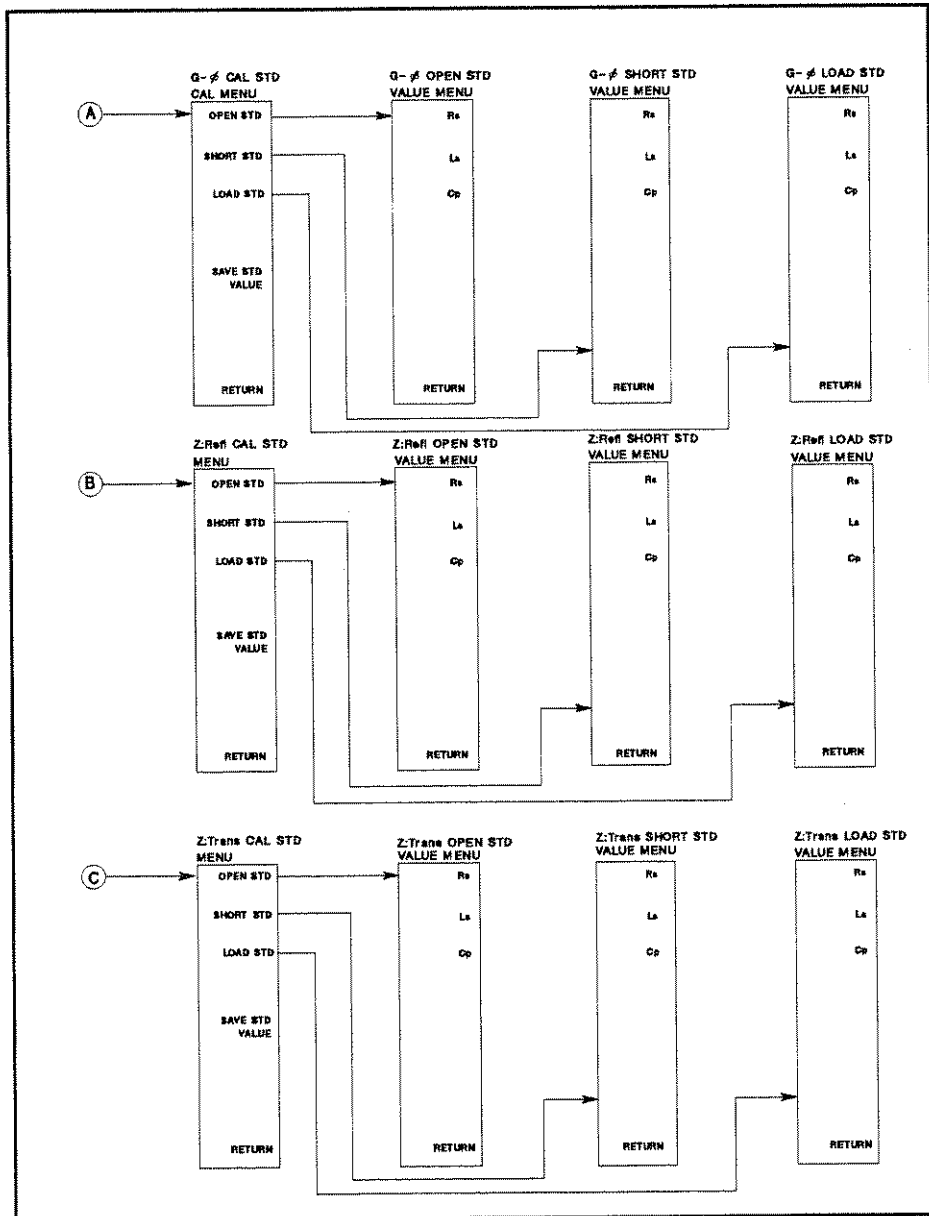


Figure 4-7. Softkey Menus Accessed from the Cal Key (2/2)

## Gain-Phase CAL Menu

| Key Label         | Description   |
|-------------------|---|
| CORRECTION on OFF | Turns error correction ON or OFF. The analyzer uses the most recent calibration data for the displayed parameter. If one of the following sweep parameters is changed, error correction is automatically turned OFF: <ul style="list-style-type: none"> <li>■ Input measurement port is changed.</li> <li>■ Calibration type is changed.</li> </ul>   |
| CALIBRATE: NONE   | This softkey is underlined if no calibration has been performed or if the calibration data has been cleared. Unless the calibration data is saved on the flexible floppy disk or FLASH disk, the calibration data is lost when <b>Preset</b> is pressed, power is cycled on and off, or if an instrument state is recalled.   |
| RESPONSE          | Displays the <i>thru cal menu</i> . This calibration is the simplest and fastest accuracy enhancement procedure. However, it should only be used when very high accuracy is not required. It effectively removes the frequency response errors of the test setup for transmission measurement. A thru calibration standard is required with this procedure.   |
| RESPONSE & ISOL'N | Displays the <i>response &amp; isol'n cal menu</i> used to perform a response and isolation measurement calibration (used to measure devices with wide dynamic range). This procedure effectively reduces the same errors as the response calibration. In addition, it also reduces the isolation (crosstalk) error in a transmission measurement. In addition to the devices required for a response calibration, an isolation standard is required. The standard normally used to correct for isolation is an impedance-matched LOAD (usually 50 or 75 $\Omega$ ) standard. |
| 1-PORT 3-TERM     | Displays the <i>gain-phase 3-term cal menu</i> that is used to perform a 3-term calibration ( $S_{11}$ 1-port measurement calibration). Usually, this correction is used to measure a 1-port measurement with a transmission/reflection test set.   |
| MODIFY CAL KIT    | Displays the <i>gain-phase cal std menu</i> that defines calibration standards of the 3-term calibration.   |

## THRU CAL menu

| Key Label | Description                                      |
|-----------|--|
| THRU      | Measures THRU standard for response calibration. |

## Gain-Phase 3-term CAL menu

| Key Label | Description                                     |
|-----------|---|
| OPEN      | Measures OPEN standard for 3-term calibration.  |
| SHORT     | Measures SHORT standard for 3-term calibration. |
| LOAD      | Measures LOAD standard for 3-term calibration.  |

## Gain-Phase CAL STD value menu

| Key Label      | Description  |
|----------------|--|
| OPEN STD       | Defines the open standards values ( $R_s$ , $L_s$ , $C_p$ ) that are used for the 3-term calibration in gain-phase measurement.  |
| SHORT STD      | Defines the short standards values ( $R_s$ , $L_s$ , $C_p$ ) that are used for the 3-term calibration in gain-phase measurement.   |
| LOAD STD       | Defines the load standards values ( $R_s$ , $L_s$ , $C_p$ ) that are used for the 3-term calibration in gain-phase measurement.  |
| SAVE STD VALUE | Saves the open/short/load standard values to memory. When the analyzer is turned off, the input value is saved. The open/short/load standard values are saved in the file named "CALDATA" in the FLASH disk. |

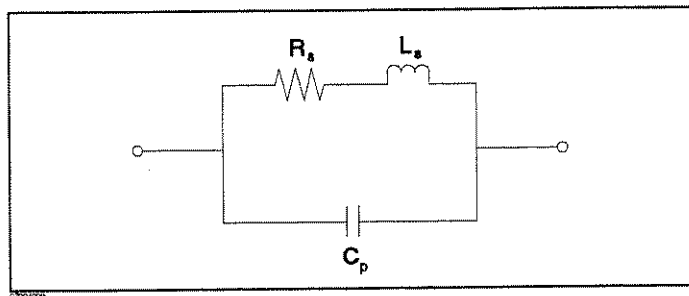


Figure 4-8. Equivalent Circuit Model of Standards

## Z:Refl CAL Menu

| Key Label         | Description   |
|-------------------|---|
| CORRECTION on OFF | Turns error correction ON or OFF. The analyzer uses the most recent calibration data for the displayed parameter. If one of the following sweep parameters is changed, error correction is automatically turned OFF: <ul style="list-style-type: none"> <li>■ Input measurement port is changed.</li> <li>■ Calibration type is changed.</li> </ul> |
| CALIBRATE: NONE   | This softkey is underlined if no calibration has been performed or if the calibration data has been cleared. Unless a calibration is saved on the internal disk, the calibration data is lost when <b>Preset</b> is pressed, power is cycled on and off, or if an instrument state is recalled.   |
| 1-PORT 3-TERM     | Displays the <i>Z:refl 3-term cal menu</i> used to perform a 3-term calibration for reflection impedance measurement.   |
| SET ZO            | Sets the characteristic impedance used by the analyzer in calculating measured impedance. Characteristic impedance must be set correctly before calibration procedures are performed.   |
| MODIFY CAL KIT    | Displays the <i>Z:refl cal std menu</i> that defines calibration standards.   |

## Z:Refl CAL menu

| Key Label | Description              |
|-----------|--------------------------|
| OPEN      | Measures OPEN standard.  |
| SHORT     | Measures SHORT standard. |
| LOAD      | Measures LOAD standard.  |

## Z:Refl CAL STD value menu

| Key Label      | Description  |
|----------------|--|
| OPEN STD       | Defines the open standards values (Rs, Ls, Cp) that are used for the Z:Refl calibration.   |
| SHORT STD      | Defines the short standards values (Rs, Ls, Cp) that are used for the Z:Refl calibration.  |
| LOAD STD       | Defines the load standards values (Rs, Ls, Cp) that are used for the Z:Refl calibration.   |
| SAVE STD VALUE | Saves the open/short/load standard values to memory. When the analyzer is turned off, the input value is saved. The open/short/load standard values are saved in the file named "CALDATA" in the FLASH disk. |

## Z:Trans CAL Menu

| Key Label                | Description   |
|--------------------------|---|
| <b>CORRECTION on OFF</b> | Turns error correction ON or OFF. The analyzer uses the most recent calibration data for the displayed parameter. If one of the following sweep parameters is changed, correction is automatically turned OFF: <ul style="list-style-type: none"> <li>■ Input measurement port is changed.</li> <li>■ Calibration type is changed.</li> </ul> |
| <b>CALIBRATE: NONE</b>   | This softkey is underlined if no calibration has been performed or if the calibration data has been cleared. Unless a calibration is saved on the internal disk, the calibration data is lost when <b>Preset</b> is pressed, power is cycled on and off, or if an instrument state is recalled.   |
| <b>3-term</b>            | Displays the <i>Z:trans 3-term cal menu</i> used to perform a 3-term calibration for transmission impedance measurement. This calibration also applies to error correction for the $\pi$ network measurement.   |
| <b>1-term</b>            | Displays the <i>Z:trans cal menu</i> used to perform a 1-term calibration for a transmission impedance measurement.   |
| <b>SET Z0</b>            | Sets the characteristic impedance used by the analyzer in calculating measured impedance. Characteristic impedance must be set correctly before calibration procedures are performed.   |
| <b>MODIFY CAL KIT</b>    | Displays the <i>Z:trans cal std menu</i> that defines calibration standards.  |

## Z:Trans 3-term CAL menu

| Key Label    | Description              |
|--------------|--------------------------|
| <b>OPEN</b>  | Measures OPEN standard.  |
| <b>SHORT</b> | Measures SHORT standard. |
| <b>LOAD</b>  | Measures LOAD standard.  |

## 1-term CAL menu

| Key Label   | Description                                    |
|-------------|--|
| <b>THRU</b> | Measures THRU standard for 1-term calibration. |

## Z:Trans CAL STD value menu

| Key Label      | Description  |
|----------------|--|
| OPEN STD       | Defines the open standards values (Rs, Ls, Cp) that are used for the Z:Trans calibration.  |
| SHORT STD      | Defines the short standards values (Rs, Ls, Cp) that are used for the Z:Trans calibration.   |
| LOAD STD       | Defines the load standards values (Rs, Ls, Cp) that are used for the Z:Trans calibration.  |
| SAVE STD VALUE | Saves the open/short/load standard values to memory. When the analyzer is turned off, the input value is saved. The open/short/load standard values are saved in the file named "CALDATA" in the FLASH disk. |

Table 4-2. Standard Values for HP 85032B (50  $\Omega$ )

| Type      | L        | C      | R              |
|-----------|----------|--------|----------------|
| OPEN (M)  | 0 H      | 108 fF | 100 G $\Omega$ |
| SHORT (M) | 0 H      | 0 pF   | 0 $\Omega$     |
| OPEN (F)  | 0 H      | 413 fF | 100 G $\Omega$ |
| SHORT (F) | 877.3 pH | 0 pF   | 0 $\Omega$     |
| LOAD      | 0 H      | 0 pF   | 50 $\Omega$    |

Table 4-3. Standard Values for HP 85036B (75  $\Omega$ )

| Type      | L       | C       | R              |
|-----------|---------|---------|----------------|
| OPEN (M)  | 0 H     | 63.5 fF | 100 G $\Omega$ |
| SHORT (M) | 0 H     | 0 pF    | 0 $\Omega$     |
| OPEN (F)  | 0 H     | 275 fF  | 100 G $\Omega$ |
| SHORT (F) | 1316 pH | 0 pF    | 0 $\Omega$     |
| LOAD      | 0 H     | 0 pF    | 75 $\Omega$    |

Table 4-4. Standard Values for HP 85031 B (APC7)

| Type  | L   | C        | R              |
|-------|-----|----------|----------------|
| OPEN  | 0 H | 92.85 pF | 100 G $\Omega$ |
| SHORT | 0 H | 0 pF     | 0 $\Omega$     |
| LOAD  | 0 H | 0 pF     | 50 $\Omega$    |

## Calibration

Measurement calibration is an accuracy enhancement procedure that effectively reduces the system errors that cause uncertainty when making a DUT measurement. Known standard devices are measured, and the results of these measurements are used to characterize the system.

This section explains the theoretical fundamentals of accuracy enhancement and the sources of measurement errors. It describes the different measurement calibration procedures available in the analyzer, which errors they correct, and the measurements for which each should be used.

### Accuracy Enhancement

If it were possible for a perfect measurement system to exist, it would have infinite dynamic range, isolation, and directivity characteristics, no impedance mismatches in any part of the test setup, and flat frequency response. Vector accuracy enhancement, also known as measurement calibration or error correction, provides the means to simulate a perfect measurement system.

In any high frequency measurement, there are measurement errors associated with the system that contribute uncertainty to the results. Parts of the measurement setup such as interconnecting cables and signal separation devices (as well as the analyzer itself) all introduce variations in magnitude and phase that can mask the actual performance of the DUT.

For example, crosstalk due to the channel isolation characteristics of the analyzer can contribute an error equal to the transmission signal of a high-loss test device. The measurement system cannot distinguish the true value of the signal reflected by the device under test from the signal arriving at the receiver input due to leakage in the system. For transmission measurements, impedance mismatches within the test setup cause measurement uncertainties that appear as ripples superimposed on the measured data.

Measurement calibration simulates a perfect analyzer system. It measures the magnitude and phase responses of known standard devices, and compares the measurement with actual device data. It uses the results to characterize the system and effectively remove the system errors from the measurement data of a test device, using vector math capabilities internal to the analyzer.

When measurement calibration is used, the dynamic range and accuracy of the measurement are limited only by system noise and stability, connector repeatability, and the accuracy to which the characteristics of the calibration standards are known.

### Correcting for Measurement Errors

The analyzer has three different measurement calibration routines to characterize one or more of the systematic error terms and remove their effects from the measured data.

The **Response Calibration** effectively reduces the frequency response errors of the test setup for reflection or transmission measurements. This calibration procedure may be adequate for measurement of well-matched low-loss devices.

The **Response and Isolation Calibration** effectively removes frequency response and crosstalk errors in transmission measurements. This procedure may be adequate for measurement of well-matched high-loss devices.

The **1-term calibration** procedures provide the same correction measurements as the response thru calibration of conventional network analyzers. This calibration is used for the impedance transmission measurement.

The **3-term calibration** procedures provide the same correction measurements as the S<sub>11</sub> 1-port calibration of conventional network analyzers. This calibration also applies to error correction for the  $\pi$  network measurement to test crystal resonators in Z:trans measurement.

Calibration should be performed before measurement of a test device. The analyzer uses one of several different procedures to measure the systematic (repeatable) errors of the system and remove their effects from the measured data. Each procedure compensates for one or more of the systematic error terms.

### Interpolated Error Correction

The interpolated error correction feature allows you to change sweep range or sweep type, without re-calibration. Interpolation is activated automatically when one or more stimulus parameters is changed. When interpolation is activated, the following notation is displayed in the notation area.

■ When "C?" is displayed in the notation area:

If one of the following sweep parameters is changed, interpolated correction is automatically turned on and the status notation is changed to "C?" :

- Sweep range is changed to fall inside the calibrated range.
- Sweep type is changed.
- Number of points is changed.
- Power level is changed.
- IFBW is changed.
- Sweep time is changed.

■ When "C!" is displayed in the notation area:

If one of the following sweep parameters is changed, the status notation is changed to "C!". In this status, error corrections at a sweep point are done using the calibration coefficient at the nearest calibrated frequency point or at the CW frequency.

- Sweep range is changed so both the start and stop (or one of the start and stop) sweep values are out of the calibrated range.
- Sweep type is changed from the power sweep. (If the span is zero and the measurement frequency is equal to the CW frequency of the power sweep, the status is not changed.)
- Sweep type is changed to power sweep and CW frequency is out of the calibration range.

When the power sweep is used, the interpolated error correction is not activated, even stimulus parameters are changed. Re-calibration is recommended when the sweep range is changed in the power sweep.

### Omitting Isolation Calibration

Isolation calibration can be omitted for most measurements except where wide dynamic range is a consideration. Use the following guidelines when the measurement requires a dynamic range of:

- $X \text{ [dB]} \leq D \text{ [dB]} + 20 \text{ [dB]}$

Where,

X : Measurement result using the response calibration

D : Dynamic range of DUT

### Saving Calibration Data

The calibration data can be saved on the built-in disk or on the RAM or FLASH disk if required. If a calibration is not saved, it is lost if another calibration procedure is selected for the same



Cal

channel. Instrument preset, power on, and instrument state recall also clears the calibration data.

Marker

Marker

The softkey menus accessed from the **Marker** key are shown in Figure 4-9.

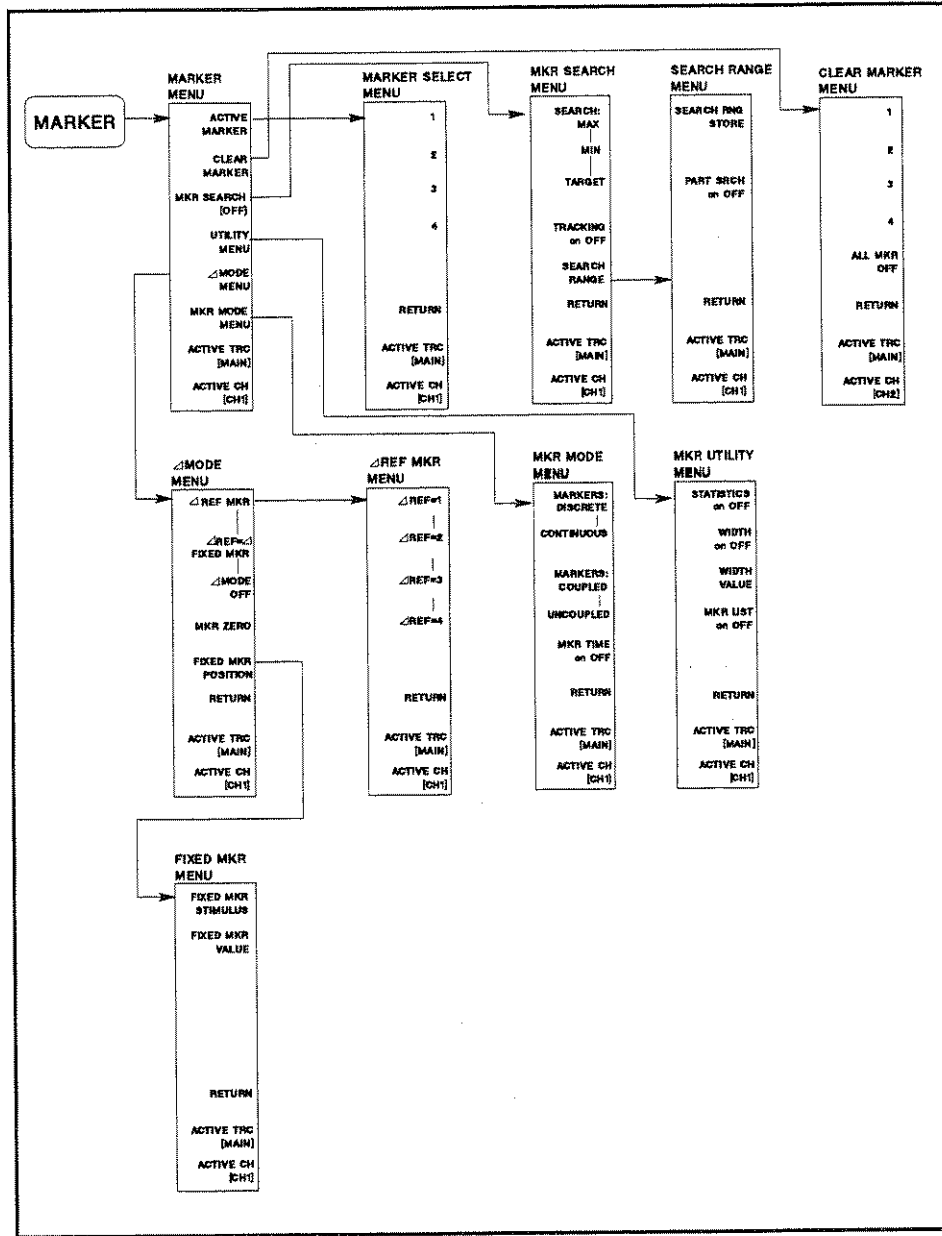


Figure 4-9. Softkey Menus Accessed from the **Marker** key

## Marker Menu

| Key Label                           | Description   |
|-------------------------------------|---|
| ACTIVE MARKER                       | Displays the <i>active marker menu</i> that is used to turn on active markers.                    |
| CLEAR MARKER                        | Turns off a specific active marker.   |
| MKR SEARCH <input type="checkbox"/> | Displays the <i>marker search menu</i> that searches for max, min and target points on the trace. |
| UTILITY MENU                        | Displays the <i>utility menu</i> to calculate the statistic value and search bandwidth.           |
| ΔMODE MENU                          | Displays the <i>Δmode menu</i> to turn on Δ markers.  |
| MKR MODE MENU                       | Displays the <i>marker mode menu</i> to select the marker mode.                                   |

## Active Trace

ACTIVE TRC  key is displayed at the bottom of the softkey. This key toggles between the main trace and the sub trace. This key is available when a format that has dual traces in a channel is selected (for example, LOG MAG & PHASE).

## Active Marker Menu

This menu turns on a selected marker and makes it the active marker. The active marker appears on the display as "▽". The active marker stimulus value is displayed in the active entry area, together with the marker number. If there is a marker turned ON, and no other function is active, the stimulus value of the active marker can be controlled with the knob, the step keys, or the numeric keypad. The marker response and stimulus values are displayed in the upper right-hand corner of the screen.

## Marker Search Menu

| Key Label       | Description   |
|-----------------|---|
| SEARCH:MAX      | Moves the marker to the maximum amplitude point on the trace.   |
| MIN             | Moves the marker to the minimum amplitude point on the trace.   |
| TARGET          | Moves the marker to a specified target point on the trace and displays the target menu that is used to search right and search left to resolve multiple solutions. This softkey appears in the network analyzer mode only.      |
| TRACKING on OFF | Is used in conjunction with other search features to track the search of each new sweep. Turning ON tracking makes the analyzer search every new trace for the specified target value and puts the active marker on that point. |
| SEARCH RANGE    | Displays the <i>search range menu</i> that defines the range for a partial search and activates the partial search.   |

Marker

## Search Range Menu

| Key Label        | Description  |
|------------------|--|
| SEARCH RNG STORE | Stores a search range, which is defined using the active marker and the delta reference marker. If there is no reference marker, the message "NO MARKER DELTA - RANGE NOT SET" is displayed. |
| PART SRCH on OFF | Activates partial search. The search range is displayed by two small triangles, "Δ", at the bottom of the graticule. If no search range is defined, the search range is the entire trace.    |

### To set the search range

1. Press **Marker** to active the marker.
2. Position the marker at the left side of the required search range.
3. Press **ΔMODE MENU MKR ZERO RETURN** to display the Δ marker.
4. Position the marker at the right side of the required search range.
5. Press **MARKER SEARCH**  **SEARCH RANGE**.
6. Toggle the **PART SRCH on OFF** to **PART SRCH ON off**.
7. Verify that two small triangles ("Δ") appear at the bottom of the graticule.

## Mkr Utility Menu

| Key Label         | Description   |
|-------------------|---|
| STATISTICS on OFF | Calculates and displays the mean, standard deviation, and peak-to-peak values of the section of the displayed trace in the search range. If Partial Search is OFF, the statistics are calculated for the entire trace. The statistics are absolute values.  |
| WIDTHS on OFF     | Calculates the center stimulus value, bandwidth, Q, insertion loss, and cutoff point deviation from the center of a band pass or band reject shape on the trace. The amplitude value that defines the pass band or reject band is set using the <b>WIDTH VALUE</b> softkey.   |
| WIDTH VALUE       | Sets the amplitude parameter (for example -3 dB) that defines the Start and Stop points for a bandwidth search. The bandwidth Search feature analyzes a band pass or band reject trace and calculates the center point, bandwidth, and Q (quality factor) for the specified bandwidth. Bandwidth units are in the units of the current format. When Δ mode is on, the bandwidth value specified is the difference from the delta reference. |
| MKR LIST on OFF   | Lists stimulus values and response values of all markers.   |

## ΔMode Menu

| Key Label          | Description   |
|--------------------|---|
| Δ REF MARKER       | Displays the <i>delta marker menu</i> , that establishes a marker as a delta reference.   |
| ΔREF=Δ FIXED MKR   | Sets a user-specified fixed reference marker. The stimulus and response values of the reference can be set arbitrarily, and can be anywhere in the display area. Unlike markers 1 to 4, the fixed marker need not be on the trace. The fixed marker is indicated by a small triangle Δ, and the active marker stimulus and response values are shown relative to this point. Pressing this softkey turns ON the fixed marker. Its stimulus and response values can then be changed using the <i>fixed marker menu</i> , which is accessed with the <b>FIXED MKR POSITION</b> softkey described below. Alternatively, the fixed marker can be set to the current active marker position, using the <b>MKR ZERO</b> softkey in the marker menu. |
| Δ MODE OFF         | Turns OFF the delta marker mode, so that the values displayed for the active marker are absolute values.  |
| MKR ZERO           | Puts a fixed reference marker at the present active marker position, and sets the fixed marker stimulus and response values at that position equal to zero. All subsequent stimulus and response values of the active marker are then read out relative to the fixed marker. The fixed marker is shown on the display as a small triangle "Δ" (delta), smaller than the inactive marker triangles. The softkey label changes from <b>MKR ZERO</b> to <b>MKR ZERO Δ REF = Δ</b> . The marker zero is canceled by turning the delta mode OFF from the delta marker menu or turning all the markers OFF with the <b>ALL MKR OFF</b> softkey.   |
| FIXED MKR POSITION | Displays the <i>fixed marker menu</i> , where the stimulus and response values for a fixed reference marker can be set arbitrarily.   |

### Delta Marker Menu

This menu establishes a marker as a delta reference. The active marker stimulus and response values are shown relative to this delta reference. If marker 1 is selected as the delta reference, **ΔREF=1** is underlined in this menu.

### Fixed Mkr Position Menu

| Key Label       | Description   |
|-----------------|---|
| AMKR STIMULUS   | Changes the sweep parameter value of the fixed $\Delta$ marker. The fixed $\Delta$ marker sweep parameter values can be different for each channel if the channel markers are uncoupled.  |
| FIXEDAMKR VALUE | Changes the amplitude value of the fixed $\Delta$ marker. In a Cartesian format, this is the y-axis value. It applies to a magnitude/phase marker and a real/imaginary marker. Fixed $\Delta$ marker amplitude values are always uncoupled in traces. |

### Marker Mode Menu

| Key Label         | Description  |
|-------------------|--|
| MARKERS: COUPLED  | Couples the marker sweep parameter values for all markers.   |
| UNCOUPLED         | Allows the marker sweep parameter values to be controlled independently. Only the marker on the active trace of the active channel can be controlled. This is the default marker mode. |
| MARKERS: DISCRETE | Places markers only on the measured trace points as determined by the sweep parameter settings.  |
| CONTINUOUS        | Interpolates between the measured points to allow the markers to be placed at any point on the trace. Displayed marker values are also interpolated. This is the default marker mode.  |
| MKR TIME on OFF   | Sets the x-axis marker readout to the sweep time (ON), or cancels the setting (OFF).   |

## Stimulus Block

---

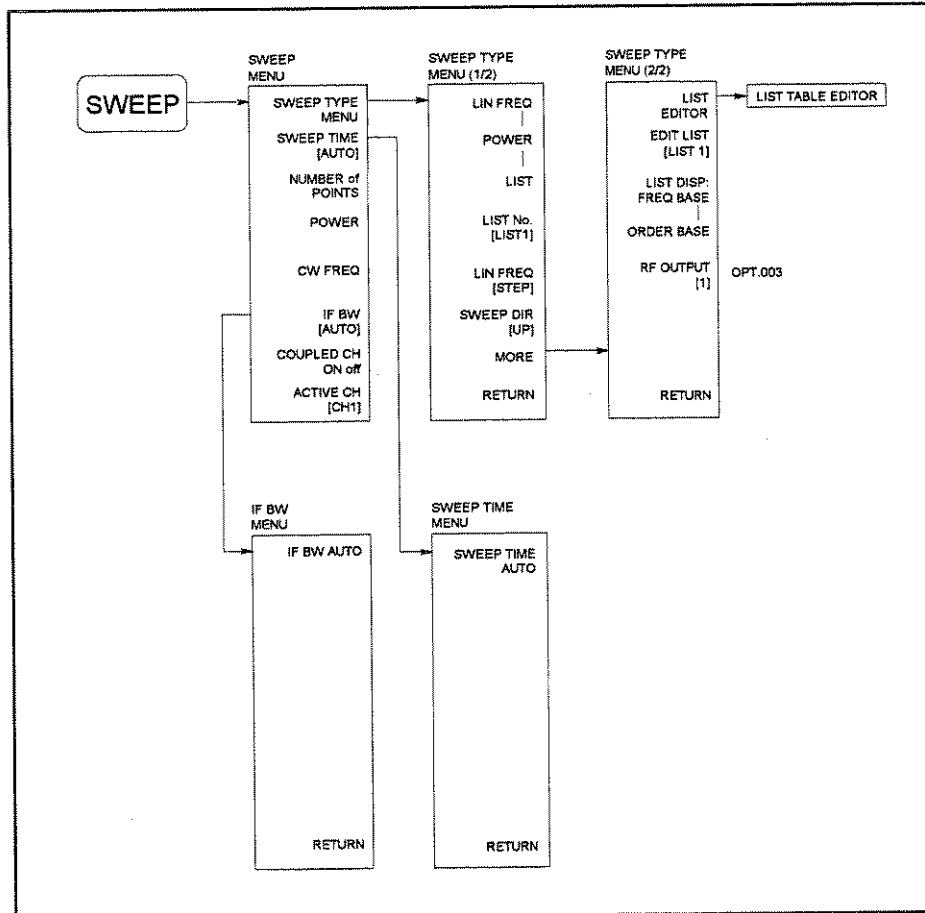
The stimulus block keys and associated menus provide control of the sweep, source, and trigger functions. The following list shows the functions controlled by each key in the stimulus block.

|                |   |
|----------------|---|
| <b>Sweep</b>   | Controlling sweep time<br>Selecting sweep type<br>Editing list table for list sweep (HP E5100A Only)<br>Controlling RF output signal source<br>Setting CW frequency for power sweep<br>Selecting stimulus and stimulus mode |
| <b>Trigger</b> | Selecting trigger mode<br>Selecting event caused by trigger<br>Restarting measurement   |
| <b>Start</b>   | Setting start value of stimulus parameter   |
| <b>Stop</b>    | Setting stop value of stimulus parameter  |
| <b>Center</b>  | Setting center value of stimulus parameter  |
| <b>Span</b>    | Setting span of stimulus parameter  |

Sweep

Sweep

The softkey menus accessed from the **Sweep** key are shown in Figure 5-1.



C7005004

Figure 5-1. Softkey Menus Accessed from the **Sweep** Key



## Sweep Menu

| Key Label                | Description  |
|--------------------------|--|
| <b>SWEEP TYPE MENU</b>   | Displays the <i>sweep type menu</i> where one of the available types of stimulus sweep can be selected.  |
| <b>SWEEP TIME</b>        | Displays the <i>sweep time menu</i> that sets the sweep time.  |
| <b>NUMBER of POINTS</b>  | Sets the number of data points per sweep. Using fewer points allows a faster sweep time but the displayed trace shows less horizontal detail. Using more points gives greater data density and improved trace resolution, but slows the sweep. In list frequency sweep, the number of points displayed is the total number of frequency points for the defined list.   |
| <b>POWER</b>             | Sets the output power level.   |
| <b>CW FREQ</b>           | Sets the frequency for power sweep.  |
| <b>IF BW</b>             | Sets the bandwidth value for IF bandwidth reduction. Allowed values (in Hz) are from 10 Hz to 30 kHz and 1, 1.5, 2, 3, 4, 5, and 8 steps. Any other value will default to the closest allowed value. A narrow bandwidth provides better signal-to-noise ratio. The selected bandwidth value is shown in brackets in the softkey label.   |
| <b>COUPLED CH on OFF</b> | Toggles channel coupling of the stimulus values. With <b>COUPLED CH ON</b> (default setting), all channels have the same stimulus values. With <b>COUPLED CH OFF</b> , the stimulus value of each channel depends on the number of channels as described below:<br><br><b>NUM of CH When COUPLED CH is OFF:</b> <ul style="list-style-type: none"> <li>2 Ch1 and Ch2 can have different stimulus.</li> <li>3 Ch1 and Ch2 have same stimulus. Ch3 can have different stimulus from Ch1 and Ch2.</li> <li>4 Ch1 and Ch2 have same stimulus, and Ch3 and Ch4 have same stimulus. Ch1 and Ch2 can have different stimulus from Ch3 and Ch4.</li> </ul> |
| <b>ACTIVE CH [CH1]</b>   | Selects the active channel.  |

## Sweep Type Menu

| Key Label                          | Description  |
|------------------------------------|--|
| LIN FREQ                           | Selects the linear frequency sweep mode.   |
| LIST FREQ                          | Selects the frequency list mode. Before using the frequency list mode, the frequency list must be created. If the list is not defined, this softkey performs no function. The HP E5100B does not have frequency list mode.   |
| POWER SWEEP                        | Power sweep mode. Used to characterize power-sensitive DUTs. In this mode, power is swept at a single frequency from a start power value to a stop power value. Values are selected using the <b>START</b> and <b>STOP</b> keys and the entry block.   |
| LIST NO. <input type="checkbox"/>  | Toggles between list1 and list2 to select list table. The HP E5100B does not have this softkey.  |
| LIN FREQ <input type="checkbox"/>  | Toggles between the step frequency sweep and the ramp frequency sweep mode. The analyzer sweeps frequency by measuring each point that is defined by the settings of the start and stop frequencies and the number of points. In ramp frequency sweep mode, the analyzer sweeps frequency continuously from start frequency to stop frequency. The ramp frequency sweep is faster than the step frequency sweep. |
| SWEEP DIR <input type="checkbox"/> | Toggles between the up and down sweep. The up and down sweep functions are valid in the linear frequency, ramp frequency, and power sweep.   |
| LIST EDITOR                        | Displays the <i>list table editor</i> to define or modify the frequency sweep list table. When this softkey is pressed, the <i>list table editor</i> is displayed instead of measurement display. The <i>list table editor</i> can define or modify a list table, such as spreadsheet. The HP E5100B does not have this softkey.   |
| EDIT LIST <input type="checkbox"/> | Toggles between list1 and list2 to select a list table for edit. Before entering the <i>list table editor</i> , select the list table number. The HP E5100B does not have this softkey.  |
| LIST DISP: FREQ BASE               | Displays data measured as the frequency base in the frequency list mode. The frequency scale is linear across the total range. Because the frequency points may not be distributed evenly across the graticule, the display resolution may be uneven and more compressed in some parts of the trace than in others. The HP E5100B does not have this softkey.  |
| ORDER BASE                         | Displays data measured as the order base in the frequency list mode. The displayed frequency resolution is even across the graticule, even though the frequency points are not distributed evenly. The HP E5100B does not have this softkey.   |
| RF OUT <input type="checkbox"/>    | Toggles between 1 and 2 to select RF OUTPUT port. This softkey appears when the analyzer is equipped with Option 003.  |

### Frequency List

Frequency list mode allows you to measure DUT response over several different frequency ranges or at specific frequency points. Each entry in the frequency list is called a *SEGMENT*, regardless of it being a frequency range or single point. Each segment can specify the number of points, source power level, and IF bandwidth. Up to 31 segments can be specified in any combination.

### When the warning "Too small Span for Ramp sweep" is displayed

When the warning "Too small Span for Ramp sweep" is displayed, the measurement frequency is not correct. In the ramp frequency sweep mode, set the span value within the following range:

$$\text{SPAN} > A \times (\text{NOP} - 1) \mu\text{Hz}$$

where, A is a constant, which depends on the IFBW value to be set as follows:

| IFBW   | A    | IFBW    | A   | IFBW   | A  |
|--------|------|---------|-----|--------|----|
| 10 Hz  | 8000 | 200 Hz  | 400 | 4 kHz  | 20 |
| 15 Hz  | 5332 | 300 Hz  | 268 | 5 kHz  | 16 |
| 20 Hz  | 4000 | 400 Hz  | 200 | 8 kHz  | 12 |
| 30 Hz  | 2668 | 500 Hz  | 160 | 10 kHz | 8  |
| 40 Hz  | 2000 | 800 Hz  | 100 | 15 kHz | 8  |
| 50 Hz  | 1600 | 1 kHz   | 80  | 20 kHz | 8  |
| 80 Hz  | 1000 | 1.5 kHz | 56  | 30 kHz | 4  |
| 100 Hz | 800  | 2 kHz   | 40  |        |    |
| 150 Hz | 532  | 3 kHz   | 28  |        |    |

## Sweep Time Menu

| Key Label              | Description  |
|------------------------|--|
| <b>SWEEP TIME AUTO</b> | Selects the optimum sweep time automatically.<br>Enters ":" for the manual sweep time entry. |

## List Table Editor

This editor edits the list table. The list table contains segments defined by the frequency range, number of points, power level and IF bandwidth.

The segments can be defined in any of the following terms:

- start / stop / number of points / power / IF bandwidth
- start / stop / step / power / IF bandwidth
- center / span / number of points / power / IF bandwidth
- center / span / step / power / IF bandwidth

The segments can overlap, and do not have to be entered in any particular order. The analyzer sorts the segments automatically after exiting the editor. When the editor is re-opened, the segments are sorted in order of increasing start frequency. If duplicate frequencies exist, the analyzer makes multiple measurements on identical points to maintain the specified number of points for each segment. The data is displayed as a single trace that is a composite of all data taken when the list display function is frequency based.

The data in the list table is cleared on instrument preset, cycling the power, and instrument state recall. The list and segment data can be saved using the built-in flexible disk drive and the RAM/FLASH disk.

| Key Label                | Description   |
|--------------------------|---|
| <input type="checkbox"/> | Moves the cursor to the upper cell.   |
| <input type="checkbox"/> | Moves the cursor to the lower cell.   |
| →                        | Moves the cursor to the right cell.   |
| ←                        | Moves the cursor to the left cell.  |
| FREQUENCY [ ]            | Toggles between SRT&STOP and CNTR&SPN. Pressing SRT&STOP changes the frequency segment to the start/stop format. Pressing CNTR&SPN changes the frequency segment to the center/span format. |
| NOP/STEP [ ]             | Toggles between NOP and STEP. Pressing NOP changes the frequency segment to the start/stop format. Pressing STEP changes the frequency segment to the center/span format.                   |
| INSERT SEGMENT           | Inserts a segment cell at the current cursor position.  |
| DELETE SEGMENT           | Deletes a cell at the current cursor position.  |
| CLEAR LIST               | Clears the current list table.  |
| CANCEL EDIT              | Cancel the list edit menu.  |
| END EDIT                 | Ends editing the list table and creates the list table.   |

Figure 6-6. Resonant Analysis (Min & Max)

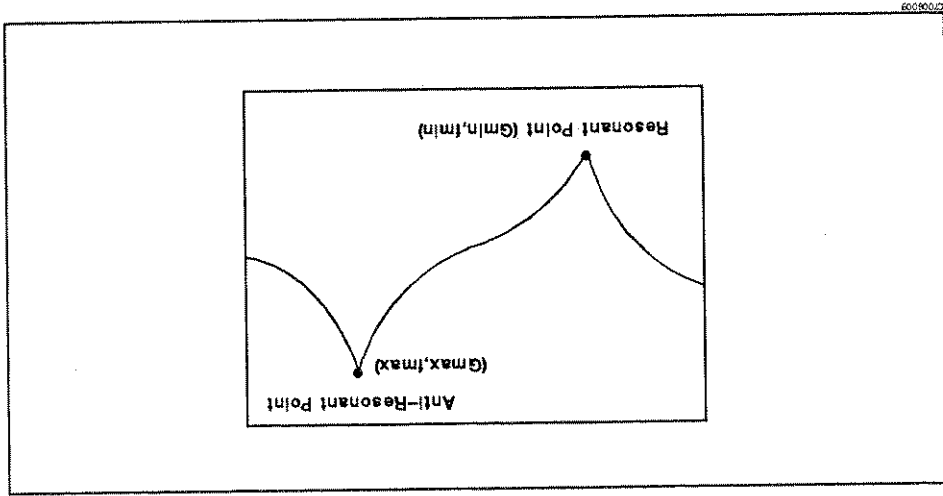
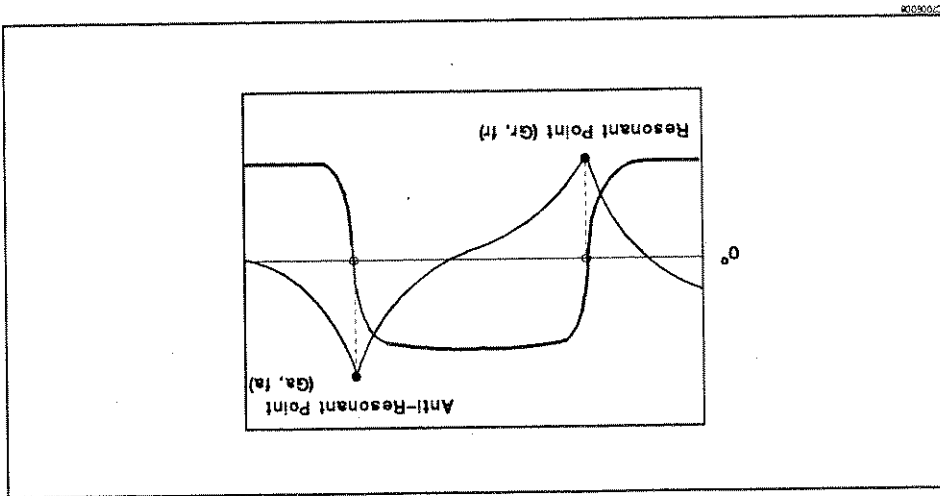


Figure 6-5. Resonant Analysis (0° phase)

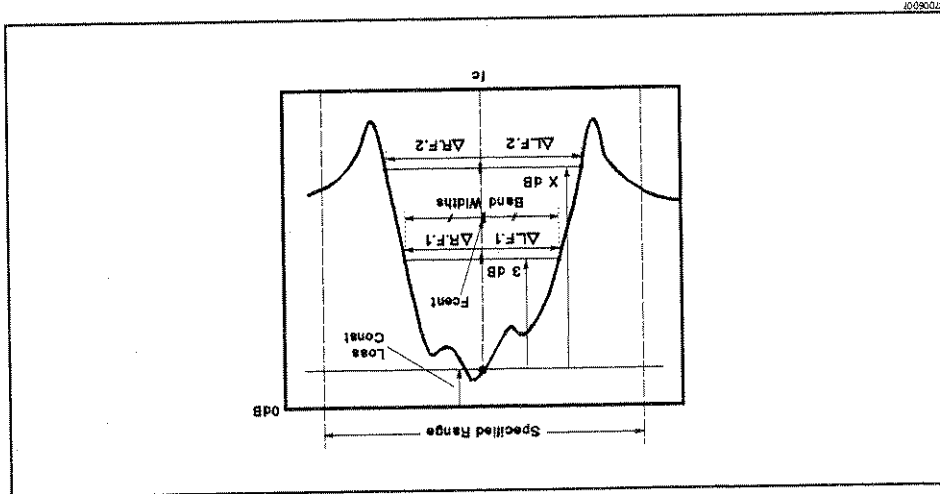


| Key Label           | Description  |
|---------------------|--|
| RESONANT (0° PHASE) | Derives the series resonant (Resonant) and parallel resonant (Anti-resonant) parameters, 0° phase point frequency fr (Resonant frequency) and fa (Anti-Resonant frequency), and the corresponding gain values Gr and Ga. This is equivalent to the HP-IB command "OUTPRES0?".  |
| RESONANT (MINMAX)   | Derives the maximum and minimum values. This is equivalent to the HP-IB command "OUTPMINMAX?".   |
| EQUIVALENT CKT 4    | Derives the four-element equivalent circuit parameters for the crystal resonator. The equivalent circuit is shown in Figure 6-7. Zeros will be returned for all parameters if no parameters can be found. This is equivalent to the HP-IB command "EQUCPARS4?".  |
| EQUIVALENT CKT 6    | Derives the six-element equivalent circuit parameters for the crystal resonator. The equivalent circuit is shown in Figure 6-8. Zeros will be returned for all parameters if no parameters can be found. This is equivalent to the HP-IB command "EQUCPARS4?".   |
| USER CI [ N ]       | Defines the user define CI value.  |
| MORE                | Leads the following sortkey menu, which is used to a $\pi$ network test fixture is used.   |
| SRC UNIT [ ]        | Selects the unit for the test signal power input.  |
| PI CIRCUIT on OFF   | Selects to use $\pi$ network test fixture. When PI CIRCUIT is set to ON, the analyser sets the test signal power level so that the power level applied to the DUT is equal to the power setting value, even the power unit is selected as W or A. This command uses the CI value set by USER CI. The power unit can be selected by SRC UNIT. |

Menu2

Menu2

Figure 6-4. Filter Parameter for -3 dB BAND WIDTH (Fc)



Menu1

Figure 6-3. Filter Parameter for -3 dB, X BAND WIDTH(MAX)

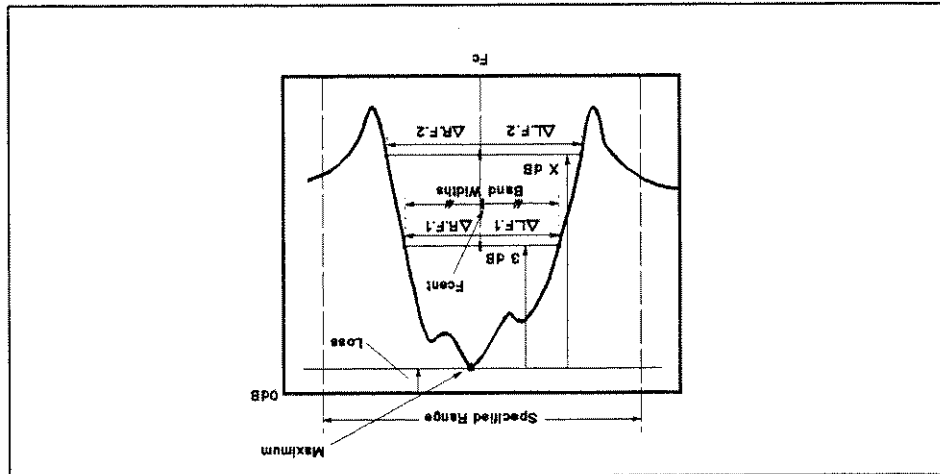


Figure 6-2. Filter Parameter for -3 dB BAND WIDTH(MAX) and X dB BAND WIDTH(MAX)

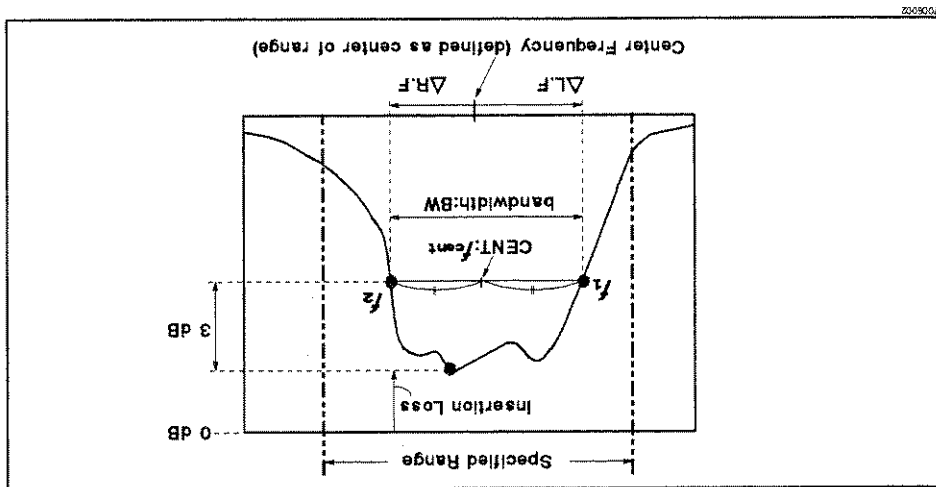


Figure 6-2 shows a typical example of a band pass filter measurement trace. The insertion loss is the absolute value of the difference of the maximum value within a specified range and 0 dB. BW is the stimulus width between two cutoff points ( $f_1$  and  $f_2$ ) and the center point of the two cutoff points is given as  $f_{cent}$ . Q is calculated as:

$$Q = \frac{\sqrt{f_1 \times f_2}}{BW}$$

ΔLF is the stimulus difference between the left -3 dB cutoff point and the center point of a specified range. Similarly, ΔRF is the difference between the right cutoff point and the center of a specified range. Zeros will be returned for all parameters when two -3 dB points can not be found.

-3 dB Bandwidth Command

Menu



| Description  | Key Label  |
|--|--|
| <p>Displays filter specific parameters, insertion loss, -3dB band width, frequency at the center point of two cutoff points (<math>f_{cent}</math>), <math>Q</math>, left cutoff point frequency (<math>\Delta LF</math>), and right cutoff point frequency (<math>\Delta RF</math>). This command uses the maximum peak value of the measurement trace as the reference. This is equivalent to the HP-IB command "OUTPFILT? -3".</p>  | -3 dB BAND WIDTH(MAX)  |
| <p>Displays filter specific parameters, insertion loss, -x band width, frequency at the center point of two cutoff points (<math>f_{cent}</math>), <math>Q</math>, left cutoff point frequency (<math>\Delta LF</math>), and right cutoff point frequency (<math>\Delta RF</math>). This command uses the maximum peak value of the measurement trace as the reference. This is equivalent to the HP-IB command "OUTPFILT?".</p>   | -X BAND WIDTH(MAX)   |
| <p>Displays filter specific parameters, insertion loss, -3 dB band width, frequency at the center point of -3 dB band width (<math>f_{cent}</math>), <math>Q</math>, left cutoff point frequency (<math>\Delta LF</math>) for -3 dB, right cutoff point frequency (<math>\Delta RF</math>) for -3 dB, left cutoff point frequency (<math>\Delta LF</math>) for -X dB, and right cutoff point frequency (<math>\Delta RF</math>) for -X dB. This command uses the value of the measurement trace as the center frequency as the reference value. These parameters are part of the query of the HP-IB command "OUTPCFIL? Fc,-3,X".</p> | -3,X dB BND WIDTH(Fc)  |
| <p>Displays filter specific parameters, insertion loss, -3 dB band width, frequency at the center point of -3 dB band width (<math>f_{cent}</math>), <math>Q</math>, left cutoff point frequency (<math>\Delta LF</math>) for -3 dB, right cutoff point frequency (<math>\Delta RF</math>) for -3 dB, left cutoff point frequency (<math>\Delta LF</math>) for -X dB, and right cutoff point frequency (<math>\Delta RF</math>) for -X dB. This command uses the value of the measurement trace as the center frequency as the reference value. These parameters are part of the query of the HP-IB command "OUTPCFIL? Fc,-3,X".</p> | BAND WIDTH VALUE   |
| <p>Sets the band width value X that is used in the command "OUTPCFIL? Fc,-3,X".</p>  | -3,X dB BND WIDTH(Fc),<br>-X BAND WIDTH, -3,X dB BND WIDTH(MAX), and |

Menu

Menu

# Menu Block

The menu block shows the functions controlled by each key in the menu block. The following list shows the functions associated with each key in the menu block.

- Menu1** Displays the filter analysis menu
- Menu2** Displays the resonator analysis menu
- Menu3** Not used (empty menu)

The sortkey menus accessed from the **Menu1**, **Menu2**, or **Menu3** keys are shown in the Figure 6-1.

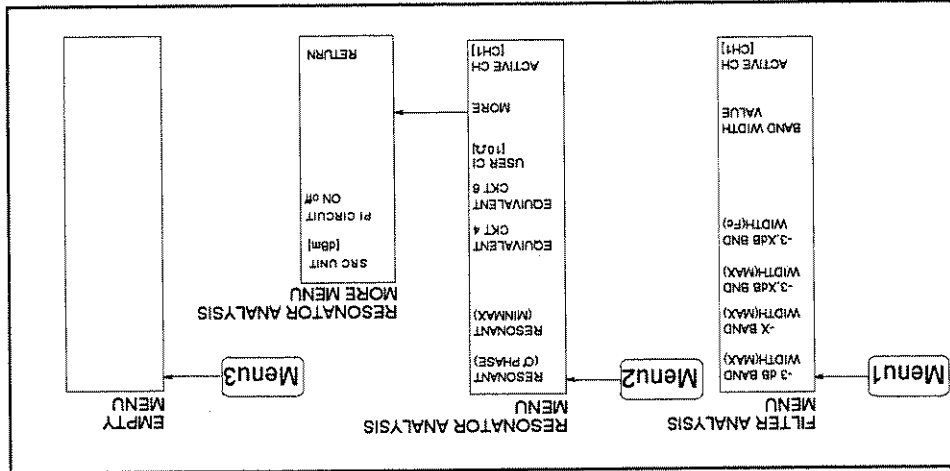


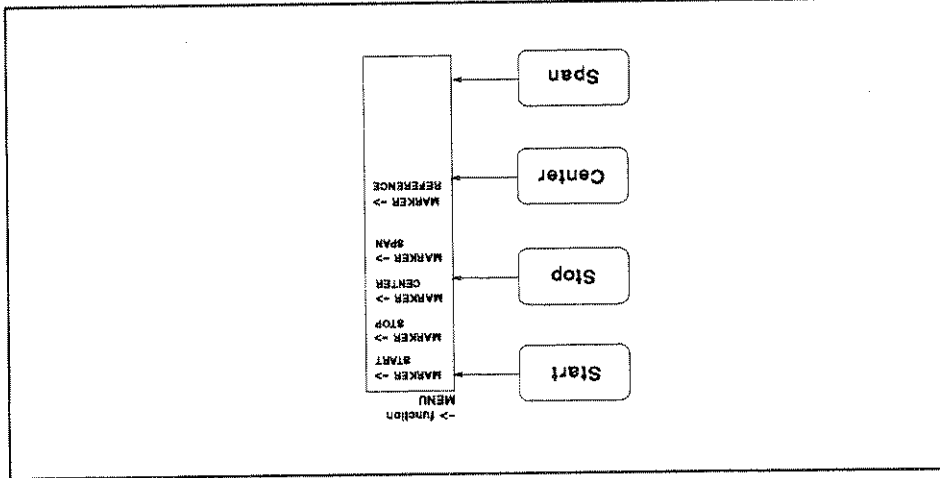
Figure 6-1. Sortkey Menus Accessed from the **Menu1**, **Menu2**, or **Menu3** Keys

These keys define the start value and the stop value, or the center value and the span value of the frequency range or power range of the stimulus parameter. The range can be expressed as either start/stop or center/span. When one of these keys is pressed, its function becomes the active function. The value is displayed in the active entry area and can be changed with the knob, step keys, or numeric keypad. Current stimulus parameter values for the active stimulus are also displayed along the bottom of the graticule. In power sweep, the sweep parameter value is in dbm.

→ Function Menu

| Key Label           | Description  |
|---------------------|--|
| MKR—START           | Changes the start value to the active marker's stimulus parameter value.       |
| MKR—STOP            | Changes the stop value to the active marker's stimulus parameter value.        |
| MKR—CENTER          | Changes the center value to the active marker's stimulus parameter value.      |
| MKR—SPAN            | Changes the span value to the span between the active marker and delta marker. |
| MARKER -> REFERENCE | Changes the value of the reference line to the active marker value.            |

Figure 5-3. Softkey Menu Accessed from the Start, Stop, Center, or Span Keys



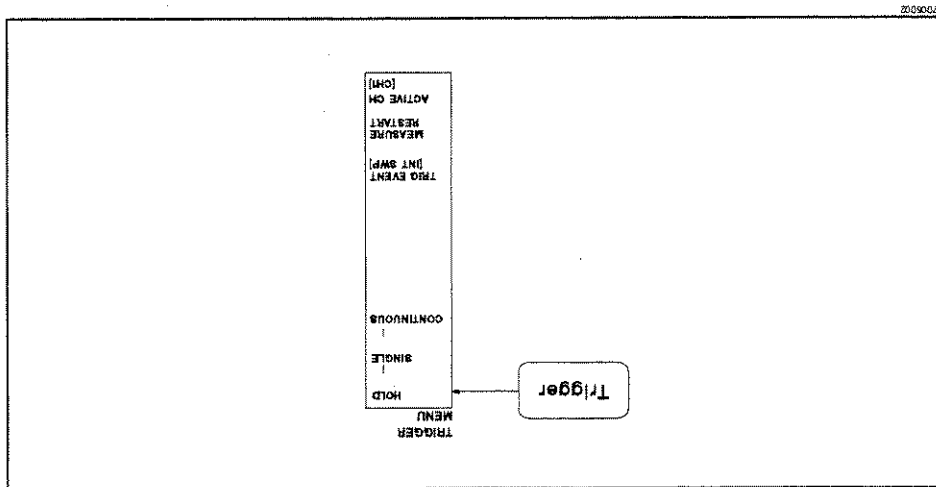
The softkey menu accessed from the Start, Stop, Center, or Span keys are shown in Figure 5-3.

Start Stop Center Span

Start Stop Center Span

| Key Label              | Description   |
|------------------------|---|
| <b>HOLD</b>            | Freezes the data trace on the display and the analyzer stops sweeping and taking data. The notation "Hld" is displayed at the left of the graticule. If the "*" indicator is on (at the left side of the display), trigger a new sweep by pressing <b>SINGLE</b> . Makes one sweep of data and returns to the hold mode. Triggers the sweep automatically and continuously (the trace is updated with each sweep). This is the standard sweep mode.   |
| <b>SINGLE</b>          | Toggles between an internal trigger and an external trigger. With an internal, the sweep is triggered automatically. With an external trigger, the sweep is triggered by an externally generated signal input applied to the rear panel EXT TRIGGER input. The sweep is started with a low-to-high transition of a TTL signal. If this key is pressed when no external trigger signal is connected, the notation "Ext" is displayed at the left side of the display to indicate that the analyzer is waiting to be triggered. When a trigger signal is connected, the "Ext" notation is replaced by the sweep speed indicator "1" either in the status notations area or on the trace. External trigger mode is allowed in all sweep modes. |
| <b>MEASURE RESTART</b> | Aborts the sweep in progress and then restarts the measurement. This can be used to update a measurement following an adjustment of the DUT or test signal source. If the sweep trigger is in the <b>HOLD</b> mode, <b>MEASURE RESTART</b> executes a single sweep.   |

Figure 5-2. Softkey Menus Accessed from the **Trigger** Key



The softkey menus accessed from the **Trigger** key are shown in Figure 5-2.

**Trigger**

**Trigger**

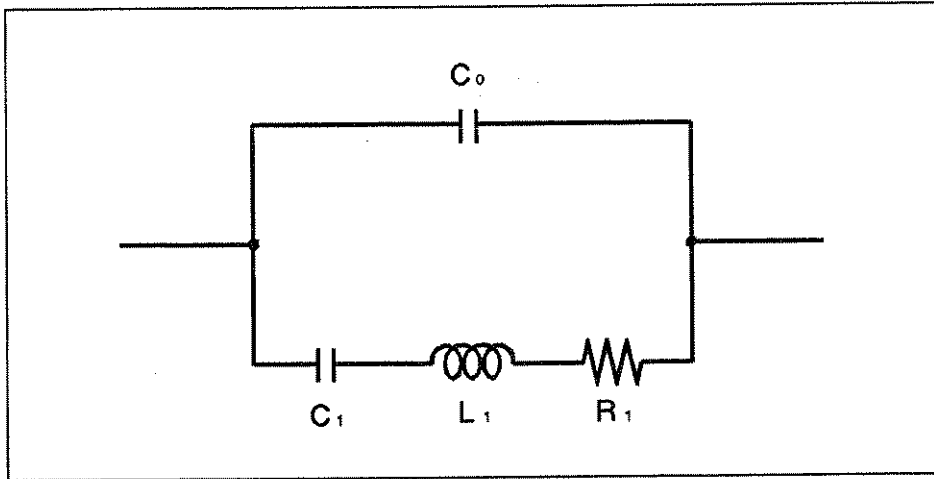


Figure 6-7. Four-Element Equivalent Circuit for Crystal Resonator

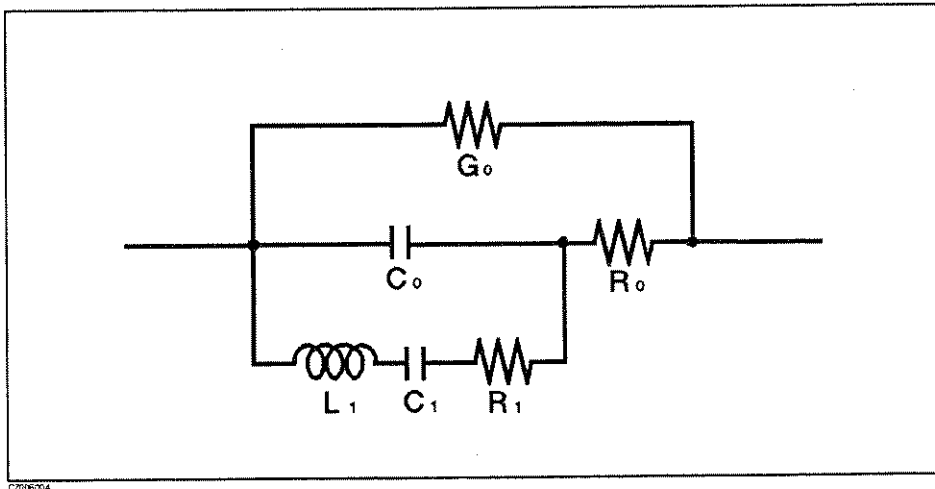


Figure 6-8. Six-Element Equivalent Circuit for Crystal Resonator

Menu3

Menu3

User define menu.

Softkey menu of **Menu3** can be defined by user. The menu is defined by HP-IB commands from an external controller or HP Instrument BASIC. The following table summarize the HP-IB commands to be used for the Menu3 definition.

|   |
|---|
| <p>■ <b>MENU3</b> <math>\lfloor</math> &lt;Softkey position&gt;, &lt;Upper softkey label&gt;, &lt;Lower softkey label&gt;, &lt;HP-IB command to be executed&gt;</p> <p><b>Description</b></p> <p>Defines the user softkey menu of <b>Menu3</b>. (No Query)</p> <p>The softkey label position is defined by 1 to 8. Up to 10 characters can be used for each softkey label.</p> <p><b>Examples</b></p> <pre>OUTPUT @E5100;"MENU3 1,""START"" ,""100 MHz"" ,""STAR 100M""</pre> |
| <p>■ <b>CLEMNU3</b></p> <p><b>Description</b></p> <p>Clears the softkey definitions of <b>Menu3</b>. (No Query)</p> <p><b>Examples</b></p> <pre>OUTPUT @E5100;"CLEMNU3"</pre>   |
| <p>■ <b>SAVDMNU3</b> <math>\lfloor</math> &lt;string&gt;</p> <p><b>Description</b></p> <p>Saves the definition of <b>Menu3</b> menu. (No Query, <b>Save/Recall</b> <b>SAVE MENU3</b>)</p> <p><b>Examples</b></p> <pre>OUTPUT @E5100;"SAVDMNU3 ""USERMENU""</pre>  |
| <p>■ <b>PRIR</b> <math>\lfloor</math> &lt;Query command&gt;</p> <p><b>Description</b></p> <p>Displays the query value of the HP-IB command given as a parameter. The query value is displayed on the Instrument BASIC print area.</p> <p><b>Examples</b></p> <pre>OUTPUT @E5100;"MENU3 1,""START"" ,""FREQ"" ,""PRIR 'STAR?'""</pre>  |

The examples can be used in the programs on an external controller or HP Instrument BASIC. You can also execute the examples using the external keyboard while in any display allocation type except for ALL INSTRUMENT. Enter an example using a keyboard in the BASIC screen and press **Enter**, the command is executed.

## System Block

---

The system block keys control system functions. These functions include the controller modes, analyzer addresses, real time clock, HP Instrument BASIC, printing, saving and recalling systems and trace data on a built-in disk, and preset state.

The following list shows the functions controlled by each key in the system block:

- |                    |  |
|--------------------|--|
| <b>System</b>      | Controlling HP Instrument BASIC.<br>Adjusting the LCD contrast.<br>Setting HP-IB mode and addresses.<br>Printing screen image.<br>Service Menu (used for testing). See the <i>Service Manual</i> for more information. |
| <b>Save/Recall</b> | Saving and recall the instrument state and data from the built-in disk drive.  |
| <b>Preset</b>      | Presets the state of the instrument.   |

System

System

The softkey menus accessed from the **System** key is shown in Figure 7-1.

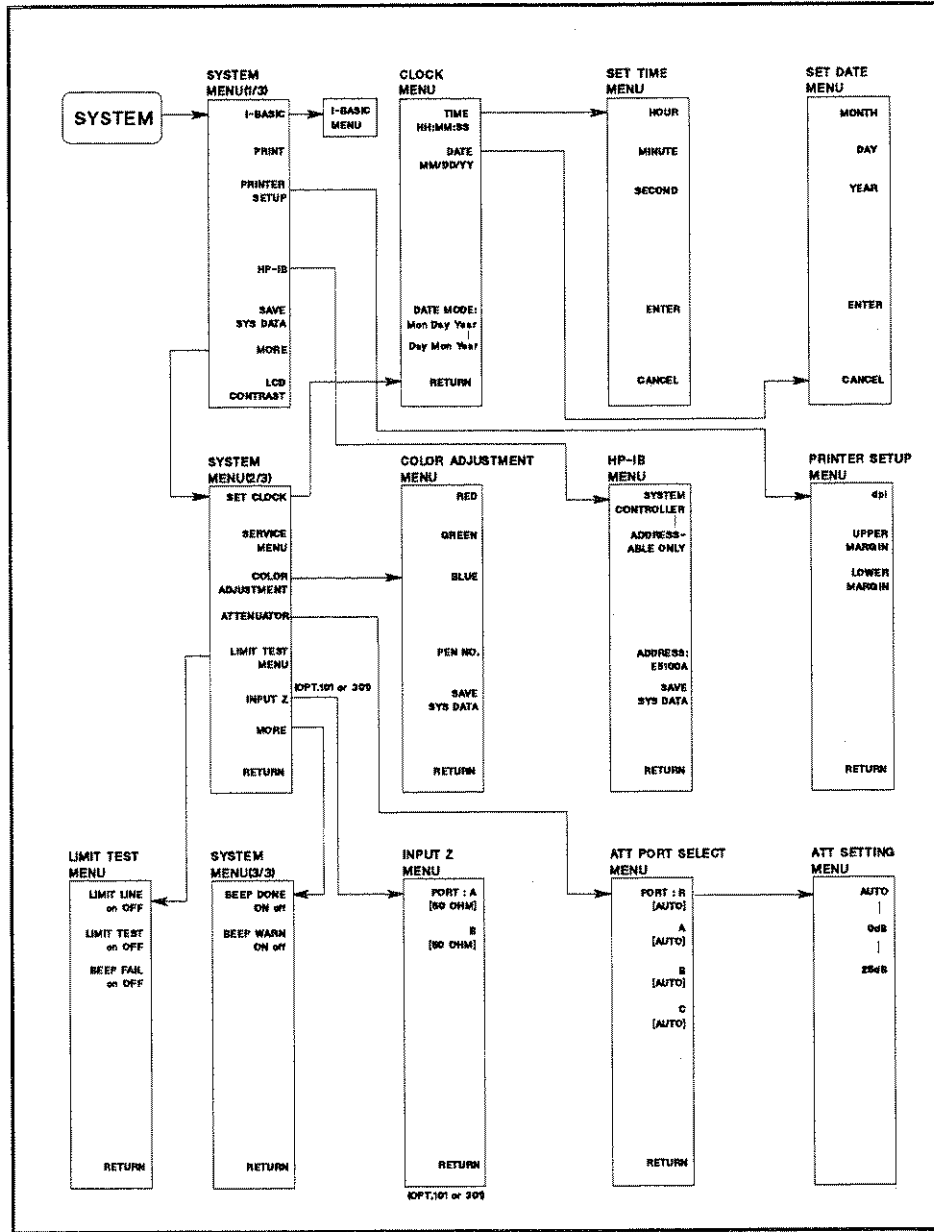


Figure 7-1. Softkey Menus Accessed from the **System** Key

7-2 System Block



## System Menu (1/3) (2/3) (3/3)

| Key Label        | Description   |
|------------------|---|
| IBASIC           | Displays the <i>i-basic menu</i> used to operate HP Instrument BASIC. This softkey disappears if the analyzer is equipped with Option UKR.  |
| PRINT            | Causes an exact copy of the display to be printed.  |
| PRINTER SETUP    | Displays the <i>printer setup menu</i> . This menu allows you to copy the display to a printer capable of graphics plotting. For information on compatible printers, see Chapter 9.   |
| HP-IB            | Displays the <i>hp-ib menu</i> that sets HP-IB address.   |
| SET CLOCK        | Displays the series of menus that set the internal clock.   |
| SAVE SYS DATA    | Stores the current system related setting, LCD contrast values, color adjustment for VGA display, printer setup and HP-IB setting. These setting is memorized even if the instrument is powered off. The setting is saved as the file named "SYS_DATA" in the FLASH disk. |
| SERVICE MENU     | Displays the series of service menus described in detail in the <i>Service Manual</i> .   |
| LCD CONTRAST     | Sets the contrast for LCD display. The rpg knob, numeric keys, arrow keys can control the contrast.   |
| COLOR ADJUSTMENT | Displays the <i>color adjustment menu</i> that adjusts the color balance for the external VGA display.  |
| ATTENUATOR       | Displays the <i>attenuator menu</i> that selects the attenuator setting for each input.   |
| LIMIT TEST MENU  | Display <i>limit test menu</i> that defines specifications used to test a DUT.  |
| INPUT Z          | Displays the <i>input impedance menu</i> that selects the input impedance for port A or B. This soft key appears if the analyzer is equipped with option 101 or option 301.   |
| BEEP DONE ON off | toggles an annunciator which sounds to indicate completion of certain operations such as calibration or instrument state save.  |
| BEEP WARN ON off | toggles the warning annunciator. When the annunciator is on it sounds a warning when a cautionary message is displayed.   |

## Printer Setup Menu

| Key Label    | Description                                |
|--------------|--|
| dpi          | Sets the dpi (dots per inch) of a printer. |
| UPPER MARGIN | Sets the upper margin of a printer.        |
| LOWER MARGIN | Sets the lower margin of a printer.        |

## HP-IB Menu

| Key Label         | Description   |
|-------------------|---|
| SYSTEM CONTROLLER | Sets the analyzer as the system controller. This mode is used when peripheral devices are to be used and there is no external controller. This mode must be selected manually from the analyzer's front panel and can only be used if no active system controller is connected to the system through the HP-IB. If you try to set system controller mode when another system controller is present, the message "CAUTION: CAN'T CHANGE - ANOTHER CONTROLLER ON BUS" is displayed. |
| ADDRESSABLE ONLY  | Sets the analyzer as addressable only. This mode is used when an external controller controls peripheral devices or the analyzer. This mode is also used when the external computer passes control of the bus to the analyzer.  |
| ADDRESS: E5100A   | Sets the HP-IB address of the analyzer using the entry controls. There is no physical address switch to set in the analyzer.  |
| SAVE SYS DATA     | Stores the current system related setting, LCD contrast values, color adjustment for VGA display, printer setup and HP-IB setting. These setting is memorized even if the instrument is powered off. The setting is saved as the file names of "SYS_DATA" in the FLASH disk.  |

### Local Key

The analyzer ignores all front panel keys (except the local key). The LOCAL softkey is displayed when the instrument is under the control of an external computer. The LOCAL softkey returns control of the front panel to the user. The analyzer is in "local mode" when the user has front panel control. The analyzer is in the "remote mode" when an external computer controls the analyzer.

## Clock Menu

| Key Label             | Description   |
|-----------------------|---|
| TIME HH:MM:SS         | Displays the current time in the active entry area and displays the page used to adjust the time. |
| DATE MM/DD/YY         | Displays the current date on the active entry area to adjust date.                                |
| DATE MODE: MonDayYear | Changes the displayed date to the "month:day:year" format.  |
| DayMonYear            | Changes the displayed date to the "day:month:year" format.  |

## Set Time Menu

| Key Label     | Description   |
|---------------|---|
| <b>HOUR</b>   | Enables changing the hour setting using the knob or the numeric entry keys. After you change the hour setting, press <b>ENTER</b> to restart the clock.     |
| <b>MIN</b>    | Enables changing the minute setting using the knob or the numeric entry keys. After you change the minute setting, press <b>ENTER</b> to restart the clock. |
| <b>SEC</b>    | Enables changing the second setting using the knob or the numeric entry keys. After you change the second setting, press <b>ENTER</b> to restart the clock. |
| <b>ENTER</b>  | Restarts the internal clock.  |
| <b>CANCEL</b> | Returns to the previous page. Pressing this key does not affect the internal clock setting.   |

## Set Date Menu

| Key Label     | Description   |
|---------------|---|
| <b>MONTH</b>  | Enables changing the month setting using the knob or the numeric entry keys. After you change the month setting, press <b>ENTER</b> to restart the clock. |
| <b>DAY</b>    | Enables changing the day setting using the knob or the numeric entry keys. After you change the day setting, press <b>ENTER</b> to restart the clock.     |
| <b>YEAR</b>   | Enables changing the year setting using the knob or the numeric entry keys. After you change the year setting, press <b>ENTER</b> to restart the clock.   |
| <b>ENTER</b>  | Restarts the internal clock.  |
| <b>CANCEL</b> | Returns to the previous page. Pressing this key does not affect the internal clock setting.   |

## Color Adjustment Menu

| Key Label            | Description   |         |                  |   |            |   |             |   |            |   |           |
|----------------------|---|---------|------------------|---|------------|---|-------------|---|------------|---|-----------|
| <b>RED</b>           | Sets the red factor in color adjustment for the external VGA monitor.   |         |                  |   |            |   |             |   |            |   |           |
| <b>GREEN</b>         | Sets the green factor in color adjustment for the external VGA monitor.   |         |                  |   |            |   |             |   |            |   |           |
| <b>BLUE</b>          | Sets the blue factor in color adjustment for the external VGA monitor.  |         |                  |   |            |   |             |   |            |   |           |
| <b>PEN NO.</b>       | Selects Pen No.   |         |                  |   |            |   |             |   |            |   |           |
|                      | <table border="1"> <thead> <tr> <th>Pen No.</th> <th>Display Elements</th> </tr> </thead> <tbody> <tr> <td>0</td> <td>Background</td> </tr> <tr> <td>1</td> <td>Title, Grid</td> </tr> <tr> <td>2</td> <td>Main Trace</td> </tr> <tr> <td>3</td> <td>Sub Trace</td> </tr> </tbody> </table> | Pen No. | Display Elements | 0 | Background | 1 | Title, Grid | 2 | Main Trace | 3 | Sub Trace |
| Pen No.              | Display Elements  |         |                  |   |            |   |             |   |            |   |           |
| 0                    | Background  |         |                  |   |            |   |             |   |            |   |           |
| 1                    | Title, Grid   |         |                  |   |            |   |             |   |            |   |           |
| 2                    | Main Trace  |         |                  |   |            |   |             |   |            |   |           |
| 3                    | Sub Trace   |         |                  |   |            |   |             |   |            |   |           |
| <b>SAVE SYS DATA</b> | Stores the current system related setting, LCD contrast values, color adjustment for VGA display, printer setup and HP-IB setting. These setting is memorized even if the instrument is powered off. The setting is saved as the file named "SYS_DATA" in the FLASH disk.                   |         |                  |   |            |   |             |   |            |   |           |

## Att Port Select Menu

Selects the input port for which you want to set the attenuator setting. The softkey labels for port R, A, B, and C appear depending on the option related with inputs.

## Att Setting Menu

| Key Label    | Description  |
|--------------|--|
| <b>AUTO</b>  | Selects the optimum attenuator setting automatically. When <b>AUTO</b> is selected, the maximum input level is -5 dBm. |
| <b>0 dB</b>  | Sets the input attenuator to 0 dB. When <b>0 dB</b> is selected, the maximum input level is -20 dBm.                   |
| <b>25 dB</b> | Sets the input attenuator to 25 dB. When <b>25 dB</b> is selected, the maximum input level is -5 dBm.                  |

## Limit Test Menu

| Key Label         | Description  |
|-------------------|--|
| LIMIT LINE on OFF | Turns limit lines ON or OFF. If limits have been defined and limit lines are turned on, the limit lines are displayed for visual comparison of the measured data in all Cartesian formats. |
| LIMIT TEST on OFF | Turns limit testing ON or OFF. When limit testing is ON, the data is compared with the defined limits at each measured point.  |
| BEEP FAIL on OFF  | Turns ON or OFF the limit fail beep. The limit beeper is independent of the warning beeper and the operation complete beeper.  |

## HP Instrument BASIC Menu

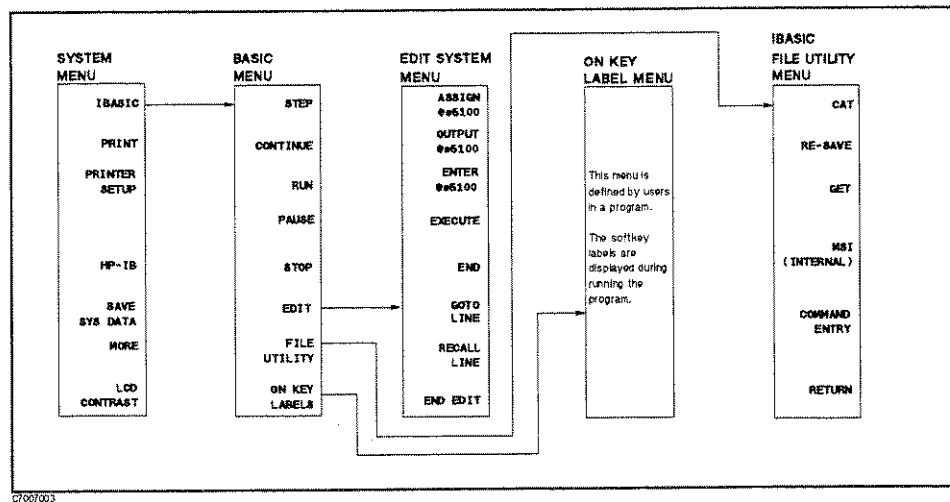


Figure 7-2. IBASIC Menu

### Basic Menu

#### Key Label

#### Description

| Key Label           | Description   |
|---------------------|---|
| <b>STEP</b>         | Allows you to execute one program line at a time. This is particularly useful for debugging.                |
| <b>CONTINUE</b>     | Resumes program execution from the point where it paused.   |
| <b>RUN</b>          | Starts a program from its beginning.  |
| <b>PAUSE</b>        | Pauses program execution after the current program line is executed.  |
| <b>STOP</b>         | Stops program execution after the current line. To restart the program, press <b>RUN</b> .                  |
| <b>EDIT</b>         | Enters into the EDIT mode. In the EDIT mode, the following softkeys are displayed on the softkey menu area. |
| <b>FILE UTILITY</b> | Displays to <i>file utility menu</i> .  |
| <b>ON KEY LABEL</b> | Displays a softkey menu defined during program execution (if the softkey menu has been defined).            |

### ON Key Label Menu

The softkeys in this menu are defined in a program and are labeled during program execution.

## Edit System Menu

| Key Label       | Description   |
|-----------------|---|
| ASSIGN @Hpe5100 | Produces the command ASSIGN @Hpe5100 TO 800 at the cursor's current position.   |
| OUTPUT @Hpe5100 | Produces the command OUTPUT @Hpe5100;" at the cursor's current position.  |
| ENTER @Hpe5100  | Produces the command ENTER @Hpe5100; at the cursor's current position.  |
| END             | Produces the command END.   |
| GOTO LINE       | Allows you to move the cursor to any line number or to a label. After pressing GOTO LINE, type a line number or a label and then press <b>Return</b> . The cursor moves to the specified line or label. |
| RECALL LINE     | Recalls the last deleted line.  |
| END EDIT        | Exits the edit mode.  |

## File Utility Menu

| Key Label                    | Description  |
|------------------------------|--|
| CAT                          | Produces the command "CAT". CAT lists the contents of a mass storage directory.  |
| RE-SAVE                      | Produces the command "RE-SAVE". RE-SAVE creates a specified ASCII file if it does not exist; otherwise, it re-writes a specified ASCII file by copying program lines as strings into that file.    |
| GET                          | Produces the command "GET". GET reads the specified ASCII file and attempts to store the strings into memory as program lines.   |
| MSI <input type="checkbox"/> | Selects the flexible disk drive or the FLASH disk as the storage device used with Instrument BASIC programs. This setting is independent of the setting of the STOR DEV under the <b>SAVE</b> key. |
| COMMAND ENTRY                | Displays the <i>command entry menu</i> that allows you to execute Instrument BASIC commands from the front panel keys.   |

## Command Entry Menu

Displays the softkeys that are used to enter BASIC commands. The active entry area displays the letters, digits, and some special characters. Three sets of letters can be scrolled using the step keys, **↑**, and **↓**.

Save/Recall

Save/Recall

The softkey menus accessed from the **Save/Recall** key is shown in Figure 7-3.

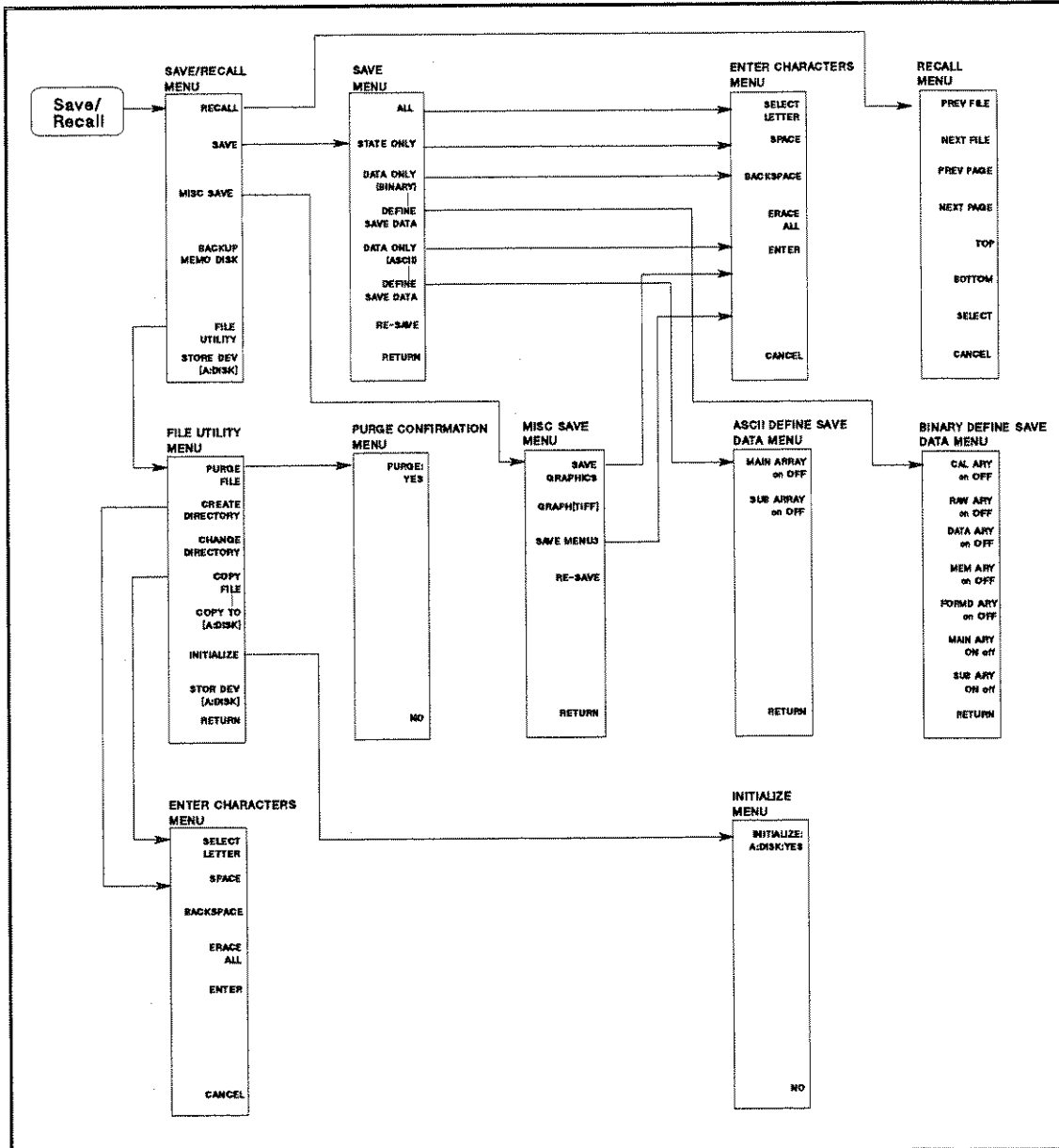


Figure 7-3. Softkey Menus Accessed from the **Save/Recall** Key



## Save/Recall Menu

| Key Label        | Description   |
|------------------|---|
| Recall           | Displays the <i>file select menu</i> that recalls the instrument state and data.  |
| Save             | Displays the <i>save menu</i> that saves the instrument state and data.   |
| BACKUP MEMO DISK | Stores the all files in the RAM disk to the FLASH disk. Refer to "RAM disk and FLASH disk".   |
| MISC SAVE        | Displays the <i>misc save menu</i> that saves the screen image and <b>Menu3</b> definition.   |
| FILE UTILITIES   | Displays softkeys that initialize a new disk or purge a file from a disk.   |
| STOR DEV [ ]     | Toggles between the flexible disk drive and the FLASH disk as the storage device. <b>[A:DISK]</b> shows the built-in flexible disk is selected and <b>[B:MEMO]</b> shows the RAM disk is selected. This setting does not change even when the line power is cycled or the <b>Preset</b> key is pressed. |

## Auto Recall

When the analyzer is turned on, it looks for a file named "AUTOREC" from the built-in flexible disk or FLASH disk, and if found, the analyzer automatically reads that file to retrieve its data.

## Save Menu

| Key Label          | Description  |
|--------------------|--|
| ALL                | Specifies saving the calibration coefficients and measurement data and the instrument stats.   |
| STATE ONLY         | Specifies saving the instrument states and the calibration coefficients.   |
| DATA ONLY (BINARY) | Specifies saving the internal data arrays as a binary file. The arrays saved are defined by the <b>DEFINE SAVE DATA</b> key. The applicable data arrays are saved. |
| DEFINE SAVE DATA   | Displays the <i>binary define save data menu</i> that selects the applicable data arrays to be saved as a binary file.   |
| DATA ONLY (ASCII)  | Specifies saving the internal data arrays as an ASCII file. The arrays saved are defined by the <b>DEFINE SAVE DATA</b> key.                                       |
| DEFINE SAVE DATA   | Displays the <i>ASCII define save data menu</i> that selects the applicable data arrays to be saved.   |
| RE-SAVE FILE       | Displays the re-save File menu used to update a file that is already saved as an ASCII file.   |

**Note**

DATA ONLY does not save instrument settings such as start and stop frequencies. Always make sure that you save the existing STATE if you want to use the setup again.

**Note**

When saving internal data arrays, note that ASCII data files cannot be recalled on the analyzer. If you need to recall the data, save the file in binary format.

**File Utility Menu**

| Key Label        | Description   |
|------------------|---|
| PURGE FILE       | Displays the <i>file select menu</i> used to select the file that you want to purge.  |
| CREATE DIRECTORY | Creates a new directory.  |
| CHANGE DIRECTORY | Changes the current directory.  |
| COPY FILE        | Copies files. When a file is copied between the flexible disk and the RAM disk.   |
| INITIALIZE       | Displays the <i>initialize menu</i> . A new disk must be initialized before data can be stored on it.   |
| STOR DEV [ ]     | Toggles between the flexible disk drive and the RAM disk as the storage device for initialize. [A:DISK] shows the built-in flexible disk is selected and [B:MEMO] shows the RAM disk is selected. |

**Binary Define Save Data Menu**


| Key Label        | Description  |
|------------------|--|
| RAW ARY on OFF   | Toggles saving or not saving the raw data arrays.                  |
| CAL ARY on OFF   | Toggles saving or not saving the calibration coefficients arrays.  |
| DATA ARY on OFF  | Toggles saving or not saving the data arrays. The data is complex. |
| MEM ARY on OFF   | Toggles saving or not saving the memory arrays.                    |
| FORMD ARY on OFF | Toggles saving or not saving the formatted trace arrays.           |
| MAIN ARY on OFF  | Toggles saving or not saving the main trace data arrays.           |
| SUB ARY on OFF   | Toggles saving or not saving the sub trace data arrays.            |

**Note**

The stored data structure depends on the setting of NUM of CH and MULTI CH. See "File Structure for Single Channel and Multi Channel".

## ASCII Define Save Data Menu

| Key Label         | Description  |
|-------------------|--|
| MAIN ARRAY on OFF | Toggles saving or not saving the main trace data arrays. |
| SUB ARRAY on OFF  | Toggles saving or not saving the sub trace data arrays.  |

**Note**  The stored data structure depends on the setting of NUM of CH and MULTI CH. See "File Structure for Single Channel and Multi Channel".

## Purge Confirmation Menu

| Key Label  | Description  |
|------------|--|
| PURGE: YES | Removes the file and returns to the previous menu.     |
| NO         | Returns to the previous menu without purging the file. |

## Initialize Confirmation Menu

| Key Label              | Description  |
|------------------------|--|
| INITIALIZE A-DISK: YES | Initializes the disk or the RAM disk.  |
| NO                     | Returns to the previous menu without initialize the flexible disk or the RAM disk. |

## Misc Save Menu

| Key Label     | Description   |
|---------------|---|
| SAVE GRAPHICS | Saves the display image to the disk in the built-in flexible disk drive or the RAM disk drive.                                    |
| GRAPH [ ]     | Selects the graphic format to be save the display image on the disk drive. Two graphic file formats, TIFF and PCL, are available. |
| SAVE MENU3    | Save the user definition of softkey accessed from <b>Menu3</b> .  |
| RE-SAVE       | Displays the re-save File menu used to update a file.   |

---

## File Types and Data Saved

### Binary Files and ASCII Files

The analyzer supports two file formats (binary and ASCII) that you can use to save data on a disk and memory. Binary files are used to save measurement conditions and data using the SAVE function, and to retrieve binary data using the RECALL function. External controllers and Instrument BASIC can read measurement data from binary data files. ASCII measurement data can be read by commonly available IBM PC based software for data analysis or other secondary functions. The RECALL function CANNOT read ASCII files.

---

#### Note



ASCII data files cannot be recalled on the analyzer. If you need to recall the data, save the file in binary format. This binary data can be recalled and saved as an ASCII file at any time.

---

### Data Groups

You can select and save one of the following five combinations between two file types and four data groups to a disk.

- Binary File
  - Instrument states
  - Internal data arrays
  - all data arrays (Instrument states and internal data arrays)
- ASCII File
  - Internal data arrays (ASCII format)

---

#### Note



DATA ONLY does not save instrument settings such as Start and Stop frequencies. When you first start a series of measurements. Always ensure that you save ALL of your first measurement with a particular setting.

---

### Instrument States

The instrument state group consists of all front panel settings and the calibration coefficient arrays. This data group can retrieve identical measurement conditions for later use.

### Internal Data Arrays

The internal data arrays, which are essentially stored in the analyzer's memory, consist of the following seven data arrays:

- *Raw data arrays* hold the raw data just after a measurement. These data arrays are complex.
- *Calibration Coefficients data arrays* hold the calibration coefficients obtained by calibration. These data arrays are complex.
- *Data arrays* hold the corrected data by calibration coefficients data. These data arrays are complex.
- *Memory arrays* hold the data in data arrays when the **DATA->MEM** under **Display** key is pressed. These data arrays are complex.

- *Formatted data arrays* hold the data after the process of format and smoothing. These data arrays are complex.
- *Main trace arrays* hold the main trace data arrays for each channels. These data arrays are floating point.
- *Sub trace arrays* hold the sub trace data arrays for each channels. These data arrays are available only when the dual traces format, such as LOGMAG & PHASE, is selected. These data arrays are floating point.

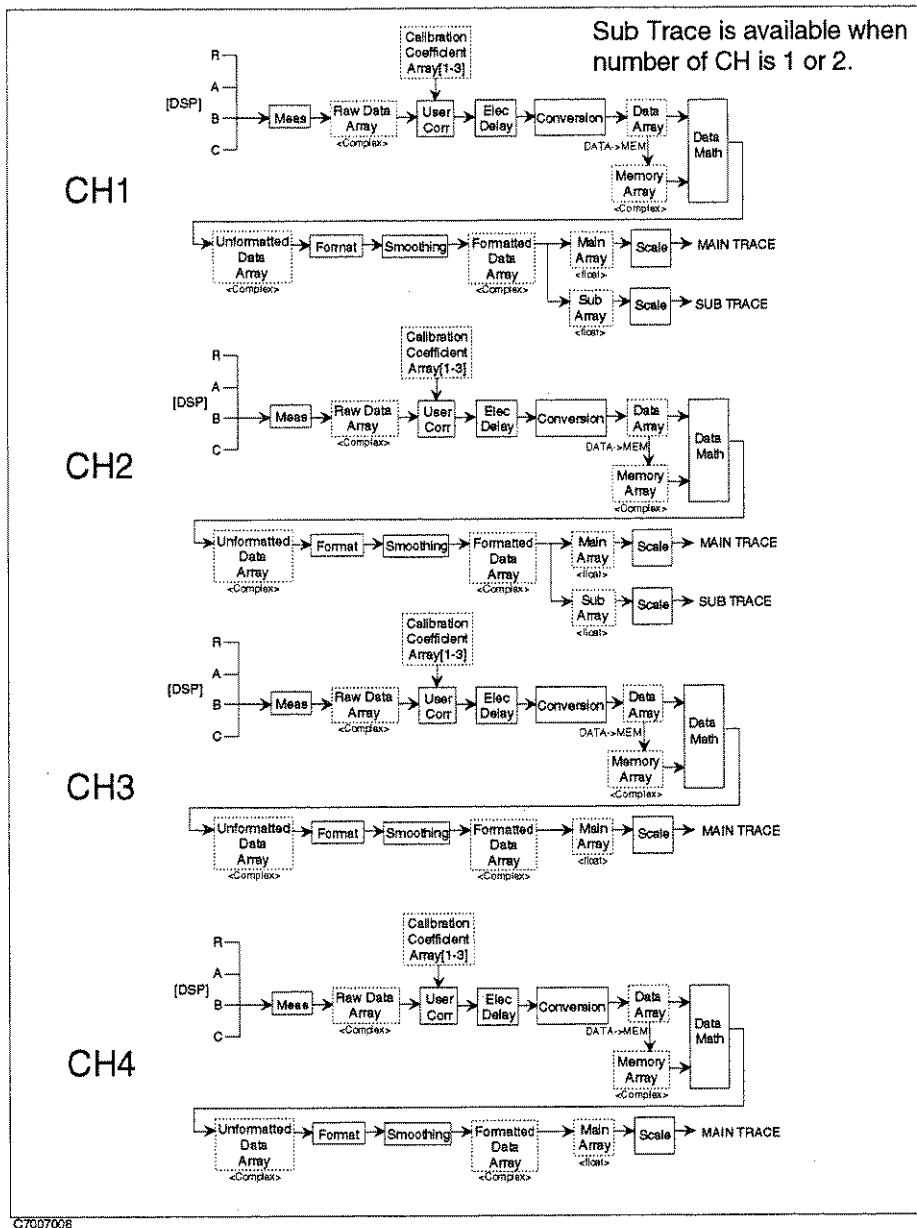


Figure 7-4. Data Processing Flow

### **Save/Recall**

These arrays can be saved selectively to suit the application. Saving only the necessary arrays reduces the disk space required and the disk access time.

### **All Data Arrays (Instrument States and Internal Data Arrays)**

These consist of the instrument states, which includes all measurement data.

### **Internal Data Arrays (ASCII file)**

The internal data arrays saved in an ASCII file consist of the main trace arrays and/or sub trace arrays.

---

## **Additional Information**

### **RAM disk and FLASH disk**

The analyzer has two memory disk, the RAM disk and the FLASH disk. The RAM disk is 256kbyte volatile storage and the FLASH disk is 256kbyte non-volatile storage. The commands of save/recall access only the RAM disk directly. Pressing **BACKUP MEMO DISK** key makes the all contents in the RAM disk copy to the FLASH disk. At power on, the all files in the FLASH disk copy to the RAM disk. This section describes the basic procedure for using the analyzer's disk drive.

### **WRITE Times Limitation of FLASH Disk**

The FLASH disk has a limit on the number of write operations. The guaranteed number of write operations to the FLASH disk is 100,000 times.

### **Disk Formats**

The analyzer disk drive uses a 720 Kbytes, or 1.44 Mbytes 3.5 inch micro-flexible disk. The flexible disk drive can access DOS formatted disks. The flexible disk drive can also initialize a new disk in DOS format. The RAM/FLASH disk can also use in a DOS format.

The following list shows the applicable DOS formats for the analyzer.

- 720 Kbytes, 80 tracks, double-sided, 9 sectors/track
- 1.44 Mbytes, 80 tracks, double-sided, 18 sectors/track

### **File Names**

All data saved using the built in disk drive has an identifying file name. A file name consists of the lower and upper case alphabet, numbers, and valid symbol characters. Up to 8 characters can be used for a file name. The following table shows the valid characters for file names.

Table 7-1. Valid Characters for File Names

| Valid Characters               | Description         |
|--------------------------------|---------------------|
| A - Z                          | Upper case alphabet |
| a - z                          | Lower case alphabet |
| 0 - 9                          | Numeric characters  |
| \$ & # % ' ! ( ) - _ @ ^ { } ~ | Symbol characters   |

One of the following suffixes or extensions is automatically added to the file name depending on the data group type stored in the file.

Table 7-2. Suffixes and Extensions Added Automatically

| Data Group   | Extensions |
|--|------------|
| Instrument States And Internal Data Arrays ( ALL ) | .ALL       |
| Instrument States ( STATE ONLY )                   | .STA       |
| Internal Data Arrays ( DATA ONLY (binary) )        | .DAT       |
| Internal Data Arrays ( DATA ONLY (ASCII) )         | .TXT       |

### To Copy Files Between the RAM Disk and the Flexible Disk

A copy function is provided to copy files between the RAM disk and the flexible disk. **FILE UTILITY** in the SAVE menu displays the softkey used to copy files.

### Auto Recall Function

When the analyzer is turned on, it looks for a file named "AUTOREC" from the built-in flexible disk. The sequence for search is "AUTOREC.ALL", "AUTOREC.STA", and "AUTOREC.DAT". If the file is found, the analyzer automatically reads the file to retrieve its data. If the analyzer does not find the file, the analyzer looks for the file in the FLASH disk.

### File Structure of Internal Data Array File for ASCII File

Numerical data and strings in an ASCII data file are separated by a tab, and a string is bound by double quotation marks.

### Status Block and Data Block

An ASCII data file consists of a status block and data blocks. The status block consists of two lines, the revision number and the date code. The Data block consists of three parts, the state part, the title line, and the data part.

#### ■ State

The state part consists of the following instrument states:

- Channel number
- Title on the screen
- Measurement type
- Format type
- Number of points

Save/Recall

- Sweep time
- Sweep type
- Source power
- IF bandwidth

■ Title

The title part consists of the data array names saved. Data array names are described in the next section.

■ Data

The data part consists of stimulus and measurement numerical data.

Table 7-3 shows an example of an ASCII data file.

Table 7-3. Contents of ASCII Files

| Block Names  |                   | Contents  |
|--------------|-------------------|---|
| Status Block |                   | "E5100A REV1.00"<br>"DATE: May 21 1995" <sup>1</sup>  |
| Data Block   | State             | "CHANNEL: 1"<br>"TITLE: This is a title." <sup>2</sup><br>"MEAS TYPE: AR"<br>"FORMAT TYPE: LOGMP"<br>"NUMBER of POINTS: 10"<br>"SWEEP TIME: 12.2 ms"<br>"SWEEP TYPE: LINP"<br>"SOURCE POWER: 0.000000E+00 dBm"<br>"IF BANDWIDTH: 3.000000E+04 Hz" |
|              | Title             | "Frequency"→"Main Array"→"Sub Array"→... <sup>3,4</sup>   |
|              | Data <sup>5</sup> | 1.0000000000E+04→8.20007E-1→4.09729E-1→... <sup>3</sup><br>3.3342222222E+07→9.32143E-1→-4.1914E-2→...<br>⋮  |

1 This is the date when the file is saved.

2 This line is listed when the title is defined (displayed).

3 "→" means tab code. Data is separated by the tab code.

4 This line lists the names of the data array saved in this file.

5 Each line lists the measurement data at each measurement point. The number of Lines in the data block is the same as the number of points.



### **File Structure for Single Channel and Multi Channel**

If you save an ASCII file when MULTI CHANNEL is turned OFF, the ASCII data file consists of the active channel's data. If MULTI CHANNEL is turned ON, the ASCII data file consists of the data of all channels which is set by NUM of CH under Meas/Format. The data for each channels are saved in order of channel number.

**Preset**

---

**Preset**

This key presets the instrument state to the preset default value. The preset default values are listed in Appendix B. **Preset** has no effect on the following states:

- Clock Time/Date
- HP-IB Address
- HP-IB Mode (system controller and addressable)
- Calibration Standard Definition
- LCD Contrast
- Color Adjustment
- Display Allocation
- Printer Setup

## Parallel I/O Ports

---

The parallel I/O ports on the rear panel of HP E5100A/B allow information communication with external devices such as a handler on a production line.

There are four types of parallel I/O ports: a standard parallel I/O port and three optional parallel I/O ports (Options 005, 006, and 007). Two or more parallel I/O ports cannot be used at the same time.

---

### I/O Ports for Standard Parallel I/O Ports and Option 006 Parallel I/O Mode B

This section provides information on the standard parallel I/O ports and Option 006 Parallel I/O Mode B.

#### I/O Ports

The analyzer with a standard or option 006 I/O port has two output ports and two bi-directional ports.

- Output-Only Port
  - Port A: 8 bits wide
  - Port B: 8 bits wide

Signals are output from the latches at the TTL level.

- Bi-directional ports
  - Port C: 4 bits wide
  - Port D: 4 bits wide

Output signals (latch output signals) are TTL-compatible. Use an HP-IB command to switch between input/output directions. When the HP E5100A/B is turned ON, both ports C and D are defined as input ports. (Related HP-IB commands: OUTCIO, OUTDIO, OUTPINPCIO?, and OUTPINPDIO?.)

Combining the above ports using HP-IB commands provides the following four different ports:

- Bi-directional Port
  - Port E: 8 bits wide (Port C + Port D)
- Output Ports
  - Port F: 16 bits wide (Port A + Port B)
  - Port G: 20 bits wide (Port A + Port B + Port C)
  - Port H: 24 bits wide (Port A + Port B + Port C + Port D)

## Control Signal Lines

I/O ports include nine types of output signal lines and one input signal line. Control signals are TTL-compatible (excluding the power supply line). These signals are described below.

### Port C Status Output Signal or Port D Status Output Signal

This signal is set at the low level when port C or D is defined as an input port. It is set at the high level when port C or D is defined as an output port. This signal is used to report the direction (input or output) of port C or D to external devices. (Related HP-IB commands: CIN, COUNT, DIN, and DOUT.)

### WRITE STROBE Output Signal for Output Port

When data is output to any output port, a negative pulse is output to WRITE STROBE OUTPUT. This negative output pulse notifies external devices of output to the parallel I/O port. Figure 8-1 shows the write strobe output signal and data output timing.

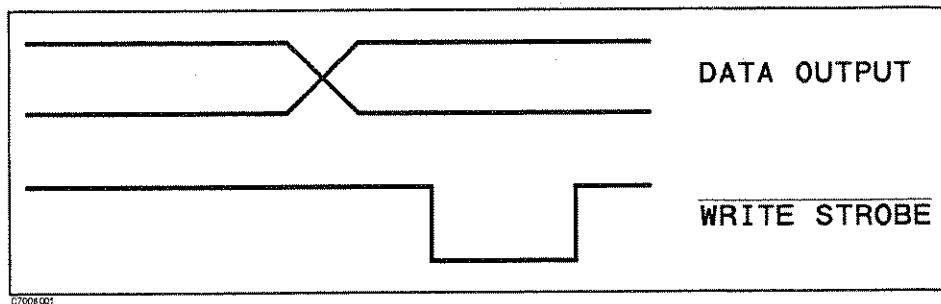


Figure 8-1. Write strobe signal timing chart

### INPUT1 Input Signal

When a negative pulse is input to INPUT1, OUTPUT1 and OUTPUT2 are set at the low or high level. An HP-IB signal is used to determine whether the high or low level is to be set. The width of the signal input to INPUT1 must be 1  $\mu$ s or more. (Related HP-IB commands: OUT1ENVH, OUT1ENVL, OUT2ENVH, and OUT2ENVL.)

### OUTPUT1 Output Signal or OUTPUT2 Output Signal

This signal (latch output signal) can be set at the low or high level by inputting a negative pulse to INPUT1 or using an HP-IB command. (Related HP-IB commands: OUT1H, OUT1L, OUT2H and OUT2L.)

### PASS/FAIL Output Signal

This signal is set to a high level (positive logic) or to a low level (negative logic) when the limit testing result is OK (PASS). It is set to a low level (positive logic) or to a high level (negative logic) when the test result is NG (FAIL). This signal is effective only when the limit test function is ON.

### WRITE STROBE Output Signal for PASS/FAIL Output

When the limit testing result is output to the PASS/FAIL output line, a negative pulse is output to WRITE STROBE OUTPUT. This output signal notifies external devices of the limit testing result output to the PASS/FAIL OUTPUT.

## SWEEP END Output Signal

When the HP E5100A/B completes a sweep, a negative pulse is output. The pulse width is 10  $\mu$ s.

## Power Lines

A +5 V output pin is provided for an external device. A maximum of 100 mA current can be supplied. This line has no phase. However, if an excess current flows, a protective circuit functions to cut off the main power of the HP E5100A/B. When the overcurrent subsides, the main power is turned ON again. In this case, all device settings are initialized.

Figure 8-2 shows the schematic drawing of input/output ports and control signal lines.

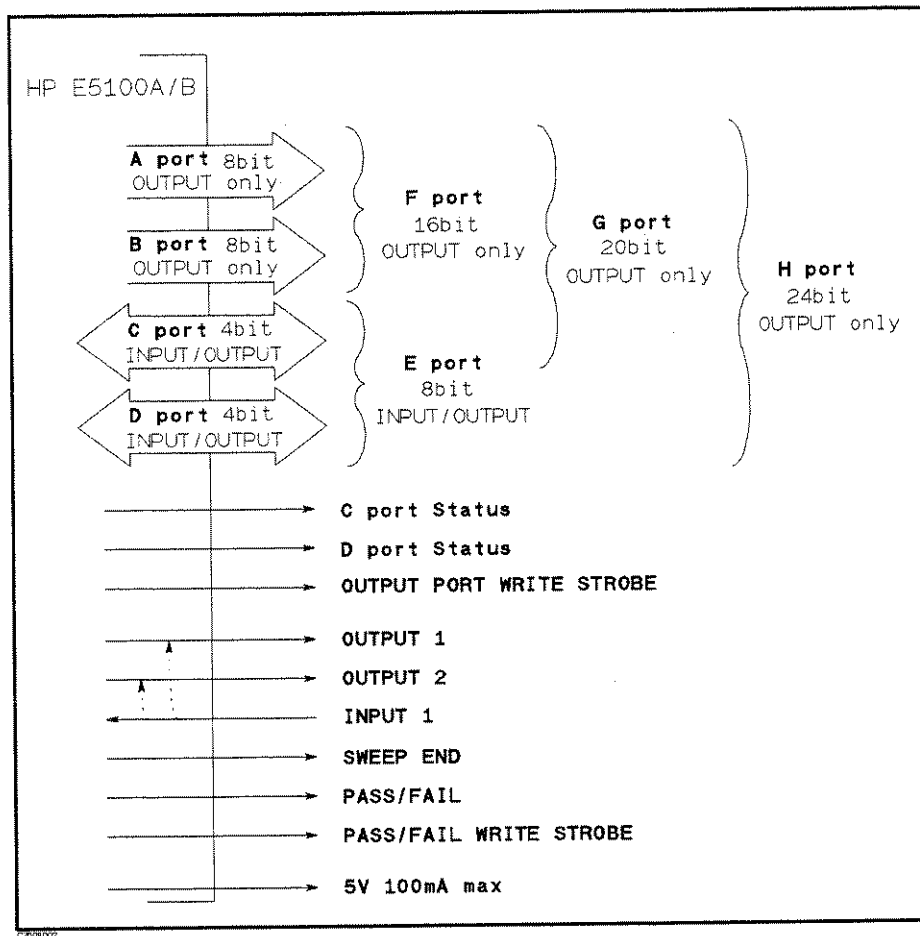
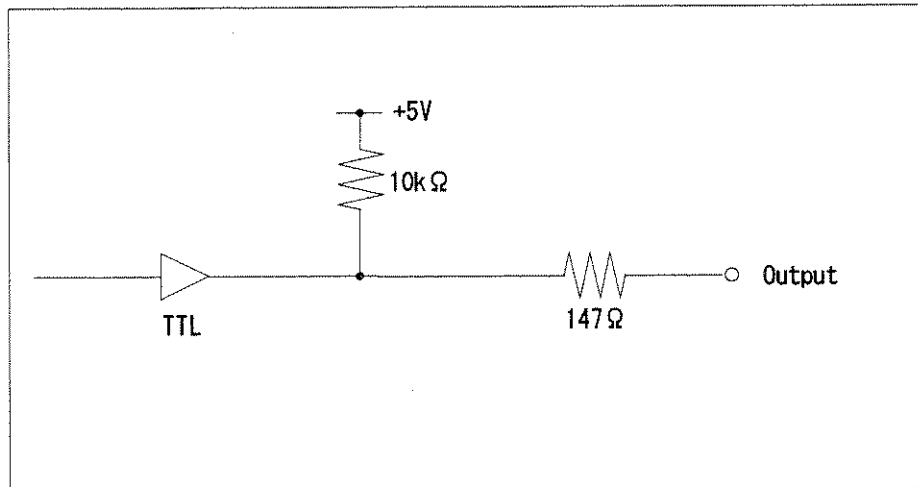


Figure 8-2. Schematic Drawing of Parallel I/O Ports

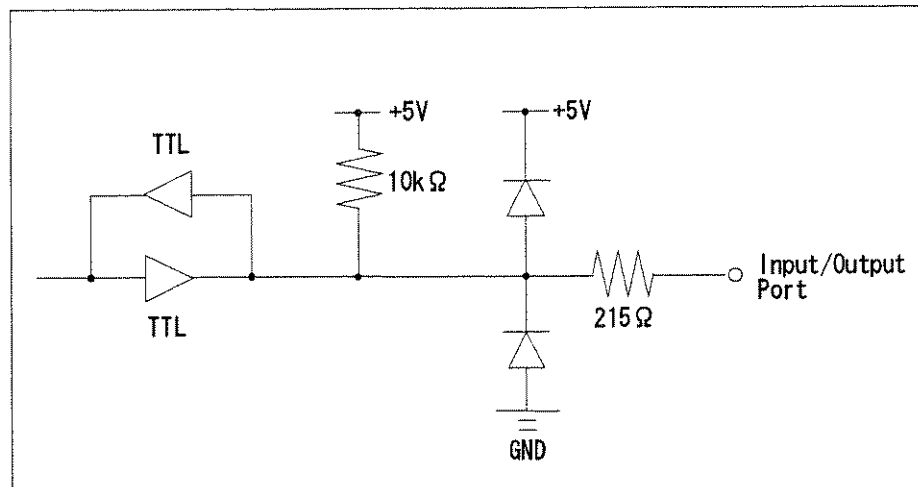
Figure 8-3 shows the internal circuits of the output port (Port A, Port B) and the output signal (OUTPUT1, OUTPUT2, Port C status, Port D status, Sweep end, Pass/Fail, Data write strobe, Pass/Fail write strobe)



C7008007

**Figure 8-3. Circuit of Output Port**

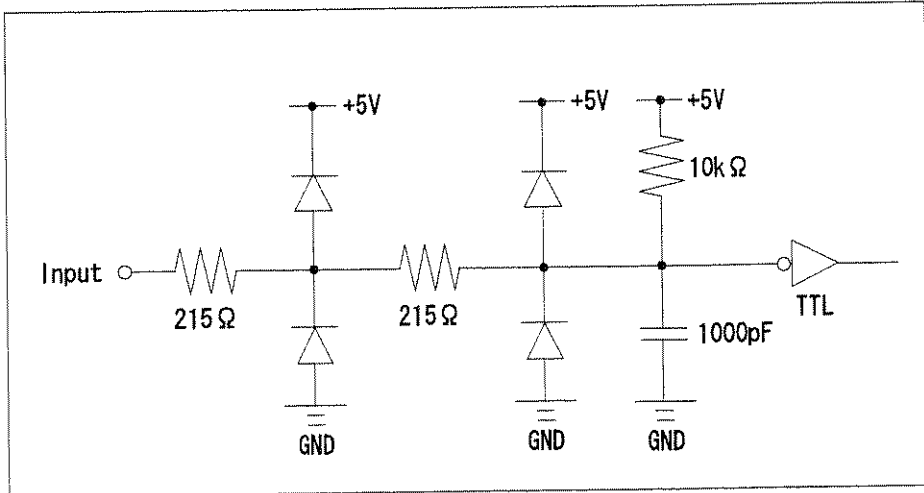
Figure 8-4 shows the internal circuits of the bi-directional port (Port C, Port D).



C7008008

**Figure 8-4. Circuit of Bi-directional Port**

Figure 8-5 shows the internal circuits of the input1.

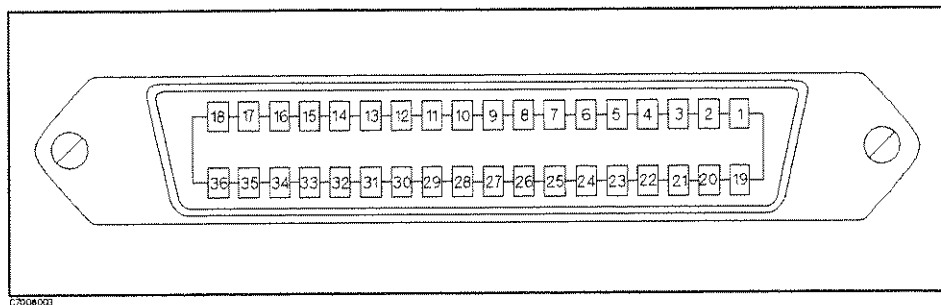


C7008009

Figure 8-5. Circuit of Input1

## Pin Assignment

Figure 8-6 shows the pin numbers. Table 8-1 shows the assignment of signals to pins.



**Figure 8-6. Parallel I/O Port Connector Pin Numbers**



**Table 8-1. Assignment of Signals to Pins (Standard)**

| Pin No. | Signal Name          | Signal Standard   |
|---------|----------------------|---|
| 1       | GND                  | 0 V   |
| 2       | INPUT1               | TTL level, Pulse input (Width: $\geq 1 \mu\text{s}$ )                   |
| 3       | OUTPUT1              | TTL level, Latch output   |
| 4       | OUTPUT2              | TTL level, Latch output   |
| 5       | Output port A0       | TTL level, Latch output   |
| 6       | Output port A1       | TTL level, Latch output   |
| 7       | Output port A2       | TTL level, Latch output   |
| 8       | Output port A3       | TTL level, Latch output   |
| 9       | Output port A4       | TTL level, Latch output   |
| 10      | Output port A5       | TTL level, Latch output   |
| 11      | Output port A6       | TTL level, Latch output   |
| 12      | Output port A7       | TTL level, Latch output   |
| 13      | Output port B0       | TTL level, Latch output   |
| 14      | Output port B1       | TTL level, Latch output   |
| 15      | Output port B2       | TTL level, Latch output   |
| 16      | Output port B3       | TTL level, Latch output   |
| 17      | Output port B4       | TTL level, Latch output   |
| 18      | Output port B5       | TTL level, Latch output   |
| 19      | Output port B6       | TTL level, Latch output   |
| 20      | Output port B7       | TTL level, Latch output   |
| 21      | Input/output port C0 | TTL level, Latch output   |
| 22      | Input/output port C1 | TTL level, Latch output   |
| 23      | Input/output port C2 | TTL level, Latch output   |
| 24      | Input/output port C3 | TTL level, Latch output   |
| 25      | Input/output port D0 | TTL level, Latch output   |
| 26      | Input/output port D1 | TTL level, Latch output   |
| 27      | Input/output port D2 | TTL level, Latch output   |
| 28      | Input/output port D3 | TTL level, Latch output   |
| 29      | Port C status        | TTL level, Input mode: Low, Output mode: High                           |
| 30      | Port D status        | TTL level, Input mode: Low, Output mode: High                           |
| 31      | Write strobe signal  | TTL level, Negative logic, Pulse output                                 |
| 32      | +5 V pull-up         |   |
| 33      | SWEEP END signal     | TTL level, Negative logic, Pulse output (Width: $\geq 10 \mu\text{s}$ ) |
| 34      | +5 V                 | +5 V, 100 mA max.   |
| 35      | PASS/FAIL signal     | TTL level, Latch output   |
| 36      | Write strobe signal  | TTL level, Negative logic, Pulse for pass/fail output                   |

**Table 8-2. Assignment of Signals to Pins (Option 006)**

| Pin No. | Signal Name          | Signal Standard   |
|---------|----------------------|---|
| 1       | GND                  | 0 V   |
| 2       | INPUT1               | TTL level, Pulse input (Width: $\geq 1 \mu\text{s}$ )                   |
| 3       | OUTPUT1              | TTL level, Latch output   |
| 4       | OUTPUT2              | TTL level, Latch output   |
| 5       | Output port A0       | TTL level, Latch output   |
| 6       | Output port A1       | TTL level, Latch output   |
| 7       | Output port A2       | TTL level, Latch output   |
| 8       | Output port A3       | TTL level, Latch output   |
| 9       | Output port A4       | TTL level, Latch output   |
| 10      | Output port A5       | TTL level, Latch output   |
| 11      | Output port A6       | TTL level, Latch output   |
| 12      | Output port A7       | TTL level, Latch output   |
| 13      | Output port B0       | TTL level, Latch output   |
| 14      | Output port B1       | TTL level, Latch output   |
| 15      | Output port B2       | TTL level, Latch output   |
| 16      | Output port B3       | TTL level, Latch output   |
| 17      | Output port B4       | TTL level, Latch output   |
| 18      | Not used             |   |
| 19      | Output port B5       | TTL level, Latch output   |
| 20      | Output port B6       | TTL level, Latch output   |
| 21      | Output port B7       | TTL level, Latch output   |
| 22      | Input/output port C0 | TTL level, Latch output   |
| 23      | Input/output port C1 | TTL level, Latch output   |
| 24      | Input/output port C2 | TTL level, Latch output   |
| 25      | Input/output port C3 | TTL level, Latch output   |
| 26      | Input/output port D0 | TTL level, Latch output   |
| 27      | Input/output port D1 | TTL level, Latch output   |
| 28      | Input/output port D2 | TTL level, Latch output   |
| 29      | Input/output port D3 | TTL level, Latch output   |
| 30      | Port C status        | TTL level, Input mode:Low, Output mode:High                             |
| 31      | Port D status        | TTL level, Input mode:Low, Output mode:High                             |
| 32      | Write strobe signal  | TTL level, Negative logic, Pulse output                                 |
| 33      | SWEEP END signal     | TTL level, Negative logic, Pulse output (Width: $\geq 10 \mu\text{s}$ ) |
| 34      | PASS/FAIL signal     | TTL level, Latch output   |
| 35      | +5 V                 | +5 V, 100 mA max.   |
| 36      | Write strobe signal  | TTL level, Negative logic, Pulse for pass/fail output                   |

## Related HP-IB Commands

The HP-IB commands related to the parallel I/O ports are summarized below. For more information on HP-IB commands, see the *HP-IB Programming Manual*.

### Data Output Commands

The following commands output data to the corresponding ports (A to H). When ports C, D, E, F, G, and H are used as output ports, ports C and D must be defined as output ports using HP-IB commands (COUT and DOUT).

| HP-IB Command | Description                    |
|---------------|--------------------------------|
| OUTAIO        | outputs 8-bit data to port A.  |
| OUTBIO        | outputs 8-bit data to port B.  |
| OUTCIO        | outputs 4-bit data to port C.  |
| OUTDIO        | outputs 4-bit data to port D.  |
| OUTEIO        | outputs 8-bit data to port E.  |
| OUTFIO        | outputs 16-bit data to port F. |
| OUTGIO        | outputs 20-bit data to port G. |
| OUTHIO        | outputs 24-bit data to port H. |

### Data Input Commands

The following commands read data from the corresponding input ports (C to E) and return the values to the HP-IB. Before receiving data, ports C and D must be defined as input ports using HP-IB commands (CIN and DIN).

| HP-IB Command | Description  |
|---------------|--|
| OUTPINPCIO?   | reads 4-bit data from port C and returns its value to the HP-IB. |
| OUTPINPDIO?   | reads 4-bit data from port D and returns its value to the HP-IB. |
| OUTPINPEIO?   | reads 8-bit data from port E and returns its value to the HP-IB. |

### Commands for Setting Input/Output Directions of Ports C and D

The following commands set the input/output directions of ports C and D. When the power is turned ON, ports C and D are defined as input ports. Pressing the **Presets** key does not affect this setting. This setting is saved to an instrument state file using the Save function.

| HP-IB Command | Description                       |
|---------------|-----------------------------------|
| CIN           | defines port C as an input port.  |
| COUT          | defines port C as an output port. |
| DIN           | defines port D as an input port.  |
| DOUT          | defines port D as an output port. |

### Positive and Negative Logic Setting Commands

The following commands set positive or negative logic for port input/output signals and pass/fail output signal. When the power is turned ON, negative logic is set. Pressing the **Preset** key does not affect this setting. This setting is saved to an instrument state file using the Save function.

| HP-IB Command | Description          |
|---------------|----------------------|
| NEGL          | sets negative logic. |
| POSL          | sets positive logic. |

### OUTPUT1 and OUTPUT2 Level Setting Commands

The following commands set OUTPUT1 and OUTPUT2 levels:

| HP-IB Command | Description                     |
|---------------|---------------------------------|
| OUT1H         | sets OUTPUT1 at the high level. |
| OUT1L         | sets OUTPUT1 at the low level.  |
| OUT2H         | sets OUTPUT2 at the high level. |
| OUT2L         | sets OUTPUT2 at the low level.  |

### Commands for Setting OUTPUT1 and OUTPUT2 at the High or Low Level Upon Input of a Pulse to INPUT1

The following commands set OUTPUT1 and OUTPUT2 at the high or low level when a negative pulse is input to INPUT1. When the power is turned ON, both OUTPUT1 and OUTPUT2 are set at the high level. Pressing the **Preset** key does not affect this setting. This setting is saved to an instrument state file using the Save function.

| HP-IB Command | Description   |
|---------------|---|
| OUT1ENVH      | sets OUTPUT1 at the high level when a pulse is input to INPUT1. |
| OUT1ENVL      | sets OUTPUT1 at the low level when a pulse is input to INPUT1.  |
| OUT2ENVH      | sets OUTPUT2 at the high level when a pulse is input to INPUT1. |
| OUT2ENVL      | sets OUTPUT2 at the low level when a pulse is input to INPUT1.  |

### Command for Checking Input to INPUT1

This command checks whether a pulse has been input to INPUT1. Sending this command after a pulse is input to INPUT1 will return a "1". If no pulse has been input to INPUT1, the return values will be "0". After "1" is received, succeeding values will be cleared (set to "0").

| HP-IB Command | Description               |
|---------------|---------------------------|
| INPT?         | checks a pulse to input1. |

## I/O Port for Option 005 Parallel I/O Mode A

This section provides information on Option 005 Parallel I/O Mode A (8-bit).

### Pin Assignment

The 8-bit I/O port consists of 15 TTL compatible signals, which are 8-bit output, 4-bit input, sweep end, pass/fail, and ground. The pin assignments are shown in Figure 8-7.

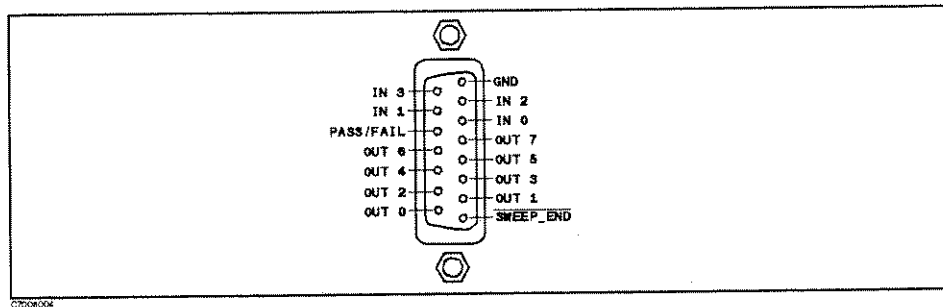
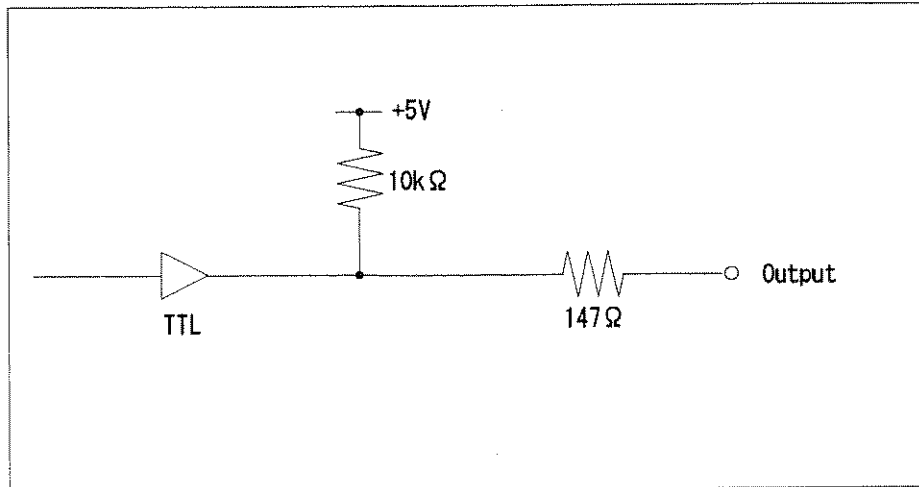


Figure 8-7. 8-bit I/O Port Pin Assignments

The signals carried through each pin are described below.

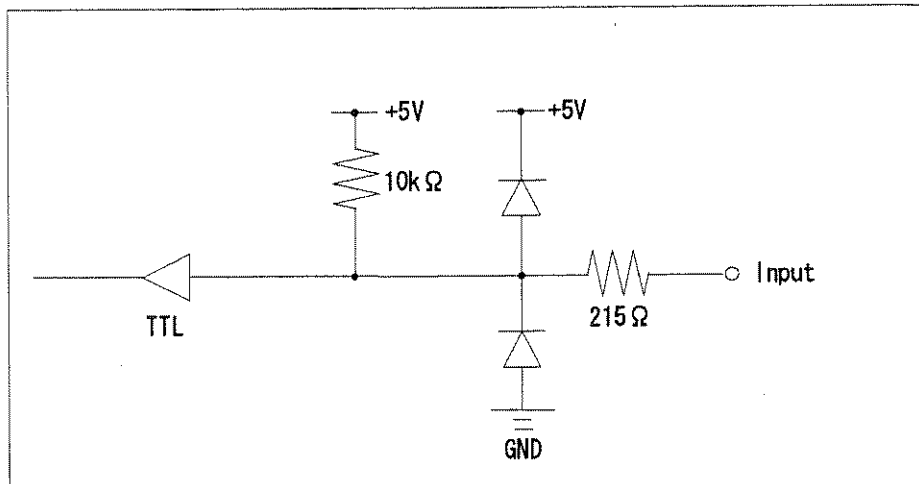
- |                  |  |
|------------------|--|
| <u>SWEEP_END</u> | outputs a negative pulse when the analyzer completes a sweep. The pulse width is $> 10 \mu\text{s}$ .  |
| OUT 0 thru 7     | output signals to external devices. They are controlled by the HP-IB command, <code>OUT8IO</code> , as described below. Once <code>OUT8IO</code> is executed, the signal is latched until <code>OUT8IO</code> is executed again. |
| IN 0 thru 4      | input signals from external devices. They are read by the HP-IB command <code>INP8IO</code> , as described below.  |
| PASS/FAIL        | is affected only when the limit testing is active. This signal presents HIGH and LOW if the test result is pass and fail (positive logic), or fail and pass (negative logic), respectively.                                      |

Figure 8-8 and Figure 8-9 show the internal circuits of the input and output.



C7008007

Figure 8-8. Circuit of output



C7008013

Figure 8-9. Circuit of Input

## Related HP-IB Commands

The HP-IB commands related to parallel I/O ports are summarized below. For more information on HP-IB commands, see the *HP-IB Programming Manual*.

| HP-IB Command | Description  |
|---------------|--|
| OUT8IO        | outputs 8-bit data to the OUT 0 thru 7 lines. The OUT 0 signal is the LSB (least significant bit), while the OUT 7 signal is the MSB (most significant bit).   |
| INP8IO        | inputs 4-bit data from the IN 0 thru 3 signals to the analyzer's memory. The IN 0 signal is the LSB (least significant bit), while the IN 3 signal is the MSB (most significant bit).  |
| INP8IO?       | inputs data from the 4-bit parallel input port to the HP 87510A, and outputs the data to the controller.   |
| OUTPINP8IO?   | is a query command that outputs 8-bit data to the controller. The data is obtained as 4-bit data by the INP8IO command and four upper significant bits (value = 0) are attached to extend the 4-bit data to 8-bit data.                |
| NEGL          | sets negative logic for pass/fail output signal. When the power is turned ON, negative logic is set. Pressing the <b>Preset</b> key does not affect this setting, This setting is saved to an instrument file using the Save function. |
| POSL          | sets positive logic for pass/fail output signal. When the power is turned ON, positive logic is set. Pressing the <b>Preset</b> key does not affect this setting, This setting is saved to an instrument file using the Save function. |

## I/O port for Option 007 Opto-Isolated Parallel I/O

This section provides information on Option 007 Opto-Isolated Parallel I/O.

### I/O Ports

- Output ports
  - Port A: 8 bits wide (A0 to A7, A0 is the lowest bit)
  - Port B: 8 bits wide (B0 to B7, B0 is the lowest bit)
  - Port F: 16 bits wide (A0 to A7, B0 to B7, A0 is the lowest bit)
- Input ports
  - Port C: 4 bits wide (C0 to C3, C0 is the lowest bit)
  - Port D: 4 bits wide (D0 to D3, D0 is the lowest bit)
  - Port E: 8 bits wide (C0 to C3, D0 to D3, C0 is the lowest bit)

### Control Signal Lines

I/O ports include eight output signal lines and one input signal line. These signal lines are photo-isolated. They are described below.

#### WRITE STROBE Output Signal for Output Port

When data is output to any output port, a negative pulse is output to WRITE STROBE OUTPUT. This negative output pulse notifies external devices of output to the parallel I/O port. Figure 8-10 shows the write strobe output signal and data output timing.

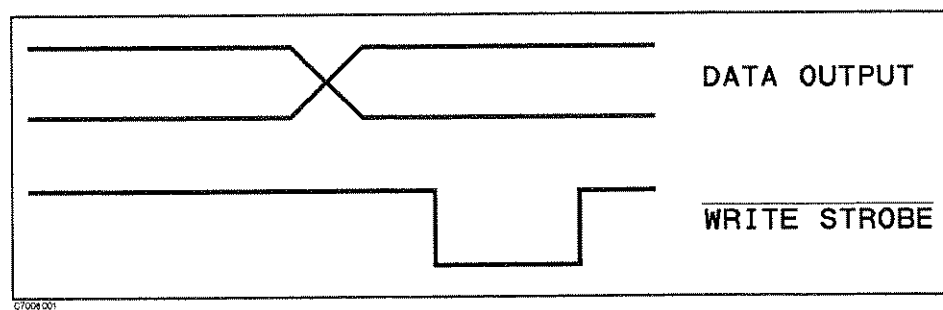


Figure 8-10. Write Strobe Signal Timing Chart

#### OUTPUT1 Output Signal or OUTPUT2 Output Signal

This signal (latch output signal) can be set at the low or high level by inputting a negative pulse to INPUT1 or using an HP-IB command. (Related HP-IB commands: OUT1H, OUT1L, OUT2H and OUT2L.)

#### PASS/FAIL Output Signal

This signal is set to a high level (positive logic) or to a low level (negative logic) when the limit testing result is OK (PASS). It is set to a low level (positive logic) or to a high level (negative logic) when the test result is NG (FAIL). This signal is effective only when the limit test function is ON.

#### WRITE STROBE Output Signal for PASS/FAIL Output

When the limit testing result is output to the PASS/FAIL output line, a negative pulse is output to WRITE STROBE OUTPUT. This output signal notifies external devices of the limit testing result output to the PASS/FAIL OUTPUT.



### SWEEP END Output Signal

When the HP E5100A/B completes a sweep, a negative pulse is output. The pulse width is 10  $\mu$ s.

### INTERRUPT Input Signal

When a negative pulse is input to INTERRUPT, the analyzer is interrupted. The width of the signal input to INTERRUPT must be 10  $\mu$ s or more.

### ALARM Output Signal

This signal is set to a low level until the analyzer is booted up and can make measurements. After the analyzer is booted up and can make measurements, this signal is set to a high level.

### Power Lines

#### + 5 V

This line applies +5 V voltage for an external device. A maximum of 100 mA current can be supplied.

#### Instrument GND

This line applies the GND voltage of the analyzer.

#### External Vcc

This line should be connected to an external VCC.

#### External GND

This line should be connected to an external GND.

### Recommended Operation Condition

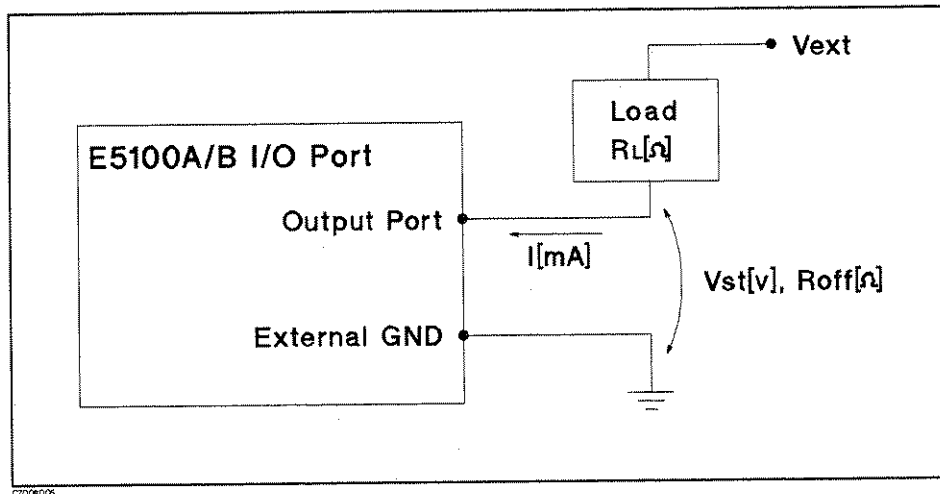


Figure 8-11. External GND

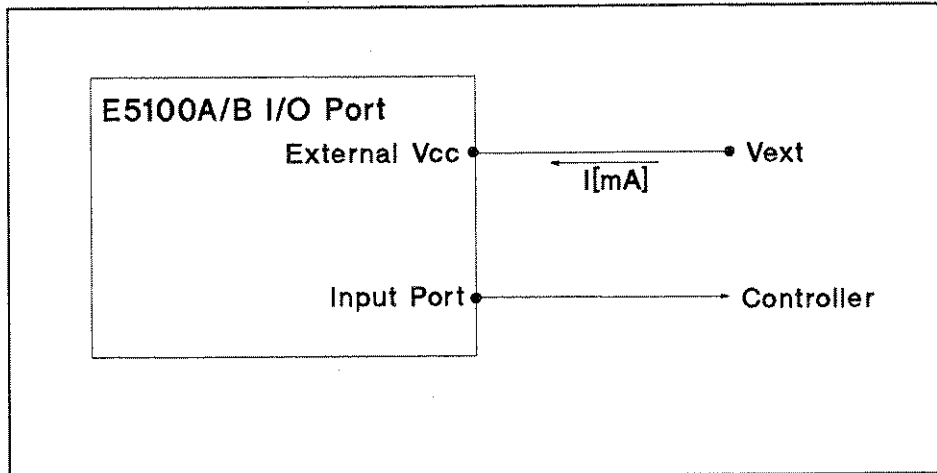
$V_{ext}$  and  $R_L$  are calculated by the following equation.

$$\frac{\left(\frac{V_{ext}}{2}\right)^2}{R_L} < 75mW$$

**Table 8-3. Assignment of Signals to Pins (Standard)**

| Parameter                      | Symbol                        | Rating             |
|--------------------------------|-------------------------------|--------------------|
| External Power Voltage         | $V_{ext}$                     | < 40 V             |
| Maximum Current                | $I_{max}$                     | 12 mA              |
| Saturation Voltage             | $V_{sat}$                     | 0.6V @ $I = 12$ mA |
| Propagation Delay <sup>1</sup> | Data Strobe, Pass/Fail Strobe | 200 $\mu$ s        |
|                                | Other Lines                   | 100 $\mu$ s        |

<sup>1</sup> Compare with TTL output



**Figure 8-12. External Vcc**

**Table 8-4. Assignment of Signals to Pins (Standard)**

| Parameter                      | Symbol      | Rating                 |
|--------------------------------|-------------|------------------------|
| External Voltage               | $V_{ext}$   | 5V to 25V <sup>1</sup> |
| Propagation Delay <sup>2</sup> | Interrupt   | 10 $\mu$ s             |
|                                | Other Lines | 100 $\mu$ s            |

<sup>1</sup> See "External Voltage Setting".

<sup>2</sup> Compare with TTL output

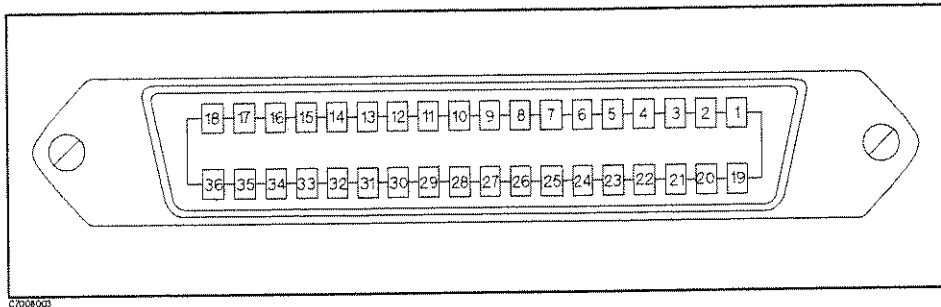
## External Voltage Setting

External Voltage range is 5V to 25V. However, the default setting at factory is 10V to 25V. When the external voltage from 5V to 10V is required, follow the instruction described below.

1. Remove the opto-isolated Parallel I/O board from the rear panel.
2. Set the J3 position from N to opposite side.
3. Reinstall the opto-isolated Parallel I/O board.

## Pin Assignment

Figure 8-13 shows pin numbers. Table 8-5 shows assignment of signals to pins.



**Figure 8-13. Parallel I/O Port Connector Pin Numbers**

**Table 8-5. Assignment of Signals to Pins (Standard)**

| Pin No. | Signal Name       | Signal Standard   |
|---------|-------------------|---|
| 1       | GND               | 0 V   |
| 2       | Output 1          | Photo-Isolated Latch output   |
| 3       | Output port A0    | Photo-Isolated Latch output   |
| 4       | Output port A2    | Photo-Isolated Latch output   |
| 5       | Output port A4    | Photo-Isolated Latch output   |
| 6       | Output port A6    | Photo-Isolated Latch output   |
| 7       | Output port B0    | Photo-Isolated Latch output   |
| 8       | Output port B2    | Photo-Isolated Latch output   |
| 9       | Output port B4    | Photo-Isolated Latch output   |
| 10      | Output port B6    | Photo-Isolated Latch output   |
| 11      | Input port C0     | Photo-Isolated input  |
| 12      | Input port C2     | Photo-Isolated input  |
| 13      | Input port D0     | Photo-Isolated input  |
| 14      | Input port D2     | Photo-Isolated input  |
| 15      | Data Write Strobe | Photo-Isolated Pulse output, Negative logic (Width: $\geq 10 \mu\text{s}$ ) |
| 16      | Sweep End         | Photo-Isolated Pulse output, Negative logic (Width: $\geq 20 \mu\text{s}$ ) |
| 17      | Interrupt         | Photo-Isolated Pulse output, Negative logic (Width: $\geq 10 \mu\text{s}$ ) |
| 18      | External Vcc      | External Power Source   |
| 19      | +5V               | +5 V, 100 mA max  |
| 20      | Output 2          | Photo-Isolated Latch output   |
| 21      | Output port A1    | Photo-Isolated Latch output   |
| 22      | Output port A3    | Photo-Isolated Latch output   |
| 23      | Output port A5    | Photo-Isolated Latch output   |
| 24      | Output port A7    | Photo-Isolated Latch output   |
| 25      | Output port B1    | Photo-Isolated Latch output   |
| 26      | Output port B3    | Photo-Isolated Latch output   |
| 27      | Output port B5    | Photo-Isolated Latch output   |
| 28      | Output port B7    | Photo-Isolated Latch output   |
| 29      | Input port C1     | Photo-Isolated input  |
| 30      | Input port C3     | Photo-Isolated input  |
| 31      | Input port D1     | Photo-Isolated input  |
| 32      | Input port D3     | Photo-Isolated input  |
| 33      | pass/fail strobe  | Photo-Isolated Pulse output, Negative logic (Width: $\geq 10 \mu\text{s}$ ) |
| 34      | pass/fail         | Photo-Isolated Latch output   |
| 35      | Alarm             | Photo-Isolated Latch output   |
| 36      | External GND      | External GND  |

Figure 8-14 shows the internal circuits of the output port (Port A, Port B) and the output signal(OUTPUT1, OUTPUT2, Port C status, Port D status, Sweep end, Pass/Fail, Data write strobe, Pass/Fail write strobe)

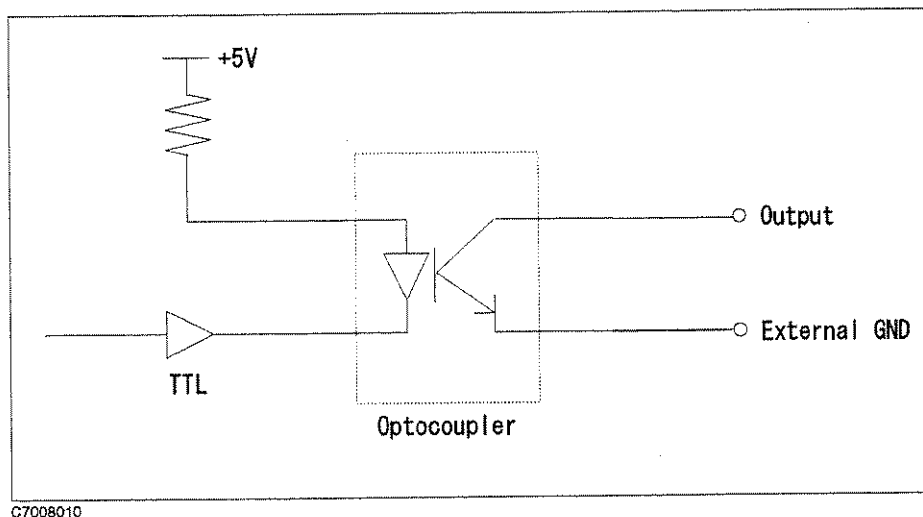


Figure 8-14. Circuit of Output

Figure 8-15 shows the internal circuits of the input port (Port C, Port D).

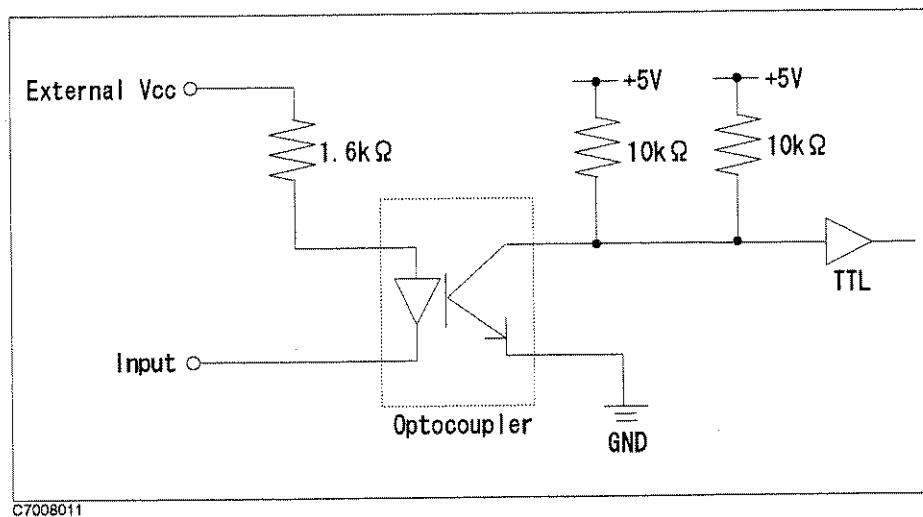


Figure 8-15. Circuit of Input Port

Figure 8-16 shows the internal circuits of the interrupt.

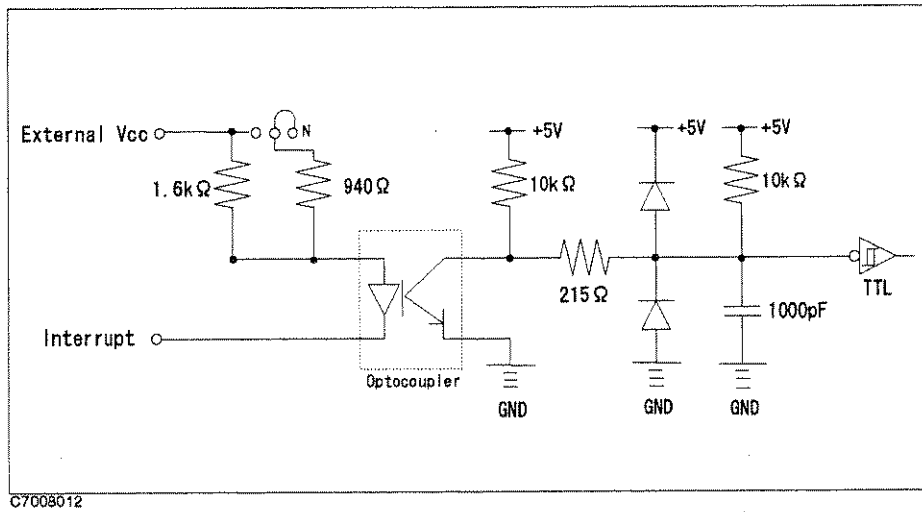


Figure 8-16. Circuit of Interrupt

## Related HP-IB Commands

The HP-IB commands related to parallel I/O ports are summarized below. For more information on HP-IB commands, see the *HP-IB Programming Manual*.

### Data Output Commands

The following commands output data to the corresponding ports (A, B and F ports).

| HP-IB Command | Description                    |
|---------------|--------------------------------|
| OUTAIO        | outputs 8-bit data to port A.  |
| OUTBIO        | outputs 8-bit data to port B.  |
| OUTFIO        | outputs 16-bit data to port F. |

### Data Input Commands

The following commands read data from the corresponding input ports (C to E) and returns the values to the HP-IB.

| HP-IB Command | Description  |
|---------------|--|
| OUTPINPCIO?   | reads 4-bit data from port C and returns its value to the HP-IB. |
| OUTPINPDIO?   | reads 4-bit data from port D and returns its value to the HP-IB. |
| OUTPINPEIO?   | reads 8-bit data from port E and returns its value to the HP-IB. |

### Positive and Negative Logic Setting Commands

The following commands set positive or negative logic for port input/output signals and pass/fail output signal. When the power is turned ON, negative logic is set. Pressing the **Preset** key does not affect this setting. This setting is saved to an instrument state file using the Save function.

| HP-IB Command | Description          |
|---------------|----------------------|
| NEGL          | sets negative logic. |
| POSL          | sets positive logic. |

### OUTPUT1 and OUTPUT2 Level Setting Commands

The following commands set OUTPUT1 and OUTPUT2 levels:

| HP-IB Command | Description                     |
|---------------|---------------------------------|
| OUT1H         | sets OUTPUT1 at the high level. |
| OUT1L         | sets OUTPUT1 at the low level.  |
| OUT2H         | sets OUTPUT2 at the high level. |
| OUT2L         | sets OUTPUT2 at the low level.  |





## Accessories and Options

---

### Options Available

#### Crystal Resonator Test w/PI-network (Option 600)

This option can apply higher power through a  $\pi$  network and an external attenuator is not required. This option provides two receivers (Ports R and A). It supplies  $-52$  to  $+18$  dBm power at RF OUT1 and  $-65$  to  $+5$  dBm at RF OUT2. This option cannot be used with options 100, 200, 300, 400, 101, 301, 302, 001, 002, 003 and 010.

#### 1 Receiver, Port A (Option 100)

This option provides one receiver (Port A). This option cannot be used with options 200, 300, 400, and 600.

#### 2 Receivers, Ports R and A (Option 200)

This option provides two receivers (Ports R and A). This option cannot be used with options 100, 300, 400, and 600.

#### 3 Receivers, Ports R, A, and B (Option 300)

This option provides one receiver (Port A). This option cannot be used with options 100, 200, 400, and 600. This option cannot be used with HP E5100B.

#### 4 Receivers, Ports R, A, B, and C (Option 400)

This option provides four receivers (Ports R, A, B, and C). This option cannot be used with options 100, 200, 300, and 600. This option cannot be used with HP E5100B.

#### One RF OUT Port (Option 001)

This option provides one RF OUT port. This option cannot be used with options 002, 003, and 600)

#### Two RF OUT Ports, Built-in Power Splitter (Option 002)

This option provides two RF OUT ports whose output signals are divided by a built-in power splitter. This option cannot be used with options 002, 003, and 600)

### **Two RF OUT Ports, Switched Single Output (Option 003)**

This option provides two RF OUT ports. The two outputs are switched. This option cannot be used with options 001, 002, 101, 301, and 600. This option cannot be used with HP E5100B.

### **50/1M $\Omega$ Selectable Input on Port A (Option 101)**

This option provides the selectable input for port A. The input impedance is selectable, 50  $\Omega$  or 1 M $\Omega$ . This option is for options 100 and 200 only and cannot be used with option 003.

### **Type-N Input Connector on Port A (Option 102)**

This option changes port A to a type-N connector and provides probe power output for port A to use with an active probe and a high input impedance adapter. This option is for options 100 and 200 only.

### **50/1M $\Omega$ Selectable Inputs on Ports A and B (Option 301)**

This option provides selectable inputs for port A and B. The input impedance is selectable, 50  $\Omega$  or 1 M $\Omega$ . This option is for options 300 and 400 only, and cannot be used with option 003. This option cannot be used with HP E5100B.

### **Type-N Input Connectors on Ports A and B (Option 302)**

This option changes ports A and B to type-N connectors and provides probe power outputs for ports A and B to use with an active probe and a high input impedance adapter. This option is for options 300 and 400 only. This option cannot be used with HP E5100B.

### **Extended Output Power Range (Option 010)**

This option adds the power sweep capability and increases the output power range. This option cannot be used with option 600.

### **High Stability Frequency Reference (Option 1D5)**

This option is a 10 MHz crystal oscillator in a temperature stabilized oven that improves the source signal frequency accuracy and stability.

### **Parallel I/O Mode A (Option 005)**

This option provides an 8-bit output, 4-bit input parallel I/O using a 15-pin HP 8751A compatible connector on the rear panel instead of the standard 24-bit parallel I/O. This option cannot be used with options 006 and 007.

### **Parallel I/O Mode B (Option 006)**

This option provides a 24-bit output, 8-bit input parallel I/O using a 36-pin connector on the rear panel instead of the standard 24-bit parallel I/O. This option cannot be used with options 005 and 007.

### **Opto-Isolated Parallel I/O (Option 007)**

This option provides a 16-bit output, 8-bit input parallel I/O using a 36-pin opto-isolated connector on the rear panel instead of the standard 24-bit parallel I/O. This option cannot be used with options 005 and 006.

### **Evaporation Monitoring Function (Option 022)**

This option controls metal deposition during a deposition process of crystal resonators.

### **Phase Tracking Function (Option 023)**

This option adds the phase tracking function to measures the drive level characteristics of the resonant frequency (Fr) and the resonant impedance (CI) of crystal resonators quickly and precisely. This option cannot be used with HP E5100B.

### **Color LCD Display (Option 030)**

This option changes the monochrome LCD to the color TFT LCD.

### **Delete HP Instrument BASIC (Option UKR)**

This option deletes HP Instrument BASIC. HP Instrument BASIC is a subset of HP BASIC that allows all the analyzer's measurement capabilities and any other HP-IB compatible instrument to be programmed.

### **Add DIN Keyboard (Option 1F0)**

The option adds DIN keyboard for editing HP Instrument BASIC programs on the HP E5100A/B display.

### **Handle Kit (Option 1CN)**

This option is a rack mount kit containing a pair of handles and the necessary hardware to mount the instrument.

### **Rack Mount Kit (1CM)**

This option is a rack mount kit containing a pair of flanges and the necessary hardware to mount the instrument, with handles detached, in an equipment rack with 482.6 mm (19 inches) horizontal spacing.

### **Rack Mount and Handle Kit (Option 1CP)**

This option is a rack mount kit containing a pair of flanges, and the necessary hardware to mount the instrument with handles attached in an equipment rack with 482.6 mm (19 inches) horizontal spacing.

---

## Measurement accessories available

### Active Probes

#### HP 41800A Active Probe (5 Hz to 500 MHz)

This is a high input impedance probe for in-circuit measurements that cover the frequency range of 5 Hz to 500 MHz.

#### HP 41802A 1 M $\Omega$ Input Adapter (5 Hz to 100 MHz)

This adapter allows the use of a high impedance probe. It has a frequency range of 5 Hz to 100 MHz.

### Test Sets

#### HP 87512A Transmission/Reflection Test Set

These test sets contain the hardware required to measure simultaneous transmission and reflection characteristics of a device in one direction only. The test port connector is 50  $\Omega$  type-N(f).

### Power Splitters

#### HP 11850C 50 $\Omega$ Three-way Power Splitters

These are four-port, three-way power splitters. One output arm is used as the reference in making ratio measurements and the other two output arms are test channels. The HP 11850C has a frequency range of DC to 3 GHz and an impedance of 50  $\Omega$ .

### Calibration Kits

The following calibration kits contain the precision standards (and the required adapters) for the indicated connector types. The standards facilitate measurement calibration (also called vector error correction). Refer to the applicable data sheet and ordering guide for additional information. Part numbers for the standards are in their respective manuals.

- HP 85033C 3.5 mm Calibration Kit
- HP 85031B 7 mm Calibration Kit
- HP 85032B 50  $\Omega$  Type-N Calibration Kit
- HP 85036B 75  $\Omega$  Type-N Calibration Kit

### Cables

The following RF cables are used to return the transmitted signal to the test set when measuring two-port devices. These cables provide shielding for high dynamic range measurements.

#### HP 11851B 50 $\Omega$ Type-N RF Cable Set

This kit contains the three phase-matched 50  $\Omega$  type-N cables necessary to connect the HP 87512A/B transmission/reflection test kits or a power splitter to the analyzer. It also contains an RF cable used to return the transmitted signal of a two-port device to the network analyzer.

## Adapters

### HP 11852B 50 $\Omega$ to 75 $\Omega$ Minimum Loss Pad (DC to 2 GHz)

This device converts the impedance from 50  $\Omega$  (type-N, female) to 75  $\Omega$  (type-N, male) or from 75  $\Omega$  to 50  $\Omega$ . It provides a low SWR impedance match between a 75  $\Omega$  DUT and the analyzer or a 50  $\Omega$  measurement accessory. An HP 11852B pad is included with the HP 87512B 75  $\Omega$  transmission/reflection test kit. Three HP 11852B pads are included with the HP 11850D 75  $\Omega$  power splitter.

### Adapter Kits

The following adapter kits contain the connection hardware required for making measurements on devices of the indicated connector type.

- HP 11853A 50  $\Omega$  Type-N Adapter Kit
- HP 11854A 50  $\Omega$  BNC Adapter Kit

---

## System Accessories Available

### System rack

The HP 85043B system rack is a 124 cm (49 inch) high metal cabinet designed to rack mount the analyzer in a system configuration. The rack is used with a large built-in work surface, a drawer for calibration kits and other hardware, a bookshelf for system manuals, and a locking rear door for secured access. Lightweight steel rails support the instrument along their entire depth. Heavy-duty casters make the cabinet easily movable even with the instruments in place. Screw-down lock feet permit leveling and semi-permanent installation. The cabinet is extremely stable when the lock feet are down. Power is supplied to the cabinet through a heavy-duty grounded primary power cable and to the individual instruments through special power cables included with the cabinet.

### Printer

The analyzer is capable of the monochrome printing of displayed measurement results directly to a compatible peripheral. The compatible printers are:

- HP DeskJet 560C (HP C2168A) Printer
- HP DeskJet 1200C (HP C1676A) Printer

### Centronics Cable

A Centronics cable is required to interface the analyzer with a printer. The following cable is available:

- HP 92284A Centronics Cable, 2.1 m

## **HP-IB Cable**

An HP-IB cable is required to interface the analyzer with a computer or other external instruments. The following cables are available:

- HP 10833A (1 m)
- HP 10833B (2 m)
- HP 10833C (4 m)
- HP 10833D (0.5 m)

## **External monitor**

The analyzer can drive both its internal LCD and an external monitor simultaneously. One recommended color monitor is the HP 35741A/B. A monochrome monitor, such as the HP 35731A/B, can also be used if the analyzer is operated in the monochrome mode.

## **Flexible Disks**

Recommended Hewlett-Packard disks are listed below.

- HP 92192A Box of 10 3.5 inch, 720 k byte micro flexible disks
- HP 92192X Box of 10 3.5 inch, 1.44M byte micro flexible disks

## Instrument Specifications

These specifications are the performance standards or limits against which the instrument is tested. When shipped from the factory, the E5100A/B meets the specifications listed in this section. The specification test procedures are contained in the *E5100A/B Service Manual*.

Values followed by (SPC) are Supplemental Performance Characteristics.

### Source

#### Frequency Characteristics

|  |   |
|--|---|
| <b>Range</b> .....   | 10 kHz to 300 MHz                       |
| <b>Accuracy</b> (at $23 \pm 5^\circ\text{C}$ , step sweep)                     |   |
| .....  | $\pm 20$ ppm                            |
| with option 1D5 (at 0 to $55^\circ\text{C}$ , 20 minutes after power on) ..... | $\pm 1$ ppm                             |
| <b>Stability</b> (at $23 \pm 5^\circ\text{C}$ )                                |   |
| .....  | $\pm 5 \times 10^{-6}/\text{day}$ (SPC) |
| with option 1D5 (48 hours after power on) .....                                | $\pm 2.5 \times 10^{-9}/8$ hours (SPC)  |
| <b>Resolution</b> .....  | 1 MHz                                   |

#### Output Power Characteristics

(measured at RF OUT 1, RF OUT 2 is terminated with  $50 \Omega$  termination)

|  |                      |
|--|----------------------|
| <b>Range</b> (Nominal)   |                      |
| with option 001 .....  | -9 dBm to +11 dBm    |
| with option 002 .....  | -15 dBm to +5 dBm    |
| with option 003 .....  | -12 dBm to +8 dBm    |
| with both option 001 and 010 .....   | -48 dBm to +22 dBm   |
| with both option 002 and 010 .....   | -54 dBm to +16 dBm   |
| with both option 003 and 010 .....   | -51 dBm to +19 dBm   |
| with option 600 (at RF OUT 1) .....  | -52 dBm to +18 dBm   |
| with option 600 (at RF OUT 2) .....  | -65 dBm to +5 dBm    |
| <b>Resolution</b> .....  | 0.1 dB               |
| <b>Level Accuracy</b> (at $23 \pm 5^\circ\text{C}$ , 0 dBm output level, 50 MHz) .....   | $\pm 1$ dB           |
| <b>Flatness</b> (at $23 \pm 5^\circ\text{C}$ , relative to 0 dBm output level at 50 MHz) |                      |
| .....  | +2 dB, -4 dB         |
| with option 003 and without option 010 .....   | +2.5 dB, -4.5 dB     |
| with option 010  |                      |
| 10 kHz $\leq$ freq. < 50 kHz .....   | +1.5 dB, -6 dB (SPC) |

|                                 |                      |
|---------------------------------|----------------------|
| 50 kHz ≤ freq. ≤ 100 MHz .....  | +2.5 dB, -4.5 dB     |
| 100 MHz < freq. ≤ 300 MHz ..... | +3 dB, -5 dB         |
| with option 600                 |                      |
| 10 kHz ≤ freq. < 50 kHz .....   | +1.5 dB, -7 dB (SPC) |
| 50 kHz ≤ freq. ≤ 100 MHz .....  | +2.5 dB, -4.5 dB     |
| 100 MHz < freq. ≤ 300 MHz ..... | +3 dB, -5 dB         |

**Linearity** (at 23 ±5°C, relative to 0 dBm output level at 50 MHz)

|  |         |
|--|---------|
| .....  | ±1 dB   |
| with option 010  |         |
| maximum power level -70 dB ≤ power level < maximum power level -60 dB .. | ±1.5 dB |
| maximum power level -60 dB ≤ power level ≤ maximum power level .....     | ±1 dB   |

**Power Splitter**

(When the analyzer is equipped with option 001 or 003, delete this section.)

**Insertion Loss** (When the analyzer is equipped with option 600, delete this item.)

|       |                |
|-------|----------------|
| ..... | 6 dB (nominal) |
|-------|----------------|

**Output Tracking**

|                                 |                    |
|---------------------------------|--------------------|
| without option 600              |                    |
| 10 kHz ≤ freq. ≤ 100 MHz .....  | 0.1 dB (SPC)       |
| 100 MHz < freq. ≤ 300 MHz ..... | 0.2 dB (SPC)       |
| with option 600                 |                    |
| 10 kHz ≤ freq. ≤ 100 MHz .....  | 13 dB±0.3 dB (SPC) |
| 100 MHz < freq. ≤ 300 MHz ..... | 13 dB±0.5 dB (SPC) |

**Equivalent Output SWR**

|                                 |            |
|---------------------------------|------------|
| without option 600              |            |
| 10 kHz ≤ freq. < 100 MHz .....  | ≤1.2 (SPC) |
| 100 MHz ≤ freq. ≤ 300 MHz ..... | ≤1.4 (SPC) |
| with option 600                 |            |
| 10 kHz ≤ freq. < 50 kHz .....   | ≤2.5 (SPC) |
| 50 kHz ≤ freq. ≤ 100 MHz .....  | ≤1.2 (SPC) |
| 100 MHz < freq. ≤ 300 MHz ..... | ≤1.4 (SPC) |

**Spectral Purity Characteristics**

**Harmonics** (these are supplemental performance characteristics for the HP 5100B)

|  |           |
|--|-----------|
| with option 001 (at -4 dBm output level) .....               | < -35 dBc |
| with option 002 (at -10 dBm output level) .....              | < -35 dBc |
| with option 003 (at -7 dBm output level) .....               | < -35 dBc |
| with option 600 (at +15 dBm output level) .....              | < -20 dBc |
| with both option 001 and 010 (at +21 dBm output level) ..... | < -20 dBc |
| with both option 002 and 010 (at +15 dBm output level) ..... | < -20 dBc |
| with both option 003 and 010 (at +18 dBm output level) ..... | < -20 dBc |

**Non-harmonic Spurious Signals** (at < 300 MHz)

|   |           |
|---|-----------|
| with option 001 (at -4 dBm output level) .....              | < -45 dBc |
| with option 002 (at -10 dBm output level) .....             | < -45 dBc |
| with option 003 (at -7 dBm output level) .....              | < -45 dBc |
| with option 600 (at 0 dBm output level) .....               | < -45 dBc |
| with both option 001 and 010 (at +6 dBm output level) ..... | < -45 dBc |



with both option 002 and 010 (at 0 dBm output level) ..... < -45 dBc  
 with both option 003 and 010 (at +3 dBm output level) ..... < -45 dBc  
**Phase Noise** (at 10 kHz offset from 0 dBm fundamental) ..... < -90 dBc/Hz

**Other Source Information**

**Reverse Power Protection** ..... 20 dBm, 25 Vdc (SPC)  
**Output Connector** ..... BNC female  
**Output Impedance** ..... 50 Ω (nominal)

**Receiver**

**Input Characteristics**

**Frequency Range**

..... 10 kHz to 300 MHz  
 1 MΩ input for option 101 or 301 ..... 10 kHz to 5 MHz

**IF Bandwidth (IF BW)** ..... 10 Hz to 30 kHz, 1, 1.5, 2, 3, 4, 5, 8 step (nominal)

**Impedance**

..... 50 Ω (nominal)  
 1 MΩ input for option 101 or 301 ..... 1 MΩ // 30 pF (nominal)

**Return Loss** (at 50 Ω input)

10 kHz ≤ freq. < 100 MHz ..... 20 dB (SPC)  
 100 MHz ≤ freq. ≤ 300 MHz ..... 15 dB (SPC)

**Maximum Input Level**

50 Ω Input

| Frequency                 | RF attenuator | Maximum Input Level |
|---------------------------|---------------|---------------------|
| 10 kHz ≤ freq. < 200 kHz  | 25 dB         | 0 dBm               |
| 10 kHz ≤ freq. < 200 kHz  | 0 dB          | -25 dBm             |
| 200 kHz ≤ freq. ≤ 300 MHz | 25 dB         | +5 dBm              |
| 200 kHz ≤ freq. < 300 MHz | 0 dB          | -20 dBm             |

1 MΩ Input for option 102 or 302

| Frequency <sup>1</sup>    | RF attenuator | Maximum Input Level |
|---------------------------|---------------|---------------------|
| 10 kHz ≤ freq. < 200 kHz  | 25 dB         | 0.22 Vrms           |
| 10 kHz ≤ freq. < 200 kHz  | 0 dB          | 0.013 Vrms          |
| 200 kHz ≤ freq. ≤ 300 MHz | 25 dB         | 0.40 Vrms           |
| 200 kHz ≤ freq. < 300 MHz | 0 dB          | 0.022 Vrms          |

<sup>1</sup> Measurement Frequency ≤ 5 MHz)

**Damage Level**

|          |        |
|----------|--------|
| DC ..... | 25 Vdc |
| AC ..... | 20 dBm |

**Averaging Noise Level** (at magnitude measurement,  $23 \pm 5^\circ\text{C}$ , RF attenuator: 0 dB, 50  $\Omega$  input)

|   |          |
|---|----------|
| ■ E5100A                                  |          |
| IF BW 30 kHz (at > 1 MHz) .....           | -100 dBm |
| IF BW 10 kHz (at > 300 kHz) .....         | -105 dBm |
| IF BW 3 kHz (at > 100 kHz) .....          | -110 dBm |
| IF BW 1 kHz                               |          |
| 30 kHz $\leq$ freq. < 100 kHz .....       | -95 dBm  |
| 100 kHz $\leq$ freq. $\leq$ 300 MHz ..... | -115 dBm |
| IF BW 300 Hz                              |          |
| 10 kHz $\leq$ freq. < 100 kHz .....       | -100 dBm |
| 100 kHz $\leq$ freq. $\leq$ 300 MHz ..... | -120 dBm |
| IF BW 100 Hz                              |          |
| 10 kHz $\leq$ freq. < 100 kHz .....       | -105 dBm |
| 100 kHz $\leq$ freq. $\leq$ 300 MHz ..... | -125 dBm |
| ■ E5100B                                  |          |
| IF BW 30 kHz (at > 1 MHz) .....           | -100 dBm |
| IF BW 10 kHz (at > 300 kHz) .....         | -105 dBm |
| IF BW 3 kHz (at > 100 kHz) .....          | -110 dBm |
| IF BW 1 kHz                               |          |
| 30 kHz $\leq$ freq. < 100 kHz .....       | -95 dBm  |
| 100 kHz $\leq$ freq. $\leq$ 300 MHz ..... | -115 dBm |

■ When the analyzer frequency is identical to the transmitted interference signal frequency, refer to "EMC" in "General Characteristics".

**Input Crosstalk** (When the analyzer is equipped with option 100, delete this section.)

reference input (0 dBm input level at 10 kHz to 200 kHz and +5 dBm input level at 200 kHz to 300 MHz, RF attenuator: 25 dB, 50  $\Omega$  input)  
test input (RF attenuator: 0 dB, terminated with 50  $\Omega$  termination)

|   |           |
|---|-----------|
| ■ E5100A                                  |           |
| 10 kHz $\leq$ freq. < 100 kHz .....       | < -110 dB |
| 100 kHz $\leq$ freq. $\leq$ 300 MHz ..... | < -120 dB |
| ■ E5100B                                  |           |
| 10 kHz $\leq$ freq. < 100 kHz .....       | < -85 dB  |
| 100 kHz $\leq$ freq. < 250 MHz .....      | < -105 dB |
| 250 MHz $\leq$ freq. $\leq$ 300 MHz ..... | < -95 dB  |

**Source Crosstalk**

(all RF OUT and input connectors are terminated with 50  $\Omega$  terminations)

|   |                |
|---|----------------|
| ■ E5100A  |                |
| without option 010 (at +5 dBm output level, RF attenuator: 0 dB, 50 $\Omega$ input) |                |
| 10 kHz $\leq$ freq. < 100 kHz .....   | < -110 dB(SPC) |
| 100 kHz $\leq$ freq. < 250 MHz .....  | < -125 dB(SPC) |
| 250 MHz $\leq$ freq. $\leq$ 300 MHz .....   | < -120 dB(SPC) |
| with option 010 (at +16 dBm output level, RF attenuator: 0 dB, 50 $\Omega$ input)   |                |
| 10 kHz $\leq$ freq. < 100 kHz .....   | < -120 dB(SPC) |
| 100 kHz $\leq$ freq. < 250 MHz .....  | < -135 dB(SPC) |
| 250 MHz $\leq$ freq. $\leq$ 300 MHz .....   | < -130 dB(SPC) |
| ■ E5100B  |                |

|  |                |
|--|----------------|
| without option 010 (at +5 dBm output level, RF attenuator: 0 dB, 50 Ω input) |                |
| 10 kHz ≤ freq. < 100 kHz   | < -85 dB(SPC)  |
| 100 kHz ≤ freq. < 250 MHz  | < -100 dB(SPC) |
| 250 MHz ≤ freq. ≤ 300 MHz  | < -95 dB(SPC)  |
| with option 010 (at +16 dBm output level, RF attenuator: 0 dB, 50 Ω input)   |                |
| 10 kHz ≤ freq. < 100 kHz   | < -95 dB(SPC)  |
| 100 kHz ≤ freq. < 250 MHz  | < -110 dB(SPC) |
| 250 MHz ≤ freq. ≤ 300 MHz  | < -105 dB(SPC) |

**Residual Response** (RF attenuator: 0 dB, except for the following points) ..... < -80 dBm  
 50 kHz, 100 kHz, 95.825 MHz, 95.875 MHz, 159.791667 MHz, 159.825 MHz, 159.841667 MHz, 159.875 MHz, 239.75 MHz, and 239.875 MHz

**Input Connector**

..... BNC female  
 with option 102 or 302 ..... BNC female, Type-N female (for A, B inputs)

**Measurement Mode**

with option 100 ..... A  
 with option 200 or 600 ..... A/R, A/R, R, A  
 with option 300 ..... A/R, B/R, R/A, B/A, R/B, A/B, R, A, B  
 with option 400 ..... A/R, B/R, C/R, R/A, B/A, C/A, R/B, A/B, C/B, R/C, A/C, B/C, R, A, B, C

(When the Measurement Mode is either R/A, B/A, C/A, R/B, A/B, C/B, R/C, or A/C, the specification is SPC.)

**Magnitude Characteristics**

**Absolute Characteristics**

**Absolute Amplitude Accuracy**

(at 23 ±5°C, -30 dBm input level for RF attenuator: 0 dB or -5 dBm input level for RF attenuator: 25 dB, 50 Ω input)

|        |                   |
|--------|-------------------|
| E5100A | ..... ±1 dB       |
| E5100B | ..... ±2 dB (SPC) |

**Ratio Characteristics**

**Frequency Response**

(at 23 ± 5°C, -30 dBm input level for RF attenuator: 0 dB or -5 dBm input level for RF attenuator: 25 dB, the same RF attenuator setting for both inputs)

50 Ω input

- E5100A
  - 10 kHz ≤ freq. < 100 kHz ..... ±1 dB
  - 100 kHz ≤ freq. ≤ 100 MHz ..... ±0.5 dB
  - 100 MHz < freq. ≤ 300 MHz ..... ±1 dB
- E5100B
  - 100 kHz ≤ freq. < 100 kHz ..... ±2 dB (SPC)
  - 100 kHz ≤ freq. ≤ 100 MHz ..... ±1 dB (SPC)
  - 100 MHz < freq. ≤ 300 MHz ..... ±2 dB (SPC)

1 MΩ input for option 101 or 301

(using 50 Ω feedthrough) ..... ±3 dB

**Note**

Frequency response can be improved by calibration.



**Dynamic Accuracy**

(at 23 ±5°C, 10 Hz IF BW, -10 dBm reference input level relative to maximum input level, -20 dBm test input level relative to maximum input level, except for ramp frequency sweep)

| Test Channel Input Level<br>RF Attenuator |                             | Dynamic Accuracy<br>Frequency |                  |
|---|-----------------------------|-------------------------------|------------------|
| 25 dB                                     | 0 dB                        | Other                         | 10 kHz to 50 kHz |
| +5 to -5 dBm <sup>1</sup>                 | -20 to -30 dBm <sup>2</sup> | ±0.4 dB                       | ±0.4 dB (SPC)    |
| -5 to -15 dBm                             | -30 to -40 dBm              | ±0.09 dB                      | ±0.09 dB (SPC)   |
| -15 to -45 dBm                            | -40 to -70 dBm              | ±0.05 dB                      | ±0.05 dB (SPC)   |
| -45 to -55 dBm                            | -70 to -80 dBm              | ±0.06 dB                      | ±0.1 dB (SPC)    |
| -55 to -65 dBm                            | -80 to -90 dBm              | ±0.1 dB                       | ±0.3 dB (SPC)    |
| -65 to -75 dBm                            | -90 to -100 dBm             | ±0.3 dB                       | ±0.9 dB (SPC)    |
| -75 to -85 dBm                            | -100 to -110 dBm            | ±0.9 dB                       | ±3 dB (SPC)      |
| -85 to -95 dBm                            | -110 to -120 dBm            | ±3 dB                         | N/A              |

1 0 to -5 dBm at 10 kHz to 200 kHz

2 -25 to -30 dBm at 10 kHz to 200 kHz

with option 100

(at 23 ±5°C, 10 Hz IF BW, -20 dB input-A level relative to maximum input level, except for ramp frequency sweep, right after measuring reference)

| Test Channel Input Level<br>RF Attenuator |                             | Dynamic Accuracy<br>Frequency |                  |
|---|-----------------------------|-------------------------------|------------------|
| 25 dB                                     | 0 dB                        | Other                         | 10 kHz to 50 kHz |
| +5 to -5 dBm <sup>1</sup>                 | -20 to -30 dBm <sup>2</sup> | ±0.4 dB                       | ±0.4 dB (SPC)    |
| -5 to -45 dBm                             | -30 to -70 dBm              | ±0.1 dB                       | ±0.1 dB (SPC)    |
| -45 to -55 dBm                            | -70 to -80 dBm              | ±0.1 dB                       | ±0.2 dB (SPC)    |
| -55 to -65 dBm                            | -80 to -90 dBm              | ±0.2 dB                       | ±0.6 dB (SPC)    |
| -65 to -75 dBm                            | -90 to -100 dBm             | ±0.6 dB                       | ±1.8 dB (SPC)    |

1 0 to -5 dBm at 10 kHz to 200 kHz

2 -25 to -30 dBm at 10 kHz to 200 kHz

**Trace Noise**

(at 1 kHz IF BW, frequency > 305 kHz, -5 dBm input level for RF attenuator: 25 dB or -30 dBm input level for RF attenuator: 0 dB) ..... < 10 mdB rms

**Stability**

..... 0.02 dB/°C (SPC)  
 with option 100  
 (at 23±5 °) ..... 0.05 dB/°C (SPC)

**Phase Characteristics**

(When the analyzer is equipped with option 100, delete this section.)

**Measurement Mode** ..... Normal/Expanded

**Frequency Response**

(at 23 ± 5°C, -30 dBm input level for RF attenuator: 0 dB or -5 dBm input level for RF attenuator: 25 dB, the same RF attenuator setting for both inputs, 50 Ω input)

- E5100A
  - 10 kHz ≤ freq. < 100 kHz ..... ±5°
  - 100 kHz ≤ freq. ≤ 100 MHz ..... ±2.5°
  - 100 MHz < freq. ≤ 300 MHz ..... ±5°
- E5100B
  - 100 kHz ≤ freq. < 100 kHz ..... ±10° (SPC)
  - 100 kHz ≤ freq. ≤ 100 MHz ..... ±5° (SPC)
  - 100 MHz < freq. ≤ 300 MHz ..... ±10° (SPC)

**Note** This frequency response is only for the deviation from linear phase. Frequency response can be improved by calibration.

**Dynamic Accuracy**

(at 23 ± 5°C, 10 Hz IF BW, -10 dBm reference input level relative to maximum input level, -20 dBm test input level relative to maximum input level, except for ramp frequency sweep)

| Test Channel Input Level<br>RF Attenuator |                             | Dynamic Accuracy<br>Frequency |                  |
|---|-----------------------------|-------------------------------|------------------|
| 25 dB                                     | 0 dB                        | Other                         | 10 kHz to 50 kHz |
| +5 to -5 dBm <sup>1</sup>                 | -20 to -30 dBm <sup>2</sup> | ±3°                           | ±3° (SPC)        |
| -5 to -15 dBm                             | -30 to -40 dBm              | ±0.6°                         | ±0.6° (SPC)      |
| -15 to -45 dBm                            | -40 to -70 dBm              | ±0.3°                         | ±0.3° (SPC)      |
| -45 to -55 dBm                            | -70 to -80 dBm              | ±0.3°                         | ±0.6° (SPC)      |
| -55 to -65 dBm                            | -80 to -90 dBm              | ±0.6°                         | ±1.8° (SPC)      |
| -65 to -75 dBm                            | -90 to -100 dBm             | ±1.8°                         | ±6° (SPC)        |
| -75 to -85 dBm                            | -100 to -110 dBm            | ±6°                           | ±18° (SPC)       |
| -85 to -95 dBm                            | -110 to -120 dBm            | ±18°                          | N/A              |

1 0 to -5 dBm at 10 kHz to 200 kHz

2 -25 to -30 dBm at 10 kHz to 200 kHz

**Trace Noise**

(at 1 kHz IF BW, frequency > 305 kHz, -5 dBm input level for RF attenuator: 25 dB or -30 dBm input level for RF attenuator: 0 dB) ..... < 50 mdeg rms

**Stability** ..... 0.15 deg/°C (SPC)

## Delay Characteristics

**Aperture Frequency** .....  $\frac{200}{N-1}$  % to 100% of span, where N is Number of Points

**Accuracy** (at 23 ±5°C, SPC)

In general, the following formula can be used to determine the accuracy, in seconds, of a specific group delay measurement:

$$\frac{\text{Phase Accuracy [deg]}}{360[\text{deg}] \times \text{Aperture [Hz]}} (\text{sec})$$

Depending on the aperture, input level, and device length, the phase accuracy used in either incremental phase accuracy or worst case phase accuracy.

---

## General Characteristics

### Operating Conditions

When disk drive is in operation

Temperature ..... 10 to 40 °C

Humidity (at wet bulb ≤ 29°C, without condensation) ..... 15% ≤ RH ≤ 80%

When disk drive is not in operation

Temperature ..... 5 to 40 °C

Humidity (at wet bulb ≤ 29°C, without condensation) ..... 15% ≤ RH ≤ 80%

Altitude ..... 0 to 2,000 meters

Warm Up Time ..... 30 minutes

### Non-operating Conditions

Temperature ..... -20 to 60 °C

Humidity (at wet bulb ≤ 40°C, without condensation) ..... 15 % ≤ RH ≤ 90 %

Altitude ..... 0 to 4,572 meters

**Safety** ..... Certified by CSA-C22.2 No. 231-M89, Complies with IEC 1010-1(1990) including Amendment 1 (1992)

**EMC** ..... Complies with CISPR 11 (1990)/EN 55011(1991): Group 1, Class A

Complies with IEC 801-2 (1991)/EN 50082-1(1992): 4 kV CD, 8 kV AD

Complies with IEC 801-3 (1984)/EN 50082-1(1992): 3 V/m

Complies with IEC 801-4 (1988)/EN 50082-1(1992): 1 kV power lines, 0.5 kV signal lines

Note: When tested at 3 V/m according to IEC 801-3/1984, the averaging noise level will be within specifications over the full immunity test frequency range of 27 MHz to 1000 MHz except when the analyzer frequency is identical to the transmitted interference signal test frequency.

**Power Requirement** ..... 90 to 132 V or 198 to 264 V, 47 to 63 Hz, 400 VA max

**Weight** (depending on option) ..... 12 kg (SPC)

**Cabinet Dimensions** ..... 425(W) × 177(H) × 425(D) mm (SPC)

## Supplemental Characteristics

### Measurement Function

|                                |                           |
|--------------------------------|---------------------------|
| Number of Measurement Channels | 1 to 4                    |
| Display Format                 | Cartesian                 |
| Sweep Parameter                | frequency, power          |
| Sweep Type                     |                           |
| E5100A                         | linear (step, ramp), list |
| E5100B                         | linear (step, ramp)       |
| Measurement Point per Sweep    |                           |
| E5100A                         | 2 to 801                  |
| E5100B                         | 2 to 401                  |

### Others

|                               |   |
|-------------------------------|---|
| Measurement Calibration       | Response, Response & Isolation, 1-Port 3-term                         |
| Display                       | 6.3 inch monochrome LCD, 640×480 dots                                 |
| Flexible Disk Drive           | 720 Kbytes/1.2 Mbytes/1.44 Mbytes, DOS format, binary or ASCII format |
| Flash Disk                    | 256 Kbytes  |
| Ram Disk                      | 256 Kbytes  |
| Programming                   | HP Instrument BASIC   |
| HP-IB                         | ANSI/IEEE 488.2 compatible.   |
| Parallel I/O Port             |   |
| .....                         | 16 bit output, 8 bit input/output, TTL level                          |
| option 005                    | 8 bit output, 4 bit input, TTL level                                  |
| option 006                    | 16 bit output, 8 bit input/output, TTL level                          |
| option 007                    | 16 bit output, 8 bit input, open collector, opto-isolated             |
| Printer                       | Parallel I/F (Centronics compatible), HP PCL                          |
| Keyboard                      | DIN (IBM PC compatible)   |
| External Video Monitor Output | VGA   |

### Connectors

|             |   |
|-------------|---|
| Probe Power | +15 V(300 mA max.), -12.6 V(160 mA max.), GND nominal                 |
|             | (the maximum current values are total values of each probe connector) |

#### EXT REF INPUT 10 MHz

|                   |                |
|-------------------|----------------|
| Frequency         | 10 MHz ±5 ppm  |
| Amplitude         | 0 ±5 dBm (SPC) |
| Nominal Impedance | 50 Ω           |

#### REF OVEN (OPTION 1D5)

|  |                  |
|--|------------------|
| Frequency (at 0 to 55 °C, 20 minutes after power ON) | 10 MHz ± 1.0 ppm |
| Amplitude  | 2 ±5 dBm (SPC)   |

Nominal Impedance .....50  $\Omega$

**INT REF OUTPUT**

Frequency (at 23 $\pm$ 5  $^{\circ}$ C)..... 10 MHz  $\pm$ 20 ppm  
 Amplitude ..... 0  $\pm$ 5 dBm (SPC)  
 Nominal Impedance .....50  $\Omega$

**EXT TRIGGER and EXT PROG RUN/CONT**

(Positive edge trigger)

$V_{ih}$  ..... +2 V to +5 V (SPC)  
 $V_{il}$  ..... 0 V to +0.5 V (SPC)  
 Sink current ( $I_s$ ) .....  $I_s \leq 0.4$  mA (SPC)  
 Pulse width ( $T_p$ ) .....  $T_p \geq 20$   $\mu$ sec (SPC)

**Furnished Accessories**

| Accessory                | HP part number | Accessory                                 | HP part number |
|--------------------------|----------------|---|----------------|
| Function Reference       | E5100-90040    | HP Instrument BASIC Handbook <sup>2</sup> | E2083-90005    |
| User's Guide             | E5100-90031    | HP Instrument BASIC Handbook              | E5100-90015    |
| Programming Manual       | E5100-90057    | Manual Supplement <sup>2</sup>            |                |
| Sample Program Disk      | E5100-61001    | DIN Keyboard <sup>3</sup>                 | C3757-60401    |
| BNC Adapter <sup>1</sup> | 1250-1859      |   |                |

1 Only option 1D5.

2 Option UKR, delete this item.

3 Only option 1F0



## A

## Manual Changes

---

### Introduction

This appendix contains the information required to adapt this manual to earlier versions or configurations of the HP E5100A/B than the current printing date of this manual. The information in this manual applies directly to the HP E5100A/B Network Analyzer serial number prefix listed on the title page of this manual.

### Manual Changes

To adapt this manual to your HP E5100A/B, see Table A-1 and Table A-2, and make all of the manual changes listed opposite your instrument's serial number and firmware version.

Instruments manufactured after the printing of this manual may be different than those documented in this manual. Later instrument versions will be documented in a manual changes supplement that will accompany the manual shipped with that instrument. If your instrument's serial number is not listed on the title page of this manual or in Table A-1, it may be documented in a *yellow MANUAL CHANGES* supplement.

Turn on the instrument or execute the "\*IDN?" HP-IB command to confirm the firmware version. See the *HP-IB Command Reference* for information on the "\*IDN?" command.

**Table A-1. Manual Changes by Serial Number**

| Serial Prefix or Number | Make Manual Changes |
|-------------------------|---------------------|
| JP1KC                   | Change 1            |
| JP2KC,JP3KC,JP4KC,JP5KC | none                |

**Table A-2. Manual Changes by Firmware Version**

| Version        | Make Manual Changes |
|----------------|---------------------|
| REV 1.xx       | Change 1            |
| REV.2.xx, 3.xx | none                |

## Serial Number

Hewlett-Packard uses a two-part, ten-character serial number that is stamped on the serial number plate (see Figure A-1) attached to the rear panel. The first five characters are the serial prefix and the last five digits are the suffix.

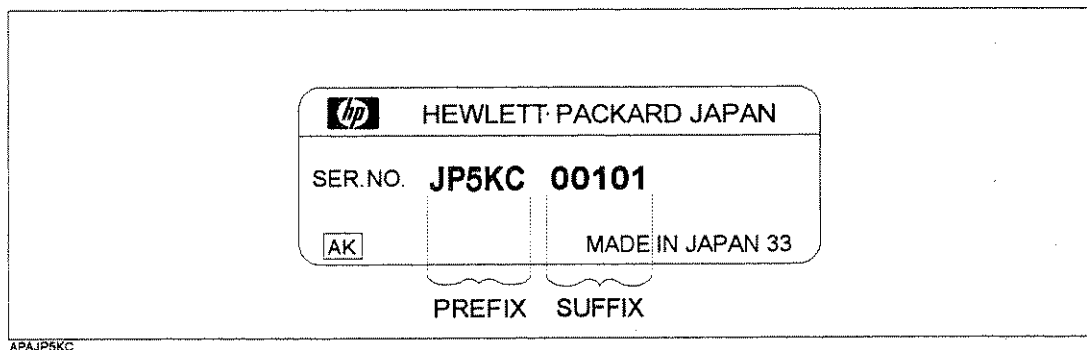


Figure A-1. Serial Number Plate

---

## Change 1

The firmware revision 1.xx does not support the following softkeys.

- **Display** **Start** **Stop** **Center** **Span**

MARKER -> REFERENCE

- **Marker**

MKR TIME on OFF

- **Save/Recall**

MISC. SAVE

SAVE GRAPHICS

GRAPH [ ]

SAVE MENU3

- **Menu2**

USER CI [  $\Omega$  ]

SRC UNIT [ ]

PI CIRCUIT on OFF

The firmware rev 1.xx does not support the following functions.

- User define softkey menu of **Menu3**
- 1601 measurement points



## Default

### Preset State

When the **PRESET** key is pressed, or the analyzer is turned on, the analyzer reverts to a known state. There are subtle differences between the preset state and the power-up state, and these states are defined in Table B-1 to Table B-4.

When line power is cycled the analyzer performs a self-test routine. Upon successful completion of the self-test routine, the instrument state is set to the following preset conditions. The same conditions are true following a "PRES" or "\*RST" command over the HP-IB bus.

**Table B-1. Preset Conditions**

| Operating Parameter        | Initialization Method        |                              |
|----------------------------|------------------------------|------------------------------|
|                            | Power-On                     | <b>PRESET</b> key            |
| <b>Stimulus Conditions</b> |                              |                              |
| Sweep Type                 | Linear frequency             | Linear Frequency             |
| Display Mode               | Start/Stop                   | Start/Stop                   |
| Trigger Type               | Continuous                   | Continuous                   |
| Trigger Event              | Internal                     | Internal                     |
| Sweep Time                 | 0.06432 ms                   | 0.06432 ms                   |
| Start Frequency            | 10 kHz                       | 10 kHz                       |
| Stop Frequency             | 300 MHz                      | 300 MHz                      |
| Source Power               | 0 dBm                        | 0 dBm                        |
| CW Frequency               | 150.005 MHz                  | 150.005 Hz                   |
| Coupled Channel            | ON                           | ON                           |
| <b>Frequency List</b>      |                              |                              |
| Frequency List             | Empty                        | Empty                        |
| Edit Mode                  | Start/Stop, Number of Points | Start/Stop, Number of Points |

**Table B-2. Preset conditions**

| Operating Parameter        | Initialization Method        |                              |
|----------------------------|------------------------------|------------------------------|
|                            | Power-On                     | <b>PRESET</b> key            |
| <b>Response Conditions</b> |                              |                              |
| Function                   | Gain-Phase                   | Gain-Phase                   |
| Measurement Parameter      | A/R                          | A/R                          |
| Format                     | Log Mag & Phase (all inputs) | Log Mag & Phase (all inputs) |
| Active Channel             | Channel 1                    | Channel 1                    |
| Number of channel          | 2                            | 2                            |
| Display                    | Data                         | Data                         |
| Title                      | Empty                        | Empty                        |
| Multi Channel              | OFF                          | OFF                          |
| Split Display              | ON                           | ON                           |
| Number of Points           | 201                          | 201                          |
| IF Bandwidth               | 30 kHz                       | 30 kHz                       |
| Smoothing Aperture         | 1% Span; OFF                 | 1% Span; OFF                 |
| Group Delay Aperture       | 1% Span                      | 1% Span                      |
| Phase Offset               | 0°                           | 0°                           |
| Electrical Delay           | 0 s                          | 0 s                          |
| Velocity Factor            | 1                            | 1                            |
| Storage                    | OFF                          | OFF                          |
| Graticule                  | ON                           | ON                           |
| <b>Calibration</b>         |                              |                              |
| Correction                 | OFF                          | OFF                          |
| Calibration Type           | None                         | None                         |
| System Impedance           | 50 Ω                         | 50 Ω                         |
| Calibration Kit            |                              |                              |
| Open STD value             |                              |                              |
| Rs                         | backup memory                | same as before preset        |
| Ls                         | backup memory                | same as before preset        |
| Cp                         | backup memory                | same as before preset        |
| Short STD value            |                              |                              |
| Rs                         | backup memory                | same as before preset        |
| Ls                         | backup memory                | same as before preset        |
| Cp                         | backup memory                | same as before preset        |
| Load STD value             |                              |                              |
| Rs                         | backup memory                | same as before preset        |
| Ls                         | backup memory                | same as before preset        |
| Cp                         | backup memory                | same as before preset        |

**Table B-3. Preset conditions**

| Operating Parameter       | Initialization Method |                       |
|---------------------------|-----------------------|-----------------------|
|                           | Power-On              | <b>PRESET</b> key     |
| <b>Markers</b>            |                       |                       |
| Markers 1,2,3,4           | 10 kHz                | 10 kHz                |
| Active Marker             | 1                     | 1                     |
| Reference Marker          | None                  | None                  |
| Marker Mode               | Continuous            | Continuous            |
| Delta Marker Mode         | OFF                   | OFF                   |
| Coupling                  | ON                    | ON                    |
| Marker Search             | OFF                   | OFF                   |
| Marker Target Value       | -3 dB                 | -3 dB                 |
| Marker Width Value        | -3 dB; OFF            | -3 dB; OFF            |
| Marker Tracking           | OFF                   | OFF                   |
| Marker Stimulus Offset    | 0 Hz                  | 0 Hz                  |
| Marker Value Offset       | 0 dB                  | 0 dB                  |
| Marker Statistics         | OFF                   | OFF                   |
| Marker List               | OFF                   | OFF                   |
| <b>System</b>             |                       |                       |
| LCD Contrast              | Backup memory         | same as before preset |
| Color Adjustment          |                       |                       |
| Background (Pen No. = 0)  |                       |                       |
| Red                       | backup memory         | same as before preset |
| Green                     | backup memory         | same as before preset |
| Blue                      | backup memory         | same as before preset |
| Title, Grid (Pen No. = 1) |                       |                       |
| Red                       | backup memory         | same as before preset |
| Green                     | backup memory         | same as before preset |
| Blue                      | backup memory         | same as before preset |
| Main Trace (Pen No. = 2)  |                       |                       |
| Red                       | backup memory         | same as before preset |
| Green                     | backup memory         | same as before preset |
| Blue                      | backup memory         | same as before preset |
| Sub Trace (Pen No. = 3)   |                       |                       |
| Red                       | backup memory         | same as before preset |
| Green                     | backup memory         | same as before preset |
| Blue                      | backup memory         | same as before preset |

B. Default

**Table B-4. Preset conditions**

| Operating Parameter                 | Initialization Method |                       |
|-------------------------------------|-----------------------|-----------------------|
|                                     | Power-On              | <b>PRESET</b> key     |
| <b>System</b>                       |                       |                       |
| HP-IB Addresses                     | backup memory         | same as before preset |
| HP-IB Mode                          | backup memory         | same as before preset |
| <b>Printer</b>                      |                       |                       |
| dpi                                 | backup memory         | same as before preset |
| Upper Margin                        | backup memory         | same as before preset |
| Lower Margin                        | backup memory         | same as before preset |
| <b>Waveform Analysis</b>            |                       |                       |
| Analysis range                      | Full                  | Full                  |
| <b>Parallel I/O</b>                 |                       |                       |
| Direction of Port C and D           | Input                 | same as before preset |
| Positive and Negative Logic Setting | Negative              | same as before preset |
| OUTPUT1 and 2 output level          | High                  | same as before preset |



---

## Factory Setting

The following calibration standard values are saved as the file "CALKDATA" in non-volatile memory (FLASH memory) so that the states are memorized even if the analyzer is turned off. If the file "CALKDATA" is erased, these states is set to the factory setting which is shown in Table B-5.

**Table B-5. Preset conditions**

| Parameter       | Factory Setting |
|-----------------|-----------------|
| Calibration Kit |                 |
| Gain-Phase      |                 |
| Open STD value  |                 |
| Rs              | 100G            |
| Ls              | 0               |
| Cp              | 0               |
| Short STD value |                 |
| Rs              | 0               |
| Ls              | 5n              |
| Cp              | 0               |
| Load STD value  |                 |
| Rs              | 50              |
| Ls              | 0               |
| Cp              | 0               |
| Z:reflection    |                 |
| Open STD value  |                 |
| Rs              | 100G            |
| Ls              | 0               |
| Cp              | 0               |
| Short STD value |                 |
| Rs              | 0               |
| Ls              | 5n              |
| Cp              | 0               |
| Load STD value  |                 |
| Rs              | 50              |
| Ls              | 0               |
| Cp              | 0               |
| Z:transmission  |                 |
| Open STD value  |                 |
| Rs              | 100G            |
| Ls              | 0               |
| Cp              | 0               |
| Short STD value |                 |
| Rs              | 0               |
| Ls              | 5n              |
| Cp              | 0               |
| Load STD value  |                 |
| Rs              | 50              |
| Ls              | 0               |
| Cp              | 0               |

**Note**



When you want to set these states to the factory setting, follow the instruction described below.

1. Press **Save/Recall** **FILE UTILITY**.
2. Toggle **STORE DEV [A:DISK]** to **STORE DEV [B:MEMO]**.

3. Select "CALKDATA" file.
4. Press **PURGE FILE PURGE YES**.
5. Press **BACKUP MEMO DISK** under **Save/Recall**.
6. Turn off and turn on the analyzer.
7. -257 File name not found is displayed after self test.
8. Press **Cal** **MODIFY CAL KIT SAVE STD VALUE**.

The following states are saved as the file "SYS\_DATA" in non-volatile memory (FLASH memory) so that the states are memorized even if the analyzer is turned off. If the file "SYS\_DATA" is erased, these states is set to the factory setting which is shown in Table B-6.

**Table B-6. Preset conditions**

| Parameter                 | Factory Setting  |
|---------------------------|------------------|
| System                    |                  |
| HP-IB Address             | 17               |
| HP-IB mode                | Addressable Only |
| LCD Contrast              | 180              |
| Printer Setup             |                  |
| dpi                       | 100              |
| Upper Margin              | 2.5              |
| Lower Margin              | 0.5              |
| Color Adjustment          |                  |
| Background (Pen No. = 0)  |                  |
| Red                       | 0                |
| Green                     | 0                |
| Blue                      | 0                |
| Title, Grid (Pen No. = 1) |                  |
| Red                       | 0.762            |
| Green                     | 0.762            |
| Blue                      | 0.762            |
| Main Trace (Pen No. = 2)  |                  |
| Red                       | 0.825            |
| Green                     | 0.762            |
| Blue                      | 0                |
| Sub Trace (Pen No. = 3)   |                  |
| Red                       | 0                |
| Green                     | 0.635            |
| Blue                      | 0.825            |

**Note**



When you want to set these states to the factory setting, follow the instruction described below.

1. Press **Save/Recall** **FILE UTILITY**.
2. Toggle **STORE DEV [A:DISK]** to **STORE DEV [B:MEMO]**.
3. Select "SYS\_DATA" file.

4. Press PURGE FILE PURGE YES.
  5. Press BACKUP MEMO DISK under (Save/Recall).
  6. Turn off and turn on the analyzer.
  7. -257 File name not found is displayed after self test.
  8. Press (System) SAVE SYS DATA.
-

# Error Messages

---

This section lists the error messages that are displayed on the analyzer display or transmitted by the instrument over HP-IB. Each error message is accompanied by an explanation, and suggestions are provided to help in solving the problem. Where applicable, references are given to related sections of the Operation and Maintenance manuals.

When displayed, error messages are usually preceded with the word "CAUTION:". That part of the error message has been omitted here for the sake of brevity. Some messages are for information only, and do not indicate an error condition. Two listings are provided: the first is in alphabetical order, and the second in numerical order.

In addition to error messages, instrument status is indicated by status notations on the display. Examples are "!" and "#". Sometimes these appear in conjunction with error messages. A complete listing of status and notations and their meanings is provided in "Front and Rear Panel".

---

## Error Messages in Alphabetical Order

### 152 ADDITIONAL STANDARDS NEEDED

Error correction for the selected calibration class cannot be computed until all the necessary standards have been measured.

### 153 CALIBRATION REQUIRED

No valid calibration coefficients were found when user attempted to turn calibration on.

### 5 CAN'T CHANGE-ANOTHER CONTROLLER ON BUS

The analyzer cannot assume the mode of system controller until the active controller is removed from the bus or relinquishes the bus.

### 55 CAN'T COPY A DIRECTORY

A directory name is selected as a source file. Select a file to be copied before pressing **COPY FILE**.

### -281 CANNOT CREATE PROGRAM

Indicates that an attempt to create a program was unsuccessful. A reason for the failure might include not enough memory.

### -253 CORRUPT MEDIA

A legal program command could not be executed because of corrupt media; for example, a bad disk or wrong format.

-104 **DATA TYPE ERROR**

Improper data type used (for example, string data was expected, but numeric data was received).

-255 **DIRECTORY FULL**

A legal program command could not be executed because the media directory was full.

-257 **FILE NAME ERROR**

A legal program command could not be executed because the file name on the device media was in error; for example, an attempt was made to copy to a duplicate file name.

-256 **FILE NAME NOT FOUND**

A legal program command could not be executed because the file name on the device media was not found; for example, an attempt was made to read or copy a nonexistent file.

-282 **ILLEGAL PROGRAM NAME**

The name used to reference a program was invalid; for example, redefining an existing program deleting a nonexistent program, or in general, referencing a nonexistent program.

-282 **ILLEGAL VARIABLE NAME**

An attempt was made to reference a nonexistent variable in a program.

154 **LIST TABLE EMPTY OR INSUFFICIENT TABLE**

The frequency list is empty. To implement the list frequency mode, make the list table.

126 **LOCAL MAX NOT FOUND**

The maximum peak whose sharpness is defined by the peak define function cannot be found.

127 **LOCAL MIN NOT FOUND**

The minimum peak whose sharpness is defined by the peak define function cannot be found.

-250 **MASS STORAGE ERROR**

A mass storage error occurred. This error message is used when the device cannot detect the more specific errors described for errors -251 through -259.

-254 **MEDIA FULL**

A legal program command could not be executed because the media was full.

-258 **MEDIA PROTECTED**

A legal program command could not be executed because the media was protected; for example, the disk was write-protected.

-251 **MISSING MASS STORAGE**

A legal program command could not be executed because of missing mass storage; for example, attempt to access an external disk drive by using Instrument BASIC.

-252 **MISSING MEDIA**

A legal program command could not be executed because of a missing media; for example, no disk.

-109 **MISSING PARAMETER**

A command with an improper number of parameters received.

129 **NO MARKER DELTA - RANGE NOT SET**

The **SEARCH RNG STORE** softkey requires that delta marker mode be turned ON, with at least two markers displayed.

128 **NO MARKER DELTA - SPAN NOT SET**

The **MARKER → SPAN** softkey requires that delta marker mode be turned ON, with at least two markers displayed.

156 **NO VALID MEMORY TRACE**

If a memory array is to be displayed or otherwise used, a data must first be stored to memory by HP-IB.

56 **NOT A DIRECTORY**

A file name is selected when **CHANGE DIRECTORY** is pressed. Select a directory name before pressing **CHANGE DIRECTORY**.

-321 **OUT OF MEMORY**

An internal operation needed more memory than was available.

145 **OVERLOAD ON INPUT**

The power level at one of the receiver inputs exceeds a certain level greater than the maximum input level.

-108 **PARAMETER NOT ALLOWED**

Too many parameters for the command received.

1 **PRINTER NOT POWERED ON OR DISCONNECTED**

The printer does not respond to control. Verify power to the printer and connection between the analyzer and the printer.

-284 **PROGRAM CURRENTLY RUNNING**

Certain operations dealing with programs may be illegal while the program is running; for example, deleting a running program might not be possible.

**-280 PROGRAM ERROR**

Indicates that a downloaded program-related execution error occurred. This error message should be used when the device cannot detect the more specific errors described for errors -281 through -289. A downloaded program is used to add algorithmic capability to a device. The syntax used in the program and the mechanism for downloading a program is device-specific.

**-286 PROGRAM RUNTIME ERROR**

Runtime error has occurred,

**-285 PROGRAM SYNTAX ERROR**

Indicates that a syntax error appears in a downloaded program. The syntax used when parsing the downloaded program is device-specific.

**-430 QUERY DEADLOCKED**

Input buffer and output buffer are full; cannot continue.

**-400 QUERT ERROR**

Query is improper.

**-410 QUERY INTERRUPTED**

Query is followed by DAB or GET before the response was completed.

**-420 QUERY UNTERMINATED**

Addressed to talk, incomplete program message received.

**115 RECALL: CRC ERROR**

A serious error, for example corrupted data, is detected on recalling a file, and this forced the analyzer to be PRESET.

**116 RECALL: INVALID OPTION ERROR**

The recalled file was saved by the other analyzer which is equipped with the difference option.

**103 SAVE: CRC ERROR**

A serious error, for example physically damaged disk surface, is detected on saving a file. Change the disk.

**-102 SYNTAX ERROR**

Unrecognized command or data type was received.

**155 TOO MANY SEGMENTS OR POINTS**

In list table editor, the total of number of points exceeds 801 so that the new segment can not be made.



-113 **UNDEFINED HEADER**

Undefined header or an unrecognized command was received (operation not allowed).

139 **WRONG I/O PORT DIRECTION**

The direction of I/O port C or D is opposite.



# Index

---

## Special characters

!, 2-5

## 1

1 MΩ input adapter, 9-4  
1-term calibration, 4-21




## 3

3-term calibration, 4-21


## A

accessory, 9-1  
active marker, 4-25  
active probes, 9-4  
adapter, 9-5  
adapter kit, 9-5  
address  
  hp-ib, 7-4  
admittance  
  linear, 4-8  
  log, 4-8  
.ALL, 7-17  
all marker off, 4-25  
attenuator, 7-3, 7-6  
AUTOREC, 7-17  
auto recall, 7-11, 7-17  
auto scale, 4-11

## B


, 3-2  
band widths, 6-3  
, 3-2  
, 3-2  
bottom value, 2-4, 4-12

## C

C!, 2-5, 4-22  
C?, 2-5, 4-22  
cable, 9-4  
, 4-14  
calibration  
  none, 4-16  
  notation, 2-5  
  response, 4-16  
  response and isolation, 4-16  
calibration coefficients arrays, 7-12, 7-15

calibration kit, 9-4  
center value, 2-5  
centronics cable, 9-5  
channel, 2-4  
characters, 4-13  
clear marker, 4-25  
clock, 7-3  
color  
  adjustment, 7-3  
command entry, 7-9  
conductance, 4-8  
connectors, 2-6  
continuous  
  marker, 4-28  
continuous, 5-8  
control program, 7-8  
copy  
  file, 7-12  
Cor, 2-5  
couple  
  marker, 4-28  
crt, 2-3

## D

.DAT, 7-17  
default, B-1  
define trace, 4-11, 4-12  
Del, 2-5  
delay, 4-7  
delta marker, 4-27, 5-8  
Delta marker menu, 4-27  
directory, 7-12  
discrete  
  marker, 4-28  
disk, 9-6  
Disk format, 7-16  
, 4-9  
display, 2-3  
dpi, 7-3

## E

edit list, 5-5  
electrical delay, 2-5, 4-12  
enter characters, 4-13  
enter characters menu, 4-13  
entry block, 3-1

entry off , 3-1  
expanded phase , 4-7, 4-8  
Ext , 2-5  
external monitor, 9-6  
external program run/cont input , 2-6  
external reference input , 2-7  
external trigger , 2-5  
external trigger input , 2-7

## F

Factory setting, B-5  
file  
    copy , 7-12  
    purge , 7-12  
file extension , 7-17  
file name , 7-16  
file utility , 7-8  
filter analysis , 6-3  
filter parameter , 6-3  
fixed marker , 4-27  
flexible disk drive , 2-2  
Flexible Disks , 9-6  
format , 2-4, 4-5  
formatted data arrays , 7-12, 7-15  
four-element equivalent circuit , 6-7  
frequency , 5-6  
frequency base , 5-5  
front panel , 2-1  
function , 4-5  
function menu , 4-5

## G

gain-phase , 4-6  
gain-phase cal menu , 4-16  
G-B , 4-8  
graticule , 4-11  
group delay aperture , 4-7

## H

H1d , 2-5  
hold , 2-5, 5-8  
HP 10833A hp-ib cable(1 m), 9-6  
HP 10833B hp-ib cable(2 m), 9-6  
HP 10833C hp-ib cable(4 m), 9-6  
HP 10833D hp-ib cable(0.5 m), 9-6  
HP 11850C 50  $\Omega$  three-way power splitters,  
    9-4  
HP 11851B 50  $\Omega$  type-n rf cable set, 9-4  
HP 11852B 50  $\Omega$  to 75  $\Omega$  minimum loss pad,  
    9-5  
HP 11853A 50  $\Omega$  type-n adapter kit, 9-5  
HP 11854A 50  $\Omega$  bnc adapter kit, 9-5  
HP 35731A/B monochrome monitor, 9-6  
HP 35741A/B color monitor, 9-6  
HP 41800A active probe, 9-4

HP 41802A 1 M $\Omega$  input adapter, 9-4  
HP 85031B 7 mm calibration kit, 9-4  
HP 85032B 50  $\Omega$  type-n calibration kit, 9-4  
HP 85033C 3.5 mm calibration kit, 9-4  
HP 85036B 75  $\Omega$  type-n calibration kit, 9-4  
HP 85043B system rack, 9-5  
HP 87512A transmission/reflection test set,  
    9-4  
HP 92192A micro flexible disks, 9-6  
HP 92192X micro flexible disks, 9-6  
hp-ib , 7-4  
hp-ib cable, 9-6  
HP-IB interface , 2-7

## I

ibasic , 7-3  
if bw , 5-3  
imaginary, 4-7  
impedance  
    linear , 4-8  
    log , 4-8  
    reflection , 4-6, 4-18, 4-19  
    transmission , 4-6  
Initialize, B-1  
initialize , 7-12  
input impedance , 7-3  
inputs R, A, B, and C , 2-3  
instrument basic, 7-3  
Instrument data arrays, 7-14  
Instrument state data, 7-14  
instrument states and internal data arrays,  
    7-16  
internal reference output , 2-7  
Interpolated error correction , 4-22  
i/o port , 2-7, 8-1  
Isolation calibration , 4-22

## K

key

**Back Space** , 3-2  
**↓** , 3-2  
**↑** , 3-2  
**x 1** , 3-1  
**x k** , 3-1  
**x M** , 3-1

keyboard connector , 2-7

## L

linear  
    impedance , 4-8  
linear frequency sweep mode , 5-5  
linear magnitude , 4-7  
linear sweep , 5-5  
line switch , 2-3

list sweep , 5-5  
list table editor, 5-5  
log  
    impedance , 4-8  
log magnitude , 4-7

## M

main trace arrays , 7-12, 7-15  
manual changes , A-1  
marker  
    center , 5-8  
    continuous , 4-28  
    couple , 4-28  
    discrete , 4-28  
    max , 4-25  
    min , 4-25  
    search range , 4-25  
    search range store , 4-26  
    span , 5-8  
    start , 5-8  
    stop , 5-8  
    target , 4-25  
    tracking , 4-25  
    uncouple , 4-28

**Marker** , 4-24

marker data readout , 2-5  
marker search , 4-25  
marker stimulus , 2-5  
meas , 4-5

**Meas/Format** , 4-3

meas/format menu , 4-5  
measured input , 2-4  
measure restart , 5-8  
memory arrays , 7-12, 7-15  
menu , 2-2  
menu1 , 6-2  
menu2 , 6-5  
menu3 , 6-8  
|Y| and PHASE y , 4-8  
|Z| and PHASE z , 4-8

## N

nop/step , 5-6  
notations , 2-5  
number of channel , 4-5  
number of points , 5-3  
numeric keypad , 3-1

## O

Omitting isolation calibration , 4-22  
on key label , 7-8  
option , 9-1  
option 001 , 2-3, 9-1  
option 002 , 9-1  
option 003 , 2-3, 5-5, 9-2

option 005 , 8-11, 9-2  
option 006 , 8-1, 9-2  
option 007 , 8-14, 9-3  
option 010 , 9-2  
option 022 , 9-3  
option 023 , 9-3  
option 030 , 9-3  
option 100 , 9-1  
option 101 , 2-3, 7-3, 9-2  
option 102 , 9-2  
option 1CM , 9-3  
option 1CN , 9-3  
option 1CP , 9-3  
option 1D5 , 2-6, 2-7, 9-2  
option 1F0 , 9-3  
option 200 , 9-1  
option 300 , 9-1  
option 301 , 2-3, 7-3, 9-2  
option 302 , 9-2  
option 400 , 9-1  
option 600 , 9-1  
option UKR , 9-3  
order base , 5-5  
output switch , 5-5

## P

PASS/FAIL output signal , 8-2, 8-14  
phase  
    admittance , 4-8  
    impedance , 4-8  
phase , 4-7  
phase offset , 2-5, 4-12  
Port A , 8-1, 8-14  
Port B , 8-1, 8-14  
Port C , 8-1, 8-14  
Port D , 8-1, 8-14  
Port E , 8-1  
Port F , 8-1  
Port G , 8-1  
Port H , 8-1  
port select menu , 4-6  
power , 2-7, 5-3  
power splitter, 9-4  
power sweep , 5-5  
**PRESET** , B-1  
preset , 7-20  
**Preset** , 2-3  
Preset state, B-1  
print  
    abort , 7-3  
    lower margin , 7-3  
    upper margin , 7-3  
print , 7-3  
printer, 9-5  
printer interface , 2-7

printer setup , 7-3  
probe power connector , 2-3  
purge  
  file , 7-12

## R

ramp frequency sweep , 5-5  
raw data arrays , 7-12, 7-15  
reactance , 4-8  
real , 4-7  
rear panel , 2-6  
recall , 7-11  
recall file , 7-11  
reference level , 2-5  
reference oven output , 2-6  
reference position , 2-5, 4-12  
reference value , 4-12  
resistance , 4-8  
resonator analysis , 6-7  
Response and isolation calibration , 4-21  
response block , 4-1  
Response calibration , 4-21  
rf out connector , 2-3  
rpg knob , 3-2  
run/cont input , 2-6  
R-X , 4-8

## S

save , 7-11  
scale menu , 4-11  
scale per div , 4-12  
screen display , 2-3  
serial number, A-2  
service , 7-3  
set z0 , 4-18  
single , 5-8  
six-element equivalent circuit , 6-7  
Smo , 2-5  
smoothing , 2-5  
smoothing aperture , 4-11  
span value , 2-5  
.STA , 7-17  
start value , 2-5  
statistics , 4-26  
status notations , 2-5  
Status output , 8-2  
step frequency sweep , 5-5  
step key , 3-2  
stop value , 2-5  
storage , 4-11  
store  
  device , 7-11  
sub trace arrays , 7-12, 7-15

susceptance , 4-8  
sweep , 2-5  
  Sweep , 5-2  
Sweep end output signal, 8-3  
Sweep end output signal , 8-15  
sweep notations , 2-5  
sweep time  
  auto , 5-5  
sweep time , 5-3  
sweep type , 5-3  
system accessory, 9-5  
system controller , 7-4  
system rack, 9-5

## T

T&B , 2-4  
test set, 9-4  
time , 7-4  
title , 4-11, 4-13  
top value , 2-4, 4-12  
trace  
  data , 4-12  
  data to memory , 4-12  
  math , 4-12  
  memory , 4-12  
trace number , 2-4  
trigger  
  external , 5-8  
  internal , 5-8  
trigger , 5-7  
trigger event , 5-8  
trigger input , 2-7  
.TXT , 7-17

## U

uncouple  
  marker , 4-28  
↑ , 2-5

## V

velocity factor , 4-11  
VGA , 2-7  
video outputs , 2-7

## W

widths , 4-26  
Write strobe, 8-2, 8-14

## Z

Z  
  refl CAL menu , 4-18  
  Trans CAL menu , 4-19

## REGIONAL SALES AND SUPPORT OFFICES

*If you need technical assistance with a Hewlett-Packard test and measurement product or application, please contact the Hewlett-Packard office or distributor in your country.*

### **Asia Pacific:**

Hewlett-Packard Asia Pacific Ltd  
17-21/F Shell Tower, Times Square,  
1 Matheson Street, Causeway Bay,  
Hong Kong  
(852) 2599 7070

### **Australia/New Zealand:**

Hewlett-Packard Australia Ltd.  
31-41 Joseph Street  
Blackburn, Victoria 3130  
Australia  
131 347 ext. 2902

### **Canada:**

Hewlett-Packard Canada Ltd.  
5150 Spectrum Way  
Mississauga, Ontario  
L4W 5G1  
(905) 206 4725

**In Europe, Africa and Middle East  
please call your local HP sales office  
or representative:**

Austria/East Central Europe:  
(1) 25000-0

Belgium and Luxembourg:  
(02) 778 34 17

Czech Republic:  
(2) 471 7327

Denmark:  
45 99 10 00

Finland:  
(90) 88 721

France:  
(1) 69.82.65.00

### **Germany:**

(0180) 532 62-33

### **Greece:**

(1) 7264045

### **Hungary:**

(1) 252 4705

### **Ireland:**

(01) 284 4633

### **Israel:**

(03) 5380 333

### **Italy:**

02 - 92 122 999

### **Netherlands:**

(020) 547 6669

### **Norway:**

(22) 73 56 00

### **Poland:**

(22) 37 50 65

### **Portugal:**

(11) 301 73 30

### **Russia:**

(095) 956 2126

### **South Africa:**

(011) 806 1000

### **Spain:**

900 123 123

### **Sweden:**

(08) 444 20 00

### **Switzerland:**

(01) 735 7111

### **Turkey:**

(212) 224 59 25

### **United Kingdom:**

(01344) 366 666

**For European countries  
not listed,  
contact:**

Hewlett-Packard  
International Sales Europe  
Geneva, Switzerland  
Tel: +41-22-780-4111  
Fax: +41-22-780-4770

### **Japan:**

Hewlett-Packard Japan Ltd.  
Measurement Assistance Center  
9-1, Takakura-cho, Hachioji-shi,  
Tokyo 192, Japan  
Tel: (81) 426 48 0722  
Fax: (81) 426 48 1073

### **Latin America:**

Hewlett-Packard  
Latin American Region Headquarters  
5200 Blue Lagoon Drive  
9th Floor  
Miami, Florida 33126  
U.S.A.  
(305) 267 4245/4220

### **United States:**

Hewlett-Packard Company  
Test and Measurement Organization  
5301 Stevens Creek Blvd.  
Bldg. 51L-SC  
Santa Clara, CA 95052-8059  
1 800 452 4844

Mar. 1996

P/N 16000-99004

