

# Contents

## HP E1328A D/A Converter Module User's Manual

---

Warranty . . . . .	5
WARNINGS . . . . .	6
Safety Symbols . . . . .	6
Declaration of Conformity . . . . .	7
Reader Comment Sheet . . . . .	9
<b>Chapter 1. Getting Started with the HP E1328A . . . . .</b>	<b>11</b>
Using This Chapter . . . . .	11
D/A Converter Description . . . . .	11
General Description . . . . .	11
Instrument Definition . . . . .	12
Programming the D/A Converter . . . . .	13
Selecting SCPI Commands . . . . .	13
<b>Chapter 2. Configuring the HP E1328A . . . . .</b>	<b>15</b>
Using This Chapter . . . . .	15
Warnings and Cautions . . . . .	15
Setting the Logical Address Switch . . . . .	16
Selecting Voltage or Current Output . . . . .	17
Connecting Field Wiring . . . . .	18
Wiring Guidelines . . . . .	18
<b>Chapter 3. Using the HP E1328A . . . . .</b>	<b>19</b>
Using This Chapter . . . . .	19
D/A Converter Commands . . . . .	19
Reset Conditions . . . . .	19
Electronic Voltage Adjustment . . . . .	20
Outputting Voltage . . . . .	23
Electronic Current Adjustment . . . . .	26
Outputting Current . . . . .	29
<b>Chapter 4. Understanding the HP E1328A . . . . .</b>	<b>31</b>
Using This Chapter . . . . .	31
Commands for D/A Converter Operation . . . . .	31
Voltage Output . . . . .	32
Remote Sense . . . . .	33
Maximum Lead Resistance . . . . .	33
Operation with Fixed Voltage Sources in Series . . . . .	34
Adjustment Under Actual Lead and Load Conditions . . . . .	34
Current Output . . . . .	36
Querying the D/A Converter . . . . .	37

<b>Chapter 5. HP E1328A Command Reference</b>	39
Using This Chapter	39
Command Types	39
Common Command Format	39
SCPI Command Format	39
Linking Commands	41
SCPI Command Reference	41
CALibration	42
CALibration <i>n</i> :CURRent	42
CALibration <i>n</i> :STATe	43
CALibration <i>n</i> :STATe?	43
CALibration <i>n</i> :VOLTagE	44
DISPlay	45
DISPlay:MONitor:CHANnel	45
DISPlay:MONitor:CHANnel?	46
DISPlay:MONitor[:STATe]	46
DISPlay:MONitor:STRing?	46
[SOURce:]	47
[SOURce:]CURRent <i>n</i>	47
[SOURce:]CURRent <i>n</i> ?	47
[SOURce:]FUNCTion <i>n</i> ?	48
[SOURce:]VOLTagen	48
[SOURce:]VOLTagen?	48
SYSTem	49
SYSTem:ERRor?	49
IEEE-488.2 Common Command Quick Reference	50
HP E1328A Command Quick Reference	51
<b>Appendix A. HP E1328A Specifications</b>	53
<b>Appendix B. HP E1328A Register-Based Programming</b>	55
Using This Appendix	55
Addressing the Registers	55
The Base Address	56
Register Offset	58
Register Definitions	59
Register Descriptions	60
Manufacturer ID Register	60
Device Type Register	60
Status/Control Register	60
Channel Mode Registers	63
Channel Output Registers	63
Command and Parameter Registers	64
A Register-Based Algorithm	71
Programming Examples	72
System Configuration	72
Resetting the Module	72

Reading the ID, Device Type, and Status Registers . . . . .	74
Outputting a Voltage or Current . . . . .	76
Using an Embedded HP RADI-EPC7 Computer . . . . .	79
<b>Appendix C. HP E1328A Error Messages . . . . .</b>	<b>83</b>
<b>Index . . . . .</b>	<b>85</b>



---

## Certification

Hewlett-Packard Company certifies that this product met its published specifications at the time of shipment from the factory. Hewlett-Packard further certifies that its calibration measurements are traceable to the United States National Institute of Standards and Technology (formerly National Bureau of Standards), to the extent allowed by that organization's calibration facility, and to the calibration facilities of other International Standards Organization members.

---

## Warranty

This Hewlett-Packard product is warranted against defects in materials and workmanship for a period of three years from date of shipment. Duration and conditions of warranty for this product may be superseded when the product is integrated into (becomes a part of) other HP products. During the warranty period, Hewlett-Packard Company will, at its option, either repair or replace products which prove to be defective.

For warranty service or repair, this product must be returned to a service facility designated by Hewlett-Packard (HP). Buyer shall prepay shipping charges to HP and HP shall pay shipping charges to return the product to Buyer. However, Buyer shall pay all shipping charges, duties, and taxes for products returned to HP from another country.

HP warrants that its software and firmware designated by HP for use with a product will execute its programming instructions when properly installed on that product. HP does not warrant that the operation of the product, or software, or firmware will be uninterrupted or error free.

## Limitation Of Warranty

The foregoing warranty shall not apply to defects resulting from improper or inadequate maintenance by Buyer, Buyer-supplied products or interfacing, unauthorized modification or misuse, operation outside of the environmental specifications for the product, or improper site preparation or maintenance.

The design and implementation of any circuit on this product is the sole responsibility of the Buyer. HP does not warrant the Buyer's circuitry or malfunctions of HP products that result from the Buyer's circuitry. In addition, HP does not warrant any damage that occurs as a result of the Buyer's circuit or any defects that result from Buyer-supplied products.

NO OTHER WARRANTY IS EXPRESSED OR IMPLIED. HP SPECIFICALLY DISCLAIMS THE IMPLIED WARRANTIES OF MERCHANTABILITY AND FITNESS FOR A PARTICULAR PURPOSE.

## Exclusive Remedies

THE REMEDIES PROVIDED HEREIN ARE BUYER'S SOLE AND EXCLUSIVE REMEDIES. HP SHALL NOT BE LIABLE FOR ANY DIRECT, INDIRECT, SPECIAL, INCIDENTAL, OR CONSEQUENTIAL DAMAGES, WHETHER BASED ON CONTRACT, TORT, OR ANY OTHER LEGAL THEORY.

---

## Notice

The information contained in this document is subject to change without notice. HEWLETT-PACKARD (HP) MAKES NO WARRANTY OF ANY KIND WITH REGARD TO THIS MATERIAL, INCLUDING, BUT NOT LIMITED TO, THE IMPLIED WARRANTIES OF MERCHANTABILITY AND FITNESS FOR A PARTICULAR PURPOSE. HP shall not be liable for errors contained herein or for incidental or consequential damages in connection with the furnishing, performance or use of this material. This document contains proprietary information which is protected by copyright. All rights are reserved. No part of this document may be photocopied, reproduced, or translated to another language without the prior written consent of Hewlett-Packard Company. HP assumes no responsibility for the use or reliability of its software on equipment that is not furnished by HP.

---

## U.S. Government Restricted Rights

The Software and Documentation have been developed entirely at private expense. They are delivered and licensed as "commercial computer software" as defined in DFARS 252.227-7013 (October 1988), DFARS 252.211.7015 (May 1991) or DFARS 252.227-7014 (June 1995), as a "commercial item" as defined in FAR 2.101(a), or as "Restricted computer software" as defined in FAR 52.227-19 (June 1987) (or any equivalent agency regulation or contract clause), whichever is applicable. You have only those rights provided for such Software and Documentation by the applicable FAR or DFARS clause or the HP standard software agreement for the product involved.



HP E1328A User's Manual  
Edition 5

Copyright © 1996 Hewlett-Packard Company. All Rights Reserved.

---

## Documentation History

All Editions and Updates of this manual and their creation date are listed below. The first Edition of the manual is Edition 1. The Edition number increments by 1 whenever the manual is revised. Updates, which are issued between Editions, contain replacement pages to correct or add additional information to the current Edition of the manual. Whenever a new Edition is created, it will contain all of the Update information for the previous Edition. Each new Edition or Update also includes a revised copy of this documentation history page.

Edition 1	September 1989
Edition 2	May 1992
Edition 3	February 1994
Edition 4	April 1995
Edition 5	November 1996

---

## Safety Symbols



Instruction manual symbol affixed to product. Indicates that the user must refer to the manual for specific WARNING or CAUTION information to avoid personal injury or damage to the product.



Alternating current (AC).



Direct current (DC).



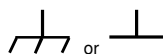
Indicates hazardous voltages.



Indicates the field wiring terminal that must be connected to earth ground before operating the equipment—protects against electrical shock in case of fault.

**WARNING**

Calls attention to a procedure, practice, or condition that could cause bodily injury or death.



Frame or chassis ground terminal—typically connects to the equipment's metal frame.

**CAUTION**

Calls attention to a procedure, practice, or condition that could possibly cause damage to equipment or permanent loss of data.

---

## WARNINGS

**The following general safety precautions must be observed during all phases of operation, service, and repair of this product. Failure to comply with these precautions or with specific warnings elsewhere in this manual violates safety standards of design, manufacture, and intended use of the product. Hewlett-Packard Company assumes no liability for the customer's failure to comply with these requirements.**

**Ground the equipment:** For Safety Class 1 equipment (equipment having a protective earth terminal), an uninterruptible safety earth ground must be provided from the mains power source to the product input wiring terminals or supplied power cable.

**DO NOT operate the product in an explosive atmosphere or in the presence of flammable gases or fumes.**

For continued protection against fire, replace the line fuse(s) only with fuse(s) of the same voltage and current rating and type. DO NOT use repaired fuses or short-circuited fuse holders.

**Keep away from live circuits:** Operating personnel must not remove equipment covers or shields. Procedures involving the removal of covers or shields are for use by service-trained personnel only. Under certain conditions, dangerous voltages may exist even with the equipment switched off. To avoid dangerous electrical shock, DO NOT perform procedures involving cover or shield removal unless you are qualified to do so.

**DO NOT operate damaged equipment:** Whenever it is possible that the safety protection features built into this product have been impaired, either through physical damage, excessive moisture, or any other reason, REMOVE POWER and do not use the product until safe operation can be verified by service-trained personnel. If necessary, return the product to a Hewlett-Packard Sales and Service Office for service and repair to ensure that safety features are maintained.

**DO NOT service or adjust alone:** Do not attempt internal service or adjustment unless another person, capable of rendering first aid and resuscitation, is present.

**DO NOT substitute parts or modify equipment:** Because of the danger of introducing additional hazards, do not install substitute parts or perform any unauthorized modification to the product. Return the product to a Hewlett-Packard Sales and Service Office for service and repair to ensure that safety features are maintained.

**Declaration of Conformity**  
**according to ISO/IEC Guide 22 and EN 45014**

**Manufacturer's Name:** Hewlett-Packard Company  
Loveland Manufacturing Center

**Manufacturer's Address:** 815 14th Street S.W.  
Loveland, Colorado 80537

**declares, that the product:**

**Product Name:** 4-Channel D/A Converter Module

**Model Number:** HP E1328A

**Product Options:** All

**conforms to the following Product Specifications:**

**Safety:** IEC 348:1978/HD 401 S1:1981  
CSA 556B  
UL 1244

**EMC:** CISPR 11:1990/EN55011 (1991): Group 1 Class A  
EN50082-1:1992  
IEC 801-2:1991: 4 kVCD, 8 kVAD  
IEC 801-3:1984: 3 V/m  
IEC 801-4:1988: 1 kV Power Line, .5 kV Signal Lines

**Supplementary Information:** The product herewith complies with the requirements of the Low Voltage Directive 73/23/EEC and the EMC Directive 89/336/EEC (inclusive 93/68/EEC) and carries the "CE" marking accordingly.

Tested in a typical HP B-Size VXI Mainframe.  
Safety qualification performed May, 1989.

**September 16, 1996**

  
\_\_\_\_\_  
**Jim White, QA Manager**

European contact: Your local Hewlett-Packard Sales and Service Office or Hewlett-Packard GmbH,  
Department HQ-TRE, Herrenberger Straße 130, D-71034 Böblingen, Germany (FAX +49-7031-14-3143).

## *Notes*

---



Please fold and tape for mailing

### Reader Comment Sheet

HP E1328A User's Manual  
Edition 5

You can help us improve our manuals by sharing your comments and suggestions. **In appreciation of your time, we will enter you in a quarterly drawing for a Hewlett-Packard Palmtop Personal Computer** (U.S. government employees cannot participate in the drawing).

_____ Your Name	_____ City, State/Province
_____ Company Name	_____ Country
_____ Job Title	_____ Zip/Postal Code
_____ Address	_____ Telephone Number with Area Code

Please list the system controller, operating system, programming language, and plug-in modules you are using.

---

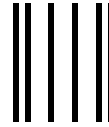


---



---

*fold here*

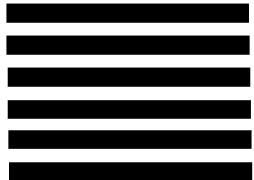


NO POSTAGE NECESSARY IF MAILED IN THE UNITED STATES
---

<b>BUSINESS REPLY MAIL</b>
FIRST CLASS    PERMIT NO. 37    LOVELAND, CO

POSTAGE WILL BE PAID BY ADDRESSEE

**HEWLETT-PACKARD COMPANY**  
 Measurement Systems Division  
 Learning Products Department  
 P.O. Box 301  
 Loveland, CO 80539-9984



cut along this line



*fold here*

Please pencil-in one circle for each statement below:

- The documentation is well organized.
- Instructions are easy to understand.
- The documentation is clearly written.
- Examples are clear and useful.
- Illustrations are clear and helpful.
- The documentation meets my overall expectations.

Disagree	←————→					Agree
<input type="radio"/>	<input type="radio"/>	<input type="radio"/>	<input type="radio"/>	<input type="radio"/>	<input type="radio"/>	<input type="radio"/>
<input type="radio"/>	<input type="radio"/>	<input type="radio"/>	<input type="radio"/>	<input type="radio"/>	<input type="radio"/>	<input type="radio"/>
<input type="radio"/>	<input type="radio"/>	<input type="radio"/>	<input type="radio"/>	<input type="radio"/>	<input type="radio"/>	<input type="radio"/>
<input type="radio"/>	<input type="radio"/>	<input type="radio"/>	<input type="radio"/>	<input type="radio"/>	<input type="radio"/>	<input type="radio"/>
<input type="radio"/>	<input type="radio"/>	<input type="radio"/>	<input type="radio"/>	<input type="radio"/>	<input type="radio"/>	<input type="radio"/>

Please write any comments or suggestions below--be specific.

---



---



---



---



---



---



---



# Chapter 1

## Getting Started with the HP E1328A

---

### Using This Chapter

This chapter describes the HP E1328A 4-Channel D/A Converter module, and contains information on how to program it using SCPI (Standard Commands for Programmable Instruments) commands. This chapter contains the following sections:

- D/A Converter Description . . . . . Page 11
- Instrument Definition . . . . . Page 12
- Programming the D/A Converter. . . . . Page 13

### D/A Converter Description

The HP E1328A 4-Channel D/A Converter provides four independent, 16-bit isolated digital-to-analog channels configurable for either DC voltage or DC current output. Figure 1-1 shows a block diagram for one of the four HP E1328A channels. All four channels have the same block diagram.

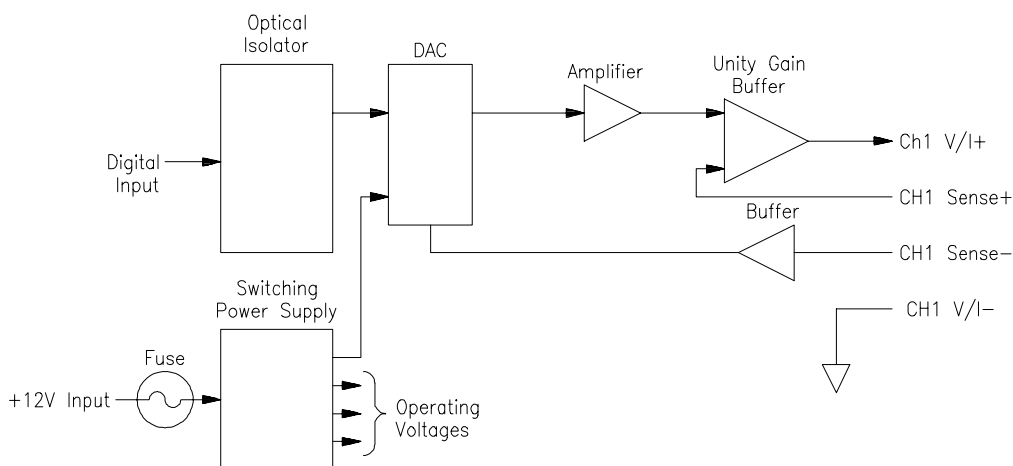


Figure 1-1. D/A Converter Block Diagram

### General Description

Each of the four channels can be programmed to output voltage or current in one of the two operating modes.

- **Calibrated mode:** output voltage range is  $\pm 10.922$  Vdc and output current range is  $\pm 21.84$  mAdc.
- **Non-calibrated mode:** output range is typically  $\pm 12$  Vdc and  $\pm 24$  mAdc.

In the calibrated mode, output accuracy is dependent on the date of the last electronic adjustment performed (see Appendix A). This accuracy is maintained by use of stored adjustment constants in memory. Each channel has independent adjustment constants for both voltage and current, which are updated by performing the appropriate electronic adjustment procedure (see Chapter 3).

The electronic adjustment procedures used to update the channel's stored voltage and/or current adjustment constant in memory requires only a multimeter (5½-digit, 0.015% of reading + 1 mV accuracy) to complete. If a system multimeter is used, the electronic adjustment procedures can also be automated.

The four channels are electrically isolated from each other, and from chassis ground. This allows the usable output range (voltage and/or current) to be expanded by linking multiple channels. For example, the output voltage range can be expanded to 48 Vdc by linking channels in series, and the output current range can be expanded to 96 mA<sub>dc</sub> by linking channels in parallel.

Both voltage and current outputs on all channels are provided with output short circuit protection. Additionally, each channel configured for outputting voltage has no-fault remote-sensing capability to ensure accurate voltages at the load. If one of the sense leads become disconnected, the D/A Converter will automatically revert to local sensing.

The AC FAIL line (from the mainframe) is constantly monitored by the D/A Converter. If power fails, the D/A Converter channels are shut down to conserve power and provide greater hold-up time for the mainframe power supplies.

## Instrument Definition

HP plug-in modules installed in an HP mainframe are treated as independent instruments, each having a unique secondary HP-IB address. Each instrument is also assigned a dedicated error queue, input and output buffers, status registers and, if applicable, dedicated mainframe memory space for readings or data. An instrument may be composed of a single plug-in module (such as a counter) or multiple plug-in modules (for a switchbox or scanning voltmeter instrument).

# Programming the D/A Converter

To program the D/A Converter using Standard Commands for Programmable Instruments (SCPI), you must select the controller language, interface address, and SCPI commands to be used. See *Installing the HP E1300A/E1301A Mainframe and Plug-In Modules Configuration Guide* for interface addressing and controller language information.

---

**Note** This discussion applies to SCPI programming. See Appendix B for details on register-based programming.

---

## Selecting SCPI Commands

A SCPI command consists of a keyword, such as the source command [SOURce:]VOLTage*n* <level>. *n* defines the channel to be configured (for voltage in this case). Most keywords require that you specify the channel (1, 2, 3, or 4) you want to act on. If no channel is specified, the default is channel 1.

Some keywords must be followed by a value to set a parameter to a specific value (for example, voltage *level*, [SOURce:]VOLTage1 10.00000). "10.00000" outputs +10.00000 Vdc on channel 1 if properly configured for voltage. Additionally, some keywords must be followed by a value to set a parameter to a specific state (for example, calibration on/off CAL:STAT 1). The "1" sets the D/A Converter channel 1 mode to ON (calibration).

---

**Note** Implied commands are those which appear in square brackets ( [ ] ) in the command syntax. The brackets are not part of the command and are not sent to the instrument. [SOURce:] is an implied command and, therefore, is not required. See page 40 for more information about implied commands.

---

## *Notes*

---

# Chapter 2

## Configuring the HP E1328A

---

### Using This Chapter

This chapter shows how to connect external wiring to the 4-Channel D/A Converter module inputs, and how to configure the module for voltage and current output. This chapter contains the following sections:

- Warnings and Cautions . . . . . Page 15
- Setting the Logical Address Switch. . . . . Page 16
- Selecting Voltage or Current Output. . . . . Page 17
- Connecting Field (user) Wiring . . . . . Page 18

### Warnings and Cautions

---

**WARNING**      **SHOCK HAZARD.** Only service-trained personnel who are aware of the hazards involved should install, remove, or configure the D/A Converter module. Before you remove any installed module, disconnect AC power from the mainframe and field wiring.

---

---

**CAUTION**      **MAXIMUM VOLTAGE.** The maximum voltage that may be applied between any two terminals within the same channel is 15 Vdc. Do not apply voltage between any pair of terminals if the D/A Converter is turned off.

**STATIC ELECTRICITY.** Static electricity is a major cause of component failure. To prevent damage to the electrical components in the D/A Converter module, observe anti-static techniques whenever removing a module from the mainframe or whenever working on a module.

---

## Setting the Logical Address Switch

The address switch (LADDR) factory setting is 72. You may have changed the setting during module installation. Valid address values are from 0 to 255. If the D/A Converter module is used in a HP E1300/E1301 Mainframe, refer to *Installing the HP E1300A/E1301A Mainframe and Plug-In Modules Configuration Guide* for addressing information. Otherwise, use Figure 2-1 to change the setting.

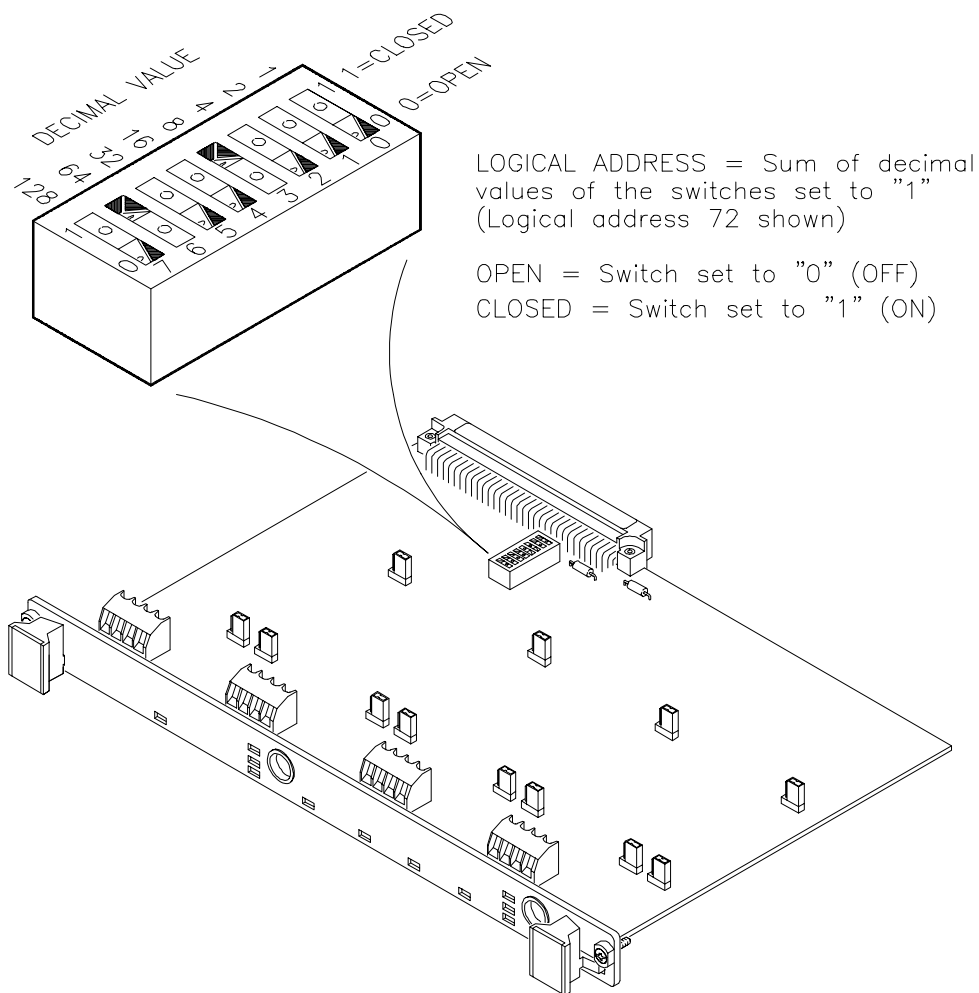


Figure 2-1. Locate and Set the Logical Address Switch



# Selecting Voltage or Current Output

Each of the four D/A Converter channels is capable of providing either a voltage or current output. Voltage or current can be selected for each channel independently. Figure 2-2 shows the jumper location for each channel and highlights the jumpers for Channel 1. Figure 2-2 also shows the correct position for the desired output. Note that each channel contains three jumpers, and that all jumpers for a channel must be changed to the desired output.

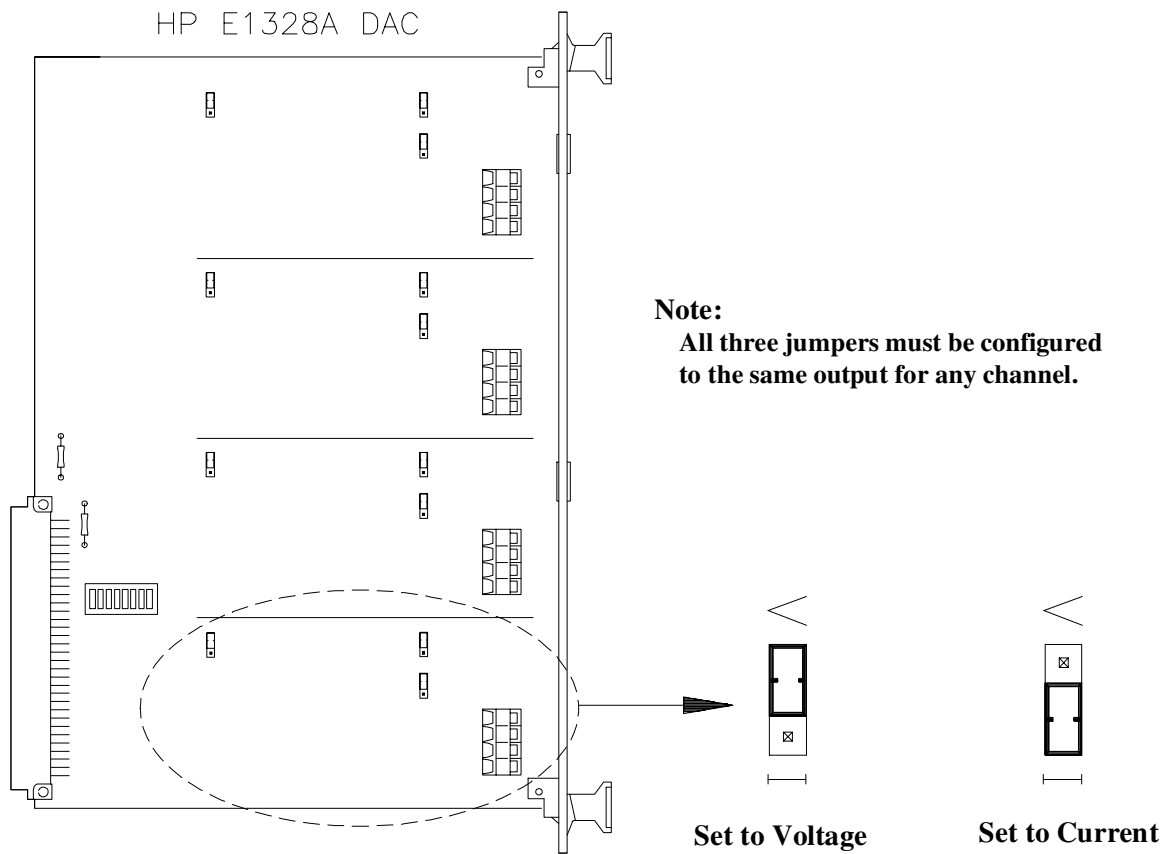


Figure 2-2. Voltage/Current Output Selection

---

### CAUTION

Moving the V/I jumpers with power applied to the D/A Converter could cause improper operation or damage.

---

# Connecting Field Wiring

Figure 2-3 shows the input terminals for the D/A Converter output and sense terminals. Use the following guidelines for wire connections.

## Wiring Guidelines

- It is recommended that each channel wire be identified (color coded or marked) as the connection is not visible when the D/A Converter module is installed.
- Be sure that wires make good connections on the screw terminals.
- Maximum wire size is 16 AWG. Wire ends should be stripped 6 mm ( $\approx 0.234$  inch) and tinned to prevent single strands from shorting adjacent terminals.
- The other end may have any connection the user determines necessary.
- Do not connect the channel's SENSE terminals if they will not be used (for example, channel is being configured for a current output, or a voltage output without remote sensing).

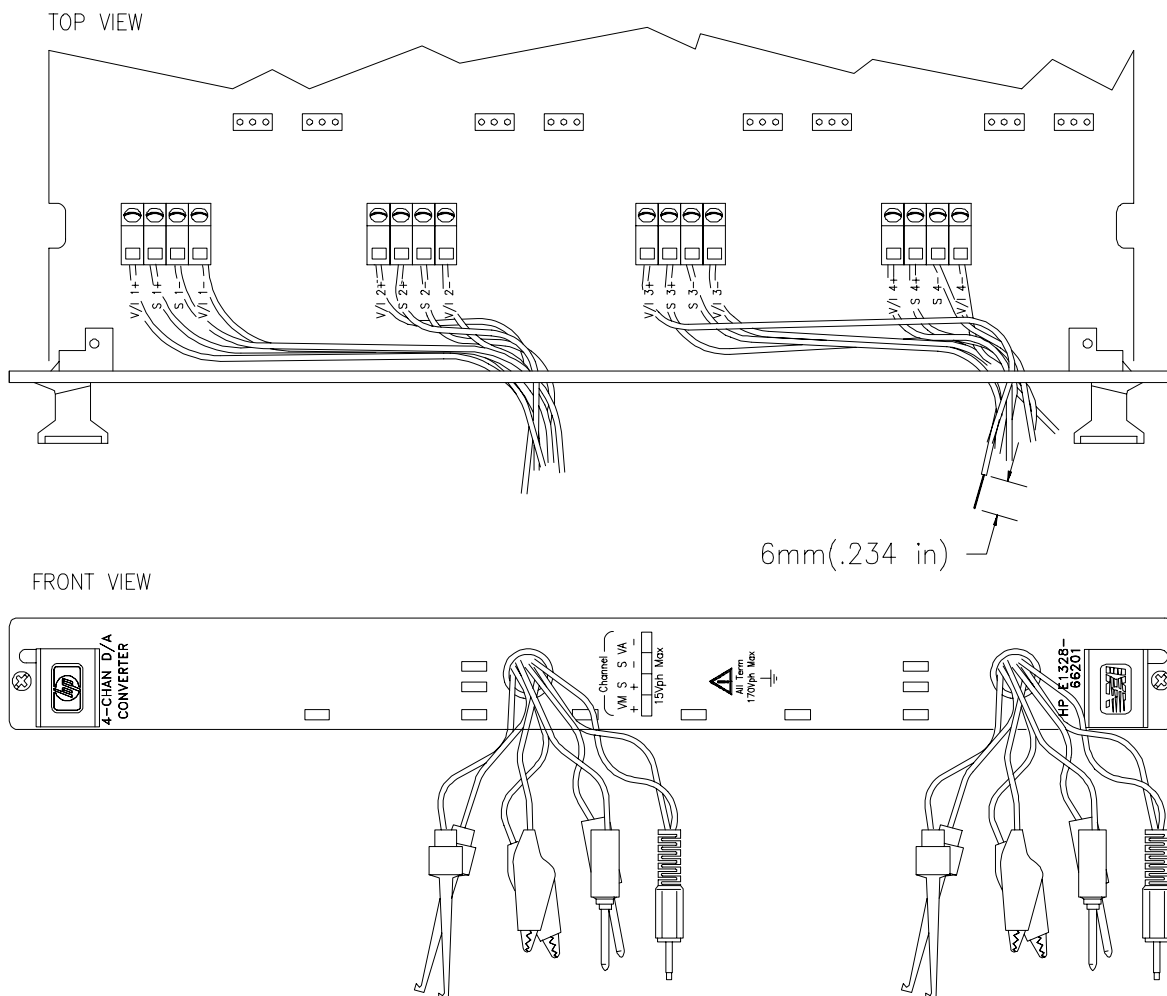


Figure 2-3. D/A Converter Terminals

### Using This Chapter

This chapter uses typical examples to show how to use the 4-Channel D/A Converter. Refer to Chapter 4, “Understanding the HP E1328A”, for more information. This chapter contains the following:

- D/A Converter Commands . . . . . Page 19
- Reset Conditions . . . . . Page 19
- Electronic Voltage Adjustment . . . . . Page 20
- Outputting Voltage . . . . . Page 23
- Electronic Current Adjustment . . . . . Page 26
- Outputting Current . . . . . Page 29

### D/A Converter Commands

**Table 3-1. D/A Converter Commands Used in Chapter 3**

Command **	Description
CAL:CURREn z,z,z	Used during the current electronic adjustment procedure to update a channel's stored adjustment constants in memory.
CALn:STAT y	Selects calibrated (ON   1) or non-calibrated mode (OFF   0).
CAL:VOLTn z,z,z	Used during the voltage electronic adjustment procedure to update a channel's stored adjustment constants in memory.
[SOURce:]CURREn xxx	Causes the D/A Converter to output a specific current. Channel must be configured for current output (refer to page 17). Range is dependent on the mode selected.
[SOURce:]VOLTn xxx	Causes the D/A Converter to output a specific voltage. Channel must be configured for voltage output (refer to page 17). Range is dependent on the mode selected.
*RST	Sets the hardware and software to a known state.

\*\* n = channel number, xxx = desired value, y = ON (1) or OFF (0), and z,z,z = measured minimum, default (0), and maximum values. [SOURce:] is a command that is implied (not required), but if it is used, delete the brackets and send as SOURce:.

### Reset Conditions

When the D/A Converter is switched on or \*RST (reset), all four channels are set to 0 Vdc/0 mAdc output ( $\pm 100$  ms.) and the calibrated mode is selected for all channels. Refer to Chapter 4 for more information.

# Electronic Voltage Adjustment

The electronic voltage adjustment is used to update the stored voltage constants for each channel, and should be performed:

- on initial set-up;
- periodically (24 hours or 90 days) to maintain desired output accuracy (see Appendix A);
- when a  $\pm 5^{\circ}\text{C}$  change in temperature from last adjustment performed has occurred;
- when the type of load is changed;
- or anytime accuracy is in doubt.

The adjustment procedure is performed for each channel as follows:

1. Configure the desired channel(s) for voltage output (see page 17).
2. Connect the load to the desired D/A Converter channel. Connect a voltmeter (external or system) to measure voltage at the load.
3. Set the D/A Converter channel to the non-calibrated mode.

---

## Note

The electronic adjustment *must* be performed in the *non-calibrated mode* (step 3), or errors in the adjustment constant will occur.

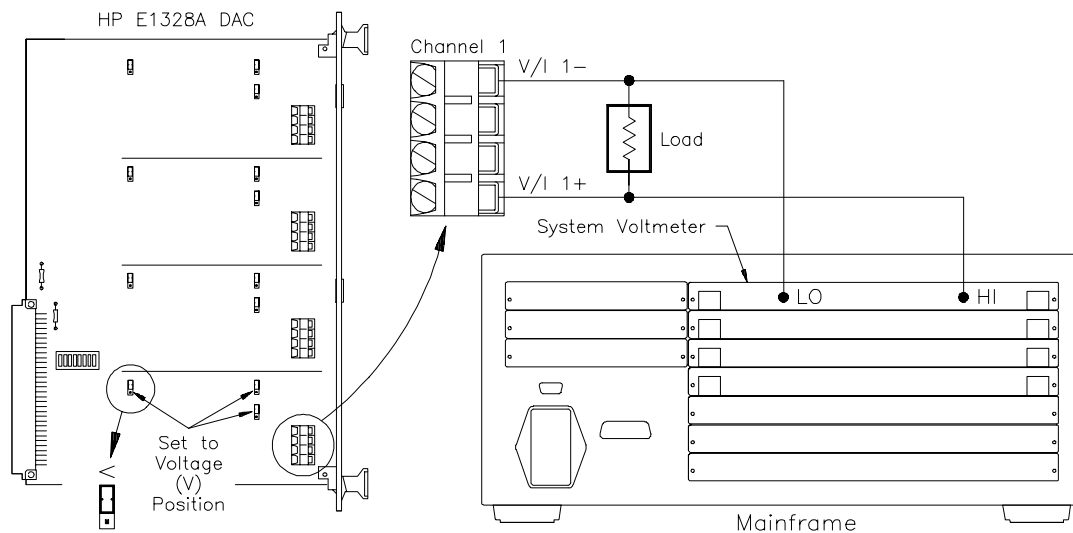
---

4. Set the channel's output to minimum (–12 volts). Measure and record to 5½-digits the actual output at the load.
5. Set the channel's output to default (0 volts). Measure and record to 5½-digits the actual output at the load.
6. Set the channel's output to maximum (+12 volts). Measure and record to 5½-digits the actual output at the load.
7. Record minimum, default, and maximum values and send them to the module as arguments of the CALibration command. New adjustment constants will be automatically calculated and stored from the entered measurement values.
8. Repeat steps 2 through 7 for all desired channels.

## Example: Electronic Voltage Adjustment Using a System Voltmeter

Figure 3-1 shows how to connect channel 1 output terminals to the load and system voltmeter (HP E1326B/E1411B). The D/A Converter must be physically configured to provide voltage output on channel 1 (refer to page 17), and then instructed to perform the adjustment. For the example, use:

- An HP-IB select code of 7, primary address of 09, and secondary address of 09 for the D/A Converter.
- An HP-IB select code of 7, primary address of 09, and secondary address of 03 for the system voltmeter.
- An HP Series 200/300 Computer with HP BASIC.



**Figure 3-1. Electronic Voltage Adjustment**

Execute:

10	REAL A,B,C	
20	OUTPUT 70909;"*RST"	<i>!Reset the D/A Converter to its default state; perform self-test.</i>
30	OUTPUT 70909;"CAL1:STAT OFF"	<i>!Configure channel 1 to the non-calibrated mode.</i>
40	OUTPUT 70909;"VOLT1 MIN"	<i>!Configure channel 1 to output the minimum voltage (-12 volts).</i>
50	OUTPUT 70909;"*OPC?"	<i>!Hold program execution until the first output is complete. When done, generate an operation complete flag.</i>
60	ENTER 70909;D	<i>!Dummy variable holds operation complete flag.</i>
70	OUTPUT 70903;"MEAS:VOLT:DC?"	<i>!Configure the system voltmeter to make a DC voltage measurement.</i>
80	ENTER 70903;A	<i>!Store minimum voltage reading.</i>
90	OUTPUT 70909;"VOLT1 DEF"	<i>!Configure channel 1 to output the default voltage (0 volts).</i>

```

100 OUTPUT 70903;"MEAS:VOLT:DC?" !Configure the system voltmeter to
make a DC voltage measurement.
110 ENTER 70903;B !Store default voltage reading.
120 OUTPUT 70909;"VOLT1 MAX" !Configure channel 1 to output
the maximum voltage (+12 volts).
130 OUTPUT 70903;"MEAS:VOLT:DC?" !Configure the system voltmeter
for a DC voltage measurement.
140 ENTER 70903;C !Store maximum voltage reading.
150 OUTPUT 70909;"CAL1:VOLT" ;A;B;C!Enter the measured minimum,
default, and maximum values.
New adjustment constants are
calculated and stored for
channel 1.

```

## Comments

- **Test Hook-up.** If possible, calibrate to the same load (and leads) that the D/A Converter will be providing the voltage output to. Connect the voltmeter leads as close as possible to the load.
- **Voltmeter.** Any 5½-digit voltmeter with accuracy of at least (0.015% of reading +1mV) can be used when performing the adjustment. HP recommends using the HP E1326B/E1411B 5½-Digit Multimeter for a system voltmeter, or the HP 3457 for an external voltmeter (recommended for current).
- **Electronic Current Adjustment.** If a channel is only to be used for voltage output, it is not necessary to perform the current adjustment.

# Outputting Voltage

- Will output voltage on channels 1, 2, 3, and/or 4.
- Range is 10.922 Vdc in calibrated mode and 12 Vdc in non-calibrated mode per channel.
- Range can be increased to a maximum of 43.600 Vdc in calibrated mode and 48 Vdc in non-calibrated mode by connecting all four channels in series.
- Remote sensing is available to ensure the selected voltage is available at the load.

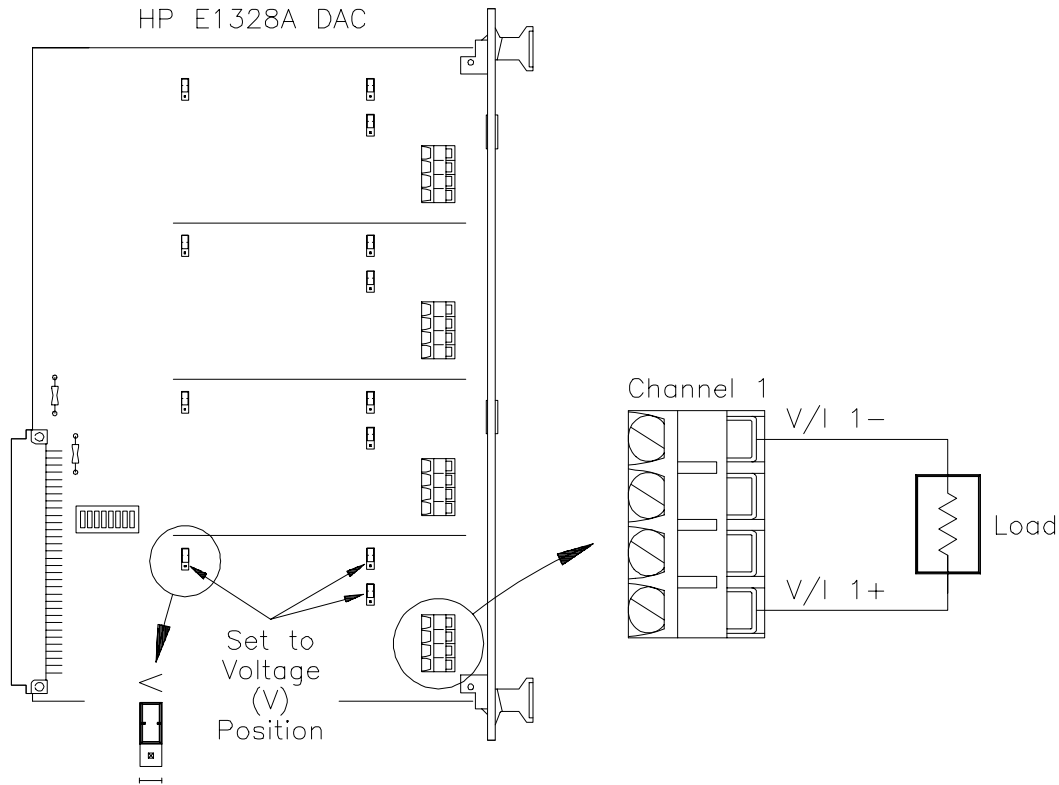
## Example: Voltage Output in Calibrated Mode

Figure 3-2 shows how to connect channel 1 output terminals to the load. The D/A Converter must be physically configured to provide voltage output on channel 1 (refer to page 17), and then instructed to output +10.00000 Vdc on channel 1 in the calibrated mode.

Execute:

```
CAL1:STAT ON
VOLT1 10.00000
```

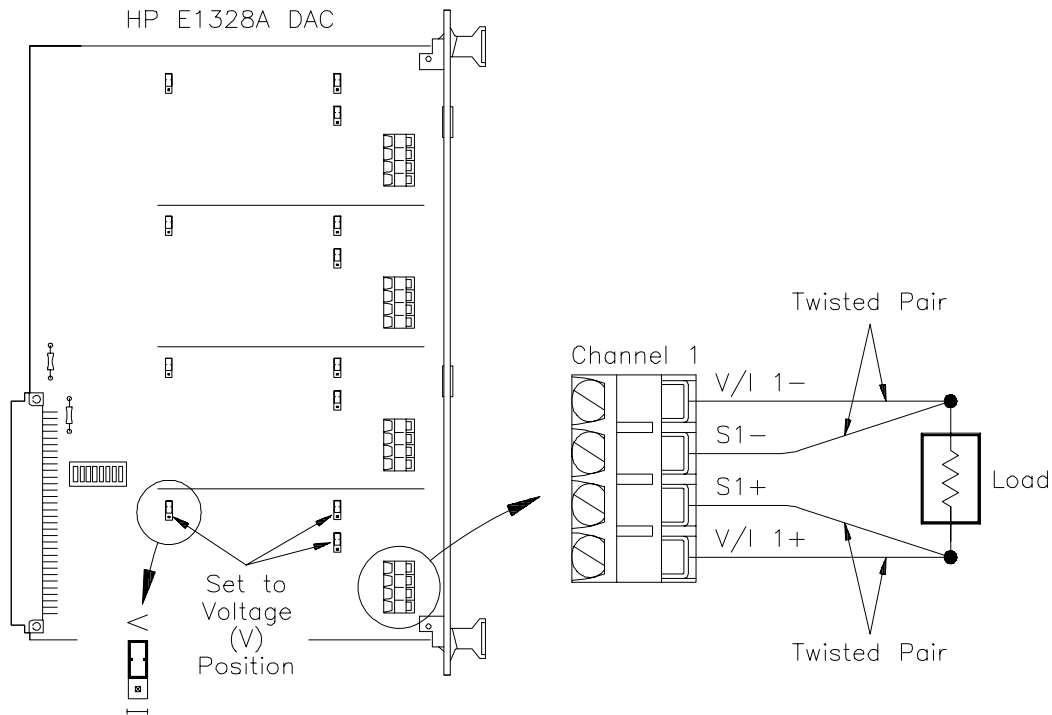
*Sets channel 1 to calibrated mode.  
Configures channel 1 for voltage and sets output at terminals to 10.00000 Vdc.*



**Figure 3-2. One Channel Voltage Output**

**Example: Voltage Output in Calibrated Mode with Remote Sensing**

Figure 3-3 shows how to connect the sensing terminals to the load. The D/A Converter physical configuration and instructions are identical to those described earlier.



**Figure 3-3. One Channel Voltage Output with Remote Sensing**

**Example: Expanding Voltage Output Range in the Calibrated Mode with Remote Sensing**

Figure 3-4 shows how to configure channel 1 and 2 output terminals in series to increase the range, connecting the sense terminals, and connecting to the load. The D/A Converter must be physically configured to provide voltage output on channels 1 and 2 (refer to page 17), and then instructed to output a specific voltage on channels 1 and 2 in order to obtain a total of +20.00000 Vdc in the calibrated mode. For the example, use:

- an HP-IB select code of 7, primary address of 09, and secondary address of 09 for the D/A Converter;
- an HP Series 200/300 computer with HP BASIC.

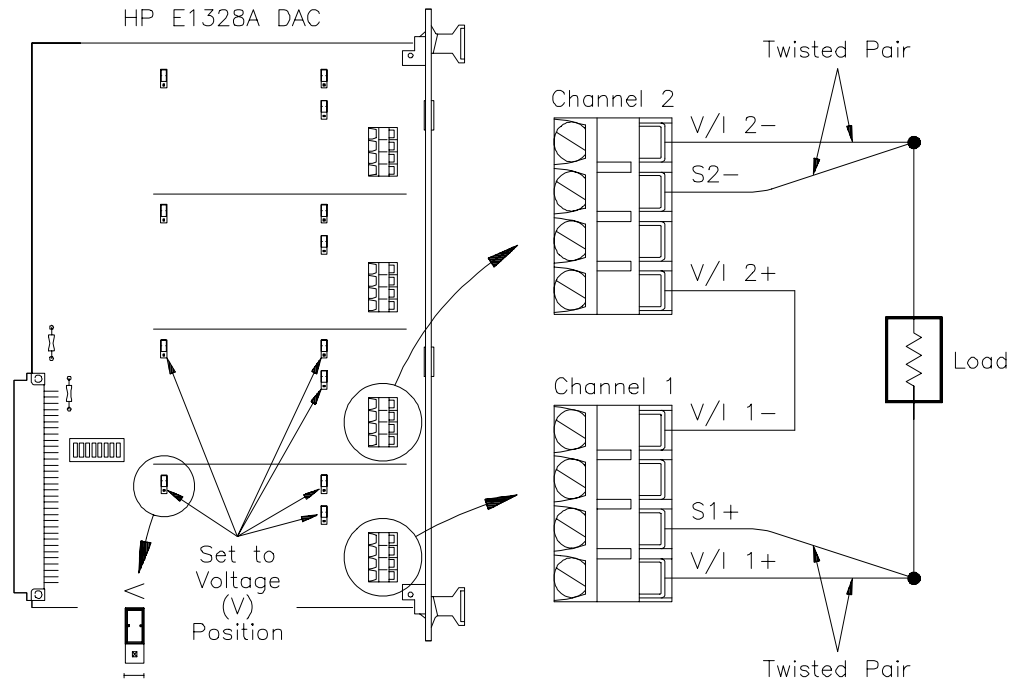
Execute:

```

10  OUTPUT 70909;"*RST"           !Reset the D/A Converter to its
                                   default state.
20  OUTPUT 70909;"VOLT1 10.00000" !Configure channel 1 for voltage
                                   and sets output at terminals to
                                   +10.00000 V in the calibrated
                                   (default) mode.
30  OUTPUT 70909;"VOLT2 10.00000" !Configure channel 2 for voltage
                                   and sets output at terminals to
                                   +10.00000 V in the calibrated
                                   (default) mode.

```





**Figure 3-4. Extending Voltage Output Range**

### Comments

- **Sense Terminals.** Use of remote sensing is recommended to compensate for voltage drops in the test leads. This ensures an accurate voltage is present at the load. If not in use, do not make any connection to the SENSE terminals.
- **Compliance Current.** The maximum current available when outputting a voltage is 24 mAdc. This means, that at 12 Vdc, the load resistance should be at least 500Ω. See Chapter 4 for further explanation on compliance current and load resistance.
- **Isolation.** Channel-to-channel or channel-to-chassis isolation is rated at 250 Vrms (350 Vdc/ac peak).

### WARNING

**Do not exceed the rated isolation voltage. Damage may result if channels of the same D/A Converter are connected to separate phases of 3-phase power lines.**

- **Incorrect Jumper Setting.** If a channel is configured for current and instructed to output voltage, an error will be generated.

# Electronic Current Adjustment

The electronic current adjustment is used to update the stored current constants for each channel, and should be performed:

- on initial set-up;
- periodically (24 hours or 90 days) to maintain desired output accuracy (see Appendix A);
- when a  $\pm 5^{\circ}\text{C}$  change in temperature from last adjustment performed has occurred;
- when the type of load is changed;
- or anytime accuracy is in doubt.

The adjustment procedure is performed for each channel as follows:

1. Configure the desired channel(s) for current output (refer to page 17).
2. Connect the load to the desired D/A Converter channel. Connect a multimeter to measure current at the load.
3. Set the D/A Converter channel to the non-calibrated mode.

---

**Note** The electronic adjustment *must* be performed in the *non-calibrated mode* (step 3), or errors in the adjustment constant will occur.

---

4. Set the channel's output to minimum ( $-24\text{ mAdc}$ ). Measure and record to  $5\frac{1}{2}$ -digits the actual output at the load.
5. Set the channel's output to default ( $0\text{ mAdc}$ ). Measure and record to  $5\frac{1}{2}$ -digits the actual output at the load.
6. Set the channel's output to maximum ( $+24\text{ mAdc}$ ). Measure and record to  $5\frac{1}{2}$ -digits the actual output at the load.
7. Record the minimum, default, and maximum values and send them as parameters to the CALibration command. New adjustment constants will be calculated and stored from the entered values.
8. Repeat steps 2 through 7 for all desired channels.

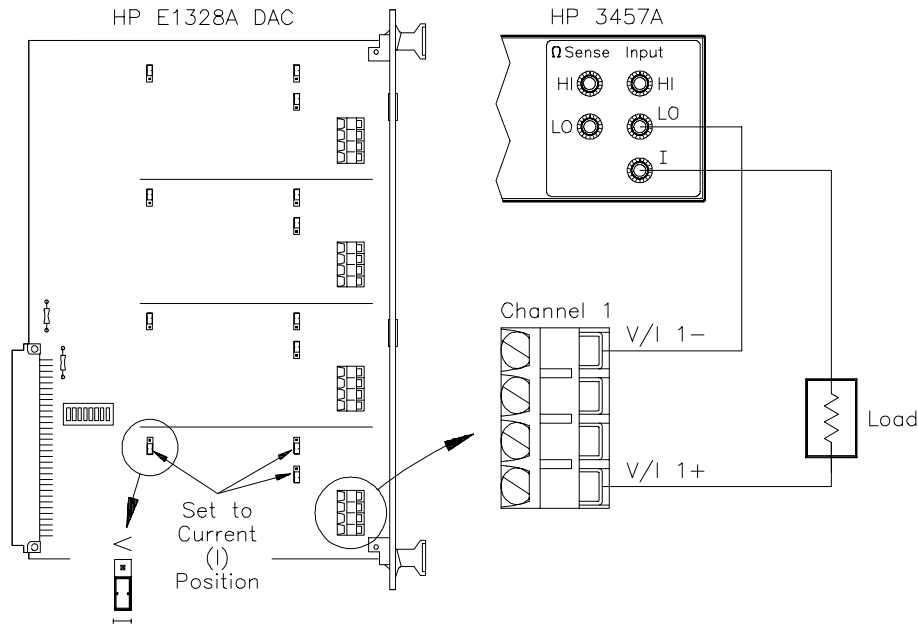
### Example: One Channel Electronic Current Adjustment Using an External Multimeter

Figure 3-5 shows how to connect channel 1 output terminals to the load and external multimeter (HP 3457A). The D/A Converter must be physically configured to provide current output on channel 1 (refer to page 17), and then instructed to perform the adjustment. For the example, use:

- An HP-IB select code of 7, primary address of 09, and secondary address of 09 for the D/A Converter.
- An HP Series 200/300 computer with HP BASIC.

Execute:

```
10 REAL A,B,C, !Define variables used to store measured values.
20 OUTPUT 70909;"*RST" !Reset the D/A Converter to its default state and performs a self-test.
30 OUTPUT 70909;"CAL1:STAT OFF" !Configure channel 1 to the non-calibrated mode.
40 OUTPUT 70909;"CURR1 MIN" !Configure channel 1 to output the minimum current (-24 mAdc).
50 PRINT "RECORD AS MINIMUM" !Message on screen instructs to record the measurement on the multimeter as minimum.
60 INPUT "ENTER RECORDED MIN: ",A !Message on screen instructs to enter the recorded minimum value. Enter and press RETURN.
70 OUTPUT 70909;"CURR1 DEF" !Configure channel 1 to output the default current (0 mAdc).
80 PRINT "RECORD AS DEFAULT" !Message on screen instructs to record the measurement on the multimeter as default.
90 INPUT "ENTER RECORDED DEF: ",B !Message on screen instructs to enter the recorded default value. Enter and press RETURN.
100 OUTPUT 70909;"CURR1 MAX" !Configure channel 1 to output the maximum current (+24 mAdc).
110 PRINT "RECORD AS MAXIMUM" !Message on screen instructs to record the measurement on the multimeter as maximum.
120 INPUT "ENTER RECORDED MAX: ",C !Message on screen instructs to enter the recorded maximum value. Enter and press RETURN.
130 OUTPUT 70909;"CAL1:CURR ";A;B;C, !Enter the measured minimum, default, and maximum values. New adjustment constants are then calculated and stored for channel 1.
```



**Figure 3-5. Electronic Current Adjustment**

### Comments

- **Test Hook-up.** If possible, calibrate to the same load (and leads) that the D/A Converter will be providing the current output to. Connect the multimeter leads as close as possible to the load.
- **Multimeter.** Any 5½-digit (or greater) multimeter with DC current, with an accuracy of at least (0.02% of reading +1A) can be used when performing the adjustment. HP recommends using the HP 3457A.
- **Electronic Voltage Adjustment.** If a channel is only to be used for current output, it is not necessary to perform the voltage adjustment.

# Outputting Current

- Will output current on channels 1, 2, 3, and/or 4.
- Range is 21.844 mAdc in calibrated mode and 24 mAdc in non-calibrated mode per channel.
- Range can be increased to a maximum 87.376 mAdc in calibrated mode and 96 mAdc in non-calibrated mode by connecting all four channels in parallel.

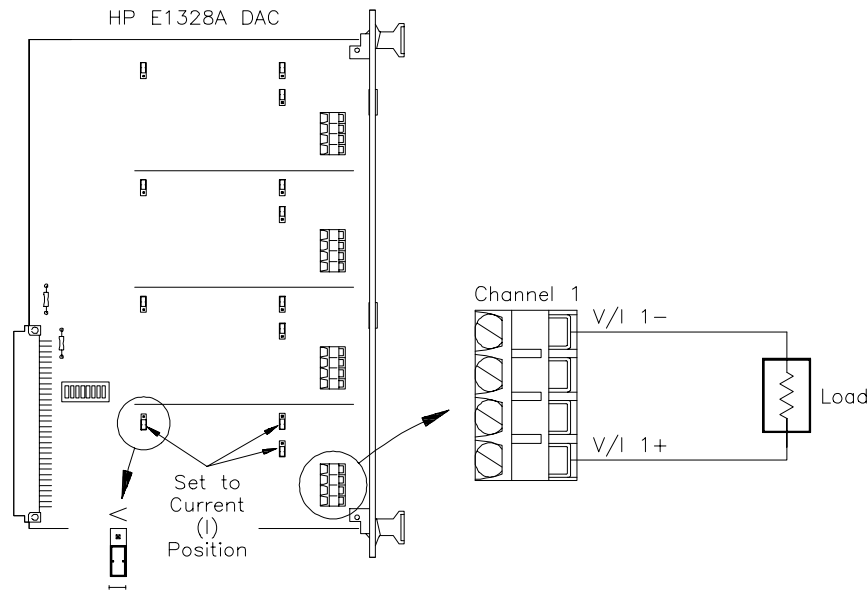
## Example: One Channel Current Output in Calibrated Mode

Figure 3-6 shows how to connect channel 1 output terminals to the load. The D/A Converter must be physically configured to provide current output on channel 1 (refer to page 17), and then instructed to output +20.00000 mAdc on channel 1 in the calibrated mode.

Execute:

```
CAL1:STAT ON
CURR1 0.020000
```

*Sets channel 1 to calibrated mode.  
Configures channel 1 for current and sets output at terminals to 20.000 mAdc.*



**Figure 3-6. One Channel Current Output**

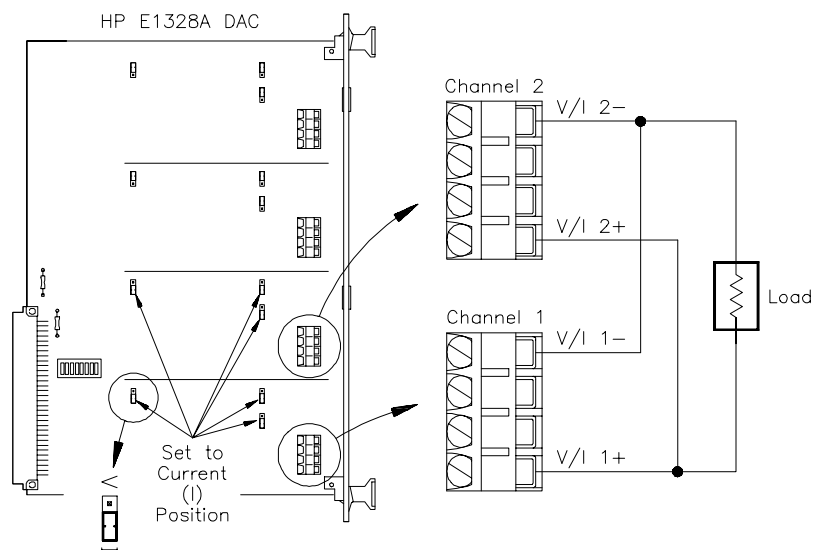
## Example: Expanding Current Output Range in the Non-Calibrated Mode

Figure 3-7 shows how to configure channel 1 and 2 output terminals in parallel to increase the range, and how to connect to the load. The D/A Converter must be physically configured to provide current output on channels 1 and 2 (refer to page 17), and then instructed to output a specific current on channels 1 and 2 in order to obtain a total of +48.00000 mAdc in the non-calibrated mode. For the example, use:

- An HP-IB select code of 7, primary address of 09, and secondary address of 09 for the D/A Converter.
- An HP Series 200/300 computer with HP BASIC.

Execute:

- |    |                              |  |
|----|------------------------------|--|
| 10 | OUTPUT 70909;"*RST"          | <i>!Reset the D/A Converter to its default state.</i>  |
| 20 | OUTPUT 70909;"CAL1:STAT OFF" | <i>!Configure channel 1 to the non-calibrated mode.</i>  |
| 30 | OUTPUT 70909;"CAL2:STAT OFF" | <i>!Configure channel 2 to the non-calibrated mode.</i>  |
| 40 | OUTPUT 70909;"CURR1 MAX"     | <i>!Configure channel 1 for current and sets output at terminals to maximum (+24 mAdc) in non-calibrated mode.</i> |
| 50 | OUTPUT 70909;"CURR2 MAX"     | <i>!Configure channel 2 for current and sets output at terminals to maximum (+24 mAdc) in non-calibrated mode.</i> |



**Figure 3-7. Extending Current Output Range**

**Comments**

- **Sense Terminals.** Do not make any connection to the SENSE terminals when outputting current.
- **Compliance Voltage.** The maximum voltage available when outputting a current from one channel is 13 Vdc. This means that at 24 mAdc, the load resistance should not exceed 541. See Chapter 4 for further explanation on compliance voltage and load resistance.
- **Isolation.** Channel-to-channel or channel-to-chassis isolation is 250 Vrms (350 Vdc/ac peak).

---

**WARNING**

**Damage may result if channels of the same D/A Converter are connected to separate phases of 3-phase power lines. Do not exceed the rated isolation voltage.**

---

# Chapter 4

## Understanding the HP E1328A

### Using This Chapter

This chapter explains techniques to output voltage and current levels using the 4-Channel D/A Converter. This chapter contains the following sections:

- Commands for D/A Converter Operation . . . . . Page 31
- Voltage Output . . . . . Page 32
- Remote Sense . . . . . Page 33
- Current Output . . . . . Page 36
- Querying the D/A Converter . . . . . Page 37

### Commands for D/A Converter Operation

Outputting voltages and currents from the D/A Converter consists of configuring the hardware for the type of output desired, then selecting the output type, level, and mode. When necessary, an electronic adjustment is performed to maintain calibrated mode output accuracy.

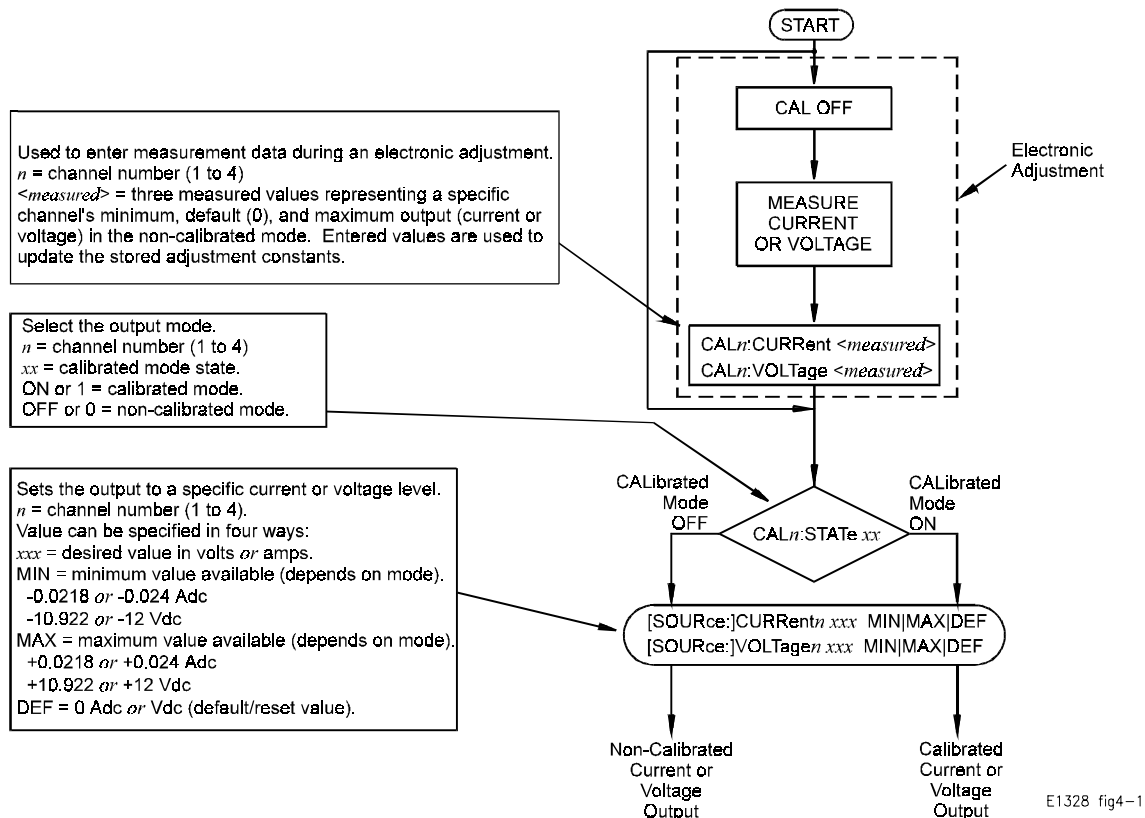


Figure 4-1. D/A Converter Commands

E1328 fig4-1

# Voltage Output

The proper sequence of operation for outputting a voltage from the D/A Converter is provided below. Refer, as necessary, to Chapters 2 and 3 for additional operating information.

1. Determine the number of voltage outputs required, and configure the necessary channel jumpers for voltage (refer to page 17).
2. Connect the output leads to the correct channel V/I + and - terminals (refer to page 18). If extending the output range, connect the required number of channels in series to obtain the desired output (refer to pages 24–25).
3. If remote sensing will be used, connect leads to the S + and - terminals (refer to pages 24–25). If remote sensing will not be used, leave the SENSE terminals disconnected.
4. Verify that the compliance current will not be exceeded by calculating the total circuit resistance using Figure 4-2.
5. Install the D/A Converter in the mainframe and connect the output leads to the load (refer to Chapter 3).
6. Determine if an electronic voltage adjustment is necessary (refer to page 20).
7. Enter and execute the proper instructions to output the desired voltage(s), and the desired mode (refer to pages 23–25).

Compliance Current ( $I_c$ ) is the maximum amount of current from the V/I+ terminal to the V/I- terminal. Maximum  $I_c$  is 24mA for each channel.

Minimum allowable total circuit resistance can be calculated using the following formula:

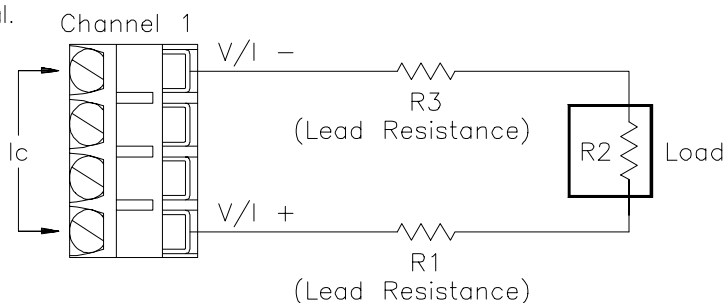
$$R_t = V_{out} / 0.024$$

Where:

$$R_t = \text{total circuit resistance } (R_1 + R_2 + R_3)$$

$V_{out}$  is selected output voltage

For example, if 12Vdc is selected, the maximum total circuit resistance should be at least 500Ω.



**Figure 4-2. Output Voltage Compliance Current**



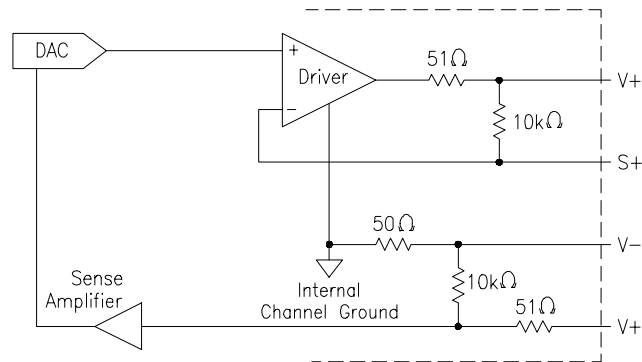
# Remote Sense

In remote sense mode, the D/A Converter measures the actual voltage delivered at the load, then compensates for any difference between the measured value and the selected value. The equivalent output circuit for the D/A Converter using remote sense is shown in Figure 4-3.

---

**Note** Remote sense operation is available for voltage output only. During current output, the SENSE terminals must remain disconnected.

---



**Figure 4-3. Remote Sense Operation**

## Maximum Lead Resistance

When using the D/A Converter to output voltage using remote sensing (refer to pages 24–25), the maximum allowable lead resistance is calculated using the following procedure (refer to Figure 4-3):

1. The driver amplifier's maximum output voltage is less than 19 V (17 V typical) when the load resistance is infinite.
2. The maximum output current available is 24 mA.
3. The maximum load voltage ( $V_{L(max)}$ ) is normally 10.92 V, and never exceeds approximately 12 V. The maximum load voltage is calculated as follows:

$$V_{L(max)} \leq (24mA)(R_{load})$$

4. The maximum voltage drop allowed across the resistance of the leads ( $V_{drop(max)}$ ) is calculated as follows:

$$V_{drop(max)} = 17 - V_{L(max)} - (101\Omega) \left[ \frac{V_{L(max)}}{R_{load}} \right]$$

5. Therefore the maximum allowable lead resistance ( $R_{lead}$ ) is:

$$R_{lead} \leq \frac{V_{drop(max)}}{V_{L(max)}} R_{load}$$

## Operation with Fixed Voltage Sources in Series

If a fixed voltage must be placed in series with the load, connect the voltage source to the V+ lead for the most accurate output. An example of this type of application is shown in Figure 4-4. The emitter follower configuration increases the total available output current.

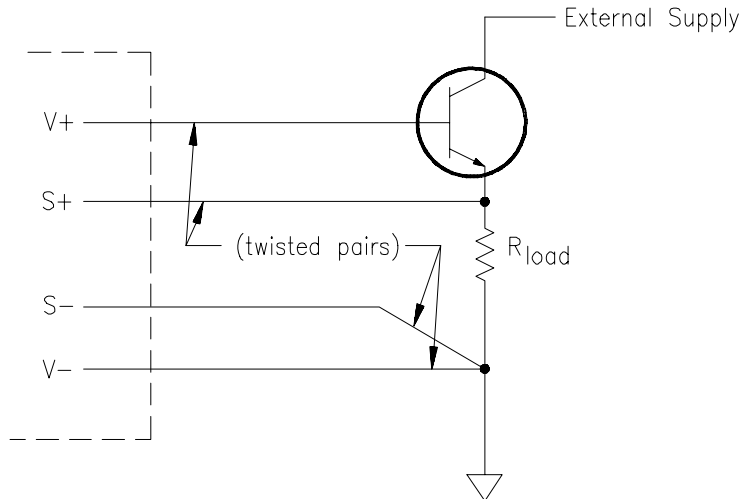


Figure 4-4. Emitter Follower Configuration

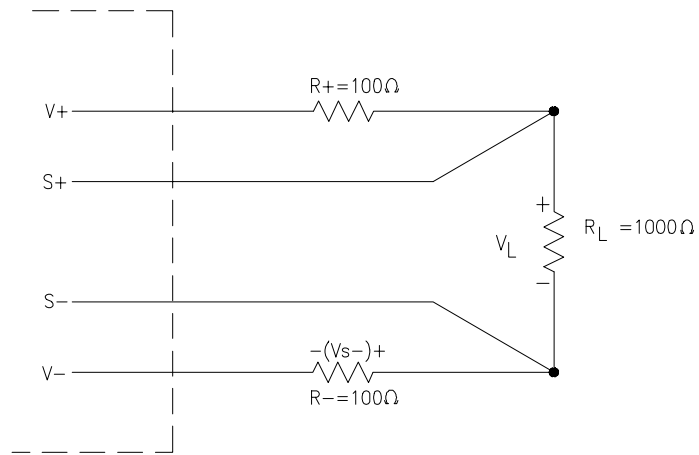
If the fixed voltage source is placed in the V- lead, a small error will occur in the output voltage. An output error of approximately 0.05% of the voltage between V- and S- occurs due to the 51 $\Omega$  protection resistor in series with the S- terminal. This error does not occur if the voltage between V- and S- is due solely to lead resistance, provided that an electronic adjustment has been performed with the same load and lead configuration as under actual operating conditions.

## Adjustment Under Actual Lead and Load Conditions

Whenever possible, perform electronic adjustments with the D/A Converter connected to the leads and load to be used in operation. An electronic adjustment performed under actual operating conditions provides the best output accuracy.

If an electronic adjustment is performed with a different V- lead resistance than that encountered under actual operating conditions, small errors will occur in the output voltage due to the effect of the 51 $\Omega$  protection resistor mentioned in the preceding section, "Operation with Fixed Voltage Sources in Series".

As an example, suppose there was a difference of  $100\Omega$  between the lead resistances used for the electronic adjustment and those encountered under actual operating conditions. This would cause the voltage between V- and S- during electronic adjustment to be different than the voltage between V- and S- under actual operating conditions. The output error produced can be understood by referring to the example shown in Figure 4-5 and the following explanation.



E1328 Fig4-5

**Figure 4-5. Lead Resistance and Electronic Adjustment**

$R_-$  is the change in lead resistance. The difference in voltage drop across  $R_-$  between the electronic adjustment and actual operating conditions is as follows:

$$V_{S-} = V_L \frac{R_-}{R_L}$$

This difference in voltage drop across  $R_-$  is also the change in voltage between V- and S- for electronic adjustment versus actual operating conditions. As discussed in the preceding section, this change in the voltage between V- and S- produces an output error of approximately 0.05% of the voltage between V- and S-. In this case:

$$\begin{aligned} \text{Output Error} &= (0.0005)(V_{S-}) \\ &= (0.0005) V_L \frac{R_-}{R_L} \end{aligned}$$

For the circuit shown in Figure 4-5, the additional output error (caused by the change in lead resistance after electronic adjustment) is 0.005% of the load voltage.

# Current Output

The proper sequence of operation for outputting a current from the D/A Converter is provided below. Refer, as necessary, to Chapters 2 and 3 for additional operating information.

1. Determine the number of current outputs required, and configure the necessary channel jumpers for current (refer to page 17).
2. Connect the output leads to the correct channel V/I + and - terminals (refer to page 18). Do not connect anything to the S + and - terminals. If extending the output range, connect the required number of channels in parallel to obtain the desired output (refer to page 29).
3. Verify that the compliance voltage will not be exceeded by calculating the total circuit resistance using Figure 4-6.
4. Install the D/A Converter in the Mainframe and connect the output leads to the load (refer to Chapter 3).
5. Determine if an electronic current adjustment is necessary (refer to page 26).
6. Enter and execute the proper instructions to output the desired current(s), and the desired mode (refer to pages 29–30).

Compliance Current ( $V_c$ ) is the total voltage drop from the V/I+ terminal to the V/I- terminal. Maximum  $V_c$  is 13V for each channel.

Minimum allowable total circuit resistance can be calculated using the following formula:

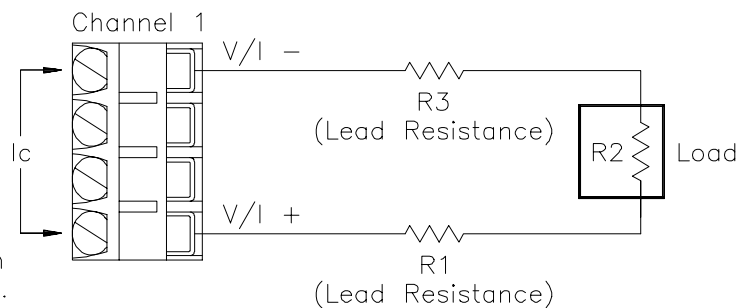
$$R_t = 13.0 / I_{out}$$

Where:

$$R_t = \text{total circuit resistance } (R_1 + R_2 + R_3)$$

$I_{out}$  is selected output current

For example, if 12mA<sub>dc</sub> is selected, the maximum total circuit resistance should not exceed 541.6  $\Omega$ .



**Figure 4-6. Output Current Compliance Voltage**

---

**Note** The compliance current is 24 mA. The maximum short circuit current (e.g.  $R_2 = 0$  in Figure 4-6) is limited to  $\leq 30$  mA by the HP E1328A.

---

## Querying the D/A Converter

This section summarizes the query commands you can use to determine the configuration or state of the D/A Converter. All commands end with the "?" which puts the data into the output buffer where you can retrieve it.

Calibration mode state:	CALibrate $n$ :STATe? ( $n$ = channel number)
Current output level:	SOURce:CURRent $n$ ? ( $n$ = channel number)
Display channel selected:	DISPlay:MONitor:CHANnel?
Display present output setting:	DISPlay:MONitor:STRing?
System error:	SYSTem:ERRor?
V/I jumper position:	SOURce:FUNc $n$ ? ( $n$ = channel number)
Voltage output level:	SOURce:VOLT $n$ ? ( $n$ = channel number)

## *Notes*

---

# Chapter 5

## HP E1328A Command Reference

---

### Using This Chapter

This chapter describes Standard Commands for Programmable Instruments (SCPI) commands and summarizes IEEE 488.2 Common (\*) Commands applicable to the 4-Channel D/A Converter.

- Command Types . . . . . Page 39
- SCPI Command Reference . . . . . Page 41
- CALibration Subsystem . . . . . Page 42
- DISPlay Subsystem . . . . . Page 45
- [SOURce:] Subsystem . . . . . Page 47
- SYSTem Subsystem . . . . . Page 49
- IEEE 488.2 Common Command Quick Reference . . . . . Page 50
- HP E1328A Command Quick Reference . . . . . Page 51

### Command Types

This manual covers two types of commands: IEEE 488.2 Common and SCPI Commands.

#### Common Command Format

The IEEE 488.2 standard defines the common commands that perform functions like reset, self-test, and so on. Common commands are four or five characters in length, always begin with the asterisk character (\*), and may include one or more parameters. The command keyword is separated from the first parameter by a space character. Two common commands are:

\*RST      *and*      \*TST?

#### SCPI Command Format

SCPI commands perform functions like selecting output level, selecting output mode, and querying data. A subsystem command structure is a hierarchical structure that usually consists of a top level (or root) command, one or more lower level sub commands, and their parameters. The following example shows an excerpt from a typical subsystem:

```
[SOURce:]  
VOLTage:n <level>
```

[SOURce:] is the root command, VOLTage:n is the second-level sub command (where *n* is replaced by the channel number in the range of 1 to 4), and <level> is a parameter.

**Command Separator** A colon (:) always separates one command from the next lower-level command as shown below:

DISPlay:MONitor[:STATe] <mode>

**Abbreviated and Short Commands** The command syntax shows most commands as a mix of upper and lower case letters. The upper case letters indicate the abbreviated spelling for the command. For shorter program lines, send only the abbreviated form. For better program readability, you may send the entire command. The instrument accepts either the abbreviated form or the entire command.

For example, if the command reference syntax shows the command SOURce, then SOUR and SOURce are both acceptable forms. Other forms of SOURce, such as SOURC, will generate an error. You may use upper case and lower case letters; SOURCE, source, and SoUrCe are acceptable.

**Implied Commands** Implied commands are those which appear in square brackets ( [ ] ) in the command syntax. **(Note that the brackets are not part of the command and are not sent to the instrument)**. Suppose you send a second-level command but do not send the preceding implied command. In this case, the instrument assumes you intend to use the implied command and it responds as if you had sent it. Examine an excerpt from the [SOURce:] subsystem shown below:

[SOURce:]  
VOLTage?

The root command [SOURce:] is an implied command. To query the instrument about a voltage level set on channel 1, send either of the following commands:

SOUR:VOLT1?    *or*    VOLT1?

**Parameters** Parameters are enclosed in greater than/less than symbols (< >) in the command syntax. When more than one parameter is allowed, the parameters are separated by a vertical line ( | ).

**Parameter Types.** The following table contains explanations and examples of parameter types you might see later in this chapter. Parameters *must* always be separated from the keywords by a space.

Parameter Type	Explanations and Examples
Numeric	Accepts all commonly used decimal representations of numbers including optional signs, decimal points, and scientific notation.  123 or 123E2; -123 or -1.23E2; .123, 1.23E-2, or 1.23000E-01.  Special cases include MINimum, MAXimum, and DEFault.
Boolean	Represents a single binary condition that is either true or false.  1 or ON; 0 or OFF.



## Linking Commands

**Linking IEEE 488.2 Common Commands with SCPI Commands.** Use a semicolon (;) between the commands. For example:

```
*RST;VOLT1?
```

**Linking Multiple SCPI Commands.** Use both a semicolon (;) and a colon (:) between the commands. For example:

```
VOLT1?::CURR2?
```

## SCPI Command Reference

The following sections describe the Standard Commands for Programmable Instruments (SCPI) commands for the HP E1328A 4-Channel D/A Converter Module. Commands are listed alphabetically by subsystem and within each subsystem. A command guide is printed in the top margin of each page. The guide indicates the current subsystem on that page.

The CALibration subsystem selects the mode of operation (calibrated or non-calibrated) under which a specific channel will operate, and is also used to enter updated adjustment constants during electronic adjustment procedures.

## Subsystem Syntax

```
CALibrationn  
:CURRent <measured | MIN | MAX | DEF>  
:STATe <mode>  
:STATe?  
:VOLTage <measured | MIN | MAX | DEF>
```

## CALibrationn:CURRent

---

**CALibrationn:CURRent <measured | MIN | MAX | DEF>** is used to enter a channel's measurement data obtained during an electronic current adjustment. These values are used to update the stored adjustment constants. The three measured values are MINimum (-24mA), DEFault (0mA), and MAXimum (+24mA).

**Note** During an electronic adjustment, the output current must be measured with the channel configured in the non-calibrated mode (CALibrationn:STATe OFF). If the output current is measured in the calibrated mode (CALibrationn:STATe ON), and these measured values are entered using the CALibrationn:CURRent command, output current errors will result when the channel is used in the calibrated mode.

---

## Parameters

Parameter Name	Parameter Type	Range of Values	Default Values
CALibrationn	keyword	1, 2, 3, or 4	1
<measured>	numeric	-0.030 to -0.015 -0.005 to +0.005 +0.015 to +0.030	Amps

- Comments**
- **Channel Number:** Select only one channel at a time.
  - **Related Commands:** [SOURce:]CURRentn, CALibrationn:STATe
  - **Measured Values:** Three values (MIN | DEF | MAX) are measured in the non-calibrated mode, then entered to 5½-digits. Once entered, the D/A Converter calculates and stores new adjustment constants. These stored constants are used to maintain the channel's accuracy in the output current calibrated mode.

### Example Entering Channel 4 Measurement Data.

This command enters the minimum, default, and maximum measured values channel 4 output during an electronic adjustment procedure.

```
CAL4:CURR -0.02359, 0.00012, +0.02405
```

## CALibration $n$ :STATe

---

**CALibration $n$ :STATe** *<mode>* enables or disables the calibrated mode for a specific channel.

### Parameters

Parameter Name	Parameter Type	Range of Values	Default Values
CALibration $n$	keyword	1, 2, 3, or 4	1
<i>&lt;mode&gt;</i>	boolean	0   1   ON   OFF	1   ON

- Comments**
- **Channel Number:** Select only one channel at a time.
  - **Related Commands:** CALibration $n$ :CURRENT, CALibration $n$ :VOLTage, [SOURce:]VOLTage $n$ , [SOURce:]CURRENT $n$
  - **\*RST Condition:** CALibration:STATe 1

### Example Setting Channel 3 to Non-Calibrated Mode.

```
CAL3:STAT OFF
```

*Set channel 3 mode to non-calibrated output.*

## CALibration $n$ :STATe?

---

**CALibration $n$ :STATe?** queries a specific channel about the currently selected mode of operation. 1 (one) indicates operating under calibrated mode, and 0 (zero) indicates operating under non-calibrated mode.

## CALibrationn:VOLTage

---

**CALibrationn:VOLTage** *<measured | MIN | MAX | DEF>* is used to enter a channel's measurement data obtained during an electronic voltage adjustment. These values are used to update the stored adjustment constants. The three measured values are MINimum (-12V), DEFault (0V), and MAXimum (+12V).

---

**Note** During an electronic adjustment, the output voltage must be measured with the channel configured in the non-calibrated mode (CALibrationn:STATe OFF). If the output voltage is measured in the calibrated mode (CALibrationn:STATe ON), and these measured values are entered using the CALibrationn:VOLTage command, output voltage errors will result when the channel is used in the calibrated mode.

---

### Parameters

Parameter Name	Parameter Type	Range of Values	Default Values
CALibrationn	keyword	1, 2, 3, or 4	1
<i>&lt;measured&gt;</i>	numeric	-15.0 to -8.0 -1.0 to +1.0 +8.0 to +15.0	Volts

- Comments**
- **Channel Number:** Select only one channel at a time.
  - **Related Commands:** CALibrationn:STATe, [SOURce:]VOLTage*n*
  - **Measured Values:** Three values (MIN | DEF | MAX) are measured in the non-calibrated mode, then entered to 5½-digits. Once entered, the D/A Converter calculates and stores new adjustment constants. These stored constants are used to maintain the channel's accuracy in the output voltage calibrated mode.

### Example Entering Channel 2 Measurement Data.

This command enters the minimum, default, and maximum measured values channel 2 output during an electronic adjustment procedure.

```
CAL2:VOLT -12.00346, 0.00352, +11.98342
```

The DISPlay subsystem monitors the channel state of a selected module in a mainframe. This command operates with mainframes that have a display, such as the HP E1301A Mainframe.

## Subsystem Syntax

```
DISPlay
:MONitor
:CHANnel <channel | MIN | MAX | DEF | AUTO>
:CHANnel? <channel>
[:STATe] <mode>
:STRing?
```

## DISPlay:MONitor:CHANnel

**DISPlay:MONitor:CHANnel <channel | MIN | MAX | DEF | AUTO>** selects the channel to be monitored when the monitor mode is enabled.

### Parameters

Parameter Name	Parameter Type	Range of Values	Default Values
<channel>	numeric	1 to 4   DEF   MIN   MAX   AUTO	1

- Comments**
- **Selecting Monitor Channel Values:** When using the DISPlay:MONitor:CHANnel command, numbers 1 to 4 select a specific channel to be monitored. In addition to selecting a specific channel, four other values can be entered. DEFault and MINimum selects channel 1, MAXimum selects channel 4, and AUTO activates the automatic mode where the last channel changed is displayed.
  - **Monitor Mode on an HP 1301A Mainframe Display:** Selecting the channel causes the information to be displayed on the mainframe's front panel. The DISPlay:MONitor:STRing? command must be used to display the information on the computer. The following shows the monitor mode display string on the display of an HP E1301A Mainframe:

```
CHAN1 10.00000E01 VOLT, CAL 1
```

The example above shows channel 1, 10 Vdc, in the calibrated mode.

- **Related Commands:** DISPlay:MONitor[:STATe]

### Example Selecting Channel 1 for Monitoring.

```
DISP:MON:CHAN 1
```

## DISPlay:MONitor:CHANnel?

---

**DISPlay:MONitor:CHANnel? <channel>** performs two different functions dependent on if the parameter (<channel>) is used.

**If <channel> is not used (blank):** queries which channel will be displayed when the monitor mode is enabled. -1 indicates operating in automatic mode (displays the last channel changed). 1 through 4 indicates which specific channel will be displayed.

**If <channel> is used (DEF | MIN | MAX):** queries available channel information. DEFault and MINimum always returns 1, and MAXimum always returns 4.

## DISPlay:MONitor[:STATe]

---

**DISPlay:MONitor[:STATe] <mode>** turns the monitor mode on or off.

### Parameters

Parameter Name	Parameter Type	Range of Values	Default Values
<mode>	boolean	0   1   ON   OFF	0   OFF

- Comments**
- The [:STATe] parameter is optional. Therefore, either of the following command statements is valid:  
DISP:MON:STAT ON      *or*      DISP:MON ON
  - **Monitoring Module Channels:** DISPlay:MONitor:STATe ON or DISPlay:MONitor:STATe 1 turns the monitor mode on to show the selected channel state. DISPlay:MONitor:STATe OFF or DISPlay:MONitor:STATe 0 turns the monitor mode off.
  - **Selecting the Channel to be Monitored:** Use the DISPlay:MONitor:CHANnel command to select the channel.
  - **\*RST Condition:** DISPlay:MONitor[:STATe] OFF

### Example Enabling the Monitor Mode.

This command selects monitor mode to on.

```
DISP:MON:STAT 1
```

## DISPlay:MONitor:STRing?

---

**DISPlay:MONitor:STRing?** queries the channel for output information. Channel is selected by the DISPlay:MONitor:CHANnel command, and enabled by the DISPlay:MONitor[:STATe] command. Display string is two 25-character fields separated by a comma.

The [SOURce:] subsystem selects a channels output type (voltage or current), and level.

## Subsystem Syntax

```
[SOURce:]  
CURRentn <level>  
CURRent?  
FUNction?  
VOLTagen <level>  
VOLTagen?
```

## [SOURce:]CURRent*n*

[SOURce:]CURRent*n* <level | MIN | MAX | DEF> configures the D/A Converter to output current on a specified channel (*n*) at a specified level.

### Parameters

Parameter Name	Parameter Type	Range of Values	Default Values
<i>n</i>	numeric	1, 2, 3, or 4	1
<level>	numeric	-0.024 to +0.024   MIN   MAX   DEF	0

- Comments**
- **Channel Number:** Select only one channel at a time.
  - **If a “Settings Conflict” Error Occurs:** See “Selecting Voltage or Current Output” on page 17.
  - **Related Commands:** CALibration*n*:STATe
  - **\*RST Condition:** [SOURce:]CURRent 0

**Example** Setting Channel 2 to Current Output at +20 mAdc.

```
SOUR:CURR2 .020
```

## [SOURce:]CURRent*n*?

[SOURce:]CURRent*n*? queries a specific channel about the currently selected current level on the channel specified by *n*. If the specified channel is configured for voltage, an error will be generated. Output format is as follows:

```
SDDDDDDDESDDD
```

Where: S = + or -  
D = 0 to 9 with floating decimal point  
E = base 100 exponent delimiter

## [SOURce:]FUNCTION*n*?

---

**[SOURce:]FUNCTION*n*?** queries a specific channel about the configuration of the specified V/I jumper in the channel's digital section. Does not indicate V/I jumper position of the two jumpers in the analog section. Returns CURR if the jumper is in the "I" position or VOLT if the jumper is in the "V" position.

### Parameters

Parameter Name	Parameter Type	Range of Values	Default Values
<i>n</i>	numeric	1, 2, 3, or 4	1

**Comments** • **Channel Number:** Select only one channel at a time.

## [SOURce:]VOLTage*n*

---

**[SOURce:]VOLTage*n*** <*level* | MIN | MAX | DEF> configures the D/A Converter to output voltage on a specified channel at a specified level.

### Parameters

Parameter Name	Parameter Type	Range of Values	Default Values
<i>n</i>	numeric	1, 2, 3, or 4	1
< <i>level</i> >	numeric	-12 to +12   MIN   MAX   DEF	0

- Comments**
- **Channel Number:** Select only one channel at a time.
  - **If a "Settings Conflict" Error Occurs:** See "Selecting Voltage or Current Output" on page 17.
  - **Related Commands:** CALibration*n*:STATE, CALibration*n*:VOLTage
  - **\*RST Condition:** [SOURce:]VOLTage 0

**Example** Setting Channel 1 to Voltage Output at +10.000000 Volts.

```
VOLT1 10.000000
```

## [SOURce:]VOLTage*n*?

---

**[SOURce:]VOLTage*n*?** queries a specific channel about the currently selected voltage level on the channel specified by *n*. If the specified channel is configured for current, an error will be generated. Output format is as follows:

```
SDDDDDDDESDDD
```

Where: S = + or -  
D = 0 to 9 with floating decimal point  
E = base 100 exponent delimiter





## IEEE-488.2 Common Command Quick Reference

---

The following table lists the IEEE 488.2 Common (\*) Commands that can be executed by the D/A Converter Module. For more information on Common Commands, refer to the *HP E1300A/E1301A User's Manual*, the *HP E1406A Command Module User's Manual*, or the *ANSI/IEEE Standard 488.2-1987*.

Command	Title	Description
*IDN?	Identification Query	Returns Identification String of the D/A Converter.
*RST	Reset	Performs a 5-second self-test, places 0Vdc/0mAdc on all channels, and then sets the mode of all channels calibrated (ON).
*TST?	Self-Test Query	Returns 0 unless self-test fails.
*OPC	Operation Complete	(See note below).
*OPC?	Operation Complete Query	Returns a 1 if previous operation is complete.
*WAI	Wait to Complete	(See note below).
*CLS	Clear Status Register	Clears all Status Register (see SYSTem:ERRor?).
*ESE	Event Status Enable	(See note below).
*ESE?	Event Status Enable Query	(See note below).
*ESR?	Event Status Register Query	(See note below).
*SRE	Service Request Enable	(See note below).
*SRE?	Service Request Enable Query	(See note below).
*STB?	Read Status Byte Query	(See note below).
*RCL <n>	Recall Saved State	Recalls previously stored D/A Converter Module configuration. <n> indicates location in memory from 0 to 9.
*SAV <n>	Save State	Stores the current D/A Converter Module configuration in memory. <n> indicates location in memory from 0 to 9.

---

**Note** These commands have little or no effect on D/A Converter operation. Refer to the *HP E1300A/E1301A Mainframe User's Manual*, the *HP E1406A Command Module User's Manual*, or the *ANSI/IEEE Standard 488.2-1987* for more information.

---

# HP E1328A Command Quick Reference

The following table summarizes SCPI Commands for the HP E1328A.

## SCPI Commands Quick Reference

Command Subsystem	Command/Parameter	Description
CALibration <i>n</i>	:CURRent < <i>measured</i> > :STATe < <i>mode</i> > :STATe? :VOLTage < <i>measured</i> >	Enters three measured values to update the channel's stored current adjustment constant. Selects mode to calibrated (1) or non-calibrated (0). Returns mode channel is currently operating under. Enters three measured values to update the channel's stored voltage adjustment constant.
DISPlay	:MONitor:CHANnel < <i>channel</i> > :MONitor:CHANnel? < <i>channel</i> > :MONitor[:STATe] < <i>mode</i> > :MONitor:STRing?	Enters the desired channel number to be viewed when in monitor mode (1 to 4 or auto). Returns the presently selected channel number to be viewed when in monitor mode (1 to 4 or auto); or the DEFault, MINimum, or MAXimum available channel number. Selects monitor mode to on (1) or off (0). Returns the selected channel number (1 to 4), output configuration (voltage or current), output level, and mode (calibrated or non-calibrated).
[SOURce:]	:CURRent <i>n</i> < <i>level</i> > :CURRent <i>n</i> ? :FUNCTio <i>n</i> ? :VOLTage <i>n</i> < <i>level</i> > :VOLTage <i>n</i> ?	Sets the specified channel ( <i>n</i> ) to output the specific current level. Returns the current level the specified channel ( <i>n</i> ) is currently set to output. Returns the present position of the V/I jumper in the specified channel's ( <i>n</i> ) digital section. Sets the specified channel ( <i>n</i> ) to output the specific voltage level. Returns the voltage level the specified channel ( <i>n</i> ) is currently set to output.
SYSTem	:ERRor?	Returns the error number/message in the error queue.

## *Notes*

---

# Appendix A

## HP E1328A Specifications

---

### DC Voltage

**Range:**  $\pm 10.92$  V (cal on)  
 $\pm 12$  V (cal off)

### Resolution:

333  $\mu$ V programming interval (cal on)  
16-bit resolution (cal off)  
Monotonic to 2 mV at 25°C

**Accuracy:**  $\pm$  (% of output + volts)

Conditions: cal on, within  $\pm 5^\circ\text{C}$  of cal temperature and same load as at calibration.

24-hour:  $\pm$  (0.05% of output + 3.3 mV)\*

90-day:  $\pm$  (0.15% of output + 29 mV)

1 year:  $\pm$  (0.30% of output + 110 mV)

**Temperature Coefficient:**  $\pm$  (.01% + 0.667 mV)/°C

\*(For loads  $\geq 500 \Omega$ , the maximum additional error due to using a load different than that used for calibration is  $\pm 0.02\%$  of output.)

### Output Current:

Compliance current: 24 mA

Short circuit current:  $\leq 30$  mA

### Differential Ripple and Noise:

$< 2$  mV<sub>rms</sub> in HP 75000 mainframe  
(20 Hz – 250 kHz, 1 k $\Omega$  load)

### Common Mode Noise

(V/I to chassis, 1 k $\Omega$ ):

$< 30$  mV in HP 75000 Mainframe

### DC Current

**Range:**  $\pm 21.8$  mA (cal on)  
 $\pm 24.0$  mA (cal off)

### Resolution:

667 nA programming interval (cal on)  
16-bit resolution (cal off)  
Monotonic to 4  $\mu$ A at 25°C

**Accuracy:**  $\pm$  (% of output + amps)

Conditions: Cal on, within  $\pm 5^\circ\text{C}$  of cal temperature and same load as at calibration.

24-hour:  $\pm$  (0.05% of output + 7  $\mu$ A)

90-day:  $\pm$  (0.15% of output + 59  $\mu$ A)

1 year:  $\pm$  (0.3% of output + 220  $\mu$ A)

**Temperature Coefficient:**  $\pm$  (0.01% + 1.33  $\mu$ A)/°C

### Output Voltage:

Compliance voltage: 13 V

Max open circuit voltage:  $\leq 19$  V

Typical output impedance:  $> 25$  M $\Omega$

### Differential Ripple and Noise:

$< 4$   $\mu$ A<sub>rms</sub> in HP 75000 mainframe  
(20 Hz – 250 kHz, into 100  $\Omega$ )

## General

### Settling Time:

Conditions: single channel, to rated accuracy  
750  $\mu$ s (cal on), 500  $\mu$ s (cal off)

### Isolation:

250 V<sub>rms</sub>, 350 Vdc/ac peak  
(channel-to-channel or chassis)  
15 Vdc/ac, peak (channel-to-sense)

**Max wire size:** 16AWG

**Module Size/Device Type:** B, register-based

**Connectors Used:** P1

**No. Slots:** 1

**VXIbus Interface Capability:** Slave, A16, D16

**Interrupt Level:** None

## Power Requirements:

Voltage: +5 +12

Peak module  
current, IPM (A): 0.40 0.50

Dynamic module  
current, IDM (A): 0.02 0.01

**Watts/Slot:** 6.5

### Cooling/Slot:

0.11 mm H<sub>2</sub>O @ 0.52 liter/sec.

**Humidity:** 65%, 0 to 40°C

**Operating Temperature:** 0 to 55°C

**Storage Temperature:** -40 to 75°C

### EMC, RFI, Safety:

meets FTZ 1046/1984, CSA 556B,  
IEC 348, UL 1244

**Net Weight (kg):** 0.7

# Appendix B

## HP E1328A Register-Based Programming

---

### Using This Appendix

The contents of this appendix are:

- Addressing the Registers . . . . . Page 55
- Register Definitions . . . . . Page 59
- Register Descriptions . . . . . Page 60
- A Register-Based Algorithm . . . . . Page 71
- Programming Examples. . . . . Page 72

### Addressing the Registers

To access a specific register for either read or write operations, the address of the register must be used. Register addresses for the plug-in modules are found in an address space known as VXI A16. The exact location of A16 within a VXIbus master's memory map depends on the design of the VXIbus master you are using; for the HP E1300/1301 Mainframe and HP E1405/E1406 Command Module, the A16 space location starts at  $1F0000_{16}$ <sup>1</sup>.

The A16 space is further divided so that the modules are addressed only at locations above  $1FC000_{16}$  within A16. Further, every module is allocated 64 register addresses ( $40_{16}$ ). The address of a module is determined by its logical address (set by the address switch on the module) times 64 ( $40_{16}$ ). In the case of the D/A Converter module, the factory default address setting is 72 or  $48_{16}$ .

Register addresses for register-based devices are located in the upper 25% of VXI A16 address space. Every VXI device (up to 256) is allocated a 64-byte block of addresses.

Figure B-1 shows the register address location within A16. Figure B-2 shows the location of A16 address space in the HP E1405/E1406 Command Module.

1 The "16" at the end of the address indicates a hexadecimal base number.

## The Base Address

When you are reading or writing to a module register, a hexadecimal or decimal register address is specified. This address consists of a base address plus a register offset. The base address used in register-based programming depends on whether the A16 address space is outside or inside the HP E1405/06 Command Module.

## A16 Address Space Outside the Command Module (on the VXIbus)

When the HP E1405/06 Command Module is not part of your VXIbus system (Figure B-1), the HP E1328's base address is computed as:

$$C000_{16} + (LADDR * 64)_{16}$$

or (decimal)

$$49,152 + (LADDR * 64)$$

where  $C000_{16}$  (49,152) is the starting location of the register addresses, LADDR is the module's logical address, and 64 is the number of address bytes per VXI device. For example, the HP E1328's factory set logical address is 72 ( $48_{16}$ ), therefore it will have a base address of:

$$C000_{16} + (72 * 64)_{16} = C000_{16} + 1200_{16} = D200_{16}$$

or (decimal)

$$49,152 + (72 * 64) = 49,152 + 4,608 = 53,760$$

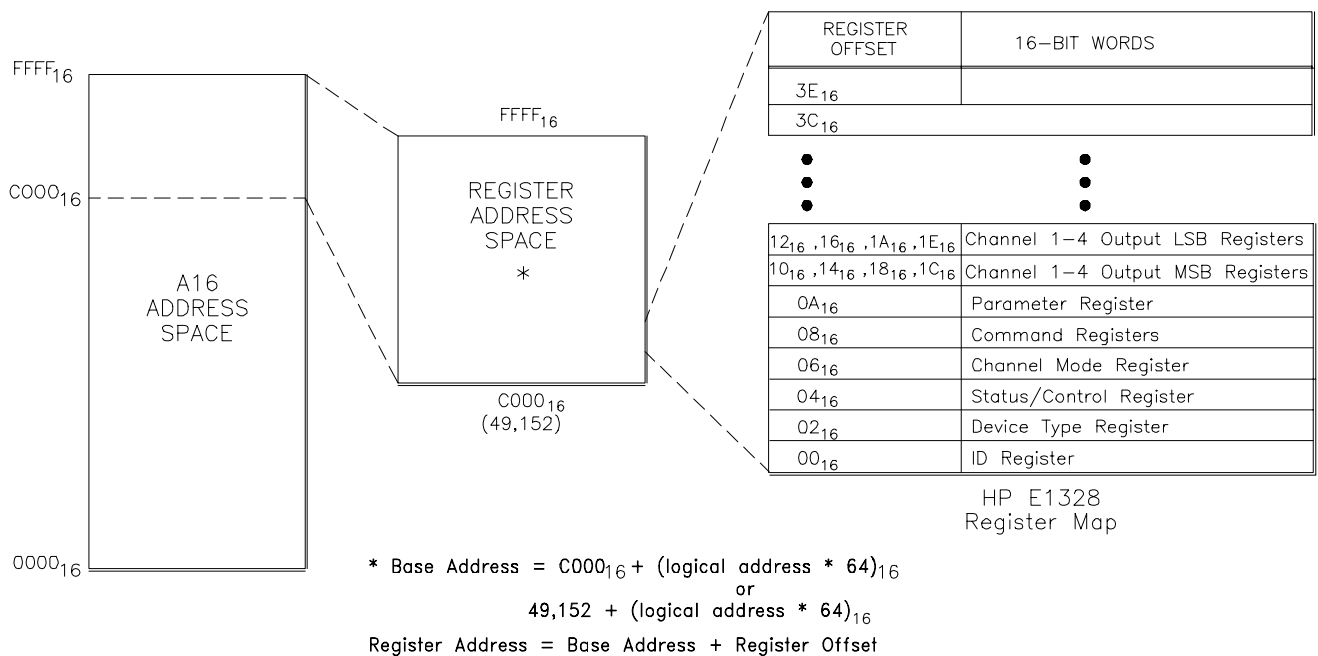


Figure B-1. Register Address Location within A16 Address Space



## A16 Address Space Inside the HP E1405/06 Command Module or HP E1300/01 Mainframe

When the A16 address space is inside the HP E1405/E1406 Command Module (Figure B-2, the module's base address is computed as:

$$1FC000_{16} + (LADDR * 64)_{16}$$

or

$$2,080,768 + (LADDR * 64)$$

where  $1FC000_{16}$  (2,080,768) is the starting location of the VXI A16 addresses, LADDR is the module's logical address, and 64 is the number of address bytes per register-based device. Again, the HP E1328's factory set logical address is 72. If this address is not changed, the module will have a base address of:

$$1FC000_{16} + (72 * 64)_{16} = 1FC000_{16} + 1200_{16} = \mathbf{1FD200_{16}}$$

or

$$2,080,768 + (72 * 64) = 2,080,768 + 4608 = \mathbf{2,085,376}$$

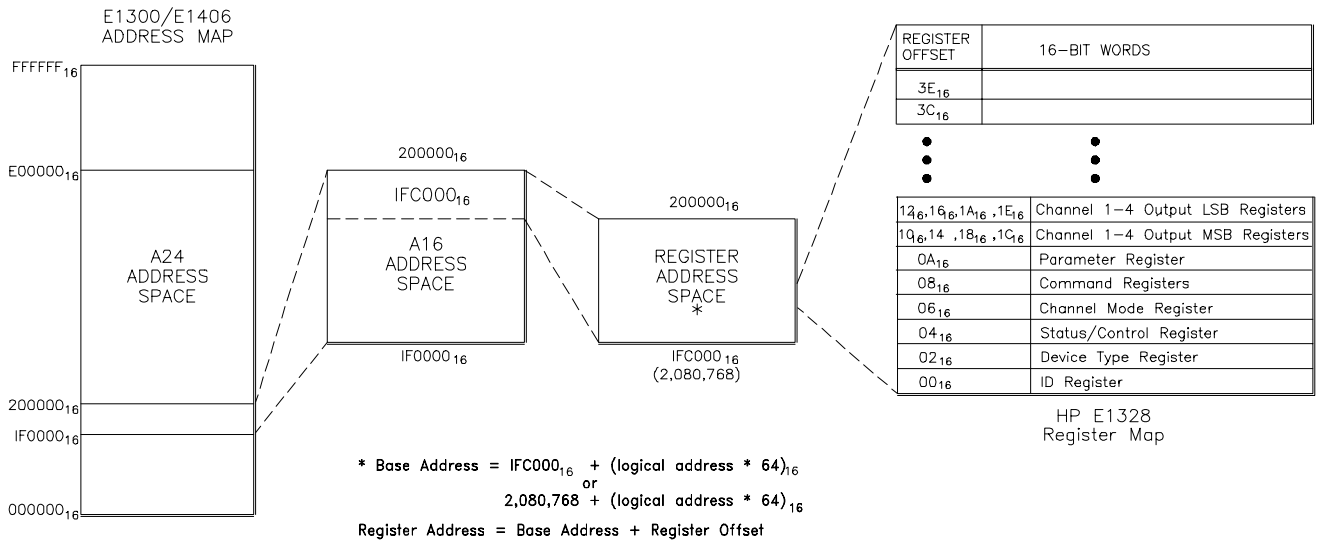


Figure B-2. Address Space in the HP Mainframe and Command Module

## Register Offset

The register offset is the register's location in the block of 64 address bytes that belong to the module. For example, the module's Status/Control Register has an offset of  $04_{16}$ . When you write a command to this register, the offset is added to the base address to form the register address:

$$D200_{16} + 04_{16} = \mathbf{D204_{16}}$$

or

$$53,760 + 4 = \mathbf{53,764}$$

$$2,085,376 + 4 = \mathbf{2,085,380}$$

Table B-1 shows the general programming method for accessing the HP E1328A registers using different computers.

**Table B-1. Accessing the HP E1328A Registers**

Computer	Programming Method	Base Address
HP E1300/01 IBASIC (Absolute Addressing)  (select code 8)	READIO (-9826, Base_addr + offset) WRITEIO -9826, Base_addr + offset; data  (positive select code = byte read or write negative select code = word read or write)  READIO (8, Base_addr + reg number) WRITEIO 8, Base_addr + reg number; data	Base_addr = $1FC000_{16} + (LADDR * 64)_{16}$ or = $2,080,768 + (LADDR * 64)$ offset = register offset (Figure B-2)  Base_addr = $LADDR * 256$ reg number = register offset (Figure B-2)/2
External Computer (over HP-IB to HP E1300/E1301 Mainframe or HP E1405/E1406 Command Module)	VXI:READ? logical_address, offset VXI:WRITE logical_address, offset, data  DIAG:PEEK? Base_addr + offset, width DIAG:POKE Base_addr + offset, width, data	Module logical address setting (LADDR) offset = register offset (Figure B-2)  Base_addr = $1FC000_{16} + (LADDR * 64)_{16}$ or = $2,080,768 + (LADDR * 64)$ offset = register offset (Figure B-2)
V/382 Embedded Computer (C-Size system)	READIO (-16, Base_addr + offset) WRITEIO -16, Base_addr + offset; data  (positive select code = byte read or write negative select code = word read or write)	Base_addr = $C000_{16} + (LADDR * 64)_{16}$ or = $49,152 + (LADDR * 64)$  offset = register offset (Figure B-1)
HP RADI-EPC7 Embedded Computer with SICL	iwpeek((unsigned short *) (base_addr + offset))  iwpoke((unsigned short *) (base_addr + offset), data)	INST device_name; device_name = iopen ("vxi, logical address"); base_addr = imap (device_name, I_MAP_VXIDEV, 0, 1, NULL);
LADDR: HP E1328A logical address = 72 ( $LADDR * 64)_{16}$ : Multiply quantity then convert to a hexadecimal number (e.g. $(72 * 64)_{16} = 1200_{16}$ ) When using DIAG:PEEK? and DIAG:POKE, the width (number of bits) is either 8 or 16.		

# Register Definitions

Table B-2 lists the registers on the HP E1328A 4-Channel D/A Converter Module and whether you can read or write to the registers.

**Table B-2. Register Map**

Register Offset	Definition	High Byte	Low Byte
1E <sub>16</sub>	Channel 4 LSB Output (write only)	ignored	Channel 4 Least Significant Byte (LSB)
1C <sub>16</sub>	Channel 4 MSB Output (write only)	ignored	Channel 4 Most Significant Byte (MSB)
1A <sub>16</sub>	Channel 3 LSB Output (write only)	ignored	Channel 3 LSB
18 <sub>16</sub>	Channel 3 MSB Output (write only)	ignored	Channel 3 MSB
16 <sub>16</sub>	Channel 2 LSB Output (write only)	ignored	Channel 2 LSB
14 <sub>16</sub>	Channel 2 MSB Output (write only)	ignored	Channel 2 MSB
12 <sub>16</sub>	Channel 1 LSB Output (write only)	ignored	Channel 1 LSB
10 <sub>16</sub>	Channel 1 MSB Output (write only)	ignored	Channel 1 MSB
0E <sub>16</sub>		reserved	reserved
0C <sub>16</sub>		reserved	reserved
0A <sub>16</sub>	Parameter Register (read or write to lower byte)	ignored	Parameter Register
08 <sub>16</sub>	Command Register (read or write to lower byte)	ignored	Command Register
06 <sub>16</sub>	Channel Mode Register (read only)	FF <sub>16</sub>	Channel Mode Register
04 <sub>16</sub>	Status/Control Register (read or write to lower byte)	Status/Control Register	Status/Control Register
02 <sub>16</sub>	Device Type Register (read only)	Device Type Register	Device Type Register
00 <sub>16</sub>	Manufacture ID Register (read only)	ID Register	ID Register

# Register Descriptions

The following pages detail register descriptions for the HP E1328A 4-Channel D/A Converter Module.

## Manufacturer ID Register

Reading this register returns FFFF<sub>16</sub>. This shows Hewlett-Packard as the manufacturer and that the module is an A16 register based device.

### Manufacturer ID Register (Read Only)

Base + 00 <sub>16</sub>	15	14	13	12	11	10	9	8	7	6	5	4	3	2	1	0
Write	Undefined															
Read*	Manufacturer ID															

\*Returns FFFF<sub>16</sub> = Hewlett-Packard A16 only register-based.

## Device Type Register

Reading this register returns FF7F<sub>16</sub>. This shows that the device is an HP E1328A 4-Channel D/A Converter Module.

### Device Type Register (Read Only)

Base + 02 <sub>16</sub>	15	14	13	12	11	10	9	8	7	6	5	4	3	2	1	0
Write	Undefined															
Read	1	1	1	1	1	1	1	1	0	1	1	1	1	1	1	1

## Status/Control Register

Eleven 1-bit fields provide information on equipment and operational status. Refer to the register definitions and the following explanation for Status/Control Register information.

### Status/Control Register (Read/Write)

Base + 04 <sub>16</sub>	15	14	13	12	11	10	9	8	7	6	5	4	3	2	1	0
Write	-	-	-	-	-	-	-	-	-	-	-	-	-	-	SFI	SR
Read	1	1	1	1	S4	S3	S2	S1	DON	ER*	IE*	CF*	READY	PAS	1	C/P RDY

**C/P RDY:** (Ready - bit 0). A one (1) in this field indicates that the D/A Converter's data buffer is empty and that data may be written to registers 08<sub>16</sub> through 1E<sub>16</sub>. Note: This bit was formerly called RDY.

### Note

This bit must be checked before writing to registers 08<sub>16</sub> through 1E<sub>16</sub> (except the RESTART command).

## Status Bit Precedence

In addition to bit 0 indicating the DAC ready condition, bit 0 also determines the validity of bits 6 - 11. When bit 0 is cleared (0), bits 6 - 11 may be invalid. Therefore, when monitoring bits 6 - 11, that bit AND bit 0 must both be true.

**PAS:** (Passed - bit 2). A zero (0) in this field indicates that the D/A Converter is either executing, or has failed a self test. A one (1) indicates that the self test has successfully completed.

**READY:** (Ready - bit 3). A zero (0) in this field in combination with a one (1) in the PAS field indicates that the D/A Converter is executing an extended self test. Note: This bit was formerly called EX\* (Extended (not)).

**CF\*:** (Checksum-failure (not) - bit 4). A zero (0) in this field indicates that the D/A Converter's stored adjustment constants did not have the correct checksum, and may be incorrect.

---

### Note

If CF\* is asserted, it is recommended that each channel be calibrated in both voltage and current modes before using the D/A Converter in the calibrated mode.

---

**IE\*:** (Internal-exception (not) - bit 5). A zero (0) in this field indicates that the D/A Converter has encountered an error in executing its program. To clear the error, perform the steps below.

1. Write correct CAL-ON/CAL-OFF commands to each channel.
  2. Write correct output data to each channel (ignore the state of the settle bits).
  3. Issue a RESTART command.
  4. When IE\* is one (1), repeat steps 1 and 2.
  5. If this procedure fails, perform a soft reset.
- 

### Note

Performing a soft reset (SR) will zero all outputs, cause the D/A Converter to execute a self-test, and assert the SYSFAIL line. Therefore, it is recommended that the SFI bit be set before performing a soft reset to avoid halting mainframe operations.

---

**ER\*:** (Error (not) - bit 6). A zero (0) in this field indicates that an error has occurred in executing a command. The error condition is cleared on receipt of another command. The recommended way of clearing the error condition is by sending the NULL command. Channel output operations have no effect on this bit.

**DON:** (Done - bit 7). A one (1) this field indicates that the previous command has been completed. Writing to the Command Register (08<sub>16</sub>) when this bit is zero (0) may abort the command in progress. Channel output operations have no effect on this bit.

**S1 through S4:** (Settle Flags - bits 8 to 11). A one (1) in one of these fields indicates that the corresponding channel output is stable. A zero (0) indicates that the channel output is or will be changing. Writing to a channel when its settle flag is low (0) could corrupt the output data.

**SR:** (Soft Reset - bit 0). Writing a one (1) causes the D/A Converter to enter a reset state. Channel output data will be lost and all pending commands will be terminated. Registers 08<sub>16</sub> through 1E<sub>16</sub> cannot be accessed when Soft Reset is set. The D/A Converter will be held in the reset condition until a zero (0) is written to the SR bit, at which time the power-on self test and start-up sequence will be executed. It is recommended that the SR bit remain high for >200 msec.

---

**CAUTION**

Only perform a soft reset if the "RESTART" command fails (see "Command and Parameter Registers" later in this appendix). This is because when the D/A Converter is soft reset, power is removed from the output channels, and the output state during power-down is indeterminate.

---

**SFI:** (SysFail Inhibit - bit 1). Writing a one (1) inhibits the assertion of the SYSFAIL line on the backplane.

## Channel Mode Registers

V1 through V4 (bits 0 to 3). A one (1) in any of these bits indicates that the corresponding channels digital section V/I jumper is configured to operate in voltage output mode. A zero (0) indicates current output mode. Configuration of the channel's two analog section V/I jumpers are not indicated; therefore, it is essential that all three V/I jumpers match for each channel.

### Channel Mode Register (Read Only)

Base + 06 <sub>16</sub>	15	14	13	12	11	10	9	8	7	6	5	4	3	2	1	0
Write	Undefined															
Read	1	1	1	1	1	1	1	1	1	1	1	1	V4	V3	V2	V1

## Channel Output Registers

Eight registers (two per channel) allow output value to be set. Two writes are required to set each channel. Refer to the register definitions and the following explanation for Channel Output Register information.

### Channel Output MSB Registers (Write Only)

Base + *	15	14	13	12	11	10	9	8	7	6	5	4	3	2	1	0
Write	Ignored								MSB value							
Read	Undefined															

\*base + 10<sub>16</sub> for channel 1, base + 14<sub>16</sub> for channel 2, base + 18<sub>16</sub> for channel 3, or base + 1C<sub>16</sub> for channel 4.

### Channel Output LSB Registers (Write Only)

Base + *	15	14	13	12	11	10	9	8	7	6	5	4	3	2	1	0
Write	Ignored								LSB value							
Read	Undefined															

\*base + 12<sub>16</sub> for channel 1, base + 16<sub>16</sub> for channel 2, base + 1A<sub>16</sub> for channel 3, or base + 1E<sub>16</sub> for channel 4.

The procedure for setting or changing an output level is as follows:

1. Determine the output data. The required value is a 16-bit number in offset binary. FFFF<sub>16</sub> represents positive full scale, 0000<sub>16</sub> is negative full scale, and 8000<sub>16</sub> is zero. Calibrated output modes provide "3 counts per 1 mV" or "3 counts per 2µA" (1.5 counts per 1µA) resolution.

For example, to program 100mV, multiply 100 by 3 (= 300 decimal, or 12C<sub>16</sub>). Add this to 8000<sub>16</sub> to get the output data (812C<sub>16</sub>). For negative output values, subtract from 8000<sub>16</sub> instead of adding. Or, to program 2500µA, multiply 2500 by 1.5 and add 8000<sub>16</sub>.

2. Poll the Status/Control Register until C/P RDY is one (1).
3. Verify that the selected channel's Status/Control Register settle bit is one (1).

4. Write the selected channel's Most Significant Byte (MSB) in bits 0-7 (register 10<sub>16</sub>, 14<sub>16</sub>, 18<sub>16</sub>, or 1C<sub>16</sub>).
5. Poll the Status/Control Register until C/P RDY is one (1).
6. Write the selected channel's Least Significant Byte (LSB) in bits 0-7 (register 12<sub>16</sub>, 16<sub>16</sub>, 1A<sub>16</sub>, or 1E<sub>16</sub>). Writing to an LSB Register will cause the corresponding channel to be updated.

**Note** The output is not changed until the LSB is received. If the MSB has not changed from the previous entry, you need only send the LSB.

For example, to program +100 mVdc on channel 4:

1. Multiply 100 by 3 (= 300 decimal, or 12C<sub>16</sub>). Add this to 8000<sub>16</sub> to get the output data (= 33068 decimal, 100 0001 0010 1100 binary, or 812C<sub>16</sub>).
2. Enter MSB (1000 0001 binary, 81<sub>16</sub>) in channel 4 MSB Register 1C<sub>16</sub> low byte.
3. Enter LSB (0010 1100 binary, 2C<sub>16</sub>) in channel 4 LSB Register 1E<sub>16</sub> low byte.

## Command and Parameter Registers

Seven commands control equipment operation using the 08<sub>16</sub> register. Three of these commands have parameters used to enter data in the 0A<sub>16</sub> register. Refer to the register definitions and the following explanation for Command and Parameter Register information.

### Command Register (Write)

Base + 08 <sub>16</sub>	15	14	13	12	11	10	9	8	7	6	5	4	3	2	1	0
Write	Ignored								Null, Cal-on/off, Calibrate, Checksum, Zero-all, Restart							
Read	Undefined															

### Parameter Register (Write)

Base + 0A <sub>16</sub>	15	14	13	12	11	10	9	8	7	6	5	4	3	2	1	0
Write	Ignored								Calibrate, Checksum, and Restart							
Read	Undefined															



The procedure for sending a command is as follows:

1. Poll the Status/Control Register until both DON and RDY are asserted (1).
2. Write the Command byte to the Command Register (08<sub>16</sub>). If the command is invalid (and DONE is true again), ER\* will be zero (0). The command will not be executed until all required parameters (if any) have been received. If the command is CALIBRATE, CHECKSUM or RESTART, enter parameters as follows:
3. Poll the Status/Control Register until C/P RDY is asserted (1).
4. Write a Parameter byte to the Parameter Register (0A<sub>16</sub>).
5. Repeat steps 3 and 4 as required to send all parameters.

---

**Note**

The D/A Converter channel number physical markings and SCPI commands are numbered from 1 to 4, but for register-based programming the channels are numbered 0 to 3, respectively.

---

Commands referencing higher channel numbers than 3 will be ignored, and the ER\* bit will be set to one (1) after receipt of the final parameter. In the command formats given, **xxx**= don't care, **cccc**= channel number from 0 to 3, **b** = binary, and <sub>16</sub> = hex.

**NULL:** Resets the ER\* bit of the Status/Control Register and terminates any pending command. The NULL command does not have a parameter. Command format is as follows:

0000xxx<sub>b</sub> or 0x<sub>16</sub>.

**CAL-OFF:** Disables gain and offset adjustment for the indicated channel, providing greater speed and output range, but less accuracy. The CAL-OFF command does not have a parameter. Command format is as follows:

0010cccc<sub>b</sub> or 2c<sub>16</sub>

For example, the command 00100000<sub>b</sub> or 20<sub>16</sub> sets channel 1 mode to non-calibrated (CAL-OFF).

**CAL-ON:** Enables gain and offset adjustment for the indicated channel, providing greater accuracy, but less speed and output range. The CAL-ON command does not have a parameter. Command format is as follows:

0011cccc<sub>b</sub> or 3C<sub>16</sub>

For example, the command 00110001<sub>b</sub> or 31<sub>16</sub> sets channel 2 mode to calibrated (CAL-ON).

**CHECKSUM:** Checksums the stored adjustment constants for the specified channel, and sets the ER\* bit accordingly. ER\* is asserted (low) if checksum is bad, and deasserted (high) if good. The CHECKSUM parameter bit (m) is 0 to check current mode constants, and 1 to check voltage mode constants. The state of the D/A Converter module's V/I jumpers is ignored. Command format (register 08<sub>16</sub>) is as follows:

0101cccc<sub>b</sub> or 5C<sub>16</sub>

Parameter format (register 0A<sub>16</sub>) is as follows (m is parameter):

0000000m<sub>b</sub> or 0m<sub>16</sub>

For example, the Command 01010010<sub>b</sub> or 52<sub>16</sub> (08<sub>16</sub> Register) and Parameter 00000001<sub>b</sub> or 01<sub>16</sub> (0A<sub>16</sub> Register) performs a checksum on the adjustment constant for channel 3 voltage.

**ZERO-ALL:** Writes (uncalibrated) zero to all channels as quickly as possible. The ZERO-ALL command does not have a parameter. Command format is as follows:

10101010<sub>b</sub> or AA<sub>16</sub>

**RESTART:** This command is used to recover from AC FAIL and IE\* conditions. Command format is as follows:

11110000<sub>b</sub> or F0<sub>16</sub>

Parameter format is as follows (fixed parameter):

11110111<sub>b</sub> or F7<sub>16</sub>

**CALIBRATE:** Used to change a channel's stored voltage and/or current adjustment constant. The state of the channel's V/I jumpers determines which constant is entered. These constants are used by the D/A Converter to maintain the required output accuracy when in the calibrated mode.

The CALIBRATE command and parameter are used to enter new offset, gain, and checksum values. These values are calculated from actual channel output measurements, then entered into the Parameter Register.

Command format (register 08<sub>16</sub>) is as follows:

0100cccc<sub>b</sub> or 4c<sub>16</sub>

Parameter format (register 0A<sub>16</sub>) consists of seven bytes as follows:

- Offset high byte
- Offset low byte
- Gain high byte
- Gain second byte
- Gain third byte
- Gain low byte
- Checksum byte

The procedure to perform an electronic adjustment on a channel is as follows:

1. Configure the selected channel's V/I jumpers to voltage or current as required (refer to page 17).
2. Connect the load and a precision multimeter to the selected channel's V/I output terminals. Configure the multimeter for voltage or current as required.
3. Change the selected channel mode to CAL-OFF.
4. Output the value 0000<sub>16</sub> (minimum) and measure the resulting voltage or current. Record the measured value as ym.
5. Output the value 8000<sub>16</sub> (default or reset) and measure the resulting voltage or current. Record the measured value as yo.
6. Output the value FFFF<sub>16</sub> (maximum) and measure the resulting voltage or current. Record the measured value as yp.
7. Calculate the offset (J) and gain (K) constants using the equations given below. The equations must be calculated using double precision floating point arithmetic. (A sample program (in C) to compute the J, K, and checksum (steps 7 to 8) is listed below.) If the sample program is used, proceed to step 9.

Calculate b<sub>0</sub> and b<sub>1</sub> as follows:

$$b_0 = \frac{ad - eq}{dp - cq} \text{ and } b_1 = \frac{ep - ac}{dp - cq}$$

where:

$$\begin{aligned}w &= 3.65 \\y_m &= \text{measured value in step 4} \\y_o &= \text{measured value in step 5} \\y_p &= \text{measured value in step 6} \\a &= (y_m) + (w)(y_o) + (2^{16} - 1)(y_p) \\p &= w+2 \\c=q &= (2^{15})(w) + 2^{16} - 1 \\d &= (2^{30})(w) + 2^{32} - 2^{17} + 1\end{aligned}$$

Calculate J and K as follows:

$$k = 2^{32} \left[ 1 - \frac{R}{(2^{15}-1)(b_1)} \right]$$
$$J = \frac{-bo}{b_1} + \frac{k}{2^{17}} - 2^{15}$$

where: R= 10.92233 for volts  
0.02184467 for current

K should be rounded to a 32 bit unsigned integer. Use the rounded value of K to compute J. Round J to the nearest integer and express in 8-bit two's complement form.

NOTE: For maximum speed, precompute the actual output data using the following equation, and operate the HP E1328A in uncalibrated mode:

$$y = J + x - \left\{ \frac{k \times x}{2^{32}} \right\}$$

where: x = desired output code (calculated as shown under "Channel Output Registers" on page 63) and y = value actually sent to the HP E1328A.

8. Compute a checksum by adding the 6 bytes representing J and K (on an 8-bit wide basis) and taking the two's complement of the result. (Checksum is defined to be that number which causes all seven bytes to sum to zero in byte-wide arithmetic.)

For example (in hex), if offset (J) is 0B 7C and gain (K) is 16 F8 F2 1A (as calculated in step 6), then checksum would be 5F.

9. Use the CALIBRATE command and parameter to load J, K and the checksum into the D/A Converter's memory.

For example (using hex example values in step 8), entering the following calculated offset (J), gain (K), and checksum for channel 4

is as follows:

00110011<sub>b</sub> or 33<sub>16</sub> (register 08<sub>16</sub>)

instructs channel 4 to accept the following data entries.

The seven parameters (register 0A<sub>16</sub>) are entered as follows:

0B<sub>16</sub> is high 8 bits of calculated offset (J).

7C<sub>16</sub> is low 8 bits of calculated offset (J).

16<sub>16</sub> is high 8 bits of calculated gain (K).

F8<sub>16</sub> is second 8 bits of calculated gain (K).

F2<sub>16</sub> is third 8 bits of calculated gain (K).

1A<sub>16</sub> is low 8 bits of calculated gain (K).

5F<sub>16</sub> is calculated check sum.

10. Change the selected channel mode to CAL-ON.

11. If desired, check that the constants have been loaded correctly by outputting 8000<sub>16</sub> and verifying that the channel output is zero 24 hour accuracy for voltage or current (see Appendix A).

### Sample Program

The following is a sample program written in C to calculate J, K, and checksum. “ym, yo, and yp” (from steps 4-6 on page 67) are measured and entered. Note, the program does not prompt for the value of *w*, the default value of 3.65 is used.

```
/* This program demonstrates a weighted least-squares approach to determining DAC calibration constants.
```

```
ym = (uncalibrated) negative full-scale output value
```

```
yp = positive full-scale output
```

```
y0 = uncalibrated zero
```

```
w = weighting factor for relative importance of zero
```

```
    w = 3.65 is the recommended weighting factor
```

```
    w = 1 yields conventional least-squares algorithm
```

```
The DAC characteristic is modeled as  $y = b1 * x + b0$ .
```

```
The coefficients b1 and b0 are used to calculate the actual calibration constants, J and K. */
```

```
dac_line(yp, y0, ym, w, b1, b0)
```

```
double yp, y0, ym, w, *b1, *b0;
```

```
{
```

```
double u[2], M[2][2], N[2][2], d;
```

```
u[0] = ym + w * y0 + yp;
```

```
u[1] = w * 0x8000 * y0 + 0xFFFF * yp;
```

```
M[0][0] = w + 2;
```

```
M[0][1] = 0x8000 * w + 0xFFFF;
```

```
M[1][0] = M[0][1];
```

```
M[1][1] = w * (double)(0x8000) * 0x8000 + (double)(0xFFFF) * 0xFFFF;
```

```
d = M[0][0]*M[1][1] - M[0][1]*M[1][0];
```

```
N[0][0] = M[1][1] / d;
```

```
N[0][1] = - M[0][1] / d;
```

```

N[1][0] = - M[1][0] / d;
N[1][1] = M[0][0] / d;
*b0 = N[0][0]*u[0] + N[0][1]*u[1];
*b1 = N[1][0]*u[0] + N[1][1]*u[1];
return;
}
main()
int i, Jint;
double yp, y0, ym, b1, b0, w, J, K, Rx;
unsigned long Kint, checksum;
char string[81];
w=3.65; /* may be changed if desired */
printf("\nEnter yp, y0, ym (in Volts or Amps)\n"); /* prompt for data */
gets(string);
sscanf(string,"%lf, %lf, %lf",&yp,&y0,&ym);
dac_line(yp,y0,ym,w,&b1,&b0); /* find best fit line */
printf("\nCoefficients of best-fit line, using w = %g:\n",w);
printf("\tb1 = %g\n",b1);
printf("\tb0 = %g\n",b0);
/* compute cal constants from best fit line */
if(yp=1) Rx = 10.92233; /* voltage case */
else Rx = .02184467; /* current case */
K = 1.0 - ( Rx / ( 0x7fff * b1));
K *= 4.0 * 0x8000 * 0x8000; /* mult by 2^32 */
Kint = K + .5; /* round to integer */
J = -b0/b1 - 0x8000;
J += ((double)Kint)/(4.0*(double)0x8000); /* divisor is 2^17 */
if(J=(double)0.0) Jint = J +.5; /* round to integer */
else Jint = J -.5; /* J is negative */
/* compute an eight bit checksum */
checksum = Jint & 0xff;
checksum += Jint>8 & 0xff;
for(i=0;i<=3;i++) checksum += ( Kint>(i*8) ) & 0xff;
checksum ^= -1; checksum += 1; /* two's complement */
checksum &= 0xff; /* truncate to eight bits */
printf("\nCalibration constants are as follows for Rx = %g:\n",Rx);
printf("\tJ = %04x h\n",Jint); printf("\tK = %8lx h\n",Kint);
printf("\tchecksum = %02lx h\n",checksum);
}

```

# A Register-Based Algorithm

The following algorithm describes the procedure you would use to program the registers on the HP E1328A D/A Converter module to output either a voltage or a current.

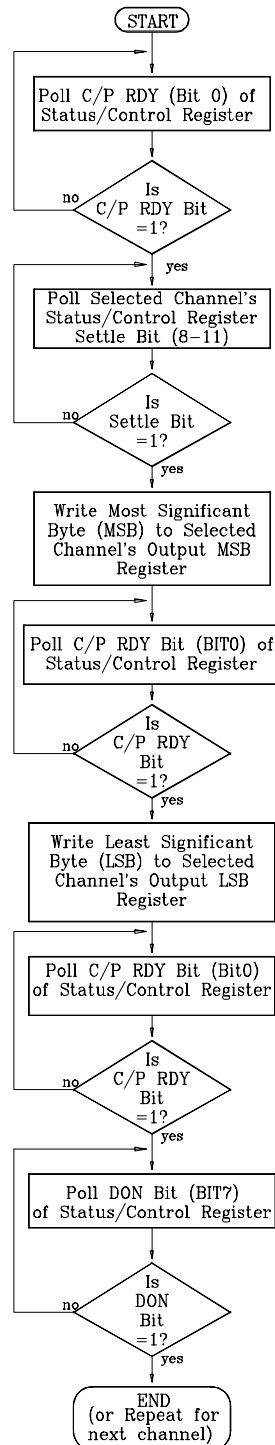


Figure B-3. Register-Based Programming Algorithm

# Programming Examples

The examples in this section demonstrate how to program the module at the register level. The programs follow the algorithm described in a previous section. The examples include:

- Resetting the Module
- Reading the ID, Device Type, and Status Registers
- Outputting a Voltage or Current

## System Configuration

The following example programs were developed with the module at logical address 72.

- The HP BASIC programs were developed using the HP E1300 mainframe Series B HP IBASIC language.
- The C language programs were developed on an HP Vectra PC (IBM PC compatible) using Borland's Turbo C++<sup>®</sup> programming language, the HP 82335 HP-IB Interface and HP-IB Command Library. The last C language programming example was developed on the HP RADI-EPC7 Embedded Controller.

## Resetting the Module

The following program resets the HP E1328A D/A Converter module. The process is as follows:

1. Write a "2" to the Status/Control Register to set SFI high.
2. Write a "3" to the Status/Control Register to keep the SFI bit high and set the reset bit.
3. Wait 200 mS.
4. Write a "2" to the Status/Control Register to keep the SFI bit high and zero the reset bit.
5. Wait 100 mS.
6. Write a "0" to the Status/Control Register.

## HP IBASIC Version

```
10 Base_addr = DVAL("1FD200",16) !Logical Address 72.
20 Reg_addr = 04 !Offset for Status Control Register.
30 ! Write a 2 then a 3 to the Status Register.
40 WRITEIO -9826, Base_addr + Reg_addr; 2
50 WRITEIO -9826, Base_addr + Reg_addr; 3
60 WAIT .2 ! wait 200 mS.
70 WRITEIO -9826, Base_addr + Reg_addr; 2
80 WAIT .1 ! wait 100 mS.
90 WRITEIO -9826, Base_addr + Reg_addr; 0
100 END
```



## C Version

```
/* reset the module */
#include <stdio.h>
#include <chplib.h>
#include <dos.h>

#define LOG_ADDR 72                /* HP E1328A Logical Address */
#define BASE_ADDR (long) ((0x1FC000) + (64 * LOG_ADDR))

/* function to send values to the Status Register */
void send_value (int base_address, int data_value)
{
    float    send_data[3], read;
    char    state[2] = {13,10};
    send_data[0] = base_address + 4;    /* Status Register offset */
    send_data[1] = 16;                /* base 16 */
    send_data[2] = data_value;        /* data value sent to the register */

    IOEOI (7L, 0); IOEOL (7L, " ", 0);    /* HP-IB library call */
    IOOUTPUTS (70900L, "DIAG:POKE ", 10); /* HP-IB library call */
    IOEOI (7L, 1); IOEOL (7L, state,0);    /* HP-IB library call */
    IOOUTPUTA (70900L, send_data, 3);    /* HP-IB library call */
}

main ()
{
    send_value(BASE_ADDR, 2);
    send_value(BASE_ADDR, 3);
    delay (200);                /* wait 200 mS (delay is unique
                                to Borland Turbo C++) */

    send_value(BASE_ADDR, 2);
    delay (100);                /* wait 100 mS */
    send_value(BASE_ADDR, 0);
return 0;
}
```

## Reading the ID, Device Type, and Status Registers

### HP IBASIC Version

The following examples read the ID, Device Type, and Status/Control Registers.

```

10  !*****
20  !*****          READREG          *****
30  !*****

40  ! OPTION BASE 0 is default.
50  ! Set up arrays to store register names and addresses.
60  DIM Reg_name$(0:2)[32], Reg_addr(0:2)
70  !
80  ! Read register names and addresses into the arrays.
90  READ Reg_name$(*)
100 READ Reg_addr(*)
110 !
120 ! Set base Address variable.
130 Base_addr = DVAL ("1FD200",16)
140 !
150 ! Map the A16 address space.
160 !
170 ! CONTROL 16,25;2 ! used only with V360 Controller.
180 ! Call the subprogram Read_regs.
190 Read_regs(Base_addr, Reg_name$(*),Reg_addr(*))
200 !
210 DATA Identification Register, Device Register, Status Register
220 DATA 00, 02, 04
230 END
240 ! This subprogram reads each register and prints its contents.
250 SUB Read_regs(Base_addr, Reg_name$(*),Reg_addr(*))
260 FOR Number = 0 to 2
270 Register = READIO(-9826,Base_addr + Reg_addr(number))
280 PRINT Reg_name$(number);" = "; IVAL$(Register, 16)
290 NEXT Number
300 SUBEND

```

This program returns:

```

ID Register = FFFF
Device Type Register = FF7F
Status/Control Register = (dependent on current status, default is FFFF)

```

## C Version

```
#include <stdio.h>
#include <chplib.h>
#include <cfunc.h>

#define LOG_ADDR 72
#define BASE_ADDR (long) ((0x1FC000) + (64 * LOG_ADDR))

main()
{
    int reg_addr;
    float send_data[3], read;
    char state[2] = {13,10};
    send_data[1] = 16;
    send_data[2] = 0;

    /* Read ID Register */
    send_data[0] = BASE_ADDR + 0;
    IOEOI (7L, 0); IOEOL (7L, , 0);          /* HP-IB library call */
    IOOUTPUTS (70900L, "DIAG:PEEK? ", 11); /* HP-IB library call */
    IOEOI (7L, 1); IOEOL (7L, state, 2);    /* HP-IB library call */
    IOOUTPUTA (70900L, send_data, 2);      /* HP-IB library call */
    IOENTER(70900L, &read);                /* HP-IB library call */
    printf("\nIdentification Register = %0x,(int)read); /* print ID Register */
    /* Read Device Type Register */
    send_data[0] = BASE_ADDR + 2;
    IOEOI (7L, 0); IOEOL (7L, , 0);          /* HP-IB library call */
    IOOUTPUTS (70900L, "DIAG:PEEK? ", 11); /* HP-IB library call */
    IOEOI (7L, 1); IOEOL (7L, state, 2);    /* HP-IB library call */
    IOOUTPUTA (70900L, send_data, 2);      /* HP-IB library call */
    IOENTER(70900L, &read);                /* HP-IB library call */
    printf("\nDevice Register = %0x,(int)read); /* print Device Register */
    /* Read Status Register */
    send_data[0] = BASE_ADDR + 4;
    IOEOI (7L, 0); IOEOL (7L, " ", 0);      /* HP-IB library call */
    IOOUTPUTS (70900L, "DIAG:PEEK? ", 11); /* HP-IB library call */
    IOEOI (7L, 1); IOEOL (7L, state, 2);    /* HP-IB library call */
    IOOUTPUTA (70900L, send_data, 2);      /* HP-IB library call */
    IOENTER(70900L, &read);                /* HP-IB library call */
    printf("\nStatus Register = %0x", (int)read); /* print Status Register */
    return 0;
}
```

## Outputting a Voltage or Current

For specific information on setting or changing the output levels, see the sections titled “Channel Output Registers” on page 63 and “A Register-Based Algorithm” on page 71. Voltage or current mode is jumper selected on the module; it is not possible to select either the voltage or current mode by register programming. Ensure the proper mode is selected before writing data to the module.

The following examples set the D/A Converter Channel 1 to output +100mVdc. First determine the output data. The required value is a 16-bit number in offset binary.  $FFFF_{16}$  represents positive full scale,  $0000_{16}$  is negative full scale, and  $8000_{16}$  is zero. Calibrated output modes are arranged to provide "3 counts per 1 mV" resolution.

For our example, to program 100 mV, multiply 100 by 3 (= 300 decimal, or  $12C_{16}$ ). Add this to  $8000_{16}$  to get the output data ( $812C_{16}$ ). (For negative output values, subtract from  $8000_{16}$  instead of adding).  $81_{16}$  is the MSB and  $2C_{16}$  is the LSB. Writing to the LSB Register causes the corresponding channel to output the specified voltage or current.

### HP IBASIC Version

```
10 Base_addr = DVAL("1FD200",16)
20 Msb_addr = DVAL("10",16)           ! Channel 1 MSB Register offset.
30 Lsb_addr = DVAL("12",16)         ! Channel 1 LSB Register offset.
40 ! Poll Status Register Bit 0 (RDY).
50 REPEAT
60 UNTIL BIT (READIO (-9826, Base_addr + 4),0)
70 ! Verify that Channel settle bit is 1.
80 REPEAT
90 UNTIL BIT (READIO (-9826, Base_addr + 4),8)
100 ! Write the MSB.
110 WRITEIO -9826, Base_addr + Msb_addr; DVAL ("81",16)
120 ! Poll Status Register Bit 0 (RDY).
130 REPEAT
140 UNTIL BIT (READIO (-9826, Base_addr + 4),0)
150 ! Write LSB.
160 WRITEIO -9826, Base_addr + Lsb_addr; DVAL("2C",16)
170 ! Poll Status Register Bit 0 (RDY).
180 REPEAT
190 UNTIL BIT (READIO (-9826, Base_addr + 4),0)
200 ! Poll Status Register Bit 7 (DON).
210 REPEAT
220 UNTIL BIT (READIO (-9826, Base_addr + 4),7)
230 END
```

## C Version

```
/* Output a Voltage */
#include <stdio.h>
#include <chplib.h>
#include <dos.h>.h

#define LOG_ADDR 72 /* E1328 Logical Address */
#define BASE_ADDR (long) ((0x1FC000) + (64 * LOG_ADDR))

float send_data[3], read; /* Output data array */
int msb_addr = 0x10; /* MSB Register address */
int lsb_addr = 0x12; /* LSB Register address */
char state[2] = {13,10}; /* CR/LF for data */

/*Function to poll Status Register to make certain channel is ready */
void poll_status_register (base_address)
{
    long bit_number;
    float send_data[3], read;
    send_data[0] = base_address + 4; /* Status Register address */
    send_data[1] = 16; /* hex base */
    send_data[2] = 0; /* no value because reading the register */

    IOEOI (7L, 0); IOEOL (7L, " ", 0); /* HP-IB library call */
    IOOUTPUTS (70900L, "DIAG:PEEK? ", 11); /* HP-IB library call */
    IOEOI(7L,0); IOEOL(7L, " ",0); /* HP-IB library call */
    IOOUTPUTA (70900L, send_data,2); /* HP-IB library call */
    while (bit_number != 0x0101) /* wait until bits 0 and 8 (channel 1) are ready */
    {
        IOENTER(70900L, &read); /* HP-IB library call */
        bit_number = ((long)(read));
    }
}

main ()
{
    /* Poll Status Register to ensure channel ready */
    poll_status_register(BASE_ADDR);

    /* Send Channel MSB */
    send_data[0] = BASE_ADDR + msb_addr; /* set MSB address */
    send_data[2] = 0x81; /* MSB data */
}
```

```

IOEOI (7L, 0); IOEOL (7L, " ", 0);      /* HP-IB library call */
IOOUTPUTS (70900L, "DIAG:POKE ", 10);/* HP-IB library call */
IOEOI (7L, 1); IOEOL (7L, state,0);    /* HP-IB library call */
IOOUTPUTA (70900L, send_data, 3);      /* HP-IB library call */

/* Poll Status Register to ensure channel ready */
poll_status_register(BASE_ADDR);

/* Send Channel LSB */
send_data[0] = BASE_ADDR + lsb_addr; /* set LSB address */
send_data[2] = 0x2C;                 /* LSB data */

IOEOI (7L, 0); IOEOL (7L, " ", 0);      /* HP-IB library call */
IOOUTPUTS (70900L, "DIAG:POKE ", 10);/* HP-IB library call */
IOEOI (7L, 1); IOEOL (7L, state,0);    /* HP-IB library call */
IOOUTPUTA (70900L, send_data, 3);      /* HP-IB library call */

return 0;
}

```

## Using an Embedded HP RAD-EPC7 Computer

The following C language program was developed on the HP RAD-EPC7 embedded computer using the Standard Instrument Control Library (SICL) for DOS. As listed, the program sets channel 1 to output -2.00V. The program can be used to set the output voltage or current on any DAC channel.

```
/* E1328_VO.CPP - This program sets D/A Converter to output -2.00V */
/* on channel 1. The program can also be used to set the output voltage or */
/* output current on any channel. Note that the channel mode (voltage or */
/* current) must be set using the jumpers on the HP E1328A module. */

#include <sicl.h>
#include <stdio.h>
#include <stdlib.h>
#include <conio.h>
#include <dos.h>

/* define macros to monitor D/A status in the Status Register */

#define READY (iwpeek((unsigned short*)(base_addr + 0x04)) & 0x01)
#define DONE ((iwpeek((unsigned short*)(base_addr + 0x04)) & 0x81) == 0x81)
#define SETTLE1 (iwpeek((unsigned short*)(base_addr + 0x04)) & 0x100)
#define SETTLE2 (iwpeek((unsigned short*)(base_addr + 0x04)) & 0x200)
#define SETTLE3 (iwpeek((unsigned short*)(base_addr + 0x04)) & 0x400)
#define SETTLE4 (iwpeek((unsigned short*)(base_addr + 0x04)) & 0x800)
#define PASS_FAIL (iwpeek((unsigned short*)(base_addr + 0x04)) & 0x04)

/* Function prototypes */
void setup_dtoa(char *base_addr, int mode, int channel, float level);
void reset_dtoa(char *base_addr);
void main(void)
{
    char *base_addr;
    /* create and open a device session */
    INST e1328a;
    e1328a = iopen("vxi,72");

    /* map the HP E1328A registers into user memory space */
    base_addr = imap(e1328a, I_MAP_VXIDEV, 0, 1, NULL);

    /* function call to reset the D/A converter */
    reset_dtoa(base_addr);

    /* function call to set up the D/A converter; send base address, */
    /* mode (voltage = 1, any other number = current), channel (1-4), */
    /* and level (in volts or amps) */

    setup_dtoa(base_addr, 1, 1, -2.00); /* outputs -2.0V on channel 1 */
    /* close session */
    iclose(e1328a);
}
```

```

/*****
void setup_dtoa(char *base_addr, int mode, int channel, float level)
{
/* This function sets up the D/A converter to output voltages or currents */
/* on the specified channels. */

    unsigned short level_word = 0, msbyte = 0, lsbyte = 0;
    /* convert voltage or current level to binary number */
    if (mode == 1) /* convert voltage */
    {
        level_word = (unsigned short)(level * 3000) + 0x8000;
        msbyte = level_word >> 8;
        lsbyte = level_word & 0xFF;
    }
    else /* convert current */
    {
        level_word = (unsigned short)(level * 1500000) + 0x8000;
        msbyte = level_word >> 8;
        lsbyte = level_word & 0xFF;
    }

    /* wait for the D/A ready bit and the channel's settle bit = 1, */
    /* and then write msbyte of voltage */

    switch (channel)
    {
        case 1: while(!READY); /* channel 1 */
                while(!SETTLE1);
                iwpoke((unsigned short*)(base_addr + 0x10),msbyte);

        /* wait for D/A ready bit = 1, and then write lsbyte of voltage */

                while (!READY);
                iwpoke((unsigned short*)(base_addr + 0x12),lsbyte);
                break;
        case 2: while(!READY); /* channel 2 */
                while(!SETTLE2);
                iwpoke((unsigned short*)(base_addr + 0x14),msbyte);

        /* wait for D/A ready bit = 1, and then write lsbyte of voltage */

                while (!READY);
                iwpoke((unsigned short*)(base_addr + 0x16),lsbyte);
                break;

        case 3: while(!READY); /* channel 3 */
                while(!SETTLE3);
                iwpoke((unsigned short*)(base_addr + 0x18),msbyte);

        /* wait for D/A ready bit = 1, and then write lsbyte of voltage */

                while (!READY);
                iwpoke((unsigned short*)(base_addr + 0x1A),lsbyte);
                break;
    }
}
*****/

```



```

        case 4:    while(!READY);          /* channel 4 */
                  while(!SETTLE4);
                  iwpoke((unsigned short*)(base_addr + 0x1C),msbyte);

/* wait for D/A ready bit = 1, and then write 1sbyte of voltage */

                  while(!READY);
                  iwpoke((unsigned short*)(base_addr + 0x1E),1sbyte);
                  break;

        default:  exit(EXIT_FAILURE);
                  break;
    }

/* wait for command to complete before setting next output */
while(!READY);
while(!DONE); }

/*****
void reset_dtoa(char *base_addr)
{
/* This function resets the D/A converter by disabling the Status/Control */
/* Register 'SYSFAIL' bit (bit 1), by writing a '1' to the soft reset bit */
/* (bit 0), and then by writing a '0' to bit 0. After the reset, the 'SYSFAIL'*/
/* bit is re-enabled. */

    iwpoke((unsigned short*)(base_addr + 0x04),2); /* disable 'SYSFAIL' */
    iwpoke((unsigned short*)(base_addr + 0x04),3);
    delay (200); /* Borland C++ function */
    iwpoke((unsigned short*)(base_addr + 0x04),2); /* turn off reset */
    while (!PASS_FAIL); /* wait for the reset to complete */
    iwpoke((unsigned short*)(base_addr + 0x04),0); /* enable 'SYSFAIL' */
}

```

## *Notes*

---

# Appendix C

## HP E1328A Error Messages

---

Table C-1 lists the error messages associated with the 4-Channel D/A Converter module programmed by SCPI. See the appropriate mainframe manual for a complete list of error messages.

**Table C-1. 4-Channel D/A Converter Error Messages**

No.	Title	Potential Cause(s)
-350	Too many errors	The error queue is full as more than 30 errors have occurred.
-330	Self-test Failure	Module malfunction.
-240	Hardware Failure	Module malfunction.
-221	Jumper Settings	Channel's V/I jumper in incorrect position.
+2801	Channel 1 current checksum error	Channel 1 stored adjustment constant (current) is corrupted.
+2802	Channel 2 current checksum error	Channel 2 stored adjustment constant (current) is corrupted.
+2803	Channel 3 current checksum error	Channel 3 stored adjustment constant (current) is corrupted.
+2804	Channel 4 current checksum error	Channel 4 stored adjustment constant (current) is corrupted.
+2805	Channel 1 voltage checksum error	Channel 1 stored adjustment constant (voltage) is corrupted.
+2806	Channel 2 voltage checksum error	Channel 2 stored adjustment constant (voltage) is corrupted.
+2807	Channel 3 voltage checksum error	Channel 3 stored adjustment constant (voltage) is corrupted.
+2808	Channel 4 voltage checksum error	Channel 4 stored adjustment constant (voltage) is corrupted.

## *Notes*

---

- \*CLS, 49–50
- \*ESE, 50
- \*ESE?, 50
- \*ESR?, 50
- \*IDN?, 50
- \*OPC, 50
- \*OPC?, 50
- \*RCL, 50
- \*RST, 19, 50
- \*SAV, 50
- \*SRE, 50
- \*SRE?, 50
- \*STB?, 50
- \*TST?, 50
- \*WAI, 50

### A

- A16 Address Space
  - description, 55–57
  - inside command module, 57
  - inside mainframe, 57
  - outside command module, 56
- Abbreviated SCPI Commands, 40
- AC FAIL Line, 12
- Accessing the Registers, 58
- Accuracy, 53
- Address
  - base address, 56–57
  - inside the command module, 57
  - logical, 16, 55, 57
  - outside the command module, 56
  - registers, 55–57
  - secondary HP-IB, 12
- Adjustment
  - electronic, 34–35, 67–70
  - electronic current, 26–28, 42
  - electronic voltage, 20–22, 44
- Algorithm, register-based, 71

### B

- Base Address, 56–57
- Block Diagram, 11
- Boolean Command Parameters, 40
- Bytes
  - checksum bytes, 67
  - gain bytes, 67
  - least significant byte (LSB), 59, 63–64
  - most significant byte (MSB), 59, 63–64
  - offset bytes, 67

### C

- Calibrated Mode
  - disabling, 43
  - enabling, 43
  - output accuracy, 12
  - output current, example, 29
  - output voltage, example, 23–25
  - output voltage, range, 11
  - output voltage, range expanding, 24–25
  - query, 43
- CALibration Subsystem, 42–44
  - CALibration:CURRENT, 19, 42
  - CALibration:STATE, 19, 43
  - CALibration:STATE?, 43
  - CALibration:VOLTage, 19, 44
- CAUTIONS, 15
- Certification, 5
- Changing
  - output level, 63
- Channel
  - calibrated mode, 43
  - electrically isolated, 12
  - electronic adjustment, 67–70
  - measurement data, entering, 42, 44
  - mode register, 63
  - monitoring, 45–46
  - output current, 27–30, 36
  - output current, expanding range, 12, 29–30
  - output current, query, 47
  - output current, selecting, 17, 47
  - output current, short circuit protection, 12

- output current, specified channel, 47
- output LSB registers, 63–64
- output MSB registers, 63–64
- output registers, 63–64
- output voltage, 23–25, 32
- output voltage, expanding range, 12, 24–25
- output voltage, query, 48
- output voltage, selecting, 17, 48
- output voltage, short circuit protection, 12
- output voltage, specified channel, 48
- query calibrated mode, 43
- query output, 46
- query V/I jumper, 48
- specifying, 13
- stored current constants, updating, 26
- stored voltage constants, updating, 20

Checksum

- bytes, 67
- calculating, 69–70

Clearing Error Queue, 49

\*CLS, 49–50

Command Module

- A16 address space inside, 57
- A16 address space outside, 56

Command Reference, 39–52

- CALibration subsystem, 42–44
- \*CLS, 49–50
- DISPlay subsystem, 45–46
- \*ESE, 50
- \*ESE?, 50
- \*ESR?, 50
- \*IDN?, 50
- \*OPC, 50
- \*OPC?, 50
- \*RCL, 50
- \*RST, 19, 50
- \*SAV, 50
- [SOURce:] subsystem, 47–48
- \*SRE, 50
- \*SRE?, 50
- \*STB?, 50
- SYSTem subsystem, 49
- \*TST?, 50
- \*WAI, 50

Command Register, 64–69

Commands

- CALibration subsystem, 42–44
- \*CLS, 49–50
- Common (\*) Commands, 50
- common format, 39
- DISPlay subsystem, 45–46
- \*ESE, 50
- \*ESE?, 50
- \*ESR?, 50
- \*IDN?, 50
- implied SCPI commands, 13
- in square brackets, 13
- linking, 41
- \*OPC, 50
- \*OPC?, 50
- operation commands, 31
- query, 37
- quick reference, 50–51
- quick reference, IEEE common commands, 50
- quick reference, SCPI commands, 51
- \*RCL, 50
- \*RST, 19, 50
- \*SAV, 50
- SCPI format, 39–40
- selecting SCPI commands, 13
- [SOURce:] subsystem, 47–48
- \*SRE, 50
- \*SRE?, 50
- \*STB?, 50
- SYSTem subsystem, 49
- \*TST?, 50
- types, 39
- used in chapter 3, 19
- \*WAI, 50

Comment Sheet, reader, 9

Common (\*) Commands, 50

- \*CLS, 49–50
- \*ESE, 50
- \*ESE?, 50
- \*ESR?, 50
- format, 39
- \*IDN?, 50
- linking, 41
- \*OPC, 50
- \*OPC?, 50
- quick reference, 50
- \*RCL, 50
- \*RST, 19, 50
- \*SAV, 50
- \*SRE, 50
- \*SRE?, 50
- \*STB?, 50
- \*TST?, 50
- \*WAI, 50

Common Mode Noise, 53

Compliance

- current, 32
- voltage, 36

Configuring, 15–18

Conformity, declaration, 7

Connecting

- field wiring, 18
- sense terminals, 18
- Current
  - adjustment, electronic, 26–28, 42
  - calibrated mode, output example, 29
  - DC specifications, 53
  - non-calibrated mode, output example, 29–30
  - output, 27–30, 36, 76–81
  - output, compliance voltage, 36
  - output, expanding range, 12
  - output, querying, 47
  - output, range, expanding, 29–30
  - output, register-based algorithm, 71
  - output, selecting, 17, 47
  - output, short circuit protection, 12
  - output, using embedded computers, 79–81

## D

- D/A Converter
  - commands, 19, 39–52
  - operation commands, 31
  - query commands, 37
  - specifications, 53–54
- Declaration of Conformity, 7
- Description, 11
  - registers, 60–69
- Device Type Register, 60
  - reading the, 74–75
- Differential Ripple and Noise, 53
- Disabling
  - calibrated mode, 43
  - monitor mode, 46
- DISPlay Subsystem, 45–46
  - DISPlay:MONitor:CHANnel, 45
  - DISPlay:MONitor:CHANnel?, 46
  - DISPlay:MONitor[:STATe], 46
  - DISPlay:MONitor:STRing?, 46
- Documentation History, 6

## E

- Electronic
  - adjustment, 34
  - adjustment, and lead resistance, 35
  - adjustment, procedure for, 67–70
  - current adjustment, 26–28, 42
  - voltage adjustment, 20–22, 44
- Embedded Computers, using, 79–81
- Enabling
  - calibrated mode, 43
  - channel monitoring, 45
  - monitor mode, 46

- non-calibrated mode, 43

## Error

- messages, 83–84
- queue, 49
- \*ESE, 50
- \*ESE?, 50
- \*ESR?, 50
- Example
  - current output in calibrated mode, 29
  - current output in non-calibrated mode, 29–30
  - See also* Program Examples
  - voltage output in calibrated mode, 23–25
- Expanding
  - output current range, 29–30
  - output voltage range, 12, 24–25

## F

- Field Wiring, 18
- Fixed Voltage Sources, 34

## G

- Gain
  - bytes, 67
  - constants, calculating, 67–70
- General Description, 11
- Getting Started, 11–14

## H

- HP-IB Secondary Address, 12

## I

- ID Register, 60
  - reading the, 74–75
- \*IDN?, 50
- IEEE-488.2 Common Commands
  - See* Common (\*) Commands
- Implied SCPI Commands, 13, 40
- Instrument Definition, 12
- Isolated Channels, 12
- Isolation, 54

## J

- Jumper
  - V/I, query configuration, 48
  - V/I, setting, 17

## L

- LADDR, 16
- Lead Resistance, 34–35
  - and electronic adjustment, 35
  - maximum, 33
- Least Significant Byte (LSB), 59, 63–64
- Load
  - connecting output terminals to, 23–25, 27–30
  - connecting sense terminals to, 24–25
- Logical Address
  - factory setting, 16, 55, 57
  - setting, 16
- LSB Registers, 63–64

## M

- Mainframe
  - A16 address space, 57
  - AC FAIL line, 12
  - displaying commands, 45–46
- Manufacturer ID Register
  - See* ID Register
- Map of Registers, 59
- Maximum
  - errors in error queue, 49
  - lead resistance, 33
  - short circuit current, 36
  - voltage, 15
  - wiring size (AWG), 18, 54
- Measurement
  - entering current data, 42
  - entering voltage data, 44
- Mode of Operation, setting, 43
- Module
  - block diagram, 11
  - configuring the, 15–18
  - description, 11
  - programming, 13
  - resetting, 72–73
  - specifications, 53–54
  - understanding the, 31–38
  - using the, 19–30
  - V/I jumper setting, 17
- Monitoring
  - channels, 45–46
  - mode, 46
- Most Significant Byte (MSB), 59, 63–64
- MSB Registers, 63–64
- Multimeter
  - electronic current adjustment, 27–28
  - See also* Voltmeter

## N

- Non-Calibrated Mode
  - electronic current adjustment, 26
  - electronic voltage adjustment, 20
  - enabling, 43
  - output current, example, 29–30
  - output current, range expanding, 29–30
  - output voltage, range, 11
  - query, 43
- Numeric Command Parameters, 40

## O

- Offset
  - bytes, 67
  - constants, calculating, 67–70
- One Channel
  - current output, 27–29
  - voltage output, 23
  - voltage output, with remote sensing, 24
- \*OPC, 50
- \*OPC?, 50
- Output Current, 27–30, 36, 76–81
  - compliance voltage, 36
  - expanding output range, 12
  - querying, 47
  - range, expanding, 29–30
  - register-based algorithm, 71
  - selecting, 17, 47
  - short circuit protection, 12
  - specifications, 53
  - using embedded computers, 79–81
- Output Level, changing/setting, 63
- Output Terminals
  - connecting, load to, 23–25, 27–30
- Output Voltage, 23–25, 32, 76–81
  - accuracy, calibrated mode, 12
  - compliance current, 32
  - expanding output range, 12
  - querying, 48
  - range, calibrated mode, 11
  - range, expanding, 12, 24–25
  - range, non-calibrated mode, 11
  - register-based algorithm, 71
  - remote sense mode, 33
  - selecting, 17, 48
  - short circuit protection, 12
  - using embedded computers, 79–81



## P

### Parameters

- boolean, 40
- defined, 40
- discrete, 40
- numeric, 40
- optional, 40
- register, 64–69
- SCPI commands, 40

### Power Requirements, 54

### Program Examples, 72–81

- calculating checksum, 69–70
- calculating gain constants, 69–70
- calculating offset constants, 69–70
- determining calibration constants, 69–70
- electronic current adjustment, using external

### multimeter, 27–28

### electronic voltage adjustment, using system voltmeter, 21–22

#### *See also* Example

- expanding current output range, 29–30
- expanding voltage output range, 24–25
- outputting voltage or current, 76–81
- reading registers, 74–75
- register-based, 72–81
- resetting the module, 72–73
- using embedded computers, 79–81

### Programming

- register-based, 55–82

### Programming the D/A Converter, 13

## Q

### Query

- channel output, 46
- commands, 37
- current output, 47
- error queue, 49
- mode of operation, 43
- monitored channel, 46
- V/I jumper configuration, 48
- voltage output, 48

### Querying the D/A Converter, 37

### Quick Reference

- common (\*) commands, 50
- SCPI commands, 51

## R

### Range, 53

### \*RCL, 50

### Read Registers

- channel mode register, 63
- device type register, 60, 74–75
- ID register, 60, 74–75
- status/control register, 60–62, 74–75

### Reader Comment Sheet, 9

### Register-Based Programming, 55–82

- accessing registers, 58
- addressing the registers, 55–57
- algorithm, 71
- base address, 56–57
- outputting voltage or current, 76–81
- programming examples, 72–81
- reading registers, 74–75
- register definitions, 59
- register descriptions, 60–69
- register offset, 58
- resetting the module, 72–73
- using embedded computers, 79–81

### Registers

- accessing, 58
- addressing, 55–57
- channel mode register, 63
- channel output registers, 63–64
- command register, 64–69
- definitions, 59
- descriptions, 60–69
- device type register, 60, 74–75
- ID register, 60, 74–75
- LSB registers, 63–64
- map, 59
- MSB registers, 63–64
- offset, 58
- parameter register, 64–69
- status/control register, 60–62, 74–75

### Remote Sensing, 24–25, 33

- maximum lead resistance, 33

### Reset Conditions, 19

### Resetting the Module, 72–73

### Resolution, 53

### \*RST, 19, 50

## S

### Safety Warnings, 6, 15

### \*SAV, 50

### SCPI Commands

- abbreviated, 40
- CALibration subsystem, 42–44
- command separator, 40
- DISPlay subsystem, 45–46
- format, 39–40
- implied, 13, 40

- linking, 41
- operation commands, 31
- parameters, 40
- quick reference, 51
- reference, 39–52
- selecting, 13
- short, 40
- [SOURce:] subsystem, 47–48
- SYSTem subsystem, 49
- used in chapter 3, 19
- used to query, 37
- Secondary HP-IB Address, 12
- Selecting
  - current output, 47
  - monitor channel values, 45
  - monitor mode, 46
  - SCPI commands, 13
  - voltage output, 17, 48
- Sense Terminals
  - connecting, 18
  - connecting, load to, 24–25
- Series Voltage Sources, 34
- Setting
  - logical address switch, 16
  - mode of operation, 43
  - output level, 63
  - V/I jumper, 17
- Settling Time, 54
- Shock Hazard, 15
- Short Circuit Protection, 12
- Short SCPI Commands, 40
- [SOURce:] Subsystem, 47–48
  - [SOURce:]CURRent, 19, 47
  - [SOURce:]CURRent?, 47
  - [SOURce:]FUNctIon?, 48
  - [SOURce:]VOLtAge, 19, 48
  - [SOURce:]VOLtAge?, 48
- Specifications, 53–54
- Specifying
  - channels, 13
- Square Brackets, 13
- \*SRE, 50
- \*SRE?, 50
- Static Electricity, 15
- Status Bit Precedence, 61–62
- Status/Control Register, 60–62
  - reading the, 74–75
- \*STB?, 50
- Stored Current Constants, updating, 26
- Stored Voltage Constants, updating, 20
- Subsystems (SCPI Commands)
  - CALibration, 42–44
  - DISPlay, 45–46

- [SOURce:], 47–48
- SYSTem, 49
- Switches, logical address, 16
- SYSTem Subsystem, 49
  - SYSTem:ERRor?, 49
- System Voltmeter
  - electronic voltage adjustment, 21–22

## T

- Temperature Coefficient, 53
- Terminals
  - output, connecting load to, 23–25, 27–30
  - sense, connecting, 18
- \*TST?, 50
- Two Channel
  - current output, 29–30
  - current output, non-calibrated mode, 29–30
  - voltage output, with remote sensing, 24–25

## U

- Understanding the HP E1328A, 31–38
- Updating
  - stored current constants, 26
  - stored voltage constants, 20
- Using
  - embedded computers, 79–81
  - the HP E1328A, 19–30

## V

- V/I Jumper
  - query configuration, 48
  - setting, 17
- Voltage
  - adjustment, electronic, 20–22, 44
  - calibrated mode, output example, 23–25
  - calibrated mode, output range, 11
  - DC specifications, 53
  - maximum allowed, 15
  - non-calibrated mode, output range, 11
  - output, 23–25, 32, 76–81
  - output, accuracy, calibrated mode, 12
  - output, compliance current, 32
  - output, querying, 48
  - output, range, expanding, 12, 24–25
  - output, register-based algorithm, 71
  - output, remote sense mode, 33
  - output, selecting, 17, 48
  - output, short circuit protection, 12
  - output, specified channel, 48
  - output, using embedded computers, 79–81

- sources, in series, 34
- Voltmeter
  - electronic voltage adjustment, 21–22
  - See also* Multimeter

## W

- \*WAI, 50
- WARNINGS, 6, 15
- Warranty, 5
- Wiring
  - guidelines, 18
  - maximum gauge, 18, 54
- Write Registers
  - channel output registers, 63–64
  - command register, 64–69
  - parameter register, 64–69
  - status/control register, 60–62