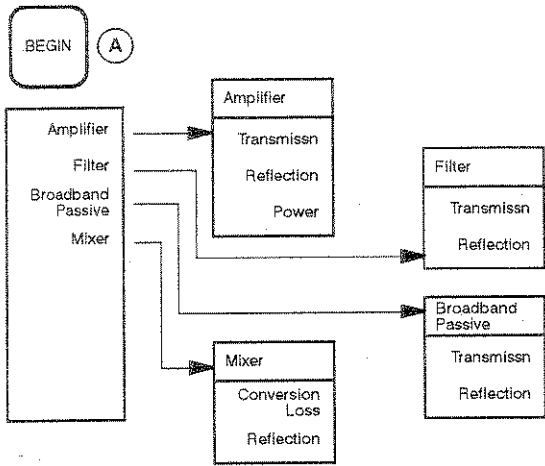


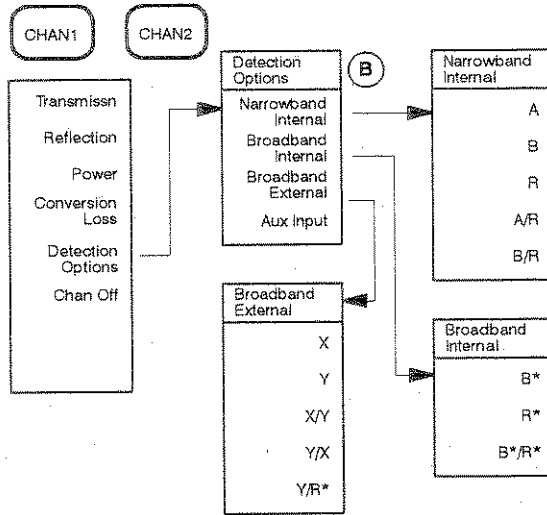
**HP 8711A  
RF Network Analyzer**

Quick Reference Card

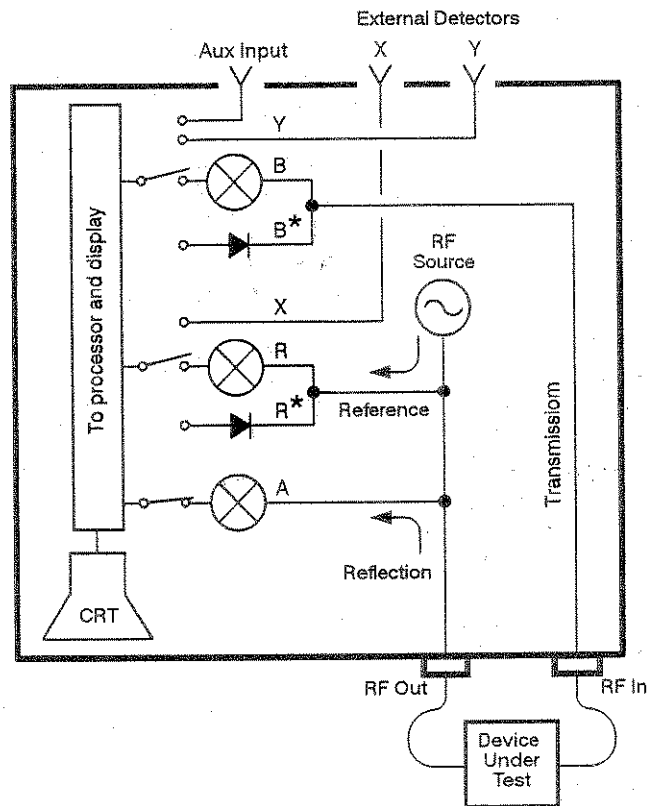
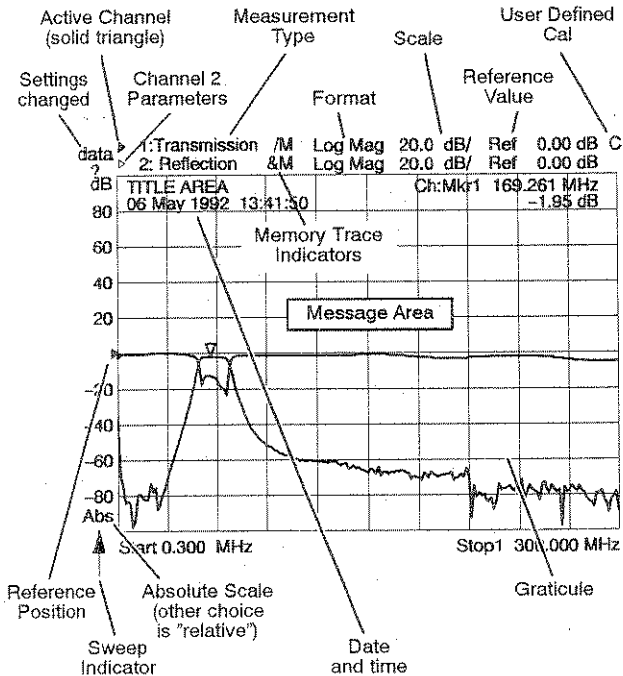
**BEGIN KEY**



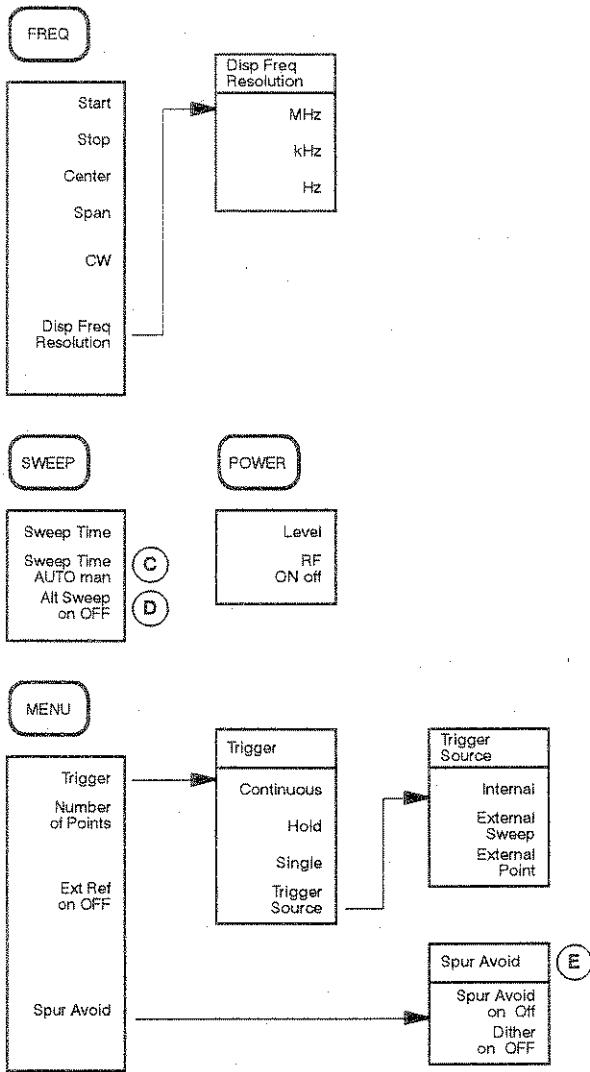
**MEAS KEYS**



- (A) **[BEGIN]:** press [BEGIN], select type of device and measurement. Autoscales and sets marker at min or max. For one channel measurements.
- (B) **{Detection Options}:** type of signal detection.  
**{Narrowband Internal}:** for wide dynamic range measurements, tuned receiver, built-in.  
**{Broadband Internal}:** for absolute power and frequency conversion measurements, diode detector, built-in.  
**{Broadband External}:** diode detector, optional accessory.  
**{Aux Input}:** voltmeter, rear panel input.

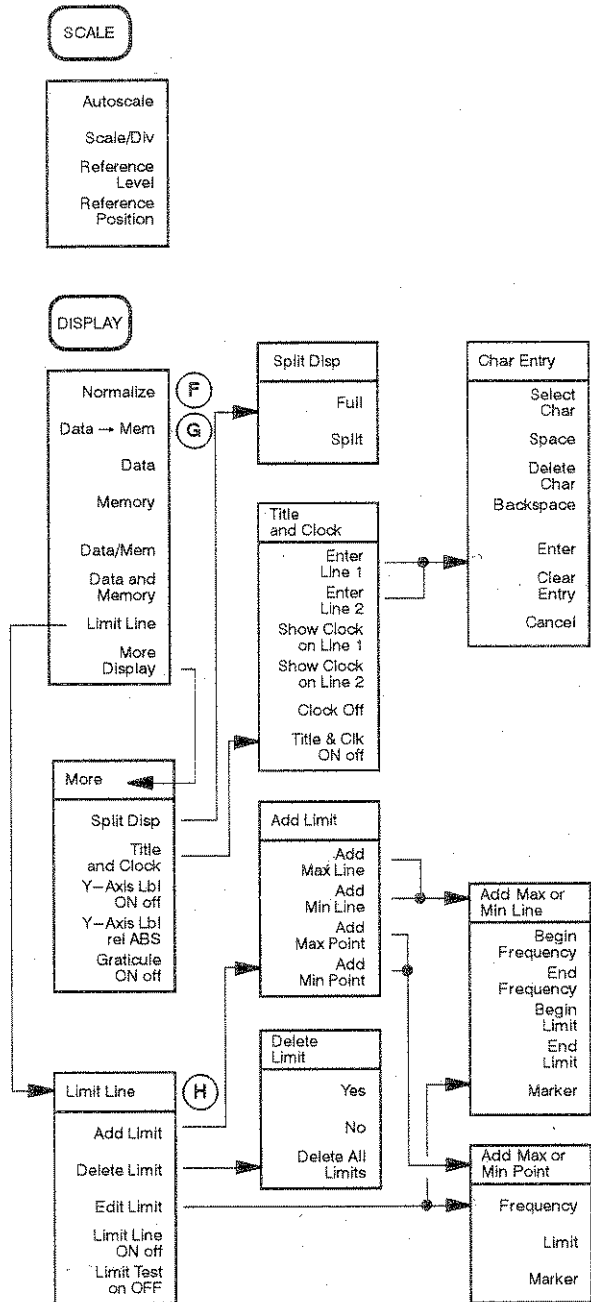


## SOURCE KEYS



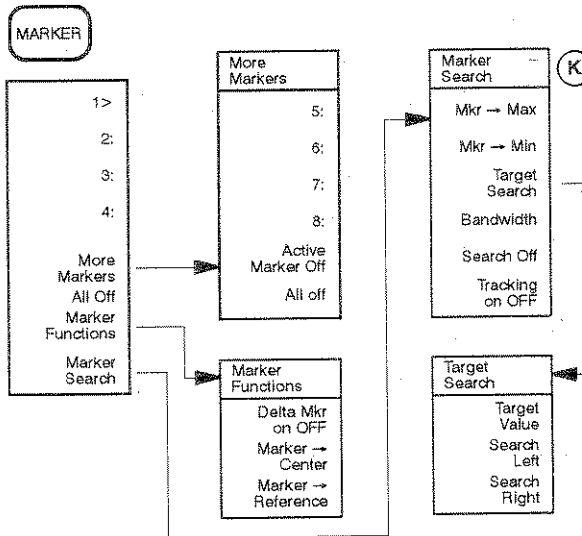
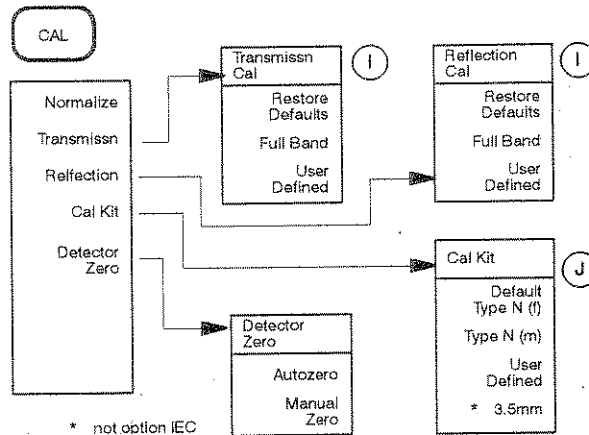
- (C) **{Sweep Time AUTO man}**: AUTO = fastest possible; MAN = user selected.
- (D) **{Alt Sweep ON}**: each channel can have different frequency span, detection mode, number of points, etc.
- (E) **{Spur Avoid}**: with spur avoid or dither on, do full band or user defined cal.  
**{Spur Avoid ON}**: removes spurs from low level measurements, slows sweep.  
**{Dither ON}**: shifts spurs, recommended for narrow frequency span measurements, no sweep speed penalty.

## CONFIGURE KEYS



- (F) **{Normalize}**: equivalent to {Data->Mem} and {Data/Mem}.
- (G) **{Data->Mem}**: stores current data trace in memory.
- (H) **{Limit Line}**: creates limit lines for testing. Use with {Limit Test ON} to show pass or fail.

CONFIGURE KEYS (continued)



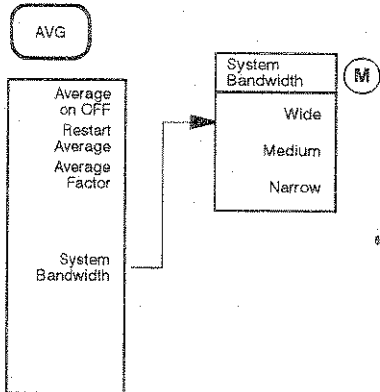
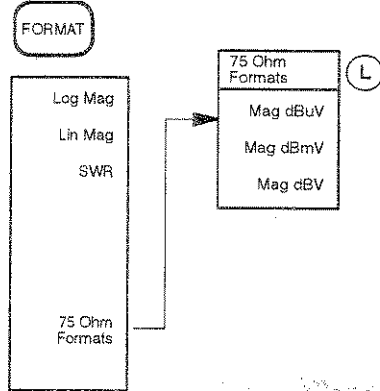
- (I) **{Restore Defaults}**: restores default calibration.  
**{Full Band}**: user cal of full frequency span at 801 points; can change frequency span after cal. Cal is lost if you change spur avoid settings.  
**{User Defined}**: select frequency span, number of points, spur avoid setting, then do cal. Cal is lost if you widen span, or change spur avoid settings after cal.
- (J) **{Detector Zero}**: compensates for drift of (zeroes) internal and external broadband detectors.  
**{Autozero}**: zeroes detectors when selected and as needed.  
**{Manual Zero}**: zeroes detectors one time when selected.

Copyright © 1992  
 Printed in U.S.A.  
 HP Part No. 08711-90111



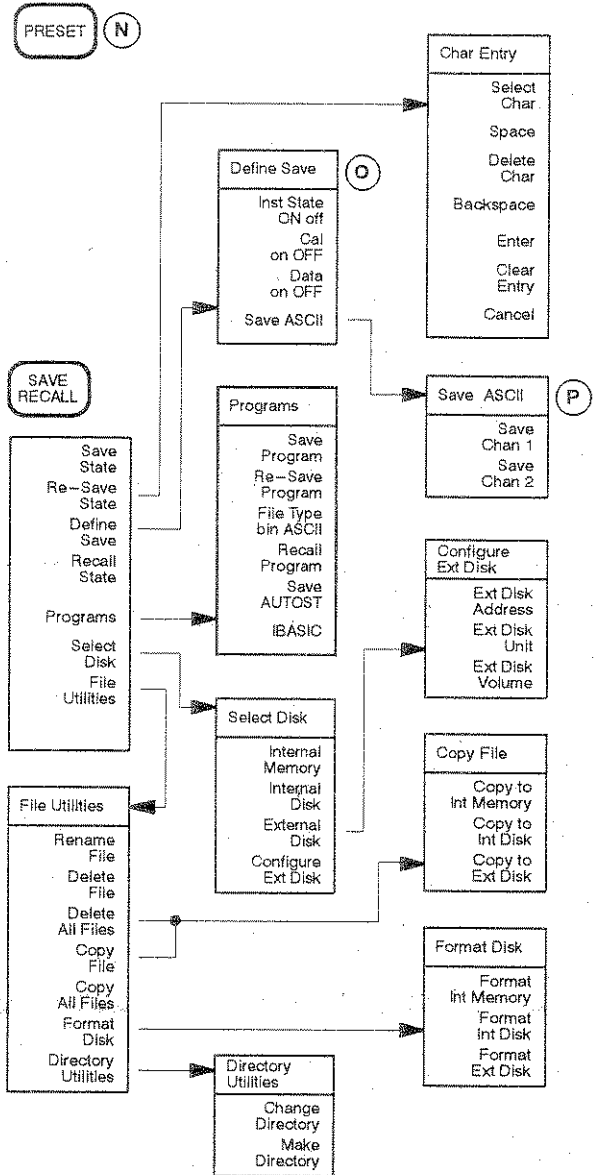
**CONFIGURE KEYS (continued)**

- (K)** **{Bandwidth}**: channel 1 places marker 1 at max, markers 5 and 6 at target, marker 3 at center frequency (CF).  
**{Tracking ON}**: updates search (for max, min, target) each sweep.



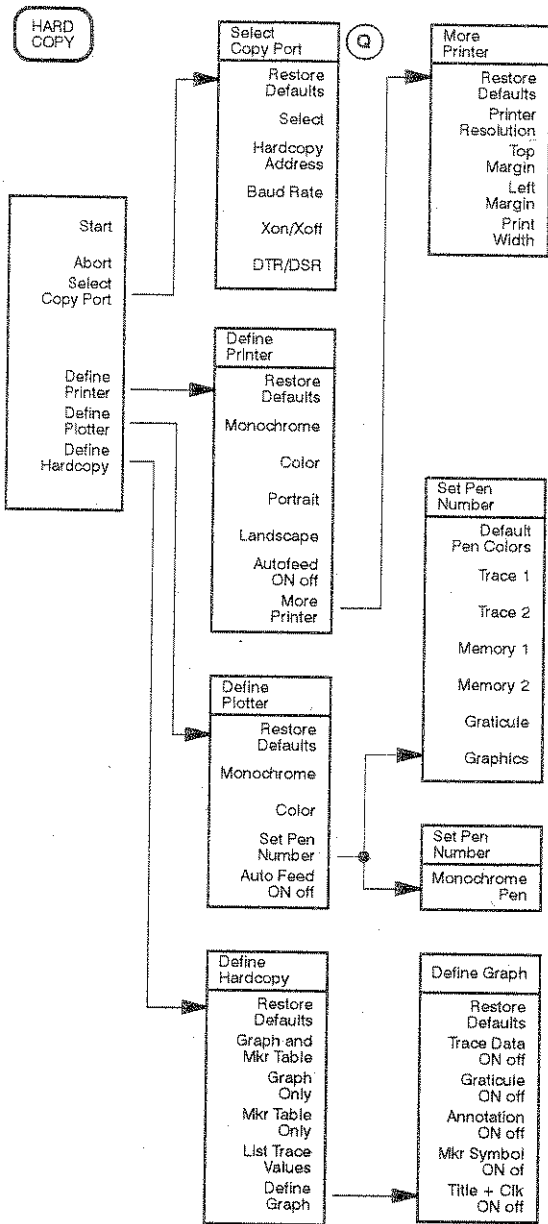
- (L)** **{75 Ohm Formats}**: option 1EC.
- (M)** **{System Bandwidth}**: Wide = fastest sweep. Medium (default) = medium sweep speed and dynamic range. Narrow = greatest dynamic range.

**SYSTEM KEYS**



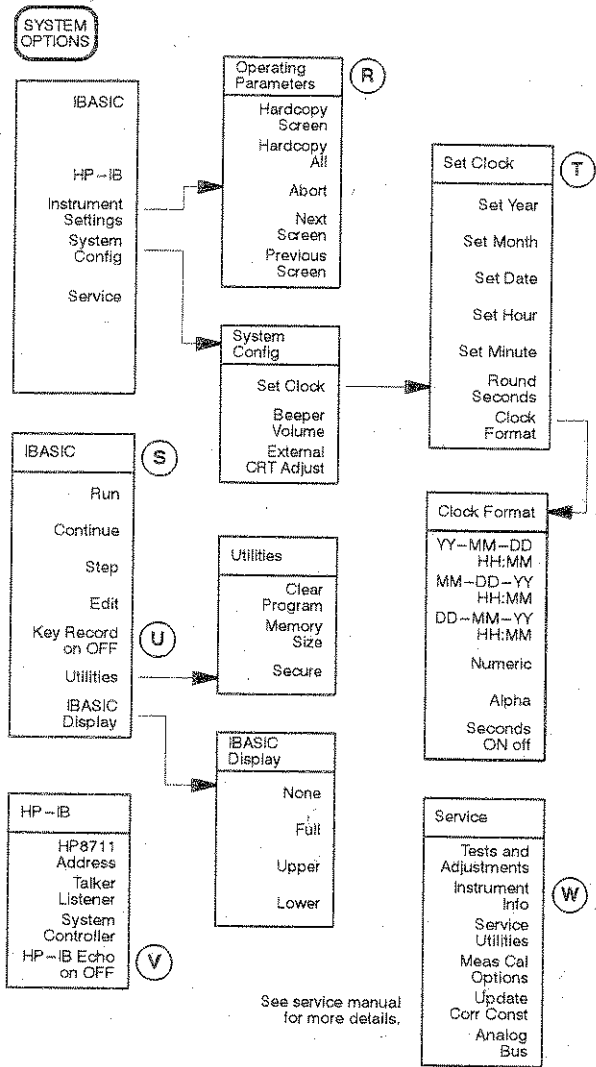
- (N)** **{PRESET}**: resets analyzer to predefined instrument state (full frequency range, 0 dBm output power, 201 points, averaging off, medium system bandwidth, etc.: see note **(R)** or Appendix A, chapter 7.) Note: power-up resets analyzer to last-used instrument state.
- (O)** **{Define Save}**: defines the combination of instrument state, calibration, and data to save.
- (P)** **{Save ASCII}**: saves trace data in ASCII format for output only.

SYSTEM KEYS (continued)



- Q **{Select Copy Port}**: indicate choice of printer or plotter for hardcopy output or internal disk drive.  
**{Select}**: selects above choice.  
**{Hardcopy Address}**: for HP-IB devices.  
**{Baud Rate}**: for serial devices.  
**{Xon/Xoff}**: software handshake for serial devices.  
**{DTR/DSR}**: hardware handshake for serial devices.

SYSTEM KEYS (continued)



- R **{Operating Parameters}**: displays current instrument configuration and operating conditions. Press **[Preset]** first for preset settings.
- S **{IBASIC}**: option IC2. Creates and runs programs.
- T **{Set Clock}**: use with **[DISPLAY]** **{More Display}** **{Title and Clock}** to see on screen.
- U **{Key Record ON}**: captures keystrokes to write IBASIC programs.
- V **{HP-IB Echo ON}**: displays HP-IB mnemonics on screen when keys are pressed.
- W **{Instrument Info}**: displays firmware rev, serial number, options, memory.

See service manual for more details.