

# **Service Manual**

## **HP 8560A Spectrum Analyzer**

### **SERIAL NUMBERS**

Prefix 3207A and Above



HP Part No. 08560-90081  
Printed in USA August 1992

@Copyright Hewlett-Packard Company 1990, 1992  
All Rights Reserved. Reproduction, adaptation, or translation without prior written  
permission is prohibited, except as allowed under the copyright laws.  
1212 Valley House Drive, Rohnert Park, CA 94928-4999, USA

---

## Certification

Hewlett-Packard Company certifies that this product met its published specifications at the time of shipment from the factory. Hewlett-Packard further certifies that its calibration measurements are traceable to the United States National Institute of Standards and Technology, to the extent allowed by the Institute's calibration facility, and to the calibration facilities of other International Standards Organization members.

---

## Warranty

This Hewlett-Packard instrument product is warranted against defects in material and workmanship for a period of one year from date of shipment. During the warranty period, Hewlett-Packard Company will, at its option, either repair or replace products which prove to be defective.

For warranty service or repair, this product must be returned to a service facility designated by HP. Buyer shall prepay shipping charges to HP and HP shall pay shipping charges to return the product to Buyer. However, Buyer shall pay all shipping charges, duties, and taxes for products returned to HP from another country.

HP warrants that its software and firmware designated by HP for use with an instrument will execute its programming instructions when properly installed on that instrument. HP does not warrant that the operation of the instrument, or software, or firmware will be uninterrupted or error-free.

## Limitation of Warranty

The foregoing warranty shall not apply to defects resulting from improper or inadequate maintenance by Buyer, Buyer-supplied software or interfacing, unauthorized modification or misuse, operation outside of the environmental specifications for the product, or improper site preparation or maintenance.

NO OTHER WARRANTY IS EXPRESSED OR IMPLIED. HP SPECIFICALLY DISCLAIMS THE IMPLIED WARRANTIES OF MERCHANTABILITY AND FITNESS FOR A PARTICULAR PURPOSE.

## Exclusive Remedies

THE REMEDIES PROVIDED HEREIN ARE BUYER'S SOLE AND EXCLUSIVE REMEDIES. HP SHALL NOT BE LIABLE FOR ANY DIRECT, INDIRECT, SPECIAL, INCIDENTAL, OR CONSEQUENTIAL DAMAGES, WHETHER BASED ON CONTRACT, TORT, OR ANY OTHER LEGAL THEORY.

---

## Assistance

*Product maintenance agreements and other customer assistance agreements are available for Hewlett-Packard products.*

*For any assistance, contact your nearest Hewlett-Packard Sales and Service Office.*

---

## Safety Symbols

The following safety symbols are used throughout this manual. Familiarize yourself with each of the symbols and its meaning before operating this instrument.

---

**Caution**      The *caution* sign denotes a hazard. It calls attention to a procedure which, if not correctly performed or adhered to, could result in damage to or destruction of the instrument. Do not proceed beyond a *caution* sign until the indicated conditions are fully understood and met.

---

---

**Warning**      The *warning* sign denotes a hazard. It calls attention to a procedure which, if not correctly performed or adhered to, could result in injury or loss of life. Do not proceed beyond a *warning* sign until the indicated conditions are fully understood and met.

---

---

## General Safety Considerations

---

**Warning**      *Before this instrument is switched on, make sure it has been properly grounded through the protective conductor of the ac power cable to a socket outlet provided with protective earth contact.*

Any interruption of the protective (grounding) conductor, inside or outside the instrument, or disconnection of the protective earth terminal can result in personal injury.

---

---

**Warning**      There are many points in the instrument which can, if contacted, cause personal injury. Be extremely careful.

Any adjustments or service procedures that require operation of the instrument with protective covers removed should be performed only by trained service personnel.

---

---

**Caution**      *Before this instrument is switched on, make sure its primary power circuitry has been adapted to the voltage of the ac power source.*

Failure to set the ac power input to the correct voltage could cause damage to the instrument when the ac power cable is plugged in.

---

---

## HP 8560A Spectrum Analyzer Documentation Outline

For ordering information, contact a Hewlett-Packard Sales and Service Office.

---

### Manuals Shipped with Your Instrument

#### *HP 8560A Installation and Verification Manual*

- Tells you how to install the spectrum analyzer.
- Tells you what your analyzer's specifications are.

#### *HP 8560A/8561B/8563A Operating and Programming Manual*

- Tells you how to make measurements with your spectrum analyzer.
- Tells you how to program your spectrum analyzer.

#### *HP 8560A Quick Reference Guide*

- Is an abbreviated version of the *HP 8560A/8561B/8563A Operating and Programming Manual*
- Provides you with a listing of all remote programming commands.

---

### Options

#### **Option 915:** *HP 8560A Service Manual and HP 8560A/61B/63A Spectrum Analyzer Component Level Information*

- The service manual provides information to service your analyzer to the assembly-level (not always immediately available for new products).
- The component-level information binder provides component-level information for component-level repair of the analyzer or analyzer family (not always immediately available for new products).

#### **Option 910: Extra Manual Set**

- Doubles all documentation shipped with a standard instrument.

#### **Option 916:** *HP 8560A Quick Reference Guide*

- Adds an extra *HP 8560A Quick Reference Guide* to the document package.

# Contents

---

## 1. General Information

Manual Organization . . . . .	1-1
Manual Text Conventions . . . . .	1-2
Serial Numbers Covered by This Manual . . . . .	1-2
Instrument Variations . . . . .	1-3
HP 85629B Test and Adjustment Module . . . . .	1-6
Service Kit . . . . .	1-6
Recommended Test Equipment . . . . .	1-6
Electrostatic Discharge . . . . .	1-7
Reducing Potential for ESD Damage . . . . .	1-7
Static-Safe Accessories . . . . .	1-8
Returning Instruments for Service . . . . .	1-8
Service Tag . . . . .	1-8
Original Packaging . . . . .	1-8
Other Packaging . . . . .	1-8
Sales and Service Offices . . . . .	1-11

## 2. Adjustment Procedures

Introduction . . . . .	2-1
Safety Considerations . . . . .	2-2
Which Adjustments Should Be Performed? . . . . .	2-2
Test Equipment . . . . .	2-2
Adjustable and Factory-Selected Components . . . . .	2-2
Adjustment Tools . . . . .	2-3
Instrument Service Position . . . . .	2-3
Using the TAM . . . . .	2-9
Test Equipment . . . . .	2-9
Adjustment Indicator . . . . .	2-9
1. High-Voltage Power Supply Adjustment . . . . .	2-12
2. Display Adjustment . . . . .	2-14
3. IF Bandpass Adjustment . . . . .	2-20
4. IF Amplitude Adjustments . . . . .	2-25
5. DC Log Amplifier Adjustments . . . . .	2-29
6. Sampling Oscillator Adjustment . . . . .	2-33
7. YTO Adjustment . . . . .	2-37
8. First LO Distribution Amplifier Adjustment . . . . .	2-40
9. Tracking Generator Power Level Adjustments . . . . .	2-42
10. Frequency Response Adjustment . . . . .	2-45
11. Calibrator Amplitude Adjustment . . . . .	2-48
12. 10 MHz Reference Adjustment (Non-Option 003 only) . . . . .	2-50
13. Demodulator Adjustment . . . . .	2-52
14. External Mixer Bias Adjustment . . . . .	2-55

15. External Mixer Amplitude Adjustment . . . . .	2-57
16. Second IF Gain Adjustment . . . . .	2-60
17. Signal ID Oscillator Adjustment . . . . .	2-63
18. 600 MHz Amplitude Adjustment . . . . .	2-66
19. 10 MHz Reference Adjustment (Option 003) . . . . .	2-68
20. Tracking Oscillator Adjustment (Option 002) . . . . .	2-71
<b>3. Assembly Replacement</b>	
Access to Internal Assemblies . . . . .	3-2
Cable Color Code . . . . .	3-2
Procedure 1. Analyzer Cover . . . . .	3-3
Procedure 2. A1 Front Frame/A18 CRT . . . . .	3-4
Procedure 3. A1A1 Keyboard/Front Panel Keys . . . . .	3-11
Procedure 4. A1A2 RPG . . . . .	3-12
Procedure 5. A2, A3, A4, and A5 Assemblies . . . . .	3-13
Procedure 6. A6 Power Supply Assembly . . . . .	3-19
Procedure 7. A6A1 High Voltage Assembly . . . . .	3-22
Procedure 8. A7 through A13 Assemblies . . . . .	3-25
A7 1st LO Distribution Amplifier . . . . .	3-28
A8 Low Band Mixer . . . . .	3-29
A9 Input Attenuator . . . . .	3-30
A10 Tracking Generator (Option 002) . . . . .	3-31
A11 YTO . . . . .	3-32
A13 Second Converter . . . . .	3-33
Procedure 9. A14 and A15 Assemblies . . . . .	3-34
Procedure 10. A17 CRT Driver . . . . .	3-37
Procedure 11. B1 Fan . . . . .	3-38
Procedure 12. BT1 Battery . . . . .	3-39
Procedure 13. Rear Frame/Rear Dress Panel . . . . .	3-40
Procedure 14. W3 Line Switch Cable . . . . .	3-44
Procedure 15. EEROM (A2U501) . . . . .	3-50
Procedure 16. A21 OCXO (Option 003) . . . . .	3-51
<b>4. Replaceable Parts</b>	
Ordering Information . . . . .	4-1
Direct Mail-Order System . . . . .	4-1
Direct Phone-Order System . . . . .	4-2
Parts List Format . . . . .	4-2
Firmware-Dependent Part Numbers . . . . .	4-2
<b>5. Major Assembly and Cable Locations</b>	
Introduction . . . . .	5-1

## 6. General Troubleshooting

Introduction . . . . .	6-1
Assembly Level Text . . . . .	6-1
Block Diagrams . . . . .	6-1
Assembly Test Points . . . . .	6-2
P a d . . . . .	6-2
Test Jack . . . . .	6-2
Ribbon Cables . . . . .	6-2
WR PROT/WR ENA Softkey Menus . . . . .	6-6
Troubleshooting to a Functional Section . . . . .	6-8
Using the TAM . . . . .	6-10
Diagnostic Functions . . . . .	6-10
TAM Requirements . . . . .	6-11
Test Connectors . . . . .	6-11
Revision Connectors . . . . .	6-11
Inconsistent Results . . . . .	6-12
Erroneous Results . . . . .	6-12
Blank Display . . . . .	6-12
Automatic Fault Isolation . . . . .	6-12
Display/Power Supply . . . . .	6-12
Controller Check . . . . .	6-12
ADC/Interface Check . . . . .	6-13
IF/LOG Check . . . . .	6-13
LO Control Check . . . . .	6-13
RF Check . . . . .	6-13
Manual Probe Troubleshooting . . . . .	6-13
Cal Osc. Troubleshooting Mode . . . . .	6-14
Error Messages . . . . .	6-15
Viewing Multiple Messages . . . . .	6-15
Error Message Elimination . . . . .	6-16
System Analyzer Programming Errors (100 to 150) . . . . .	6-16
ADC Errors (200 to 299) . . . . .	6-17
LO and RF Hardware/Firmware Failures (300 to 399) . . . . .	6-18
YTO Loop Errors (300 to 301) . . . . .	6-18
Roller PLL Errors (302 to 316) . . . . .	6-18
YTO Loop Errors (317 to 318) . . . . .	6-20
Roller Oscillator Errors (321 to 329) . . . . .	6-20
YTO Loop Errors (331) . . . . .	6-21
600 MHz Reference Loop (333) . . . . .	6-21
YTO Leveling Loop (334) . . . . .	6-22
Sampling Oscillator (335) . . . . .	6-22
Automatic IF Errors (400 to 599) . . . . .	6-22
System Errors (600 to 651) . . . . .	6-31
Digital and Checksum Errors (700 to 799) . . . . .	6-31
EEROM Checksum Errors (700 to 704) . . . . .	6-31
Program ROM Check-sum Errors (705 to 710) . . . . .	6-32
RAM Check Errors (711 to 719) . . . . .	6-33
Microprocessor Error (717) . . . . .	6-33
Battery Problem (718) . . . . .	6-33
Model Number Error (719) . . . . .	6-34
System Errors (750 to 757) . . . . .	6-34



Option Module Errors (800 to 899)	6-34
User-Generated Errors (902 to 904)	6-34
Block Diagram Description	6-35
RF Section	6-36
A7 LODA	6-36
A8 Low Band Mixer	6-36
A9 Input Attenuator	6-36
A11 YTO	6-36
A13 Second Converter	6-37
A15A1 Second IF Distribution Amplifier (P/O A15)	6-37
Third Converter (P/O A15)	6-37
Flatness Compensation Amplifiers (P/O A15)	6-37
Synthesizer Section	6-37
Sweeping the First LO	6-37
Reference PLL (P/O A15)	6-38
YTO PLL (A7, A11, P/O A14, P/O A15)	6-38
Offset Lock Loop (P/O A15)	6-38
Roller Oscillator PLL (P/O A14)	6-39
IF Section	6-39
A4 LOG Amplifier/Cal Oscillator assembly	6-40
A5 IF Assembly	6-40
ADC/Interface Section	6-41
ADC	6-42
Log Expand/Video Functions (P/O A3)	6-42
Triggering	6-42
Controller Section	6-42
EEROM	6-43
Firmware	6-43
Display ASM	6-43
Display/Power Supply Section	6-43
A6 Power Supply	6-43
A17 CRT Display Driver	6-43

## 7. ADC/Interface Section

Troubleshooting Using the TAM	7-4
Automatic Fault Isolation	7-4
Keyboard/RPG Problems	7-7
Keyboard Interface	7-7
RPG Interface	7-8
Triggering Problems	7-9
Flatness Control (RF Gain DACs)	7-11
A3 Assembly's Video Circuits	7-12
Log Offset/Log Expand	7-14
Video MUX	7-15
Video Filter	7-15
Video Filter Buffer Amplifier	7-16
Positive/Negative Peak Detectors	7-17
Peak Detector Reset	7-18
Rosenfell Detector	7-18
ADCMUX	7-19
Variable Gain Amplifier (VGA)	7-21

Track and Hold . . . . .	7-21
A3 Assembly's ADC Circuits . . . . .	7-22
ADC Control Signals . . . . .	7-22
ADC Start/Stop Control . . . . .	7-23
ADC ASM . . . . .	7-24
ADC . . . . .	7-24
Ramp Counter . . . . .	7-25
A3 Assembly's Control Circuits . . . . .	7-26
Analog Bus Drivers . . . . .	7-26
Analog Bus Timing . . . . .	7-27
Interface Strobe Select . . . . .	7-28

## 8. IF Section

Troubleshooting Using the TAM . . . . .	8-3
Troubleshooting A4 Log Amplifier with the TAM . . . . .	8-4
Troubleshooting A5 with the TAM . . . . .	8-4
Troubleshooting A4 Cal Oscillator with the TAM . . . . .	8-8
Automatic IF Adjustment . . . . .	8-9
Parameters Adjusted . . . . .	8-10
Requirements . . . . .	8-11
Performance Test Failures . . . . .	8-12
IF Gain Uncertainty Performance Test . . . . .	8-12
Scale Fidelity Performance Test . . . . .	8-13
Resolution Bandwidths Performance Tests . . . . .	8-13
A4 Assembly's Log Amplifier Circuits . . . . .	8-14
Log Amplifier . . . . .	8-14
Linear Amplifiers . . . . .	8-15
Video Offset . . . . .	8-16
Video Output . . . . .	8-16
Frequency Counter Prescaler/Conditioner . . . . .	8-17
AM/FM Demodulator . . . . .	8-17
4.8 kHz IF Filters . . . . .	8-17
4.8 kHz and 10.7 MHz IF Filters . . . . .	8-18
10.6952 MHz VCXO . . . . .	8-19
Input Switch . . . . .	8-19
LO Switch . . . . .	8-19
Synchronous Detector . . . . .	8-20
Limiter . . . . .	8-20
Isolation Amplifier . . . . .	8-20
Detector/Mixer . . . . .	8-20
Log Offset/Gain Compensation . . . . .	8-21
Log Offset Compensation . . . . .	8-21
Log Gain Compensation . . . . .	8-21
Video Mux . . . . .	8-21
A5 IF Section . . . . .	8-22
IF Signature . . . . .	8-23
Common IF Signature Problems . . . . .	8-28
1 MHz Resolution Bandwidth Problems . . . . .	8-30
30 kHz Resolution Bandwidth Problems . . . . .	8-32
3 kHz and 10 kHz Resolution Bandwidth Problems . . . . .	8-32
Step Gains . . . . .	8-33

A4 Assembly's Cal Oscillator Circuit . . . . .	8-34		
Cal Oscillator Unlock at Beginning of IF Adjust . . . . .	8-35		
Inadequate CAL OSC AMPTD Range . . . . .	8-35		
300 Hz to 3 kHz Resolution Bandwidth Out of Specification . . . . .	8	-	3 6
Low-Pass Filter . . . . .	8-40		
Sweep Generator . . . . .	8-40		
AM/FM Demodulation, Audio Amplifier, and Speaker . . . . .	8-40		

**9. Controller Section**

Troubleshooting Using the TAM . . . . .	9-1
Blank Display . . . . .	9-2
Digital Signature Analysis (DSA) . . . . .	9-4
Display Problems . . . . .	9-4
Line Generators . . . . .	9-4
Blanking . . . . .	9-5
Display Jumbled or Trace Off Screen . . . . .	9-7
Intensity . . . . .	9-10
Bad Characters or Graticule . . . . .	9-10
Long Lines Dimmer Than Short Lines . . . . .	9-11
Analog Zero-Span Problems . . . . .	9-12
Frequency-Count Marker Problems . . . . .	9-13
Frequency Counter . . . . .	9-14
State- and Trace-Storage Problems . . . . .	9-15
Keyboard Problems . . . . .	9-16

**10. Synthesizer Section**

Confirming a Faulty Synthesizer Section . . . . .	10-2
Troubleshooting Test Setup . . . . .	10-7
Troubleshooting Using the TAM . . . . .	10-8
General PLL Troubleshooting . . . . .	10-13
PLL Locked at Wrong Frequency . . . . .	10-13
Unlocked PLL . . . . .	10-13
Frequency Span Accuracy Problems . . . . .	10-15
Determining the First LO Span . . . . .	10-15
Confirming Span Problems . . . . .	10-16
YTO Main Coil Span Problems (LO Spans >20 MHz) . . . . .	10-16
YTO FM Coil Span Problems (LO Spans 1.01 MHz to 20 MHz) . . . . .	10-17
Roller Oscillator Span Problems (LO Spans ≤1 MHz) . . . . .	10-18
First LO Span Problems (All Spans) . . . . .	10-21
Unlocked YTO PLL . . . . .	10-23
Operation . . . . .	10-23
Troubleshooting an Unlocked YTO PLL . . . . .	10-25
Unlocked Roller Oscillator PLL . . . . .	10-32
Operation . . . . .	10-32
Confirming an Unlocked Condition . . . . .	10-32
Offset Oscillator PLL . . . . .	10-33
Transfer Oscillator PLL . . . . .	10-35
Main Oscillator PLL . . . . .	10-37
Unlocked Offset Lock Loop (Sampling Oscillator) . . . . .	10-39
Operation . . . . .	10-39
Troubleshooting . . . . .	10-39

Unlocked Reference PLL . . . . .	10-42
Operation . . . . .	10-42
Troubleshooting . . . . .	10-42
Third LO Driver Amplifier . . . . .	10-44
Sampler and Sampler IF . . . . .	10-45
Sweep Generator Circuit . . . . .	10-47
A21 OCXO (Option 003 only) . . . . .	10-52

## 11. RF Section

Troubleshooting Using the TAM . . . . .	11-2
Low Band Problems (50 Hz to 2.9 GHz) . . . . .	11-4
Low Band Problems . . . . .	11-5
A7 LODA (LO Distribution Amplifier) . . . . .	11-6
A9 Input Attenuator . . . . .	11-7
A13 Second Converter . . . . .	11-8
A14 Frequency Control Assembly . . . . .	11-9
A7 LODA Drive . . . . .	11-9
A15 RF Assembly . . . . .	11-10
Confirming a Faulty Third Converter . . . . .	11-10
Confirming Third Converter Output . . . . .	11-11
Third Converter . . . . .	11-11
Flatness Compensation Control . . . . .	11-13
Control Latches . . . . .	11-13
SIG ID Oscillator . . . . .	11-13
10 MHz Reference . . . . .	11-14
A10 Tracking Generator (Option 002) . . . . .	11-18
Block Diagram Description . . . . .	11-18
Tracking Oscillator . . . . .	11-18
Upconverter . . . . .	11-18
Pentupler . . . . .	11-18
Modulator . . . . .	11-18
Coupler . . . . .	11-18
Output Mixer . . . . .	11-18
Output Amplifier . . . . .	11-19
Bias Board . . . . .	11-19
Output Goes Unleveled (ERR 900 or ERR 901) . . . . .	11-19
Excessive Residual FM . . . . .	11-20
Flatness Out-of-Tolerance . . . . .	11-21
Vernier Accuracy Out-of-Tolerance . . . . .	11-21
Harmonic/Spurious Outputs Too High . . . . .	11-22
Power Sweep Not Functioning Properly . . . . .	11-23
No Power Output . . . . .	11-23

## 12. Display/Power Supply Section

Troubleshooting Using the TAM . . . . .	12-4
Blank Display . . . . .	12-5
Blank Display . . . . .	12-6
Display Distortion . . . . .	12-7
Focus Problems . . . . .	12-8
Intensity Problems . . . . .	12-9
A6 Power Supply Assembly . . . . .	12-11
Dead Power Supply . . . . .	12-11
Line Fuse Blowing . . . . .	12-13
Supply Restarting Every 1.5 Seconds (Kick Start) . . . . .	12-13
Low Voltage Supplies . . . . .	12-13
High Voltage Supplies . . . . .	12-14
CRT Supply Dropping Out . . . . .	12-15
Blanking Signal . . . . .	12-15
Buck Regulator Control . . . . .	12-16
DC-DC Converter Control . . . . .	12-16
Power Up . . . . .	12-17

### A. Component-Level Information Packets

#### Index

# Figures

---

1-1. Serial Number Label Example . . . . .	1-2
1-2. Example of a Static-Safe Workstation . . . . .	1-7
1-3. HP 8560A Shipping Container and Cushioning Materials . . . . .	1-10
2-1. High-Voltage Power Supply Adjustment Setup . . . . .	2-12
2-2. Display Adjustment Setup . . . . .	2-14
2-3. CRT Adjust Pattern . . . . .	2-17
2-4. A2 Display Adjustment Locations . . . . .	2-18
2-5. IF Bandpass Adjustment Setup . . . . .	2-20
2-6. IF Amplitude Adjustment Setup . . . . .	2-25
2-7. IF Amplitude Adjustment Locations . . . . .	2-26
2-8. Sampler Adjustment Setup . . . . .	2-33
2-9. Coarse-Tune Adjustment Setup . . . . .	2-35
2-10. YTO Adjustment Setup . . . . .	2-37
2-11. First LO Distribution Amplifier Adjustment Setup . . . . .	2-40
2-12. Tracking Generator Power Level Adjustments Setup and Adjustment Locations . . . . .	2-43
2-13. Frequency Response Adjustment Setup . . . . .	2-45
2-14. Calibrator Amplitude Adjustment Setup . . . . .	2-48
2-15. 10 MHz Frequency Reference Adjustment Setup . . . . .	2-50
2-16. Demodulator Adjustment Setup . . . . .	2-52
2-17. External Mixer Bias Adjustment Setup . . . . .	2-55
2-18. External Mixer Amplitude Adjustment Setup . . . . .	2-57
2-19. Location of A15A1 . . . . .	2-61
2-20. Signal ID Oscillator Adjustment Setup . . . . .	2-63
2-21. 600 MHz Amplitude Adjustment Setup . . . . .	2-66
2-22. 10 MHz Reference Adjustment (Option 003)/Setup and Adjustment Location	2-69
2-23. Tracking Oscillator Adjustment Setup . . . . .	2-72
3-1. Hinged Assemblies . . . . .	3-3
3-2. Discharging the Post-Accelerator Cable . . . . .	3-5
3-3. A9, A18, and Line-Switch Assembly Mounting Screws . . . . .	3-6
3-4. Front-Frame Mounting Screws . . . . .	3-7
3-5. Installing the CRT and Front-Frame Assemblies . . . . .	3-8
3-6. Placing the CRT into the Front Frame . . . . .	3-9
3-7. A2, A3, A4, and A5 Assembly Removal . . . . .	3-14
3-8. Assembly Cables (1 of 2) . . . . .	3-15
3-8. Assembly Cables (2 of 2) . . . . .	3-16
3-9. Coaxial Cable Clip . . . . .	3-17
3-10. HP-IB and A1A1 W1 Cable Placement . . . . .	3-18
3-11. A6 Power Supply Connections . . . . .	3-20
3-12. Power Supply Cover . . . . .	3-21
3-13. A17 CRT Driver Mounting Screws . . . . .	3-23
3-14. Assembly Locations . . . . .	3-26

3-15. RF Section Bias Connections . . . . .	3-27
3-16. A9 Mounting Screws at Right Frame . . . . .	3-30
3-17. A10 Tracking Generator Mounting Screws . . . . .	3-31
3-18. All Mounting Screws . . . . .	3-32
3-19. A14 and A15 Assembly Removal . . . . .	3-34
3-20. A14 and A15 Assembly Cables . . . . .	3-36
3-21. A17 Mounting Screws . . . . .	3-37
3-22. Main Deck Screws . . . . .	3-41
3-23. A6 Power-Supply Cover . . . . .	3-43
3-24. W3 Dress and Connection to A6 Power Supply . . . . .	3-45
3-25. Line Switch Mounting Screw and Cable Dress . . . . .	3-46
3-26. W3 Cable Connector . . . . .	3-47
3-27. Side Frame Mounting Screws . . . . .	3-49
3-28. A21 OCXO Mounting Screws . . . . .	3-51
4-1. Parts Identification, Assembly Mounting . . . . .	4-21
4-2. Parts Identification, Cover Assembly . . . . .	4-33
4-3. Parts Identification, Main Chassis . . . . .	4-35
4-4. Parts Identification, RF Section . . . . .	4-37
4-5. Parts Identification, Front Frame . . . . .	4-39
4-6. Parts Identification, Rear Frame . . . . .	4-41
5- 1. Hinged Assemblies . . . . .	5-4
5-2. Top View (A2 Unfolded) . . . . .	5-4
5-3. Top View (A2 and A3 Unfolded) . . . . .	5-5
5-4. Top View (A2, A3, A4, and A5 Unfolded) . . . . .	5-6
5-5. Bottom View (A15 Unfolded) . . . . .	5-7
5-6. Bottom View (A15 and A14 Unfolded) . . . . .	5-8
5-7. Front End . . . . .	5-9
5-8. Rear View . . . . .	5-10
6-1. Assembly Test Points . . . . .	6-3
6-2. Ribbon Cable Connections (1 of 2) . . . . .	6-4
6-3. WR ENA Softkey Menu . . . . .	6-7
6-4. Functional Sections . . . . .	6-35
6-5. Phase Lock Loops . . . . .	6-39
6-6. Simplified Block Diagram . . . . .	6-45
6-7. HP 8560A Overall Block Diagram (Sheet 1 of 3) . . . . .	6-47
6-7. HP 8560A Overall Block Diagram (Sheet 2 of 3) . . . . .	6-49
6-7. HP 8560A Overall Block Diagram (Sheet 3 of 3) . . . . .	6-51
7-1. A3 Test Connectors . . . . .	7-4
7-2. A3 Interface Assembly Block Diagram . . . . .	7-29
8-1. A4 and A5 Test Connectors . . . . .	8-3
8-2. IF Section Troubleshooting with TAM . . . . .	8-7
8-3. IF Adjust Signature . . . . .	8-25
8-4. Detailed IF Adjust Signature (1) . . . . .	8-25
8-5. Detailed IF Adjust Signature (2) . . . . .	8-26
8-6. Detailed IF Adjust Signature (3) . . . . .	8-26
8-7. Detailed IF Adjust Signature (4) . . . . .	8-27
8-8. Detailed IF Adjust Signature (5) . . . . .	8-27
8-9. Noisy Signature . . . . .	8-28
8-10. Noise with Correct Shape . . . . .	8-29
8-11. Region B Amplitude Variation . . . . .	8-29
8-12. Region B Amplitude Offset . . . . .	8-30

8-13. Faulty Crystal Short . . . . .	8-31
8-14. Faulty LC Pole . . . . .	8-31
8-15. Faulty Crystal Symmetry . . . . .	8-33
8-16. Output Waveform, 10 kHz Resolution Bandwidth . . . . .	8-37
8-17. Output Waveform, 3 kHz Resolution Bandwidth . . . . .	8-38
8-18. Output Waveform, 1 kHz Resolution Bandwidth . . . . .	8-38
8-19. Output Waveform, 300 Hz Resolution Bandwidth . . . . .	8-39
8-20. Failed Crystal Set Symptoms . . . . .	8-39
8-21. A4 Log Amplifier Block Diagram . . . . .	8-43
8-22. A5 IF Assembly Block Diagram . . . . .	8-45
8-23. Cal Oscillator Block Diagram . . . . .	8-47
9-1. A2 Test Connectors . . . . .	9-3
9-2. Line Generator Output Waveforms . . . . .	9-5
9-3. Blanking Waveforms . . . . .	9-6
9-4. Expanded Blanking Waveforms . . . . .	9-7
9-5. Switch Driver Waveform LCHAR . . . . .	9-8
9-6. Distorted X/Y Line Generator Waveforms . . . . .	9-9
9-7. Expanded X/Y Line Generator Waveforms . . . . .	9-9
9-8. Normal X/Y Line Generator Waveforms . . . . .	9-10
9-9. Delta X Waveform . . . . .	9-11
9-10. Delta Y Waveform . . . . .	9-12
9- 11. DEF1 Synchronization . . . . .	9-13
9-12. A2 Controller Block Diagram . . . . .	9-17
10-1. YTO Loop Test Setup . . . . .	10-5
10-2. Sampler and Sampling Oscillator Test Setup . . . . .	10-6
10-3. A14 and A15 Test Connectors . . . . .	10-8
10-4. PLL Locked at Wrong Frequency . . . . .	10-13
10-5. Unlocked PLL . . . . .	10-14
10-6. Input to YTO FM Coil Driver . . . . .	10-18
10-7. Input to Main/FM/VCO Sweep Switch . . . . .	10-19
10-8. Troubleshooting an Unlocked YTO PLL . . . . .	10-26
10-9. Simplified Sweep Generator . . . . .	10-47
10-10. Simplified Sweep Generator during Retrace . . . . .	10-48
10-11. Simplified Synthesizer Section . . . . .	10-49
10-12. Simplified A14 Assembly Block Diagram . . . . .	10-50
10-13. Simplified A15 Assembly Block Diagram . . . . .	10-51
10-14. Frequency Control Block Diagram . . . . .	10-53
10-15. RF Assembly Block Diagram . . . . .	10-54
11-1. A14 and A15 Test Connectors . . . . .	11-2
11-2. A7 LODA Drive . . . . .	11-10
11-3. 10 MHz Reference at A15J302 . . . . .	11-15
11-4. 10 MHz TTL-Reference at U303 Pin 5 . . . . .	11-16
11-5. HP 8560A RF Section Troubleshooting Block Diagram . . . . .	11-25
12-1. Simplified Section Block Diagram . . . . .	12-2
12-2. A17 Test Connector . . . . .	12-5
12-3. Probe Power Socket . . . . .	12-7
12-4. Buck Regulator Waveform . . . . .	12-12
12-5. A6 Power Supply Block Diagram . . . . .	12-19
12-6. A17 CRT Driver Block Diagram . . . . .	12-21
A-1. Interconnect Diagram . . . . .	A-7



# Tables

---

1-1. Service Kit Contents . . . . .	1-6
1-2. Static-Safe Accessories . . . . .	1-8
1-3. Hewlett-Packard Sales and Service Offices . . . . .	1-12
1-4. Recommended Test Equipment . . . . .	1-13
2-1. Related Adjustments (1 of 2) . . . . .	2-4
2-1. Related Adjustments (2 of 2) . . . . .	2-5
2-2. Adjustable Components (1 of 3) . . . . .	2-6
2-2. Adjustable Components (2 of 3) . . . . .	2-7
2-2. Adjustable Components (3 of 3) . . . . .	2-8
2-3. Factory Selected Components . . . . .	2-8
2-4. TAM Adjustments . . . . .	2-10
2-5. Required Test Equipment for TAM . . . . .	2-10
2-6. Factory-Selected LC Filter Capacitors . . . . .	2-22
2-7. LC Factory-Selected Capacitor Selection . . . . .	2-22
2-8. Factory-Selected XTAL Filter Capacitors . . . . .	2-23
2-9. XTAL Factory-Selected Capacitor Selection . . . . .	2-23
2-10. Capacitor Part Numbers . . . . .	2-24
2-11. Sampling Adjustments . . . . .	2-36
2-12. Conversion Loss Data . . . . .	2-59
2-13. A15U802 Values . . . . .	2-62
2-14. Tracking Oscillator Range Centering . . . . .	2-73
3-1. Required Tools . . . . .	3-2
4-2. Reference Designations, Abbreviations and Multipliers (1 of 4) . . . . .	4-3
4-2. Reference Designations, Abbreviations, and Multipliers (2 of 4) . . . . .	4-4
4-2. Reference Designations, Abbreviations, and Multipliers (3 of 4) . . . . .	4-5
4-2. Reference Designations, Abbreviations, and Multipliers (4 of 4) . . . . .	4-6
4-3. Manufacturers Code List (1 of 3) . . . . .	4-7
4-4. Replaceable Parts . . . . .	4-10
6-1. Location of Assembly Troubleshooting Text . . . . .	6-9
7-1. W2 Control Cable Connections (1 of 2) . . . . .	7-2
7-2. Automatic Fault Isolation References . . . . .	7-5
7-3. TAM Tests Versus A3 Test Connectors . . . . .	7-6
7-4. Keyboard Matrix . . . . .	7-7
7-5. Counter Frequencies . . . . .	7-9
7-6. Trigger MUX Truth Table . . . . .	7-9
7-7. A3U102 Latch Outputs . . . . .	7-16
7-8. HMUX_SELO/1 Versus Detector Mode . . . . .	7-18
7-9. Logic Levels at A3U108 . . . . .	7-20
7-10. Demultiplexer A3U410 Truth Table . . . . .	7-28
7-11. Demultiplexer A3U500 Truth Table . . . . .	7-28
8-1. Automatic Fault Isolation References . . . . .	8-4
8-2. TAM Tests Versus Test Connectors (1 of 2) . . . . .	8-5
8-3. Sweep Width Settings . . . . .	8-9

8-4. Available Reference Level Range . . . . .	8-12
8-5. Signal Level for Reference Level Display . . . . .	8-12
9-1. TAM Tests Versus Test Connectors . . . . .	9-2
9-2. Gate Times . . . . .	9-14
10-1. Center Frequency Tuning Values . . . . .	10-3
10-2. Sampling Oscillator Test Frequencies . . . . .	10-7
10-3. YTO Frequency in TEST Position . . . . .	10-8
10-4. Automatic Fault Isolation References (1 of 2) . . . . .	10-9
10-4. Automatic Fault Isolation References (2 of 2) . . . . .	10-10
10-5. TAM Tests versus Test Connectors (1 of 2) . . . . .	10-11
10-5. TAM Tests versus Test Connectors (2 of 2) . . . . .	10-12
10-6. Sweep Signal Destination versus Span . . . . .	10-15
10-7. Harmonic Mixing Number versus Center Frequency . . . . .	10-15
10-8. Settings of Sweep Switches . . . . .	10-17
10-9. Settings of Sweep Switches . . . . .	10-19
10-10. Settings for Switches and Comparators . . . . .	10-22
10- 11. Amplifier Polarities . . . . .	10-25
10-12. YTO Frequency Errors with A14J23 on Pins 2 and 3 . . . . .	10-28
10-13. Voltages in FM Coil and Main Loop Drivers . . . . .	10-30
10-14. Main Coil Coarse and Fine DACs Voltages . . . . .	10-31
10-15. Sampling Oscillator PLL Divide Ratios . . . . .	10-40
11-1. Automatic Fault Isolation References . . . . .	11-3
11-2. TAM Tests versus Test Connectors . . . . .	11-4
11-3. Attenuator Pin Values . . . . .	11-7
11-4. RF Section Mnemonic Table . . . . .	11-17
12-1. W1 Power-Cable Connections (1 of 2) . . . . .	12-3
12-1. W1 Power-Cable Connections (2 of 2) . . . . .	12-4
12-2. Automatic Fault Isolation References . . . . .	12-4
12-3. TAM Tests versus Test Connectors . . . . .	12-5
A-1. HP 8560A Spectrum Analyzer Documented Assemblies . . . . .	A-2
A-2. A4 and A16 Assemblies Shipped with HP 8560As Serial Prefixed below 3207A . . . . .	A-4
A-3. A15 RF Assemblies Shipped with HP 8560As Serial Prefixed below 3029A . . . . .	A-5

## General Information

---

This *HP 8560A Spectrum Analyzer Service Manual* contains information required to adjust and service the HP 8560A Spectrum Analyzer to the assembly level.

For component-level information, refer to the *HP 8560A/61B/63A Spectrum Analyzer Component Level Information*.

---

### Manual Organization

**Chapter 1, General Information**, contains information about service kit contents, recommended test equipment, returning an instrument for service, and sales and service offices.

**Chapter 2, Adjustment Procedures**, contains the necessary adjustment procedures to adjust the instrument properly after repair.

**Chapter 3, Assembly Replacement**, contains instructions for removal and replacement of all major assemblies.

**Chapter 4, Replaceable Parts**, contains the information necessary to order parts or assemblies for the instrument.

**Chapter 5, Major Assembly and Cable Locations**, contains figures identifying all major assemblies and cables.

**Chapter 6, General Troubleshooting**, contains instrument-level troubleshooting information, block diagrams, and troubleshooting information covering the instrument's six functional areas.

**Chapters 7 through 12** contain troubleshooting information covering the instrument's six functional areas.

**Appendix** contains the component-level documented assemblies matrix and the HP 8560A Interconnect Diagram.

---

## Manual Text Conventions

The following text conventions are used throughout this manual:

- Key**      Boxed text in this typeface represents a mechanical key physically located on the instrument.
- Softkeys**      Shaded text indicates a softkey. Softkey labels appear on the display and can be activated by pressing corresponding keys surrounding the display. The labels displayed are determined by the mechanical front-panel key depressed and the instrument's firmware.
- Display Text**      Text printed in this typeface indicates text appearing on the screen.

---

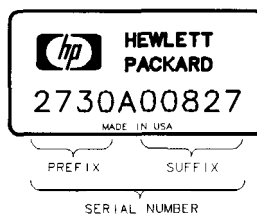
## Serial Numbers Covered by This Manual

This service manual applies directly to HP 8560A spectrum analyzers with serial numbers prefixed 3207A and above. For HP 8560A spectrum analyzers with serial numbers prefixed below 3207A, order HP Part Number 08560-90038.

Hewlett-Packard makes frequent improvements to its products to enhance their performance, usability, or reliability. HP service personnel have access to complete records of design changes to each type of equipment, based on the equipment's serial number. Whenever you contact HP about your analyzer, have the complete serial number available to ensure obtaining the most complete and accurate information possible.

The serial number label is attached to the rear of the analyzer. The serial number has two parts: the prefix (the first four numbers and a letter), and the suffix (the last five numbers). See Figure I-1.

The first four numbers of the prefix are a code identifying the date of the last major design change incorporated in your analyzer. The letter identifies the country in which the unit was manufactured. The five-digit suffix is a sequential number and is different for each unit. Whenever you list the serial number or refer to it in obtaining information about your analyzer, be sure to use the complete number, including the full prefix and the suffix.



5K-1124

**Figure I-1. Serial Number Label Example**

---

## Instrument Variations

The following text lists the unique assemblies contained in the HP 8560A Options 001, 002, 003, and all combinations.

### HP 8560A Option 001 (Rear-Panel 2nd IF Output)

A15 RF Assembly	unique part number
W19	added
Rear-panel J10	added

### HP 8560A Option 002 (Tracking Generator)

A10 Tracking Generator	added
A15 RF Assembly	unique part number
Front dress-panel	unique part number
w 14	added
W16	added
W36	deleted
W42	deleted
w 43	added
W46	added
w 47	added
W48	added
Rear-panel J 11	added
Front-panel J3	deleted
Front-panel J6	added

### HP 8560A Option 012 (001 + 002)

A15 RF Assembly	unique part number
W19	added
Rear-panel J10	added
A10 Tracking Generator	added
Front dress-panel	unique part number
w 14	added
W16	added
W36	deleted
W42	deleted
w 43	added

W46	added
w 47	added
W48	added
Rear-panel J 11	added
Front-panel J3	deleted
Front-panel J6	added

**HP 8560A Option 003 (Precision Frequency Reference)**

A15 RF Assembly	unique part number
A21 OCXO	added
w49	added
W50	added

**HP 8560A Option 013 (001 + 003)**

A15 RF Assembly	unique part number
W19	added
Rear-panel J10	added
A21 OCXO	added
w49	added
W50	added

**HP 8560A Option 023 (002 + 003)**

A15 RF Assembly	unique part number
A10 Tracking Generator	added
Front dress-panel	unique part number
w 14	added
W16	added
W36	deleted
W42	deleted
w 43	added
W46	added
w 47	added
W48	added
Rear-panel J11	added
Front-panel J3	deleted

Front-panel J6	added
A21 OCXO	added
w49	added
W50	added

**HP 8560A Option 123 (001 + 002 + 003)**

A15 RF Assembly	unique part number
W19	added
Rear-panel J10	added
A10 Tracking Generator	added
Front dress-panel	unique part number
w14	added
W16	added
W36	deleted
W42	deleted
w43	added
W46	added
w47	added
W48	added
Rear-panel J11	added
Front-panel J3	deleted
Front-panel J6	added
A21 OCXO	added
w49	added
W50	added

---

## HP 85629B Test and Adjustment Module

When attached to the spectrum analyzer's rear panel, the HP 85629B Test and Adjustment Module (TAM) provides diagnostic functions for the HP 8560A. Because the TAM connects directly to the analyzer's internal data and address bus, it controls the analyzer's hardware directly. It would be impossible to control the hardware to the same extent either from the analyzer's front panel or over the HP-IB.

The TAM measures voltages at key points in the circuitry and flags a failure whenever the voltage falls outside the limits. The TAM locates the failure to a small functional area which can be examined manually.

---

## Service Kit

The HP 8560A Service Kit (HP part number 08562-60021) contains service tools required to repair the instrument. Refer to Table I-1 for a list of items in the service kit.

**Table I-1. Service Kit Contents**

Description	Quantity	HP Part Number
Cable Puller	1	5021-6773
PC Board Prop	1	5021-7459
Line Filter Assembly	1	5061-9032
Line Switch Cable	1	5062-0728
Extender Cable	1	5062-0737
BNC to SMB (snap-on) Cable	2	85680-60093
Connector Extractor Tool Kit	1	8710-1791

---

## Recommended Test Equipment

Equipment required for operation verification, performance tests, adjustments, troubleshooting, and the Test and Adjustment Module is listed in Table I-4. Other equipment may be substituted if it meets or exceeds the critical specifications listed in the table. Refer to the *HP 8560A Installation and Verification Manual* for the performance tests.



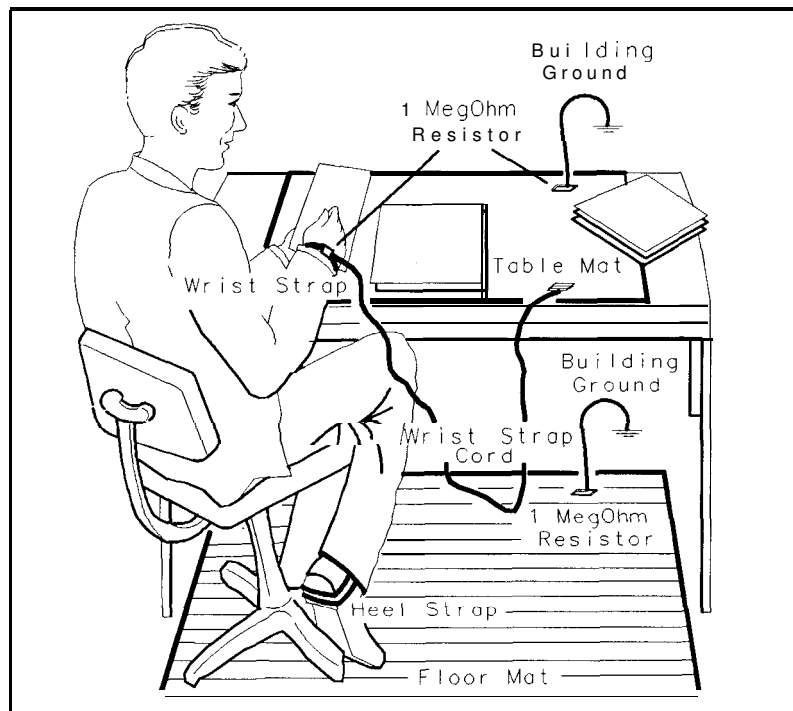
---

## Electrostatic Discharge

Electrostatic discharge (ESD) can damage or destroy electronic components. Therefore, all work performed on assemblies consisting of electronic components should be done at a static-free workstation. Figure 1-2 is an example of a static-safe work station using two kinds of ESD protection:

- Conductive table mat and wrist-strap combination.
- Conductive floor mat and heel-strap combination.

These methods may be used together or separately.



5111125

**Figure 1-2. Example of a Static-Safe Workstation**

### Reducing Potential for ESD Damage

The suggestions that follow may help reduce ESD damage that occurs during instrument testing and servicing.

- Before connecting any coaxial cable to an analyzer connector for the first time each day, momentarily ground the center and outer connectors of the cable.
- Personnel should be grounded with a resistor-isolated wrist strap before touching the center in of any connector and before removing any assembly from the unit.
- Be sure all instruments are properly earth-grounded to prevent build-up of static discharge.

## Static-Safe Accessories

Table 1-2. Static-Safe Accessories

HP Part Number	Description
9300-0797	Set includes: 3M static control mat 0.6 m x 1.2 m (2 ft x 4 ft) and 4.6 cm (15 ft) ground wire. (The wrist-strap and wrist-strap cord are not included. They must be ordered separately.)
9300-0980	Wrist-strap cord 1.5 m (5 ft)
9300-1383	Wrist-strap, color black, stainless steel, without cord, has four adjustable links and a 7 mm post-type connection.
9300-1169	ESD heel-strap (reusable 6 to 12 months).

---

## Returning Instruments for Service

### Service Tag

If you are returning the instrument to Hewlett-Packard for servicing, fill in and attach a blue service tag. Service tags are supplied in the back of this chapter.

Please be as specific as possible about the nature of the problem. If you have recorded any error messages that appeared on the screen, or have completed a performance test record, or have any other specific data on the performance of the analyzer, please send a copy of this information with the unit.

### Original Packaging

Before shipping, pack the unit in the original factory packaging materials if they are available. If the original materials are unavailable, identical packaging materials may be acquired through any Hewlett-Packard Sales and Service Office. Descriptions of the packaging materials are listed in Figure 1-3.

### Other Packaging

---

**Caution** Analyzer damage can result from using packaging materials other than those specified. Never use styrene pellets in any shape as packaging materials. They do not adequately cushion the equipment or prevent it from shifting in the carton. They cause equipment damage by generating static electricity and by lodging in the analyzer fan.

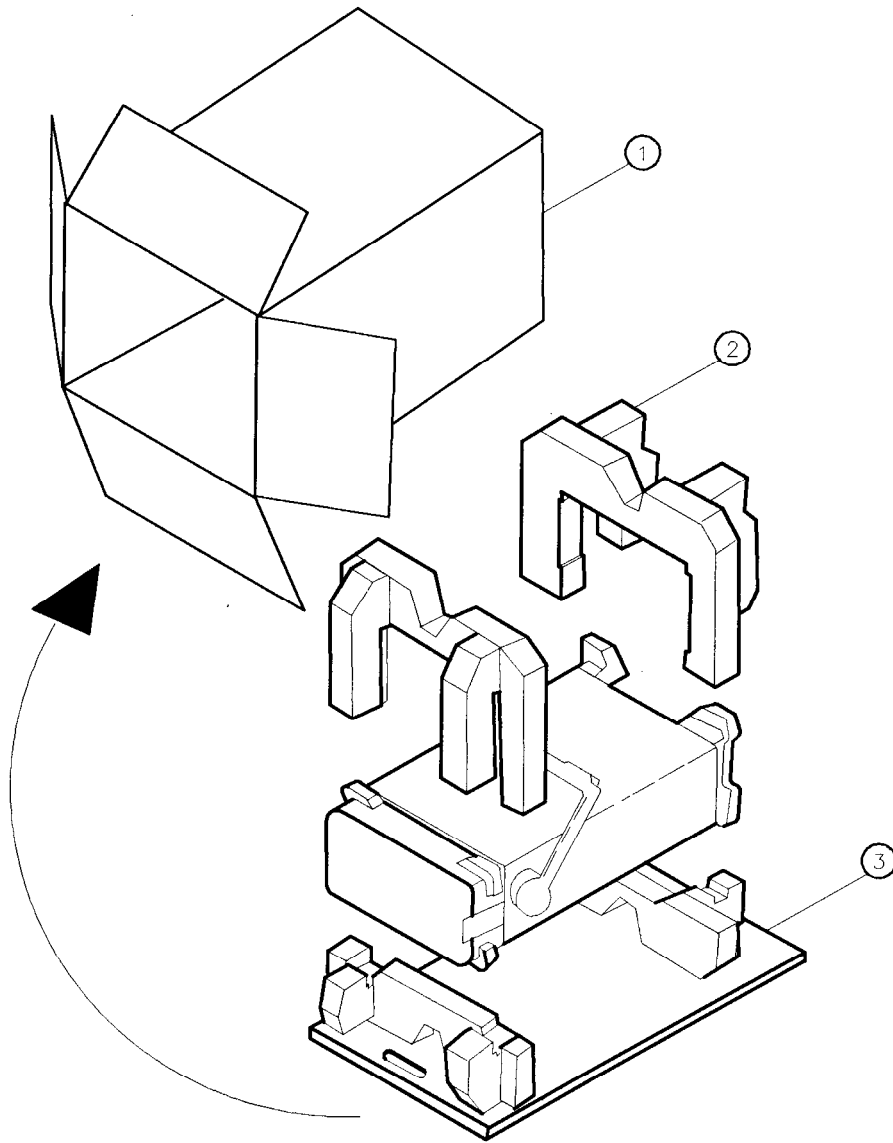
---

Repackage the analyzer in the original packaging materials or with commercially available materials described in steps 4 and 5, below.

1. Attach a completed service tag to the instrument.

## 1-8 General Information

2. Install the front-panel cover on the instrument.
3. Wrap the instrument in antistatic plastic to reduce the possibility of damage caused by electrostatic discharge.
4. Use the original materials or a strong shipping container that is double-walled, corrugated cardboard carton with 159 kg (350 lb) bursting strength. The carton must be both large enough and strong enough to accommodate the analyzer and allows at least 3 to 4 inches on all sides of the analyzer for packing material.
5. Surround the equipment with at least 3 to 4 inches of packing material, or enough to prevent the equipment from moving in the carton. If packing foam is unavailable, the best alternative is SD-240 Air Cap™ from Sealed Air Corporation (Commerce, CA 90001). Air Cap looks like a plastic sheet covered with 1-1/4 inch air-filled bubbles. Use the pink-colored Air Cap to reduce static electricity. Wrap the equipment several times in this material to both protect the equipment and prevent it from moving in the carton.
6. Seal the shipping container securely with strong nylon adhesive tape.
7. Mark the shipping container “FRAGILE, HANDLE WITH CARE” to assure careful handling.
8. Retain copies of all shipping papers.



SK1126

Item	Description	HP Part Number
1	9211-5636	Outer Carton
2	08590-80013	Pads (2)
3	08590-80014	Bottom Tray

Figure 1-3. HP 8560A Shipping Container and Cushioning Materials

---

## Sales and Service Offices

Hewlett-Packard has sales and service offices around the world providing complete support for Hewlett-Packard products. To obtain servicing information, or to order replacement parts, contact the nearest Hewlett-Packard Sales and Service Office listed in Table 1-3.

In any correspondence, be sure to include the pertinent information about model numbers, serial numbers, and assembly part numbers.

---

**Note** Within the USA, a toll-free phone number is available for ordering replacement parts. Refer to the “Ordering Information” section in Chapter 4, “Replaceable Parts,” for the phone number and more information.

---

**Table 1-3. Hewlett-Packard Sales and Service Offices**

<b>US FIELD OPERATIONS HEADQUARTERS</b>	<b>EUROPEAN OPERATIONS HEADQUARTERS</b>	<b>INTERCON OPERATIONS HEADQUARTERS</b>
Hewlett-Packard Company 19320 Pruneridge Avenue Cupertino, CA 95014, USA (800) 752-0900	Hewlett-Packard S.A. 150, Route du Nant-d'Avril 1217 Meyrin 2/Geneva Switzerland (41 22) 780.8111	Hewlett-Packard Company 3495 Deer Creek Rd. Palo Alto, California 94304-1316 (415) 857-5027
<b>California</b> Hewlett-Packard Co. 1421 South Manhattan Ave. Fullerton, CA 92631 (714) 999-6700	France Hewlett-Packard France 1 Avenue Du Canada Zone D'Activite De Courtaboeuf F-91947 Les Ulis Cedex	<b>Australia</b> Hewlett-Packard Australia Ltd. 31-41 Joseph Street Blackburn, Victoria 3130 (61 3) 895-2895
Hewlett-Packard Co. 301 E. Evelyn Mountain View, CA 94041 (415) 694-2000	France (33 1) 69 82 60 60	<b>Canada</b> Hewlett-Packard (Canada) Ltd. 17500 South Service Road Trans-Canada Highway Kirkland, Quebec H9J 2X8 Canada (514) 697-4232
<b>Colorado</b> Hewlett-Packard Co. 24 Inverness Place, East Englewood, CO 80112 (303) 649-5000	<b>Germany</b> Hewlett-Packard GmbH Bernner Strasse 117 6000 Frankfurt 56 West Germany (49 69) 500006-O	<b>Japan</b> Yokogawa-Hewlett-Packard Ltd. 1-27-15 Yabe, Sagamihara Kanagawa 229, Japan (81 427) 59-1311
<b>Georgia</b> Hewlett-Packard Co. 2000 South Park Place Atlanta, GA 30339 (404) 955-1500	<b>Great Britain</b> Hewlett-Packard Ltd. Eskdale Road, Winnersh Triangle Wokingham, Berkshire RG11 5DZ England (44 734) 696622	<b>China</b> China Hewlett-Packard, Co. 38 Bei San Huan XI Road Shuang Yu Shu Hai Dian District Beijing, China (86 1) 256-6888
<b>Illinois</b> Hewlett-Packard Co. 5201 Tollview Drive Rolling Meadows, IL 60008 (708) 255-9800		<b>Singapore</b> Hewlett-Packard Singapore Pte. Ltd. 1150 Depot Road Singapore 0410 (65) 273 7388
<b>New Jersey</b> Hewlett-Packard Co. 120 W. Century Road Paramus, NJ 07653 (201) 599-5000		<b>Taiwan</b> Hewlett-Packard Taiwan 8th Floor, H-P Building 337 Fu Hsing North Road Taipei, Taiwan (886 2) 712-0404
<b>Texas</b> Hewlett-Packard Co. 930 E. Campbell Rd. Richardson, TX 75081 (214) 231-6101		

**Table 1-4. Recommended Test Equipment**

Instrument	Critical Specifications for Equipment Substitution	Recommended Model	Use
Synthesized Sweeper <i>(two required)</i>	Frequency Range: 10 MHz to 7 GHz Frequency Accuracy (CW): $1 \times 10^{-9}$ /day Leveling Modes: Internal & External Modulation Modes: AM & Pulse Power Level Range: -80 to +16 dBm	HP 8340A*	P,A,T, M,V
Synthesizer/ Level Generator	Frequency Range: 200 Hz to 80 MHz Frequency Accuracy: $1 \times 10^{-7}$ /month Flatness: f0.15 dB Attenuator Accuracy: $<\pm 0.09$ dB	HP 3335A*	P,A,T, M,V
Synthesized Signal Generator	Frequency Range: 5 MHz to 2.5 GHz Residual SSB Phase Noise at 10 kHz offset (320 MHz $<f_c < 640$ MHz): $<-131$ dBc/Hz	HP 8663A	P,V
Pulse/Function Generator	Frequency Range: 10 kHz to 50 MHz Pulse Width: 200 ns; Output Amplitude: 5 V peak-to-peak Functions: Pulse & Triangle TTL Sync Output	HP 8116A	P
AM/FM Signal Generator	Frequency Range: 1 MHz to 200 MHz Frequency Modulation Mode Modulation Oscillator Frequency: 1 kHz FM Peak Deviation: 5 kHz	HP 8640B	A
Microwave Frequency Counter	Frequency Range: 9 MHz to 6.9 GHz Time base Accuracy (Aging): $<5 \times 10^{-10}$ /day of External Frequency Reference Input	HP 5343A* Option 001	P,A,M,V
Universal Counter	Modes: TI A►B, Frequency Count Time Interval Measurement Range: 20 ms to 75 s Frequency Measurement Range: 17 kHz to 11 MHz Frequency Resolution: 1 MHz at 10 MHz External Frequency Reference Input Time base accuracy (Aging): $<3 \times 10^{-7}$ /month	HP 5334A/B	P
Oscilloscope	Bandwidth (3 dB): dc to 100 MHz Minimum Vertical Deflection Factor: $\leq 2$ mV/div	HP 1980A/B*	A , T
Spectrum Analyzer	Frequency Range: 4 kHz to 7 GHz Typical Residual FM: $<1$ Hz Pk-to-Pk in 100 ms (Fundamental Mixing)	HP 8566A/B	P,A,T
<p>* Part of Microwave Workstation P = Performance Tests; A = Adjustments; M = Test &amp; Adjustment Module; T = Troubleshooting; V = Operation Verification</p>			

**Table 1-4. Recommended Test Equipment (continued)**

<b>Instrument</b>	<b>Critical Specifications for Equipment Substitution</b>	<b>Recommended Model</b>	<b>Use</b>
Measuring Receiver	Compatible w/Power Sensors dB Relative Mode Resolution: 0.01 dB Reference Accuracy: $<\pm 1.2\%$	HP 8902A*	P,A,T, M,V
Power Sensor	Frequency Range: 50 MHz to 6.9 GHz Maximum SWR: 1.15 (50 to 100 MHz) 1.10 (100 MHz to 2 GHz) 1.15 (2.0 to 6.5 GHz) 1.20 (12.4 to 18 GHz)	HP 8485A*	P,A,T, M,V
Power Sensor	Frequency Range: 250 MHz to 350 MHz Power Range: 100 nW to 10 $\mu$ W Maximum SWR: 1.15 (250 to 350 MHz)	HP 8484A	P,A
Power Sensor	Frequency Range: 100 kHz to 2.9 GHz Maximum SWR: 1.1 (1 MHz to 2.0 GHz) 1.30 (2.0 GHz to 2.9 GHz)	HP 8482A*	P,A,T, M,V
Amplifier	Frequency Range: 2.0 to 2.9 GHz Minimum Output Power (Leveled) 2.0 to 8.0 GHz: \$16 dBm Output SWR (Leveled): $<1.7$	HP 11975	P
Digital Voltmeter	Range: -15 V dc to +120 V dc Accuracy: $<\pm 1$ mV on 10 V Range Input Impedance: $\geq 1$ M $\Omega$	HP 3456A*	A
DVM Test Leads	$\geq 36$ inches, alligator clips, probe tips	HP 34118A	A,T
10 dB Step Attenuator	Attenuation Range: 30 dB Frequency Range: dc to 80 MHz Connectors: BNC (f)	HP 355D	P,V
1 dB Fixed Attenuator	Attenuation Range: 12 dB Frequency Range: dc to 80 MHz Connectors: BNC (f)	HP 355C	P,V,A

\* Part of Microwave Workstation

P = Performance Tests; A = Adjustments; M = Test & Adjustment Module; T = Troubleshooting  
V = Operation Verification



**Table 1-4. Recommended Test Equipment (continued)**

<b>Instrument</b>	<b>Critical Specifications for Equipment Substitution</b>	<b>Recommended Model</b>	<b>Use</b>
20 dB Fixed Attenuator	Frequency Range: dc to 6.5 GHz Attenuation Accuracy: <±1 dB Maximum SWR: 1.2 (dc to 6.5 GHz)	HP 8491B Option 020	P,V
10 dB Fixed Attenuator	Frequency Range: dc to 6.5 GHz Attenuation Accuracy: <±0.6 dB Maximum SWR: 1.2 (dc to 6.5 GHz)	HP 8491B Option 010	P,V
Signature Multimeter	Clock Frequency >10 MHz	HP 5005A/B	T
Reference Attenuator	Supplied with HP 8484A	HP 11708A	P,A
Termination	Frequency Range: dc to 22 GHz Impedance: 50Ω Maximum SWR: <1.22 Connector: APC 3.5	HP 909D	P,M,V
Low-Pass Filter	Cutoff Frequency: 50 MHz Rejection at 80 MHz: >50 dB	0955-0306	P,M,V
12 MHz Low-Pass-Filter	Cutoff Frequency: 12 MHz g-element Tchebychev, 0.1 dB ripple Rejection at 18 MHz: >45 dB	0955-0518	P
Directional Bridge	Frequency Range: 5 MHz to 50 MHz Coupling: 6.0 dB (nominal) Directivity: 30 dB minimum VSWR: <1.45	HP 8721A	P
Power Splitter	Frequency Range: 1 kHz to 22 GHz Insertion Loss: 6 dB (nominal) Output Tracking: <0.25 dB Equivalent Output SWR: <1.22	HP 11667B	P,A,M,V
Product Support Kit	No Substitute	08562-60021	A,T
Adapter	Type N (f) to BNC (m)	1250-1477	A
Adapter <i>(three required)</i>	Type N (m) to BNC (f)	1250-1476	P,V
Adapter	Type N (f) to BNC (f)	1250-1474	P,V
Adapter	Type N (f) to APC 3.5 (m)	1250-1750	A
Adapter <i>(two required)</i>	Type N (m) to APC 3.5 (m)	1250-1743	P,A,M,V
Adapter	Type N (m) to APC 3.5 (f)	1250-1744	P,A,V
P = Performance Tests; A = Adjustments; M = Test & Adjustment Module; T = Troubleshooting; V = Operation Verification			

**Table 1-4. Recommended Test Equipment (continued)**

<b>Instrument</b>	<b>Critical Specifications for Equipment Substitution</b>	<b>Recommended Model</b>	<b>Use</b>
Adapter <i>(two required)</i>	Type N (f) to APC 3.5 (f)	1250-1745	P,V
Adapter <i>(two required)</i>	Type N (m) to SMA (f)	1250-1250	P,V
Adapter	Type N (f) to SMA (f)	1250-1772	P,A
Adapter	BNC (f) to BNC (f)	1250-0059	A
Adapter	BNC Tee (m) (f) (f)	1250-1781	P,A,M,V
Adapter	BNC (f) to SMA (m)	1250-1200	P,A,V
Adapter	BNC (f) to Dual Banana Plug	1251-2816	A
Adapter <i>(two required)</i>	APC 3.5 (f) to APC 3.5 (f)	5061-5311	P,A,M,V
Test Cable	Connectors: BNC (m) to SMB (f) Length: $\geq 61$ cm (24 in.)	85680-60093	A,M
Cable, RG-214/U	Connectors: Type N (m) Length: $\geq 91$ cm (36 in.)	11500A	P,V
Cable, 50 $\Omega$ Coaxial <i>(five required)</i>	Connectors: BNC (m) Length: $\geq 122$ cm (48 in.)	HP 10503A	P,A,V
Cable, HP-IB <i>(12 required)</i>	Required w/Performance Test Software Required w/HP 85629B Test & Adjustment Module Length: 2 m (6.6 ft.)	HP 10833B	P,A,M
Cable <i>(three required)</i>	Frequency Range: 10 kHz to 6.9 GHz Maximum SWR: <1.4 at 6.9 GHz Maximum Insertion Loss: 2 dB Connectors: APC 3.5 (m), both ends Length: $\geq 91$ cm (36 in.)	8120-4921	P,A,M,V
Photometer/ Radiometer	No Substitute	Tek J16-TV	A
Controller	Required to run Operation Verification Software No substitute.	HP 9816A, HP 9836A/C, or HP 310	V
Power Supply	Output Voltage: $\geq 24$ V dc Output Voltage Accuracy: $< \pm 0.2$ V	HP 6114A	A
Tuning Tool	N/A	8710-1010	A
P = Performance Tests; A = Adjustments; M = Test & Adjustment Module; T = Troubleshooting V = Operation Verification			

## Adjustment Procedures

---

### Introduction

This chapter contains information on automated and manual adjustment procedures for the HP 8560A spectrum analyzer. Perform the automated procedures using the HP 85629B Tests and Adjustment Module (TAM). Never perform adjustments as routine maintenance. Adjustments should be performed after a repair or performance test failure.

Introduction .....	..2- 1
Safety Considerations .....	..2- 2
Which Adjustments Should Be Performed? .....	..2-2
Test Equipment .....	..2- 2
Adjustable and Factory-Selected Components .....	..2-2
Adjustment Tools .....	..2- 3
Instrument Service Position .....	..2- 3
Using the TAM .....	..2-9
Test Equipment .....	..2- 9
Adjustment Indicator .....	..2- 9
1. High-Voltage Power Supply Adjustment .....	..2-12
2. Display Adjustment .....	..2-14
3. IF Bandpass Adjustment .....	2-20
4. IF Amplitude Adjustments .....	2-25
5. DC Log Amplifier Adjustments .....	..2-29
6. Sampling Oscillator Adjustment .....	2-33
7. YTO Adjustment .....	..2-3 7
8. First LO Distribution Amplifier Adjustment .....	..2-40
9. Tracking Generator Power Level Adjustments .....	..2-42
10. Frequency Response Adjustment .....	..2-45
11. Calibrator Amplitude Adjustment .....	2-48
12. 10 MHz Reference Adjustment (Non-Option 003 only) .....	..2-50
13. Demodulator Adjustment .....	..2-5 2
14. External Mixer Bias Adjustment .....	..2-55
15. External Mixer Amplitude Adjustment .....	..2-57
16. Second IF Gain Adjustment .....	..2-6 0
17. Signal ID Oscillator Adjustment .....	2-63
18. 600 MHz Amplitude Adjustment .....	..2-66
19. 10 MHz Reference Adjustment (Option 003) .....	..2-68
20. Tracking Oscillator Adjustment .....	..2-71

---

**Note**            Before performing any adjustments, allow the instrument to warm up for 5 minutes.

---

## Safety Considerations

Although this instrument has been designed in accordance with international safety standards, this manual contains information, cautions, and warnings which must be followed to ensure safe operation and to prevent damage to the instrument. Service and adjustments should be performed only by qualified service personnel.

---

**Warning**      **Adjustments in this section are performed with power supplied to the instrument and protective covers removed. There are voltages at many points in the instrument which can, if contacted, cause personal injury. Be extremely careful. Adjustments should be performed only by trained service personnel.**

---

---

**Warning**      **Power is still applied to this instrument with the LINE switch in the off position. Before removing or installing any assembly or printed circuit board, remove the line-power cord.**

---

---

**Warning**      **Capacitors inside the instrument may still be charged, even if the instrument has been disconnected from its source of supply.**

---

---

**Warning**      **Use a nonmetallic adjustment tool whenever possible.**

---

## Which Adjustments Should Be Performed?

Table 2-1 lists the manual adjustments that should be performed when an assembly is repaired or changed. It is important to perform the adjustments in the order indicated to ensure that the instrument meets its specifications.

## Test Equipment

The equipment required for the manual adjustment procedures is listed in Table 1-4, "Recommended Test Equipment ." Any equipment that satisfies the critical specifications given in the table may be substituted for the preferred test equipment.

## Adjustable and Factory-Selected Components

Table 2-2 lists the adjustable components by reference designation and name. For each component, the table provides a description and lists the adjustment number.

Refer to Table 2-3 for a complete list of factory-selected components used in the instrument along with their functions. Factory-selected components are identified with an asterisk on the schematic diagrams.

## **Adjustment Tools**

For adjustments requiring a nonmetallic tuning tool, use fiber tuning tool, HP part number 8170-0033. For adjustments to the IF Bandpass, use tuning tool, HP part number 8710-1010. Never try to force an adjustment control. This is especially critical when tuning variable capacitors or slug-tuned inductors.

Required service accessories, with part numbers, are listed in “Service Kit” in Chapter 1.

## **Instrument Service Position**

Refer to Chapter 3 for information on removing the analyzer cover assembly and accessing all internal assemblies.

**Table 2-1. Related Adjustments (1 of 2)**

Assembly Changed or Repaired	Perform the Following Related Adjustments in the Order Listed	Adjustment Number
A1A1 Keyboard	No related adjustment	
A1A2 RPG	No related adjustment	
A2 Controller	Display Adjustment If the old EEROM cannot be used in a new A2 or if an EEROM must be replaced, the following adjustments must be performed: External Mixer Amplitude Adjustment Frequency Response Adjustment	2  15 10
A3 Interface	Display Adjustment (Fast Zero Span) Frequency Response Adjustment	2 10
A4 Log Amp/Cal Osc	Display Adjustment (Fast Zero Span) Demodulator Adjustment IF Amplitude Adjustment DC Log Amplifier Adjustment	2 13 4 5
A5 IF	IF Bandpass Adjustment IF Amplitude Adjustment	3 4
A6 Power Supply	High Voltage Power Supply Adjustment Display Adjustment	1 2
A6A1 HV Module	High Voltage Power Supply Adjustment Display Adjustment	1 2
A7 1ST LO Distribution Amplifier	First LO Distribution Amplifier Adjustment Frequency Response Adjustment ( <i>or perform the Frequency Response performance test in the HP 8560A Installation and Verification Manual. The adjustment must be performed if the performance test fails.</i> )	8 10
A8 Low Band Mixer	Frequency Response Adjustment	10
A9 Input Attenuator	Frequency Response Adjustment ( <i>or perform the Frequency Response performance test in the HP 8560A Installation and Verification Manual. The adjustment must be performed if the performance test fails.</i> )	10
A10 Tracking Generator	Tracking Generator Power Level Adjustment Frequency Response Adjustment	9 10
All YTO	YTO Adjustment Frequency Response Adjustment ( <i>or perform the Frequency Response performance test in the HP 8560A Installation and Verification Manual. The adjustment must be performed if the performance test fails.</i> )	7 10

**Table 2-1. Related Adjustments (2 of 2)**

Assembly Changed or Repaired	Perform the Following Related Adjustments in the Order Listed	Adjustment Number
A13 2nd Converter	Frequency Response Adjustment	10
A14 Frequency Control	Display Adjustment (Fast Zero Span)	2
	YTO Adjustment	7
	First LO Distribution Amplifier Adjustment	8
	Frequency Response Adjustment	10
A15 RF	10 MHz Reference Adjustment (TCXO)	12
	Calibrator Amplitude Adjustment	11
	External Mixer Bias Adjustment	14
	Sampling Oscillator Adjustment	6
	Signal ID Oscillator Adjustment	17
	External Mixer Amplitude Adjustment	15
	Frequency Response Adjustment	10
	600 MHz Amplitude Adjustment	18
A15A1 2nd IF Amplifier	Second IF Gain Adjustment	16
A15A2 Sampler	Sampling Oscillator Adjustment	6
A17 CRT Driver	Display Adjustment	2
A18V1 CRT	Display Adjustment	2
A19 HP-IB	No related adjustment	
A21 OCXO	10 MHz Reference Adjustment (OCXO)	19

**Table 2-2. Adjustable Components (1 of 3)**

Reference Designator	Adjustment Name	Adjustment Number	Description
A2R206	DGTL X GAIN	2	Adjusts the horizontal gain in the X line generator.
A2R209	SWEEP OFFSET	2	Adjusts the beginning of the trace to the leftmost vertical graticule line in fast-analog, zero-span mode.
A2R215	DGTL Y GAIN	2	Adjusts the vertical gain in the Y line generator.
A2R218	VIDEO OFFSET	2	Adjusts the vertical position in fast-analog, zero-span to match the digital zero-span input.
A2R262	STOP BLANK	2	Adjusts the blanking at the end of a vector on the display.
A2R263	START BLANK	2	Adjusts the blanking at the start of a vector on the display.
A2R268	VIDEO GAIN	2	Adjusts the vertical gain in fast-analog, zero-span to match with the digital zero-span input.
A2R271	SWEEP GAIN	2	Adjusts the end of the trace to the rightmost vertical-graticule line in fast-analog, zero-span mode.
A4C707	FM DEMOD	13	Adjusts the FM demodulation for a peak response.
A4R445	LIMITER PHASE	5	Adjusts Limiter Phase for peak response
A4R531	LOG AMP TOS	5	Minimizes Log error near Top of Screen
A4R544	LIN FIDELITY BOW	5	Minimizes Linearity Fidelity error.
A4R826	CAL OSC AMPTD	4	Sets calibration oscillator output power (nominally -35 dBm). This power is injected into the IF during the AUTO IF ADJUST routines.
A5L300	LC CTR 1	3	Adjusts center frequency of first stage of LC bandwidth filter to 10.7 MHz.
A5L301	LC CTR 2	3	Adjusts center frequency of second stage of LC bandwidth filter to 10.7 MHz.
A5L700	LC CTR 3	3	Adjusts center frequency of third stage of LC bandwidth filter to 10.7 MHz.
A5L702	LC CTR 4	3	Adjusts center frequency of fourth stage of LC bandwidth filter to 10.7 MHz.
A5R343	15 DB ATT	4	Adjusts the attenuation of the Reference 15 dB attenuator for 15 db between minimum and maximum attenuation.
A5T200	XTAL CTR 1	3	Adjusts center frequency of first stage of crystal bandwidth filter to 10.7 MHz.
A5T202	XTAL CTR 2	3	Adjusts center frequency of second stage of crystal bandwidth filter to 10.7 MHz.



**Table 2-2. Adjustable Components (2 of 3)**

Reference Designator	Adjustment Name	Adjustment Number	Description
A5T500	XTAL CTR 3	3	Adjusts center frequency of third stage of crystal bandwidth filter to 10.7 MHz.
A5T502	XTAL CTR 4	3	Adjusts center frequency of fourth stage of crystal bandwidth filter to 10.7 MHz.
A6R410	HV ADJ	1	Adjusts the voltage between A6TP405 and A6TP401 to the voltage marked on the A6A1 High Voltage Module.
A10R13	-10 dB ADJ	9	Offsets power level range of A10 Tracking Generator.
A10R18	3 dB ADJ	9	Adjusts gain of power level range of A10 Tracking Generator.
A10C3	TRK OSC CTR	20	Centers range of A10 Tracking Generator's tracking oscillator.
A14R42	5.01 GHz	7	Adjusts the main coil tune driver current at a YTO frequency of 6.01 GHz (near the upper YTO frequency limit).
A14R76	FM SPAN	7	Adjusts the FM span accuracy by affecting the sensitivity of the FM coil driver.
A14R93	3.2 GHz	7	Adjusts the main coil fixed driver current at a YTO frequency of 3.2 GHz (near the lower YTO frequency limit).
A14R621	LO AMPTD	8	Adjusts the amplitude of the first LO by changing the reference voltage for the leveling loop.
A14R628	GATE BIAS	8	Adjusts the gate bias for the A7 LO Distribution Amplifier.
A15C100	SMPL MATCH 1	6	Transforms the sampler input impedance to 50 ohms over the 280 to 298 MHz range.
A15C210	VCO RANGE	6	Adjusts the VCO tank capacitance so that 21 V on the VCO tune line equals 298 MHz VCO frequency.
A15C629	298 MHz ADJ	17	Fine adjusts the 298 MHz SIG ID Oscillator frequency to optimize its performance.
A15R237	SMPL PWR ADJ	6	Adjusts the signal power level to the Sampler.
A15U302	10 MHz ADJ	12	Adjusts frequency of the temperature compensated crystal oscillator (TCXO) to 10 MHz.
A15R453	PHASE DET BIAS	6	Adjusts bias at pin 3 of phase detector A15U408 to 1.80 V.
A15R726	300 MHz 4AMPLITUDE	18	Adjusts input power to ECL divide-by-two chip.

**Table 2-2. Adjustable Components (3 of 3)**

Reference Designator	Adjustment Name	Adjustment Number	Description
A15R561	CAL AMPTD	11	Adjusts amplitude of the 300 MHz calibrator signal to -10.0 dBm.
A15R926	EXT BIAS ZERO	14	Adjusts zero bias point of external mixer bias.
A17R4	Z GAIN	2	Adjusts maximum intensity.
A17R11	CUTOFF	2	Adjusts intensity to turn off blanked lines.
A17R21	Z FOCUS	2	Adjusts focus for lines of different brightness.
A17R26	X FOCUS	2	Adjusts focus at the left and right corners of the display
A17R34	COARSE FOCUS	2	Adjusts focus at the center of the display.
A17R55	X GAIN	2	Adjusts the horizontal-deflection amplifier gain.
A17R57	X POSN	2	Adjusts the CRT horizontal position.
A17R75	Y GAIN	2	Adjusts the vertical-deflection amplifier gain.
A17R77	Y POSN	2	Adjusts the CRT vertical position.
A17R90	TRACE ALIGN	2	Adjusts the display axis rotation.
A17R92	DDD	2	Adjusts focus of the center of the display.
A17R93	ASTIG	2	Adjusts for the spot roundness on the CRT display.

**Table 2-3. Factory Selected Components**

Reference Designator	Adjustment Number	Basis of Selection
A5C204	3	Selected to optimize center frequency of LC tank that loads the crystal.
A5C216	3	Selected to optimize center frequency of LC tank that loads the crystal.
A5C326	3	Selected to optimize LC pole center frequency.
A5C327	3	Selected to, optimize LC pole center frequency.
A5C505	3	Selected to optimize center frequency of LC tank that loads the crystal.
A5C516	3	Selected to optimize center frequency of LC tank that loads the crystal.
A5C717	3	Selected to optimize LC pole center frequency.
A5C718	3	Selected to optimize LC pole center frequency.
A15U802	16	Selected to set the gain of the second IF to 12 dB.

---

## Using the TAM

The HP 85629B TAM can be used to perform approximately half of the HP 8560A adjustment procedures. Table 2-4 lists the TAM adjustments and their corresponding manual adjustments.

The TAM adjustments do not include procedures for choosing factory-selected components. If an adjustment cannot be made and a factory-selected component must be changed, refer to the corresponding manual adjustment.

To select an adjustment, press **MODULE** to display the TAM Main Menu, then press **ADJUST**. Position the pointer next to the desired adjustment using either the knob or step keys. Press **EXECUTE**, then follow the on-screen instructions displayed.

## Test Equipment

During the TAM adjustments, instructions for setting test equipment controls are displayed, with the exclusion of the test listed below. Test equipment for this adjustment is controlled automatically.

### Test 8. Low Band Flatness

Table 2-5 lists the test equipment needed to perform each TAM adjustment. Required models must be used. Substitutions may be made for recommended models. Substitute sources must operate over the frequency ranges indicated. Recommended substitutes are listed in the Configuration Menu. If you must substitute the source with a user-defined model, the adjustments run faster using a synthesized source rather than an unsynthesized source.

---

<b>Note</b>	When connecting signals from the HP 8340A/B (or any microwave source) to the adjustment setup, use a high-frequency test cable with minimum attenuation to 22 GHz. HP part number 8120-4921 is recommended for its ruggedness, repeatability, and low insertion loss.
-------------	---

---

## Adjustment Indicator

To aid in making adjustments, the TAM displays an “Analog Voltmeter Display Box” along the left-hand side of the display. A horizontal line moves inside the box to represent the needle of an analog voltmeter. A digital readout appears below the box. Tick marks are often displayed on the inside edges of the box indicating the desired needle position. (The tick marks and needle are intensified when the needle is within this acceptable region.) During some adjustments, an arrow appears along the right edge of the box. This arrow always indicates the highest position the needle has reached. The arrow is useful when a component must be adjusted for a peak response; if the peak is overshoot, the arrow indicates where the peak was. The component can be readjusted until the needle is at the same position as the arrow.

**Table 2-4. TAM Adjustments**

TAM Adjustment	Corresponding Manual Adjustment	Adjustment Number
1. IF Bandpass, LC Poles	IF Bandpass Adjustment	3
2. IF Bandpass, Crystal Poles	IF Bandpass Adjustment	3
3. IF Amplitude	IF Amplitude Adjustment	4
4. Limiter Phase	DC Log Amplifier Adjustments, A4 Limiter Phase	5
5. Linear Fidelity	DC Log Amplifier Adjustments, A4 Linear Fidelity	5
6. Log Fidelity	DC Log Amplifier Adjustments, A4 Log Fidelity	5
7. Sampling Oscillator	Sampling Oscillator Adjustment	6
8. YTO	YTO Adjustment	7
9. LO Distribution Amp	First LO Distribution Amplifier Adjustment	8
10. Low Band Flatness	Frequency Response Adjustment	10
11. Calibrator Amplitude	Calibrator Amplitude Adjustment	11
12. 10 MHz Reference Oscillator	10 MHz Reference Adjustment – TCXO (Option 003)	19
13. External Mixer Bias *	External Mixer Bias Adjustment	14
14. External Mixer Amplitude *	External Mixer Amplitude Adjustment	15

\* Adjustment excluded if the HP 8560A is an Option 002.

**Table 2-5. Required Test Equipment for TAM**

Adjustment	Equipment Used	Required Model	Recommended Model
1. IF Bandpass, LC Poles	None		
2. IF Bandpass, Crystal Poles	None		
3. IF Amplitude	Synthesizer/Level Generator Test Cable (SMB to BNC) Manual Probe Cable	HP 3335A	85680-60093
4. Limiter Phase	Synthesizer/Level Generator Test Cable BNC	HP 3335A	HP 10503A
5. Linear Fidelity	Synthesizer/Level Generator Test Cable BNC	HP 3335A	HP 10503A

**Table 2-5. Required Test Equipment for TAM (continued)**

<b>Adjustment</b>	<b>Equipment Used</b>	<b>Required Model</b>	<b>Recommended Model</b>
6. Log Fidelity	Synthesizer/Level Generator Test Cable BNC	HP 3335A	HP 10503A
7. Sampling Oscillator	Manual Probe Cable		
8. YTO	Frequency Counter (3 to 6.8 GHz)		HP 5342A, HP 5343A
9. LO Distribution Amplifier	Power Meter  Power Sensor (3 to 6.8 GHz, 10 to 20 dBm)		HP 8902A, HP 436A, HP 438A HP 8485A
10. Low Band Flatness	Source (10 MHz to 2.9 GHz) Power Meter  Power Sensor (10 MHz to 2.9 GHz) Power Splitter (10 MHz to 2.9 GHz)		HP 8340A/B HP 8902A, HP 436A, HP438A HP 8482A, HP 8481A  HP 11667B
11. Calibrator Amplitude	Power Meter  Power Sensor	HP 8482A, HP 8481A	HP 8902A, HP 436A, HP 438A
12. 10 MHz Reference Oscillator	Frequency Counter (9 to 11 MHz)		HP 5342A, HP 5343A
13. External Mixer Bias	Manual Probe Cable		
14. External Mixer Amplitude	Power Meter  Power Sensor (310.7 MHz, -25 to -35 dBm) Source (310.7 MHz, -30 dBm)		HP 8902A, HP 436A, HP 438A HP 8484A  HP 8340A/B

---

# 1. High-Voltage Power Supply Adjustment

## Assembly Adjusted

A6 Power Supply

## Related Performance Test

There is no related performance test for this adjustment.

## Description

The high-voltage power supply is adjusted to the voltage marked on the A6A1 HV Module. The A6A1 HV Module is characterized in the factory to ensure that the display filament voltage is set to 6.0 V rms when the +110 Vdc (nominal) supply is set to the voltage marked on the HV Module.

---

**Warning** To minimize shock hazard, use a nonmetallic adjustment tool when adjusting the A6 Power Supply.

---

---

**Warning** The following procedure probes voltages that, if contacted, could cause personal injury or death.

---

---

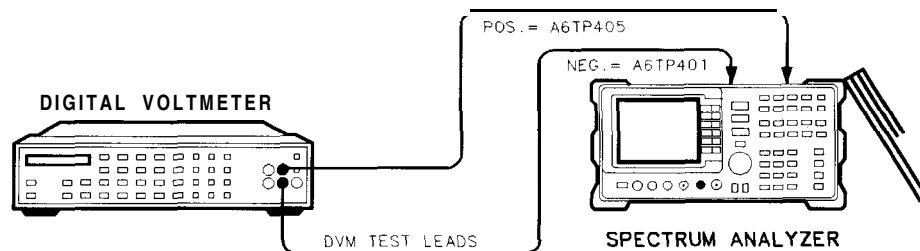
**Note** Adjustment of the high-voltage power supply should not be a routine maintenance procedure. Any adjustments should be done only if the A6 Power Supply, A6A1 HV Module, or A18 CRT (display) is repaired or replaced.

---

---

**Note** You must perform the display adjustments after this adjustment if either the display or HV Module has been replaced.

---



SK11

Figure 2-1. High-Voltage Power Supply Adjustment Setup

## 1. High-Voltage Power Supply Adjustment

### Equipment

Digital Multimeter ..... HP 3456A  
DVM Test Leads ..... HP 34118A

### Procedure

---

**Warning**      **After disconnecting the ac power cord, allow capacitors in the high-voltage supply to discharge for at least 30 seconds before removing the protective cover from the A6 Power Supply.**

---

1. Set the HP 8560A (LINE) switch off, disconnect the power cord, and remove the analyzer cover. Fold down the A2 Controller, A3 Interface, A4 Log Amplifier, and A5 IF assemblies. Remove the A6 Power Supply cover.
2. Position the HP 8560A as shown in Figure 2-1. Connect the positive DVM lead to A6TP405 and the negative DVM lead to A6TP401.
3. Set the HP 3456A controls as follows:

    FUNCTION .....DCVOLTS  
    RANGE .....1000 VOLTS

4. Reconnect the power cord to the HP 8560A and set the **LINE** switch on.
5. Record the voltage marked on the A6A1 HV Module.

Voltage marked on A6A1 HV Module = \_\_\_\_\_ Vdc

6. Adjust A6R410 HV ADJ for a voltage equal to the voltage recorded in step 5.
7. Set the HP 8560A (LINE) switch off and disconnect the power cord. Wait at least 30 seconds for the high-voltage power supply capacitors to discharge.
8. Disconnect the DVM test leads from A6TP401 and A6TP405. Reinstall the power supply cover.

---

## 2. Display Adjustment

### Assembly Adjusted

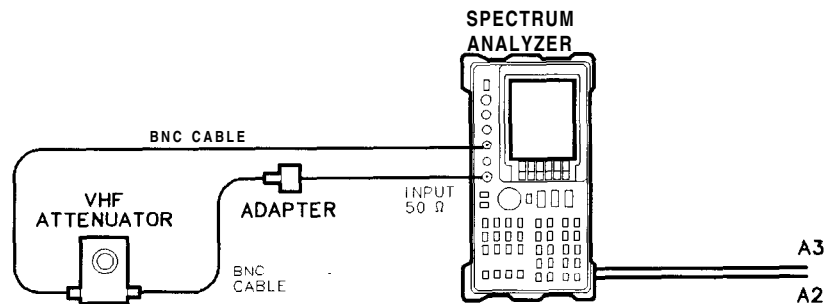
A2 Controller  
A17 CRT Driver

### Related Performance Test

Sweep Time Accuracy (Sweep Times <30 ms)

### Description

Coarse adjustment of the deflection amplifiers, Z-axis amplifiers, and line generators is done using the CRT adjust pattern. Fine adjustments use the graticule. The fast zero-span amplitude adjustments correct for differences between **analog** and digital display modes. The displayed sweep time accuracy is adjusted in the fast zero-span sweep adjustments.



SK12

Figure 2-2. Display Adjustment Setup

### Equipment

10 dB VHF Step Attenuator ..... HP 355D  
Photometer/Radiometer ..... TEK J16-TV

### Adapters

Type N (m) to BNC (f) ..... 1250-1476

### Cables

BNC, 122 cm (2 required) ..... HP 10503A



### Procedure

1. Set the analyzer's **LINE** switch off. Remove the analyzer's cover and fold out the A2 Controller and A3 Interface assemblies as illustrated in Figure 2-2. Connect the CAL OUTPUT to the INPUT. Adjustment locations are shown on the CRT neck for A17 adjustments and in Figure 2-4 for the A2 adjustments.

### Preliminary Adjustments

2. Set A17R55 X GAIN, A17R75 Y GAIN, A17R92 DDD, A17R93 ASTIG, A2R206 DGTL X GAIN, A2R215 DGTL Y GAIN, A2R262 STOP BLANK, and A2R263 START BLANK to midrange. Also set the rear-panel X POSN, Y POSN, and TRACE ALIGN to midrange.
3. Set A17R21 Z FOCUS, A17R26 X FOCUS, and A17R11 CUTOFF fully counterclockwise.
4. Set A17R4 Z GAIN fully clockwise.
5. Turn the analyzer on and allow it to warm up for at least 3 minutes. Adjust A17R11 CUTOFF until the display is visible and A17R34 COARSE FOCUS for best possible focus.

### Cutoff Adjustment

6. Press **PRESET**, **DISPLAY**, **INTENSITY**, 255 **ENTER**, STORE INTENSITY, MORE 1 of 2, FOCUS, 127 **ENTER**, STORE FOCUS, then GRAT OFF. Adjust A17R11 CUTOFF until the line between the bottom of trace A and the annunciators at the bottom of the display just disappears.

### Deflection Adjustments

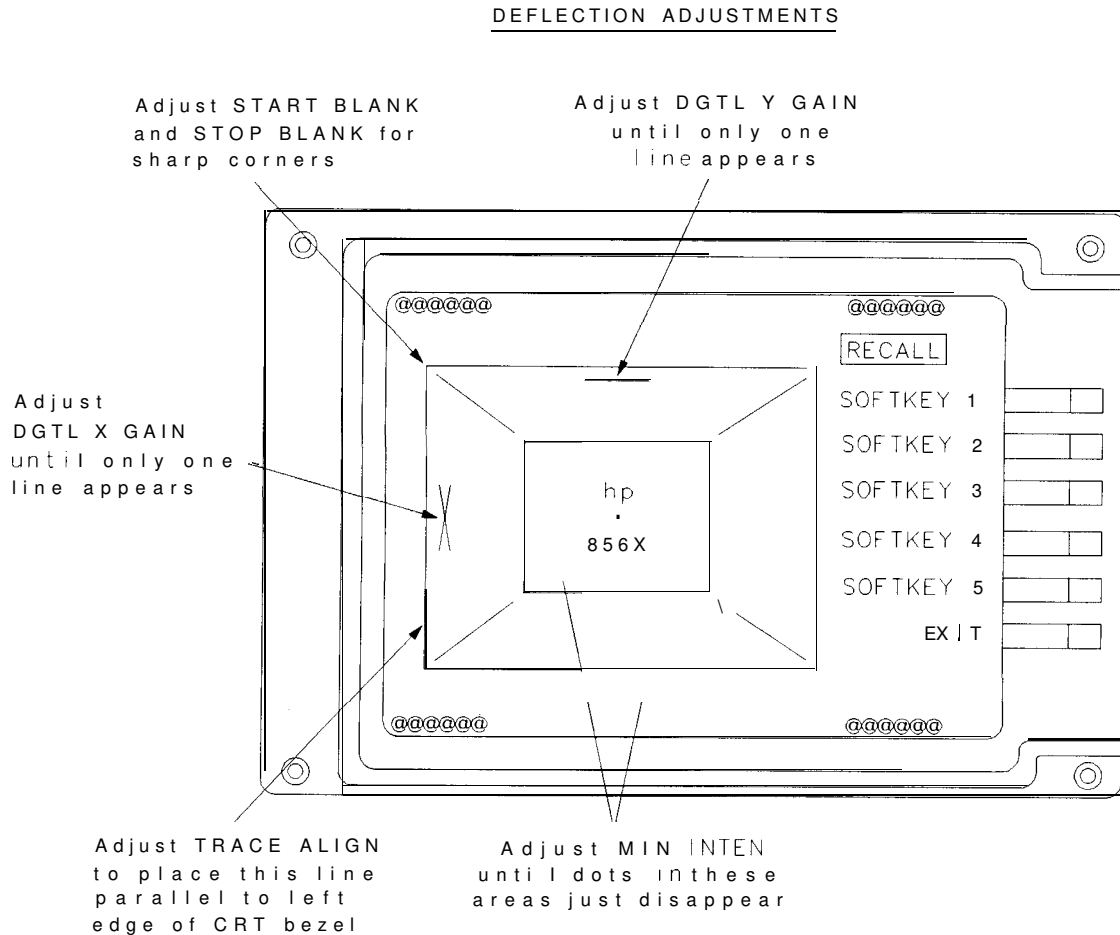
7. Press CRAT ON, MORE 2 of 2, **INTENSITY**, 80 **ENTER**, STORE INTENSITY, **CAL**, MORE 1 of 2, and CRT ADJ PATTERN. Fold up the A3 Interface assembly.
8. Refer to Figure 2-3 for locating the lines used for adjusting DGTL X GAIN and DGTL Y GAIN. Each of these lines is actually two lines adjusted for coincidence. The two lines will form an "X" if they are not adjusted properly.
9. Adjust A2R206 DGTL X GAIN until the two vertical lines near the left edge of the display appear to be one single line.
10. Adjust A2R215 DGTL Y GAIN until the two horizontal lines near the top edge of the display appear to be one single line.
11. Adjust A2R262 STOP BLANK and A2R263 START BLANK for the sharpest corners of the outer box in the test pattern. The intensity of the corners should be the same as the middle of the lines between the corners.
12. Adjust the rear-panel TRACE ALIGN until the leftmost line of the test pattern is parallel with the CRT bezel. See Figure 2-3.
13. Adjust the rear-panel X POSN and A17R55 X GAIN until the leftmost "@" characters and the softkey labels appear just inside the left and right edges of the CRT bezel.

## 2. Display Adjustment

14. Adjust the rear-panel Y POSN and A17R75 Y GAIN until the softkey labels align with their appropriate softkeys.
15. Press **PRESET**. If necessary, readjust STOP BLANK and START BLANK for the best-looking intersection of the graticule lines. This will be most noticeable along the center vertical and horizontal graticule lines.

### Intensity Adjustments

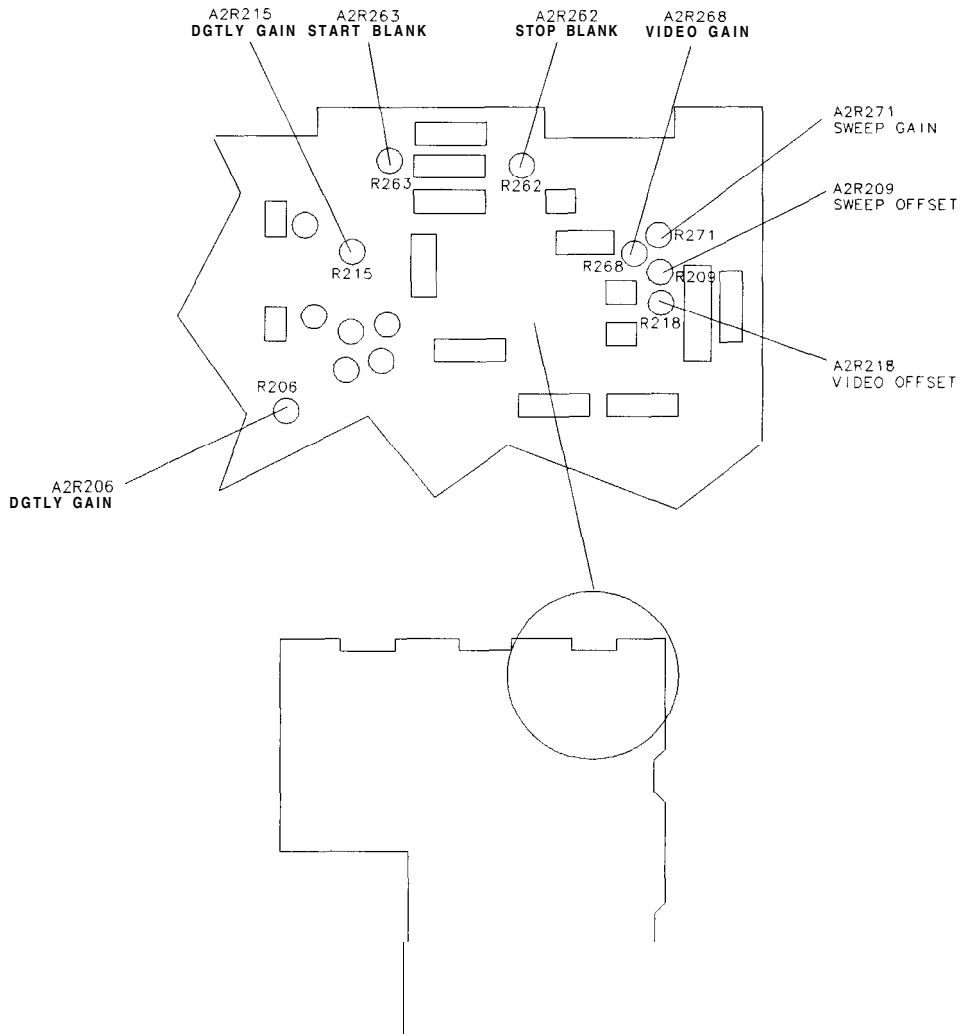
16. Press **AMPLITUDE** then set the REF LVL to -70 dB and the LOG dB/DIV to 1. This should almost completely fill the screen with the noise floor. Press **SGL SWP**. Adjust A17R4 Z GAIN until the intensity at the center of the screen is 15 NITS, as indicated by the TEK J16-TV Photometer/Radiometer.
17. Press (CAL), MORE 1 of 2, and CRT ADJ PATTERN. Locate the dot just below the HP logo. Adjust A17R93 ASTIG for the smallest round dot possible.



SK13

Figure 2-3. CRT Adjust Pattern

## 2. Display Adjustment



SK14

**Figure 2-4. A2 Display Adjustment Locations**

18. Adjust A17R34 COURSE FOCUS and A17R92 DDD for the best focus of the characters at the center of the screen.
19. Adjust A17R21 Z FOCUS for the best focus of the test pattern's outside box.
20. Adjust A17R26 X FOCUS for best focus of the "@" characters at the corners of the test pattern.
21. Repeat steps 17 through 20 to obtain the best overall focus quality.

**Fast Zero Span Adjustments**

- 22. Set A2R209 SWEEP OFFSET, A2R218 VIDEO OFFSET, A2R268 VIDEO GAIN and A2R271 SWEEP GAIN to midrange. Adjustment locations are shown in Figure 2-4 for these A2 adjustments.
- 23. Set the HP 355D Attenuator to provide 30 dB attenuation.
- 24. Press **PRESET** on the analyzer, and connect the equipment as shown in Figure 2-2. Set the HP 8560A controls as follows:

```

CENTERFREQ .....300 MHz
SPAN ..... 0 Hz
REF LVL .....-40 dBm
RES BW .....1 kHz
VIDEO BW ..... 300 Hz
Sweep time ..... 50 ms
    
```

- 25. Press **MKR**, **MKR->**, **MARKER-> REF LVL** . If the marker is not at the top graticule, press **MARKER-B REF LVL** again.
- 26. Press **(SAVE)**, **SAVE STATE**, and **STATE 0**.
- 27. Set sweep time to 10 ms.
- 28. Press **(SAVE)**, **SAVE STATE**, and **STATE 1** .
- 29. Adjust A2R209 SWEEP OFFSET to place the beginning of the trace at the leftmost vertical graticule line.
- 30. Adjust A2R271 SWEEP GAIN to place the end of the trace at the tenth vertical graticule line (one division from the right edge of the graticule).
- 31. Press **AMPLITUDE** and press the (up) key seven times.
- 32. Press **SAVE**, **SAVE STATE** , and **STATE 2**.
- 33. Set the sweep time to 50 ms. Press **SAVE**, **SAVE STATE**, and **STATE 3** .
- 34. Press **RECALL**, **RECALL STATE**, and **STATE 1** .
- 35. Switch between STATE1 and STATE2. Adjusting A2R268 and A2R218 so that in STATE1 the trace is lined up with the top graticule and in STATE2 the trace is lined up with the eighth graticule (from the top line). Repeat until they align to within  $\pm 0.2$  divisions.
- 36. Adjust A2R209 and A2R271 until the start of sweep is aligned to the leftmost vertical graticule line and the stop sweep is aligned with the right most vertical graticule line.
- 37. Press STATE2 and STATE3. The two traces should be aligned within +/-1 divisions.
- 38. Press STATE0 and STATE1 . The two traces should be aligned within +/-1 divisions.

---

### 3. IF Bandpass Adjustment

#### Assembly Adjusted

A5 IF Assembly

#### Related Performance Test

Resolution Bandwidth Accuracy and Selectivity

#### Description

The center frequency of each IF bandpass filter pole is adjusted by DAC-controlled varactor diodes and an inductor (for the LC poles) or a transformer (for the crystal poles). The inductors and transformers are for coarse tuning and the varactors are for fine tuning by the microprocessor. The inductors and transformers are adjusted such that the varactor diodes are biased near the middle of their capacitance range. The varactor diode bias is measured with the DVM.

---

#### Note

This procedure is not a routine adjustment. It should be performed only if repairs to the A5 IF assembly are made. If the entire A5 IF assembly is replaced, the assembly arrives pre-adjusted from the factory and requires no further adjustment.

---

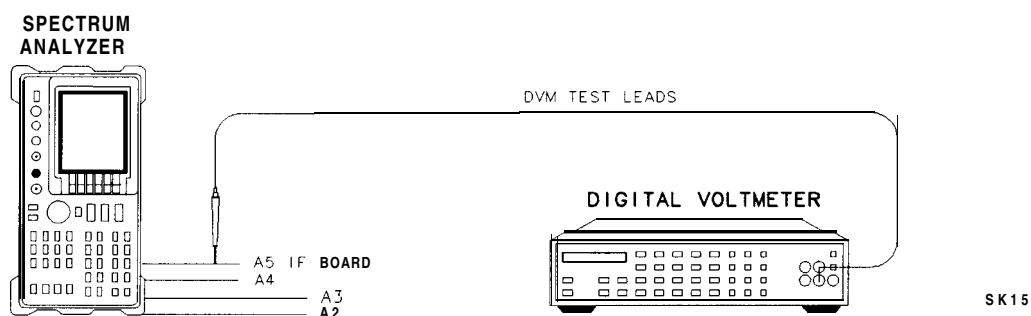


Figure 2-5. IF Bandpass Adjustment Setup

#### Equipment

Digital Voltmeter .....	HP 3456A
DVM Test Leads .....	HP 34118A
Special Tuning Tool .....	8710-1010

#### Procedure

1. Set the HP 8560A **LINE** switch off and disconnect the power cord. Remove the analyzer cover and fold down the A2 Controller, A3 Interface, A4 Log Amp, and A5 IF assemblies. Reconnect the power cord and set the (LINE) switch on. Allow the analyzer to warm up for at least 30 minutes.
2. Connect the negative DVM lead to pin 6 of A5J6. See Figure 2-5. Set the HP 3456A controls as follows:  
FUNCTION ..... DC VOLTS  
RANGE .....IOV
3. On the HP 8560A press (PRESET) (SPAN) 2 (**MHz**) (**CAL**) and IF ADJ OFF.

#### LC Bandpass Adjustments

4. On the HP 8560A, press ADJ **CURR** IF STATE. Wait for the IF ADJUST STATUS message to disappear before continuing with the next step.
5. Read the voltage on A5TP5 (this is an empty-hole type of test point). If the voltage is less than +6.06 Vdc, turn A5L300 LC CTR 1 clockwise. If the voltage is greater than +6.26 Vdc, turn LC CTR 1 counterclockwise.
6. Repeat steps 4 and 5 until the voltage reads +6.16 Vdc  $\pm$ 100 mV.

---

#### Note

If the range for the LC CTR adjustment is insufficient, replace the appropriate factory-selected capacitor as listed in Table 2-6. To determine the correct replacement value, center the LC CTR adjustment and press ADJ CURR IF STATE. After the IF ADJUST STATUS message disappears, read the DVM display. Choose a capacitor value from Table 2-7, based on the DVM reading and the presently loaded capacitor value. Table 2-10 lists a few capacitor part numbers.

---

---

#### Caution

Set the HP 8560A **LINE** switch off before removing or replacing any shield.

---

7. Move the positive DVM lead to A5TP6.
8. Adjust A5L301 LC CTR 2 by repeating steps 4 through 6.
9. Move the positive DVM test lead to A5TP1 (this is a resistor-lead type of test point).
10. Adjust A5L700 LC CTR 3 by repeating steps 4 through 6.
11. Move the positive DVM test lead to A5TP2 (this is a resistor-lead type of test point).
12. Adjust A5L702 LC CTR 4 using the procedure in steps 4 through 6.

### 3. IF Bandpass Adjustment

**Table 2-6. Factory-Selected LC Filter Capacitors**

CC CTR Adjustment	Fixed Factory Select Capacitor
A5L300 LC CTR 1	A5C326
A5L301 LC CTR 2	A5C327
A5L700 LC CTR 3	A5C717
A5L702 LC CTR 4	A5C718

**Table 2-7. LC Factory-Selected Capacitor Selection**

DVM Reading (V)	Currently Loaded Capacitor Value (pF)					
	Replace 6.8 with:	Replace 8.2 with:	Replace 10 with:	Replace 12 with:	Replace 15 with:	Replace 18 with:
0 to 1.5	*	*	*	*	*	*
1.5 to 2.5	18	18	*	*	*	*
2.5 to 3.5	15	15	18	18	*	*
3.5 to 4.5	10	12	15	15	18	*
4.5 to 5.5	8.2	10	12	15	18	*
5.5 to 6.5	no change	no change	no change	no change	no change	no change
6.5 to 7.5	no change	no change	no change	no change	no change	no change
7.5 to 8.5	*	6.8	8.2	10	12	15
8.5 to 9.5	*	*	6.8	8.2	12	15
9.5 to 10	*	*	6.8	8.2	10	12

\* Indicates a condition that should not exist; suspect broken hardware.

### XTAL Bandpass Adjustments

13. On the HP 8560A, press **SPAN** 1 **MHz** and **CAL**.
14. Move the positive DVM test lead to A5TP7.
15. On the HP 8560A, press ADJ CURR IF STATE. Wait for the IF ADJUST STATUS message to disappear before continuing to the next step.
16. Read the voltage displayed on the DVM. If the voltage is less than +6.06 Vdc, turn A5T200 XTAL CTR 1 clockwise. If the voltage is greater than +6.26 Vdc, turn XTAL CTR 1 counterclockwise.
17. Repeat steps 15 and 16 until the voltage reads +6.16 Vdc  $\pm$ 100 mV.



### 3. IF Bandpass Adjustment

**Note** If the range for the XTAL CTR adjustment is insufficient, replace the appropriate factory-selected capacitor as listed in Table 2-8. To determine the correct replacement value, center the XTAL CTR adjustment, and press ADJ CURR IF STATE. After the IF ADJUST STATUS message disappears, read the DVM display. Choose a capacitor value from Table 2-9, based on the DVM reading and the presently loaded capacitor value. Table 2-10 lists a few capacitor part numbers.

**Caution** Set the HP 8560A **LINE** switch off before removing or replacing any shield.

18. Move the positive DVM test lead to A5TP8.
19. Adjust A5T202 XTAL CTR 2 using the procedure in steps 15 through 17.
20. Move the positive DVM test lead to A5TP3.
21. Adjust A5T500 XTAL CTR 3 using the procedure in steps 15 through 17.
22. Move the positive DVM test lead to A5TP4.
23. Adjust A5T502 XTAL CTR 4 using the procedure in steps 15 through 17.

**Table 2-8. Factory-Selected XTAL Filter Capacitors**

XTAL CTR Adjustment	Fixed Factory Select Capacitor
A5T200 XTAL CTR 1	A5C204
A5T202 XTAL CTR 2	A5C216
A5T500 XTAL CTR 3	A5C505
A5T502 XTAL CTR 4	A5C516

**Table 2-9. XTAL Factory-Selected Capacitor Selection**

DVM Reading (V)	Currently Loaded Capacitor Value (pF)					
	Replace 15 with:	Replace 18 with:	Replace 20 with:	Replace 22 with:	Replace 24 with:	Replace 27 with:
0 to 1.5	*	*	*	*	*	*
1.5 to 2.5	27	*	*	*	*	*
2.5 to 3.5	22	27	27	*	*	*
3.5 to 4.5	18	22	24	27	27	*
4.5 to 5.5	18	20	22	24	27	*
5.5 to 6.5	no change	no change	no change	no change	no change	no change
6.5 to 7.5	no change	no change	no change	no change	no change	no change
7.5 to 8.5	*	15	18	18	22	24
8.5 to 9.5	*	15	15	18	20	24
9.5 to 10	*	*	15	18	20	24

\* Indicates a condition that should not exist; suspect broken hardware.

### 3. IF Bandpass Adjustment

**Table 2-10. Capacitor Part Numbers**

Capacitor Value (pF)	HP Part Number
6.8	0160-4793
8.2	0160-4792
10	0160-4791
12	0160-4790
15	0160-4789
18	0160-4788
20	0160-5699
22	0160-4787
24	0160-5903
27	0160-4786

## 4. IF Amplitude Adjustments

The IF Amplitude Adjustments consist of the Cal Oscillator Amplitude adjustment and the Reference 15 dB Attenuator adjustment.

### Assembly Adjusted

A4 Log Amp/Cal Oscillator  
A5 IF Assembly

### Related Performance Tests

IF Gain Uncertainty Test  
Scale Fidelity Test

### Equipment

Frequency Synthesizer ..... HP 3335A

#### Adapters

Type N (m) to BNC (f) ..... 1250-1476

#### Cables

BNC, 122 cm (48in) ..... HP 10503A

Test Cable .....85680-60093

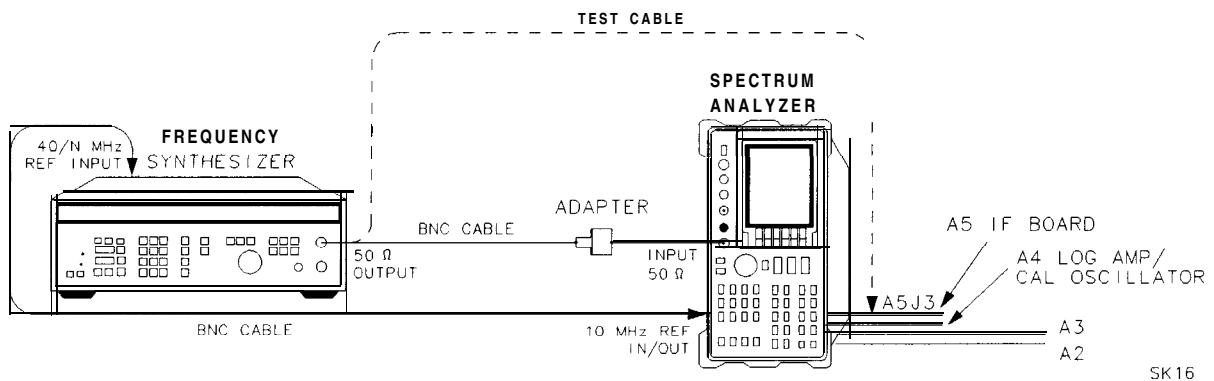
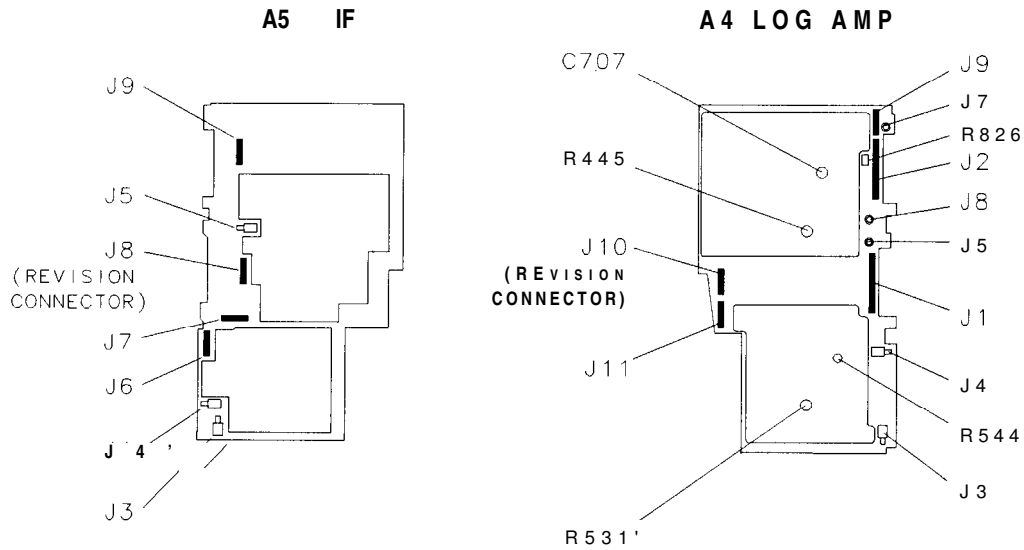


Figure 2-6. IF Amplitude Adjustment Setup

## 4. IF Amplitude Adjustments



SK190

Figure 2-7. IF Amplitude Adjustment Locations

### A4 Log Amp/Cal Oscillator Amplitude Adjustment

This adjustment sets the output amplitude of the A4 Log Amp/Cal Oscillator and the absolute amplitude of the reference 15 dB attenuator.

The output of the A4 Log Amp/Cal Oscillator is adjusted so that a -55 dBm signal applied to the 10.7 MHz IF input on the A5 IF assembly (A5J3) causes a displayed signal of -60 dBm. The effect of this adjustment is visible only after the ADJ CURR IF STATE sequence is complete. ADJ CURR IF STATE causes the IF gain adjustment to use the “new” output amplitude from the A4 Log Amp/Cal Oscillator. When the adjustment sequence is complete, the result of the adjustment should cause the -35 dBm signal at A5J5 to be displayed at -60 dBm.

This procedure also sets the attenuator of the reference 15 dB attenuator so that a source amplitude change of 50 dB combined with a spectrum analyzer reference level change of 50 dB displays an amplitude difference of 50 dB.

---

**Note** The 15 dB Reference Attenuator adjustment is preset at the factory and need not be done if the entire A5 IF assembly is replaced.

---

**Procedure**

1. Set the HP 8560A **LINE** switch to off. Remove the analyzer cover and place the analyzer in the service position as illustrated in Figure 2-6. See Figure 2-7 for adjustment location.
2. Disconnect W29, violet coax cable, from A5J3. Connect the test cable between A5J3 and the 50 Ω output of the HP 3335A. Set the HP 8560A (LINE) switch on.
3. Set the HP 8560A controls as follows:

```

CENTERFREQ ..... 10.7 MHz
SPAN ..... 200kHz
REF LVL ..... -60 dBm
ATTEN ..... 0 dB
dB/DIV ..... 1dB/DIV
RES BW ..... 300kHz
VIDEO BW ..... 100 Hz
    
```

4. On the HP 8560A, press **MKR** **CAL** and IF ADJ OFF.

5. Set the HP 3335A controls as follows:

```

FREQUENCY ..... 10.7 MHz
AMPLITUDE ..... -55dBm
    
```

6. Note the marker value. Ideally it should read -60 dBm +/- .1 dB.
7. If the marker reads below -60.1 dBm, rotate A4R826 CAL OSC AMPTD one-third turn clockwise for every 0.1 dB below -60 dBm. See Figure 2-7 for the location of A4R826.
8. If the marker reads above -59.9 dBm, rotate A4R826 CAL OSC AMPTD one-third turn counter clockwise for every 0.1 dB above -60 dBm. A change in the displayed amplitude will not be seen at this point.

---

**Note**                    If A4R826 has inadequate range, refer to “Inadequate CAL OSC AMPTD Range” in Chapter 9.

---

9. Press **ADJ CURR IF STATE** . After allowing the analyzer time to complete the adjustments, the displayed amplitude and marker reading should change.
10. Repeat steps 7 and 8 until the marker reads -60 dBm +/- .1 dB.
11. Disconnect the test cable from A5J3 and reconnect W29 to A5J3.

## 4. IF Amplitude Adjustments

### A5 Reference Attenuator Adjustment

12. Set the HP 3335A (AMPLITUDE) to -60 dBm.
13. Connect a BNC cable between the 50  $\Omega$  output of the HP 3335A and the HP 8560A INPUT 50 $\Omega$ .
14. On the HP 8560A, press (CAL) and REF LEVEL ADJUST. Use the front-panel knob or step keys to place the peak of the displayed signal 3 dB to 5 dB below the reference level.
15. On the HP 8560A press [PEAK SEARCH] and MARKER DELTA. Set the analyzer reference level to -10 dBm.
16. Change the HP 3335A AMPLITUDE to -10 dBm.
17. On the HP 8560A press CAL.
18. Note the AMKR amplitude. Ideally, it should read 50.00 dB +/-1 dB.
19. If the AMKR amplitude is less than 49.9 dB, rotate A5R343 (15 dB ATTEN) one-half turn counterclockwise for each 0.1 dB below 50.00 dB. If the AMKR amplitude is greater than 50.1 dB, rotate A5R343 one-half turn clockwise for each 0.1 dB above 50.00 dB. Do not adjust A5R343 more than five turns before continuing with the next step.
20. On the HP 8560A press ADJ CURR IF STATE. Note the AMKR amplitude reading.
21. Set the HP 8560A reference level to -60 dBm and press MKR and MARKERS OFF .
22. Repeat steps 12 through 21 until the AMKR amplitude reading is 50.00 dB +/-1 dB.

### A5 Adjustment Verification

23. On the HP 8560A, disconnect W29 from A5J3. Connect the test cable between A5J3 and the 50  $\Omega$  output of the HP 3335A.
24. Set the HP 8560A reference level to -10 dBm.
25. Set the HP 3335A AMPLITUDE to -5 dBm.
26. On the HP 8560A press MKR and MARKER NORMAL.
27. The MARKER amplitude should read -10 dBm +/-1.3dB. If the reading is outside of this range, repeat steps 4 through 21.
28. On the HP 8560A, reconnect W29 to A5J3. Press PRESET and set the controls as follows:  

CENTERFREQ	.....	300 MHz
SPAN	.....	0 Hz
REF LVL	.....	-10 dBm
RES BW	.....	300kHz
29. Connect a BNC cable between the HP 8560A CAL OUTPUT and INPUT 50 $\Omega$ .
30. On the HP 8560A, press MKR CAL and REF LVL ADJ.
31. Use the knob or step keys to adjust the REF LEVEL CAL setting until the MKR reads -10.00 dBm +/-1 dB.
32. On the HP 8560A, press STORE REF LVL .

## 5. DC Log Amplifier Adjustments

There are three DC Log adjustments; Limiter Phase, Linear Fidelity, and Log Fidelity.

These adjustment need only be done under the following conditions:

- Limiter Phase      Only if a repair is made to blocks F, G, H, I, or J.
- Linear Fidelity     Only if a repair is made to blocks C, D, F, G, H, I, J, K, O, IF Gain Accuracy, RBW switching, or Log Fidelity.
- Log Fidelity        Only if a repair is made to blocks D, F, H, K, IF Gain Accuracy, RBW switching, or Log Fidelity.

If multiple adjustments are required they should be done in the following order:

1. Limiter Phase
2. Linear Fidelity
3. Log Fidelity

All adjustments should be made with all of the shields on and only after allowing at least a 20-minute warm up.

### Assembly Adjusted

A4 Log Amplifier

### Related Performance Tests

- IF Gain Uncertainty Test
- Scale Fidelity Test

### Equipment

Frequency Synthesizer ..... HP 3335A

#### Adapters

Type N (m) to BNC (f) ..... 1250-1476

#### Cables

BNC, 122 cm (48 in) ..... HP 10503A

Test Cable .....85680-60093

### A4 Limiter Phase Adjustment

This adjustment consists of adjusting A4R445 for maximum on screen amplitude under the following conditions.

## 5. DC Log Amplifier Adjustments

### Procedure

1. Set the HP 8560A **LINE** switch to off. Remove the analyzer cover and place the analyzer in the service position as illustrated in Figure 2-6. See Figure 2-7 for adjustment location.
2. Connect the HP 3335 50  $\Omega$  output to the HP 8560A 50  $\Omega$  input. Set the HP 8560A (LINE) switch on.

3. Set the HP 8560A controls as follows

CENTERFREQ .....15 MHz  
SPAN .....O  
REF LVL .....-10 dBm  
dB/DIV .....1dB/DIV  
RES BW ..... 300kHz  
IF Adjust ..... off

4. Set up an HP 3335A as follows:

FREQUENCY .....15 MHz  
AMPLITUDE ..... -18dBm

5. Press **CAL**, ADJ CURR IF STATE , wait for the analyzer to complete adjustments then press **MKR**.
6. Adjust A4R445 for maximum on-screen amplitude. Refer to Figure 2-7 for the location of A4R445.

### A4 Linear Fidelity Adjustment

This adjustment consists of adjusting A4R544 until the delta marker reads -40 dB under the following conditions.

### Procedure

1. Set the HP 8560A (LINE) switch to off. Remove the analyzer cover and place the analyzer in the service position as illustrated in Figure 2-6. See Figure 2-7 for adjustment location.
2. Connect the HP 3335 50  $\Omega$  output to the HP 8560A 50  $\Omega$  input. Set the HP 8560A **LINE** switch on.
3. Press **PRESET** **AMPLITUDE**, LINEAR, MORE 1 of 3, AMPD UNITS , dBm , **CAL**,  
IF ADJ OFF.

4. Set the HP 8560A controls as follows:

CENTERFREQ .....15 MHz  
SPAN .....5 MHz  
RES BW ..... 300kHz  
REF LVL .....-10 dBm

5. Set up an HP 3335A as follows:

FREQUENCY .....15 MHz  
AMPLITUDE ..... -18dBm

6. Press **PEAK SEARCH**, **MARKER DELTA** .



## 5. DC Log Amplifier Adjustments

7. Reduce the input power by 40 dB, to -58 dBm (use an attenuator or a source with a good relative amplitude accuracy).
8. If the signal is lower on the screen than expected (delta marker reads a change of greater than 40 dB, such as -41dB) then adjust A4R544 (see Figure 2-7) for an even lower level and press **CAL**, ADJ CURR IF STATE . Allow sufficient time for the analyzer to complete the adjustment.
9. If the signal is higher on the screen than expected (delta marker reads a change of less than 40 dB, such as reads -39 dB) then adjust A4R544 for an even higher level signal and press **CAL**, ADJ CURR IF STATE . Allow sufficient time for the analyzer to complete the adjustment.
10. Repeat the adjustment and adjust current state until the delta marker reads -40 dB  $\pm 2$  dB.

## 5. DC Log Amplifier Adjustments

### A4 LOG Fidelity Adjustment

This adjustment consists of adjusting A4R531 until the error is adjusted to zero.

#### Procedure

1. Set the HP 8560A (LINE) switch to off. Remove the analyzer cover and place the analyzer in the service position as illustrated in Figure 2-6. See Figure 2-7 for adjustment location.
2. Connect the HP 3335 50  $\Omega$  output to the HP 8560A 50  $\Omega$  input. Set the HP 8560A (LINE) switch on.
3. Press **PRESET**, **CAL**, IF ADJ **OFF**, ADJ CURR IF STATE
4. Set the HP 8560A controls as follows:  
CENTERFREQ .....15 MHz  
SPAN .....0  
RES BW ..... 300 kHz  
REF LVL .....-10 dBm
5. Set up an HP 3335A as follows:  
FREQUENCY .....15 MHz  
AMPLITUDE .....-10 dBm
6. Press **MKR**, MARKER DELTA and decrease the source power to -26 dBm.
7. Calculate the error. The error = Delta Marker reading + 16 ( in dB).
8. Set the source power to -10 dBm.
9. Adjust A4R531 (see Figure 2-7) to read two times the error, press **CAL**, ADJ CURR IF STATE.
10. Repeat to check. Readjust as necessary to get error adjusted to zero.

## 6. Sampling Oscillator Adjustment

### Assembly Adjusted

A15 RF Assembly

### Related Performance Test

There is no related performance test for this adjustment procedure.

### Description

The phase detector bias is adjusted for 1.8 Vdc. The sampling oscillator tank circuit is adjusted for a tuning voltage of 0.9 Vdc when the oscillator is set to 288 MHz. The voltage monitored is actually the tuning voltage divided by 4.05. A coarse-tune procedure is also included, but should only be necessary when the coaxial resonator is replaced. The power and match of the sampling oscillator signal to the A15A2 Sampler are also adjusted.

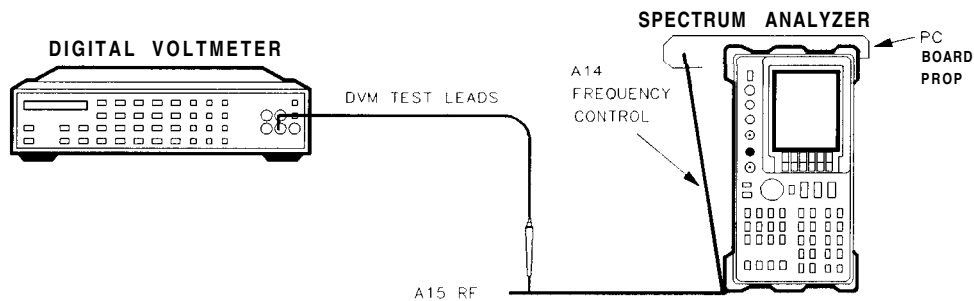


Figure 2-8. Sampler Adjustment Setup

### Equipment

An asterisk (\*) indicates equipment used only for the coarse-tune procedure.

Digital Voltmeter .....	HP 3456A
DVM Test Leads .....	HP 34118A
Frequency Counter* .....	HP 5343A
Active Probe* .....	HP 1121A
Power Supply* .....	HP 6114A
1 M $\Omega$ Resistor* .....	0757-0080

#### Adapters

Type BNC (f) to BNC (f)\* .....

1250-0059

#### Cables

BNC, 122 cm (48 in)\* .....

HP 10503A

## 6. Sampling Oscillator Adjustment

### Procedure

1. Set the HP 8560A **LINE** switch to off and disconnect the line power cord. Remove the analyzer cover and fold down the A15 RF and A14 Frequency Control assemblies. Prop up the A14 Frequency Control assembly. Reconnect the line power cord and set the (LINE) switch on. Connect the equipment as illustrated in Figure 2-8.

2. Press **PRESET** on the HP 8560A and set the controls as follows:

CENTER FREQ .....661 MHz  
CF STEP .....30 MHz  
SPAN ..... 0 Hz

3. Set the HP 3456A controls as follows:

FUNCTION ..... DCVOLTS  
RANGE .....IOV.MANUAL

### Phase Detector Bias Adjustment

4. Connect the negative DVM lead to A15J200 pin 6, and the positive lead to A15J200 pin 15.
5. Adjust A15R453 PHASE DET BIAS for a DVM reading of  $+1.8 \pm 0.02$  Vdc.

### Sampling Oscillator Fine-Tune Adjustment

6. Connect the positive DVM lead to A15J200 pin 13. Leave the negative DVM lead connected to A15J200 pin 6.
7. Adjust A15C210 VCO RANGE for a DVM reading of  $+5.18 \pm 0.05$  Vdc.

---

**Note** If A15C210 cannot be adjusted for 5.18 Vdc, perform the coarse-tune adjustment located at the end of this procedure.

---

### Power and Sampler Match Adjustments

8. Connect the negative DVM test lead to A15J400 pin 6, and the positive DVM test lead to A15J400 pin 1.
9. Press **FREQUENCY** and set the HP 8560A center frequency to 511 MHz. This sets the sampling oscillator to 288 MHz.
10. Adjust A15C100 SMPL MATCH 1 to peak the voltage displayed on the DVM.

---

**Note** If a peak cannot be obtained, the sampling oscillator power might be too low. Adjust A15R237 SMPL PWR ADJ clockwise one-eighth turn and repeat step 10. If necessary, continue increasing the oscillator power, but do not allow the displayed voltage to exceed +3 Vdc when peaked.

---

11. Adjust A15R237 SMPL PWR ADJ to set the displayed voltage to  $+0.9 \pm 0.2$  Vdc.

### 2-34 Adjustment Procedures

## 6. Sampling Oscillator Adjustment

12. Record the displayed voltage in Table 2-11 as the displayed voltage for the sampling oscillator frequency of 288 MHz.
13. Press **FREQUENCY** on the HP 8560A. Use the step keys to set the analyzer center frequency to the frequencies listed in Table 2-11. At each listed frequency, record the displayed voltage in the table.
14. If the difference between the maximum and minimum voltages is less than 0.50 V, and all voltage readings are between +0.5 and +2.5 Vdc, proceed to step 19.
15. Locate the center frequency at which the voltage is lowest. Use the **▲** and **▼** keys to set the HP 8560A to this frequency.
16. Readjust SMPL MATCH 1 to set the displayed voltage to  $0.8 \pm 0.1$  Vdc.
17. Move the positive DVM test lead to A15J400 pin 3.
18. Set the HP 8560A center frequency to 511 MHz.
19. Readjust A15R237 SMPL PWR ADJ if necessary, until the voltage at A15J400 pin 3 is -0.5 to -2.5 Vdc and the voltage at A15J400 pin 1 is -0.5 to -2.5 Vdc.
20. Disconnect the DVM probes from A15J400.

### Coarse-Tune Adjustment

---

**Note** This adjustment should be necessary only if the coaxial resonator 2200 has been replaced or if there was insufficient range in the Sampling Oscillator Fine-Tune Adjustment.

---

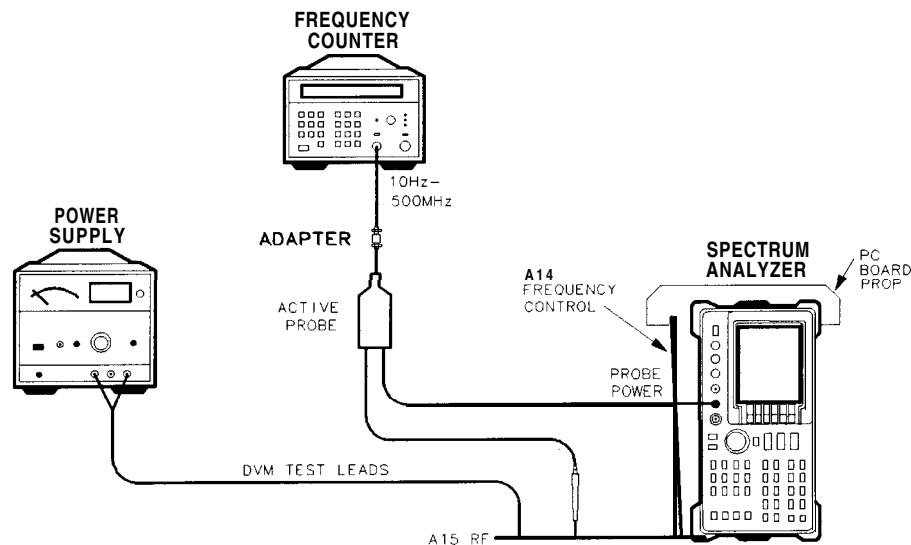


Figure 2-9. Coarse-Tune Adjustment Setup

21. Set the HP 8560A **LINE** switch off and remove the top shield over the sampling oscillator. Connect the equipment as shown in Figure 2-9.
22. Remove any existing shorts from the exposed center-conductor of coaxial resonator 2200 to the ground plane.

## 6. Sampling Oscillator Adjustment

23. Set the HP 6114A Power Supply for a 21 Vdc output  $\pm 0.2$  V. Connect the positive supply lead to X201 pin 1 and the negative supply lead to X201 pin 4.
24. Connect the active probe to TP201.
25. Set the HP 8560A [LINE] switch on and set the controls as follows:
  - CENTERFREQ ..... 661 MHz
  - SPAN ..... 0 Hz
26. Set the HP 5343A Frequency Counter as follows:
  - SAMPLE RATE ..... Counterclockwise
  - 50 $\Omega$ —M $\Omega$  SWITCH ..... 50 $\Omega$
  - 10 Hz-500 MHz/500 MHz-26.5 GHz SWITCH ..... 10 Hz-500 MHz
  - RESOLUTION ..... 100 kHz
27. Starting at the end of 2200 nearest X201, short the center conductor to a hole in the ground plane with the lead of a 1 M $\Omega$  resistor (HP part number 0757-0059) until the frequency counter reads 298 MHz  $\pm 4$  MHz.
28. Once the proper tap has been found, solder the resistor lead to the ground plane and the center conductor of 2200. Cut away the rest of the resistor.
29. Remove the power supply leads and the active probe.
30. Set the HP 8560A (LINE) switch off and reinstall the top shield. Set the **(LINE)** switch on.
31. Repeat the procedure beginning at step 2 for the remaining center frequencies listed in Table 2-11.

**Table 2-11. Sampling Adjustments**

Center Frequency (MHz)	Sampling Oscillator (MHz)	Displayed Voltage (Vdc)				
		1st Trial	2nd Trial	3rd Trial	4th Trial	5th Trial
361	280					
451	284					
481	286					
511	288					
541	<b>290</b>					
571	<b>292</b>					
601	<b>294</b>					
631	<b>296</b>					
661	<b>298</b>					

## 7. YTO Adjustment

### Assembly Adjusted

A14 Frequency Control Assembly

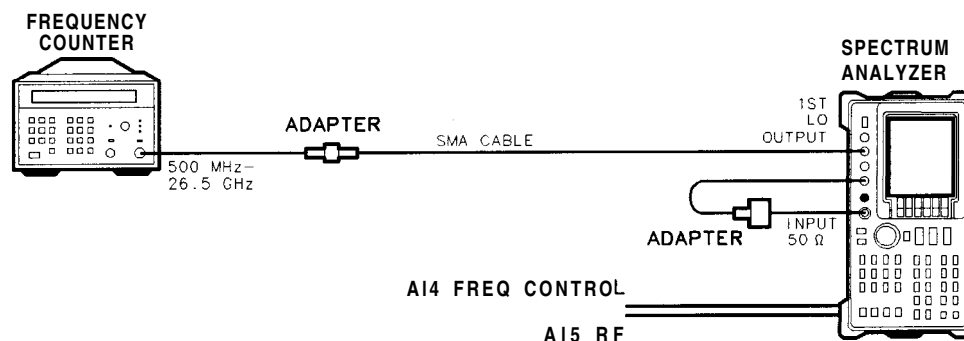
### Related Performance Tests

Frequency Span Accuracy

Frequency Readout Accuracy and Frequency Count Marker Accuracy

### Description

The YTO main coil adjustments are made with the phase-lock loops disabled. The YTO endpoints are adjusted to bring these points within the capture range of the main loop. The YTO FM coil is adjusted to place the 300 MHz CAL OUTPUT signal at the center vertical graticule in a 20 MHz span.



SK19

Figure 2-10. YTO Adjustment Setup

### Equipment

Microwave Frequency Counter ..... HP 5343A Option 001

#### Adapters

Type N (m) to BNC (f) ..... .1250-1476

Type N (f) to APC 3.5 (f) (*Option 026 only*). ..... .1250-1745

APC 3.5 (f) to APC 3.5 (f) ..... .5061-5311

#### Cables

BNC, 122 cm (48 in) ..... HP 10503A

SMA, 61 cm (24 in) .....8120-1578

## 7. YTO Adjustment

### Procedure

---

**Note** This adjustment cannot be performed if the analyzer preselected external mixer mode is selected.

---

#### YTO Main Coil Adjustments

1. Set the HP 8560A **LINE** switch off. Remove the analyzer cover and fold down the A15 RF and A14 Frequency Control assemblies.
2. Disconnect the 50 $\Omega$  termination from the 1ST LO OUTPUT. Connect the equipment as shown in Figure 2-10. Set the **LINE** switch on.
3. Move the jumper on A14523 from the NORM position (pins 1 and 2 jumpered) to the TEST position (pins 2 and 3 jumpered).
4. On the HP 8560A, press the following keys:  
**CONFIG** EXT MXR UMPR  
**AUX CTRL** **EXTERNAL MIXER** **LOCK HARMONIC 6** **Hz**  
**SPAN** ZERO SPAN  
**FREQUENCY** CENTER **FREQ** 18.8893 **GHz** **SGL SWP**, then press  
**SAVE** SAVE LOCK OFF SAVE STATE STATE 0. Press **FREQUENCY** 35.7493 **GHz**  
(SAVE) SAVE STATE STATE 1, then press **RECALL** RECALL STATE STATE 0.
5. On the HP 5343A, press **SHIFT** 7 and set the controls as follows:  
SAMPLE RATE ..... Fully Counterclockwise  
10 Hz-500 MHz/500 MHz-26.5 GHz SWITCH ..... 500 MHz-26.5 GHz
6. Adjust A14R93 3.2 GHz for the appropriate frequency counter reading of 3.200 GHz  $\pm$ 1 MHz.
7. On the HP 8560A, press STATE 1.
8. Adjust A14R42 6.01 GHz for a frequency counter reading of 6.010 GHz  $\pm$ 1 MHz.
9. On the HP 8560A, press STATE 0.
10. Repeat steps 6 through 9 until both of these interacting adjustments meet their tolerances.
11. Place the jumper on A14523 in the NORM position (pins 1 and 2 jumpered).
12. Disconnect the SMA cable from the 1ST LO OUTPUT jack and reconnect the 50 $\Omega$  termination on the 1ST LO OUTPUT.



**YTO FM Coil Adjustments**

13. On the HP 8560A, press **PRESET** and set the controls as follows:

CENTER FREQ ..... 300 MHz  
SPAN ..... 20 MHz

14. Adjust A14R76 FM SPAN until the 300 MHz CAL OUTPUT SIGNAL is aligned with the center vertical graticule line.

## 8. First LO Distribution Amplifier Adjustment

### Assembly Adjusted

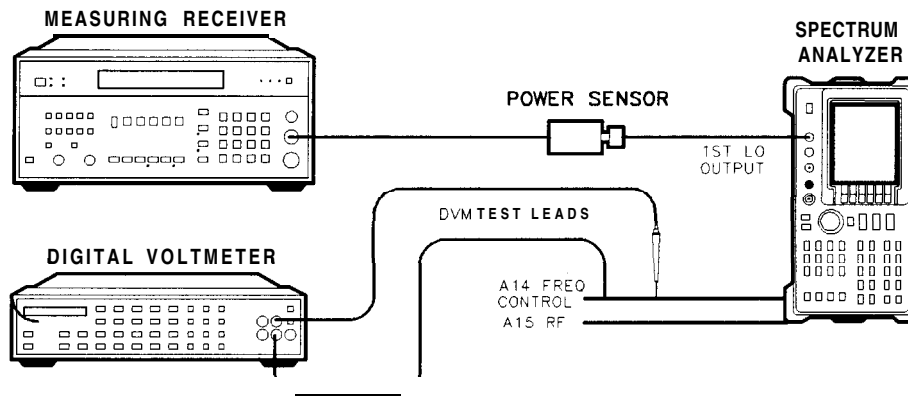
A14 Frequency Control Assembly

### Related Performance Test

First LO OUTPUT Amplitude

### Description

The gate bias for the A7 LO Distribution Amplifier is adjusted to the value specified on A7. LO AMPTD is adjusted so that the LO SENSE voltage is 6 mV more negative than the value specified on the A7 LODA label.



SK110

Figure 2-11. First LO Distribution Amplifier Adjustment Setup

### Equipment

Measuring Receiver .....	HP 8902A
DVM .....	HP 3456A
Power Sensor .....	HP 8485A
DVM Test Leads .....	HP 34118A

### Adapters

Type N (f) to APC (m) .....	1250-1750
-----------------------------	-----------

### Procedure

1. Set the HP 8560A (LINE) switch off and disconnect the line cord. Remove the cover and fold down the A15 RF and A14 Frequency Control assemblies. Reconnect the line cord.
2. Remove the 50Ω termination from the 1ST LO OUTPUT.
3. Connect the positive lead of the DVM probe to pin 15 of A14J18. Connect the DVM ground lead to pin 6 of A14J18. See Figure 2-11.

## 8. First LO Distribution Amplifier Adjustment

4. Set the HP 3456A controls as follows:

FUNCTION ..... DCVOLTS  
RANGE ..... 10 V  
RESOLUTION ..... 1mV

5. Turn the HP 8560A **LINE** switch on.
6. Adjust A14R628 GATE BIAS for a DVM reading within 5% of the GATE BIAS voltage printed on the A7 LO Distribution Amplifier label.
7. Zero and calibrate the HP 8902A/HP 8485A in LOG mode (power levels read in dBm). Enter the power sensor 1 GHz Cal Factor into the HP 8902A.
8. Connect the power sensor to the 1ST LO OUTPUT on the HP 8560A.
9. On the HP 8560A, press (**PRESET**) (**SPAN**) ZERO **SPAN** (**FREQUENCY**) 1.0893 (**GHz**).
10. Connect the positive DVM lead to A14J18 pin 13.
11. Note the LO SENSE voltage printed on the A7 LODA label. Adjust A14R621 LO AMPTD until the DVM reads 6 mV more negative than the LO SENSE voltage printed on the A7 LODA label. For example, if the LO SENSE voltage is -170 mV, adjust A14R621 until the DVM reads -176 mV.
12. Check that the HP 8902A power level reads greater than +15.2 dBm.
13. Disconnect the power sensor from the 1ST LO OUTPUT and reconnect the 50 $\Omega$  termination.
14. Disconnect the DVM leads from A14J18.

---

## 9. Tracking Generator Power Level Adjustments

### Assembly Adjusted

A10 Tracking Generator Assembly

### Related Performance Test

Absolute Amplitude and Vernier Accuracy

### Description

The A10 Tracking Generator has two adjustments for setting the output power. A10R13 -10 dB ADJ sets the power level when the TRK GEN RF POWER is set to -10 dBm and A10R18 0 dB ADJ sets the power level when the TRK GEN RF POWER is set to 0 dBm. The -10 dB ADJ acts as an offset adjustment while 0 dB ADJ acts as a gain adjustment.

These adjustments are set in the factory for a 10 dB difference in output power between the -10 dBm and 0 dBm TRK GEN RF POWER settings. When installing a replacement tracking generator, it should only be necessary to adjust -10 dB ADJ (the offset adjustment) to account for variations in cable loss from the tracking generator to the RF OUT 50  $\Omega$  connector. This adjustment is done at a 0 dBm TRK GEN RF POWER setting. This ensures that the absolute power level with a 0 dBm TRK GEN RF POWER setting is 0 dBm with little effect, if any, on the vernier accuracy.

In some cases, the power level at the -10 dBm TRK GEN RF POWER setting might be out of tolerance. In such cases, the -10 dB ADJ is set at a TRK GEN RF POWER of -10 dBm and the 0 dB ADJ is set at a TRK GEN RF POWER of 0 dBm. These two adjustments must be iterated until the power level at the two settings are within the given tolerance.

### Equipment

Measuring Receiver . . . . . HP 8902A  
Power Sensor . . . . . HP 8482A

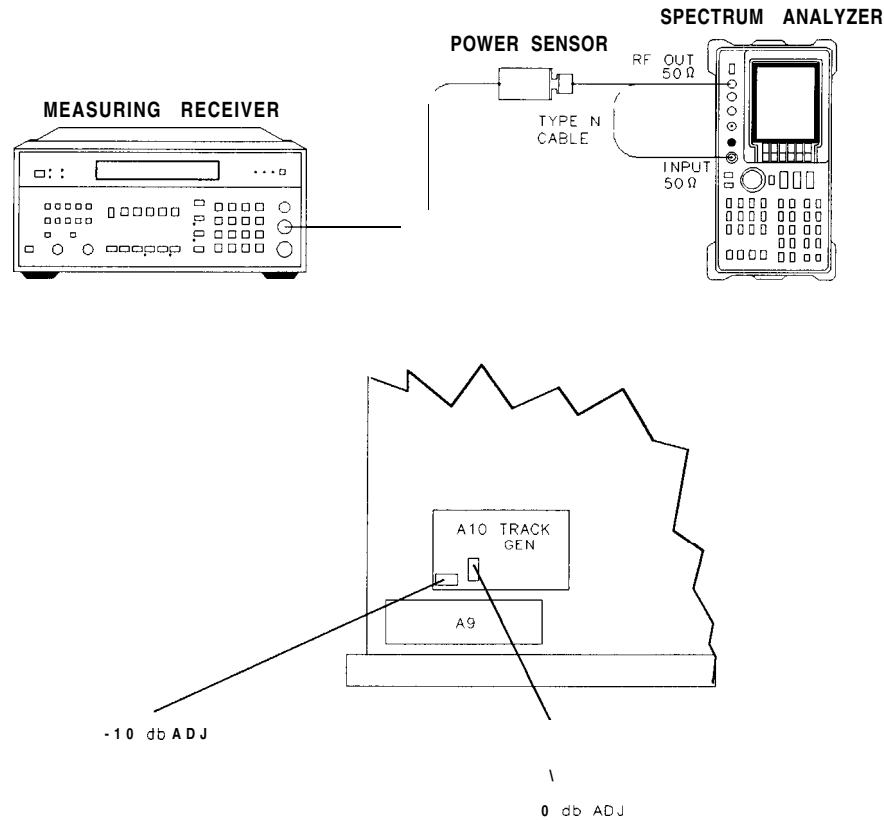
#### Cable

Type N, 62 cm (24 in.) . . . . . HP 11500B/C

### Procedure

1. Set the HP 8560A LINE switch off. Remove the analyzer's cover and place the analyzer in the service position as illustrated in Figure 2-12.

## 9. Tracking Generator Power Level Adjustments



**Figure 2-12. Tracking Generator Power Level Adjustments Setup and Adjustment Locations**

2. Connect the Type N cable between the RF OUT 50Ω and RF INPUT 50Ω connectors on the HP 8560A.
3. Press (**PRESET**) on the HP 8560A and set the controls as follows:
 

CENTER FREQ	.....	300 MHz
SPAN	.....	0 Hz
4. On the HP 8560A, press (**MKR**), (**AUX CTRL**), TRACKING GENRATOR, SRC PWR ON, (**0**), and (**dBm**).
5. On the HP 8560A, press MORE 1 OF 3 , TRACKING PEAK. Wait for the “PEAKING” message to disappear.
6. Zero and calibrate the measuring receiver/power sensor combination in log mode (power levels readout in dBm). Enter the power sensor’s 300 MHz Cal Factor into the measuring receiver.
7. Disconnect the Type N cable from the RF OUT 50Ω and connect the power sensor to the RF OUT 50Ω.
8. On the HP 8560A, press (**0**), (**dBm**), and (**SGL SWP**).
9. Adjust A10R13 -10 dB ADJ for a 0 dBm +/-0.0dB reading on the measuring receiver.

## 9. Tracking Generator Power Level Adjustments

10. Set the TRK GEN RF POWER to -10 dBm. Note the power displayed on the measuring receiver.

Power at -10 dBm Setting \_\_\_\_\_dBm

11. Proceed with steps 12 through 14 only if the power level noted in the previous step was outside the range of -10 dBm  $\pm$ .23 dB.
12. With the TRK GEN RF POWER set to -10 dBm, adjust A10R13 -10 dB ADJ for a -10 dBm  $\pm$ .1 dB reading on the measuring receiver. Refer to Figure 2-12 for adjustment location.
13. Set the TRK GEN RF POWER to 0 dBm. Adjust A10R18 0 dB ADJ for a 0 dBm  $\pm$ 0.2 dB reading on the measuring receiver. Refer to Figure 2-12 for adjustment location.
14. Repeat steps 12 and 13 until the output power level is within the tolerances indicated at both the -10 dBm and 0 dBm TRK GEN RF POWER settings. Adjust -10 dB ADJ only with the TRK GEN RF POWER set to -10 dBm and adjust 0 dB ADJ only with the TRK GEN RF POWER set to 0 dBm.

## 10. Frequency Response Adjustment

### Assembly Adjusted

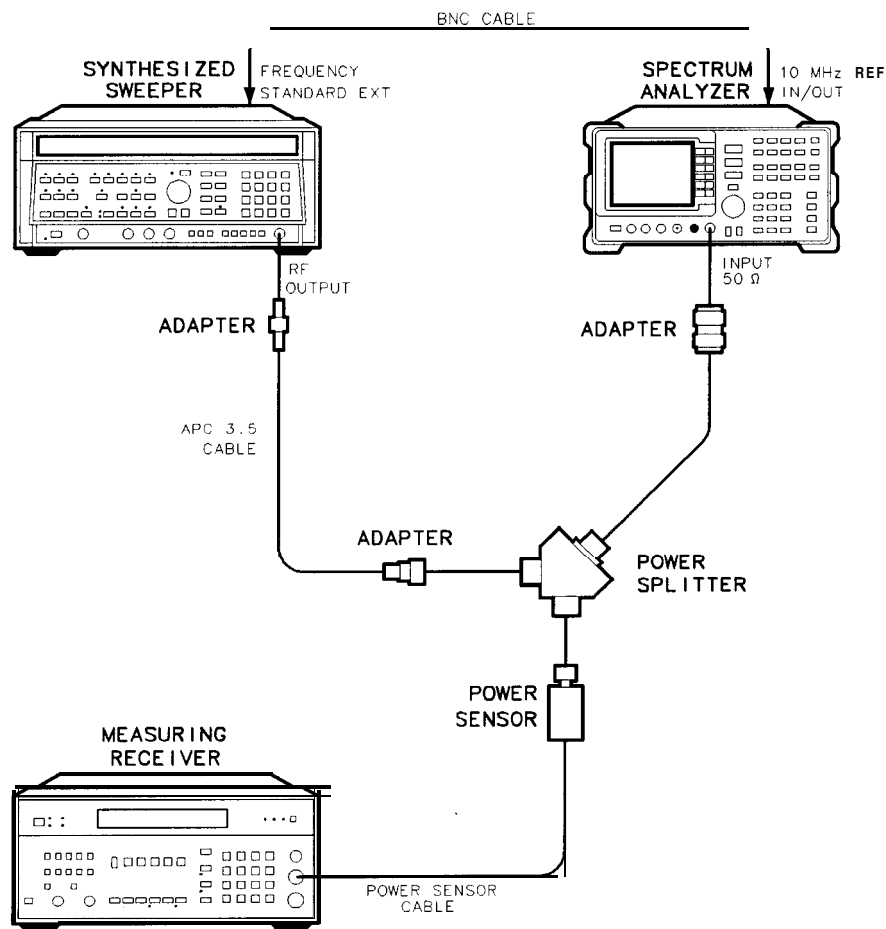
A15 RF Assembly

### Related Performance Tests

Displayed Average Noise Level  
Frequency Response

### Description

A signal of the same known amplitude is applied to the spectrum analyzer at several different frequencies. At each frequency, the DAC controlling the flatness compensation amplifiers is adjusted to place the peak of the displayed signal at the same place on the screen. The preselector is centered at each frequency before setting the DAC value. The DAC values are stored in EEROM.



SJ12

Figure 2-13. Frequency Response Adjustment Setup

## 10. Frequency Response Adjustment

### Equipment

Synthesized Sweeper .....	HP 8340A/B
Measuring Receiver .....	HP 8902A
Power Sensor .....	HP 8482A
Power Splitter .....	HP 11667A

#### Adapters

Type N (m) to Type N (m) .....	1250-1475
Type N (f) to APC 3.5 (m) .....	1250-1750
Type APC 3.5 (f) to APC 3.5 (f) .....	5061-5311

#### Cables

BNC, 122 cm (48 in) .....	HP 10503A
APC 3.5, 91 cm (36 in) .....	8120-4921

### Procedure

1. Connect the equipment as shown in Figure 2-13. Do not connect the HP 8482A Power Sensor to the HP 11667B Power Splitter.
2. Zero and calibrate the HP 8902A/HP 8482A combination in log mode (power levels read out in dBm) and connect the power sensor through an adapter to the power splitter.
3. Place the WR PROT/WR ENA jumper on the A2 Controller assembly in the WR ENA position.
4. Press **PRESET** on the HP 8560A and set the controls as follows:

CENTERFREQ .....	..IO MHz
SPAN .....	.. 0 Hz
RES BW .....	.. 300kHz
dB/DIV .....	.. 2dB
5. Press **INSTR PRESET** on the HP 8340A/B and set the controls as follows:

CW .....	..IO MHz
POWERLEVEL .....	.. -4 dBm
6. On the HP 8560A, press **MKR** **CAL** MORE 1 OF 2 SERVICE CAL DATA, then FLATNESS. The current value of the RF Gain DAC should be displayed in the active function area.
7. Enter the appropriate Power Sensor Calibration factor into the HP 8902A.
8. Set the HP 8340A/B **CW** output to the frequency indicated in the active function area of the HP 8560A display. Adjust the HP 8340A/B POWER LEVEL for a -10 dBm reading on the HP 8902A.
9. On the HP 8560A, adjust the RF Gain DAC value using the front-panel knob or keypad until the marker reads -10 dBm +/- .10 dB.
10. On the HP 8560A, press **▲** to proceed to the next frequency.
11. Repeat steps 7 through 10 for all low band frequencies.
12. Press PREV MENU STORE DATA , then YES on the HP 8560A.



## 10. Frequency Response Adjustment

13. Place the WR PROT/WR ENA jumper on the A2 Controller assembly in the WR PROT position.

---

## 11. Calibrator Amplitude Adjustment

### Assembly Adjusted

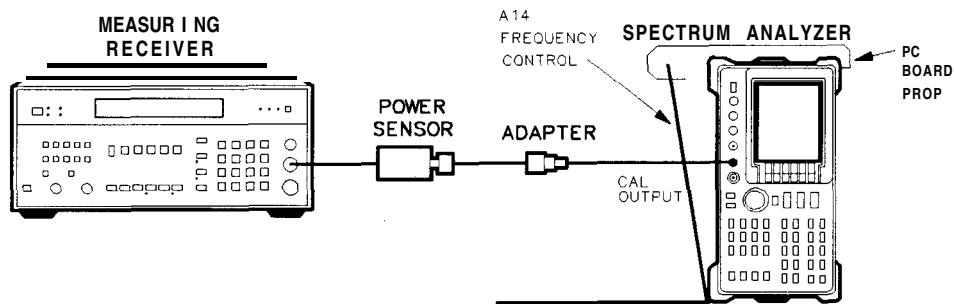
AI5 RF Assembly

### Related Performance Test

Calibrator Amplitude and Frequency Accuracy

### Description

The CAL OUTPUT amplitude is adjusted for  $-10.00$  dBm measured directly at the front panel CAL OUTPUT connector.



SK113

Figure 2-14. Calibrator Amplitude Adjustment Setup

### Equipment

Measuring Receiver . . . . . HP 8902A  
Power Sensor . . . . . HP 8482A

### Adapters

Type N (f) to BNC (m) . . . . . 1250-1477

### Procedure

---

**Note** The HP 8560A should be allowed to warm up for at least 30 minutes before performing this adjustment.

---

1. Place the HP 8560A in the service position shown in Figure 2-14. Prop the A14 Frequency Control Board assembly in the service position.
2. Zero and calibrate the HP 8902A/HP 8482A combination in log display mode. Enter the power sensor 300 MHz Cal Factor into the HP 8902A.

## 11. Calibrator Amplitude Adjustment

3. Connect the HP 8482A through an adapter directly to the HP 8560A CAL OUTPUT connector.
4. Adjust A15R561 CAL AMPTD for a -10.00 dBm reading on the HP 8902A display.

---

## 12. 10 MHz Reference Adjustment (Non-Option 003 only)

### Assembly Adjusted

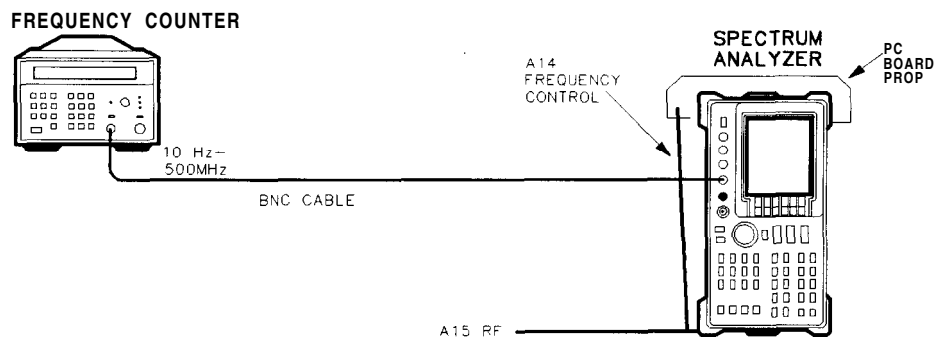
A15 RF Assembly

### Related Performance Test

10 MHz Reference Output Accuracy

### Description

The frequency counter is connected to the CAL OUTPUT, which is locked to the 10 MHz reference. This yields better effective resolution. The temperature-compensated crystal oscillator (TCXO) is adjusted for a frequency of 300 MHz as read by the frequency counter.



SK114

Figure 2-15. 10 MHz Frequency Reference Adjustment Setup

### Equipment

Microwave Frequency Counter ..... HP 5343A Option 001

#### Cables

BNC, 122 cm (48in) ..... HP 10503A

### Procedure

---

**Note** Allow the HP 8560A to warm up for at least 30 minutes before performing this adjustment.

---

1. Connect the equipment as shown in Figure 2-15. Prop up the A14 Frequency Control Assembly.
2. Set the HP 5343A controls as follows:  
SAMPLE RATE ..... Midrange  
50Ω-1 MΩ SWITCH ..... 50Ω  
10 Hz-500 MHz/500 MHz-26.5 GHz SWITCH ..... 10 Hz-500 MHz

## 12. 10 MHz Reference Adjustment (Non-Option 003 only)

3. Press **AUX CTRL**, REAR PANEL , and ensure that the 10 MHz reference is set to 10 MHz INT.

---

**Note** When the 10 MHz reference is set to **10 MHz EXT** , the TCXO is not operating and warmed up. If the reference is set to **10 MHz EXT** , set the reference to 10 MHz INT and allow 30 minutes for the TCXO to warm up.

---

4. Remove dust cap from A15U302, TCXO. The dust cap is toward the rear of the HP 8560A.
5. Adjust 10 MHz ADJ on A15U302 for a frequency counter reading of 300.000000 MHz  $\pm 30$  Hz.
6. Replace the dustcap on A15U302.

---

## 13. Demodulator Adjustment

### Assembly Adjusted

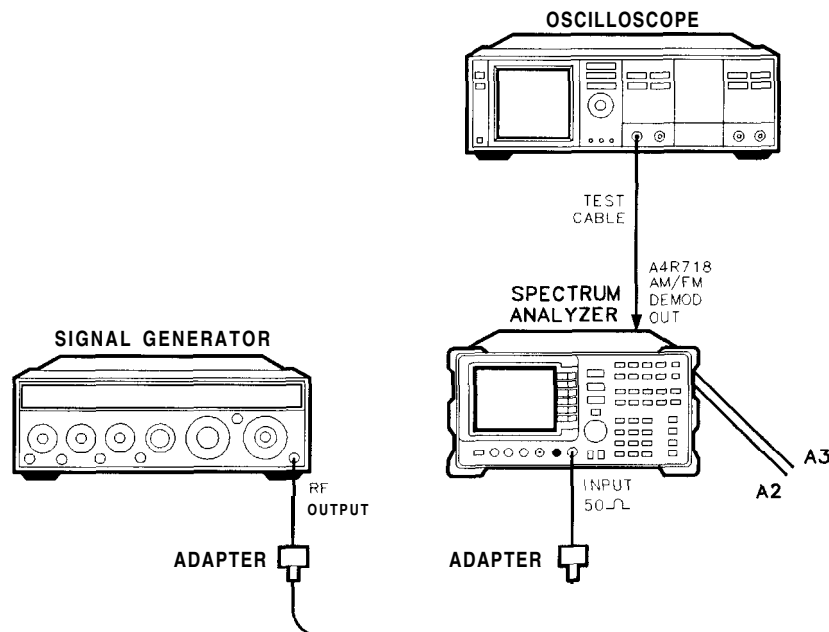
A4 Log Amplifier Assembly

### Related Performance Test

There is no related performance test for this adjustment procedure.

### Description

A 5 kHz peak-deviation FM signal is applied to the INPUT 50Ω. The detected audio is monitored by an oscilloscope. FM DEMOD is adjusted to peak the response displayed on the oscilloscope.



SK115

Figure 2-16. Demodulator Adjustment Setup

### Equipment

AM/FM Signal Generator ..... HP 8640B  
Oscilloscope ..... HP 1980A/B

#### Adapters

Type N (m) to BNC (f) (2 required) .....1250-1476

## 13. Demodulator Adjustment

### Cables

BNC, 122 cm (48 in) .....	HP 10503A
1:1 Oscilloscope Probe .....	HP 10084A

### Procedure

1. Set the HP 8560A **LINE** switch off. Place the analyzer in the service position as illustrated in Figure 2-16.
2. Connect the 1:1 probe from the oscilloscope Channel 1 input to A4R718 (the end closest to A4J4). Set the HP 8560A **LINE** switch on. Connect the HP 8640B RF OUTPUT to the HP 8560A INPUT 50R.

3. Set the HP 8640B controls as follows:

RANGE MHz .....	61-128
FREQUENCY .....	100.000 MHz
OUTPUT LEVEL .....	-10 dBm
RF .....	ON
AM .....	OFF
FM .....	INT
MODULATION FREQUENCY .....	1000 Hz
PEAK DEVIATION .....	5 kHz
SCALEFM .....	(k/MHz)

4. Adjust the HP 8640B FM Deviation vernier for a full-scale reading on the meter. Set the FM to off.
5. Set the HP 1980A/B controls as follows:

CH 1 .....	ON
CH 2 .....	OFF
CH 1 VOLTS/DIV .....	50 mV
TIMEBASE .....	MAIN
CHACOUPLING .....	AC
SECS/DIV .....	1.00 ms/DIV
TRIGGER .....	INT
H F REJ .....	ON
TRIGGER COUPLING .....	AC

6. On the HP 8560A, press **PRESET** and set the controls as follows:

CENTER FREQ .....	100 MHz
SPAN .....	5 MHz
REF LVL .....	-10 dBm
RES BW .....	100 kHz

7. On the HP 8560A, press **PEAK SEARCH** **MARKER** **▶** CF. Press **SPAN** ZERO SPAN, then **AUX CTRL** AM/ FM DEMOD FM DEMOD ON **TRIG** and SINGLE.
8. Set the FM to INT on the HP 8640B.
9. A 1 kHz sine wave should be observed on the oscilloscope.
10. Adjust A4C707 FM DEMOD for a maximum peak-to-peak response on the oscilloscope. See Figure 2-7 for adjustment location.

### 13. Demodulator Adjustment

---

**Note**

It is possible to do this procedure without an oscilloscope by adjusting A4C707 FM DEMOD for the loudest audio tone from the internal speaker. This adjustment method may give broader and less accurate results than when using the oscilloscope to peak the response.

---

11. Set the HP 8560A **LINE** switch to off. Disconnect the probe from A4R718.



## 14. External Mixer Bias Adjustment

### Assembly Adjusted

A15 RF Assembly

### Related Performance Test

There is no related performance test for this adjustment procedure.

### Description

A voltmeter is connected to the HP 8560A IF INPUT with the external mixer bias set to off. The bias is adjusted for a 0 Vdc output.

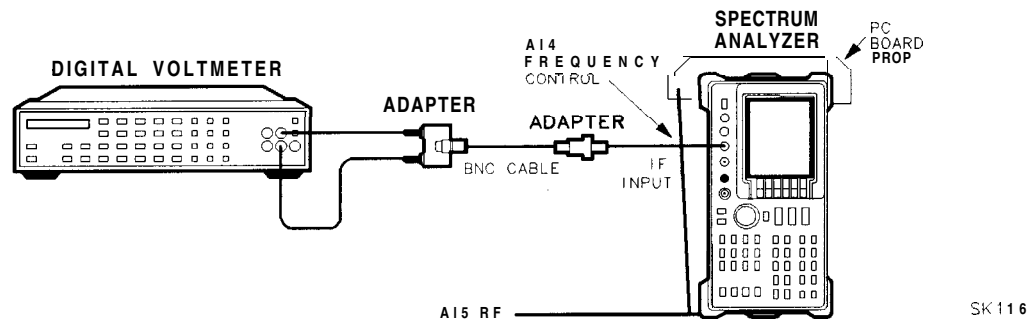


Figure 2-17. External Mixer Bias Adjustment Setup

### Equipment

DVM ..... HP 3456A

#### Adapters

Type BNC (f) to SMA (m) ..... 1250-1200

Type BNC (f) to dual banana plug ..... 1251-2816

#### Cables

BNC, 122 cm (48 in)..... HP 10503A

### Procedure

1. Set the HP 8560A (LINE) switch off and disconnect the ac power cord. Remove the analyzer cover and connect the equipment as illustrated in Figure 2-17. Reconnect the power cord and set the (LINE) switch on.

2. Set the HP 3456A controls as follows:

FUNCTION ..... DCVOLTS  
 RANGE ..... 0.1 V  
 RESOLUTION ..... 100mV

#### 14. External Mixer Bias Adjustment

3. On the HP 8560A press **AUX CTRL** EXTERNAL MIXER BIAS, then BIAS OFF.
4. Adjust A15R926 EXT BIAS ZERO for a DVM reading of 0.000 Vdc  $\pm$ 12.5 mV.

## 15. External Mixer Amplitude Adjustment

### Assembly Adjusted

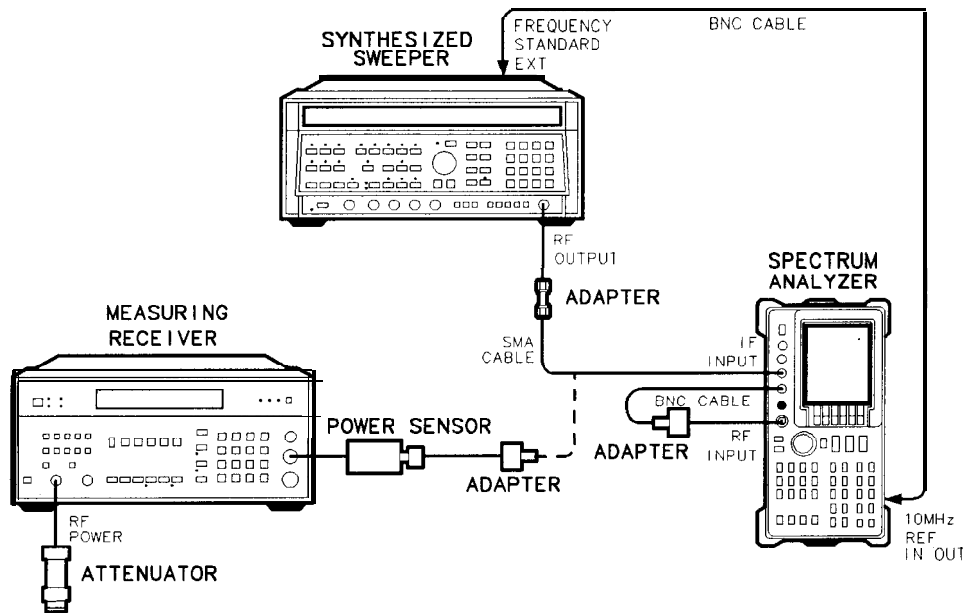
A15 RF Assembly

### Related Performance Test

IF Input Amplitude Accuracy

### Description

The slope of the flatness compensation amplifiers is determined. The user-loaded conversion losses for K-band are recorded and reset to 30 dB. A 310.7 MHz signal is applied to the power sensor and the power level of the source is adjusted for a -30 dBm reading. The signal is then applied to the IF INPUT. The flatness compensation amplifiers are then adjusted (via DACs) to place the displayed signal at the reference level. Only the determination of the Flatness Compensation Amplifier slope is performed if the HP 8560A has Option 002.



3K117

Figure 2-18. External Mixer Amplitude Adjustment Setup

### Equipment

Synthesized Sweeper .....	HP 8340A/B
Measuring Receiver .....	HP 8902A
Power Sensor .....	HP 8484A
50 MHz Reference Attenuator .....	HP 11708A
<i>(supplied with HP 8484A)</i>	

## 15. External Mixer Amplitude Adjustment

### Adapters

Type N (f) to SMA (f) .....	.1250-1772
Type N (m) to BNC (f) .....	.1250-1476
Type APC 3.5 (f) to APC 3.5 (f) .....	.5061-5311

### Cables

BNC, 122 cm (48in) .....	HP 10503A
SMA, 61 cm (24in) .....	..8120-1578

## Procedure

1. Set the HP 8560A **LINE** switch off and disconnect the power cord. Remove the analyzer cover and reconnect the power cord.
2. Set up the equipment as illustrated in Figure 2-18. Do not connect the SMA cable to the HP 8560A.
3. Move the WR PROT/WR ENA jumper on the A2 Controller assembly to the WR ENA position. Set the HP 8560A **LINE** switch on.
4. On the HP 8560A, press **AUX CTRL** EXTERNAL MIXER AMPTD CORRECT , then CNV LOSS VS **FREQ** .
5. On the HP 8560A, press **CAL**, MORE 1 OF 2, SERVICE CAL DATA, 3RD IF AMP, and CAL 3RD AMP GAIN. Wait until the message ADJUSTMENT-DONE appears in the active function block.

---

## Note

Perform the following steps only if the HP 8560A does not have Option 002.

---

6. Press **▲** or **▼** to display the conversion loss value for each frequency listed in Table 2-12. Record any conversion loss reading *not equal* to 30 dB in Table 2-12 at the appropriate frequency.
7. If all conversion loss values equal 30 dB, skip to step 8, otherwise continue to step a.
  - a. Refer to Table 2-12 and press **▲** or **▼** to select a frequency at which the conversion loss value does not equal 30 dB.
  - b. Use the analyzer front-panel keys to set the conversion loss value to 30 dB.
  - c. Repeat steps a and b for all frequencies having a conversion loss value other than 30 dB.
8. Press **INSTR PRESET** on the HP 8340A/B and set the controls as follows:

CW .....	310.7 MHz
POWERLEVEL .....	-30 dBm

## 15. External Mixer Amplitude Adjustment

Table 2-12. Conversion Loss Data

Frequency (GHz)	Conversion Loss (dB) ( $\neq 30$ dB)
18	
20	
22	
24	
26	
27	

9. Connect the HP 8484A to the HP 11708A attenuator already connected to the HP 8902A RF Power connector. Zero and calibrate the HP 8902A/HP 8484A combination in log mode. Enter the power sensor 50 MHz Cal Factor into the HP 8902A. Connect the power sensor, through an adapter, to the SMA cable.
10. Adjust the HP 8340A **POWER LEVEL** until the power displayed on the HP 8902A reads  $-30$  dBm  $\pm 0.05$  dB.
11. Disconnect the SMA cable from the power-sensor/adapter and connect the cable to the HP 8560A IF INPUT.
12. On the HP 8560A, press **CAL** MORE 1 OF 2 SERVICE CAL DATA 3RD IF AMP, then CAL 3RD AMP GAIN.
13. Wait until the message ADJUSTMENT-DONE appears in the active function block and press EXT MXR REF CAL.
14. Use the HP 8560A front-panel knob, step keys, or keypad to change the amplitude of the displayed signal until the marker reads  $0$  dBm  $\pm 0.17$  dB.
15. Press PREV MENU STORE DATA and YES on the HP 8560A.
16. Place the WR PROT/ WR ENA jumper on the A2 Controller assembly in the WR PROT position.

---

**Note** The following steps should only be performed if you need to replace the 30 dB conversion loss values with those recorded in Table 2-12.

---

17. Press **AUX CTRL** EXTERNAL MIXER AMPTD CORRECT, then CNV LOSS VS FREQ on the HP 8560A.
18. Press **▲** or **▼** to select frequencies where the conversion loss value was recorded in Table 2-12.
19. Use the analyzer front panel keys to enter the conversion loss values recorded for the frequency.

---

## 16. Second IF Gain Adjustment

### Assembly Adjusted

A15 RF Assembly

### Related Performance Test

IF Input Amplitude Accuracy

### Description

The gain of the Second IF (between A15J801 INT Second IF and the third mixer) is set to **12 dB**.

---

**Note** This adjustment is necessary after replacing either A15A1 Second IF Amplifier or A15U802 Second IF pad.

---

### Equipment

No test equipment or test setup is required for this adjustment procedure.

### Procedure

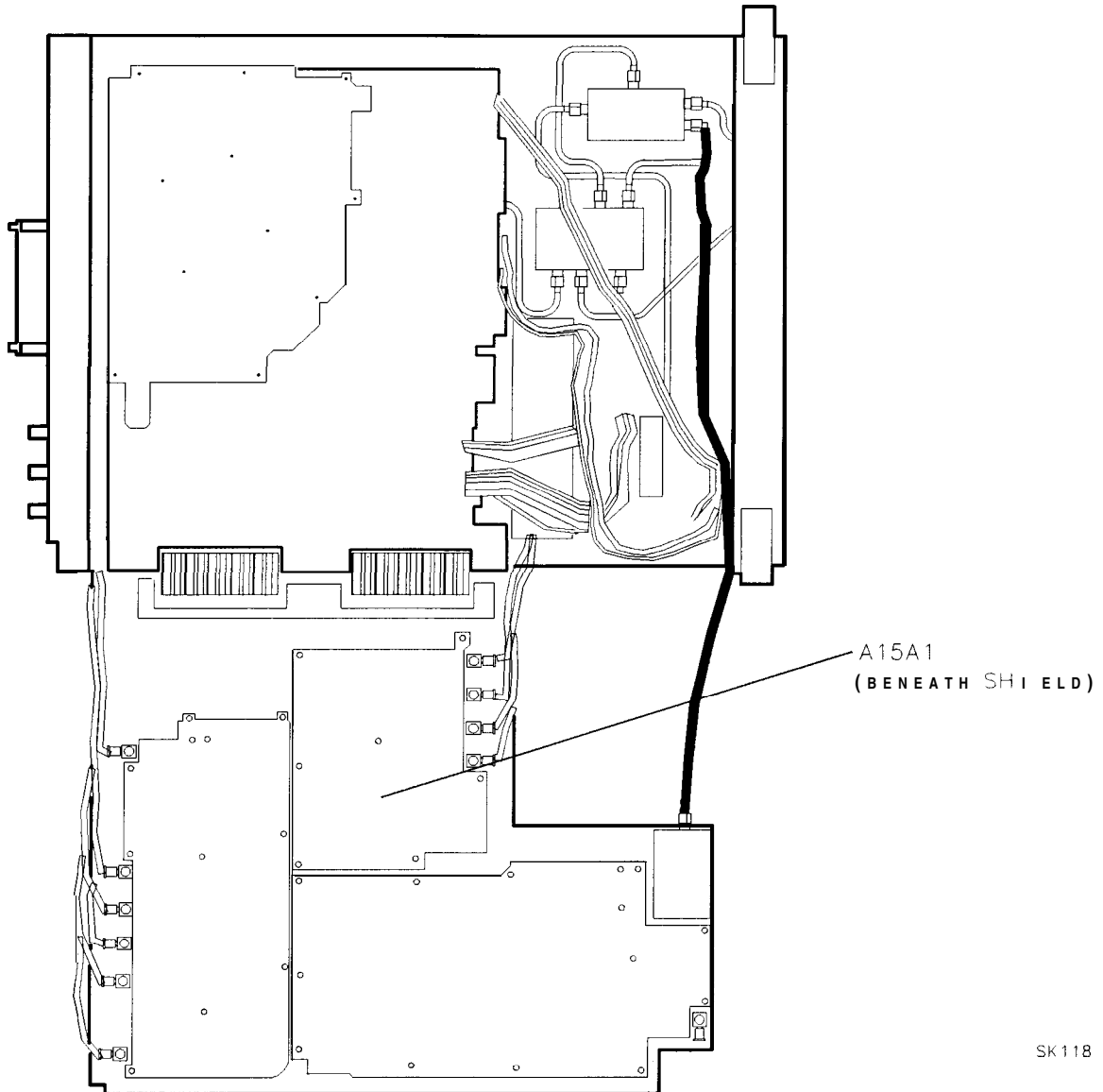
1. Set the HP 8560A **LINE** switch off, disconnect the power cord, and remove the analyzer cover. Fold down the A15 RF and A14 Frequency Control assemblies. Prop up the A14 Frequency Control assembly.
2. Remove the shield covering the third converter and A15A1 Second IF Amplifier. See Figure 2- 19.
3. Read the gain printed on the A15A1 Second IF Amplifier label. Select a value for A15U802 from Table 2-13 based upon the gain of the Second IF Amplifier.
4. Reinstall the shield on the A15 assembly.
5. Perform the External Mixer Amplitude Adjustment.

---

**Note** If the second IF input switch is repaired, there might be insufficient range in the External Mixer Amplitude Adjustment. If this is the case, select a new value for A15U802. Greater attenuation values of U802 will lower the signal amplitude, and lower attenuation values will increase the signal amplitude.

---

16. Second IF Gain Adjustment



SK 118

Figure 2-19. Location of A15A1

## 16. Second IF Gain Adjustment

**Table 2-13. A15U802 Values**

Second IF Amplifier Gain Range (dB)	U802 Value (dB)	Second IFA Pad Part Number
13.1 to 14.2	1	0955-0308
14.3 to 15.2	2	0955-0309
15.3 to 16.2	3	0955-0310
16.3 to 17.2	4	0955-0311
17.3 to 18.2	5	0955-0312
18.3 to 19.2	6	0955-0313
19.3 to 20.2	7	0955-0314



## 17. Signal ID Oscillator Adjustment

### Assembly Adjusted

A15 RF Assembly

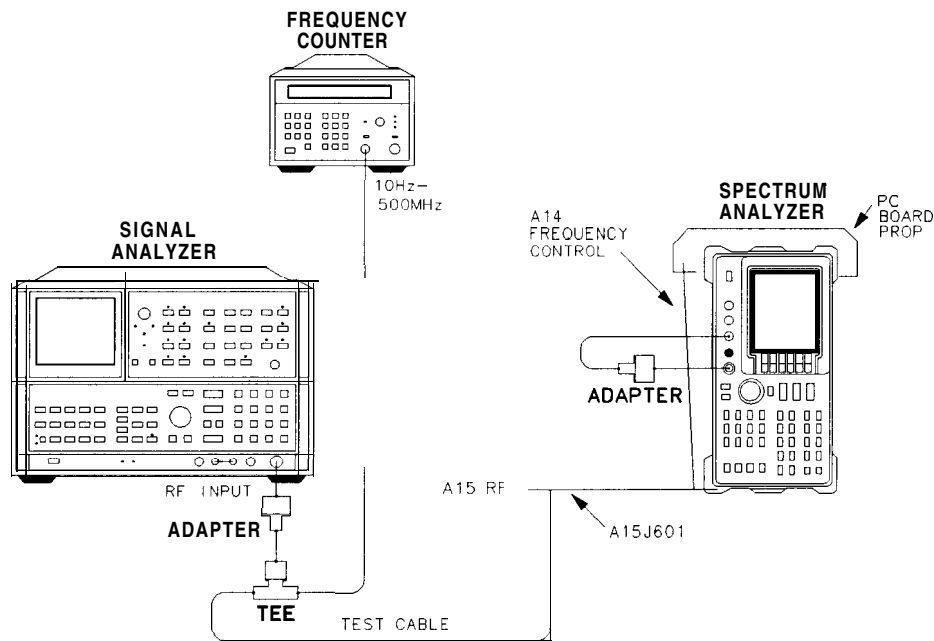
### Related Performance Test

There is no related performance test for this adjustment procedure.

### Description

The frequency range of the 298 MHz Signal ID Oscillator is determined by counting the 10.7 MHz IF as A15C629 is rotated through its range of adjustment. The Signal ID Oscillator is then set to the frequency determined by the following equation:

$$\text{Oscillator frequency} = 298 \text{ MHz} - \left( \frac{\text{Oscillator frequency range}}{4} \right)$$



SK119

Figure 2-20. Signal ID Oscillator Adjustment Setup

### Equipment

Microwave Frequency Counter ..... HP 5343A  
 Spectrum Analyzer ..... HP 8566A/B

#### Adapters

Type N (m) to BNC (f) (2 required) .....1250-1476  
 BNC Tee (f, m, f) .....1250-0781

## 17. Signal ID Oscillator Adjustment

### Cables

BNC, 122 cm (48 in) (2 required) . . . . .	HP 10503A
Test Cable, BNC (m) to SMB (f) . . . . .	85680-60093

### Procedure

1. Set the HP 8560A **LINE** switch off, disconnect the power cord, and remove the analyzer cover. Fold down the A15 RF and A14 Frequency Control assemblies. Prop up the A14 Frequency Control assembly.
2. Connect the HP 8560A CAL OUTPUT to the INPUT 50Ω using an adapter. Disconnect the W29 cable from A15J601 (10.7 MHz IF out) and connect the SMB end of the test cable to A15J601. Connect the rest of the equipment as shown in Figure 2-20.
3. Reconnect the power cord and set the **LINE** switch on. After the power-on sequence is complete, set the HP 8560A controls as follows:

CENTERFREQ . . . . . 300 MHz  
SPAN . . . . . 0 Hz

4. Press **AUX CTRL**. INTERNAL MIXER SIG ID ON SGL SWP.
5. Press **INSTR PRESET** on the HP 8566A/B and set the controls as follows:

CENTER FREQUENCY . . . . . 10.7 MHz  
FREQUENCY SPAN . . . . . 200 kHz

6. Set the HP 5343A controls as follows:

SAMPLE RATE . . . . . Fully Counterclockwise  
50 Ω—1 MΩ SWITCH . . . . . 50 Ω  
10 Hz-500 MHz/500 MHz-26.5 GHz SWITCH . . . . . 10 Hz-500 MHz

7. If no signal is displayed on the HP 8566A/B, adjust A15C629 SIG ID until a signal is displayed.

---

**Note** If the 298 MHz SIG ID oscillator is severely mistuned, it might be necessary to widen the span on the HP 8566A/B to see the shifted sweep.

---

8. Rotate A15C629 SIG ID slightly while observing the HP 8566A/B display. If the displayed signal frequency does not change, press SGL SWP on the HP 8560A.

## 17. Signal ID Oscillator Adjustment

9. While observing the HP 8566A/B display, adjust A15C629 SIG ID for the highest obtainable frequency with less than 3 dB decrease in amplitude from maximum. Read this frequency from the frequency counter and record as  $F_{3 \text{ dB HIGH}}$ .

$$F_{3 \text{ dB HIGH}} = \text{_____Hz}$$

10. Observe the HP 8566A/B display as you adjust A15C629 SIG ID for the lowest obtainable frequency with less than 3 dB decrease in amplitude from maximum. Record the frequency counter reading as  $F_{3 \text{ dB LOW}}$ .

$$F_{3 \text{ dB LOW}} = \text{_____MHz}$$

11. Calculate the difference between  $F_{3 \text{ dB HIGH}}$  and  $F_{3 \text{ dB LOW}}$ , then divide results by four. Enter the result as  $F_{\text{OFFSET}}$ .

$$F_{\text{OFFSET}} = \text{_____kHz}$$

12. Add  $F_{\text{OFFSET}}$  to  $F_{3 \text{ dB LOW}}$  recorded in step 10 and record the result as  $F_{\text{SIGID}}$ .

$$F_{\text{SIGID}} = \text{_____MHz}$$

13. Adjust A15C629 for a frequency counter reading equaling  $F_{\text{SIGID}}$ . The final adjusted frequency must equal 10.7 MHz  $\pm$ 50 kHz.

---

## 18. 600 MHz Amplitude Adjustment

### Assembly Adjusted

A15 RF Assembly

### Related Performance Test

There is no related performance test for this adjustment procedure.

### Description

The HP 8566 Spectrum Analyzer is used to monitor the CAL OUTPUT signal of the HP 8560A. Potentiometer R726 is then adjusted to minimize the displayed noise floor and thus ensure proper input power to the ECL divide-by-two chip.

### Equipment

Spectrum Analyzer ..... HP 8566

Adapters

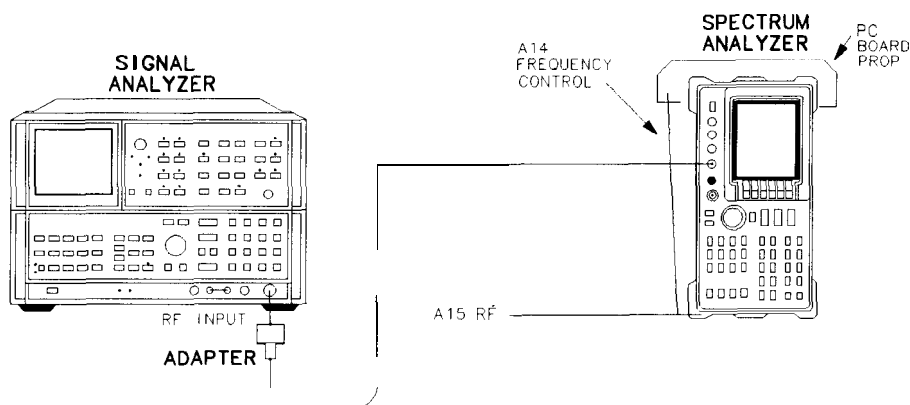
Type N (m) to BNC (f) ..... 1250-1476

Cables

BNC, 122 cm ..... HP 10503A

### Procedure

1. Set the HP 8560A (LINE) switch off, disconnect the power cord, and remove the analyzer's cover. Fold down the A15 RF and A14 Frequency Control assemblies. Prop up the A14 Frequency Control Assembly.
2. Connect the equipment as shown in Figure 2-21.



SJ13

Figure 2-21. 600 MHz Amplitude Adjustment Setup

3. Reconnect the power cord and set the (LINE) switch on.

## 18. 600 MHz Amplitude Adjustment

4. Press **INSTR PRESET** on the HP 8566 and set the controls as follows:

START FREQ	.....	10 MHz
STOP FREQ	.....	310 MHz
RES BW	.....	3 MHz
VIDEO BW	.....	1 MHz
REFERENCE LEVEL	.....	-10 dBm
ATTEN	.....	0 dB

5. While observing the HP 8566 display, adjust A15R726 600 MHz AMPLITUDE to minimize the noise floor.

---

## 19. 10 MHz Reference Adjustment (Option 003)

### Assembly Adjusted

A21 OCXO Assembly

---

**Note** Replacement oscillators are factory adjusted after a complete warmup and after the specified aging rate has been achieved. Thus, readjustment should typically not be necessary after oscillator replacement and is generally not recommended.

---

### Related Performance Test

10 MHz Reference Accuracy (Option 003)

### Description

The frequency of the internal 10 MHz frequency reference is compared to a known frequency standard and adjusted for minimum frequency error. This procedure does not adjust the short-term stability or long-term stability of the A21 10 MHz Ovenized Crystal Oscillator (OCXO). Stability is determined by the characteristics of the particular oscillator and the environmental and warmup conditions to which it has been recently exposed. The spectrum analyzer must be on continuously for at least 24 hours immediately prior to oscillator adjustment to allow both the temperature and frequency of the oscillator to stabilize.

### Equipment

Frequency Counter	.....	HP 5334A/B
Frequency Standard	.....	HP 5061B Cesium Beam Standard (or any 10 MHz frequency standard with aging rate $< \pm 1 \times 10^{-10}$ per day)
Cable		
BNC, 122 cm (2 <i>required</i> )	.....	HP 10503A

### Procedure

---

**Note** The spectrum analyzer must be on continuously for at least 24 hours immediately prior to oscillator adjustment to allow both the temperature and frequency of the oscillator to stabilize. Failure to allow sufficient stabilization time could result in oscillator misadjustment.

---

## 19. 10 MHz Reference Adjustment (Option 003)

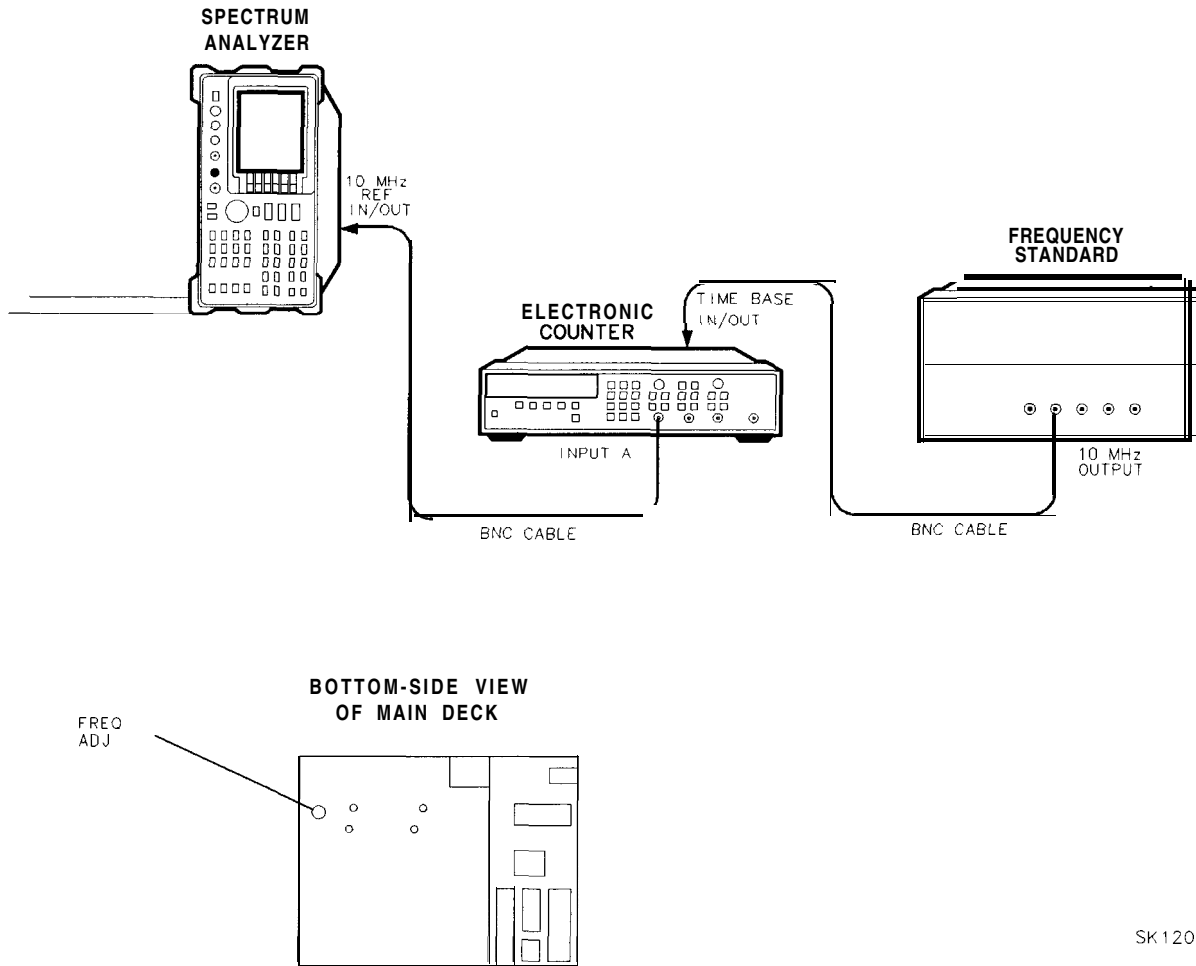


Figure 2-22. 10 MHz Reference Adjustment (Option 003)/Setup and Adjustment Location

1. Connect equipment as shown in Figure 2-22 as follows:
  - a. Set the (LINE) switch of the spectrum analyzer to on. After the automatic power-on adjustment sequence is complete, press **PRESET** to ensure that the frequency reference is set to internal.
  - b. Allow the spectrum analyzer to remain powered on continuously for at least 24 hours to ensure that both the temperature and frequency of the A21 OCXO can stabilize.
  - c. Connect the frequency standard to the frequency counter's rear panel TIMEBASE IN/OUT connector as shown in Figure 2-22.
  - d. Connect a BNC cable between the 10 MHz REF IN/OUT jack on the spectrum analyzer rear panel and INPUT A on the frequency counter.

## 19. 10 MHz Reference Adjustment (Option 003)

- Set the frequency counter controls as follows:

FUNCTION/DATA .....FREQ A  
INPUT .....A:  
X10 ATTN ..... OFF  
AC ..... OFF (DC coupled)  
50ΩZ ..... OFF (1 MΩ input impedance)  
AUTO TRIG ..... ON  
100 kHz FILTER A ..... OFF  
INT/EXT switch (rear panel) ..... EXT

- On the HP 5334A/B Frequency Counter, select a 1 second gate time by pressing **GATE TIME** **1** **GATE TIME**. Offset the displayed frequency by -10.0 MHz by pressing **MATH** **SELECT/ENTER** **CHX/EEX** **10** **CHS/EEX** **6** **SELECT/ENTER** **SELECT/ENTER**. The frequency counter should now display the difference between the frequency of the INPUT A signal and 10.0 MHz with a displayed resolution of 0.010 Hz (10 mHz).
- Locate the FREQ ADJ control on the HP 8560A. This control is accessible through the center deck of the spectrum analyzer. See Figure 2-22.
- Remove the dust cap screw.
- Use a nonconductive adjustment tool to adjust the FREQ ADJ control on the A21 OCXO for a frequency counter indication of 0.00 Hz.
- On the HP 5334A/B Frequency Counter, select a 10 second gate time by pressing **GATE TIME** **10** **GATE TIME**. The frequency counter should now display the difference between the frequency of the INPUT A signal and 10.0 MHz with a resolution of 0.001 Hz (1 mHz).
- Wait at least 2 gate periods for the frequency counter to stabilize, and then adjust the FREQ ADJ control on the A21 OCXO for a stable frequency counter indication of 0.000 ±0.010 Hz.
- Replace the dust cap screw on the A21 OCXO.



---

## 20. Tracking Oscillator Adjustment (Option 002)

---

**Note** This is not a routine adjustment. This adjustment should only be performed if the Tracking Adjustment Range performance test has failed.

---

### Assembly Adjusted

A10 Tracking Generator Assembly

### Related Performance Test

Tracking Adjustment Range

### Description

The centering of the tracking oscillator range is adjusted in the factory to ensure that the tracking adjustment functions properly. Over a period of 5 years, however, the center frequency of the tracking oscillator range may drift outside of acceptable limits. These limits are tested in the Tracking Adjustment Range performance test. This adjustment should only be performed if the Tracking Adjustment Range performance test has failed.

This adjustment recenters the tracking oscillator range. The A10 Tracking Generator is partially removed from the spectrum analyzer to perform this adjustment. A synthesized sweeper is used as the first local oscillator signal. A frequency counter is used to measure the output frequency.

### Equipment

Synthesized Sweeper .....	HP 8340A/B
Microwave Frequency Counter .....	HP 5343A
50R Termination .....	..1810-0118
Alignment Tool, Non-Metallic .....	8710-0033

#### Cables

SMA, 91 cm (36 in.) .....	5061-5458
BNC, 122 cm (48 in.) (3 required) .....	HP 10503A

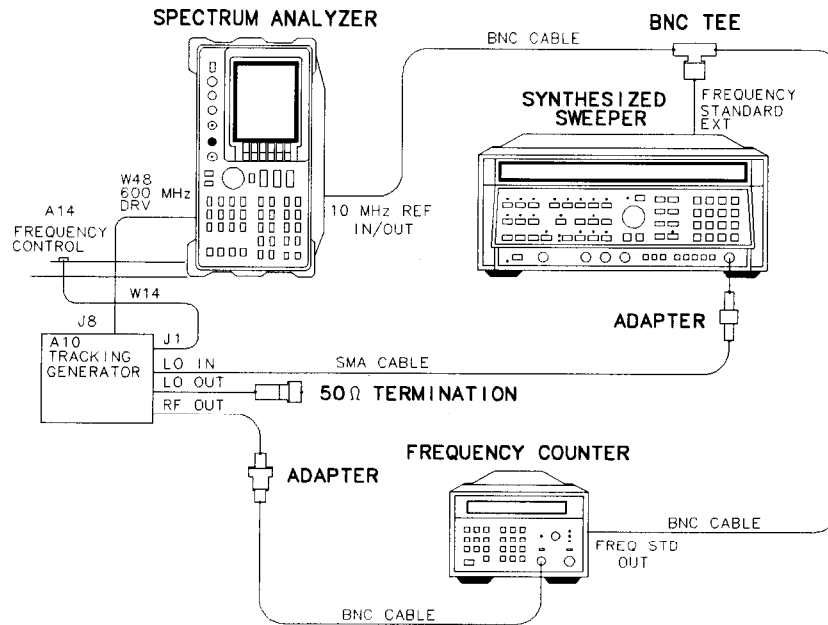
#### Adapters

APC 3.5 (f) to APC 3.5 (f) .....	5061-5311
SMA (m) to BNC (f) .....	1250-1200
BNC Tee .....	..1250-0781

## 20. Tracking Oscillator Adjustment (Option 002)

### Procedure

1. Remove the A10 Tracking Generator Assembly as described in Chapter 3. With the A10 Tracking Generator positioned next to the the HP 8560A, reconnect W14 (lo-wire ribbon cable) to A10J1. Reconnect W48 to A10J8. Connect the 50  $\Omega$  termination to A10J3.
2. Connect the equipment as shown in Figure 2-23. The frequency counter provides the frequency reference for the synthesized sweeper and the HP 8560A.



SJ14

**Figure 2-23. Tracking Oscillator Adjustment Setup**

3. Set the HP 8560A LINE switch on. Press **AUX CTRL**, **TRACKING GENERATOR**, **SRC PWR ON**, **AUX CTRL**, **REAR PANEL**, and **10 MHz EXT**. Allow the HP 8560A to warmup for at least five minutes. Set the controls as follows:

CENTERFREQ ..... 300 MHz  
SPAN ..... 0 Hz

4. Press **INSTR PRESET** on the synthesized sweeper and set the controls as follows:

CW ..... 4.2107 GHz  
POWERLEVEL ..... +12 dBm  
FREQUENCY STANDARD Switch (rear panel) ..... EXT

5. Set the frequency counter controls as follows:

SAMPLE RATE ..... Fully CCW  
10 Hz-500 MHz / 500 MHz-26.5 GHz Switch ..... 10 Hz-500 MHz  
50  $\Omega$  - 1 M $\Omega$  Switch ..... 50  $\Omega$

6. Remove the dust cap screw used to seal the tracking oscillator adjustment.

7. On the HP 8560A, press **AUX CTRL**, **TRACKING GENERATOR**, **MORE 1 OF 3**, **MAN TRK ADJ**, **0**, **Hz**. Rotate the knob counterclockwise until **FINE TRACK ADJ** is set to 0.

## 20. Tracking Oscillator Adjustment (Option 002)

8. Record the frequency counter reading in Table 2-14 as F1.
9. On the HP 8560A, press MAN TRK ADJ , 255, (Hz). Rotate the knob clockwise until the FINE TRACK ADJ is set to 255.
10. Record the frequency counter reading in Table 2-14 as F2.
11. Calculate  $F_{center}$  as shown below and record in Table 2-14.

$$F_{center} = (F1 + F2) / 2$$

12. Set COARSE TRACK ADJ to 25. This sets the tracking oscillator near the center of its frequency range (the relationship between the COARSE TRACK ADJ dac number and the output frequency is nonlinear). Adjust COARSE TRACK ADJ and FINE TRACK ADJ until the frequency counter reads  $F_{center} \pm 100$  Hz.
13. Record the values of COARSE TRACK ADJ and FINE TRACK ADJ in Table 2-14.
14. Adjust A10C3 TRK OSC CTR until the frequency counter reads 300 MHz  $\pm$  500 Hz.
15. Repeat steps 7 through 14 at least once more until no further adjustment of A10C3 TRK OSC CTR is necessary.
16. Set the HP 8560A LINE switch off. Replace the dust cap screw on A10. Disconnect all cables from A10.
17. Reinstall A10 in the HP 8560A.

**Table 2-14. Tracking Oscillator Range Centering**

N	F1 (MHz)	F2 (MHz)	F <sub>center</sub> (MHz)	TRACK ADJ DAC Settings	
				COARSE	FINE
1					
2					
3					
4					
5					

## Assembly Replacement

---

This chapter describes the removal and replacement of all major assemblies. The following replacement procedures are provided:

	Page
Access to Internal Assemblies .....	3- 2
Cable Color Code .....	3- 2
Procedure 1. Analyzer Cover .....	3- 3
Procedure 2. A1 Front Frame/A18 CRT .....	3-4
Procedure 3. A1A1 Keyboard/Front Panel Keys .....	3-11
Procedure 4. A1A2 RPG .....	3-12
Procedure 5. A2, A3, A4, and A5 Assemblies .....	3-13
Procedure 6. A6 Power Supply Assembly .....	3-19
Procedure 7. A6A1 High Voltage Assembly .....	3-22
Procedure 8. A7 through A13 Assemblies .....	3-25
A7 1st LO Distribution Amplifier .....	3-28
A8 Dual Band Mixer .....	3-2 9
A9 Input Attenuator .....	3-3 0
A10 Tracking Generator .....	3-3 1
A11 YTO .....	3-32
A13 Second Converter .....	3-3 3
Procedure 9. A14 and A15 Assemblies .....	3-34
Procedure 10. A17 CRT Driver .....	3-37
Procedure 11. B1 Fan .....	3-3 8
Procedure 12. BT1 Battery .....	3-3 9
Procedure 13. Rear Frame/Rear Dress Panel .....	3-40
Procedure 14. W3 Line Switch Cable .....	3-44
Procedure 15. EEROM (A2U501) .....	3-50
Procedure 16. A21 OCXO (Option 003) .....	3-51

Tools required to perform the procedures are listed in Table 3-1.

The words *right* and *left* are used throughout the replacement procedures to indicate the side of the analyzer as viewed from the front panel.

Numbers in parentheses are used throughout the replacement procedures to indicate numerical callouts on the figures.

---

**Caution**      The spectrum analyzer contains static-sensitive components. Read the section entitled “Electrostatic Discharge” in Chapter 1.

---

---

## Access to Internal Assemblies

Servicing the HP 8560A requires the removal of the spectrum analyzer's cover assembly and the folding down of six board assemblies. Four of these assemblies lay flat along the top of the analyzer and two lay flat along the bottom of the analyzer. All six assemblies are attached to the analyzer's right side frame using hinges and fold out of the analyzer allowing access to all major assemblies. See Figure 3-1.

- To remove the analyzer's cover assembly, refer to Procedure 1.
- To access the A2, A3, A4, and A5 assemblies, refer to Procedure 5.
- To access the A14 and A15 assemblies, refer to Procedure 9.

---

## Cable Color Code

Coaxial cables and wires will be identified in the procedures by reference designation, or name, followed by a color code. The code is identical to the resistor color code. The first number indicates the base color with second and third numbers indicating any colored stripes. For example, W23, coax 93, indicates a white cable with an orange stripe.

**Table 3-1. Required Tools**

Description	HP Part Number
5/16-inch open-end wrench	8720-0015
3 mm hex (Allen) wrench	8710-1366
4 mm hex (Allen) wrench	8710-1164
No. 6 hex (Allen) wrench	5020-0289
7 mm nut driver	8710-1217
3/8-inch nut driver	8720-0005
7/16-inch nut driver	8720-0006
9/16-inch nut driver (drilled out, end covered with heatshrink tubing)	8720-0008
Small No.1 pozidrive screwdriver	8710-0899
Large No.2 pozidrive screwdriver	8710-0900
T-6 TORX screwdriver	8710-1618
T-8 TORX screwdriver	8710-1614
T-10 TORX screwdriver	8710-1623
Long-nose pliers	8710-0030
Wire cutters	8710-0012

---

## Procedure 1. Analyzer Cover

### Removal/Replacement

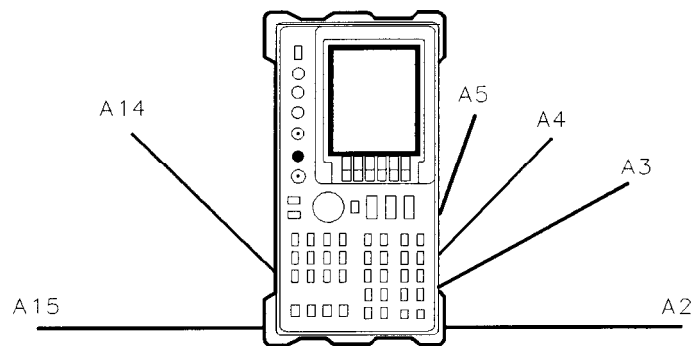
1. Disconnect the line-power cord, and place the analyzer on its front panel.
2. Loosen (but do not remove) the four rear-bumper screws, using a 4 mm hex wrench. Pull the cover assembly off towards the rear of the instrument.

---

**Caution** When replacing the analyzer's cover, use caution to avoid damaging any cables.

---

3. When installing the cover assembly, be sure to locate the cover's air vent holes on the bottom side of the analyzer. Attach with the four screws loosened in step 2, and tighten the four screws gradually to ensure that the cover is seated in the front-frame gasket groove.
4. Torque each screw to 40 to 50 inch-pounds to ensure proper EM1 gasket compression.



SK122

Figure 3-1. Hinged Assemblies

---

## Procedure 2. A1 Front Frame/A18 CRT

### Removal

---

**Warning**      **The voltage potential at A6A1W3 is +9 kV. Disconnect at the CRT with caution! Failure to properly discharge A6A1W3 may result in severe electrical *shock* to personnel and damage to the instrument.**

---

1. Remove the analyzer's cover assembly as described in Procedure 1, "Analyzer Cover."
2. Fold out the A2, A3, A4, and A5 assemblies as described in Procedure 5, "A2, A3, A4, and A5 Assemblies Removal," steps 2 through 6.
3. Disconnect A1A1W1 from A3J602.
4. Place the analyzer top-side-up on the work bench.
5. Connect the analyzer's line-power cord to provide proper grounding while discharging the A6A1W3 post-accelerator cable. Make sure that the analyzer's line-power switch is in the off position.
6. Connect a high-voltage probe (1000:1), such as the HP 34111A to a voltmeter with a 10 megohm input.
7. Connect the clip lead of the probe (ground) to the chassis of the spectrum analyzer.
8. Slip the tip of the high-voltage probe under the A6A1W3 post-accelerator cable's rubber shroud to obtain a reading on the voltmeter. See Figure 3-2.
9. Keep the high-voltage probe on the post-accelerator connector until the voltage has dropped to a voltmeter reading of less than 5 mV (less than 5 V at the connector). This normally takes about 30 seconds.
10. Disconnect the line-power cord from the spectrum analyzer.
11. Using a small screwdriver with the shank in contact with the CRT shield assembly, slip the tip of the screwdriver under the A6A1W3 post-accelerator cable's rubber shroud and short the cable to ground on the CRT shield assembly. See Figure 3-2.
12. Pry out the black grommet protecting post-accelerator cable A6A1W3 from the CRT shield assembly.
13. Carefully unsnap the A6A1W3 post-accelerator cable from the CRT and discharge it by shorting the cable to chassis ground on the CRT shield assembly.
14. Place the analyzer on its right side frame with the front-frame assembly hanging over the front edge of the work bench.
15. Fold out the A14 and A15 assemblies as described in Procedure 9, "A14 and A15 Assemblies Removal," steps 3 and 4.

---

**Warning**      The voltage potential at A6A1W3 is +9 kV. Failure to discharge A6A1W3 correctly may result in *severe electrical shock* to personnel and damage to the instrument.

---

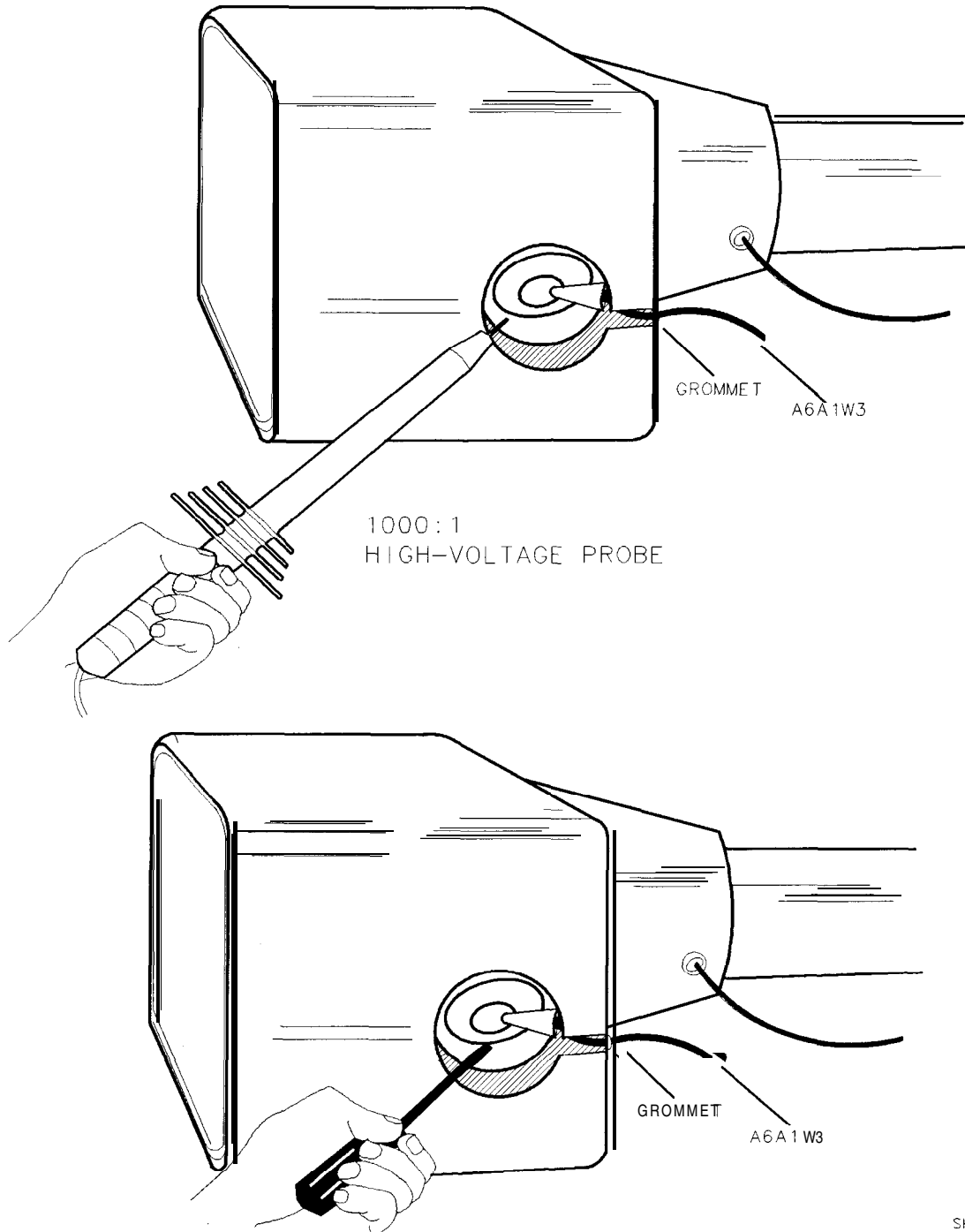
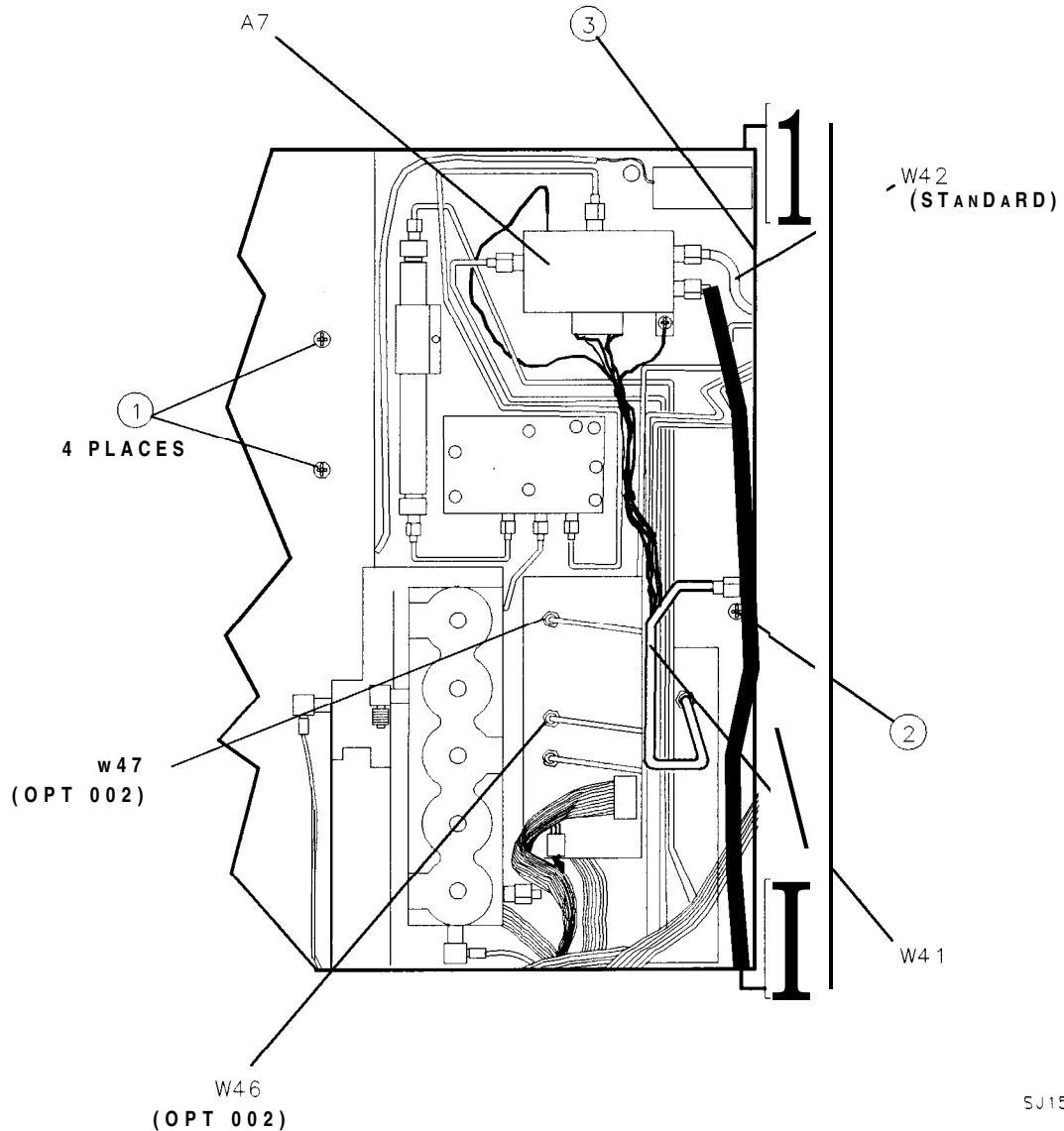


Figure 3-2. Discharging the Post-Accelerator Cable

SK123



## Procedure 2. AI Front Frame/AI8 CRT



**Figure 3-3. A9, A18, and Line-Switch Assembly Mounting Screws**

16. Remove screw (2) securing the A9 Input Attenuator Assembly to the center support on the front frame. See Figure 3-3.
17. Use a 5/16-inch open-end wrench to disconnect W41 from the front-panel INPUT 50Ω connector. Loosen the opposite end of W41.
18. *For Option 002 analyzers:* use a 5/16-inch open-end wrench to disconnect W47 from the front-panel RF OUT 50Ω connector.
19. Disconnect W42 from A7J3 and the front-panel 1ST LO OUTPUT connector. *For Option 002 analyzers:* disconnect W46 from the front-panel 1ST LO OUTPUT connector.
20. Disconnect W36, coax 86, from the front-panel IF INPUT connector.
21. Remove the VOLUME knob and potentiometer from the front panel. If necessary, drill out the nut driver used to remove the VOLUME potentiometer and cover the tip with heatshrink tubing or tape to avoid scratching the enameled front panel.

### 3-6 Assembly Replacement

## Procedure 2. AI Front Frame/AI8 CRT

22. Use a 9/16-inch nut driver to remove the dress nut holding the front-panel CAL OUTPUT connector to the front panel. If necessary, drill out the nut driver to fit over the BNC connectors and cover the tip with heatshrink tubing or tape to avoid scratching the enameled front panel.
23. Remove screw (3) securing the line-switch assembly to the front frame. See Figure 3-3.
24. Gently remove the line-switch assembly, using caution to avoid damaging A1W1 and power indicator LED A1WIDS1.
25. Remove A1W1 and A1WIDS1 from the line-power switch assembly.
26. Remove the three screws (1) securing the front-frame assembly to the analyzer's right side frame. See Figure 3-4.

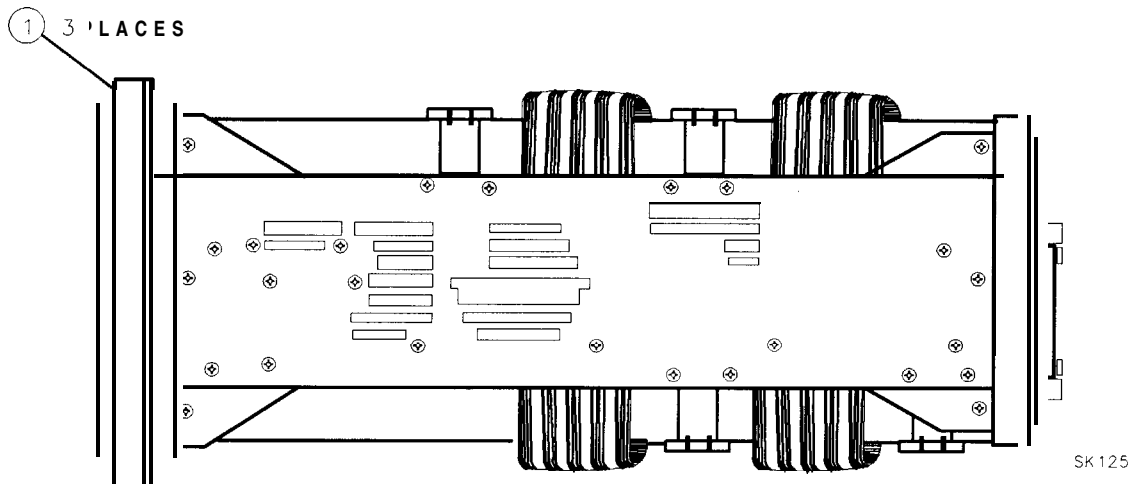


Figure 3-4. Front-Frame Mounting Screws

27. Remove the three screws securing the front-frame assembly to the analyzer's left side frame.
28. Remove the four screws (1) (Figure 3-3) securing the CRT clamps to the deck.
29. Pull the cable tie (1) to free W9. See Figure 3-5. Gently pry W9, the CRT cable, from the end of the CRT assembly.
30. Support the AI8 CRT assembly while gently pulling the front frame and CRT out of the analyzer one or two inches.
31. Disconnect A18W1, the trace align wires, from A17J5. Remove the front-frame and CRT assemblies.
32. Gently pull the CRT assembly off of the front-frame assembly.

## Procedure 2. AI Front Frame/AI8 CRT

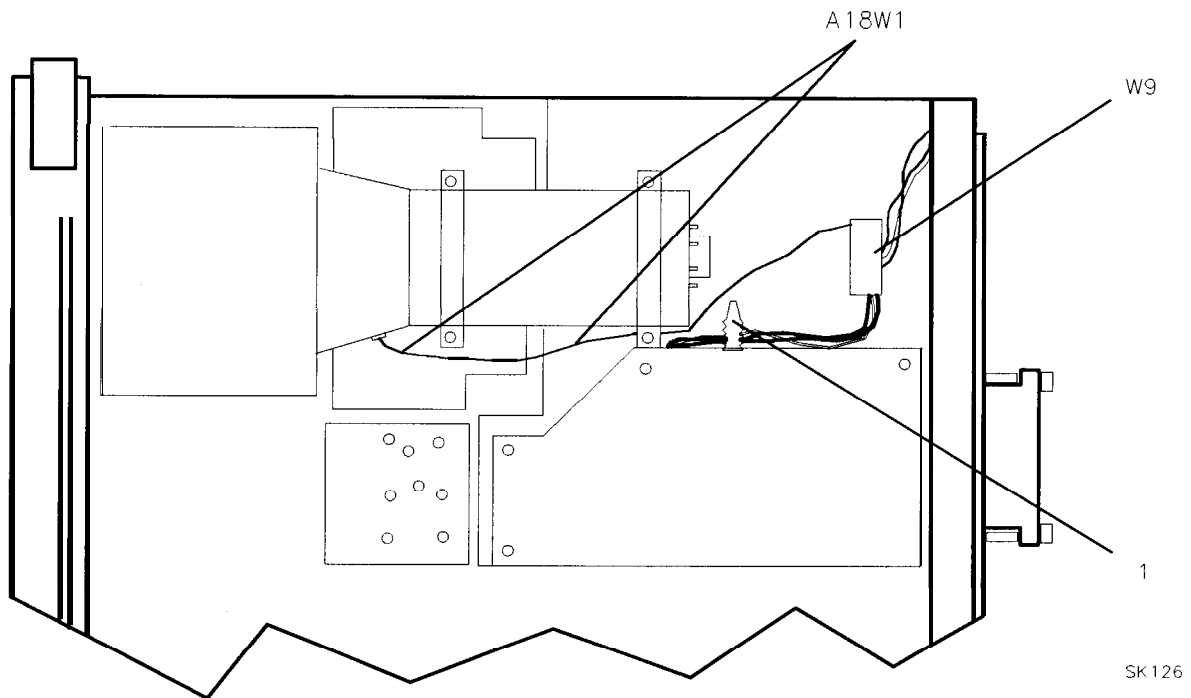


Figure 3-5. Installing the CRT and Front-Frame Assemblies

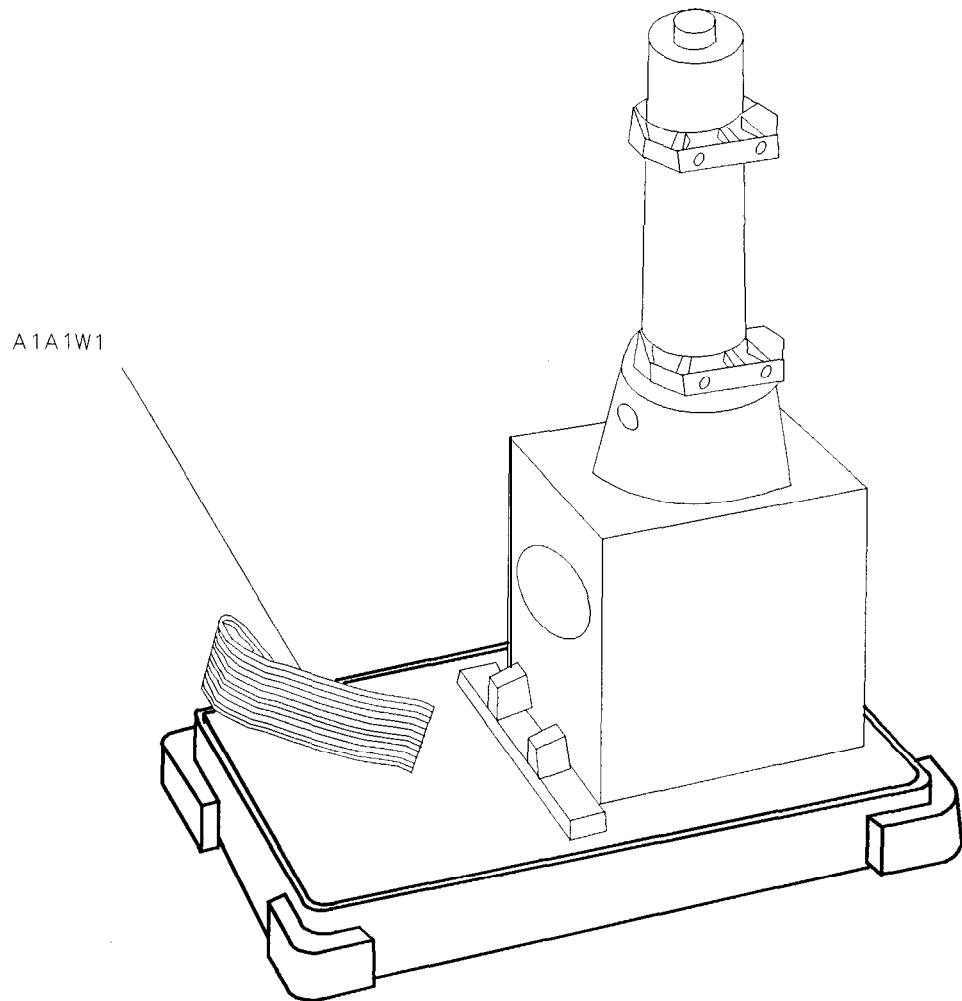
### Replacement

#### Note

Use care when handling the glass CRT EM1 shield. The glass may be cleaned using thin-film cleaner (HP part number 8500-2163) and a lint-free cloth. When installing the glass shield, face the side of the glass with the silver coated edge towards the inside of the analyzer.

1. Place the analyzer on its right-side frame with the front end extending slightly over the front of the work bench.
2. Gently place the A18 CRT assembly into the AI Front-Frame assembly as illustrated in Figure 3-6.
3. Place the front-frame and CRT assemblies into the analyzer, using caution to avoid pinching any cables.
4. Dress the A18W1 trace-align wires between the CRT assembly mounts and the A6 Power Supply top shield.

## Procedure 2. AI Front Frame/AI8 CRT



SK127

**Figure 3-6. Placing the CRT into the Front Frame**

5. Connect A18W1 to A17J5.
6. Snap CRT cable W9 onto the end of the CRT assembly.
7. Fully seat the front frame and CRT assemblies into the analyzer.
8. Secure the front frame to the analyzer's side frames, using three flathead screws per side. See Figure 3-4.
9. Retighten the four screws securing the CRT clamps to the deck.
10. Place W9 between the CRT assembly and the A6 Power Supply assembly top shield so that the W9 wires are below the surface of the top shield.
11. Connect W42 to A7J3 and the front-panel 1ST LO OUTPUT connector. *For Option 002 analyzers:* connect W46 to the front-panel 1ST LO OUTPUT connector.
12. Use a 9/16-inch nut driver to reconnect CAL OUTPUT connector to the front panel.
13. Connect the VOLUME potentiometer and knob to the front panel.
14. *For Option 002 analyzers:* use a 5/16-inch open-end wrench to connect W47 to the front-panel RF OUT connector.

## Procedure 2. A1 Front Frame/A18 CRT

15. Connect W36, coax 86, to the front-panel IF INPUT connector.
16. Use a 5/16-inch wrench to connect W41 from the A9 Input Attenuator to the front-panel INPUT 50 $\Omega$  connector. Make sure that W40, W36, and A1W1 are routed between W41 and the attenuator bracket. Secure the A9 Input Attenuator bracket to the center support on the front frame using one panhead screw. See Figure 3-3 (2).
17. Place led A1W1DS1 into the line-power switch assembly.
18. Attach the line switch assembly into the front-frame using one panhead screw. Be sure to connect the line-power switch ground lug with the screw. The screw is captive.
19. Fold up the A14 and A15 assemblies as described in Procedure 9, "A14 and A15 Assemblies Replacement," steps 3 through 5.
20. Place the analyzer top-side-up on the work bench and connect A1A1W1 to A3J602.
21. Snap post-accelerator cable A6A1W3 to the A18 CRT assembly.
22. Snap the black grommet protecting the A6A1W3 into the CRT shield.
23. Fold up assemblies A2, A3, A4, and A5 as described in Procedure 5, "A2, A3, A4, and A5 Assemblies Replacement," steps 6 through 12.
24. Replace the analyzer's cover assembly.
25. Connect the line-power cord and switch the analyzer's power on. If the display does not operate properly, turn off analyzer power, disconnect the line cord, and recheck the analyzer.

## Procedure 3. A1A1 Keyboard/Front Panel Keys

### Removal

1. Remove the front frame from the analyzer as described in Procedure 2, “AI Front Frame/A18 CRT.”
2. Place the front frame face-down on the bench and remove the front-frame center support.
3. Disconnect A1W1 from A1A1J3 and the RPG cable from A1A1J2.
4. Remove the nine screws holding the A1A1 Keyboard assembly to the front frame and remove the assembly.
5. Remove the rubber keypad.

---

### Note

The front-panel softkey actuators are part of the CRT bezel assembly and are not replaceable. Should the softkeys become damaged, replace the bezel assembly.

---

### Replacement

1. Install the rubber keypad, ensuring that the screw holes are visible through the pad.
2. Place the A1A1 Keyboard assembly over the rubber keypad. Secure with nine panhead screws.
3. Connect the RPG cable to A1A1J2, and A1W1 to A1A1J3.
4. Secure the center support to the front frame using two panhead screws. The arrow stamped on the center support should point to the top of the frame.
5. Install the front-frame assembly as described in Procedure 2, “AI Front Frame/A18 CRT.”

---

## Procedure 4. A1A2 RPG

### Removal

1. Remove the A9 Input Attenuator as described in Procedure 8, “A7 through A13 Assemblies.”
2. Disconnect the RPG cable from the A1A1 Keyboard assembly.
3. Remove the front-panel RPG knob using a number 6 hex (Allen) wrench. Use a 7/16-inch nut driver to remove the nut holding the RPG shaft to the front panel.
4. Remove the RPG.

### Replacement

1. Place the RPG into the front frame with the cable facing the bottom of the analyzer. Place a lock washer and nut on the RPG shaft to hold it in the frame.
2. Use a 7/16-inch nut driver to secure the RPG assembly to the front frame.
3. Connect the RPG cable to A1A1J2.
4. Attach the RPG knob using a number 6 hex (Allen) wrench.
5. Replace the A9 Input Attenuator as described in Procedure 8, “A7 through A13 Assemblies.”

## Procedure 5. A2, A3, A4, and A5 Assemblies

### Removal

1. Remove the analyzer's cover.
2. Place the analyzer on its right side frame.
3. Remove the eight screws holding the A2, A3, A4, and A5 assemblies to the top of the analyzer. These screws are labeled (2), (3), and (4) in Figure 3-7. They are also labeled on the back of the A2 board assembly.
4. Remove ribbon cable W4 from A2J6. See Figure 3-7.

---

**Caution** Do not fold the board assemblies out of the analyzer one at a time. Always fold the A2 and A3 assemblies as a unit and the A4 and A5 assemblies as a unit. Folding out one assembly at a time binds the hinges attaching the assemblies and may damage an assembly and hinge.

---

5. The board assemblies are attached to the analyzer's right side frame with two hinges. Fold both the A2 and A3 assemblies out of the analyzer as a unit.
6. Fold both the A4 and A5 assemblies out of the analyzer as a unit.
7. Remove the cables from the assembly being removed, as illustrated in Figure 3-9.
8. Remove the two screws that attach the assembly being removed to its two mounting hinges.

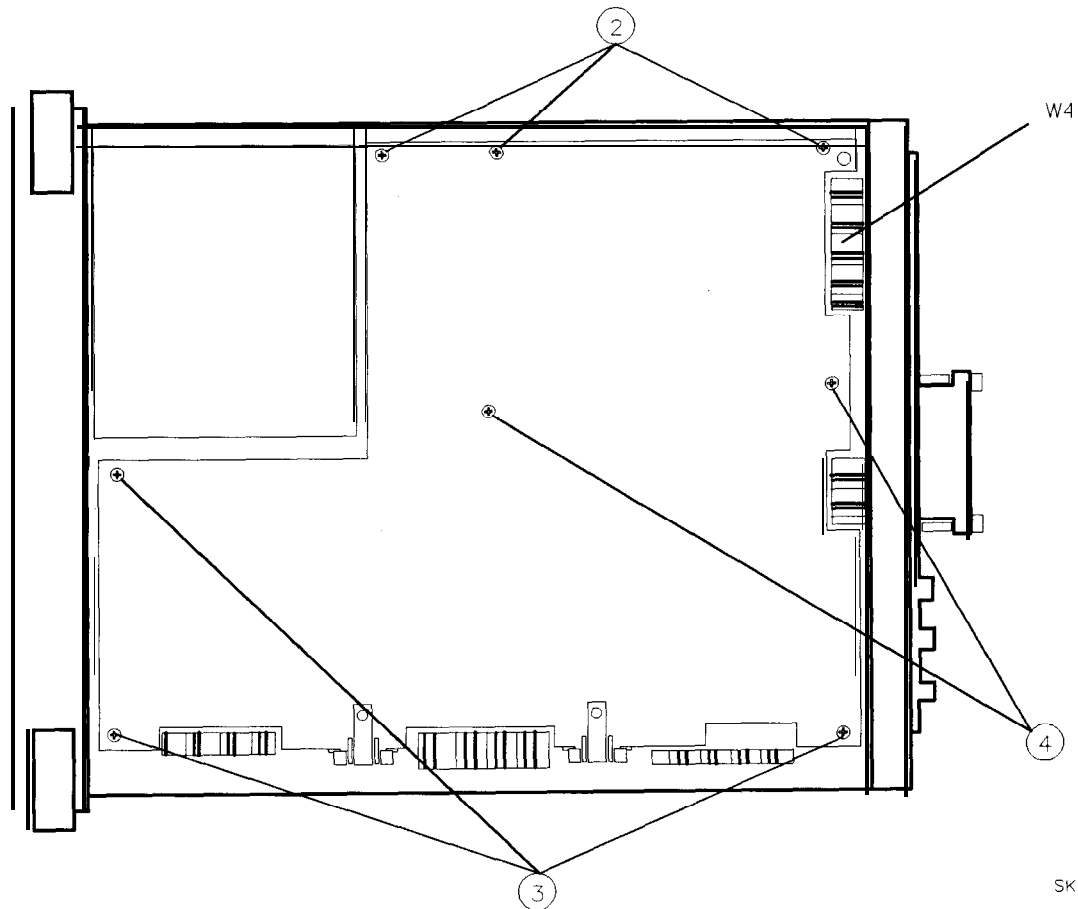
---

**Caution** Do not torque shield pozidrive screws to more than 5 inch-pounds. Applying excessive torque will cause the screws to stretch.

---



## Procedure 5. A2, A3, A4, and A5 Assemblies



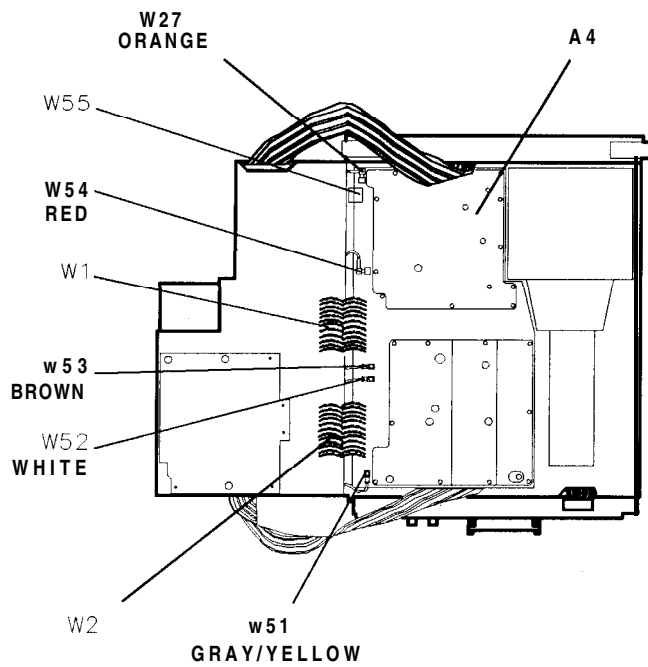
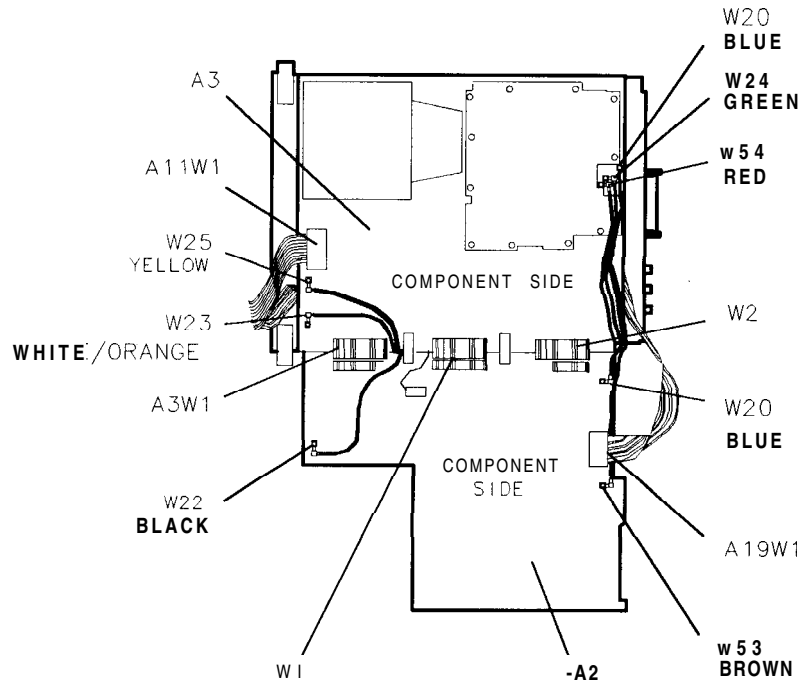
SK129

Figure 3-7. A2, A3, A4, and A5 Assembly Removal

### Replacement

1. Place the analyzer top-side-up on the work bench.
2. Attach the assembly being installed to the two chassis hinges with two panhead screws.
3. Leave the assembly in the folded-out position and attach ribbon cables W1 and W2.
4. Attach all coaxial cables to the assembly, as illustrated in Figure 3-9.
5. Locate the cable clip on the inside of the right-side frame. Make sure that the coaxial cables are routed properly on the clip as illustrated in Figure 3-9.
6. Lay the A2, A3, A4, and A5 assemblies flat against each other in the folded-out position. Make sure that no cables become pinched between any two assemblies.

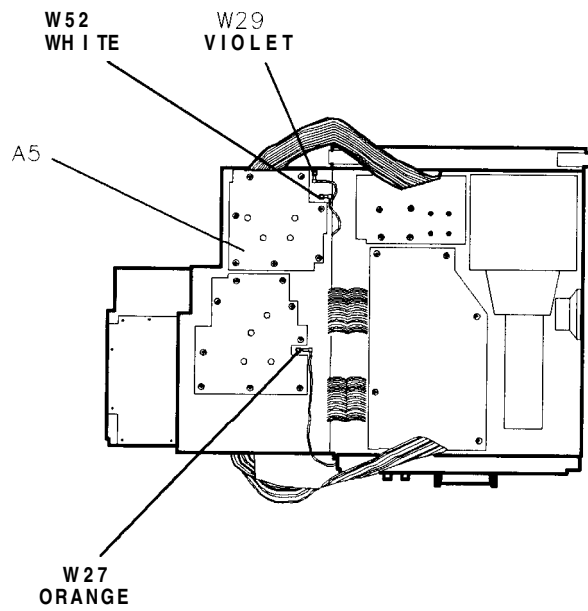
**Procedure 5. A2, A3, A4, and A5 Assemblies**



SK130

**Figure 3-8. Assembly Cables (1 of 2)**

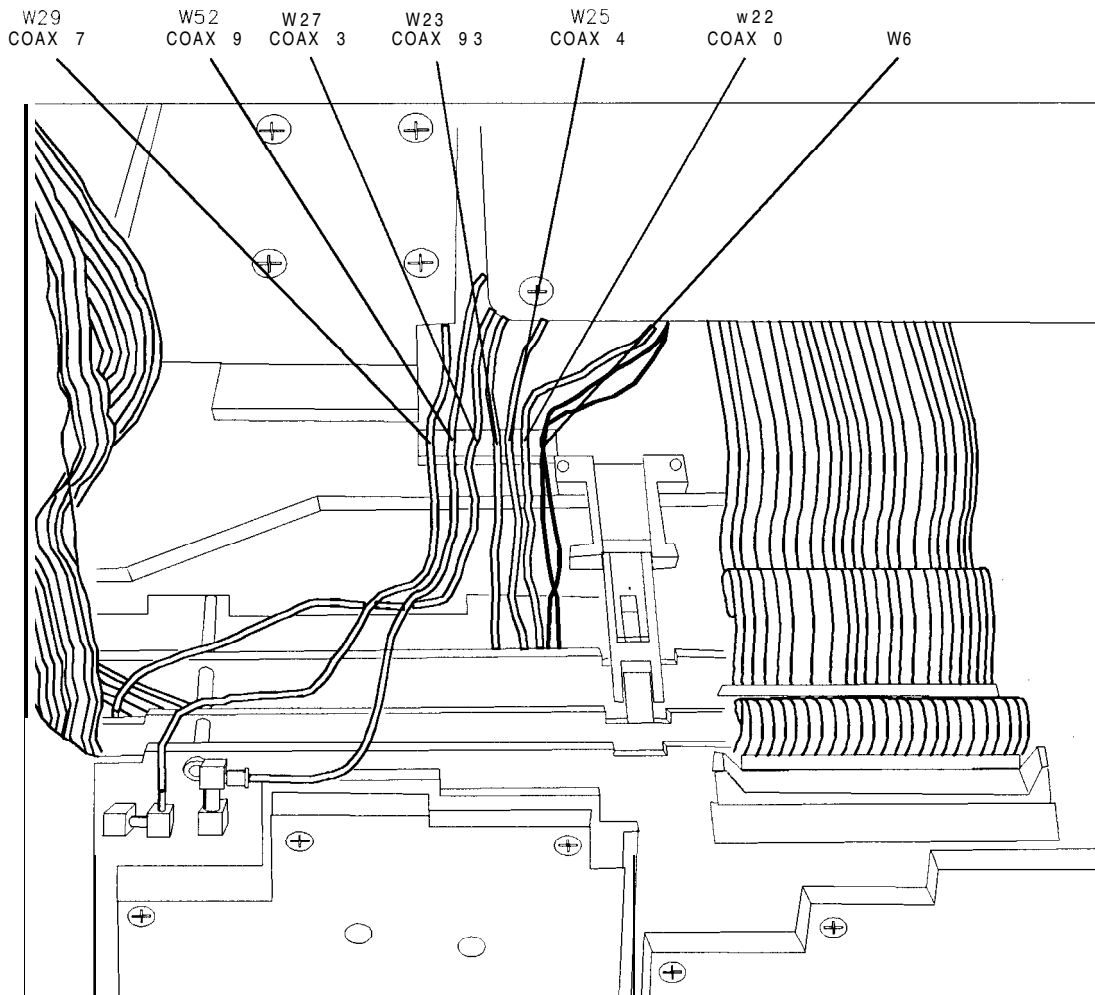
**Procedure 5. A2, A3, A4, and A5 Assemblies**



SK131

**Figure 3-8. Assembly Cables (2 of 2)**

## Procedure 5. A2, A3, A4, and A5 Assemblies

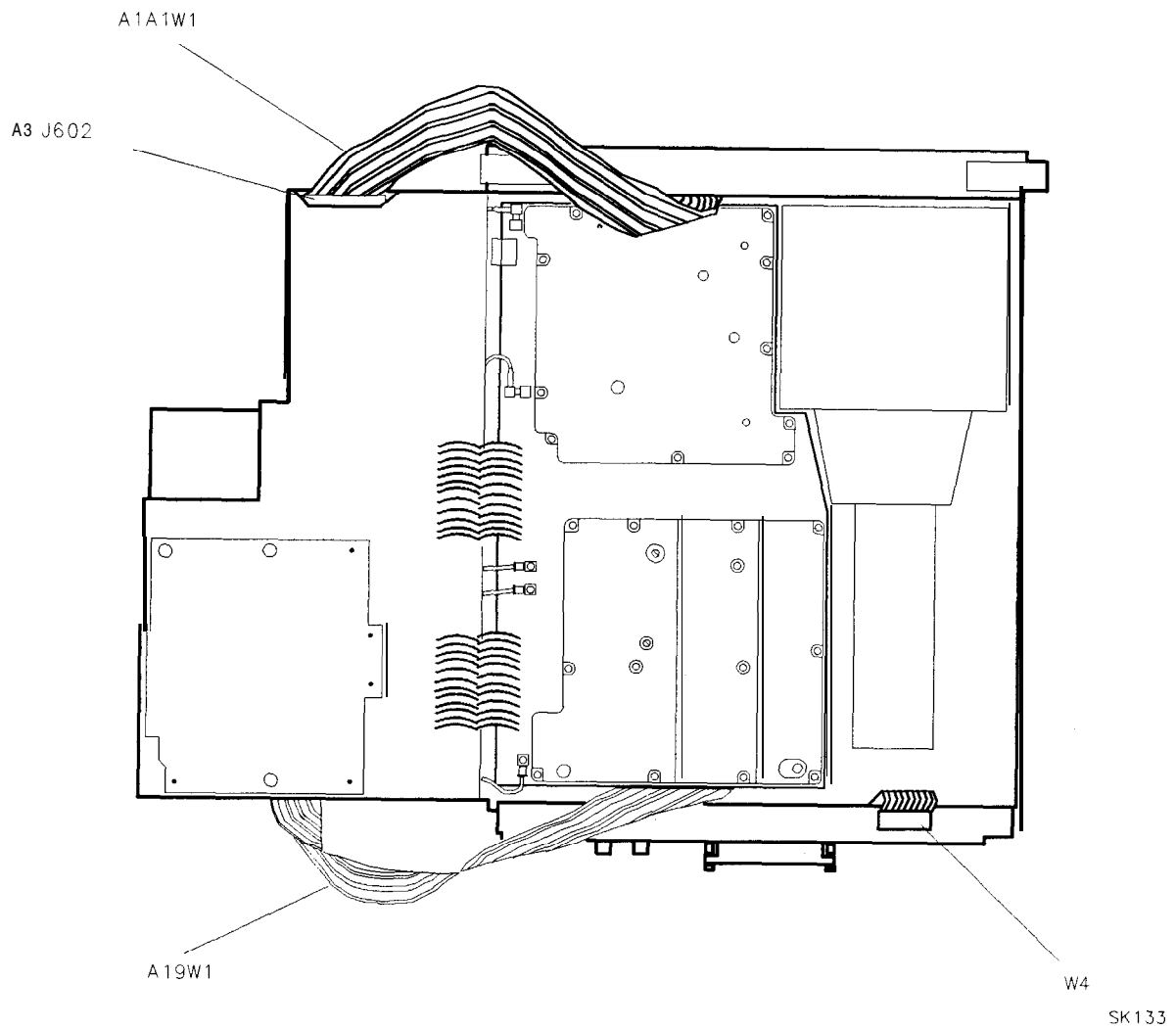


SK132

**Figure 3-9. Coaxial Cable Clip**

7. Check to ensure that no cables will become pinched under the hinges when folding up the A4 and A5 assemblies.
8. Fold the A4 and A5 assemblies together as a unit into the analyzer. Use caution to avoid damaging any cable assemblies. The standoffs on the A5 assembly must fit into the cups on the A6 power supply top shield.
9. Fold the A2 and A3 assemblies together as a unit into the analyzer. Be sure to fold HP-IB cable A19W1 between the A3 and A4 assemblies, using the two sets of hook and loop (velcro) fasteners.
10. Fold ribbon cable A1A1W1 between A3 and A4 assemblies. Take care to dress the protective tubing as close to A3J602 connector as possible, so that the tubing does not fold with the cable. See Figure 3-10.
11. Attach ribbon cable W4 to A2J6 while folding up the assemblies. See Figure 3-7.
12. Secure the assemblies using the eight screws removed in "Removal" step 3. Place a flat washer on each screw.

**Procedure 5. A2, A3, A4, and A5 Assemblies**



**Figure 3-10. HP-IB and A1A1 W1 Cable Placement**

---

## Procedure 6. A6 Power Supply Assembly

### Removal

---

**Warning**      **The A6 Power Supply and A6A1 High Voltage assemblies contain lethal voltages with lethal currents in all areas. Use extreme care when servicing these assemblies. Always disconnect the power cord from the instrument before beginning this replacement procedure. Failure to follow this precaution will represent a shock hazard which may result in personal injury.**

---

1. Disconnect the power cord from the analyzer.
2. Remove the analyzer's cover assembly. Refer to Procedure 1, "Analyzer Cover."
3. Fold out the A2, A3, A4, and A5 assemblies as described in Procedure 5, "A2, A3, A4, and A5 Assemblies Removal," steps 2 through 6.
4. Place the analyzer top-side-up on the work bench with A2, A3, A4, and A5 folded out to the right.

---

**Warning**      **The voltage potential at A6A1W3 is +9 kV. Disconnect at the CRT with caution! Failure to properly discharge A6A1W3 may result in *severe electrical shock* to personnel and damage to the instrument.**

---

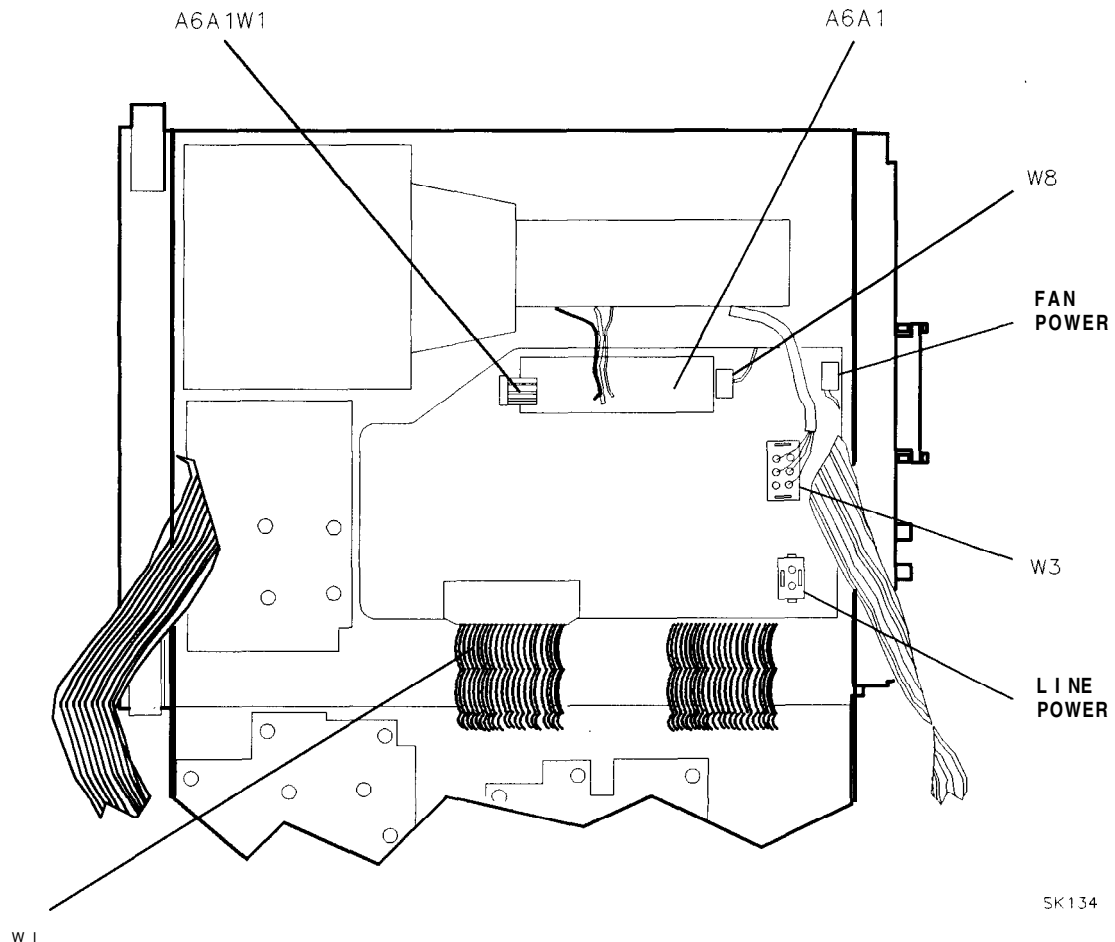
5. Connect the analyzer's line-power cord to provide proper grounding while discharging the A6A1W3 post-accelerator cable. Make sure that the analyzer's line-power switch is in the off position.
6. Connect a high-voltage probe (1000:1), such as the HP 34111A to a voltmeter with a 10 megohm input.
7. Connect the clip lead of the probe (ground) to the chassis of the spectrum analyzer.
8. Slip the tip of the high-voltage probe under the A6A1W3 post-accelerator cable's rubber shroud to obtain a reading on the voltmeter. See Figure 3-2.
9. Keep the high-voltage probe on the post-accelerator connector until the voltage has dropped to a voltmeter reading of less than 5 mV (less than 5 V at the connector). This normally takes about 30 seconds.
10. Disconnect the line-power cord from the spectrum analyzer.
11. Using a small screwdriver with the shank in contact with the CRT shield assembly, slip the tip of the screwdriver under the A6A1W3 post-accelerator cable's rubber shroud and short the cable to ground on the CRT shield assembly. See Figure 3-2.
12. Remove the three screws securing the power supply shield to the power supply and remove the shield.
13. Remove the three screws and washers securing the A6A1 High Voltage assembly to the A6 Power Supply assembly.
14. Disconnect ribbon cable A6A1W1 from A6J5 and lift the A6A1 assembly out of the way. See Figure 3- 11.
15. Disconnect all cables from the A6 Power Supply assembly. See Figure 3-11.

## Procedure 6. A6 Power Supply Assembly

16. Use a screwdriver to remove three standoffs from the A6 Power Supply assembly.
17. Remove the A6 Power Supply assembly by lifting from the regulator heatsink toward front of analyzer.

## Replacement

1. Attach the A6 Power Supply assembly to the analyzer's chassis using the three standoff screws.
2. Connect W1 to A6J1, W3 to A6J2, fan power wires to A6J3, W8 to A6J4, and the line-power jack to A6J101. See Figure 3-11.
3. Secure the A6A1 High Voltage assembly to the A6 Power Supply assembly, using three panhead screws and washers. Connect ribbon cable A6A1W1 to A6J5.
4. Snap post-accelerator cable A6A1W3 to the CRT assembly.

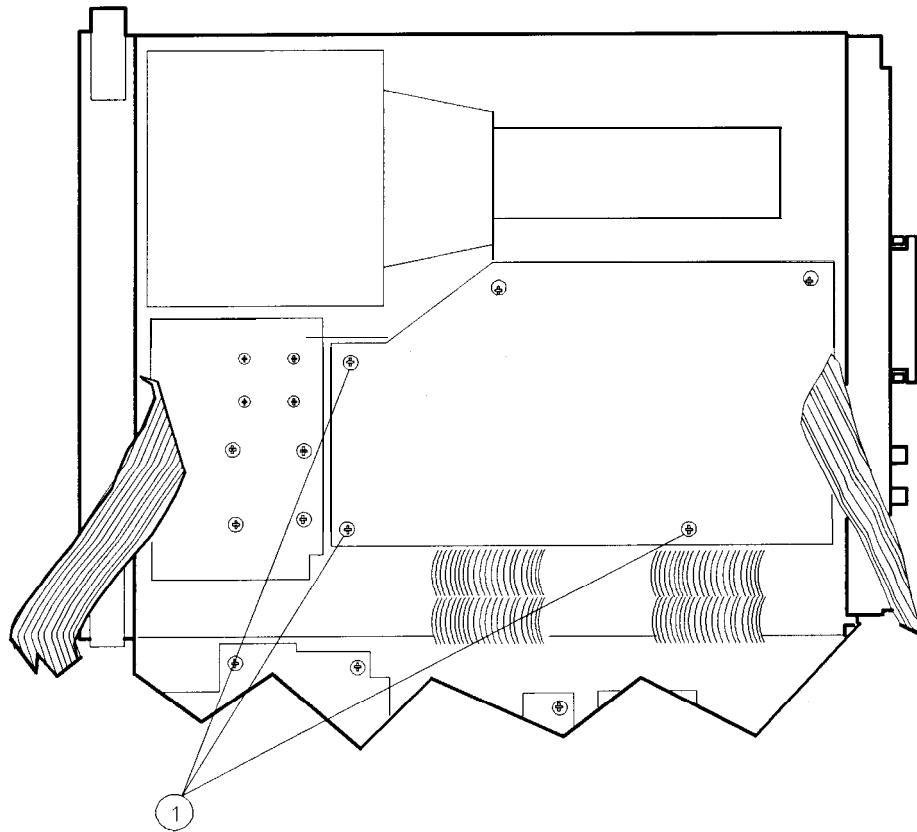


**Figure 3-11. A6 Power Supply Connections**

5. Ensure that all cables are safely routed and will not be damaged when securing the A6 cover.
6. Secure the power supply cover shield to the power supply using three flathead screws (1). See Figure 3-12. One end of the cover fits into a slot provided in the rear frame assembly.

## Procedure 6. A6 Power Supply Assembly

7. Fold the A2, A3, A4, and A5 assemblies into the analyzer as described in Procedure 5, "A2, A3, A4, and A5 Assemblies Replacement," steps 6 through 12.



SK135

Figure 3-12. Power Supply Cover



---

## Procedure 7. A6A1 High Voltage Assembly

### Removal

---

**Warning**      The A6 Power Supply and A6A1 High Voltage assemblies contain lethal voltages with lethal currents in all areas. Use extreme care when servicing these assemblies. Always disconnect the power cord from the instrument before beginning this replacement procedure. Failure to follow this precaution can represent a shock hazard which may result in personal injury.

---

1. Disconnect the power cord from the analyzer.
2. Remove the analyzer's cover assembly as described in Procedure 1.
3. Fold out the A2, A3, A4, and A5 assemblies as described in Procedure 5, "A2, A3, A4, and A5 Assemblies."
4. Place the analyzer top-side-up on the work bench.

---

**Warning**      The voltage potential at A6A1W3 is +9 kV. Disconnect at the CRT with caution! Failure to properly discharge A6A1W3 may result in *severe electrical shock to personnel and damage to the instrument.*

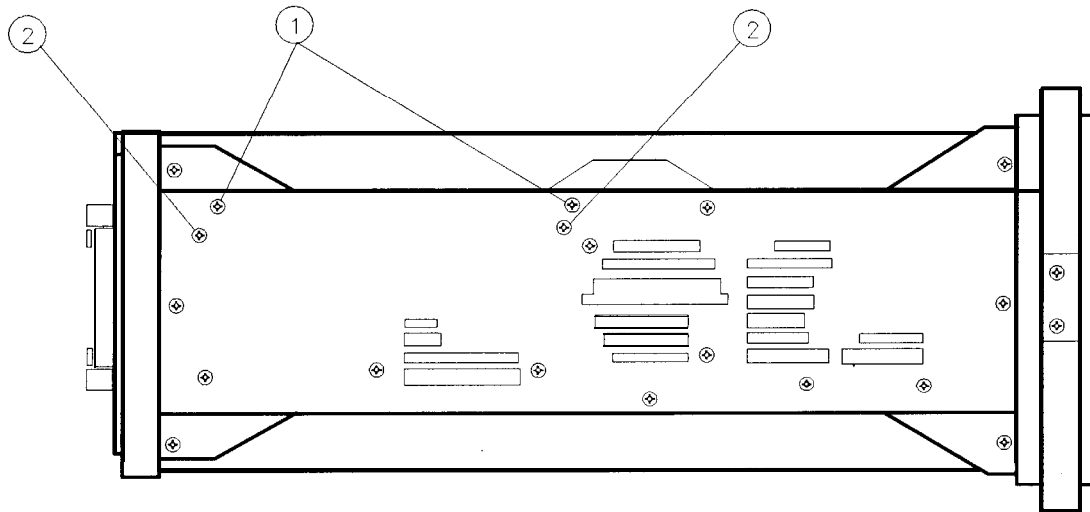
---

5. Connect the analyzer's line-power cord to provide proper grounding while discharging the A6A1W3 post-accelerator cable. Make sure that the analyzer's line-power switch is in the off position.
6. Connect a high-voltage probe (1000:1), such as the HP 34111A to a voltmeter with a 10 megohm input.
7. Connect the clip lead of the probe (ground) to the chassis of the spectrum analyzer.
8. Slip the tip of the high-voltage probe under the A6A1W3 post-accelerator cable's rubber shroud to obtain a reading on the voltmeter. See Figure 3-2.
9. Keep the high-voltage probe on the post-accelerator connector until the voltage has dropped to a voltmeter reading of less than 5 mV (less than 5 V at the connector). This normally takes about 30 seconds.
10. Disconnect the line-power cord from the spectrum analyzer.
11. Using a small screwdriver with the shank in contact with the CRT shield assembly, slip the tip of the screwdriver under the A6A1W3 post-accelerator cable's rubber shroud and short the cable to ground on the CRT shield assembly. See Figure 3-2.
12. Pry out the black grommet protecting post-accelerator cable A6A1W3 from the CRT shield assembly.
13. Carefully unsnap the A6A1W3 post-accelerator cable from the CRT and discharge it by shorting the cable to chassis ground on the CRT shield assembly.
14. Remove the three screws securing the power supply shield to the power supply and remove the shield.
15. Remove the three screws and washers securing the A6A1 High Voltage assembly to the A6 Power Supply assembly.

### 3-22 Assembly Replacement

## Procedure 7. A6A1 High Voltage Assembly

16. Disconnect ribbon cable A6A1W1 from A6J5. See Figure 3-11.
17. Remove the two screws (1) securing two board-mounting posts to the left side frame and remove the posts. See Figure 3-13.
18. Remove the two left side-frame screws (2) securing the A17 assembly.
19. Lift up the A17 CRT driver assembly and disconnect A6A1W2 from A17J6. Do not remove any other cables from the A17 assembly.
20. Disconnect the tie wraps from the A6A1 assembly cables and remove the A6A1 High Voltage assembly from the analyzer.



SK136

Figure 3-13. A17 CRT Driver Mounting Screws

### Replacement

1. Secure the A6A1 High Voltage assembly to the A6 Power Supply using three panhead screws and washers. Connect ribbon cable A6A1W1 to A6J5.
2. Snap post-accelerator cable A6A1W3 to the CRT assembly.
3. Place the black grommet protecting the post-accelerator cable into the CRT shield.
4. Ensure that all cables are safely routed and will not be damaged when securing the A6 cover.
5. Secure the power supply cover shield to the power supply using three flathead screws (1). See Figure 3-12. One end of the cover fits into a slot provided in the rear frame assembly.
6. Connect A6A1W2 to A17J6.
7. Place the A17 CRT Driver assembly into the center-deck mounting slot nearest the CRT. Use caution when routing cables to avoid damage.
8. Secure the A17 assembly with the two flathead screws removed in "Removal" step 17. See Figure 3-13 (2).
9. Connect the two mounting posts to the left-side frame using the two screws removed in "Removal" step 16. See Figure 3-13 (1).

### **Procedure 7. A6A1 High Voltage Assembly**

10. Fold the A2, A3, A4, and A5 assemblies into the analyzer and secure the analyzer cover assembly as described in Procedure 5, “A2, A3, A4, and A5 Assemblies.”

## Procedure 8. A7 through A13 Assemblies

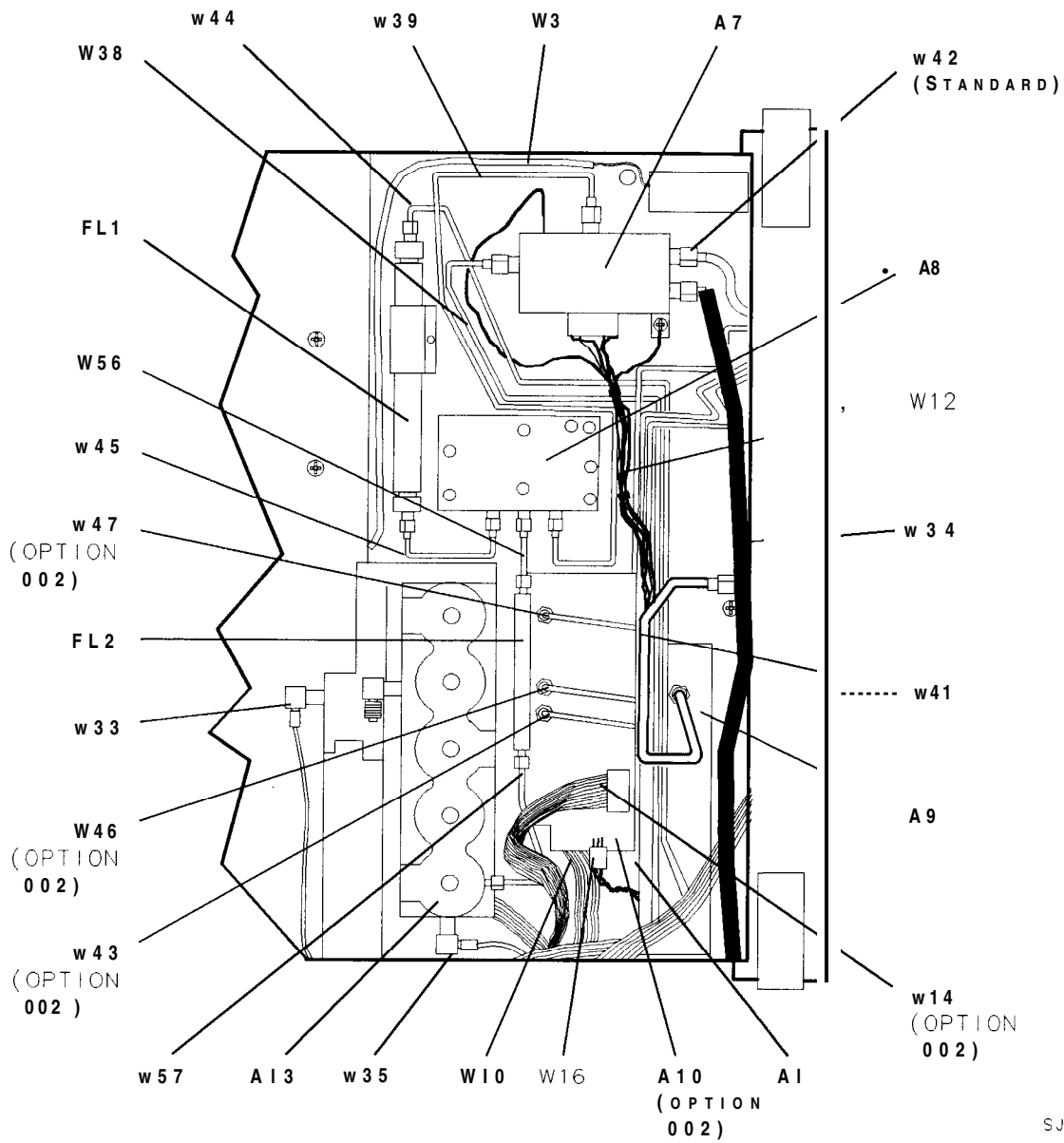
A separate replacement procedure is supplied for each assembly listed below. Before beginning a procedure, do the following:

- Fold out the A14 and A15 assemblies as described in Procedure 9, “A14 and A15 Assemblies.”
- If the All YTO or A10 Tracking Generator (Option 002) assembly is being removed, also fold down the A2, A3, A4, and A5 assemblies as described in Procedure 5, “A2, A3, A4, and A5 Assemblies.”

A7 First LO Distribution Amplifier  
A8 Low Band Mixer  
A9 Input Attenuator  
A10 Tracking Generator (Option 002)  
A11 YTO  
A13 Second Converter

Figure 3-14 illustrates the location of the assemblies and Figure 3-15 provides the colors and locations of the assembly bias wires.

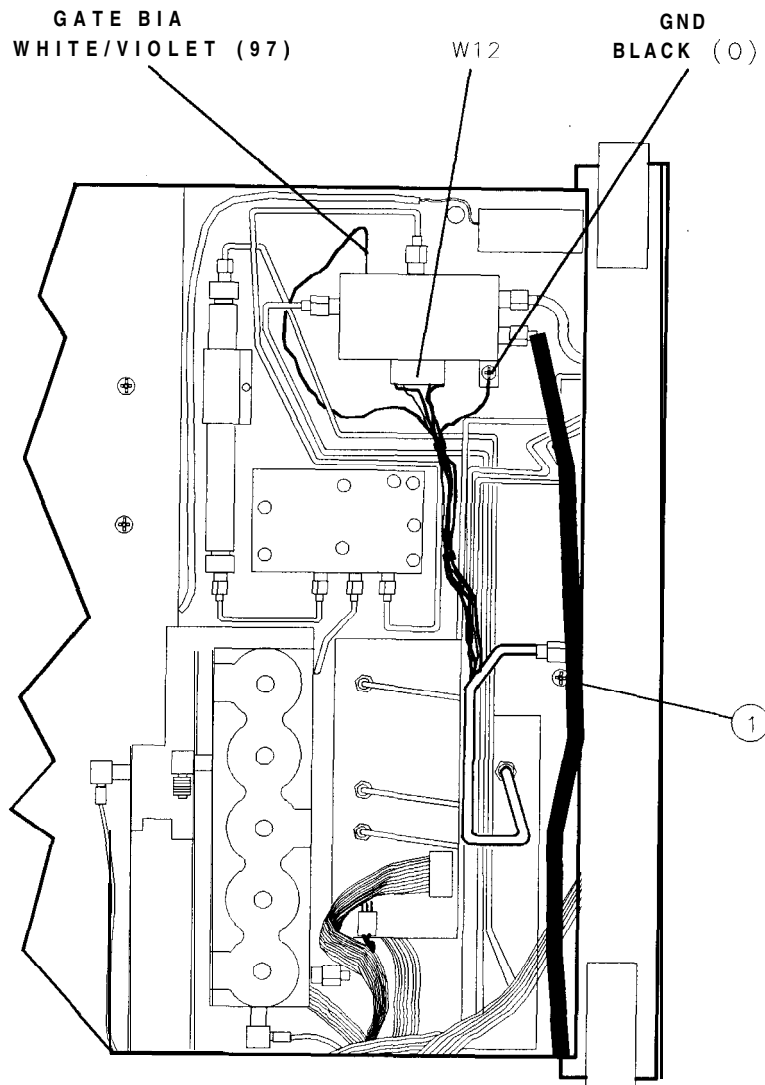
**Procedure 8. A7 through A13 Assemblies**



**Figure 3-14. Assembly Locations**

SJ16

Procedure 8. A7 through A13 Assemblies



SJ17

Figure 3-15. RF Section Bias Connections

---

## A7 1st LO Distribution Amplifier

### Removal

1. Remove the two screws securing the assembly to the analyzer's center deck.
2. Use a 5/16-inch wrench to disconnect W38 and W39 at A7J1 and J2.
3. Disconnect W42 (W43 on Option 002) at the front-panel 1ST LO OUTPUT connector. Loosen W42 (W43 on Option 002) at A7J3.
4. Remove the gate bias wire, color code 97, and W12 from the A7 assembly.
5. Remove the assembly and disconnect W34.

### Replacement

1. Use a 5/16-inch wrench to attach W34 to A7J4 and W42 (W43 on Option 002) to A7J3.
2. Connect gate bias wire, color code 97, to the A7 gate bias connection next to A7J2.
3. Connect cable W12 to the A7 assembly.
4. Place gate bias wire, color code 97, beneath W38 and connect W38 to A7J1. Connect W42 (W43 on Option 002) to the front-panel 1ST LO OUTPUT connector. Connect W39 to A7J2.
5. Use two panhead screws to secure A7 to the center deck. Be sure to attach the ground lug on the screw next to A7J4.
6. Tighten all RF cable connections.

## A8 Low Band Mixer

### Removal

1. Disconnect W34 at A15A2J1, and place the analyzer upside-down on the work bench with A14 and A15 folded out to the left.
2. Remove W45 from FL1 and A8J1
3. Use a 5/16-inch wrench to loosen the semirigid coax cable connections at A8J2 and A8J3.
4. Remove the two screws securing A8 to the center deck.
5. Remove all semirigid coax cables from the A8 assembly.

### Replacement

1. Place A8 on the center deck and attach all semirigid cables, starting with A8J3, using caution to avoid damaging any of the cables' center conductor pins.
2. Use two panhead screws to secure A8 to the center deck. Reconnect W45 to FL1 and A8.
3. Tighten all semirigid coax connections on A8. Ensure that all other cable connections are tight.



---

## A9 Input Attenuator

### Removal

1. Disconnect W34 at A15A2J1, and place the analyzer upside-down on the work bench.
2. Remove W41 and disconnect W44 from the attenuator.
3. Remove screw (1) securing the attenuator to the front-frame center support. See Figure 3- 15.
4. Remove screw (1) securing the A9 Input Attenuator to the right side frame. See Figure 3-16.
5. Remove the attenuator and disconnect the attenuator ribbon cable.

### Replacement

1. Connect the attenuator-control ribbon cable to the A9 Input Attenuator.
2. Place the A9 Input Attenuator into the analyzer with the A9 mounting brackets resting against the front-frame center support and the right side frame. Use caution to avoid damaging any cables.
3. Attach the attenuator to the center support with one panhead screw (1). See Figure 3-15.
4. Attach the attenuator to the right side frame, using one flathead screw (1). See Figure 3- 16.
5. Connect semirigid cables W41 and W44 to the attenuator assembly. Connect opposite end of W41 to the front frame.

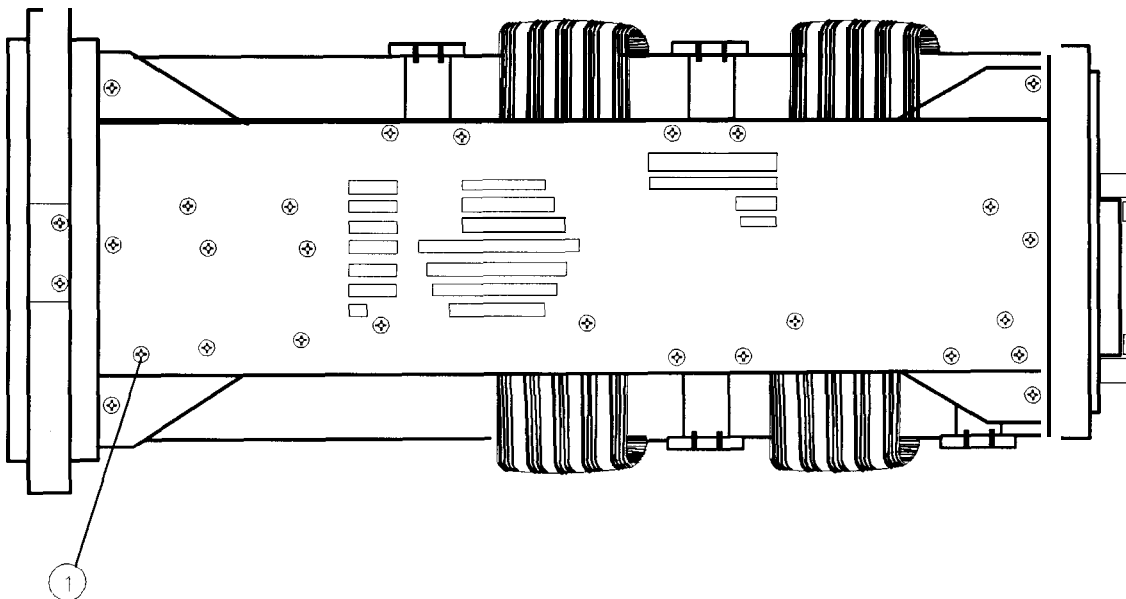


Figure 3-18. A9 Mounting Screws at Right Frame

## A10 Tracking Generator (Option 002)

### Removal

1. Use a 5/16 inch wrench to remove the Tracking Generator's RF OUT, LO OUT, and LO IN semi-rigid cables.
2. Disconnect W14 and W16 from the Tracking Generator.
3. Remove the three screws (1) securing the Tracking Generator to the center deck. These screws are located on the top side of the center deck as illustrated in Figure 3-17.
4. Remove the Tracking Generator and disconnect W48, coax 80.

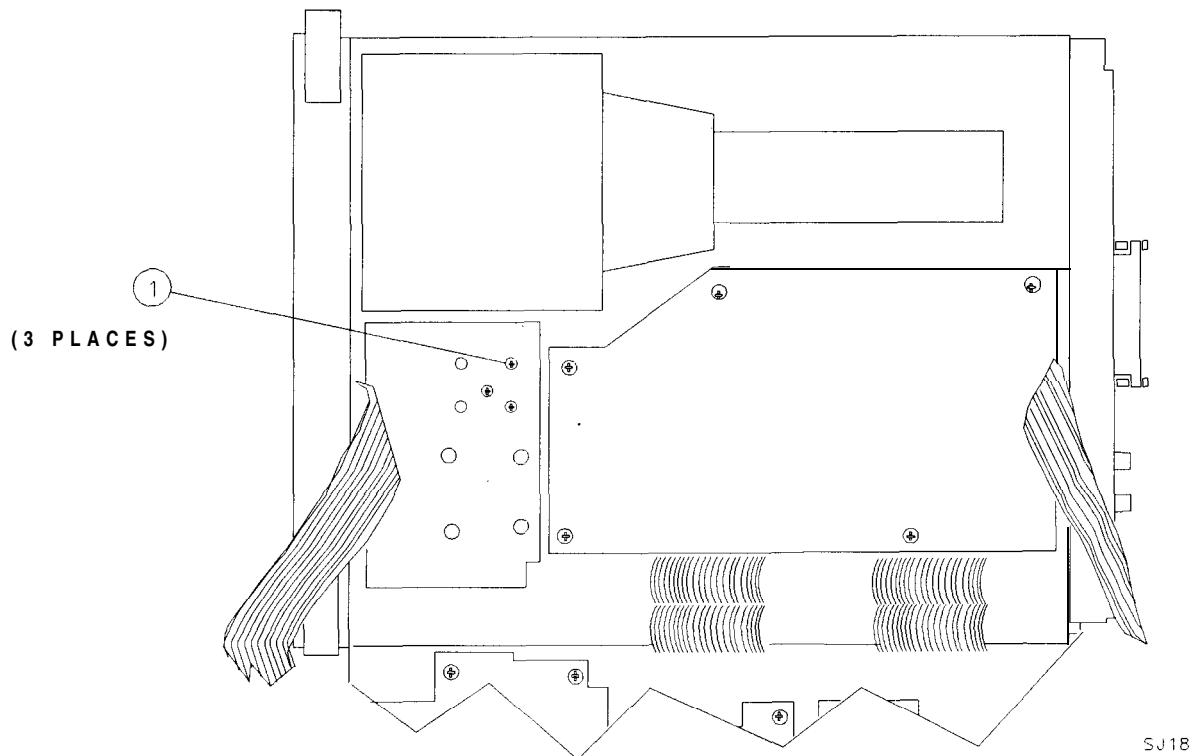


Figure 3-17. A10 Tracking Generator Mounting Screws

### Replacement

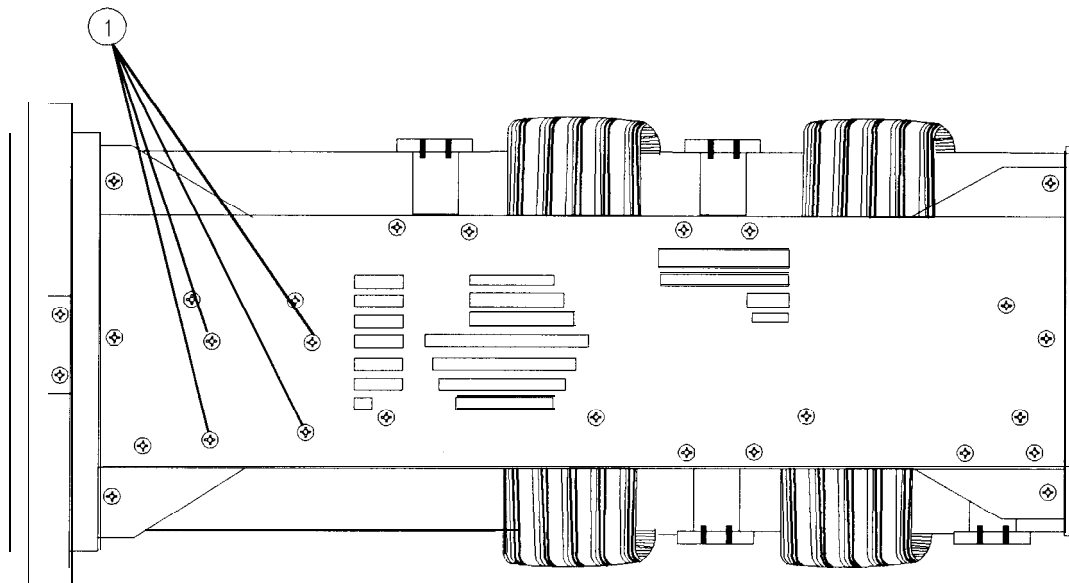
1. Connect W48, coax 80, to the Tracking Generator's INPUT connector.
2. Orient the Tracking Generator so that its LO IN, LO OUT, and RF OUT connectors are closest to the A13 Second Converter.
3. Loosely connect the LO IN, LO OUT, and RF OUT semi-rigid cables.
4. Secure the Tracking Generator to the analyzer's center deck using the three screws removed in step 3 of the removal procedure.
5. Tighten the semi-rigid cables.
6. Connect W14 and W16 to the Tracking Generator.

---

## All YTO

### Removal

1. If the analyzer is an Option 002, remove the Tracking Generator before proceeding.
2. Place the analyzer top-side-down on the work bench.
3. Use a 5/16 inch wrench to remove W56/FL2/W57 (as a unit).
4. Disconnect W38 at the All Assembly.
5. Remove the All mounting screws (1) shown in Figure 3-18.
6. Disconnect W10 from All.



SJ19

**Figure 3-18. A11 Mounting Screws**

### Replacement

1. Reconnect W10 to All.
2. Place the All Assembly in the analyzer.
3. Secure the All Assembly to the right-side frame using the four screws (1) removed in "Removal" step 5.
4. Connect W38 to All.
5. Install W56/FL2/W57. Ensure that all of the connections are tight.
6. If the analyzer is an Option 002, install the Tracking Generator.

## **A13 Second Converter**

---

**Caution** Turn off the analyzer's power when replacing the A13 Second Converter Assembly. Failure to turn off the power may result in damage to the assembly.

---

### **Removal**

1. Disconnect W34 at A15A2J1 and place the analyzer upside-down on the work bench.
2. Disconnect ribbon cable W13 from the A13 assembly.
3. Disconnect W33, coax 81, and W35, coax 92, from the A13 assembly.
4. Disconnect W57 from A13J1.
5. Remove the four screws securing A13 to the main deck and remove the assembly.

### **Replacement**

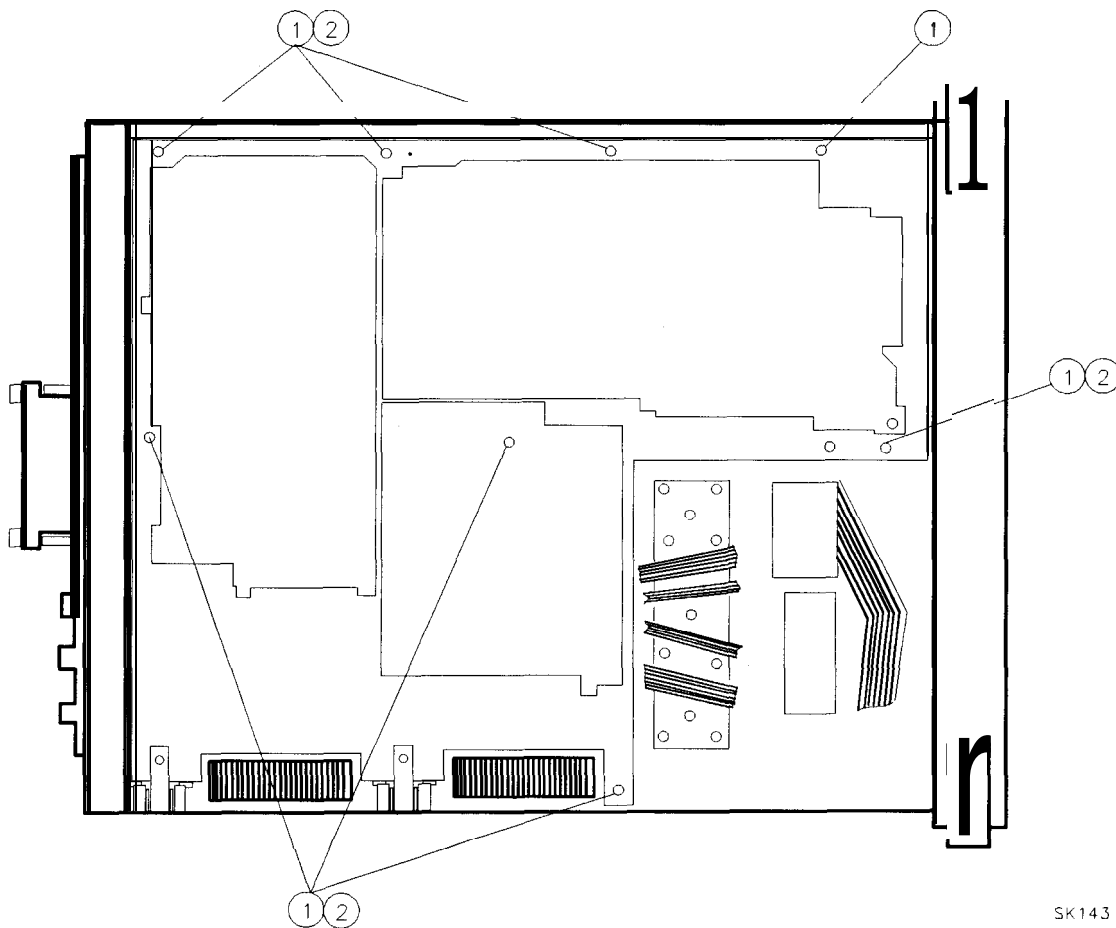
1. Secure A13 to the analyzer's main deck, using four panhead screws.
2. Connect W57 to A13J1. Ensure that the connections on both ends of FL2 are tight.
3. Connect W35, coax 92, to A13J2 310.7 MHz OUT jack.
4. Connect W33, coax 81, to A13J4 600 MHz IN jack.
5. Connect ribbon cable W13 to the A13 assembly.

---

## Procedure 9. AI4 and AI5 Assemblies

### Removal

1. Remove the analyzer's cover as described in Procedure 1, "Analyzer Cover."
2. Place the analyzer on its right side frame.
3. Remove the eight screws and washers holding the AI4 and AI5 assemblies to the bottom of the analyzer. These screws are labeled 1 and 2 in Figure 3-19.



SK143

**Figure 3-19. AI4 and AI5 Assembly Removal**

---

### Caution

Washers are not captive. Loose washers in instrument may cause internal damage.

---

**Caution** DO NOT fold the board assemblies out of the analyzer one at a time. Always fold the AI4 and AI5 assemblies as a unit. Folding out one assembly at a time binds the hinges attaching the assemblies and may damage an assembly and hinge.

---

4. The board assemblies are attached to the analyzer's right side frame with two hinges. Fold both the AI4 and AI5 assemblies out of the analyzer as a unit.
  5. Remove all cables from the assembly being removed.
  6. Remove the two screws that attach the assembly being removed to its two mounting hinges.
- 

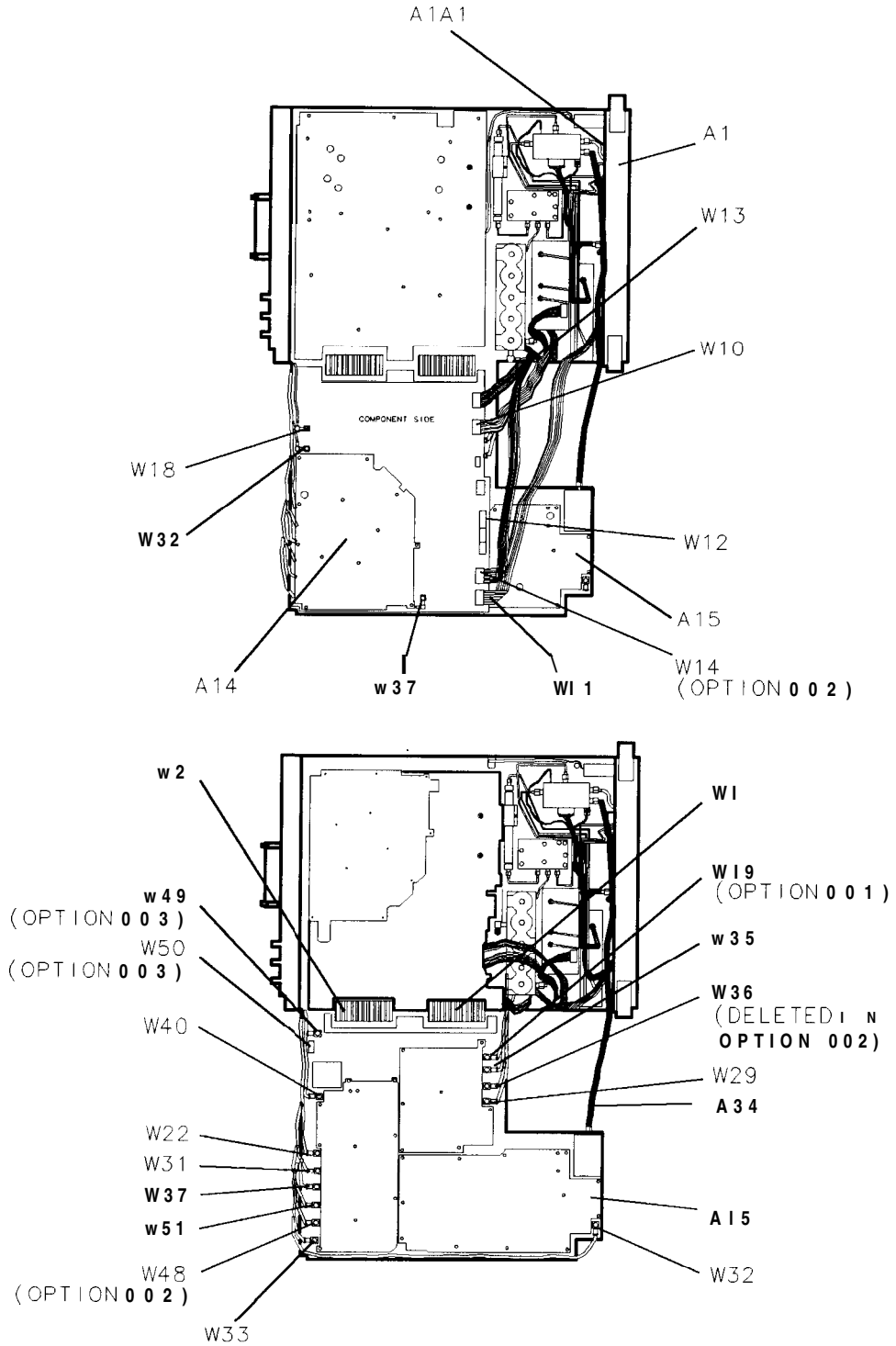
**Caution** DO NOT torque shield screws to more than 5 inch-pounds. Applying excessive torque will cause the screws to stretch.

---

### Replacement

1. Attach the removed assembly to the two chassis hinges with two panhead screws.
2. Attach all cables to the assembly as illustrated in Figure 3-20.
3. Lay the AI4 and AI5 assemblies flat against each other in the folded out position. Make sure that no cables become pinched between the two assemblies. Ensure that all coaxial cables are clear of hinges and standoffs before continuing onto the next step.
4. Fold both board assemblies into the analyzer as a unit. Use caution to avoid damaging any cable assemblies.
5. Secure the assemblies using the eight screws and washers removed in "Removal" step 3. Place a washer (2) on the appropriate screws. See Figure 3-19.
6. Secure the analyzer's cover assembly as described in Procedure 1, "Analyzer Cover."

**Procedure 9. A14 and A15 Assemblies**



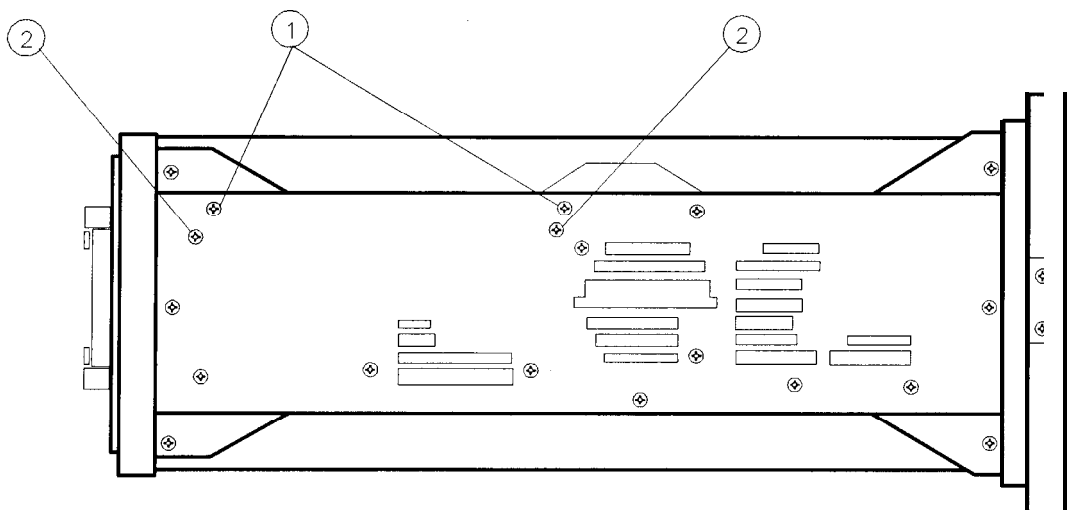
SJ110

**Figure 3-20. A14 and A15 Assembly Cables**

## Procedure 10. AI7 CRT Driver

### Removal

1. Remove the analyzer's cover assembly and fold out the A2, A3, A4, and A5 assemblies as described in Procedure 5, "A2, A3, A4, and A5 Assemblies Removal," steps 3 through 6.
2. Place the analyzer top-side-up on the work bench with A2, A3, A4, and A5 folded out to the right.
3. Remove two screws (1) securing the two board-mounting posts to the left-side frame, and remove the posts. See Figure 3-21.
4. Remove two screws (2) securing AI7 assembly to the left-side frame.
5. Pull the AI7 Assembly out of the analyzer.



SK145

Figure 3-21. AI7 Mounting Screws

### Replacement

1. Connect W7, W8, W9, A6A1W2, and A18W1 to the AI7 CRT Driver Assembly. Place the assembly into the center-deck mounting slot next to the CRT assembly.
2. Secure the AI7 assembly to the left side frame using two flathead screws. Attach the board mounts to the left side frame using two flathead screws. See Figure 3-21.
3. Place the analyzer on its right side frame.
4. Fold the A2, A3, A4, and A5 assemblies into the analyzer as described in Procedure 5, "A2, A3, A4, and A5 Assemblies." Secure the analyzer's cover assembly.



---

## Procedure 11. B1 Fan

### Removal/Replacement

---

**Warning** Always disconnect the power cord from the instrument before beginning this replacement procedure. Failure to follow this precaution can present a shock hazard which may result in personal injury.

---

1. Remove the four screws securing the fan assembly to the rear frame.
  2. Remove the fan and disconnect the fan wire from the A6 Power Supply assembly.
  3. To reinstall the fan, connect the fan wire to A6J3 and place the wire into the channel provided on the left side of the rear-frame opening. Secure the fan to the rear frame using four panhead screws.
- 

**Note** The fan must be installed so that the air passes through the instrument and exits out the front of the instrument.

---

---

## Procedure 12. BT1 Battery

---

**Warning**      **Battery BT1 contains lithium polycarbon monofluoride. Do not incinerate or puncture this battery. Dispose of discharged battery in a safe manner.**

---

**Caution**      To avoid loss of the calibration constants stored on the A2 Controller assembly, connect the analyzer to the main power source and turn on before removing the battery.

---

The battery used in this instrument is designed to last several years. An output voltage of +3.0 V is maintained for most of its useful life. Once this voltage drops to +2.6 V, its life and use are limited and the output voltage will deteriorate quickly. When the instrument is turned off, stored states and traces will only be retained for a short time and may be lost. Refer to “State- and Trace-Storage Problems” in chapter 9, “Controller Section”, in this manual. The battery should be replaced if its voltage is +2.6 V or less.

### Removal/Replacement

1. Locate the battery assembly cover on the analyzer’s rear panel. Use a screwdriver to remove the two flathead screws securing the cover to the analyzer.
2. Remove the old battery and replace it with the new one, ensuring proper polarity.
3. Measure the voltage across the new battery. Nominal new battery voltage is approximately +3.0 V. If this is not the case, check the battery cable and A2 Controller assembly.
4. Secure the battery assembly into the analyzer.

---

## Procedure 13. Rear Frame/Rear Dress Panel

### Removal

---

**Warning**      **The A8 Power Supply and A6A1 High Voltage assemblies contain lethal voltages with lethal currents in all areas. Use extreme care when servicing these assemblies. Always disconnect the power cord from the instrument before beginning this replacement procedure. Failure to follow this precaution can represent a shock hazard which may result in personal injury.**

---

1. Disconnect the line-power cord from the analyzer.
2. Remove the analyzer's cover, and place the analyzer on its right side frame.
3. Fold out the A2, A3, A4, and A5 assemblies as described in Procedure 5, "A2, A3, A4, and A5 Assemblies Removal," steps 3 through 5.
4. Disconnect the HP-IB cable at A2J5.
5. Place the analyzer top-side-up on the work bench with A2 through A5 folded out to the right.

---

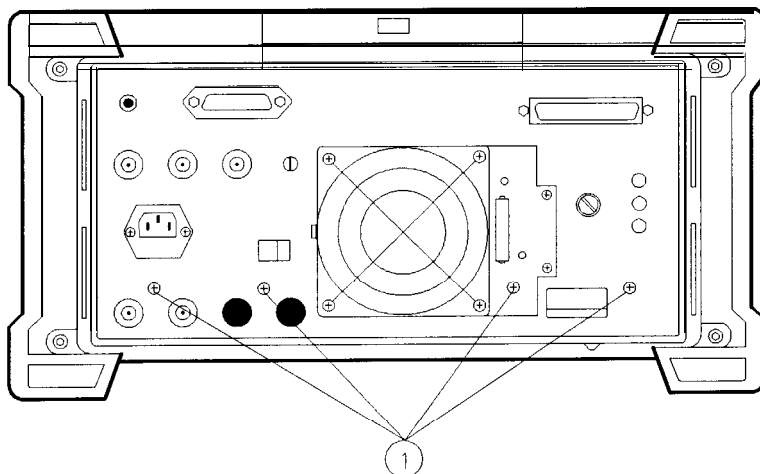
**Warning**      **The voltage potential at A6A1W3 is +9 kV. Disconnect at the CRT with caution! Failure to properly discharge A6A1W3 may result in severe *electrical shock* to personnel and damage to the instrument.**

---

6. Connect the analyzer's line-power cord to provide proper grounding while discharging the A6A1W3 post-accelerator cable. Make sure that the analyzer's line-power switch is in the off position.
7. Connect a high-voltage probe (1000:1), such as the HP 34111A to a voltmeter with a 10 megohm input.
8. Connect the clip lead of the probe (ground) to the chassis of the spectrum analyzer.
9. Slip the tip of the high-voltage probe under the A6A1W3 post-accelerator cable's rubber shroud to obtain a reading on the voltmeter. See Figure 3-2.
10. Keep the high-voltage probe on the post-accelerator connector until the voltage has dropped to a voltmeter reading of less than 5 mV (less than 5 V at the connector). This normally takes about 30 seconds.
11. Disconnect the line-power cord from the spectrum analyzer.
12. Using a small screwdriver with the shank in contact with the CRT shield assembly, slip the tip of the screwdriver under the A6A1W3 post-accelerator cable's rubber shroud and short the cable to ground on the CRT shield assembly. See Figure 3-2.
13. Remove the three screws securing the power-supply shield to the power supply, and remove the shield.
14. Disconnect the fan and line-power cables from A6J3 and A6J101 on the A6 Power Supply assembly.

### Procedure 13. Rear Frame/Rear Dress Panel

15. Remove the two flathead screws securing the rear-panel battery assembly, and remove the assembly. Remove the battery and unsolder the two wires attached to the battery assembly.
16. Use a 9/16-inch nut driver to remove the dress nuts holding the BNC connectors to the rear frame. If necessary, drill out the nut driver to fit over the BNC connectors, and cover it with heatshrink tubing or tape to avoid scratching the dress panel.
17. *For Option 001 analyzers:* Use a 5/16-inch wrench to disconnect W19, coax 83, from rear-panel connector J 10.
18. *For Option 002 analyzers:* Use a 5/16-inch wrench to disconnect J11 from the rear panel.
19. Disconnect the two cable ties holding ribbon cable W7 to the A19 HP-IB assembly.
20. Remove four screws (1) securing the rear frame to the main deck. See Figure 3-22.
21. Remove the six screws securing the rear frame to the left and right side frames.
22. Use a 3/8-inch nut driver to remove the nut securing the earphone jack. Carefully remove the jack using caution to avoid losing the lock washer located on the inside of the rear-frame assembly. Replace the washer and nut onto the jack for safekeeping.
23. Remove the rear-frame assembly.
24. To remove the rear dress panel, remove the two spring clips located on the inside of the rear frame near the display adjustment holes.



SK 147

**Figure 3-22. Main Deck Screws**

### Replacement

1. If the rear dress panel is removed, secure it to the rear frame using two spring clips. Take care to seat the panel tight against the frame.
2. Place the analyzer on its front panel allowing easy access to the rear-frame area.
3. Place the rear frame on the analyzer and use a 3/8-inch nut driver to secure the earphone jack. A lock washer should be used on the inside of the rear frame and a flat washer on the outside.

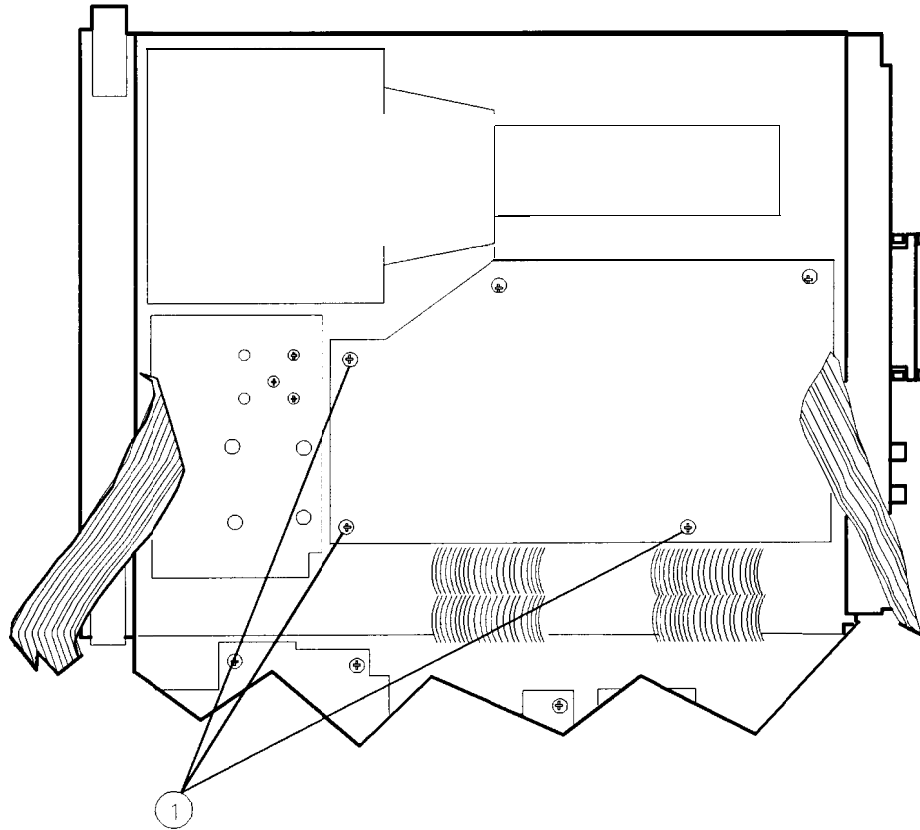
### Procedure 13. Rear Frame/Rear Dress Panel

- Place the coax cable's BNC connectors into the appropriate rear-frame holes as described below. Use a 9/16-inch nut driver to attach the dress nuts holding the BNC connectors to the rear frame.

Rear Panel Jack	RF Cable
J4	W24, coax 5
J5	W23, coax 93
J6	W25, coax 4
J8	W18, coax 97
J9	W31, coax 8

- For Option 001 analyzers:* Use a 5/16-inch wrench to connect W19, coax 83, to rear-panel connector J10.
- For Option 002 analyzers:* Use a 5/16-inch wrench to connect J11 to the rear panel.
- Secure the rear frame to the analyzer's main deck, using four panhead screws (1). See Figure 3-22.
- Secure the rear frame to the analyzer side frames using three flathead screws per side. Use caution to avoid damaging any coaxial cables.
- Place the analyzer top-side-up on the work bench.
- Pull the red and black battery wires through the rear-frame's battery-assembly hole. Solder the red wire to the battery-assembly's positive lug and the black wire to the negative lug. Replace the battery.
- Secure the battery assembly to the rear frame, using two flathead screws.
- Reconnect the two cable ties on the A19 HP-IB assembly to hold ribbon cable W7 to the A19 assembly.
- Connect the fan and line-power cables to A6J3 and A6J101 on the A6 Power Supply.
- Snap the A6A1W3 post-accelerator cable to the CRT assembly.
- Snap the black grommet protecting A6A1W3 into the CRT shield.
- Ensure that all cables are safely routed and will not be damaged when securing the A6 cover.
- Secure the power-supply cover shield to the power supply, using three flathead screws (1). One end of the cover fits into a slot provided in the rear-frame assembly.
- Connect the HP-IB cable to A2J5.
- Fold the A2, A3, A4, and A5 assemblies into the analyzer as described in Procedure 5.

Procedure 13. Rear Frame/Rear Dress Panel



SK148

Figure 3-23. A6 Power-Supply Cover

---

## Procedure 14. W3 Line Switch Cable

### Removal

---

**Warning** Due to possible contact with high voltages, disconnect the analyzer's line-power cord before performing this procedure.

---

1. Remove the analyzer's cover assembly as described in Procedure 1, "Analyzer Cover."
2. Fold out the A2, A3, A4, and A5 assemblies as described in Procedure 5, "A2, A3, A4, and A5 Assemblies Removal," steps 3 through 5.
3. Disconnect A1A1W1 from A3J602.
4. Place the analyzer top-side-up on the work bench with A2 through A5 folded out to the right.

---

**Warning** The voltage potential at A6A1W3 is +9 kV. Disconnect at the CRT with caution! Failure to properly discharge A6A1W3 may result in *severe electrical shock* to personnel and damage to the instrument.

---

5. Connect the analyzer's line-power cord to provide proper grounding while discharging the A6A1W3 post-accelerator cable. Make sure that the analyzer's line-power switch is in the off position.
6. Connect a high-voltage probe (1000:1), such as the HP 34111A to a voltmeter with a 10 megohm input.
7. Connect the clip lead of the probe (ground) to the chassis of the spectrum analyzer.
8. Slip the tip of the high-voltage probe under the A6A1W3 post-accelerator cable's rubber shroud to obtain a reading on the voltmeter. See Figure 3-2.
9. Keep the high-voltage probe on the post-accelerator connector until the voltage has dropped to a voltmeter reading of less than 5 mV (less than 5 V at the connector). This normally takes about 30 seconds.
10. Disconnect the line-power cord from the spectrum analyzer.
11. Using a small screwdriver with the shank in contact with the CRT shield assembly, slip the tip of the screwdriver under the A6A1W3 post-accelerator cable's rubber shroud and short the cable to ground on the CRT shield assembly. See Figure 3-2.
12. Remove the three screws securing the power supply shield to the power supply, and remove the shield.
13. Pull the cable tie (1), Figure 3-24, to free W9 and the post-accelerator cables.
14. Disconnect W3 from A6J2.
15. Pull W3 up from between the power supply and the CRT assembly.
16. Undress W3.
17. Place the analyzer on its right side frame.

## Procedure 14. W3 Line Switch Cable

18. Fold out the A14 and A15 assemblies as described in Procedure 9, "A14 and A15 Assemblies Removal," steps 3 and 4.
19. Remove the screw (1) securing W3, the line switch assembly, to the front frame. The screw is captive. See Figure 3-25.

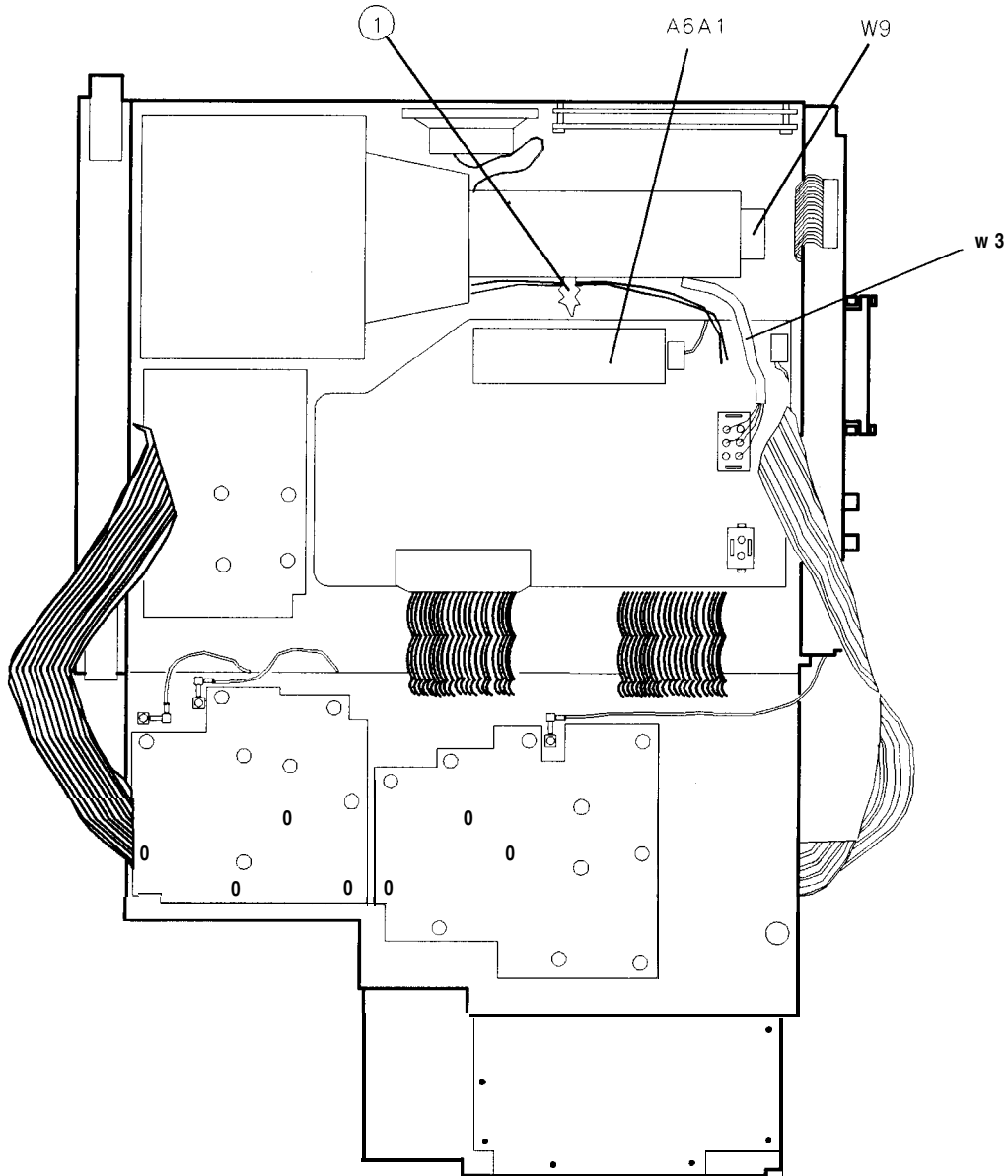


Figure 3-24. W3 Dress and Connection to A6 Power Supply

20. Remove A1W1 and A1W1DS1 from the line-switch assembly. Let each hang freely.

---

**Note** If contact removal tool, HP part number 8710-1791, is available, complete assembly removal by performing "Removal" steps 21 and 22. If not, skip to "Removal" step 23.

---

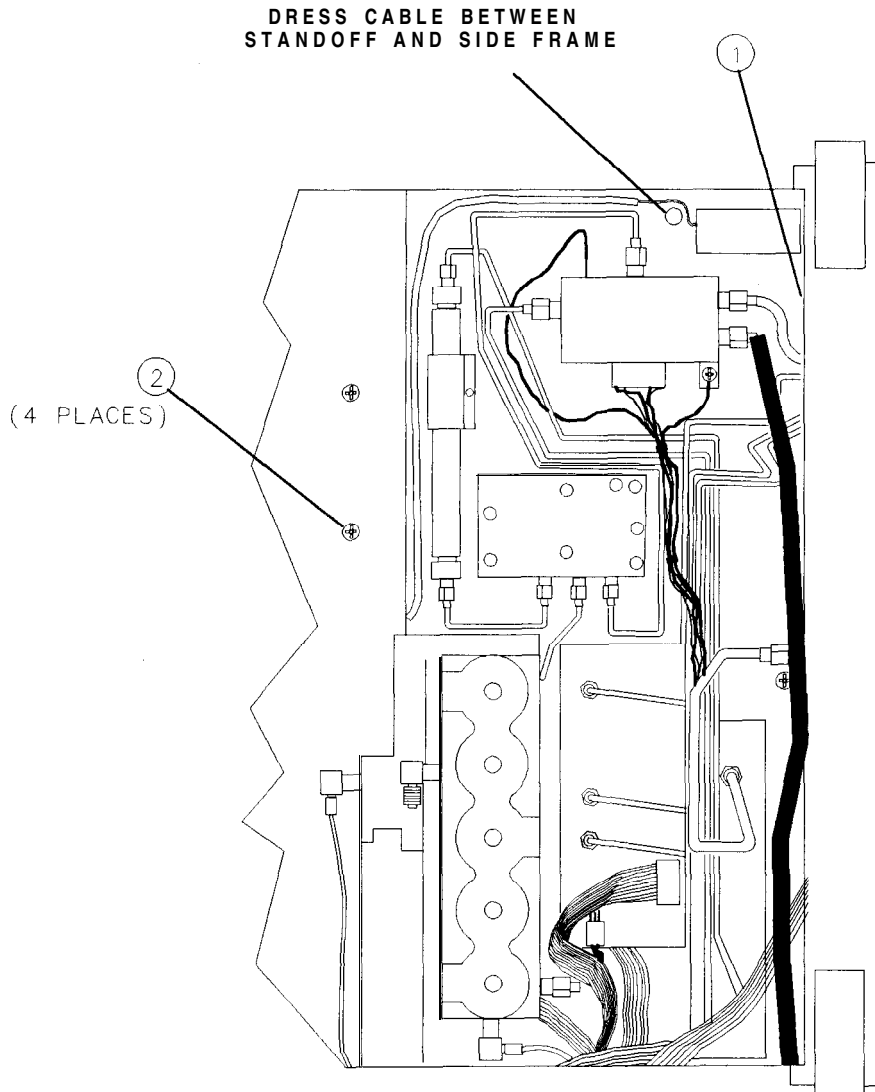


**Procedure 14. W3 Line Switch Cable**

21. From the top side of the analyzer, use contact removal tool, HP part number 8710-1791, to remove the four wires from the W3 connector. See Figure 3-26. With wire cutters, clip the tie wrap holding the cable to the contact housing.
22. Completely remove the cable from the instrument.
23. Remove the AI Front-Frame assembly and AI8 CRT assembly as described in Procedure 2, "AI Front Frame/AI8 CRT Removal," steps 16 through 29.
24. Remove the left side frame from the analyzer using the hardware listed below. (The side frame will still be attached by the speaker wires. Do not let it hang freely.)

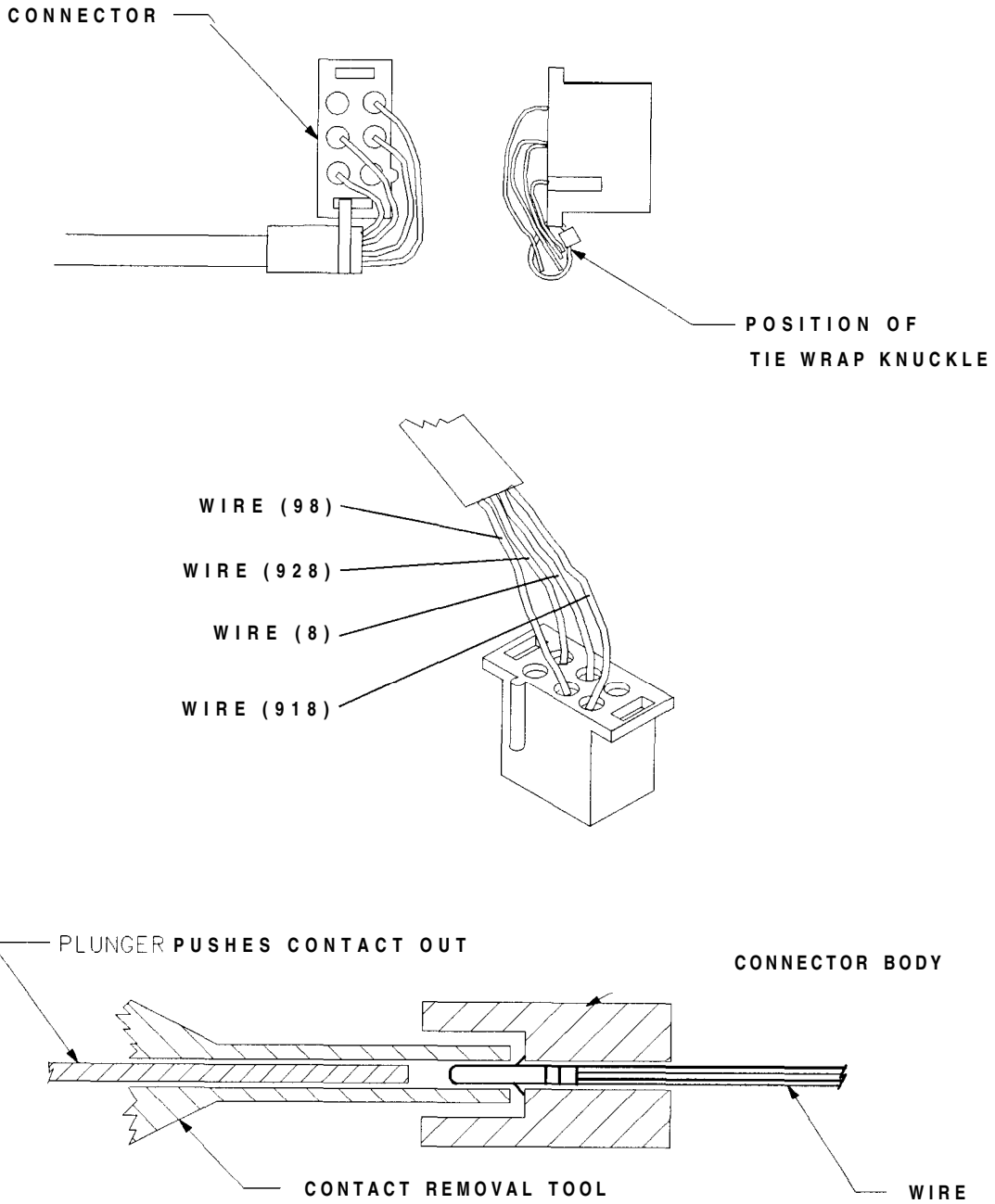
Screw	Quantity
(1) SCREW-MACH M4 X 0.7 8 mm-LG FLAT HD .....	3
(2) SCREW-MACH M3 X 0.5 35 mm-LG FLAT HD .....	2
(3) SCREW-MACH M3 X 0.5 6 mm-LG FLAT HD .....	6

25. Remove the line-switch cable assembly.



**Figure 3-25. Line Switch Mounting Screw and Cable Dress**

Procedure 14. W3 Line Switch Cable



SK151

Figure 3-26. W3 Cable Connector

## Procedure 14. W3 Line Switch Cable

### Replacement (Using Contact Removal Tool, HP part number 8710-1791)

1. Ensure that the action of the switch is working properly. With a pair of wire cutters, clip the tie wrap holding the cable to the contact housing of the replacement W3 assembly.
2. Using the contact removal tool, remove the four wires from the replacement cable assembly's connector.
3. From the bottom side of the analyzer, insert the contact end of W3 through the slotted opening in the main deck. W3 should come through to the top side of the analyzer between the A18 CRT assembly and the post-accelerator cable.
4. Place LED AIWIDSI into the line-switch assembly.
5. Attach the line-switch assembly into the front frame, using the captive panhead screw. Be sure to connect the line-switch grounding lug with the screw.
6. Dress W3 between the main deck standoff and the side frame. See Figure 3-24.
7. On the top side of the analyzer, redress W3.
8. Insert the four contacts into the W3 connector.
9. Attach the cable to the connector housing using the supplied tie wrap.
10. Connect W3 to A6J2. Dress W3 into the slotted opening in the deck.
11. Connect A1A1W1 to A3J602.
12. Secure the power-supply cover shield to the power supply, using three flathead screws. One end of the cover fits into a slot provided in the rear-frame assembly.
13. Redress W3 and the other cable assemblies down between the CRT assembly and the power supply cover such that the W9 wires are below the surface of the power-supply cover.
14. Fold up the A2, A3, A4, and A5 assemblies into the analyzer as described in Procedure 5, "A2, A3, A4, and A5 Assemblies Replacement," steps 5 through 10.
15. Fold up A14 and A15 assemblies as described in Procedure 9, "A14 and A15 Assemblies Replacement," steps 9 through 11.

### Replacement (Without Contact Removal Tool)

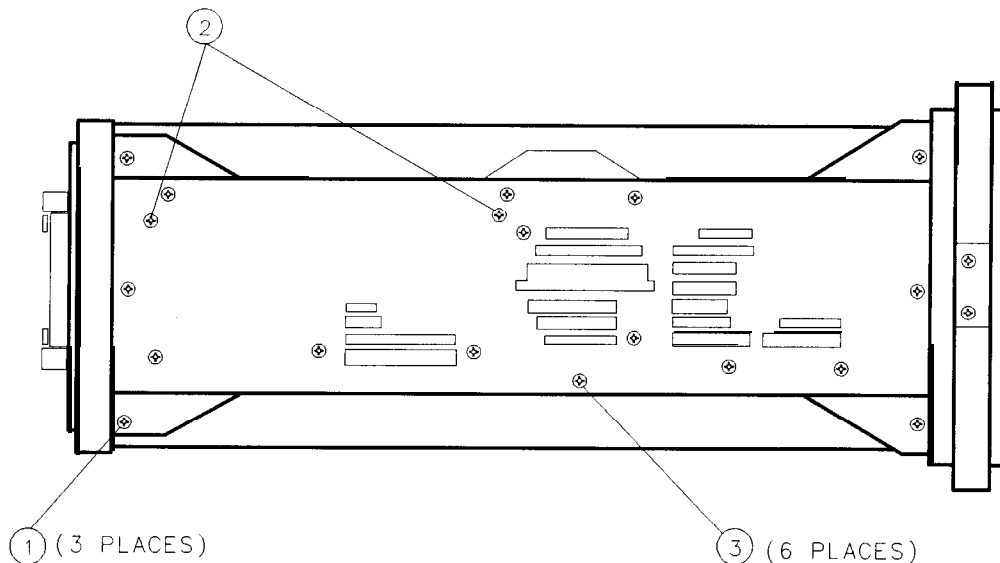
1. Lay the replacement line-switch cable assembly between the side frame and main deck. Ensure that the action of the switch is working properly.
2. Attach the left side frame to the deck and rear frame. See Figure 3-27.

Screw	Quantity
(1) SCREW-MACH M4 X 0.7 8 mm-LG FLAT HD .....	3
(2) SCREW-MACH M3 X 0.5 35 mm-LG FLAT HD .....	2
(3) SCREW-MACH M3 X 0.5 6 mm-LG FLAT HD .....	6

3. Dress W3 between the main deck standoff and the side frame. See Figure 3-24.
4. Attach the A1 Front Frame assembly and the A18 CRT assembly as described in Procedure 2, "A1 Front Frame/A18 CRT Replacement," steps 1 through 15.
5. Place LED AIWIDSI into the line-switch assembly.

## Procedure 14. W3 Line Switch Cable

6. Attach the line-switch assembly into the front frame using the captive panhead screw. Be sure to connect the line-switch grounding lug with the screw.



SK152

**Figure 3-27. Side Frame Mounting Screws**

7. On the top side of the analyzer, redress W3.
8. Connect W3 to A6J2. Dress W3 into the slotted opening in the deck.
9. Connect A1A1W1 to A3J602.
10. Secure the power-supply cover shield to the power supply using three flathead screws. One end of the cover fits into a slot provided in the rear-frame assembly.
11. Place W3 and the other cable assemblies between the CRT assembly and the power supply cover so the W9 wires are below the surface of the power-supply cover.
12. Fold up the A2, A3, A4, and A5 assemblies into the analyzer as described in Procedure 5, "A2, A3, A4, and A5 Assemblies Replacement," steps 5 through 10.
13. Fold up A14 and A15 assemblies as described in Procedure 9, "A14 and A15 Assemblies Replacement," steps 3 through 5.
14. Replace the analyzer's cover assembly.
15. Connect the line-power cord and switch the analyzer's power on. If the analyzer does not operate properly, turn off the analyzer power, disconnect the line cord, and recheck the analyzer.

---

## Procedure 15. EEROM (A2U501)

### Removal/Replacement

---

**Caution** The EEROM is replaced with the power on. Use a nonmetallic tool to remove the defective EEROM and install the new EEROM.

---

1. Turn the HP 8560A (LINE) switch off. Remove the analyzer's cover assembly and fold out the A2, A3, A4, and A5 assemblies as described in Procedure 5, "A2, A3, A4, and A5 Assemblies Removal," steps 3 through 5.
2. Turn the HP 8560A (LINE) switch on.
3. Set the WR PROT/WR ENA jumper on the A2 Controller Assembly to the WR ENA position.
4. Press (CAL), MORE 1 OF 2, SERVICE CAL DATA, COPY EEROM. The analyzer will store the contents of the EEROM into the program RAM.
5. Using a nonmetallic tool, carefully remove the defective EEROM.
6. Carefully install a new EEROM.
7. Press COPY TO EEROM. The analyzer will store the contents of the program RAM into the new EEROM.
8. Turn the HP 8561B's (LINE) switch off, then on, cycling the analyzer power. Allow the power-on sequence to finish.
9. If error message 701, 702, or 703 is displayed, press (RECALL), MORE, and RECALL ERRORS. Use the STEP keys to view any other errors.
10. If error message 701 or 703 is displayed, perform Adjustment 9, "Frequency Response Adjustment" in Chapter 2. (If a TAM is available, perform the module's "Low Band Flatness" tests. Press (MODULE), ADJUST to enter the adjust menu of the TAM.)
11. If error message 704 is displayed, press (SAVE), SAVE PRSEL PK, and (PRESET).
12. If there are no errors after cycling the analyzer power, the EEROM is working properly, but the frequency-response correction data might be invalid. Check the analyzer's frequency response.
13. Place the WR PROT/WR ENA jumper in the WR PROT position.
14. Fold the A2 and A3 assemblies into the analyzer as described in Procedure 5, "A2, A3, A4, and A5 Assemblies." Secure the analyzer's cover assembly.

## Procedure 16. A21 OCXO (Option 003)

### Removal

1. Remove the rear-frame assembly as described in Procedure 13, “Rear Frame/Rear Dress Panel Removal,” steps 1 through 22.
2. Place the analyzer on its right-side frame.
3. Fold out the A14 and A15 assemblies as described in Procedure 9, “A14 and A15 Assemblies Removal,” steps 3 and 4.
4. Remove the three screws (1) securing the OCXO to the main deck. See Figure 3-28.
5. Disconnect W49, coax 82, and W50 from the OCXO and remove the OCXO from the analyzer.

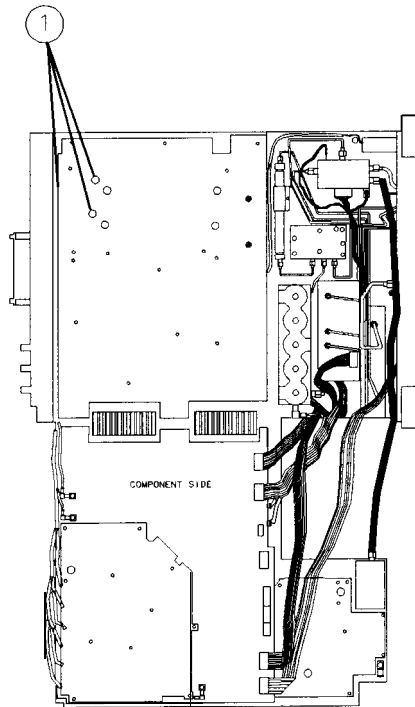


Figure 3-28. A21 OCXO Mounting Screws

### Replacement

1. Connect W49, coax 82, and W50 to the OCXO and position the OCXO in the analyzer.
2. Secure the OCXO to the analyzer’s main deck using three screws (1). See Figure 3-28.
3. Fold the A14 and A15 assemblies into the analyzer as described in Procedure 9.
4. Perform the rear-frame assembly replacement procedure described in Procedure 13.

## Replaceable Parts

---

This chapter contains information on ordering all replaceable parts and assemblies. Locate the instrument parts in the following figures and tables:

	Page
Table 4-1. Firmware-Dependent Part Numbers . . . . .	4-3
Table 4-4. Replaceable Parts . . . . .	4-11
Figure 4-1. Parts Identification, Assembly Mounting . . . . .	4-21
Figure 4-2. Parts Identification, Cover Assembly . . . . .	4-23
Figure 4-3. Parts Identification, Main Chassis . . . . .	4-25
Figure 4-4. Parts Identification, RF Section . . . . .	4-27
Figure 4-5. Parts Identification, Front Frame . . . . .	4-29
Figure 4-6. Parts Identification, Rear Frame . . . . .	4-33

---

### Ordering Information

To order a part or assembly, quote the Hewlett-Packard part number (with check digit), indicate the quantity required, and address the order to the nearest Hewlett-Packard office. The check digit will ensure accurate and timely processing of your order.

To order a part that is not listed in the replaceable parts table, include the instrument model number, the description and function of the part, and the number of parts required. Address the order to the nearest Hewlett-Packard office.

### Direct Mail-Order System

Within the USA, Hewlett-Packard can supply parts through a direct mail-order system. Advantages of using the system are as follows:

- Direct ordering and shipment from the HP Support Materials Organization in Roseville, California.
- No maximum or minimum on any mail order. (There is a minimum order amount for parts ordered through a local HP office when the orders require billing and invoicing.)
- Prepaid transportation. (There is a small handling charge for each order.)
- No invoices.

To provide these advantages, a check or money order must accompany each order. Mail-order forms and specific ordering information is available through your local Hewlett-Packard Sales and Service office.

## Direct Phone-Order System

Within the USA, a phone order system is available for regular and hotline replacement parts service. A toll-free phone number is available, and Mastercard and Visa are accepted.

**Regular Orders:** The toll-free phone number, (800) 227-8164, is available 6 am to 5 pm, Pacific standard time, Monday through Friday. Regular orders have a four-day delivery time.

**Hotline Orders:** Hotline service for ordering emergency parts is available 24 hours a day, 365 days a year. There is an additional hotline charge to cover the cost of freight and special handling.

The toll-free phone number, (800) 227-8164, is available 6 am to 5 pm, Pacific standard time, Monday through Friday and (916) 785-8HOT for after-hours, weekends, and holidays. Hotline orders are normally delivered the following business day.

---

## Parts List Format

The following information is listed for each part:

1. The Hewlett-Packard part number.
2. The part number check digit (CD).
3. The total quantity (Qty) in the assembly. This quantity is given only once, at the first appearance of the part in the list.
4. The description of the part.
5. A five-digit code indicating a typical manufacturer of the part.
6. The manufacturer part number.

---

## Firmware-Dependent Part Numbers

Refer to Firmware Note: HP 856X Series, HP 85620A, and HP 85629B.



**Table 4-2. Reference Designations, Abbreviations and Multipliers (1 of 4)**

REFERENCE DESIGNATIONS					
A	Assembly	F	Fuse	RT	Thermistor
AT	Attenuator, Isolator, Limiter, Termination	FL	Filter	S	Switch
B	Fan, Motor	HY	Circulator	T	Transformer
BT	Battery	J	Electrical Connector (Stationary Portion), Jack	TB	Terminal Board
C	Capacitor	K	Relay	TC	Thermocouple
CP	Coupler	L	Coil, Inductor	TP	Test Point
CR	Diode, Diode Thyristor, Step Recovery Diode, Varactor	M	Meter	U	Integrated Circuit, Microcircuit
DC	Directional Coupler	MP	Miscellaneous Mechanical Part	V	Electron Tube
DL	Delay Line	P	Electrical Connector (Movable Portion), Plug	VR	Breakdown Diode (Zener), Voltage Regulator
DS	Annunciator, Lamp, Light Emitting Diode (LED), Signaling Device (Visible)	Q	Silicon Controlled Rectifier (SCR), Transistor, Triode Thyristor	W	Cable, Wire, Jumper
E	Miscellaneous Electrical Part	R	Resistor	X	Socket
				Y	Crystal Unit (Piezoelectric, Quartz)
				Z	Tuned Cavity, Tuned Circuit
ABBREVIATIONS					
A	Across Flats, Acrylic, Air (Dry Method), Ampere	BSC	Basic	CNDCT	Conducting, Conductive, Conductivity, Conductor
ADJ	Adjust, Adjustment	BTN	Button	CONT	Contact, Continuous, Control, Controller
ANSI	American National Standards Institute (formerly USASI-ASA)	C	Capacitance, Capacitor, Center Tapped, Cermet , Cold, Compression	CONV	Converter
ASSY	Assembly	CCP	Carbon Composition Plastic	CPRSN	Compression
AWG	American Wire Gage	CD	Cadmium, Card, Cord	CUP-PT	Cup Point
		CER	Ceramic	C W	Clockwise, Continuous Wave
		CHAM	Chamfer		
		CHAR	Character, Characteristic, Charcoal	D	
BCD	Binary Coded Decimal	CMOS	Complementary Metal Oxide Semiconductor	D	Deep, Depletion, Depth, Diameter, Direct Current
BD	Board, Bundle			DA	Darlington
BE-CU	Beryllium Copper				
BNC	Type of Connector				
BRG	Bearing, Boring				
3RS	Brass				

**Table 4-2. Reference Designations, Abbreviations, and Multipliers (2 of 4)**

ABBREVIATIONS					
DAP-GL	Diallyl Phthalate Glass	FT	Current Gain Bandwidth Product (Transition Frequency), Feet, Foot	JFET	Junction Field Effect Transistor
DBL	Double				K
DCDR	Decoder				
DEG	Degree				
D-HOLE	D-Shaped Hole	FXD	Fixed	K	Kelvin, Key, Kilo, Potassium
DIA	Diameter				
DIP	Dual In-Line Package		G		KNRLD Knurled
DIP-SLDR	Dip Solder				KVDC Kilovolts
D-MODE	Depletion Mode	GEN	General, Generator		Direct Current
DO	Package Type Designation	GND	Ground		
DP	Deep, Depth, Dia- metric Pitch, Dip	GP	General Purpose, Group		<b>L</b>
DP3T	Double Pole Three Throw		II	LED	Light Emitting Diode
DPDT	Double Pole Double Throw	H	Henry, High	LG	Length, Long
DWL	Dowell	HDW	Hardware	LIN	Linear, Linearity
	E	HEX	Hexadecimal, Hexagon, Hexagonal	LK	Link, Lock
E-R	E-Ring	HLCL	Helical	LKG	Leakage, Locking
EXT	Extended, Extension, External, Extinguish	HP	Hewlett-Packard Company, High Pass	LUM	Luminous
	F		I		M
F	Fahrenheit, Farad, Female, Film (Resistor), Fixed, Flange, Frequency	IC	Collector Current, Integrated Circuit	M	Male, Maximum, Mega, Mil, Milli, Mode
FC	Carbon Film/ Composition, Edge of Cutoff Frequency, Face	ID	Identification, Inside Diameter	MA	Milliamper
FDTHRU	Feedthrough	IF	Forward Current, Intermediate Frequency	MACH	Machined
FEM	Female	IN	Inch	MAX	Maximum
FIL-HD	Fillister Head	INCL	Including	MC	Molded Carbon Composition
FL	Flash, Flat, Fluid	INT	Integral, Intensity, Internal	MET	Metal, Metallized
FLAT-PT	Flat Point		J	MHZ	Megahertz
FR	Front			MINTR	Miniature
FREQ	Frequency	J-FET	Junction Field Effect Transistor	MIT	Miter
				MLD	Mold, Molded
				MM	Magnetized Material, Millimeter
				MOM	Momentary
				MTG	Mounting
				MTLC	Metallic
				MW	Milliwatt

**Table 4-2. Reference Designations, Abbreviations, and Multipliers (3 of 4)**

ABBREVIATIONS			
N		PLSTC	Plastic
		PNL	Panel
N	Nano, None	PNP	Positive Negative
N-CHAN	N-Channel		Positive (Transistor)
NH	Nanohenry	POLYC	Polycarbonate
NM	Nanometer,	POLYE	Polyester
	Nonmetallic	POT	Potentiometer
NO	Normally Open,	POZI	Pozidriv Recess
	Number	PREC	Precision
NOM	Nominal	PRP	Purple, Purpose
NPN	Negative Positive	PSTN	Piston
	Negative (Transistor:	PT	Part, Point,
NS	Nanosecond,		Pulse Time
	Non-Shorting, Nose	PW	Pulse Width
NUM	Numeric		
NYL	Nylon (Polyamide)		
	0	<b>Q</b>	
DA	Over- All	Q	Figure of Merit
DD	Outside Diameter		
DP AMP	Operational		
	Amplifier	R	Range, Red,
DPT	Optical, Option,		Resistance, Resistor:
	Optional		Right, Ring
	P	REF	Reference
		RES	Resistance, Resistor
PA	Picoampere, Power	RF	Radio Frequency
	Amplifier	RGD	Rigid
PAN-HD	Pan Head	RND	Round
PAR	Parallel, Parity	RR	Rear
PB	Lead (Metal),	RVT	Rivet, Riveted
	Pushbutton		
PC	Printed Circuit	<b>S</b>	
PCB	Printed Circuit	SAWR	Surface Acoustic
	Board		Wave Resonator
P-CHAN	P-Channel	SEG	Segment
PD	Pad, Power	SGL	Single
	Dissipation	SI	Silicon,
PF	Picofarad, Power		Square Inch
	Factor	SL	Slide, Slow
PKG	Package	SLT	Slot, Slotted
		SMA	Subminiature,
			A Type (Threaded
			Connector)
		SMB	Subminiature,
			B Type (Slip-on
			Connector)
		SMC	Subminiature,
			C-Type (Threaded
			Connector)
		SPCG	Spacing
		SPDT	Single Pole
			Double Throw
		SPST	Single Pole
			Single Throw
		SQ	Square
		SST	Stainless Steel
		STL	Steel
		SUBMIN	Subminiature
		SZ	Size
			T
			Teeth,
			Temperature,
			Thickness, Time,
			Timed, Tooth,
			Typical
		TA	Ambient
			Temperature,
			Tantalum
		<b>TC</b>	Temperature
			Coefficient
		THD	Thread, Threaded
		THK	Thick
		TO	Package Type
			Designation
		TGP	Tapping
		TR-HD	Truss Head
		TRMR	Trimmer
		TRN	Turn, Turns
		TRSN	Torsion

**Table 4-2. Reference Designations, Abbreviations, and Multipliers (4 of 4)**

ABBREVIATIONS					
	U		VAR	Variable	Y
			VDC	Volts-Direct Current	
UCD	Microcandela				YIG
UF	Microfarad				Yttrium-Iron-Garnet
UH	Microhenry		W		
UL	Microliter,				
	Underwriters' Laboratories, Inc.	W	Watt, Wattage, White, Wide, Width		<b>Z</b>
UNHDND	Unhardened	W/SW	With Switch		ZNR
		W W	Wire Wound		Zener
	V				
			X		
V	Variable, Violet, Volt, Voltage	X	By (Used with Dimensions),		
VAC	Vacuum, Volts—Alternating Current		Reactance		

MULTI PLIERS					
Abbreviation	Prefix	Multiple	Abbreviation	Prefix	Multiple
T	tera	10 <sup>12</sup>	m	milli	10 <sup>-3</sup>
G	giga	10 <sup>9</sup>	μ	micro	10 <sup>-6</sup>
M	mega	10 <sup>6</sup>	n	nano	10 <sup>-9</sup>
k	kilo	10 <sup>3</sup>	p	pico	10 <sup>-12</sup>
da	deka	10	f	femto	10 <sup>-15</sup>
d	deci	10 <sup>-1</sup>	a	atto	10 <sup>-18</sup>
c	centi	10 <sup>-2</sup>			

**Table 4-3. Manufacturers Code List (1 of 3)**

Mfr. Code	Manufacturer Name	Address	
CO633	RIFA AB	STOCKHOLM	SW
CI433	AB ELEKTRONICK GMBH	SALZBURG	AU
D8350	GROSS A	STUTTGART	GM
D8351	MARQUARDT GMBH	RIETHEIM	GM
D8439	ROEDERSTEIN/RESISTA GMBH	LANDSHUT	GM
K7253	STC/STANTEL	DEVON	EG
K8479	HOLSWORTHY ELECTRONICS LTD	HOLSWORTHY	EG
SO545	NEC ELECTRONICS INC	MTN VIEW	CA
SO562	TOSHIBA CORP	TOKYO	JP
00000	ANY SATISFACTORY SUPPLIER		
DO471	DOW-KEY CO INC	BROOMFIELD	WY
DO494	ADDRESSOGRAPH FARRINGTON	TREVOSE	PA
00779	AMP INC	HARRISBURG	PA US
00853	SANGAMO WESTON INC	NORCROSS	GA US
01121	ALLEN-BRADLEY CO INC	EL PASO	TX US
01295	TEXAS INSTRUMENTS INC	DALLAS	TX US
01686	RCL ELECTRONICS INC	NORTHBROOK	IL us
01766	INTL CRYSTAL MFG CO INC	OKLAHOMA CITY	OK
01961	PULSE ENGINEERING INC	SAN DIEGO	CA
32113	COILCRAFT INC	CARY	IL
02114	FERROXCUBE CORP	SAUGERTIES	NY US
02768	ITW FASTEX	DES PLAINES	IL
04222	AVX CORP	GREAT NECK	NY US
04713	MOTOROLA INC	ROSELLE	IL us
05791	LYN-TRON INC	BURBANK	CA
05972	LOCTITE CORP	NEWINGTON	CT
06001	MEPCO/ELECTRA INC	MORRISTOWN	NJ US
16132	COMPUTER TERMINAL CORP	SAN ANTONIO	TX
06156	BAUM W A CO INC	COPIAGUE	NY
06341	PRODUCTS/TECHNIQUES INC	LOS ANGELES	CA
06383	PANDUIT CORP	TINLEY PARK	IL us
06394	HOOVER UNIVERSAL INC BALL & RLR DIV	SALINE	MI
06424	SPERRY U-WAVE ELEK DIV SPERRY RAND	CLEARWATER	FL
06560	JEFFERS ELECTRONICS INC	NOGALES	AZ US
06665	PRECISION MONOLITHICS INC	SANTA CLARA	CA US
07047	MILTON ROSS CO	SOUTHAMPTON	PA
07263	FAIRCHILD SEMICONDUCTOR CORP	CUPERTINO	CA US
07933	RAYTHEON CO SEMICONDUCTOR DIV HQ	MOUNTAIN VIEW	CA
09023	CORNELL-DUBILIER/SANGAMO	WAYNE	NJ
09795	DIXON INDUSTRIES CORPORATION	BRISTOL	RI
09922	BURNDY CORP	NORWALK	CT
11236	CTS CORP	ELKHART	IN
11502	IRC INC	BOONE	NC US

**Table 4-3. Manufacturers Code List (2 of 3)**

Mfr. Code	Manufacturer Name	Address
15542	MINI-CIRCUITS LAB	BROOKLYN NY US
15801	FENWAL ELECTRONICS INC	SADDLE BROOK NJ
15818	TELEDYNE SEMICONDUCTOR	MOUNTAIN VIEW CA
16179	M/A-COM INC	BURLINGTON MA US
16299	CORNING ELECTRONICS	RALEIGH NC US
16428	COOPER INDUSTRIES INC	HOUSTON TX
17856	SILICONIX INC	SANTA CLARA CA US
18324	SIGNETICS CORP	SUNNYVALE CA US
18612	VISHAY INTERTECHNOLOGY INC	MALVERN PA
18873	DUPONT E I DE NEMOURS & CO	WILMINGTON DE US
19701	MEPCO/CENTRALAB INC	WEST PALM BEACH FL US
2M627	ROHM CORP	IRVINE CA US
24022	TELEDYNE INC	LOS ANGELES CA US
24226	GOWANDA ELECTRONICS CORP	GOWANDA NY US
24355	ANALOG DEVICE INC	NORWOOD MA US
25403	NV PHILIPS ELCOMA	EINDHOVEN NE
27014	NATIONAL SEMICONDUCTOR CORP	SANTA CLARA CA US
28480	HP DIV 01 SAN JOSE COMPONENTS	SAN JOSE CA
29005	STORM PRODUCTS CO	LOS ANGELES CA
30043	SOLID STATE DEVICES INC	LA MIRADA CA
3L585	RCA CORP	NEW YORK NY US
10161	AAVID ENGINEERING INC	LACONIA NH US
12159	WEST-CAP ARIZONA	SAN FERNANDO CA US
32293	INTERSIL INC	CUPERTINO CA US
32997	BOURNS INC	RIVERSIDE CA US
33096	COLORADO CRYSTAL CORP	LOVELAND c o
33399	TELE-TECH CORP	BOZEMAN MT US
34335	ADVANCED MICRO DEVICES INC	SUNNYVALE CA US
34371	HARRIS CORP	MELBOURNE FL US
34649	INTEL CORP	SANTA CLARA CA US
34899	FAIR RITE PRODUCTS CORP	WALLKILL NY
4G819	OVERLAND PRODUCTS CORP	PHOENIX AZ
50157	MIDWEST COMPONENTS	MUSKEGON MI
52063	EXAR INTEGRATED SYSTEMS INC	SUNNYVALE CA
52763	STETTNER & CO	LAUF GM
55719	SNAP-ON TOOLS CORP	KENOSHA WI us
55210	GETTIG ENGRG & MFG CO INC	SPRING MILLS PA
55285	BERGWUIST CO	MINNEAPOLIS MN
55322	SAMTEC	NEW ALBANY IN
55680	VICHICON (AMERICA) CORP	SCHAUMBERG IL us
56289	SPRAGUE ELECTRIC CO	LEXINGTON MA US

**Table 4-3. Manufacturers Code List (3 of 3)**

Mfr. Code	Manufacturer Name	Address	
6E259	AMETEK INC	PAOLI	PA US
70276	ALLEN MFG CO	HARTFORD	CT
71744	GENERAL INSTRUMENT CORP	CLIFTON	NJ
71984	DOW CORNING CORP	MIDLAND	MI
72228	CONTINENTAL SCREW CO DIV OF AMCA	BEDFORD	MA
73138	BECKMAN INDUSTRIAL CORP	FULLERTON	CA US
76381	3M CO	ST PAUL	MN US
78553	EATON CORP	CLEVELAND	OH
83701	ELECTRONIC DEVICES INC	YONKERS	NY
84411	AMERICAN SHIZUKI CORP	CONOGA PARK	CA US
9M011	INTL RECTIFIER CORP	LOS ANGELES	CA US
9N171	UNITRODE CORP	LEXINGTON	MA US
91506	AUGAT INC	MANSFIELD	MA
91637	DALE ELECTRONICS INC	COLUMBUS	NE US
92194	ALPHA WIRE CORP	ELIZABETH	NJ
92895	AMERICAN OIL & SUPPLY CO	NEWARK	NJ
96900	HARDMAN INC	BELLEVILLE	NJ
98978	INTL ELECTRONIC RESEARCH CORP	BURBANK	CA
98291	SEAELECTRO CORP	TRUMBULL	CT US
99800	AMER PRCN IND INC DELEVAN DIV	AURORA	NY
01561	CHASSIS TRAK DIV GENERAL DEVICES CO	INDIANAPOLIS	IN
10183	GRAHAM MAGNETICS INC	FT WORTH	TX US
11591	STUART RADIATOR CO	SAN FRANCISCO	CA
16179	M/A-COM INC	BURLINGTON	MA US
16428	COOPER INDUSTRIES INC	HOUSTON	TX US
24022	TELEDYNE INC	LOS ANGELES	CA US
24931	SPECIALTY CONNECTOR CO	FRANKLIN	IN US

**Table 4-4. Replaceable Parts**

Reference Designation	HP Part Number	C	Qty	Description	Mfr Code	Mfr Part Number
				ACCESSORIES SUPPLIED		
	1810-0118	1	1	TERMINATION-COAXIAL SMA; 0.5W; 50Ω	16179	2003-6113-O2
	1250-0780	5	1	ADAPTER-COAX F-BNC M-N	24931	29JP104-2
	HP 10502A	9	1	50Ω COAX CABLE WITH BNC MALE	28480	HP 10502A
	8120-2682	2	1	CABLE ASSY-COAX 50Ω 30 PF/FT	28480	8120-2682
	8710-1755	9	3	WRENCH-HEX KEY	55719	AWML4
				OPTION 908		
	5062-0800	5	1	RACK KIT WITH FLANGES (Includes Parts Listed Below)		
	5001-8739	7	2	PANEL-DRESS	28480	5001-8739
	5001-8740	0	2	PANEL-SUB	28480	5001-8740
	5001-8742	2	2	SUPPORT-REAR	28480	5001-8742
	5021-5807	6	2	FRAME-FRONT	28480	5021-5807
	5021-5808	7	2	FRAME-REAR	28480	5021-5808
	5021-5836	1	5	CORNER-STRUT	28480	5021-5836
	0510-1148	2	10	RETAINER-PUSH-ON KB-TO-SHFT EXT	11591	669
	3515-0886	3	16	SCREW-MACH M3 x 0.5 GMM-LG PAN-HD	28480	0515-0886
	3515-0887	4	8	SCREW-MACH M3.5 x 0.6 GMM-LG PAN-HD	28480	0515-0887
	3515-0889	6	12	SCREW-MACH M3.5 x 0.6 GMM-LG	28480	0515-0889
	3515-1241	6	8	SCREW-MACH M5 x 0.8 12 MM-LG PAN-HD	28480	0515-1241
	3515-1331	5	22	SCREW-METRIC SPECIALTY M4 x 0.7 THD; 7MM	28480	0515-1331
	5061-9679	2	2	MOUNT FLANGE	28480	5061-9679
	1515-1114	2	6	SCREW-MACH M4 x 0.7 10MM-LG PAN-HD	28480	1515-1114
	3710-1755	3		WRENCH-HEX KEY	55719	AWML4
	5958-6573	0	2	ASSEMBLY INSTRUCTIONS	28480	5958-6573
				OPTION 909		
	5062-1900	8	1	RACK KIT WITH FLANGES AND HANDLES (Includes Parts Listed Below)		
	5001-8739	7		PANEL-DRESS	28480	5001-8739
	5001-8740	0		PANEL-SUB	28480	5001-8740
	5001-8742	2		SUPPORT-REAR	28480	5001-8742
	5021-5807	6		FRAME-FRONT	28480	5021-5807
	5021-5808	7		FRAME-REAR	28480	5021-5808
	5021-5836	1		CORNER-STRUT	28480	5021-5836
	0510-1148	2		RETAINER-PUSH-ON KB-TO-SHFT EXT	11591	669
	0515-0886	3		SCREW-MACH M3 x 0.5 GMM-LG PAN-HD	28480	0515-0886
	0515-0887	4		SCREW-MACH M3.5 x 0.6 GMM-LG PAN-HD	28480	0515-0887



**Table 4-4. Replaceable Parts (continued)**

Reference Designation	HP Part Number	C D	Qty	Description	Mfr Code	Mfr Part Number
	<b>0515-0889</b>		6	SCREW-MACH M3.5 x 0.6 6MM-LG	28480	0515-0889
	0515-1241		6	SCREW-MACH M5 x 0.8 12MM-LG PAN-HD	28480	0515-1241
	0515-1331		5	SCREW-METRIC SPECIALTY M4 x 0.7 THD; 7MM	28480	0515-1331
	5061-9501		9 2	FRONT HANDLE ASS'Y	28480	5061-9501
	5061-9685		0 2	MOUNT FLANGE	28480	5061-9685
	0515-1106		2 6	SCREW-MACH M4 x 0.7 16MM-LG PAN-HD	28480	0515-1106
	8710-1755		9	WRENCH-HEX KEY	55719	AWML4
	5958-6573		0	ASSEMBLY INSTRUCTIONS	28480	5958-6573
				RACK SLIDE KIT		
	1494-0060		0 1	SLIDE-CHAS 25-IN-LG 21.84-IN-TRVL  (Includes Parts Listed Below. Slides Cannot be Ordered Separately.)	01561	C858-2
	0515-0949		9 4	SCREW-MACH M5 x 0.8 14MM-LG PAN-HD	28480	0515-0949
	0515-1013		0 9	SCREW-MACH M4 x 0.7 12MM-LG	28480	3515-1013
	0515-0909		1 4	SCREW-MACH M4 x 0.7 12MM-LG PAN-HD	28480	3515-0909
	0535-0080		1 8	NUT-CHANNEL M4 x 0.7 3.5MM-THK 10.3MM-WD	28480	3535-0080
				MAJOR ASSEMBLIES		
A1	38560-60052		7 1	FRONT FRAME ASSEMBLY	28480	38560-60052
	38560-60053		8 1	FRONT FRAME ASSEMBLY (OPT 002)	28480	38560-60053
				(The A1 assembly includes the front frame, front faceplate, front-panel keys, and other hardware. Refer to Figure 4-5 for individual part numbers.)		

**Table 4-4. Replaceable Parts (continued)**

Reference Designation	HP Part Number	C D	Qty	Description	Mfr Code	Mfr Part Number
A1A1	See Tbl A-1		1	BD AY-KEYBOARD	28480	See Tbl A-1
A1A2	0960-0745	6	1	RPG ASSEMBLY (Includes Cable)	28480	0960-0745
A2	See Tbl A-1		1	CONTROLLER ASSEMBLY *	28480	See Tbl A-1
A3	See Tbl A-1		1	INTERFACE ASSEMBLY	28480	See Tbl A-1
A4	See Tbl A-1		1	LOG AMPLIFIER ASSEMBLY *	28480	See Tbl A-1
A5	See Tbl A-1		1	IF FILTER ASSEMBLY	28480	See Tbl A-1
A6	See Tbl A-1		1	POWER SUPPLY ASSEMBLY * (DOES NOT INCLUDE A6A1)	28480	See Tbl A-1
A6A1	5062-7089	6	1	HIGH VOLTAGE ASSEMBLY	28480	5062-7089
A7	5086-7744	0	1	FIRST LO DISTRIBUTION AMPLIFIER	28480	5086-7744
	5086-6744	8		REBUILT A7, EXCHANGE REQUIRED	28480	5086-6744
A8	5086-7748	4	1	LOW BAND MIXER	28480	5086-7748
	5086-6748	2		REBUILT LOW BAND MIXER	28480	5086-6748
A9	5086-7822	5	1	PORT ATTEN 22 GHz	28480	5086-7822
	5086-6822	3		REBUILT A9, EXCHANGE REQUIRED	28480	5086-6822
A10 (Opt. 002)	5086-7799	5	1	TRACKING GENERATOR	28480	5086-7799
	5086-6799	3		REBUILT A10, EXCHANGE REQUIRED	28480	5086-6799
A11	5086-7781	5	1	PORTABLE LVLD YTO	28480	5086-7781
	5086-6781	3		REBUILT A11, EXCHANGE REQUIRED	28480	5086-6781
A12				NOT ASSIGNED		

\* These board assemblies are part of the rebuilt board exchange program. To order a rebuilt board, use the same number as that of the new board with the exception of the 7th digit which should be a 9. Example: New board number is 08562-60094. Therefore, the rebuilt board number will be 08562-69094.

**Table 4-4. Replaceable Parts (continued)**

Reference Designation	HP Part Number	C D	Qty	Description	Mfr Code	Mfr Part Number
A13	5086-7812	3	1	SECOND CONVERTER	28480	5086-7812
A14	See Tbl A-1		1	FREQUENCY CONTROL ASSEMBLY (Includes A14A101, 102, and 103)	28480	See Tbl A-1
A15	See Tbl A-1		1	RF ASSEMBLY	28480	See Tbl A-1
(Opt. 001)	See Tbl A-1		1	RF ASSEMBLY	28480	See Tbl A-1
(Opt. 002)	See Tbl A-1		1	RF ASSEMBLY	28480	See Tbl A-1
(Opt. 003)	See Tbl A-1		1	RF ASSEMBLY	28480	See Tbl A-1
(Opt. 012)	See Tbl A-1		1	RF ASSEMBLY	28480	See Tbl A-1
(Opt. 013)	See Tbl A-1		1	RF ASSEMBLY	28480	See Tbl A-1
(Opt. 023)	See Tbl A-1		1	RF ASSEMBLY	28480	See Tbl A-1
(Opt. 123)	See Tbl A-1		1	RF ASSEMBLY	28480	See Tbl A-1
A15A1	5086-7751	3	1	SECOND IF AMP	28480	5086-7751
A15A2	5086-7750	3	1	SAMPLER	28480	5086-7750
A16	See Tbl A-1		1	CAL OSCILLATOR ASSEMBLY	28480	See Tbl A-1
A17	See Tbl A-1		1	CRT DRIVER ASSEMBLY	28480	See Tbl A-1
A18				CRT ASSEMBLY (Order by Individual Parts)		
A18MP1	5062-7097	3	1	CRT WIRING ASSEM. (Includes Shield A18L1, and A18W1)	28480	5062-7097
A18MP2	5041-3987		1	SPACER, CRT	28480	5041-3987
A18V1	2090-0225		1	TUBE, CRT 6.7 IN	28480	2090-0225
A18W1				CABLE ASSEMBLY, TWO WIRE, TRACE ALIGN (P/O A18MP1, A17J5 to A18L1)		
A19	See Tbl A-1		1	HP-IB ASSEMBLY	28480	See Tbl A-1
A19W1	5061-9031		1	CABLE ASSEMBLY, RIBBON, HP-IB (A2J5 to Rear Panel J2)	28480	5061-9031
A20	5062-7755		1	BATTERY ASSY (Includes W6, BT1)	28480	5062-7755
A21 (Opt. 003)	1813-0644		1	OCXO 10.0 MHz	28480	1813-0644

**Table 4-4. Replaceable Parts (continued)**

Reference Designation	HP Part Number	C	Qty	Description	Mfr Code	Mfr Part Number
B1	<b>5061-9036</b>	5	1	FAN ASSEMBLY (Includes Wire)	28480	5083-9036
BT1	1420-0341	5	1	BATTERY 3.0 V 1.2 A-HR LITHIUM POLYCARBON MONOFLORIDE; BUTTON TERMINATIONS	08709	BR 213 A 55P
F1	2110-0709	3	1	THIONYL FUSE 5A 250V NTD FE IEC (230 VAC Operation)	16428	GDA-5
F1	21 10-0756	0	1	FUSE 5A 125V NTD UL (115 VAC Operation)	28480	2110-0756
FL1	0955-0420	3	1	LOW PASS FILTER	28480	0955-042
FL2	0135-0307	6	1	LOW PASS FILTER, A8J2 TO A13J1 (SERIAL PREFIX 3029A and BELOW)	28480	9135-0307
FL2	0955-0519	1	1	LOW PASS FILTER, 4.4 GHz (SERIAL PREFIX 3031A and ABOVE)	28480	0955-0519
FL3	5061-9032	1	1	LINE FILTER ASSEMBLY	28480	5061-9032
LS1	9160-0282	9	1	LOUDSPEAKER 2.5 IN SQ (Part of W5)	28480	9160-0282
				<b>CHASSIS MECHANICAL PARTS</b> (See Figures 4-1 through 4-6 for a complete listing of mechanical chassis parts.)		
				<b>ASSEMBLY SHIELDS</b>		
A3 Assembly	5021-6723	7	1	PEAK DETECTOR (TOP)	28480	5021-6723
	5021-6724	8	1	PEAK DETECTOR (BOTTOM)	28480	5021-6723
	0515-2080	8	2	SCREW M2.5 14L	28480	0515-2080
	0515-1486	9	10	SCREW M2.5 9.5L	28480	0515-1486
	0905-0375	2	12	O-RING .070ID	28480	0905-0375
	2190-0583	9	12	WSHR LK M2.5ID	28480	2190-0583

**Table 4-4. Replaceable Parts (continued)**

Reference Designation	HP Part Number	C I	Qty	Description	Mfr Code	Mfr Part Number
ASSEMBLY SHIELDS (continued):						
A4 Assembly	5021-9913	8	1	AMP 1 (BOTTOM)	28480	5021-9913
	5021-9912	7	1	AMP 1 (TOP)	28480	5021-9912
	5021-9914	9	1	AMP 2 (TOP)	28480	5021-9914
	5021-9915	a	1	AMP 2 (BOTTOM)	28480	5021-9915
	0515-1486	1	4	SCREW SMM 2.5 10 PNTROX	28480	0515-1486
	0515-2080	8	24	SCREW M2.5 14L	28480	0515-2080
	2190-0583	9	24	WSHR LK M2.5ID	28480	2190-0583
	0905-0375	2	24	O-RING .070ID	28480	0905-0375
A5 Assembly	5021-6729	3	1	IF 1 (TOP)	28480	5021-6729
	5021-6730	6	1	IF 1 (BOTTOM)	28480	5021-6730
	5021-6731	7	1	IF 2 (TOP)	28480	5021-6731
	5021-6732	8	1	IF 2 (BOTTOM)	28480	5021-6732
	0515-2081	3	16	SCREW 5MM 2.5 16 PNPDS	28480	0515-2081
	0905-0375	2	16	D-RING .070ID	28480	0905-0375
	2190-0583	9	16	WSHR LK M2.5ID	28480	2190-0583
	114 Assembly	5021-6733	9	1	RLR OSC (TOP)	28480
5021-6734		0	1	RLR OSC (BOTTOM)	28480	5021-6734
3515-0951		3	13	SCREW 5MM 2.5 16 PNPDS	28480	3515-0951
0905-0375		2	13	O-RING .070ID	28480	0905-0375
2190-0583		9	13	WSHR LK M2.5ID	28480	2190-0583
A15 Assembly	5021-6735	1	1	REF (TOP)	28480	5021-6735
	5021-6736	2	1	REF (BOTTOM)	28480	5021-6736
	5021-6737	3	1	SYNTHZR (TOP)	28480	5021-6737
	5021-6738	4	1	SYNTHZR (BOTTOM)	28480	5021-6738
	5021-6739	5	1	SIGPATH (TOP)	28480	3515-6739
	5021-6740	8	1	SIGPATH (BOTTOM)	28480	0905-6740
	5002-0631	4	1	BRACE, RF BD	28480	5002-0631
	0515-2081	3	2	SCREW	28480	0515-2081
	1515-2081	3	31	SCREW 5MM 2.5 16 PNPDS	28480	1515-2081
	0905-0375	2	33	O-RING .070ID	28480	0905-0375
2190-0583	9	31	WSHR LK M2.5 ID	28480	2190-0583	

**Table 4-4. Replaceable Parts (continued)**

Reference Designation	HP Part Number	C D	Qty	Description	Mfr Code	Mfr Part Number
CABLE ASSEMBLIES						
W1	5061-9024	1	1	POWER CABLE, RIBBON	28480	5061-9024
w 2	5061-9025	2	1	CONTROL CABLE, RIBBON	28480	5061-9025
w 3	5062-0728	6	1	CABLE ASSEMBLY LINE SWITCH	28480	5062-0728
w 4	5061-9033	2	1	CABLE ASSEMBLY, RIBBON, OPTION MODULE (A2J6 to Rear Panel J3)	28480	5061-9033
W5	5062-4838	7	1	CABLE ASSEMBLY, HEADPHONE	28480	5062-4838
W6	5062-7755	3	1	CABLE ASSEMBLY, BATTERY (A2J9 to Rear Panel Battery Holder)	28480	5062-7755
w 7	5061-9034	3	1	CABLE ASSEMBLY, RIBBON, DISPLAY (A2J3 to A17J1)	28480	5061-9034
W8	5061-9030	9	1	CABLE ASSEMBLY, DISPLAY POWER (A6J4 to A17J2)	28480	5061-9030
W9	5062-6482	1	1	CABLE ASSEMBLY, CRT, YOKE (A17J3 and J7 to A18V1)	28480	5062-6482
W10	5062-0742	4	1	CABLE ASSEMBLY, RIBBON, All YTO DRIVE (A14J3 to A11J1)	28480	5062-0742
W11	5062-0741	3	1	CABLE ASSEMBLY, RIBBON, A9 ATTEN. DRIVE (A14J6 to A9)	28480	5062-0741
W12	5062-0740	2	1	CABLE ASSEMBLY, A7 LODA 'DRIVE (A14J10, to A7) Part of Cable Assembly- Microcircuit, 08562-60045)	28480	5062-0740
w 13	5062-0743	5	1	CABLE ASSEMBLY, RIBBON, A13 2ND CONV DRIVE (A14J12 to A13) (Part of Cable Assembly-Microcircuit, 08562-60045)	28480	5062-0743
w 14 (Opt. 002)	08560-60002	7	1	CABLE ASSEMBLY, RIBBON, A10 CONTROL SIGNAL (A14J13 to A10)	28480	08560-60002
w 15				NOT ASSIGNED		

**Table 4-4. Replaceable Parts (continued)**

Reference Designation	HP Part Number	C	Qty	Description	Mfr Code	Mfr Part Number
W16 (Opt. 002)	08560-60001	6	1	CABLE ASSEMBLY, A10 ALC EXT (Rear Panel J11 to A10)	28480	08560-60001
W18	5062-0721	8	1	CABLE ASSEMBLY, COAX 97, LO SWEEP 0.5 V/GHz (A14J7 to Rear Panel J8)	28480	5062-0721
W19 (Opt. 001)	5062-0723	1	1	CABLE ASSEMBLY, COAX 83, 2ND IF OUT (A15J803 to Rear Panel J10)	28480	5062-0723
W20	5062-0717	3	1	CABLE ASSEMBLY, COAX 6,0 SPAN VIDEO (A3J103 to A2J4)	28480	5062-0717
w22	5062-0709	3	1	CABLE ASSEMBLY, COAX 0, 10 MHz FREQ. COUNT (A15J302 to A2J8)	28480	5062-0709
W23	5062-0719	5	1	CABLE ASSEMBLY, COAX 93, EXT TRIG IN (Rear Panel J5 to A3J600)	28480	5062-0719
W24	5062-0720	8	1	CABLE ASSEMBLY, COAX, 5 VIDEO OUT (A3J102 to Rear Panel J4)	28480	5062-0720
W25	5062-0718	4	1	CABLE ASSEMBLY, COAX 4, BLANKING OUT (A3J601 to Rear Panel J6)	28480	5062-0718
W27	5062-0714	3	1	CABLE ASSEMBLY, FILTER 10.7 MHz (A5J5 to A4J3)	28480	5062-0714
w29	5062-0711	7	1	CABLE ASSEMBLY, COAX 7, 10.7 IF (A15J601 to A5J3)	28480	5062-0711
w31	5062-0722	3	1	CABLE ASSEMBLY, COAX 8, REF IN/OUT (A15J301 to Rear Panel J9)	28480	5062-0722
W32	5062-0705	3	1	CABLE ASSEMBLY, COAX 87, SAMPLER IF (A15J101 to A14J101)	28480	5062-0705
w33	5062-0706	3	1	CABLE ASSEMBLY, COAX 81, 2ND LO DRIVE (A15J701 to A13J4)	28480	5062-0706
w34	8120-5446	2	1	CABLE ASSEMBLY, COAX 0, 1ST LO SAMP. (A7J4 to A15A2J1)	28480	8120-5446

**Table 4-4. Replaceable Parts (continued)**

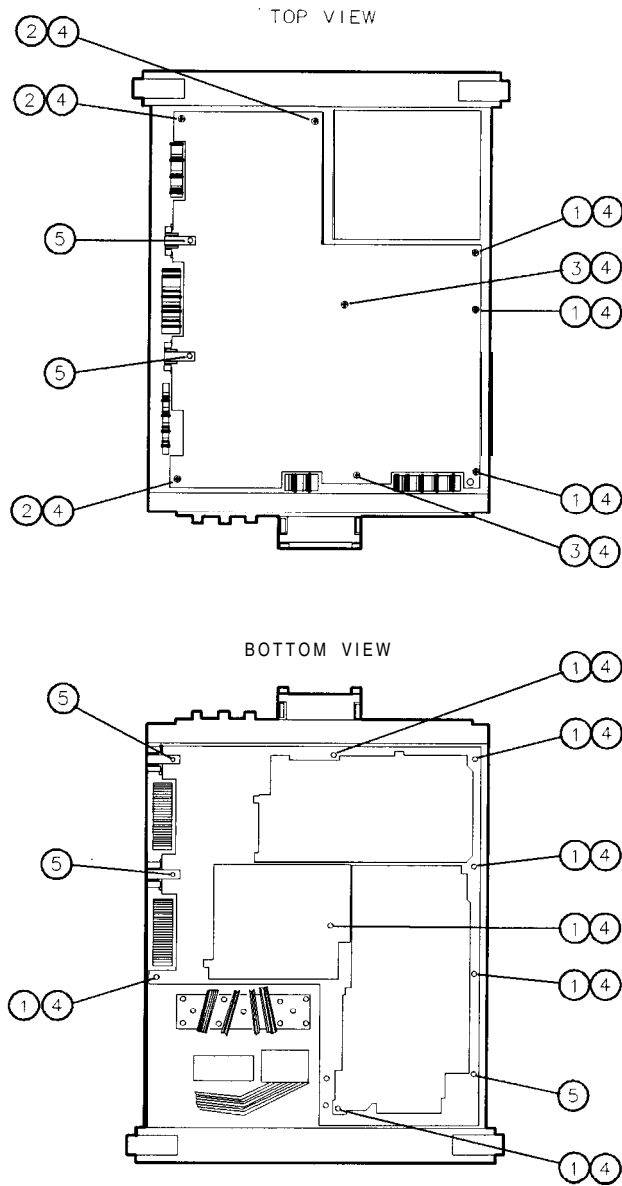
Reference Designation	HP Part Number	C D	Qty	Description	Mfr Code	Mfr Part Number
w35	5062-0710	6	1	CABLE ASSEMBLY, COAX 92, INT 2ND IF (A13J2 to A15J801)	28480	5062-0710
W36	5062-0725	3	1	CABLE ASSEMBLY, COAX 86, EXT 2ND IF (Front Panel J3 to A15J802)	28480	5062-0725
w37	5062-0707	1	1	CABLE ASSEMBLY, COAX 85,10 MHz REF 1 (A15J303 to A14J301)	28480	5062-0707
W38	08560-20005	6	1	CABLE ASSEMBLY, SEMI-RIGID, LO IN (A11J2 to A7J1)	28480	08560-20005
w39	08560-20006	7	1	CABLE ASSEMBLY, SEMI-RIGID, 1ST MIXER OUT (A7J2 to A8J3)	28480	08560-20006
W40	5062-0724	2	1	CABLE ASSEMBLY, COAX 89, CAL OUT (A15J501 to Front Panel J5)	28480	5062-0724
w41	5021-8635	4	1	CABLE ASSEMBLY, SEMI-RIGID, RF INPUT (Front panel J 1 to A9J1)	28480	5021-8635
W42	5021-6705	5	1	CABLE ASSEMBLY, SEMI-RIGID, 1ST LO OUT (A7J3 to Front Panel J4)	28480	5021-6705
w43 (Opt. 002)	08560-20001	2	1	CABLE ASSEMBLY, SEMI-RIGID, A10 LO IN (A10 to A7J3)	28480	08560-20001
w44	08560-20004	5	1	CABLE ASSEMBLY, SEMI-RIGID (A9 to FL1J1)	28480	08560-20004
w45	5021-6706	6	1	CABLE ASSEMBLY, SEMI-RIGID (FL1J2 to A8J1)	28480	5021-6706
W46 (Opt. 002)	38560-20002	3	1	CABLE ASSEMBLY, SEMI-RIGID, A10 LO OUT (A10 to Front Panel J4)	28480	08560-20002
w47 (Opt. 002)	38560-20003	4	1	CABLE ASSEMBLY, SEMI-RIGID, A10 RF OUT (A10 to Front Panel J6)	28480	08560-20003
W48 (Opt. 002)	38560-60003	3	1	CABLE ASSEMBLY, COAX 80, A10 600 MHz (A155702 to A10)	28480	08560-60003
v49 (Opt. 003)	5062-4892	3	1	CABLE ASSEMBLY, COAX 82, A21 OCXO (A21 to A15J305)	28480	5062-4892
V50 (Opt. 003)	5062-4891	2	1	CABLE ASSEMBLY, OCXO DRIVE (A21 to A15J306)	28480	5062-4891



**Table 4-4. Replaceable Parts (continued)**

Reference Designation	HP Part Number	C D	Qty	Description	Mfr Code	Mfr Part Number
w51	5062-6478	5	1	CABLE ASSEMBLY, COAX 84, 10 MHz REF2 (A15J304 to A4J7)	28480	5062-6478
W52	5062-6477	4	1	CABLE ASSEMBLY, COAX 9, 10.7 MHz CAL SIG (A5J4 to A4J8)	28480	5062-6477
w53	5062-6476	3	1	CABLE ASSEMBLY, COAX 1, FREQ COUNTER (A2J7 to A4J5)	28480	5062-6476
w54	5062-6475	3	1	CABLE ASSEMBLY, COAX 2, VIDEO (A3J101 to A4J4)	28480	5062-6475
W55	5062-6471	8	1	CABLE ASSEMBLY, AUDIO (A4J6 to LSI J1 and Rear Panel J3)	28480	5062-6471
W56	5022-0049	0	1	CABLE ASSEMBLY, SEMI-RIGID (A8J2 to FL2, Serial Prefix 3031A and Above)	28480	5022-0049
w57	5022-0050	3	1	CABLE ASSEMBLY, SEMI-RIGID (FL2 to A13J1, Serial Prefix 3031A and Above)	28480	5022-0050





SK154

Item	HP Part Number	C	D	Qty	Description	Mfr Code	Mfr Part Number
1	0515-1323	5	11		SCREW-MACH M3 x 0.5 30MM-LG PAN-HD	28480	0515-1323
2	0515-1646	5	3		SCREW-MACH M3 x 0.5 60MM-LG PAN-HD	28480	0515-1646
3	0515-1647	6	2		SCREW-MACH M3 x 0.5 100MM-LG PAN-HD	28480	0515-1647
4	3050-0105	6	15		WASHER-FL MTLT NO. 4 .125-IN-ID	28480	3050-0105
5	0515-0886	3	13		SCREW-MACH M3 x 0.5 6MM-LG PAN-HD	28480	0515-0886

Figure 4-1. Parts Identification, Assembly Mounting



**Parts List, Cover Assembly (See Figure 4-2)**

Item	HP Part Number	C D	Qty	Description	Mfr Code	Mfr Part Number
1	5041-8911	1	1	BAIL HANDLE	28480	5041-8911
2	5041-8912	2	2	TRIM CAP	28480	5041-8912
3	0515-1114	2	4	SCREW MACH M4 X 0.7 10MM-LG PAN-HD	28480	0515-1114
4	1460-2164	0	2	SPRING-CPRSN .845 IN-OD 1.25-1N-OA-LG	28480	1460-2108
5	5021-6343	7	2	RING GEAR	28480	5021-6343
6	5021-6344	8	2	SOCKET GEAR	28480	5021-6344
7	5021-8667	2	2	HANDLE PLATE	28480	5021-8667
8	5001-8728	4	2	BACKUP PLATE	28480	5001-8728
9	0515-1367	0	6	SCREW MACH M4 X 0.7 8MM-LG 90DEG-FLH-HD	28480	0515-1397
10	0515-1133	5	2	SCREW-MACH M5 X 0.8 16MM-LG	28480	0515-1133
11	5001-8800	3	1	COVER	28480	5001-8800
12	5041-7238	3	1	MOISTURE DEFLECTOR-LF	28480	5041-7238
13	5041-3989	3	1	MOISTURE DEFLECTOR-RT	28480	5041-3989
14	5041-8913	3	2	SIDE TRIM	28480	5041-8913
15	0515-1114	2	2	SCREW-MACH M4 X 0.7 10MM-LG PAN-HD	28480	0515-1114
16	5041-8907	5	2	REAR FOOT	28480	5041-8907
17	0900-0024	8	4	O-RING .145-1N-XSECT-DIA SIL	51633	A5568-007
18	2190-0587	3	4	WASHER-LK HLCL 5.0 MM 5.1-MM-ID	28480	2190-0587
19	0515-1218	7	4	SCREW-SKT-HD-CAP M5 X 0.8 40MM-LG	28480	0515-1218
20	08562-80028	1	1	INSULATOR 292 X 355 MM .51 THK	28480	08562-80028



**Parts List, Main Chassis (See Figure 4-3)**

<b>Item</b>	<b>HP Part Number</b>	<b>C</b>	<b>Qty</b>	<b>Description</b>	<b>Mfr Code</b>	<b>Mfr Part Number</b>
1	0515-1079	3	4	SCREW-MACH M3 X 0.5 8MM-LG PAN-HD SEM	28480	0515-1079
2	5180-9023	2	3	SMM 3.0 35 PCPDS	28480	5180-9023
3	0515-1826	0	3	SCREW-MACH M3 X 0.5 35MM-LG PAN-HD SEM	28480	0515-1826
4	3050-0891	7	3	WASHER-FL MTLN NO.4 .125-IN-IO	28480	3050-0891
5	5063-0249	7	1	COVER, A6 POWER SUPPLY (Includes label)	28480	5063-0249
6	0515-1590	8	3	SCREW-MACH M3 X 0.5 45MM-LG	28480	0515-1590
7	5041-7246	3	1	BOARD MOUNT	28480	5041-7246
8	0515-1079	3	4	SCREW-MACH M3 X 0.5 8MM-LG PAN-HD SEM	28480	0515-1079
9	5041-8961	1	1	COVER, A17	28480	5041-8961
10	5021-5486	7	2	CRT MOUNT	28480	5021-5486
11	5001-5870	1	2	CRT MOUNT STRAP	28480	5001-5870
12	3050-0891	7	3	WASHER-FL MTLN NO.4 .125-IN-ID	28480	3050-0891
13	0515-1079	3	4	SCREW-MACH M3 X 0.5 8MM-LG PAN-HD SEM	28480	0515-1079
14	5001-8705	7	1	MAIN DECK	28480	5001-8705
15	5001-5872	3	1	FRONT END DECK	28480	5001-5872
16	0515-1367	7	4	SCREW-MACH M4 X 0.7 8MM-LG SODEG-FLH-HD	28480	0515-1367
17	0515-1461	9	2	SCREW MACH M3 X 0.5 GMM-LG SOOEG-FLH-HD	28480	0515-1461
18	5021-7464	5	1	SIDE FRAME	28480	5021-7464
19	0515-1367	7	4	SCREW-MACH M4 X 0.7 8MM-LG SOOEG-FLH-HD	28480	0515-1367
20	0515-1461	9	2	SCREW MACH M3 X 0.5 GMM-LG SODEG-FLH-HD	28480	0515-1461
21	0515-1461	9	2	SCREW MACH M3 X 0.5 GMM-LG SODEG-FLH-HD	28480	0515-1461
22	0515-1461	9	2	SCREW MACH M3 X 0.5 GMM-LG SODEG-FLH-HD	28480	0515-1461
23	5021-5484	5	5	MOUNTING POST	28480	5021-5484
24	5062-0750	4	2	HINGE, 2 BOARD	28480	5062-0750
25	5062-0751	5	2	HINGE, 4 BOARD	28480	5062-0751
26	5041-7250	9	1	CABLE CLAMP	28480	5041-7250
27	0515-1010	7	2	SCREW-MACH M3 X 0.5 35MM-LG	28480	0515-1010
28	0515-1461	2	2	SCREW-MACH M3 X 0.5 GMM-LG SODEG-FLH-HD	28480	0515-1461
29	5181-5040	7	1	LABEL, ASSEMBLY LOCATIONS	28480	5181-5040
A18MP1	5062-7095	4	1	CRT WIRING ASSY (INCLUDES A18L1, A18W1)	28480	5062-7095
A18MP2	5041-3987	1	1	SPACER, CRT	28480	5041-3987
A18V1	2090-0225	4	1	TUBE, CRT	28480	2090-0225
A18W1				P/O A18MP1		





**Parts List, RF Section (See Figure 4-4)**

Item	HP Part Number	C	D	Qty	Description	Mfr Code	Mfr Part Number
1	0515-0886	3		2	SCREW-MACH M3 X 0.5 GMM-LG PAN-HD	2848C	0515-0886
2	0515-0886	3		2	SCREW-MACH M3 X 0.5 GMM-LG PAN-HD	2848C	0515-0886
3	0515-0886	3		2	SCREW-MACH M3 X 0.5 GMM-LG PAN-HD	2848C	0515-0886
4	5021-6749	7		1	FILTER CLAMP	28480	5021-6749
5					NOT ASSIGNED		
6	0515-0886	3		2	SCREW-MACH M3 X 0.5 GMM-LG PAN-HD	28480	0515-0886
7	5001-8705	7		1	MAIN DECK	28480	5001-8705
8	0515-0890	9		2	SCREW-MACH M3 X 0.5 6MM-LG SODEG-FLH-HD	28480	0515-0890
9	5001-8755	7		1	FRONTENDDECK	28480	5001-8755
10	0515-0890	9		2	SCREW-MACH M3 X 0.5 GMM-LG SODEG-FLH-HD	28480	0515-0890
11 (Opt. 002)	2360-0507	8		3	SCREW-MACH 6-32 1.625-INLG 82DEG	28480	2360-0507
12	2360-0183	6		4	SCREW-MACH 6-32 .375-IN-LG 82DEG	28480	2360-0183
13	0515-0866	9		1	SCREW-MACH M3 X 0.5 8MM-LG PAN-HD	28480	0515-0866
14	0515-1146	0		2	SCREW-MACH M3 X 0.5 GMM-LG PAN-HD	28480	0515-1146
15	5001-8731	9		1	ATTENUATOR BRACKET	28480	5001-8731
16					NOT ASSIGNED		
17					NOT ASSIGNED		
18	18560-00002	1		1	ATTENUATOR BRACKET	28480	18560-00002
19	0515-0886	3		2	SCREW-MACH M3 X 0.5 GMM-LG PAN-HD	28480	0515-0886
20	0515-1461	9		1	SCREW-MACH M3 X 0.5 GMM-LG SEM FLHD	28480	0515-1461
21					NOT ASSIGNED		
22	0515-1461	9		4	SCREW-MACH M3 X 0.5 GMM-LG SEM FLHD	28480	0515-1461
(Option 003)	0515-0890	9		3	SCREW-MACH M3 X 0.5 GMM-LG SODEG-FLH-HD	28480	0515-0890
					(NOT SHOWN IN FIGURE 4-4)		



**Parts List, Front Frame (See Figure 4-5)**

Item	HP Part Number	UOM	Qty	Description	Mfr Code	Mfr Part Number
1	0515-1622	7	4	SCREW-SKT-HD-CAP M4 X 0.7 8MM-LG	2848C	0515-1622
2	5041-8906	4	1	CRT BEZEL	2848C	5041-8906
3	1000-0897	4	1	RFI CRT FACEPLATE	2848C	1000-0897
4	0370-3069	2	1	KNOB BASE 1-1/8 JGK .252-IN-IO (INCLUDES ITEM 5)	2848C	0370-3069
5	3030-0022	4	2	SCREW-SET 6-32 .125-IN-LG SMALL CUP-PT	0000C	BY DESCRIPTION
6	2950-0043	8	2	NUT-HEX-DBL-CHAM 3/8-32-THD .094-IN-THK	0000C	BY DESCRIPTION
7	2190-0016	3	2	WASHER-LK INTL T 3/8 IN .377-IN-ID	28480	2190-0016
8	08560-00008	8	1	FRONT PANEL-DRESS	28480	08560-00009
	08560-00008	7	1	FRONT PANEL-DRESS, OPT 002	28480	08560-00008
9	5060-0467	6	1	PROBE POWER JACK	28480	5060-0467
10	0590-1251	6	1	NUT-SPCLY 15/32-32-THD .1-IN-THK .562-WD	00000	BY DESCRIPTION
11	1250-1666	8	2	ADAPTOR COAX STR F-SMA F-SMA	28480	1250-1666
12	0515-2145	1	12	SCREW-MACH M3 X 0.5 8MM-LG PAN-HD TX	28480	0515-2145
13	5062-4806	9	1	BUMPER KIT (Includes 4 bumpers)	28480	5062-4806
14	0905-1018	2	4	O-RING .126TD	28480	0905-1018
15	5021-5483	4	2	CATCHLATCH	28480	5021-5483
16	0515-0366	4	13	SCREW-MACH M2.5 X 0.45 GMM-LG PAN-HD TX	28480	0515-0366
17	5021-8689	8	1	FRONT FRAME	28480	5021-8689
18	8160-0520	7	1	RFI ROUND STRIP STL MSH/SIL RBR CU/SN	28480	8160-0520
19	0535-0082	3	2	NVTM W LKWR M4	28480	0535-0082
20	2190-0016	3	1	WASHER-LK INTL T 3/8 IN .377-IN-ID	28480	2190-0016
21	2950-0043	8	1	NUT-HEX-DBL-CHAM 3/8-32-THD .094-IN-THK	00000	BY DESCRIPTION
22	1250-2191	3	1	RF INPUT ASSEMBLY	28480	1250-2191
23	0515-2145	1	2	SCREW-MACH M3 X 0.5 8MM-LG PAN-HD TX	28480	0515-2145
24	5041-8985	9	1	RUBBER KEYPAD (INCLUDES KEYCAPS)	28480	5041-8985
25	1990-1131	0	1	LED-LAMP LUM-INT=560UCDIF=20MA-MAX	1M627	LD-101MG
26	5041-1682	9	1	KEYCAP "LINE"	28480	5041-1682
27	0900-0010	2	1	O-RING .101-IN-ID .07-IN-XSECT-DIA NTRL	51633	AS568-005
28	0515-1552	2	1	SCREW-MACHINE ASSEMBLY M3 X 0.5 12MM-LG	JO421	M3.0X0.5X12
29	5021-5482	3	1	SUPPORT CENTER	28480	5021-5482
30	0515-1143	7	2	SCREW-MACH M4 X 0.7 16MM-LG PAN-HD TX	28480	0515-1143
31	0515-1934	1	9	SCREW-MACH M2.5 X 0.45 GMM-LG PAN-HD TX (P/O A1W1)	28480	0515-1934
32	2100-4232	1	1	10K 20% LOG	28480	2100-4232
33	3050-0014	3	2	WASHER-FL .250ID12	28480	3050-0014
34	2190-0067	1	1	WASHER-LK INTL .256-IN-ID	28480	2190-0067
35	2950-0072	3	1	NUT-HEX 1/4-32 THD	28480	2950-0072
36	0370-3079	1	1	KNOB RND .125 JG	28480	0370-3079

**4-30 Replaceable Parts**

**[www.valuetronics.com](http://www.valuetronics.com)**

**Parts List, Rear Frame (See Figure 4-6)**

<b>Item</b>	<b>HP Part Number</b>	<b>C</b>	<b>Qty</b>	<b>Description</b>	<b>Mfr Code</b>	<b>Mfr Part Number</b>
1	0515-0890	9	2	SCREWMACH M3 X 0.5 GMM-LG SODEG-FLH-HD	28480	0515-0890
2	5062-7755	3	1	BATTERY HOLDER (INCLUDES WIRES)	28480	5062-7755
3	0515-1669	2	4	SCREW-MACH M4 X 0.7 40MM-LG PAN-HD	28480	0515-1669
4	3160-0309	5	1	FAN GRILLE	28480	3160-0309
5	0380-0012	0	4	SPACER-RND .875-IN-ID	28480	0380-0012
6				NOT ASSIGNED		
7	<b>6960-0002</b>	4	1	PLUG-HOLE TR-HD FOR 0.5-D-HOLE STL	05093	SS-48152
8	<b>6960-0023</b>	9	2	PLUG-HOLE DOME-HD FOR 0.312-D-HOLE STL	04213	D-2730-LC2
9	1250-1753	4	1	ADAPTOR-COAX STR F-SMA (INCLUDES WASHER AND NUT)	28480	1250-1753
10	0515-0890	9	4	SCREW-MACH M3 X 0.5 GMM-LG SODEG-FLH-HD	28480	0515-0890
11	0515-0898	7	1	SCREW-MACH M3 X 0.5 GMM-LG PAN-HD	28480	0515-0898
12	0590-1251	6	5	NUT-SPCLY 15/32-32-THD .1-IN-THK .562-WD	00000	BY DESCRIPTION
13	1252-0995	8	1	CONNECTOR-TEL 2-CKT .141-SHK-DIA (INCLUDES NUT AND JACK)	28480	1252-0995
14	5001-8719	3	1	REAR PANEL-DRESS	28480	5001-8719
15	0515-1461	2	4	SCREW-MACH M3 X 0.5 GMM-LG PAN-HD	28480	0515-1461
16	8160-0662	8	1	RFI ROUND STRIP STL SPIRA .150	28480	8160-0662
17	5021-5479	8	1	REAR FRAME	28480	5021-5479
18	5021-6391	5	2	SCREW-CONN HPIB	28480	5021-6391
19	2200-0104	3	2	SCREW-MACH 4-40 .25-IN-LG 82 DEG	00000	BY DESCRIPTION
20	0515-1148	2	2	RETAINER-PUSH ON KB-TO-SHFT EXT	28480	0510-1148
21	0515-0898	7	1	SCREW-MACH M3 X 0.5 GMM-LG PAN-HD	28480	0515-0898
22	0535-0023	2	2	NUT-HEX DBL-CHAM M4 X 0.7 3.2MM-THK	00000	BY DESCRIPTION
B1	5061-9036	5	1	FAN ASSEMBLY (INCLUDES WIRES)	28480	5061-9036
BT1	1420-0341	5	1	BATTERY 3.0V 1.2 A-HR LITHIUM POLYCARBON MONOFLUORIDE; BUTTON TERMINATIONS	08709	BR 2/3A SSP



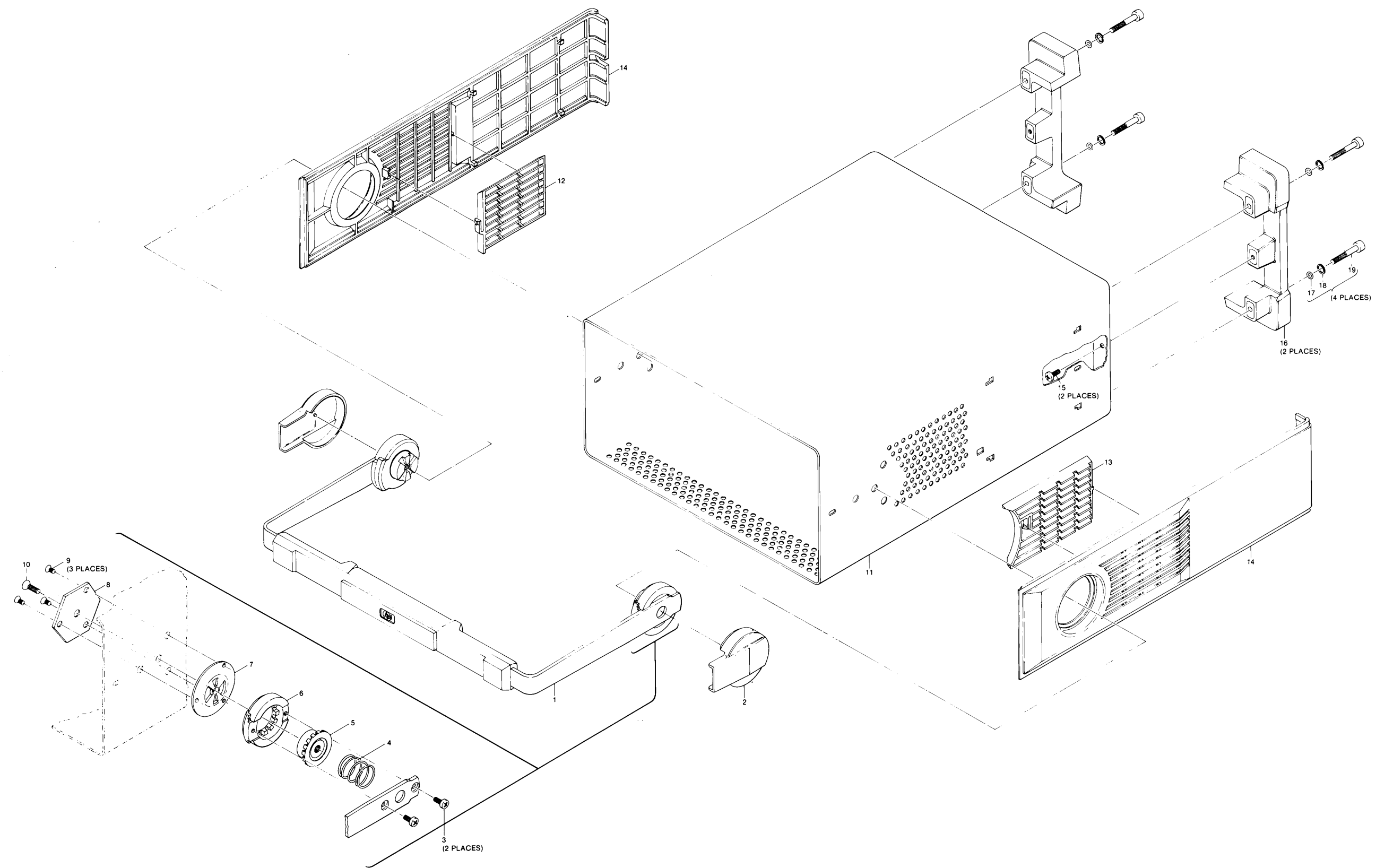


Figure 4-2. Parts Identification, Cover Assembly

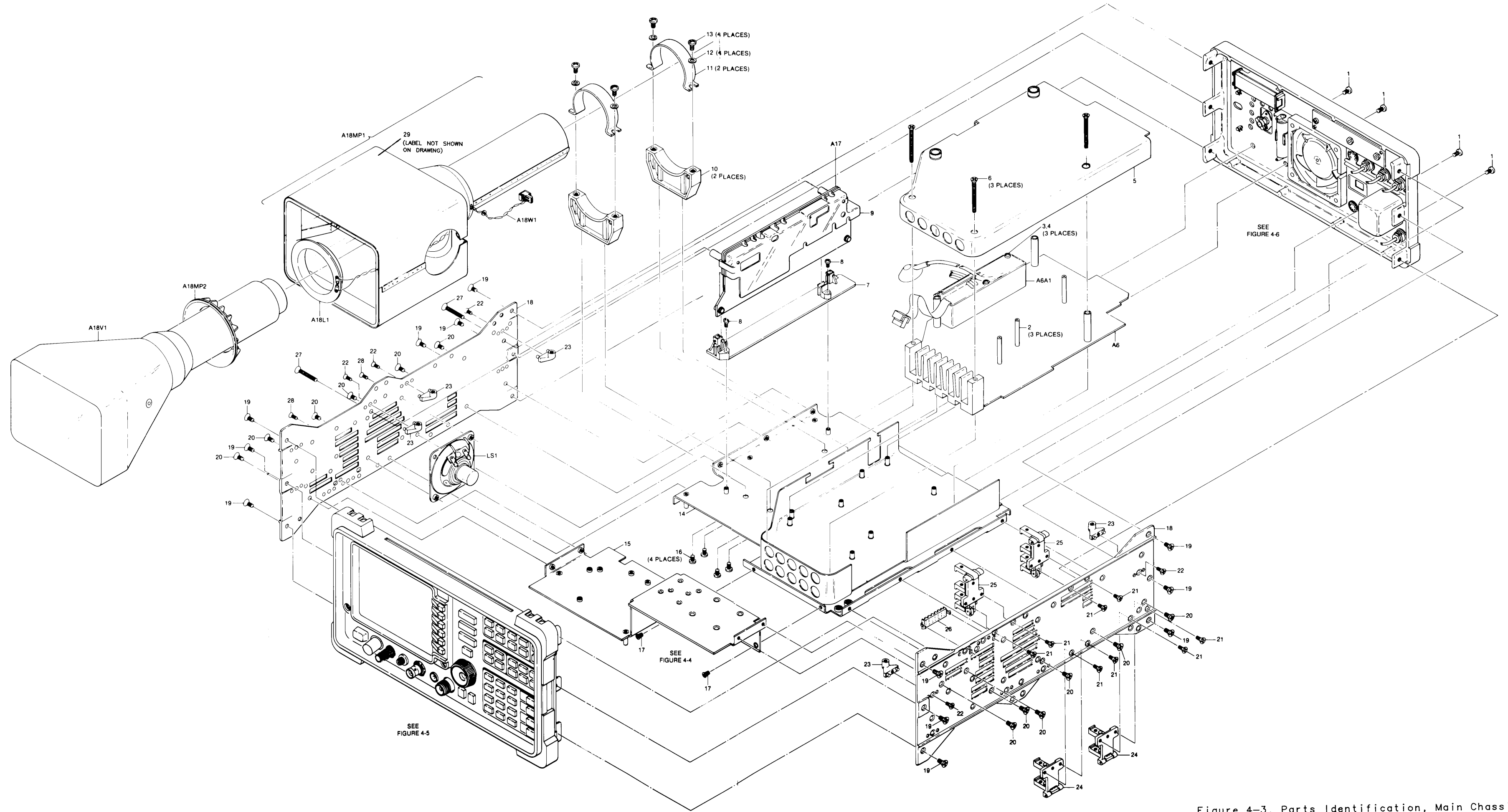


Figure 4-3. Parts Identification, Main Chassis



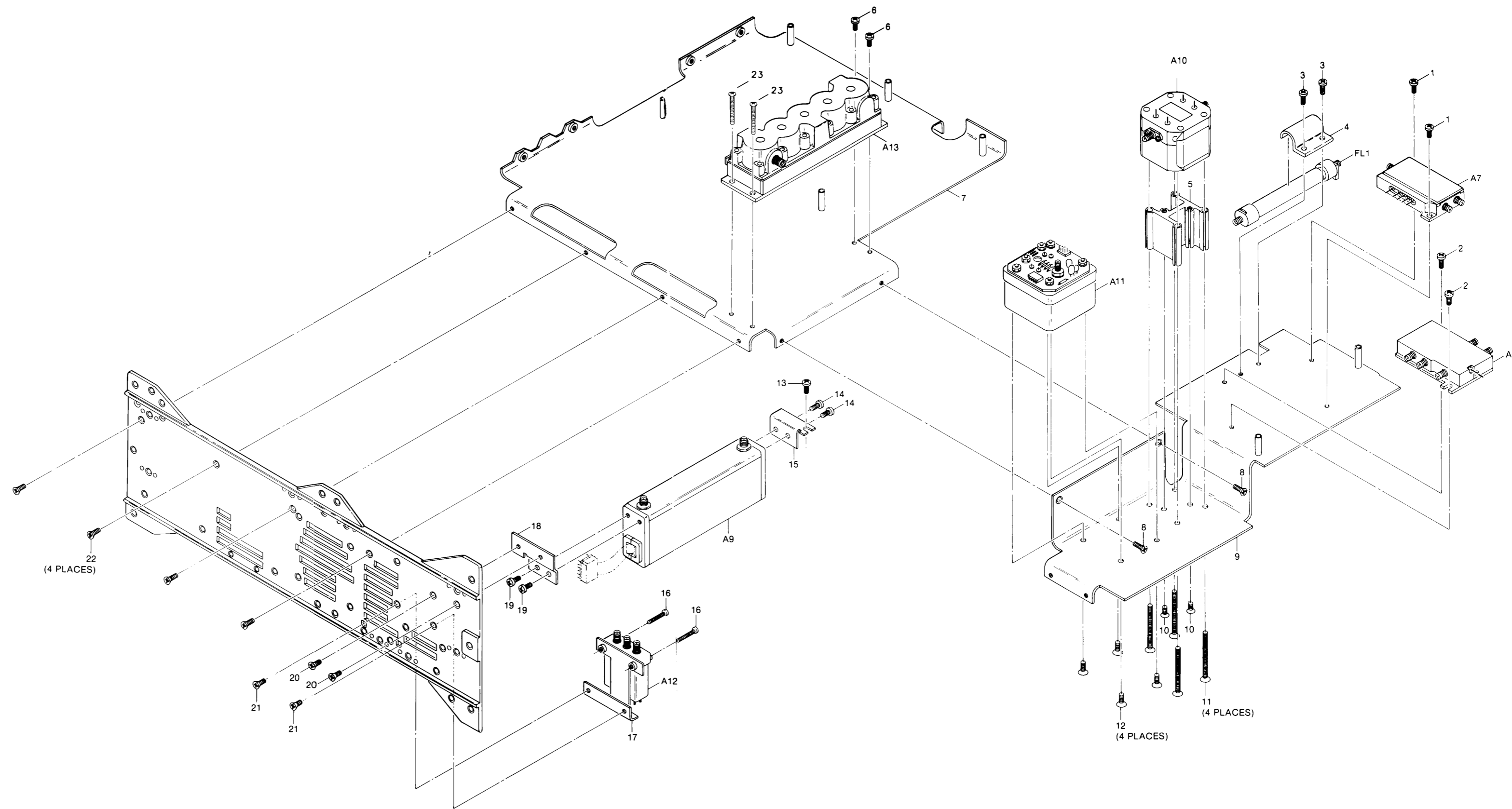


Figure 4-4. Parts Identification, RF Section

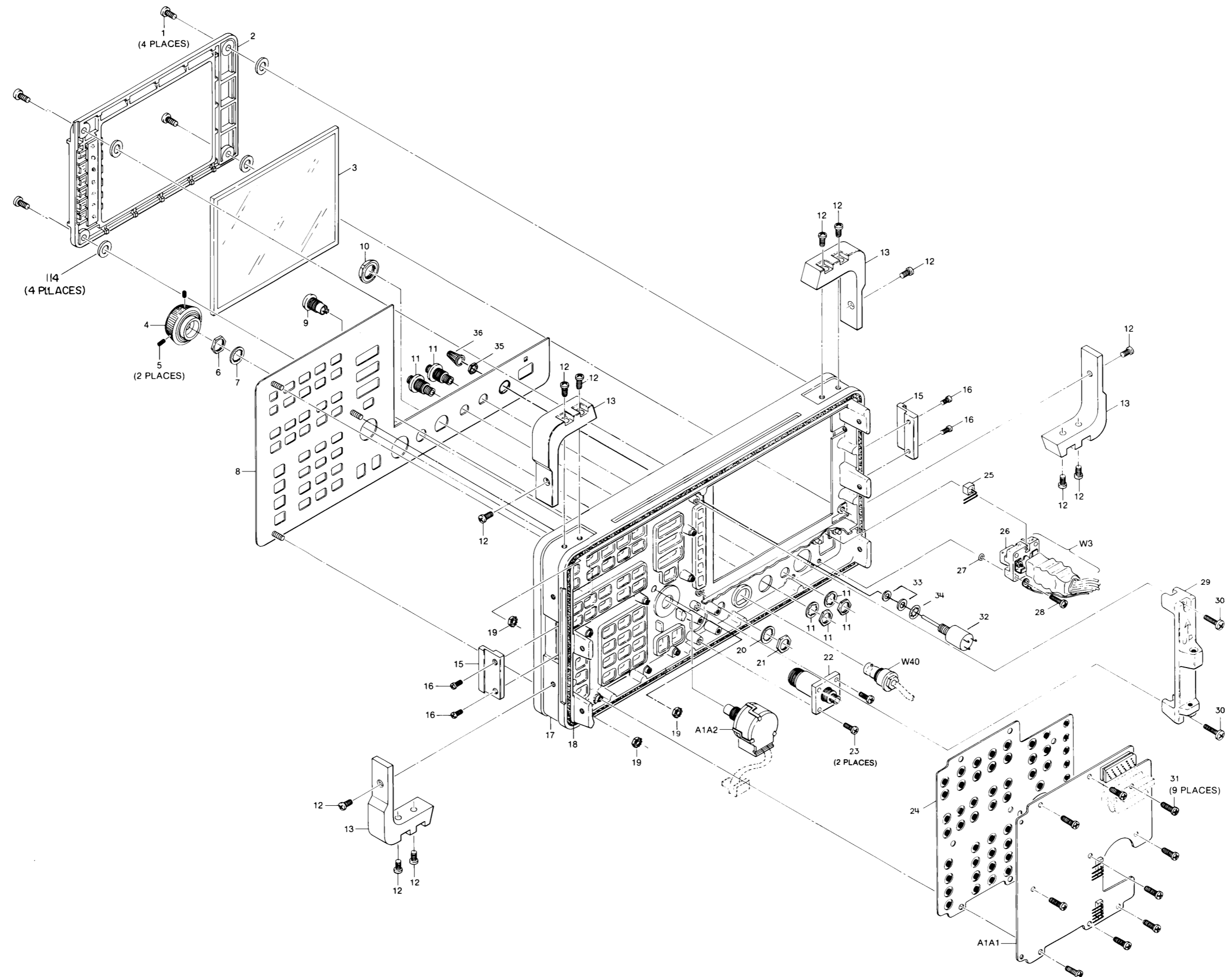


Figure 4-5. Parts Identification, Front Frame

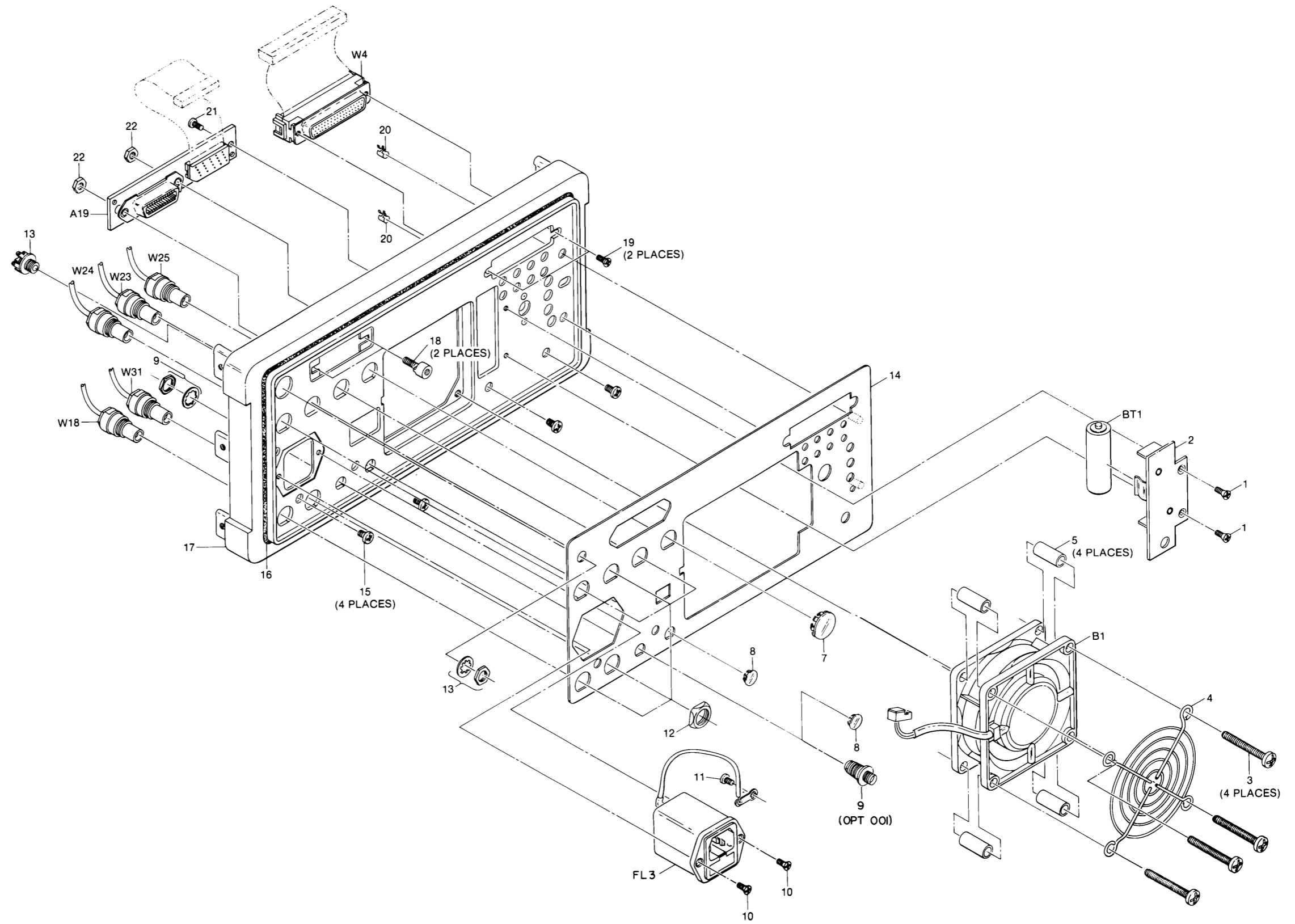


Figure 4-6. Parts Identification, Rear Frame

## Major Assembly and Cable Locations

---

### Introduction

This chapter identifies the module's assemblies and cables and contains the following figures:

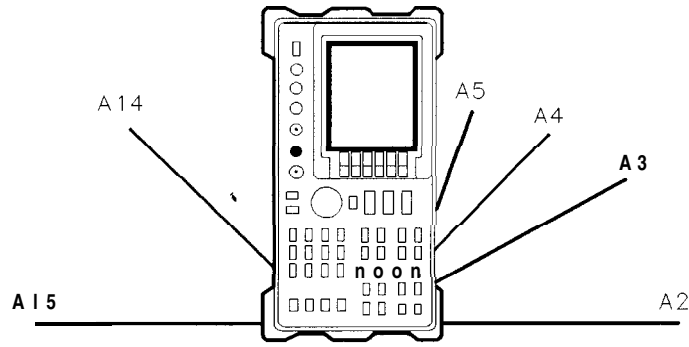
	<b>Page</b>
Figure 5-1. Hinged Assemblies .....	5-4
Figure 5-2. Top View (A2 Unfolded) .....	5-4
Figure 5-3. Top View (A2 and A3 Unfolded) .....	5-5
Figure 5-4. Top View (A2, A3, A4, and A5 Unfolded) .....	5-6
Figure 5-5. Bottom View (A15 Unfolded) .....	5-7
Figure 5-6. Bottom View (A15 and A14 Unfolded) .....	5-8
Figure 5-7. Front End .....	5-9
Figure 5-8. Rear View .....	5-10

Use the list below to determine the figure(s) illustrating the desired assembly or cable.

<b>Assemblies</b> .....	<b>Figure</b>
A1 Front Frame .....	5-6
A1A1 Keyboard .....	..5- 6
A2 Controller .....	5-1, 5-2
A3 Interface .....	..5-1.5- 2
A4 Log Amplifier/Cal Oscillator .....	5-1, 5-3
A5 IF Filter .....	5-1, 5-4
A6 Power Supply .....	5-4
A6A1 High Voltage Module .....	5-4
A7 LO Distribution Amplifier .....	5-7
A8 Low Band Mixer .....	5-7
A9 RF Attenuator .....	..5- 7
A10 Tracking Generator .....	..5- 7
A11 YTO .....	..5- 7
A12 (Not Assigned)	
A13 Second Converter .....	..5- 7
A14 Frequency Control .....	5-1, 5-6
A15 RF .....	5-1, 5-5, 5-6
A17 CRT Driver .....	..5- 4
A18 CRT Assembly .....	5-4

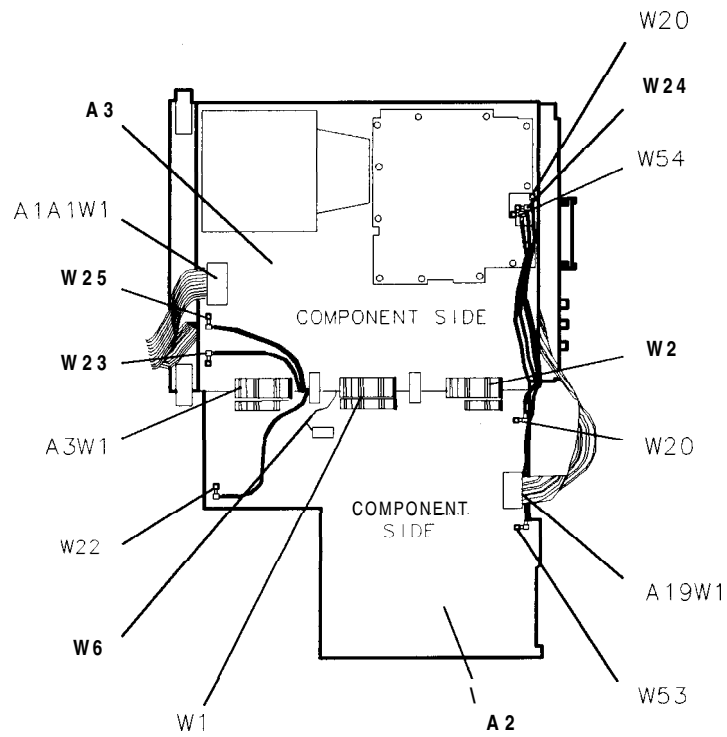
<b>Assemblies</b> .....	<b>..Figure</b>
A19 HP-IB .....	..5-4
A20 Battery Assy .....	..5-8
A21 OCXO (Option003) .....	..5-4
B1 Fan .....	..5-8
BT1 Battery .....	..5-8
FL1 Low Pass Filter .....	5-7
FL2 Low Pass Filter .....	5-7
FL3 Line Filter .....	5-8
LS1 Speaker .....	..5-4
<b>Cables</b> .....	<b>..Figure</b>
A1A1W1 Keyboard Cable .....	5-2, 5-4
A3W1 Interface Cable .....	<b>5-2</b>
A19W1 HP-IB Cable .....	5-2, 5-4
W1 Power Cable .....	5-2, 5-3, 5-4, 5-5
W2 Control Cable .....	5-2, 5-3, 5-4, 5-5
W3 Line Switch Cable .....	5-4, 5-7
W4 Option Module Cable .....	5-4
W5 (NOT ASSIGNED)	
W6 Battery Cable .....	..5-2
W7 Display/Cal Osc Cable .....	5-2
W8 Display Power Cable .....	5-4
W9 CRT Yoke Cable .....	..5-4
W10 YTO Drive Cable .....	5-6, 5-7
W11 Attenuator Drive Cable .....	5-6
W12 A7 LODA Drive Cable .....	5-6, 5-7
W13 A13 Second Conv. Drive Cable .....	5-6
W14 A10 Control Signal Cable (Opt. 002) .....	5-6, 5-7
W15 (Not Assigned)	
W16 A10 ALC EXT Cable (Opt. 002) .....	5-6, 5-7
W17 (NOT ASSIGNED)	
W18 LO Sweep (Coax 97) .....	5-6
W19 Second IF Out (Coax 83) (Option 001) .....	5-5
W20 Zero-Span Video (Coax 6) .....	5-2
W21 (NOT ASSIGNED)	
W22 10 MHz Freq. Count (Coax 0) .....	5-2, 5-5
W23 Ext. Trigger In (Coax 93) .....	5-2
W24 Video Out(Coax5) .....	..5-2
W25 Blanking Out (Coax 4) .....	5-2
W26 (NOT ASSIGNED)	
W27 Filter 10.7 MHz .....	<b>5-3, 5-4</b>
W28 (NOT ASSIGNED)	
W29 10.7 IF (Coax 7) .....	<b>5-4, 5-5</b>
W30 (NOT ASSIGNED)	
W31 Ref. In/Out (Coax 8) .....	<b>5-5</b>
W32 Sampler IF (Coax 87) .....	<b>5-5, 5-6</b>
W33 Second LO Drive (Coax 81) .....	5-5, 5-7

<b>Cables</b>	<b>..Figure</b>
W34 First LO Samp. (Coax 0)	5-5, 5-6, 5-7
W35 Int Second IF (Coax 92)	5-5, 5-7
W36 Ext Second IF (Coax 86) (Deleted in Opt. 002)	5-5
W37 10 MHz Ref 1 (Coax 85)	5-5, 5-6
W38 First LO	..5-7
W39 Low Band Mixer	5-7
W40 Cal. Out (Coax 89)	5-5
W41 RF Input	..5-7
W42 First LO Out (Standard)	5-7
W43 A10 LO IN (Opt. 002)	5-7
W44 Semirigid	..5-7
W45 Semirigid	..5-7
W46 A10 LO OUT (Opt. 002)	5-7
W47 A10 RF OUT (Opt. 002)	5-7
W48 A10 600 MHz (Coax 80) (Opt. 002)	5-5
W49 A21 OCXO (Coax 82) (Option 003)	5-5
W50 A21 OCXO Drive (Option 003)	5-5
W51 10 MHz IN (Coax 84)	5-3, 5-5
W52 CAL Oscillator Out (Coax 9)	5-4
W53 Frequency Counter (Coax 1)	5-2, 5-3
W54 Video (Coax 2)	5-2, 5-3
W55 Audio Out	5-3, 5-4
W56 Semirigid	..5-7
W57 Semirigid	..5-7



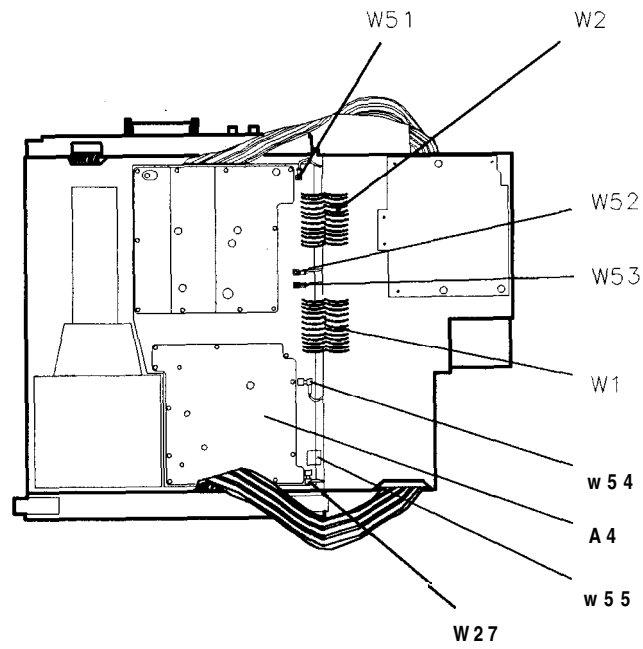
SK155

Figure 5-1. Hinged Assemblies



SK156

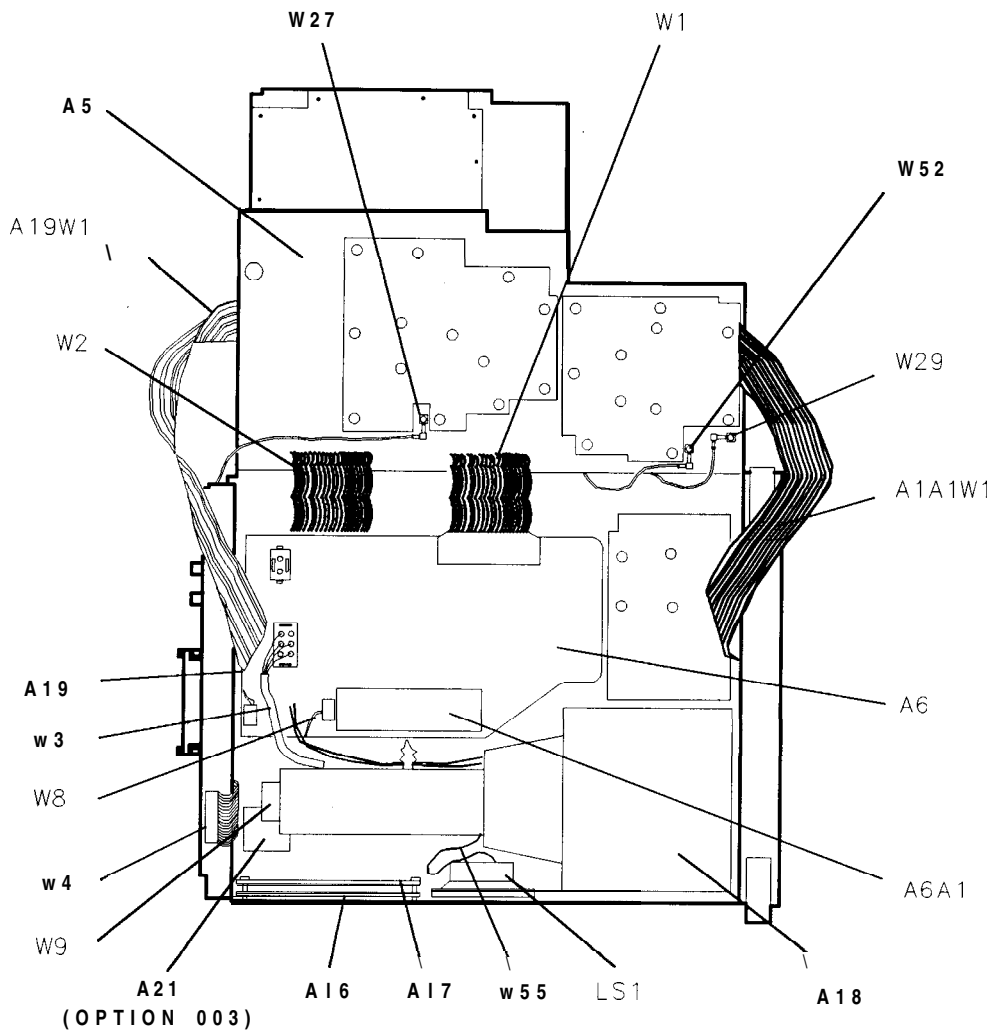
Figure 5-2. Top View (A2 Unfolded)



SK157

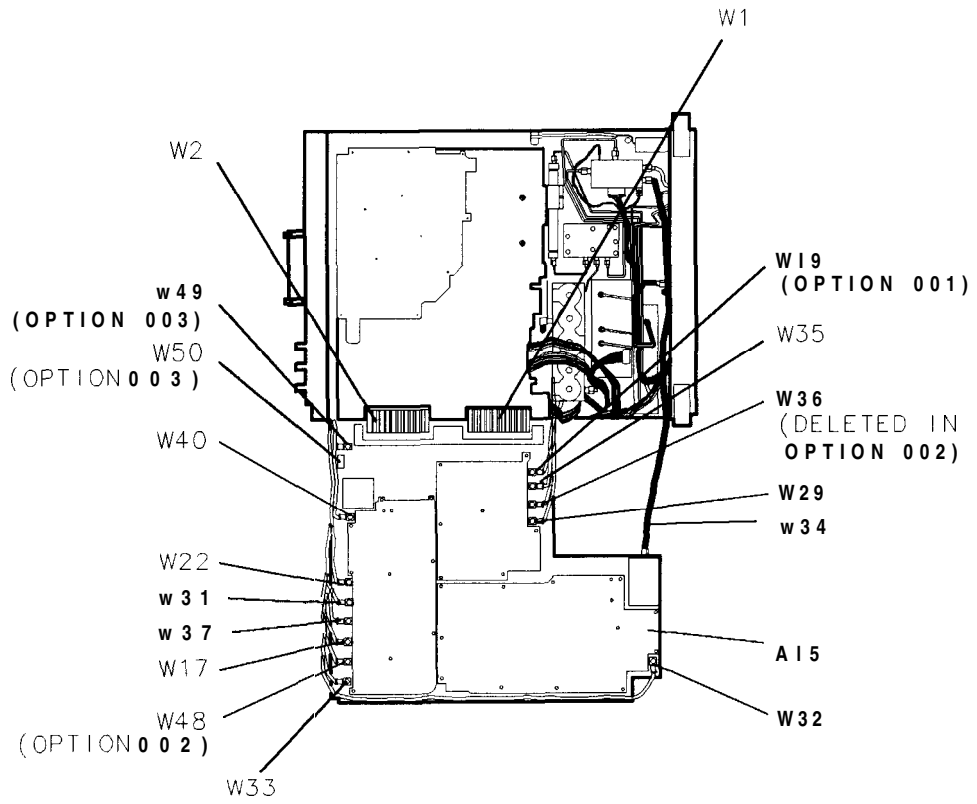
Figure 5-3. Top View (A2 and A3 Unfolded)



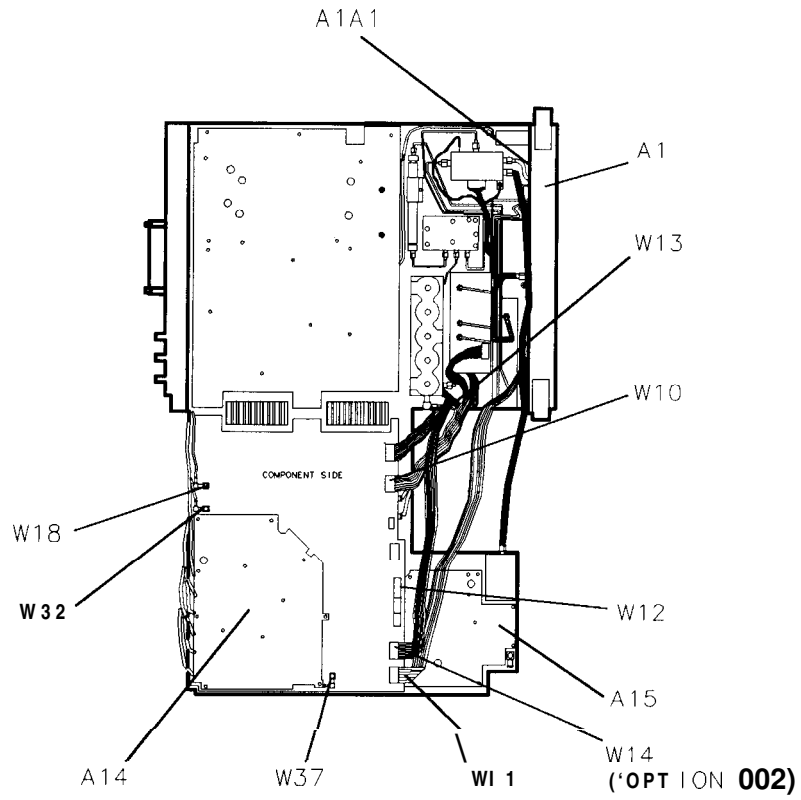


SK158

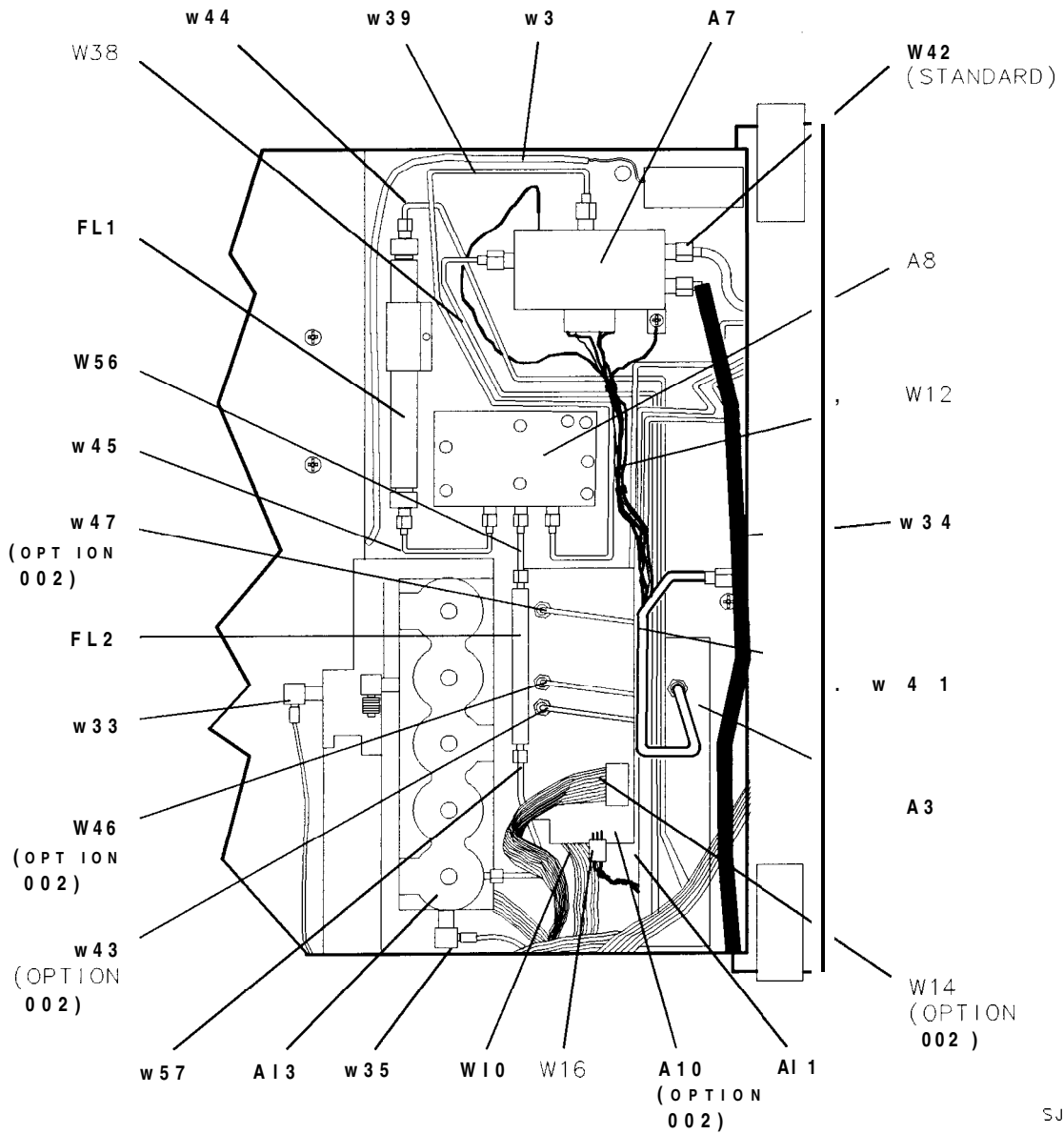
Figure 5-4. Top View (A2, A3, A4, and A5 Unfolded)



**Figure 5-5. Bottom View (A15 Unfolded)**

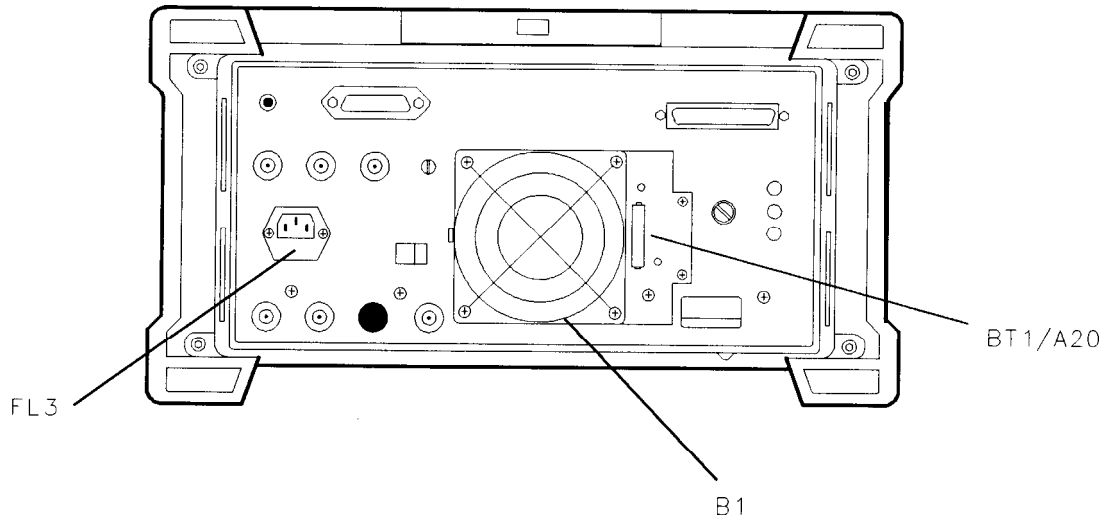


**Figure 5-6. Bottom View (A15 and A14 Unfolded)**



SJ111

Figure 5-7. Front End



**Figure 5-8. Rear View**

## General Troubleshooting

---

### Introduction

This chapter provides information needed to troubleshoot the instrument to one of the six major functional sections. Chapters 7 through 12 cover troubleshooting for each of these sections. Before troubleshooting, read the rest of this introduction. To begin troubleshooting, refer to “Troubleshooting to a Functional Section” in this chapter.

Topic	Page
Troubleshooting to a Functional Section .....	6-8
Using the TAM .....	6-10
Error Messages .....	6-15
Block Diagram Description .....	6-35

---

**Note** When a part or assembly is replaced, adjustment of the affected circuitry is usually required. Refer to Chapter 2, “Adjustment Procedures.”

---



---

**Warning** **Troubleshooting and repair of this instrument without the cover exposes high voltage points that may, if contacted, cause personal injury. Maintenance and repair of this instrument should, therefore, be performed only by a skilled person who knows the hazards involved. Where maintenance can be performed without power applied, the power should be removed. When any repair is completed, be sure that all safety features are intact and functioning and that all necessary parts are connected to their grounds.**

---

### Assembly Level Text

To locate troubleshooting information for an individual assembly, refer to Table 6-1.

### Block Diagrams

Instrument-level block diagrams are located at the end of this chapter. Power levels and voltages shown on block diagrams are provided as a troubleshooting aid only. They should not be used for making instrument adjustments.

## Assembly Test Points

The analyzer's board assemblies contain four types of test points: post, pad, extended component lead, and test jack. Figure 6-1 illustrates each type of test point as seen on both block diagrams and circuit boards. The name of the test point will be etched into the circuit board next to the test point (for example, TP2). In some instances, the test point will be identified on the board by its number only.

### Pad

Each pad test point uses a square pad and a round pad etched into the board assembly. The square pad is the point being measured. The round pad supplies a grounding point for the test probe.

### Test Jack

The test jack is a collection of test points located on a 16-pin jack. There are over 26 test jacks used throughout the analyzer. The HP 85629B Test and Adjustment Module uses the analyzer's test jacks during diagnostic and adjustment procedures. The pins on the test jack may be manually probed, provided caution is used to prevent accidental shorting between adjacent pins.

Figure 6-1 illustrates the pin configuration for the test jack. Line names are the same for all test jacks. The following mnemonics are used: MS "measured signal," TA "test and adjustment Module address line," and OS "output signal." Test jack test points are identified on block diagrams by both the jack/pin number and line name.

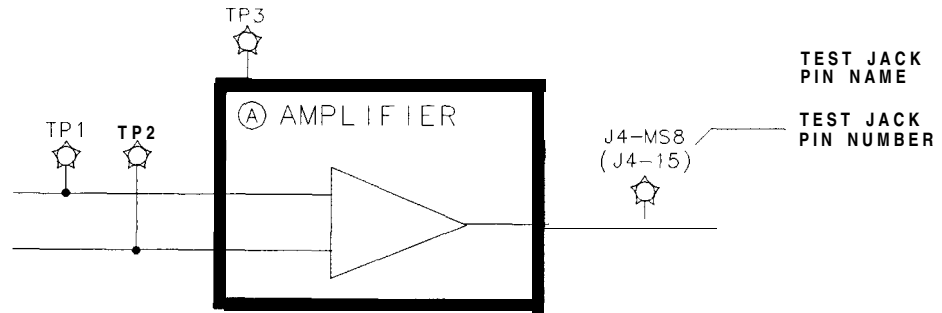
## Ribbon Cables

Ribbon cables are used extensively in the analyzer. The following five cables use different pin numbering methods on the jacks (signal names remain the same but the pin numbers vary):

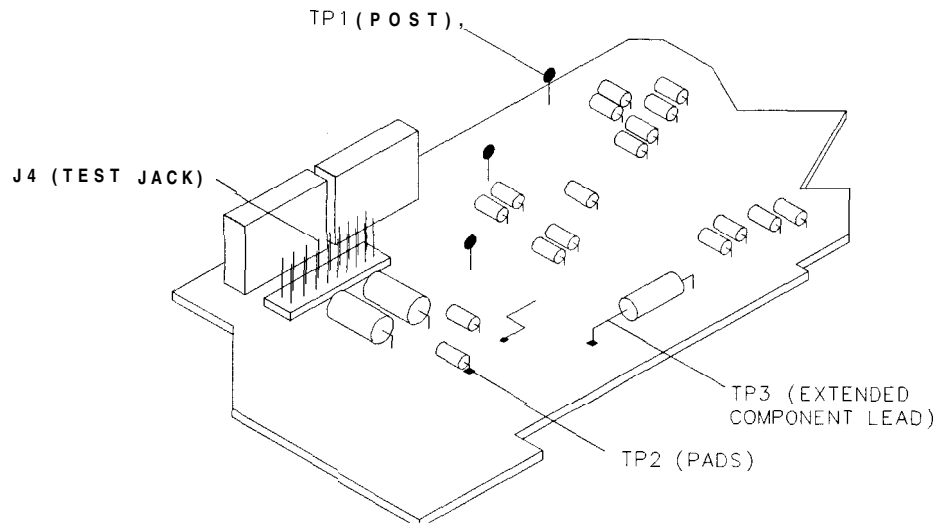
- W1, Power Cable
- W2, Control Cable
- W4, Option Cable
- A3W 1, Interface Cable
- A19W1, HPIB Cable

Figure 6-2 illustrates the pin configurations of these five cables. Cables W1 and W2 use two pin numbering methods on their many jacks. These methods are identified in the interconnect and block diagrams by the letters "A" and "B" next to the jack designator (for example, J1(A)). Board assembly jacks connected to W1 will always be labeled J1. Board assembly jacks connected to W2 will always be labeled J2.

TEST POINTS ON BLOCK DIAGRAM



TEST POINTS ON CIRCUIT BOARD ASSEMBLY



SK163

Figure 8-1. Assembly Test Points



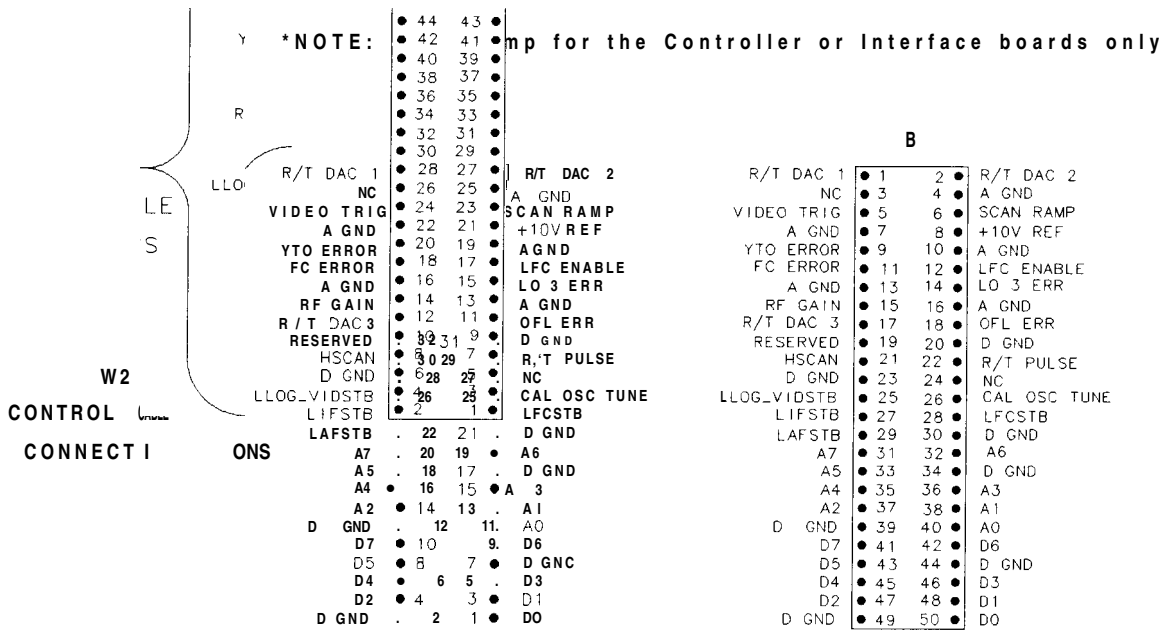
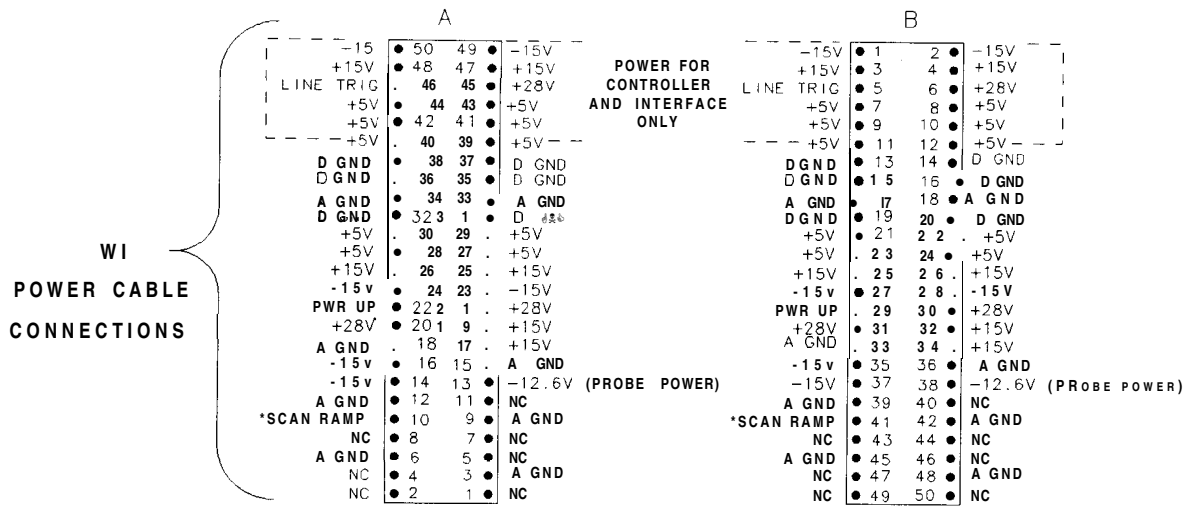
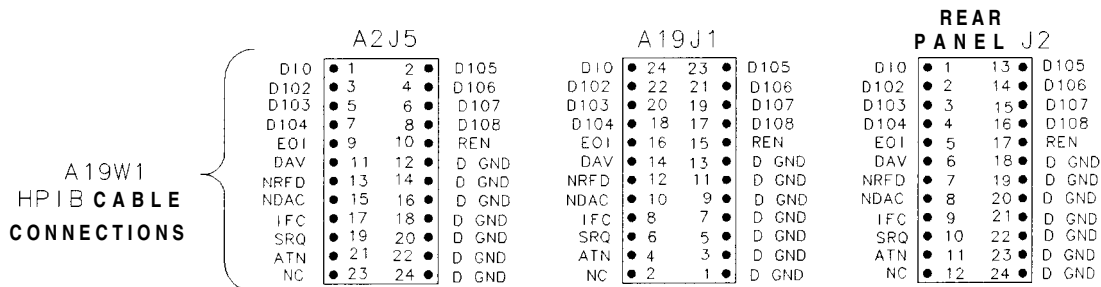
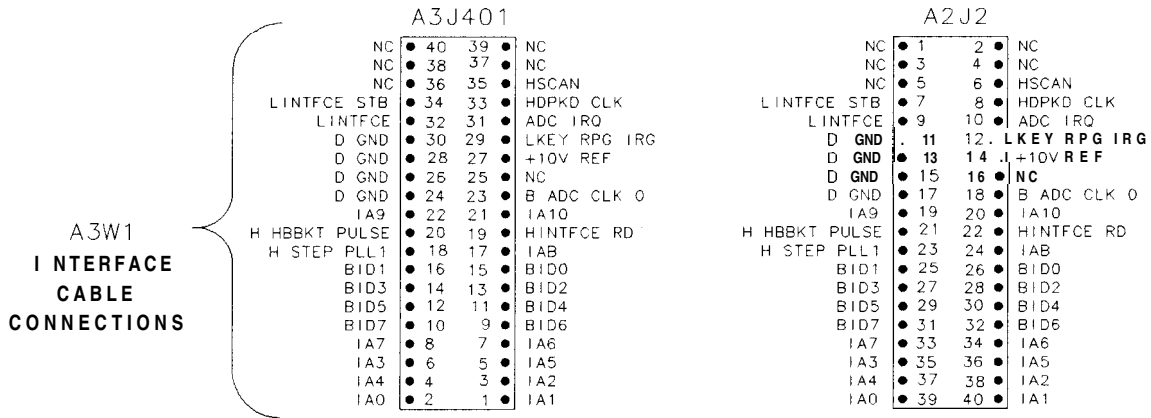
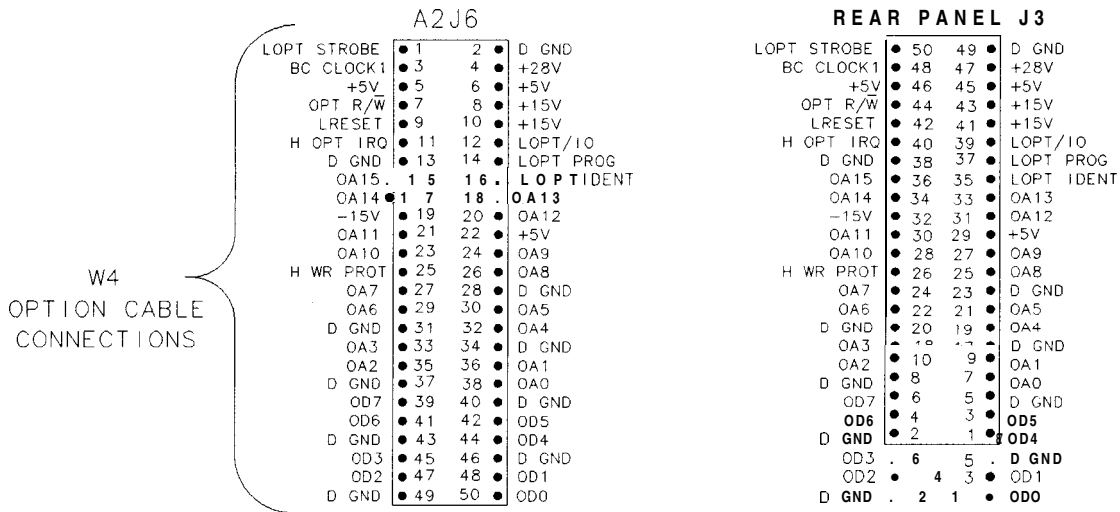


Figure 6-2. Ribbon Cable Connections (1 of 2)

SK164



SK165

Figure 6-2. Ribbon Cable Connections (2 of 2)

## **WR PROT/WR ENA Softkey Menus**

The jumper on jack A2J12 is shipped from the factory in the WR PROT (write protect) position (jumper on pins 2 and 3). When the jumper is set to the WR ENA (write enable) position (jumper on pins 1 and 2), an alternate softkey menu is displayed under (CAL). Figure 6-3 illustrates those areas of the (CAL) menu that are unique to the WR ENA mode of operation.

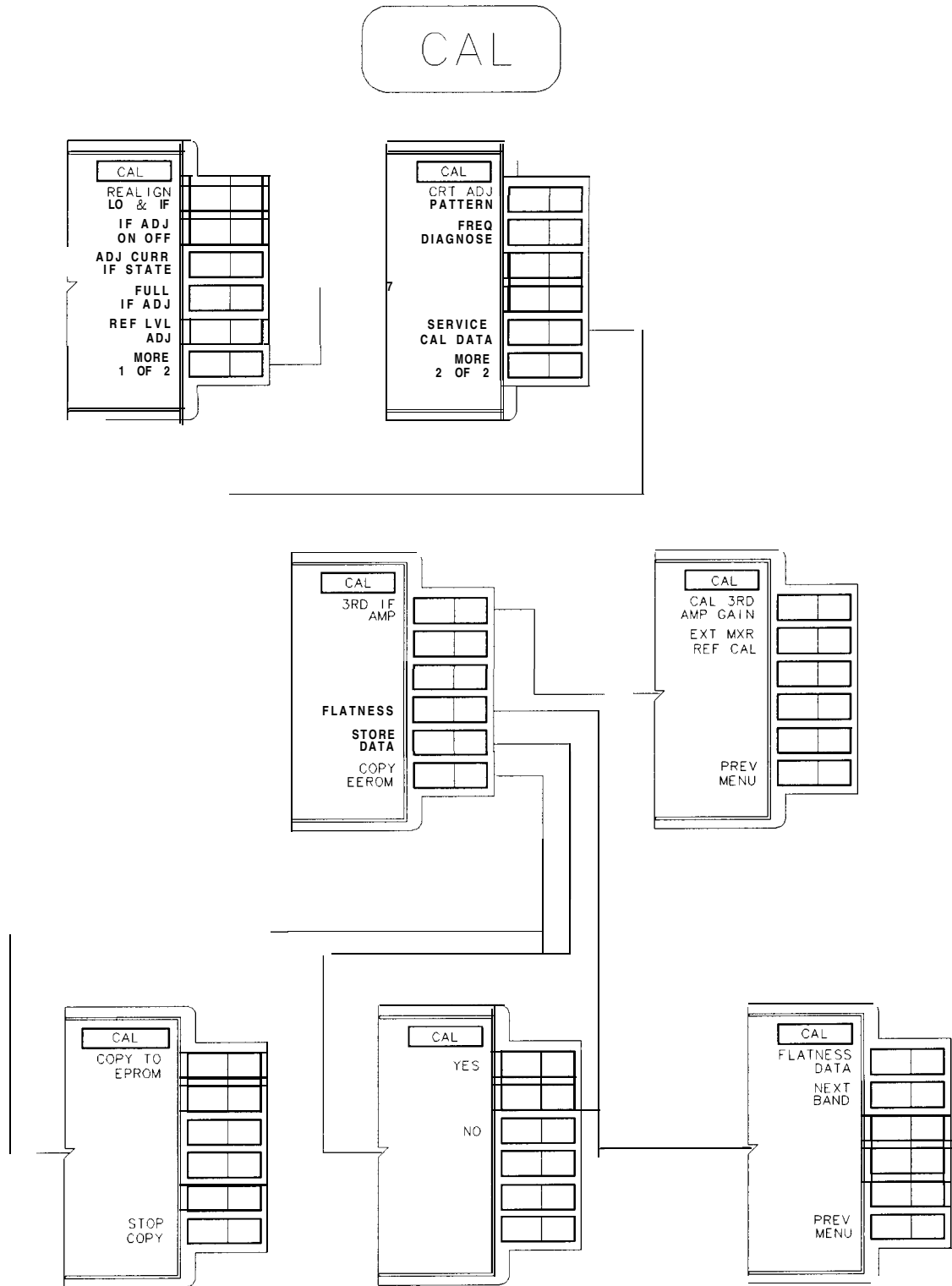


Figure 6-3. WR ENA Softkey Menu

---

## Troubleshooting to a Functional Section

1. Refer to Table 6-1 for the location of troubleshooting information.
2. If the HP 85629B Test and Adjustment Module (TAM) is available, refer to “Using the TAM” in this chapter.
3. If error messages are displayed, refer to “Error Messages” in this chapter. You will find both error descriptions and troubleshooting information.
4. If a signal cannot be seen, and no errors messages are displayed, the fault is probably in the RF Section. Refer to Chapter 11, “RF Section.”
5. Blank displays result from problems caused by either the Controller or Display/Power-Supply Sections. Because error messages 700 to 755 caused by the Controller Section cannot be seen on a blank display, use the following BASIC program to read these errors over HP-IB. If the program returns an error code of 0, there are no errors.

```
10 DIM Err$(128)
20 OUTPUT 718;"ERR?;"
30 ENTER718; Err$
40 PRINTErr$
50 END
```

- a. If there is no response over HP-IB, set an oscilloscope to the following settings:  
Sweep Time ..... 2 ms/div  
Amplitude Scale ..... 1 V/div
  - b. The signals at A2J202 pin 3 and pin 14 should measure about 4 Vp-p. If the levels are incorrect, refer to Chapter 9 and troubleshoot the A2 Controller Assembly.
  - c. Set the oscilloscope to the following settings:  
Sweep Time ..... .1ms/div  
Amplitude Scale ..... 2 V/div
  - d. The signal at A2J202 pin 15 should consist of TTL pulses. If the signal is at a constant level (high or low), troubleshoot the A2 Controller assembly.
6. Display problems such as intensity or distortion are caused by either the Controller or Display/Power-Supply Sections. Refer to Chapter 9.

**Table 6-1. Location of Assembly Troubleshooting Text**

Instrument Assembly	Location of Troubleshooting Text
A1A1 Keyboard	Chapter 7. ADC/Interface Section
A1A2 RPG	Chapter 7. ADC/Interface Section
A2 Controller	Chapter 9. Controller Section
A3 Interface	Chapter 7. ADC/Interface Section
	Chapter 8. IF Section
A4 Log Amplifier/Cal Oscillator	Chapter 8. IF Section
A5 IF	Chapter 8. IF Section
A6 Power Supply	Chapter 12. Display/Power Supply Section
A6A1 HV Module	Chapter 12. Display/Power Supply Section
A7 1ST LO Dist. Ampl.	Chapter 10. Synthesizer Section
A8 Low Band Mixer	Chapter 11. RF Section
A9 Input Attenuator	Chapter 11. RF Section
A10 Tracking Generator	Chapter 11. RF Section
All YTO	Chapter 10. Synthesizer Section
413 2nd Converter	Chapter 11. RF Section
414 Frequency Control	Chapter 10. Synthesizer Section
	Chapter 11. RF Section
A15 RF Assembly	Chapter 10. Synthesizer Section
	Chapter 11. RF Section
A17 CRT Driver	Chapter 12. Display/Power Supply Section
A18 CRT	Chapter 12. Display/Power Supply Section
A19 HP-IB	Chapter 9. Controller Section
FL1,2	Chapter 11. RF Section

---

## Using the TAM

When attached to the spectrum analyzer's rear panel, the HP 85629B Test and Adjustment Module (TAM) provides diagnostic functions for supporting the HP 8560A. Because the TAM is connected directly to the analyzer's internal data and address bus, it controls the analyzer's hardware directly through firmware control. It would be impossible to control the hardware to the same extent either from the analyzer's front panel or over the HP-IB.

- Revision C (date code 890704), or later, of the HP 85629B TAM firmware supports the HP 8560A Spectrum Analyzer.

The TAM measures voltages at key points in the circuitry and flags a failure whenever the voltage falls outside the limits. The TAM locates the failure to a small functional area which can be examined manually. Remember the following when using the TAM:

- Be sure the spectrum analyzer's power is turned off when installing or removing the TAM.
- Use the `HELP` softkey (found in all menus) for useful information.
- Pressing `MODULE` will return you to the TAM's main menu.
- The TAM acts as the active controller on the HP-IB bus. No other active controller should be connected to the bus.

## Diagnostic Functions

The TAM provides the four diagnostic functions listed below. (Additional menu selections support the TAM itself.) Refer to the indicated page for a description of each function.

Diagnostic	Page
1. Automatic Fault Isolation . . . . .	6-12
2. Manual Probe Troubleshooting ( <i>requires cover removal</i> ) . . . . .	6-13
3. Cal Oscillator Troubleshooting Mode ( <i>requires cover removal</i> ) . . . . .	6-14

---

**Note** The HP 85629B Test and Adjustment Modules with firmware revision A or B will not properly execute Automatic Fault Isolation on the HP 8560A Spectrum Analyzer.

---

**Note** HP 8560A Spectrum Analyzers with serial prefix 3207A and above have the TAM firmware residing in the spectrum analyzer. The TAM will use this firmware regardless of the firmware revision in the HP 85629B.

---

## TAM Requirements

For the TAM to function properly, certain parts of the analyzer must be operating properly. These include the CPU, parts of the program ROM and program RAM, the keyboard and keyboard interface, and the display.

Even though the TAM communicates to the operator via the display, some display problems can be troubleshot using the TAM. This is possible by using the `Print Page` softkey. Even if the display is dead, `Print Page` is still active. Refer to Chapter 12 for instructions on using the TAM when the display is not functioning.

## Test Connectors

The TAM uses a built-in dc voltmeter and DAC to measure voltages on any one of 26 “test connectors” located throughout the HP 8560A.

---

**Note** HP 85629B Test and Adjustment modules with firmware revisions A or B cannot make valid measurements on test connector A14J16 on standard HP 8560A Spectrum Analyzers, nor test connector A14J17 on HP 8560A Option 002 Spectrum Analyzers.

---

## Revision Connectors

One test connector on each assembly is reserved as a “revision connector.” The TAM uses the revision connector to identify the assembly’s design revision. A “revision voltage” (placed onto one MSL pin) indicates design changes.

The TAM must be plugged into the revision connector first to determine which tests to use for the assembly. If the revision connector has not been probed, a message will appear instructing you to connect the probe to the revision connector and press `TEST`. You can then probe the rest of the assembly’s connectors.

---

**Note** If the revision of the PC board is newer than the TAM, a message will be displayed stating that the revision code for this board is not known by this module. The choices presented are to use the test for the latest known revision board, measure only voltages, or exit. In general, most points will not change from one board revision to another, so using the most current tests is still very useful. However, any failure should be verified using the manual troubleshooting procedures before doing a repair.

---



## **Inconsistent Results**

Many of the signals measured by the TAM are digitally controlled. If inconsistent results are obtained, or if failures appear in unrelated areas, the digital control may be at fault. Refer to the manual troubleshooting procedures for those assemblies to isolate those failures.

## **Erroneous Results**

If the TAM manual probe troubleshooting seems to be giving erroneous results, its performance can be checked by placing the probe on the TAM test connector (A2J11) located on the A2 Controller Assembly and executing the manual probe diagnostics. If either of the tests fail, the TAM is malfunctioning and should be serviced.

## **Blank Display**

It is possible to use the TAM's Manual Probe Troubleshooting without a display if an HP-IB printer is available. Refer to Chapter 12 for more information.

## **Automatic Fault Isolation**

Automatic Fault Isolation (AFI) is designed to isolate most faults to one or two assemblies. AFI can be run with the analyzer's cover in place and requires only the CAL OUTPUT signal as a stimulus. The entire procedure takes less than 2 minutes to complete if no failures are found.

AFI performs checks of five functional areas in a pre-defined sequence. The sequence minimizes the chance of making false assumptions. The TAM checks the analyzer "from the inside out." For example, the ADC is checked before the IF is checked. This ensures that if no signal is detected through the IF, the fault is in the IF Section and not a faulty ADC. (The ADC measures the video signal from the IF Section.)

The sequence of checks is as follows:

1. Controller Check
2. ADC/Interface Check
3. IF/LOG Check
4. LO Control Check
5. RF Low Band Check

## **Display/Power Supply**

AFI cannot check the Display/Power-Supply Section because this section powers the TAM and provides the display of AFI results.

## **Controller Check**

The TAM performs a check-sum of all ROMs, RAMs, and the EEROM. The CPU is also checked, since parts of the CPU could be nonfunctional while the TAM still operates. These checks are very similar to those done by the analyzer at power-on.

## **ADC/Interface Check**

The keyboard interface and strobe-select circuitry must be functioning correctly, since these are required to operate the TAM. The TAM checks the ADC by attempting to measure three signals from three different locations. This ensures that an open or short in one cable will not hide the fact that the ADC is operating satisfactorily.

The analog bus (W2 Control Cable) is checked by sending data out on the data lines and reading the data back. If this check fails, disconnect one board at a time and rerun AFI to determine if an assembly causes the problem. If the fault remains with all assemblies disconnected from W2, troubleshoot W2 or the A3 Interface Assembly.

## **IF/LOG Check**

The TAM uses the Cal Oscillator on the A4 assembly as the stimulus for checking the IF Section. If the signal is undetected, the TAM repeats the test with a signal originating from the RF Section. Presence of this signal through the IF indicates a faulty Cal Oscillator.

## **LO Control Check**

The LO Control Check verifies test that all phase-lock loops (PLLs) in the Synthesizer Section lock. (Some oscillators are checked to ensure that they will lock outside their normal operating frequency range.) The TAM also performs an operational check on several DACs in the Synthesizer Section.

## **RF Check**

The TAM tests the operation of A8 Low Band Mixer, A9 Input Attenuator, Second IF Distribution, and most of the A13 Second converter.

AFI also checks the Flatness Compensation Amplifiers (part of the A15 RF Assembly), ensuring that their gain can be adjusted over a certain range.

If no signal is detected through the RF Section, AFI will substitute the 298 MHz SIG ID oscillator for the 3rd LO while simultaneously decreasing the 1st LO frequency by 2 MHz. If a signal can now be detected, troubleshoot the 3rd LO Driver Amplifier on the A15 RF Assembly.

## **Manual Probe Troubleshooting**

Manual Probe Troubleshooting probes the instrument's test connectors to perform the following types of measurements:

- Amplifier and oscillator dc current draw by monitoring the voltage across a resistor of known value.
- Oscillator tune voltages ensuring proper operation of phase/frequency detectors and loop integrators.
- Static bias voltages.

If probing a connector for a check yields a "FAIL" indication, select the desired check using either the knob or step keys and press **More Info**. A description of the function checked (with measured and expected voltages/currents) is displayed with a list of additional areas to check. These areas can sometimes be checked by looking at another TAM connector, but usually require manual troubleshooting techniques to isolate the problem further. If an HP-IB

printer is connected, press Print Page to provide a hard copy of the currently displayed screen (the softkey labels will not be printed).

Each test connector has fifteen pins (one pin is missing to act as a key). The pins contain eight measured signal lines (measured signal lines denoted as MS1 through MS8), one input signal line (OS1), one ground, and five pins encoding a five-bit connector address.

The TAM needs to probe each assembly's Revision Connector once; subsequent readings are not necessary. It is possible, for example, to probe the A5 IF Assembly, then the A4 Log Amplifier Assembly, and then return to A5 without having to re-probe A5's Revision Connector. However, the Revision Connector must be re-probed if the spectrum analyzer is returned to normal operation and then back to TAM control. (This is also true if the analyzer is turned off.)

### **Cal Osc. Troubleshooting Mode**

The Cal Osc. Troubleshooting Mode enables front-panel control of the Cal Oscillator on the A4 assembly. The Cal Oscillator can be fixed-tuned to three different frequencies. The Cal Oscillator may also be set to one of five sweep widths, centered at 10.7 MHz.

Fixed-tuned settings:

- 11.5 MHz
- 10.7 MHz
- 9.9 MHz

Sweep-width settings:

- 20** kHz
- 10 kHz
- 4** kHz
- 2** kHz
- .7 kHz

The Cal Osc. Troubleshooting Mode sends the Cal Oscillator output (-35 dBm) to the A5 IF Assembly. On the A5 IF Assembly all crystal filter poles are shorted, all LC poles enabled, and the 15 dB attenuator disabled. Signals from the RF Section are attenuated as much as possible.

---

## Error Messages

The spectrum analyzer displays error messages in the lower right-hand corner of the display. A number, or error code, is associated with each error message. These error messages alert the user to errors in spectrum analyzer function or use.

Multiple error messages may exist simultaneously. Refer to “Viewing Multiple Messages” below.

The following information can be found in this section:

	Page
Viewing Multiple Messages .....	6-15
Error Message Elimination .....	.6-16
System Analyzer Programming Errors (100 to 150) .....	.6-16
ADC Errors (200 to 251) .....	.6-17
LO or RF Failures (300 to 399)	
YTO Loop Errors (300 to 301) .....	6-18
Roller PLL Errors (302 to 316) .....	.6-18
YTO Loop Errors (317 to 318) .....	.6-20
Roller Oscillator Errors (321 to 329) .....	.6-20
YTO Loop Errors(331) .....	..6-2 1
600 MHz Reference Loop (333) .....	6-21
YTO Leveling Loop (334) .....	.6-22
Sampling Oscillator (335) .....	.6-22
Automatic IF Errors (400 to 599) .....	.6-22
System Errors (600 to 651) .....	.6-31
Digital Errors (700 to 799)	
EEROM Checksum Errors (700 to 704) .....	6-31
Program ROM Checksum Errors (705 to 708) .....	6-32
RAM Check Errors (713 to 714) .....	6-33
Microprocessor Error (717) .....	.6-33
Battery Problem (718) .....	.6-33
Model Number Error (719) .....	6-34
System Errors (750 to 757) .....	6-34
Optional Module Errors (800 to 899) .....	.6-34
User Generated Errors (902 to 999) .....	.6-34

### Viewing Multiple Messages

Although multiple errors may exist, the spectrum analyzer displays only one error message at a time. To view any additional messages, do the following:

1. Press **RECALL** and MORE 1 OF 2 .
2. Press RECALL ERRORS . An error message is displayed in the active function block.
3. Use the up and down step keys to scroll through any other error messages which might exist, making note of each error code.

## Error Message Elimination

When an error message is displayed, always perform the following procedure.

1. Press **SAVE** and SAVE STATE.
2. Store the current state in a convenient STATE register. (It may be necessary to set **SAVELOCK** to OFF.)
3. Press **CAL** and REALIGN LO & IF . Wait for the sequence to finish.
4. Press **RECALL** and RECALL STATE.
5. Recall the previously stored STATE.
6. If an error message is still displayed, refer to the list of error messages below for an explanation of the error messages.

## System Analyzer Programming Errors (100 to 150)

Refer to the *HP 8560A/8561B/8563A Spectrum Analyzer Operating and Programming Manual* for information on programming the analyzer.

100 NO PWRON	Power-on state is invalid; default state is loaded. Press (SAVE), PWR ON STATE to clear error message.
101 NO STATE	State to be RECALLED not valid or not SAVED.
106 ABORTED!	Current operation is aborted; HP-IB parser reset.
107 HELLO ??	No HP-IB listener is present.
108 TIME OUT	Analyzer timed out when acting as controller.
109 <b>CtrlFail</b>	Analyzer unable to take control of the bus.
<b>110.</b> NOT CTRL	Analyzer is not system controller.
111 # ARGMTS	Command does not have enough arguments.
112 ??CMD??	Unrecognized command.
113 FREQ NO!	Command cannot have frequency units.
114 TIME NO!	Command cannot have time units.
115 AMPL NO!	Command cannot have amplitude units.
116 <b>?UNITS??</b>	Unrecognizable units.
117 NOP NUM	Command cannot have numeric units.
118 NOP EP	Enable parameter cannot be used.
119 NOP UPDN	UP/DN are not valid arguments for this command.
120 NOP <b>ONOF</b>	ON/OFF are not valid arguments for this command.
121 NOP ARG	AUTO/MAN are not valid arguments for this command.
122 NOP TRC	Trace registers are not valid for this command.
123 NOP ABLK	A-block format not valid here.

124	NOP IBLK	I-block format not valid here.
125	NOP STRNG	Strings are not valid for this command.
126	NO ?	This command cannot be queried.
127	BAD DTMD	Not a valid peak detector mode.
128	PK WHAT?	Not a valid peak search parameter.
129	PRE TERM	Premature A-block termination.
130	BAD TDF	Arguments are only for TDF command.
131	?? AM/FM	AM/FM are not valid arguments for this command.
132	!FAV/RMP	FAV/RAMP are not valid arguments for this command.
133	!INT/EXT	INT/EXT are not valid arguments for this command.
134	??? ZERO	ZERO is not a valid argument for this command.
135	??? CURR	CURR is not a valid argument for this command.
136	??? FULL	FULL is not a valid argument for this command.
137	??? LAST	LAST is not a valid argument for this command.
138	!GRT/DSP	GRT/DSP are not valid arguments for this command.
139	<b>PLOTONLY</b>	Argument can only be used with PLOT command.
140	?? PWRON	PWRON is not a valid argument for this command.
141	BAD ARG	Argument can only be used with FDIAG command.
142	BAD ARG	Query expected for FDIAG command.
143	NO PRESL	No preselector hardware to use command with.
144	<b>COUPL??</b>	Invalid COUPLING argument, expected AC or DC.

### **ADC Errors (200 to 299)**

These errors are directly related to the ADC/Interface Section. Suspect a faulty A2 Controller or A3 Interface assembly.

200	SYSTEM	ADC Driver/ADC Hardware/firmware interaction; check for other errors.
201	SYSTEM	ADC Controller/ADC Hardware/firmware interaction; check for other errors.
250	<b>OUTOF</b> RG	ADC input is outside of ADC range.
251	NO <b>IRQ</b>	Microprocessor not receiving interrupt from ADC.

## LO and RF Hardware/Firmware Failures (300 to 399)

### YTO Loop Errors (300 to 301)

These errors often require troubleshooting the A14 Frequency Control assembly (Synthesizer Section) or the ADC circuits.

- 300 YTO UNLK YTO (1st LO) Loop is unlocked. The ADC measures YTO\_ERR voltage under phase-lock condition.
- 301 YTO UNLK YTO Loop is unlocked. Same as ERR 300 except ERR 301 is set if the voltage is outside certain limits.

### Roller PLL Errors (302 to 316)

These errors indicate a faulty roller oscillator on the A14 Frequency Control assembly. Refer to Chapter 10. The A3 Interface ADC circuits may also be faulty. If error codes 333 and 499 are present, suspect the 10 MHz Reference, the A21 OCXO, or on the A15 assembly (Option 103).

- 302 OFF UNLK Offset roller oscillator PLL is unlocked. May indicate loss of 10 MHz reference. The 10 MHz reference should measure greater than -7 dBm at A15J303. The ADC measures OFFSENSE at the beginning of each sweep and, if the voltage is outside certain limits, the offset oscillator pretuned DAC is adjusted to bring OFFSENSE within the proper range. ERR 302 is set if this cannot be accomplished.
- 303 XFR UNLK Transfer roller oscillator PLL is unlocked. May indicate loss of 10 MHz reference. The 10 MHz reference should measure greater than -7 dBm at A15J303. The ADC measures XFRSENSE at the beginning of each sweep and, if the voltage is outside certain limits, the transfer oscillator pretuned DAC is adjusted to bring XFRSENSE within the proper range. ERR 303 is set if this cannot be accomplished.
- 304 ROL UNLK Main roller oscillator PLL is unlocked. May indicate loss of 10 MHz reference. The 10 MHz reference should measure greater than -7 dBm at A15J303. The ADC measures MAINSENSE at the beginning of each sweep and, if the voltage is outside certain limits, the main roller pretune DAC is adjusted to bring OFFSENSE within the proper range. ERR 304 is set if this cannot be accomplished.
- 305 **FREQ** ACC Unable to adjust MAINSENSE close to 0 volts using the coarse adjust DAC. The coarse adjust and fine adjust DAC are used together to set MAINSENSE to 0 volts with the loop opened. ERR 305 is set if the coarse adjust DAC cannot bring MAINSENSE close enough to 0 volts for the fine adjust DAC to bring MAINSENSE to exactly 0 volts.
- 306 **FREQ** ACC Unable to adjust MAINSENSE to 0 volts using the fine adjust DAC. The coarse adjust and fine adjust DAC are used together to set MAINSENSE to 0 volts with the loop opened. ERR 306 is set if the fine adjust DAC cannot bring MAINSENSE to 0 volts.

- 307 **FREQ ACC** Transfer oscillator pretuned DAC out of range. The transfer oscillator pretune procedure attempts to find pretuned DAC values by programming the PLL to 25 different frequencies and incrementing the transfer oscillator pretune DAC until XFRSENSE changes polarity. ERR 307 is set if the DAC is set to 255 (maximum) before XFRSENSE changes polarity.
- 308 **FREQ ACC** Offset oscillator pretune DAC not within prescribed limits at low frequency. The offset oscillator pretune DAC is set to provide a frequency less than 189 MHz while the PLL is programmed for 189 MHz. ERR 308 is set if XFRSENSE is greater than +5 V (it should be at the negative rail).
- 309 **FREQ ACC** Offset oscillator pretune DAC not within prescribed limits at high frequency. The offset oscillator pretune DAC is set to provide a frequency less than 204 MHz while the PLL is programmed for 204 MHz. ERR 309 is set if XFRSENSE is greater than +5 V (it should be at the negative rail).
- 310 **FREQ ACC** Main roller pretune DAC set to 255. The main roller pretune DAC is set to 5, causing MAINSENSE to go to the positive rail. The DAC is incremented until MAINSENSE changes polarity. ERR 310 is set if the DAC is set to 255 before MAINSENSE changes to a negative polarity.
- 311 **FREQ ACC** Main roller pretune DAC set to 255. The main roller pretune DAC is set to 5, causing MAINSENSE to go to the positive rail. The DAC is incremented until MAINSENSE changes polarity. ERR 311 is set if the DAC is set to 255 before MAINSENSE changes to a negative polarity.
- 312 **FREQ ACC** Unable to adjust MAINSENSE to 0 volts using the fine adjust DAC. The coarse adjust and fine adjust DAC are used together to set MAINSENSE to 0 volts with the loop opened. ERR 312 is set if the fine adjust DAC cannot bring MAINSENSE to 0 volts.
- 313 **FREQ ACC** Error in LO synthesis algorithm. ERR 313 is set if a combination of Sampler oscillator and roller oscillator frequencies could not be found to correspond to the required YTO start frequency. Contact the factory.
- 314 **FREQ ACC** Indicates problems in the span calibration. Troubleshoot any unlocks before attempting to troubleshoot span calibration problems, because the loops must all lock in order to perform the calibration. If LO spans greater than 1 MHz are correct, check A14U114B, A14U115A, A14U116, or A14Q101. This error message appears when the main roller oscillator sweep sensitivity is 0. A sweep ramp is injected into the locked main roller loop which should generate a negative-going ramp on MAINSENSE. ERR 314 is set if the slope of this ramp is 0. This is an indication of an unlocked main roller loop or lack of a sweep ramp.



315 **FREQ ACC** Indicates problems in the span calibration. Troubleshoot any unlocks before attempting to troubleshoot span calibration problems, because the loops must all lock in order to perform the calibration. If LO spans greater than 1 MHz are correct, check A14U114B , A14U115A, A14U116, or A14Q101. This error message appears when the roller Span Attenuator DAC is out of range. This DAC value is recalculated each time there are changes to the span or start frequency. ERR 315 is set if this value is less than 10 or greater than 245.

316 **FREQ ACC** Sensitivity of main roller pretune DAC is 0. Once the main roller is locked, the MAINSENSE voltage is measured and the pretune DAC value is incremented by two. ERR 316 is set if the difference between the new MAINSENSE voltage and the previous MAINSENSE voltage is 0.

### **YTO Loop Errors (317 to 318)**

These messages indicate that the YTO Main Coil Coarse DAC (ERR 317) or fine DAC (ERR 318) is at its limit. If error codes 300 or 301 are not present, a hardware problem exists in the YTO loop but the loop can still acquire lock. Refer to Chapter 10 to troubleshoot the YTO PLL. The ADC circuit on the A3 Interface assembly may also cause this error.

317 **FREQ ACC** Main coil coarse DAC at limit. The main coil coarse DAC is set to bring YTO ERR close enough to 0 volts for the main coil fine DAC to bring YTO ERR to exactly 0 volts. ERR 317 is set if the main coil coarse DAC is set to one of its limits before bringing YTO ERR close enough to 0 volts.

318 **FREQ ACC** Main coil fine DAC at limit. The main coil fine DAC is set to bring YTO ERR to 0 volts after the main coil coarse DAC has brought YTO ERR close to 0 volts. ERR 318 is set if the main coil fine DAC is set to one of its limits before bringing YTO ERR to 0 volts.

### **Roller Oscillator Errors (321 to 329)**

These errors indicate a faulty roller oscillator on the A14 Frequency Control assembly. Refer to Chapter 10. The A3 Interface ADC circuits may also be faulty. If error codes 333 and 499 are also present, suspect the 10 MHz Reference, the A21 OCXO, or the A15 assembly (Option 103).

321 **FREQ ACC** Main roller tuning sensitivity is not greater than 0. The MAINSENSE voltage is noted in a locked condition and the main roller is programmed to a frequency 400 kHz higher. ERR 321 is set if the new MAINSENSE voltage is not greater than the previous MAINSENSE voltage.

322 **FREQ ACC** Main roller pretune DAC value set greater than 255. During the LO adjust sequence, the main roller is locked and then programmed to a frequency 1.6 MHz higher. A new pretune DAC value is calculated based upon the main roller tuning sensitivity. ERR 322 is set if this calculated value is greater than 255.

- 324 **FREQ ACC** Unable to adjust MAINSENSE close to 0 volts using the coarse adjust DAC. The coarse adjust and fine adjust DAC are used together to set MAINSENSE to 0 volts with the loop opened. ERR 324 is set if the coarse adjust DAC cannot bring MAINSENSE close enough to 0 volts for the fine adjust DACs to bring MAINSENSE to exactly 0 volts.
- 325 **FREQ ACC** Unable to adjust MAINSENSE to 0 volts using the fine adjust DAC. The coarse adjust and fine adjust DAC are used together to set MAINSENSE to 0 volts with the loop opened. ERR 325 is set if the fine adjust DAC cannot bring MAINSENSE to 0 volts.
- 326 **FREQ ACC** Fine adjust DAC near end of range. The fine adjust DAC is set to bring MAINSENSE to 0 volts. ERR 326 is set if the fine adjust DAC value is set to less than 5 or greater than 250.
- 327 **OFF UNLK** Offset roller oscillator PLL is unlocked. May indicate loss of 10 MHz reference. The 10 MHz reference should measure greater than -7 dBm at A15J303. The ADC measures OFFSENSE at the beginning of each sweep and, if the voltage is outside certain limits, the offset oscillator pretune DAC is adjusted to bring OFFSENSE within the proper range. ERR 327 is set if this cannot be accomplished.
- 328 **FREQ ACC** Roller fine adjust DAC sensitivity less than or equal to 0. During the LO adjust routine, the fine adjust DAC is set to two different values and the MAINSENSE voltage is measured at each setting. ERR 328 is set if the difference between these voltages is 0 or negative. This is typically the result of the main roller loop's being unlocked.
- 329 **FREQ ACC** Roller coarse adjust DAC sensitivity less than or equal to 0. During the LO adjust routine, the coarse adjust DAC is set to two different values and the MAINSENSE voltage is measured at each setting. ERR 329 is set if the difference between these voltages is 0 or negative. This is typically the result of the main roller loop's being unlocked.

### **YTO Loop Errors (331)**

This error rarely occurs but is usually indicative of a digital hardware failure.

- 331 **FREQ ACC** Invalid YTO frequency. Firmware attempted to set the YTO to a frequency outside the range of the YTO (2.95 to 6.8107 GHz). Suspect a digital hardware problem, such as a bad RAM on the A2 Controller assembly. Contact the factory.

### **600 MHz Reference Loop (333)**

This error requires troubleshooting the A14 Frequency Control assembly (Synthesizer Section) or the ADC circuits.

- 333 **600 UNLK** The 600 MHz Reference Oscillator PLL is unlocked. If error codes 302, 303, 304, 327 or 499 are also present, suspect the 10 MHz Reference, the A21 OCXO, or the TCXO on Option 103, or the A15 RF assembly. ERR 333 is set if LO3ERR is outside of its prescribed limits.

### YTO Leveling Loop (334)

This error often requires troubleshooting the A14 Frequency Control assembly or A7 LODA (Synthesizer Section) or the ADC circuits.

334 LO AMPL

1ST LO Distribution Amplifier is unlevelled. This error is usually accompanied by error codes 300 or 301. ERR 301 YTO UNLK is cleared once ERR 334 has been cleared. Check the output of the All YTO with the jumper on A14J23 in the TEST position. The YTO power output should be between +9 and +13 dBm. If the YTO is working properly, refer to “A7 LODA Drive” in Chapter 10. The LODA AGC voltage is monitored by the ADC. ERR 334 is set if LODA AGC is outside of its prescribed limits. Refer to “A7 LODA Drive” in Chapter 11. Error 334 may also be displayed if the front-panel LO OUTPUT is not terminated into 50 ohms.

### Sampling Oscillator (335)

This error indicates an unlocked Sampling oscillator (also known as the offset Lock Loop).

335 SMP UNLK

Sampling oscillator PLL is unlocked. ERR 335 is set if OFL\_ERR is outside its prescribed limits.

### Automatic IF Errors (400 to 599)

These error codes are generated when the automatic IF adjustment routine detects a fault. This routine first adjusts amplitude parameters, then resolution bandwidths in this sequence: 300 kHz, 1 MHz, 100 kHz, 30 kHz, 10 kHz, 3 kHz, 1 kHz, 300 Hz, 100 Hz, 30 Hz, 10 Hz, and 2 MHz. The routine restarts from the beginning if a fault is detected. Parameters adjusted after the routine begins but before the fault is detected are correct; parameters adjusted later in the sequence are suspect. Refer to “Automatic IF Adjustment” in Chapter 8.

The IF Section relies on the ADC and video circuitry to perform its continuous IF adjustments. IF-related errors occur if the ADC, video circuitry, or A4 assembly linear path is faulty.

400 AMPL 100

Unable to adjust amplitude of 100 Hz Resolution Bandwidth.

401 AMPL 300

Unable to adjust amplitude of 300 Hz Resolution Bandwidth.

402 AMPL 1K

Unable to adjust amplitude of 1 kHz Resolution Bandwidth.

403 AMPL 3K

Unable to adjust amplitude of 3 kHz Resolution Bandwidth.

404 AMPL 10K

Unable to adjust amplitude of 10 kHz Resolution Bandwidth.

**Errors 405 to 416:** When these 10K resolution bandwidth (RBW) error messages appear, use the following steps to check for errors 581 or 582.

1. Set the spectrum analyzer (LINE) switch OFF.
2. Set the spectrum analyzer **LINE** switch ON and observe the lower right-hand corner of the display for 10 seconds.

3. If ERR 581 or ERR 582 appears, the fault is most likely caused by the Cal Oscillator. Refer to errors 581 and 582.
4. If ERR 581 or ERR 582 does not appear, troubleshoot the A5 IF assembly.

Multiple IF Errors During IF adjust: If a FULL IF ADJ sequence (pressing **CAL** and FULL IF ADJ ) results in IF errors while displaying IF ADJUST STATUS: AMPLITUDE, A4 Cal Oscillator might not be providing the correct output signal. Perform the following steps:

1. Disconnect W30 (white) from A5J4.
2. Connect W30 to the input of a second spectrum analyzer and set its controls as follows:

Center Frequency . . . . . 10.7 MHz  
Reference Level . . . . . -30 dBm

3. Observe the spectrum analyzer display while pressing FULL IF ADJ on the spectrum analyzer. If a -35 dBm signal does not appear, troubleshoot the A4 Cal Oscillator.
4. If a -35 dBm signal does appear, troubleshoot the A5 IF assembly.

<b>405</b>	RBW 10K	Unable to adjust 10 kHz Resolution Bandwidth in first XTAL pole.
<b>406</b>	RBW 10K	Unable to adjust 10 kHz Resolution Bandwidth in second XTAL pole.
<b>407</b>	RBW 10K	Unable to adjust 10 kHz Resolution Bandwidth in third XTAL pole.
<b>408</b>	RBW 10K	Unable to adjust 10 kHz Resolution Bandwidth in Fourth XTAL pole.
409	RBW 10K	Unable to adjust 10 kHz Resolution Bandwidth in first XTAL pole.
410	RBW 10K	Unable to adjust 10 kHz Resolution Bandwidth in second XTAL pole.
411	RBW 10K	Unable to adjust 10 kHz Resolution Bandwidth in third XTAL pole.
412	RBW 10K	Unable to adjust 10 kHz Resolution Bandwidth in Fourth XTAL pole.
413	RBW 10K	Unable to adjust 10 kHz Resolution Bandwidth in first XTAL pole.
414	RBW 10K	Unable to adjust 10 kHz Resolution Bandwidth in second XTAL pole.
415	RBW 10K	Unable to adjust 10 kHz Resolution Bandwidth in third XTAL pole.
416	RBW 10K	Unable to adjust 10 kHz Resolution Bandwidth in Fourth XTAL pole.
417	RBW 3K	Unable to adjust 3 kHz Resolution Bandwidth in first XTAL pole.
418	RBW 3K	Unable to adjust 3 kHz Resolution Bandwidth in second XTAL pole.
419	RBW 3K	Unable to adjust 3 kHz Resolution Bandwidth in third XTAL pole.
420	RBW 3K	Unable to adjust 3 kHz Resolution Bandwidth in Fourth XTAL pole.
421	RBW 10K	Unable to adjust 10 kHz Resolution Bandwidth in first XTAL pole.
422	RBW 10K	Unable to adjust 10 kHz Resolution Bandwidth in second XTAL pole.
423	RBW 10K	Unable to adjust 10 kHz Resolution Bandwidth in third XTAL pole.
424	RBW 10K	Unable to adjust 10 kHz Resolution Bandwidth in Fourth XTAL pole.

425 RBW 3K	Unable to adjust 3 kHz Resolution Bandwidth in first XTAL pole.
426 RBW 3K	Unable to adjust 3 kHz Resolution Bandwidth in second XTAL pole.
427 RBW 3K	Unable to adjust 3 kHz Resolution Bandwidth in third XTAL pole.
428 RBW 3K	Unable to adjust 3 kHz Resolution Bandwidth in Fourth XTAL pole.
429 RBW 100	Unable to adjust 100 Hz Resolution Bandwidth. ADC Handshake.
430 RBW 300	Unable to adjust 300 Hz Resolution Bandwidth. ADC Handshake.
431 RBW 1K	Unable to adjust 1 kHz Resolution Bandwidth. ADC Handshake.
432 RBW 3K	Unable to adjust 3 kHz Resolution Bandwidth. ADC Handshake.
433 RBW 10K	Unable to adjust 10 kHz Resolution Bandwidth. ADC Handshake.
434 RBW 300	300 Hz Resolution Bandwidth amplitude low in first XTAL pole.
435 RBW 300	300 Hz Resolution Bandwidth amplitude low in second XTAL pole.
436 RBW 300	300 Hz Resolution Bandwidth amplitude low in third XTAL pole.
437 RBW 300	300 Hz Resolution Bandwidth amplitude low in Fourth XTAL pole.
438 RBW 1K	1 kHz Resolution Bandwidth amplitude low in first XTAL pole.
439 RBW 1K	1 kHz Resolution Bandwidth amplitude low in second XTAL pole.
440 RBW 1K	1 kHz Resolution Bandwidth amplitude low in third XTAL pole.
441 RBW 1K	1 kHz Resolution Bandwidth amplitude low in Fourth XTAL pole.
442 RBW 3K	3 kHz Resolution Bandwidth amplitude low in first XTAL pole.
443 RBW 3K	3 kHz Resolution Bandwidth amplitude low in second XTAL pole.
444 RBW 3K	3 kHz Resolution Bandwidth amplitude low in third XTAL pole.
445 RBW 3K	3 kHz Resolution Bandwidth amplitude low in Fourth XTAL pole.
446 RBW 10K	10 kHz Resolution Bandwidth amplitude low in first XTAL pole.
447 RBW 10K	10 kHz Resolution Bandwidth amplitude low in second XTAL pole.
448 RBW 10K	10 kHz Resolution Bandwidth amplitude low in third XTAL pole.
449 RBW 10K	10 kHz Resolution Bandwidth amplitude low in Fourth XTAL pole.
450 IF SYSTM	IF hardware failure. Check other error messages.
451 IF SYSTM	IF hardware failure. Check other error messages.
452 IF SYSTM	IF hardware failure. Check other error messages.
454 AMPL	Unable to adjust step gain amplifiers. Lin to Log utility. Check other errors.
455 AMPL	Unable to adjust fine attenuator. Lin to Log conversion AMPL1.
456 AMPL	Unable to adjust fine attenuator. Lin to Log conversion AMPL2.
457 AMPL	Unable to adjust fine attenuator. Lin to log conversion AMPL3.
458 AMPL	Unable to adjust first step gain stage. Lin to log conversion AMPL4.
459 AMPL	Unable to adjust first step gain stage. Lin to log conversion AMPL5.

460	AMPL	Unable to adjust first step gain stage. Lin to log conversion AMPL6.
461	AMPL	Unable to adjust second step gain stage. Lin to log conversion AMPL7.
462	AMPL	Unable to adjust second step Gain stage. Lin to log conversion AMPL8.
463	AMPL	Unable to adjust third step Gain stage. Lin to log conversion AMPL9.
464	AMPL	Unable to adjust third step Gain stage. Lin to log conversion AMPL10.
465	AMPL	Unable to adjust third step Gain stage. Lin to log conversion AMPL11.
466	LIN AMPL	Unable to adjust linear amplifier scale. Lin to log conversion AMPL12.
467	AMPL	Unable to adjust step gain amplifiers. Lin to log conversion AMPL13.
468	AMPL	Unable to adjust third step Gain stage. Lin to log conversion AMPL14.
469	AMPL	Unable to adjust step gain amplifiers. Lin to log conversion AMPL15.
470	AMPL	Unable to adjust third step Gain stage. Lin to log conversion AMPL16.
471	RBW 30K	Unable to adjust 30 kHz Resolution Bandwidth in first LC pole.
472	RBW <b>100K</b>	Unable to adjust 100 kHz Resolution Bandwidth in first LC pole.
473	RBW 300K	Unable to adjust 300 kHz Resolution Bandwidth in first LC pole.
474	RBW <b>1M</b>	Unable to adjust 1 MHz Resolution Bandwidth in first LC pole.
475	RBW 30K	Unable to adjust 30 kHz Resolution Bandwidth in second LC pole.
476	RBW <b>100K</b>	Unable to adjust 100 kHz Resolution Bandwidth in second LC pole.
477	RBW 300K	Unable to adjust 300 kHz Resolution Bandwidth in second LC pole.
478	RBW <b>1M</b>	Unable to adjust 1 MHz Resolution Bandwidth in second LC pole.
483	RBW <b>10K</b>	Unable to adjust 10 kHz Resolution Bandwidth. XTAL1
484	RBW 3K	Unable to adjust 3 kHz Resolution Bandwidth. XTAL2
485	RBW <b>1K</b>	Unable to adjust 1 kHz Resolution Bandwidth. XTAL3
486	RBW 300	Unable to adjust 300 Hz Resolution Bandwidth. XTAL4
487	RBW 100	Unable to adjust 100 Hz Resolution Bandwidth. XTAL5
488	RBW 10	Unable to adjust 100 Hz Resolution Bandwidth.
489	RBW 100	Unable to adjust 100 Hz Resolution Bandwidth.
490	RBW 100	Unable to adjust 100 Hz Resolution Bandwidth.
491	RBW 100	Unable to adjust 100 Hz Resolution Bandwidth. XTAL SWP GAIN
492	RBW 300	Unable to adjust 300 Hz Resolution Bandwidth. XTAL SWP GAIN
493	RBW <b>1K</b>	Unable to adjust 1 kHz Resolution Bandwidth. XTAL SWP GAIN
494	RBW 3K	Unable to adjust 3 kHz Resolution Bandwidth. XTAL SWP GAIN

495 RBW <b>10K</b>	Unable to adjust 10 kHz Resolution Bandwidth. XTAL SWP GAIN
496 RBW 100	Unable to adjust 100 Hz Resolution Bandwidth. Inadequate Q.
497 RBW 100	Unable to adjust 100 Hz Resolution Bandwidth. Alignment problem.
498 RBW 100	Unable to adjust 100 Hz Resolution Bandwidth. Gain.
499 CAL UNLK	Cal Oscillator is unlocked. Verify the unlocked conditions as follows: <ol style="list-style-type: none"> <li>1. Place A4 in its service position and disconnect W51 (gray-yellow) from A4J7.</li> <li>2. Connect W51 to the input of another spectrum analyzer. This is the 10 MHz reference for the Cal Oscillator.</li> <li>3. If a 10 MHz signal (approximately 0 dBm) is not present, suspect the A15 RF assembly, the A21 OCXO, or the A15 assembly TCXO (Option 103). If the 10 MHz reference is present, continue with step 4.</li> <li>4. Reconnect W17 to A4J7 and monitor the tune voltage at A4J9 pin 3 with an oscilloscope.</li> <li>5. Press (<u>PRESET</u>) on the spectrum analyzer under test.</li> <li>6. If the voltage is either +15 V dc or -15 V dc, the Cal Oscillator is probably at fault. Normally, the voltage should be near +15 V during a sweep, and between -9 V and +9 V during retrace.</li> </ol>

An intermittent error 499 indicates the Cal Osc phase-locked-loop probably can lock at 10.7 MHz, but cannot lock at the 9.9 and 11.5 MHz extremes. This may prevent the Cal Oscillator from adjusting the 1 MHz or 30 kHz through 300 kHz bandwidths. This symptom implies a failure in the oscillator, function block X. (See the A4 Log Amp/ Cal Oscillator schematic sheet 4 of 4.) The oscillator is unable to tune the required frequency range with the -9 V to +9 V control voltage. Troubleshoot A4CR802 (most probable cause),

L801, C808, C809, and U807.

500 AMPL 30K	Unable to adjust amplitude of 30 kHz Resolution Bandwidth.
501 AMPL .1M	Unable to adjust amplitude of 100 kHz Resolution Bandwidth.
502 AMPL .3M	Unable to adjust amplitude of 300 kHz Resolution Bandwidth.
503 AMPL 1M	Unable to adjust amplitude of 1 MHz Resolution Bandwidth.
504 AMPL 30K	Unable to adjust amplitude of 30 kHz Resolution Bandwidth.
505 AMPL .1M	Unable to adjust amplitude of 100 kHz Resolution Bandwidth.
506 AMPL .3M	Unable to adjust amplitude of 300 kHz Resolution Bandwidth.
507 AMPL 1M	Unable to adjust amplitude of 1 MHz Resolution Bandwidth.
508 AMPL 30K	Unable to adjust amplitude of 30 kHz Resolution Bandwidth. Insufficient gain during LC BW Cal.
509 AMPL .1M	Unable to adjust amplitude of 100 kHz Resolution Bandwidth. Insufficient gain during LC BW Cal.



510	AMPL <b>.3M</b>	Unable to adjust amplitude of 300 kHz Resolution Bandwidth. Insufficient gain during LC BW Cal.
511	AMPL <b>1M</b>	Unable to adjust amplitude of 1 MHz Resolution Bandwidth. Insufficient gain during LC BW Cal.
512	RBW 100	Unable to adjust 100 Hz Resolution Bandwidth. Insufficient gain during crystal BW Cal.
513	RBW 300	Unable to adjust 300 Hz Resolution Bandwidth. Insufficient gain during crystal BW Cal.
514	RBW <b>1K</b>	Unable to adjust 1 kHz Resolution Bandwidth. Insufficient gain during crystal BW Cal.
515	RBW 3K	Unable to adjust 3 kHz Resolution Bandwidth. Insufficient gain during crystal BW Cal.
516	RBW <b>10K</b>	Unable to adjust 10 kHz Resolution Bandwidth. Insufficient gain during crystal BW Cal.
517	RBW 100	Unable to adjust 100 Hz Resolution Bandwidth. Crystal Sweep problem.
518	RBW 300	Unable to adjust 300 Hz Resolution Bandwidth. Crystal Sweep problem.
519	RBW <b>1K</b>	Unable to adjust 1 kHz Resolution Bandwidth. Crystal Sweep problem.
520	RBW 3K	Unable to adjust 3 kHz Resolution Bandwidth. Crystal Sweep problem.
521	RBW <b>10K</b>	Unable to adjust 10 kHz Resolution Bandwidth. Crystal Sweep problem.
522	RBW <b>10K</b>	Unable to adjust symmetry of 10 kHz Resolution Bandwidth in first XTAL pole.
523	RBW <b>10K</b>	Unable to adjust symmetry of 10 kHz Resolution Bandwidth in second XTAL pole.
524	RBW <b>10K</b>	Unable to adjust symmetry of 10 kHz Resolution Bandwidth in third XTAL pole.
525	RBW <b>10K</b>	Unable to adjust symmetry of 10 kHz Resolution Bandwidth in Fourth XTAL pole.
526	RBW <b>&lt;300</b>	ADC timeout during IF ADJUST of <300 Hz Resolution Bandwidth.
527	RBW <b>&lt;300</b>	Step gain correction failed for <300 Hz Resolution Bandwidth. Check narrow BW SGO attenuator.
528	RBW <b>&lt;300</b>	Calibration of dc level at ADC failed for <300 Hz Resolution Bandwidth.
529	RBW <b>&lt;300</b>	Invalid demodulated data for <300 Hz Resolution Bandwidth flatness and IF down-converter. Demod data for calibration may be bad.
530	RBW <b>&lt;300</b>	Adjustment of VCXO down-converter failed. Narrow BW VCXO calibration failed.



531	RBW <300	Flatness correction data for Resolution Bandwidths <300 Hz not acceptable.
532	RBW <300	Absolute gain data for Resolution Bandwidths <300 Hz not acceptable.
533	RBW <300	ADC timeout using <300 Hz Resolution Bandwidth.
534	RBW <300	Unable to do frequency count of CAL OSC using IF down-converter.
535	RBW <300	Unable to obtain adequate FM demod range to measure 500 Hz IF filter.
536	RBW <300	Unable to auto-range chirp signal while setting VCXO or doing flatness calibration for <300 Hz Resolution Bandwidth.
537	RBW <300	Unable to auto-range CW CAL OSC signal to count VCXO signal.
538	RBW <300	Shape of 500 Hz IF filter appears too noisy to adjust VCXO down-converter.
539	RBW <300	Unable to auto-range the CW CAL OSC signal to pretune VCXO.
540	RBW <300	Unable to find CW CAL OSC signal during VCXO pretune at power-up.
550	LOG AMPL	CAL Oscillator ID. Indicates incompatible hardware. Cal Osc not expected
551	LOG AMPL	LOG Board ID. Indicates incompatible hardware. Log board not expected.
552	LOG AMPL	Unable to adjust amplitude of log scale.
553	LOG AMPL	Unable to adjust amplitude of log scale. Divide by 0_D in CalLogGain problem.
554	LOG AMPL	Unable to adjust amplitude of log scale. Divide by 0_M in CalLogGain problem.
555	LOG AMPL	Unable to adjust amplitude of log scale. No TOS_G in CalLogGain.
556	LOG AMPL	Unable to adjust amplitude of log scale. No TOS_O in CalLogGain.
557	LOG AMPL	Unable to adjust amplitude of log scale. Insufficient IF gain in CalLogGain.
558	LOG AMPL	Unable to adjust amplitude of log scale. Negative M, 0 in CalLogGain.
559	LOG AMPL	Unable to adjust amplitude of log scale. Low MDAC value.
560	LOG AMPL	Unable to adjust amplitude of log scale. High MDAC value.
561	LOG AMPL	Unable to adjust amplitude of log scale. Possible problem in Second Step Gain/P1 offset in CalLogGain.
562	LOG AMPL	Unable to adjust amplitude of log scale. Possible problem in Second Step Gain/P2 offset in CalLogGain.
563	LOG AMPL	Unable to adjust amplitude of log scale. Possible problem in Third Step Gain range in CalLogGain.

## 6-28 General Troubleshooting

564	LOG AMPL	Unable to adjust amplitude of log scale. No compression in CalLogPower .
565	LOG AMPL	Unable to adjust amplitude of log scale. Gain compression error in CalLogPower.
566	LOG AMPL	Unable to adjust amplitude of log scale. Unable to set LOG CAL LVL in CalLogPower
567	LOG AMPL	Unable to adjust amplitude of log scale. No TOS LX in CalLogExpand. Possible problem in Log offset/Log Expand stage.
568	LOG AMPL	Unable to adjust amplitude of log scale. No LVL LX in CalLog Power. Possible problem in Log offset/Log Expand stage.
569	LOG AMPL	Unable to adjust amplitude of log scale. Low MDACX value in CalLogExpand. Possible problem in Log offset/Log Expand stage.
570	LOG AMPL	Unable to adjust amplitude of log scale. High MDACX value in CalLogExpand. Possible problem in Log offset/Log Expand stage.
571	AMPL	Unable to adjust step gain amplifiers. No TOS_D in CalDetectors.
572	AMPL <b>1M</b>	Unable to adjust amplitude of 1 MHz Resolution Bandwidth. No TOS-W in CalWidebandLog.
573	LOG AMPL	Unable to adjust amplitude of log scale. Video offset error +0. Check video offset circuitry.
574	LOG AMPL	Unable to adjust amplitude of log scale. Video offset error +1. Check video offset circuitry.
575	LOG AMPL	Unable to adjust amplitude of log scale. Video offset error +2. Check video offset circuitry.
576	LOG AMPL	Unable to adjust amplitude of log scale. Video offset error +3. Check video offset circuitry.
577	LOG AMPL	Unable to adjust amplitude of log scale. Video offset error +4. Check video offset circuitry.
578	LOG AMPL	Lim Calibration error from DC Logger Cal
579	LOG AMPL	Attenuator CAL level error from DC Logger Cal.
580	LOG AMPL	FID CAL level error from DC Logger Cal
581	AMPL	Unable to adjust 100 kHz and $\leq 10$ kHz Resolution Bandwidths. ADC/CALOSC handshake CAL in Sweep Xtal problem. Refer to Error 582.

582 AMPL

Unable to adjust 100 kHz and  $\leq 10$  kHz Resolution Bandwidths. Bad CALOSC Calibration in Sweep Rate. Test the 100 kHz Resolution Bandwidth filter 3 dB bandwidth as follows:

1. Connect the CAL OUTPUT signal (A4J8) to the INPUT 50R.
2. Press (PRESET) and set the controls as follows:

CENTER FREQ ..... 300 MHz  
 SPAN ..... 500kHz  
 Resolution Bandwidth ..... 100 kHz  
 LOG dB/DIV ..... 1 dB  
 REF LEVEL . . . . adjust to place signal peak at top of the screen

3. Press (PEAK SEARCH) and MARKER DELTA and turn the knob clockwise to position the marker until the delta MKR reads -3 dB +/- .1 dB.
4. Press MARKER DELTA and move the marker to the other side of the peak until the delta MKR reads 0 dB +/- .1 dB.
5. If the delta MKR frequency is between 90 kHz and 110 kHz, the 100 kHz Resolution Bandwidth is working properly. If the frequency is outside these limits, read the following information on the A4 Cal Oscillator sweep generator.

If the 100 kHz Resolution Bandwidth works properly, the A4 Cal Oscillator sweep generator is failing to sweep its oscillator frequency at the correct rate. The error is detected in sweeping on the skirts of the 100 kHz Resolution Bandwidth.

A properly operating sweep generator generates a series of negative-going parabolas. These parabolas generate the sweeps used to adjust resolution bandwidths of 10 kHz and below. Check the sweep generator with the following steps. Refer also to “300 Hz to 3 kHz Resolution Bandwidth Out of Specification” in the A4 Cal Oscillator troubleshooting text in Chapter 8.

1. Remove the shields.
2. Connect an oscilloscope probe to A4U804C pin 8.
3. On the spectrum analyzer, press (CAL) and FULL IF ADJ .
4. Approximately 8 seconds after starting the FULL IF ADJ , check for negative-going parabolas (similar to half-sine waves) 5 ms wide and approximately -4 V at their peak. Refer to Chapter 8, “IF Section,” for more information on the A4 Log Amp/Cal Oscillator Assembly.

583 RBW 30K

Unable to adjust 30 kHz Resolution Bandwidth. SYSBW and LCBW disagreement in LCCAL.

584 RBW 100K

Unable to adjust 100 kHz Resolution Bandwidth. SYSBW and LCBW disagreement in LCCAL.

585 RBW 300K	Unable to adjust 300 kHz Resolution Bandwidth. SYSBW and LCBW disagreement in LCCAL.
586 RBW 1M	Unable to adjust 1 MHz Resolution Bandwidth. SYSBW and LCBW disagreement in LCCAL.
587 RBW 30K	Unable to adjust 30 kHz Resolution Bandwidth. SYSBW and LCBW disagreement in LCCAL.
588 RBW 100K	Unable to adjust 100 kHz Resolution Bandwidth. SYSBW and LCBW disagreement in LCCAL.
589 RBW 300K	Unable to adjust 300 kHz Resolution Bandwidth. SYSBW and LCBW disagreement in LCCAL.
590 RBW 1M	Unable to adjust 1 MHz Resolution Bandwidth. SYSBW and LCBW disagreement in LCCAL.
591 LOG AMPL	Unable to adjust amplitude of log scale. No power sweep in find compression point.
592 LOG AMPL	Unable to adjust amplitude of log scale. No compression BOW in find compression point.
593 LOG TUNE	LIMIT Cal tune error from DC Logger Calibration.
594 LOG OFST	Attenuator Calibration Offset error from DC Logger Calibration.
595 LOG ATTN	Attenuator Calibration Absolute error from DC Logger Calibration.
596 LOG FID	Fidelity error from DC Logger Calibration.
597 LOG OFST	Fidelity Offset error from DC Logger Calibration.
598 LOG OFST	Fidelity Offset unstable from DC Logger calibration.
599 LOG GAIN	Fidelity Gain error from DC Logger calibration.

### System Errors (600 to 651)

ADC timeout errors occur if the A2 Controller assembly frequency counter is faulty. Refer to Chapter 7, “ADC/Interface Section.”

600 SYSTEM	Hardware/firmware interaction; check other errors.
601 SYSTEM	Hardware/firmware interaction; check other errors.
650 <del>OUTOF</del> RG	ADC input is outside of the ADC range.
651 NO IRQ	Microprocessor is not receiving interrupt from ADC.

### Digital and Checksum Errors (700 to 799)

#### EEROM Checksum Errors (700 to 704)

Faults on the A2 Controller assembly can cause these errors. Refer to Chapter 9, “Controller Section.” Although some of these errors might result in a blanked display, it is possible to read these errors over HP-IB. Refer to “Troubleshooting to a Functional Section” in this chapter.

The EEROM on A2 is used to store data for frequency response correction, elapsed time, focus, and intensity levels. Error codes from 700 to 703 indicate that some part of the data in EEROM is invalid. An EEROM error could result from either a defective EEROM or an improper sequence of storing data in EEROM. Check the EEROM with the following steps:

1. Place the WR PROT/WR ENA jumper on the A2 Controller assembly in the WR ENA position.
2. On the spectrum analyzer, press **CAL** MORE 1 OF 2, SERVICE CAL DATA, FLATNESS, and FLATNESS DATA. Enter a value of 130. Press PREV MENU, STORE DATA, YES, and **DISPLAY**.
3. Press **INTEN**, enter an intensity value of 90, and press STORE **INTEN**.
4. Press MORE 1 OF 2 FOCUS, enter a focus value of 128, and press STORE FOCUS. Turn the (LINE) switch off, then on, cycling the power.
5. If errors are still present, the EEROM A2U501 is defective. Refer to the EEROM replacement procedure in Chapter 3.

700 EEROM	Check-sum error of EEROM A2U501.
701 AMPL CAL	Check-sum error of frequency response correction data.
702 ELAP TIM	Check-sum error of elapsed time data.
703 AMPL CAL	Check-sum error of frequency response correction data. Default values being used.
704 PRESELECT	Check-sum error of customer preselector peak data. External preselector data recalled in internal mode, or internal preselector data recalled in external mode. To clear the error, press <b>RECALL</b> , MORE 1 OF 2, FACTORY PRSEL PK, <b>SAVE</b> , and SAVE PRSEL PK.

### Program ROM Check-sum Errors (705 to 710)

The instrument power-on diagnostics perform a check-sum on each programmed ROM (A2 Controller assembly). If an invalid check-sum is found for a particular ROM, an error code is generated. If a defective programmed ROM is found, replace it with another ROM with the same HP part number. Refer to Chapter 4, "Replaceable Parts."

Although some of these errors might result in a blanked display, it is possible to read these errors over HP-IB. Refer to "Troubleshooting to a Functional Section" in this chapter.

705 ROM U306	Check-sum error of program ROM A2U306.
706 ROM U307	Check-sum error of program ROM A2U307.
707 ROM U308	Check-sum error of program ROM A2U308.

- 708 ROM U309            Check-sum error of program ROM A2U309.  
709 ROM U310            Check-sum error of program ROM A2U310.  
710 ROM U311            Check-sum error of program ROM A2U311.

#### **RAM Check Errors (711 to 719)**

The instrument power-on diagnostics check the program RAM. This includes the two RAMs used for STATE storage. If any STATE information is found to be invalid, all data in that RAM is destroyed. A separate error code is generated for each defective program RAM. All RAM is battery-backed. See State and Trace storage in Chapter 9.

- 711 RAM U303            Check-sum error of system RAM A2U303.  
712 RAM U302            Check-sum error of system RAM A2U302.  
713 RAM U301            Check-sum error of system RAM A2U301.  
714 RAM U300            Check-sum error of system RAM A2U300.

#### **Microprocessor Error (717)**

- 717 BAD uP!!            Microprocessor not fully operational. Refer to Chapter 9, “Controller Section.”

#### **Battery Problem (718)**

If STATE or TRACE data is found to be corrupt, the processor tests the display RAMs and the program RAMs containing the STATE information. If the RAMs are working properly, this error message is generated. To check the BT1 Battery and the battery backup circuitry, refer to “STATE and TRACE Storage Problems” in Chapter 9.

- 718 BATTERY?            Nonvolatile RAM not working; check battery BT1.

This error can also be generated if the battery has been disconnected then reconnected. If this is the cause, cycling power clears the error.

## Model Number Error (719)

If this error occurs, return the instrument to a service center for repair.

719 MODEL #? Could not read ID string from EEROM A2U501.

## System Errors (750 to 757)

These errors often require troubleshooting the A2 Controller and A3 Interface assemblies.

750 SYSTEM Hardware/firmware interaction; check other errors.  
751 SYSTEM Hardware/firmware interaction; check other errors.  
752 SYSTEM Hardware/firmware interaction; check other errors.  
753 SYSTEM Hardware/firmware interaction; check other errors.  
754 SYSTEM Hardware/firmware interaction; check other errors.  
755 SYSTEM Hardware/firmware interaction; check other errors.  
757 SYSTEM BCD overflow.

## Option Module Errors (800 to 899)

These error codes are reserved for option modules, such as the HP 85629 Test and Adjustment Module and the HP 85620A Mass Memory Module. Refer to the option module manual for a listing of error messages.

## User-Generated Errors (902 to 904)

These error codes indicate user-generated errors.

900 TG UNLVL Tracking generator output is unlevelled.  
901 TGFrqLmt Tracking generator output unlevelled because START FREQ is set below tracking generator frequency limit (300 kHz).  
902 BAD NORM State of stored trace does not match the current state of the analyzer.  
903 A > DLMT Unnormalized trace A is off-screen with trace math or normalization on.  
904 B > DLMT Calibration trace (trace B) is off-screen with trace math or normalization on.  
905 EXT REF Unable to lock Cal Oscillator when set to external frequency reference. Check that the external 10 MHz reference is within tolerance.  
906 OVENCOL The OCXO oven is cold.  
907 DO IF CAL Still performing IF Cals, or in need of IF Cals which were not yet done due to an OVENCOLD condition.

## Block Diagram Description

The spectrum analyzer is comprised of the six main sections listed below. See Figure 6-4. The following descriptions apply to the Simplified Block Diagram and Overall Block Diagram located at the end of this chapter. Assembly level block diagrams are located in Chapters 7 through 12.

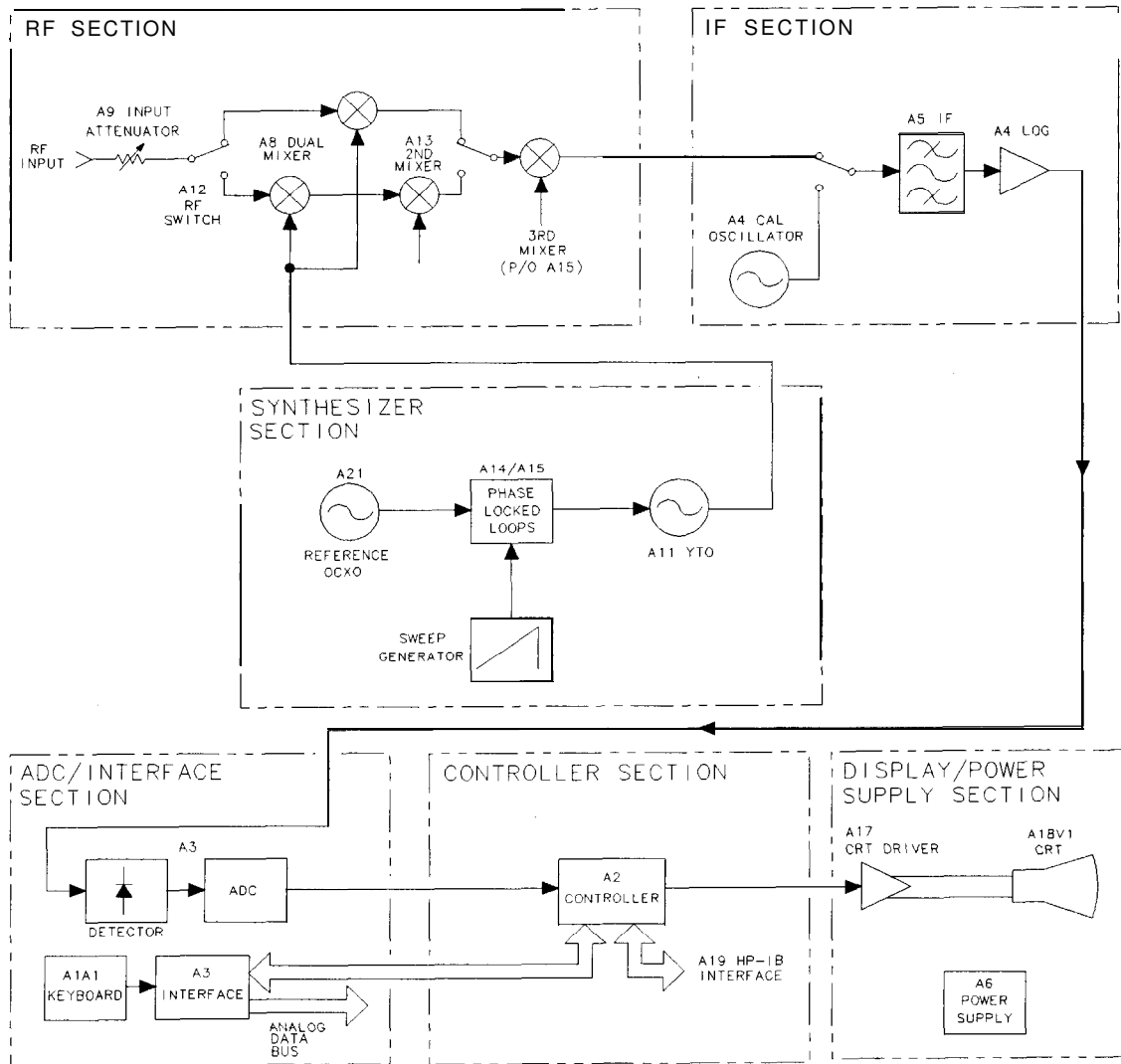


Figure 6-4. Functional Sections



## RF Section

The RF Section includes the following assemblies:

- A7 LODA (LO Distribution Amplifier)
- A8 Low Band Mixer
- A9 Input Attenuator
- A10 Tracking Generator (Option 002)
- All YTO (YIG-Tuned Oscillator)
- A13 Second Converter
- A14 Frequency Control Assembly (also in Synthesizer Section)
- A15 RF Assembly (also in Synthesizer Section)
- FL1, 2 Low-Pass Filters

The RF Section converts all input signals to a fixed IF of 10.7 MHz. The RF Section's microcircuits are controlled by signals from the A14 Frequency Control and A15 RF assemblies.

The HP 8560A Spectrum Analyzer uses triple conversion to produce the 10.7 MHz IF and a fourth conversion used only in 100 Hz, 30 Hz, and 10 Hz resolution bandwidths. A8 Low Band Mixer up-converts the RF input to a first IF of 3.9107 GHz. A13 Second Converter down-converts the 3.9107 GHz IF to an IF of 310.7 MHz. A third conversion on the A15 RF assembly down-converts the second IF to the 10.7 MHz third IF. A fourth conversion on the A4 Log Amplifier assembly down-converts the third IF to the 4.8 kHz fourth IF used only in 100 Hz, 30 Hz, and 10 Hz resolution bandwidths.

### A7 LODA

The A7 LODA (LO Distribution Amplifier) levels the output of the All YTO and distributes the power to the front-panel 1ST LO OUTPUT, A8 Low Band Mixer, Option 002 Tracking Generator, and A15A2 Sampler. The leveling circuitry is on the A14 Frequency Control Assembly.

### A8 Low Band Mixer

A8 Low Band Mixer is dc-coupled and contains a limiter.

### A9 Input Attenuator

The attenuator is a 50 $\Omega$  precision, coaxial step attenuator. Attenuation in 10 dB steps from 0 dB to 70 dB is accomplished by switching the signal path through one or more of the three resistive pads. The attenuator automatically sets to 70 dB and DC block when the analyzer turns off, providing ESD protection. (Note that the input attenuator is not field-repairable.)

### All YTO

All is a YTO (YIG-Tuned Oscillator). YIG (yttrium-iron-garnet) is a ferro-magnetic material which is polished into a small sphere and precisely oriented in a magnetic field. Changes in this magnetic field alter the frequency generated by the YTO. Current control of the magnetic field surrounding the YIG sphere tunes the oscillator to the desired frequency.

### **A13 Second Converter**

The A13 Second Converter down-converts the 3.9107 GHz 1st IF to a 310.7 MHz 2nd IF. The converter generates a 3.6 GHz second LO by multiplying a 600 MHz reference. Bandpass filters remove unwanted harmonics of the 600 MHz driving signal. First IF and 2nd LO signals are filtered by cavity filters.

### **A15A1 Second IF Distribution Amplifier (P/O A15)**

The A15A1 SIFA (Second IF Distribution Amplifier) amplifies and filters the second IF. (Option 001 instruments provide the pre-filtered signal at the rear-panel's 2ND IF OUTPUT.) Factory select attenuator A15U802 ensures that the gain provided by the SIFA is 12 dB  $\pm 2$  dB.

The external mixing input from the front-panel's IF INPUT connector is also directed through the SIFA. A dc bias is placed onto the IF INPUT line for biasing external mixers.

### **Third Converter (P/O A15)**

The third converter down-converts the 310.7 MHz IF to 10.7 MHz. A PIN-diode switch selects the LO signal used. For normal operation, a 300 MHz LO signal is used. The signal is derived from the 600 MHz Reference PLL. During signal identification (SIG ID ON), the 298 MHz SIG ID Oscillator is fed to the double balanced mixer on alternate sweeps.

### **Flatness Compensation Amplifiers (P/O A15)**

The flatness compensation amplifiers amplify the output of the double-balanced mixer. The amplifier's variable gain (8 to 32 dB) compensates for flatness variations within a band. Band conversion loss is compensated by step gain amplifiers in the IF Section.

Control for the amplifiers originates from two DACs on the A3 Interface assembly. (DAC values are interpolated approximately every 17 MHz based on data obtained during the Frequency Response Adjustment.) A15's flatness-compensation control circuitry converts the RF GAIN voltage, from A3, into two currents: RF GAIN1 and RF GAIN2. These currents drive PIN diodes in the flatness compensation amplifiers.

## **Synthesizer Section**

The first LO is phase-locked to the instrument's internal 10 MHz standard by four PLLs. See Figure 6-5.

The Reference PLL supplies reference frequencies for the instrument. The three remaining PLLs tune and phase-lock the LO through its frequency range. To tune the LO to a particular frequency, the instrument's microprocessor must set the programmable feedback dividers (N) and reference dividers (R) contained in each PLL.

### **Sweeping the First LO**

The analyzer uses a method called Lock and Roll to sweep the first LO (All YTO). This applies to all frequency spans and involves phase-locking the analyzer at the start frequency during the retrace of the sweep. The sweep ramp, generated on the A14 Frequency Control assembly, is applied to either All YTO's main coil, All YTO's FM coil, Roller Oscillator PLL's Main Oscillator, or Roller Oscillator PLL's Offset Oscillator. The frequency/span relationships are as follows:

<b>All YTO Spanwidth</b>	<b>Sweep Applied To</b>
20.1 MHz to 3.8107 GHz	All YTO's main coil
1.01 MHz to 20.0 MHz	All YTO's FM coil
100 kHz to 1 MHz	Roller Oscillator PLL's Main Oscillator
100 Hz to 100 kHz	Roller Oscillator PLL's Offset Oscillator

When the sweep ramp is applied to one of the PLLs, the analyzer must prevent this loop from trying to compensate for changes in the output frequency. To accomplish this, the analyzer breaks the PLL by switching the output of the PLL's phase detector to ground.

### **Reference PLL (P/O A15)**

The 600 MHz Reference PLL provides 600 MHz for the second LO, 300 MHz for the third LO, and the Sampling Oscillator reference. The PLL is locked to a 10 MHz TCXO (temperature-compensated crystal oscillator) or the optional OCXO (A21 Option 003). (The PLL can also be locked to an external frequency reference.) The 10 MHz reference also supplies the reference for the Roller Oscillators, the frequency counter on the A2 Controller assembly, and the Cal Oscillator on the A4 Log Amplifier/Cal Oscillator assembly.

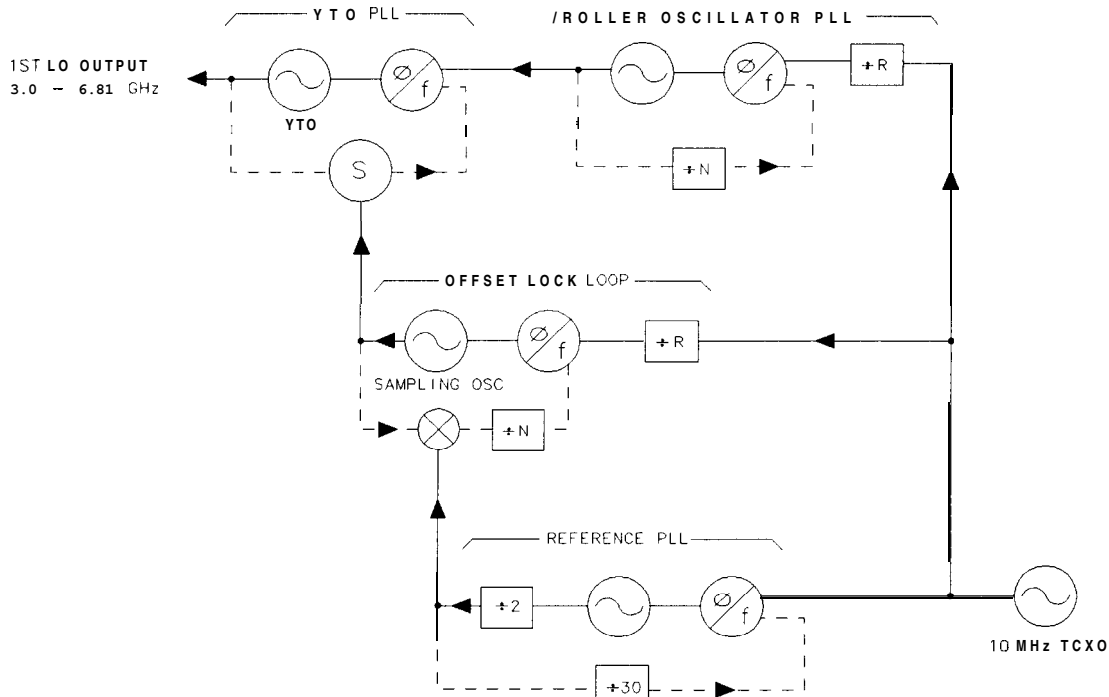
### **YTO PLL (A7, All, P/O A14, P/O A15)**

The YTO PLL produces the instrument's first LO (3.0 to 6.81 GHz). The oscillator's output is sampled by the Sampling Oscillator, and the resulting frequency is phase-locked to the output of the Roller Oscillator PLL.

The A15A2 Sampler mixes the LO signal from the A7 LODA with a harmonic of the Sampling Oscillator. The mixing product, the Sampler IF, is between 63 and 105.5 MHz (same frequency range as the Roller Oscillator PLL).

### **Offset Lock Loop (P/O A15)**

The 280 MHz to 298 MHz Sampling Oscillator is used to sample the YTO. By changing the Offset Lock Loop's programmable dividers, the YTO frequency can be changed.



SK168

Figure 6-5. Phase Lock Loops

### Roller Oscillator PLL (P/O A14)

This PLL's output serves as the reference frequency for the YTO PLL. A one-to-one relationship in frequency tracking exists between the Roller Oscillator PLL and the YTO. (A change of 1 MHz in the Roller Oscillator PLL will produce a 1 MHz change in the YTO frequency.)

The Roller Oscillator PLL actually contains three PLLs that collectively produce an output of 63 MHz to 105.5 MHz. The three PLLs are the Main Roller PLL, Offset Roller PLL, and Transfer Roller PLL.

The Offset Roller PLL tunes from 189 MHz to 204 MHz. Because the output of the PLL is divided by 100, a one-hundred-to-one relationship exists between frequency changes in the Offset Roller PLL and the YTO. The Offset Roller PLL can be synthesized in 2.5 kHz steps, yielding an effective frequency resolution on the YTO of 25 Hz.

The Transfer Roller PLL tunes from 61 MHz to 103.5 MHz in 50 kHz steps.

### IF Section

The IF Section processes the 10.7 MHz output of the RF Section and sends the detected video to the ADC/Interface Section. The following major assemblies are included in this section:

- A3 Interface assembly
- A4 Log Amplifier/Cal Oscillator assembly
- A5 IF assembly

The HP 8560A uses trace-data manipulation to generate the 5 dB/DIV scale from the 10 dB/DIV scale. The A3 Interface Assembly amplifies and offsets the 10 dB/DIV video to generate the 2 dB/DIV scale. The 1 dB/DIV scale is generated from the 2 dB/DIV scale through trace data manipulation.

The first 50 dB of IF gain (log and linear mode) is achieved using the A5 assembly's linear step-gain amplifiers. The A4 assembly's video-offset circuit provides the remaining 60 dB of log mode IF gain. The A4 assembly's linear amplifiers provide 40 dB of linear mode gain. IF gain steps of less than 10 dB (regardless of the reference level) are accomplished on the A5 assembly.

#### **A4 LOG Amplifier/Cal Oscillator assembly**

The A4 Log Amplifier has separate log and linear amplifier paths. After amplification, the signal path consists of a Linear Detector, Video Log Amp, Buffer Amplifier, Video Offset, and Video Buffer Amplifier. Other auxiliary functions include the Frequency Counter Prescaler/Conditioner, the AM/FM Demodulator, and down-conversion to 4.8 kHz for digital resolution bandwidths of 10, 30, and 100 Hz. The A4 Cal Oscillator supplies the stimulus signal for Automatic IF adjustments. Normally, the oscillator operates only during retrace (for a few milliseconds) to adjust part of the IF. (All IF parameters will be re-adjusted approximately every five minutes.) With continuous IF adjust ON, a group of IF parameters are adjusted during each retrace period (non-disruptive). If continuous IF adjust is OFF, the most recent IF calibration data will be used.

The IF parameters adjusted include step gains, log amplifier gain and offset, bandwidth centering, 3 dB bandwidth, bandwidth amplitude, crystal-filter symmetry, and oscillator frequency used in 10 Hz, 30 Hz, and 100 Hz resolution bandwidths.

The Cal Oscillator's output has three forms (all -35 dBm):

- 10.7 MHz
- 9.9 to 11.5 MHz in 100 kHz steps
- Frequency sweeps from 20 kHz to 2 kHz centered at 10.7 MHz (lasting 5 to 60 ms respectively)

The purpose of these signals is:

- Adjust gains, log amps, and video slopes and offsets
- Adjust 3 dB bandwidth and center frequencies of LC resolution BW filters (30 kHz through 1 MHz).
- Adjust 3 dB bandwidth, symmetry, and gain of the crystal resolution BW filters (300 Hz through 10 kHz).
- Adjust gain and gain-vs-frequency for digital resolution bandwidths (10 Hz through 100 Hz).

The Low-Pass Filter is illustrated in Function Block AB. The Low-Pass Filter filters the square wave output of the variable gain amplifier so that harmonics do not subtly degrade the performance of the IF ADJUST process.

#### **A5 IF Assembly**

The A5 IF Assembly has four crystal filter poles, four LC filter poles, and step gain amplifiers. The crystal filters provide resolution bandwidths of 300 Hz to 10 kHz. The LC filters provide resolution bandwidths of 30 kHz to 2 MHz. All filter stages are in series. PIN diode switches bypass unwanted stages.

### **6-40 General Troubleshooting**

An Automatic IF Adjustment, in analyzer firmware, sets center frequency and 3 dB bandwidth of all filter poles through varactor and PIN diodes. The firmware also controls crystal-pole symmetry and the step gain amplification.

### **ADC/Interface Section**

The ADC/Interface Section is the link between the Controller Section and the rest of the spectrum analyzer. It controls the RF, Synthesizer, and IF sections through address and data lines on the W2 Control Cable (Analog Bus). Analog signals from these sections are monitored by the ADC/Interface Section's ADC (Analog to Digital Converter) circuit.

The ADC/Interface section includes the A3 Interface Assembly, A1A1 Keyboard, and A1A2 RPG (front-panel knob). The A3 assembly includes log expand, video filter, peak detector, track-and-hold, real-time DACs, RF gain DACs, +10 V reference, and ADC circuitry. The assembly's digital section includes ADC ASM, sweep trigger, keyboard interface, RPG interface, and analog bus interface circuitry.

## ADC

The HP 8560A uses a successive-approximation type of ADC. The ADC Algorithmic State Machine (ADC ASM) controls the interface between the Start/Stop Control and the ADC itself, switching between positive and negative peak detectors when the NORMAL detector mode is selected, and switching the Ramp Counter into the ADC for comparison to the analog sweep ramp.

## Log Expand/Video Functions (P/O A3)

The A3 Interface assembly performs log expand and offset functions. The Log Expand/Log Offset Amplifier provides a 2 dB/Div log scale. The 5 dB/Div scale is derived by multiplying the digitized 10 dB/Div trace data by two in the CPU. The 1 dB/Div scale is similarly derived by multiplying the 2 dB/Div trace data by two.

The analyzer uses two types of video filters. An RC low-pass circuit provides 300 Hz to 3 MHz video bandwidths. Video bandwidths of 1 Hz to 100 Hz are filtered digitally by the CPU. When a digital filter is selected, a D appears along the left edge of the CRT, indicating that something other than the normal detector mode is being used. Digitally filtered bandwidths use a sample detector.

After filtering, the video is sent to the Positive and Negative Peak Detectors. These detectors are designed for optimum pulse response. The Positive Peak Detector resets at the end of each horizontal “bucket” (there are 601 such buckets across the screen). The Negative Peak Detector resets at the end of every other bucket. When reset, the output of the peak detector equals its input.

## Triggering

The HP 8560A has five trigger modes: free run, single, external, video, and line. The Free Run and Single trigger signal comes from the 1 MHz ADC clock. The line trigger signal comes from the A6 Power Supply. Video triggering originates from A3's video filter buffer circuit. External triggering requires a TTL logic high level received from a rear-panel BNC connector. A DAC in the trigger circuit sets the video trigger level. The trigger circuit is responsible for setting HSCAN high.

## Controller Section

The Controller Section includes the A2 Controller Assembly and A19 HP-IB Assembly. The A2 assembly controls the A4 Cal Oscillator and A17 CRT driver through W7. The battery on the rear panel provides battery-backup for STATE and TRACE storage.

The A2 contains the CPU, RAM, ROM, the Display ASM and Line Generators, CRT blanking, focus, intensity control, HP-IB Interface, Frequency Counter, Display RAM, Option Module interface, and EEROM. The A19 HP-IB is a mechanical interface between the standard HP-IB connector and the ribbon cable connector on the A2 Controller Assembly.

All four RAM IC's are battery-backed. The battery-backed RAM stores trace information (two Display Memory RAMs) and analyzer state information (two program RAMs). A total of eight traces and ten states may be stored. Typical battery life is five years with the lithium battery. Trace and state information may be retained for up to 30 minutes with a dead battery and power turned off. This is due to the RAM's very low data retention current.

## **EEROM**

The EEROM stores important amplitude-related correction data. This includes data for mixer-bias DACs, and RF Gain DACs (flatness correction). The analyzer serial number, model number, and installed options are also stored in EEROM.

## **Firmware**

The analyzer firmware reads the model number and installed options from the EEROM to determine how to respond to certain keystrokes.

## **Display ASM**

Much of the miscellaneous digital control is performed by A2U100. U100 functions as the display ASM (Algorithmic State Machine) and character ROM. It also converts the 16-bit CPU data bus to an 8-bit data bus for the rest of the analyzer.

## **Display/Power Supply Section**

### **A6 Power Supply**

The A6 Power Supply is a switching supply operating at 40 kHz for the low voltages and 30 kHz for the CRT supplies (cathode, filament, +110 Vdc, and post accelerator). A6A1 High Voltage Module contains the high-voltage transformer and post-accelerator multiplier. Power is distributed through W8 to A17 and through W1 to the rest of the assemblies. A6A1W2 supplies CRT cathode and filament voltages to the A17 assembly.

The speed of the analyzer's fan is variable. A thermistor on A6 senses the temperature and adjusts the fan speed accordingly. This allows the analyzer to run quietly in most room-temperature environments and faster (louder) only when necessary.

### **A17 CRT Display Driver**

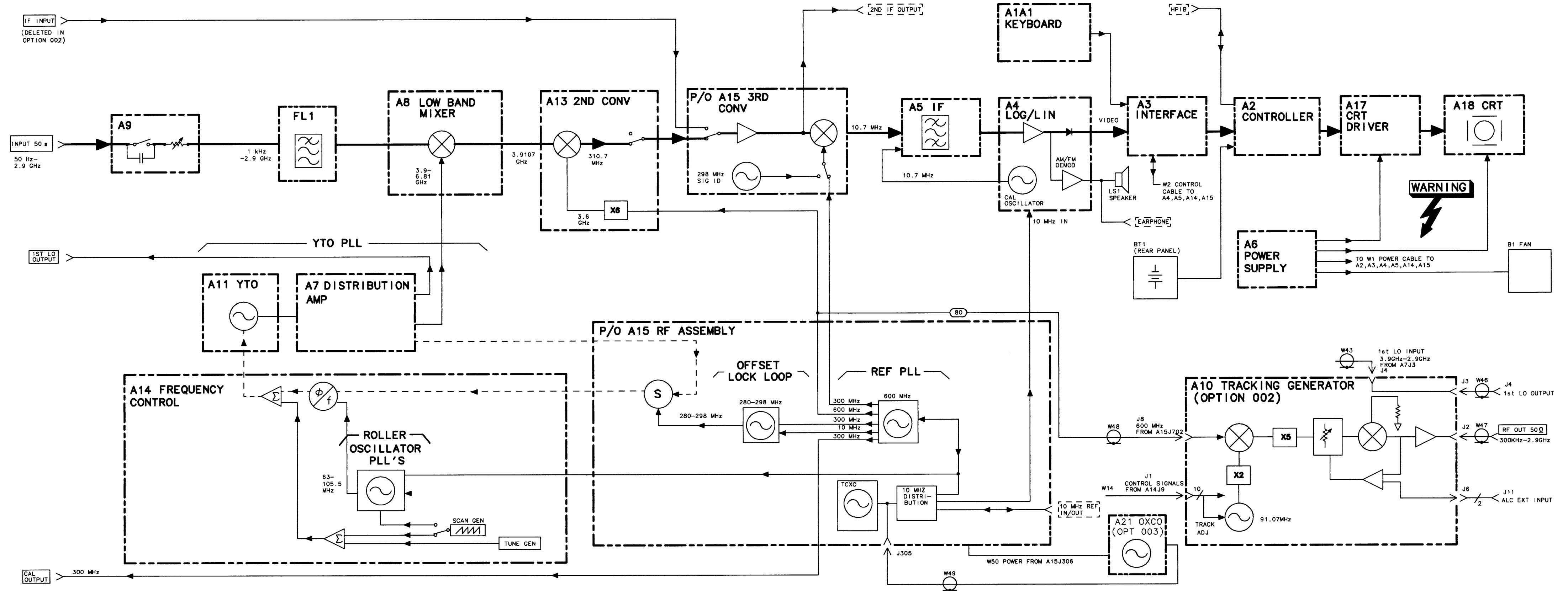
The Line Generators on the A2 assembly drive the A17 CRT Driver. The A17 assembly contains X and Y Deflection Amplifiers, focus and intensity grid amplifiers, and miscellaneous CRT bias circuitry. The high voltage is supplied by A6A1 High Voltage Module.

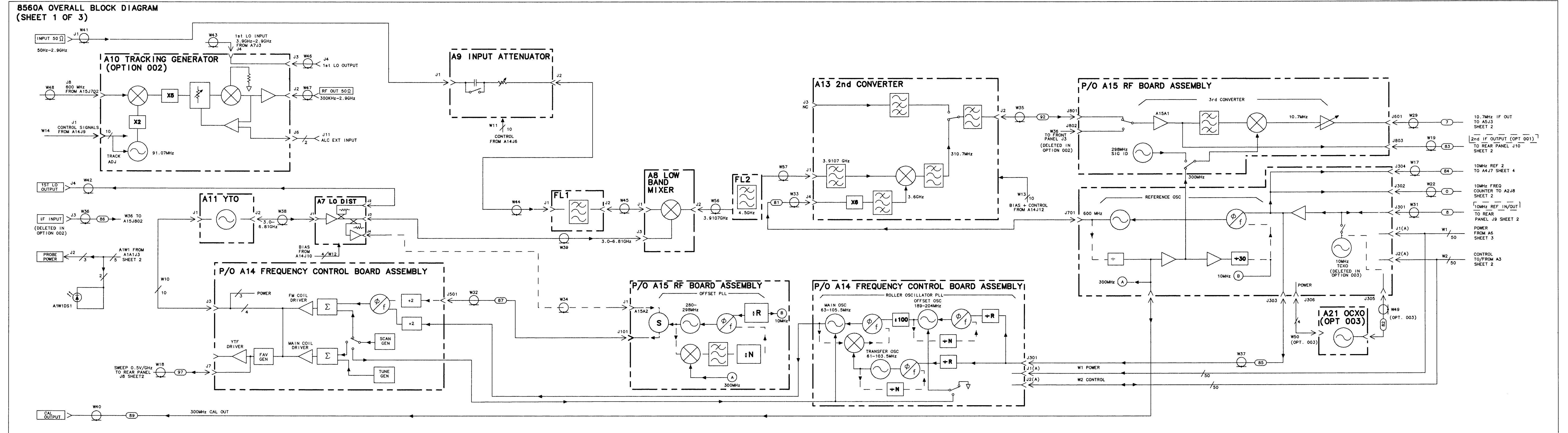
In fast-analog zero-span mode (sweep times  $\leq 30$  ms), the O-SPAN VIDEO signal from A3 and the sweep ramp from A14 goes to the A17 CRT Driver. The graticule and annotation is still digitally drawn.



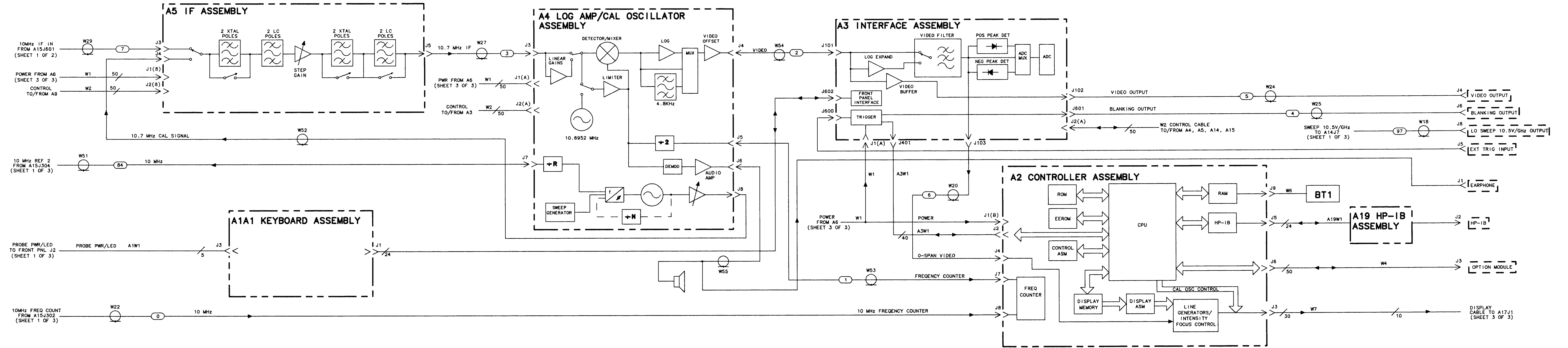


8560A SIMPLIFIED BLOCK DIAGRAM

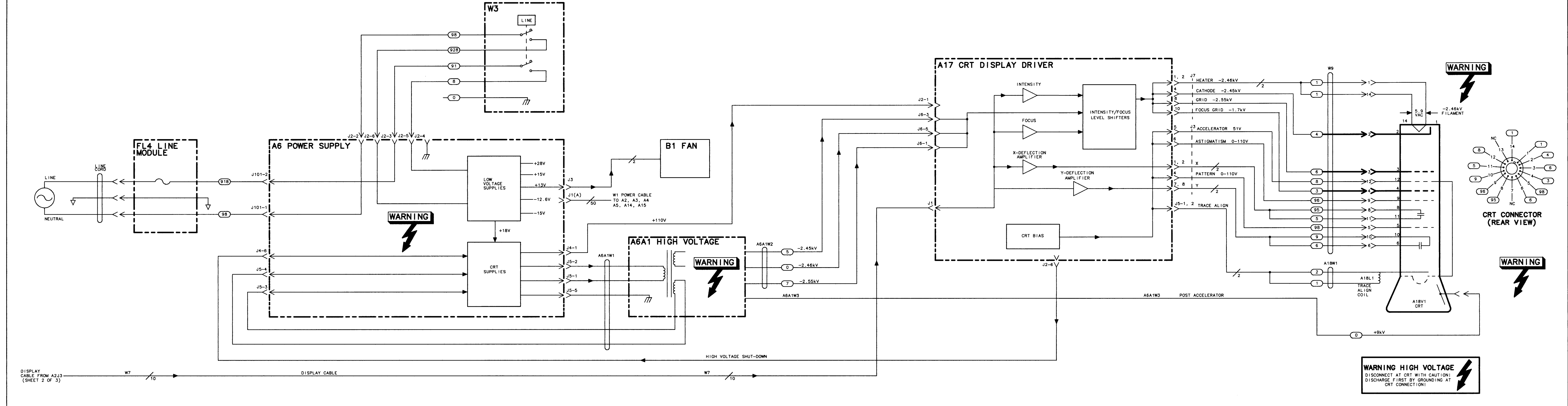




OVERALL BLOCK DIAGRAM  
(SHEET 2 OF 3)



OVERALL BLOCK DIAGRAM  
(SHEET 3 OF 3)



## ADC/Interface Section

---

The ADC/Interface Section includes the A1A1 Keyboard, A1A2 RPG (rotary pulse generator), and A3 Interface assemblies. Table 7-1 lists signal versus pin numbers for control cable W2.

Troubleshooting Using the TAM .....	.7-4
Automatic Fault Isolation .....	..7- 4
Keyboard/RPG Problems .....	..7- 7
Keyboard Interface .....	..7- 7
RPG Interface .....	..7- 8
Triggering Problems .....	..7- 9
Flatness Control (RF Gain DACs) .....	.7-11
A3 Assembly's Video Circuits .....	..7-12
Log Offset/Log Expand .....	7-14
Video MUX .....	..7-15
Video Filter .....	..7-15
Video Filter Buffer Amplifier .....	..7-16
Positive/Negative Peak Detectors .....	7-17
Peak Detector Reset .....	..7-18
Rosenfell Detector .....	7-18
ADC MUX .....	7-19
Variable Gain Amplifier (VGA) .....	7-21
Track and Hold .....	7-21
A3 Assembly's ADC Circuits .....	..7-22
ADC Control Signals .....	..7-22
ADC Start/Stop Control .....	..7-23
ADC ASM .....	..7-24
ADC .....	..7-24
Ramp Counter .....	..7-25
A3 Assembly's Control Circuits .....	..7-26
Analog Bus Drivers .....	..7-26
Analog Bus Timing .....	..7-27
Interface Strobe Select .....	..7-28



Table 7-1. W2 Control Cable Connections (1 of 2)

Signal	A3J2 (pins)	A4J2 (pins)	A5J2 (pins)	A14J2 (pins)	A15J2 (pins)
D0	1*	1	50	1	1
D GND	2*	2	49	2	2
D1	3*	3	48	3	3
D2	4*	4	47	4	4
D3	5*	5	46	5	5
D4	6*	6	45	6	6
D GND	7*	7	44	7	7
D5	8*	8	43	8	8
D6	9*	9	42	9	9
D7	10*	10	41	10	10
A0	11*	11	40	11	11
D GND	12*	12	39	12	12
A1	13*		38	13	13
A2	14*		37	14	14
A3	15*	15	36	15	15
A4	16*		35	16	16
D GND	17*	17	34	17	17
A5	18*		33	18	
A6	19*		32		
A7	20*		31	20	
D D GND	21*	21	30	21	21
LRFC-STB	22*				22
LFC-STB	23*			23	
LIF-STB	24*		27	—	
CAL OSC TUNE	25	25*			
LLOG-STB	26*	26			
VCMON				27	
D GND	28*	28	23	28	28
RT PULSE	29*				
HSCAN	30*			30	
D GND	31*	31	20	31	31
RESERVED					
OFL ERR	33				33*
R/T DAC3	34*				
A GND	35*	35	16	35	35
RF GAIN	36*				36
LO3 ERR				37	37*
4 GND	38*	38	13	38	38
LVFC-ENABLE	39*	—		39	
FC ERR	40			40*	
A GND	41*	41	10	41	41
Y/TO ERR	42			42*	
+10V REF	43*	43			43

\* Indicates signal source connectors.

**Table 7-1. W2 Control Cable Connections (2 of 2)**

<b>Signal</b>	<b>A3J2 (pins)</b>	<b>A4J2 (pins)</b>	<b>A5J2 (pins)</b>	<b>A14J2 (pins)</b>	<b>A15J2 (pins)</b>
A GND	44*	44	7	44	44
SCAN RAMP	45			45*	—
VIDEO TRIGGER	46*				—
A GND	47*	47	4	47	47
NC				—	—
R/T DAC2	49*				—
R/T DAC1	50*			50	—
* Indicates signal source connectors					

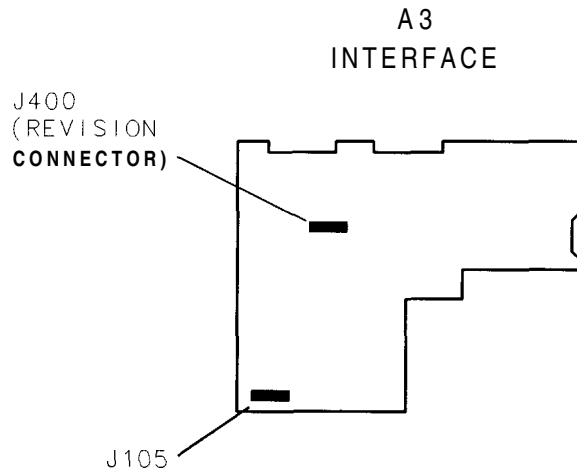


---

## Troubleshooting Using the TAM

When using Automatic Fault Isolation, the TAM indicates suspected circuits that need to be manually checked. Use Table 7-2 to locate the manual procedure.

Table 7-3 lists assembly test connectors associated with each Manual Probe Troubleshooting test. Figure 7-1 illustrates the location of A3's test connectors.



SK169

**Figure 7-1. A3 Test Connectors**

### Automatic Fault Isolation

Analog data bus errors that occur during Automatic Fault Isolation result from either a shorted W2 control cable or faulty A3 assembly. Perform the following steps to determine the cause of the error.

1. Disconnect W2 from A3J2 and repeat the Automatic Fault Isolation procedure.
2. If the analog data bus error is still present, troubleshoot the A3 Interface assembly. If the error disappears, look for a short on W2 or another assembly connecting to it.
3. To isolate a short on W2, reconnect W2 to A3J2 and disconnect W2 from all other assemblies.
4. Repeat the Automatic Fault Isolation routine.
5. If the analog data bus error is still present, W2 is shorted. If the error disappears, reconnect the other assemblies one at a time and repeat the procedure. Once the faulty assembly is reconnected to W2, the error should reappear.

**Table 7-2. Automatic Fault Isolation References**

Suspected Circuit Indicated by Automatic Fault Isolation	Manual Procedure to Perform
Check ADC ASM	ADC ASM
Check ADC MUX	ADC MUX
Check ADC Start/Stop Control	ADC Start/Stop Control
Check Analog Bus Drivers	Automatic Fault Isolation ( <i>in this chapter</i> ) Analog Bus Drivers
Check Analog Bus Timing	Automatic Fault Isolation ( <i>in this chapter</i> ) Analog Bus Timing
Check Interface Strobe Select	Interface Strobe Select
Check Keyboard Interface	Keyboard/RPG Problems
Check Negative Peak Detector	Positive/Negative Peak Detectors ( <i>steps 3 through 10</i> )
Check Peak Detector Reset	Peak Detector Reset
Check Positive Peak Detector	Positive/Negative Peak Detectors ( <i>steps 3 through 10</i> )
Check Ramp Counter	Ramp Counter
Check RF Gain DACs	Band Flatness Control (RF Gain DACs)
Check Rosenfell Detector	Rosenfell Detector
Check RPG Interface	Keyboard/RPG Problems
Check Track and Hold	Track and Hold
Check Trigger	Triggering Problems
Check Variable Gain Amplifier (VGA)	Variable Gain Amplifier (VGA)
Check Video Filter	Video Filter
Check Video Filter Buffer Amplifier	Video Filter Buffer Amplifier
Check Video MUX	Video MUX

**Table 7-3. TAM Tests Versus A3 Test Connectors**

Connector	Manual Probe Troubleshooting Test	Measured Signal Lines
A3J105	Video Input to Interface Video to Rear Panel Video MUX LOG Offset/LOG Expand Video Filter Buffer Amp. Video Peak Detectors ADC MUX Variable Gain Amplifier Track and Hold	MS1 MS2 MS3 MS1, MS3 MS3, MS5, OS1 MS5, MS6 MS6 MS6, MS7 MS7, MS8
A3J400	Revision Trigger ADC Start/Stop Control Video Trigger DAC Real Time DAC #1 RF Gain DACs	MS2 MS8 MS7 MS1 MS3 MS6

## Keyboard/RPG Problems

### Keyboard Interface

See function block G of A3 Interface Assembly Schematic Diagram (sheet 3 of 6).

A pressed key results in a low on a keyboard sense line (LKSNS0 through LKSNS7). This sets the output of NAND gate U607 high, generating KBD/RPG-IRQ. The CPU determines the key pressed by setting only one keyboard scan line (LKSCNO through LKSCN5) low through U602 and reading the keyboard sense lines.

1. If none of the keys or RPG responds, check ribbon cable, A1AIW1. (This cable connects the A1A1 Keyboard to the A3 Interface assembly.) The keys are arranged in a row/column matrix, as shown in Table 7-4.
2. If an entire row or column of keys does not respond, and the RPG does respond, there might be an open or shorted wire in A1AIW1.

**Table 7-4. Keyboard Matrix**

	LKSNS0	LKSNS1	LKSNS2	LKSNS3	LKSNS4	LKSNS5	LKSNS6	LKSNS7
LKSCNO	CONFIG	SAVE	RECALL	GHz	MHz	kHz Hz		PRESET
LKSCN1	MODULE	TRIG	DISP	9	6	3 BK SP		↑
LKSCN2	PEAK SEARCH	BW	TRACE	8	5	2	• 1	I
LKSCN3	FREQ COUNT	AUTO COUPLE	MKR →	7	4	1	0	HOLD
LKSCN4	SWEEP	SK1	SK2	SK3	SK4	SK5	SK6	MKR
LKSCN5	AUX CTRL	MEAS/USER	CAL	SGL SWP	COPY	FRE-QUENCY	SPAN	AMPLITUDE

3. Check that all inputs to NAND gate A3U607 (LKSNS lines) are high when no key is pressed. If any input is low, continue with the following:
  - a. Disconnect A1AIW1 from A3J602 and again check all inputs to U607.
  - b. If any input is low with A1AIW1 disconnected, suspect A3U604, A3U607, or A3U602.
  - c. Reconnect A1AIW1 to A3J602.
4. Monitor A3U607 pin 8 with a logic probe. A TTL high should be present when any key is held down. Monitor this point while pressing each key in succession.
5. Check that the LKSCN lines (outputs of A3J602 pins 1 through 6) read a TTL low with no key pressed. (Any TTL high indicates a faulty A3 Interface assembly.)
6. Check that a pulse is present at each LKSCN output of U602 when a key is pressed.
7. Check that only one input to U607 (LKSNS lines) goes low when a key is pressed.
8. Check that U602 pin 9 (LKBD-RESET) pulses low when a key is pressed.
9. If LKBD-RESET is incorrect and a pulse is not present at each of the LKSCN outputs of U602 when a key is pressed, check for LWRCLK and LSCAN-KBD.

## RPG Interface

See function block J of A3 Interface Assembly Schematic Diagram (sheet 3 of 6).

U608B latches the RPG direction from the two RPG outputs, RPG\_01 and RPG\_02. Counterclockwise RPG rotation produces low-going pulses which result in a high output on U608B. Clockwise RPG rotation results in a low output from U608B. U612A provides the edge to trigger one-shot U423B, which generates a 90 ms pulse. This pulse gates U610A for counting of RPG pulses by U606. Gates U610D and U614D prevent retriggering of U423B until its 90 ms pulse has timed out.

1. Monitor A3U401 pin 2 with a logic probe or oscilloscope. Pulses should be present as the RPG is rotated.
2. Monitor A3U608 pin 12 as the RPG is rotated. Pulses should be present.
3. If pulses are missing at both points, check for power and ground signals to A1A1W1 and A1A2W1. If both power and ground are there, the A1A2 RPG is probably defective.
4. If pulses are missing at only one point, check for an open or short on A1A1W1 and A1A2W1. If these cables are working properly, A1A2 RPG is probably defective.
5. Set the **LINE** switch off and disconnect A1A1W1 from A3J602. Jumper A3U608 pin 12 (RPG\_01) to U608 pin 14 (+5 Vdc). Jumper U401 pin 2 (RPG-02) to U511 pin 11 (HDPKD-CLK). This provides a 7.8 kHz square wave to the RPG-02 input of the RPG Interface.
6. Set the **LINE** switch on.
7. Check A3U608 pin 9 for narrow, low-going pulses approximately every 90 ms.
8. Check A3U608 pin 13 (LRPG-RESET) for narrow, low-going pulses approximately every 90 ms.
9. Check A3U612 pin 5 for narrow, low-going pulses approximately every 90 ms.
10. Check U608 pin 5 (HRPG-IRQ) for narrow, high-going pulses approximately every 90 ms.
11. If HRPG-IRQ is correct but LRPG-RESET is incorrect, check U505 pin 13 (LKBD/RPG-IRQ) for narrow, low-going pulses approximately every 90 ms.
12. If HRPG-IRQ and LKBD/RPG-IRQ are correct but LRPG-RESET is incorrect, suspect a failure on the A2 Controller Assembly.
13. Check U610 pin 3 for a 7.8 kHz square wave. Check U606 pin 2 (HRPG\_RESET) for narrow, high-going pulses approximately every 90 ms. Refer to Table 7-5 and check the frequencies at divide-by-16 counter A3U606.
14. If all the checks above are correct but the analyzer does not respond to the RPG, suspect a problem in either the A1A2 RPG or the A1A1 Keyboard.
15. Set the [LINE] switch off.
16. Reconnect A1A1W1 to A3J602 and remove all jumpers.

**Table 7-5. Counter Frequencies**

<b>A3U606 pin #</b>	<b>Nominal Frequency (Hz)</b>
3	3900
4	1950
5	975
6	488
11	244
10	122

## Triggering Problems

See function block H of A3 Interface Assembly Schematic Diagram (sheet 3 of 6).

The 1 MHz ADC clock provides synchronization in FREE RUN and SINGLE triggering. LINE triggering synchronization originates on the A6 Power Supply. Trigger MUX A3U613A selects between FREE RUN, VIDEO, LINE, and EXTERNAL trigger sources. The trigger signal sets the output of the HSCAN latch high. HBADC-CLKO provides the trigger signal for FREE RUN. The VIDEO TRIG signal must be at least 25 mV (0.25 divisions) peak-to-peak to trigger in video trigger mode.

1. Check that the trigger MUX is receiving the proper trigger source information by selecting each of the following trigger modes and checking the TRIG-SOURCE0 and TRIG-SOURCE1 lines as indicated in Table 7-6 below.
2. If a trigger mode does not work, check that a trigger signal is present at the appropriate MUX input, as indicated in Table 7-6.

**Table 7-6. Trigger MUX Truth Table**

<b>Trigger Mode</b>	<b>TRIG-SOURCE0 U613 pin 14</b>	<b>TRIG-SOURCE1 U613 pin 2</b>	<b>MUX Input Pin Number U613</b>
FREE RUN	L	L	6
VIDEO	H	L	5
LINE	H	H	3
EXTERNAL	L	H	4

3. Check that the appropriate MUX input signal is present at the MUX output (A3U613 pin 7).
4. To check the video trigger level DAC, connect a DVM's positive lead to A3J400 pin 1 and the negative DVM lead to A3TP4.
5. Press **TRIG** and VIDEO.
6. Press the STEP **▼** key several times while noting the DVM reading and position of the video trigger level on the screen.
7. Check that the voltage displayed on the DVM increases by 1 V for each step of the VIDEO TRIG LEVEL.

8. If the voltage changes incorrectly, proceed as follows:
  - a. Check the  $-10$  Vdc reference (A3U409 pin 4).
  - b. While using the front-panel knob to adjust the video trigger level, check for the presence of pulses on A3U409 pin 15 (LDAC2).
  - c. While using the front-panel knob to adjust the video trigger level, check for the presence of pulses on A3U409 pin 16 (LWRCLK).
  - d. Check that pulses are present on U409 pin 6 (IAO).
9. If the LWRCLK and LDAC2 signals are not correct, refer to “Interface Strobe Select” in this chapter.

---

## Flatness Control (RF Gain DACs)

See function block M of A3 Interface Assembly Schematic Diagram (sheet 4 of 6).

RF Gain DACs control the A15 assembly's flatness compensation amplifiers. The RF Gain DACs are arranged so that the output of one DAC is the voltage reference for the other DAC. This results in an RF GAIN voltage which is exponentially proportional to the DAC settings. Each DAC is set to the same value. The A15 RF assembly converts the RF GAIN signal to a current for driving the PIN diode attenuators in the Flatness Compensation Amplifiers. The exponentially-varying voltage compensates for the nonlinear resistance-versus-current characteristic of the PIN diodes.

1. Place the WR PROT/WR ENA jumper on the A2 Controller assembly in the WR ENA position.
2. Press **[CAL]**, MORE 1 OF 2 , SERVICE CAL DATA, FLATNESS, FLATNESS DATA. Press NEXT BAND until "FLATNESS BAND # 0" is displayed.
3. Press the **[▲]** key until "DATA @ 300 MHz" is displayed. Note the number directly below "DATA @ 300 MHz"; this is the RF Gain DAC value.
4. Connect a positive DVM lead to A3J400 pin 13 and the negative DVM lead to A3TP4.
5. Check that the DVM reading increases from near 0 Vdc to between +3.5 and +5.0 Vdc as the RF Gain DAC setting is increased from 0 to 255.
6. If the DVM readings are incorrect, press **[PRESET]**, **[TRIG]**, **[SINGLE]**, **[CAL]**, MORE 1 OF 2, SERVICE CAL DATA, FLATNESS , and FLATNESS DATA. Press NEXT BAND until "FLATNESS BAND # 0" is displayed. Press the **[▲]** key until "DATA @ 300 MHz" is displayed. Proceed as follows:
  - a. Check the +10 V reference.
  - b. Check for pulses at A3U417 pin 16 (LWRCLK).
  - c. While rotating the front-panel knob, check for pulses at A3U417 pin 15 (LDAC1).
  - d. While rotating the front-panel knob, check for pulses at U417 pin 6 (IAO).
7. The LWRCLK and LDAC1 are incorrect, refer to the Interface Strobe Select block in this chapter.
8. Place the WR PROT/ WR ENA jumper on the A2 Controller assembly in the WR PROT position.



---

## A3 Assembly's Video Circuits

Voltages from A3J101 to A3's Variable Gain Amplifier correspond (approximately) to on-screen signal levels. (One volt corresponds to the top of the screen and zero volts corresponds to the bottom of the screen.) This is true for both log and linear settings except when the analyzer is in 1 dB/div or 2 dB/div. In these cases the log expand amplifier is selected, and 1 V corresponds to top-screen and 0.8 or 0.9 V corresponds to bottom-screen. The analyzer can be set to zero span at the peak of a signal to generate a constant dc voltage in the video circuits during sweeps.

1. Disconnect W26 from A3J101 and W20 from A2J4.
2. Connect W26 to A2J4.
3. Set the HP 8560A to the following settings:
  - SPAN ..... 0 Hz
  - SWEEP TIME ..... 20 ms
  - RES BW ..... 1 MHz
  - LOG/div ..... 10dB/div
4. If a trace is displayed, troubleshoot the A3 assembly. If a trace is absent, connect an oscilloscope to the rear-panel BLANKING OUTPUT.
5. The presence of a TTL signal (TTL low during 20 ms sweep) indicates a good A3 Interface Assembly. Troubleshoot the IF Section.
6. If the BLANKING OUTPUT is always at a TTL high or low, troubleshoot the A3's trigger circuits.
7. Reconnect W26 to A3J101 and W20 to A2J4.
8. Remove the A3 assembly's shield.
9. If the video filters appear to be faulty, refer to "Video Filter" in this chapter.
10. If there appears to be a peak detector problem, refer to "Positive/Negative Peak Detectors" in this chapter.
11. Connect the HP 8560A's CAL OUTPUT to the INPUT 50 $\Omega$  and set the controls as follows:
  - CENTERFREQ ..... 300 MHz
  - SPAN ..... 0 Hz
  - REFLVL ..... -10 dBm
12. If the analyzer works correctly in 5 dB/div and 10 dB/div but not in 1 dB/div or 2 dB/div, refer to "Log Offset/Log Expand" in this chapter. Continue with step 13 if the problem involves on-screen amplitude errors which appear to originate in the video chain.
13. Monitor A3TP9 with an oscilloscope. If the voltage is not approximately +1 Vdc, troubleshoot the A4 Log Amplifier. (Refer to the IF troubleshooting procedure.)
14. To confirm proper video input to the video circuit, change the reference level in 10 dB steps from -10 dBm to +30 dBm. At each 10 dB step, the input voltage should change 100 mV. The input level should be +0.6 Vdc for a +30 dBm reference level.

---

**Note**            The on-screen amplitude level will probably not change as expected, since the video circuitry is assumed to be faulty.

---

15. Monitor A3TP14 while stepping the reference level from -10 dBm to +30 dBm. If the voltage does not step approximately 100 mV per 10 dB step, refer to “Video MUX” in this chapter.
16. If the Video MUX is working properly, monitor A3TP15 with the oscilloscope and step the reference level from -10 dBm to +30 dBm. If the voltage does not change 100 mV per 10 dB step, refer to “Video Filter” in this chapter.
17. If the voltage at A3TP15 is correct, move the oscilloscope probe to A3TP17 and step the reference level between -10 dBm and +30 dBm. If the voltage does not change 100 mV per 10 dB step, refer to “Video Filter Buffer Amplifier” in this chapter.
18. If the voltage at A3TP17 is correct, move the oscilloscope probe to A3TP6. Set the following controls to keep the ADC MUX set to the MOD-VIDEO input during the sweep.

SWEEP TIME ..... 50 s  
DETECTORMODE ..... SAMPLE

19. Step the reference level from -10 dBm to +30 dBm while monitoring the voltage change on the oscilloscope. If the voltage does not change 100 mV per 10 dB step, refer to “ADC MUX” in this chapter.
20. If the voltage at A3TP6 is correct, move the oscilloscope probe to A3TP8 and step the reference level between -10 dBm and +30 dBm. If the voltage at A3TP8 is not the same as that at A3TP6, replace A3U110.
21. If the voltage at A3TP8 and A3TP6 are equal, move the oscilloscope probe to A3TP7.

22. Change the reference level from -10 dBm to 0 dBm. The voltage change on A3TP7 should be between 670 mV and 730 mV. If the voltage change is outside of these limits, refer to “Variable Gain Amplifier (VGA)” in this chapter. The gain of the VGA should be  $7 \pm 10\%$ .

### Log Offset/Log Expand

See function block X of A3 Interface Assembly Schematic Diagram (sheet 5 of 6).

The log scales are modified using a combination of amplification and digital trace manipulation. The video input to the A3 assembly is either 10 dB/div or linear. To obtain the 5 dB/div scale, the CPU manipulates the trace data from the 10 dB/div scale. To obtain the 2 dB/div scale, the video signal is amplified and offset so that top-screen in 10 dB/div corresponds to top-screen in 2 dB/div. To obtain the 1 dB/div scale, the CPU manipulates trace data from the 2 dB/div scale.

In 2 dB/div, Log Offset/Log Expand amplifies the top 20 dB of the display. This is done by offsetting the video signal by -0.8 V and providing a gain of 5 to the top 0.2 V of the video signal. The -0.8 V offset is accomplished by sinking 2 mA through R114 by current source U105/Q101.

1. On the HP 8560A press (PRESET), (SPAN), and ZERO SPAN.
2. Disconnect W26 (coax 2) from A3J101 and connect the output of a function generator to A3J101.
3. Set the function generator to the following settings:
 

Output	.....	Sine wave
Amplitude	.....	1 V pk-to-pk
DC Offset	.....	+500 mV
Frequency	.....	50 Hz
4. Set the HP 8560A sweep time to 50 ms.
5. Adjust the function generator amplitude and offset until the sine wave fills the entire graticule area.
6. Measure and note the function generator’s peak-to-peak voltage using an oscilloscope.

$$V_{(10 \text{ dB/div})} = \text{_____} \text{ V}$$

7. Set the HP 8560A’s dB/div to 2 dB.
8. Readjust the function generator amplitude and offset until the sine wave again fills the entire graticule area.
9. Measure the function generator’s peak-to-peak voltage and dc offset.

$$V_{(2 \text{ dB/div})} = \text{_____} \text{ V}$$

10. The ratio of voltage recorded in step 6 to the voltage recorded in step 9 should be  $5 \pm 3\%$ . If the ratio is not 5, troubleshoot the A3 Interface assembly.
11. Reconnect W26 to A3J101.

## Video MUX

See function block U of A3 Interface Assembly Schematic Diagram (sheet 5 of 6).

The AUX VIDEO port and the 0 SPAN CAL function are not used. Both Q220 and Q219 should be off at all times.

1. Press **PRESET** and set the HP 8560A controls as follows.

CENTERFREQ .....300 MHz  
SPAN .....0 Hz

2. Press **SWEEP** and SINGLE.
3. Check for a TTL high on A3U104 pin 2 and a TTL low on U104 pins 7, 10, and 15. Set the analyzer to 2 dB/div and check for a TTL high on A3U104 pin 10 and a TTL low on A3U104 pins 2, 7, and 15.
4. If the logic levels on A3U104 are incorrect, check the LLOG\_STB signal as follows:
  - a. Monitor A3U104 pin 9 with an oscilloscope or logic probe. Check that a pulse is present when switching between 10 dB/div and 2 dB/div.
  - b. Check the inputs to A3U104 (pins 4 and 12) while switching between 10 dB/div and 2 dB/div.
  - c. If the logic signals are incorrect, refer to “Analog Bus Timing” and “Analog Bus Drivers.”
5. Check comparators A3U109A/C/D for proper outputs. The outputs should be high when the noninverting input is greater than the threshold voltage of +2.4 Vdc.
6. If A3U104 and A3U109 are working properly, set the REF LEVEL to 0 dBm.
7. Monitor the voltage at A3TP14 while switching the analyzer between 10 dB/div and 2 dB/div. The voltage should switch between 0.9 and 0.5 Vdc.
8. If the voltage at A3TP14 is incorrect, suspect either A3Q220 or A3Q221.
9. The Video MUX will appear faulty if A3CR109 is shorted or leaky. Diode A3CR109 clamps the voltage at A3TP14 to -0.4 V when in log expand with less than 0.8 V at J101. To confirm this failure, lift diode A3CR109’s cathode and perform steps 1 through 7 again.

## Video Filter

See function block V of A3 Interface Assembly Schematic Diagram (sheet 5 of 6).

The HP 8560A uses digital filtering for 1 Hz to 100 Hz video bandwidths. An RC low-pass filter is used for 300 Hz to 3 MHz video bandwidths. Various series resistances and shunt capacitances switch into the video filter to change its cutoff frequency.

1. Press **PRESET** and set the HP 8560A controls to the following settings:

CENTERFREQ .....225 MHz  
SPAN .....550 MHz  
SWEEP TIME ..... Uncoupled (MAN)

2. Press **SWEEP** and SINGLE.
3. Step the Video BW from 3 MHz to 10 kHz. At each step, the peak-to-peak deviation of the noise should decrease.

4. Step the Video BW down to 1 Hz. At each step, the amplitude of the LO feedthrough should decrease.
5. Refer to Table 7-7 and check for correct latch settings for the selected video bandwidth setting.
6. If latch A3U102's output is not correct, trigger an oscilloscope on LLOG\_STB (U102 pin 9) and monitor U102 pin 1 and other latch inputs while changing the video bandwidth.
7. If the inputs are incorrect, troubleshoot the analog bus. Correct inputs with bad outputs indicate a faulty U102.
8. Check that the outputs of A3U111A, A3U111B, and A3U107A/B/C/D are correct for their inputs. The outputs should be high with noninverting inputs higher than the +1.4 V threshold voltage. If a voltage drop is noticed across these components, suspect A3CR109 or A3Q317B. Since no dc current flows through any of the series resistances or FETS (drain to source), no voltage drops should occur.

**Table 7-7. A3U102 Latch Outputs**

<b>Video BW</b>	<b>Pin2</b>	<b>Pin 5</b>	<b>Pin 7</b>	<b>Pin 10</b>	<b>Pin 12</b>	<b>Pin 15</b>
300 Hz	H	L	L	L	L	L
1 kHz	L	L	L	L	L	H
3 kHz	L	H	L	L	L	L
10 kHz	L	L	L	L	H	L
30kHz	H	L	H	L	L	L
100 kHz	L	L	H	L	L	H
300 kHz	L	H	H	L	L	L
1 MHz	L	L	H	L	H	L
3 MHz	L	L	L	H	L	L

### **Video Filter Buffer Amplifier**

See function block W of A3 Interface Assembly Schematic Diagram (sheet 5 of 6).

The video filter buffer amplifier provides outputs for video trigger, positive and negative peak detectors, and the analog zero-span (sweeps <30 ms). The zero-span video output is terminated in 500 ohms on the A2 Controller assembly. The amplifier is a high-input-impedance buffer amplifier with a gain of one when properly terminated.

Current source U307C provides twice the current of Q316. Resistor R145 and current source U307D shift the dc level. Resistor R260 terminates the peak detector inputs in 500 ohms. The unterminated gain is 1.1. Diode CR114 prevents latchup during positive overdrive conditions while CR113 protects Q318 during overdrive. Diode CR117 is a 12.7 V zener that limits the peak detector's output to +1.5 V. Typically, limiting occurs at +1.1 V.

## Positive/Negative Peak Detectors

See function blocks Y and Z of A3 Interface Assembly Schematic Diagram (sheet 5 of 6).

The following information pertains to the positive peak detector and is applicable to troubleshooting the negative peak detector.

The positive peak detector consists of an input amplifier (A3U204 and A3Q210) followed by detector diodes (A3CR203 and A3CR204) and hold capacitor A3C217. Output amplifier A3Q206, Q211, and Q212 buffers the hold capacitor. Both the input and output amplifiers have a gain of one. Each amplifier has local feedback. On the output amplifier the emitter of Q212 connects to Q206's gate. On the input amplifier the feedback goes through Q209 and Q208 back to the base of U204D. Global feedback occurs from the output amplifier through R223 back to the input amplifier U204D. The peak detector resets through Q207.

1. Press **PRESET** and set the HP 8560A controls as follows:

CENTERFREQ	.....300 MHz
SPAN	.....500 MHz
RES BW	.....Auto
VIDEO BW	.....Auto
LOG dB/DIV	.....10 dB/div

2. If the HP 8560A does not meet the conditions in steps a through e below, the positive and negative peak detectors are probably faulty. Continue with step 3 to check the detectors.
  - a. The peak-to-peak deviation of the noise in NORMAL detector mode should be approximately two divisions. Note the amplitude levels of the top and bottom of the displayed noise.
  - b. Select POS PEAK detector mode.
  - c. Confirm that the noise is about one-third division peak-to-peak. The noise should also be no higher than the top of the noise level in NORMAL detector mode.
  - d. Select NEG PEAK detector mode. The noise should be about one-third of a division peak-to-peak. The noise should also be no lower than the bottom of the noise in NORMAL mode.
  - e. Select SAMPLE detector mode. Check that the noise appears between the top and bottom of the noise in NORMAL mode.
3. On the HP 8560A, connect the front-panel CAL OUTPUT to the INPUT 50 $\Omega$  and set the controls to the following settings:

CENTERFREQ	.....300 MHz
SPAN	.....0 Hz
SWEEP TIME	.....5 s
DETECTORMODE	.....POS PEAK

4. Monitor A3TP17 and A3TP16 simultaneously with an oscilloscope.
5. Change the reference level from -10 dBm to +30 dBm and verify a voltage change at both A3TP17 and A3TP16 of 1 V to 0.6 V in 100 mV steps.
6. Check the entire range of the detector by substituting a dc source at J101 and varying its output from 0 V to 1 V.
7. If the peak detector appears latched up, check LPOS-RST for a negative TTL level reset pulses. The reset pulses should occur every 130  $\mu$ s and should be approximately 250 ns wide.

8. If the reset pulses are absent, troubleshoot the Peak Detector Reset circuitry.
9. If the reset pulses are present, check the gate of Q207. The pulses should be positive-going from -12.7 V to -1.35 V.
10. The peak detector can be made into a unity gain amplifier by shorting the cathode of CR203 to the anode of CR204. If the peak detector functions normally as a unity gain amplifier, suspect Q208 or CR203 or CR204.

### Peak Detector Reset

See function block R of A3 Interface Assembly Schematic Diagram (sheet 4 of 6).

1. Press **PRESET** on the HP 8560A and set the controls as follows:

```

CENTER FREQ .....300 MHz
SPAN ..... 0 Hz
SWEEP TIME ..... 5s
DETECTOR MODE ..... POS PEAK

```

2. Check that HHOLD (A3U526 pin 11) has 18  $\mu$ s wide pulses every 128  $\mu$ s.
3. Check that HODD (U408 pin 5) is a square wave with a period of 16.7 ms (2 x sweep time/600).
4. Check LPOS\_RST (U422 pin 4) for 200 ns low-going pulses every 128  $\mu$ s.
5. Check LNEG\_RST (A3U422 pin 12) for 200 ns low-going pulses every 128  $\mu$ s.
6. Set the detector mode to NORMAL and check that LNEG\_RST (A3U422 pin 12) has two pulses spaced 40  $\mu$ s apart and then a single pulse approximately 88  $\mu$ s from the second pulse.
7. Check HMUX\_SEL0 (A3U408 pin 3) and HMUX\_SEL1 (A3U408 pin 9) according to Table 7-8.

**Table 7-8. HMUX\_SEL0/1 Versus Detector Mode**

Detector Mode	HMUX_SEL0	HMUX_SEL1
NORMAL	40 $\mu$ s pulse every 128 $\mu$ s	40 $\mu$ s pulse every 128 $\mu$ s
SAMPLE	H	H
POS PEAK	H	L
NEG PEAK	L	H

### Rosenfell Detector

See function block S of A3 Interface Assembly Schematic Diagram (sheet 4 of 6).

If both HPOS\_HLDNG and HNEG\_HLDNG are high during the same bucket, HROSENFELL will also be set high. This indicates that the video signal probably consists of noise, since it rose and fell during the same period. The HROSENFELL signal is valid only when the NORMAL (rosenfell) detector mode is selected.

1. Press **PRESET** on the HP 8560A and set the controls as follows:

```

CENTER FREQ .....300 MHz
SPAN .....0 Hz
SWEEP TIME .....5s
DETECTOR MODE . . . . . NORMAL

```

2. Check LPOS-RST and LNEG-RST as described in “Peak Detector Reset.”
3. Check A3U423 pin 4 for two low-going 3.3  $\mu$ s pulses 40  $\mu$ s apart occurring every 130  $\mu$ s.
4. Check that HROSENFELL (A3U610 pin 6) has two pulses spaced approximately 20 ms apart and then a third pulse 60 ms from the second pulse at 50 ms sweep time. Each pulse should be approximately 10 ms wide and low-going.
5. Monitor HROSENFELL with an oscilloscope while reducing the video bandwidth from 1 MHz to 1 kHz.
6. As the video bandwidth is decreased to 1 kHz, the HROSENFELL line should increasingly show a low logic level. With a video bandwidth of 1 kHz, a nearly flat line should be displayed on the CRT.
7. Set the sweep time to 5 ms.
8. Check that HPOS\_HLDNG (A3U416 pin 4) is mostly high with a 1 MHz video bandwidth and mostly low with a 1 kHz video bandwidth.
9. Check that HNEG\_HLDNG (U416 pin 9) is mostly high with a 1 MHz video bandwidth and mostly low with a 1 kHz video bandwidth.

## ADC MUX

See function block AA of A3 Interface Assembly Schematic Diagram (sheet 6 of 6).

The ADC MUX switches various inputs into the video path for conversion by the ADC. The SCAN RAMP input is used during non-zero-span sweeps. The YTO ERR, FCMUX, CAL OSC TUNE, and OFL ERR inputs are used only during diagnostic and auto adjust routines and during retrace.

1. Set the HP 8560A to the following settings:

```

CENTER FREQ .....300 MHz
SPAN .....0 Hz
REF LEVEL .....-10 dBm
SWEEP TIME ..... 50 s
DETECTOR MODE ..... SAMPLE

```

2. Refer to Table 7-9 and check for correct logic levels at A3U108 pins 1, 15, and 16. Check for proper output signals at TP6. If the select lines are not changing, suspect the ADC ASM or the VGA/ADC MUX Control. If the select lines are changing, but the proper video inputs are not being switched to the output, replace U108.
3. Check for the presence of the YTO ERR signal at A3J2 pin 42 with an oscilloscope probe.
4. If ERR 300 YTO UNLK or 301 YTO UNLK occurs and the voltage is zero during a sweep and positive during retrace (YTO is being locked), the fault is on the A3 assembly. If a constant dc voltage is present, refer to the Synthesizer Section troubleshooting procedure.



**Table 7-9. Logic Levels at A3U108**

Detector Mode	U108 pin 1	U108 pin 15	U108 pin 16
SAMPLE	H	L	H
POS PEAK	H	L	L
NEG PEAK	L	H	H

5. Set the HP 8560A to the following settings:

SPAN ..... 1 MHz  
 SWEEP TIME ..... 50ms

6. Check for the presence of the SCAN RAMP signal by connecting an oscilloscope probe to A3J2 pin 45 (component side of A3J2). Connect the negative-probe lead to A3TP4.

7. A 0 to 10 V ramp should be present in both LINE and FREE RUN trigger modes. If the waveform is present only in LINE trigger, ADC control signal HBADC-CLKO may be faulty. Refer to “ADC Control Signals” in this chapter.

8. If the scan ramp is present, but is not being switched to the output of U108, replace U108. If the scan ramp is absent in either mode, do the following:

- a. Connect the oscilloscope probe to A3J400 pin 15 (HSCAN).
- b. A TTL signal (high during 50 ms sweep time and low during retrace) should be present, indicating A3 is working properly. Refer to the Synthesizer Section troubleshooting procedure. A faulty TTL signal indicates a bad A3 Interface assembly.

9. Set the HP 8560A to the following settings:

SWEEP TIME ..... 100 ms  
 SPAN ..... 100 MHz  
 IF Adjust ..... ON

10. Check for the presence of the CAL OSC TUNE signal by monitoring A3J401 pin 25 with an oscilloscope. If ERR 499 CAL UNLK is displayed and a signal greater than 10 V peak-to-peak during part of the retrace period, is present, the fault is on the A3 assembly.

11. If a constant dc voltage is present during the sweep and all of the retrace period, refer to the IF Section troubleshooting procedure.

## Variable Gain Amplifier (VGA)

See function block AB of A3 Interface Assembly Schematic Diagram (sheet 6 of 6).

The VGA provides adjustable gain in the video path. Its nominal gain of 7 can be adjusted  $\pm 10\%$ . U112 removes dc offset to keep U113 in its monotonic range. (Both U112 and U113 are set to the same value.) The DAC settings cannot be changed from the front panel.

## Track and Hold

See function block AC of A3 Interface Assembly Schematic Diagram (sheet 6 of 6).

1. Press **PRESET** on the HP 8560A and set the controls as follows:

CENTER FREQ	.....300 MHz
SPAN	..... 0 Hz
DETECTOR MODE	..... Sample
REF LVL	..... -70 dBm
LOG dB/DIV	..... 2 dB/div
SWEEP TIME	..... 50ms

2. Disconnect any signal from the analyzer input. A full scale display of sampled noise should be present.
3. Trigger an oscilloscope on the positive going edge of HHOLD (A3U506 pin 16).
4. The waveform at A3TP10 should be random noise with an average level of approximately 4 V. The noise should have a flat spot in its response while HHOLD is high, indicating proper operation of U114.

---

## A3 Assembly's ADC Circuits

The ADC consists of a 12-bit DAC, 12-bit successive approximation register (SAR), data multiplexers, and data latches. The ADC ASM (algorithmic state machine) controls the ADC. Eight inputs are controlled by the ADC MUX. These include a positive peak detector, negative peak detector, sampled video, scan ramp, YTO error voltage, FC MUX voltages, Cal Oscillator tune voltage, and offset lock error voltage. A MUX on the A14 Frequency Control Assembly selects which voltage is sent to the ADC MUX on the FC MUX signal line.

During NORMAL detector mode sweeps, when noise is detected by the rosenfell detector, the ADC ASM automatically switches between POS PEAK and NEG PEAK.

### ADC Control Signals

See function blocks B and F of A3 Interface Assembly Schematic Diagram (sheet 2 of 6).

The ADC requires two signals from the A2 Controller Assembly: HBADC-CLKO and HBBKT-PULSE. HBBKT-PULSE is used only in zero span. Use the following steps to verify the signals.

1. Disconnect W22 from A2J8.
2. If a 10 MHz TTL signal is absent on W22, refer to the 10 MHz Reference (on the A15 RF Assembly) troubleshooting procedure in Chapter 11.
3. Set the HP 8560A's **SPAN** to zero.
4. Reconnect W22.
5. With an oscilloscope probe, monitor A3J401 pin 20.
6. If TTL pulses are absent, the A2 Controller Assembly is faulty. Refer to Chapter 9. The presence of TTL pulses indicates a faulty A3 assembly.
7. Monitor A3J401 pin 23 (HBADC-CLKO). If a 1 MHz TTL clock signal is present, HBADC-CLKO is working properly.
8. If HBKT-PULSE or HBADC-CLKO is missing, disconnect A3W1 from A2J2.
9. Monitor A2U5 pin 3 for HBKT-PULSE and A2U5 pin 7 for HBADC-CLKO.
10. If HBADC-CLKO is absent, troubleshoot the A2 Controller assembly.
11. HBKT-PULSE is absent, refer to the information on troubleshooting the frequency counter in Chapter 9.
12. Reconnect A3W1 to A2J2.

## ADC Start/Stop Control

See function block B of A3 Interface Assembly Schematic Diagram (sheet 2 of 6).

The ADC Start/Stop Control determines the start time of all ADC conversions. Multiplexer A3U509 chooses the source of the start signal. Both HSTART-SRC and HBUCKET tell the ASM to start a conversion.

1. Press **PRESET** on the HP 8560A and set the following controls:

SPAN ..... 0 Hz  
SWEEP TIME ..... 60s  
DETECTOR MODE ..... SAMPLE

2. Check for a TTL high at A3U509 pin 2 and a TTL low at A3U509 pin 14.

3. Set the detector mode to NORMAL.

4. Check that A3U509 pins 2 and 14 are both TTL low.

5. Set the HP 8560A to the following settings:

SPAN ..... 1 MHz  
DETECTOR MODE ..... SAMPLE

6. Check that A3U509 pins 2 and 14 are both TTL high.

7. Press [CAL] and REALIGN LO & IF. During the realignment, A3U509 pin 2 should be TTL low and pin 14 should be TTL high. If correct, the Start/Stop Control circuitry is being selected properly by the processor and U508 in the ADC Register block is working properly.

8. Press **PRESET** on the HP 8560A and set the controls as follows:

SPAN ..... 0 Hz  
DETECTOR MODE ..... SAMPLE  
SWEEP TIME ..... 400ms

9. Check that A3U509 pin 7 has positive 15  $\mu$ s pulses with a 667  $\mu$ s period (sweep time/600). Check that A3U509 pin 9 has negative 15  $\mu$ s pulses with a 667  $\mu$ s period (sweep time/600). The pulses should be present during the sweep but absent during retrace.

10. Set the detector mode to NORMAL.

11. Check that A3U509 pin 9 has pulses every 130  $\mu$ s and U509 pin 7 has pulses every 333  $\mu$ s (although pulse widths may be changing).

## ADC ASM

See function block F of A3 Interface Assembly Schematic Diagram (sheet 2 of 6).

1. Press **PRESET** on the HP 8560A and set the controls as follows:

SPAN ..... 0 Hz  
SWEEP TIME ..... 60 s  
DETECTOR MODE ..... SAMPLE

2. Check that HSTART\_SRC (U504 pin 4) goes TTL high, causing HHOLD (U506 pin 16) to go high 15  $\mu$ s later.
3. Check that HSTART\_ADC (U506 pin 15) goes TTL high 19  $\mu$ s after HSTART\_SRC goes high.
4. HHOLD should stay TTL high for approximately 18  $\mu$ s, and HSTART\_ADC should stay high for approximately 31  $\mu$ s.
5. Check that LCMPLT (U504 pin 15) goes TTL low 12  $\mu$ s after HSTART\_ADC goes high (12 bits at 1  $\mu$ s per bit). LCMPLT indicates that the successive approximation register (SAR) has completed the ADC conversion.
6. Check that LDONE (U506 pin 19) goes TTL low approximately 2  $\mu$ s after LCMPLT goes low.

## ADC

See function block A of A3 Interface Assembly Schematic Diagram (sheet 2 of 6).

The successive approximation register (SAR) consists of A3U513. Upon the occurrence of HSTART\_ADC, the SAR successively toggles bits from high to low starting with the most significant bit. The digital result is then converted to an analog current in DAC U518 and compared with the SAMPLED VIDEO. If the DAC current is too high, the output of U512 will be high, telling the SAR that the “guess” was high and that the bit just toggled should be set low. It then moves on to the next most significant bit until all 12 bits have been “guessed” at. Each “guess” takes 1  $\mu$ s (one cycle of HBADC\_CLK0), or 12  $\mu$ s to complete a conversion. When the conversion is completed, the SAR sets LCMPLT low. The bits are written to the data bus by buffers U514 and U516.

1. Set the HP 8560A controls as follows:

CENTER FREQ ..... 300 MHz  
SPAN ..... 0 Hz  
SWEEP TIME ..... 60s  
DETECTOR MODE ..... SAMPLE

2. Trigger an oscilloscope on HSTART\_ADC (U506 pin 15) and monitor the outputs Q1 through Q11 of the SAR. With the exception of Q11, each bit should start high and be switched low. It will either stay low or return to a high state 1  $\mu$ s later, depending on the comparison at U512.
3. If the Q outputs do not exhibit this bit pattern, and the ADC ASM checks are working properly, replace U513. If the output of comparator U512 does not toggle back and forth during a conversion, replace either U512 or CR502.

---

**Note**            Since U512 pin 2 is at a virtual ground (currents are being summed at this node), voltage levels at this point are difficult to interpret.

---

## Ramp Counter

See function block D of A3 Interface Assembly Schematic Diagram (sheet 2 of 6).

The ramp counter is used for non-zero-span sweeps and for zero-span sweep times greater than 30 ms. The analog sweep ramp is compared to the digital ramp counter. When the analog sweep ramp exceeds the DAC output generated for that ramp counter setting, HRAMP\_COMP toggles high, indicating the end of a bucket. The ramp counter counts horizontal buckets. There are 600 buckets per sweep, so the ramp (bucket) counter counts from 0 to 600. The ramp counter is incremented by HRST\_PK\_ENA.

1. Press **PRESET** on the HP 8560A and set the controls as follows:

SPAN ..... 1 MHz  
DETECTOR MODE ..... SAMPLE

2. For sweep times between 100 ms and 60 s, HODD (A3U525 pin 3) is a square wave with a period defined by  $(2 \times \text{sweep time}/600)$ . For example, for a 6 s sweep time, HODD has a period of 20 ms. The ramp (bucket) counter will be odd every other bucket.

---

## A3 Assembly's Control Circuits

A digital control problem will cause the following three steps to fail.

1. On the HP 8560A, press **AMPLITUDE**, **ATTEN MAN**, **7**, **0**, and **dB**.
2. A click should be heard after pressing dB in step 1, unless **ATTEN** was previously set to **70 dB**.
3. Press **1**, **0**, and **dB**. Another click should be heard. If no clicks were heard, but the **ATTEN** value displayed on the CRT changed, the digital control signals are not operating properly.

## Analog Bus Drivers

See function block N of A3 Interface Assembly Schematic Diagram (sheet 4 of 6).

1. Press **PRESET** on the HP 8560A, and set the controls as follows:  
SPAN ..... 0 Hz  
TRIGGER ..... Single
2. Monitor A3U401 pin 3 (LRF\_STB) with an oscilloscope or logic probe. This is the strobe for the A15 RF assembly.
3. Press **AUX CTRL** **INTERNAL MIXER** and check that pulses occur when toggling between **SIG ID ON** and **SIG ID OFF**.
4. Monitor U401 pin 5 (LFC\_STB) with an oscilloscope or logic probe. This is the strobe for the A14 Frequency Control assembly.
5. Press **AMPLITUDE** and check that pulses occur when toggling between **ATTEN** settings of 10 and 20 dB.
6. Monitor U401 pin 7 (LIF\_STB) with an oscilloscope or logic probe. This is the strobe for the A5 IF assembly.
7. Press **AMPLITUDE** and check that pulses occur when toggling between **REF LVL** settings of -10 dBm and -20 dBm.
8. Monitor U401 pin 9 (LLOG\_STB) with an oscilloscope or logic probe. This is the strobe for the A4 Log Amplifier/Cal Oscillator assembly.
9. Press **AMPLITUDE** and check that pulses occur when toggling between **LINEAR** and **LOG dB/DIV**.
10. To check the Address and Data Lines, place a jumper from A3TP1 and A3TP2 to A3U406 pin 20 (+5 V).
11. Check that address lines A0 through A7 and data lines DO through D7 are all TTL high.
12. If any address or data line is low, set the **LINE** switch off and disconnect the W2 control cable from A3J2. Set the **LINE** switch on. Ignore any error messages.
13. Check that address lines A0 through A7 and data lines DO through D7 are all high. If all address and data lines are high, suspect a fault either in W2 or one of the other four assemblies which connect to W2.

14. If any address or data line is low, check the appropriate input of either U405 (data lines) or U406 (address lines).
15. If a data line input is stuck low, check the data bus buffer. If an address line input is stuck low, check A3W1 and the A2 Controller assembly.
16. If the appropriate input is high or toggling between high and low, suspect a failure in either U405 (data lines) or U406 (address lines).
17. Remove jumpers.

## Analog Bus Timing

See function block P of A3 Interface Assembly Schematic Diagram (sheet 4 of 6).

Analog bus timing (ABT) generates the strobes for the A4, A5, A14, and A15 assemblies. The A14 Frequency Control assembly also requires a qualifier for its strobe, LVFC-ENABLE. A3U400 and A3U414 provide a 2  $\mu$ s delay between the time HANA-BUS goes high and the enable line to demultiplexer A3U407 goes low.

1. Press **PRESET** on the HP 8560A and set the controls as follows:

CENTER FREQ .....300 MHz  
SPAN .....100 MHz

2. Check that A3U407 pin 1 goes low approximately 2  $\mu$ s after HANA-BUS (A3U400 pin 3) goes high.
3. If HANA\_BUS is absent, check for pulses on ABT A3U505 pin 2 and IA10 (A3U505 pin 5).
4. If A3U407 pin 1 is not delayed 2  $\mu$ s from HANA\_BUS, check for the presence of the 1 MHz HBADC-CLKO.
5. If A3U407 pin 1 is not delayed 2  $\mu$ s from HANA\_BUS and HBADC\_CLKO is correct, suspect a fault in either A3U414 or A3U400.
6. Press **PRESET** and set the controls as follows:
 

SPAN ..... 0 Hz  
TRIGGER .....SINGLE
7. Monitor A3U401 pin 3 (LR-STB) with an oscilloscope or logic probe. This is the strobe for the A15 RF assembly.
8. Press **AUX CTRL** INTERNAL MIXER and check that pulses occur when toggling between SIG ID ON and SIG ID OFF.
9. Monitor A3U401 pin 5 (LF-STB) with an oscilloscope or logic probe. This is the strobe for the A14 Frequency Control assembly.
10. Press **AMPLITUDE** and check that pulses occur when toggling between **ATTEN** settings of 10 and 20 dB.
11. Monitor A3U401 pin 7 (LI-STB) with an oscilloscope or logic probe. This is the strobe for the A5 IF assembly.
12. Press **AMPLITUDE** and check that pulses occur when toggling between REF LVL settings of -10 dBm and -20 dBm.



13. Monitor A3U401 pin 9 (LV\_STB) with an oscilloscope or logic probe. This is the strobe for the A4 Log Amplifier/Cal Oscillator assembly.
14. Press **AMPLITUDE** and check that pulses occur when toggling between LINEAR and LOG DB/DIV .

## Interface Strobe Select

See function block K of A3 Interface Assembly Schematic Diagram (sheet 3 of 6).

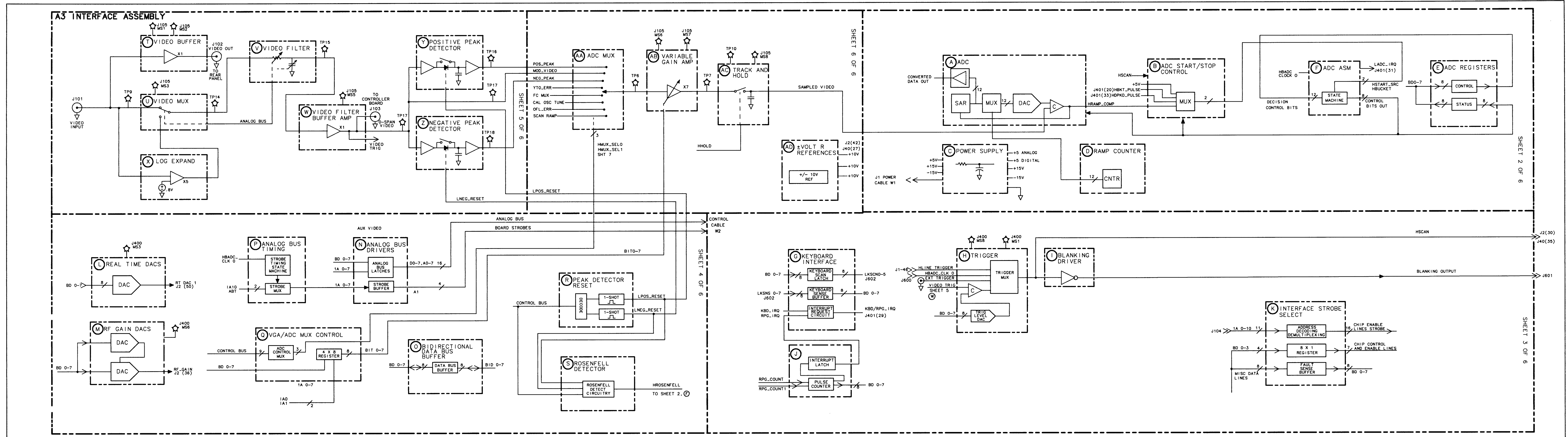
Interface strobe select generates the various strobes used by circuits on the A3 Interface Assembly. Tables 7-10 and 7-11 are the truth tables for demultiplexers A3U410 and A3U500.

**Table 7-10. Demultiplexer A3U410 Truth Table**

Selected Output Line	IA1	IA2	IA3
Pin 15, LSCAN_KBD	L	L	L
Pin 14, not used	H	L	L
Pin 13, LDAC1	L	H	L
Pin 12, LDAC2	H	H	L
Pin 11, LDAC3	L	L	H
Pin 10, not used	H	L	H
Pin 9, not used	L	H	H
Pin 7, LADC_REG1	H	H	H

**Table 7-11. Demultiplexer A3U500 Truth Table**

Selected Output Line	IA0	IA1	IA2
Pin 15, LSENSE_KBD	L	L	L
Pin 14, LINT_PRIOR	H	L	L
Pin 13, LADC_DATA1	L	H	L
Pin 12, LDAC_DATA0	H	H	L
Pin 11, HCNTR_LDO	L	L	H
Pin 10, HCNTR_LD1	H	L	H
Pin 9, LRPD_RD	L	H	H
Pin 7, LADC_REGO	H	H	H



## IF Section

---

The IF Section contains the A4 Log Amplifier/Cal Oscillator and A5 IF assemblies.

Troubleshooting Using the TAM .....	8-3
Troubleshooting A4 Log Amplifier with the TAM .....	8-4
Troubleshooting A5 with the TAM .....	8-4
Troubleshooting A4 Cal Oscillator with the TAM .....	8-8
Automatic IF Adjustment .....	8- 9
Parameters Adjusted .....	8-10
Requirements .....	8-11
Performance Test Failures .....	8-12
IF Gain Uncertainty Performance Test .....	8-12
Scale Fidelity Performance Test .....	8-13
Resolution Bandwidths Performance Tests .....	8-13
A4 Log Amplifier Assembly .....	8-14
Log Amplifier .....	8-14
Linear Amplifiers .....	8-15
Video Offset .....	8-16
Video Output .....	8-16
Frequency Counter Prescaler/Conditioner .....	8-17
AM/FM Demodulator .....	8-17
4.8 kHz IF Filters .....	8-17
4.8 kHz and 10.7 MHz IF Filters .....	8-18
10.6952 MHz VCXO .....	8-19
Input Switch .....	8-19
LO Switch .....	8-19
Synchronous Detector .....	8-20
Limiter .....	8-20
Isolation Amplifier .....	8-20
Detector/Mixer .....	8-20
Log Offset/Gain Compensation .....	8-21
Log Offset Compensation .....	8-21
Log Gain Compensation .....	8-21
Video Mux .....	8-21
A5 IF Section .....	8-22
IF Signature .....	8-23
Common IF Signature Problems .....	8-28
1 MHz Resolution Bandwidth Problems .....	8-30
30 kHz Resolution Bandwidth Problems .....	8-32
3 kHz and 10 kHz Resolution Bandwidth Problems .....	8-32
Step Gains .....	8-33
A4 Cal Oscillator Assembly .....	8-34
Cal Oscillator Unlock at Beginning of IF Adjust .....	8-35
Inadequate CAL OSC AMPTD Range .....	8-35

300 Hz to 3 kHz Resolution Bandwidth Out of Specification .....	8-36
Low-Pass Filter .....	8-40
Sweep Generator .....	8-40
AM/FM Demodulation, Audio Amplifier, and Speaker .....	8-40

---

**Note**

Because the Cal Oscillator circuitry on the A4 assembly is such an integral part of the IF adjustment, always check this assembly first, before checking the rest of the IF Section. A faulty Cal Oscillator can cause many apparent “faults” in the rest of the IF Section.

---

---

**Troubleshooting Using the TAM**

When using Automatic Fault Isolation, the TAM indicates suspected circuits that need to be manually checked. Use Table 8-1 to locate the manual procedure.

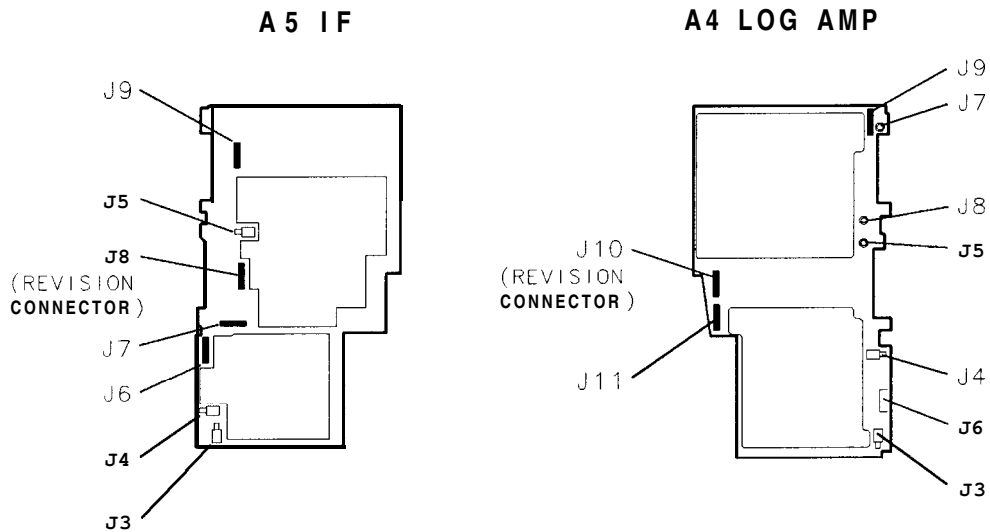
Table 8-2 lists assembly test connectors associated with each Manual Probe Troubleshooting test. Figure 8-1 illustrates the location of A4 and A5 test connectors. Figure 8-2 illustrates the levels and paths through the IF Section.

---

**Note**

HP 85629B Test and Adjustment Modules with firmware revisions A through F cannot make valid measurements on test connectors A4J9, A4J10, or A4J11.

---



SK170

Figure 8-1. A4 and A5 Test Connectors

**Table 8-1. Automatic Fault Isolation References**

Suspected Circuit Indicated by Automatic Fault Isolation	Manual Procedure to Perform
Check Cal Oscillator on A4 Assembly	Troubleshooting A4 Cal Osc with the TAM
Check Input Switch on A5 IF Assembly	Troubleshooting A5 with the TAM
Check Linear Amplifiers on A4 Assembly	Linear Amplifiers
Check Log Expand on A3 Interface Assembly	Refer to “Log Expand” in this chapter
Check Step Gains on A5 IF Assembly	Step Gains
Check Video Offsets on A4 Assembly	Video Offset ( <i>steps 1 through 4</i> )
Check VIDEO OUT on A4 Assembly	Video Output

### Troubleshooting A4 Log Amplifier with the TAM

Manual probe troubleshooting tests several dc bias points and signal path voltages. A dc bias is measured in the limiter and a fault here indicates a broken limiter stage. Signal path voltages are measured at the input, after the video amplifier in the linear path, after the offset and gain compensation circuits in the log path, and after the video offset.

The Cal Oscillator is used as an input to the log amp for the purpose of measuring gains. Faults in the signal path voltages indicate broken circuitry in prior stages. This technique locates dead stages, but might not report slightly degraded ones. Both +15 V and -15 V are measured. The revision code is on J11.

### Troubleshooting A5 with the TAM

Manual Probe Troubleshooting calculates stage bias-currents which test the operation of the IF chain. (This technique locates dead stages, but might not report slightly degraded ones.) DACs that are monitored are listed below:

IFDAC1 .....	A5U812
IFDAC2 .....	A5U813
IFDAC3 .....	A5U809
IFDAC4 .....	A5U807
IFDAC5 .....	A5U810
IFDAC6 .....	A5U806

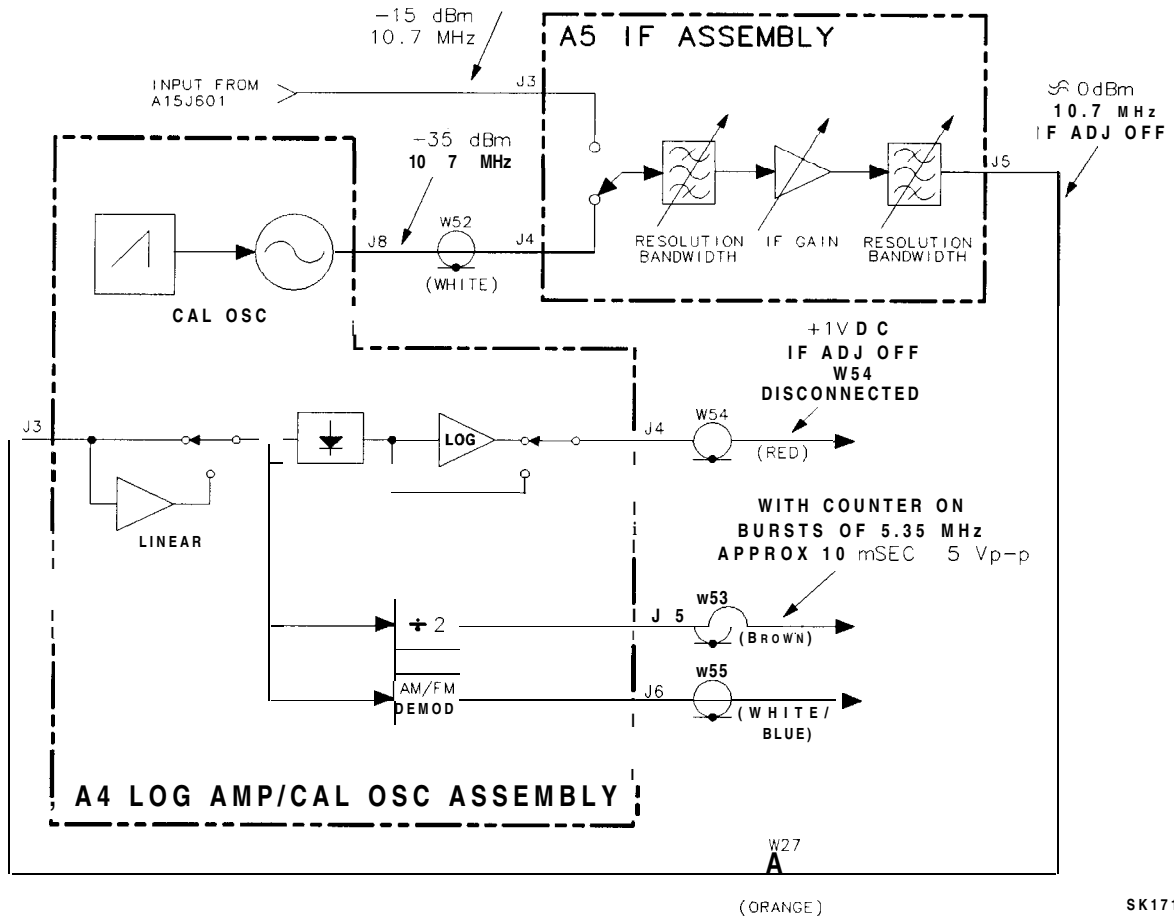
**Table 8-2. TAM Tests Versus Test Connectors (1 of 2)**

Connector	Manual Probe Troubleshooting Test	Measured Signal Liner
A3J105	Video Input to Interface	MS1
	Video to Rear Panel	MS2
	Video MUX	MS3
	Log Offset/Log Expand	MS1,MS3
	Video Filter Buffer Amplifier	MS3, MS5, OS1
	Video Peak Detectors	MS5, MS6
	ADC MUX	MS6
	Variable Gain Amplifier	MS6, MS7
	Track and Hold	MS7, MS8
A3J400	Video Trigger DAC	MS1
	Revision	MS2
	Real Time DAC #1	MS3
	RF Gain DACs	MS6
	ADC Start/Stop Control	MS7
	Trigger	MS8
A4J9	Cal Osc Sweep Gen Hardware	MS1, MS2
	Cal Osc Tune Line Test	MS3
	Cal Osc ALC Test	MS4
	Cal Osc Sweep Gen Output	MS6
A4J10	Detected log input voltage	MS1
	Limiter bias at end of (+)bias chain	MS2
	Positive 15 V Supply	MS5
A4J11	No connection	MS1
	Linear video tapped out of log amplifier	MS2
	Buffered log video (before compensation)	MS3
	Log video after temperature and offset compensation	MS4
	Revision code	MS5
	No connection	MS6
	-15 V	MS7
Video out after video offset	MS8	
A5J6	1st Step Gain Stage 1	MS1, MS2, MS8
	1st Step Gain Stage 2	MS1, MS2, MS3
	1st XTAL Pole Stage	MS2, MS3, MS4
	2nd XTAL Pole Stage	MS3, MS4, MS5
	1st LC Pole Stage 1	MS4, MS5, MS6
	1st LC Pole Stage 2	MS5, MS6, MS7

**Table 8-2. TAM Tests Versus Test Connectors (2 of 2)**

<b>Connector</b>	<b>Manual Probe Troubleshooting Tes</b>	<b>Measured Signal Liner</b>
A5J7	Ref 15 dB Attenuator Stage	MS1, MS2, MS3
	2nd Step Gain Stage	MS2, MS3, MS4
	2nd/3rd Step Gain Stage	MS3, MS4, MS5
	3rd Step Gain Stage	MS4, MS5, MS6
	Fine Atten/3rd XTL Pole	MS5, MS6, MS7
	3rd XTAL Pole Stage	MS6, MS7, MS8
A5J8	Revision	MS8
	4th XTAL Pole Stage	MS1, MS2, MS3
	Post Amplifier Stage 1	MS2, MS3, MS4
	Post Amplifier Stage 3	MS3, MS4, MS5
	3rd LC Pole Stage	MS5, MS6, MS7
	4th LC Pole Stage	MS6, MS7
A5J9	IFDAC Channels 'A'	MS1
	IFDAC Channels 'B'	MS4
	IFDAC Channels 'C'	MS3
	IFDAC Channels 'D'	MS2
	Latched IF Control Lines	MS5
	Negative 15 V Supply	MS6
	5 Volt Supply	MS7
	10 Volt Reference	MS8





**Figure 8-2. IF Section Troubleshooting with TAM**

Both the digital control and DACs are multiplexed onto test point “channels” through resistive networks. One DAC from each of the quad-DAC packages feeds into a network. The TAM varies each DAC individually to isolate which ones failed. Similarly, 10 digitally-controlled lines feed into a network and are monitored by the TAM. The channels used to monitor the DACs are listed below:

- Channel A ..... A5J9 pin 1 (MS1)
- Channel B ..... A5J9 pin 3 (MS3)
- Channel C ..... A5J9 pin 4 (MS4)
- Channel D ..... A5J9 pin 2 (MS2)

1. On the spectrum analyzer, enter the TAM Cal Osc Troubleshooting Mode by selecting diagnose then Cal Osc Troubleshooting Mode.
2. On the spectrum analyzer, disconnect W27 (coax 3) from A5J5 and monitor the output of A5J5 with a second spectrum analyzer.

3. Set the other spectrum analyzer controls as follows:

SPAN .....5 MHz  
 REFERENCE LEVEL .....+10 dBm  
 CENTERFREQUENCY .....10.7 MHz

4. On the spectrum analyzer, set the Cal Oscillator to 10.7 MHz by selecting Fixed Tuned to 10.7 MHz .
5. A +10 dBm signal from A5J5 should be displayed. If the signal is missing, disconnect W52 (coax 9) from A5J4. This is the cal oscillator signal input from the A4 Cal Oscillator assembly.
6. Connect the end of cable W52 to the input of the second spectrum analyzer. The signal coming from cable W52 should be -35 dBm at 10.7 MHz.
7. If the cal oscillator signal from cable W52 is correct, the A5 IF assembly is probably at fault.

### Troubleshooting A4 Cal Oscillator with the TAM

1. Enter the TAM Cal Osc Troubleshooting Mode.
2. On the spectrum analyzer, disconnect cable W52 (coax 9) from A5J4 and connect this end of cable W52 to the input of a second spectrum analyzer.
3. Set the controls of the second spectrum analyzer connected to cable W52 to the following:

SPAN .....5 MHz  
 REFERENCE LEVEL .....-30 dBm  
 CENTER FREQUENCY .....10.7 MHz

4. Select each of the fixed-tuned frequencies. Verify at each frequency that the signal amplitude measures -35 dBm. If the frequency is incorrect, do the following:
  - a. Verify that the reference divider output (A4U811 pin 9) is 100 kHz. If it is not, verify that the 10 MHz reference is present at A4U811 pin 1.
  - b. Verify that the frequency found on the output of the divider (A4U808 pin 15) matches the output of the reference divider. Matching frequencies indicate the oscillator loop is locked. If the loop is not locked, troubleshoot the divider, oscillator, or phase detector.
  - c. Verify that the frequency found at the divider input (A4U808 pin 3) matches the CW frequency chosen in step a. Matching frequencies indicate a properly working oscillator. If the frequency is different, troubleshoot the divider.
  - d. Repeat step c for all the CW frequencies provided by the test.
5. Select each of the sweep widths (these sweeps are centered about 10.7 MHz).
6. Reduce the span of the other spectrum analyzer to check that the A4 Cal Oscillator is actually sweeping. If the oscillator is not sweeping, perform the following steps:
  - a. The output of the sweep generator circuit (A4U804 pin 8 of function block Z) should be a series of negative-going parabolas (frequency and amplitude vary depending on the sweep width chosen). Table 8-3 lists the RANGE, MA0, and MA1 values for the sweep widths. If a failure is indicated in the IF/LOG CHECK, press More Info to provide more detailed information about the detected failure. If an HP-IB printer is available, connect it to the analyzer HP-IB connector, then press Print Page for a hard copy output.

**Table 8-3. Sweep Width Settings**

Sweep Width	Sweep Time	RES BW Adjusted	RANGE	MA1	MA0
20 kHz	5 ms	10 kHz	+5 V	0V	0V
10 kHz	10 ms	3 kHz	+5 V	0 V	+5 V
4 kHz	30 ms	1 kHz	+5 V	+5 V	0 V
2 kHz	60 ms	300 Hz	+5 V	+5 V	+5 V

---

## Automatic IF Adjustment

The spectrum analyzer performs an automatic adjustment of the IF Section whenever needed.

The Cal Oscillator on the A4 assembly provides a stimulus signal which is routed through the IF during the retrace period.

The A3 Interface assembly measures the response using its analog-to-digital converter (ADC). The spectrum analyzer turns the Cal Oscillator off during a sweep.

When IF ADJ is on, the analyzer readjusts part of the IF circuitry during each retrace period to readjust the IF completely every 5 minutes.

Automatic IF adjustment is performed upon the following conditions:

- **Power on:** (unless STOP ALIGN is pressed). The IF parameter variables are initialized to values loaded in program ROM and all possible IF adjustments are made. If STOP ALIGN is pressed, the adjustment is halted.
- If REALIGN LO & IF is selected: All possible IF adjustments (and LO adjustments) are made with the most recent IF parameter variables used as the starting point.
- If FULL IF ADJ is selected: All possible IF adjustments are made with the most recent IF parameter variables used as the starting point. (FULL IF ADJ is located in the **CAL** menu.)
- If ADJ CURR IF STATE is selected: All amplitude data and some resolution bandwidths are adjusted. The bandwidths adjusted are a function of the currently selected resolution bandwidth setting.
- Between **sweeps:** IF ADJ must be set to on. When IF ADJ is off, an A is displayed along the left side of the graticule.

If a FULL IF ADJ sequence cannot proceed beyond the amplitude portion, check the output of the A4 Cal Oscillator as follows:

1. Disconnect cable W52 (coax 9) from A5J4. Connect cable W52 to the input of a second spectrum analyzer.
2. Set the second spectrum analyzer center frequency to 10.7 MHz and the reference level to -30 dBm.
3. On the spectrum analyzer under test, press FULL IF ADJ and observe the display of the second spectrum analyzer
4. If a -35 dBm signal does not appear, the A4 Cal Oscillator is probably at fault.

## Parameters Adjusted

The following IF parameters are adjusted in the sequence listed:

1. Amplitude
  - A. Video Offsets: analog (using A4 Log Amplifier video offset DAC) and digital (applying stored constant to all readings)
    1. Linear Scale Offset
    2. Log Scale Offset
      - a. Wideband and Narrowband modes.
      - b. 0 to 60 dB range in 10 dB steps.
      - c. 10 dB/DIV and 2 dB/DIV (log expand) modes.
  - B. Step Gains (A5 IF Assembly)
    1. First Step Gain for 16 different DAC settings.
    2. Second Step Gain for 16 different DAC settings.
    3. Third Step Gain for 0, 15, and 30 dB attenuation relative to maximum gain.
    4. Fine Attenuator for 32 evenly-spaced DAC settings.
  - C. Log Amplifier Slopes and Fidelity
    1. Wideband (RES BW 300 kHz through 2 MHz) and Narrowband modes (RES BW 300 Hz through 100 kHz)
    2. 10 dB/DIV and 2 dB/DIV (log expand) modes
  - D. Linear Scale Gains - On A4 Log Amplifier Assembly
  - E. Peak Detector Offsets (both Positive and Negative Peak Detectors with respect to normal sample path used by Auto IF Adjust)
2. LC Bandwidths
  - A. 300 kHz resolution bandwidth center frequency, bandwidth, and gain.
  - B. 1 MHz resolution bandwidth center frequency, bandwidth, and gain.
  - C. 2 MHz resolution bandwidth gain.
  - D. 100 kHz resolution bandwidth center frequency, bandwidth, and gain.
  - E. 30 kHz resolution bandwidth center frequency, bandwidth, and gain.
  - F. Gain of all resolution bandwidth relative to the 300 kHz RES BW.
3. Crystal Bandwidths
  - A. The A4 Cal Oscillator sweep rate is measured against the 100 kHz resolution bandwidth filter skirt. This result is used in compensating the sweeps used for adjusting the crystal bandwidths.

- B. 10 kHz resolution bandwidth
    - 1. Center frequency of LC tank that loads the crystal
    - 2. Symmetry adjustment to cancel crystal case capacitance.
    - 3. Bandwidth
  - C. 3 kHz resolution bandwidth: center frequency of LC tank and bandwidth of resolution bandwidth
  - D. 1 kHz resolution bandwidth: bandwidth
  - E. 300 Hz resolution bandwidth: bandwidth
  - F. Gain of all resolution bandwidth relative to the 300 kHz RES BW.
4. Digital Bandwidths (10 Hz through 100 Hz)
- A. VCXO (final LO) tuned to align digital bandwidths with crystal bandwidth center frequency.
  - B. Overall gain.
  - C. Gain variation with input frequency.

## Requirements

For the Automatic IF Adjustment routine to work, the spectrum analyzer must provide the following basic functions:

- Power supplies
- Control signals
- ADC
- 10 MHz Frequency Reference to the A4 Log Amp/Cal Oscillator
- A15 RF Assembly isolation from the RF signal during IF adjustment.

A15 RF Assembly isolation is a function of the REDIR signal in the A15 Flatness Compensation Control block.

The references against which the Automatic IF Adjustment routine aligns are:

- 10 MHz reference (A15)
- Linear Scale Fidelity, especially the 10 dB gain stage in A4 Linear Amplifier block.
- 15 dB Reference Attenuator (A5)
- A4 Log Amp/Cal Oscillator output power

---

## Performance Test Failures

Failures in IF-Section-related performance tests may be investigated using the following information.

### IF Gain Uncertainty Performance Test

Failure of this performance test indicates a possible problem with the spectrum analyzer IF gain circuits. Assuming no major IF problems causing IF adjustment errors, IF gain problems in the first 50 dB of IF gain (REF LVLs of 0 dBm to -50 dBm with 10 dB ATTEN) are a result of faults on the A5 IF Assembly. IF gain problems in the next 60 dB of IF gain (REF LVLs of -60 dBm to -110 dBm, 10 dB ATTEN) result from faults on the A4 Log Amplifier assembly.

Table 8-4 lists the reference level range available in each band with 0 dB input attenuation. Table 8-5 lists the input required at A5J3 for displaying a signal at top screen with 10 dB input attenuation and a 0 dBm reference level.

**Table 8-4. Available Reference Level Range**

Band	Frequency Range (GHz)	Ref. Level Range (dBm) (0 dB Input Atten.)
0	0 to 2.9	-10 to -120

**Table 8-5. Signal Level for Reference Level Display**

Baud	Frequency Range (GHz)	Input at A5J3 (dBm) (0 dB Input Atten.)
0	0 to 2.9	- 5

Isolate IF gain problems on A4 Log Amplifier assembly with the following steps:

1. On the spectrum analyzer press **PRESET**, **SPAN**, ZERO SPAN, (frequency **GHz**), 1 **(AMPLITUDE)**, 50 **(-dBm)**.
2. Press (CAL), IF ADJ OFF.
3. Disconnect cable W27 (coax 3) from A5J5 and connect cable W27 to the output of a signal generator.

4. Set the signal generator controls as follows:

Amplitude ..... +10 dBm  
Frequency ..... 10.7 MHz

5. Simultaneously decrease the signal generator output and the spectrum analyzer REF LVL in 10 dB steps. The signal displayed by the spectrum analyzer should remain at the reference level for each step. If the signal deviates from the reference level, troubleshoot the video offset circuitry on the A4 assembly.
6. Repeat steps 1 through 4 with the spectrum analyzer set to linear.

### Scale Fidelity Performance Test

Failure of this performance test indicates a possible problem with the A4 assembly.

- If the Linear, 5 dB/DIV, or 10 dB/DIV scales are out of specification, the fault is most likely on the A4 Log Amplifier assembly.
- If only the 1 dB/DIV or 2 dB/DIV scales are out of specification, the fault is most likely on the A3 Interface assembly.

### Resolution Bandwidths Performance Tests

Most resolution bandwidth problems are a result of A5 IF assembly failures. The resolution bandwidths are adjusted in the following sequence using 300 kHz as the reference: 1 MHz, 100 kHz, 30 kHz, 10 kHz, 3 kHz, 1 kHz, 300 Hz, 100 Hz, 30 Hz, 10 Hz, and 2 MHz.

If the IF adjustment routine encountered an error, the previously adjusted resolution bandwidths should be working properly and default DAC values are used for the remaining resolution bandwidth settings.

If the IF bandpass adjustments and the automatic IF adjustments fail to bring the resolution bandwidths within specification, troubleshoot the A5 IF assembly.

---

## A4 Assembly's Log Amplifier Circuits

The Log Amplifier on the A4 assembly performs several functions. It provides log and linear paths converting the 10.7 MHz IF signal to video. In addition it also provides offset circuitry, AM/FM demodulator circuitry, a frequency counter output, and down conversion of the 10.7 MHz IF to 4.8 KHz for use by the digital IF.

The log amp results are realized by using a wide dynamic range linear detector followed by a video log amp. The detector is used for both linear and log paths and contains a mixer that doubles as the down converter mixer for the digital IF.

---

**Caution** For troubleshooting, it is recommended that you use an active probe, such as an HP 85024A, and another spectrum analyzer. If an HP 1120A Active Probe is being used with a spectrum analyzer having dc coupled inputs, such as the HP 8566A/B, HP 8569A/B and the HP 8562A/B, either set the active probe for an ac-coupled output or use a dc-blocking capacitor between the active probe and the spectrum analyzer input. Failure to do this can result in damage to the analyzer or the probe.

---

### Log Amplifier

Refer to function blocks K, L, and AE of A4 Log Amplifier Schematic Diagram in the *HP 8560A/61B/63A Spectrum Analyzer Component Level Information* binder. The log amplifier receives the detected video signal from the Detector/Mixer and outputs a voltage proportional to the log of the input voltage. The linear output is tapped off at the emitter of U501D. U507 provides input offset adjustment capability and adjusts the offset of the opamp formed by U501A, B, C, and D. Q 502 is a buffer. Q501 switches in additional offset for digital RBWs. The logarithmic characteristic of the base-emitter junction of U502B is used in the feedback path to produce the logging affect. U502D is used to adjust for non-linearities in the linear mode. R531 is used to adjust Log Fidelity at the top of the screen.

Use the following steps to verify proper operation of the log amplifier chain:

1. Set the digital multimeter to read dc Volts and connect the negative lead to the chassis of the spectrum analyzer.
2. Remove W27 from A4J3 and inject a 10.7 MHz signal of +10 dBm into A4J3.
3. Set the analyzer to log mode, with a RBW=300kHz and single sweep.
4. Using the DMM, check the voltage at U503 pin 6.
5. Verify that this level is about -700 mV.
6. Adjust the reference level of the HP 8566A/B to place the signal at the reference level.
7. Reduce the input signal level in 10 dB steps while noting the voltage displayed on the DMM. The voltage should increase (become less negative) at a rate of 30 mV for each 10 dB decrease in input power. Troubleshoot the A4 assembly if the signal does not decrease properly.
8. Set the spectrum analyzer resolution bandwidth to 100 kHz to place the wide/narrow filter in narrow mode.
9. Repeat steps 2 through 7.



10. If log fidelity is poor near the bottom of the screen or the 1 MHz resolution bandwidth is narrow, a fault might exist in the wide/narrow filter switch. Refer to function block G of A4 Log Amplifier Schematic Diagram in the *HP 8560A/61B/63A Spectrum Analyzer Component Level Information* binder. Check this switch as follows:
  - a. Monitor voltages on A4U302 pins 1 and 7 while changing the spectrum analyzer resolution bandwidth from 100 kHz to 300 kHz.
  - b. If the voltages do not come within a few volts of the +15 V and -15 V supplies, U103 and U302 are suspect.
  - c. Disconnect the digital multimeter and reconnect W27 to A4J3.

## Linear Amplifiers

Refer to function block C of A4 Log Amplifier Schematic Diagram (sheet 2 of 4) in the *HP 8560A/61B/63A Spectrum Analyzer Component Level Information* binder.

The Linear Amps consist of two variable gain stages, U201C and U201E as well as the buffer amplifier A4U201B, A4U201D, and A4Q201. The linear amplifiers provide 0 to 40 dB of IF gain in 10 dB steps. The gain of A4U201C can be increased by 20 dB by turning on A4CR201 and A4CR210 with the control line LIN\_20B. The gain of A4U201E can be increased by either 10 dB or 20 dB with the control lines LIN\_10 or LIN\_20A respectively. The gain can be selected by setting the spectrum analyzers reference level.

### IF Gain Application Guidelines (ATTEN=10 dB)

Power into A4J3	Reference Level	Gain of A4U201C	Gain of A4U201E	Total Gain
+6 dBm	-50 dBm	0 dB	0 dB	0dB
-4 dBm	-60 dBm	0 dB	10 dB	10 dB
-14dBm	-70 dBm	0 dB	20 dB	20 dB
-24 dBm	-80 dBm	20 dB	10 dB	30 dB
-34 dBm	-90 dBm	20 dB	20 dB	40 dB

Total gain can be measured by injecting the specified power into A4J3 and measuring the total gain provided by A4U201C and A4U201E. The following procedure provides a means of troubleshooting the linear amplifiers.

1. On the spectrum analyzer press (PRESET), (SPAN), ZERO SPAN , (FREQUENCY), 1 (GHz), (AMPLITUDE), 50 (-dBm), LINEAR, MORE, AMPTD UNITS , (dBm), and (AMPLITUDE).
2. Disconnect W27 (coax 3) from A5J5 and connect W27 to the output of a signal generator.
3. Set the signal generator controls as follows:
 

Amplitude ..... +6 dBm  
Frequency ..... 10.7 MHz
4. Simultaneously decrease the signal generator output and spectrum analyzer REF LVL in 10 dB steps to -90 dBm. At each step, the signal displayed on the spectrum analyzer should be within one division of the previous position.
5. If a problem exists, isolate it by comparing the actual gain of A4U201C and A4U201E with those listed in the above gain guidelines.
6. Reconnect W27 (coax 3) to A5J5.

## Video Offset

Refer to function block P of A4 Log Amplifier Schematic Diagram (sheet 3 of 4) in the *HP 8560A/61B/63A Spectrum Analyzer Component Level Information* binder.

The circuit provides a programmable video offset, with a step size of 5 mV, from -300 mV to +900 mV.

1. On the spectrum analyzer, press **PRESET**, **(SPAN)**, **ZERO SPAN**, **FREQUENCY**, 1 **GHz**, **AMPLITUDE**, 50 **-dBm**. Turn the IF auto cal off.
2. Disconnect W27 (coax 3) from A4J3 and connect a signal generator to A4J3.
3. Set the signal generator controls as follows:  
Amplitude ..... +10 dBm  
Frequency ..... 10.7 MHz
4. Simultaneously decrease the signal generator output and spectrum analyzer reference level in 10 dB steps. At each step, the signal displayed on the spectrum analyzer should be close to the reference level.
5. Reconnect W27 (coax 3) to A4J3 and cycle the analyzer power. Press **STOP REALIGN** when it appears.
6. Press **SWEEP** and **SINGLE** on the spectrum analyzer.
7. The offset DAC, A4U102 pin 2, should now be at its default value of approximately +2.45 V. The voltage at U601 pin 3 should be approximately 0 V for a DAC output of 2.45 V.
8. If this default offset voltage is incorrect, DAC U102 is the most probable cause.

## Video Output

1. On the spectrum analyzer, press **PRESET**, **FREQUENCY**, 300 **MHz**, **(SPAN)**, 100 (Hz), **AMPLITUDE**, 10 **-dBm**, and **SGL SWP**.
2. Connect the CAL OUTPUT to the INPUT 50R.
3. Disconnect W54 (coax 2) from A4J4. Connect a test cable from A4J4 to the input of an oscilloscope.
4. Set the oscilloscope controls as follows:  
Amplitude scale ..... 0 to +1 V  
Coupling ..... dc  
Sweep time ..... 5 ms/DIV
5. The oscilloscope should display a 4.8 kHz sine wave.
6. Disconnect the cable from the CAL OUTPUT and connect to the INPUT 50Ω.
7. Broadband noise should be displayed on the oscilloscope from approximately +200 mV to +400 mV.
8. As the REF LVL is decreased in 10 dB steps from -10 dBm to -70 dBm, the noise displayed on the oscilloscope should increase in 100 mV increments. If this response is not observed, refer to “Step Gains” and “Video Offset” in this chapter.

9. Reconnect cables W54 to A4J6 and W52 to A4J8.

## Frequency Counter Prescaler/Conditioner

Refer to function block Q of A4 Log Amplifier Schematic Diagram (sheet 4 of 4) in the *HP 8560A/61B/63A Spectrum Analyzer Component Level Information* binder.

The Frequency Counter Prescaler/Conditioner divides the frequency by two, and then attenuates it. The circuit consists of frequency divider (U703A) and an output attenuator. The frequency divider turns on only when the instrument is counting.

## AM/FM Demodulator

Refer to function block R of A4 Log Amplifier Schematic Diagram (sheet 4 of 4) in the *HP 8560A/61B/63A Spectrum Analyzer Component Level Information* binder.

The demodulator circuitry on the A4 Log Amplifier produces a low-level audio signal. This audio signal is then amplified by the A4 Audio Amplifier. The FM demodulator demodulates narrowband FM (5 kHz deviation) signals. The detector demodulates AM signals.

1. If demodulation problems occur when the spectrum analyzer is in the frequency domain, perform the Frequency Span Accuracy performance test and, if necessary, the YTO Adjustments procedure.
2. If an FM signal cannot be demodulated, perform the Demodulator Adjustment procedure. If the output of A4C707 cannot be adjusted for 50 mVp-p as described in the Demodulator Adjustment procedure, troubleshoot the A4 FM Demodulator or Audio MUX circuits.

## 4.8 kHz IF Filters

Refer to function block N of A4 Log Amplifier Schematic Diagram (sheet 3 of 4) in the *HP 8560A/61B/63A Spectrum Analyzer Component Level Information* binder.

Problems with the 4.8 kHz filters can result in spurious signals appearing 2.88 kHz to 3.52 kHz above the frequency of the desired response. Also, error message 536 may occur when problems exist with the 4.8 kHz IF filters.

Measure the passband of the 4.8 kHz IF Filters as described in the following procedure.

1. On the spectrum analyzer, press **CAL**, IF ADJ OFF , **SPAN**, 600 (Hz).
2. Disconnect W27 from A4J3 and inject a 10.7 MHz signal of -20 dBm into A4J3.
3. Fine-tune the frequency of the signal generator to center the signal on the screen. Set the signal generator to sweep one 2 kHz span about this center frequency. Set the spectrum analyzer to single sweep.
4. Set the HP 8566A/B to 4.8 kHz center frequency and 2 kHz span.
5. Connect the VIDEO OUTPUT (rear panel) of the spectrum analyzer through a 20 dB attenuator and dc block to the input of the HP 8566A/B. Set the sweep time of the HP 8566A/B to 10 seconds.

---

**Caution** If a dc block is not used, damage to the HP 8566A/B results. The HP 8566A/B and many other spectrum analyzers have dc-coupled inputs and cannot tolerate dc voltages on their inputs.

---

6. Set the HP 8566A/B to single trigger and press TRACE A [CLEAR-WRITE]. Trigger a sweep of the HP 8566A/B and the signal generator simultaneously. The HP 8566A/B shows the passband of the 4.8 kHz IF filters. The 3 dB bandwidth of the filters should be 1.2 kHz. The passband of the filters should be flat within 2 dB over 800 Hz.
7. If continuing to the next procedure, “4.8 kHz and 10.7 MHz IF Filters,” press TRACE A [VIEW] on the HP 8566A/B.
8. Reconnect W27 (coax 3) to A4J3.

### 4.8 kHz and 10.7 MHz IF Filters

1. Connect a 10.7 MHz signal from a signal generator to the input of the A5 IF assembly and decrease the signal generator level to -50 dBm.
2. Fine tune the frequency of the signal generator to center the signal on the screen. Set the signal generator to sweep one 2 kHz span about this center frequency. Set the spectrum analyzer to single sweep.
3. Set the HP 8566A/B to 4.8 kHz center frequency and 2 kHz span.
4. Connect the VIDEO OUTPUT (rear panel) of the spectrum analyzer through a 20 dB attenuator and dc block to the input of the HP 8566A/B. Set the sweep time of the HP 8566A/B to 10 seconds.

---

**Caution** Damage to the HP 8566A/B results if a dc block is not used. The HP 8566A/B and many other spectrum analyzers have dc-coupled inputs and cannot tolerate dc voltages on their inputs.

---

5. Set the HP 8566A/B to single trigger and press TRACE B [CLEAR-WRITE]. Trigger a sweep of the HP 8566A/B and the signal generator simultaneously. The HP 8566A/B should show a 3 dB bandwidth of approximately 320 Hz.
6. To view the bandwidth of the 10.7 MHz IF filters alone, proceed as follows:
  - a. If the peak of the active trace (trace B) is not at the same amplitude as the stored trace (trace A), adjust the HP 8566A/B reference level as necessary and repeat step 5.
  - b. Press TRACE B [VIEW] on the HP 8566.
  - c. On the HP 8566, press [A-B▶A]. The bandwidth of the 10.7 MHz filters is displayed upside down and may have “wings” toward the sides. These “wings” should be ignored.
  - d. Press [A⇐B], DISPLAY LINE [ENTER]. Adjust the display line such that it is at the peak of trace B (the dimmer trace). Press [B-DL▶B]. The signal disappears from the screen; it is actually below the bottom of the screen.
  - e. On the HP 8566A/B, press [FREQUENCY SPAN], 0 [Hz], [LOG dB/DIV], 1 [dB], [SWEEPTIME], 50 [ms]. Disconnect the signal from the RF INPUT. Press TRACE A [CLEAR WRITE], [SINGLE].

- f. Press **A-B▶A**, **(FREQUENCY SPAN)**, 2 **(kHz)**. The response should now be displayed right-side up. Ignore any “wings” to the left and right of the passband.
- g. The amplitude at 4.5 kHz and 5.1 kHz relative to 4.8 kHz should be 0 to -2.5 dB..

## 10.6952 MHz VCXO

Refer to function block E of A4 Log Amplifier Schematic Diagram (sheet 2 of 4) in the *HP 8560A/61B/63A Spectrum Analyzer Component Level Information* binder.

The purpose of the 10.6952 MHz voltage-controlled crystal oscillator (VCXO) is to provide an LO for down-converting the peak of the 10.7 MHz IF filter’s passband to 4.8 kHz. Since the peak of the passband of the 10.7 MHz IF filters is 10.7 MHz  $\pm$ 10 Hz, the frequency of the VCXO is between 10.69519 MHz and 10.69521 MHz. This frequency can best be measured at the collector of A4Q202.

The center frequency of the 300 Hz resolution-bandwidth filters and the 10 Hz to 100 Hz filters should differ no more than 10 Hz. If the center frequency is different by more than this, or if no signal is present in the 10 Hz to 100 Hz resolution-bandwidth settings, troubleshoot the 10.6952 MHz VCXO.

Error message 539 may occur if the VCXO is not oscillating. If problems exist with the VCXO control voltage, error messages 536 or 530 may occur.

Between sweeps the VCXO, at times, is turned off. To prevent the oscillator from turning off, press **(PRESET)**, **(FREQUENCY)**, 0.3 **(GHz)**, **(SPAN)**, 1 **(kHz)**, **(SGL SWP)**.

## Input Switch

Refer to function block D of A4 Log Amplifier Schematic Diagram (sheet 2 of 4) in the *HP 8560A/61B/63A Spectrum Analyzer Component Level Information* binder.

The input switch switches between Log and Linear modes. In addition it contains a 20 dB attenuator which is used only and always in digital resolution bandwidth settings. CR207, CR208, and CR209 form the input switch. CR205 and CR206 switch in R234 when in linear mode to maintain a constant impedance at J3. CR210, CR211, CR212, and CR221 switch the 20 dB attenuator in and out.

## LO Switch

Refer to function block F of A4 Log Amplifier Schematic Diagram (sheet 2 of 4) in the *HP 8560A/61B/63A Spectrum Analyzer Component Level Information* binder.

The LO switch switches the limiter input between the 10.7 MHz path or the 10.6952 MHz VCXO path.

## Synchronous Detector

A wide dynamic range linear detector is realized by the Limiter (block G), the Isolation Amplifier (block H), the LO Amplifier (block I), and the Detector/Mixer (block J). The combination of these circuits form what is commonly known as a synchronous detector.

The input signal is split between two paths. One path flows through the Isolation Amplifier and the other path flows through the Limiter and LO Amplifier. The path flowing through the limiter generates the LO for the Detector/Mixer block. The path through the Isolation Amplifier drives the RF port.

To troubleshoot this group of circuits set the RBW to 300 kHz. Inject 10.7 MHz at +6 dbm into J3. Probe the gate of A4Q404 or A4Q405 with a scope. Look for a 0 to -3 V square wave. Decrease the input power from +6 dBm to -84 dBm in 10 dB steps. The square wave signal should remain unchanged. It is normal for the phase of the signal to jitter at the lowest signal levels.

The signals at the gates of A4Q404 and A4Q405 should be 180 degrees out of phase from each other. If they are not 180 degrees out of phase or one of the signals are not present, troubleshoot the LO Amplifier or the FET's in the mixer. If the signal is not a symmetrical square wave, troubleshoot the LO amplifier. If the signal drops out prematurely or is not present at all, troubleshoot the limiter or LO amplifier.

Repeat the procedure for an RBW  $\leq$  100 kHz. If the log amplifier works in the 300 kHz RBW but not in the narrower RBWs, troubleshoot the log narrow filter in the limiter or isolation amplifier. A4CR302 and A4CR303 are varactor diodes in the limiter filter and are used to tune the filter.

### Limiter

Refer to function block G of A4 Log Amplifier Schematic Diagram (sheet 2 of 4) in the *HP 8560A/61B/63A Spectrum Analyzer Component Level Information* binder.

The Limiter consists of 7 identical 20 dB gain stages. A "log narrow filter" is switched in for RBWs  $\leq$  100 kHz. This filter is switched in using the control lines NARROW between the 4th and 5th stages. During normal operation, the limiter serves to amplify even the smallest 10.7 MHz signals up to a level sufficient to drive the LO Amplifier and subsequent Detector/Mixer. This signal serves as the LO for the mixer circuitry.

### Isolation Amplifier

Refer to function block H of A4 Log Amplifier Schematic Diagram (sheet 3 of 4) in the *HP 8560A/61B/63A Spectrum Analyzer Component Level Information* binder.

The isolation amplifier prevents LO port to RF port feedthrough in the mixer from feeding back to the input of the limiter and causing loop oscillations. In addition, the isolation amplifier matches the phase of the non-limited signal path to the phase of the limited signal path. The isolation amplifier should have a gain of about 4 dB and also has a "log narrow filter" that is switched with the control line NARROWB.

### Detector/Mixer

Refer to function block J of A4 Log Amplifier Schematic Diagram (sheet 3 of 4) in the *HP 8560A/61B/63A Spectrum Analyzer Component Level Information* binder.

Sum and difference frequencies are produced in the Detector/Mixer. The difference frequency produces video (dc to approximately 3 MHz), since the two signals are at the same frequency. During digital resolution bandwidths the two signals are separated by 4.8 kHz.

## Log Offset/Gain Compensation

Refer to function blocks L and M of A4 Log Amplifier Schematic Diagram (sheet 3 of 4) in the *HP 8560A/61B/63A Spectrum Analyzer Component Level Information* binder.

### Log Offset Compensation

The gain of A4U503 is set to unity, with A4R539 and A4R540 combining for a gain of 0.5. So the gain from A4U503 pin 3 to A4U508 pin 3 should be 0.5.

### Log Gain Compensation

The gain of A4U508 is nominally 6.8, measuring from pin 3 to pin 8.

To check the log offset/gain compensation circuits inject a +10 dBm signal into J3 with the analyzer set to log mode. Measure A4U503 pin 3, vin (1) and A4U508 pin 3, vout (1) and record the results. Decrease the input level to -40 dBm and make the same measurements recording vin (2) and vout (2).

The gain is then:

$$\frac{(\text{vout}(1) - \text{vout}(2))}{(\text{vin}(1) - \text{vin}(2))}$$

This gives an offset independent gain measurement.

## Video Mux

The video mux switches the video output between linear, log and 4.8 kHz IF (for digital RBWs). The demod video is an unused feature. The easiest way to trouble shoot this circuit is to look for blown FETs. Bad FETs are characterized by having significant gate current. Only one of the signal lines LIN-VIDEO, IF-VIDEO or LOG-VIDEO should be high (+15 V) at any given time. The others should be low (-15 V). Also look for a voltage drop of several volts across the gate resistors R601, R605, R609, or R613 when in either the off or on state. This indicates gate current and thus a bad FET.



---

## A5 IF Section

The input switch connects the IF to either the A4 Cal Oscillator or the 10.7 MHz IF output from the A15 RF assembly. The Automatic IF Adjustment uses the A4 Cal Oscillator at instrument turn-on and between sweeps to align the IF filters and step-gain amplifiers. During sweeps the input switch selects the 10.7, MHz IF output from A15.

The LC filters are variable-bandwidth filters that provide resolution bandwidths from 30 kHz to 2 MHz. The Automatic IF Adjustment sets the bandwidths and center frequencies of each filter stage.

The crystal filters are variable-bandwidth filters that provide resolution bandwidths from 300 Hz to 10 kHz. The Automatic IF Adjustment sets the filter bandwidths and symmetry.

The step-gain amplifiers consist of the first step-gain stage, second step-gain stage, and third step-gain stage. These amplifiers provide gain when the analyzer reference level is changed. The amplifiers also provide gain range to compensate for variations in the IF filter gains, which change with bandwidth and environmental conditions, and band conversion loss in the front end. Fixed-gain amplifiers shift the signal levels to lower the noise of the IF chain.

The assembly has two variable attenuators. The fine attenuator provides the 0.1 dB reference level steps. The reference 15 dB attenuator provides a reference for automatic adjustment of the step-gain amplifiers and the A4 Log Amplifier assembly. The reference 15 dB attenuator also provides gain for changes in analyzer reference level.

Various buffer amplifiers provide a high-input impedance to prevent loading of the previous filter pole and a low-output impedance to drive the next filter pole.

Digital control signals from the W2 Control Cable, the “analog bus,” drive the control circuitry. At the beginning of each sweep the analog bus sets each control line for instrument operation. At the end of each sweep the analog bus sets each control line for the next portion of the Automatic IF Adjustment routine. IF adjustments continuously remove the effects of component drift as the analyzer temperature changes.

The assembly contains a reference limiting amplifier. This amplifier provides a known amount of limiting for the Automatic IF Adjustment routines. (Limiting occurs only during the Automatic IF Adjustment routines.) The LC34\_Short switches are open during sweeps. The current in the reference limiter is increased during sweeps to prevent limiting.

---

**Caution** For troubleshooting, it is recommended that you use an active probe, such as an HP 85024A, and another spectrum analyzer. If an HP 1120A Active Probe is being used with a spectrum analyzer having dc-coupled inputs, such as the HP 8566A/B, HP 8569A/B and the HP 8562A/B, either set the active probe for an ac-coupled output or use a dc-blocking capacitor between the active probe and the spectrum analyzer input.

---

---

**Caution** Do not short control voltages to ground. These voltages are not short-circuit protected. DACs damaged by shorting these voltages might not fail until several weeks after the shorting takes place.

---



---

**Caution** Do not short power-supply voltages to ground. The analyzer power-supply current limiting cannot protect the resistors in series with the power supply.

---

**Note** Some transistors have collectors connected to the case. Electrical connection of the case to the collector might not be reliable, making collector voltage measurements on the transistor case unreliable.

---

## IF Signature

1. Disconnect W27 (coax 3) from A5J5.
2. Connect the source connection of a 3 dB power splitter to A5J5. (Minicircuits Model: ZSC J-2-1) Connect one output of the power splitter to the input of an HP 8566A/B Spectrum Analyzer. Connect the other output of the power splitter to cable W27 (coax 3).

---

**Note** If a 3 dB power splitter is not available, an SMB tee and an active probe with a 10:1 divider may be substituted. Connect the active probe between the tee and the other spectrum analyzer. The absolute power levels are approximately 17 dB lower than those stated below, due to the elimination of the 3 dB power splitter and the 20 dB loss through the 10:1 divider.

---

3. Set the HP 8566A/B controls as follows:

REFERENCE LEVEL .....	+10 dBm
CENTERFREQUENCY .....	10.7 MHz
SPAN .....	0 Hz
RESOLUTION BANDWIDTH .....	300 kHz
VIDEO BANDWIDTH .....	300kHz
SWEEP TIME .....	..4.5 s
TRIGGER .....	Single

4. On the HP 8566A/B press (SHIFT), (trace A blank) to set detector to SAMPLE mode.

5. On the spectrum analyzer, press (PRESET) and set the controls as follows:

CENTER FREQ .....	..300 MHz
SPAN .....	.2 MHz

6. On the spectrum analyzer, press (TRIG), SINGLE, (CAL).

7. Simultaneously press (SINGLE) on the HP 8566A/B and ADJ CURR IF STATE on the spectrum analyzer. The IF signature is displayed on the HP 8566A/B display.

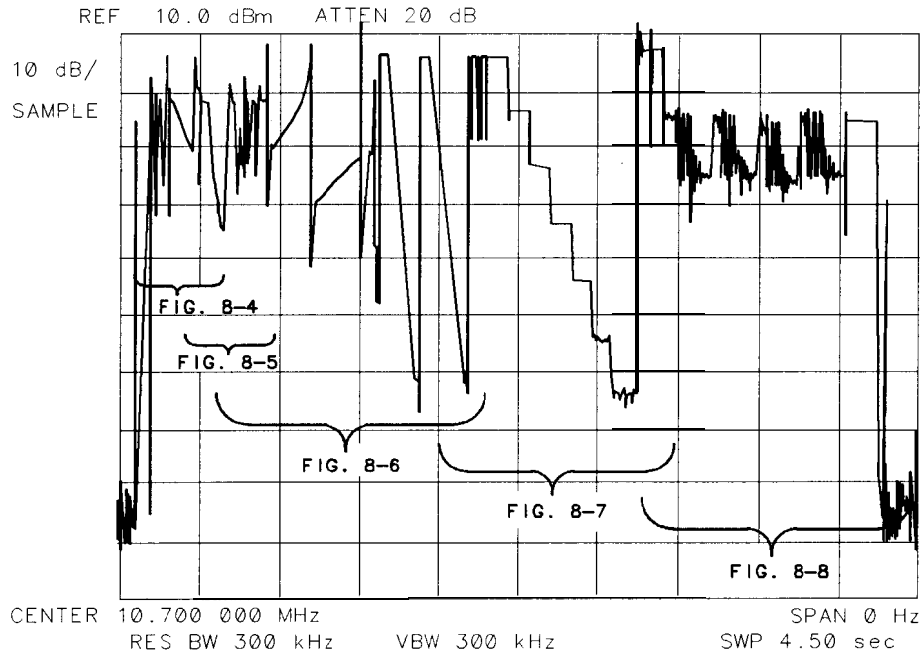
8. Compare the IF signature to the signature of a properly operating spectrum analyzer illustrated in Figure 8-3. If the signatures do not closely resemble each other, a more detailed view of the signature may show the failed hardware.

a. Set the HP 8566A/B controls as follows:

Sweep Time .....	0.5 s
dB/DIV .....	5 dB

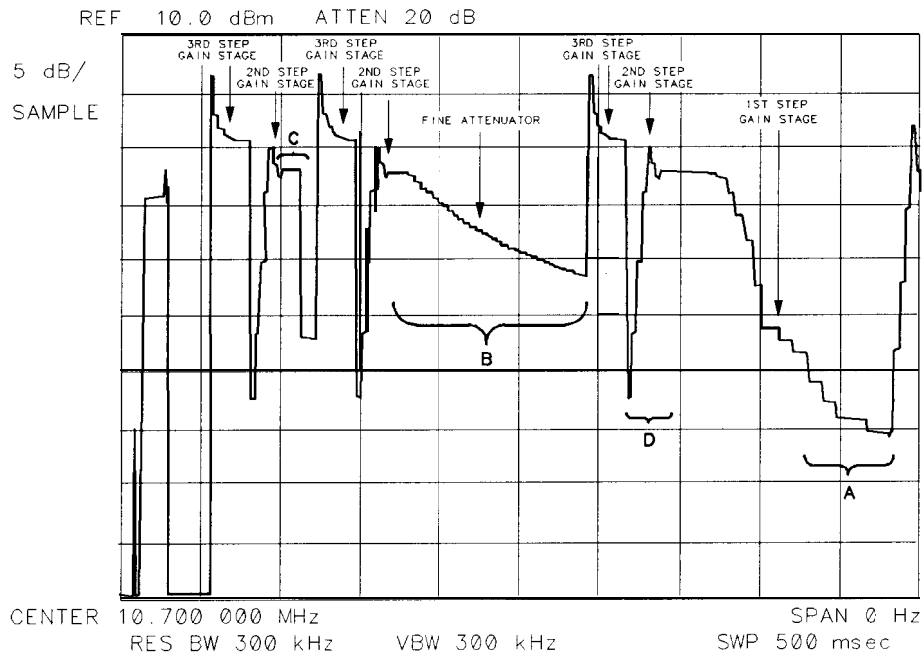
b. Simultaneously press (SINGLE) on the HP 8566A/B and ADJ CURR IF STATE on the spectrum analyzer. Figure 8-4 through Figure 8-8 illustrate detailed IF signatures of a properly operating HP 8560A.

9. Reconnect W27 (coax 3) to A5J5.



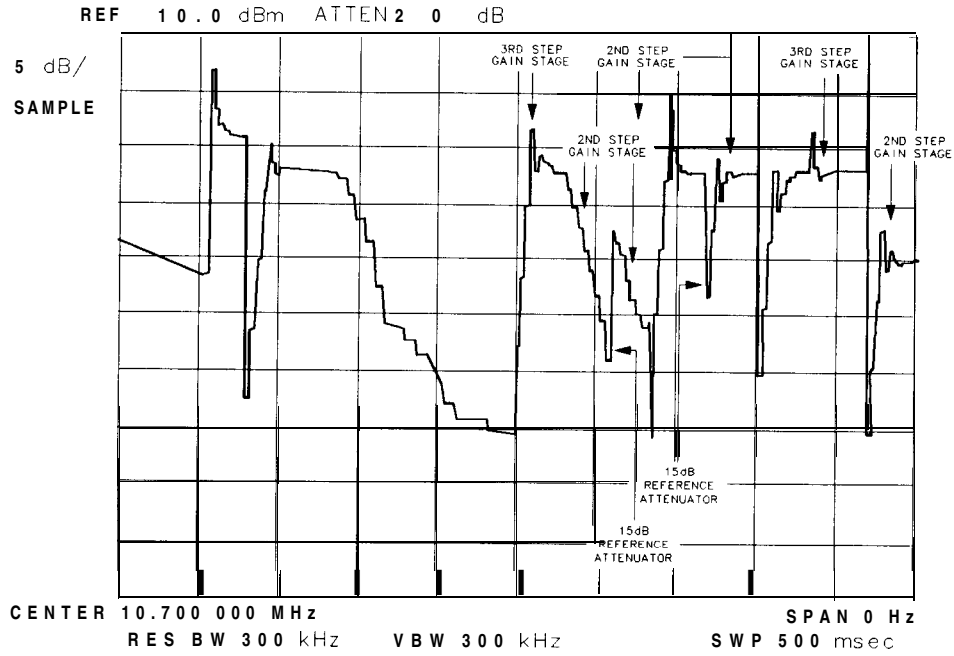
SK172

**Figure 8-3. IF Adjust Signature**



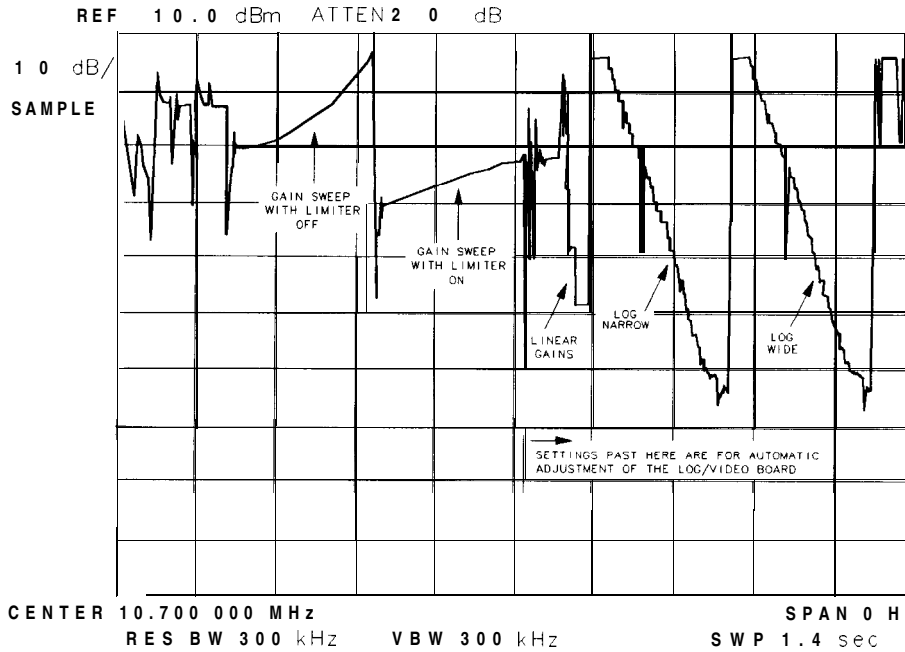
SK173

**Figure 8-4. Detailed IF Adjust Signature (1)**



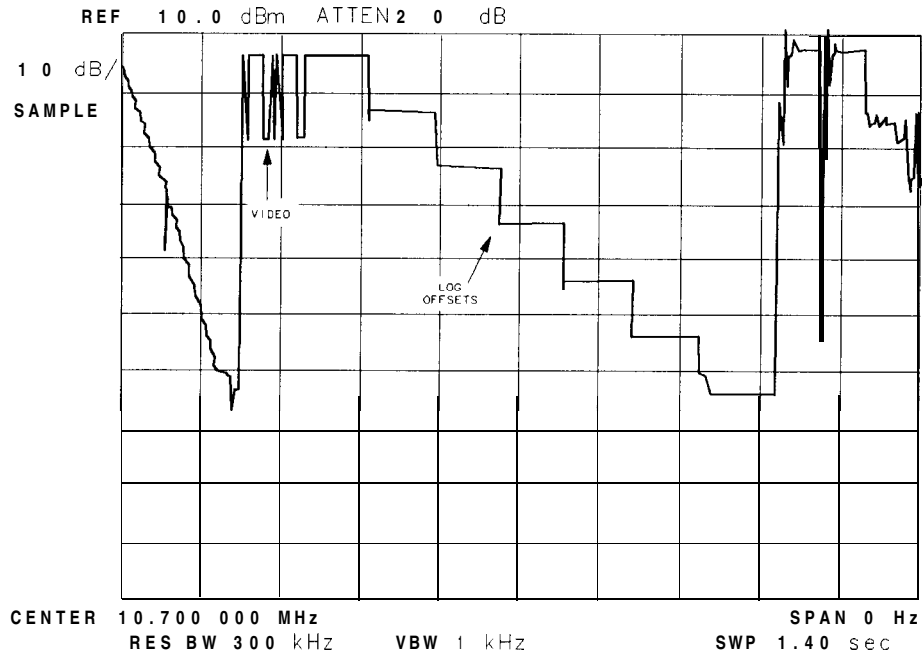
SK174

Figure 8-5. Detailed IF Adjust Signature (2)



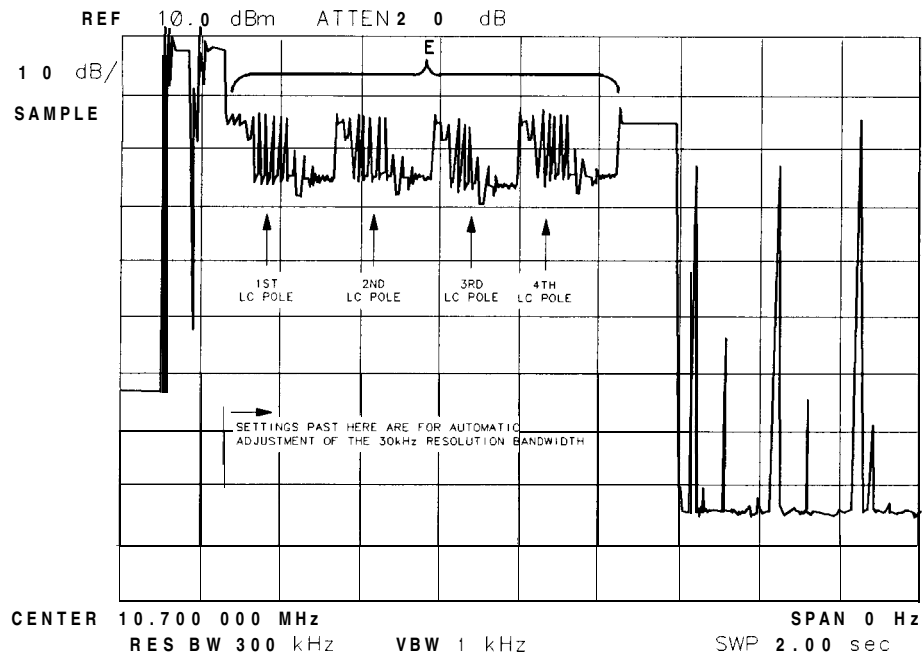
SK175

Figure 8-8. Detailed IF Adjust Signature (3)



SK176

Figure 8-7. Detailed IF Adjust Signature (4)

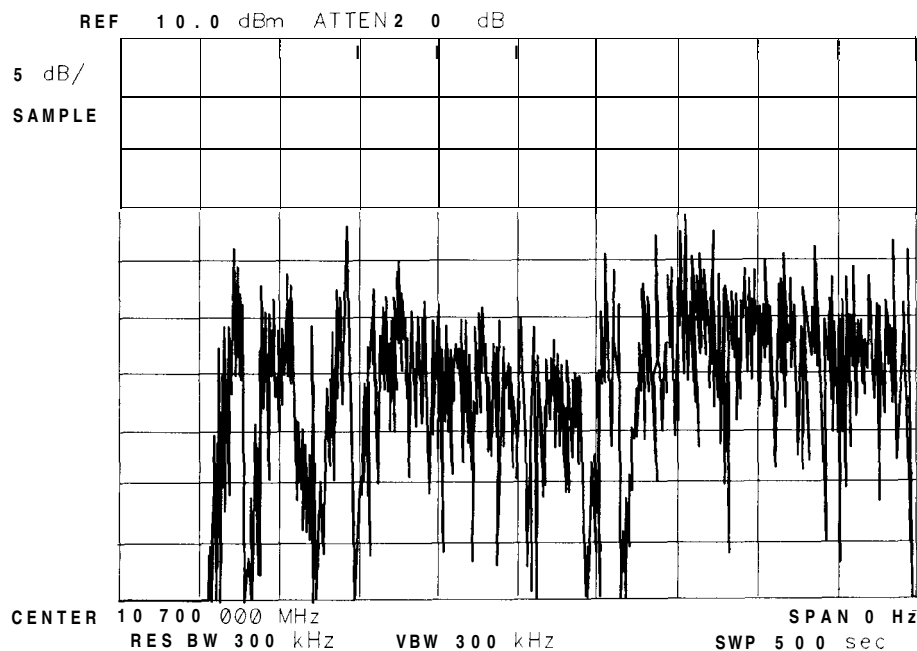


SK177

Figure 8-8. Detailed IF Adjust Signature (5)

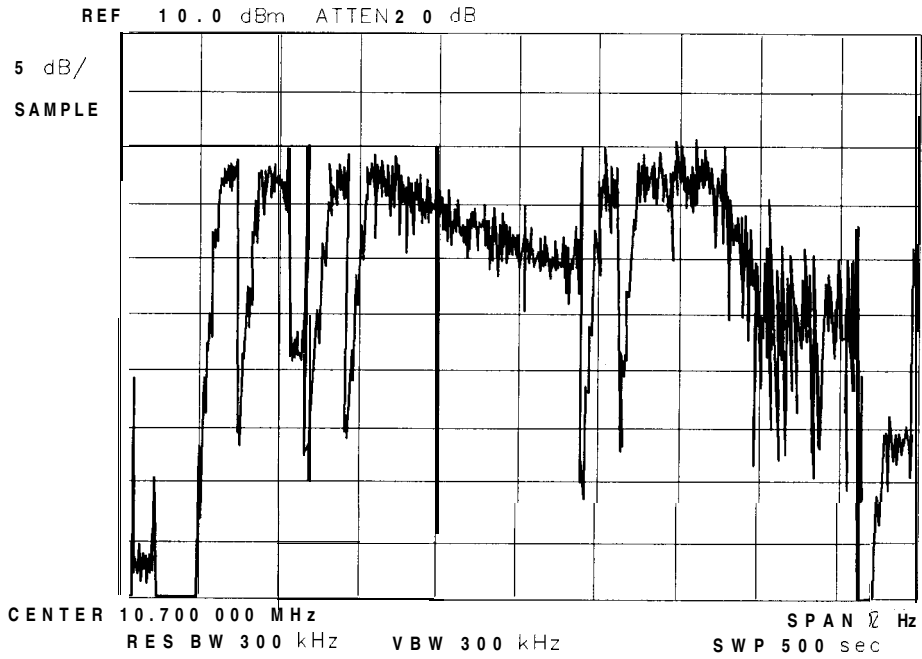
## Common IF Signature Problems

- **Region A of Figure 8-4 is noisy:** Suspect the first LC pole.
- **Region B of Figure 8-4 is flat:** Suspect the third step-gain stage, the fine attenuator, or the fourth LC-pole output amplifier.
- **Region C of Figure 8-4 has no 15 dB step:** Suspect the reference 15 dB attenuator.
- **Region D of Figure 8-4 is flat:** Suspect the second step-gain stage.
- **Entire signature noisy:** If the signature resembles Figure 8-9, suspect a broken first step-gain stage or a break in the signal path in the input switch, first crystal pole, or second crystal pole.
- **Correct shape but noisy:** If the signature resembles Figure 8-10, suspect the second crystal-pole output amplifier.
- **Amplitude of Region B of Figure 8-11 varies more than 12 dB:** Suspect the third step-gain stage output amplifier.
- **Region B of Figure 8-12 is kinked:** Suspect the fourth LC-pole output amplifier.



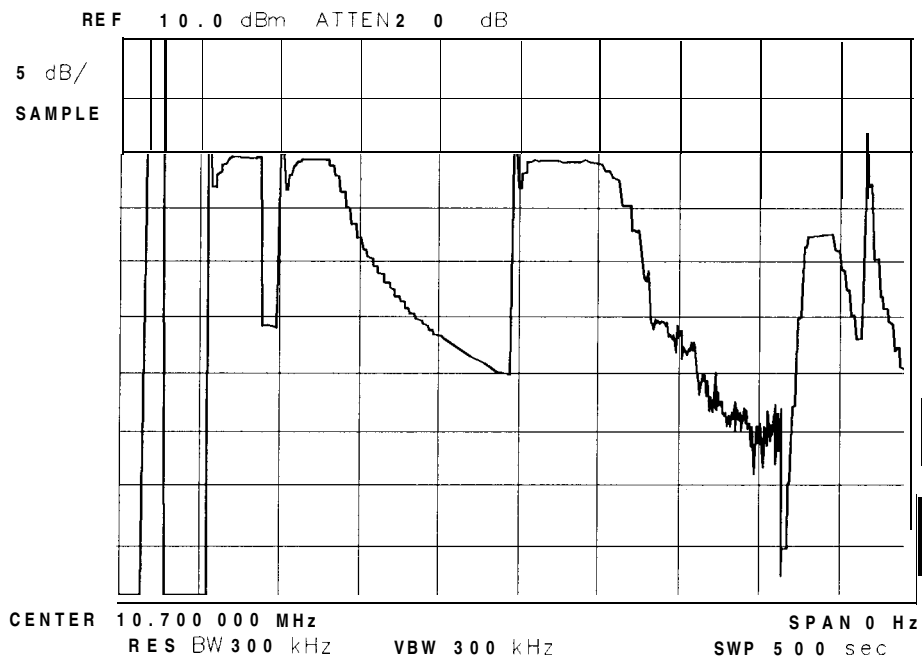
SK178

Figure 8-9. Noisy Signature



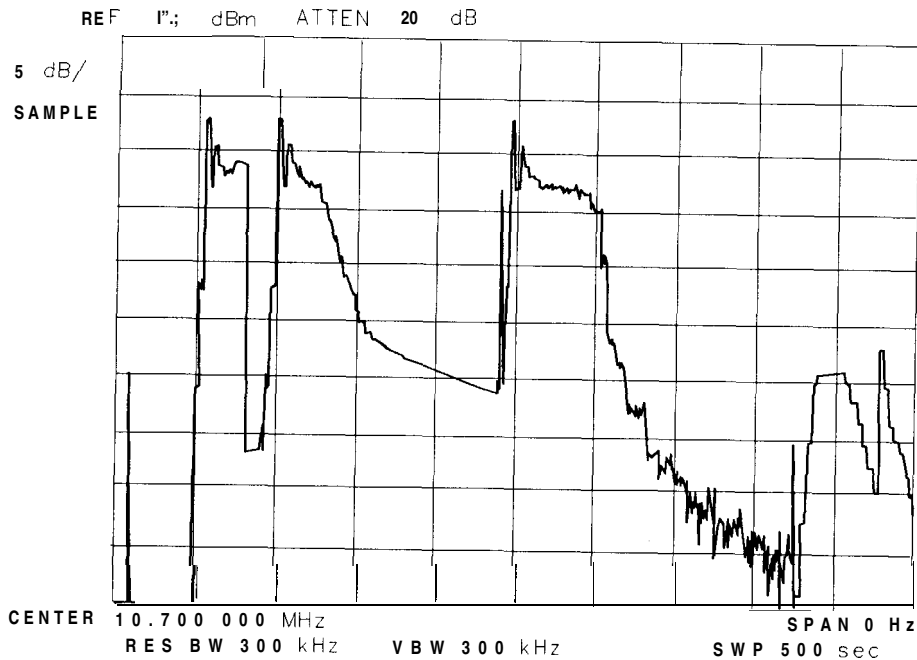
SK179

Figure 8-10. Noise with Correct Shape



SK180

Figure 8-11. Region B Amplitude Variation



SK181

**Figure 8-12. Region B Amplitude Offset**

### 1 MHz Resolution Bandwidth Problems

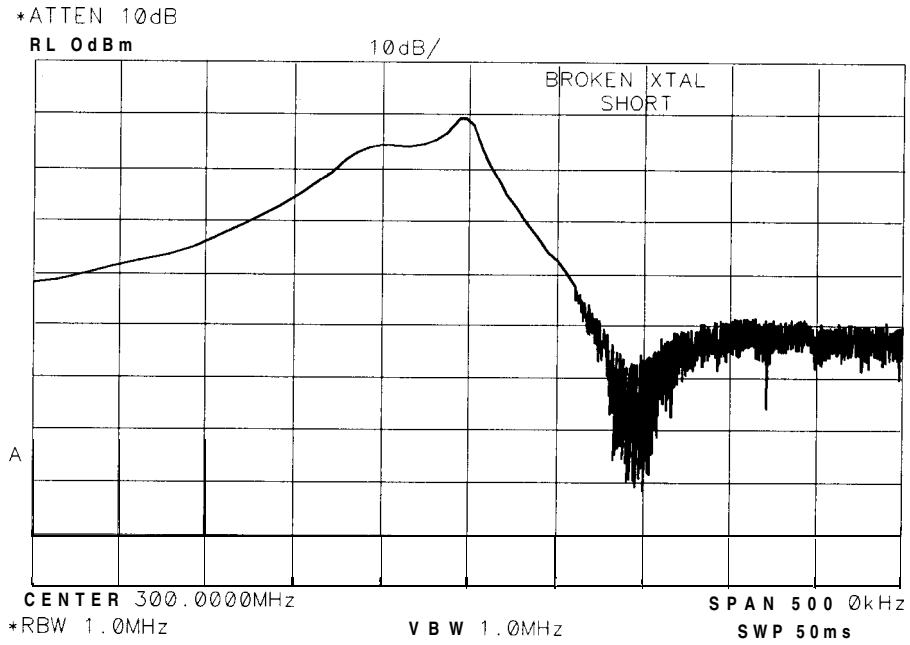
Check the crystal shorting switches as follows:

1. On the spectrum analyzer, press **PRESET** and set the controls as follows:

RES BW .....	..1MH Z
SPAN .....	500kHz
FREQUENCY .....	..300 MHz

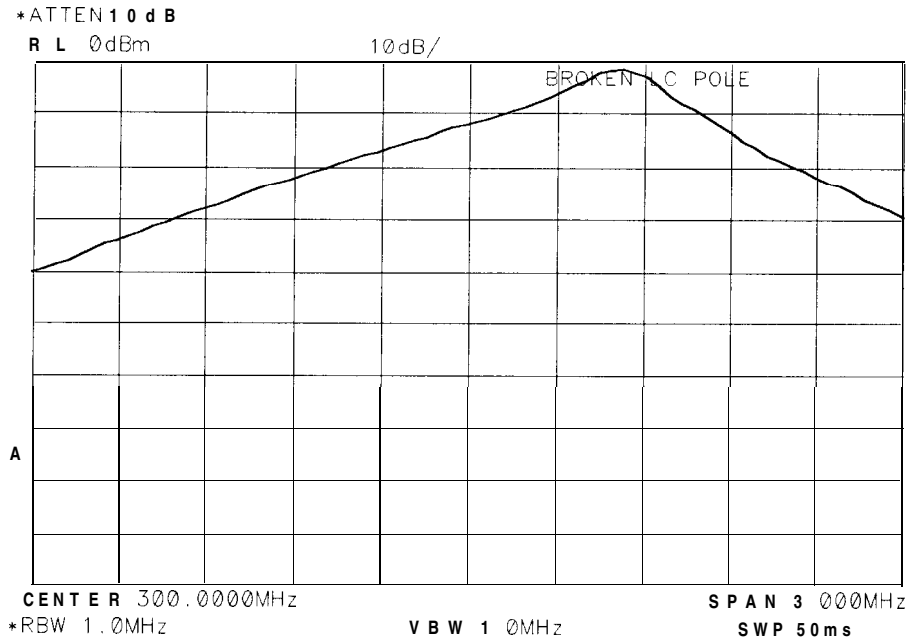
2. On the spectrum analyzer, connect the 300 MHz CAL OUTPUT to the INPUT 50ohm.
3. If the trace flatness is not within 2.5 dB, a failure probably exists.
4. A trace similar to Figure 8-13 indicates a crystal short failure.
5. Set the spectrum analyzer (SPAN) to 3 MHz. A trace that slopes across the screen (see Figure 8-14) indicates a failed LC pole. To isolate the broken pole refer to the shape factor information in "30 kHz Resolution Bandwidth Problems."





SK182

Figure 8-13. Faulty Crystal Short



SK183

Figure 8-14. Faulty LC Pole

### 30 kHz Resolution Bandwidth Problems

**Shape factor too high:** Shape factor is the ratio of the 60 dB bandwidth to the 3 dB bandwidth. Shape factor should be less than 15:1. If one of the LC poles malfunctions, the shape factor may be the only indication of the failure. Isolate the non-functioning pole with the IF signature. Region E of Figure 8-8 illustrates the four LC- pole adjustments. Take several signatures to examine the LC-pole adjustments. If one of the four sections of Region E is consistently longer than the others, the corresponding LC pole is faulty.

**IF gain compression:** FET transistors Q301, Q303, Q700, and Q701 can deteriorate with age. Measuring less than 0 volts on the FET source indicates a bad FET.

**Bandwidth too wide:** Check for contamination on the printed-circuit board. Clean the board as required.

### 3 kHz and 10 kHz Resolution Bandwidth Problems

**Asymmetric Filter Response:** Check the crystal symmetry control with the following steps.

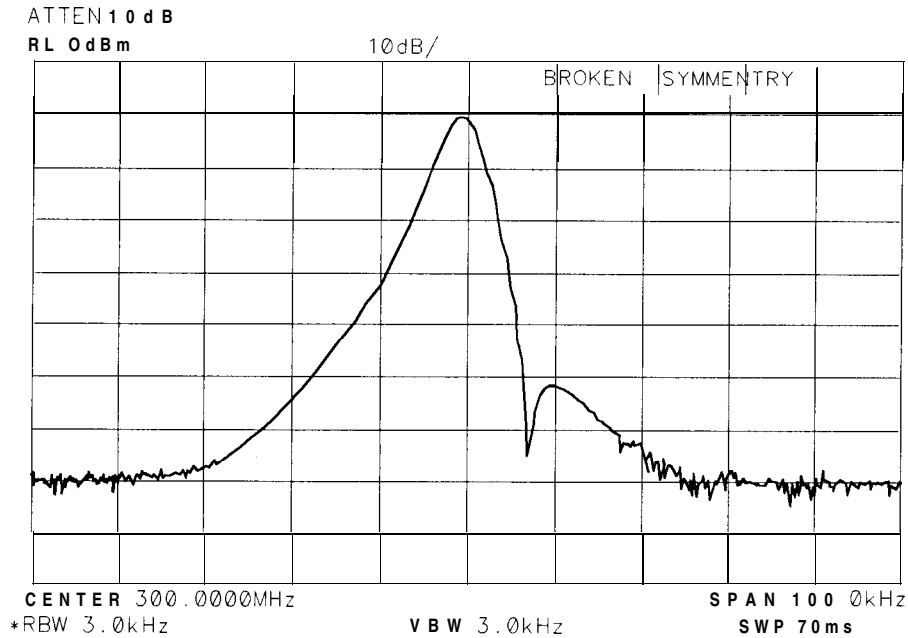
1. Press (PRESET).
2. Set the spectrum analyzer controls as follows:

RES BW .....	3kHz
SPAN .....	100 kHz
FREQUENCY .....	100 kHz

3. On the spectrum analyzer, connect the 300 MHz CAL OUTPUT to the INPUT 50Ω.
4. A trace similar to Figure 8-15 indicates a failed crystal-symmetry circuit.

**Narrow 10 kHz resolution bandwidth:** Check for printed-circuit board contamination. Clean the board as required.

**IF Gain Compression in 10 kHz resolution bandwidth:** FET transistors Q202, Q203, Q501, and Q503 can deteriorate with age. Measuring less than 0 volts on the FET source indicates a bad FET.



SK184

**Figure 8-15. Faulty Crystal Symmetry**

## Step Gains

Refer to function blocks B, H, and I of A5 IF Filter Schematic Diagram (sheets 1 of 3 and 2 of 3) in the *HP 8560A/61B/63A Spectrum Analyzer Component Level Information* binder.

1. On the spectrum analyzer, press **PRESET**, **SPAN**, **ZERO SPAN**, **FREQUENCY**, 1 **GHz**.
2. Press **CAL**, **IF ADJ OFF**.
3. Disconnect W29 (coax 7) from A5J3 and W27 (coax 3) from A5J5.
4. Inject a -5 dBm, 10.7 MHz signal into A5J3.
5. Monitor the output of A5J5 with another spectrum analyzer.
6. Simultaneously decrease the signal generator output and spectrum analyzer reference level in 10 dB steps.
7. At each step, the signal displayed on the other spectrum analyzer should be close to +10 dBm. (More subtle IF gain problems might require smaller signal generator and reference level steps.)
8. Reconnect W29 to A5J3 and W27 (coax 3) to A5J5.

---

## A4 Assembly's Cal Oscillator Circuit

The Cal Oscillator on the A4 assembly supplies the stimulus signal for Automatic IF adjustments. Normally, the oscillator operates only during retrace (for a few milliseconds) to adjust part of the IF. (All IF parameters are to be readjusted about every 5 minutes.) With continuous IF adjust on, a group of IF parameters are adjusted during each retrace period (non-disruptive). If continuous IF adjust is off, the most recent IF calibration data is used.

The IF parameters adjusted include step gains, log amplifier gain and offset, bandwidth centering, 3 dB bandwidth, bandwidth amplitude, and crystal-filter symmetry.

The A4 Cal Oscillator provides three output frequencies (all -35 dBm):

- 10.7 MHz
- 9.9 to 11.5 MHz in 100 kHz steps
- Frequency sweeps from 20 kHz to 2 kHz centered at 10.7 MHz (lasting 5 to 60 ms respectively)

The signals perform the following functions:

- Adjust gains, log amps, and video slopes and offsets.
- Adjust 3 dB bandwidth and center frequencies of LC resolution bandwidth filters (30 kHz through 1 MHz).
- Adjust 3 dB bandwidth, symmetry, and gain of the crystal resolution bandwidth filters (300 Hz through 10 kHz).

The cal oscillator uses a phase-locked loop (PLL). The oscillator (function block X) is locked to the instrument 10 MHz reference. The reference divider (function block U) divides the reference and delivers a 100 kHz logic signal to the phase detector (function block V). The divide-by-N circuitry (function block Y) divides the oscillator output of 9.9 MHz to 11.5 MHz (by 99 to 115) resulting in a 100 kHz output to the phase detector. When the cal-oscillator PLL is locked, narrow positive and negative of equal width pulses occur at the phase detector output. Since the phase detector drives a low-input impedance at the loop integrator, observe the positive pulses at A4CR808 anode and negative pulses at A4CR809 cathode.

The loop integrator acts as a low-pass filter that filters the pulses and inverts the result. If the anode of A4CR808 is more positive (with respect to ground) than the cathode of A4CR809 is negative, the loop integrator output should saturate to approximately -13 V. Conversely, if the anode of A4CR808 is less positive than the cathode of A4CR809 is negative, the integrator should saturate to a positive voltage.

---

**Note** If error messages 581 AMPL or 582 AMPL appears, refer to error message 582 AMPL in Chapter 6 and perform the procedure provided.

---

1. The oscillator output frequency should exceed 11.5 MHz if the CAL OSC TUNE line, A4U804 pin 14, exceeds +9 V. The oscillator frequency should be less than 9.9 MHz if CAL OSC TUNE is below -9 V. The oscillator only operates when CALOSC-OFF is low (0 V).
2. If the Cal Oscillator remains locked (no error code 499 displayed) but does not have the correct output level, troubleshoot the output leveling circuitry (function blocks AA, AB, and AC) or output attenuator (function block AD).

## Cal Oscillator Unlock at Beginning of IF Adjust

1. Turn the spectrum analyzer **LINE** switch off and then on. The words IF ADJUST STATUS appear on the display 10 seconds after the instrument is turned on (assuming the rest of the instrument is working correctly). Immediately observe the lower right corner of the display for error messages. If the message ERR 499 CAL UNLK appears (before errors ERR 561, 562 and 565), the cal oscillator is unable to phase-lock. Expect to see the ERR 499 message for only about 1 second.
2. If the spectrum analyzer registers an unlocked cal oscillator, continue with step 3 to verify the presence of externally supplied signals.
3. Check A4U811 pin 9 for a 100 kHz TTL-level square wave verifying operation of A4U811, A4Q802, and the 10 MHz input signal from A4J7.
4. Check the +15 V, +5 V and -15 V power supplies, and +10 V reference on the A4 assembly.
5. Check that A4U807 pin 5 (CALOSC-OFF) becomes TTL low (0 V) at the start of a FULL IF ADJ (press (CAL) and FULL IF ADJ ). The phase modulation output at A4U804 pin 8 should also remain at 0 volts. If these checks are correct, troubleshoot blocks V, W, X, and Y. See Figure 8-23, Cal Oscillator Block Diagram.

## Inadequate CAL OSC AMPTD Range

Refer to function block AC of A4 Calibration Oscillator Schematic Diagram in the *HP 8560A/61B/63A Spectrum Analyzer Component Level Information* binder.

1. If A4R826, CAL OSC AMPTD, has inadequate range to perform the IF Amplitude Adjustment, press **CAL**.
2. Rotate A4R826 fully clockwise and disconnect W52 (coax 9) from A5J4.
3. Connect A5J4 to the input of a second spectrum analyzer.
4. Set the other spectrum analyzer controls as follows:

Center Frequency	10.7 MHz
Reference Level	-30 dBm
5. Observe the spectrum analyzer display while pressing FULL IF ADJ . The signal level should be above -34.55 dBm. If the signal level is incorrect, continue with step 7.
6. Rotate A4R826 fully counterclockwise. The signal should be below -36.25 dBm. If the signal level is correct at both settings, troubleshoot the A5 IF assembly. If the signal level is incorrect, continue with step 7.
7. Troubleshoot the ALC loop on this assembly using the following steps:
  - a. Connect a positive DVM probe to A4J9 pin 4.
  - b. On the spectrum analyzer press **CAL**.
  - c. Press FULL IF ADJ . Observe the DVM reading between the displayed messages IF ADJUST STATUS: 300 kHz RBW and IF ADJUST STATUS: 3 kHz RBW. During this time period, the voltage should be within a 2 to 10 Vdc range.
  - d. Observe the DVM reading while IF ADJUST STATUS: AMPLITUDE is displayed. The reading should be within the 2 to 10 Vdc range.

- e. If the DVM reading is outside the range in step c but inside the range in step d, suspect one of the filter-reactive components.
- 8. If the ALC loop is working correctly (A4J9 pin 4 within the test tolerances given), then either the output attenuator is defective, or A4U810 pin 6 (in ALC loop integrator) is outside of its +3 to +6 Vdc range.
- 9. Reconnect W52 (coax 9) to A5J4.

### 300 Hz to 3 kHz Resolution Bandwidth Out of Specification

- 1. If the 3 dB bandwidth of one of these filters is incorrect, suspect a failure of one of the five available sweeps from A4 Cal Oscillators sweep generator (function block Z). These sweeps are generated by changing the switch settings of A4U803 which routes signals through A4U802 and A4U804.
- 2. Disconnect W52 (coax 9) from A4J8.
- 3. Connect the source connection of a 3 dB power splitter (Minicircuits Model: ZSC J-2-1) to A4J8. Connect one output of the power splitter to the input of an HP 8566A/B Spectrum Analyzer. Connect the other output of the power splitter to cable W52 (coax 9).

---

#### Note

If a 3 dB power splitter is not available, an SMB tee and an active probe may be substituted. Connect the active probe between the tee and the other spectrum analyzer. The absolute power levels are approximately 3 dB higher than those stated below, due to the elimination of the 3 dB power splitter.

---

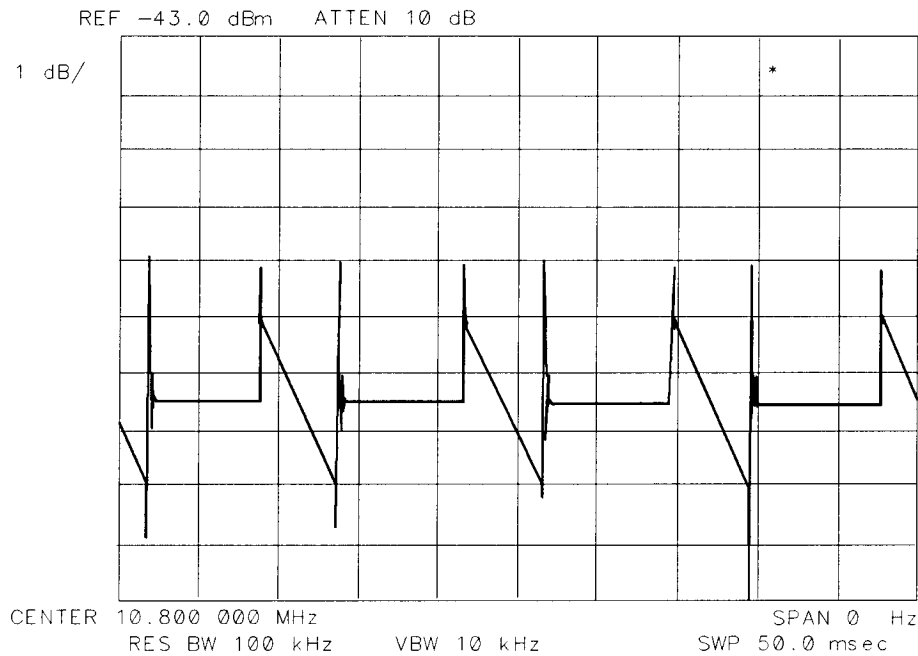
- 4. Press **INSTR PRESET** on the HP 8566A/B and set the controls as follows:

CENTER FREQUENCY .....	10.8 MHz
SPAN .....	0 Hz
REFERENCE LEVEL .....	-43 dBm
RESOLUTION BANDWIDTH .....	100 kHz
VIDEO BW .....	10 kHz
SWEEP TIME .....	50ms
SCALE .....	1 dB/DIV
SWEEP .....	SINGLE

- 5. On the spectrum analyzer, press (**PRESET**), (**CAL**).
- 6. Press FULL IF ADJ . When the display reads ADJUSTING IF: 10 kHz RBW, press **SINGLE** on the HP 8566A/B.
- 7. The HP 8566A/B screen illustrates frequency versus time of the A4 Cal Oscillator's output sweeps. See Figure 8-16. The slope of the HP 8566A/B 100 kHz resolution bandwidth is used to detect frequency changes. Sweeps that vary (greater than 30%) from the normal levels, trigger error code 581 or 582.
- 8. Press FULL IF ADJ . When the display reads ADJUSTING IF: 3 kHz, press **SINGLE** on the HP 8566A/B.
- 9. Figure 8-17 illustrates normal operation. Severe failures (slope error greater than 30%) and subtle 3 kHz resolution bandwidth errors (less than 30%) indicate a problem with A4U802, A4U803, A4U804, or A4U106.

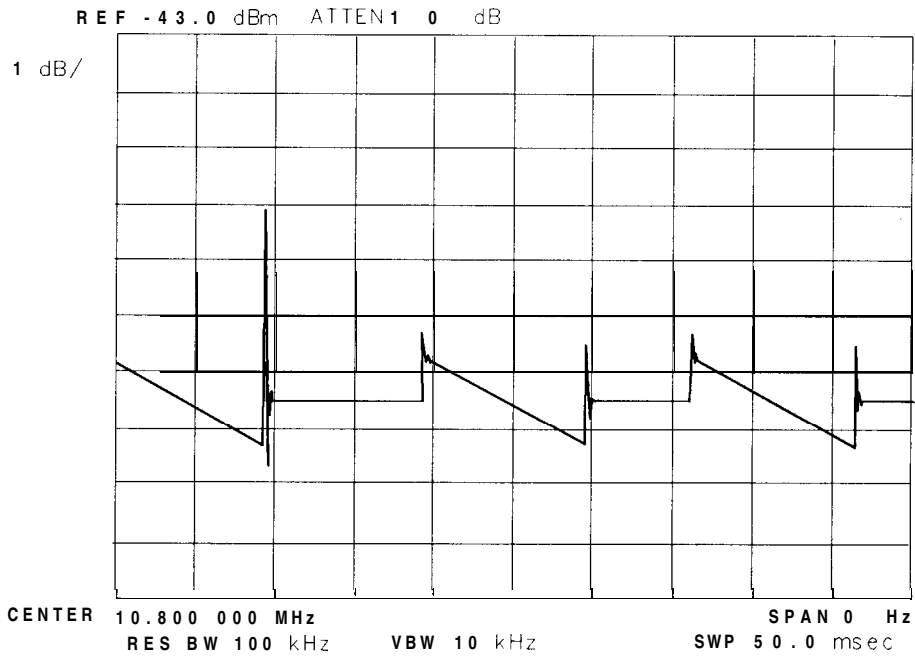
10. Severe failure of the bandwidth accompanied by subtle errors in the output signal indicate an A5 failure.
11. Set the HP 8566A/B controls as follows:
 

RESOLUTION BANDWIDTH .....	10 kHz
VIDEO BW .....	1 kHz
SWEEP TIME .....	200 ms
12. On the spectrum analyzer, press **FULL IF ADJ**. When the message **IF ADJUST STATUS: 1 kHz RBW** appears, press **(SINGLE)** on the HP 8566A/B.
13. Figure 8-18 illustrates normal operation. Severe failures (slope error greater than 30%) and subtle 3 kHz resolution bandwidth errors (less than 30%) indicate a problem with A4U802, U803, U804, or U106.
14. On the spectrum analyzer, press **FULL IF ADJ**. When the message **IF ADJUST STATUS: 300 Hz RBW** appears, press **(SINGLE)** on the HP 8566A/B.
15. Figure 8-19 illustrates normal operation. Severe failures (slope error >30%) and 3 kHz resolution bandwidth errors (less than 30%) indicate a problem with A4U802, U803, U804, or U106.
16. Reconnect W52 (white) to A4J8.



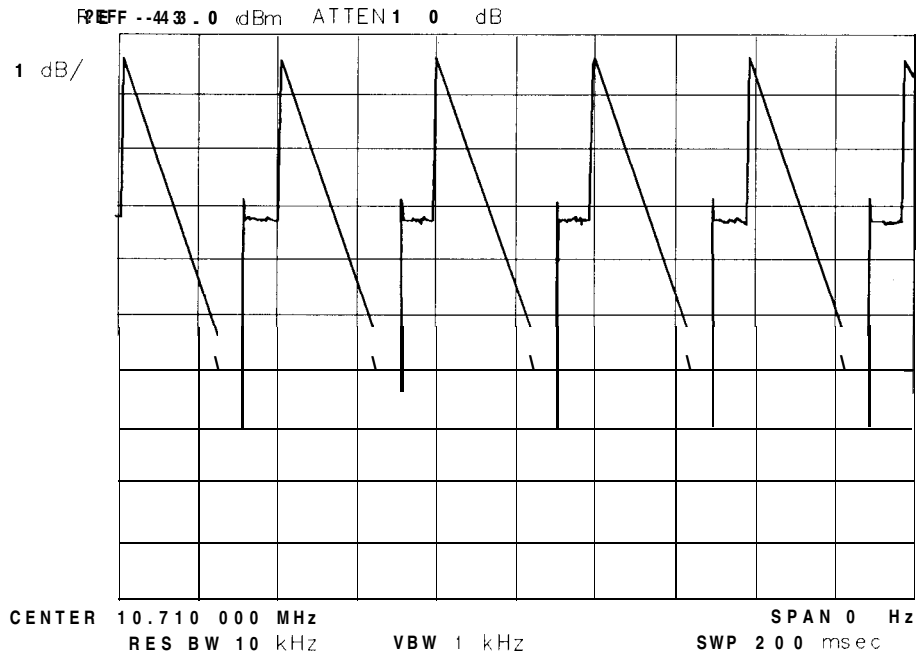
SK185

**Figure 8-16. Output Waveform, 10 kHz Resolution Bandwidth**



SK186

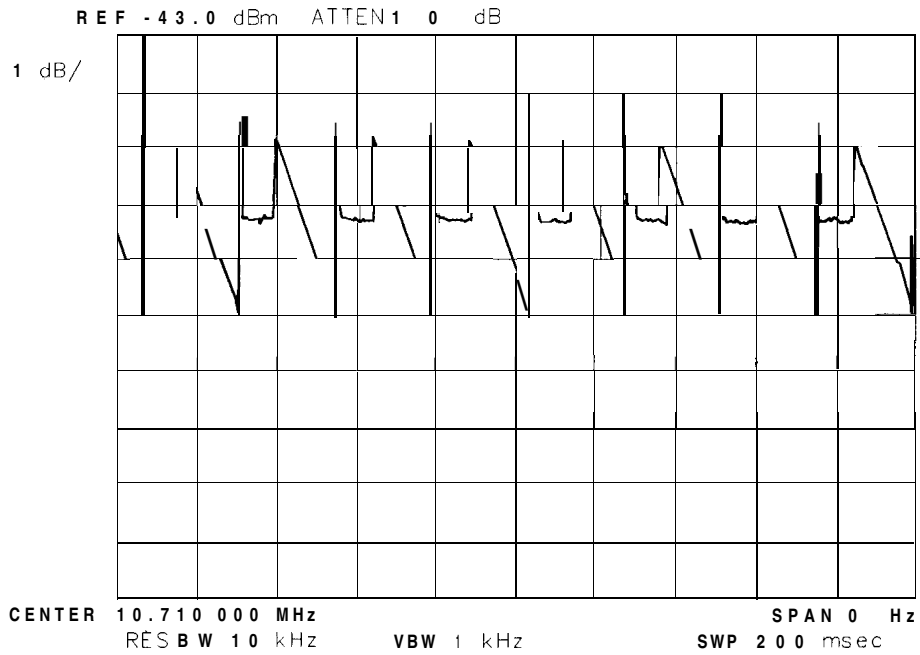
Figure 8-17. Output Waveform, 3 kHz Resolution Bandwidth



SK187

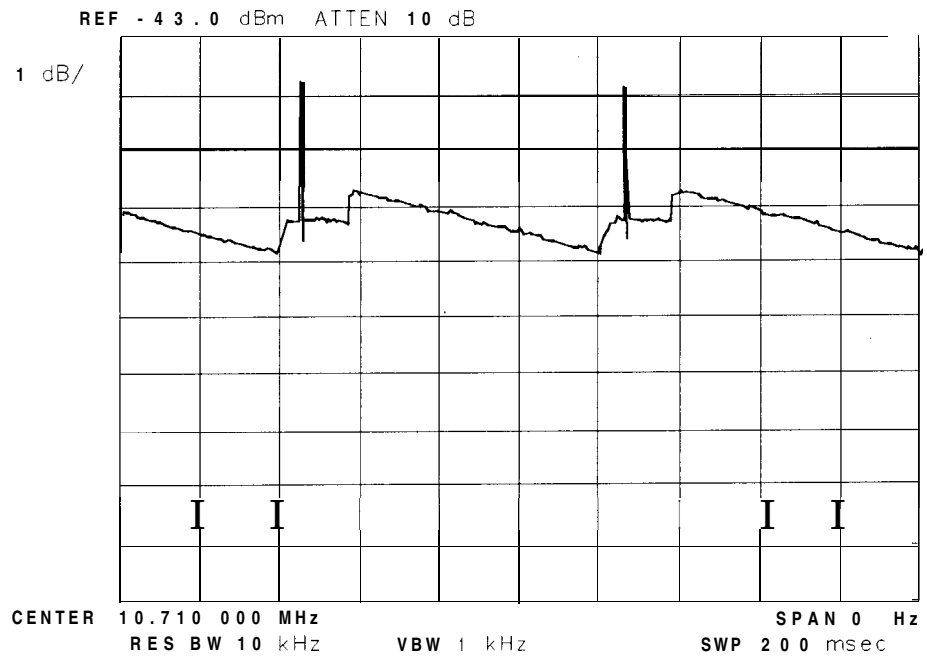
Figure 8-18. Output Waveform, 1 kHz Resolution Bandwidth





SK188

Figure 8-19. Output Waveform, 300 Hz Resolution Bandwidth



SK189

Figure 8-20. Failed Crystal Set Symptoms

## Low-Pass Filter

Refer to function block AB of A4 Cal Oscillator Schematic Diagram in the *HP 8560A/61B/63A Spectrum Analyzer Component Level Information* binder.

1. Connect a DVM positive probe to A4J9 pin 4.
2. On the spectrum analyzer, press **CAL**.
3. Press FULL IF ADJUST. Observe the DVM reading between the displayed messages IF ADJUST STATUS: 300 kHz RBW and IF ADJUST STATUS: 3 kHz RBW. During this time period, the voltage should be within a 2 to 10 Vdc range.
4. Observe the DVM reading while IF ADJUST STATUS: AMPLITUDE is displayed. The reading should be within the 2 to 10 Vdc range.
5. If the DVM reading is outside the range in step 3 but inside the range in step 4, suspect one of the filter reactive components.

## Sweep Generator

Refer to function block Z of A4 Cal Oscillator Schematic Diagram in the *HP 8560A/61B/63A Spectrum Analyzer Component Level Information* binder.

A properly operating sweep generator generates a series of negative-going parabolas. Before the sweep, switches A4U802C and A4U802D turn on, shorting A4C801 and A4C802 (the output is at 0 volts). These switches open to start the sweep. The output of A4U804A, pin 1, is 0.35 V to 10 V, depending on the sweep width selected by A4U802A and A4U803A. This voltage appears across A4R801. Capacitor A4C801 integrates the current through A4R801. The output of A4U804B is a straight, negative-going ramp. Capacitor A4C802 and resistor A4R802 integrate the output of A4U804A which starts a negative ramp (A4U804C) at the beginning of the sweep. The ramp from A4U804B is added to the current in A4R802 via A4U803B. Integrating this ramp results in the parabolic output waveform.

## AM/FM Demodulation, Audio Amplifier, and Speaker

Refer to function blocks R, S, and T of A4 Cal Oscillator Schematic (sheet 4 of 4) Diagram in the *HP 8560A/61 B/63A Spectrum Analyzer Component Level Information* binder.

If the audio circuits are not functioning use the following procedure to isolate the problem.

1. Set an AM signal generator controls as follows:

Frequency .....	100 MHz
Amplitude .....	-6 dBm
Modulation Type .....	80% AM
Modulation Frequency .....	400 Hz

2. Set the spectrum analyzer controls as follows:

CENTER FREQ .....	100 MHz
SPAN .....	0 Hz
SWEEP TIME .....	50ms
REF LVL .....	.0 dBm
RES BW .....	10 kHz
SCALE .....	..LINEAR

3. Adjust the spectrum analyzer reference level and center frequency to display the 400 Hz modulation frequency eight divisions peak-to-peak.
4. On the spectrum analyzer press **AUX CTRL**, **AM/FM DEMOD** , **AM DEMOD ON**, and set the sweep time to 5 seconds.
5. Vary the volume and listen for the variation in speaker output level. Clipping is normal on the highest settings.
6. If the audio is not working correctly monitor the signal at A4U704 pin 3 with an oscilloscope. The signal should be 190 mV rms  $\pm 25\%$  (with +5 V of dc bias). If the signal measures outside these limits, the fault is prior to the audio amplifier (block T)
7. If the signal is correct, troubleshoot the audio amplifier and speaker.

8-42 IF Section

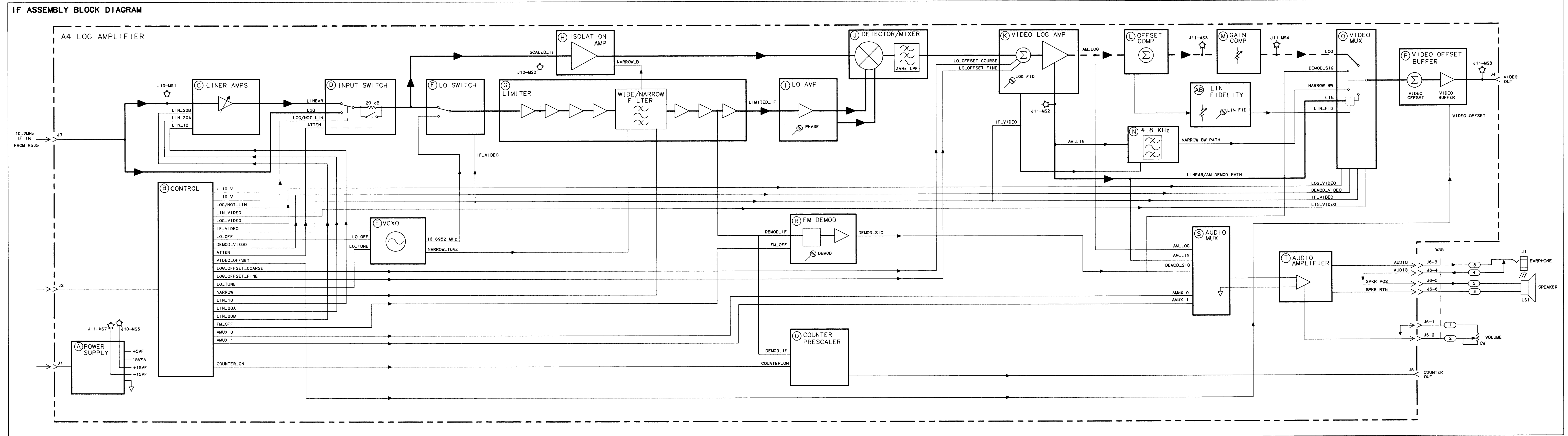
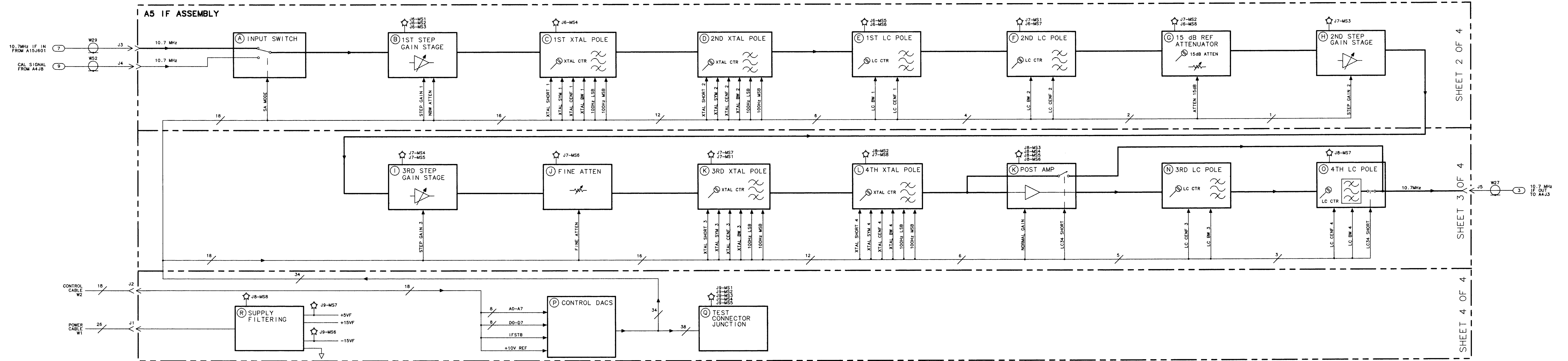


FIGURE 8-21. A4 LOG AMPLIFIER BLOCK DIAGRAM

IF ASSEMBLY BLOCK DIAGRAM



CAL OSCILLATOR BLOCK DIAGRAM

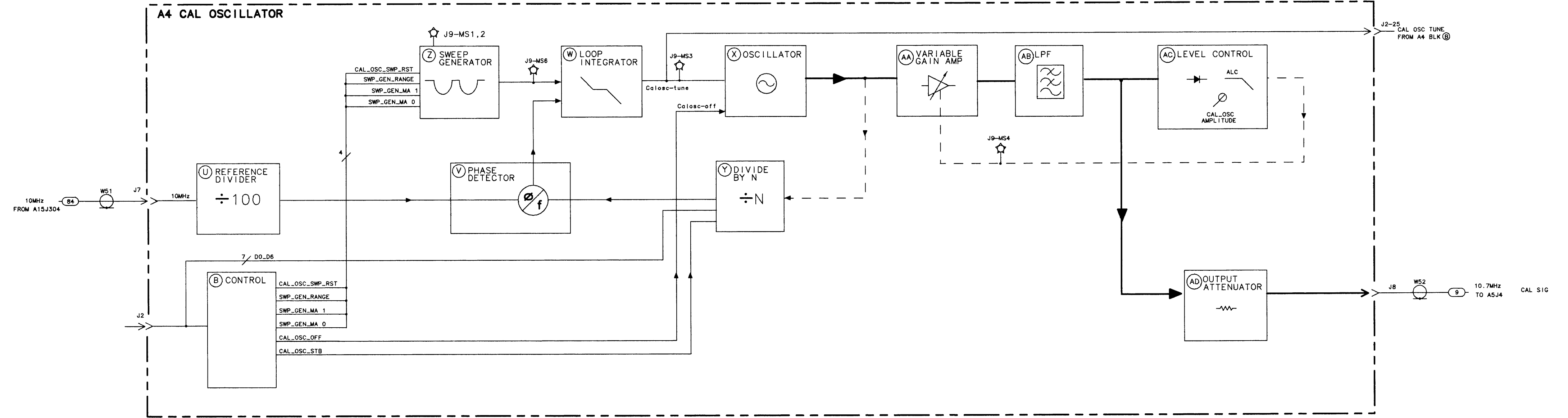


FIGURE 8-23. CAL OSCILLATOR BLOCK DIAGRAM

## Controller Section

---

The Controller Section includes the A2 Controller Assembly, A19 HP-IB Assembly, and BT1 Battery. The presence of a display (graticule and annotation) verifies that most of A2 Controller Assembly is operating properly.

Troubleshooting Using the TAM .....	9-1
Blank Display .....	9-2
Digital Signature Analysis (DSA) .....	9-4
Display Problems .....	9-4
Line Generators .....	9-4
Blanking .....	9-5
Display Jumbled or Trace Off Screen .....	9-7
Intensity .....	9-10
Bad Characters or Graticule .....	9-10
Long Lines Dimmer Than Short Lines .....	9-11
Analog Zero-Span Problems .....	9-12
Frequency-Count Marker Problems .....	9-13
Frequency Counter .....	9-14
State- and Trace-Storage Problems .....	9-15
Keyboard Problems .....	9-16

---

**Note**           When measuring voltages or waveforms, make ground connections to A2TP3. The metal board-standoffs are not grounded and should not be used when taking measurements.

---

### Troubleshooting Using the TAM

Table 9-1 lists assembly test connectors associated with each Manual Probe Troubleshooting test. Figure 9-1 illustrates the location of A2's test connectors.



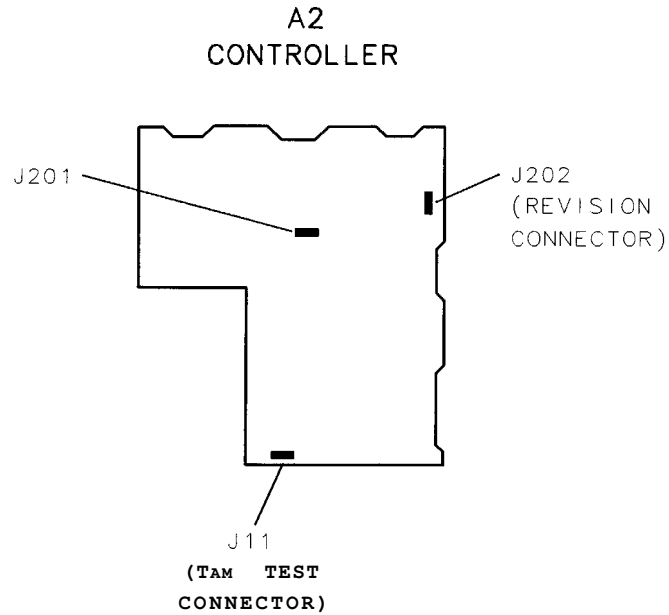
**Table 9-1. TAM Tests Versus Test Connectors**

<b>Connector</b>	<b>Manual Probe Troubleshooting Test</b>	<b>Measured Signal Lines</b>
A2J11	ADC/MUX Test DAC Test	MS1, MS3 through MS6, MS8 MS2, MS7, OS1
A2J201	10 Volt Reference Test Switch Drive Test Buffered X & Y DAC Outputs X Line Gen Test Y Line Gen Test Intensity Offset Output	MS4 MS8 MS2, MS7 MS6 MS1 MS3
A2J202	Revision X, Y, & Z Output Offset X Output Amplifier Y Output Amplifier Blanking Test Focus DAC Test	MS1 MS3, MS4, MS7 MS3 MS7 MS8 MS2

## Blank Display

Use the following procedure if the instrument's display is blank. This procedure substitutes an HP-IB printer for the display.

1. Connect the printer to the HP 8560A and set the printer's address to the value required by the TAM. This is usually 1.
2. All of the power-supply indicator LEDs along the edge of the A2 Controller assembly should be lit.
3. The rear-panel CRT +110 VDC ON indicator might not be lit, even if +110 V is present.
4. Connect the TAM's probe cable to A2J11.
5. Press **MODULE**, **SOFT KEY #3**, **STEP DOWN**, **SOFT KEY #1**. (The top soft key is #1.)
6. The yellow LED next to A2J11 should blink approximately ten times. If the LED fails to blink correctly, troubleshoot the digital section of the A2 Controller assembly.
7. Move the probe cable to A2J202. Press **SOFT KEY #1** and wait five seconds.
8. Press **SOFT KEY #4**. The results should be sent to the printer.
9. Move the probe cable to A2J201, press **SOFT KEY #1** and wait five seconds.



**Figure 9-1. A2 Test Connectors**

10. Press **SOFT KEY #4** . The results will be sent to the printer.
11. If a failure is indicated in any of these tests, the fault lies on the A2 Controller assembly. To obtain more information:
  - a. Press the down arrow key one less time than the test number. (For example, press it twice for the third test on the list.)
  - b. Press **SOFT KEY #3** , then **SOFT KEY #4** , and when the printout is complete, **SOFT KEY #6** .
12. If no failures were indicated in testing the A2 Controller, move the probe cable to A17J4.
13. Press **SOFT KEY #1** and wait five seconds.
14. Press **SOFT KEY #4** . The results will be sent to the printer.
15. If no failure is indicated in the printout, refer to “High Voltage Supplies” in Chapter 12.

---

## Digital Signature Analysis (DSA)

Digital Signature Analysis (DSA) places microprocessor, A2U1, in a simplified known state. This simplified state consists of placing a one-word instruction, MOVE QUICK, (0111 XX10XXXXXX0) on the data bus. The microprocessor cycles through its address range continually reading the instruction. Perform the following DSA procedure to test the operation of microprocessor, A2U1:

1. Set the HP 8560A's LINE switch off.
2. Move the DSA jumper (located in the middle of the A2 assembly) from connecting E6 and E7 to connecting E5 and E6.
3. Remove jumper A2E1. A2E1 is a 16 pin dual-in-line package located in the middle of the A2 Assembly. Set the HP 8560A's LINE switch on.
4. Use an oscilloscope to confirm that address lines, address strobe, and chip selects are toggling at proper levels.
5. Use an oscilloscope to check the address line sequencing. The signal on each line (starting with A1 and ending with A23) should be one-half the frequency of the previous line.
6. If step 4 reveals problems, microprocessor A2U1 is probably faulty.
7. Set the HP 8560A's LINE switch off. Replace jumper A2E1. Move the DSA jumper from connecting E5 and E6 to connecting E6 and E7.

---

## Display Problems

### Line Generators

See function blocks D and I of A2 Controller Schematic Diagram (sheet 1 of 4) in the Component-Level Information binder.

The line generators convert the digital display information to an analog output suitable to drive the A17 CRT Driver assembly. These circuits change the digital words into vectors, or lines, which move the beam of the CRT. The vectors are each 6  $\mu$ s long (width of the INTEGRATE pulse) followed by a 1  $\mu$ s SAMPLE pulse. When characters of text are being drawn, the vectors are 3  $\mu$ s long.

1. On the HP 8560A press **PRESET**.
2. On the HP 8560A, press **CAL** MORE CRT ADJ PATTERN. If the display is blank, press the third soft key.
3. Set an oscilloscope to the following settings:  
Amplitude scale .....3 V/div  
Sweep time ..... 1 ms/div  
Triggering .....External
4. Externally trigger the oscilloscope off the signal at A2U207 pin 8 (LBRIGHT).

5. Compare the signals at the following test points with those illustrated in Figure 9-2.

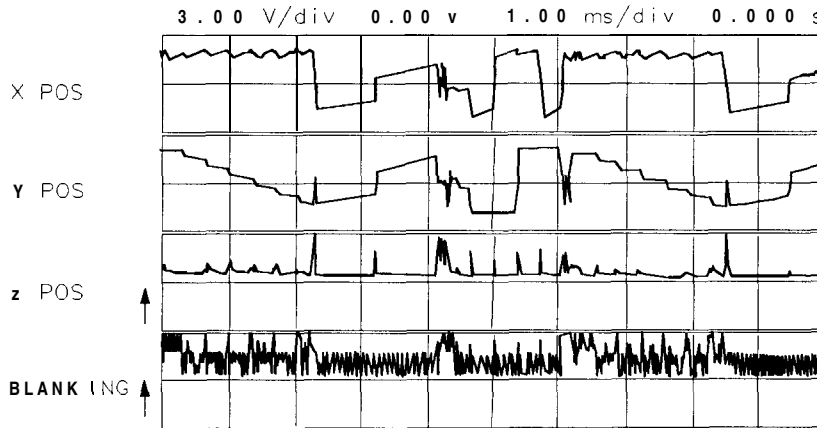
- X POS: A2J202 pin 14
- Y POS: A2J202 pin 3
- Z OUT: A2J201 pin 3
- BLANKING: A2J202 pin 15

---

**Note** Waveforms displayed on an analog scope may show considerably more spikes. This is normal and is due to the wider displayed bandwidth.

---

6. Troubleshoot the circuits associated with any bad waveforms.



SK191

**Figure 9-2. Line Generator Output Waveforms**

## Blanking

See function block J of A2 Controller Schematic Diagram (sheet 1 of 4) in the Component-Level Information binder.

1. Using an oscilloscope, check for blanking pulses at A2J202 pin 15. A2U206 pin 6 should be at a TTL high. Blanking pulses turn the CRT beam off during the sample time of the line generators and when moving the CRT beam to a new position for drawing the next vector.

2. Set an oscilloscope to the following settings:

- Amplitude Scale . . . . . 4 V/div
- Amplitude Offset . . . . . +2.5 V
- Sweep Time . . . . . 20  $\mu$ s/div
- Triggering . . . . . External

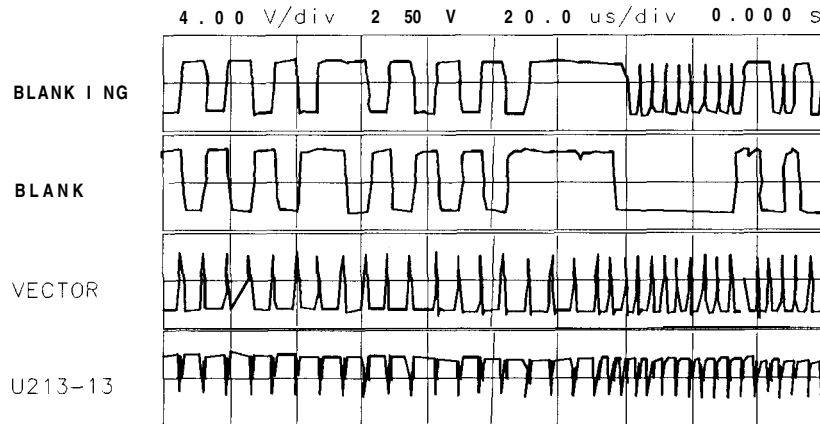
3. Externally trigger the oscilloscope off the signal at A2U207 pin 8 (LBRIGHT).

- Compare the blanking-circuit input signals at the following test points with those illustrated in Figure 9-3.

BLANKING: J202 pin 15  
 BLANK: U214 pin 12  
 VECTOR: U214 pin 11  
 U213 pin 13

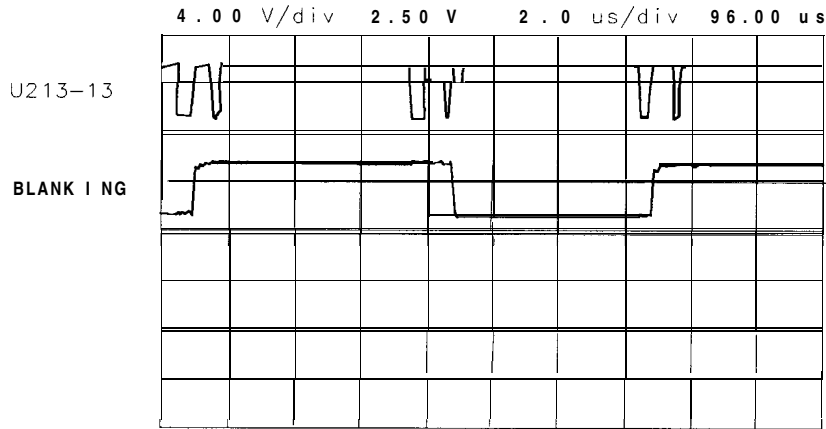
- The waveforms in Figure 9-3 must match the timing of the vectors being drawn. To do this, U215B is used to adjust the leading edge, and U215A is used to adjust the trailing edge. The first six horizontal divisions show the line drawing mode where the VECTOR pulses are 6  $\mu\text{s}$  apart. The remaining divisions shows character mode (VECTOR pulses 3  $\mu\text{s}$  apart). The BLANK pulses are synchronized to the VECTOR pulses by U214B. The fourth trace shows the double pulses which delay the leading and trailing edges of the blanking pulses.
- Set the oscilloscope to the following settings to expand the first and fourth traces. This displays how the rising edges of U213-13 determine the transitions of the blanking pulses. See Figure 9-4.

Amplitude Scale ..... 4 V/div  
 Amplitude Offset ..... \$2.5 V  
 Sweep Time ..... 2  $\mu\text{s}/\text{div}$   
 Delay from Trigger ..... 96  $\mu\text{s}$   
 Triggering ..... External



SK192

Figure 9-3. Blanking Waveforms



SK193

**Figure 9-4. Expanded Blanking Waveforms**

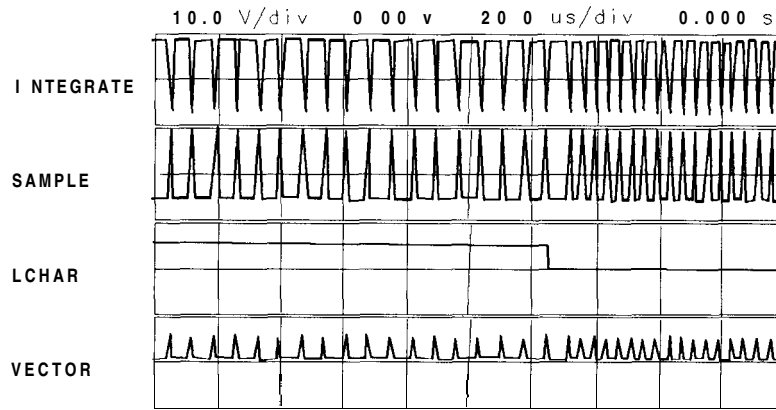
## Display Jumbled or Trace Off Screen

See function blocks D and I of A2 Controller Schematic Diagram (sheet 1 of 4) in the Component-Level Information binder.

The two line generators are identical circuits, so the following steps apply to both; references will be to the X generator with Y references in parentheses).

1. The voltage at A2U202B pin 7 should measure 10.0 V.
2. Perform steps 1 through 5 of “Line Generators” in this chapter. If the X POS and Y POS waveforms look different from those illustrated in Figure 9-2, check the waveforms at the low-pass filter’s input (function block E).
3. The waveform at the low-pass filter should look like X POS in Figure 9-2 but have an amplitude from 0 V to +5 V.
4. If the waveform in step 3 is incorrect, set an oscilloscope to the following settings:
  - Amplitude Scale . . . . . 10 V/div
  - Sweep Time . . . . . 20  $\mu$ s/div
  - Triggering . . . . . External
5. Trigger the oscilloscope on the signal at U207 pin 8 (LBRIGHT).
6. Compare the line-generator input signals at the following test points with those illustrated in Figure 9-5. INTEGRATE and SAMPLE waveforms are replicas of VECTOR except for polarity and amplitude. LCHAR is low when characters are drawn.

INTEGRATE: Q202’s collector  
 SAMPLE: Q201’s collector  
 LCHAR: U207 pin 9  
 VECTOR: U213 Pin 9



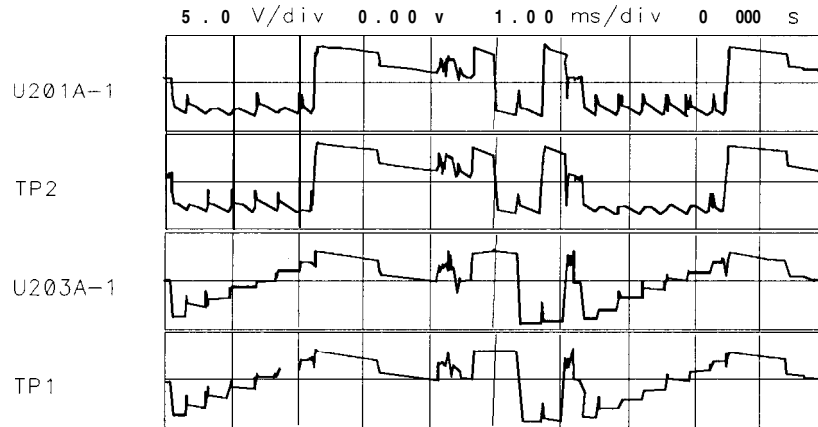
SK 194

**Figure 9-5. Switch Driver Waveform LCHAR**

7. All of the DAC inputs should change state two or more times within a 5 ms window. If one or more DAC bits are not working correctly, this will effect the entire display, but especially in the diagonal lines that go from lower left to upper right. When these lines are drawn, both the X and Y DACs are stepped one count at a time. A “stuck” bit will distort the diagonal in a repetitive manner. The quicker the repetition, the less significant the “stuck” bit. Horizontal distortions apply to the X LINE GENERATOR DAC, while vertical distortions apply to the Y LINE GENERATOR DAC. The DACS have current outputs so they are not readily observable with an oscilloscope. Continue with step 8 to observe the DAC outputs.
8. To break the effect of feedback in the line generators and to observe the output of the DACs, short J201 pin 1 to TP3 to observe U203 pin 1 and TP1. Continue with step 9.
9. Set an oscilloscope to the following settings:
  - Amplitude Scale . . . . . 5 V/div
  - Sweep Time . . . . . 1 ms/div
  - Coupling . . . . . AC
  - Triggering . . . . . External
10. Trigger the oscilloscope on the signal at U207 pin 8 (LBRIGHT).
11. The following waveforms should look like Figure 9-6 on the oscilloscope. The top two traces are for the X Line Generator and the bottom two traces for the Y Line Generator.
  - X Line Generator
    - U201 pin 1
    - TP2
  - Y Line Generator
    - U203 pin 1
    - TP1
12. Figure 9-7 illustrates the waveforms in step 11 expanded to show relative timing. the second and fourth traces are delayed by 5 ms from the first and third. The oscilloscope settings are changed as follows:

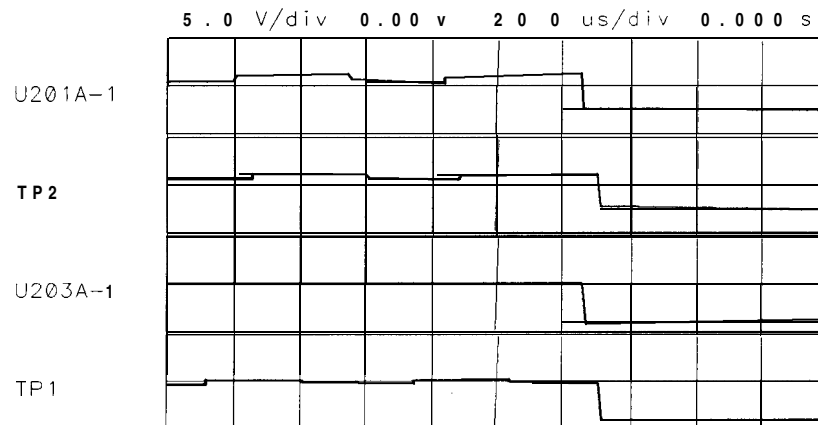
Sweep Time . . . . . 20  $\mu$ s/div

13. Figure 9-8 illustrates the waveforms of properly working line generators. Whenever there is a pulse on TP1 or TP2, the appropriate integrator (U201B or U203B) generates a ramp (the output vector) which feeds back to U201A (U203A) and shows on its output.



SK195

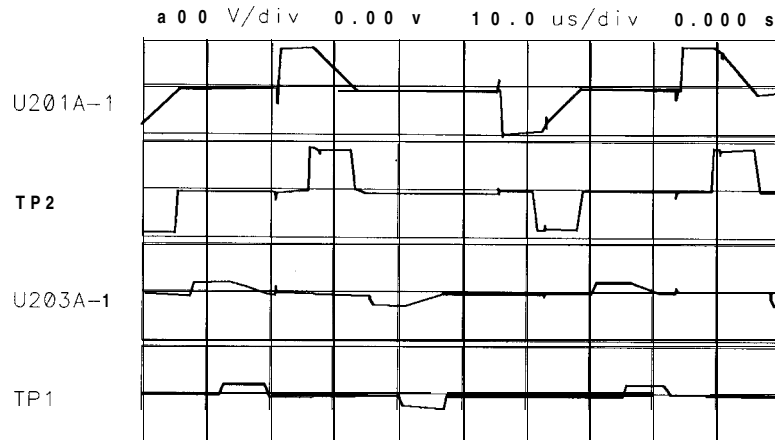
Figure 9-6. Distorted X/Y Line Generator Waveforms



SK196

Figure 9-7. Expanded X/Y Line Generator Waveforms





SK197

**Figure 9-8. Normal X/Y Line Generator Waveforms**

## Intensity

1. The length of the vector being drawn can effect intensity (U210A, U210C, and U210D). Refer to “Long Lines Dimmer Than Short Lines” in this chapter.
2. Short A2U207 pin 2 to pin 7. If the display does not brighten, troubleshoot LBRIGHT switch, U207B. This switch intensifies trace A and active softkeys.
3. Short A2U207 pin 2 to pin 3. If the display does not darken, troubleshoot DEF1 switch, U207A. This switch is used in analog zero-span.
4. Change the intensity (under [DISPLAY]). If the intensity does not change, troubleshoot the intensity DAC, A2U212A. (A2U212A is controlled from the front panel.) The amplitude of the waveform at U211A pin 1 should increase or decrease with intensity changes.
5. Clamp U211B limits the voltage to about 4.2 V. Short A2J201-1 to ground and set the intensity DAC to a number greater than 80. A major portion of the waveform should be limited to 4.2 V.
6. Troubleshoot the maximum brightness clamp, A2U211C.

## Bad Characters or Graticule

If the displayed characters are bad but the graticule is correct (or if the symptoms are reversed), troubleshoot the X- and Y- generator switches A2U207D and A2U207C. Check that the switch driver signal LCHAR is working properly. Refer to “Display Jumbled or Trace Off Screen” in this chapter.

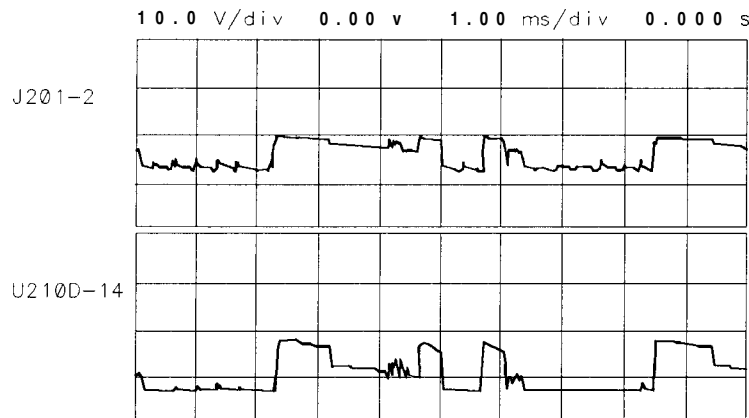
## Long Lines Dimmer Than Short Lines

See function block M of A2 Controller Schematic Diagram (sheet 1 of 4) in the *HP 8560A/61B/63A Spectrum Analyzer Component Level Information*.

The Z Output function block contains the absolute value circuits which determine the intensity of vectors drawn on the display. The vector length is approximated by the sum of the X length and Y length. The voltage corresponding to the X length, AX, is converted to current by R274. If the voltage is negative, it is amplified by 2 in A2U210C, converted to current by A2R246, and added to the current from A2R274. This effectively turns both negative and positive voltages into positive currents, hence absolute value.

1. Short A2J201 pin 13 to ground (A2TP3).
2. Connect channel A of an oscilloscope to A2J201 pin 2. Connect channel B to A2U210D-14.
3. Set an oscilloscope to the following settings:

Amplitude scale	.....	10 V/div
Sweep time	.....	1 ms/div
Triggering	.....	External
4. Externally trigger the oscilloscope off the signal at A2U207 pin 8 (LBRIGHT).
5. The waveforms should look like those illustrated in Figure 9-9. If the waveform at J201 pin 2 is bad, troubleshoot the X Line Generator (function block D of the A2 Controller Schematic, sheet 1 of 4 in the *HP 8560A/61B/63A Spectrum Analyzer Component Level Information* binder.)
6. If the waveform at U210D pin 14 is bad, troubleshoot the Z Output circuit (function block M of A2 Controller Schematic, sheet 1 of 4 in the Component-Level Information binder).
7. Remove the short from J201 pin 13 to ground. Short A2J201 pin 1 to ground.

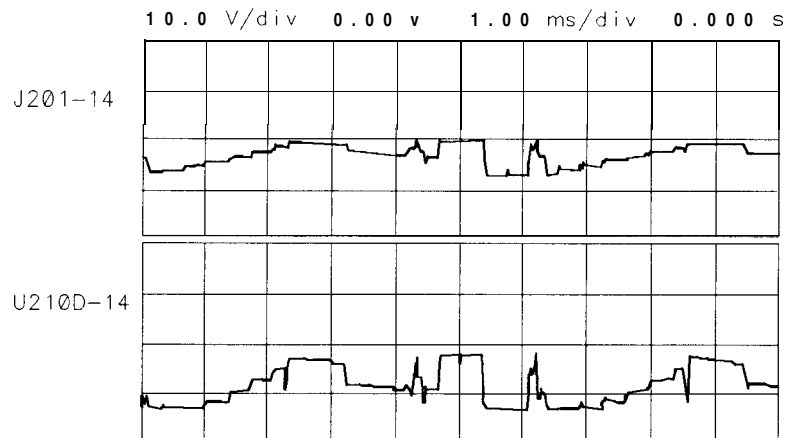


SK198

**Figure 9-9. Delta X Waveform**

8. Move the oscilloscope's channel A probe to 5201 pin 14.

9. The waveforms should look like those illustrated in Figure 9-10. If the waveform at J201 pin 14 is bad, troubleshoot the Y Line Generator (function block I of A2 Controller Schematic, sheet 1 of 4 in the Component-Level Information binder).
10. If the waveform at U210D pin 14 is bad, troubleshoot the Z Output circuit (function block M of A2 Controller Schematic, sheet 1 of 4).
11. Remove the jumpers.



SK199

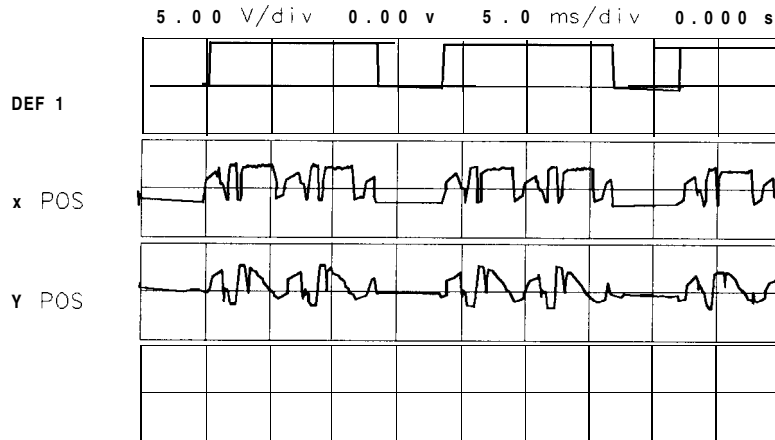
Figure 9-10. Delta Y Waveform

## Analog Zero-Span Problems

1. On the HP 8560A press **PRESET**, **SPAN**, **ZERO SPAN**, (SWEEP), **1**, **ms**, (CAL), MORE, and CRT ADJ PATTERN.
2. Set an oscilloscope to the following settings:
 

Amplitude scale	.....	10 V/div
Sweep time	.....	1 ms/div
Triggering	.....	External
3. Externally trigger the oscilloscope off the signal at A2U207 pin 8 (LBRIGHT).
4. The display should be similar to Figure 9-11 except that the untriggered trace should show at the left edge of the screen. In these settings, DEF1 causes switching between the line generators and the analog inputs (sweep and video). DEF1 remains high when the CRT adjust pattern is on. Refer to function block M of the A2 Controller Schematic, sheet 1 of 4 in the *HP 8560A/61B/63A Spectrum Analyzer Component Level Information* binder.
5. The sweep input from J1-41 should go from 0 V to +10 V; the Video In signal should go from about 0 V to 1 V from the bottom to the top of the screen. Apply a dc voltage to A2J4, Video In, to test the circuit.

6. In Figure 9-11, there is no synchronization between DEF1 and the video patterns X POS and Y POS when DEF1 is TTL high. The Y POS level when DEF1 is low is the Video In level.



SK1 100

Figure 9-11. DEF1 Synchronization

## Frequency-Count Marker Problems

The **FREQ COUNT** function works by dividing the 10.7 MHz IF signal by two (prescaling) and counting the divided-down signal using the frequency counter on the A2 Controller assembly (block Z of the A2 Schematic Diagram). The prescaler is on the A4 Log Amplifier/Cal Oscillator assembly (block Q of the A4 Schematic Diagram). Perform the following steps to determine whether the problem is on the A4 Log Amplifier/Cal Oscillator or A2 Controller assembly:

1. Disconnect W53 from A2J7.
2. Connect the output of a synthesized source, such as an HP 3335A, to A2J7.
3. Set the synthesized source to the following settings:
 

Amplitude	.....	+10 dBm
Frequency	.....	5.35 MHz
4. Set the HP 8560A to the following settings:
 

CENTER FREQ	.....	300 MHz
SPAN	.....	1 MHz
5. On the HP 8560A press **FREQ COUNT**. The frequency counter actually reads one half the frequency of the 10.7 MHz IF. If the CNT frequency display reads all asterisks, the frequency counter is probably at fault.
6. If a valid frequency is displayed, troubleshoot the prescaler on the A4 Log Amplifier/Cal Oscillator assembly.
7. Reconnect W53 to A2J7.

---

## Frequency Counter

See function block Z of A2 Controller Schematic Diagram (sheet 4 of 4) in the Component-Level Information binder.

The frequency counter counts the frequency of the last IF and provides accurate timing signals for digital zero-spans. The circuit also provides timing signals to the A3 Interface assembly's ADC (Analog to Digital Converter). The nominal input frequency is 5.35 MHz (10.7 MHz divided by 2). The circuit's frequency reference is the 10 MHz reference from the A15 RF assembly.

In the frequency count mode, U702 prescales the 10 MHz reference by 5 to generate, a 2 MHz timebase. This timebase feeds through MUX U704 to programmable-timer U700's CLK2 input. Programmable-timer U700's output (OUT2) is the gating signal (HBKT-PULSE) for performing the frequency count. The gating time interval is a function of the counter resolution which may be set between 10 Hz and 1 MHz. Table 9-2 lists the Gate Time for each setting of COUNTER RES. The gate time is the period during which U511 pin 3 is high.

The FREQ COUNT input, A2J7, is gated in U511B by HBKT-PULSE. The gated signal clocks divide-by-16 counters U703A and U703B. These counters are cascaded to form a divide-by-256 counter. The MSB of this counter, CD7, clocks the CLKO input of U700. The frequency of CD7 is a function of COUNTER RES as shown in Table 9-2. If Timer U700 overflows, OUT0 will be set and U701B clocked, generating CNTOVFLIRQ, which will interrupt the CPU.

If IRQAK2 is high, HBKT\_PULSE will clock U701A, generating FREQCNTLIRQ. Upon receiving the FREQCNTLIRQ interrupt, the CPU latches the CD0 to CD7 onto the BID bus by setting LCDRD (low counter data read) low and reading the counter data from the BID bus. The CPU will also read the data from the timer, U700, by setting L8254CS and LCNTLRD low, placing-the timer data on the BID bus. The CPU resets U701A by setting IRQAK2 low via the BID bus and latch U506.

**Table 9-2. Gate Times**

Counter Res	Gate Time* (U511 pin 3 high state)	A2TP16	A2TP15
10 Hz	200 ms	2 MHz	4.18 kHz
100 Hz	20 ms	2 MHz	418 Hz
1 kHz	2 ms	2 MHz	41.8 Hz
10 kHz	2 ms	2 MHz	41.8 Hz
100 kHz	2 ms	2 MHz	41.8 Hz
1 MHz	2 ms	2 MHz	41.8 Hz

\* TP15 = (FREQ COUNT input x Gate Time)/256

1. Disconnect W22 from A2J8.
2. If a 10 MHz, TTL-level signal is not present at the end of W22 continue with step 3. If a 10 MHz signal is present at W22, proceed as follows:
  - a. Reconnect W22 to A2J8.
  - b. Set the HP 8560A to the following settings:
 

SPAN .....	Zero Span
SWEEP TIME .....	20ms
  - c. Monitor the signal at A2J2 pin 21. This is an output of the frequency counter, HBUCKET PULSE.
  - d. If HBUCKET PULSE is stuck high, troubleshoot the frequency counter.
3. Check for a 10 MHz signal at A15J302. If the signal is not present at A15J302, the A15 RF assembly is probably defective.

---

## State- and Trace-Storage Problems

STATE storage is in the two Program RAMs and TRACE storage is in the two Display RAMs. With low battery voltage, it is normal for STATES and TRACES to be retained if the power is off for less than one minute. If the power is left off for more than thirty minutes with low battery voltage, the stored STATES and TRACES will be lost. The following steps test battery backup:

1. Measure the voltage on W6 at A2J10. If the voltage is less than 2.6 V, check the BT1 battery.
2. If the battery voltage is correct, reconnect W6 to A2J10, set the analyzer's power off and wait five minutes.
3. Measure the voltage at A2U101 pin 28 and A2U102 pin 28.
4. If the voltage is less than 2.0 V dc, the RAM power battery-backup circuitry on the A2 Controller assembly is probably at fault.

---

## Keyboard Problems

If the analyzer does not respond to keys being pressed or the knob being rotated, the fault could be either on the A3 Interface assembly or the A2 Controller assembly. To isolate the A2 Controller assembly, use the following procedure. This procedure tests the analyzer response over HP-IB and the keyboard/RPG interrupt request signal.

1. Enter and run the following BASIC program.

```
10 OUTPUT718;"IP; SP 1 MHz;"
20 WAIT 2 ! Wait 2 seconds
30 OUTPUT 718;"AT 70 DB;"
40 WAIT 2 ! Wait 2 seconds
50 OUTPUT 718;"AT 30 DB;"
60 WAIT 2 ! Wait 2 seconds
70 OUTPUT 718;"AT 10 DB;"
80 END
```

2. When the program runs, three or four clicks should be heard. This is the A9 Input Attenuator changing attenuation value.
3. If the display shows the analyzer to be in RMT and the ATTEN value displayed on the CRT changed according to the program, the A2 Controller assembly is working properly. Refer to Chapter 7, "ADC/Interface."
4. If there was no response over HP-IB, the A2 Controller is probably defective. Be sure to also check the A19 HP-IB assembly and A19W1.
5. If there was an improper response (for example, the displayed ATTEN value changed but no clicks were heard), the A2 Controller is probably working properly.
6. Monitor A2U2 pin 2 with a logic probe for pulses while pressing a key and rotating the knob (RPG). This is the interrupt request signal for the keyboard and RPG.
7. If the interrupt request signal is always low, troubleshoot the A2 Controller assembly.
8. If the interrupt request signal is always high, the fault is on either the A3 Interface or A1A1 Keyboard assembly.

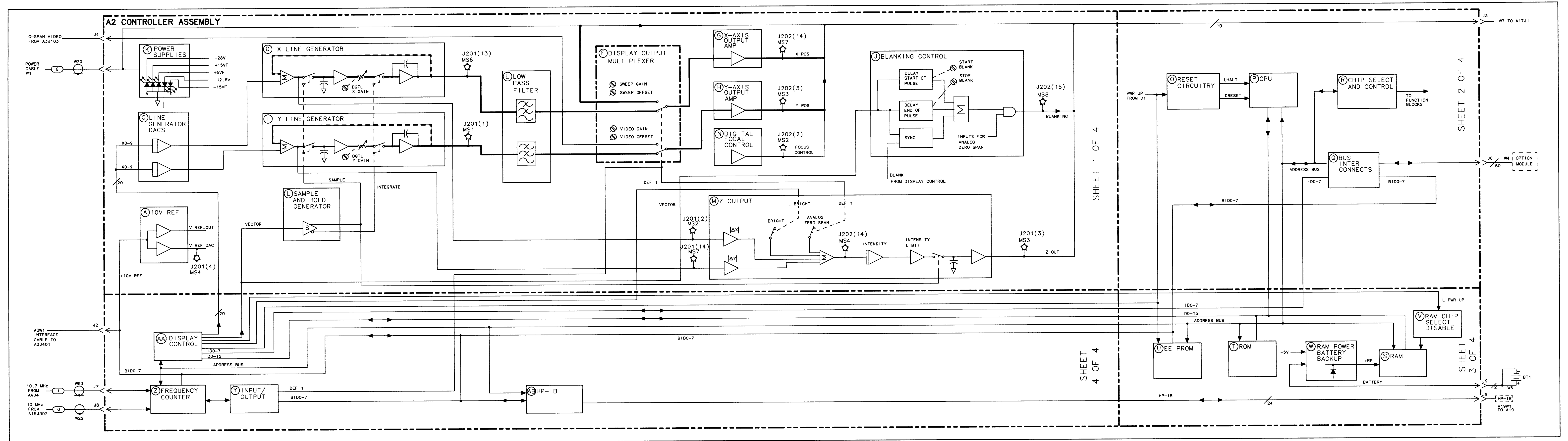


FIGURE 9-12. A2 CONTROLLER BLOCK DIAGRAM



## Synthesizer Section

---

The Synthesizer Section includes the A7 First LO Distribution Amplifier, All YTO, and parts of the A14 Frequency Control and A15 RF assemblies. Simplified and detailed block diagrams for each assembly are located at the end of this chapter.

	Page
Confirming a Faulty Synthesizer Section .....	10-2
Troubleshooting Test Setup .....	10-7
Troubleshooting Using the TAM .....	10-8
General PLL Troubleshooting .....	10-13
PLL Locked at Wrong Frequency .....	10-14
Unlocked PLL .....	10-13
Frequency Span Accuracy Problems .....	10-15
Determining the First LO Span .....	10-15
Confirming Span Problems .....	10-16
YTO Main Coil Span Problems (LO Spans >20 MHz) .....	10-16
YTO FM Coil Span Problems (LO Spans 1.01 MHz to 20 MHz) .....	10-17
Roller Oscillator Span Problems (LO Spans $\leq$ 1 MHz) .....	10-18
First LO Span Problems (All Spans) .....	10-21
Unlocked YTO PLL .....	10-23
Operation .....	10-23
Troubleshooting an Unlocked YTO PLL .....	10-25
Unlocked Roller Oscillator PLL .....	10-32
Operation .....	10-32
Confirming an Unlocked Condition .....	10-32
Offset Oscillator PLL .....	10-33
Transfer Oscillator PLL .....	10-35
Main Oscillator PLL .....	10-37
Unlocked Offset PLL (Sampling Oscillator) .....	10-39
Operation .....	10-39
Troubleshooting .....	10-39
Unlocked Reference PLL .....	10-42
Operation .....	10-42
Troubleshooting .....	10-42
Third LO Driver Amplifier .....	10-44
Sampler and Sampler IF .....	10-45
Sweep Generator Circuit .....	10-47
A21 OCXO (Option 003 only) .....	10-52

---

**Caution** All of the assemblies are extremely sensitive to Electrostatic Discharge (ESD). For further information regarding electrostatic cautions, refer to “Electrostatic Discharge Information” in Chapter 1.

---

---

**Caution**

Using an active probe, such as an HP 85024A, with a spectrum analyzer is recommended for troubleshooting the RF circuitry. If an HP 1120A Active Probe is being used with a spectrum analyzer, such as the HP 8566A/B, HP 8569A/B and the HP 8562A/B, having dc coupled inputs, either set the active probe for an ac coupled output or use a dc blocking capacitor (HP 11240B) between the active probe and the spectrum-analyzer input.

---

---

## Confirming a Faulty Synthesizer Section

The All YTO (the HP 8560A's first LO) is a Yig-Tuned Oscillator which tunes from 2.95 to 6.8107 GHz. The A7 1ST LO Distribution Amplifier (LODA) levels All's output and distributes the signal to the A8 Low Band Mixer, A15A2 Sampler, and the front panel's 1ST LO OUTPUT. The Synthesizer Section includes the following PLLs (Phase Locked **Loops**):

YTO PLL	A7, All, A14 and A15 RF assembly
Offset PLL (Sampling Oscillator PLL)	A15 RF assembly
Roller Oscillator PLL	A14 Frequency Control assembly
Reference PLL	A15 RF assembly

In addition, the A14 assembly's Roller Oscillator PLL is actually comprised of the following three PLLs:

Main Oscillator PLL  
Transfer Oscillator PLL  
Offset Oscillator PLL (This is not the same as A15's Offset PLL)

The Main Oscillator PLL is sometimes swept backwards (higher frequency to lower frequency). This is necessary because of the way in which the Sampler IF signal is produced.

---

**Note**

The Frequency Control board is mostly digitally controlled. If multiple failures appear in unrelated areas of the circuitry, the control may be at fault. Refer to the troubleshooting procedures in this chapter for further help on isolating those failures.

---

---

**Note**

The TAM is unable to test the signal path on the RF board. It tests the circuitry by digitally controlling the hardware and monitoring the control lines to make sure they are responding properly. Use the TAM's Automatic Fault Isolation routine or verify the RF levels manually to ensure proper operation.

---

1. Connect a DVM's positive lead to A15J502 pin 3 and the negative lead to A15J502 pin 6. This measures the reference oscillator tune voltage which is an input to the A3 Interface assembly's ADC MUX.

2. Set the HP 8560A to the following settings:

SPAN ..... 0 Hz  
 CENTER FREQ ..... 389.5 MHz  
 CF STEP ..... 7.5 MHz

3. Use the step keys to tune the CENTER FREQ to the values listed in Table 10-1.
4. As the sampling oscillator frequency is increased, the DVM reading should also increase. The voltage remains at approximately +5.5 Vdc. If the tune voltage is correct, but the ADC measures the voltage and determines it to be out of specification, troubleshoot the A3 assembly's ADC MUX.

**Table 10-1. Center Frequency Tuning Values**

HP 8560A Center Frequency (MHz)	sampling Oscillator's Frequency (MHz)
389.5	280.0
427.0	282.5
449.5	284.0
464.5	285.0
479.5	286.0
502.0	287.5
509.5	288.0
539.5	290.0
569.5	292.0
577.0	292.5
599.5	294.0
614.5	295.0
629.5	296.0
652.0	297.5
659.5	298.0

5. Disconnect W37 from A14J301.
6. Connect a test cable from W37 to the input of another spectrum analyzer. Tune the other spectrum analyzer to the following settings:
- Center Frequency ..... 10 MHz  
 Span ..... 2 MHz
7. The amplitude of the 10 MHz reference signal should measure >-1 dBm. If the signal does not measure >-1 dBm, troubleshoot A15's 10 MHz Distribution and A21 OCXO (if Option 003 is present).
8. Reconnect W37 from A14J301.
9. Connect the CAL OUTPUT to INPUT 50Ω.

10. Set the HP 8560A to the following settings:

CENTER FREQ ..... 300 MHz  
SPAN ..... 100 MHz

11. If the 1st LO is present, a signal should be displayed at about -10 dBm (approximately  $\pm 20$  MHz from the center frequency). If no signal is displayed and ERR 334 LO AMPL is not present, troubleshoot the A7 LODA. If no signal is displayed and ERR 334 LO AMPL is present, check the All YTO as follows:

Set jumper A14J23 to the TEST position.

Set the HP 8560A to the following settings:

CENTERFREQ ..... 50 Hz  
CF STEP ..... 300 MHz  
SPAN ..... 0 Hz

Connect a power meter directly to the output of the All YTO.

Press the HP 8560A's step-up key and measure the YTO output power at each step.

Check that All YTO's output power is between +9 and +13 dBm.

Set jumper A14J23 to the NORM position and reconnect the All YTO.

12. On the HP 8560A press **PRESET**, **CAL**, MORE, FREQ DIAGNOSE, and MAIN ROLLER. Note the Main-Roller Oscillator's frequency.

Main-Roller Oscillator's Frequency = \_\_\_\_\_ MHz

13. Disconnect W32 from A14J501 and connect the output of a signal source to A14J501. Connect a DVM's positive lead to A14J17 pin 1 and negative lead to A14J17 pin 6. See Figure 10-1.

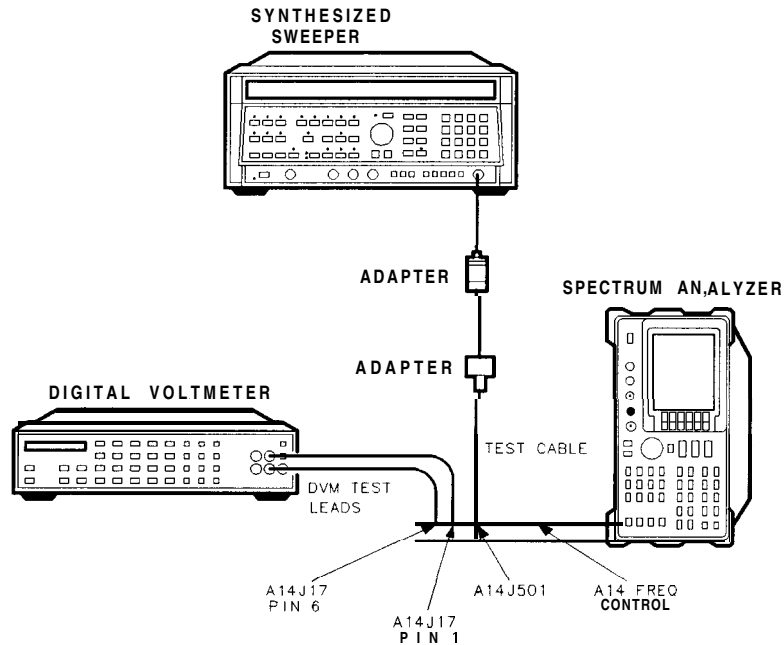
14. Set the signal source to the following settings:

Power ..... 0 dBm  
Frequency ..... Frequency recorded in step 12

15. Tune the source 1 MHz below the Main Roller frequency. The voltage measured on the DVM should be approximately 8.2 Vdc.

16. Tune the source 1 MHz above the Main Roller frequency. The voltage measured on the DVM should be approximately -8.2 Vdc.

17. If the DVM reading does not change, the A14 Frequency Control assembly is defective. Reconnect W32 to A14J501.



SK1 101

**Figure 10-I. YTO Loop Test Setup**

18. Disconnect W34 from A15A2J1 and disconnect W32 from A15J101.
19. Connect a frequency counter to A15J101. Connect a high-frequency test cable from an HP 8340A/B Synthesized Sweeper to A15A2J1. See Figure 10-2.
20. Connect a BNC cable from the HP 8560A's 10 MHz REF IN/OUT to the HP 8340A/B's FREQUENCY STANDARD EXT input.
21. Set the HP 8340A/B to the following settings:
 

FREQUENCY STANDARD	.....	EXT
POWER LEVEL	.....	-5 dBm
FREQ STEP	.....	7.5 MHz
22. Set the HP 8560A to the following settings:
 

SPAN	.....	0 Hz
CFSTEP	.....	7.5 MHz
23. Set the HP 8560A and HP 8340A/B frequencies to the combinations listed in Table 10-2. (Use the frequency step-keys on both instruments.)



**Table 10-2. Sampling Oscillator Test Frequencies**

<b>HP 8560A Center Frequency (MHz)</b>	<b>HP 8340A CW Frequency (MHz)</b>	<b>Frequency of Offset PLL's Sampling Oscillator (MHz)</b>
<b>389.5</b>	4300.2	280.0
427.0	4337.7	282.5
<b>449.5</b>	4360.2	284.0
464.5	4375.2	285.0
<b>479.5</b>	<b>4390.2</b>	286.0
502.0	4412.7	287.5
<b>509.5</b>	4420.2	288.0
<b>539.5</b>	4450.2	<b>290.0</b>
<b>569.5</b>	4480.2	<b>292.0</b>
577.0	4487.7	<b>292.5</b>
<b>599.5</b>	4510.2	<b>294.0</b>
614.5	4525.2	<b>295.0</b>
<b>629.5</b>	4540.2	<b>296.0</b>
652.0	4562.7	<b>297.5</b>
<b>659.5</b>	4570.2	<b>298.0</b>

## Troubleshooting Test Setup

Some Synthesizer Section problems require placing the YTO PLL in an unlocked condition. This is done by moving jumper A14J23 to the TEST position. This grounds the YTO LOOP ERROR signal, disabling the CPU's ability to detect an unlocked YTO. The FM Coil Driver's output is set to its mid-range level causing the YTO to be controlled only by the Main Coil Tune DAC.

Synthesizer Section troubleshooting is best done with the HP 8560A's SPAN set to 0 Hz (even though it is still possible to sweep the Main and FM coils of the YTO).

With the YTO in its unlocked conditions and the SPAN set to 0 Hz, the nominal YTO frequency is not necessarily the value listed as LO FREQ in the Frequency Diagnose menu. The YTO has an initial pretune accuracy of  $\pm 20$  MHz, but this pretune accuracy shifts  $\pm 10$  MHz as a function of the Sampler IF frequency. This enables the YTO loop to acquire lock when the Sampler IF is near its extremes. As a result, the nominal YTO frequency also shifts  $\pm 10$  MHz depending on the Sampler IF frequency.

The Roller Oscillator frequency is the same as the desired sampler IF. Table 10-3 outlines the changes in YTO pretune accuracy and nominal YTO frequency as a function of Roller Oscillator frequency.

- To display the Roller Oscillator's frequency press (CAL), MORE, FREQ DIAGNOSE , MAIN ROLLER. If the Sampler IF is negative (YTO frequency is lower than the desired Sampling Oscillator harmonic), the Main Roller frequency will be displayed as a negative number.

- To display the nominal YTO's frequency, press (CAL), MORE, FREQ DIAGNOSE, LO FREQ .

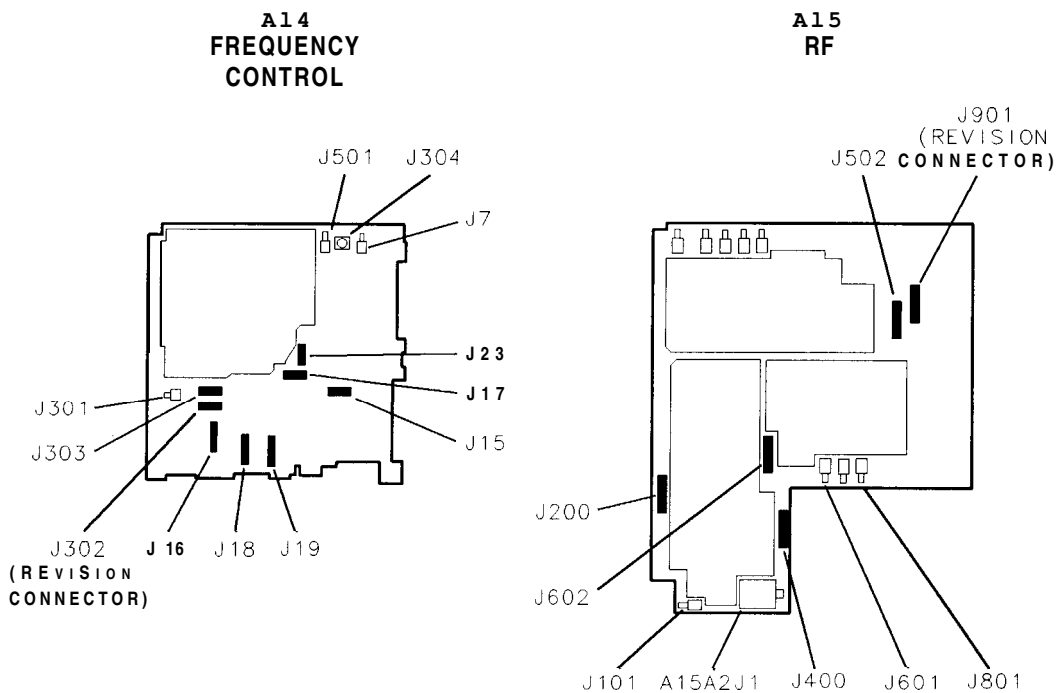
**Table 10-3. YTO Frequency in TEST Position**

Roller Oscillator Frequency	YTO Pretune Accuracy	Nominal YTO Frequency
-104 to -93 MHz	+30/-10 MHz	LO Frequency +10 MHz
-93 to -73 MHz	±20 MHz	LO Frequency
-73 to -65 MHz	+10/-30 MHz	LO frequency -10 MHz
65 to 73 MHz	+30/-10 MHz	LO Frequency +10 MHz
73 to 93 MHz	±20 MHz	LO Frequency
93 to 104 MHz	+10/-30 MHz	LO Frequency -10 MHz

## Troubleshooting Using the TAM

When using Automatic Fault Isolation, the TAM indicates suspected circuits that need to be manually checked. Use Table 10-4 to locate the manual procedure.

Table 10-5 lists assembly test connectors associated with each Manual Probe Troubleshooting test. Figure 10-3 illustrates the location of A14 and A15 test connectors.



SK1103

**Figure 10-3. A14 and A15 Test Connectors**



**Table 10-4. Automatic Fault isolation References (1 of 2)**

<b>Suspected Circuit Indicated by Automatic Fault Isolation</b>	<b>Manual Procedure to Perform</b>
Check the YTO Loop	
Check 1st LO	Confirming a Faulty Synthesizer Section
	<i>(steps 9-11)</i>
Check 1st LO Pretune Frequency and Amplitude	Unlocked YTO PLL <i>(steps 10-13)</i>
Check 3rd LO Drive	Third LO Driver amplifier <i>(steps 1-6)</i>
Check 10 MHz Reference to Phase Frequency	Unlocked Reference PLL <i>(steps 8-13)</i>
Detector	
Check for 10 MHz Signal at Other Input to	Unlocked Reference PLL <i>(steps 12 and 13)</i>
Phase/Frequency Detector	
Check A3 ADC MUX function block	Confirming a Faulty Synthesizer Section <i>(steps 1-4)</i>
Check A14 Frequency Control Assembly	Confirming a Faulty Synthesizer Section
	<i>(steps 12-17)</i>
Check A14J301 10 MHz REF Input	Confirming a Faulty Synthesizer Section
	<i>(steps 5-8)</i>
Check A15 RF Assembly	Confirming a Faulty Synthesizer Section
	<i>(steps 18-25)</i>
Check Current Source U307	First LO Span Problems (All Spans) <i>(steps 14-21)</i>
Check FM Loop Sense	Unlocked YTO PLL <i>(steps 28-34)</i>
Check YTF Gain and OFFset DACs	YTF Driver Circuit <i>(steps 10-23)</i>
Check Level at Amplifier Input	Third LO Driver Amplifier <i>(steps 1-6)</i>
Check Levels into Mixer U400	Unlocked Offset PLL <i>(steps 3-13)</i>
Check Loop References	Unlocked Offset PLL <i>(steps 1 and 2)</i>
Check Main Coil Tune DAC	Unlocked YTO PLL <i>(steps 45-49)</i>
Check Main Coil Coarse and Fine DACs	Unlocked YTO PLL <i>(steps 41-44)</i>
Check Main Roller Mixer	Main Oscillator PLL <i>(steps 10-15)</i>
Check Main Roller Oscillator and Output Buffer	Main Oscillator PLL <i>(steps 1-4)</i>
Amp	
Check Main Roller PLL	Main Oscillator PLL <i>(steps 16-22)</i>
Check Main Roller Pretune DAC	Main Oscillator PLL <i>(steps 5-9)</i>
Check Main Roller Sweep/Hold Switches	First LO Span Problems $\leq 1$ MHz <i>(step 9)</i>
Check Offset Oscillator and Buffer Amp	Offset Oscillator PLL <i>(steps 1-3)</i>

**Table 10-4. Automatic Fault Isolation References (2 of 2)**

<b>Suspected Circuit Indicated by Automatic Fault Isolation</b>	<b>Manual Procedure to Perform</b>
Check Offset Oscillator PLL	Offset Oscillator PLL ( <i>steps 14-18</i> )
Check Offset Oscillator PLL Pre-Scaler	Offset Oscillator PLL ( <i>steps 9-13</i> )
Check Offset Oscillator Pretune Circuitry	Offset Oscillator PLL ( <i>steps 4-8</i> )
Check Offset Span Accuracy	First LO Span Problems $\leq 1$ MHz ( <i>step 8</i> )
Check Offset Oscillator Sweep/Hold	Offset Oscillator PLL ( <i>steps 20-23</i> )
Check Phase/Frequency Detector	Unlocked Reference PLL ( <i>steps 17-22</i> )
Check Path to Phase/Frequency Detector	Unlocked Offset PLL ( <i>steps 3-7, 14-19</i> )
Check Roller Oscillator	Unlocked YTO PLL ( <i>steps 14-18</i> )
Check Sampler Drive Output of A7 LODA	Unlocked YTO PLL ( <i>steps 19-22</i> )
Check Sampler IF	Unlocked YTO PLL ( <i>steps 23-27</i> )
Check Sampler/Sampler IF Operation	Sampler and Sampler IF ( <i>steps 1-15</i> )
Check Span Attenuator	First LO Span Problems (All Spans) ( <i>steps 6-13</i> )
Check Sweep Generator	Sweep Generator Circuit
Check Sweep + Tune Multiplier	YTF Driver Circuit ( <i>steps 4-9</i> )
Check the 600 MHz Reference Loop Amplifier	Unlocked Reference PLL ( <i>steps 23-26</i> )
Check the YTO Loop	Unlocked YTO PLL
Check Transfer Oscillator	Transfer Oscillator PLL ( <i>steps 1 and 2</i> )
Check Transfer Oscillator PLL	Transfer Oscillator PLL ( <i>steps 15-16</i> )
Check Transfer Oscillator Pre-Scaler	Transfer Oscillator PLL ( <i>steps 11-14</i> )
Check Transfer Oscillator Pretune DAC	Transfer Oscillator PLL ( <i>steps 11-14</i> )
Check YTF Gain and Offset DACs	Transfer Oscillator PLL ( <i>steps 1-10</i> )
Check YTO FM Coil Driver	First LO Span Problems (1 MHz to 20 MHz) ( <i>step 6</i> )
Check YTO FM Coil Driver and Main Loop Error Voltage Driver	Unlocked YTO PLL ( <i>steps 35-40</i> )

**Table 10-5. TAM Tests versus Test Connectors (1 of 2)**

Connector	Manual Probe Troubleshooting Test	Measured Signal Line,
A14J15	Sweep Generator	MS8
	Span Attenuator DAC	MS7
	Span Attenuator Switches	MS7
	Sweep + Tune Mult Input Amp	MS1, OS1
	Sweep + Tune Mult Input Switches	MS1, MS3
	VCO Sweep Driver	MS6, OS1
A14J16	FAV Generator	MS4
	FAV Gen 0.5 V/GHz Output	MS5
	YTF Offset DAC	MS6
	YTF Gain and Offset Input	MS2
	YTF Gain DAC	MS1
	YTF Drive	MS3
	Band Switch Driver	MS8
A14J17	Main Coil Course DAC	MS3
	Main Coil Fine DAC	MS2
	Main Coil DACs Output	MS5
	YTO Loop Phase Detector	MS1
	Main Loop Error Volt DVR	MS4
	Option Drive	MS8
	Option Drive Switch	MS7
	Option Drive DAC	MS6
A14J18	$\pm 10$ V Reference	MS1, MS2
	<b>LODA</b> Drive	MS5, MS6, MS7, MSE
A14J19	Main Coil Tune DAC	MS3
	Sweep Generator DAC	MS4
	Sweep Generator Switches	MS4
	Second Conv PIN Switch	MS8
	Second Conv Mixer Bias	MS1
	Second Conv Drain Bias	MS3
	Second Conv Doubler Bias	MS4
	Second Conv Driver Bias	MS5
	First Mixer Drive Switch	MS7
	First Mixer Drive DAC	MS6
A145302	Revision	MS7
	<b>XFER</b> Osc Bias	MS1
	<b>XFER</b> Pretune DAC	MS6
	Offset Osc Bias	MS2
	Offset Pretune DAC	MS8
	Offset Amp Bias	MS5

**Table 10-5. TAM Tests versus Test Connectors (2 of 2)**

Connector	Manual Probe Troubleshooting Test	Measured Signal Lines
A14J303	XFER Amp Bias Main Amp Bias Out Amp Bias Main Osc Bias Main Pretune DAC Course Adj DAC Fine Adj DAC Span Multiplier DAC	MS3 MS4 MS1 MS2 MS7 MS8 MS6 MS5
A15J200	Positive 15 Volt Supply Sampler Drive Buffer Bias Sampling Oscillator Bias Offset Lock Drive Buffer OFL Error Voltage Phase Detector Bias Adjust	MS1 MS2 MS3 MS4 MS6 MS8
A15J400	Positive 15 Volt Supply Offset Lock RF Buffer IF AMP/Limiter Bias Offset Lock Loop Buffer D Offset Lock Loop Buffer C Sampler Bias Test	MS2 MS4 MS6 MS7 MS8 MS3
A15J502	Positive 15 Volt Supply Third LO Tune Voltage Offset Lock Loop Buffer 600 MHz Oscillator Bias Calibrator AGC Amp Bias Calibrator Ampl Adj 3rd LO Driver Amp	MS2 MS3 MS4 MS5 MS6 MS7 MS1, MS8
A15J602	Positive 15 Volt Supply Flatness Compensation 3 Flatness Compensation 2 Flatness Compensation 1 SIG ID Collector Bias RF Gain Control Test	MS8 MS2 MS5 MS6 MS7 MS1, MS3
A15J901	Revision External Mixer Switch Signal ID Switch Ten Volt Reference External Mixer Bias RF Gain Test	MS4, MS3 MS1, MS8 MS5, MS6 MS4 MS7 MS2



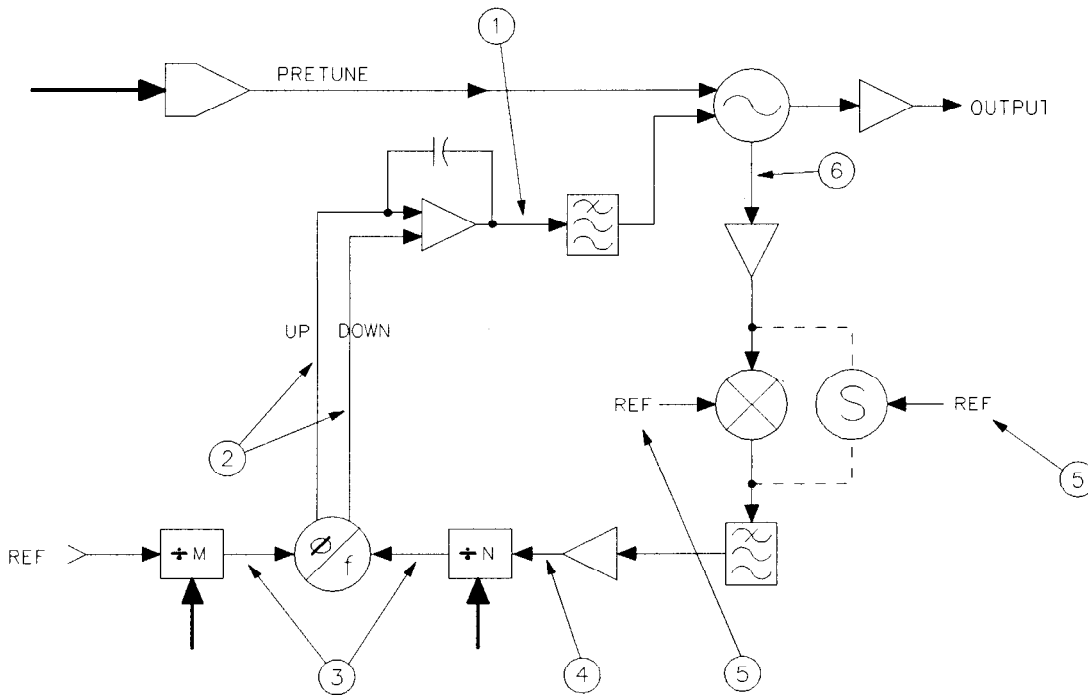
1. The loop integrator's output voltage (1) should be attempting to tune the oscillator to the correct frequency.

a. The voltage at (1) should increase as the frequency increases on the following PLLs:

YTO PLL	A14J17 pin 1 (YTO LOOP ERROR)
Reference PLL	A15J502 pin 3 (LO3 ERR)
Sampler PLL	A15J200 pin 13 (OFL ERR)

b. The voltage at (1) should increase as the frequency decreases on the following PLLs:

Main Roller PLL	A14U115B pin 7 (MAINSENSE)
Offset Roller PLL	A14U111A pin 1 (OFFSENSE)
Transfer Roller PLL	A14U126A pin 1 (XFRSENSE)



SK1 105

**Figure 10-5. Unlocked PLL**

2. If the integrator's output voltage changes in the manner described in step 1, the problem is external to the PLL. For example, the pretune DAC could be faulty. If the integrator's output voltage appears incorrect, confirm that the pulses out of the phase detector (2) are attempting to tune the oscillator in the correct direction.
3. If the phase detector's output is bad, check the inputs to the detector (3). One input should be higher in frequency than the other; this should match the phase detector outputs.
4. Confirm proper power levels for the signals at the input to the "N" dividers (4), the reference input (5), and the loop's feedback path (6).

---

## Frequency Span Accuracy Problems

The HP 8560A employs lock-and-roll tuning to sweep the 1st LO. The 1st LO is locked to the start frequency immediately after the previous sweep has been completed. The 1st LO is then unlocked, and, when a trigger signal is detected, the 1st LO sweeps (rolls).

When there is a considerable delay between the end of one sweep and the beginning of the next, the actual 1st LO start frequency may differ from the locked start frequency. This start frequency drift will be most noticeable in a 1.01 MHz LO span (the narrowest FM coil span). This drift is not noticeable in either Free Run or Line Trigger modes.

The sweep signal is applied to different oscillators in the synthesizer section depending on the desired first-LO's span (due to harmonic mixing, this is not necessarily the same as the span setting of the analyzer). Refer to Table 10-6 for a listing of sweep-signal destinations versus First LO spans.

Sweeping the Roller Oscillator's Offset Oscillator PLL results in sweeping the YTO's FM coil. There is a one-to-one relationship between the roller-oscillator's frequency span and the first-LO's span.

**Table 10-6. Sweep Signal Destination versus Span**

First LO Span	Sweep Signal Destination
>20 MHz	All YTO's Main Coil
1.01 MHz to 20 MHz	All YTO's FM Coil
1.01 kHz to 1 MHz	Main Roller Oscillator
≤100 kHz	Offset Roller Oscillator

### Determining the First LO Span

The first-LO's span depends on the spectrum analyzer's harmonic-mixing number. Use the following steps to determine the first-LO's span:

1. Read the span setting displayed on the HP 8560A.
2. Determine the harmonic-mixing number from the information in Table 10-7.

**Table 10-7. Harmonic Mixing Number versus Center Frequency**

Center Frequency	Harmonic Mixing Number
1 kHz to 2.9 GHz	1
18 GHz to 325 GHz	6 through 52 depending upon lock harmonic selected

- Use the following equation to determine the first-LO span used.

$$\text{First LO Span} = \frac{\text{Display's Span Setting}}{\text{Current Band's Harmonic Mixing Number}}$$

- Refer to Table 10-6 to determine the circuit associated with the span.

### Confirming Span Problems

- If all first-LO spans or only first-LO spans of 1.01 MHz or above are affected, perform the YTO Adjustment procedure in Chapter 2.
  - On the HP 8560A press (CAL), REALIGN LO & IF, and retest all spans.
  - If the YTO Adjustment has sufficient range and only LO spans of 1.01 MHz or above are faulty, test YTO linearity by performing step c.
  - Test the span in question at different center frequencies in the same band. If the span accuracy changes significantly (2% or more), suspect the All YTO.
- If only first-LO spans of 1 MHz or less are faulty, suspect A14's Roller Oscillator PLL.
- If there are several spans in the main coil, FM coil, and roller span ranges affected, suspect A14's span attenuator.

### YTO Main Coil Span Problems (LO Spans >20 MHz)

For YTO Main Coil spans, the YTO is locked at the beginning of the sweep and the sweep ramp is summed into the Main Coil Tune Driver.

- Perform the YTO Adjustment procedure in Chapter 2. If the YTO Adjustments cannot be performed, continue with step 2.
- Set the HP 8560A to the following settings:
 

START FREQ	.....	10 MHz
STOP FREQ	.....	2.9 GHz
- Verify that a -1.2 V to -4.8 V ramp (approximately) is present at A14U331 pin 2.
- If this ramp is not present, troubleshoot the Main/FM/VCO Sweep Switch. See function block G of A14 Frequency Control Schematic (sheet 2 of 5).
- Measure the output of the Main Coil Tune DAC at A14J18 pin 3. At the frequency settings of step 2, this should be -2.49 V. If the voltage is not -2.49 V, troubleshoot the Main Coil Tune DAC. See function block C of A14 Frequency Control Schematic (sheet 2 of 5).



## YTO FM Coil Span Problems (LO Spans 1.01 MHz to 20 MHz)

In YTO FM Coil spans, the YTO loop is locked and then opened while the sweep ramp is summed into the FM coil. FM spans are adjusted by changing the sensitivity of the FM coil driver.

1. Perform the YTO Adjustment procedure in Chapter 2. If the YTO adjustments cannot be performed, continue with this procedure.
2. Set the HP 8560A to the following settings:
  - CENTER FREQ ..... .. 300 MHz
  - SPAN ..... ..20 MHz
  - SWEEPTIME ..... 50ms
3. Check for the presence of a 0 V to -10 V sweep ramp at A14J15 pin 14 (input to the Main/FM/VCO/Sweep Switch). Refer to function block G of A14 Frequency Control Schematic (sheet 2 of 5).
4. Check for the presence of a 0 V to +5 V sweep ramp at A14U405 pin 6 (YTO FM Coil Driver). Refer to function block N of A14 Frequency Control Schematic (sheet 2 of 5).
5. Check the state of the Main/FM/VCO Sweep Switches as indicated in Table 10-8.
6. The rest of the procedure troubleshoots the YTO FM Coil Driver. Refer to function block N of A14 Frequency Control Schematic (sheet 2 of 5).

**Table 10-8. Settings of Sweep Switches**

Switch	Switch State	Switch Control Line (Pin #)	Control Line State (TTL)
U318A	Open	1	High
U318C	Open	9	High
U318D	Closed	16	Low
U324A	Closed	1	High
U324B	Closed	8	High
U324C	Open	9	Low

7. Set the HP 8560A to the following settings:

- CENTER FREQ ..... .. 300 MHz
- SPAN ..... .. 0 Hz
- TRIG ..... .. SINGLE

8. On the HP 8560A press **SAVE**, **SAVE STATE**, **STATE 0**.
9. Remove jumper A14J23 and connect a dc voltage source to A14J23 pin 2.
10. Connect a microwave frequency-counter or spectrum analyzer to the HP 8560A's 1ST LO OUTPUT.
11. Set the dc-voltage source's output for 0 Vdc and note the 1st LO frequency.
12. Set the dc-voltage source's output for +10 Vdc. The 1st LO frequency should increase approximately +15.6 MHz.

13. The voltage at A14U332 pin 2 should be approximately 19% of the voltage at A14523 pin 2.
14. If the 1st LO frequency did not change in step 12, set the HP 8560A's (LINE) switch OFF and disconnect W10 from A14J3.
15. Place a jumper between A14J3 pins 9 and 10 and set the (LINE) switch ON.
16. On the HP 8560A press **RECALL**, **STATE**, **STATE 0**.
17. Repeat steps 6 through 13.
18. If the voltage at U332 pin 2 is correct with A14J3 pins 9 and 10 shorted, but was incorrect with W10 connected, the YTO FM Coil is probably open; replace the All YTO.
19. Replace jumper A14J23.

### Roller Oscillator Span Problems (LO Spans $\leq 1$ MHz)

The following procedure troubleshoots problems with the Roller Oscillator PLL's Main Oscillator (101 kHz to 1 MHz) and Offset Oscillator ( $\leq 100$  kHz).

1. Set the HP 8560A to the following settings:

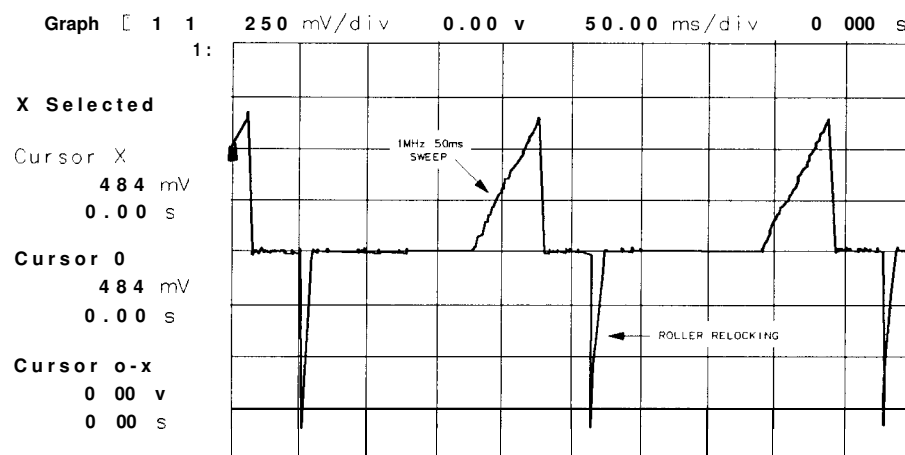
```

CENTER FREQ .....300 MHz
SPAN .....1 MHz
RES BW .....10 kHz
VIDEO BW .....10 kHz
SWEETIME .....50ms
  
```

2. Set an oscilloscope to the settings listed below and monitor A14J17 pin 1. The waveform should look similar to Figure 10-6.

```

Amplitude Scale .....250 mV/div
Sweep Time .....50 ms/div
  
```



SK1106

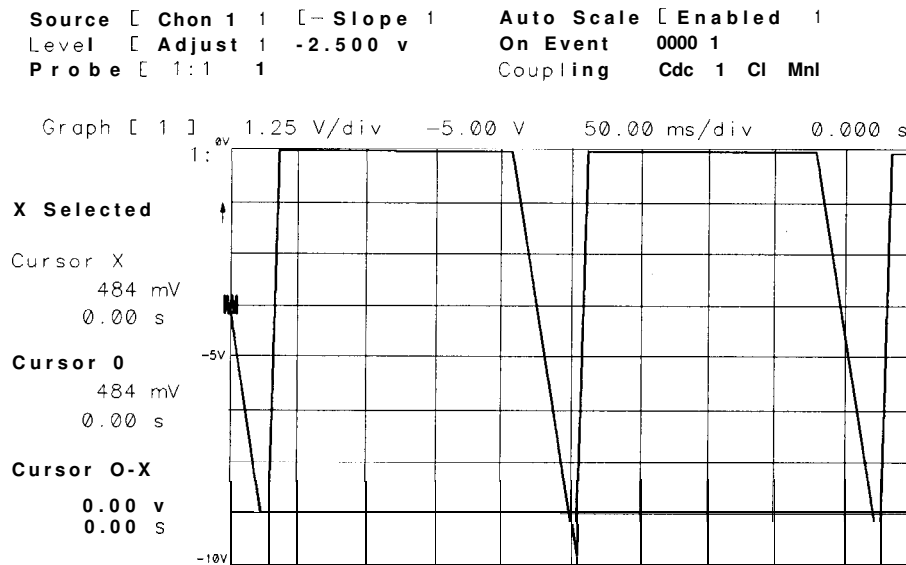
Figure 10-6. Input to YTO FM Coil Driver

- If A14J17 pin 1 does not appear to be correct, verify that the sweep ramp is reaching the Main/FM/VCO Sweep Switch as follows:

Change the oscilloscope's amplitude scale to 1.25 V/div and monitor the A14J15 pin 14. The waveform should be a 0 V to -10 V sweep of 50 ms duration. See Figure 10-7. Check for a 0 V to -10 V ramp at A14J15 pin 13. Refer to function block H of A14 Frequency Control Schematic (sheet 2 of 5).  
Check that state of the Main/FM/VCO Sweep Switches as indicated in Table 10-9.

### Note

Switches U324A and U318C can change the polarity of A14U404B. This allows the Roller Oscillator to sweep backwards when the YTO is locked to a lower sideband of a Sampling Oscillator's comb tooth. The YTO always sweeps forward (lower frequency to higher frequency), but the Roller Oscillator sometimes sweeps backwards (higher frequency to lower frequency). The **FREQ DIAGNOSE** menu will indicate a negative Main Roller frequency in this instance.



SK1107

Figure 10-7. Input to Main/FM/VCO Sweep Switch

Table 10-9. Settings of Sweep Switches

Switch	Switch State	Switch Control Line (Pin #)	Control Line State (TTL)
U318A	Open	1	High
U318C	Open	9	High
U318D	Open	16	High
U324A	Closed	1	High
U324B	Closed	8	High
U324C	Closed	9	High

4. Set the HP 8560A to the following settings to open U324A and close U418C. This inverts the waveform at A14J15 pin 13.

START FREQ .....678.8 MHz  
SPAN .....1 MHz

5. The waveform at A14J15 pin 13 should be a ramp from 0 V to -10 V.
6. Set the HP 8560A to the following settings:

CENTER FREQ .....300 MHz  
SPAN .....1 MHz

7. Monitor the output of A14J304 ROLLER TST with another spectrum analyzer and check that the Roller Oscillator is sweeping from 94.2 to 95.2 MHz.
8. If spans  $\leq 100$  kHz are faulty, troubleshoot the Offset Oscillator circuits as follows:

---

**Note**

In LO spans  $\leq 100$  kHz, the Roller Oscillator PLL's Offset Oscillator is swept. The Main Roller Oscillator remains locked to the Offset Oscillator's frequency divided by 100. (In a 100 kHz span, the Offset Oscillator rolls 10 MHz while the Main Roller Oscillator rolls 100 kHz. The YTO is locked to the Main Roller Oscillator and also rolls 100 kHz.)

---

If the sweep ramp is correct at A14J15 pin 13, but the Roller Oscillator is not sweeping properly in spans  $\leq 100$  kHz, troubleshoot the Offset Oscillator Sweep/Hold circuit. Refer to function block AD of A14 Frequency Control Schematic (sheet 5 of 5).  
If the Offset Oscillator Sweep/Hold circuit is operating properly, Replace the A14A101 Offset Oscillator. Refer to Function Block AE of A14 Frequency Control Schematic (sheet 5 of 5).

9. If all LO spans  $\leq 1$  MHz are faulty, troubleshoot the Main Roller Sweep/Hold switches. Refer to function block AM of A14 Frequency Control Schematic (sheet 5 of 5).

---

**Note**

The switching network, U116A/C/D, and Q101, determines the Main Roller Oscillator's voltage source. When the oscillator is locked, U116A is closed to apply the PLL error voltage to the oscillator. When the oscillator is swept, U116A opens and U116C closes applying the span ramp to the oscillator. U116D also closes providing the same impedance to ground as during the lock mode.

---

10. If the spans are still faulty, refer to "Unlocked Roller Oscillator PLL" in this chapter.

## First LO Span Problems (All Spans)

1. Set the HP 8560A to the following settings:

CENTER FREQ .....300 MHz  
SPAN ..... 1 MHz  
RES BW ..... 1 MHz  
VIDEO BW ..... 1 MHz  
SWEEPTIME ..... 50ms

2. Check that there is 0 V to +10 V ramp of 50 ms duration at A14J15 pin 15.
3. If a scan ramp is not present, refer to “Sweep Generator” in this chapter.
4. If there is a 0 to -10 V ramp at A14J15 pin 14, the fault is probably in the Main/FM/VCO Sweep Switch. See function block G of A14 Frequency Control Schematic (sheet 2 of 5).
5. Check that there is a 0 V to +10 V ramp at U325 pin 1. The analyzer’s ADC obtains information about the sweep from this node.
6. Continue with step 7 to check the Span Attenuator. See Function Block M of A14 Frequency Control Schematic (sheet 2 of 5).
7. With the analyzer set to the settings in step 1, monitor A14U323 pin 6 with an oscilloscope. A 0 V to -10 V ramp should be present.
8. Change the HP 8560A’s span to 500 kHz and check for a 0 V to -5 V ramp at U323 pin 6.
9. Change the HP 8560A’s span to 200 kHz and check for a 0 V to -2 V ramp at U323 pin 6.
10. Set the HP 8560A to the following settings:  
START FREQ .....10 MHz  
STOP FREQ ..... 2.9 GHz  
SWEEPTIME ..... 80ms
11. Monitor A14J15 pin 14 for a 0 V to -9 V ramp. Switches U317A, U317B, and U317D should be open and U317C should be closed.
12. Change the HP 8560A’s SPAN to 365 MHz and check for a 0 mv to -900 mV ramp at A14J15 pin 14. Switch U317C should be open and U317B closed.
13. Change the HP 8560A’s SPAN to 36.5 MHz and check for a 0 mV to -90 mV ramp at A14J15 pin 14. Switch U317B should be open and U317A closed.
14. Check the Sweep Generator’s Current Source with the following steps (function block K of A14 Frequency Control Schematic).
15. Set the HP 8560A to the following settings:  
CENTER FREQ .....300 MHz  
SPAN ..... 1 MHz  
SWEEPTIME ..... 50ms
16. Use a DVM to monitor the voltage at A14J18 pin 4. The voltage should measure approximately -8.45 Vdc.

17. Set the HP 8560A's sweep time to 100 ms. The voltage at J18 pin 4 should measure approximately -4.21 Vdc.
18. Set the HP 8560A's sweep time to 200 ms. The voltage at J18 pin 4 should measure approximately -2.1 Vdc.
19. The analog switches and comparators should be set as listed in Table 10-10.
20. Check that U312D opens when the sweep time is set to 2 seconds.
21. Check that U312B and U312C close when the sweep time is set to 20 seconds.

**Table 10-10. Settings for Switches and Comparators**

<b>Sweep Time</b>	<b>Switch U312B</b>	<b>Switch U312C</b>	<b>Switch U312D</b>	<b>Comparator U319A Pin 1</b>	<b>Comparator U319B Pin 7</b>
<b>200 ms</b>	Open	Open	Closed	High	High
<b>2 s</b>	Open	Open	Open	High	High
<b>20 s</b>	Closed	Closed	Open	High	High

---

## Unlocked YTO PLL

### Operation

The All YTO is locked to two other oscillators, the Roller PLL's Main Oscillator and the Offset PLL's Sampling Oscillator. For LO spans of 1.01 MHz and above, either the FM or Main Coil of the YTO is swept directly. For LO spans of 1 MHz and below, the Roller PLL's Main Oscillator is swept. The Sampling Oscillator remains fixed-tuned during all sweeps.

The output of All YTO feeds through the A7 LO Distribution Amplifier (LODA) to the A15A2 Sampler. The Offset PLL's Sampling Oscillator, which drives the sampler, oscillates between 280 and 298 MHz. The sampler generates harmonics of the Sampling Oscillator and one of these harmonics mixes with the YTO frequency to generate the Sampler IF frequency. As a result, the frequency of the Sampler IF is determined by the following equation:

$$F_{IF} = F_{YTO} - (N \times F_{SAMP})$$

Where:

$F_{IF}$  is the Sampler IF

$F_{YTO}$  is the YTO's frequency

N is the desired Sampling Oscillator harmonic

$F_{SAMP}$  is the Sampling Oscillator frequency

Notice that  $F_{IF}$  can be positive or negative depending upon whether the Sampling Oscillator harmonic used is below or above the YTO frequency. Of course, the actual Sampler IF is always positive, but the sign is carried along as a "bookkeeping" function which determines which way to sweep the Roller Oscillator (up or down) and what polarity the YTO error voltage should have (positive or negative) to maintain lock.

To check if a negative Sampler IF is selected, press [CAL), MORE, FREQ DIAGNOSE , MAIN ROLLER. If the Main Roller Oscillator frequency is positive, the Sampler IF is also positive. A negative Main Roller frequency indicates that the Sampler IF is negative.

Notice that the polarity of the YTO loop error voltage (YTO LOOP ERROR) out of the YTO Loop phase/frequency detector changes as a function of the polarity of the Sampler IF. That is, for positive Sampler IF's, an increasing YTO frequency results in an increasing YTO LOOP ERROR signal. For negative Sampler IF's, a decreasing YTO frequency results in a decreasing YTO LOOP ERROR signal. This implies that to maintain lock in both cases, the sense of YTO LOOP ERROR must be reversed such that, with a negative Sampler IF, an increasing YTO LOOP ERROR results in an increasing YTO frequency. This is accomplished with error-sign amplifier, A14U328D. This amplifier can be firmware-controlled to operate as either an inverting or non-inverting amplifier. Digital control line ERRSGN (from A14U313 pin 12) controls the polarity of this amplifier. When ERRSGN is high, the amplifier has a positive polarity.

In Roller Spans (LO Spans <1 MHz) the YTO remains locked to the sweeping Roller Oscillator PLL. Thus, the Sampler IF must always equal the Main Roller Oscillator frequency (conditions for lock). Since the YTO must always sweep up in frequency, for

negative Sampler IF's, the Main Roller Oscillator must sweep from a higher frequency to a lower frequency. This is necessary since an increasing YTO frequency decreases the Sampler IF for negative Sampler IF's. The opposite is true for positive Sampler IF's, so in these cases, the Main. Roller Oscillator sweeps more conventionally from a lower frequency to a higher frequency. This implies that the sense of the span ramp sweeping the Roller Oscillator PLL must change between negative and positive Sampler IF's. This is accomplished by controlling the polarity of the VCO Sweep Driver. The polarity is controlled by VCOSGN from A14U425 pin 12. When VCOSGN is high, the VCO Sweep Driver has positive polarity.

The Main and Offset Roller Oscillators have opposite sense with respect to the VCO span ramp (VCO RAMP). A positive-going ramp moves the Main Roller Oscillator lower in frequency (Main Roller spans) while a positive-going ramp moves the Offset Roller Oscillator higher in frequency (Offset Roller spans). Thus the polarity of the VCO Sweep Driver depends on whether a Main Roller or Offset Roller LO span is selected.

Table 10-11 summarizes the amplifier polarities for the various combinations of Sampler IF polarities and LO spans.

The YTO Main Coil Filter is used to improve residual FM in FM spans. See function block E of A14 Frequency Control Schematic (sheet 2 of 5) in the Component-Level Information binder. Transistors Q304 and Q305 switch the filter (capacitor C36 and resistor R48) into the circuit. Transistor Q303 and U333 keep C36 charged during main spans so the frequency does not jump when C36 is switch in.



**Table 10-I 1. Amplifier Polarities**

		<b>YTO Error Sign Amplifier</b>	<b>VCO Sweep Driver Amplifier</b>	<b>ERRSGN (A14U313 pin 12)</b>	<b>VCOSGN (A14U425 pin 12)</b>
<b>Roller's Offset Oscillator Swept</b>	Positive Sampler IF	Positive	Negative	TTL High	TTL Low
	Negative Sampler IF	Negative	Negative	TTL Low	TTL High
<b>Roller's Main Oscillator Swept</b>	Positive Sampler IF	Positive	Positive	TTL High	TTL High
	Negative Sampler IF	Negative	Negative	TTL Low	TTL Low
<b>FM/Main YTO Coils Swept</b>	Positive Sampler IF	Positive	Does not apply	TTL High	Does not apply
	Negative Sampler IF	Negative	Does not apply	TTL Low	Does not apply

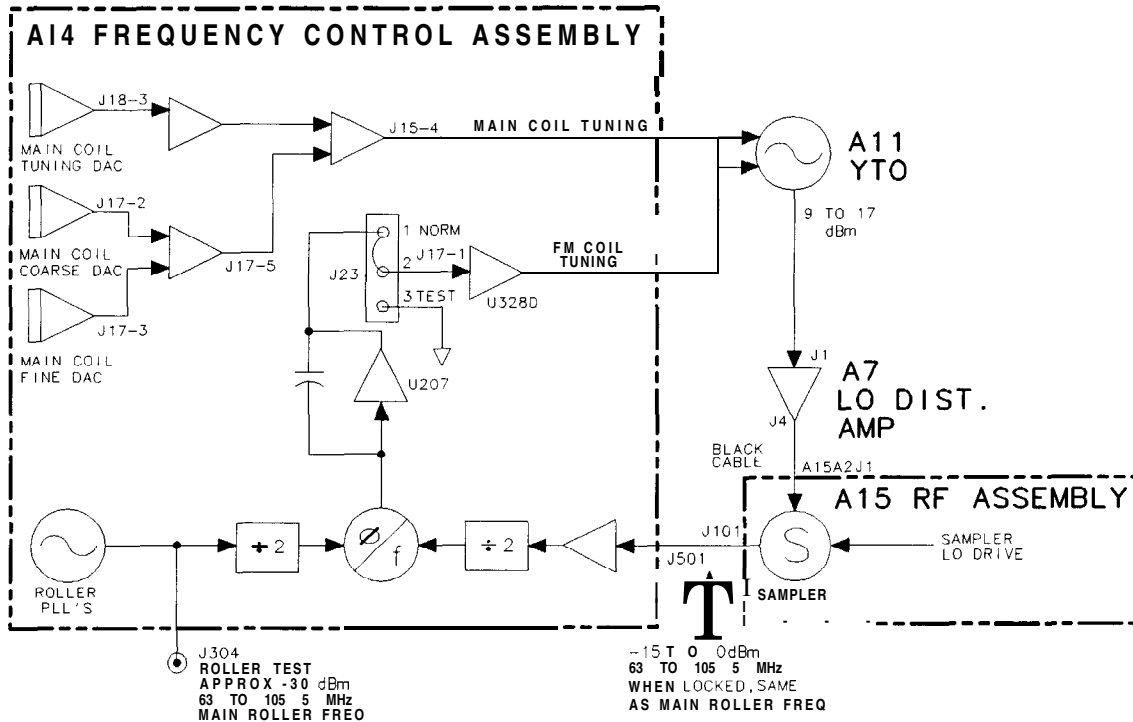
### Troubleshooting an Unlocked YTO PLL

1. If the YTO PLL is unlocked, error code 301 should be displayed. Place the HP 8560A in ZERO SPAN. Figure 10-8 illustrates the simplified YTO PLL.
2. Move the jumper on A14523 to connect pins 2 and 3 (TEST position). Refer to Figure 10-3 for the location of A14J23. Error code 301 should no longer be displayed. (The YTO PLL's feedback path is now open.)
3. On the HP 8560A, press (CAL), MORE, FREQ DIAGNOSE, and LO FREQ . The displayed LO FREQ is the desired YTO frequency. Record the YTO's calculated frequency below:

YTO Frequency (calculated) = \_\_\_\_\_MHz

4. Measure the YTO frequency at the front-panel's 1ST LO OUTPUT jack and record below:

YTO Frequency (measured) = \_\_\_\_\_MHz



SK1 108

Figure 10-8. Troubleshooting an Unlocked YTO PLL

5. Calculate the YTO's frequency error by subtracting the frequency recorded in step 3 from the frequency recorded in step 4. Record the result below:

YTO Frequency Error = \_\_\_\_\_MHz

YTO Frequency Error = YTO Frequency (MEASURED) - YTO Frequency (CALCULATED)

6. On the HP 8560A, press MORE, FREQ DIAGNOSE, and MAIN ROLLER. Record the Main Roller frequency below:

Main Roller Frequency = \_\_\_\_\_MHz

7. If the YTO Frequency Error recorded in step 5 is greater than 30 MHz, do the following:
- Check the YTO Adjustments using the TAM or the procedure in Chapter 2.
  - Check the YTO DACs using the procedure in steps 41 through 49 below, or using Manual Probe Troubleshooting with the TAM on A14J17 and A14J18.
  - Refer to steps 10 through 34 below.

8. If the YTO Frequency Error recorded in step 5 is less than 10 MHz, do the following:
  - a. Measure the frequency at A14J304. The frequency should be equal to the frequency recorded in step 6. If not, refer to “Unlocked Roller Oscillator PLL” in this chapter.
  - b. Measure the input and output levels of the A15A2 Sampler. If the sampler appears defective, check the LO drive to the sampler as described in “Sampler and Sampler IF.”
  - c. Refer to steps 35 through 49 below.
9. If the YTO Frequency Error recorded in step 5 is between 10 and 30 MHz, do the following:
  - a. Find the Main Roller Frequency in Table 10-12 that matches the frequency recorded in step 6. Locate the corresponding acceptable YTO Frequency Error range in the table.

---

**Note**

Table 10-12 shows how close in frequency the YTO must be in order to phase-lock when the loop is closed. The range is a function of where the main roller oscillator is tuned. The Main Roller Frequency column (showing polarity) indicates whether the YTO frequency is above (+) or below (–) the sampler’s harmonic.

---

- b. If the YTO Frequency Error recorded in step 5 is outside the range listed in Table 10-12, perform the following steps.
  - i. Check the YTO Adjustments using the TAM.
  - ii. Check the YTO DACs using the procedure in steps 41 through 49 below or using Manual Probe Troubleshooting with the TAM on A14J17 and A14J18.
  - iii. Refer to steps 10 through 34 below.
- c. If the YTO Frequency Error recorded in step 5 is within the range listed in Table 10-12.
  - i. Measure the frequency at A14J304. The frequency should be equal to the frequency recorded in step 6. If not, refer to “Unlocked Roller Oscillator PLL” in this chapter.
  - ii. Measure the input and output levels of the A15A2 Sampler. If the sampler appears defective, check the LO drive to the sampler as described in “Sampler and Sampler IF” in this chapter.
  - iii. Refer to steps 35 through 49 below.

**Table 10-12. YTO Frequency Errors with A14J23 on Pins 2 and 3**

Main Roller Frequency	YTO Frequency Error (with J23 on pins 2 and 3)	Gain of U328B
-104 to -93 MHz	-10 to +30 MHz	-1
-93 to -73 MHz	-20 to +20 MHz	-1
-73 to -65 MHz	-30 to +10 MHz	-1
+65 to +73 MHz	-10 to +30 MHz	+1
+73 to +93 MHz	-20 to +20 MHz	+1
+93 to +104 MHz	-30 to +10 MHz	+1

10. The 1st LO's pretuned frequency must be sufficiently accurate for the YTO loop to acquire lock. The 1st LO's amplitude must be sufficient to drive the A15A2 Sampler. Perform the YTO Adjustment procedure, particularly the YTO Main Coil adjustments. (If available, use a synthesized microwave spectrum analyzer instead of the microwave frequency counter specified in the adjustment procedure.)
11. If the YTO's main coil cannot be adjusted, proceed to step 33 to troubleshoot the Main Coil Coarse and Fine DACs and Main Coil Tune DAC.
12. The front-panel's 1ST LO OUTPUT should measure between +14.5 and +18.5 dBm in amplitude. (>+12.5 dBm if Option 002 is present.)
13. If the 1ST LO OUTPUT amplitude is out of the specified range, perform the First LO Distribution Amplifier Adjustment procedure. Refer to Chapter 2.
14. Set the HP 8560A to the following settings:
  - CENTER FREQ .....300 MHz
  - SPAN ..... 0 Hz
15. Monitor the Roller Oscillator PLL's output at A14J304 (ROLLER TST) with a synthesized spectrum analyzer such as an HP 8568A/B or HP 8566A/B. Refer to function block AQ of A14 Frequency Control Schematic (sheet 5 of 5).
16. The signal at A14J304 (ROLLER TST) should measure approximately -30 dBm at 94.7 MHz.
17. If a problem exists only at particular CENTER FREQ and SPAN settings, determine the desired Roller Oscillator frequency by pressing [CAL), MORE, FREQ DIAGNOSE, MAIN ROLLER and setting the HP 8560A to SINGLE trigger mode.
18. If the Roller Oscillator frequency is not correct, refer to "Unlocked Roller Oscillator PLL" in this chapter.
19. Set jumper A14J23 to the TEST position and set the HP 8560A to the following settings:
  - CENTER FREQ ..... 2.9 GHz
  - SPAN ..... 0 Hz
20. Disconnect cable W34 from A15A2J1.
21. Use a power meter to measure A7 LODA's sampler-drive output at the end of W34. The power should measure greater than -9 dBm.

22. Place jumper A14J23 in the NORMAL position and reconnect W34 to A15A2J1.
23. Set the HP 8560A to the following settings:
  - CENTER FREQ .....300 MHz
  - SPAN .....0 Hz
24. Place jumper A14J23 in the TEST position.
25. Disconnect W32 from A15J101. Monitor the Sampler IF output (A15J101, SAMPLER IF) with a synthesized spectrum analyzer such as an HP 8568A/B or HP 8566A/B.
26. The Sampler IF should measure between 74 MHz and 114 MHz at -15 dBm to +2 dBm. If the signal frequency or amplitude is incorrect, refer to “Unlocked Offset PLL” in this chapter.
27. Set jumper A14J23 in the NORMAL position. Reconnect W32 to A15J101.

---

**Note** The All YTO has an initial pretune accuracy of  $\pm 20$  MHz. However, when the Roller Oscillator frequency is  $< 73$  MHz, this is changed to  $+30/-10$  MHz. If the Roller Oscillator is  $> 93$  MHz, the accuracy is changed to  $+10/-30$  MHz. This is done by changing the Main Coil Coarse DAC to keep the Sampler IF within the acquisition range of the YTO Loop. When dealing with the Sampler IF and an unlocked YTO, the same frequency differences apply to the Sampler IF.

---

28. Set the HP 8560A to the following settings:
  - CENTER FREQ .....300 MHz
  - SPAN .....0 Hz
29. Connect an RF signal-generator’s output to A14J501. Set the signal generator to the following settings:
  - Frequency .....84 MHz
  - Amplitude .....OdBm
30. Monitor A14J17 pin 1 with a DVM or oscilloscope.
31. As the signal generator’s frequency is increased to 104 MHz, the voltage at A14J17 pin 1 should change from f8.2 to -8.2 Vdc  $\pm 1$  V.
32. Set the signal generator to the following settings and repeat step 23.
  - Frequency .....84 MHz
  - Amplitude .....-15 dBm

33. If the voltage monitored in step 23 is correct with a 0 dBm output but not with -15 dBm output, suspect A14U201 or A14U202. If the voltage does not change, check the YTO PLL Loop's divide-by-two circuits as follows:

Set the signal generator for an 80 MHz output.

Measure A14U203 pin 2 with an active probe and a spectrum analyzer. The signal should be approximately 0 dBm (ECL levels) and 47.35 MHz (94.7 MHz Main Roller Frequency divided by two).

The signal at A14U205 pin 2 should measure 40 MHz at approximately 0 dBm.

---

**Note** A14U205 is turned off during YTO FM coil sweeps (LO spans between 1.01 and 20 MHz).

---

34. Place jumper A14J23 in the NORMAL position and connect W32 to A14J501.
35. Steps 27 through 31 verify that the YTO-loop error voltage is reaching the FM coil. Refer to function blocks N and 0 of A14 Frequency Control Schematic (sheet 2 of 5) in the Component-Level Information binder. To troubleshoot the YTO FM Coil Driver, refer to step 6 of "First LO Span Problems (1 MHz to 20 MHz)."
36. Remove jumper A14J23 and connect a dc power supply to A14J23 pin 2. Set the dc power supply to +7.5 Vdc.
37. Verify the nominal test-point voltages listed in Table 10-13.
38. Change the input voltage to -7.5 volts and re-verify that the voltages listed in Table 10-13 are the same except for a change in polarity.
39. The Main-Loop Error-Voltage Driver has a gain of either 1.5 or 15; the analyzer's firmware controls the gain during the locking process. The error voltage is read by the ADC on the A3 Interface assembly. U324D calibrates out any offsets from true ground. A14U326A inverts the sense of the YTO loop to lock the YTO on lower sampler-sidebands (YTO frequency < (sampler frequency x sampler harmonic)). The Main Roller frequency indicated in the **FREQ DIAGNOSE** menu will be negative in this situation. Changing the **CENTER FREQ** to 678.8 MHz with a **SPAN** of 0 Hz will change the switch setting of U326A and invert the voltages listed in Table 10-13.

**Table 10-13. Voltages in FM Coil and Main Loop Drivers**

Measurement Points	Voltages
A14U405 pin 6	+2.8 Vdc
A14U322 pin 2	0 Vdc
A14J17 pin 4	>+12 Vdc

40. Place jumper A14J23 in the TEST position.

41. The Main Coil Coarse and Fine DACs correct any initial pretune errors in the YTO main coil. The DACs adjust the FM-coil current to zero before any sweep begins. Refer to function block I of A14 Frequency Control Schematic (sheet 2 of 5).
42. Set the HP 8560A to the settings listed below. These set both DACs to 128 (the DAC setting range is 0 to 255).

CENTER FREQ .....300 MHz  
 SPAN ..... 0 Hz  
 TRIG .....CONT

43. Verify the voltages listed in Table 10-14.

**Table 10-14. Main Coil Coarse and Fine DACs Voltages**

Measurement Points	Voltages
A14J17 pin 2	-7.0 Vdc
A14J17 pin 3	-7.0 Vdc
A14J17 pin 5	+8.1 Vdc

44. Place jumper A14J23 in the NORMAL position.

**Note**

The All YTO has an initial pretune accuracy of  $\pm 20$  MHz. However, when the Roller Oscillator frequency is  $< 73$  MHz this is changed to  $+30/-10$  MHz. If the Roller Oscillator frequency is  $> 93$  MHz, the accuracy is changed to  $+10/-30$  MHz. This is done by changing the Main Coil Coarse DAC to keep the Sampler IF within the acquisition range of the YTO Loop. When dealing with the Sampler IF and an unlocked YTO, the same frequency differences apply to the Sampler IF.

45. Set the HP 8560A to the following settings:

CENTER FREQ .....300 MHz  
 SPAN ..... 0 Hz

46. Place jumper A14J23 in the TEST position.
47. Measure the output of the Main Coil Tune DAC (A14J18 pin 3) with a DVM. Refer to function block C of A14 Frequency Control Schematic (sheet 2 of 5) in the Component-Level Information binder.
48. If the HP 8560A's center frequency is 300 MHz, the voltage at A14J18 pin 3 should measure  $-3.35 \text{ V} \pm 0.25 \text{ V}$ . The voltage may also be determined from the following equation:

$$V = -(1st \text{ LO Frequency} - 2.95 \text{ GHz}) \times 2.654 \text{ V/GHz}$$

49. The voltage at A14U330 pin 2 should measure  $3.4 \text{ V} \pm 0.2 \text{ Vdc}$ . This represents a current setting the YTO to approximately 2.95 GHz.

---

## Unlocked Roller Oscillator PLL

### Operation

The Roller Oscillator is used in the HP 8560A as a reference for the 1st LO phase-lock loop. It provides the 25 Hz start-frequency resolution for the 1st LO, and is the means by which the 1st LO is swept in LO spans of 1 MHz or less (Roller spans). It is composed of the following three separate phase-lock loops:

Offset Oscillator PLL  
Transfer Oscillator PLL  
Main Oscillator PLL

These three PLLs operate together to produce an output frequency in the range of 65 MHz to 104 MHz selectable in 25 Hz increments. The output frequency can be swept (increasing or decreasing) over a selectable 2.5 kHz to 1 MHz range.

To determine the Roller frequency for any given center frequency, press (CAL), MORE ,  
FREQ DIAGNOSE, and MAIN ROLLER. The MAIN ROLLER frequency displayed is the frequency that will be measured at A14J304 ROLLER TST with the HP 8560A in zero span.

---

**Note** Because the three Roller loops are all interdependent, an error message displayed on screen might not be the primary cause of the failure. Be sure to query the error message buffer for all encountered errors by pressing **RECALL**, MORE, RECALL ERRORS and using the knob or step keys to scroll through all encountered errors. The frequency displayed for the Offset Roller using the above procedure is the Offset Roller frequency/100.

---

During the LO ADJUST sequence performed at power-on, pretune-DAC-values for Roller Oscillator frequencies, spaced 2 MHz apart, are determined and stored. Pretune-DAC-values for frequencies locked during instrument operation are interpolated from these calibration values. Tuning sensitivities for the Main and Offset Rollers are determined and used to adjust the Roller Span Attenuator DAC U114B to improve span accuracy.

### Confirming an Unlocked Condition

1. Set the HP 8560A to the following settings:

CENTER FREQ ..... 300 MHz  
SPAN ..... 0 Hz

2. Connect A14J304 ROLLER TST to the input of a synthesized spectrum analyzer and view the Roller Oscillator output at 94.7 MHz.

---

**Note** If a synthesized spectrum analyzer is not available, connect A14J304 to the input of a 20 dB gain amplifier, such as an HP 84473. Connect the output of the amplifier to the input of a frequency counter.

---



3. If the Roller Oscillator measures a stable 94.7 MHz, the Roller Oscillator PLLs are probably locked.
4. If the Roller Oscillator is off-frequency or unstable and no error message is displayed, check Roller MUX U305, Roller MUX Amplifier U328, and MUX Gain Control Switch U328B. Refer to function block AG of A14 Frequency Control Schematic (sheet 5 of 5).

**Note** Although J304 is the output of the Main Roller Oscillator, an unstable signal here does not necessarily mean the Main Roller Oscillator is unlocked; the Main Roller Oscillator will track the frequency movements of the other two Roller PLLs.

### Offset Oscillator PLL

The Offset Oscillator PLL provides a synthesized frequency in the range of 189 MHz to 204 MHz in 2.5 kHz steps. This frequency is divided by 100 to provide a 1.89 MHz to 2.04 MHz signal with 25 Hz resolution to the Main Oscillator PLL. It is swept in LO spans  $\leq 100$  kHz.

1. Confirm an output from the Offset Oscillator at the points listed below. Refer to function block AE of A14 Frequency Control Schematic (sheet 5 of 5) in the Component-Level Information binder.

A14TP302 (A14A101)	189 MHz to 204 MHz
U102 pin 2	189 MHz to 204 MHz (>-3 dBm)

2. Measure the Offset Amp and Offset Osc Bias voltages at the following test points:

A14J302 pin 5 (Offset Amp Bias)	between +2 and +4 Vdc
A14J302 pin 2 (Offset Osc Bias)	between +7 and +8 Vdc

3. The oscillator's power level, measured with an active probe at TP302, should measure -15 dBm.

4. Set the HP 8560A to the following settings:

CENTER FREQ .....300 MHz  
SPAN ..... 0 Hz

5. Measure the unlocked Offset Oscillator's frequency at A14TP302. If the frequency is not 200 MHz  $\pm 10$  MHz, short U416 pin 14 to ground. Refer to function block AD of A14 Frequency Control Schematic (sheet 5 of 5) in the Component-Level Information binder.
6. The Offset Oscillator's frequency should measure 200 MHz  $\pm 1$  MHz. If the frequency is not in this range, measure the pretune voltage at J302 pin 15.
7. If the pretune voltage is not -5.25 +/-1.75 Vdc, troubleshoot U126B, U119B, and the offset pretune DAC address decoder U302. Refer to function block AF of A14 Frequency Control Schematic (sheet 5 of 5) and function block B of A14 Frequency Control Schematic (sheet 2 of 5) in the Component-Level Information binder.
8. Remove the short from U416.

---

**Note** If the Transfer Roller Oscillator is locked, the address decoder is not at fault. Address decoder U302 decodes a single address for both the Offset Oscillator Pretune DAC and the Transfer Oscillator Pretune DAC.

---

9. If the pretune voltage is within the range listed in step 7, the Offset Oscillator is probably at fault.
10. Measure the Offset Oscillator's frequency at A14TP302. If the frequency is not 200 MHz  $\pm 10$  MHz, connect a frequency counter to U101 pin 3 (using a  $\times 10$  oscilloscope probe). Place the counter in the high-input impedance function.
11. Set the HP 8560A to the following settings:

CENTER FREQ ..... 300 MHz  
SPAN ..... 0 Hz

12. Check that U101 pin 1 is high. This indicates that prescaler U101 is in the divide by 128 mode. Refer to function block AC of A14 Frequency Control Schematic (sheet 5 of 5).
13. The signal's frequency at U101 pin 3 should be the Offset Oscillator's frequency divided by 128. The frequency would be 1.562500 MHz if the Offset Oscillator was locked at **200** MHz.
14. The amplitude of the signal at U110 pin 3 should measure greater than 0.1 Vp-p.

---

**Note** Integrated circuit U110 contains the reference and VCO dividers, phase detector and modulus (pre-scaler) control circuitry.

---

15. Set the HP 8560A to the following settings:

CENTER FREQ ..... 300 MHz  
SPAN ..... 0 Hz

16. Check that there are narrow ( $< 1 \mu\text{sec}$ ) pulses 400  $\mu\text{sec}$  apart at U110 pin 18 (reference divider output) and U110 pin 15 (VCO divider output). Refer to function block AC of A14 Frequency Control Schematic (sheet 5 of 5).
17. Short A14A101 pin 14 of the Offset Oscillator to A14A101 pin 20. This sets the Offset Oscillator's TUNE+ line at +10 V, setting the Offset Oscillator to its maximum frequency.
18. The error voltage measured at U111 pin 1 should be greater than +9 Vdc.
19. Short A14A101 pin 14 of the Offset Oscillator to ground. The error voltage at U111 pin 1 should measure less than -9 Vdc.

---

**Note** Under some unlocked conditions, the Offset Oscillator loop may appear to become unstable. (The error voltage will oscillate wildly.) This is normal behavior brought on by the conduction of zener diodes VR308 and VR309 which short out R336 to improve the lock time.

---

20. Remove the shorts from A14A101.

21. Set the HP 8560A to the following settings:

CENTER FREQ .....300 MHz  
SPAN ..... 0 Hz

22. Check that the voltage at U112 pin 5 is the same as that on U112 pin 3.

23. Set the HP 8560A to a SPAN of 100 kHz.

---

**Note**

A14U112 is a sample-and-hold IC that stores the phase-lock error voltage during offset sweeps ( $\leq 100$  kHz). Refer to Function Block AD of A14 Frequency Control Schematic (sheet 5 of 5). When the loop is locked, U112 is in the hold mode and U112 pin 8 should be low.

---

24. Trigger a dual-trace oscilloscope from U112 pin 8 (OFFHOLD), and observe the sample-and-hold action on U112 pins 3 and 5.

25. If ERRs 302 or 327 are displayed and the Offset Oscillator loop is locked, troubleshoot Roller MUX U305, MUX Amp U328, and MUX Gain Control Switch U326B. Refer to function block AG in A14 Frequency Control Schematic (sheet 5 of 5).

26. If U305, U328, and U326B are working properly, suspect a malfunction of the A3 Interface assembly or the W2 Control Cable.

### Transfer Oscillator PLL

The Transfer Oscillator PLL provides a synthesized signal from 65 MHz to 110 MHz in 50 kHz steps. This signal mixes with the Main Roller PLL's output, producing the roller IF at approximately 2 MHz. The roller IF is compared to the Offset Oscillator's divided output to phase-lock the main-roller oscillator.

1. Use an active probe (or sniff loop) connected to a spectrum analyzer to test for an output from the A14A102 Transfer Oscillator. The amplitude at TP301 should be approximately -4 dBm. Refer to function block AI of A14 Frequency Control Schematic (sheet 5 of 5).
2. The voltage at A14J302 pin 1, XFER OSC BIAS, should measure +7.5 Vdc  $\pm 1$  V.
3. If the Transfer Oscillator's output contains noise sidebands, phase noise, or jitter, troubleshoot switches Q102 and Q103 in function block AK and Q104 in function block AN.
4. Set the HP 8560A to the following settings:

CENTER FREQ .....300 MHz  
SPAN ..... 0 Hz

5. If the Transfer Oscillator's frequency at TP301 is 96.7 MHz  $\pm 2$  MHz, the oscillator is unlocked. Refer to function block AI of A14 Frequency Control Schematic (sheet 5 of 5) in the Component-Level Information binder.
6. If the Transfer Oscillator frequency is not within the range in step 5, short A14A102 pin 12.
7. If the Transfer Oscillator frequency is not 96.7 MHz  $\pm 1$  MHz, check that the Transfer Oscillator pretune voltage at J302 pin 13 is +13.6 Vdc  $\pm 1.8$  V.

8. If the pretune voltage is not within the range in step 5, check U119A, U122A, Q102, Q103 and the Transfer Oscillator Pretune DAC address decoder, U302. Refer to function block AK of A14 Frequency Control Schematic (sheet 5 of 5).
9. If the Offset Roller is locked, then the address decoder is correct; U302 decodes a single address for both the Offset Oscillator Pretune DAC and the Transfer Oscillator Pretune DAC.
10. If the pretune voltage is within the range in step 5, the A14A102 Transfer Oscillator is probably defective.
11. Remove the short from A14A102.
12. If the Transfer Oscillator's frequency, measured at A14TP301, is  $96.7 \text{ MHz} \pm 2 \text{ MHz}$ , set the HP 8560A to the following settings:

```

CENTER FREQ ..... 87.3 MHz
SPAN ..... 0 Hz

```

13. Use a frequency counter/X10 oscilloscope probe combination to measure the frequency at U127 pin 3. (Place the counter in the high-input impedance mode.)
14. The measured frequency should equal the Transfer Oscillator frequency divided by 32.
15. Confirm that U127 pin 1 is high. The signal amplitude at U127 pin 3 is  $\geq 1 \text{ Vp-p}$ .
16. Set the HP 8560A to the following settings:

```

CENTER FREQ ..... 300 MHz
SPAN ..... 0 Hz

```

**Note** Integrated circuit U124 contains the reference dividers, VCO dividers, phase detector, and modulus (pre-scaler) control circuitry. Refer to function block AH of A14 Frequency Control Schematic (sheet 5 of 5) in the Component-Level Information binder.

17. Check for narrow ( $< 1 \mu\text{s}$ ) pulses  $20 \mu\text{s}$  apart at U124 pin 18 (reference divider output) and pin 15 (VCO divider output).
18. Short U126 pin 3 to ground. The voltage at U126 pin 1 should be  $< -9.5 \text{ Vdc}$ .
19. Short U126 pin 2 to ground. The voltage at U126 pin 1 should be  $+9.5 \text{ Vdc}$ .
20. If ERR 303 is displayed and the Transfer Oscillator loop is locked, troubleshoot Roller MUX U305, MUX Amp U328, and MUX Gain Control Switch U326B. Refer to function block AG in A14 Frequency Control Schematic (sheet 5 of 5).
21. If U305, U328, and U326B are working properly, suspect a malfunctioning A3 Interface Assembly or W2 Control Cable.

## Main Oscillator PLL

The Main Oscillator PLL provides an output signal in the range of 63 MHz to 106 MHz. This signal is the reference to the YTO PLL. The Sampler IF signal from the A15 RF assembly is compared to this signal in the YTO Loop providing an error voltage to phase-lock the YTO.

The Main Oscillator PLL's sample-and-hold function is performed digitally using two DACs, U113A Coarse Adjust and U113B Fine Adjust. When the Main Roller Oscillator is locked after retrace and before the start of a Main Roller span, these DACs are adjusted to zero. When the PLL error voltage is zero it provides no frequency correction and can thus be disconnected (via switch U116A) without affecting the Main Roller frequency. The span ramp is then applied to sweep the Main Roller over the desired range.

Assuming the DACs and their address decoder are working properly, suspect a bad calibration performed in the power-on sequence, an unstable Main Roller loop or Oscillator, or an intermittent failure in the Main Roller PLL circuitry.

---

**Note** Before proceeding with the following steps, confirm that the Roller Oscillator PLL's Transfer Oscillator PLL and Offset Oscillator PLL loops are locked.

---

1. Measure the signal power at A14J304. The signal should measure greater than -33 dBm.
2. Measure the signal at A14TP305. The signal's nominal power should measure -16 dBm.
3. If the output of A14TP305 is not correct, confirm that the voltage at J303 pin 1, Out Amp Bias, is between +3 Vdc and +6 Vdc. Refer to function block AO of A14 Frequency Control Schematic (sheet 5 of 5) in the Component-Level Information binder.
4. Confirm that the voltage at J303 pin 2, Main Osc Bias, is +8 Vdc  $\pm$ 1 V.
5. Set the HP 8560A to the following settings:  
CENTER FREQ .....300 MHz  
SPAN ..... 0 Hz
6. Confirm that the voltage at A14A103 pin 14, TUNE+, is +12.6 Vdc  $\pm$ 1.4 V. Refer to function blocks AO and AN of A14 Frequency Control Schematic (sheet 5 of 5).
7. If TUNE+ is within range, short A14A103 pin 12 to ground.
8. Measure the frequency at C345 (lead closest to mixer U117) with a frequency counter and a x 10 oscilloscope probe.
9. If the frequency is not within 94.7 MHz  $\pm$ 1 MHz, the Main Roller Oscillator, A14A103, is probably defective.
10. Set the HP 8560A to the following settings:  
CENTER FREQ ..... 300 MHz  
SPAN ..... 0 Hz
11. Measure the PLL's IF amplitude at U109 pin 1 with an oscilloscope and a  $\times$ 10 oscilloscope probe. A 50 mV signal at approximately 2 MHz should be observed.
12. If the PLL's IF is not correct, check for Transfer Oscillator drive at U117 pin 1 (-13 dBm nominal drive).

13. If the Transfer Oscillator drive signal is not present, check the XFER AMP BIAS at J303 pin 3. The voltage should measure +2 Vdc to +4 Vdc.
14. Check that the voltage at U424B pin 7 is nominally -14 Vdc. Diodes CR302 and CR303 form a PIN diode switch that turns off the Transfer Oscillator drive to the mixer in Main Roller Spans (100 kHz < LO Span  $\leq$  1 MHz). Refer to function block AI of A14 Frequency Control Schematic (sheet 5 of 5).
15. Check that control signal XFEROSCSW is near 0 V (U424B pin 5). If XFEROSCSW is not near 0 V, check the Roller Interface Latch U401 and its address decoder U303. Refer to function block AG of A14 Frequency Control Schematic (sheet 5 of 5) and function block B of A14 Frequency Control Schematic (sheet 2 of 5).
16. If the signal amplitude at U109 pin 1 (refer to step 11) is within range and near 2 MHz in frequency, measure the signal with an oscilloscope at U109 pin 7. The voltage should nominally be 100 mVp-p.
17. The waveform at U106 pin 7 should be a square wave with a lower limit between 0 V and +0.5 V and an upper limit between +3 V and +5 V. Refer to function block AL of A14 Frequency Control Schematic (sheet 5 of 5).
18. The signal at U105 pin 1 should have a similar waveform as U106 pin 7, but may be different in amplitude from the Offset Oscillator Dividers U103 and U104.
19. The Offset Oscillator Divider, function block AJ, is probably at fault if the signal at U105 pin 1 is not present and the Offset Roller is locked.
20. If the input signals to the Main Roller Phase Detector U105 (measured in steps 17 and 18) are in range, check for narrow (<0.1  $\mu$ s) pulses 0.5  $\mu$ s apart on U105 pins 2 and 13.
21. Short U115B pin 5 to ground and check that U115B pin 7 is nominally -9.1 Vdc.
22. Short U115B pin 6 to ground and check that U115B pin 7 is nominally +9.1 Vdc.
23. If ERR 304 is displayed and the Main Oscillator PLL is locked, troubleshoot Roller MUX U305, MUX Amp U328, and MUX Gain Control Switch U326B. Refer to function block AG in A14 Frequency Control Schematic (sheet 5 of 5).
24. If U305, U328, and U326B are working properly, suspect a malfunction of the A3 Interface Assembly or the W2 Control Cable.
25. Remove the jumpers.

---

## Unlocked Offset Lock Loop (Sampling Oscillator)

### Operation

The Offset Lock Loop drives the A15A2 Sampler. The Offset Lock Loop's sampling oscillator tunes to one of fifteen discrete frequencies between 280 MHz and 298 MHz. Refer to A15 Schematic (sheet 3 of 3). Mixer A15U400 mixes the oscillator's output with 300 MHz from the Reference PLL, producing a 2 MHz to 20 MHz IF signal. The 2 MHz to 20 MHz signal is divided down to 2 MHz or 2.5 MHz and compared in the phase/frequency detector with the divided-down 10 MHz from the Reference PLL. The phase/frequency detector drives a voltage-to-current (V/I) diode switch which drives the loop integrator. Loop bandwidth switches vary the loop bandwidth to minimize noise sidebands. The sampling oscillator must produce low noise because the A15A2 Sampler multiplies noise by a factor of approximately 24.

Table 10-15 lists the divide ratios and control-line settings for each of the 15 discrete frequencies to which the Offset Lock Loop may be set.

### Troubleshooting

1. Use an active probe and spectrum analyzer to confirm the presence of the following references to the Offset Lock Loop's input.

A15TP404	300 MHz at +5 dBm
A15TP408	10 MHz TTL-level

2. If either of these signals is not correct, refer to "Unlocked Reference PLL" in this chapter.
3. Force the PLL to unlock by shorting A15X201 pin 1 to A15X201 pin 5 with a short length of wire.
4. Connect a dc power supply to A15J200 pin 16.
5. Monitor A15TP201 with an active probe/spectrum analyzer combination. Vary the dc supply until the frequency of the sampling oscillator is 280 MHz.
6. The voltage required to tune the oscillator should measure between +2 Vdc and +8 Vdc. If the voltage is out of this range, perform the Sampling Oscillator Adjustment in Chapter 2.
7. Vary the voltage to tune the sampling oscillator to 280 MHz.
8. Use an active probe/spectrum analyzer combination to measure the 300 MHz LO signal at the following test point:

A15TP402	+7 dBm
----------	--------

9. If the signal is not measured near the indicated power, troubleshoot the Offset Lock Loop Buffer (function block AM of A15 RF Schematic sheet 3 of 3).





14. Measure the loop-IF signal at the input to the IF Amp./Limiter (function block AK):
 

U401 pin 2	20 MHz (approximately -6 dBm)
------------	-------------------------------
15. Confirm the presence of a 20 MHz square-wave signal at TP405. The square wave should go from +0.6 V to +2.2 V.
16. Set HP 8560A to the following settings:
 

CENTER FREQ	.....	369.3 MHz
SPAN	.....	0 Hz
17. Use an oscilloscope to confirm the presence of a 2.5 MHz TTL-level signal at TP406.
18. Confirm the presence of a 2.5 MHz TTL-level signal at TP407.
19. Force the loop's phase/frequency detector to a lock condition by unsoldering one end of R436. Resistor R436 is located at the base of Q402 in function block AK of A15 RF Schematic (sheet 3 of 3). This opens the path between the Sampling Oscillator and the phase/frequency detector.
20. If the dc power supply is connected to A15J200 pin 16, disconnect the power supply.
21. Connect A15TP406 to A15TP407. This forces both phase/frequency detector inputs to the same 2.5 MHz signal.
22. Observe the phase/frequency detector outputs, U406 pins 5 and 8, with an oscilloscope. Narrow TTL pulses should be present. Pin 5 is normally low, pulsing high, and pin 8 is normally high, pulsing low.
23. Check the cathode of CR401 with an oscilloscope. With the oscilloscope's input ac-coupled, a sawtooth waveform approximately 5 mVp-p should be present.
24. Short C441 with a wire jumper. This changes loop integrator into a voltage follower. Refer to function block AB of A15 RF Schematic (sheet 3 of 3).
25. The voltage at A15J200 pin 15 should measure +1.8 Vdc. Adjust A15R453 PHASE DET BIAS if necessary for +1.8 Vdc.
26. If the voltage at U408 pin 2 is not +1.8 Vdc, suspect U408.
27. Check the voltages at the following points:
 

A15U408 pin 6	+2 Vdc (approximately)
A15J200 pin 16	+2 Vdc (approximately)
28. Remove the jumpers.

---

## Unlocked Reference PLL

### Operation

The Reference PLL's 600 MHz output is generated by a 600 MHz SAWR (Surface Acoustical Wave Resonator) VCO. The SAWR provides a high Q feedback path in the oscillator ensuring good phase noise. If the oscillator is off-frequency, the phase-lock circuitry is probably at fault. If there is no signal present at A15J701, or if the level is less than -3 dBm, the oscillator has failed. Transistor Q703 provides active bias for oscillator transistor Q701. Transistor Q704 provides active bias for 600 MHz buffer amplifier Q702. Refer to function blocks Q and R of A15 RF Schematic (sheet 2 of 3).

### Troubleshooting

1. If Q701 and Q703 are functioning, check the bias on varactors CR701 and CR702. The varactors should be reverse-biased between 0 V and 18 V, depending on tune voltage.
2. If the active devices are functioning properly, check the SAWR by placing a 100-ohm resistor across U701 pins 1 and 2. This bypasses the SAWR, but provides the equivalent loss of a correctly functioning SAWR.
3. If the oscillator begins to oscillate, the SAWR is probably defective.
4. On the HP 8560A, press **AUX CTRL**, REAR PANEL, and 10 MHz **INT** .
5. Measuring tune line voltage (LO3 ERR) indicates if the Reference PLL is locked. Measure the voltage at A15J502 pin 3. Connect the ground lead to A15J502 pin 6.
6. If voltage is not between 0 V and 5.75 V the loop is unlocked and ERR 333 600 UNLK should be displayed on the CRT.
7. If the 600 MHz oscillator is working, the reason for the unlocked condition is either a problem in the 10 MHz Reference or a fault in the signal path around the loop.
8. On the HP 8560A, press **AUX CTRL**, REAR PANEL, and 10 MHz INT .
9. Check the 10 MHz reference frequency-accuracy by connecting a frequency counter to A15J301 and verify that the reference frequency is 10 MHz  $\pm 40$  Hz after a 5 minute warm-up period.
10. If a 10 MHz TTL level signal is not present, refer to the "10 MHz Reference" in Chapter 11.
11. Measure the signal on U504 pin 3 with an oscilloscope. Refer to function block 0 of A15 RF Schematic (sheet 2 of 3).
12. Measure the signal at U504 pin 11 with an oscilloscope. Refer to function block 0 of A15 RF Schematic (sheet 2 of 3).
13. If TTL-level signals (approximately 10 MHz) are not present, check signals backwards through the loop to find a fault in the signal path.
14. Use an oscilloscope to check for 10 MHz ECL level at U503 pin 3. Refer to function block X of A15 RF Schematic (sheet 2 of 3).

15. Measure the signals at the following test points with an active probe/spectrum analyzer combination such as an HP 85024A/HP 8566A/B. The signal level at TP701 should be sufficient to drive an ECL input.

TP506	50 MHz, $\geq +3$ dBm
U502 pin 15	300 MHz, $\geq +3$ dBm
TP503	300 MHz, approximately +8 dBm
TP502	300 MHz (ECL level), approximately +3 dBm
TP701	600 MHz

16. If an approximately 10 MHz TTL signal is present at U504 pin 11, and the RF portion of the phase-lock loop is functioning, the fault probably lies in the Phase/Frequency Detector or the 600 MHz Reference Loop Amplifier.
17. Monitor U504 pins 5 and 9 with an oscilloscope. These are the two outputs of the Phase/Frequency Detector. Refer to function block 0 of A15 RF Schematic (sheet 2 of 3).
18. A locked loop will exhibit stable, narrow (approximately 20  $\mu$ s wide), and positive-going TTL pulses occurring at a 10 MHz rate at U504 pins 5 and 9.
19. If the loop is unlocked, but signals are present on both inputs of the Phase/Frequency Detector, the outputs pulses will be superimposed on each other.
20. If the loop is unlocked, and there is no signal at one of the Phase/Frequency Detector inputs, one phase detector output will be at TTL low and the other will be at TTL high. For example, if there is no input signal at U504 pin 3, U504 pin 5 will be TTL low and U504 pin 9 will be TTL high. If there is no input signal at U504 pin 11, U504 pin 9 will be TTL low and U504 pin 5 will be TTL high.
21. To remove the 10 MHz reference input to the Phase/Frequency Detector, press **AUX CTRL**, REAR PANEL, and 10 MHz EXT with no signal applied to the rear-panel 10 MHz REF IN/OUT connector.
22. To remove the divided-down 600 MHz signal from the Phase/Frequency Detector, remove C519 from X501. Refer to Function Block W of A15 RF Schematic (sheet 2 of 3).
23. Remove 10 MHz reference input to the Phase/Frequency Detector by pressing **AUX CTRL**, REAR PANEL, and 10 MHz EXT. No signal should be connected to the rear-panel 10 MHz REF IN/OUT connector.

---

**Note** The outputs of Phase/Frequency Detector are low-pass filtered to reduce the 10 MHz component of the signal. The filtered signals are then integrated by U506 and the result is fed to the tune line of the 600 MHz oscillator.

---

24. Check that the voltage on A15J502 pin 3 is approximately -6 Vdc. Refer to function block P of A15 RF Schematic (sheet 2 of 3).
25. Press **AUX CTRL**, REAR PANEL, and 10 MHz INT and remove the divided-down 600 MHz input to the phase/frequency detector by removing C519 from X501.
26. Check that the voltage on A15J502 pin 3 is approximately 7 Volts.
27. Replace C519 in X501.
28. If the loop is locked, the voltage on A15J502 pin 3 should be between 0 V and +5.75 Vdc.

29. If the front-panel CAL OUTPUT amplitude is out of specification and cannot be brought within specification by adjusting A15R561, CAL AMPTD, check the Calibrator AGC Amplifier with the following steps. Refer to function block W of A15 RF Schematic (sheet 3 of 4).

---

**Note** The 300 MHz CAL OUTPUT signal comes from the divided down 600 MHz which is passed through a leveling loop. The 300 MHz signal passes through a low-pass filter for reducing higher harmonics. These harmonics can fool the detector. The 300 MHz signal passes through a variable attenuator controlled by PIN diode CR503 which is controlled by the feedback loop. Diode CR504 is the detector diode (the same type as CR505). Diode CR504 provides temperature compensation between the reference voltage and the detected RF voltage.

---

- a. Measure the level of 300 MHz at A15 TP505 with an active probe/spectrum analyzer combination. If the signal is less than +2 dBm, be sure to perform the beginning steps of this procedure.
  - b. If the signal at this point is correct, place a short across the PIN diode CR503.
  - c. If the signal level at the CAL OUTPUT is still less than -10 dBm with CR503 shorted out, troubleshoot the RF forward path through amplifier Q505.
  - d. If the CAL OUTPUT signal level is greater than -10 dBm, troubleshoot the PIN diode attenuator, the detector, or the feedback path.
30. Measure the detector voltage at A15J502 pin 14. The voltage should measure approximately +0.3 Vdc when the CAL OUTPUT signal is at -10 dBm. This voltage should change with adjustment of A15R561, CAL AMPTD.
31. Check that the voltage at U507A Pin 3 is +1.7 Vdc. If this voltage is not correct, there may be a problem with the +10 V reference.
32. Measure voltage at U507B pin 5 while adjusting R561. This is the temperature-compensated adjustable voltage reference to which the detected voltage is compared. It should vary between +1.3 V and -0.6 V.
33. Adjust R561 to its limits and verify that the output U507B pin 7 measures approximately +9 Vdc at one limit and -12 Vdc at the other limit.

### Third LO Driver Amplifier

The Third LO Driver Amplifier (Q503) amplifies the 300 MHz from the 600 MHz phase-lock loop to a sufficient level to drive the LO port of the Double Balanced Mixer. During the SIG ID operation, diodes CR501 and CR502 turn off the 3rd LO Driver Amplifier in order to minimize the amount of 300 MHz going to the double-balanced mixer.

1. Press **AUX CTRL**, INTERNAL MIXER , and SIG ID OFF.
2. Use an active-probe/spectrum-analyzer combination to confirm the power level of the 300 MHz signal at the following test points:

A15TP602	$\geq +7$ dBm
A15TP504	$\geq +15$ dBm

3. If the signal at A15TP602 is low, but the signal at A15TP504 is correct, press **AUX CTRL**, **INTERNAL MIXER**, and **SIG ID OFF**.
4. Check that PIN diode switches CR603 and CR605 are reverse biased by approximately +10 Vdc. Refer to function block F of A15 RF Schematic (sheet 1 of 3).
5. Measure 300 MHz signal at A15TP503 using an active probe/spectrum analyzer combination. If the signal is not approximately +10 dBm, refer to “Unlocked Reference PLL” in this chapter.
6. If the level at the TP503 is correct, but signal at TP504 is too low, the fault is probably in the amplifier.

## Sampler and Sampler IF

The A15A2 Sampler creates and mixes harmonics of the sampling oscillator with the first LO. The resulting sampler IF (63 MHz to 105 MHz) is used to phase-lock the YTO. The Sampler IF filters unwanted products from A15A2's output and amplifies the IF to a level sufficient to drive the YTO loop. When the IF is between 78 and 87 MHz, PIN diodes switch a 120 MHz notch filter in the sampler IF section.

1. Set HP 8560A to the following settings:

CENTER FREQ .....300 MHz  
SPAN ..... 0 Hz

2. Disconnect W32 from A15J101.
3. Connect the input of a power splitter to A15J101. Connect W32 to one of the splitter outputs. Connect the other splitter output to the input of another spectrum analyzer.
4. If a 94.7 MHz signal, greater than -15 dBm, is not displayed on the other spectrum analyzer, set a microwave source to the following settings:

Frequency ..... 4.2107 GHz  
Amplitude ..... -5 dBm

5. Connect the microwave source to A15A2J1. A 94.7 MHz signal at approximately 0 dBm should be displayed on the other spectrum analyzer.
6. Use an active probe/spectrum analyzer combination to measure the signal at the following test points:

A15TP101	94.7 MHz, -25 dBm
A15TP201	294 MHz, +17 dBm

7. If a correct signal is seen at A15TP201 but the signal at A15TP101 is wrong, proceed as follows:

Use an oscilloscope to measure the signals at the following test points:

A15J400 pin 1	+1.8 Vdc to +2.4 Vdc ( $\leq 0.5$ Vp-p variation)
A15J400 pin 3	-1.8 Vdc to -2.4 Vdc ( $\leq 0.5$ Vp-p variation)

If these levels are wrong, perform the “Power and Sampler Match Adjustments” in the Sampler Oscillator Adjustment procedure. Refer to Chapter 2.

If adjusting the Sampler Match does not bring the signal at A15TP101 within specification when the signal at A15TP201 is correct, the A15A2 Sampler is defective.

8. If the signal at A15TP101 is correct, but the signal at A15J101 is wrong, the fault lies in the Sampler IF circuitry. Continue with the following steps.

9. Set the HP 8560A to the following settings:

CENTER FREQ	.....	300 MHz
SPAN	.....	0 Hz

10. Set a microwave source to the following settings:

Frequency	.....	4.2107 GHz
Amplitude	.....	-5 dBm

11. Connect the microwave source to A15A2J1.

12. Measure the signal at U103 pin 1 using an active probe/spectrum analyzer combination.

13. If a 94.7 MHz signal, approximately -14 dBm, is present, but the signal at A15J101 is low, suspect U103.

14. When U104 pin 3 is at TTL low, U104 pin 6 should near -15 Vdc and PIN diodes CR101, CR102, and CR103 should be reverse-biased.

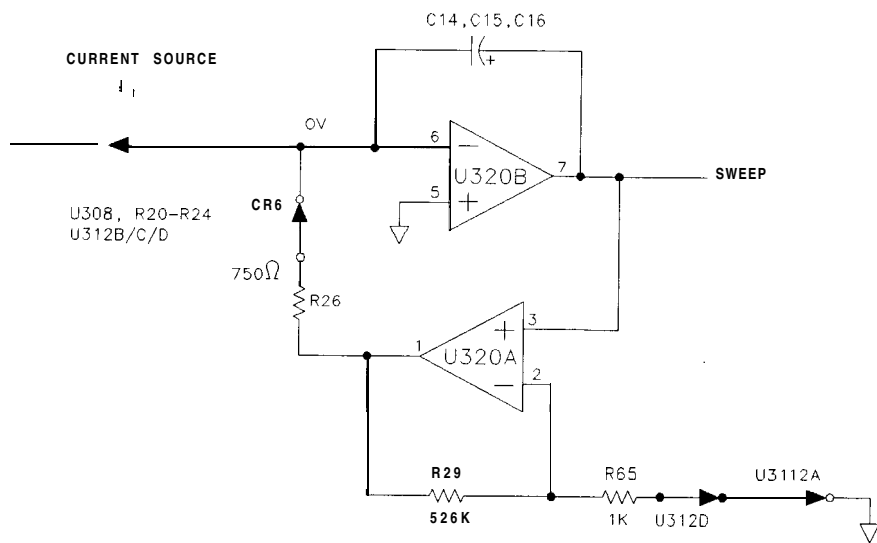
15. Set HP 8560A to the following settings:

CENTER FREQ	.....	89.3 MHz
SPAN	.....	0 Hz

16. Check that U104 pin 3 is at a TTL high and U104 pin 6 is greater than +7 V. PIN diodes CR101, CR102, and CR103 should all be turned on with about 7 mA of forward current.

17. Disconnect the power splitter and reconnect W32 to A15J101.

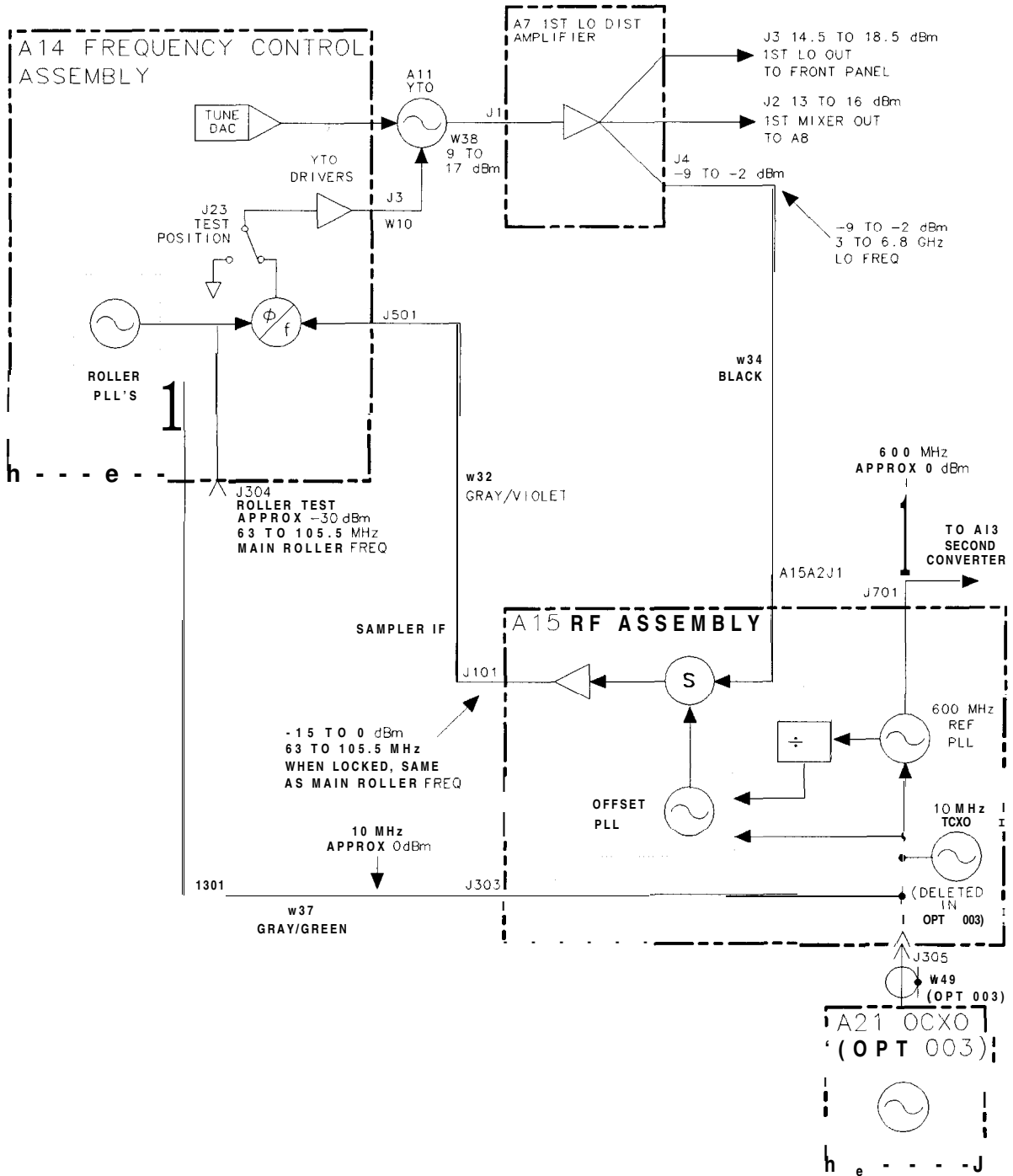




SK1110

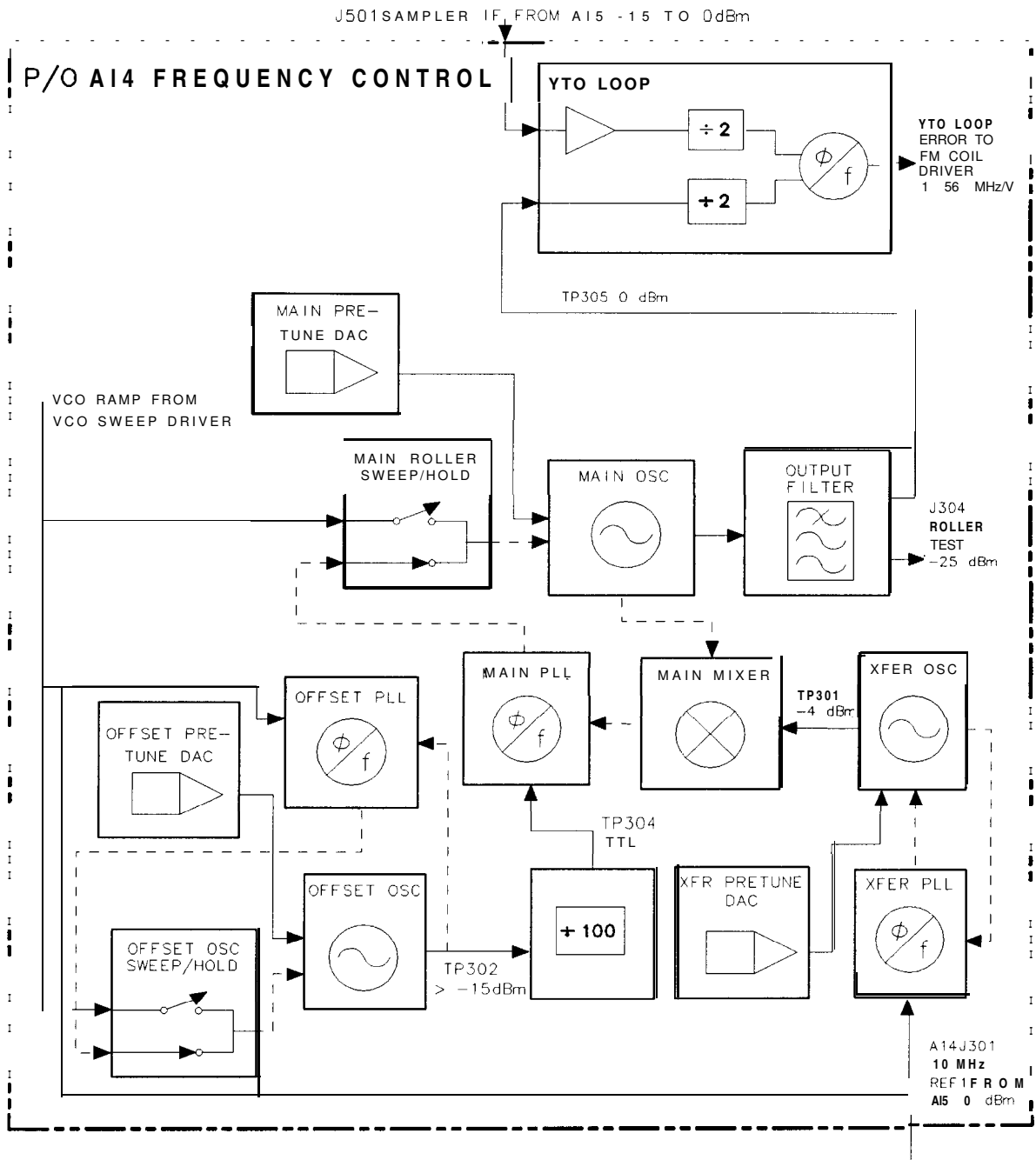
Figure 10-10. Simplified Sweep Generator during Retrace





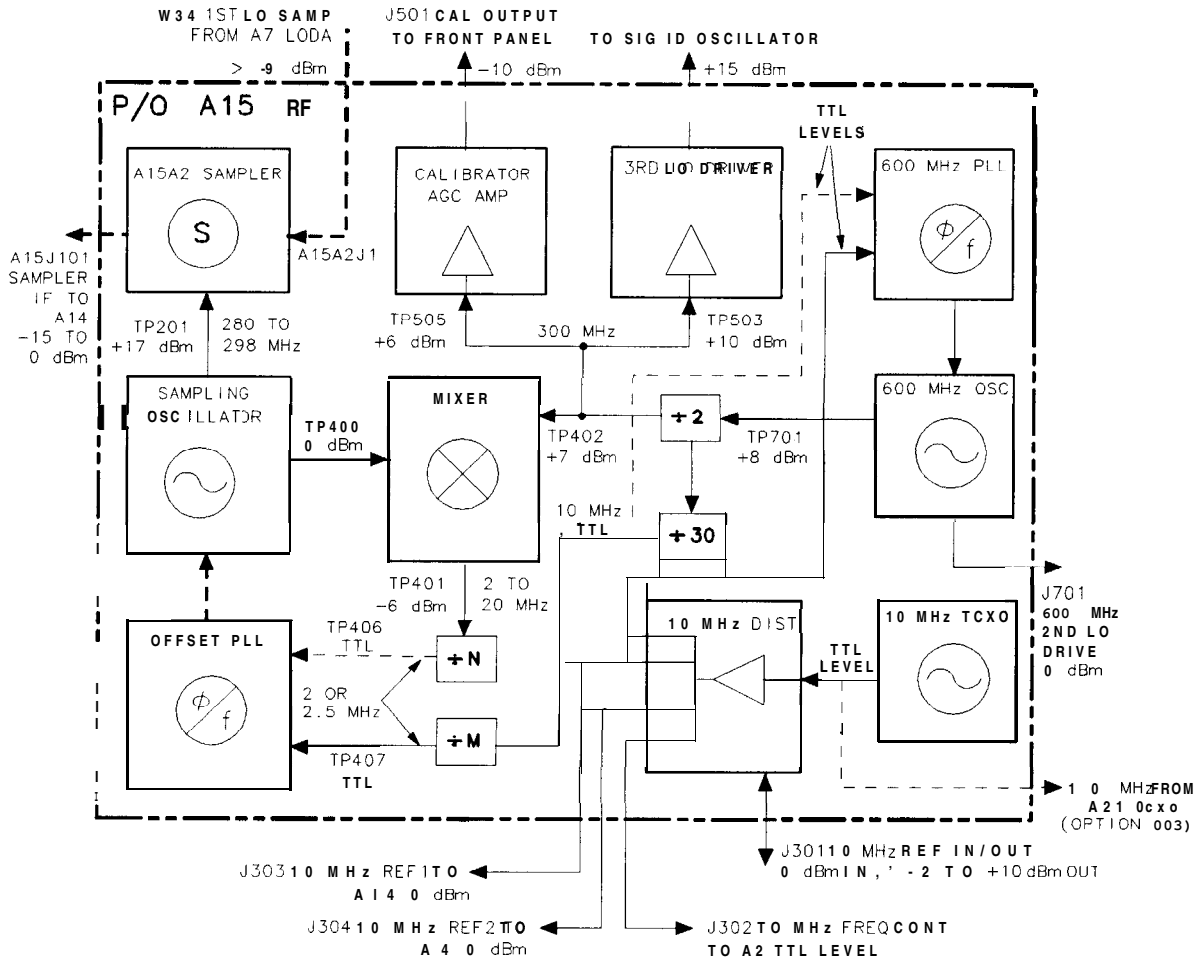
SK1111

Figure 10-I 1. Simplified Synthesizer Section



SK1112

Figure 10-12. Simplified A14 Assembly Block Diagram



SK1113

Figure 10-13. Simplified A15 Assembly Block Diagram

---

## A21 OCXO (Option 003 only)

Spectrum analyzers with Option 003, Precision Frequency Reference, use an oven-controlled crystal oscillator (OCXO) instead of the standard temperature compensated crystal oscillator (TCXO), located on the A15 RF assembly. Jacks J305 and J306 on the A15 RF assembly are located where the TCXO would normally be installed.

The oven in the OCXO is powered only when the spectrum analyzer is powered on; there is no standby mode of operation. The OCXO's oscillator operates only when the internal frequency reference is selected. Control line HEXT (High = EXTERNAL frequency reference) is inverted by A15U303B (Refer to the A15 RF Assembly Schematic Diagram, Block M, sheet 2 of 4) to generate LEXT. LEXT is sent to the OCXO via A15J306 pin 4. When LEXT is low, the oscillator in the OCXO will be turned off.

Replacement OCXOs are factory adjusted after a complete warmup and after the specified aging rate has been achieved. Thus, readjustment should typically not be necessary after OCXO replacement, and is generally not recommended.

If adjustment is necessary, the spectrum analyzer must be ON continuously for a minimum of 24 hours immediately prior to oscillator adjustment to allow both the temperature and frequency of the oscillator to stabilize. Failure to allow sufficient stabilization time could result in oscillator misadjustment.

Check operation of the A21 OCXO as follows:

1. Disconnect W49 (Coax 82) from A15J305. Connect the output of W49 to the input of another spectrum analyzer.
2. Check that the fundamental frequency is 10 MHz and that the power level is 0 dBm  $\pm 3$  dB. Also check that the harmonics are at least -25 dBc. Excessive harmonics can generate spurious responses on the roller oscillators on the A14 Frequency Control assembly.
3. If the OCXO has no output, check A15J306 pin 1 for +15 Vdc. Check A15J306 pin 4 for a TTL-high level.
4. If A15J306 pin 4 is at a TTL-low level, press **AUX CTRL** and REAR PANEL. Press 10 MHz EXT INT until INT is underlined. A15J306 pin 4 should read a TTL-high level. Press 10 MHz EXT INT until EXT is underlined. A15J306 pin 4 should read a TTL-low level.

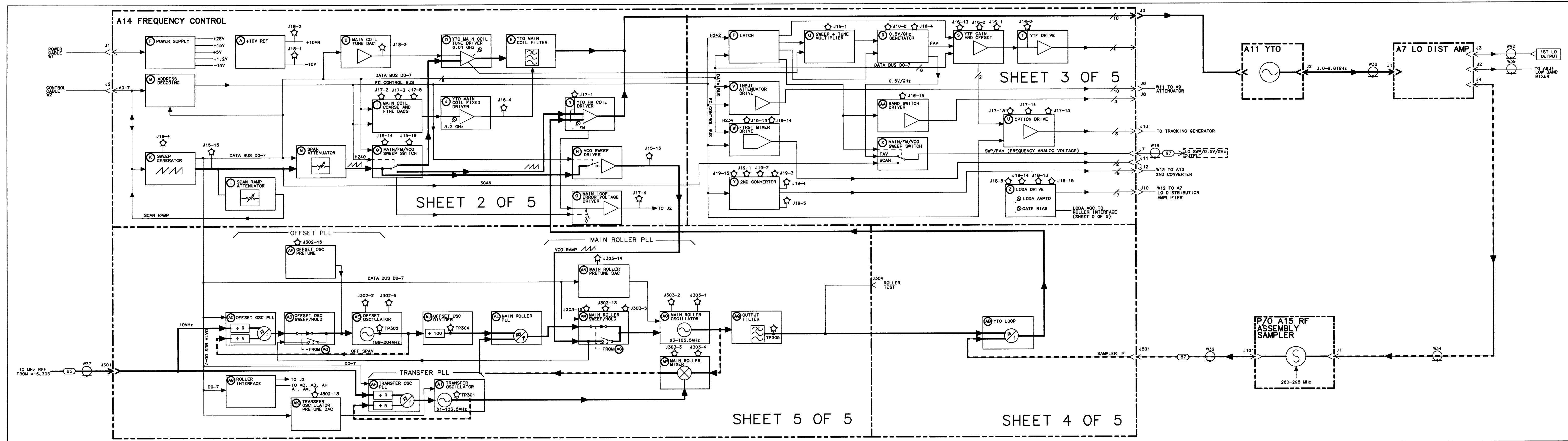
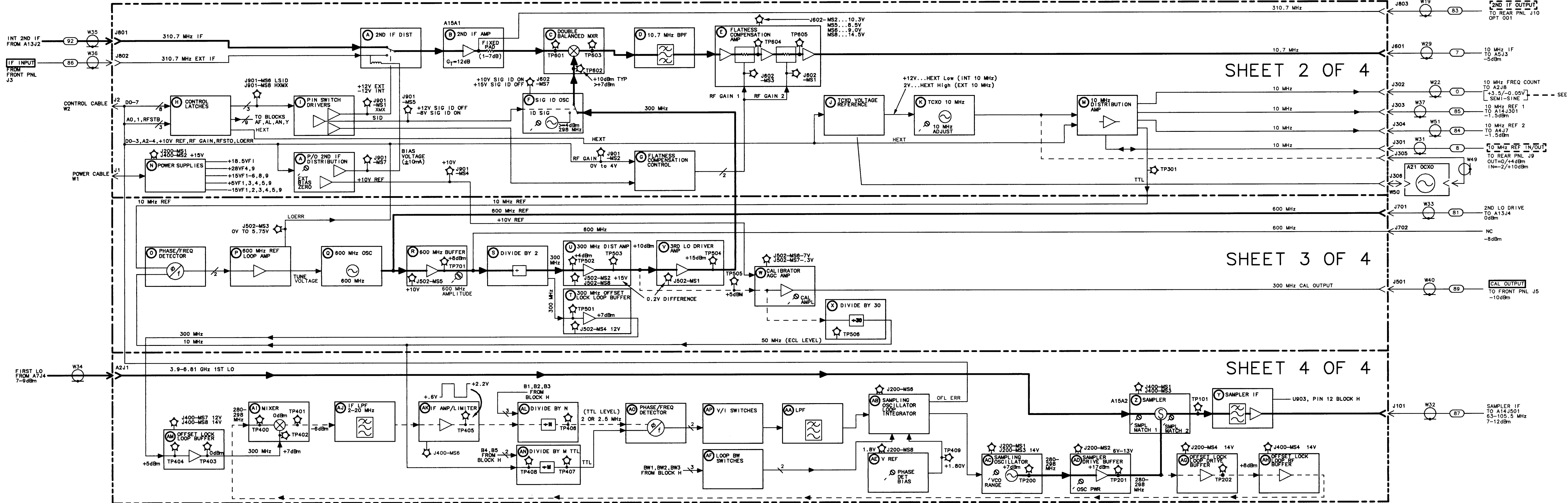


FIGURE 10-14. FREQUENCY CONTROL BLOCK DIAGRAM

RF ASSEMBLY BLOCK DIAGRAM





## RF Section

---

The RF Section converts the input signal to a 10.7 MHz IF (Intermediate Frequency). See Figure 11-5 for a detailed section block diagram.

**Note** The block diagrams for the A14 and A15 assemblies are located in Chapter 10, Synthesizer Section.

	Page
Troubleshooting Using the TAM .....	11-2
Low Band Problems (50 Hz to 2.9 GHz) .....	11-4
Low Band Problems .....	11-5
A7 LODA (LO Distribution Amplifier) .....	11-6
A9 Input Attenuator .....	11-7
A13 Second Converter .....	11-8
A14 Frequency Control Assembly .....	11-9
A7 LODA Drive .....	11-9
A15 RF Assembly .....	11-10
Confirming a Faulty Third Converter .....	11-10
Confirming Third Converter Output .....	11-11
Third Converter .....	11-11
Flatness Compensation Control .....	11-13
Control Latches .....	11-13
SIG ID Oscillator .....	11-13
10 MHz Reference .....	11-14
A10 Tracking Generator (Option 002) .....	11-18
Block Diagram Description .....	11-18
Output Goes Unleveled (ERR 900 or ERR 901) .....	11-19
Excessive Residual FM .....	11-20
Flatness Out-of-Tolerance .....	11-21
Vernier Accuracy Out-of-Tolerance .....	11-21
Harmonic/Spurious Outputs Too High .....	11-22
Power Sweep Not Functioning Properly .....	11-23
No Power Output .....	11-23

**Caution** All of the RF assemblies are extremely sensitive to Electrostatic Discharge (ESD). For further information regarding electrostatic cautions, refer to “Electrostatic Discharge Information” in Chapter 1.

---

---

**Caution**

Use of an active probe, such as an HP 85024A, with another spectrum analyzer is recommended for troubleshooting the RF circuitry. If an HP 1120A Active Probe is being used with a spectrum analyzer, such as the HP 8566A/B, HP 8569A/B and the HP 8562A/B, having dc coupled inputs, either set the active probe for an ac coupled output or use a dc blocking capacitor (HP 11240B) between the active probe and the spectrum analyzer input.

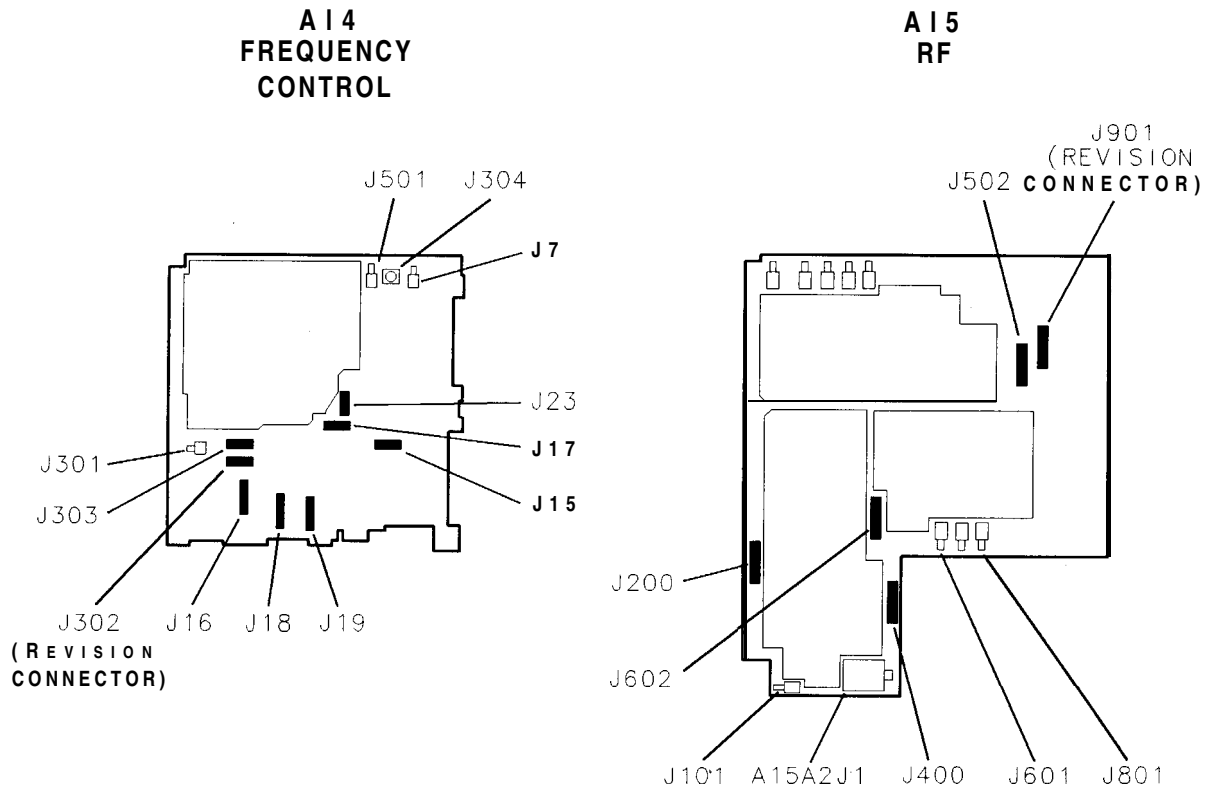
---

---

**Troubleshooting Using the TAM**

When using Automatic Fault Isolation, the TAM indicates suspected circuits that need to be manually checked. Use Table 11-2 to locate the manual procedure.

Table 11-1 lists assembly test connectors associated with each Manual Probe Troubleshooting test. Figure 11-1 illustrates the location of A15's test connectors.



SK1114

**Figure 11-1. A14 and A15 Test Connectors**



**Table 11-I. Automatic Fault Isolation References**

<b>Suspected Circuit Indicated by Automatic Fault Isolation</b>	<b>Manual Procedure to Perform</b>
Check 2nd IF Amplifier	Third Converter
Check 2nd IF Distribution	Third Converter
Check 10.7 MHz IF Out of Double Balanced Mixer	Third Converter
Check 300 MHz CAL OUTPUT	Calibrator Amplitude Adjustment in Chapter 2
Check A7 1st LO Distribution Amplifier	A7 LODA (LO Distribution Amplifier)
Check A9 Input Attenuator	A9 Input Attenuator
Check A13 Second Converter	A13 Second Converter
Check A13J2 INT 2nd IF	A13 Second Converter ( <i>steps 1 to 6</i> )
Check A15 Control Latches	Control Latches
Check A15J601 10.7 MHz	Third Converter Output
Check External 10 MHz Reference Operation	10 MHz Reference ( <i>steps 5 to 11</i> )
Check Gain of Flatness Compensation Amplifier	Third Converter
Check INT 10 MHz Reference Operation	10 MHz Reference ( <i>steps 1 to 4</i> )
Check LO Feedthrough	Low Band Problems (1 kHz to 2.9 GHz) ( <i>steps 1 to 3,</i>
Check LO Power	Low Band Problems ( <i>steps 4 to 9</i> )
Check PIN Switch	PIN Switch
Check PIN Switches in SIG ID Oscillator	SIG ID Oscillator
Check Second Converter Control	A13 Second Converter
Check SIG ID Oscillator	Signal ID Oscillator Adjustment in Chapter 2
Check SIG ID Oscillator Operation	SIG ID Oscillator
Check Third Converter	Low Band Problems ( <i>step 10</i> )

**Table 11-2. TAM Tests versus Test Connectors**

Connector	Manual Probe Troubleshooting Test	Measured Signal Lines
A14J17	Main Coil Course DAC	MS3
A14J18	LODA Drive	MS5, MS6, MS7, MS8
A14J19	Second Conv PIN Switch	MS8
	Second Conv Mixer Bias	MS1
	Second Conv Drain Bias	MS3
	Second Conv Doubler Bias	MS4
	Second Conv Driver Bias	MS5
	First Mixer Drive Switch	MS7
	First Mixer Drive DAC	MS6
A14J302	Revision	MS7
A15J400	IF AMP/Limiter Bias	MS6
A15J502	Third LO Tune Voltage	MS3
	3rd LO Driver Amp	MS1, MS8
A15J602	SIG ID Collector Bias	MS7
	RF Gain Control Test	MS1, MS3
A15J901	Revision	MS3
	External Mixer Switch	MS1, MS8
	Signal ID Switch	MS5, MS6
	External Mixer Bias	MS7
	RF Gain Test	MS2

---

## Low Band Problems (50 Hz to 2.9 GHz)

1. Disconnect all inputs from the front-panel INPUT 50Ω connector.
2. Set the HP 8560A to the following settings:

CENTER FREQ ..... 0 Hz  
 SPAN ..... 1 MHz  
 INPUT ATTEN ..... 0 dB

3. The LO feedthrough's amplitude observed on the display should be between -6 and -30 dBm.

---

**Note** The marker will not PEAK SEARCH on the LO Feedthrough when in a non-zero span. To measure the LO Feedthrough amplitude with the markers, set the SPAN to 0 Hz and CENTER FREQ to 0 Hz. Press **MKR** ON.

---

4. If the LO feedthrough's amplitude is within limits, but signals are low, the RF path following the A8 Low Band Mixer is operating properly.
5. If the LO feedthrough's amplitude is higher than -5 dBm (signal will be "clipped" at top of screen) and signals are low in amplitude, suspect a defective A8 Low Band Mixer.

6. Check A13 Second Converter mixer diode bias at A14J19 pin 1. The bias voltage should be between -150 and -900 mVdc.
7. Troubleshoot the signal path. Refer to the power levels listed on Figure 11-3, RF Section Troubleshooting.

---

## Low Band Problems

1. On the HP 8560A press **PRESET** and REALIGN LO & IF . If any error messages are displayed, refer to “Error Messages” in Chapter 6.
2. Perform External Mixer Amplitude Adjustment in Chapter 2. If this adjustment cannot be completed, perform the steps located in “Third Converter” in this chapter.
3. Perform the First LO Output Amplitude performance test (Refer to the HP 8560A Installation and Verification manual or use TAM functional test).
4. If the performance test fails, perform the First LO Distribution Amplifier adjustment located in Chapter 2. If the adjustment fails, set the HP 8560A to the following settings:
 

CENTER FREQ	.....	300 MHz
SPAN	.....	0 Hz
5. Place the jumper on A14J23 in the TEST position. Remove W38 from the input of the A7 LODA.
6. Use a power meter or another spectrum analyzer to measure the output of All YTO. The power should be between +9 dBm and +13 dBm.
7. Reconnect W38 to the LODA. Place the jumper on A14J23 in the NORM position.
8. If ERR 334 (uhLevelled output) is present and the All YTO power output is correct, the A7 LODA drive circuit may be defective. Refer to “A7 LODA (LO Distribution Amplifier)” in this chapter.
9. Troubleshoot the signal path. Refer to the power levels listed on Figure 11-5, RF Section Troubleshooting.
10. Check Third Converter as follows:
  - a. On the HP 8560A, press **PRESET** and set the controls as follows:
 

CENTER FREQ	.....	300 MHz
SPAN	.....	0 Hz
  - b. Inject a -28 dBm, 310.7 MHz signal into A15J801.
  - c. If a flat line is displayed within 2 dB of the reference level, but the External Mixer Amplitude Adjustment fails, troubleshoot the A15 RF Assembly.

---

## A7 LODA (LO Distribution Amplifier)

---

**Note** YTO unlock errors may occur if the power delivered to the A15A2 Sampler is less than -9.5 dBm. Frequency response will be degraded in both internal and external mixing modes if the output power is low or unlevelled.

---

**Caution** Connecting or disconnecting the A7 LODA's bias with the HP 8560A **LINE** switch on will destroy the A7 LODA. Always set the HP 8560A (LINE) switch off before removing or reinstalling W12 to either the A7 LODA or A14J10.

---

**Note** Error 334 may be displayed if the LO OUTPUT connector on the front panel is not properly terminated into a 50Ω termination.

---

1. Set the HP 8560A's (LINE) switch to off. Disconnect W12 from A14J10.
2. Connect a jumper between A14J10 pin 5 and A14J19 pin 6. Connect a jumper between A14J18 pin 13 and A14J18 pin 1.
3. Connect a DVM's positive lead to A14J18 pin 14 and the negative lead to A14J18 pin 6.
4. Set the HP HP 8560A's **LINE** switch to on.
5. The voltage measured on the DVM should be more negative than -9.4 Vdc.
6. Move the jumper from A14J18 pin 1 to A14J18 pin 2. The voltage measured on the DVM should be more positive than +12.3 Vdc.
7. If the voltages do not meet the limits listed in steps 4 and 5, troubleshoot the A14 Frequency Control assembly.
8. Connect the positive DVM lead to A14J10 pin 1.
9. The measured voltage should be approximately +5 Vdc. If the voltage is not +5 Vdc, troubleshoot the A14 Frequency Control Assembly.
10. Connect the DVM's positive lead to A14J18 pin 1. The voltage should measure within 5% of the GATE BIAS voltage listed on A7 LODA's label.
11. If this voltage is not within this range, rotate A14R628 GATE BIAS through its range while monitoring the DVM.
12. If the voltage varies between 0 Vdc and -2 Vdc, adjust A14R628 GATE BIAS for a DVM reading within 5% of the GATE BIAS voltage listed on A7 LODA's label. If the voltage does not vary between 0 Vdc and -2 Vdc, troubleshoot the A14 Frequency Control assembly.
13. Disconnect the jumper from A14J19 to A14J10. Set the **LINE** switch off. Reconnect W12 to A14J10. Set the (LINE) switch on.
14. If the DVM reading changes significantly, the A7 LODA is probably defective.

## A9 Input Attenuator

1. Perform the Input Attenuator Accuracy test in Chapter 3 of the Installation and Verification Manual.
2. If there is a step-to-step error of approximately 10 dB or more, continue with step 3.
3. On the HP 8560A press **AMPLITUDE**, and **ATTEN AUTO MAN** until **MAN** is underlined.
4. Step the RF **ATTEN** from 0 dB to 70 dB. A “click” should be heard at each step. The absence of a click indicates faulty attenuator drive circuitry.
5. Monitor the pins of A14U420 with a logic probe or DVM while setting **ATTEN** to the values listed in Table 11-3.

**Note** The logic levels listed in Table 11-3 show the default AC usage (Pin 5 low, Pin 6 high). DC usage (Pin 5 high, Pin 6 low) is not shown.

6. If one or more logic levels listed in Table 11-3 is incorrect, disconnect W11 from A14J6 and repeat step 4 checking only pins 3, 5, 11, and 13 of A14U420. Pins 4, 6, 10, and 12 should all read low TTL levels.
7. If one or more logic levels listed in Table 11-3 is incorrect with W11 disconnected, troubleshoot the A14 Frequency Control assembly.
8. If all logic levels are correct, the A9 Input Attenuator is probably defective.

**Table 1 I-3. Attenuator Pin Values**

ATTEN Setting (dB)	A14U420 Pin Number							
	3 20 dB	4 20 dB	5 DC	6 AC	10 40 dB	11 40dB	12 10 dB	13 10 dB
0	high	low	low	high	low	high	low	high
10	high	low	low	high	low	high	high	low
20	low	high	low	high	low	high	low	high
30	low	high	low	high	low	high	high	low
40	high	low	low	high	high	low	low	high
50	high	low	low	high	high	low	high	low
60	low	high	low	high	high	low	low	high
70	low	high	low	high	high	low	high	low

---

## AI3 Second Converter

---

**Caution** The AI3 assembly is extremely sensitive to Electrostatic Discharge (ESD). For further information regarding electrostatic cautions, refer to “Electrostatic Discharge Information” in Chapter 1.

---

1. Connect the HP 8560A CAL OUTPUT to INPUT 50ohm.
2. Set the HP 8560A to the following settings:  
    CENTER FREQ .....300 MHz  
    SPAN ..... 0 Hz  
    ATTEN ..... 0 dB
3. Disconnect W35 from A13J2.
4. Connect a test cable from A13J2 to the input of another spectrum analyzer.
5. Tune the other spectrum analyzer to 310.7 MHz. The signal displayed on the other spectrum analyzer should be approximately -28 dBm.
6. Remove the test cable from A13J2 and reconnect W35 to A13J2.
7. Disconnect W33 from A13J4 and connect W33 through a test cable to the input of another spectrum analyzer.
8. Tune the other spectrum analyzer to a center frequency of 600 MHz.
9. If a 600 MHz signal is not present, or its amplitude is less than -5 dBm, the fault is probably on the A15 RF Assembly.
10. Reconnect W33 to A13J4.
11. Connect a DVM's positive lead to A14J19 pin 15 and the negative lead to A14J19 pin 6.
12. If the DVM does not measure between +14.0 Vdc and -15.0 Vdc perform the following:
  - a. Set the HP 8560A's (LINE) switch off and disconnect W13 from A14J12.
  - b. Set the HP 8560A's **(LINE)** switch on and set the analyzer to the following settings:  
    CENTER FREQ ..... 300 MHz  
    SPAN .....10 MHz
  - c. The voltage should measure +15 Vdc +/-0.2 V. If the voltage measures outside this limit, the A14 Frequency Control Assembly is probably defective.
  - d. Set the HP 8560A's **(LINE)** switch off, reconnect W13 to A14J12, and set the **(LINE)** switch on. Set the HP 8560A to the following settings:  
    CENTER FREQ ..... 300 MHz  
    SPAN ..... 0 Hz
13. Move the DVM's positive lead to A14J19 pin 1. The voltage should measure between -150 mVdc and -900 mVdc. If the voltage measures outside this limit, measure the voltages on A14J19 pin 2 and pin3.
14. The voltage on A14J19 pin 2 should be 150 mV to 200 mV more positive than on A14J19 pin 3. If the voltage difference is not within this limit, the AI3 Second Converter is probably defective.
15. Reconnect W13 to A14J12.

---

## A14 Frequency Control Assembly

---

**Note** The block diagrams for the A14 and A15 assemblies are located in Chapter 10, Synthesizer Section.

---

### A7 LODA Drive

See function block Z of A14 Frequency Control Schematic Diagram (sheet 3 of 5) in the Component-Level Information binder.

1. Set the HP 8560A to the following settings:

CENTER FREQ .....300 MHz  
SPAN .....2 MHz  
TRIGGER .....SINGLE

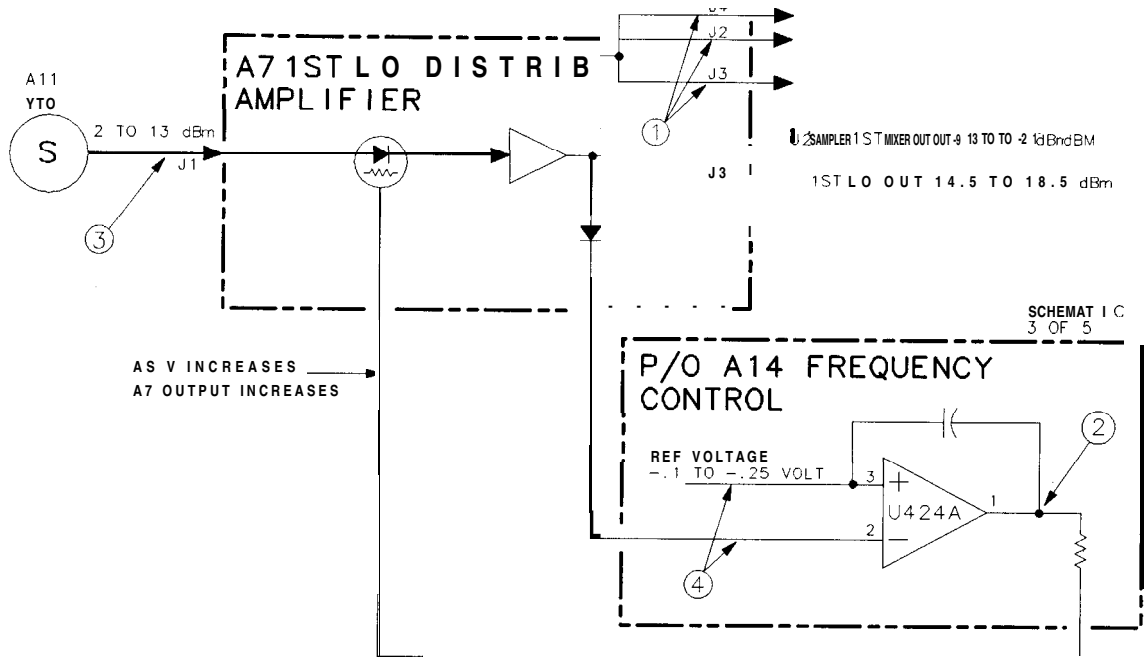
2. Measure the signal power at the output of A7 (see item (1) of Figure 11-2).
3. If the output power is low, A14U424A's output voltage, item (2), (A14J18 pin 14) should be above 0 V. If the output power is high, the voltage should be more negative than -10 V. If the voltages do not measure as indicated, check that the voltages at A14J18 pins 5 and 13, item (4), are consistent with the operational amplifier's output.

---

**Note** If a TAM is available, use Manual Probe Troubleshooting to make measurements on A14J18 pins 5, 13, and 14. These voltages are referred to as . AMP CNTL, LO SENSE, and PIN ATTEN respectively.

---

4. If the voltages measure as indicated in step 3, measure the All YTO output. (See item (3) of Figure 11-2.)
5. If all measurements are within limits, refer to "A7 LODA (LO Distribution Amplifier)" in this chapter.



SK1115

Figure 11-2. A7 LODA Drive

## A15 RF Assembly

**Note** The block diagrams for the A14 and A15 assemblies are located in Chapter 10, Synthesizer Section.

### Confirming a Faulty Third Converter

1. Perform the IF Input Amplitude Accuracy performance test in the HP 8560A Installation and Verification Manual if Option 002 is not present. This exercises most of the third converter.
2. If the performance test fails or Option 002 is present, perform the External Mixer Amplitude adjustment in Chapter 2 of this manual.
3. If adjustment cannot be made, disconnect W35 from A15J801.
4. On the HP 8560A press **PRESET** and set the controls to the following settings:
 

CENTER FREQ	.....	300 MHz
SPAN	.....	0 Hz
5. Connect a signal generator to A15J801.
6. Set the signal generator to the following settings:
 

Frequency	.....	310.7 MHz CW
Power	.....	-28 dBm



7. If a flat line is displayed within 2 dB of the reference level and the performance test passed, troubleshoot microcircuits A7, A8, A9, and A13.
8. If a flat line is displayed within 2 dB of the reference level and the performance test failed, troubleshoot the A15 RF Assembly.

### Confirming Third Converter Output

1. Connect the HP 8560A's CAL OUTPUT to INPUT 50  $\Omega$ .
2. Set the HP 8560A to the following settings:
 

CENTER FREQ	.....	300 MHz
SPAN	.....	0 Hz
ATTEN	.....	0 dB
3. Press **SGL SWP**.
4. Disconnect W29 from A15J601.
5. Connect a test cable from A15J601 to the input of another spectrum analyzer.
6. Tune the other spectrum analyzer to 10.7 MHz. The signal displayed on the other spectrum analyzer should be approximately -5 dBm.
7. Remove the test cable from A15J601 and reconnect W29 to A15J601.

### Third Converter

See Function Blocks A, B, C, D, and E of A15 RF Schematic Diagram (Sheet 2 of 4) in the component-level information binder.

The 3rd Converter consists of the 2nd IF Distribution, A15A1 2nd IF Amplifier, Double Balanced Mixer, 10.7 MHz Bandpass Filter, and Flatness Compensation Amplifiers. The 2nd IF Distribution switches between two possible 2nd IF inputs: the internally generated 2nd IF, or the external mixing IF INPUT (non-option 002 analyzers only). A variable dc bias can be applied to the IF INPUT for external mixers which require such bias. The selected input is fed to the A15A1 2nd IF Amplifier. This is a microcircuit consisting of two stages of gain and two stages of SAW filters for image frequency rejection.

The 2nd IF Amplifier's factory-selected attenuator is chosen to achieve a gain from A15J801 or A15J802 to A15TP601 of 12 dB  $\pm$ 2 dB.

The Flatness Compensation Amplifier consists of three fixed-gain stages and two stages of variable attenuation. This provides an overall adjustable gain of 8 dB to 32 dB. This gain is adjusted during an analyzer sweep to compensate for front-end conversion-loss versus frequency. Perform the following steps to test the amplifier's gain:

The 10.7 MHz Bandpass Filter provides a broadband termination to the mixer while filtering out unwanted mixer products.

1. On the HP 8560A, press **AUX CTRL** INTERNAL MIXER.
2. In the 2nd IF Distribution (Function Block A), diode CR802 should be forward biased and diode CR801 should be reverse biased.

3. Connect a signal source to A15J801 and set the source to the following settings:
 

Frequency .....	310.7 MHz
Amplitude .....	-30 dBm
4. Use an active probe with another spectrum analyzer to measure the signal at A15TP601. The signal should measure -18 dBm  $\pm$ 2 dB confirming the operation of the 2nd IF Amplifier.
5. Use an active probe with another spectrum analyzer to measure the 300 MHz into the mixer's LO port (A15TP602). The signal should measure at least +7 dBm.
6. Measure the power of the mixer's 10.7 MHz IF output (A15TP603). The signal level should be approximately -24 dBm.
7. Move the A2 Controller Assembly's WR PROT/WR ENA jumper to the WR ENA position.
8. While measuring the signal at TP603, adjust the signal source until the level of the 10.7 MHz IF is -40 dBm.
9. Set the HP 8560A to SINGLE mode.
10. On the HP 8560A press (CAL), MORE 1 OF 2, SERVICE CAL DATA and FLATNESS. Increase the gain of the Flatness Compensation Amplifiers to maximum by entering #255 using the data keys. This sets the attenuators in the Flatness Compensation Amplifiers to their minimum values.
11. Connect the other spectrum analyzer to A15J601 and measure the 10.7 MHz IF signal level. The signal should measure approximately -10 dBm. If the signal level is incorrect, continue with step 13.
12. Enter #0 into the HP 8560A Flatness Data. The signal level at A15J601 should measure less than -32 dBm. This sets the gain of Flatness Compensation Amplifiers to a minimum (attenuators to maximum attenuation). If the signal level is incorrect, continue with step 12.
13. Check that the gain stages are properly biased and functioning.
14. Check the attenuator stages and Flatness Compensation Control circuitry.
 

For maximum gain (Flatness Data equals 255), RF GAIN (A15J901 pin 2) should be at +4 Vdc and the current through each attenuator section as measured across R606 or R614 should be about 7 mA.

For minimum gain (Flatness Data equals 0), RF GAIN (A15J901 pin 2) should be at 0 Vdc and the current through each attenuator section should be close to 0 mA.

---

**Caution**      As long as the flatness data just entered is not stored, the previously-stored flatness data will be present after the power is cycled.

---

15. Move the A2 Controller Assembly's WR PROT/WR ENA jumper to the WR PROT position.
16. Reconnect the cable to A15J801.

## Flatness Compensation Control

See Function Block G of A15 RF Schematic Diagram (Sheet 2 of 4) in the component- level information binder.

The Flatness Compensation Control consists of a buffer amp (U901B) and two identical voltage-to-current converters (U901A and U901C). The thermistor RT901 in the buffer amp provides temperature compensation for the PIN diodes in the attenuator stages. The gain of the Flatness Compensation Amplifiers is driven to a minimum by the REDIR line going low during Automatic IF Adjustment.

## Control Latches

See Function Block H of A15 RF Schematic Diagram (Sheet 2 of 4) in the component- level information binder.

The control latches control the PIN Switch Drivers illustrated in Function Block I.

1. Connect a DVM's positive lead to A15J901 pin 15 (HXXM). Connect the negative lead to A15J901 pin 6. The measured signal controls the switching between internal and external IF signals.
2. On the HP 8560A press **AUX CTRL** and EXTERNAL MIXER. The voltage on the DVM should measure approximately +5 Vdc (TTL high).
3. On the HP 8560A press **AUX CTRL** and INTERNAL MIXER. The voltage on the DVM should measure approximately 0 Vdc (TTL low).
4. Connect the DVM's positive lead to A15J901 pin 13 (LSID). The signal measured turns on the SIG ID oscillator.
5. On the HP 8560A press SIG ID ON, **TRIG**, and SINGLE.
6. Subsequent pushes of the SINGLE softkey should cause the signal measured on the DVM to toggle between TTL high and low levels.
7. Connect an oscilloscope probe to A15U902 pin 7 (REDIR) and the probe ground lead to A15J901 pin 6. The signal measured controls the flatness compensation circuit.
8. On the HP 8560A press **PRESET** and set the (SPAN) to 1 MHz.
9. Set the oscilloscope for the following settings:  
Amplitude Scale ..... 2 V/div  
Sweep Time ..... 20 ms/div
10. The waveform should be at a TTL high during part of the retrace period and a TTL low during the sweep (about 50 ms).

## SIG ID Oscillator

See Function Block F of A15 RF Schematic Diagram (Sheet 2 of 4) in the component- level information binder.

The SIG ID Oscillator provides a shifted third LO (approximately 298 MHz) to distinguish true signals from false signals (such as image or multiple responses). When the HP 8560A is set to SIG ID ON, the SIG ID Oscillator turns on during alternate sweeps.

1. Set the HP 8560A to the following settings:

TRIGGER .....SINGLE  
 SIG ID ..... ON

2. Use an active probe with another spectrum analyzer to measure the signal level at A15TP602.
3. On the HP 8560A press SINGLE. With each press of SINGLE, the analyzer alternates between the following two states:

State 1:

A15J901 pin 13 (LSID)           TTL low  
 SIG ID Oscillator                ON  
 Signal at A15TP602            298 MHz  $\pm$ 50 kHz (at least +1 dBm)

State 2:

A15J901 pin 13 (LSID)           TTL high  
 SIG ID Oscillator                OFF  
 3rd LO Driver Amplifier        Provides LO for Double Balanced Mixer

4. With the SIG ID Oscillator on, measure the frequency at A15TP602 with a frequency counter and an active probe. If the frequency is not 298 MHz  $\pm$ 50 kHz, refer to the SIG ID Oscillator Adjustment procedure.
5. On the HP 8560A press SINGLE until A15J901 pin 13 is at TTL low. Diodes CR603 and CR605 should be forward biased and CR604 should be reverse biased (approximately 6 Vdc reverse bias). Diodes CR501 and CR502 should be forward-biased, disabling the 3rd LO Driver Amplifier.
6. The voltage at the R622/R623 node should measure approximately -5 Vdc, biasing Q604 on.
7. If oscillator bias voltages are correct, place a 100  $\Omega$  resistor across SAWR U602 pins 1 and 2. If the SAWR has failed, this will provide the equivalent loss of a correctly functioning SAWR, and the circuit will begin to oscillate.

## 10 MHz Reference

The HP 8560A 10 MHz reference consists of 10 MHz TCXO (Option 003: A21 OCXO) with associated TTL level generator and distribution amplifier. The TCXO and TTL level generator (or OCXO) are turned off when using an external 10 MHz reference. Also, with the analyzer set to EXTERNAL frequency reference, line receiver U304B is disabled and U304A is on. In INTERNAL frequency reference, U304A is disabled and U304B is turned on.

1. Set the HP 8560A's 10 MHz reference to internal by pressing **AUX CTRL**, REAR PANEL, and 10 MHz INT.
2. Use a spectrum analyzer to confirm the presence of a 10 MHz signal at the following test points:

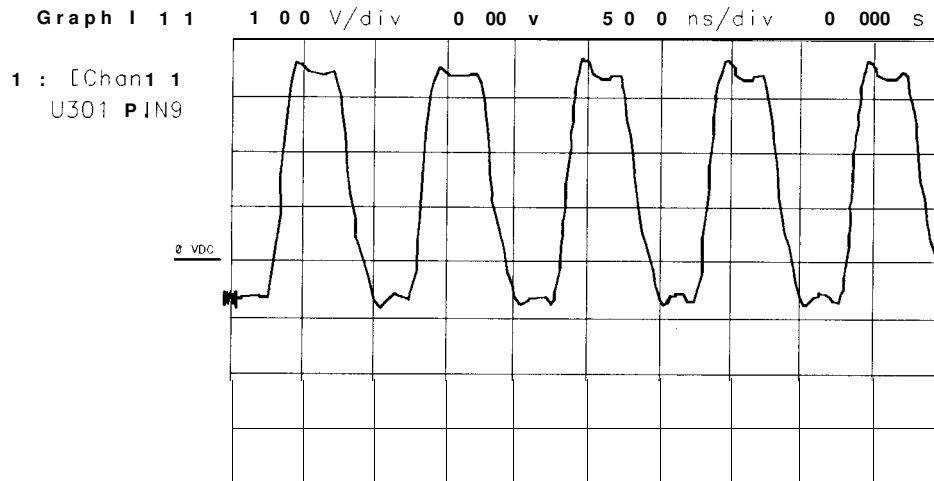
A15J303 .....>-10 dBm  
 A15J304 .....>-10 dBm  
 A15J301 ..... $\geq$ -2 dBm

3. Check for a 3 Vp-p waveform at A15J302 using an oscilloscope (see Figure 11-3).
4. Check that the signal at A15J301 is 10 MHz  $\pm$ 40 Hz (with TCXO reference) using a frequency counter. If necessary, perform the appropriate 10 MHz reference adjustment.
5. If there is no problem with INTernal 10 MHz reference operation, check EXTernal 10 MHz reference operation as follows:
  6. Set the HP 8560A's 10 MHz reference to external by pressing 10 MHz EXT .
  7. Connect a 10 MHz, -2 dBm, signal to the rear-panel 10 MHz REF IN/OUT connector.
  8. Check the signals at A15J301, A15J302, A15J303, and A15J304 according to the procedure in steps 2 through 4.
  9. If the signals are correct in EXTernal operation, but not in INTernal operation, the problem lies in the TCXO, its voltage reference, the TTL level generator, or the A21 OCXO, if Option 003. Check these sections as follows:
 

On the HP 8560A, press 10 MHz INT .

Check U305 pin 3 for approximately +12 Vdc.

Check for a 10 MHz sine wave,  $\geq$ 1 Vp-p, at U302 pin 2 (non-option 003) or J305 (Option 003) using an oscilloscope.
10. If the signal at U303 pin 5 is correct (see Figure 11-4), but there is a problem with the signals at A15J301, A15J302, A15J303, or A15J304, suspect U303, U304, or U306 in the 10 MHz Distribution Amplifier.



**Figure 11-3. 10 MHz Reference at A15J302**

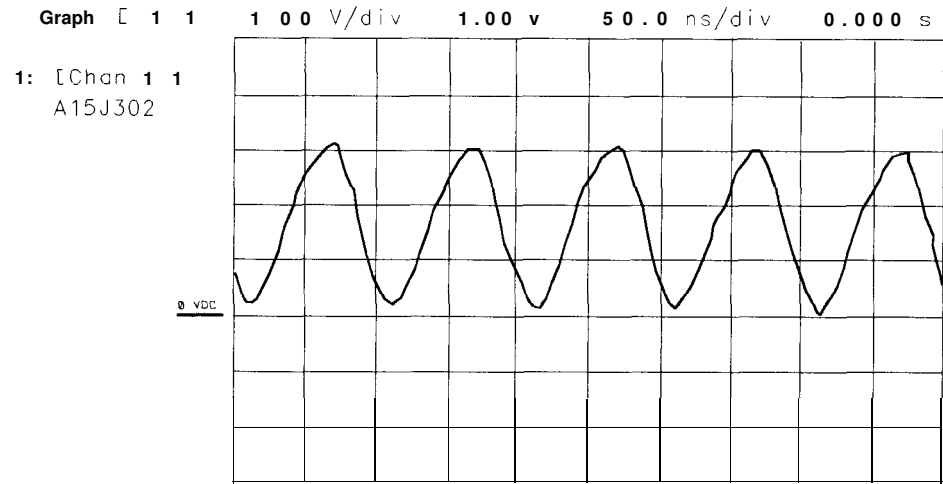


Figure 11-4. 10 MHz TTL Reference at U303 Pin 5

Table 11-4 lists the RF Section mnemonics shown in Figure 11-5 and provides a brief description of each.

**Table 11-4. RF Section Mnemonic Table**

Mnemonic	Description
MAIN COIL+, MAIN COIL-	YTO Main Coil Tune Signal
FM+, FM-	YTO FM Coil Tune Signal
LO SENSE	LO Amplitude Sense Voltage
LEVEL ADJUST	LO Amplitude Adjustment Voltage (PIN ATTEN)
GATE BIAS	LODA Gate Bias Voltage
XMX	External Mixer; +12V=EXT MIX -12V=INT MIX
SID	SIG ID Oscillator ON +12V=SIG ID OFF -8V=SIG ID ON
PIN DIODE SWITCH	PIN Diode Switch Control For 2ND Conv. IF Output
RFGAIN	Voltage to Control Gain of Flatness Comp. Amps.
RFGAIN 1 and RFGAIN 2	Currents to Drive PIN Diodes in Flatness Comp. Amps.
L10dBA, L20dBB, L20dBC, L20dBD	Control Lines to Set Attenuator Sections A, B, C, and D to Attenuate Position (Active Low)
10dBA, 20dBB, 20dBC, 20dBD	Control Lines to Set Attenuator Sections A, B, C, and D to Attenuate Position (Active High)

---

## A10 Tracking Generator (Option 002)

### Block Diagram Description

The A10 Tracking Generator consists of several smaller circuits. The A10 is not component-level repairable; a rebuilt exchange assembly is available.

The block diagram of the tracking generator is unique in that it only recreates one of the spectrum analyzer's intermediate frequencies. This minimizes isolation problems associated with a built-in tracking generator. Each of the blocks comprising the A10 Tracking Generator is described below.

### Tracking Oscillator

The tracking oscillator enables the fine adjustment of the tracking generator output frequency to compensate for the frequency inaccuracies of the spectrum analyzer's 10.7 MHz IF. The tracking oscillator determines the residual FM and frequency drift of the tracking generator. The 182.14 MHz output frequency is obtained by doubling the output of a crystal oscillator operating at 91.07 MHz.

### Upconverter

The upconverter mixes the tracking oscillator output with the buffered 600 MHz reference from the A15 RF Assembly. The upconverter also contains a filter to pass only the 782.14 MHz upper sideband.

### Pentupler

The pentupler multiplies the 782.14 MHz signal by five to generate 3.9107 GHz, the spectrum analyzer's 1st IF. A dual cavity band-pass filter centered at 3.9107 GHz eliminates all unwanted multiples of 782.14 MHz.

### Modulator

The output of the Pentupler is passed through a Modulator to adjust the power level into the Output Mixer. The modulator is controlled by an ALC circuit on the Bias Board which is fed by a detector in the Output Amplifier. If the detected output power is too high, the ALC will drive the Modulator to decrease the input level into the Output Mixer, resulting in a decrease in output power.

### Coupler

The 1st LO signal from the A7 LODA is coupled off and buffered to drive the Output Mixer. The main line of the coupler is fed to the 1ST LO OUTPUT on the front panel. The loss through the coupler main line is less than 2.5 dB.

### Output Mixer

The 3.9107 GHz signal from the Modulator is fed into the RF port of the Output Mixer. The LO port of the output mixer is driven by the buffered 1st LO signal from the Coupler. The output of the mixer is then amplified.



## Output Amplifier

The output amplifier low-pass filters the signal emerging from the Output Mixer and then amplifies it into a usable range. The amplifier also contains a detector for leveling the output.

## Bias Board

The bias board contains the ALC circuitry for the tracking generator and distributes dc power from the A14 Frequency Control Assembly to the rest of the tracking generator. The ALC inputs come from the A14 Frequency Control Assembly (for controlling the power level), the EXT ALC INPUT on the rear panel, and the detector in the Output Amplifier. The ALC loop drives the Modulator.

The following troubleshooting information is aimed at isolating tracking-generator-related faults to either the A10 Tracking Generator Assembly, or one of the other supporting assemblies, such as A14, A15, or A7. The A10 Tracking Generator is not field-repairable; a rebuilt-exchange assembly is available.

## Output Goes Unleveled (ERR 900 or ERR 901)

The ADC on the A3 Interface Assembly is used to monitor the control line ALC MON (ALC Monitor) from A10. If ALC MON is greater than +1.091 Vdc or less than -0.545 Vdc, ERR 900 TG UNLVL will be displayed, indicating that the output of the tracking generator (or “TG”) is unleveled. The TG can typically be set for +2.8 dBm output power and remain leveled. In any case, the output should remain leveled for output power settings of less than the maximum leveled output power. Refer to Table 1-1 in the Installation and Verification Manual for more information on this specification.

It is normal for the TG to be unleveled at frequencies below 300 kHz. If the TG output is unleveled and the start frequency of the TG is below 300 kHz, ERR 901 TGFrqLmt (TG Frequency Limit) and ERR 900 TG UNLVL may be displayed (refer to General Troubleshooting for information on checking for multiple error messages). If the start frequency is changed to be greater than 300 kHz and the output is still unleveled, ERR 900 TG UNLVL will be displayed (see above).

The ALC MON line is monitored only at the end of a sweep. For this reason, it is possible that the output could be unleveled during a portion of a sweep, and, if the output returns to a leveled condition by the end of the sweep, ERR 900 TG UNLVL will not be displayed.

If ERR 900 TG UNLVL is displayed, proceed as follows:

1. Check at which frequencies the output is unleveled. Set the analyzer to zero span and step the center frequency in 50 MHz increments. Note at which frequencies the output is unleveled.
2. Check at which power levels the output is unleveled. Connect the RF OUT 50Ω to the INPUT 50Ω. With the analyzer in zero span, set the Center Frequency to 300 MHz or one of the frequencies noted in step 1, with the analyzer in zero span. Press **AUX CTRL**, TRACKING GENERATOR, SRC PWR ON, MORE 1 OF 3, TRACKING PEAK. Wait for the “PEAKING” message to disappear. Step the TRK GEN RF POWER setting in 1 dB increments and note at which power levels the output is unleveled. It is acceptable for the output to be unleveled only at power levels greater than the specified maximum leveled output power level.

3. Check maximum power available from the TG. Connect the RF OUT 50Ω to the INPUT 50Ω. Press **PRESET**, **AMPLITUDE**, **2**, **0**, **+ dBm**, LOG dB/DIV , **5**, **dB**, **AUX CTRL**, TRACKING GENERATOR , SRC PWR ON , MORE 1 OF 3 , ALC EXT. No connection should be made to the ALC EXT INPUT connector on the rear panel. The available power should always be greater than +1 dBm. If the output is unlevelled only at specific frequencies, a power hole will usually be visible at those frequencies.
4. Perform the 1ST LO OUTPUT Amplitude performance test. If the test fails, note the Center Frequency setting at which the power level was out-of-tolerance. Repeat the test with the power sensor connected to A7J3 (a right-angle SMA adapter will be necessary) and note the Center Frequency of any out-of-tolerance power levels. The power level should be +16.5 dBm ±2 dB.  
  
If the power level is correct at W43 but out-of-tolerance at the 1ST LO OUTPUT (front panel) and the Center Frequency setting of the out-of-tolerance power levels is close to the frequencies at which the output is unlevelled, suspect either A10 or W46.  
  
If the power level at W43 is also out-of-tolerance, suspect either the A7 LODA or the All YTO. Refer to Synthesizer Section Troubleshooting.
5. If the output is unlevelled only at certain power level settings or certain frequencies, monitor A17J16 pin 1 with a DVM. Connect the negative DVM lead to A17J16 pin 6. Vary the TRK GEN RF POWER or Center Frequency settings, as appropriate, and plot the voltage variation versus power level or frequency. A discontinuity in the plot near the frequency or power level at which the output is unlevelled indicates a problem on the A14 Frequency Control Assembly.

## Excessive Residual FM

Either the tracking oscillator or the ALC circuitry could be responsible for excessive residual FM. The residual FM should be measured on another spectrum analyzer, such as an HP 8566A/B or HP 8568A/B, using slope detection with the HP 8560A set to zero span.

Proceed as follows to troubleshoot residual FM problems:

1. Perform the Residual FM performance test for the spectrum analyzer in the Installation and Verification Manual. If this test passes, the 1st LO input and 600 MHz drive signals should be correct. If the test fails, troubleshoot the Synthesizer Section.
2. Monitor A14J17 pin 15 (TUNE +) with an oscilloscope. Connect the oscilloscope probe ground lead to A14J17 pin 6. The voltage at this point should be greater than 500 mV. If the voltage is less than 500 mV, perform the Tracking Oscillator Range performance test in the Installation and Verification Manual. If this test fails, perform the Tracking Oscillator Range Adjustment. If the noise on this tune line is greater than 10 mV, troubleshoot the BITG Drive circuitry on A14.
3. Monitor the output of the tracking generator with another spectrum analyzer. Check for high-amplitude spurious responses from 100 kHz to at least 3 GHz. If the spurious responses are too high in amplitude, the (broadband) ALC detector may cause the ALC loop to oscillate, generating FM sidebands. If any spurious responses are excessively high, refer to Harmonic/Spurious Outputs Too High below.
4. If no spurious responses are present or are sufficiently low enough in amplitude to not cause a problem, suspect the tracking oscillator in A10.

## Flatness Out-of-Tolerance

The output level flatness of the tracking generator is specified at a 0 dBm output power setting. In general, most flatness problems will be a result of a failure in the A10 Tracking Generator microcircuit. However the POWER LVL signal from the A14 Frequency Control Assembly and the 1ST LO IN signal from the A7 LODA can also contribute to flatness problems.

1. Check the function of the POWER LVL signal from the A14 Frequency Control Assembly. Set the TRK GEN RF POWER to a level at which the flatness is out-of-tolerance. Monitor A17J16 pin 1 with a DVM and step the Center Frequency in 100 MHz increments from 100 MHz to 2.9 GHz and plot the voltage variation versus frequency. A discontinuity in the plot near the frequency at which the flatness is out-of-tolerance indicates a problem on the A14 Frequency Control Assembly.
2. Check the flatness of the 1ST LO IN signal. Perform the 1ST LO OUTPUT Amplitude performance test. If the test passes, the fault is most likely in the A10 Tracking Generator. If the test fails, note the Center Frequency setting at which the power level was out-of-tolerance and compare against the frequency(ies) at which the flatness was out-of-tolerance. Repeat the test with the power sensor connected to the end of W43 nearest A10, noting the Center Frequency of any out-of-tolerance power levels. The power level should be  $+16.5 \text{ dBm} \pm 2 \text{ dB}$ .

If the power level is correct at W43 but out-of-tolerance at the 1ST LO OUTPUT and the Center Frequency setting of the out-of-tolerance power levels is close to the frequencies at which the output is unlevelled, suspect A10.

If the power level at W43 is also out-of-tolerance, suspect either the A7 LODA or the All YTO. Refer to Synthesizer Section Troubleshooting.

3. Check all coax cables, especially semi-rigid cables. A fault in one of these cables can cause a very high-Q power hole.

## Vernier Accuracy Out-of-Tolerance

Vernier accuracy is a function of the POWER LVL drive signal from the A14 Frequency Control Assembly and the ALC circuitry on A10. The vernier accuracy is specified at 300 MHz. Since vernier accuracy is tested using a broadband power sensor, abnormally high spurious responses could cause the measured vernier accuracy to fail when in fact the accuracy of the 300 MHz signal alone is within specification.

1. Check the POWER LVL drive signal from A14. Monitor A17J16 pin 1 with a DVM. Change the TRK GEN RF POWER in 1 dB steps and note the voltage at each power level setting. The voltage should change by the same amount for each 1 dB step. If the voltage does not change by the same amount for each 1 dB step, the fault lies on the A14 Frequency Control Assembly.
2. Check for abnormally high spurious outputs. Connect the RF OUT  $50\Omega$  to the input of another spectrum analyzer (the "test analyzer"). Set the test analyzer to sweep from 300 kHz to 2.9 GHz, with a sweep time of 100 msec or less. Set the HP 8560A to sweep from 300 kHz to 2.9 GHz with a 50 second sweep time. Press **SGL SWP** on the HP 8560A and observe any responses on the test analyzer, ignoring the desired output signal. If any spurious responses are greater than -20 dBc, the vernier accuracy measurement may fail. Refer to Harmonic/Spurious Outputs Too High.

3. Check for excessive LO feedthrough. Use the LO Feedthrough performance test in the Installation and Verification Manual, but check over a Center Frequency range of 300 kHz to 100 MHz. The LO Feedthrough will be 3.9107 GHz greater than the Center Frequency setting.

## Harmonic/Spurious Outputs Too High

Harmonic and spurious outputs may be generated by A10 itself or may be present on the either the 600 MHz drive or 1st LO drive signal. There is a direct relationship between spurious signals on the 1st LO and spurious signals on the TG output. There is a five-to-one relationship between spurious signals on the 600 MHz drive and the spurious signals on the TG output. For example, if the 600 MHz signal moves 1 MHz, the TG output signal will move 5 MHz. This is due to the multiplication in the pentupler.

1. If the Harmonic Spurious Responses performance test failed, connect another spectrum analyzer, such as an HP 8566A/B, to the HP 8560A 1ST LO OUTPUT connector. Set the HP 8560A to each frequency as indicated in the performance test, with the Span set to 0 Hz. At each frequency setting, press **[SGL SWP]**, **[CAL]**, **MORE 1 OF 2**, **FREQ DIAGNOSE**, **LO FREQ**. The frequency displayed will be the fundamental frequency of the 1ST LO OUTPUT. Use the HP 8566A/B to measure the level of the second and third harmonics of the 1st LO signal.

---

**Note** The 1st LO typically has a higher harmonic content than the tracking generator output. For the purposes of this check, it is the variation in harmonic content versus frequency which is important.

---

If the variation of the harmonic level of the 1st LO versus frequency tracks the harmonic level variation of the tracking generator output, repeat this step while measuring the 1st LO signal at the end of W43 nearest A10. If there is little variation in the 1st LO harmonic level between the 1ST LO OUTPUT connector and W43, and the relative variation in harmonic level tracks with the TG output harmonic level, suspect either the A7 LODA or A11 YTO.

If the harmonic level variation of the 1st LO versus frequency does not track the harmonic level variation of the TG output, suspect A10.

2. If sidebands are present at the same frequency offset at every output frequency, check the spectral purity of the 1st LO and the 600 MHz drive signals using another spectrum analyzer. When checking the 1st LO, the HP 8560A must be set to zero span. Press **[CAL]**, **MORE 1 OF 2**, **FREQ DIAGNOSE**, **LO FREQ** to determine the 1st LO frequency. A 1 MHz sideband on the 1st LO will appear as a 1 MHz sideband on the output signal.

To verify that the 600 MHz drive or 1st LO signal is responsible for the sidebands, substitute a clean signal for the 600 MHz drive or 1st LO signal. If the sidebands on the output disappear when using the clean signal, the substituted signal was responsible for the sidebands.

---

**Note** The 600 MHz drive signal should be -8 dBm $\pm$ 3.5 dB. The 1st LO signal should be +16 dBm  $\pm$ 2 dB.

---

## Power Sweep Not Functioning Properly

Power sweep is accomplished by stepping Real Time Dac #1 (R/T DAC1) which adds an offset to the POWER LVL signal. Refer to Function Block S of A14 Frequency Control Assembly schematic. R/T DAC1 is an 8-bit dac and can provide power sweeps of up to 12.8 dB. This is equivalent to 0.05 dB per dac step. Since R/T DAC1 has only 256 discrete settings but 601 points per sweep are digitized, up to three adjacent points per sweep may correspond to the same power level setting.

1. If the power sweep appears to be non-monotonic, the fault probably lies on the A3 Interface Assembly (Real Time DACs). To check the operation of R/T DAC1, monitor A3J400 pin 3 with an oscilloscope. Trigger the oscilloscope off the negative-going edge of the BLANKING output of the HP 8560A. Set the POWER SWEEP RANGE to 12.8 dB and TRK GEN RF POWER to -10 dBm. Set the HP 8560A SWEETIME to 50 ms. A 0 to +10 V ramp should be observed on the oscilloscope. The amplitude of the ramp should decrease approximately 780 mV for each 1 dB decrease in POWER SWEEP RANGE.

---

**Note** Although POWER SWEEP RANGE may be set to a 12.8 dB sweep width, the POWER SWEEP function is only warranted to have a 10 dB sweep width.

---

2. Perform the Vernier Accuracy Performance Test. If this test fails, refer to Vernier Accuracy Out-of-Tolerance, above.

## No Power Output

The A10 requires power supplies, a 1st LO signal, and a 600 MHz drive signal in order to provide power output.

1. Check power supplies on A14J13 and A10J1. Refer to the A14 Frequency Control Assembly schematic.
2. Verify that the voltage at A14J17 pin 14 is greater than +14 Vdc. If the voltage is not greater than +14 Vdc, troubleshoot A14.
3. Check that ALC-EXT, measured at A17J13 pin 10, is at a TTL low when the TG is set to ALC INT and at a TTL high when the TG is set to ALC EXT.
4. Check that the 600 MHz drive signal is -8 dBm $\pm$ 3.5dB. If the signal is outside of this range, troubleshoot the A15 RF Board Assembly.
5. Check that the 1st LO input signal is +16 dBm  $\pm$ 2 dB. Perform the 1ST LO OUTPUT Amplitude test, measuring instead at the end of W43 nearest A10.
6. Check the tracking adjustment controls. Monitor A14J16 pin 13 with a DVM. On the HP 8560A, use the STEP keys and numeric keypad to set the COARSE TRACK ADJ value from 0 to 255. The voltage measured should increase from 0 V to +10V.

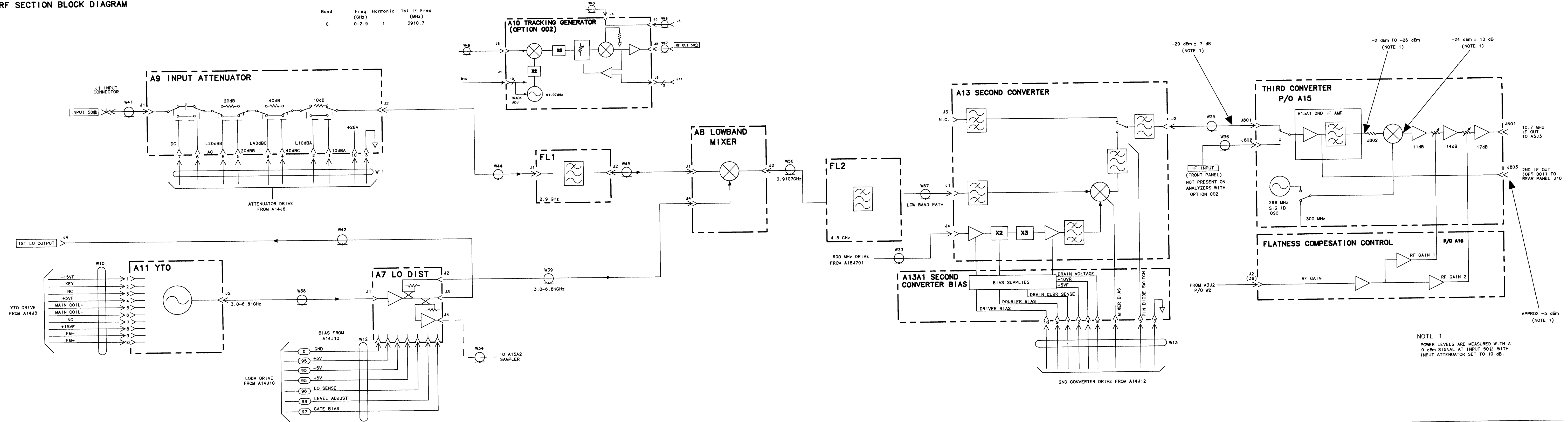
Monitor A14J17 pin 13 with the DVM. Use the RPG knob to set the FINE TRACK ADJ value from 0 to 255. The voltage measured should increase from 0 V to +10V.

Monitor A14J17 pin 15 with the DVM. The voltage at this point should change as both the FINE TRACK ADJ and COARSE TRACK ADJ values are changed, however the voltage change per step of the FINE TRACK ADJ will be much less (about one-sixtieth) than the voltage change per step of the COARSE TRACK ADJ.

7. If all of the checks above are correct, the tracking oscillator might not be functioning. Setup the HP 8560A as indicated in the Tracking Oscillator Range Adjustment procedure, using a spectrum analyzer, such as an HP 8566A/B, in place of the frequency counter. Try to adjust A10C3 until a signal is displayed on the HP 8566A/B. If adjusting A10C3 does not start the tracking oscillator functioning, the A10 Tracking Generator is suspect.

RF SECTION BLOCK DIAGRAM

Band	Freq (GHz)	Harmonic	1st IF Freq (MHz)
0	0-2.9	1	3910.7



NOTE 1  
POWER LEVELS ARE MEASURED WITH A 0 dBm SIGNAL AT INPUT 50 Ω WITH INPUT ATTENUATOR SET TO 10 dB.

FIGURE 11-5. RF SECTION, TROUBLESHOOTING BLOCK DIAGRAM



## Display/Power Supply Section

---

The Display/Power Supply Section contains the A6 Power Supply, A6A1 HV Module, A17 CRT Driver, and A18 CRT. Figure 12-1 illustrates the section block diagram. Table 12-1 lists signal versus pin numbers for Power Cable W1.

	<b>Page</b>
Troubleshooting Using the TAM .....	12-4
Blank Display .....	.. 12-5
Blank Display .....	.. 12-6
Display Distortion .....	.. 12-7
Focus Problems .....	.. 12-8
Intensity Problems .....	12-9
A6 Power Supply Assembly .....	12-11
Dead Power Supply .....	12-11
Line Fuse Blowing .....	.. 12-13
Supply Restarting Every 1.5 Seconds (Kick Start) .....	12-13
Low Voltage Supplies .....	12-13
High Voltage Supplies .....	12-14
CRT Supply Dropping Out .....	12-15
Blanking Signal .....	12-15
Buck Regulator Control .....	12-16
DC-DC Converter Control .....	12-16
Power Up .....	.. 12-17

---

**Warning**      **The A8 Power Supply and A6A1 High Voltage Assemblies contain lethal voltages with lethal currents in all areas. Use extreme care when servicing these assemblies. Always disconnect the power cord from the instrument before servicing these assemblies. Failure to follow this precaution can represent a shock hazard which may result in personal injury.**

---

**Warning**      **The voltage potential at A6A1W3 is +9 kV. If the cable must be disconnected, always disconnect it at the CRT with caution! Failure to properly discharge A6A1W3 may result in severe electrical shock to personnel and damage to the instrument. See Chapter 3, Procedure 2.**

---

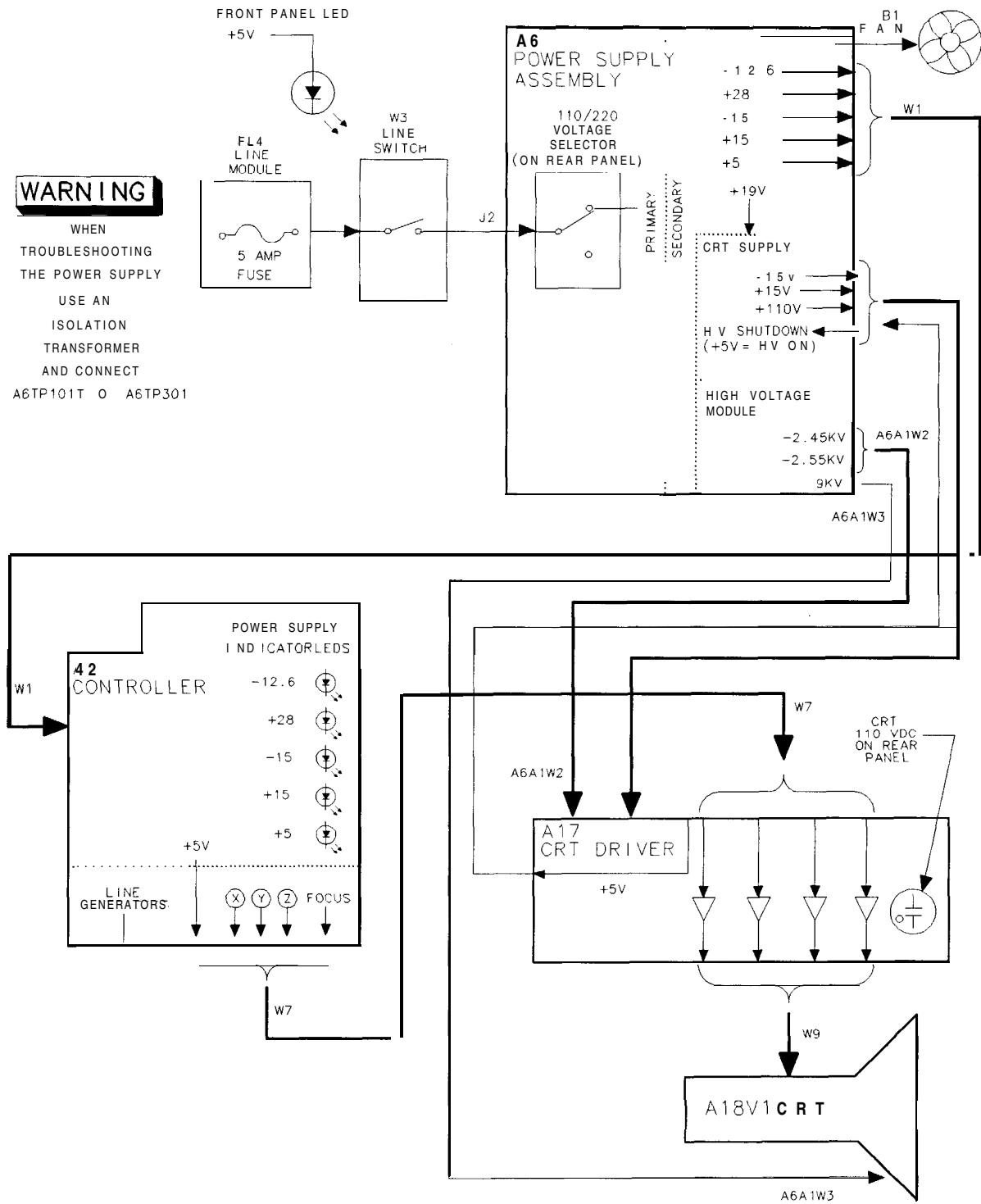
**Warning**      **Always use an isolation transformer when troubleshooting either the A6 Power Supply or the A6A1 HV Module. When using an isolation transformer, connect a jumper between A6TP101 and A6TP301. This connects the circuit common to earth ground. Remove this jumper when the isolation transformer is not used.**

---



**WARNING**

WHEN TROUBLESHOOTING THE POWER SUPPLY USE AN ISOLATION TRANSFORMER AND CONNECT A6TP101T O A6TP301



SK1 120

Figure 12-I. Simplified Section Block Diagram

Table 12-1. W1 Power-Cable Connections (1 of 2)

Signal	A2J1 (pins)	A3J1 (pins)	A4J1 (pins)	A5J1 (pins)	A6J1 (pins)	A14J1 (pins)	A15J1 (pins)
NC							
NC							
A GND		3	3	48	3*	3	3
NC							
NC							
A GND		6	6	45	6*	6	6
NC							
NC							
A GND		9	9	42	9*	9	9
SCAN RAMF	41	10				10*	
NC							
A GND		12	12	39	12*	12	12
-12.6 V	38	13			13*		
-15 V		14	14	37	14*	14	14
A GND		15	15	36	15*	15	15
-15 V		16	16	35	16*	16	16
+15 V		17	17	34	17*	17	17
A GND		18	18	33	18*	18	18
+15 V		19	19	32	19*	19	19
+28 V		20			20*	20	20
+28 V		21			21*	21	21
PWR UP	29				22*		
-15 V		23	23	28	23*	23	23
-15 V		24	24	27	24*	24	24
+15 V		25	25	26	25*	25	25
+15 V		26	26	25	26*	26	26
+5 V		27	27	24	27*	27	27
+5 V		28	28	23	28*	28	28
+5 V		29	29	22	29*	29	29
+5 V		30	30	21	30*	30	30
D GND	20	31	31	20	31*		31
D GND	19	32	32	19	32*		32
A GND	18	33	33	18	33*	33	33
A GND	17	34	34	17	34*	34	34
D GND	16	35	35	16	35*	35	35
D GND	15	36	36	15	36*	36	36
D GND	14	37	37	14	37*	37	37
D GND	13	38	38	13	38*	38	38

\* Indicates signal source connectors

**Table 12-1. W1 Power-Cable Connections (2 of 2)**

Signal	A2J1 (pins)	A3J1 (pins)	A4J1 (pins)	A5J1 (pins)	A6J1- (pins)	A14J1 (pins)	A15J1 (pins)
+5 v	12	39			39*		
+5 V	11	40			40*		
+5 v	10	41			41*		
+5 v	9	42			42*		
+5 v	8	43			43*		
+5 v	7	44			44*		
+28 V	6	45			45*		
LINE TRIGGER		46			46*		
+15 V	4	47			47*		
+15 V	3	48			48*		
-15 V	2	49	49		49*		
-15 V	1	50	50		50*		

\* Indicates signal source connectors.

## Troubleshooting Using the TAM

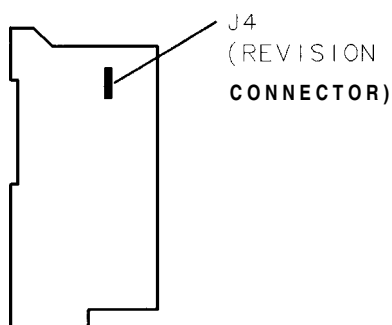
When using Automatic Fault Isolation, the TAM indicates suspected circuits that need to be manually checked. Use Table 12-1 to locate the manual procedure.

Table 12-2 lists assembly test connectors associated with each Manual Probe Troubleshooting test. Figure 12-2 illustrates the location of A17's test connectors.

**Table 12-2. Automatic Fault Isolation References**

Suspected Circuit Indicated by Automatic Fault Isolation	Manual Procedure to Perform
Check A2 Controller	Blanking Signal
Check All Power Supply Outputs	Dead Power Supply ( <i>steps 1-5</i> )
Check Buck Regulator	Dead Power Supply ( <i>steps 22-23</i> )
Check Buck Regulator Control Circuitry	Dead Power Supply ( <i>steps 11-21</i> )
Check High-Voltage Supplies	High Voltage Supplies
Check Input Rectifier	Dead Power Supply ( <i>steps 6-7</i> )
Check Intensity Adjustments	Intensity Problems ( <i>steps 1- 4</i> )
Check Kick Start/Bias Circuitry	Dead Power Supply ( <i>steps 8- 10</i> )
Check Low-Voltage Supplies	Low Voltage Supplies

**A17  
CRT DRIVER**



SK1121

**Figure 12-2. A17 Test Connector**

**Table 12-3. TAM Tests versus Test Connectors**

Connector	Manual Probe Troubleshooting Test	Measured Signal Lines
A17J4	Revision	MS5
	X-Deflection Amplifier	MS2, MS3
	Constant Current Source	MS1
	Focus Amplifier Bias	MS4
	Intensity Amplifier Bias	MS6
	Intensity Input	MS7
	Intensity Offset	MS7
	Blanking Control	MS8

### Blank Display

Use the following procedure if the instrument's display is blank. This procedure substitutes an HP-IB printer for the display.

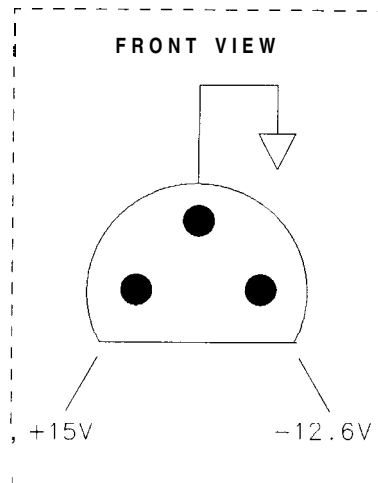
1. Connect the printer to the HP 8560A and set the printer's address to the value required by the TAM. This is usually 1.
2. All of the power-supply indicator LEDs along the edge of the A2 Controller Assembly should be lit.
3. The rear-panel CRT +110 VDC ON indicator should also be lit.
4. Connect the TAM's probe cable to A2J11.
5. Press **MODULE**, **SOFT KEY #3**, **▼**, **SOFT KEY #1**. (The top soft key is #1.)
6. The yellow LED next to A2J11 should blink approximately ten times. If the LED fails to blink correctly, troubleshoot the digital section of the A2 Controller Assembly.
7. Move the probe cable to A2J202. Press **SOFT KEY #1** and wait five seconds.
8. Press **SOFT KEY #4**. The results should be sent to the printer.

9. Move the probe cable to A2J201, press SOFT KEY #1 and wait five seconds.
10. Press SOFT KEY #4 . The results will be sent to the printer.
11. If a failure is indicated in any of these tests, the fault lies on the A2 Controller assembly. to obtain more information:
  - a. Press the down arrow key one less time than the test number. (For example, press it twice for the third test on the list.)
  - b. Press SOFT KEY #3 , then SOFT KEY #4 , and when the printout is complete, SOFT KEY #6 .
12. If no failures were indicated in testing the A2 Controller, move the probe cable to A17J4.
13. Press SOFT KEY #1 and wait five seconds.
14. Press SOFT KEY #4 . The results will be sent to the printer.
15. If no failure is indicated in the printout, check the high-voltage supplies as described “High Voltage Supplies” in this chapter.

---

## Blank Display

1. If the LED above the front-panel LINE switch is lit, most of the A6 Power Supply is functioning properly.
2. Carefully check the voltages on the front-panel PROBE POWER jack. Be careful to avoid shorting the pins together. See Figure 12-3.
3. Check that the fan is operating. If the PROBE POWER voltages are correct, and the fan is turning, the A6 Power Supply is probably working properly.
4. If the rear-panel's CRT +110 VDC ON LED is lit, the high-voltage supplies should also be operating. (The high-voltage supplies will be turned off if the HV SHUT-DOWN line is low.) The A6 Power Supply feeds +5 V to the A2 Controller through W1. The A2 assembly distributes this +5 V to the A17 CRT Driver through W7. A17 sends +5 V back to A6 as the HV SHUT\_DOWN signal over W8. As a result, A2, A17, W1, W7, and W8 must all be in place for the high-voltage supplies to operate.



SK1122

**Figure 12-3. Probe Power Socket**

5. If all of the power supply indicators along the outside edge of the A2 Controller assembly are lit, the A6 Power Supply is probably working properly.
6. Press FREQUENCY, **1**, **GHz**.
7. Allow the analyzer to warm-up for at least one minute.
8. While observing the display, set the **LINE** switch off. If a green dot moves across the display, the CRT is probably working properly; troubleshoot either the A2 Controller or the A17 CRT Driver.
9. If a green dot does not move across the display, the A2 Controller, A6A1 HV Module, A17 CRT Driver, or A18V1 CRT might be at fault.

---

## Display Distortion

The HP 8560A uses a vector display. The graticule lines, traces, and characters are composed of a series of straight lines (“vectors”) placed end-to-end. If the vectors do not begin and end at the proper points, the display appears distorted, but in focus. Symptoms range from characters appearing elongated and graticule lines not meeting squarely, to an entirely unreadable display.

1. Use the CRT ADJ PATTERN to check for distortion. Press (CAL), MORE, and CRT ADJ PATTERN. If vector distortion (described above) occurs, perform the Display Adjustment in Chapter 2 to test the function of the A2 assembly.
2. If there is distortion along with slight focus degradation, but the graticule lines meet (not necessarily squarely), the A17 CRT Driver, CRT, DDD/TRACE ALIGN adjustments, or cable connections might be at fault.

3. Perform the Display Adjustment in Chapter 2. Isolate the problem to either the X or Y axis by noting the behavior of the adjustments. If the line generator or fast zero-span portion of the adjustment fails, troubleshoot the A2 assembly.
4. If the adjustments do not remedy the problem, set the HP 8560A's (LINE) switch off and place the A17 CRT Driver in the service position.
5. Distortion confined to one axis (vertical or horizontal only), indicates a faulty A17 assembly's X or Y Deflection Amplifier. Use the alternate good deflection amplifier for obtaining typical voltages. (There is enough symmetry in a typical display that the voltages should be similar between these circuits.)
6. Monitor the waveforms at A17TP11 and A17TP14 (or TP12 and TP13). The 50 to 100 Vp-p ac component of the waveforms at the X and X' (or Y and Y') outputs should be mirror images of each other. The dc average should be 55 V.
7. The appropriate POSN adjustment (A17R57 or A17R77) should change the dc component of both X and X' (or Y and Y') outputs in opposite directions.
8. The appropriate GAIN adjustment (A17R55 or A17R75) should change the ac component in both outputs by the same amount.
9. If the display is a single dot, check the base of A17Q18 for -10.3 V +/-0.3V. Verify the signals at TP11, TP14, TP12, and TP13.
10. If signals are correct and cables to CRT are good, suspect the CRT.

---

## Focus Problems

Focus problems may be due to a defective A18V1 CRT, improper adjustments, improper connections, or absence of high voltage. The A2 Controller's focus-control circuitry has a very minor effect on the overall focus.

Although A17's Grid Level Shifter (function block D) is the leading cause of A17 focus problems, function blocks C, E, F, and H generally have less effect on focus, but may cause poor focus that is a function of screen position, length of line, or intensity.

1. Connect a DVM's positive lead to A2J202, pin 2. Connect the negative lead to A2J202 pin 6.
2. Use the knob to change the focus value from 0 to 255.
3. If the DVM reads near 0 Vdc with the focus set to 0, and near -10 Vdc with the focus set to 255, A2's focus control circuitry is working properly.
4. Perform the Display Adjustment in Chapter 2. Note that A17R34 COURSE FOCUS has the greatest effect on focus. Adjustment A17R93 ASTIG and A17R92 DDD have a lesser effect, and A17R21 Z FOCUS, A17R26 X FOCUS and front-panel adjustment (press **DISPLAY**, MORE, FOCUS, and turn knob) have very little effect on focus.
5. If the focus of some areas of the screen are worse than normal, continue with step 11. If no part of the screen can be brought to sharp focus, continue with step 6. (CRTs have some normal focus variation across their face.)

6. Turn off the analyzer and place A17 in the service position. Connect the ground lead of a high-voltage probe (HP 34111A) to the chassis, and use it with a DVM to measure A17J7(10).
7. The nominal A17J7(10) voltage is -1600 Vdc, but the CRT will function with this voltage within 200 V of -1600 Vdc.
8. Adjusting A17R34 COURSE FOCUS should vary the A17J7(10) voltage by 150 V. If these voltages are correct, suspect the CRT.
9. Check the A6A1 High Voltage Module cathode supply output at A17TP16 using a high voltage probe. If the cathode voltage is -2450 V +/-250 V, check the Focus Grid Level Shifter.
10. If the cathode voltage is not correct, check the A6A1 High Voltage Module and its connections.
11. Connect an oscilloscope probe to A17TP9. This signal corrects the focus for the X position of the CRT beam, and for intensity level. It also provides the front-panel focus adjusting voltage.
12. Press **DISPLAY**, MORE, and FOCUS. While turning the front-panel knob, verify the dc level of the signal at TP9 adjusts about 30 Vp-p.
13. Verify that the front panel INTEN adjustment plus A17R21 Z FOCUS changes the peak-to-peak voltage at TP9 by 25 V.
14. Set front panel INTEN to minimum and Z FOCUS fully counterclockwise and A17R26 X FOCUS to fully counterclockwise. Verify that the peak-to-peak voltage at TP9 is about 40 Vp-p (due to X-Dynamic Focus circuit).
15. If circuit operation seems correct, A18V1 CRT is probably at fault.

---

## Intensity Problems

Intensity problems, or absence of display, can be due to the A17 assembly's Intensity Amplifier (function block A), Intensity Grid Level Shifter (function block B), CRT (A18V1), interconnections, or lack of proper supplies or inputs to A17.

1. On the HP 8560A press **DISPLAY**, MORE 1 of 2 , **INTEN** .
2. Rotate the front-panel knob (RPG), and check that the intensity changes from dim, but readable, to bright.
3. If the INTEN function does not function properly, troubleshoot the A2 Controller assembly.
4. Perform the preliminary and Z-axis portions of the Display Adjustment in Chapter 2. Verify that A17R10 CUTOFF functions properly. If A17R11 CUTOFF does not function properly, place the A17 CRT Driver in the service position.
5. Verify that blanking pulses are present at A17TP2 using an oscilloscope. The pulses should be normal TTL levels, approximately 1  $\mu$ s wide and 4 or 7  $\mu$ s apart. If the blanking pulses are not correct, check the BLANKING output of the A2 Controller Assembly and cable W7.



6. If blanking pulses are present, check A17TP10 with the oscilloscope. The TP10 signal should vary with the front-panel INTEN adjustment, and be approximately 55 Vp-p maximum. The signal will be composed of both blanking pulses and varying intensity levels for the lines being drawn.
  - a. If a proper signal is not present at A17TP10, check A17Q1, Q2, CR1, and CR2.
  - b. If the blanking pulses do not reach 40 Vp-p with maximum intensity, turn off the HP 8560A and check A17CR10 with an ohmmeter.
  - c. If the TP10 signal does not vary with the front-panel INTEN adjustment, check the signals at A17TP4 and A17TP1. Both signals should vary with front panel INTEN adjustment. The TP4 signal should be up to 4 Vp-p, and TP1 signal should be up to approximately 12 Vp-p.

---

**Warning**      **The A17 CRT Driver contains lethal voltages with lethal currents. Use extreme care when servicing this assembly. Always disconnect the power cord from the instrument before servicing this assembly. Failure to follow this precaution can present a shock hazard which may result in personal injury.**

---

---

**Note**            The following measurements should be made with a high-voltage probe, such as the HP 34111A. When using the high-voltage probe, connect the ground lead securely to the HP 8560A chassis.

---

7. Carefully measure the grid voltage at A17J7 pin 6, and the cathode voltage at A17J7 pin 4. The display will work with a cathode voltage of -2450 V to -250 V, provided the grid voltage (A17J7 pin 6) is 30 to 100 V more negative than the cathode. A17R11, CUTOFF, should be able to adjust the voltage difference over a 60 V range to account for tube variations, and achieve proper intensity.
8. If the grid and cathode voltages are correct, turn off the HP 8560A and check A17CR10 with an ohmmeter. If A17CR10 is good, suspect the A18V1 CRT.
9. If the grid and cathode voltages are too low, turn off the power and disconnect W8 from the base of A18V1 CRT, and recheck the grid and cathode voltages.
10. If the grid and cathode voltages are still too low, refer to “CRT Supply” in this chapter and the High-Voltage Power Supply Adjustment procedure.
11. If voltages are correct when the tube is disconnected, the CRT is probably defective.

---

**Caution**        The pins on the A18V1 CRT bend easily. Be careful not to bend pins when connecting W8 to A18V1.

---

---

## A6 Power Supply Assembly

The HP 8560A uses a switching power supply operating at 40 kHz to supply the low voltages for most of the analyzer hardware and a 30 kHz switching supply (CRT Supply) to provide the high voltages for the CRT display. The CRT Supply will be treated as a separate supply since the remainder of A6 must be operating for the CRT Supply to operate.

Kick starting occurs when there is a fault either on the power supply or on one of the other assemblies. The power supply will try to start by generating a 200 ms pulse (“kick”) every 1.5 seconds. A kick-starting power supply often appears to be dead, but the fan will make one or two revolutions and stop every 1.5 seconds.

---

**Warning**      **The A6 Power Supply and A6A1 High Voltage Assemblies contain lethal voltages with lethal currents in all areas. Use extreme care when servicing these assemblies. Always disconnect the power cord from the instrument before servicing these assemblies. Failure to follow this precaution can present a shock hazard which may result in personal injury.**

---

---

**Warning**      **The voltage potential at A6A1W3 is +9 kV. Disconnect at the CRT with caution! Failure to properly discharge A6A1W3 may result in severe electrical shock to personnel and damage to the instrument. See Chapter 3, Procedure 2.**

---

---

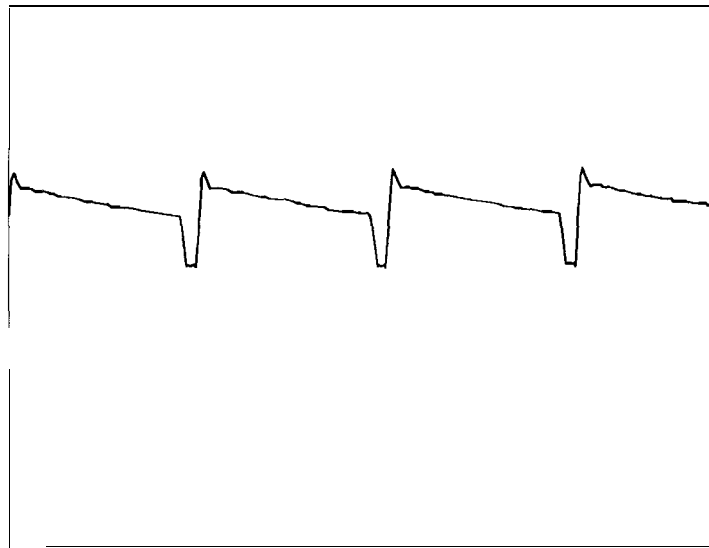
**Warning**      **Always use an isolation transformer when troubleshooting either the A6 Power Supply or the A6A1 HV Module. When using an isolation transformer, connect a jumper between A6TP101 and A6TP301. This connects the circuit common to earth ground. Remove this jumper when the isolation transformer is not used.**

---

### Dead Power Supply

1. Connect the negative lead of a DVM to A6TP301.
2. Check TP308 for +5 V.
3. Check TP302 for +15 V.
4. Check TP303 for -15 V.
5. Check TP304 for +28 V.
6. Check TP305 for -12.6 V.
7. Measure the voltage at TP108 to verify the output of the Input Rectifier. The voltage should be between +215 Vdc and +350 Vdc.
8. If it is not within this range, check the Input Rectifier, Input Filter, and the rear-panel line voltage selector switch.
9. Measure the voltage at TP206 to verify the output of the Kick- Start/Bias-Circuitry. The voltage should be approximately +14 Vdc.
10. If there is no voltage at TP206, check TP210 for pulses 200 ms wide with an amplitude of 14.7 V. If there are no pulses present, the kick-start circuitry is probably defective. If the pulses are low in amplitude (about 1 V), Q201 is probably shorted.

11. If there are pulses at TP206, or there are pulses at TP210, but not at TP206, the Buck Regulator Control circuitry is probably faulty.
12. Disconnect the power cord from the HP 8560A.
13. Connect the positive output of a current-limited dc power supply to the cathode of A6CR201 and the ground to A6TP201.
14. Set the current limit to about 500 mA and the voltage to 12 Vdc.
15. Connect a jumper from the power supply's +12 V output to the end of A6R202 physically nearest A6U211.
16. Connect a jumper from A6TP101 to A6TP301. This independently powers the Buck Regulator Control circuitry.
17. Connect a jumper from +12 Vdc to the end of C207 nearest C209.
18. If the current draw exceeds approximately 50 mA, suspect a short in the Buck Regulator Control circuitry or a shorted CR201.
19. Check TP204 for an 80 kHz sawtooth (4 Vp-p).
20. Check TP203 and TP207 for 40 kHz square (12 Vp-p). If the waveforms at either TP203 or TP207 are bad, one of the FETs in the DC-DC Converter is probably defective.
21. Check TP105 and TP106 for a 12 Vp-p sawtooth waveform that is Aattened at the bottom. If the waveform is a squarewave, the FET to which the test point is connected has failed or shorted.
22. Check TP202 for 80 kHz pulses (12 Vp-p).
23. Short TP401 to TP102. Check TP103 for a waveform similar to that in Figure 12-4.
24. If the waveform at TP202 is correct but the waveform at TP103 is bad, suspect either Q102 or CR106.



sk 1123

**Figure 12-4. Buck Regulator Waveform**

## Line Fuse Blowing

1. If the line fuse blows with the (LINE) switch off, suspect either the Input Filter or the power switch cable assembly.
2. If the line fuse blows when the HP 8560A is turned on, disconnect the power cord and lift the drain of A6Q102 from TP108. If the line fuse still blows, suspect U102.
3. If the fuse is working properly, check A6TP108 for a voltage of between +215 V and +350 v.
4. If the voltage at TP108 is correct, disconnect the power cord; remove and check A6Q102.
5. If Q102 is shorted, Q103, Q104, CR106, and CR108 are also probably shorted. If Q102 is working properly, measure the resistance between TP102 and TP101 (positive ohmmeter lead to TP102).
6. If the resistance is less than 1 k $\Omega$ , suspect either Q103 or Q104 in the DC-DC Converter.

## Supply Restarting Every 1.5 Seconds (Kick Start)

See function blocks G and L of A6 Power Supply Schematic Diagram in the Component- Level Information binder.

If there is a short on the power supply or on one of the other assemblies, the power supply will attempt to “kick start.” (Every 1.5 seconds the supply will attempt to start, but will be shut down by a fault condition.) The Kick Start and Bias circuits provide power for the control circuitry during power-up. The Kick Start circuitry is an RC oscillator which emits a 200 ms pulse every 1.5 seconds. These pulses switch current from the Input Rectifier through Q201 to charge C201. When the power supply is up, a winding on T103 provides power to the control circuitry. This voltage is high enough to keep Q201 turned off.

1. Monitor the waveforms at TP206 and TP208 simultaneously on an oscilloscope.
2. If the signal at TP208 goes high before the signal at TP206 goes low, an overcurrent condition has been detected. Suspect a short in the secondary (Output Rectifier, Voltage Regulators, or another assembly).

## Low Voltage Supplies

1. Connect the DVM's negative lead to A6TP301.
2. Check A6TP302 for +15 Vdc.
3. Check A6TP303 for -15 Vdc.
4. Check A6TP304 for +28 Vdc.
5. Check A6TP305 for -12.6 Vdc.
6. Check A6TP308 for +5 Vdc.
7. If the voltages measured above are correct but the power supply LEDs on the A2 Controller Assembly are not lit, check W1.
8. If the voltages are low, disconnect W1 from A6J1 and measure the test point voltages again. Unless a dummy load is connected to the A6 Power Supply, the voltages should return to their nominal voltages but be unregulated.

9. If the voltages do not return to near their nominal range, the A6 Power Supply is probably at fault.
10. If the +5 V supply is low, suspect the feedback circuit. Measure the voltage of the +5 V reference (U305 pin 5) and the  $\pm 7.5$  V references (U306B pin 7 and U306D pin 14).
11. Check output of U306A pin 1. If the feedback circuit is working properly, the output of U306A should be near +13 Vdc.
12. Check output of U302; its output should be high if the feedback circuit is working properly.

## High Voltage Supplies

1. Set the **(LINE)** switch off, disconnect the power cord, and remove the power supply shield.
2. Connect a DVM's negative lead to A6TP401 and positive lead to A6TP405.
3. Set the (LINE) switch on.
4. If the voltage displayed on the DVM is approximately +110 Vdc and the rear-panel CRT +110 VDC ON indicator is lit, A6A1 HV Module is probably at fault.

---

### Note

Ideally, the DVM should read the voltage written on the label of the A6A1 HV Module. If necessary, perform the High Voltage Power Supply adjustment in Chapter 2.

---

5. If the DVM does not read approximately +110 Vdc, measure the voltage on A6U401 pin 10. This is the HV-SHUT-DOWN signal and should be near +5 Vdc.
6. If HV-SHUT-DOWN is low, suspect a bad connection along W8 between the A6 Power Supply and the 17 CRT Driver.
7. If HV-SHUT-DOWN is correct, connect an oscilloscope to A6TP402. Connect the scope probe's negative lead to TP401. Set the oscilloscope to the following settings:
 

Sweep time	.....	10 $\mu$ s/div
Vertical Scale	.....	10 V/div
8. A nearly-sinusoidal waveform, greater than 30 Vp-p, with an approximately  $\pm 18$  Vdc offset, should be observed.
9. If the waveform is a dc voltage near 0 Vdc with narrow, positive- and negative-going pulses, the A6A1 HV Module is faulty. If the waveform is a dc voltage near +18 Vdc with narrow, positive- and negative-going pulses, connect the probe to TP403.
10. If the waveform at TP403 is a sawtooth waveform with a 1.8 V amplitude, the A6A1 HV Module is faulty.
11. If the TP403 waveform has pulses similar to those on TP402, the A6 Power Supply is probably faulty.

## CRT Supply Dropping Out

See function block K of A6 Power Supply Schematic Diagram in the Component-Level Information binder.

The CRT Supply is a separate switching supply which provides the +110 Vdc for the A17 CRT Driver from a winding on the A6A1 HV Module. The CRT Supply operates at approximately 30 kHz. The exact frequency is determined by the inductance of the primary winding of A6A1T1 and A6C407. The supply will only operate if the HV-SHUT-DOWN line is high.

If the power supply keeps dropping out, there is probably a short on the A17 CRT Driver assembly.

1. Disconnect W8 from A6J4.
2. Connect an IC clip to U401 and connect a jumper between U401 pin 10 and TP308 (+5 Vdc).
3. Connect a voltmeter to TP405 and set the (LINE) switch on.
4. Check TP405 for a voltage of approximately +110 Vdc. It will probably measure higher since there is no load on the supply.
5. If the voltage at TP405 is correct, suspect a short on A17. If the voltage at TP405 is not correct, check pin U401 pin 8 for a sawtooth signal. The sawtooth should be flat-topped and about 5 Vp-p at a frequency of about 30 kHz.
6. If the sawtooth is not flat-topped, suspect U402A and its associated circuitry.
7. If the sawtooth is correct, check the base of Q401 for 30 kHz pulses.
8. If the duty cycle is high, but there is no +110 Vdc, suspect the bridge rectifier, CR401 through CR404.

## Blanking Signal

1. Connect an oscilloscope probe to A25202 pin 3. Connect the oscilloscope ground lead to TP3. Set the oscilloscope to the following settings:

Sweep Time . . . . . 2ms/div  
Vertical Scale . . . . . 1 V/div

2. If a 4 Vp-p signal is not observed, the A2 Controller Assembly is faulty.
3. Repeat steps 1 and 2 with the oscilloscope probe on A25202 pin 14.
4. Set the oscilloscope to the following settings:

Sweep Time . . . . . 1  $\mu$ s/div  
Vertical Scale . . . . . 2 V/div

5. Connect the positive probe lead to A2J202 pin 15. This is the blanking output.
6. TTL-level pulses should be observed. If the signal is either always high or always low, the display will be blanked; suspect the A2 Controller Assembly.
7. If the signals on A2J202 pins 3, 14, and 15 are correct, troubleshoot the A17 CRT Driver.

## Buck Regulator Control

See function block H of A6 Power Supply Schematic Diagram in the Component-Level Information binder.

The Buck Regulator Control pulse-width modulates the Buck Regulator and provides a synchronized signal to the DC-DC Converter Control circuitry. The Buck Regulator Control has two feedback paths. The first is the output of the Buck Regulator, which provides coarse regulation. The second is the Feedback Circuit which samples and compares the +5 Vdc output of the Output Rectifier.

U202B and associated circuitry sense the output of the Input Rectifier and will turn off U203 if the voltage at TP108 goes below approximately +170 Vdc. Also, it will not allow U203 to start up until this voltage exceeds +215 Vdc. A low on the output of U202B will also clear the overcurrent latch in the DC-DC Converter Control circuitry.

Thermal shutdown occurs when RT201, mounted on the main heatsink, reaches a temperature of 100 C. When this occurs, the voltage at U203 pin 13 exceeds 0.6 V and inhibits pulses to the Buck Regulator.

R203, R204, U211, and associated circuitry provide feedforward for U203. This makes the loop gain independent of input line voltage and cancels 120 Hz ripple by more than 10 dB.

U202C and its associated circuitry permit the power supply to start up at low line voltages at low temperatures. At low line voltages U202C will draw charge away from C206 through R205. This allows the Buck Regulator to turn on and draw current through the thermistors in the Input Rectifier. This warms up the thermistors, thereby decreasing their resistance and increasing the voltage at TP108. When the voltage is sufficiently high at TP108, the output of U202C will open and C206 will be allowed to charge normally.

U202A converts the sawtooth at TP204 to a squarewave to drive the DC-DC Converter Control circuitry. The frequency of the sawtooth is determined by the resistance at pin 7 of U203 and the capacitance at pin 8 of U203.

## DC-DC Converter Control

See function block I of A6 Power Supply Schematic Diagram in the Component-Level Information binder.

The DC-DC Converter Control circuitry divides the 80 kHz squarewave from U202A and generates two complementary 40 kHz squarewaves to drive the FETs in the DC-DC Converter. Also, U202D and its associated circuitry monitor the voltage across sense resistor R116 in the DC-DC Converter. When the current through the FETs in the DC-DC Converter exceeds 1.8 A, the voltage across R116 will cause the output of U202D to go high. This sets a latch in U204 which turns off U203.

## Power Up

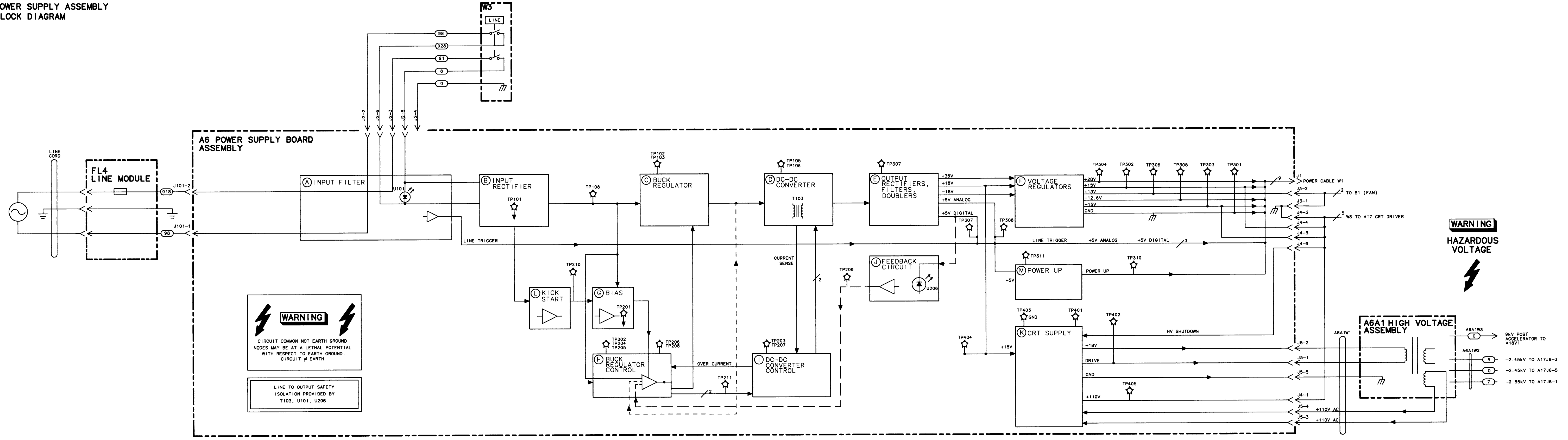
See function block M of A6 Power Supply Schematic Diagram in the Component-Level Information binder.

The Power Up circuitry generates the PWR UP signal, which tells the microprocessor that the supplies are up and stable. PWR UP will go high when the +5 Vdc supply exceeds +4.99 Vdc. PWR UP will go low when this voltage drops below +4.895 Vdc. Once PWR UP is set low, it will stay low for at least 50 ms before going high, even if the +5 Vdc supply exceeds +4.99 Vdc before 50 ms have elapsed.





POWER SUPPLY ASSEMBLY  
BLOCK DIAGRAM



**WARNING**

HAZARDOUS  
VOLTAGE

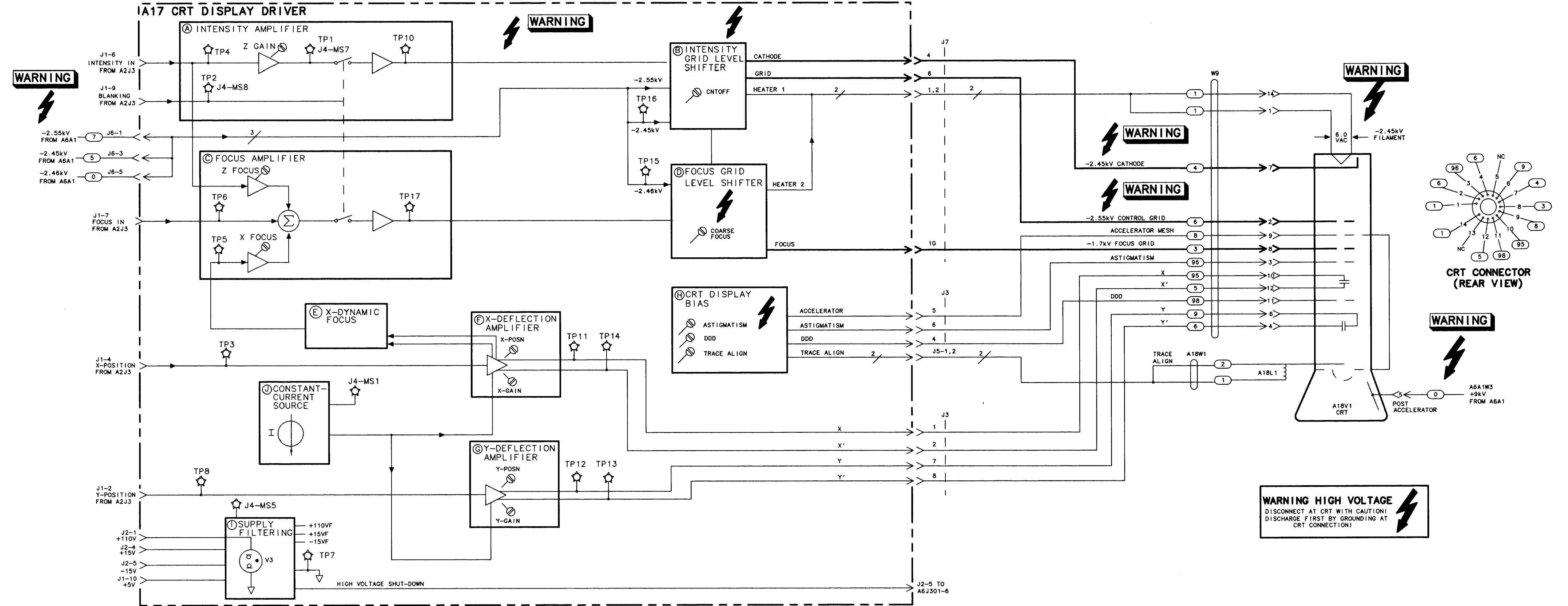


**WARNING**

CIRCUIT COMMON NOT EARTH GROUND  
NODES MAY BE AT A LETHAL POTENTIAL  
WITH RESPECT TO EARTH GROUND.  
CIRCUIT ≠ EARTH

LINE TO OUTPUT SAFETY  
ISOLATION PROVIDED BY  
T103, U101, U208

A17 CRT DISPLAY DRIVER BLOCK DIAGRAM



# A

## Component-Level Information Packets

---

Component-Level information is available for selected instrument assemblies. The information for each repairable assembly is provided in the form of Component-Level Information Packets (CLIPs). Each CLIP contains a parts list, component-location diagram, and schematic diagram. Each CLIP has an HP part number which is changed whenever the HP part number for its related instrument assembly is changed.

Table A-1 lists board assembly part numbers and corresponding component-level information packet (CLIP) part numbers. Table A-2 lists documented A4 Log Amplifier and A16 CAL OSC Board Assemblies shipped with HP 8560A Spectrum Analyzers serial prefixed below 3207A. Table A-3 lists documented RF board assemblies shipped with HP 8560A Spectrum Analyzers serial prefixed below 3029A.

Updated or replacement CLIPs may be ordered through your local Hewlett-Packard Sales or Service office using the CLIP part numbers provided in the following tables.

A complete set of the latest version of CLIPs can be ordered using HP Part Number 5958-7187.

CLIPs are packaged in protective plastic envelopes. To use and store your CLIPs effectively, the following accessories are available.

2-1/2 inch CLIP binder (for <b>25</b> to <b>30</b> packets)	HP part number 9282-1134
<b>2</b> inch CLIP binder (for 15 to 25 packets)	HP part number 9282-1133
1-1/2 inch CLIP binder (for fewer than 15 packets)	HP part number 9282-1132
Replacement plastic CLIP envelopes	HP part number 9222-1536

---

**Note** CLIPs may not be available for recently introduced assemblies.

---

**Table A-I. HP 8560A Spectrum Analyzer Documented Assemblies**

Board Assembly	Instrument Serial Prefix	Assembly Part Number	CLIP Part Number*
A1A1 Keyboard	2913A through 3147A 3204A and above	08562-60031 08562-60140	08562-90110 <b>08562-90188*</b>
A2 Controller Assembly	2913A through 2925A 2948A through 2949A 3003A through 3124A 3128A through 3204A 3207A and above	08560-60013 08563-60002 08563-60005 08563-60014 08563-60024†	08563-90010 08563-90011 08563-90012 08563-90035 <b>08563-90050*</b>
A3 Interface Assembly	2913A through 3009A 3014A through 3029A 3040A through 3109A 3115A 3121A through 3204A 3207A and above	08560-60015 08560-60003 08560-60008 08560-60009 08560-60013 08562-60144	08560-90021 08560-90042 08560-90068 08560-90069 08560-90070 <b>08560-90072*</b>
A4 Log Amplifier/CAL OSC	3207A and above	08560-60022†	<b>08560-90071*</b>
A5 IF Filter	2913A through 2949A 2950A through 3204A 3207A and above	08560-60011 08560-60029 08560-60061	08560-90025 08560-90026 <b>08560-90077*</b>
A6 Power Supply	2913A and above	08562-60094†	<b>08562-90111*</b>
A14 Frequency Control	2913A through 3003A 3006A through 3017A 3020A through 3217A 3218A and above	08560-60012 08560-60036 08560-60043 08560-60064†	08560-90028 08560-90029 08560-90043 <b>08560-90079*</b>
<p>† Denotes the current version of board assembly.                      ‡ Denotes rebuilt board assemblies available. Rebuilt board assembly part numbers have 9 as the second digit of the suffix. For example, 08562-69157 is the rebuilt part number for board assembly 08562-60157.</p>			

**Table A-I.**  
**HP 8580A Spectrum Analyzer Documented Assemblies (continued)**

Board Assembly	Instrument Serial Prefix	Assembly Part Number	CLIP Part Number'
A14 Frequency Control (Opt. 005)	3133A through 3217A 3218A and above	08560-60058 08560-60065†	08560-90073 <b>08560-90080*</b>
A15 RF Board (Std, Opt. 001, 002, 012)	3029A through 3115A 3120A through 3133A 3137A through 3216A 3217A and above	08562-60118 08562-60146 08562-60157 08562-60169†	08562-90112 08562-90185 08562-90184 <b>08562-90194*</b>
A15 RF Board (Opt. 003, 013, 123, 023)	3029A through 3115A 3120A through 3133A 3137A through 3216A 3217A and above	08562-60117 08562-60145 08562-60152 08562-60169†	08562-90113 08562-90185 08562-90184 <b>08562-90194*</b>
A17 CRT Driver	2913A through 3040A 3049A through 3137A 3146A through 3218A 3221A and above	08562-60039 08562-60112 08562-60165 08562-60166	08562-90114 08562-90117 08562-90187 <b>08562-90193*</b>
A19 HP-IB	2913A and above	08562-60042	<b>08562-90115*</b>
<p>*Denotes the current version of board assembly.          †Denotes rebuilt board assemblies available. Rebuilt board assembly part numbers have 9 as the second digit of the suffix. For example, 08562-69157 is the rebuilt part number for board assembly 08562-60157.</p>			

**Table A-2.**  
**A4 and A18 Assemblies Shipped with HP 8560As**  
**Serial Prefixed below 3207A**

Board Assembly	Instrument Serial Prefix	Assembly Part Number	CLIP Part Number
A4 Log Amplifier	2913A through 2948A	08560-60010	08560-90022
	2929A	08560-60033	08560-90023
	2950A through 3204A	08560-60035	08560-90024
A16 CAL OSC	2913A through 3204A	08560-60014	08560-90027

**Table A-3.  
A15 RF Assemblies Shipped with HP 8560As  
Serial Prefixed below 3029A**

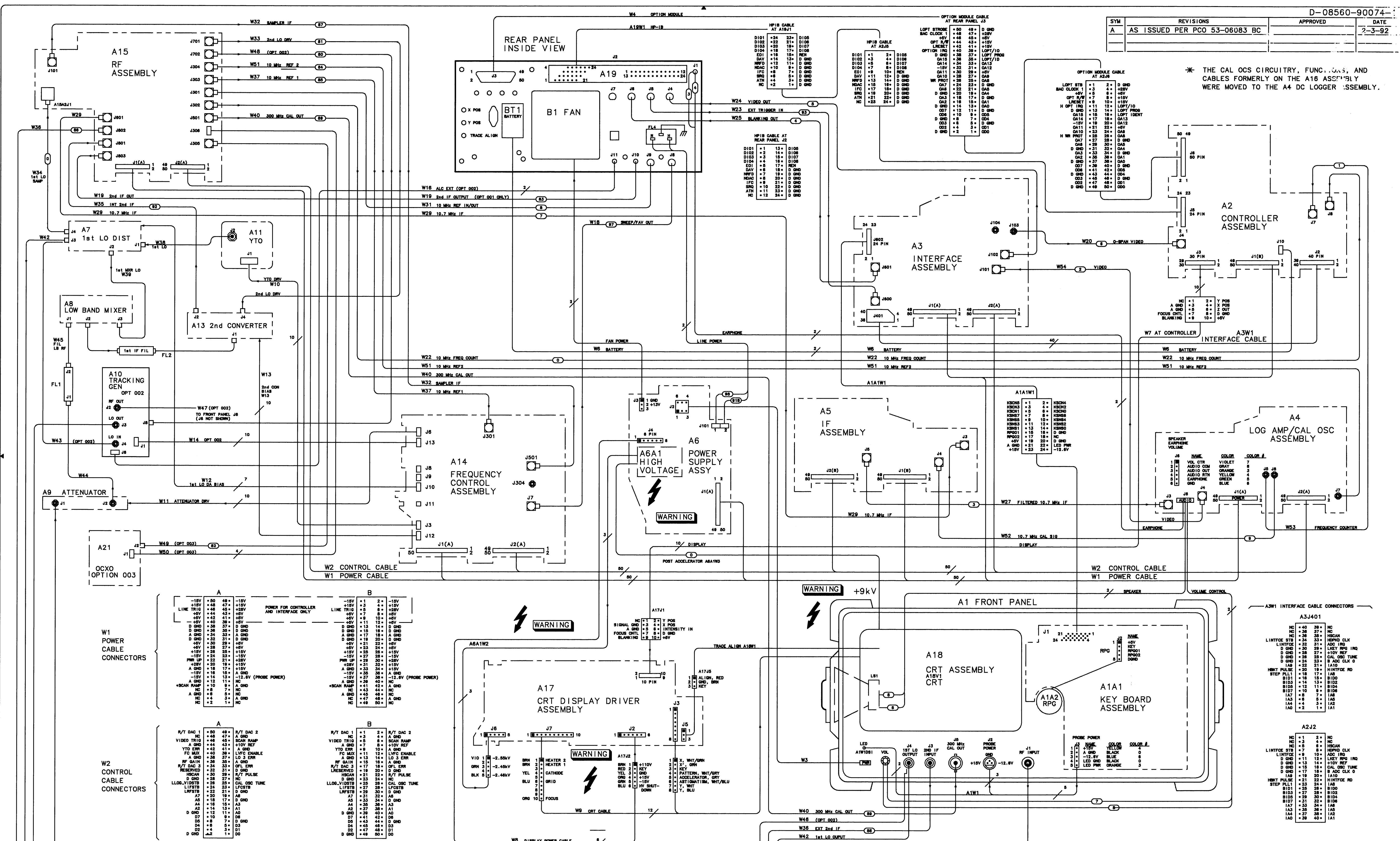
<b>RF Board Option</b>	<b>Instrument Serial Prefix</b>	<b>Assembly Part Number</b>	<b>CLIP Part Number</b>
A15 RF Board, Standard	2913A through 3009A 3017A through 3027A	08562-60103 08562-60122	08562-90104 08562-90107
A15 RF Board, Option 001	2913A through 3009A 3017A through 3027A	08562-60104 08562-60126	08562-90105 08562-90109
A15 RF Board, Option 002	2913A through 3009A 3017A through 3027A	08560-60024 08560-60037	08560-90030 08560-90031
A15 RF Board, Option 012	2913A through 3009A 3017A through 3027A	08560-60025 08560-60038	08560-90032 08560-90033
A15 RF Board, Option 003	2913A through 3009A 3017A through 3027A	08562-60101 08562-60121	08562-90102 08562-90106
A15 RF Board, Option 013	2913A through 3009A 3017A through 3027A	08562-60102 08562-60125	08562-90103 08562-90108
A15 RF Board, Option 023	2913A through 3009A 3017A through 3027A	08560-60026 08560-60039	08560-90034 08560-90035
A15 RF Board, Option 123	2913A through 3009A 3017A through 3027A	08560-60027 08560-60040	08560-90036 08562-90037





SYN	REVISIONS	APPROVED	DATE
A	AS ISSUED PER PCO 53-06083 BC		2-3-92

\* THE CAL OCS CIRCUITRY, FUNCTIONS, AND CABLES FORMERLY ON THE A16 ASSEMBLY WERE MOVED TO THE A4 DC LOGGER ASSEMBLY.



\* NOTE: SCAN RAMP FOR CONTROLLER AND INTERFACE ONLY

- W46 (OPT 002)
- W38 EXT 2nd IF (DELETED IN OPT 002)
- W42 1st LO OUTPUT (DELETED IN OPT 002)
- W41 RE INPUT

HP PROPRIETARY  
THIS DOCUMENT CONTAINS CONFIDENTIAL,  
PROPRIETARY INFORMATION THAT IS  
HEWLETT-PACKARD (HP) PROPERTY.  
DO NOT DISCLOSE TO OR DUPLICATE FOR  
OTHERS EXCEPT AS AUTHORIZED BY HP.

DRAWN BY	DATE
ENGINEER/CHECKER	DATE
RELEASE TO PROD.	DATE
SUPERSEDES DWG.	

BLOCK DIAGRAM 08560A INTERCONNECT DIAGRAM	TITLE
e1ab074 FILENAME	SCALE NONE
1 of 1 SHEET	08560-90074 PART NUMBER
	D-08560-90074-1