
User's Task Guide

© Copyright Hewlett-Packard Company 1993 - 1995

All Rights Reserved.
Reproduction, adaptation, or translation without prior written permission is prohibited, except as allowed under the copyright laws.

HP Part Number
04155-90010

Printing History

First edition, February 1994
Second edition, December 1994
Third edition, November 1995

Printed in Japan

MS-DOS® is U.S. registered trademark of Microsoft Corporation.

Lotus 1-2-3 is U.S. registered trademark of Lotus Development Corporation.

PageMaker is a trademark of Aldus Corporation.

Product Warranty

This Hewlett-Packard product is warranted against defects in material and workmanship for a period of one year from date of shipment. During the warranty period, Hewlett-Packard will, at its option, either repair or replace products which prove to be defective.

For warranty service or repair, this product must be returned to a service facility designated by Hewlett-Packard. Buyer shall prepay shipping charges to Hewlett-Packard and Hewlett-Packard shall pay shipping charges to return the product to Buyer. However, Buyer shall pay all shipping charges, duties, and taxes for products returned to Hewlett-Packard from another country.

Hewlett-Packard warrants that its software and firmware designated by Hewlett-Packard for use with an instrument will execute its programming instructions when properly installed on that instrument. Hewlett-Packard does not warrant that the operation of the instrument, or software, or firmware will be uninterrupted or error free.

Limitation of Warranty

The foregoing warranty shall not apply to defects resulting from improper or inadequate maintenance by Buyer, Buyer-supplied software or interfacing, unauthorized modifications or misuse, operation outside of the environment specifications for the products, or improper site preparation or maintenance.

No other warranty is expressed or implied. Hewlett-Packard specifically disclaims the implied warranties of merchantability and fitness for a particular purpose.

Exclusive Remedies

The remedies provided herein are the Buyer's sole and exclusive remedies. Hewlett-Packard shall not be liable for any direct, indirect, special, incidental, or consequential damages, whether based on contract, tort, or any other legal theory.

Assistance

Product maintenance agreements and other customer assistance agreements are available for Hewlett-Packard products.

For any assistance, contact your nearest Hewlett-Packard Sales Office.

Certification

Hewlett-Packard Company certifies that this product met its published specifications at the time of shipment [from the factory]. Hewlett-Packard further certifies that its calibration measurements are traceable to the **National Institute of Standards and Technology (NIST)**, to the extent allowed by the Institute's calibration facility, and to the calibration facilities of other International Standards Organization members.

Yokogawa-Hewlett-Packard, Ltd.
9-1, Takakura-Cho, Hachioji-Shi,
Tokyo, 192 Japan

Safety Summary

The following general safety precautions must be observed during all phases of operation, service, and repair of this instrument. Failure to comply with these precautions or with specific warnings elsewhere in this manual may impair the protection provided by the equipment. In addition it violates safety standards of design, manufacture, and intended use of the instrument. Hewlett-Packard Company assumes no liability for customer's failure to comply with these requirements.

NOTE

HP 4155A/4156A comply with INSTALLATION CATEGORY II and POLLUTION DEGREE 2 defined in IEC 1010-1.
HP 4155A/4156A are INDOOR USE products.

● GROUND THE INSTRUMENT

To minimize shock hazard, the instrument chassis and cabinet must be connected to an electrical ground. The power terminal and the power cable must meet International Electrotechnical Commission (IEC) safety standards.

● DO NOT OPERATE IN AN EXPLOSIVE ATMOSPHERE

Do not operate the instrument in the presence of flammable gases or fumes. Operation of any electrical instrument in such an environment constitutes a definite safety hazard.

● KEEP AWAY FROM LIVE CIRCUITS

Operation personnel must not remove instrument covers. Component replacement and internal adjustments must be made by qualified maintenance personnel. Do not replace components with power cable connected. Under certain conditions, dangerous voltages may exist even with the power cable removed. To avoid injuries, always disconnect power and discharge circuits before touching them.

● DO NOT SERVICE OR ADJUST ALONE

Do not attempt internal service or adjustment unless another person, capable of rendering first aid and resuscitation, is present.

● DO NOT SUBSTITUTE PARTS OR MODIFY INSTRUMENT

Because of the danger of introducing additional hazards, do not install substitute parts or perform any unauthorized modification to the instrument. Return the instrument to a Hewlett-Packard Sales and Service Office for services and repair to ensure that safety features are maintained.

● DANGEROUS PROCEDURE WARNINGS

Warnings, such as example below, precede potentially dangerous procedures throughout this manual. Instructions contained in the warnings must be followed.

WARNING

Dangerous voltages, capable of causing death, are present in this instrument. Use extreme caution when handling, testing, and adjusting.

Safety Symbols

The general definitions of safety symbols used on equipment or in manuals are listed below.



Instruction manual symbol: the product will be marked with this symbol when it is necessary for the user to refer to the instruction manual in order to protect against damage to the instrument.



Indicates dangerous voltage (terminals fed from the interior by voltage exceeding 1000 volts must be so marked).



Indicates earth (ground) terminal.



Frame or chassis terminal. A connection to the frame (chassis) of the equipment which normally includes all exposed metal structures.



Alternating current.



Direct current.



ON (Supply).

OFF (Supply).

WARNING

The warning sign denotes a hazard. It calls attention to a procedure, practice, condition or the like, which, if not correctly performed or adhered to, could result in injury or death to personnel.

CAUTION

The caution sign denotes a hazard. It calls attention to an operating procedure, practice, condition or the like, which, if not correctly performed or adhered to, could result in damage to or destruction of part or all of the product.

Herstellerbescheinigung

GERÄUSCHEMISSION

Lpa < 70 dB
am Arbeitsplatz
normaler Betrieb
nach DIN 45635 T. 19

Manufacturer's Declaration

ACOUSTIC NOISE EMISSION

Lpa < 70 dB
operator position
normal operation
per ISO 7779

Introduction

HP 4155A/4156A is an electronic instrument for measuring and analyzing the characteristics of semiconductor devices. This one instrument allows you to perform *both* measurement *and* analysis of measurement results.

highly accurate measurements.

HP 4155A/4156A has four highly accurate source/monitor units (SMUs), two voltage source units (VSUs), and two voltage measurement units (VMUs). The HP 4156A is designed for Kelvin connections and has high-resolution SMUs (HRSMUs), so HP 4156A is especially suited for low resistance and low current measurements. You can measure voltage values with a resolution of 0.2 μV by using the differential measurement mode of VMUs.

reliability testing.

HP 4155A/4156A can perform *stress* testing. That is, can force a specified dc voltage or current for the specified duration.

Also, you can force ac stress by using pulse generator units (PGUs), which are installed in HP 41501A SMU/Pulse Generator Expander. The HP 41501A is attached to HP 4155A or HP 4156A, and can be equipped with a ground unit (GNDU), high power SMU (HPSMU), two medium power SMUs (MPSMUs), or two PGUs.

data storing and printing.

HP 4155A/4156A can print and store, in addition to performing measurement and analysis. You can store measurement setup information, measurement data, and instrument setting information on a 3.5-inch diskette inserted into the disk drive of HP 4155A/4156A. And you can print the setting information and measurement results on a plotter or printer that is connected to HP 4155A/4156A.

remote control.

HP 4155A/4156A can be controlled by an external controller via HP-IB by using remote control commands. These commands are based on Standard Commands for Programmable Instruments (SCPI), so you can easily develop measurement programs.

HP 4155A/4156A has internal HP Instrument BASIC, so you can develop and execute measurement programs by using the HP 4155A/4156A only, without using an external controller.

In This Manual

This manual gives step-by-step instructions for performing common HP 4155A/4156A tasks, and consists of the following chapters:

NOTE

If you have never used the HP 4155A/4156A or HP 4145A/B, read the HP 4155A/4156A *Quick Start Guide* first before reading this manual. The *Quick Start Guide* gives you an overview of the product and a brief introduction, which is a good first step for beginners.

- Introducing the HP 4155A/4156A
This chapter is an overview of the HP 4155A/4156A.
- Installation
This chapter describes how to install HP 4155A/4156A, accessories, and peripherals.
- Making a Measurement
This chapter describes device connections, making a sweep measurement, knob sweep measurement, and sampling measurement, and forcing stress.
- Analyzing Measurement Results
This chapter describes how to analyze measurement results manually and automatically.
- Filer and Hardcopy
This chapter describes how to print or plot out measurement results or measurement setups.
- If You Have a Problem
This chapter provides problem-solving information that you may encounter.
- Manual Changes Depending on ROM Version
- Index

Other Manuals.

Also the following manuals about HP 4155A/4156A are available:

- **User's Dictionary Reference**

This manual is a dictionary reference for all parts and functions of the HP 4155A/4156A, and consists of the following chapters:

- Measurement Units
- Measurement Mode
- Measurement Functions
- Page Organization
- Print/Plot Function
- Data Variable and Analysis Function
- Softkey Maps and External Keyboard
- Specifications
- Accessories and Options
- Manual Changes Depending on ROM Version
- Index

- **Programmer's Guide**

This manual provides information about controlling the HP 4155A/4156A by remote command via HP-IB interface and HP Instrument BASIC, and consists of the following chapters:

- Using HP Instrument BASIC
- Reference: HP Instrument BASIC
- Getting Started on Programming the HP 4155A/4156A
- HP 4155A/4156A SCPI Programming
- Running HP 4145A/B Program Directly on HP 4155A/4156A
- Sample Application Programs
- Manual Changes Depending on ROM Version

- **HP-IB Command Reference**

This manual is a complete reference of HP-IB commands, and consists of the following chapters:

- SCPI Commands
- HP 4145B Syntax Commands
- Manual Changes Depending on ROM Version
- Index

- **Quick Start Guide**

This manual is mainly for beginners and provides brief instructions about using HP 4155A/4156A.

Text Conventions.

The following text conventions are used in this manual:






Front-panel key	Represents a key physically located on HP 4155A/4156A or external keyboard.
Softkey	Represents a softkey that appears on screen of HP 4155A/4156A.
Screen Text	Represents text that appears on screen of HP 4155A/4156A.
<i>Italic</i>	Refers to a related document, or is used for emphasis.

1

2

3

Contents

1. Introducing the HP 4155A/4156A	
Overview of HP 4155A/4156A	1-3
Configuration of HP 4155A/4156A and HP 41501A	1-4
Front View of HP 4155A/4156A	1-5
Rear View of HP 4155A/4156A	1-9
	1-10
	1-10
	1-11
Front and Rear View of HP 41501A	1-12
	1-13
An Overview of Functions	1-19
Operation and Control	1-20
Measurements and Results Display	1-22
Graphical Analysis	1-25
Data Storage	1-26
Plotting and Printing	1-27
2. Installation	
	2-2
Requirements	2-3
Power Requirements	2-4
Power Cable	2-5
Ventilation Requirements	2-7
Operating Environment	2-7
Cleaning	2-7
Setting up HP 4155A/4156A	2-8
To Inspect HP 4155A/4156A and Accessories	2-8
To Install HP 41501A SMU/Pulse Generator Expander	2-9
To Check HP 4155A/4156A Operation	2-10
Installing Accessories	2-12
To Install Connector Plate	2-13
To Connect Interlock Terminal	2-17

To Connect Connector Plate and DUT	2-22
To Install HP 16442A Test Fixture	2-29
To Install HP 16441A R-Box	2-35
To Install HP 16440A SMU/Pulse Generator Selector	2-38
To Connect HP 16440A Selector to HP 4155A/56A	2-45
Installing Peripherals	2-47
To connect with another pulse generator	2-48

3. Making a Measurement

Connection to Device Under Test (DUT)	3-3
To Mount a DUT on Test Fixture	3-4
To Make Connections to Reduce Leakage Current	3-6
To Make Connections to Measure Low Resistance (For HP 4156A Only)	3-8
Sweep Measurements	3-10
To Define Sweep Measurement Units	3-12
To Set up Primary Sweep Source	3-14
To Set up Secondary Sweep Source	3-16
To Set up Synchronous Sweep Source	3-18
To Set up Constant Output	3-20
To Set up SMU Pulsed Output	3-21
To Set up PGU Pulsed Output	3-24
To Output Same Value Before and After Measurements	3-27
To Define a User Function	3-28
To Set up Graphical Display of Measurement Results	3-30
To Set up List Display of Measurement Results	3-32
To Execute or Stop Measurement	3-33
To Control R-Box	3-34
Knob Sweep Measurements	3-37
To Execute Knob Sweep Measurement	3-38
To Stop Knob Sweep Measurement	3-42
Sampling Measurements	3-43
To Define Sampling Measurement Units	3-45
To Set up Sampling Parameters	3-47
To Set up Constant Output	3-49
To Define Measurement Stop Conditions	3-51
Stress Force	3-53
To Set up Stress Source Channels	3-55
To Set up Stress Condition/Timing	3-57
To Set up AC (Pulse) Stress	3-60
To Set up DC Stress	3-62

To Force Stress	3-64
To Control Selector for Switching SMU and PGU	3-66
4. Analyzing Measurement Results	
Manual Analysis	4-3
To Specify a Measurement Point on Curve	4-4
To Specify between Measurement Points on Curve	4-6
To Display or Move Cursor	4-8
To Adjust Display Range to Measurement Curve Automatically	4-10
To Zoom the Display Range	4-11
To Center Display at Cursor Location	4-12
To Draw Line through Two Specified Points	4-13
To Draw Line through Specified Point with Specified Gradient	4-15
To Draw Tangent to Specified Point of Measurement Curve	4-17
To Draw Regression Line for Specified Region	4-19
To Display and Select a Line	4-22
To Display Grid on the Graph	4-23
To Change Data Variable on Graph	4-24
To Change Range of X or Y Axis Scale	4-25
To Change Variable Assigned to X, Y1, or Y2 Axis	4-26
To Overlay an Internal Memory Measurement Curve onto Plotting Area	4-27
To Scroll the LIST Page	4-29
To Display or Move Marker on LIST Page	4-30
To Change Variables of LIST page	4-32
Automatic Analysis	4-33
To Draw Line by Specifying Two Points	4-34
To Draw Line by Specifying Gradient and One Point	4-36
To Draw Tangent to Specified Measurement Point	4-38
To Draw Regression Line by Specifying Two Points	4-40
To Display Marker at Specified Point	4-43

5. Filer	
File Operations	5-3
To List File Names Stored on Diskette	5-5
To Store Setup or Result Data onto Diskette	5-7
To Store Setup or Result Data into Internal Memory	5-9
To Store Result Data in Spreadsheet Format	5-11
To Load Setup or Result Data from Diskette	5-13
To Load Setup or Result Data from Internal Memory	5-16
To Rename a File on Diskette	5-18
To Remove a File from Diskette	5-19
To Copy File on Diskette to Another Diskette	5-21
To Copy Setup or Result Data from Internal Memory to Diskette	5-23
To Initialize a Diskette	5-24
To Backup a Diskette	5-26
6. If You Have A Problem	
When You Install the HP 4155A/4156A	6-4
If HP 4155A/4156A cannot be Powered on	6-5
If Measurement Units of HP 41501A are not Displayed on the CHANNELS: CHANNEL DEFINITION Page	6-6
If External Keyboard does not Work	6-7
If Display Page does not Appear after Applying Power	6-7
If HP 16442A Test Fixture is not Stable	6-7
When You Make A Measurement	6-8
If Measured Value Oscillates when Measuring High-Frequency Devices	6-9
If Measured Value Oscillates when Measuring Negative Resistance	6-10
If Noise Affects the Measured Values	6-12
If Measured Voltage has some Error when Forcing a Large Current	6-13
If Large Current Causes High Temperature (Thermal Drift)	6-13
If Measurement Takes More Time than Specified	6-14
If Measurement Damages the Device under Test	6-14
If You Get Unexpected Data when Performing Sampling Measurement	6-15
If Errors Occur	6-16
If Errors Occur when You Perform Self-calibration or Diagnostics	6-17

Change 1

If an error occurs when you operate HP 4155A/4156A 6-25
If a Measurement Data Status is Displayed. 6-40

7. Manual Changes Depending on ROM Version

Change 1 7-3

Index

Figures

1-1. Front View of HP 4155A/4156A	1-5
1-2. Rear View of HP 4155A/4156A	1-9
1-3. Front and Rear View of HP 41501A	1-12
1-4. Rear View of HP 41501A Option 402	1-14
1-5. Rear View of HP 41501A Option 410	1-15
1-6. Rear View of HP 41501A Option 412	1-16
1-7. Rear View of HP 41501A Option 420	1-17
1-8. Rear View of HP 41501A Option 422	1-18
2-1. Power Cables	2-5
2-2. Dimensions of Connector Plate for HP 4155A (HP Part Number: 04155-60006)	2-14
2-3. Dimensions of Connector Plate for HP 4156A (HP Part Number: 04156-60002)	2-15
2-4. Dimensions of Connector Plate for HP 41501A (HP Part Number: 41501-60004)	2-16
2-5. Dimensions of Interlock Switch (HP part number 3101-0302)	2-20
2-6. Dimensions of Interlock Switch (HP part number 3101-3241)	2-20
2-7. Dimensions of LED (HP part number 1450-0641)	2-21

Tables

1-1. Configuration of HP 41501A	1-4
2-1. Connectors on Connector Plate	2-15

Introducing the HP
4155A/4156A

Introducing the HP 4155A/4156A

The HP 4155A semiconductor parameter analyzer and HP 4156A precision semiconductor parameter analyzer are made for use in semiconductor laboratories and factories. The HP 4155A/4156A can measure device characteristics. The HP 4155A/4156A can do the following:

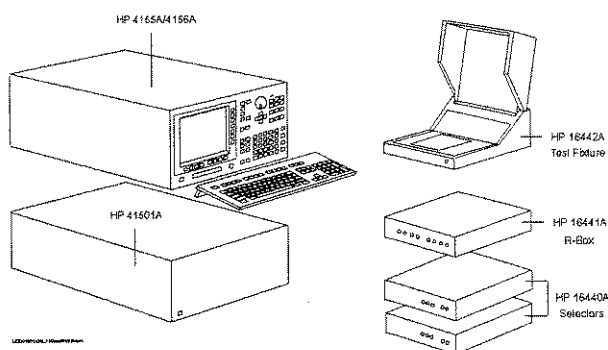
- Perform measurements.
- Graph the device characteristics.
- Extract device parameters.
- Perform go, no-go evaluation.
- Perform reliability (stress test) evaluation.

The HP 4155A/4156A is easy to operate and can perform automatic graphical analysis like the HP 4145B. In addition, the HP 4155A/4156A is also easy to use in a system, which expands areas of application to quality assurance and in-line monitoring.

In this chapter.

This chapter provides a view of front and rear panels of the HP 4155A/4156A and its accessories, and briefly describes the HP 4155A/4156A functions.

Overview of HP 4155A/4156A



HP 4155A/4156A is a box type electronic measurement instrument with CRT display, flexible disk drive, operation keys, and interface connectors.

You can connect a keyboard (HP C1405B) to the HP 4155A/4156A. So, you can operate this instrument by using a keyboard or the front-panel keys.

HP 16442A is the test fixture for HP 4155A/4156A. You can mount your DUT on the HP 16442A, and measure the device characteristics.

HP 41501A SMU and pulse generator expander contains PGUs and additional SMUs. HP 41501A is attached to and controlled by HP 4155A/4156A.

HP 16441A R-Box contains accurate 10 k Ω , 100 k Ω , and 1 M Ω resistors, and connection of these resistors is controlled by the HP 4155A/4156A. The HP 16441A is used to measure negative resistance and to prevent DUT damage when performing breakdown measurements.

HP 16440A SMU/pulse generator selector contains two switching circuits to connect the DUT to either an SMU or PGU. You can attach another HP 16440A to add two more switching circuits.

Configuration of HP 4155A/4156A and HP 41501A

HP 4155A, HP 4156A, and HP 41501A are frames that contain the measurement units. The measurement units are installed before the product is shipped from factory. User cannot reconfigure the installed units.

- HP 4155A configuration:
 - four medium power source monitor units (MPSMUs).
 - two voltage source units (VSUs).
 - two voltage monitor units (VMUs).
- HP 4156A configuration:
 - four high resolution source monitor units (HRSMUs).
 - two voltage source units (VSUs).
 - two voltage monitor units (VMUs).

HP 4156A has higher measurement resolution. For details about measurement range and resolution, refer to "Measurement Units" in *HP 4155A/4156A User's Dictionary Reference*.

- HP 41501A configuration:

HP 41501A is attached to the HP 4155A/4156A at your site. See Chapter 2 on how to install the HP 41501A.

The HP 41501A contains a ground unit (GNDU). In addition, you specify an option number according to desired units as follows:

Table 1-1. Configuration of HP 41501A

Unit	HP 41501A Option ...				
	402	410	412	420	422
One GNDU	•	•	•	•	•
Two PGUs	•		•		•
Two MPSMUs				•	•
One HPSMU ¹		•	•		

¹ HPSMU: high power source monitor unit

Front View of HP 4155A/4156A

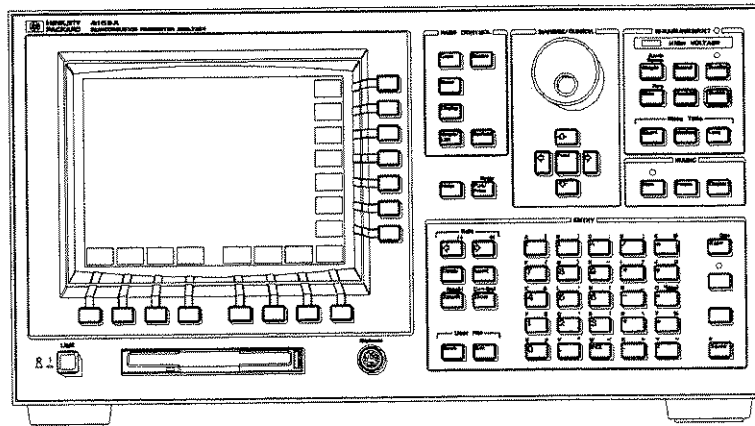


Figure 1-1. Front View of HP 4155A/4156A

LINE switch.

Use the LINE switch to turn analyzer on and off.

Flexible disk drive (FDD).

Use 3.5 inch diskette to load or store the analyzer settings and measurement data.

Keyboard connector.

You can use an IBM PC/AT compatible keyboard (HP C1405B) to operate the HP 4155A/4156A. See "Softkey Maps and External Keyboard" in *HP 4155A/4156A User's Dictionary Reference*.

Overview of HP 4155A/4156A

PAGE CONTROL key group.



Page Control keys are used to change the pages.



- Chan** Moves to CHANNELS page group. You define channels, user functions, and user variables.
- Meas** Moves to MEASURE page group. You set the output parameters, measurement parameters, and so on.
- Display** Moves to DISPLAY page group. You set the result display format, auto analysis definitions, and so on.
- Graph/List** Moves to GRAPH/LIST page group. This softkey toggles between GRAPH and LIST pages.
- Stress** Moves to STRESS page group. You define the stress channels, set the stress parameters, and monitor the stress forcing.
- System** Moves to SYSTEM page group. You operate on diskette files, set up plotting and printing environment, define colors of the display, and so on.

MARKER/CURSOR key group.

Rotary knob and arrow keys of the Marker/Cursor key group are used to move the marker and cursor.

Rotary knob Moves the marker, or increases or decreases setup value.

  Moves field pointer or cursor.

 and 

Fast Moves the marker or cursor faster. When you rotate the rotary knob or press the arrow keys with holding **Fast** key down, the marker or cursor moves faster.

MEASUREMENT key group.

Measurement keys control the measurement, stress, and integration time.

- Single** Executes the measurement once, then returns to the idle state (or standby state if standby is enabled for the channel) after the measurement is finished. Measurement data is updated, so data of previous measurement is lost. Pressing the green key, then **Single** key starts *knob sweep* measurement.
- Repeat** Starts and repeats the measurement continuously. Measurement data is updated, so data of previous measurement is lost. To stop the measurement, press **Stop** key.
- Append** Executes the measurement once, then returns to idle state (or standby state if standby is enabled for the channel) after measurement is finished. Measurement data is appended to data of previous measurement.
- Stop** Stops the measurement or stress. Standby enabled channels return to standby state, and other channels return to idle state.
- Standby** Toggles between the standby enabled (Standby indicator is lit) and disabled states. If Standby indicator is lit, then **STBY ON** channels change to standby state (instead of idle state) when measurement or stress finishes. **Stop** key has no affect on standby state.
- Stress** Forces the specified stress. The guide around this key prevents you from accidentally pressing the **Stress** key.
- Short**,
Medium,
and **Long** Sets the integration time to SHORT, MEDIUM, or LONG, respectively.

MEASUREMENT indicator.

This indicator lights when HP 4155A/4156A is in the measurement state.

HIGH VOLTAGE indicator.

This indicator lights when a unit forces more than 40 V.

Standby indicator.

This indicator lights when the HP 4155A/4156A is standby enabled, which means that the channels that are standby enabled (**STBY ON**) will return to the standby state after the measurement is finished.

IBASIC key group.

IBASIC keys control the IBASIC program execution.

- Run** Starts the IBASIC program that is in memory. The indicator is on during program execution.
- Pause** Pauses the IBASIC program execution.
- Display** Toggles between the IBASIC screen and measurement screen.

Run indicator.

When an IBASIC program is running, this indicator lights.

ENTRY key group.

You enter or modify data such as output values, comments, and variable names.

Character keys Are used to enter alphanumeric and special characters.

- Enter** After you enter desired characters into the data entry field, press this key. The characters are entered at the field pointer location.
Also, you can use the green key to calculate the value of the data entry field. For example, if you press **4** ***** **6** greenkey **Enter**, the result (24) appears.

Blue key Changes entry mode to blue-key shift mode, and lights the indicator. In this mode, you can enter the blue characters that are printed above the keys. Pressing blue key again changes to normal mode. Indicator turns off.

Green key Changes entry mode to green-key shift mode. This mode is effective for the next pressed key, then changes back to normal mode.

Edit keys Are used to edit the characters in the data entry field.

User File keys Are used to operate quickly on a diskette file. Pressing **Save** moves into the filer's SAVE function, and pressing **Get** moves into the filer's GET function.

Help key.

Pressing **Help** displays the *help* pages.

Plot/Print key.

Pressing **Plot/Print** prints the setup information and measurement results to your plotter, printer, or diskette file. If you press green key and **Plot/Print**, the screen image is dumped to plotter, printer, or diskette file.

Rear View of HP 4155A/4156A

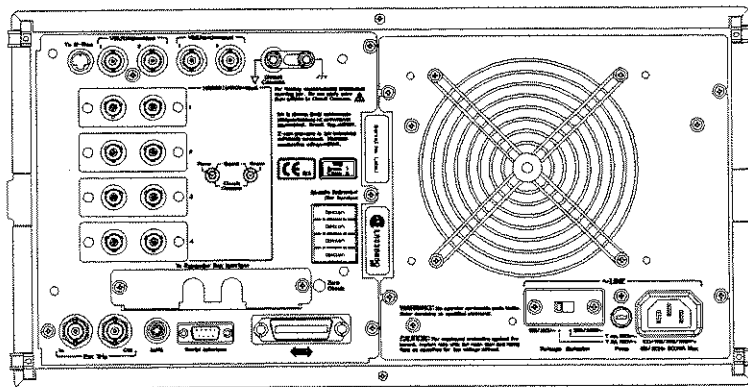
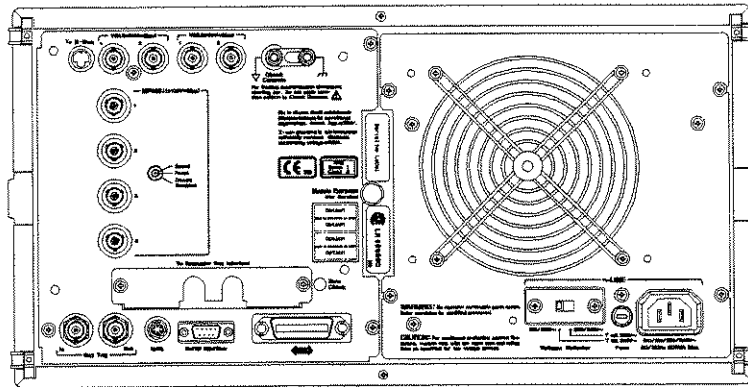


Figure 1-2. Rear View of HP 4155A/4156A

Introducing the HP 4155A/4156A

Overview of HP 4155A/4156A

To R-Box terminal.

"To R-Box" terminal is a 10-pin connector. To use R-Box, connect this terminal to control terminal of HP 16441A R-Box.

VSU terminals.

VSU output terminals are BNC connectors. To use VSUs, connect these terminals to VSU terminals of HP 16442A or connector plate.

VMU terminals.

VMU input terminals are BNC connectors. To use VMUs, connect these terminals to VMU terminals of HP 16442A or connector plate.



Circuit Common () and Frame ground () terminals.

For floating measurement, remove the shorting bar (HP part number 5000-4206).

WARNING

Do not float the Circuit Common terminal at voltages greater than ± 42 V referenced to frame ground. Failure to heed this warning may result in damage to HP 4155A/4156A.

Serial number.

You need this *serial number* when using the telephone assistance program (HP HelpLine).

Voltage selector.

Voltage selector must be in proper position. Line voltage and position are:

Line Voltage	Position
90-132 Vac	left
198-264 Vac	right



Fuse.

Use the following fuse:

Line	Fuse type	HP part number
100/120 Vac	UL/CSA T 8A, 250 Vac	2110-0383
220/240 Vac	UL/CSA T 4A, 250 Vac	2110-0014

LINE input receptacle.

AC power cable is connected to this receptacle.

SMU terminals.

HP 4155A has four triaxial connectors. HP 4156A has eight triaxial connectors, and you can use Kelvin connections. When you use HP 16442A test fixture and Kelvin connections, up to 3 SMUs can be connected to HP 16442A test fixture.

To Expander Box Interface.

When you use HP 41501A, you insert the board for HP 41501A into this interface.

Zero Check terminal.

Ground reference point of the HP 4155A/4156A.

Ext Trig terminals.

Two BNC connectors: one for trigger input, and one for trigger output.



Intlk terminal.

Used in conjunction with interlock function of HP 4155A/4156A. If the Intlk terminal is open, maximum SMU output is limited to ± 40 V. Be sure to connect this terminal to HP 16442A test fixture or connector plate before performing measurement. If you use connector plate, you must install interlock circuit. For details on how to install the interlock circuit, see "To Connect Interlock Terminal" in Chapter 2.

WARNING

Dangerous voltage of up to the maximum voltage of SMUs may be present at force, guard, and sense terminals if the interlock terminal is shorted.

Serial Interface connector.

9-pin female connector for RS-232-C serial communication.

HP-IB connector.

Use HP 10833A/B/C/D HP-IB cable.

Introducing the HP 4155A/4156A
Overview of HP 4155A/4156A

Front and Rear View of HP 41501A

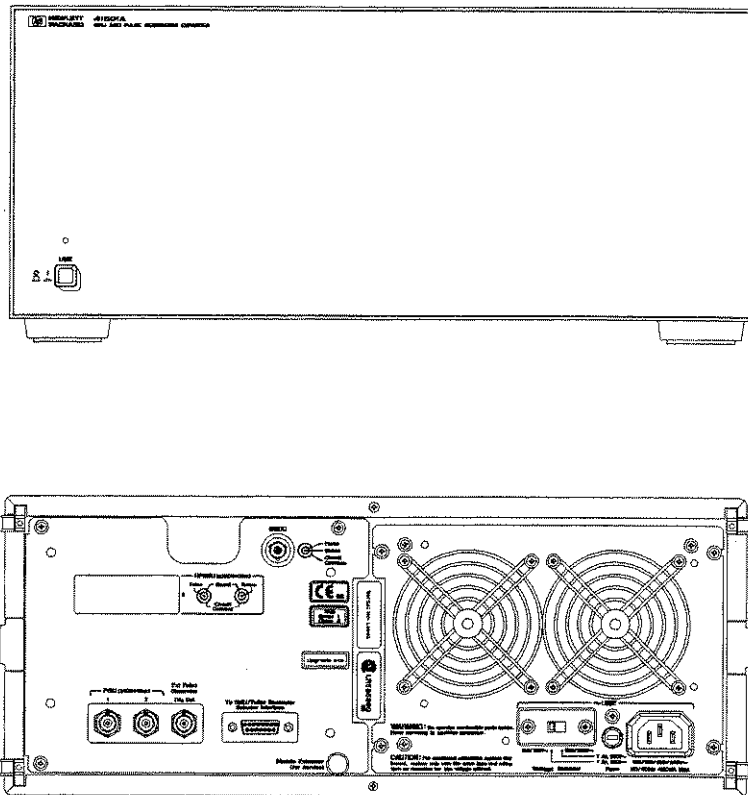


Figure 1-3. Front and Rear View of HP 41501A

LINE switch.

Use the LINE switch to turn HP 41501A on and off. *You must turn on the HP 41501A before turning on the HP 4155A/4156A.*



Fuse.

Use the following fuse:

<u>Line</u>	<u>Fuse type</u>	<u>HP part number</u>
100/120 Vac	UL/CSA T 8A, 250 Vac	2110-0383
220/240 Vac	UL/CSA T 4A, 250 Vac	2110-0014

Voltage Selector.

Voltage selector must be in proper position. Line voltage and position are:

<u>Line Voltage</u>	<u>Position</u>
90–132 Vac	left
198–264 Vac	right

LINE input receptacle.

AC power cable is connected to this receptacle.

Serial number.

The HP 41501A has its own serial number. You need this *serial number* when using the telephone assistance program (HP HelpLine).

GNDU connector.

The GNDU connector is a triaxial connector: inner conductor is sense, middle conductor is force, and outer conductor is circuit common.

Introducing the HP 4155A/4156A
Overview of HP 4155A/4156A

Option 402

HP 41501A Option 402 has two PGUs.

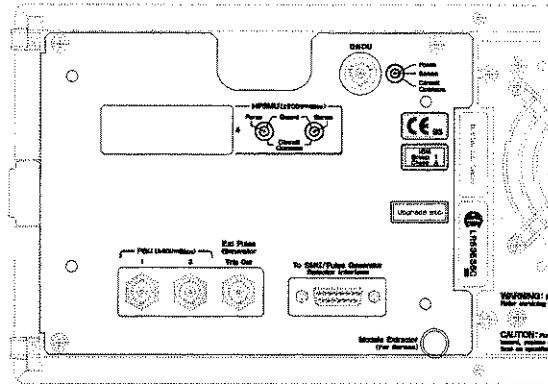


Figure 1-4. Rear View of HP 41501A Option 402

PGU output terminals.

BNC connectors. Inner conductor is force and outer conductor is circuit common.

Ext Pulse Generator Trig Out terminal.

Trigger pulses synchronized with PGU pulses are output. This trigger is used to synchronize the PGU pulse outputs with external pulse generators. You *cannot* change the parameters of this trigger. For details about PGU trigger, see "Measurement Functions" in *HP 4155A/4156A User's Dictionary Reference*.

To SMU/Pulse Generator Selector Interface.

D-SUB 15-pin connector is used to control the HP 16440A SMU/pulse generator selector.

Option 410

HP 41501A Option 410 has one HPSMU.

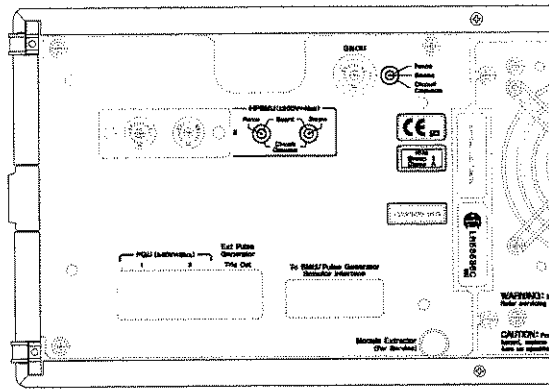


Figure 1-5. Rear View of HP 41501A Option 410

HPSMU terminals.

There are two triaxial connectors for Kelvin connections: one is for force and the other is for sense.

Introducing the HP 4155A/4156A
Overview of HP 4155A/4156A

Option 412

HP 41501A Option 412 has one HPSMU and two PGUs.

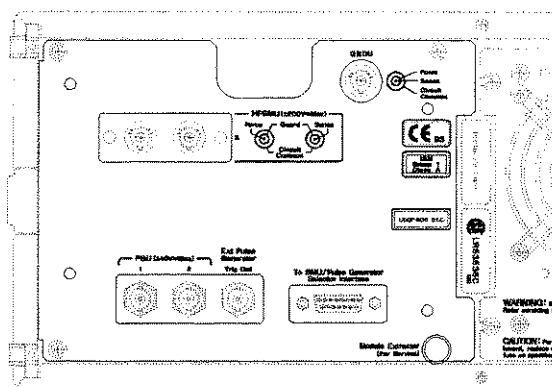


Figure 1-6. Rear View of HP 41501A Option 412

HPSMU terminals.

There are two triaxial connectors for Kelvin connections: one is for force and the other is for sense.

PGU output terminals.

BNC connectors. Inner conductor is force and outer conductor is circuit common.

Ext Pulse Generator Trig Out terminal.

Trigger pulses synchronized with PGU pulses are output. This trigger is used to synchronize the PGU pulse outputs with external pulse generators. You *cannot* change the parameters of this trigger. For details about PGU trigger, see "Measurement Functions" in *HP 4155A/4156A User's Dictionary Reference*.

To SMU/Pulse Generator Selector Interface.

D-SUB 15-pin connector is used to control the HP 16440A SMU/pulse generator selector.

Option 420

HP 41501A Option 420 has two MPSMUs.

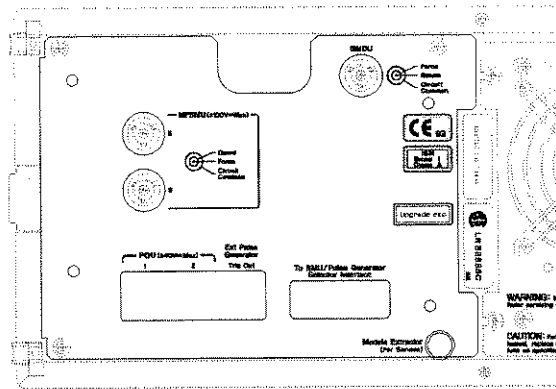


Figure 1-7. Rear View of HP 41501A Option 420

MPSMU terminals.

Two MPSMUs are installed and each MPSMU has a triaxial connector. But these connectors are not designed for Kelvin connections.

Introducing the HP 4155A/4156A
Overview of HP 4155A/4156A

Option 422

HP 41501A Option 422 has two MPSMUs and two PGUs.

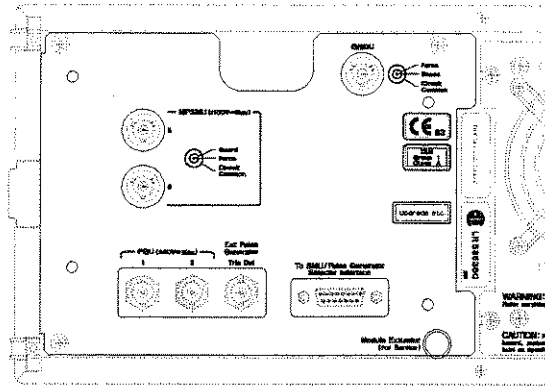


Figure 1-8. Rear View of HP 41501A Option 422

MPSMU terminals.

Two MPSMUs are installed and each MPSMU has a triaxial connector. These connectors are not designed for Kelvin connections.

PGU output terminals.

BNC connectors. Inner conductor is force and outer conductor is circuit common.

Ext Pulse Generator Trig Out terminal.

Trigger pulses synchronized with the PGU pulses are output. This trigger is used to synchronize the PGU pulse outputs with external pulse generators. You *cannot* change the parameters of this trigger. For details about PGU trigger, see "Measurement Functions" in *HP 4155A/4156A User's Dictionary Reference*.

To SMU/Pulse Generator Selector Interface.

D-SUB 15-pin connector is used to control the HP 16440A SMU/pulse generator selector.

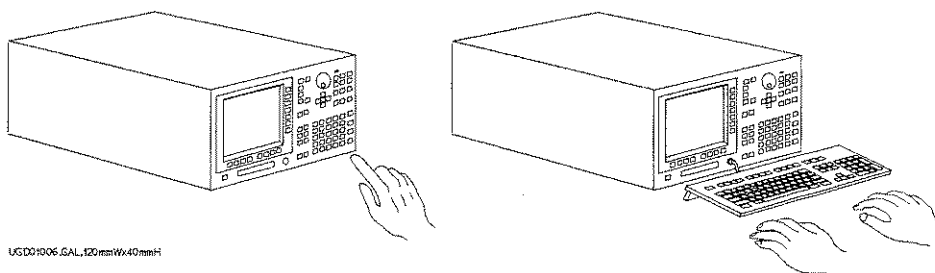
An Overview of Functions

HP 4155A/4156A has the following useful functions.

- Operation and control
- Measurements and results display
- Graphical analysis
- Data storage
- Plotting and printing

Operation and Control

You operate HP 4155A/4156A from the front-panel keys. Also, you can attach a keyboard (HP C1405B) to HP 4155A/4156A, and operate it from keyboard. See "Softkey Map and External Keyboard" in *HP 4155A/4156A User's Dictionary Reference*.



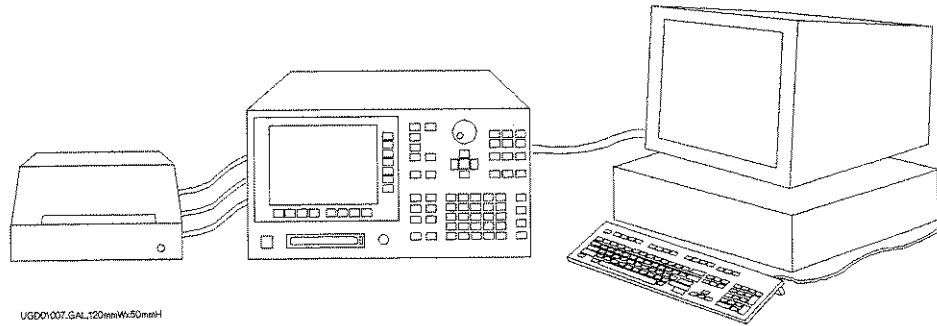
HP 4155A/4156A is operated by a "form fill-in" method. That is, the user-interface consists of setup and results pages, and you fill in fields on appropriate pages to select a measurement mode, set measurement parameters and conditions, set results display mode, and so on. After you execute the measurement, measurement results are displayed on result pages.

When you operate from the front panel, the basic page flow is as follows:

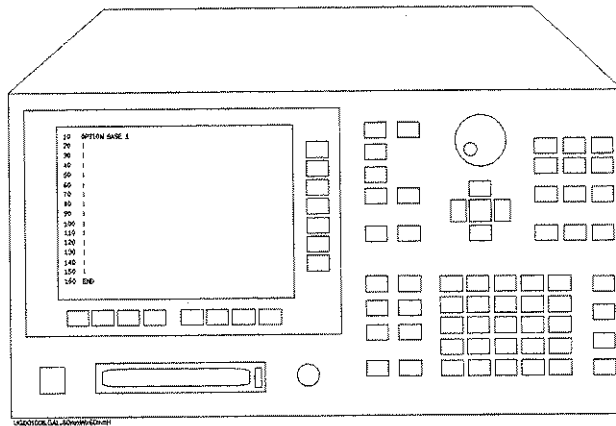
1. channel definition
2. source setup
3. display setup
4. results display

Also, HP 4155A/4156A can be controlled via HP-IB by external controller, such as an HP 9000 computer. To control HP 4155A/4156A, you create a control (measurement) program by using a programming language such as HP BASIC. The measurement program uses remote control commands of the HP 4155A/4156A. These are easy-to-understand commands based on Standard Commands for Programmable Instruments (SCPI).

Introducing the HP 4155A/4156A
An Overview of Functions



The HP 4155A/4156A has a built-in HP Instrument BASIC (IBASIC) environment. You can create a measurement program using IBASIC to control the HP 4155A/4156A instead of using an external controller. This eliminates the need for an external controller, so required working space is reduced.



When you develop measurement programs using the built-in HP Instrument BASIC environment of the HP 4155A/4156A, you use the HP 4155A/56A remote commands. See the HP 4155A/4156A *Programmer's Guide* and *HP-IB Command Reference*.

Measurements and Results Display

You set up the fields on the setup pages of HP 4155A/4156A, then perform the measurement. After measurement, you can display the measurement results on the GRAPHICS or LIST page.

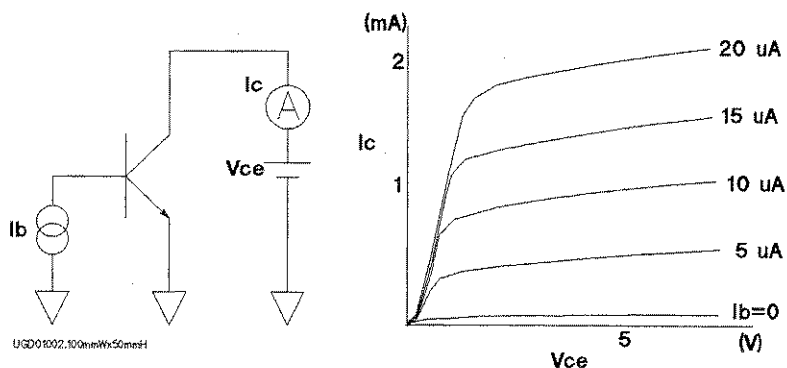
Measurement.

The HP 4155A/4156A can perform two types of measurements: sweep measurement and sampling measurement. These two types of measurements *cannot* be executed at the same time.

- Sweep measurement

For sweep measurements, an SMU or a VSU can become a primary sweep source, secondary sweep source, synchronous sweep source, or constant source.

For example, you can perform sweep measurements to get an I_c - V_{ce} curve of a bipolar transistor as in the following example:

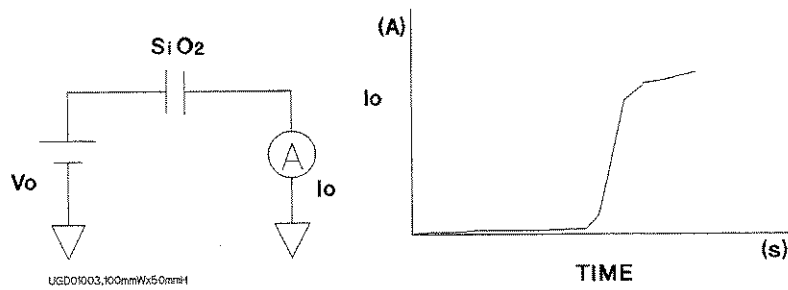


In the example above, a primary source (V_{ce}) and a secondary source (I_b) are defined. After primary sweep source finishes each sweep, the secondary sweep source outputs the next value.

- Sampling measurements

For sampling measurements, the source units output constant values, and measurements are executed by each unit at the specified intervals.

For example, you can get an integration curve of an RC integrator by sampling measurement as follows:



In the example above, measurements by the monitor unit start when the source unit outputs the specified value.

An Overview of Functions

Setup pages.

You set the measurement mode, parameters, and conditions by filling in the blank fields on the appropriate pages. You can enter variable names for the output and measurement values, and you can define more complex variables called user functions. For example, you can specify a variable name for the forward current, such as "If", and refer to this variable on other pages instead of the unit name.

Results display.

You can display measurement results on the screen in graphics or list style. When measurement starts, the results page appears according to the display setting information that you set. Of course, the HP 4155A/4156A plots or displays the results as the measurement progresses. You can also modify the measurement parameters and conditions on the results page without returning to the setup page.

Knob sweep.

For knob sweep measurement, you can vary the sweep range by rotating the rotary knob. The knob sweep function is useful when you need to quickly make a rough measurement of your DUT characteristics. You only need to define the channel assignments, then you can start the knob sweep measurement. You can also change parameters and conditions by using secondary softkeys on the knob sweep page, and you can easily copy these changes so that they will be used in the normal sweep mode.

Stress.

HP 4155A/4156A can force stress to your DUT for a specified duration. You can set the stress force parameters and channels independently from the measurement channels. And the stress duration is controlled accurately. You can force dc stress, and also ac stress because the HP 41501A can be equipped with pulse generators. You can perform reliability evaluations by repeating the stress-measurement cycle.

Graphical Analysis

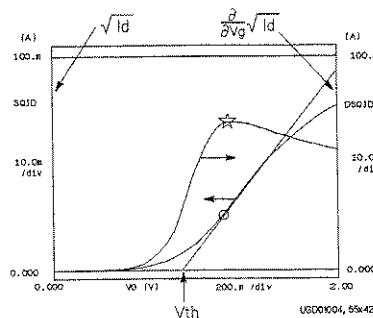
You can analyze the measurement results graphically by using a marker and two lines. The marker can move on the measurement curve only, so you can read the measurement values by reading the marker coordinates. You can draw up to two lines on plotting area by following methods:

- Normal line: through two points that are specified by cursors.
- Gradient line: through one point specified by cursor with specified gradient.
- Tangent line: tangent to point specified by marker on measurement curve.
- Regression line: regression line for area specified by two cursors.

X/Y intercept values and gradient of each line are automatically displayed, so you can get values such as threshold voltage (V_{th}) and Early voltage (V_A).

Also, you can setup the auto-analysis page to position marker and lines at desired location automatically after measurement finishes. For example, you can automatically find threshold voltage (V_{th}) as follows:

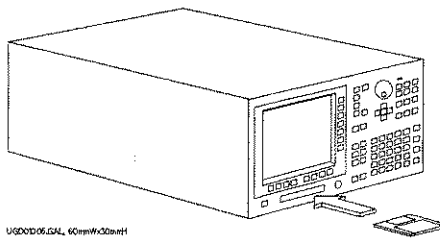
1. V_g versus $\sqrt{I_d}$ curve, and V_g versus $\frac{\partial}{\partial V_g} \sqrt{I_d}$ curve are drawn.
2. Maximum $\frac{\partial}{\partial V_g} \sqrt{I_d}$ is found, and marker is moved to corresponding point on $\sqrt{I_d}$ curve.
3. Tangent is drawn to marker on $\sqrt{I_d}$ curve.
4. X intercept value of this tangent is V_{th} .



Data Storage

The HP 4155A/4156A can store data on a 3.5-inch diskette. You can store the measurement setup information, measurement data, and HP 4155A/4156A system setup information on the diskette. You can also easily save measurement result data in MS-DOS® ASCII format to your diskette by using print/plot function. (For details, see "To Store Result Data in Spreadsheet Format" in Chapter 5.)

Also, you can load information from the diskette to the HP 4155A/4156A.



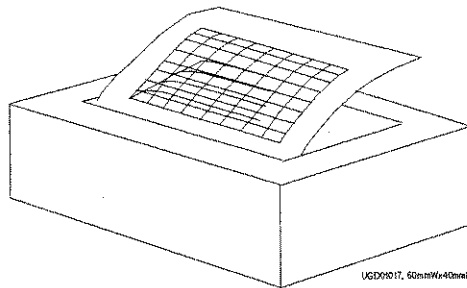
The allowable disk formats are MS-DOS® and HP LIF. The MS-DOS® format is the most popular disk format, which allows you to use the diskette in many types of computers.

The HP 4155A/4156A is upwardly compatible with the HP 4145B, so you can load setting information that was created by the HP 4145B.

You can also use internal memory for temporary data storage. You can save up to four files in internal memory. You can quickly move information between the internal memory and HP 4155A/4156A working memory.

Plotting and Printing

You can print setup data, measurement results, and screen images on a plotter or printer that is connected to the HP 4155A/4156A. Setup data and list results are printed as a list report, and the graphics results page is plotted as a graphics report. You can also plot or print the screen image.



You can connect your plotter or printer to the HP 4155A/4156A via serial interface or HP-IB interface. See Chapter 2 for information about installing your plotter or printer.

Also, you can store setup data, measurement results, and screen images on diskette files. The stored data files can be read by other computers.

So you can create reports that include measurement curves or data by using spreadsheet software such as Lotus® 1-2-3® or by using desktop publishing software such as PageMaker™. For details about saving data in MS-DOS® ASCII format, refer to "To Store Result Data in Spreadsheet Format" in Chapter 5.

Introducing the HP 4155A/4156A

An Overview of Functions



Installation

Installation

This chapter describes requirements to install HP 4155A/4156A and the tasks for installation, and is organized into the following four sections:

- Requirements
- Setting up HP 4155A/4156A
- Installing Accessories
- Installing Peripherals



WARNING

The HP 4155A/4156A can force dangerous voltages (200 V for HPSMU, and 100 V for HRSMU and MPSMU) at the force, guard, and sense terminals. To prevent electric shock hazard, the following safety precautions must be observed during the use of the HP 4155A/4156A.

- Use a three-conductor ac power cable to connect cabinet (if used) and HP 4155A/4156A to an electric ground (safety ground).
- If you do not use HP 16442A Test Fixture, make sure to connect the INTLK terminal to a switch that turns off when the shielding box access door is opened.
- Confirm periodically that INTLK function works normally.
- Before touching the connections of the force, guard, and sense terminals, turn the HP 4155A/4156A off and discharge any capacitors whenever possible. If you do not turn the HP 4155A/4156A off, complete *all* of the following items, regardless of any HP 4155A/4156A settings.
 - Set the SMU output switches to off.
 - Confirm that HIGH VOLTAGE indicator is not lit.
 - Open the shielding box access door (open the INTLK terminal).
 - Discharge any capacitors if the capacitance is connected to an SMU.
- Warn workers around the HP 4155A/4156A about dangerous conditions.

Requirements

This section describes the following requirements

- Power requirements
- Power cable
- Ventilation requirements
- Operating environment

Installation
Requirements

Power Requirements

CAUTION

Before applying ac line power to the HP 4155A/4156A or HP 41501A, ensure that the correct line fuse is installed in the fuse holder and the correct power cable is used.

Line	Line Voltage Fuse	
	Fuse Type	HP Part Number
100/120 Vac	UL/CSA T 8A, 250 Vac	2110-0383
220/240 Vac	UL/CSA T 4A, 250 Vac	2110-0014

CAUTION

Use only replacement fuses of the correct current rating and of the specified type. Do not use repaired fuses, and do not short circuit the fuse holder.

The HP 4155A/4156A can operate from any single-phase ac power source supplying 100 - 120 V or 220 - 240 V in the frequency range from 50 to 60 Hz. The maximum power consumption is 600 VA for HP 4155A/4156A, and 450 VA for HP 41501A. For details, see "Specifications" in *HP 4155A/4156A User's Dictionary Reference*.

The line voltage selector switch is set at the factory for your area. But, you had better check the voltage selector setting before applying ac line power to the HP 4155A/4156A or HP 41501A. The line voltage selector switch is located on the rear panel of the HP 4155A/4156A and HP 41501A.

Line Voltage Selector setting	
Line Voltage	Position
90-132 Vac	left
198-264 Vac	right

Power Cable

In accordance with international safety standards, this instrument is equipped with a three-wire power cable. When connected to an appropriate ac power outlet, this cable grounds the instrument frame. The type of power cable shipped with each instrument depends on the country of destination. Refer to Figure 2-1 for the part numbers of the power cables available.

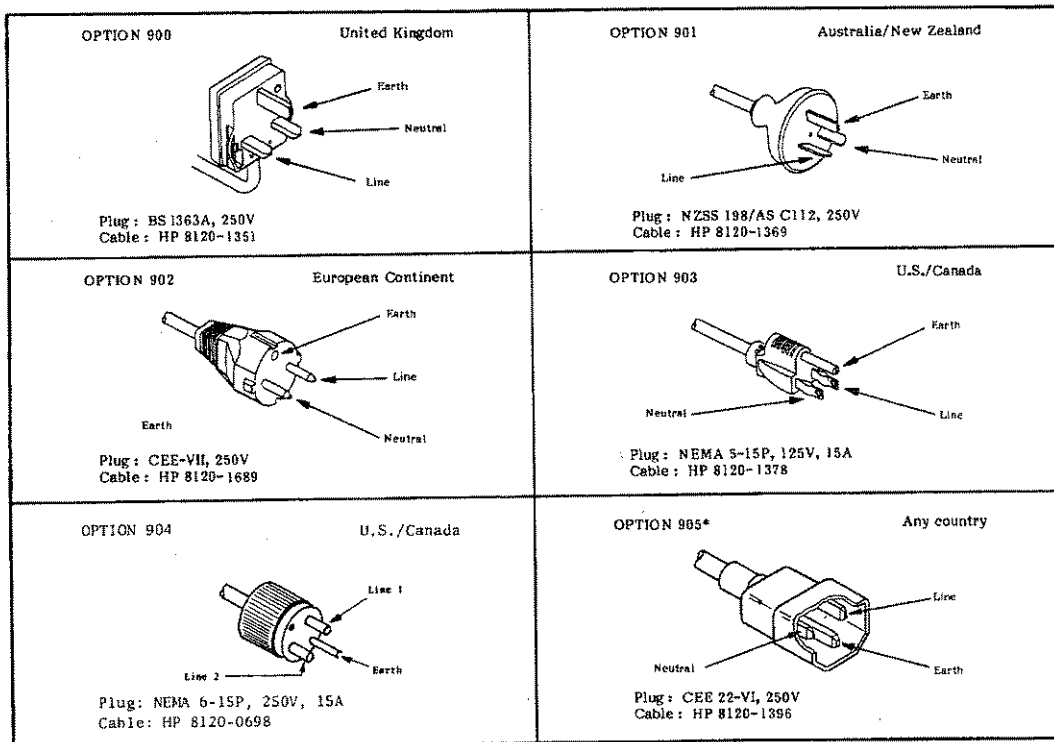
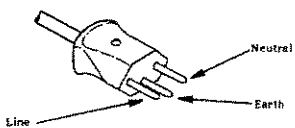
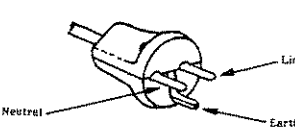
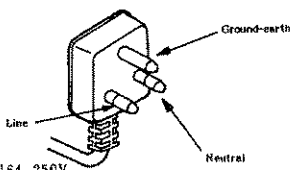
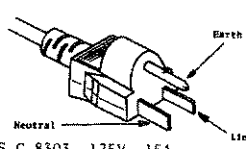


Figure 2-1. Power Cables

Installation
Requirements

<p>OPTION 906</p> <p>Switzerland</p>  <p>Line</p> <p>Neutral</p> <p>Earth</p> <p>Plug: SEV 1011.1959-24507 Type 12, 250V Cable: HP 8120-2104</p>	<p>OPTION 912</p> <p>Denmark</p>  <p>Line</p> <p>Neutral</p> <p>Earth</p> <p>Plug: DHCR 107, 220V Cable: HP 8120-2956</p>
<p>OPTION 917</p> <p>India/Republic of S.Africa</p>  <p>Line</p> <p>Ground-earth</p> <p>Neutral</p> <p>Plug: SABS 164, 250V Cable: HP 8120-4211</p>	<p>OPTION 918</p> <p>Japan</p>  <p>Earth</p> <p>Line</p> <p>Neutral</p> <p>Plug: JIS C 8303, 125V, 15A Cable: HP 8120-4753</p>
<p>NOTE: Each option number includes a 'family' of cords and connectors of various materials and plug body configurations (straight, 90° etc.).</p> <p>* Plug option 905 is frequently used for interconnecting system components and peripherals.</p>	

Power Cables (continued)

If the plug on the cable does not fit the power outlet, or the cable is to be attached to a terminal block, cut the cable at the plug end and re-wire it. This work should be performed by a qualified electrician—all local electrical codes being strictly observed.

The color coding used in the cable will depend on the cable supplied. If a new plug is to be connected, it must meet local safety requirements and include the following features:

- Adequate load-carrying capacity (see table of "Specifications" in *HP 4155A/4156A User's Dictionary Reference*).
- Ground connection.
- Cable clamp.

WARNING

For protection from electrical shock, the power cable ground must not be defeated.

Ventilation Requirements

The HP 4155A/4156A has one cooling fan, and HP 41501A has two cooling fans. To ensure adequate airflow, make sure that there is adequate clearance around the cooling fans: 6 inches (150 mm) behind, 3 inches (70 mm) sides, and 0.5 inch (12 mm) above and below.

If the airflow is restricted, the internal operating temperature will be higher, reducing the instrument's reliability or causing the instrument's thermal-protection circuits to automatically switch off the instrument.

Operating Environment

The HP 4155A/4156A and HP 41501A must be operated within the following environmental conditions:

Temperature: 5°C to 40°C (41°F to 104°F)

Humidity: 15% to 80% RH at 40°C (104°F)

Cleaning

To prevent electrical shock, never use a wet cloth when cleaning the HP 4155A/4156A. Always use a slightly damp or dry cloth to clean HP 4155A/4156A.

Setting up HP 4155A/4156A

This section describes what you do when you receive the HP 4155A/4156A and accessories.

Briefly, you must do the following:

1. Inspect HP 4155A/4156A and accessories.
2. Install HP 41501A with HP 4155A/4156A, if needed.
3. Check HP 4155A/4156A operation after supplying ac line power.

To satisfy the specifications of HP 4155A/4156A and HP 41501A measurement accuracy, perform calibration and adjustment every year.

To Inspect HP 4155A/4156A and Accessories

Inspect the following items when the HP 4155A/4156A and accessories arrive at your site, and when you open the boxes that contain the HP 4155A/4156A and accessories:

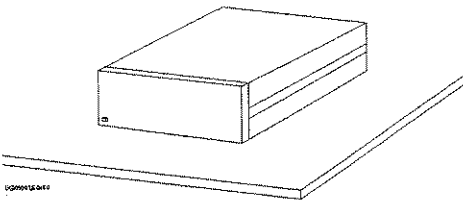
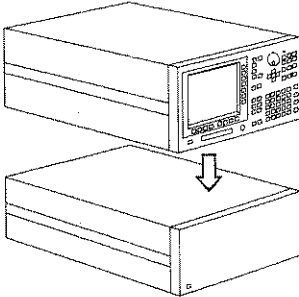
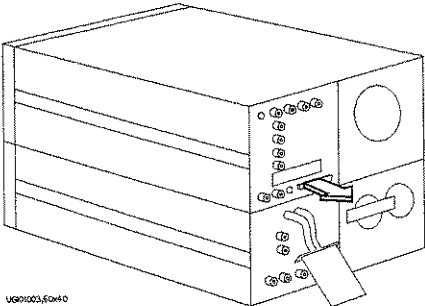
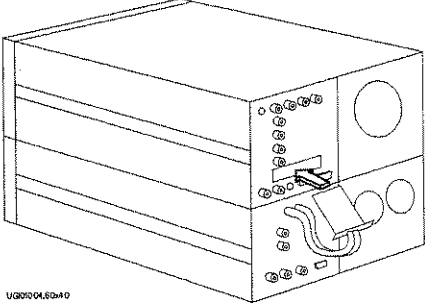
- When the HP 4155A/4156A and accessories arrive at your site, and before unpacking any components, inspect all boxes for any signs of damage that might have occurred during shipment such as:
 - Dents
 - Scratches
 - Cuts
 - Water marks

If you suspect damage, notify your local HP sales office.

- When you open the boxes that contain the HP 4155A/4156A and accessories, check the components against the contents lists that are attached to the boxes.

If anything is missing, notify your local HP sales office.

To Install HP 41501A SMU/Pulse Generator Expander

1. Put the HP 41501A on your workbench.	2. Put the HP 4155A/4156A on the HP 41501A.
 <p>UG000124-0</p>	 <p>UG000124-0</p>
3. Remove the blank panel labeled "To Expander Box Interface" from the rear panel of the HP 4155A/4156A.	4. Insert the interface board from the HP 41501A into the HP 4155A/4156A, then attach it with the thumbscrews.
 <p>UG000125-0</p>	 <p>UG000125-0</p>

WARNING

The HP 4155A/4156A together with the HP 41501A weighs about 40 kg (88.4 lb). The HP 4155A/4156A is just placed on top of the HP 41501A without attaching it securely. So, be very careful when handling.

To Check HP 4155A/4156A Operation

1. Make sure that the line switches are set to off.
2. On the HP 4155A/4156A, make sure that the Circuit Common terminal is tied to frame ground terminal by shorting-bar. If not, a potential shock hazard exists.
3. Connect the power cable between the HP 4155A/4156A and outlet at your site. If the HP 41501A is also installed, connect the power cable between the HP 41501A and the outlet.
4. If the HP 41501A is installed, press the LINE button to switch on.
5. Press the LINE button to switch on the HP 4155A/4156A. The initialization screen appears on the CRT of the HP 4155A/4156A.
6. After initialization finishes, the CHANNELS: CHANNEL DEFINITION page appears as follows:

CHANNELS: CHANNEL DEFINITION						94 JAN 01 01:30 PM		SWEEP		
#MEASUREMENT MODE										
SWEEP										
#CHANNELS										
		MEASURE			STBY	SERIES				
UNIT	VNAME	INAME	MODE	FCTN		RESISTANCE				
SMU1:MP	V1	I1	COMMON	CONST		0 ohm				
SMU2:MP	V2	I2	I	VAR2		0 ohm				
SMU3:MP	V3	I3	V	VAR1						
SMU4:MP	V4	I4	V	CONST						
VSU1	VSU1		V	CONST						
VSU2	VSU2		V	CONST						
VMU1	VMU1		V							
VMU2	VMU2		V							
SWEEP										
CHANNEL DEF					USER FCTN		USER VAR		B	NEXT PAGE

7. Make sure the units displayed in the UNIT column (on the CHANNELS: CHANNEL DEFINITION page) match the units that are actually installed.

The following table shows the displayed units in the UNIT column:

HP 4155A	HP 4156A	HP 41501A		
SMU1:MP	SMU1:HR	GNDU		
SMU2:MP	SMU2:HR	HPSMU Installed ¹	MPSMU Installed ¹	PGU Installed ¹
SMU3:MP	SMU3:HR			
SMU4:MP	SMU4:HR	SMU5:HP	SMU5:MP SMU6:MP	PGU1 PGU2
VSU1	VSU1			
VSU2	VSU2			
VMU1	VMU1			
VMU2	VMU2			

¹ These are labeled on the rear panel of the HP 41501A.

- If HP 41501A units are not displayed in UNIT column, turn off the HP 4155A/56A and HP 41501A, then make sure that interface board of HP 41501A is firmly inserted into HP 4155A/56A. Turn on HP 41501A, then turn on HP 4155A/56A.
- Press **System** front-panel key, then select **MISCELLANEOUS** primary softkey. Confirm that POWER LINE FREQUENCY field is correct frequency for your site. If not, select the correct secondary softkey.

SYSTEM: MISCELLANEOUS 94JAN01 01:30PM

<p>#P4155 is NOT SYSTEM CONTROLLER</p> <p>#P-IB ADDRESS HP 4155 17 HARD COPY 1</p> <p>#REMOTE CONTROL COMMAND SET HP4155/56</p> <p>#CLOCK Y M D H M 1994 1 1 13 28</p> <p>#CEEP ON</p>	<p>#POWER LINE FREQUENCY 50 Hz</p> <p>#SERIAL INTERFACE BAUD RATE 2400 bps DATA BITS 8 PARITY None STOP BIT(S) 1 TRANSMIT PACING HARDWARE RECEIVE PACING None</p>	<p>50 Hz</p> <p>60 Hz</p> <p> </p> <p> </p> <p> </p> <p> </p> <p> </p> <p> </p>
--	---	---

FILER
MISCEL-
LANEOUS
CONFIG
CALIB/
DIAG
PRINT
COLOR
SETUP
SETUP

If problems occur, see Chapter 6.

Installing Accessories

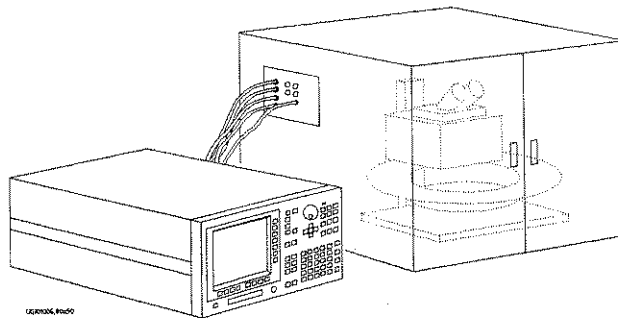
This section describes how to install the HP 4155A/4156A and accessories at your site. Refer to "Ventilation Requirements" when considering the proper location at which to install the HP 4155A/4156A.

This section describes how:

- To install connector plate
- To connect interlock terminal
- To install HP 16442A Test Fixture
- To install HP 16441A R-Box
- To install HP 16440A SMU/Pulse Generator Selector
- To connect HP 16440A to HP 4155A/4156A

When you install a keyboard (HP C1405B), connect the connector of the keyboard to the keyboard interface on the front-panel *before* switching on the HP 4155A/4156A. The HP 4155A/4156A recognizes the keyboard during the power-on self-test.

To Install Connector Plate



1. Before installing connector plate, make sure that HP 4155A/4156A and HP 41501A are turned off.
2. Create proper openings and screw holes on your shielding box that match the size of connector plate. See Figure 2-2, Figure 2-3, or Figure 2-4 for dimensions of the connector plates.
3. Attach the connector plates with screws, nuts, and washers.
4. To prevent electric shock, make sure to install interlock circuit. (See "To Connect Interlock Terminal".)
5. Connect the furnished cables between the HP 4155A/4156A and connector plates.

For details about connections between HP 4155A/4156A and the terminals on the connector plates, refer to "To Install HP 16442A Test Fixture" in this chapter. Connections to connector plate are similar to connections to test fixture.

The proper connector plates are furnished with HP 4155A, HP 4156A, and HP 41501A.

The screws, nuts, and washers are not furnished. Each connector plate has four screw holes (3.0 mm in diameter).

Installation

Installing Accessories

If you do not use the HP 16442 test fixture (for example, you use a wafer prober or your own test fixture), you need to perform measurements in a shielding box because of the following:

- To prevent the operator from receiving an electric shock from the output voltage or current of the HP 4155A/4156A.
- To minimize the effects of environmental noise and ambient light.

For details on how to connect terminals of connector plate and DUTs, refer to "Connection to Device Under Test (DUT)" in Chapter 3.

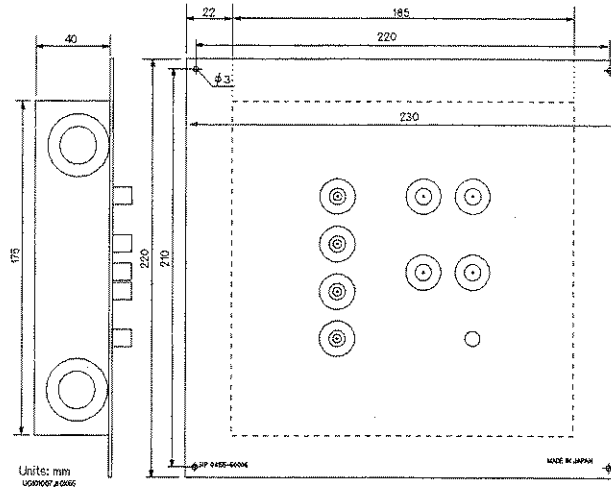


Figure 2-2.
Dimensions of Connector Plate for HP 4155A
(HP Part Number: 04155-60006)

Table 2-1. Connectors on Connector Plate

Connector	HP Part Number
Triaxial for SMU, GNDU	1250-1906
Coaxial (BNC) for VSU, VMU, PGU	1250-0083
Interlock	1252-1419

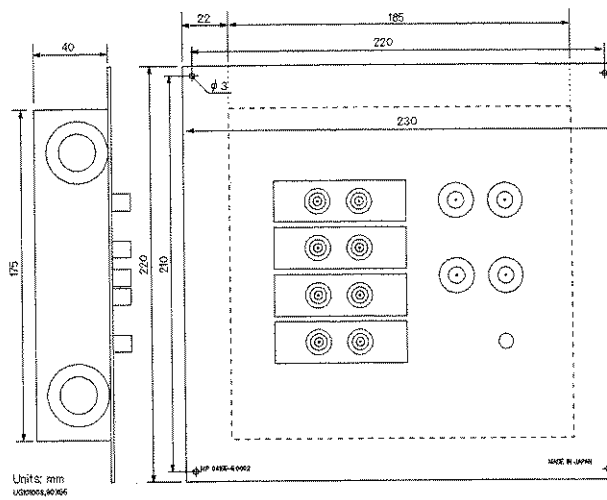


Figure 2-3.
Dimensions of Connector Plate for HP 4156A
(HP Part Number: 04156-60002)

Installation

Installing Accessories

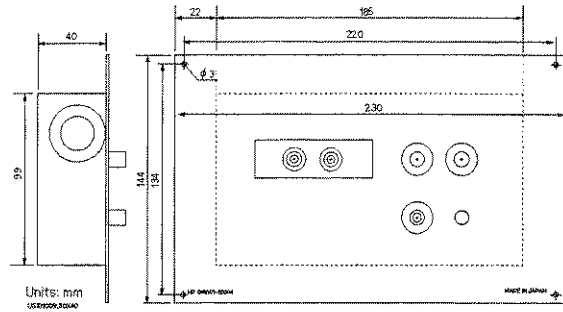
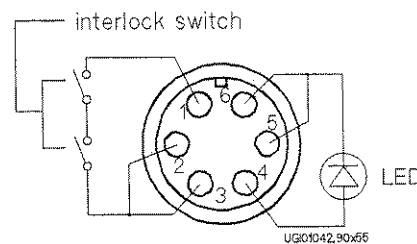
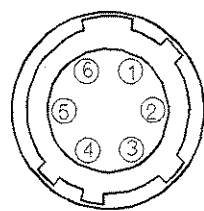
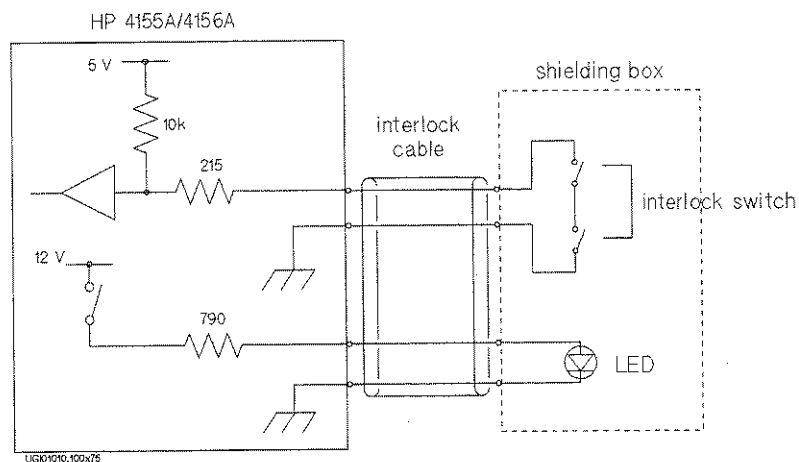


Figure 2-4.
Dimensions of Connector Plate for HP 41501A
(HP Part Number: 41501-60004)

To Connect Interlock Terminal

When you use a shielding box, you must install an interlock circuit to prevent electric shock. When you use the HP 16442A test fixture, you do *not* have to install an interlock circuit because the HP 16442A has a built-in interlock circuit.

The upper part of the following shows the interlock circuit you need to make in your shielding box, and the lower part shows the pin assignments of the interlock connector on the connector plate.



(a) plug side view of Intlk terminal (b) wiring side view of Intlk terminal

interlock (Intlk) terminal.

To prevent an operator from receiving an electric shock from high voltage (more than ± 40 V), you connect the interlock (Intlk) terminal (of the connector plate) to a switch that turns on when the shielding box door is closed, and that turns off when the shielding box access door is opened. For safety, use two switches in series.

If the door is open (the interlock terminals are open), the SMU cannot force more than ± 40 V. If the door is opened while the SMU output is more than ± 40 V, the HP 4155A/4156A immediately drops the outputs of all units to 0 V.

Conversely, if the door is closed (interlock terminals are shorted), this function is disabled. So, you can force more than ± 40 V.

WARNING

Dangerous voltages of up to the maximum voltage of SMUs may be present at force, guard, and sense terminals when the interlock terminals are shorted.

HP 16435A Interlock Cable Adapter.

If you already have a connector plate or test fixture that has a BNC coaxial connector for interlock (such as the HP 16088B test fixture), you can use HP 16435A Interlock Cable Adapter to connect the test fixture.

To connect:

1. Connect interlock (Intlk) terminal on the rear panel of the HP 4155A/4156A to the interlock cable adapter by using the following interlock cable.

HP Part Number	Description
04155-61613	Interlock cable 3 m
04155-61614	Interlock cable 1.5 m

2. Connect the interlock cable adapter to the connector plate or test fixture by using the coaxial cable furnished with HP 16435A.

Warning Indicator on HP 16088B Test Fixture

The high voltage warning indicator on this test fixture is designed only for HP 41423A High Voltage Source/Monitor Unit for HP 4142B.

This warning indicator is not valid when you use the HP 16088B test fixture with the HP 4155A/4156A by using HP 16435A interlock cable adapter.

LED terminal.

When more than ± 40 V is forced from an SMU, the LED lights to indicate *high voltage output*.

recommended parts.

You can get the following parts from Hewlett-Packard:

HP Part Number	Description
3101-3241	switch
3101-0302	switch
1450-0641	LED ($V_F \approx 2.1$ V @ $I_F = 10$ mA)

Installation
Installing Accessories

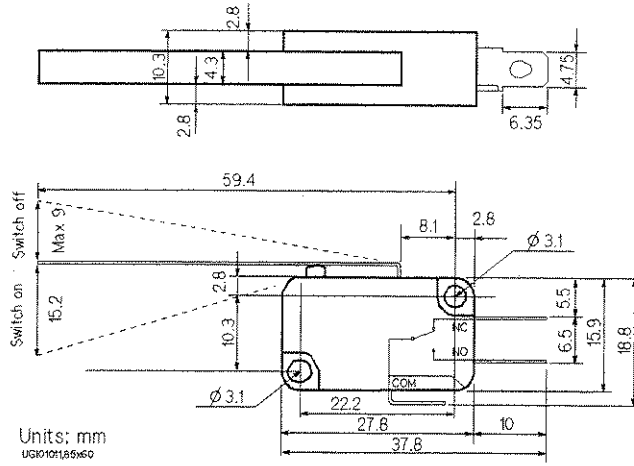


Figure 2-5. Dimensions of Interlock Switch (HP part number 3101-0302)

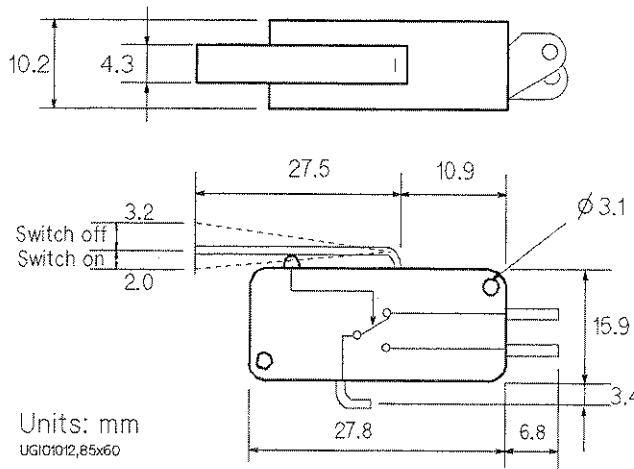
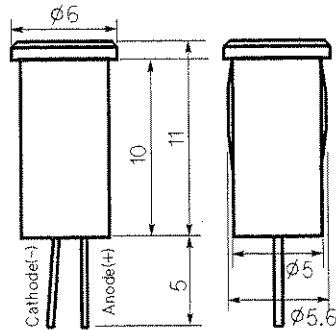


Figure 2-6. Dimensions of Interlock Switch (HP part number 3101-3241)



Units: mm
US101013,50x50

Figure 2-7. Dimensions of LED (HP part number 1450-0641)

To Perform Interlock Circuit Test

To confirm that interlock circuit test, do as follows:

1. Connect the **Intlk** terminal of HP 4155A/4156A to your interlock circuit.
2. Press **System** front-panel key, then select **CALIB/DIAG** primary softkey to display the SYSTEM: SELF-CALIBRATION/DIAGNOSTICS page.
3. In the CALIB/DIAG field, select **DIAG** secondary softkey.
4. In the CATEGORY field, select **I/O & PERIPH** secondary softkey.
5. Move pointer to the **403 (INT.) Interlock & LED** field.
6. Select **EXECUTE** secondary softkey.
7. Confirm the following:
 - LED turns on within 1 sec from when interlock circuit is shorted.
 - LED turns off within 1 sec from when interlock circuit is open.
8. To stop the interlock test, select **STOP** secondary softkey.

To Connect Connector Plate and DUT

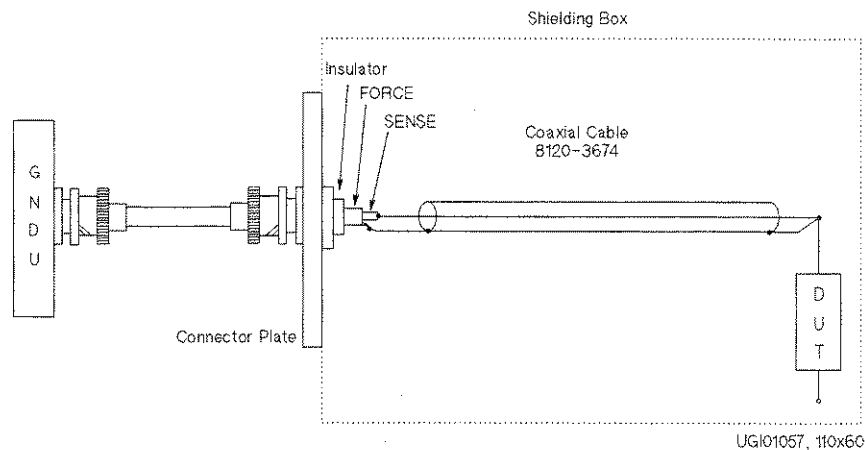
- GNDU connections

CAUTION

Do not use the HP 16493C triaxial cable of the SMU to connect the GNDU to a DUT. The GNDU can sink up to 1.6 A, and the maximum current rating of the cable is 1 A.

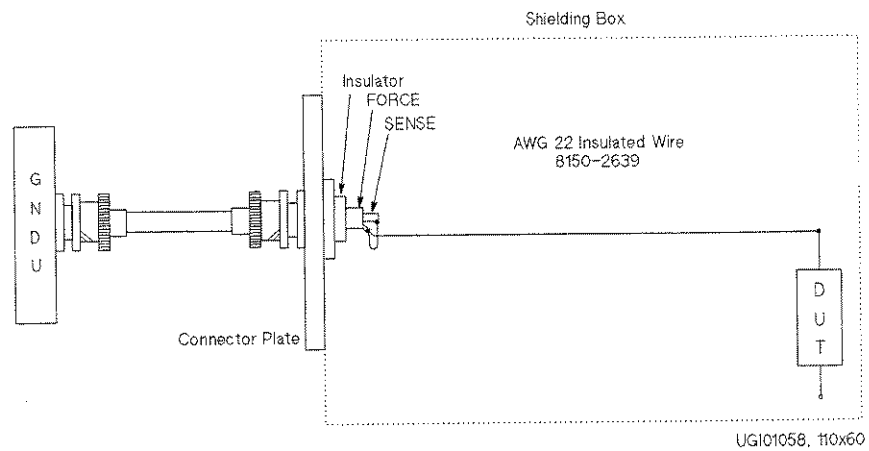
- Kelvin connections

Use a low-noise coaxial cable (part number: 8120-3674) from the connector plate to DUT as shown in the following figure. To cancel the effects of cable resistance, connect the sense line as close as possible to the terminal of the DUT.



□ non-Kelvin connections

Short sense and force at the connector plate as shown. Use AWG 22 single-strand insulated wire (part number: 8150-2639) from the connector plate to the DUT. Measurement results include the residual resistance of the connection wire.



To easily connect GNDU for a measurement in which the accuracy is not important, connect only force to the DUT, without shorting sense and force.

Installing Accessories

• SMU connections

WARNING

The SMU forces dangerous voltages of up to ± 100 V (± 200 V for HPSMU) at the force, sense, and guard terminals.

To prevent electric shock, do not expose these lines.

Before turning the HP 4155A/4156A on, connect the Intlk terminal to a switch that turns off when the shielding box access door is opened.

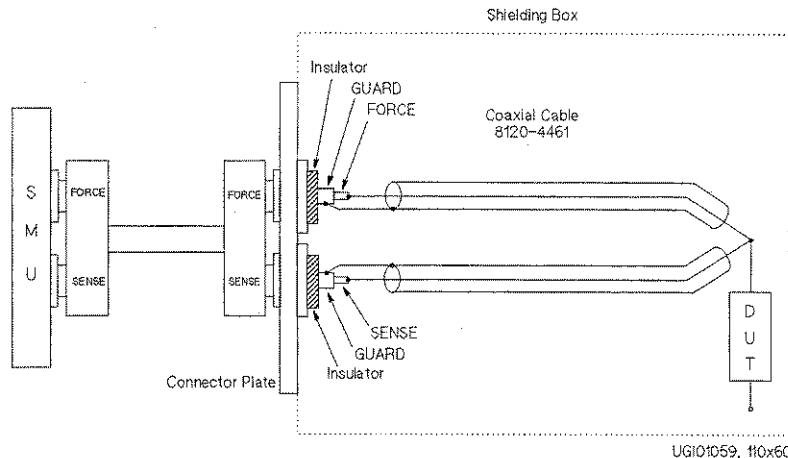
Before you touch connections of these terminals, turn HP 4155A/56A off, disconnect power cable, and discharge any capacitors.

CAUTION

Never connect the guard terminal to any output, including circuit common, chassis ground, or the guard terminal of any other unit. Doing so may result in an emergency condition.

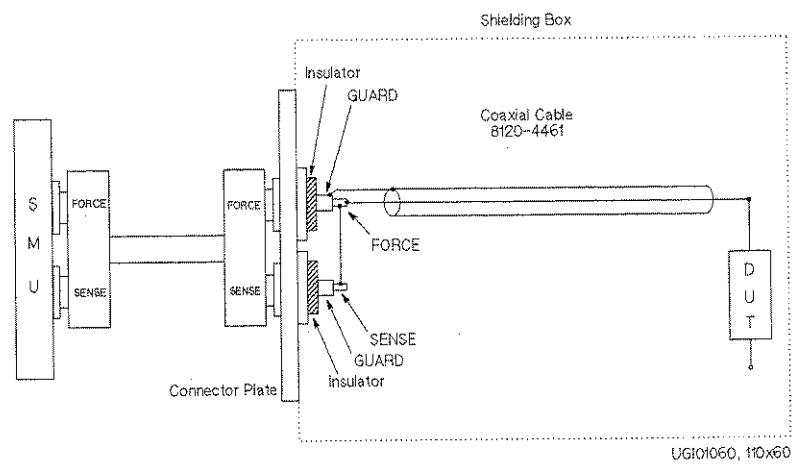
□ Kelvin connections

Use low-noise coaxial cable (part number: 8120-4461) from connector plate to DUT as shown in following figure. To cancel effects of cable resistance, connect sense line as close as possible to DUT terminal. To prevent oscillations, do not use cables longer than 1.5 m. For highly accurate current forcing and measurements while minimizing leakage, surround all force and sense lines from SMU by a guard as far as possible, and make cables stable by taping.



□ non-Kelvin connections

Connections are shown in following figure. Measurement results include residual resistance from the connection wire. To enable highly accurate current forcing and measurements while minimizing leakage, surround all force lines from SMU by a guard as far as possible.

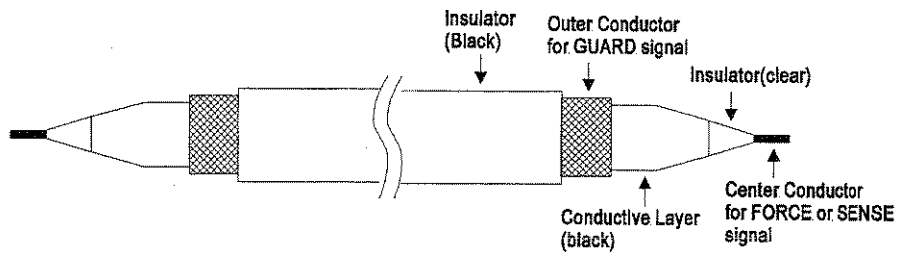


Installation

Installing Accessories

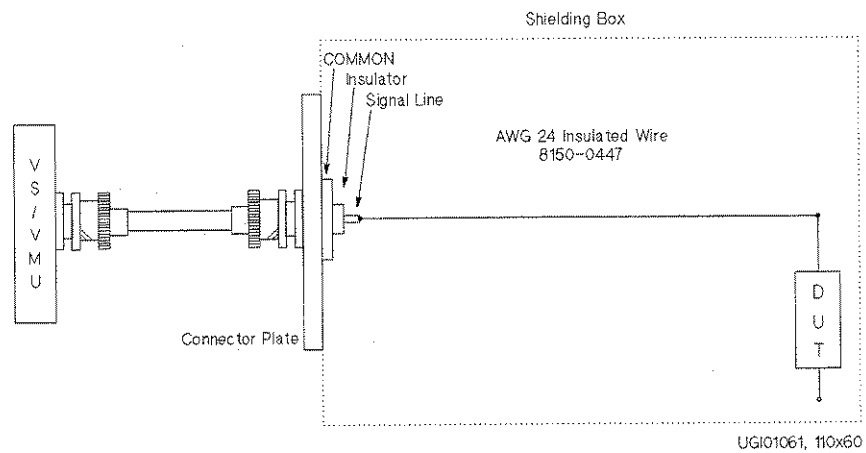
NOTE

When you make a connection by using low-noise coaxial cable (part number: 8120-4461), shave the Conductive layer and the Insulator(clear) by knife so that the Center Conductor is insulated from the Conductive layer. Refer to following figure.



- VSU and VMU connections

The following figure shows an example of a connection between VSU1, VSU2, VMU1, or VMU2 and a DUT. Use AWG 24 single-strand insulated wire (part number: 8150-0447) to connect the connector plate and the DUT.

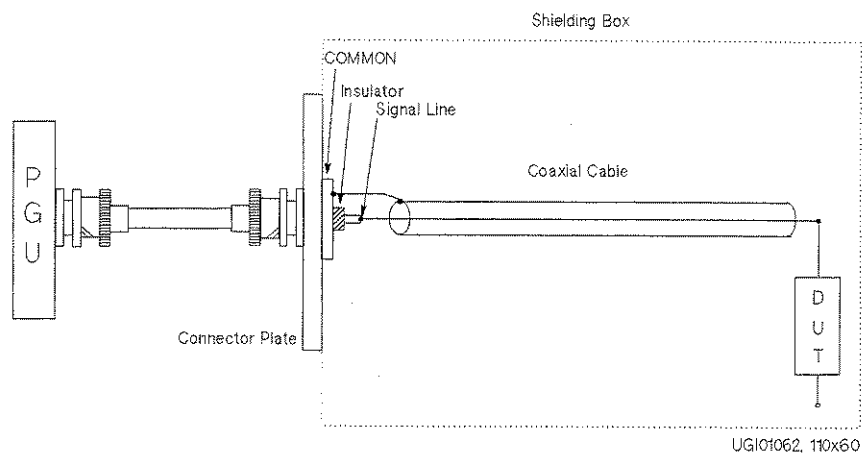


Installation

Installing Accessories

- PGU connections

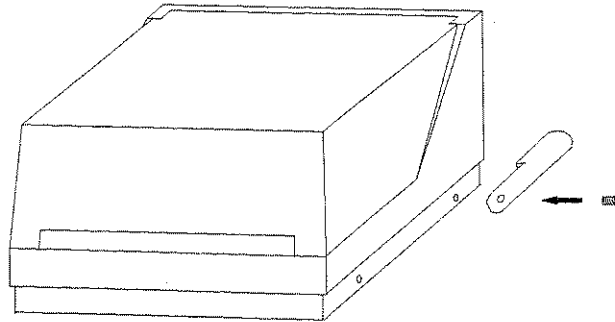
Regardless of output impedance setting, use a low-noise coaxial cable (part number: 8120-0102) from the connector plate to the DUT as shown in the following figure. If you use HP 16440A selector, use a low-noise coaxial cable (part number: 8120-4461).



To Install HP 16442A Test Fixture

Before performing the following procedure, make sure that HP 4155A/4156A and HP 41501A are turned off.

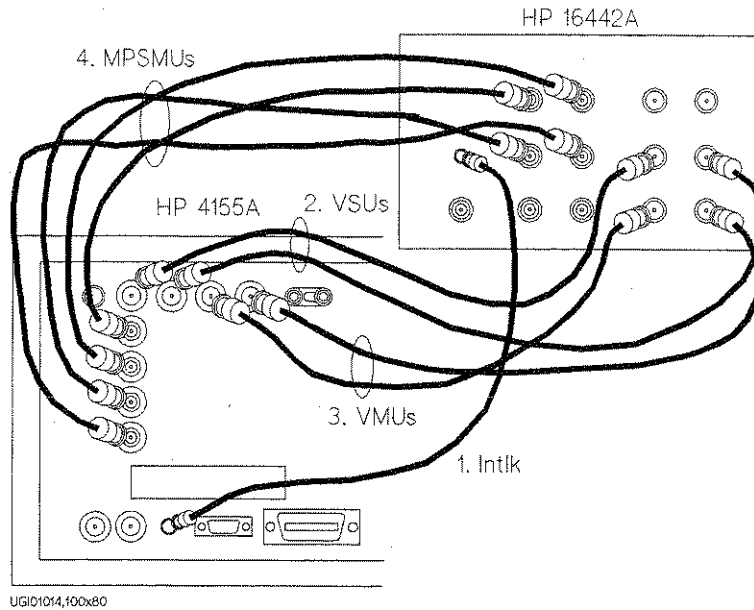
When you use HP 16442A test fixture without HP 16441A R-Box or HP 16440A selector, you can make HP 16442A stable by using stabilizers as shown in the following figure.



UGI01049.GAL, 80mmW, 60mmH

1. Put a stabilizer on both sides of test fixture.
2. Screw a flathead screw into hole of each stabilizer.

- Connecting HP 4155A and HP 16442A test fixture



1. To prevent shock, *be sure* to connect following by 3.0m or 1.5m Intlk cable: Intlk terminal (HP 4155A) \leftrightarrow Intlk terminal (HP 16442A)
2. Connect the following by using 3.0 m or 1.5 m coaxial cables:
VSU terminals (HP 4155A) \leftrightarrow VSU terminals (HP 16442A)
3. Connect the following by using 3.0 m or 1.5 m coaxial cables:
VMU terminals (HP 4155A) \leftrightarrow VMU terminals (HP 16442A)
4. Connect the following by using 3.0 m or 1.5 m triaxial cables:
MPSMU terminals (HP 4155A) \leftrightarrow SMU terminals (HP 16442A)

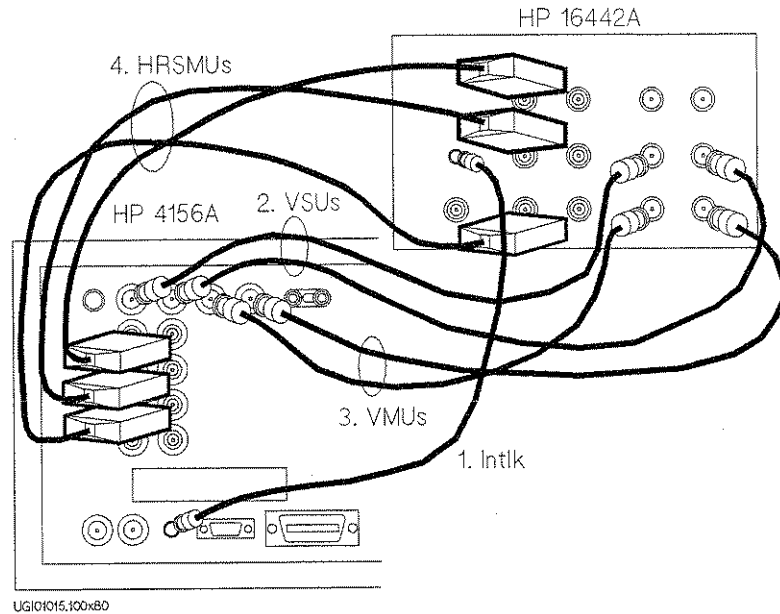
WARNING

MPSMUs force dangerous voltage of up to ± 100 V at the Force, Sense, and Guard terminals. To prevent electric shock, do not expose these lines.

CAUTION

Never connect Guard terminal to any output, including circuit common, frame ground, or other guard terminal. Doing so will damage SMU.

- Connecting HP 4156A and HP 16442A test fixture



1. To prevent shock, *be sure* to connect following by 3.0m or 1.5m Intlk cable: Intlk terminal (HP 4156A) \leftrightarrow Intlk terminal (HP 16442A)
2. Connect the following by using 3.0 m or 1.5 m coaxial cables:
VSU terminals (HP 4156A) \leftrightarrow VSU terminals (HP 16442A)
3. Connect the following by using 3.0 m or 1.5 m coaxial cables:
VMU terminals (HP 4156A) \leftrightarrow VMU terminals (HP 16442A)
4. Connect the following by using 3.0 m or 1.5 m Kelvin triaxial cables:
HRSMU terminals (HP 4156A) \leftrightarrow SMU terminals (HP 16442A)

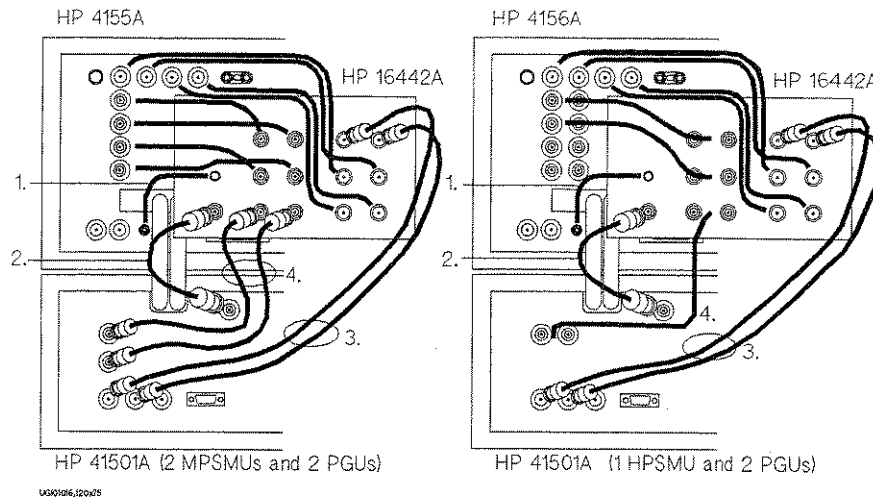
WARNING

HRSMUs force dangerous voltage of up to ± 100 V at the Force, Sense, and Guard terminals. To prevent electric shock, do not expose these lines.

CAUTION

Never connect guard terminal to any output, including circuit common, chassis ground, or other guard terminal. Doing so will damage SMU.

- Connecting HP 41501A and HP 16442A test fixture



1. To prevent electric shock, make sure that Intlk terminal of HP 4155A/4156A is connected to Intlk terminal of HP 16442A.
2. Connect the following by using a 3.0 m or 1.5 m GNDU cable:
GNDU terminal (HP 41501A) \iff GNDU terminal (HP 16442A)
3. If the HP 41501A is equipped with two PGUs, connect the following by using 3.0 m or 1.5 m coaxial cables:
PGU terminals (HP 41501A) \iff PGU terminals (HP 16442A)
4. Do the following:
 - If the HP 41501A is equipped with two MPSMUs, connect the following by using 3.0 m or 1.5 m triaxial cables:
MPSMU terminals (HP 41501A) \iff SMU terminals (HP 16442A)
 - If the HP 41501A is equipped with HPSMU, connect the following by using 3.0 m or 1.5 m Kelvin triaxial cable:
HPSMU terminal (HP 41501A) \iff SMU terminal (HP 16442A)

WARNING

Do not use the HP 16493C triaxial cable for SMUs to connect GNDU to a test fixture or a connector plate. The GNDU cable can sink up to 1.6 A, but the maximum current rating of the HP 16493C is 1 A.

WARNING

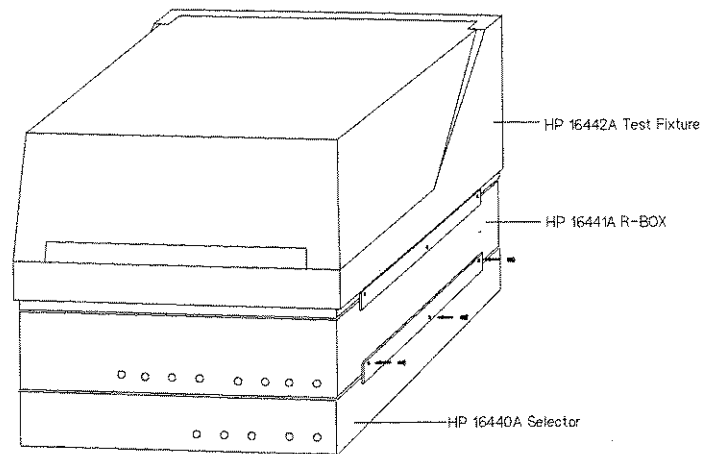
HPSMU forces dangerous voltage of up to ± 200 V at the Force, Sense, and Guard terminals. To prevent electric shock, do not expose these lines.

CAUTION

Never connect the Guard terminal to any output, including circuit common, chassis ground, or other guard terminal. Doing so will damage SMU damage.

Installing HP 16442A test fixture with other accessories.

The HP 16442A test fixture can be installed with an HP 16441A R-box, HP 16440A selector, or both. The following figure shows how to attach the HP 16442A to other accessories.



UG01046, 90mmWx90mmH

Installing HP 16088B Test Fixture

You can easily install HP 16088B test fixture by using HP 16434A Kelvin Triaxial Cable and HP 16435A Interlock Cable Adapter.

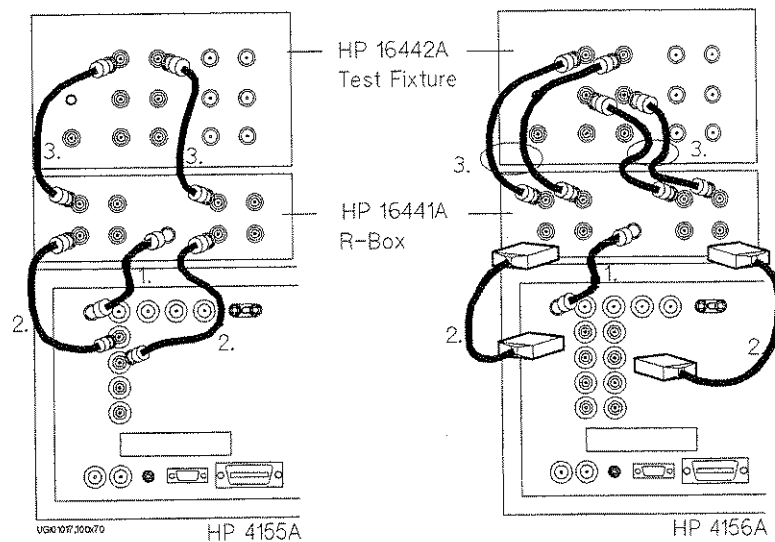
To install HP 16088B:

1. Connect the following by using:
 - 3.0m or 1.5 m kelvin triaxial cables (When connecting HP 4156A or HPSMU of HP 41501A):
HRSMU or **HPSMU** terminals (HP 4156A/HP 41501A) \longleftrightarrow **SMU** terminals (HP 16088B)
 - 3.0 m or 1.5 m triaxial cables (When connecting HP 4155A or MPSMUs of HP 41501A):
MPSMU terminals (HP 4155A/HP 41501A) \longleftrightarrow **SMU** terminals (HP 16088B)
2. To prevent electric shock, *be sure* to connect **Intlk** terminal (HP 4155A/4156A) and **INTLK** terminal (HP 16088B) as follows:
 - a. Connect the following by using 3.0 m or 1.5 m Intlk cable furnished with HP 4155A/4156A:
Intlk terminal (HP 4155A/4156A) \longleftrightarrow 16435-61001 INTLK CABLE ADAPTER
 - b. Connect the following by using coaxial cable furnished with HP 16435A:
16435-61001 INTLK CABLE ADAPTER \longleftrightarrow **INTLK** terminal (HP 16088B)

For more information about the HP 16435A interlock cable adapter and the HP 16088B test fixture, see "To Connect Interlock Terminal" in this chapter.

To Install HP 16441A R-Box

Before installing HP 16441A R-Box, make sure that HP 4155A/4156A and HP 41501A are turned off.



1. Connect the following by using a 3.0 m or 1.5 m control cable:
To R-Box terminal (HP 4155A/4156A) \iff Control terminal (HP 16441A)
2. Connect the following by using:
 - 3.0 m or 1.5 m triaxial cables (when connecting HP 4155A or MPSMUs of HP 41501A):
MPSMU terminals (HP 4155A/HP 41501A) \iff Input Force terminals (HP 16441A)
 - 3.0 m or 1.5 m Kelvin triaxial cables (when connecting HP 4156A or HPSMU of HP 41501A):
HRSMU or HPSMU terminals (HP 4156A/HP 41501A) \iff Input terminals (HP 16441A)

Installation

Installing Accessories

3. Connect the following by using:

- 40 cm triaxial cables (when connecting HP 4155A or MPSMUs of HP 41501A):

Output Force terminals (HP 16441A) \leftrightarrow SMU terminals (HP 16442A or connector plate)

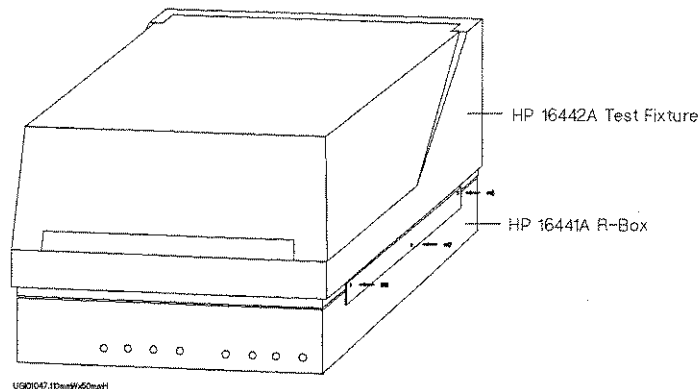
- 40 cm triaxial cables (when connecting HP 4156A or HPSMU of HP 41501A):

Output Force terminals (HP 16441A) \leftrightarrow SMU terminals (HP 16442A or connector plate)

Output Sense terminals (HP 16441A) \leftrightarrow SMU terminals (HP 16442A or connector plate)

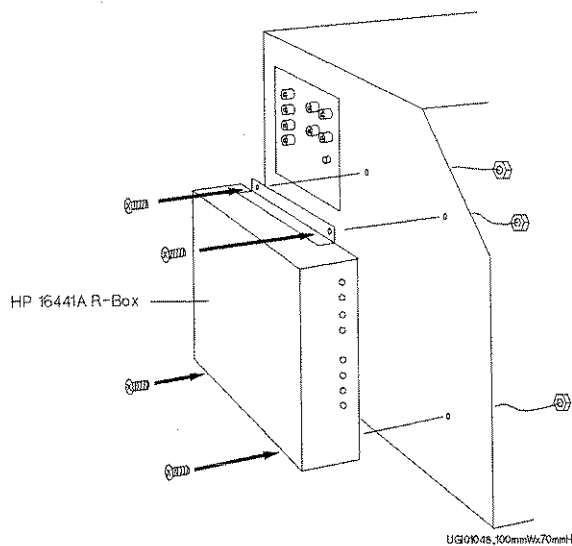
Installing HP 16441A R-box with other accessories.

You can attach the HP 16441A R-box to the HP 16442A test fixture or to your shielding box. The following figures show how to attach the HP 16441A R-box.



Attaching HP 16441A R-Box to HP 16442A Test Fixture

Installation
Installing Accessories

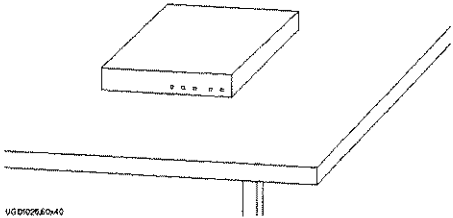
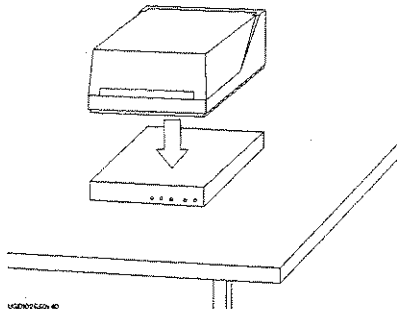
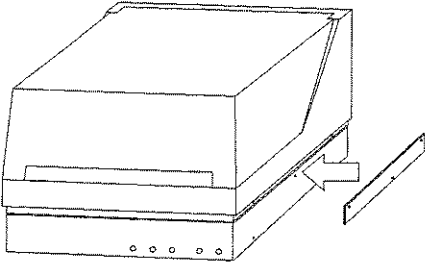
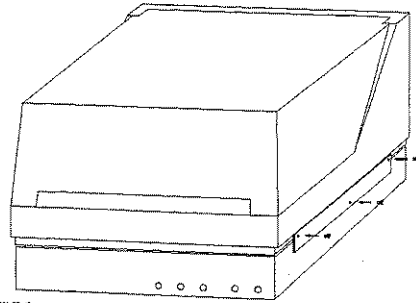


Attaching HP 16441A R-Box to Shielding Box

To Install HP 16440A SMU/Pulse Generator Selector

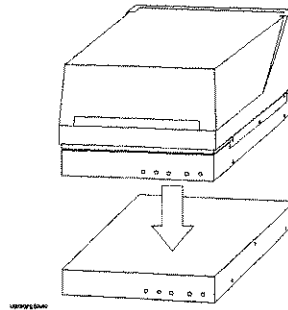
Note that to use the HP 16440A, the HP 4155A/4156A must be equipped with an HP 41501A SMU/Pulse Generator Expander that has two PGUs.

- Attaching your HP 16440A selector to HP 16442A test fixture

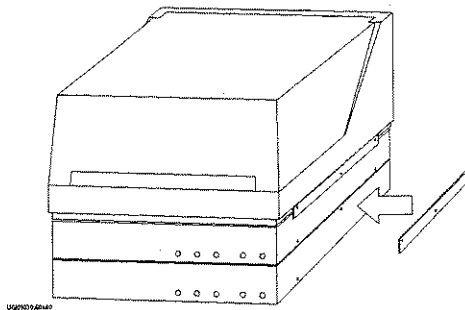
1. Put the HP 16440A selector on your workbench.	2. Put the HP 16442A test fixture on top of HP 16440A selector.
 <p>UG002560-40</p>	 <p>UG002560-40</p>
3. Put a plate on both sides.	4. Screw the three furnished flathead screws into each plate.
 <p>UG002560-40</p>	 <p>UG002560-40</p>

If you do *not* use an HP 16440A SMU/Pulse Generator Selector *expander*, skip the following steps:

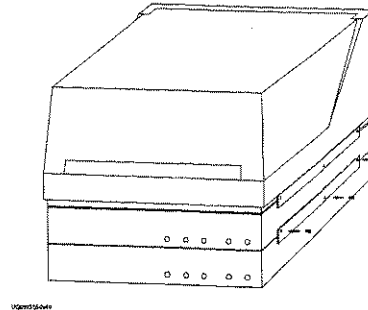
5. Put the HP 16440A selector *expander* on your workbench. Then, put the HP 16440A selector and HP 16442A test fixture (that were attached in the previous steps) on top of the HP 16440A selector *expander*.



6. Put a plate on both sides.



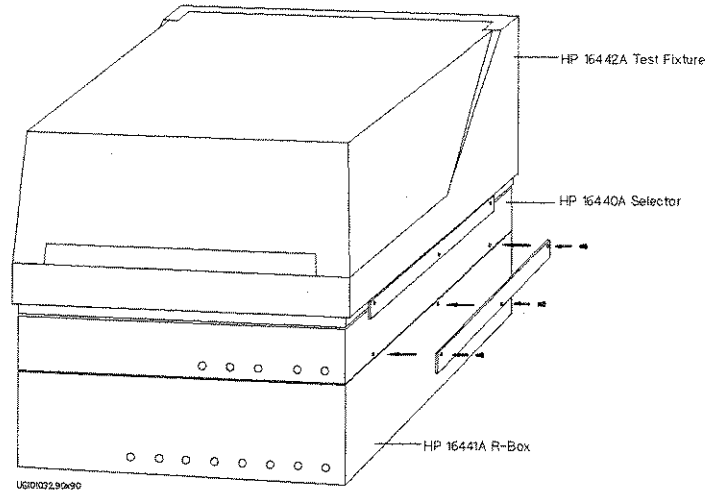
7. Screw the three furnished flathead screws into each plate.



Installation

Installing Accessories

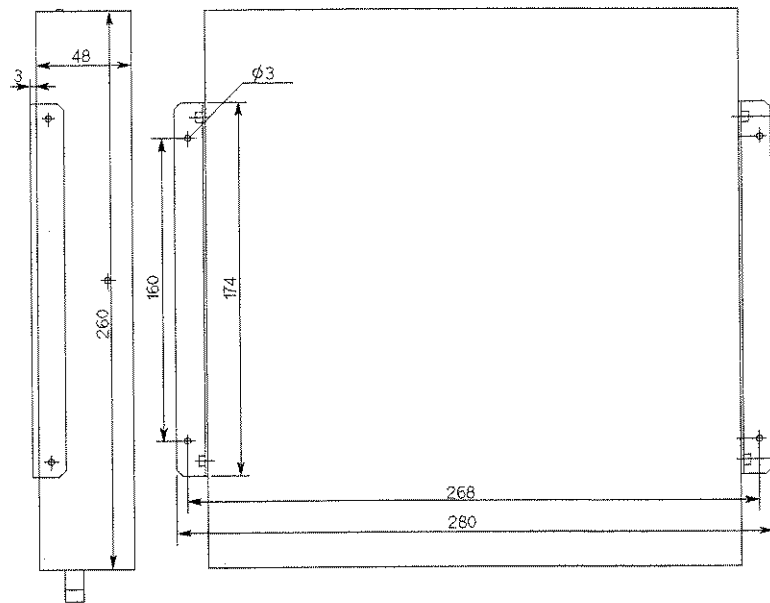
You can also attach an HP 16441A R-Box to the HP 16442A test fixture and HP 16440A selector as follows:



Attaching R-Box to Test Fixture and Selector

- Attaching HP 16440A selector to a shielding box

The following figure shows the spacing of the HP 16440A screw holes. You need to prepare four screws and nuts to match the screw holes.

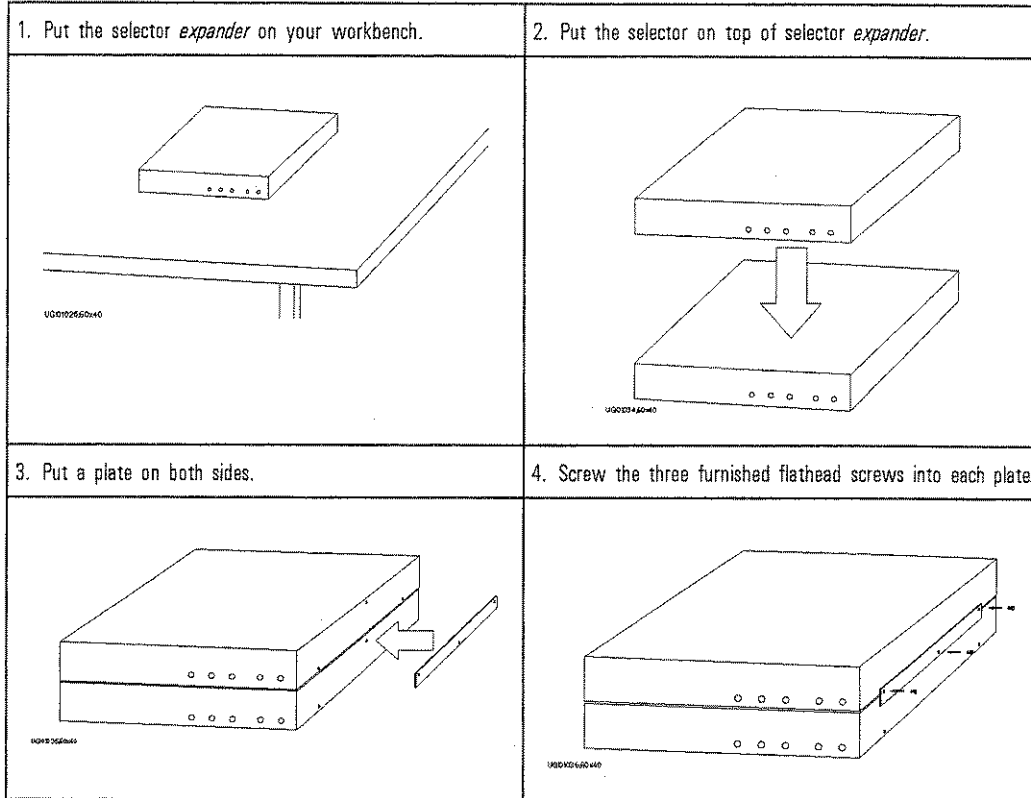


Units: mm
UG1010 33,100x100

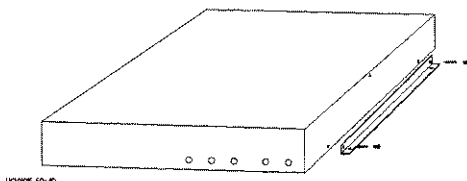
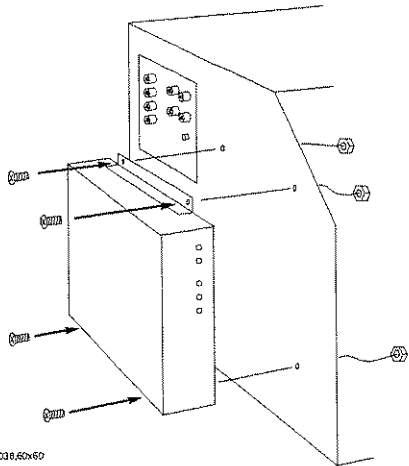
Installation

Installing Accessories

If you also use an HP 16440A selector *expander* with the HP 16440A selector, connect the selector *expander* as follows before connecting to the shielding box:



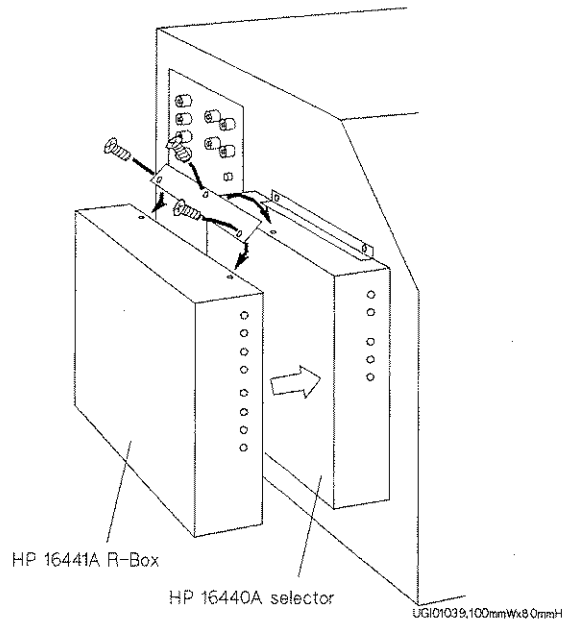
Connect selector (and selector *expander* if connected by previous procedure) to shielding box as follows:

<p>1. Attach an angle to both sides of HP 16440A by using the furnished screws.</p>	
 <p>UG0006,600,40</p>	
<p>2. Put the HP 16440A(s) on the side panel of your shielding box.</p> <p>3. Put four nuts on the inside panel of your shielding box.</p> <p>4. Screw four flathead screws into the side panel.</p>	 <p>UG0006,600,60</p>

Installation

Installing Accessories

You can also attach an HP 16441A R-Box to the HP 16440A selector on the shielding box as follows:



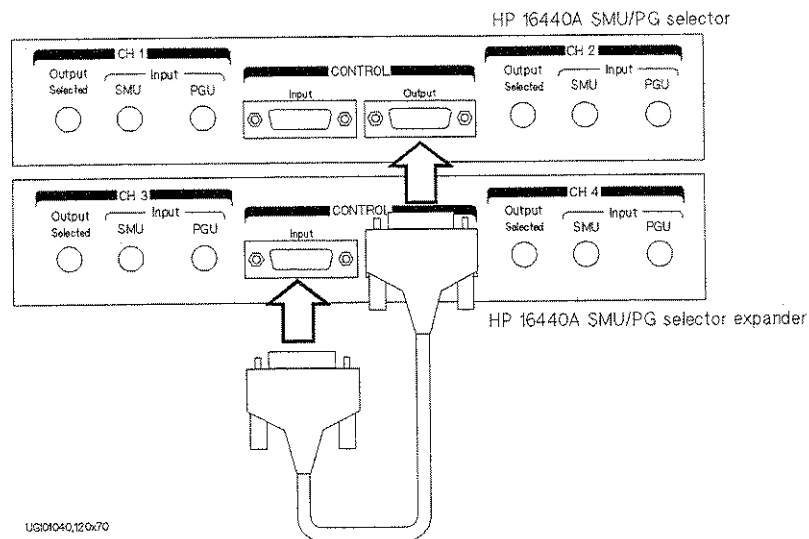
Attaching HP 16441A R-Box

To Connect HP 16440A Selector to HP 4155A/56A

- Connecting HP 16440A selector to HP 16440A selector *expander*

If you use selector *expander*, connect selector to selector *expander* by using 40 cm control cable as follows:

CONTROL Output terminal (selector) \leftrightarrow CONTROL Input terminal (selector *expander*)



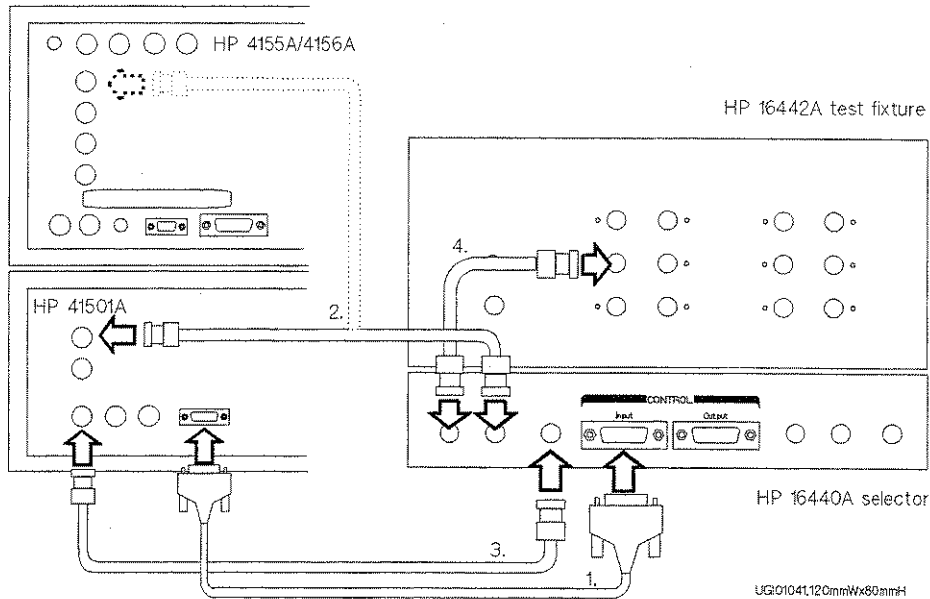
UG01040,120x70

Installation

Installing Accessories

- Connecting HP 16440A selector to HP 4155A/4156A

Before connecting, turn off HP 4155A/4156A and HP 41501A.



1. Connect the following by using a 3.0 m or 1.5 m control cable:
CONTROL Input terminal (selector) \leftrightarrow To SMU/Pulse Generator
Selector Interface terminal (HP 41501A).
Repeat following steps for desired channels of selector (or expander)
2. Connect the following by using a 3.0 m or 1.5 m triaxial cable:
Input SMU terminal (selector) \leftrightarrow SMU terminal (HP 4155A/56A or HP 41501A)
3. Connect the following by using a 3.0 m or 1.5 m coaxial cable:
Input PGU terminal (selector) \leftrightarrow PGU terminal (HP 41501A).
4. Connect the following by using a 40 cm triaxial cable:
Output Selected terminal (selector) \leftrightarrow SMU terminal (connector plate or HP 16442A test fixture).

Installing Peripherals

This section describes how to connect peripherals to the HP 4155A/4156A. The following are explained:

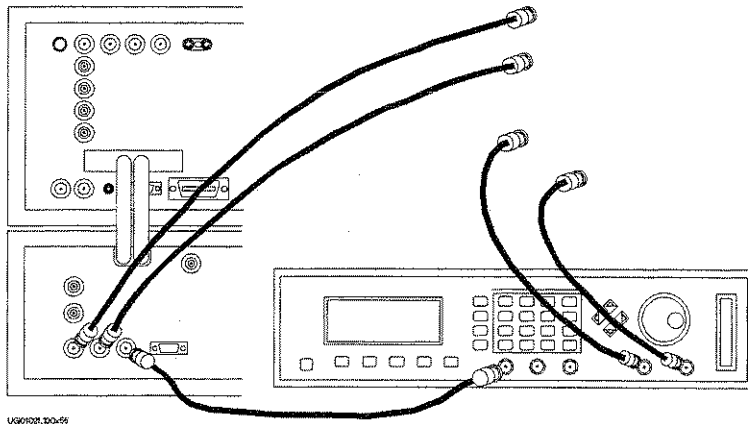
- To install plotter via RS-232-C.
- To install plotter via HP-IB.
- To install printer via RS-232-C.
- To install printer via HP-IB.

To connect with another pulse generator

This section describes how to connect an HP 8110A 150 MHz Pulse Generator to the HP 4155A/4156A. Here, you assume that the HP 8110A gets a trigger signal from the HP 4155A/4156A and force a specified pulse.

Note that the HP 4155A/4156A must be equipped with the HP 41501A that has two pulse generator units (PGUs).

Before connecting the HP 8110A, prepare for coaxial cables.



1. Switch off the HP 8110A, HP 41501A, and HP 4155A/4156A.
2. Connect the Trig Out connector on the rear panel of the HP 41501A to the EXT INPUT connector on the rear panel of the HP 8110A using a coaxial cable.
3. Connect the OUTPUT 1 or 2 connector on the rear panel of the HP 8110A to your device under tests (DUTs) using coaxial cables.
4. Switch on the HP 8110A, HP 41501A, and HP 4155A/4156A.
5. Specify the output pulse wave parameters of the HP 8110A. See the HP 8110A's *User's Guide*.

The HP 41501A outputs trigger signal that is synchronized with the output of the PGUs as shown in the following figure. The trigger signal level is TTL level.

The following scheme shows the timing of the output pulses and trigger signal. Note that the TRG-MODE is set to TRIGGERED PULSES.

Insert artwork here.

→

Installation
Installing Peripherals



Making a Measurement

Making a Measurement

To make a measurement, mount your device under test (DUT), set up your HP 4155A/4156A for the measurement, then execute the measurement. The HP 4155A/4156A can execute sweep and sampling measurements. The HP 4155A/4156A can also force stress to your DUT.

This chapter describes the tasks for making measurements, and is organized into the following four sections:

- Connection to Device Under Test (DUT)
- Sweep Measurements
- Knob Sweep Measurements
- Sampling Measurements
- Stress Force

For details about how to enter or input setup data, refer to “Page Organization” in *HP 4155A/4156A User’s Dictionary Reference*.

To satisfy the specifications of HP 4155A/4156A and HP 41501A measurement accuracy, perform calibration and adjustment every year and allow HP 4155A/4156A and HP 41501A to warm-up for a minimum of 40 minutes before you begin performing measurements.

Connection to Device Under Test (DUT)

This section describes how to connect your DUTs to the HP 4155A/4156A. Only the basic operations for connecting are described.

If the HP 4155A/4156A is not configured with a test fixture or your wafer prober yet, see “Setting up HP 4155A/4156A” in Chapter 2, *Test Fixture User’s Guide*, and your wafer prober manuals.

This section covers the HP 16442A test fixture only. For operating your wafer prober, see your wafer prober manuals.

Note that you must set the HP 4155A/4156A to the idle state when connecting or disconnecting your DUTs. If not, the DUTs may be damaged. To set to idle state, press **Stop** key and make sure Standby indicator is off.

The HP 4156A is designed for Kelvin connections. See “To Make Connections to Measure Low Resistance (For HP 4156A Only)” for Kelvin connection theory.

In this Section.

This section has the following task descriptions:

- To mount a DUT on test fixture
- To make connections to reduce leakage current
- To make connections to measure low resistance (for HP 4156A only)

To Mount a DUT on Test Fixture

1. Set your HP 4155A/4156A to idle state by pressing **Stop** key in the MEASUREMENT key group. If the standby indicator is lit, press the **Standby** key to turn off the standby indicator.
2. Select a proper socket module for your DUT, then set the module on the test fixture.
3. Mount your DUT on the socket module.
4. Connect the terminals of the socket module to the terminals of the test fixture by using the proper cables.
5. Close the lid of the test fixture, if necessary.

When the HP 4155A/4156A forces more than ± 40 V, close the lid of the test fixture. Otherwise, the interlock function will stop the HP 4155A/4156A output.

CAUTION

Do not connect or disconnect your DUT and HP 4155A/4156A while the HP 4155A/4156A is forcing voltage or current. Otherwise, your DUT may be damaged.

To connect the DUT on the test fixture, you can use cables that have the following connectors:

- Miniature banana—miniature banana
- Miniature banana—pin plug
- Miniature banana—miniature clip

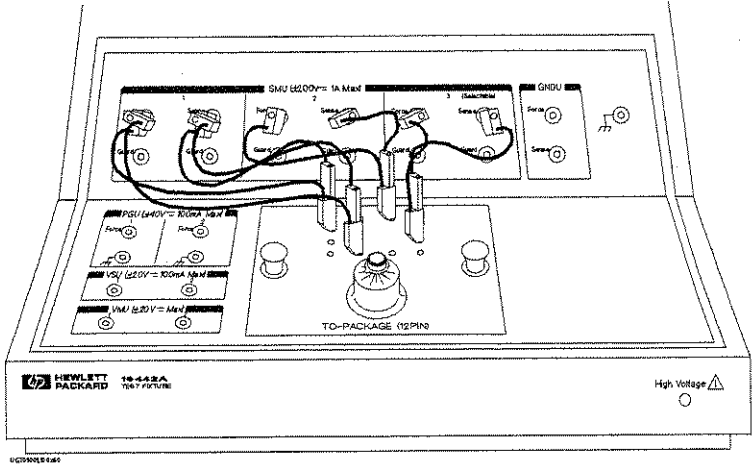
CAUTION

Do not touch the contact part of the connection cables. Oil, perspiration, and dirt prevent good electrical contact, deteriorate insulation, and degrade measurement accuracy.

Making a Measurement
Connection to Device Under Test (DUT)

Connections for High Current Measurement (HP 4156A Only)

When you force or measure a large current, you may want to use a **Kelvin (4-wire) connection** to eliminate the residual resistance effects of test leads and contacts. For example, you can use the following connections as Kelvin connections on the test fixture:



Examples: Kelvin Connection

To cancel the effects of the residual resistance, test leads must be connected as close as possible to the DUT.

To Make Connections to Reduce Leakage Current

- Connect the terminals of the connector plate to the probing needles by using coaxial cables.
- Connect coaxial center conductor to force terminal (of connector plate) and tail of the probing needle.
- Connect coaxial outer conductor to guard terminal (of connector plate).

To reduce the leakage current, extend the guard conductor as close as possible to the DUT.

WARNING

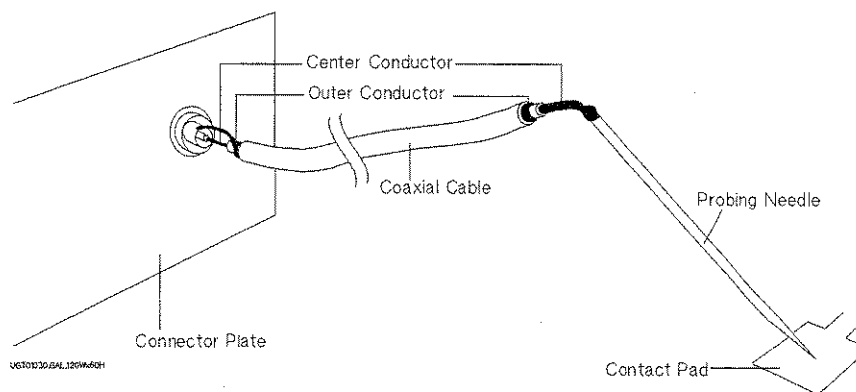
Do not touch the guard terminal with bare hands because you may be shocked by high voltage. The potential of the guard terminal is equal to the output voltage.

CAUTION

Never connect the guard terminal to any other output, including circuit common, frame ground, or the guard terminal of any other unit. Doing so may damage the unit.

Example

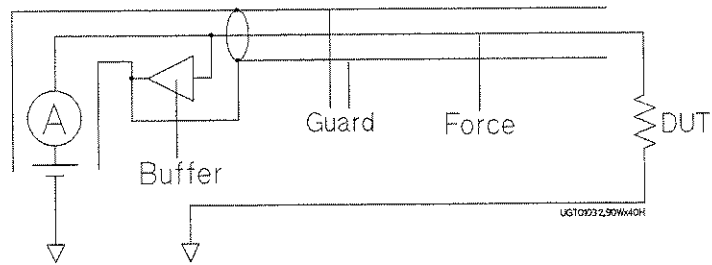
The following example connection can be used to reduce the leakage current. Extend the outer conductor as close as possible to the probing needle. This also reduces the induced noise.



Guarding

Guarding reduces the leakage current between the measurement points and instrument. This is important when you measure low current.

The following figure shows the theory of guarding. The buffer amplifier ($\times 1$) keeps the potential of the guard conductor at the same potential as the force conductor, so current does not flow between the force and guard conductors. Therefore, the current measured by SMU is same as current at measurement point because no current is leaked.



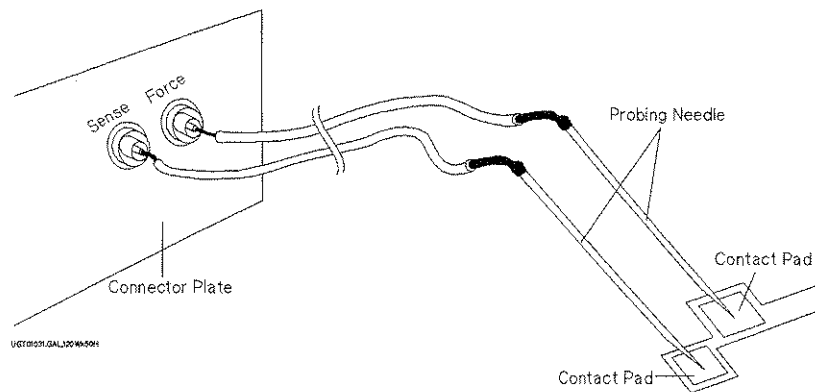
To Make Connections to Measure Low Resistance (For HP 4156A Only)

- Connect force and sense terminals of SMU as close as possible to the DUT.

When you measure a low resistance, high current flows through the DUT. This high current increases the measurement error caused by the residual resistance of cables and contacts. To cancel the effect of this resistance, you can use *Kelvin connections* (4-wire), which means the force and sense lines are extended separately to the DUT.

Example

The following example connection can be used to measure low resistance. The sense point of the voltage measurement is at the contact pad, so the voltage due to the residual resistance between the instrument and the sense point is canceled.

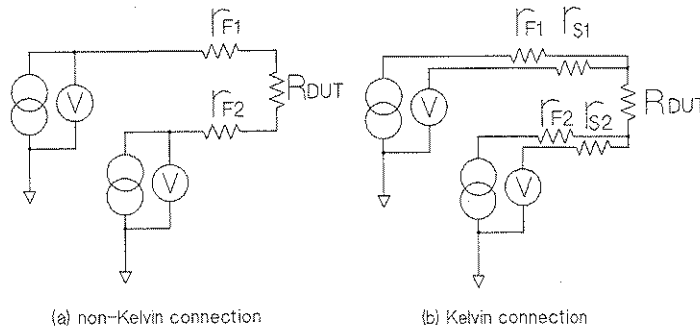


To reduce the leakage current, use coaxial cables to connect the connector plate to the probing needle.

Kelvin Connection

Kelvin connections give good measurement results when you force high-current. The following figure shows the equivalent circuits for Kelvin and non-Kelvin connections.

- For the non-Kelvin connection, the voltmeter measures the voltage drop of resistances r_{F1} , R_{DUT} , and r_{F2} .
- For the Kelvin connection, the voltmeter measures the voltage drop of resistance R_{DUT} only. The impedance of the voltmeter is very high, so the voltage drop of resistances r_{S1} and r_{S2} is very small.



UC701003.1200W60H

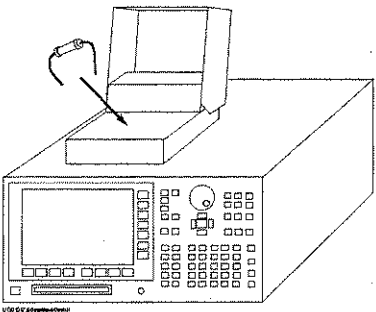
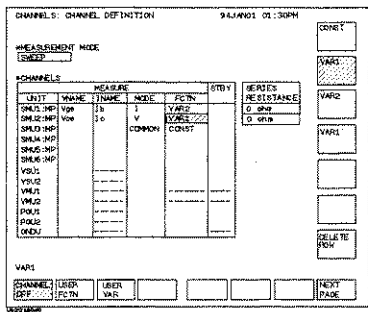
The Kelvin connection is effective even when forcing voltage. The voltage drop due to the residual resistance of the force line wiring is fed back to the voltage source via a comparator in the sense line, thereby ensuring the specified voltage output at the sense point (point where force and sense lines intersect). The input impedance of comparator is high, so current flow into the sense line is very low. Therefore, output error is not significant if the sense line wiring has a residual resistance of 10Ω or less.

Sweep Measurements

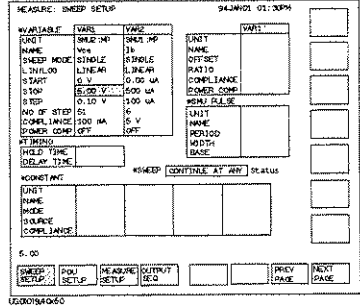
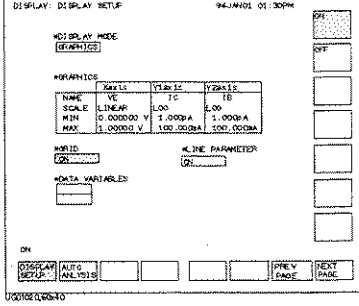
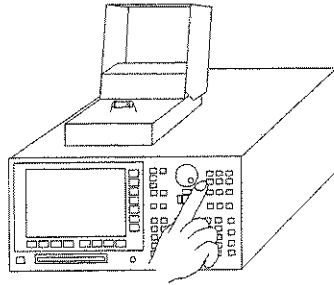
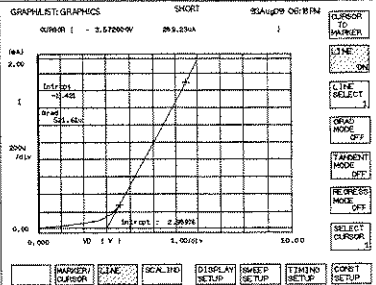
This section describes the sweep measurement tasks.

Basic Procedures for Sweep Measurements.

The basic procedure to test your DUT is as follows:

	
<p>1. Connecting your DUT to the HP 4155A/4156A. See "Connection to Device Under Test (DUT)" for procedures.</p>	<p>2. Defining measurement mode and measurement units that you use to make measurement. The following tasks are described:</p> <ul style="list-style-type: none"> • To Define Sweep Measurement Units • To Define a User Function • To Control R-Box

Making a Measurement Sweep Measurements

	
<p>3. Setting the source parameters of the units. The following tasks are described:</p> <ul style="list-style-type: none"> • To Set up Primary Sweep Source • To Set up Secondary Sweep Source • To Set up Synchronous Sweep Source • To Set up Constant Output • To Set up SMU Pulsed Output • To Set up PGU Pulsed Output 	<p>4. Setting the display mode to show measurement results. The following tasks are described:</p> <ul style="list-style-type: none"> • To Set up Graphical Display of Measurement Results • To Set up List Display of Measurement Results
	
<p>5. Executing the measurement. The following tasks are described:</p> <ul style="list-style-type: none"> • To Output Same Value Before and After Measurements • To Execute or Stop Measurement 	<p>Results. For example, displayed graphically.</p>

To Define Sweep Measurement Units

1. Press **Chan** key in the PAGE CONTROL key group.
2. Select **CHANNEL DEF** primary softkey.
3. In the MEASUREMENT MODE area, select **SWEEP** secondary softkey.
4. In the VNAME column, enter a unique name for voltage variable. For example, enter **Vce** for collector-emitter voltage. If channel does neither V force nor V measurement, you can omit VNAME.
5. In the INAME column, enter a unique name for current variable. For example, enter **Ic** for collector current. If channel does neither I force nor I measurement, you can omit INAME.
6. In the MODE column, select:
 - **V** secondary softkey for voltage output mode (SMU, VSU, and PGU, and grounded voltage measurement mode of VMU).
 - **I** secondary softkey for current output mode (SMU).
 - **VPULSE** secondary softkey for pulsed voltage output mode (SMU and PGU).
 - **IPULSE** secondary softkey for pulsed current output mode (SMU).
 - **COMMON** secondary softkey for circuit common mode (SMU and GNDU).
 - **DVOLT** secondary softkey for differential voltage measurement mode (VMU).
7. In the FCTN column, select:
 - **CONST** for constant output function (SMU, VSU, and PGU).
 - **VAR1** for primary sweep output function (SMU and VSU).
 - **VAR2** for secondary sweep output function (SMU and VSU).
 - **VAR1?** for synchronous sweep output function (SMU and VSU).

You can use VNAME and INAME names in user function definitions or for analysis on the GRAPHICS/LIST pages. These names must be 6 or less alphanumeric characters. First character must be alphabet character.

For details about STBY and SERIES RESISTANCE fields, see "CHANNELS: CHANNEL DEFINITION page" in "Page Organization" or "Types of Operation State" in "Measurement Functions" of *HP 4155A/4156A User's Dictionary Reference*.

To disable a unit.

Move the pointer to the row of the unit, then select the **DELETE ROW** secondary softkey. The settings in the row are deleted.

Example

The following settings show an example for measuring an n-p-n transistor's I-V characteristics. SMU1 is connected to base, SMU2 is connected to collector, and SMU3 is connected to emitter. SMU1 is set to current source (I mode) and secondary sweep (VAR2) function. SMU2 is set to voltage source (V mode) and primary sweep (VAR1) function. SMU3 is set to COMMON.

CHANNELS: CHANNEL DEFINITION 94JAN01 01:30PM

*MEASUREMENT MODE

*CHANNELS

UNIT	VNAME	INAME	MODE	FCTN	STBY	SERIES RESISTANCE
SMU1:MP	Vbe	Ib	I	VAR2		0 ohm
SMU2:MP	Vce	Ic	V	VAR1		0 ohm
SMU3:MP			COMMON	CONST		
SMU4:MP						
SMU5:MP						
SMU6:MP						
VSU1						
VSU2						
VMU1						
VMU2						
PGU1						
PGU2						
GNDU						

CONST
 VAR1
 VAR2
 VAR1
 DELETE ROW

VAR1

CHANNEL DEF USER FCTN USER VAR NEXT PAGE

UG090230070

Example Channel Definition: Sweep Measurement

To Set up Primary Sweep Source

1. Define VAR1 unit as described in "To Define Sweep Measurement Units".
2. Press **Meas** key in the PAGE CONTROL key group.
3. Select **SWEEP SETUP** primary softkey.
4. In the SWEEP MODE field of the VAR1 column, select:
 - **SINGLE** secondary softkey to set single sweep mode.
 - **DOUBLE** secondary softkey to set double sweep mode.
5. In the LIN/LOG field of the VAR1 column, select:
 - **LINEAR** secondary softkey to set linear step mode.
 - **LOG XX** secondary softkey to set logarithmic step mode. XX is 10, 25, or 50, which specifies the number of steps per decade.
6. In the START field of the VAR1 column, enter the start value.
7. In the STOP field of the VAR1 column, enter the stop value.
8. In the STEP field of the VAR1 column, enter the step value.

The NO OF STEP is automatically calculated from the start, stop, and step values.

If you select **LOG** for LIN/LOG, the polarity of start and stop values must be the same.

To change the compliance value of VAR1.

Enter desired compliance value into COMPLIANCE field of VAR1 column.

To modify the UNIT and NAME fields.

Modify the UNIT and NAME fields on the CHANNELS: CHANNEL DEFINITION page.

Example

The following example shows the primary sweep conditions (VAR1 parameters):

MEASURE: SWEEP SETUP 94JAN01 01:30PM

*VARIABLE	VAR1	VAR2
UNIT	SMU2:MP	
NAME	Vce	
SWEEP MODE	SINGLE	
LIN/LOG	LINEAR	
START	0 V	
STOP	5.00 V	
STEP	0.10 V	
NO OF STEP	51	
COMPLIANCE	1.00 mA	
POWER COMP	OFF	

*TIMING
 HOLD TIME 0.0 s
 DELAY TIME 0.000 s

*SWEEP CONTINUE AT ANY Status

*CONSTANT

UNIT				
NAME				
MODE				
SOURCE				
COMPLIANCE				

5.00

SWEEP SETUP
 PGU SETUP
 MEASURE SETUP
 OUTPUT SEQ

 PREV PAGE
 NEXT PAGE

UG01003.90x70

To Set up Secondary Sweep Source

1. Define VAR2 unit as described in "To Define Sweep Measurement Units".
2. Press **Meas** key in the PAGE CONTROL key group.
3. Select **SWEEP SETUP** primary softkey.
4. In the START field of the VAR2 column, enter the start value.
5. In the STEP field of the VAR2 column, enter the step value.
6. In the NO OF STEP field of the VAR2 column, enter the number of steps.

To output secondary sweep source, you also need to set up primary sweep source. For details of how to set up primary sweep source, refer to "To Set up Primary Sweep Source".

For secondary sweep source, the following is always set automatically: SWEEP MODE is set to SINGLE, and LIN/LOG is set to LINEAR. You cannot modify the SWEEP MODE and LIN/LOG fields for the secondary sweep source.

The STOP value is automatically calculated from the start value, step value, and the number of steps.

To change the compliance value of VAR2.

Enter desired compliance value into COMPLIANCE field of VAR2 column.

To modify the UNIT and NAME fields.

Modify the UNIT and NAME fields on the CHANNELS: CHANNEL DEFINITION page.

Example

The following example shows the secondary sweep conditions (VAR2 parameters):

MEASURE: SWEEP SETUP 94JAN01 01:30PM

	VAR1	VAR2
UNIT	SMJ2:MP	SMJ1:MP
NAME	Vce	Ib
SWEEP MODE	SINGLE	SINGLE
LIN/LOG	LINEAR	LINEAR
START	0 V	0.00 uA
STOP	5.00 V	500 uA
STEP	0.10 V	100 uA
NO OF STEP	51	6
COMPLIANCE	100 mA	5 V
POWER COMP	OFF	OFF

*TIMING
 HOLD TIME 0.0 s
 DELAY TIME 0.000 s

*SWEEP CONTINUE AT ANY Status

*CONSTANT

UNIT	NAME	MODE	SOURCE	COMPLIANCE

0.0001

SWEEP SETUP
 PGU SETUP
 MEASURE SETUP
 OUTPUT SEQ

 PREV PAGE
 NEXT PAGE

UG01004.90x70

To Set up Synchronous Sweep Source

1. Define VAR1' unit as described in "To Define Sweep Measurement Units".
2. Press **Meas** key in the PAGE CONTROL key group.
3. Select **SWEEP SETUP** primary softkey.
4. In the OFFSET field of the VAR1' column, enter the offset value.
5. In the RATIO field of the VAR1' column, enter the ratio value.

The output value of VAR1' is calculated by the following equation:

$$VAR1' = VAR1 \times RATIO + OFFSET$$

To output synchronous sweep source, you also need to set up primary sweep source VAR1. For details of how to set up VAR1, refer to "To Set up Primary Sweep Source". VAR1 and VAR1' must both be voltage output mode or both current output mode. For example, if VAR1 is V output mode, then VAR1' must be V or VPULSE output mode.

To change the compliance value of VAR1'.

Enter desired compliance value into COMPLIANCE field of VAR1' column.

To modify the UNIT and NAME fields.

Modify the UNIT and NAME fields on the CHANNELS: CHANNEL DEFINITION page.

Example

The following example shows the synchronous sweep conditions (VAR1 parameters):

MEASURE: SWEEP SETUP 94JAN01 01:30PM

*VARIABLE	VAR1	VAR2	VAR1
UNIT	SMU2:MP	SMU1:MP	SMU3:MP
NAME	Vce	Ib	Vsync
SWEEP MODE	SINGLE	SINGLE	0.00
LN/LOG	LINEAR	LINEAR	1.00
START	0 V	0.00 uA	100 uA
STOP	5.00 V	500 uA	OFF
STEP	0.10 V	100 uA	
NO OF STEP	51	6	
COMPLIANCE	100 mA	5 V	
POWER COMP	OFF	OFF	

*TIMING

HOLD TIME	0.0 s
DELAY TIME	0.000 s

*CONSTANT *SWEEP [CONTINUE AT ANY] Status

UNIT				
NAME				
MODE				
SOURCE				
COMPLIANCE				

0.01

UG01005,90x70

To Set up Constant Output

1. Define CONST units as described in "To Define Sweep Measurement Units".
2. Press **Meas** key in the PAGE CONTROL key group.
3. Select **SWEEP SETUP** primary softkey.
4. In the SOURCE field of the desired unit in the CONSTANT area, enter the desired output value.

To modify the UNIT, NAME, and MODE fields.

Modify the UNIT, NAME, and MODE fields on the CHANNELS: CHANNEL DEFINITION page.

Example

The following example shows the constant output conditions:

MEASURE: SWEEP SETUP 94JAN01 01:30PM

*VARIABLE	VAR1	VAR2
UNIT	SMU1:MP	
NAME	If	
SWEEP MODE	SINGLE	
LIN/LOG	LOG 10	
START	1.00 uA	
STOP	1.00 mA	
STEP		
NO OF STEP	31	
COMPLIANCE	100 mV	
POWER COMP	OFF	

*TIMING

HOLD TIME	0.0 s
DELAY TIME	0.000 s

*CONSTANT

UNIT	SMU2:MP			
NAME	Voff			
MODE	V			
SOURCE	1.000 V			
COMPLIANCE	100 mA			

*SWEEP CONTINUE AT ANY Status

1.00

SWEEP SETUP	PGU SETUP	MEASURE SETUP	OUTPUT ISO			PREV PAGE	NEXT PAGE
-------------	-----------	---------------	------------	--	--	-----------	-----------

UG01006,90x70

To Set up SMU Pulsed Output

1. Define SMU to be VPULSE or IPULSE mode as described in “To Define Sweep Measurement Units”.
 - For pulsed sweep source, specify SMU FCTN to be VAR1, VAR2, or VAR1’.
 - For pulsed constant source, specify SMU FCTN to be CONST.
2. Press **Meas** key in the PAGE CONTROL key group.
3. Select **SWEEP SETUP** primary softkey.
4. Set as follows:
 - For pulsed sweep source, set up VAR1, VAR2, or VAR1’ area.
 - For pulsed constant source, set up CONSTANT area.
5. In the PERIOD field of the SMU PULSE area, enter the pulse period value.
6. In the WIDTH field of the SMU PULSE area, enter the pulse width value.
7. In the BASE field of the SMU PULSE area, enter the pulse base value.

On the CHANNEL DEFINITION page, you can set *only one* SMU to be a pulsed source. Then, you set the pulse parameters in the SMU PULSE area of the SWEEP SETUP page.

The relation between the PERIOD, WIDTH, and BASE values are as shown in the following figures.

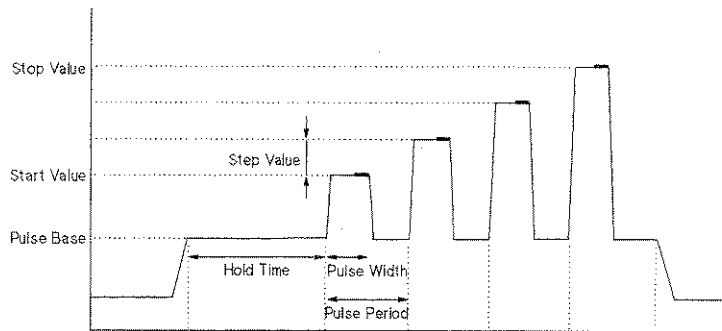
For figure (a), the SMU is set on the CHANNELS: CHANNEL DEFINITION page as follows:

- MODE: VPULSE or IPULSE
- FCTN: VAR1, VAR2, or VAR1’

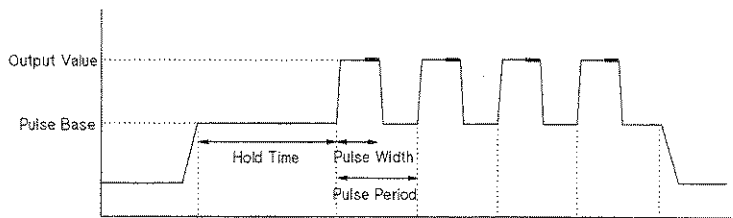
For figure (b), the SMU is set on the CHANNELS: CHANNEL DEFINITION page as follows:

- MODE: VPULSE or IPULSE
- FCTN: CONST

Making a Measurement
Sweep Measurements



(a) For Pulsed Sweep Source



(b) For Pulsed Constant Source

US0007,97X10

The pulse peak values depend on the values you set in the VAR1, VAR1', VAR2, or CONSTANT area.

To modify the UNIT and NAME fields.

Modify the UNIT and NAME fields on the CHANNELS: CHANNEL DEFINITION page.

Example

The following shows an example setup of SMU pulsed output on the MEASURE: SWEEP SETUP page.

MEASURE: SWEEP SETUP 94JAN01 01:30PM

*VARIABLE	VARI1	VARI2
UNIT	SMU1:MP	
NAME	If	
SWEEP MODE	SINGLE	
LIN/LOG	LOG 10	
START	1.00 uA	
STOP	1.00 mA	
STEP	-----	
NO OF STEP	31	
COMPLIANCE	100 mV	
POWER COMP	-----	

*SMU PULSE	
UNIT	SMU1:MP
NAME	If
PERIOD	10.0ms
WIDTH	1.00ms
BASE	0.000 A

*TIMING
HOLD TIME 0.0 s

*SWEEP CONTINUE AT ANY Status

*CONSTANT	SMU2:MP			
UNIT	SMU2:MP			
NAME	Voff			
MODE	V			
SOURCE	5.000 V			
COMPLIANCE	100 mA			

0.001

SWEEP
SETUP

PGU
SETUP

MEASURE
SETUP

OUTPUT
SEQ

PREV
PAGE

NEXT
PAGE

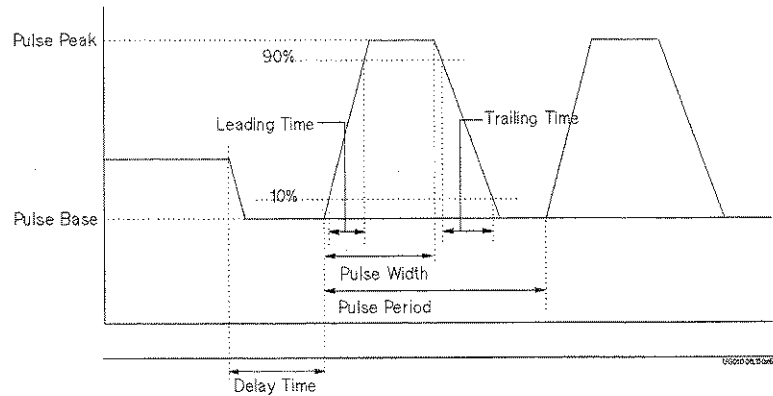
UG01039,90x70

To Set up PGU Pulsed Output

1. Define PGU to be VPULSE and CONST as described in "To Define Sweep Measurement Units".
2. Press **Meas** key in the PAGE CONTROL key group.
3. Select **PGU SETUP** primary softkey.
4. In the PERIOD field of PGU1, enter the pulse period value.
5. In the WIDTH field of desired PGU column, enter the pulse width value.
6. In the DELAY TIME field of desired PGU column, enter delay time value.
7. In the PEAK VALUE field of desired PGU column, enter pulse peak value.
8. In the BASE VALUE field of desired PGU column, enter pulse base value.
9. In the LEADING TIME field of desired PGU column, enter the leading-edge transition time.
10. In the TRAILING TIME field of desired PGU column, enter the trailing-edge transition time.
11. In the IMPEDANCE field of desired PGU column, select:
 - **LOW** secondary softkey for approximately zero ohm output impedance.
 - **50 ohm** secondary softkey for 50 ohm output impedance.
12. In the PULSE COUNT field, do one of the following:
 - Select **FREE RUN** secondary softkey to force the pulse continuously.
 - Or enter the number of pulses to output (for sampling measurement only).

For the pulse period and pulse count values, the values you set for PGU1 are also used for PGU2.

The following figure shows the relation between pulse waveform and setup parameters.



You cannot set compliance for a PGU, which has a 100 mA current limit.

To modify the UNIT and NAME fields.

Modify the UNIT and NAME fields on the CHANNELS: CHANNEL DEFINITION page.

Using PGUs as Constant Voltage Source

To use a PGU as a constant voltage source, set the desired PGU as follows:

- V in MODE column on the CHANNEL DEFINITION page
- Desired output voltage value in SOURCE field on MEASURE: PGU SETUP page.

Making a Measurement
Sweep Measurements

Example

The following example shows setup of PGU pulsed output on the MEASURE: PGU SETUP page.

MEASURE: PGU SETUP 94-JAN01 01:30PM

*PULSE		
UNIT	PGU1	PGU2
NAME		
PERIOD	10.00ms	-----
WIDTH	5.00ms	
DELAY TIME	0.00000 s	
PEAK VALUE	100mV	
BASE VALUE	0.00 V	
LEADING TIME	100ns	
TRAILING TIME	100ns	
IMPEDANCE	LOW	
PULSE COUNT	0	-----

*CONSTANT		
UNIT	PGU1	PGU2
NAME		
SOURCE		

0.00500

SWEEP
SETUP

PGU
SETUP

MEASURE
SETUP

OUTPUT
SEQ

PREV
PAGE

NEXT
PAGE

UG01040,100x70

To Output Same Value Before and After Measurements

1. Press **Chan** key in the PAGE CONTROL key group.
2. Select **CHANNEL DEF** primary softkey.
3. In the STBY column of the desired unit, select **STANDBY ON** secondary softkey.
4. Press **Standby** key in the MEASUREMENT key group.

The indicator above the **Standby** key shows whether the Standby function is enabled. If this indicator is ON, then for the units that you selected **STANDBY ON**, the units have the following output value during the Standby state (that is, before and after measurements or stress):

Function of a Unit	Output during Standby State
VAR1	VAR1 Start value
VAR1'	Ratio × Start + Offset
VAR2	VAR2 Start value
CONSTANT	Output value

For sampling measurements, only the CONSTANT function is available.

From Standby state, you can execute measurements or force stress by pressing **Single**, **Repeat**, **Append**, or **Stress** key. After measurement or stress, the STANDBY ON units are returned to same output value as before measurement or stress.

If Standby indicator is ON, then pressing the **Standby** key disables the Standby function, and Standby output stops. Pressing the **Stop** key has no affect on the Standby state.

To Define a User Function

1. Press **Chan** key in the PAGE CONTROL key group.
2. Select **USER FCTN** primary softkey.
3. In the NAME column, enter the user function name.
4. In the UNIT column, enter the units.
5. In the DEFINITION column, enter the user function definition.

The user function name must be 6 or less alphanumeric characters. First character must be alphabet character. Name must be unique. Name is case sensitive. For example, HFE is different from Hfe.

In the user function definition, you can enter an expression that consists of any of the following:

- VNAME and INAME names that you entered on the CHANNELS: CHANNEL DEFINITION page.
- Other user functions.
- Numerical operators.
- Built-in functions such as DELTA and SQRT.

For details about expressions, numerical operators, and built-in functions, refer to "Data Variable and-Analysis Function" in *HP 4155A/4156A User's Dictionary Reference*.

Example

The following figure shows an example setup to define Hfe.

CHANNELS: USER FUNCTION DEFINITION 94JAN01 01:30PM

NAME	UNIT	DEFINITION
Hfe		I_c/I_b

Vbe
 Ib
 Vce
 Ic

Ic/Ib
 CHANNEL DEF
 USER FCTN
 USER VAR

 PREV PAGE
 NEXT PAGE

UC01041, 60x70

To Set up Graphical Display of Measurement Results

1. Press **Display** key in the PAGE CONTROL key group.
2. Select **DISPLAY SETUP** primary softkey.
3. In the DISPLAY MODE field, select **GRAPHICS** secondary softkey.
4. In the Xaxis column, enter variable name, select axis scale, and enter minimum and maximum values.
5. In the Y1axis column, enter variable name, select axis scale, and enter minimum and maximum values.
6. If you use Y2 axis, enter variable name, select axis scale, and enter minimum and maximum values in Y2axis column.

When the pointer is in the NAME row, the allowable variable names appear in the secondary softkey area. To set a variable name, select the desired secondary softkey. The allowable names are names that you already set up on the CHANNEL DEFINITION, USER FUNCTION, and USER VARIABLE pages.

To display a grid on the plotting area.

In GRID field, select **ON** secondary softkey.

To remove the grid.

In GRID field, select **OFF** secondary softkey.

To control display of line parameters on GRAPHICS page.

In LINE PARAMETER field, select **ON** to display or **OFF** to not display. Line parameters are the X and Y intercepts and gradient of the analysis lines.

To set up variable to be displayed on the GRAPHICS page.

In DATA VARIABLES fields, select secondary softkey for desired variable.

To Set up List Display of Measurement Results

1. Press **Display** key in the PAGE CONTROL key group.
2. Select **DISPLAY SETUP** primary softkey.
3. In the DISPLAY MODE field, select **LIST** secondary softkey.
4. In the LIST area, select the secondary softkey of the variables for which you want to list the measurement results.

When the pointer is in the NAME row, the allowable variable names appear in the secondary softkey area. To set a variable name, select the desired secondary softkey. The allowable names are names that you already set up on CHANNEL DEFINITION, USER FUNCTION, and USER VARIABLE pages.

To set up variable to be displayed on the LIST page.

In DATA VARIABLES fields, select secondary softkey for desired variable.

Example

Following figure is an example setup to display VE, IC, and IB on LIST page.

The screenshot shows the 'DISPLAY: DISPLAY SETUP' screen with the following elements:

- Header: DISPLAY: DISPLAY SETUP, 94JAN01 01:30PM
- *DISPLAY MODE: LIST
- *LIST table:

No.	NAME
1	VE
2	IC
3	IB
4	
5	
6	
7	
8	
- *DATA VARIABLES: (empty field)
- Secondary softkey area (right side): VE, VC, VB, IE, IC, IB (highlighted with diagonal lines), MORE, 1/2
- Bottom left: JB
- Bottom right: DISPLAY SETUP (highlighted), AUTO ANALYSIS, PREV PAGE, NEXT PAGE
- Footer: UG01038,100*70

To Execute or Stop Measurement

- To execute a measurement, press:
 - **Single** key in the MEASUREMENT key group for single measurement.
 - **Repeat** key in the MEASUREMENT key group for repeat measurement.
 - **Append** key in the MEASUREMENT key group for append measurement.
- To stop a measurement, press **Stop** key in the MEASUREMENT key group.

Single, Repeat, and Append Measurement

There are three measurement execution modes as follows:

Single measurement	Clears GRAPHICS or LIST page, then executes measurement one time. Measurement results are displayed on GRAPHICS or LIST page.
Repeat measurement	Executes measurements continuously. Before each measurement is executed, the GRAPHICS or LIST page is cleared. Most recent measurement results are displayed on GRAPHICS or LIST page.
Append measurement	Executes measurement one time. Does <i>not</i> clear GRAPHICS or LIST page. That is, measurement results are added to the existing results.

To Control R-Box

1. Connect HP 16441A R-Box to HP 4155A/4156A and to HP 16442A Test Fixture or connector plate on your shield box. For details about connections, refer to "Connections" in *HP 4155A/4156A User's Dictionary Reference*.
2. Press **Chan** front-panel key of the PAGE CONTROL key group.
3. Select **CHANNEL DEF** primary softkey to display the CHANNELS: CHANNEL DEFINITION page.
4. In the SERIES RESISTANCE fields, select:
 - **0 ohm** secondary softkey to connect 0 Ω resistance.
 - **10k ohm** secondary softkey to connect 10 k Ω resistance.
 - **100k ohm** secondary softkey to connect 100 k Ω resistance.
 - **1M ohm** secondary softkey to connect 1 M Ω resistance.

Resistance is switched just before and just after measurement state. In the standby state, the stress force state, and the idle state, 0 Ω is connected.

HP 4155A/4156A automatically compensates for the resistance values.

For the following SMUs, you can set 0 Ω *only*:

- SMU that is set to **ON** in the **STBY** field.
- SMU that is set to **COMMON** in the **MODE** field.

You can set resistance values for the following SMUs.

- If HP 41501A SMU/Pulse Generator Expander is not installed or does not have an HPSMU
 - SMU1
 - SMU2
- If HP 41501A has an HPSMU
 - SMU1
 - SMU5

Example

The following figure shows an example setup to connect 10 kΩ resistance to SMU1 and SMU2.

CHANNELS: CHANNEL DEFINITION 94JAN01 01:30PM

*MEASUREMENT MODE
SWEEP

*CHANNELS

UNIT	VNAME	INAME	MEASURE	MODE	FCTN	STBY	SERIES RESISTANCE
SMU1:MP	Vbe	Ib	I	I	VAR2		10k ohm
SMU2:MP	Vce	Ic	V	V	VAR1		10k ohm
SMU3:MP			COMMON		CONST		
SMU4:MP							
SMU5:MP							
SMU6:MP							
VSU1							
VSU2							
VMU1							
VMU2							
PGU1							
PGU2							
GNDU							

10k ohm

0 ohm
10k ohm
100k ohm
1M ohm

CHANNEL USER USER
DEF FCTN VAR

NEXT PAGE

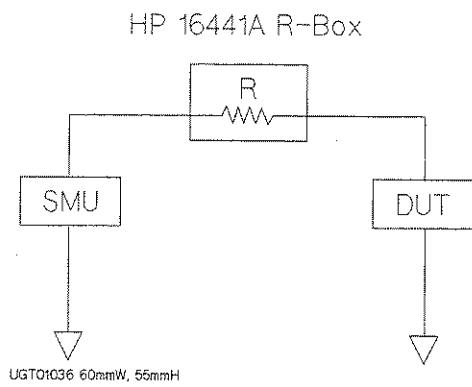
V6610:3:10k ohm

Making a Measurement
Sweep Measurements

To Measure Negative Resistance Characteristics

HP 16441A R-Box allows SMUs to measure current-controlled negative resistance ($\leq 1 \text{ M}\Omega$) characteristics.

Connect the resistance of HP 16441A as shown in following figure.



Knob Sweep Measurements

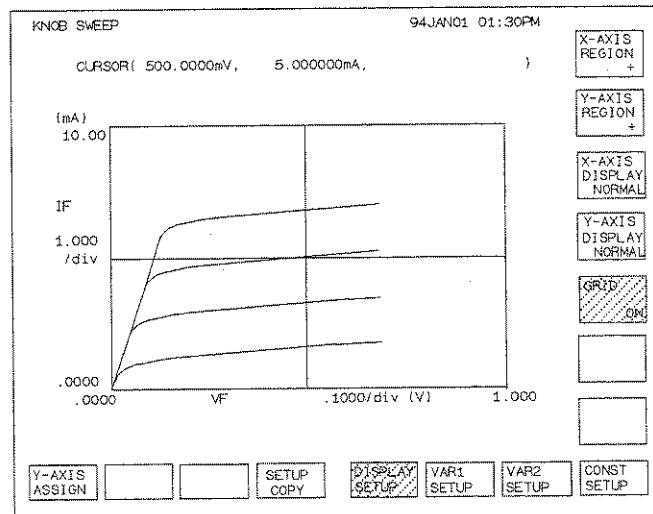
This section covers the following tasks about knob sweep measurements.

- To execute knob sweep measurement
- To stop knob sweep measurement

The knob sweep function is useful in the following cases:

- when you want to determine a parameter value for normal sweep
- when you want to quickly make a rough measurement of a DUT characteristics

The following figure shows the KNOB SWEEP page.



To Execute Knob Sweep Measurement

1. Define the measurement units on the CHANNELS: CHANNEL DEFINITION page as described in "To Define Sweep Measurement Units".
 2. Set the sweep information on the MEASURE: SWEEP SETUP page.
For details, refer to the following:
 - "To Set up Primary Sweep Source"
 - "To Set up Secondary Sweep Source"
 - "To Set up Constant Output"
 3. Set the MEASURE: PGU SETUP page (if you use PGUs).
 4. Press the green key. Then, press **Single** front-panel key to display the KNOB SWEEP page.
 5. Select **DISPLAY SETUP** primary softkey to display DISPLAY SETUP secondary key group.
 6. Select **X-AXIS REGION** secondary softkeys to set the desired X axis display region. Selecting the **X-AXIS REGION** secondary softkey toggles as follows:
+ → - → +/- → +
 7. Select **Y-AXIS REGION** secondary softkeys to set the desired Y axis display region. Selecting the **Y-AXIS REGION** secondary softkey toggles as follows:
+ → - → +/- → +
 8. Rotate the rotary knob to stretch or shrink the measurement curve.
- If you set constant outputs or PGU output in step 2 or 3, the outputs start immediately after you perform step 4.
- During measurements, self-test, or forcing stress, step 4 is ignored.

Note the following restrictions:

- CHANNELS: CHANNEL DEFINITION page
 - MEASUREMENT MODE field

In the MEASUREMENT MODE field, be sure to set **SWEEP**. If you select **SAMPLING MODE**, you cannot execute knob sweep measurement.
 - MODE field

Pulsed SMU (VPULSE and IPULSE) are not available for knob sweep measurement.
 - FCTN field

VAR1' is not available for knob sweep measurement.
- MEASURE: SWEEP SETUP page

You cannot use the power compliance function for knob sweep measurement.

To change the variable assigned to y axis.

Do as follows:

1. Press **Stop** front-panel key.
2. Select **Y-AXIS ASSIGN** primary softkey.
3. Select a secondary softkey to assign the desired variable name to y axis.

The available variables are the variables you entered in the INAME and VNAME columns of the CHANNELS: CHANNEL DEFINITION page. You cannot use user functions or user variables.

To copy setups on the knob sweep page.

Select **SETUP COPY** primary softkey to copy setups on this page to the MEASURE: SWEEP SETUP and DISPLAY: DISPLAY SETUP pages.

Knob Sweep Measurements

If you ignore restrictions for knob sweep setup

If CHANNELS or MEASURE page group have settings that are not available for knob sweep measurements, a warning message is displayed, then the following primary softkeys are displayed.

- **STOP**
- **CONT**

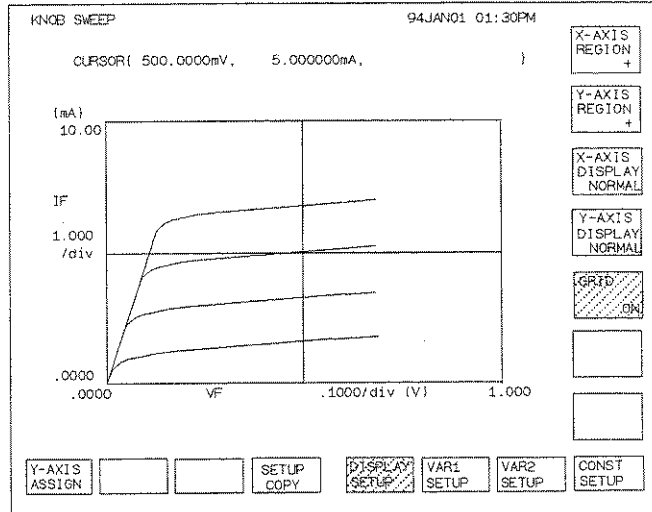
If you select **CONT** softkey, HP 4155A/4156A performs knob sweep measurement as follows:

- If VAR1' is set in the FCTN field on the CHANNELS: CHANNEL DEFINITION page:
The channel that is set to VAR1' set to CONST (output value: VAR1' start). So synchronous measurement is not performed.
- If an SMU is set to VPULSE or IPULSE the MODE field on the CHANNELS: CHANNEL DEFINITION page:
Non-pulsed sweep measurement is performed.
- If the POWER COMP fields are set on the MEASURE: SWEEP SETUP page:
The specified values are ignored. Measurement is performed the same as if OFF is selected.

If you select **STOP** softkey, the incorrect setting is highlighted, and you can correct it.

Example

The following figure shows an example to set both X axis and Y axis display regions to positive.



UGT01034, 100*70

To Stop Knob Sweep Measurement

- Press **Stop** front-panel key.

If you execute knob sweep measurement from the idle state, pressing **Stop** front-panel key returns to the idle state.

If you execute knob sweep measurement from the standby state, pressing **Stop** front-panel key returns to the standby state.

Starting knob sweep again after pressing **Stop front-panel key**

If you stop knob sweep measurement, then start the measurement again, the measurement start point depends on how you start the measurement.

- started by **Single** front-panel key *only*

If you press the **Single** front-panel key, the knob sweep measurement starts from the point where it was stopped by **Stop** front-panel key.

- started by green key and **Single** front-panel key

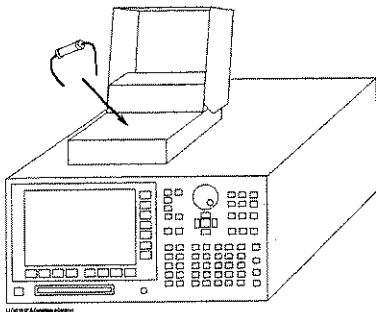
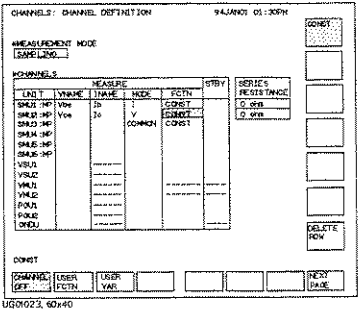
If you press the green key, then press **Single** front-panel key, the knob sweep measurement starts from 0 V or 0 A.

Sampling Measurements

This section covers the tasks for sampling measurements.

Basic Procedures for Sampling Measurements.

The basic procedure to test your DUT is as follows:

	
<p>1. Connecting your DUT to the HP 4155A/4156A. See "Connection to Device Under Test (DUT)" for procedures.</p>	<p>2. Defining measurement mode and measurement units that you use to make measurement. The following tasks are described:</p> <ul style="list-style-type: none"> • To Define Sampling Measurement Units. • To Define a User Function (see previous section) • To Control R-Box (see previous section)

To Define Sampling Measurement Units

1. Press **Chan** key in the PAGE CONTROL key group.
2. Select **CHANNEL DEF** primary softkey.
3. In the MEASUREMENT MODE area, select **SAMPLING** secondary softkey.
4. In the VNAME column, enter a unique name for voltage variable. For example, enter *V_{ce}* for collector-emitter voltage. If channel does neither V force nor V measurement, you can omit VNAME.
5. In the INAME column, enter a unique name for current variable. For example, enter *I_c* for collector current. If channel does neither I force nor I measurement, you can omit INAME.
6. In the MODE column, select:
 - **V** secondary softkey for voltage output mode (SMU, VSU, and PGU, and grounded voltage measurement mode of VMU).
 - **I** secondary softkey for current output mode (SMU).
 - **VPULSE** secondary softkey for pulsed voltage output mode (PGU).
 - **COMMON** secondary softkey for circuit common mode (SMU and GNDU).
 - **DVOLT** secondary softkey for differential voltage measurement mode (VMU).
7. In the FCTN column, select **CONST** secondary softkey for all source units.

You can use VNAME and INAME in user function definitions or for analysis on the GRAPHICS/LIST pages. These names must be 6 or less alphanumeric characters. First character must be alphabet character.

For details about STBY and SERIES RESISTANCE fields, see "CHANNELS: CHANNEL DEFINITION page" in "Page Organization" or "Types of Operation State" in "Measurement Functions" of *HP 4155A/4156A User's Dictionary Reference*.

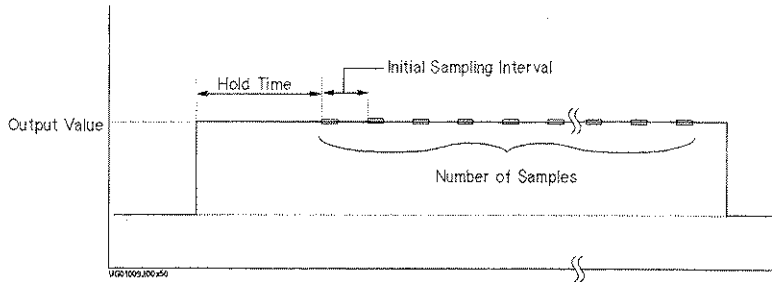
To Set up Sampling Parameters

1. Confirm that **SAMPLING** is set in the MEASUREMENT MODE field on the CHANNELS: CHANNEL DEFINITION page. If **SAMPLING** is not set, select **SAMPLING** secondary softkey in the MEASUREMENT MODE field.
2. Press **Meas** key in the PAGE CONTROL key group.
3. Select **SAMPLING SETUP** primary softkey.
4. In the MODE field of SAMPLING PARAMETER, select:
 - **LINEAR** secondary softkey for equally spaced sampling intervals.
 - **LOG XX** secondary softkey for logarithmically spaced sampling intervals. XX is 10, 25, or 50 sampling points per decade.
 - **THINNED-OUT** secondary softkey for reduced sampling interval of more recent samples (by thinning less recent samples).
5. In the INITIAL INTERVAL field, enter a value for the first sampling interval.
6. In the NO. OF SAMPLES field, enter the number of points at which to sample.

If you set the TOTAL SAMP. TIME to AUTO, the HP 4155A/4156A takes NO. OF SAMPLES samples, then sampling stops. If you set a value for TOTAL SAMP. TIME, see "Measurement Mode" or "Page Organization" in *HP 4155A/4156A User's Dictionary Reference*.

The following figure shows the relation between the sampling parameters and sampling measurement.

Making a Measurement
Sampling Measurements



You can set a hold time by entering a number (units: seconds) in the HOLD TIME field.

Example

The following figure shows example setup of the sampling parameters.

MEASURE: SAMPLING SETUP 94JAN01 01:30PM

*SAMPLING PARAMETER		*STOP CONDITION	
MODE	LINEAR	ENABLE/DISABLE	ENABLE
INITIAL INTERVAL	2 ms	ENABLE DELAY	0.01 s
NO. OF SAMPLES	1001	NAME	R
TOTAL SAMP. TIME	AUTO	THRESHOLD	0.1
HOLD TIME		EVENT	Val > Th
FILTER		EVENT NO.	4
*CONSTANT			
UNIT			
NAME			
MODE			
SOURCE			
COMPLIANCE			
1			

1

UGT01043,100x70

To Set up Constant Output

1. Define CONST units as described in “To Define Sampling Measurement Units”.
2. Press **Meas** key in the PAGE CONTROL key group.
3. Select **SAMPLNG SETUP** primary softkey.
4. In the SOURCE field of the desired unit in the CONSTANT area, enter the desired output value.

To modify the UNIT, NAME, and MODE fields.

Modify the UNIT, NAME, and MODE fields on the CHANNELS: CHANNEL DEFINITION page.

To set up compliance value for constant output.

Set desired value in the COMPLIANCE field of the CONSTANT table. For details about compliance, see “Compliance” in *HP 4155A/4156A User’s Dictionary Reference*.

Making a Measurement
Sampling Measurements

Example

The following example shows the constant output conditions:

MEASURE: SAMPLING SETUP 94JAN01 01:30PM

*SAMPLING PARAMETER		*STOP CONDITION	
MODE	LINEAR	ENABLE/DISABLE	ENABLE
INITIAL INTERVAL	2 ms	ENABLE DELAY	0.01 s
NO. OF SAMPLES	1001	NAME	R
TOTAL SAMP. TIME	AUTO	THRESHOLD	0.1
HOLD TIME		EVENT	{Val}>{Th}
FILTER		EVENT NO.	1

*CONSTANT			
UNIT	SMU2:HR		
NAME	V2		
MODE	V		
SOURCE	2.000V		
COMPLIANCE	100.00mA		

1.00

UGT01047,100x70

To Define Measurement Stop Conditions

1. Press **Meas** key in the PAGE CONTROL key group.
2. Select **SAMPLING SETUP** primary softkey.
3. In the ENABLE/DISABLE field of the STOP CONDITION area, select **ENABLE** secondary softkey.
4. In NAME field of STOP CONDITION area, select the secondary softkey for the desired variable name or user function name to be used for EVENT comparison.
5. In THRESHOLD field of STOP CONDITION area, enter the threshold value for the name selected in the previous step.
6. In EVENT field of STOP CONDITION area, select:
 - **Val > Th** secondary softkey to stop the sampling when the sampled value is greater than the threshold value.
 - **Val < Th** secondary softkey to stop the sampling when the sampled value is less than the threshold value.
 - **|Val| > |Th|** secondary softkey to stop the sampling when the absolute sampled value is greater than the absolute threshold value.
 - **|Val| < |Th|** secondary softkey to stop the sampling when the absolute sampled value is less than the absolute threshold value.

If you set the stop condition to DISABLE, the sampling measurement continues until:

- **Stop** key in the MEASUREMENT key group is pressed.
- Specified total sample time has elapsed.
- The HP 4155A/4156A receives HP-IB command to stop sampling.
- An emergency condition occurs on HP 4155A/4156A.
- Interlock terminal opens due to high voltage. (See "To Connect Interlock Terminal" in Chapter 2.)

Making a Measurement
Sampling Measurements

You can set an EVENT NO., which specifies the sampling to stop when EVENT occurs EVENT NO. times.

Example

The following figure shows an example setup of stop condition.

MEASURE: SAMPLING SETUP 94JAN01 01:30PM

*SAMPLING PARAMETER		*STOP CONDITION	
MODE	LINEAR	ENABLE/DISABLE	ENABLE
INITIAL INTERVAL	2 ms	ENABLE DELAY	0.01 s
NO. OF SAMPLES	1001	NAME	R
TOTAL SAMP. TIME	AUTO	THRESHOLD	0.1
HOLD TIME	0.000 s	EVENT	Val > Th
FILTER	ON	EVENT NO.	3
*CONSTANT			
UNIT			
NAME			
MODE			
SOURCE			
COMPLIANCE			
1			
SAMPLING SETUP	PGU SETUP	MEASURE SETUP	OUTPUT SEQ
			PREV PAGE
			NEXT PAGE

0616010,00070

Stress Force

This section covers the tasks for stress forcing.

Stress Forcing with HP 4155A/4156A.

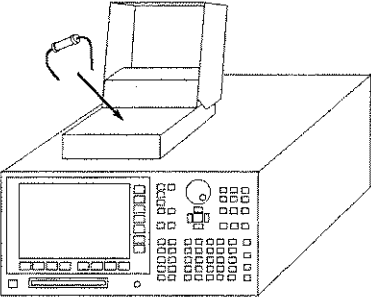
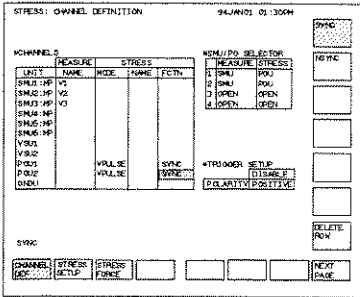
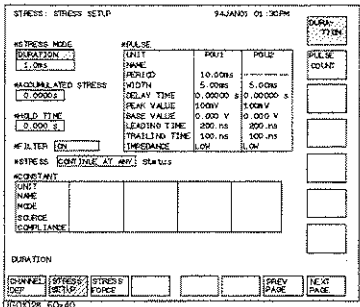
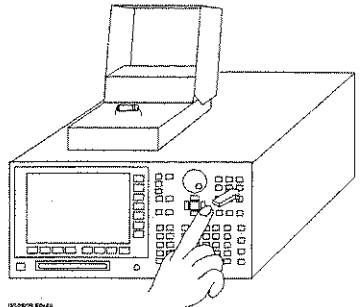
Two types of stress can be forced by the HP 4155A/4156A:

- *dc stress*
 - Dc voltage stress can be forced from SMUs, VSUs, or PGUs.
 - Dc current stress can be forced from SMUs.
- *ac stress* (also called *pulsed stress*)
 - Ac voltage stress can be forced from PGUs.
 - Ac current stress *cannot* be forced from the HP 4155A/4156A.

Basic Procedure for Stress Forcing.

The following illustrates the basic procedures for stress forcing.

Making a Measurement Stress Force

	
<p>1. Connecting your DUT to the HP 4155A/4156A. See "Connection to Device Under Test (DUT)" for procedures.</p>	<p>2. Defining the stress units and constant output units. The following tasks are described:</p> <ul style="list-style-type: none"> • To Set up Stress Source Channels • To Control Selector for Switching SMU and PGU
	
<p>3. Setting the stress forcing parameters and constant output value. The following tasks are described:</p> <ul style="list-style-type: none"> • To Set up Stress Conditions/Timings • To Set up DC Stress • To Set up AC (Pulse) Stress 	<p>4. Executing the stress forcing. The following task is described:</p> <ul style="list-style-type: none"> • To Force Stress

To Set up Stress Source Channels

1. Press **Stress** key in the PAGE CONTROL key group.
2. Select **CHANNEL DEF** primary softkey.
3. In the MODE field of desired unit in CHANNELS area, select:
 - **V** secondary softkey for dc voltage stress forcing mode (SMU, VSU, and PGU).
 - **I** secondary softkey for dc current stress forcing mode (SMU).
 - **VPULSE** secondary softkey for ac voltage stress forcing mode (PGU).
 - **COMMON** secondary softkey for circuit common (SMU and GNDU).
4. In the NAME field of desired unit in the CHANNELS area, enter the stress channel name.
5. In the FCTN field of units that will be stress force channels, select **SYNC** secondary softkey.

The stress channel name is only used for reference on the STRESS SETUP page, not on any results page. So, you can omit the name if desired.

In the FCTN column, you can set up to four units to SYNC. At least one unit must be set to SYNC in the FCTN column. The SYNC (stress force) units all start forcing stress at the same time. The NSYNC (non-stress force units) channels start forcing stress in sequence when state changes to stress force state. For this timing, see "Stress Force Sequence" in "Measurement Function" of *HP 4155A/4156A User's Dictionary Reference*.

If the row of a unit does not have settings, the unit is not used.

To disable a unit.

In the row of the unit, select the **DELETE ROW** secondary softkey. The settings in the row are deleted.

Making a Measurement
Stress Force

To set up non-stress output channels.

Perform the following procedure.

1. Perform first 3 steps described above.
2. In the FCTN field, select **NSYNC** secondary softkey.

If you use two PGUs as pulsed sources (VPULSE), both must be SYNC or both NSYNC.

Example

The following figure shows an example setup to set two PGUs to ac stress source.

STRESS: CHANNEL DEFINITION 94JAN01 01:30PM

*CHANNELS					*SMU/PG SELECTOR	
UNIT	NAME	MODE	NAME	FCTN	MEASURE	STRESS
SMU1:MP	V1				1 SMU	PGU
SMU2:MP	V2				2 SMU	PGU
SMU3:MP	V3				3 OPEN	OPEN
SMU4:MP					4 OPEN	OPEN
SMU5:MP						
SMU6:MP						
VSU1						
VSU2						
PGU1		VPULSE		SYNC		
PGU2		VPULSE		NSYNC		
GNDU						

*TRIGGER SETUP
 POLARITY POSITIVE

SYNC

CHANNEL DEF STRESS SETUP STRESS FORCE [] [] [] [] NEXT PAGE

UG109H100A70

To Set up Stress Condition/Timing

1. Press **Stress** key in the PAGE CONTROL key group.
2. Select **STRESS SETUP** primary softkey.
3. In the MODE field of the STRESS MODE area, select:
 - **DURATION** secondary softkey to specify how long to force stress.
 - **PULSE COUNT** secondary softkey to specify how many pulses to output for force stress (for ac stress only).
4. In the DURATION or PULSE COUNT field, enter the duration or pulse count. You can select **FREE RUN** secondary softkey to output stress continuously.
5. In the STRESS **Status** field, select:
 - **CONT AT ANY** secondary softkey to continue forcing the stress even if an abnormal status occurs.
 - **STOP AT ANY ABNORM** secondary softkey to stop forcing the stress when any abnormal status occurs.
 - **STOP AT COMPLIANCE** secondary softkey to stop forcing the stress only when SMU reaches its compliance setting.

STOP AT ANY ABNORM and **STOP AT COMPLIANCE** secondary softkeys are displayed only when specified duration is more than 10 s. If you set pulse count mode, these secondary softkeys are displayed only when $pulse\ period \times pulse\ count$ is more than 10 s.

Stress stop function is not effective until stress has been forced for 10 s.

In the duration mode, you set time (in seconds) for stress forcing. In the pulse count mode, you set an integer to specify how many pulses to output for stress forcing.

Making a Measurement

Stress Force

Abnormal status means the following:

- SMU reaches its compliance setting.
- Current of VSU exceeds ± 100 mA.
- SMU or VSU oscillates.
- A/D converter overflow occurs.
- Average current of PGU exceeds ± 100 mA.

To set hold time.

In the HOLD TIME field, set desired value. For the meaning of hold time, see "Stress Force Sequence" in "Measurement Function" of *HP 4155A/4156A User's Dictionary Reference*.

To Set up AC (Pulse) Stress

1. Press the **Stress** key in the PAGE CONTROL key group. Confirm that the following is set on the STRESS: CHANNEL DEFINITION page for the PGUs that you want to set up for ac stress:
 - VPULSE is set in the MODE field.
 - SYNC is set in the FCTN field.
2. Select **STRESS SETUP** primary softkey.
3. In the PERIOD field, enter the pulse period.
4. In the WIDTH field, enter the pulse width.
5. In the DELAY TIME field, enter the delay time, which is the time from the stress start to the beginning of the pulse leading edge. See following figure.
6. In the PEAK VALUE field, enter the pulse peak value.
7. In the BASE VALUE field, enter the pulse base value.
8. In LEADING TIME field, enter the leading-edge transition time of pulse.
9. In TRAILING TIME field, enter the trailing-edge transition time of pulse.

The same period you set for PGU1 is also used for PGU2. For the other parameters, you can set different values for PGU1 and PGU2.

To set other areas of the STRESS: STRESS SETUP page, see "To Set up Stress Condition/Timing".

To modify the UNIT and NAME fields.

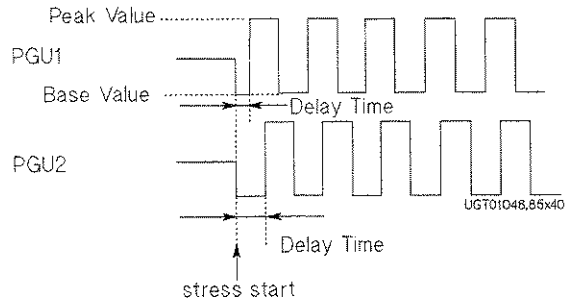
Modify UNIT and NAME fields on STRESS: CHANNEL DEFINITION page.

To set output impedance of PGU1 or PGU2.

In the IMPEDANCE field, select:

- **LOW** secondary softkey to set output impedance to low (approximately zero).
- **50 ohm** secondary softkey to set output impedance to 50 Ω .

The following figure shows the meaning of delay time.



Example

The following figure shows an example to set up ac stress.

STRESS: STRESS SETUP 94JAN01 01:30PM

*STRESS MODE	*PULSE		
DURATION	UNIT	PGU1	PGU2
1.0ms	NAME		
	PERIOD	10.00ms	-----
*ACCUMULATED STRESS	WIDTH	5.00ms	5.00ms
0.0000s	DELAY TIME	0.00000 s	0.00000 s
*HOLD TIME	PEAK VALUE	100mV	100mV
0.000 s	BASE VALUE	0.000 V	0.000 V
*FILTER ON	LEADING TIME	100.nS	100.nS
	TRAILING TIME	100.nS	100.nS
*STRESS CONTINUE AT ANY Status	IMPEDANCE	LOW	LOW
*CONSTANT			
UNIT	SMU1:MP		
NAME	VSU		
MODE	V		
SOURCE	5.00 V		
COMPLIANCE	1.0000mA		

0.000000100

CHANNEL DEF STRESS SETUP STRESS FORCE PREV PAGE NEXT PAGE

UGT01048,85x40

To Set up DC Stress

1. Press **Stress** key in the PAGE CONTROL key group. Confirm that the following is set on the STRESS: CHANNEL DEFINITION page for the units that you want to set up for dc stress:
 - V or I is set in the MODE field.
 - SYNC is set in the FCTN field.
2. Select **STRESS SETUP** primary softkey.
3. In the SOURCE field for the desired unit in the CONSTANT area, enter the desired dc stress value.
4. In the COMPLIANCE field in the CONSTANT area, enter the compliance value.

The non-stress (NSYNC) constant units also appear in the CONSTANT area. You can set SOURCE and COMPLIANCE values for these units the same way as you set the dc stress units.

To set other areas of the STRESS: STRESS SETUP page, see "To Set up Stress Condition/Timing".

To modify the UNIT, NAME, and MODE fields.

Modify the UNIT, NAME, and MODE fields on the STRESS: CHANNEL DEFINITION page.

To Force Stress

- Press **Stress** key in the MEASUREMENT key group.

The STRESS area shows the specified stress duration time. Even if you set STRESS MODE to PULSE COUNT, the stress duration time is calculated and shown in seconds.

The ACCUMULATED STRESS area shows the total stress that has already been forced.

To change the stress time (duration mode).

Select **CHANGE DURATON** secondary softkey, then enter desired value.

The **CHANGE DURATON** secondary softkey is displayed only if the DURATION mode is selected on the STRESS: STRESS SETUP page.

To change pulse count (pulse count mode).

Select **CHANGE PLS CNT** secondary softkey, then enter desired value.

The **CHANGE PLS CNT** secondary softkey is displayed only if the PULSE COUNT mode is selected on the STRESS: STRESS SETUP page.

To reset STATUS value to 0 s and 0 %.

Select **RESET STATUS** secondary softkey.

To reset ACCUMULATED STRESS value to 0s.

Select **RESET ACCUM STRESS** secondary softkey.

To change ACCUMULATED STRESS value.

On the STRESS: STRESS SETUP page, enter the desired value in the ACCUMULATED STRESS field.

Example

The following figure shows an example of STRESS: STRESS FORCE page.

STRESS: STRESS FORCE 94JAN01 01:30PM

*STRESS (DURATION)	10.0000 s	CHANGE COMMENT
*STATUS	5.0000 s 50.00 %	CHANGE DURATON 0.0010
*ACCUMULATED STRESS	123.4500 s	RESET STATUS
		RESET ACCUM STRESS
CHANNEL DEF	STRESS SETUP	STRESS FORCE
		PREV PAGE

U0996K1000*

To Control Selector for Switching SMU and PGU

1. Press **Stress** key in the PAGE CONTROL key group.
2. Select **CHANNEL DEF** primary softkey.
3. In the MEASURE field of the desired channel in the SMU/PG SELECTOR area, select:
 - **SMU** secondary softkey to connect SMU to DUT during measurement state.
 - **PGU** secondary softkey to connect PGU to DUT during measurement state.
 - **OPEN** secondary softkey to disconnect SMU, PGU, and DUT during measurement state.
 - **PGU OPEN** secondary softkey to disconnect PGU from DUT by semiconductor switch during measurement state.
4. In the STRESS field of the desired channel in the SMU/PG SELECTOR area, select:
 - **SMU** secondary softkey to connect SMU to DUT during stress force state.
 - **PGU** secondary softkey to connect PGU to DUT during stress force state.
 - **OPEN** secondary softkey to disconnect SMU, PGU, and DUT during stress force state.
 - **PGU OPEN** secondary softkey to disconnect PGU from DUT by semiconductor switch during stress force state.

The selector has two types of switches: relay switch and semiconductor switch.

Normally, the relay switch has three states: SMU is connected to DUT, PGU is connected to DUT, and neither is connected to DUT. The semiconductor switch, which is in the PGU line, is used for high-speed switching.

Making a Measurement
Stress Force



Analyzing Measurement Results

Analyzing Measurement Results

HP 4155A/4156A can analyze measurement results of the GRAPH/LIST page group by using lines, markers, and cursors. You can perform manual or automatic analysis.

For automatic analysis function, you set up the DISPLAY: ANALYSIS SETUP page before starting measurements. Then, after the measurements are performed, the lines and markers are positioned automatically according to the setup.

The information about these functions is organized into the following two sections:

- Manual Analysis
- Automatic Analysis

For details about line modes and specifying points, refer to "Data Variable and Analysis Function" in *HP 4155A/4156A User's Dictionary Reference*. Also, see "GRAPH/LIST Page Group" in *HP 4155A/4156A User's Dictionary Reference*.

Manual Analysis

You can position lines, markers, and cursors by using front-panel keys, rotary knob, and softkeys.

This section covers the following manual analysis tasks:

- To specify a measurement point on curve
- To specify between measurement points on curve
- To display or move cursor
- To adjust display range to measurement curve automatically
- To zoom the display range
- To center display at cursor location
- To draw line through two specified points
- To draw line through specified point with specified gradient
- To draw tangent to specified point of measurement curve
- To draw regression line for specified region
- To display and select a line
- To display grid on the graph
- To change data variable on Graph
- To change range of X or Y axis scale
- To change variable assigned to X, Y1, or Y2 axis
- To overlay an internal memory measurement curve onto plotting area
- To scroll the LIST page
- To display or move marker on LIST page
- To change variables of LIST page

To Specify a Measurement Point on Curve

1. Select **MARKER/CURSOR** primary softkey.
2. Set **MARKER** secondary softkey to **ON**. Marker and marker coordinates are displayed. Selecting **MARKER** secondary softkey toggles between **ON** and **OFF**.
3. (if both Y1 and Y2 axis are set up) Select the desired marker (axis) by using **AXIS** primary softkey. The selected marker is highlighted. Selecting **AXIS** primary softkey toggles between Y1 and Y2.
4. Rotate the rotary knob to move the marker to desired measurement point.

If both Y1 and Y2 axis are set up, a circle marker (o) is displayed on measurement curve of Y1 axis, and an asterisk marker (*) is displayed on measurement curve of Y2 axis.

The **MARKER** coordinate fields indicate the location of markers. The first, second, and third fields are X, Y1, and Y2 coordinates, respectively. X and Y1 indicate location of marker on Y1 curve. X and Y2 indicate location of marker on Y2 curve.

To turn off markers.

Set **MARKER** secondary softkey to **OFF**.

To move marker to maximum or minimum value of measurement curve.

Select **MARKER MIN/MAX** secondary softkey. The marker searches for minimum or maximum value in measurement order from the present location every time you select the **MARKER MIN/MAX** secondary softkey.

To move marker to next VAR2 step or append curve.

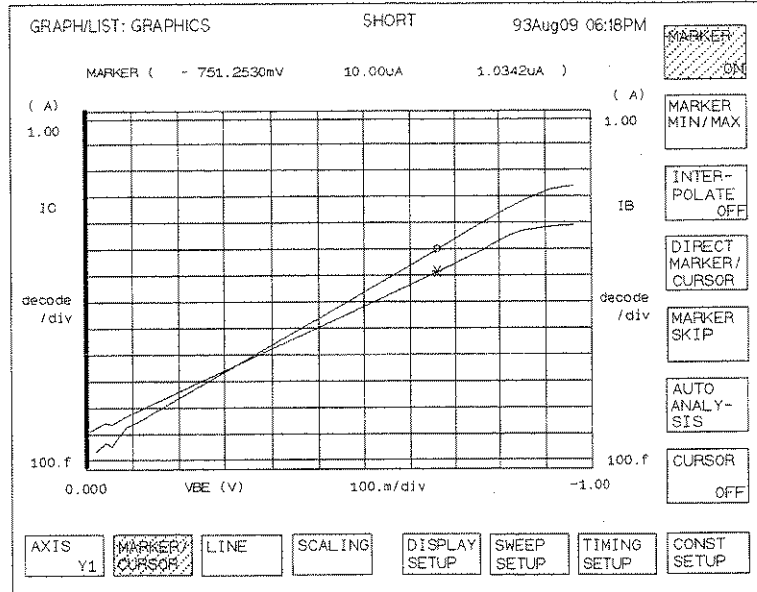
Select **MARKER SKIP** secondary softkey. Marker moves to next VAR2 step curve or next append curve every time you select **MARKER SKIP** secondary softkey.

To move marker fast.

Press **(Fast)** front-panel key of the **MARKER/CURSOR** key group while rotating rotary knob.

Example

The following figure shows an example to move marker to desired measurement point and to set the Y1 axis marker to active.



UGT02001

To Specify between Measurement Points on Curve

1. Select **MARKER/CURSOR** primary softkey.
2. Set **MARKER** secondary softkey to ON. Marker and marker coordinates are displayed. Selecting **MARKER** toggles between ON and OFF.
3. (if both Y1 and Y2 axis are set up) Select the desired marker (axis) by using **AXIS** primary softkey. The selected marker is highlighted. Selecting **AXIS** primary softkey toggles between Y1 and Y2.
4. Set **INTERPOLATE** secondary softkey to ON. Selecting **INTERPOLATE** secondary softkey toggles between ON and OFF.
5. Rotate rotary knob to move the marker to desired measurement point.

If both Y1 and Y2 axis are set up, a circle marker (o) is displayed on measurement curve of Y1 axis, and an asterisk marker (*) is displayed on measurement curve of Y2 axis.

The **MARKER** coordinate fields indicate the location of markers. The first, second, and third fields are X, Y1, and Y2 coordinates, respectively. X and Y1 indicate location of marker on Y1 curve. X and Y2 indicate location of marker on Y2 curve.

To turn off markers.

Set the **MARKER** secondary softkey to OFF.

To move marker to maximum or minimum value of measurement curve.

Select **MARKER MIN/MAX** secondary softkey. The marker searches for minimum or maximum value in measurement order from the present location every time you select the **MARKER MIN/MAX** secondary softkey.

To move marker to next VAR2 step or append curve.

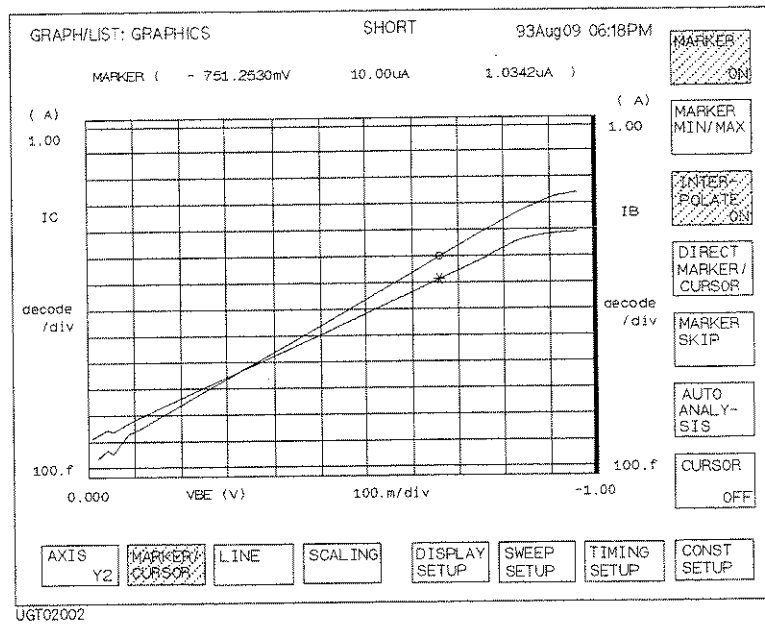
Select **MARKER SKIP** secondary softkey. Marker moves to next VAR2 step curve or next append curve every time you select **MARKER SKIP**.

To move marker fast.

Press **Fast** front-panel key of the MARKER/CURSOR key group while rotating rotary knob.

Example

The following figure shows an example to move marker to points between measurement points by setting **INTERPOLATE** softkey to ON.



To Display or Move Cursor

1. Select **MARKER/CURSOR** primary softkey.
2. Set **CURSOR** secondary softkey to **SHORT** or **LONG**. Short or long cursor and cursor coordinates are displayed. Selecting **CURSOR** secondary softkey toggles as follows:

OFF → SHORT → LONG → OFF

3. Move the cursor by using arrow keys of the **MARKER/CURSOR** key group.

The **CURSOR** coordinate fields indicate the location of cursor. The first, second, and third fields are X, Y1, and Y2 coordinates, respectively.

To move cursor diagonally.

Press two adjacent arrow keys of the **MARKER/CURSOR** key group simultaneously.

To turn off cursor.

Set **CURSOR** secondary softkey to **OFF**.

To move cursor fast.

Press arrow keys and **Fast** key of the **MARKER/CURSOR** key group simultaneously.

To Adjust Display Range to Measurement Curve Automatically

1. Select **SCALING** primary softkey.
2. (if both Y1 and Y2 axis are set up) Select desired measurement curve by using **AXIS** primary softkey.
3. Select **AUTO SCALING** secondary softkey. Scale is changed automatically to fit the selected measurement curve.

When you set VAR2 parameter, or when you perform append measurement, the scale is changed so that all measurement curves can be displayed.

To cancel auto scaling.

Select **CANCEL SCALING** secondary softkey.

To Zoom the Display Range

1. Position the cursor at the center of area that you want to zoom. (For details about displaying and moving cursor, see “To Display or Move Cursor”.)
2. Select **SCALING** primary softkey.
3. Select:
 - **ZOOM IN** secondary softkey to decrease the display range to half the present range.
 - **ZOOM OUT** secondary softkey to increase the display range to double the present range.

The display range is increased or decreased, and cursor is moved to the center of the plotting area.

If no cursor is displayed before step 3, performing step 3 displays a long cursor at the center of the plotting area, then zoom is performed.

To return to original scaling.

Select **CANCEL SCALING** secondary softkey.

To Center Display at Cursor Location

1. Position cursor at the point where you want to center the plotting area.
(For details about displaying and moving cursor, see "To Display or Move Cursor".)
2. Select **SCALING** primary softkey.
3. (if both Y1 and Y2 axis are set up) Select desired measurement curve by using **AXIS** primary softkey.
4. Select **CENTER AT CURSOR** secondary softkey. The plotting area is centered around the cursor location.

If no cursor is displayed before step 4, performing step 4 displays a long cursor at the center of the plotting area.

To return plotting area to original position.

Select **CANCEL SCALING** secondary softkey.

To Draw Line through Two Specified Points

1. Select **LINE** primary softkey.
2. Set **LINE SELECT** softkey to 1 or 2. Selecting this softkey toggles the setting.
3. Set **LINE** secondary softkey to **ON**. A line and two cursors are displayed. Selecting **LINE** secondary softkey toggles as follows:

OFF → ON → OFF

The line mode should be normal. So (**GRAD MODE**, **TANGENT MODE**, or **REGRESS MODE**) softkeys should not be highlighted. If one of these softkeys is highlighted, turn off by pressing the softkey.

4. Move cursors to desired locations by using arrow keys of the **MARKER/CURSOR** key group. To select the cursor you want to move, use the **SELECT CURSOR** secondary softkey.

If it seems that only one cursor is displayed, the cursors are at the same location.

When lines are displayed and when **ON** is set in the **LINE PARAMETER** field on the **DISPLAY: DISPLAY SETUP** page, their X and Y intercepts and gradients are also displayed in the plotting area.

To turn off the line intercept and gradient display.

Select **DISPLAY SETUP** primary softkey, then set **LINE PRMTRS** secondary softkey to **OFF**.

To turn off the data variable display area.

Use the following procedure:

1. Select **DISPLAY SETUP** primary softkey.
2. Set **DATA VAR** secondary softkey to **OFF**.

To move the selected cursor to the selected marker position.

Select **CURSOR TO MARKER** secondary softkey.

To Draw Line through Specified Point with Specified Gradient

1. Select **LINE** primary softkey.
2. Set **LINE SELECT** softkey to 1 or 2. Selecting this softkey toggles the setting.
3. Set **LINE** secondary softkey to ON. A line and two cursors are displayed. Selecting **LINE** secondary softkey toggles as follows:

OFF → ON → OFF
4. Select **GRAD MODE** secondary softkey if it is not highlighted. Softkey becomes highlighted. One cursor disappears (if there are two cursors in the plotting area before this step). Selecting **GRAD MODE** secondary softkey toggles between highlighted and not highlighted.
5. Move the cursor to desired location by using arrow keys of the MARKER/CURSOR key group.
6. Select **GRAD VALUE** secondary softkey, then enter gradient value. The line goes through the cursor with specified gradient.

When lines are displayed and when ON is set in the LINE PARAMETER field on the DISPLAY: DISPLAY SETUP page, the X and Y intercepts and gradients of selected line are also displayed in the plotting area.

To turn off the line intercept and gradient display.

Select **DISPLAY SETUP** primary softkey, then set **LINE PRMTRS** secondary softkey to OFF.

To turn off the data variable display area.

Use the following procedure:

1. Select **DISPLAY SETUP** primary softkey.
2. Set **DATA VAR** secondary softkey to OFF.

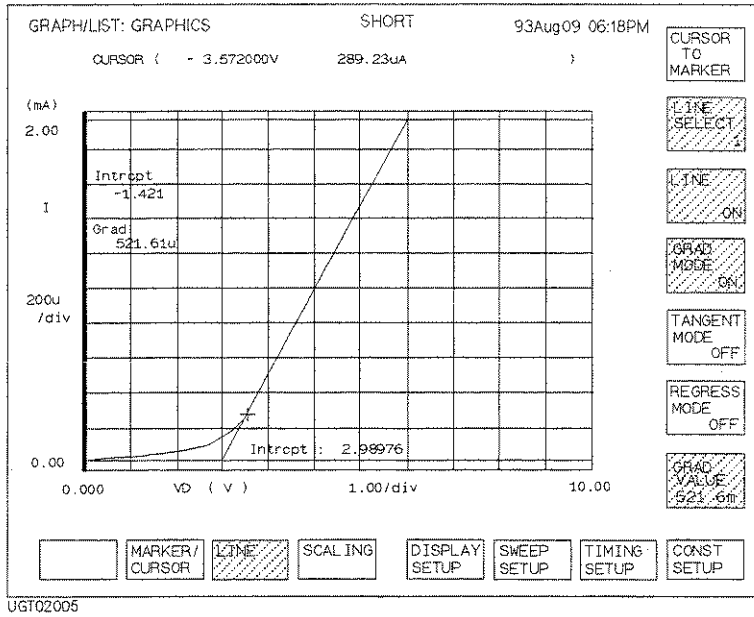
To move the selected cursor to the selected marker position.

Select **CURSOR TO MARKER** secondary softkey.

Analyzing Measurement Results
Manual Analysis

Example

The following figure shows an example to draw a line through specified point with specified gradient.



To Draw Tangent to Specified Point of Measurement Curve

1. Press **LINE** primary softkey.
2. Set **LINE SELECT** softkey to 1 or 2. Selecting this softkey toggles the setting.
3. Set **LINE** secondary softkey to ON. A line and two cursors are displayed. Selecting the **LINE** secondary softkey toggles as follows:
OFF → ON → OFF
4. Select **TANGENT MODE** secondary softkey if it is not highlighted. Softkey becomes highlighted. The cursors disappear and marker appears. Selecting **TANGENT MODE** toggles between highlighted and not highlighted.
5. Move marker to the desired measurement point by rotating rotary knob.

When lines are displayed and when ON is set in the LINE PARAMETER field on the DISPLAY: DISPLAY SETUP page, the X and Y intercepts and gradients of selected line are also displayed in the plotting area.

To move marker to next VAR2 or next append curve.

Select **MARKER SKIP** secondary softkey. Marker moves to next VAR2 step curve or next append curve every time you press **MARKER SKIP**.

To turn off the line intercept and gradient display.

Select **DISPLAY SETUP** primary softkey, then set **LINE PRMTRS** secondary softkey to OFF.

To turn off the data variable display area.

Use the following procedure:

1. Select **DISPLAY SETUP** primary softkey.
2. Set **DATA VAR** secondary softkey to OFF.

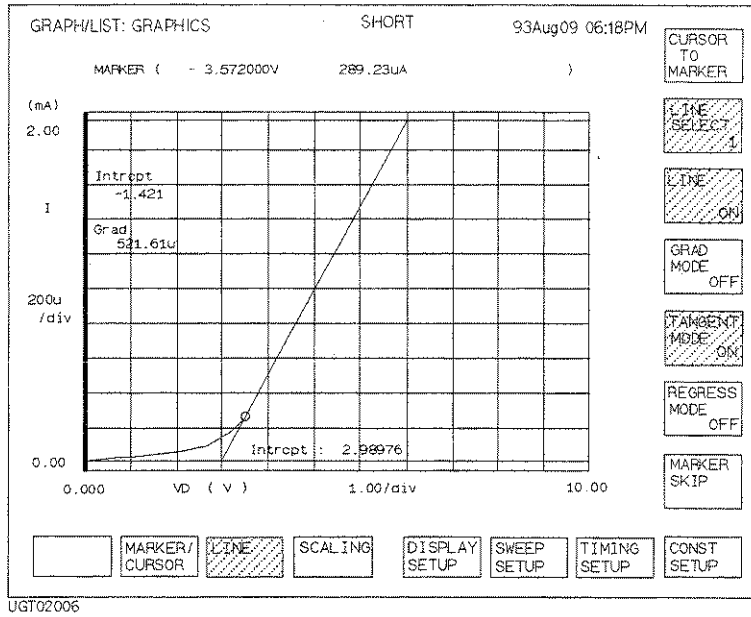
To move marker between two adjacent measurement points.

See "To Specify between Measurement Points on Curve".

Analyzing Measurement Results
Manual Analysis

Example

The following figure shows an example to draw a tangent to a specified measurement point.



To Draw Regression Line for Specified Region

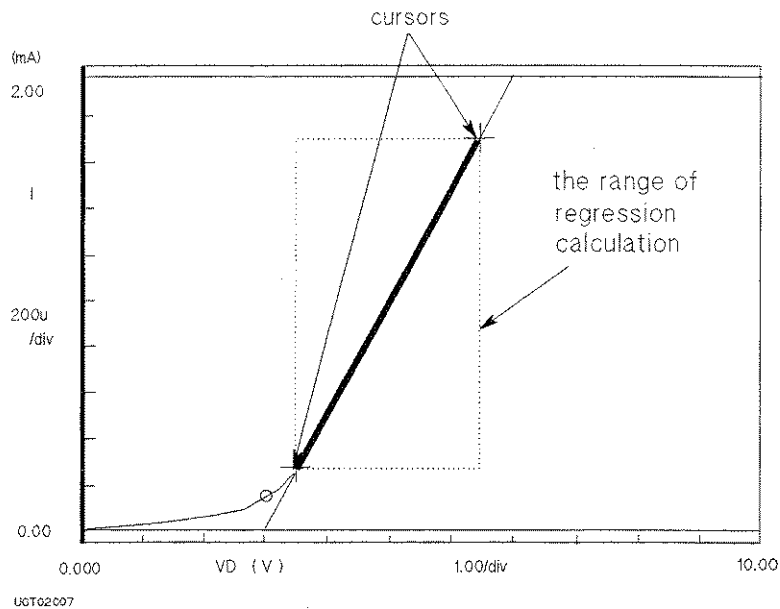
1. Select **MARKER/CURSOR** primary softkey, then set the **MARKER** secondary softkey to ON.
2. Select the desired axis for regression calculation by selecting **AXIS** primary softkey (if both Y1 and Y2 axis are set up). Then, if necessary, move marker to desired measurement curve by selecting **MARKER SKIP** secondary softkey.
3. Select **LINE** primary softkey.
4. Set **LINE SELECT** softkey to 1 or 2. Selecting this softkey toggles the setting.
5. Set **LINE** secondary softkey to ON. A line and two cursors are displayed. Selecting **LINE** secondary softkey toggles as follows:

OFF → ON → OFF
6. Select **REGRESS MODE** secondary softkey if it is not highlighted. Softkey becomes highlighted. Selecting **REGRESS MODE** secondary softkey toggles between highlighted and not highlighted.
7. Move cursors to specify range of regression calculation. (Use arrow keys of the **MARKER/CURSOR** key group to move cursors to desired location.)

To select the cursor you want to move, use the **SELECT CURSOR** secondary softkey.

The range used for calculating the regression line is defined by the position of the two cursors as shown in the following figure.

Analyzing Measurement Results
Manual Analysis



If it seems that only one cursor is displayed, the cursors are at the same location.

When regression lines are displayed and when **ON** is set in the **LINE PARAMETER** field on the **DISPLAY: DISPLAY SETUP** page, the X and Y intercepts and gradient of selected line are also displayed in the plotting area.

To turn off the line intercept and gradient display.

Select **DISPLAY SETUP** primary softkey, then set **LINE PRMTRS** secondary softkey to **OFF**.

To turn off the data variable display area.

Use the following procedure:

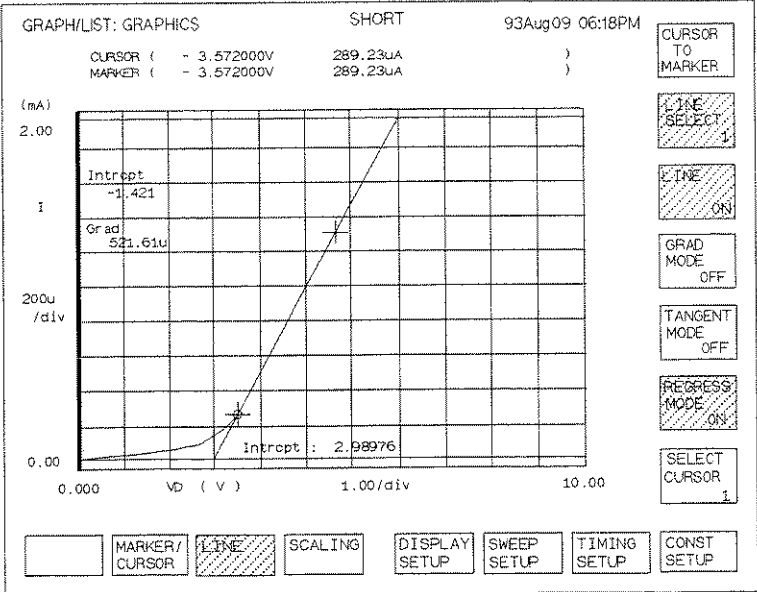
1. Select **DISPLAY SETUP** primary softkey.
2. Set **DATA VAR** secondary softkey to **OFF**.

To move selected cursor to the selected marker position.

Select **CURSOR TO MARKER** secondary softkey.

Example

The following figure shows an example to draw a regression line for the specified region.



UGT02008

To Display and Select a Line

1. Select **LINE** primary softkey.
2. Set **LINE SELECT** softkey to 1 or 2. Selecting this softkey toggles the setting.
3. Set **LINE** secondary softkey to **ON**. Selected line and two cursors are displayed. Selecting the **LINE** secondary softkey toggles as follows:

OFF → ON → OFF

To select line to analyze.

Set **LINE SELECT** secondary softkey to desired line (1 or 2). Selected line is highlighted.

Selecting **LINE SELECT** secondary softkey toggles as follows:

1 → 2 → NONE → 1

The following are independent for each line. So, changing the active line also changes the following:

- locations of marker and cursors
- X and Y intercepts and gradient

To Display Grid on the Graph

1. Select **DISPLAY SETUP** primary softkey.
2. Set **GRID** secondary softkey to **ON**. Grid is displayed. Selecting **GRID** secondary softkey toggles between **ON** and **OFF**.

To turn off grid.

Set **GRID** secondary softkey to **OFF**.

To Change Data Variable on Graph

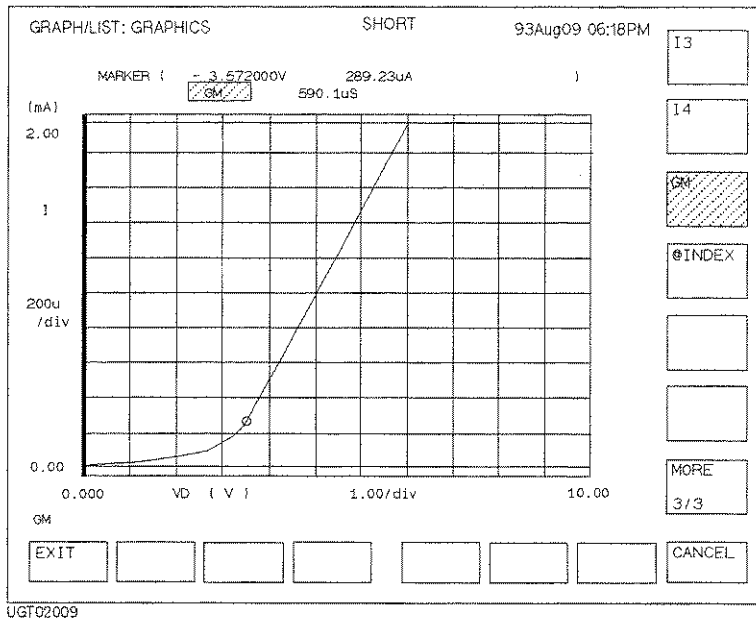
1. Select **DISPLAY SETUP** primary softkey.
2. Select **RE-SETUP GRAPH** secondary softkey.
3. Move the pointer to desired data variable field by using the arrow keys, then select secondary softkey to enter the desired variable name.
4. Select **EXIT** primary softkey to exit the RE-SETUP GRAPH mode.

To exit without changing data variable.

Select **CANCEL** primary softkey.

Example

The following figure shows an example setup to change the data variable to be displayed.



To Change Range of X or Y Axis Scale

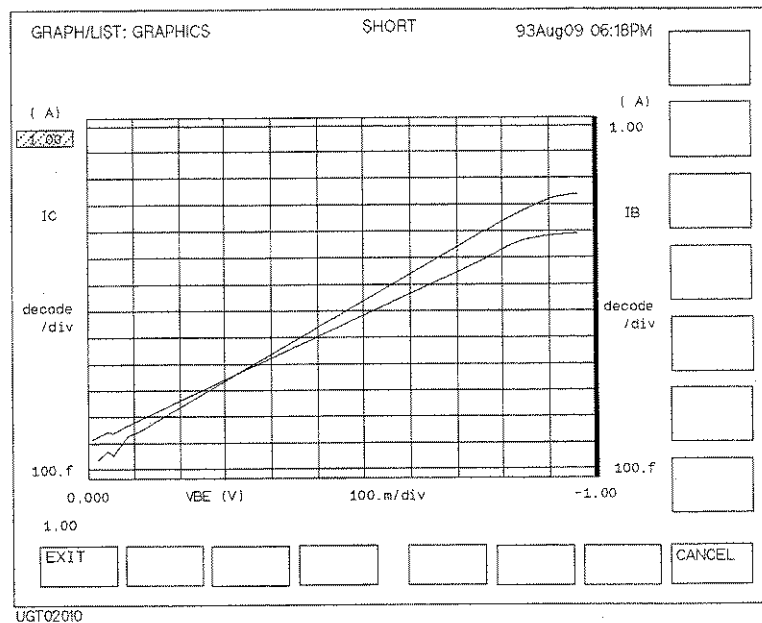
1. Select **DISPLAY SETUP** primary softkey.
2. Select **RE-SETUP GRAPH** secondary softkey.
3. Move pointer to maximum or minimum value field of X or Y axis scale by using the arrow keys, then edit the setup value by using ENTRY keys or rotary knob.
4. Select **EXIT** primary softkey to exit RE-SETUP GRAPH mode.

To exit without changing range of X or Y axis scale.

Select **CANCEL** primary softkey.

Example

The following figure shows an example setup to change maximum value of Y1 axis.



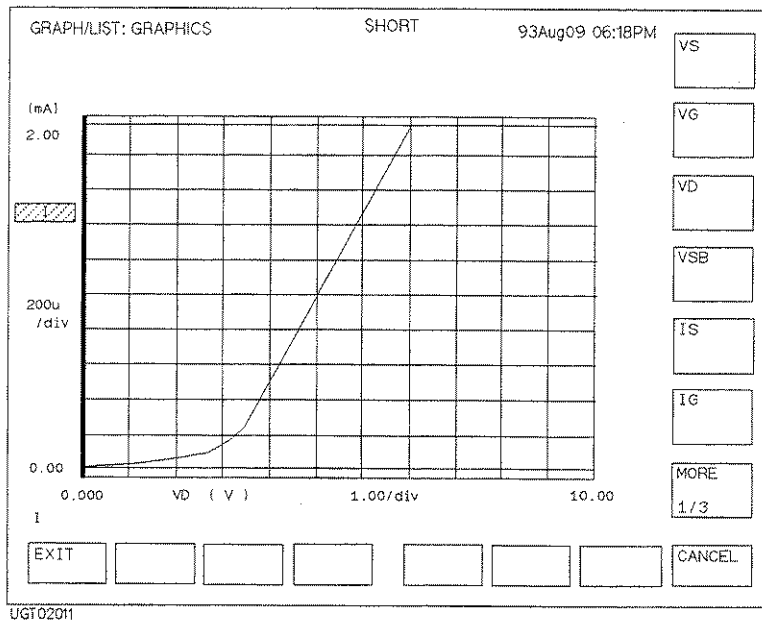
To Change Variable Assigned to X, Y1, or Y2 Axis

1. Select **DISPLAY SETUP** primary softkey.
2. Select **RE-SETUP GRAPH** secondary softkey.
3. Move pointer to variable field of X, Y1, or Y2 axis by using arrow keys, then select secondary softkey to set the desired variable.
4. Select **EXIT** primary softkey to exit RE-SETUP GRAPH mode.

To exit without changing variable assigned to X, Y1, or Y2 axis.
Select **CANCEL** primary softkey.

Example

The following figure shows an example setup to change the variable that is assigned to Y1 axis.



To Overlay an Internal Memory Measurement Curve onto Plotting Area

This section explains how to overlay a measurement curve (that was stored into an internal memory) onto plotting area. To store a measurement curve into an internal memory, refer to “To Store Setup or Result Data into Internal Memory” in Chapter 5.

1. Select **DISPLAY SETUP** primary softkey.
2. Set **OVERLAY PLANE** secondary softkey to the desired memory number. Selected measurement curve is overlaid onto plotting area. Selecting **OVERLAY PLANE** secondary softkey toggles as follows:

OFF → 1 → 2 → 3 → 4 → OFF

To display information of overlay measurement curve.

Select **SHOW OVERLAY INFO** secondary softkey. The following information of overlay measurement curve overwrites the information of the present curve.

- axis names and axis scales
- cursor and marker coordinates
- data variables

To display information of original curve again, select the **EXIT** primary softkey.

To change the present scale to the same scale as overlay curve.

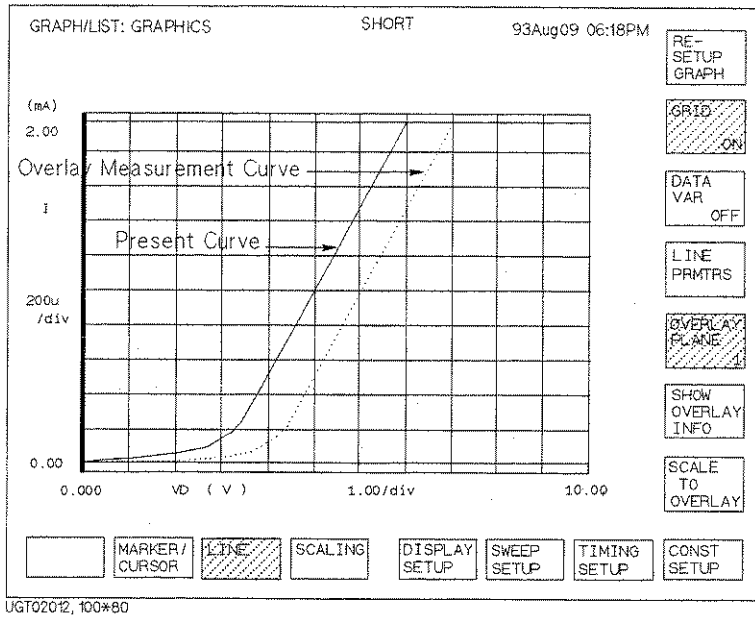
Select **SCALE TO OVERLAY** secondary softkey.

To return to the original scale, you need to select **SCALING** primary softkey, then select **CANCEL SCALING** secondary softkey.

Analyzing Measurement Results
Manual Analysis

Example

The following figure shows an example to overlay a measurement curve (that is stored in internal memory 1) onto the presently displayed measurement curve.



To Scroll the LIST Page

- Press an arrow key of the MARKER/CURSOR key group. List scrolls in direction of selected arrow.

List can be scrolled even while performing measurements.

When marker is displayed, marker does not move during scrolling.

To scroll list fast.

Press **(Fast)** key of the MARKER/CURSOR key group while pressing an arrow key of the MARKER/CURSOR key group.

To Display or Move Marker on LIST Page

1. Select **MARKER** primary softkey.
2. Set **MARKER** secondary softkey to **ON**. The marker is displayed. Selecting **MARKER** secondary softkey toggles between **ON** and **OFF**.
3. Rotate rotary knob to move the marker to desired measurement point.

To turn off marker.

Set **MARKER** secondary softkey to **OFF**.

To move marker to next VAR2 step.

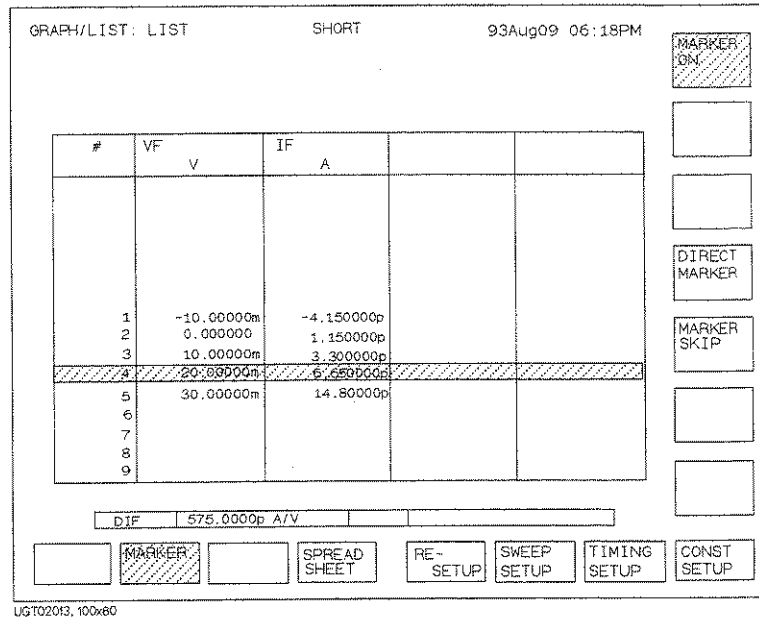
Select **MARKER SKIP** secondary softkey. Marker moves to next VAR2 step data or next append data every time you select **MARKER SKIP** secondary softkey.

To move marker to next append data.

Select **NEXT APPEND** secondary softkey. Marker moves to next append data every time you select **NEXT APPEND** secondary softkey.

Example

The following figure shows an example to display marker.



To Change Variables of LIST page

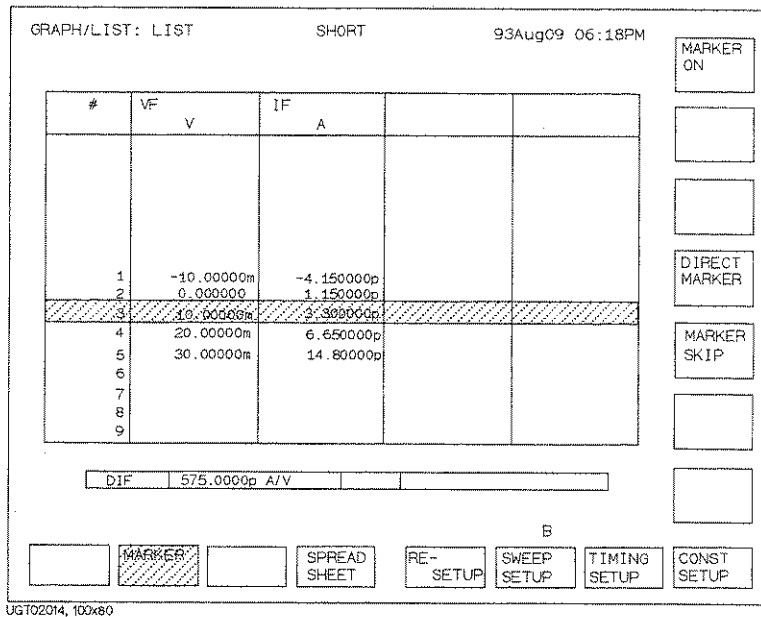
1. Select **RE-SETUP** primary softkey.
2. Move pointer to desired column variable or data variable field by using arrow keys, then select secondary softkey of desired variable.
3. Select **EXIT** primary softkey to exit RE-SETUP LIST mode.

To exit without changing LIST variables.

Select **CANCEL** primary softkey.

Example

The following figure shows an example to change the LIST variables.



Automatic Analysis

You set up automatic analysis before the measurement by using the DISPLAY: ANALYSIS SETUP page. Then, after measurement is performed, the marker and lines are automatically positioned according to automatic analysis setup.

This section covers the following automatic analysis tasks:

- To draw line by specifying two points
- To draw line by specifying gradient and one point
- To draw tangent to specified measurement point
- To draw regression line by specifying two points
- To display marker at specified point

To Draw Line by Specifying Two Points

1. Press **Display** front-panel key.
2. Confirm that **ON** is set on the **LINE** *secondary* softkey on the GRAPH/LIST: GRAPHICS page.
3. Select **ANALYSIS SETUP** primary softkey. The DISPLAY: ANALYSIS SETUP page is displayed.
4. In field (1), select **NORMAL** *secondary* softkey.
5. In field (2), select *secondary* softkey to specify desired axis.
6. In field (3), select:
 - **BY X-Y COORDINATE** *secondary* softkey to specify a point by X-Y coordinate mode. (Go to step 6.)
 - **BY DATA CONDITION** *secondary* softkey to specify a point by data condition mode. (Go to step 7.)
7. If you selected **BY X-Y COORDINATE** *secondary* softkey:
 - a. In the X field, enter desired expression to specify X coordinate.
 - b. In the Y field, enter desired expression to specify Y coordinate.
 - c. Go to step 8.
8. If you selected **BY DATA CONDITION** *secondary* softkey:
 - a. In field (4), select *secondary* softkey to set desired data variable name.
 - b. In field (5), enter desired expression.
 - c. In field (6), select:
 - **AFTER** *secondary* softkey if you want to set a search start condition for finding specified point.
 - **DISABLE** *secondary* softkey to disable (clear) the **AFTER** settings.
 - d. If you selected **AFTER**, select *secondary* softkey to enter desired data variable in field (7).
 - e. If you selected **AFTER**, enter desired expression in field (8).
9. Specify the other point by step 5, then step 6 or 7.

Data condition mode specifies a point related to the measurement curve. So, if no measurement data satisfy the specified condition, the nearest measurement point is used.

For the meaning of expression that you can enter in step 6 or 7, see "Expression" in "Data Variable and Analysis Function" in *HP 4155A/4156A User's Dictionary Reference*.

To specify a point between two measurement points.

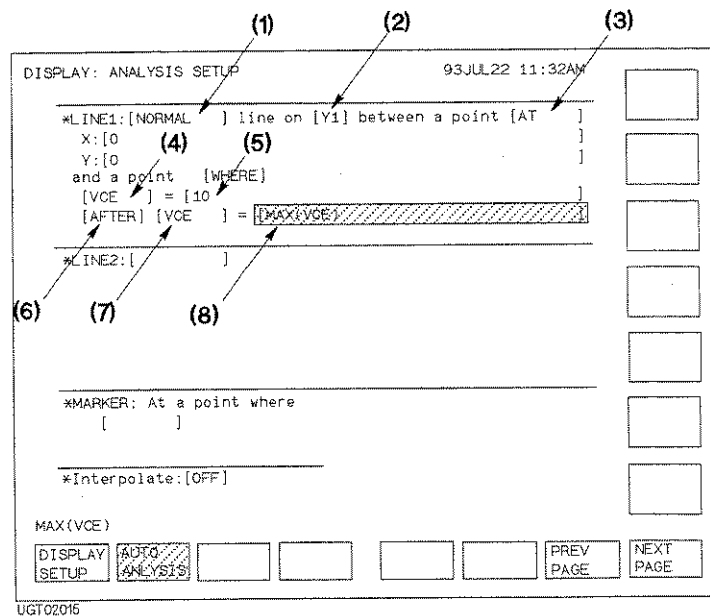
Set Interpolate field to ON.

To disable (clear) the settings.

Move the pointer to field (1), then select **DISABLE** secondary softkey. Setup fields disappear.

Example

The following figure shows an example setup to automatically draw a line through two specified points. One point is specified by X-Y coordinate mode and other point is specified by data condition mode.



To Draw Line by Specifying Gradient and One Point

1. Press **Display** front-panel key.
2. Confirm that **ON** is set on the **LINE** secondary softkey on the GRAPH/LIST: GRAPHICS page.
3. Select **ANLYSIS SETUP** primary softkey. The DISPLAY: ANALYSIS SETUP page is displayed.
4. In field (1), select **GRAD** secondary softkey.
5. In field (2), select secondary softkey to specify desired axis.
6. In field (3), select:
 - **BY X-Y COORDINATE** secondary softkey to specify a point by X-Y coordinate mode. (Go to step 6.)
 - **BY DATA CONDITION** secondary softkey to specify a point by data condition mode. (Go to step 7.)
7. If you selected **BY X-Y COORDINATE** secondary softkey:
 - a. In the X field, enter desired expression to specify X coordinate.
 - b. In the Y field, enter desired expression to specify Y coordinate.
 - c. Go to step 8.
8. If you selected **BY DATA CONDITION** secondary softkey:
 - a. In field (4), select secondary softkey to set desired data variable name.
 - b. In field (5), enter desired expression.
 - c. In field (6), select:
 - **AFTER** secondary softkey if you want to set a search start condition for finding specified point.
 - **DISABLE** secondary softkey to disable (clear) the **AFTER** settings.
 - d. If you selected **AFTER**, select secondary softkey to enter desired data variable in field (7).
 - e. If you selected **AFTER**, enter desired expression in field (8).
9. In the Gradient field, enter gradient expression.

Data condition mode specifies a point related to the measurement curve. So, if no measurement data satisfy the specified condition, the nearest measurement point is used.

For the meaning of expression that you can enter in step 6 or 7, see "Expression" in "Data Variable and Analysis Function" in *HP 4155A/4156A User's Dictionary Reference*.

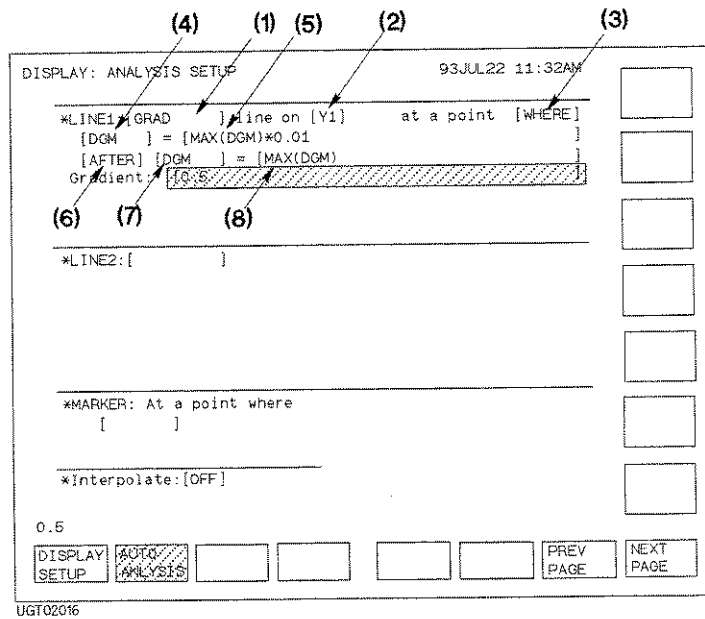
To specify a point between two measurement points.
 Set Interpolate field to ON.

To disable (clear) the settings.

Move the pointer to field (1), then select **DISABLE** secondary softkey. Setup fields disappear.

Example

The following figure shows an example setup to automatically draw a line through the specified point with the specified gradient.



To Draw Tangent to Specified Measurement Point

1. Press **Display** front-panel key.
2. Confirm that **ON** is set on the **LINE** secondary softkey on the GRAPH/LIST: GRAPHICS page.
3. Select **ANALYSIS SETUP** primary softkey. The DISPLAY: ANALYSIS SETUP page is displayed.
4. In field (1), select **TANGENT** secondary softkey.
5. In field (2), select secondary softkey to specify desired axis.
6. In field (3), select secondary softkey to select desired data variable name.
7. In field (4), enter desired expression.
8. In field (5), select:
 - **AFTER** secondary softkey if you want to set a search start condition for finding specified point.
 - **DISABLE** secondary softkey to disable (clear) the **AFTER** settings.
9. If you selected **AFTER**, select secondary softkey to enter desired data variable in field (6).
10. If you selected **AFTER**, enter desired expression in field (7).

Data condition mode specifies a point related to the measurement curve. So, if no measurement data satisfy the specified condition, the nearest measurement point is used.

For the meaning of expression that you can enter in step 6 and 9, see "Expression" in "Data Variable and Analysis Function" in *HP 4155A/4156A User's Dictionary Reference*.

To specify a point between two measurement points.

Set Interpolate field to **ON**.

To disable (clear) the settings.

Move the pointer to field (1), then select **DISABLE** secondary softkey. Setup fields disappear.

Example

The following figure shows an example setup to automatically draw a tangent line to a specified measurement point.

The screenshot shows a terminal window titled "DISPLAY: ANALYSIS SETUP" with a timestamp of "93JUL22 11:32AM". The main configuration area contains the following text:

```
*LINE: [TANGENT] line on [Y1] at a point where
[DGM ] = [MAX(DGM)*0.01]
[AFTER] [DGM ] = [MAX(DGM)]
```

Numbered callouts point to the following elements:

- (1) points to the word "TANGENT".
- (2) points to the text "line on [Y1]".
- (3) points to the text "at a point where".
- (4) points to the expression "[MAX(DGM)*0.01]".
- (5) points to the text "[AFTER]".
- (6) points to the text "[DGM]".
- (7) points to the expression "[MAX(DGM)]".

Below the main configuration, there are several other fields and buttons:

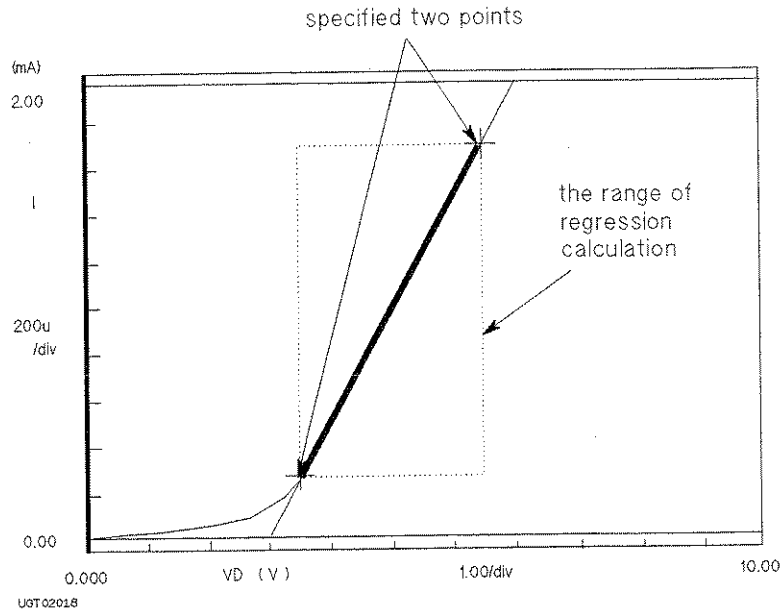
- *LINE2: []
- *MARKER: At a point where []
- *Interpolate: [OFF]
- MAX(DGM)
- Buttons: DISPLAY SETUP, AUTO ANALYSIS, PREVIOUS PAGE, NEXT PAGE.

At the bottom left of the terminal window, the text "UGT02017" is visible.

To Draw Regression Line by Specifying Two Points

1. Press **Display** front-panel key.
2. Confirm that **ON** is set on the **LINE** secondary softkey on the GRAPH/LIST: GRAPHICS page.
3. Select **ANLYSIS SETUP** primary softkey. The DISPLAY: ANALYSIS SETUP page is displayed.
4. In field (1), select **REGRESSION** secondary softkey.
5. In field (2), select secondary softkey to specify desired axis.
6. In field (3), select:
 - **BY X-Y COORDINATE** secondary softkey to specify a point by X-Y coordinate mode. (Go to step 6.)
 - **BY DATA CONDITION** secondary softkey to specify a point by data condition mode. (Go to step 7.)
7. If you selected **BY X-Y COORDINATE** secondary softkey:
 - a. In the X field, enter desired expression to specify X coordinate.
 - b. In the Y field, enter desired expression to specify Y coordinate.
 - c. Go to step 8.
8. If you selected **BY DATA CONDITION** secondary softkey:
 - a. In field (4), select secondary softkey to set desired data variable name.
 - b. In field (5), enter desired expression.
 - c. In field (6), select:
 - **AFTER** secondary softkey if you want to set a search start condition for finding specified point.
 - **DISABLE** secondary softkey to disable (clear) the AFTER settings.
 - d. If you selected **AFTER**, select secondary softkey to enter desired data variable in field (7).
 - e. If you selected **AFTER**, enter desired expression in field (8).
9. Specify the other point by step 5, then step 6 or 7.

Regression calculation is performed in the range defined by the two specified points as shown in the following figure.



Data condition mode specifies a point related to the measurement curve. So, if no measurement data satisfy the specified condition, the nearest measurement point is used.

For the meaning of expression that you can enter in step 6 and 7, see "Expression" in "Data Variable and Analysis Function" in *HP 4155A/4156A User's Dictionary Reference*.

To specify a point between two measurement points.

Set Interpolate field to ON.

To disable (clear) the settings.

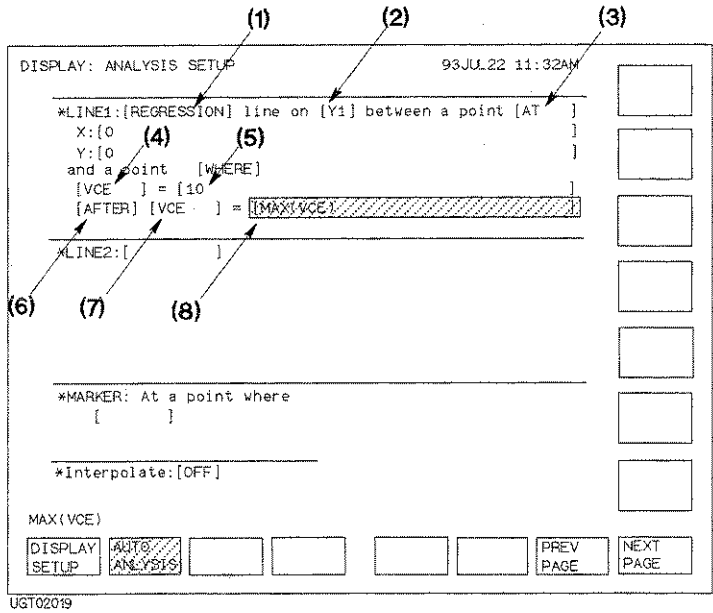
Move the pointer to field (1), then select **DISABLE** secondary softkey. Setup fields disappear.

Analyzing Measurement Results

Automatic Analysis

Example

The following figure shows an example setup to automatically draw a regression line. The range for the regression calculation is specified by two points. One point is specified by X-Y coordinate mode and other point is specified by data condition mode.



To Display Marker at Specified Point

1. Press **Display** front-panel key.
2. Select **ANLYSIS SETUP** primary softkey. The DISPLAY: ANALYSIS SETUP page is displayed.
3. Move pointer to field (1), then select secondary softkey to set desired data variable name.
4. In field (2), enter desired expression.
5. In field (3), select:
 - **AFTER** secondary softkey if you want to set a search start condition for finding specified point.
 - **DISABLE** secondary softkey to disable (clear) the **AFTER** settings.
6. If you selected **AFTER** in field (4), select secondary softkey to set desired data variable.
7. If you selected **AFTER** in field (5), enter desired expression.

The marker can be displayed on the measurement curve only. So, if no measurement data satisfy the specified condition, the nearest measurement point is used.

For the meaning of expression that you can enter in step 4 and 7, see "Expression" in "Data Variable and Analysis Function" in *HP 4155A/4156A User's Dictionary Reference*.

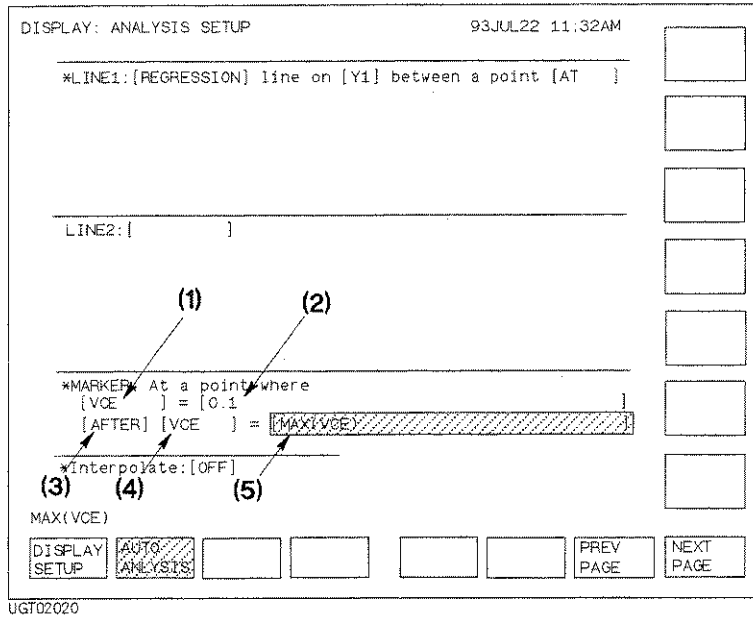
To specify a point between two measurement points.

Set Interpolate field to ON.

Analyzing Measurement Results
Automatic Analysis

Example

The following figure shows an example setup to automatically display marker at specified point.



Filer

Filer

HP 4155A/4156A has file, print, and plot functions. The information about these functions is organized into the following two sections:

- File Operation
- Hardcopy

File Operations

This section covers the following file operation tasks:

- To list file names stored on diskette
- To store setup or result data onto diskette
- To store setup or result data into internal memory
- To store result data in spreadsheet format
- To load setup or result data from diskette
- To load setup or result data from internal memory
- To rename a file on diskette
- To remove a file from diskette
- To copy file on diskette to another diskette
- To copy setup or result data from internal memory to diskette
- To initialize a diskette
- To backup a diskette

You can use these file operations on internal memory and disk memory of HP 4155A/4156A.

You can perform file operations as follows:

- Selecting softkeys on the SYSTEM: FILER page. *All* file operations can be performed.
- Selecting the front-panel keys ((Get) and (Save)) of the User File key group. *Only* store and load file operations can be performed.

Filer

File Operations

SYSTEM: FILER page.

All file operations can be performed by selecting the secondary softkeys on the SYSTEM: FILER page. The SYSTEM: FILER page is displayed by pressing

System front-panel key, then selecting **FILER** primary softkey.

On SYSTEM: FILER page, you *cannot* enter lowercase characters for file names. If you do, an error occurs. Following figure shows SYSTEM: FILER page.

SYSTEM: FILER 92APRO: 02:30PM

FILE CATALOG

FORMAT: DOS VOLUME: HP4156 USED= 345 AVAIL= 1143

FILE NAME	SIZE[byte]	DATE	TIME	[COMMENT]
SYS1 .CST	234	92-09-21	12:10	1234567890123456
CMOS1234.PRO	1234	92-09-22	14:00	sample 1
CMOS1234.DAT	123456	92-09-22	16:23	channel-length 1
B2345678.PRO	1234	92-09-23	10:33	sample 2
B2345678.DAT	123466	92-09-23	11:10	anneal 1
PROG1	2345	92-09-23	14:52	sample 3

(1)

FUNCTION: (2)

(3)

FILE CATALOG SAVE GET PURGE RENAME COPY DISK OPERATION

FILER MISCEL- LANEOUS CONFIG CALIB/ DIAG PRINT SETUP COLOR SETUP

UGT03001

The SYSTEM: FILER page has the following areas:

- (1) FILE CATALOG area
Lists names of files stored on diskette and other information.
- (2) FUNCTION field
Displays the file function selected by secondary softkey.
- (3) FUNCTION setup area
Displays the setup fields for the selected file function.

Front panel keys of User File key group.

You can also perform the store operation by selecting the **Save** key. And can perform the load function by selecting the **Get** key.

To List File Names Stored on Diskette

1. Insert a diskette into flexible disk drive.
2. Press **System** front-panel key.
3. Select **FILER** primary softkey to display the SYSTEM: FILER page.
4. Select **FILE CATALOG** secondary softkey. File names are listed in the FILE CATALOG area.

For details about information displayed in the FILE CATALOG area, refer to "SYSTEM: FILER page" in "Page Organization" of *HP 4155A/4156A User's Dictionary Reference*.

To move the pointer in the FILE CATALOG area, rotate the rotary knob. If all the file names cannot be displayed in the FILE CATALOG area, you can scroll the file names by rotating the rotary knob.

To display file comments.

Select one of the following:

- For selected file: select **READ COMMENT** secondary softkey.
- For all files: select **READ COMMENT ALL** secondary softkey.

To exit file catalog.

Select **EXIT FILE CATALOG** secondary softkey.

To search for a desired file name.

Enter an alphanumeric character. Field pointer moves to first file name that starts with entered character.

Filer
File Operations

Example

The following figure shows example that displays file catalog.

SYSTEM: FILER 92APR0: 02:30PM

FILE CATALOG

FORMAT:DOS VOLUME: HP4155 USED= 345 AVAIL= 1143

FILE NAME	SIZE[byte]	DATE	TIME	[COMMENT]
SYS: /CSY /234 /92-09-21 /12:10 /1234567890123456				
CMOS1234.PRO	1234	92-09-22	14:00	sample 1
CMOS1234.DAT	123456	92-09-22	16:23	channel-length 1
B2345678.PRO	1234	92-09-23	10:33	sample 2
B2345678.DAT	123456	92-09-23	11:10	anneal 1
PROG1	2345	92-09-23	14:52	sample 3

FUNCTION: 1/6

FILE CATALOG
EXIT FILE CATALOG
READ COMMENT
READ COMMENT ALL

FILER MISCEL-LANEOUS CONFIG CALIB/DIAG PRINT SETUP COLOR SETUP

UGT03002

To Store Setup or Result Data onto Diskette

1. Insert a diskette into flexible disk drive.
2. Press **Save** front-panel key to display SAVE setup fields. Or press the **System** front-panel key, select **FILER** primary softkey, then select the **SAVE** secondary softkey.
3. In the NAME field, enter the file name in which you want to store data:
 - maximum characters for HP LIF file: 6 (You cannot set “_” for the last character.)
 - maximum characters for DOS file: 8
4. In the TYPE field, select:
 - **MES** secondary softkey for measurement setup data.
 - **STR** secondary softkey for stress setup data.
 - **DAT** secondary softkey for measurement setup and result data.
 - **CST** secondary softkey for customized system data.
5. (Optional) In COMMENT field, enter a comment. Maximum characters: 16
The specified comment will be displayed in the COMMENT field of the FILE CATALOG area.
6. Select **EXECUTE** primary softkey. Specified data is saved to diskette.
7. Select **EXIT** primary softkey to exit SAVE function.

To list file names on diskette.

Select **FILE CATALOG** secondary softkey. You can fill in the NAME and TYPE fields by rotating the rotary knob to move to the desired file name, then selecting the **SELECT** softkey.

Filer

File Operations

Example

The following figure shows an example that stores the present measurement setup data onto a diskette.

FUNCTION: SAVE

NAME	<input type="text" value="MOS1"/>	TYPE	<input type="text" value="MES"/>	COMMENT	<input type="text" value="channel len 1"/>
------	-----------------------------------	------	----------------------------------	---------	--

UGT03003

Situations when you Cannot Store Files

front-panel key is available from any page. However, pressing is ignored for the following conditions:

- during measurement or forcing stress
- when error message is displayed
- when the PRINT/PLOT setup area is displayed by front-panel key
- when the HELP page is displayed
- when the KNOB SWEEP page is displayed

To Store Setup or Result Data into Internal Memory

1. Press **Save** front-panel key to display SAVE setup fields. Or press **System** front-panel key, select **FILER** primary softkey, then select **SAVE** secondary softkey.
2. In the NAME field, select secondary softkey for the memory to which you want to store data.
3. In the TYPE field, select:
 - **MES** secondary softkey to store measurement setup data
 - **STR** secondary softkey to store stress setup data
 - **DAT** secondary softkey to store measurement setup and result data
4. (Optional) In COMMENT field, enter a comment. Maximum characters: 16
The specified comment will be displayed on the label (2nd and 3rd lines) of secondary softkey for internal memory.
5. Select **EXECUTE** primary softkey. The specified data is stored into the internal memory. If any data is presently stored in the internal memory, the data will be lost.
6. Select **EXIT** primary softkey to exit SAVE function.

Filer

File Operations

Example

The following figure shows an example that stores the present measurement setup and result data into internal memory.

FUNCTION: SAVE

NAME	MEM <input type="text" value="1"/>	TYPE <input type="text" value="DAT"/>	COMMENT <input type="text" value="Anneal 1"/>
------	------------------------------------	---------------------------------------	---

UGT03004

Situations when you Cannot Store Files

front-panel key is available from any page. However, pressing is ignored for the following conditions:

- during measurement or forcing stress
- when error message is displayed
- when the PRINT/PLOT setup area is displayed by front-panel key
- when the HELP page is displayed
- when the KNOB SWEEP page is displayed

To Store Result Data in Spreadsheet Format

1. Insert a diskette into flexible disk drive.
2. Display result data on the GRAPH/LIST: LIST page.

To display GRAPH/LIST: LIST page, press **Graph/List** front-panel key.
If displayed page is GRAPH/LIST: GRAPHICS page, press **Graph/List** front-panel key again to display GRAPH/LIST: LIST page.
3. Select **SPREAD SHEET** softkey to display ASCII SAVE setup window.
4. In NAME field, enter name of file (without extension) in which you want to save data.
5. In OUTPUT DATA field, enter the range of result data you want to save (corresponds to NO. column of LIST page).
 - left field: upper limit
 - right field: lower limitSelect **ALL** secondary softkey to specify all result data.
6. In UNIT field, select:
 - **ON** secondary softkey to save units (such as V or ms) with result data.
 - **OFF** secondary softkey to not save units.If UNIT is ON, result data will be treated as string data, not numeric data. Ineffective value (----) is treated as string, even if you set this field to OFF.
7. In the DELIMITER field, select:
 - **SPACE** softkey to specify space to be data delimiter.
 - **TAB** softkey to specify tab to be data delimiter.
 - **COMMA** softkey to specify comma to be data delimiter.

Filer
File Operations

8. In the STRING MARK field, select:
 - **NONE** softkey to specify no string marker.
 - **" "** softkey to specify " " to be string marker.
 - **' '** softkey to specify ' ' to be string marker.
9. Select **EXECUTE** primary softkey. The result data is saved to specified file, and .TXT extension is automatically added.
10. Select **EXIT** primary softkey to exit ASCII SAVE window.

To list file names on diskette.

Select **FILE CATALOG** secondary softkey.

For details about output format, see "GRAPH/LIST: LIST page" in *HP 4155A/4156A User's Dictionary Reference*.

Example 1

The following figure shows example setup to save result data in a format that can be used in Lotus 1-2-3®.

FUNCTION :ASCII SAVE

NAME	MOS1	UNIT	OFF
OUTPUT DATA (INDEX NO)	1 <--> MAX	DELIMITER	COMMA
		STRING MARK	. .

UGT03024, 120x40

Example 2

The following figure shows example setup to save result data in a format that can be used in Microsoft® Excel®.

FUNCTION :ASCII SAVE

NAME	MOS1	UNIT	OFF
OUTPUT DATA (INDEX NO)	1 <--> MAX	DELIMITER	TAB
		STRING MARK	NONE

UGT03025, 120x40

To Load Setup or Result Data from Diskette

1. Insert a diskette into flexible disk drive.
2. Press **Get** front-panel key to display GET setup fields. Or press **System** front-panel key, select the **FILER** primary softkey, then select **GET** secondary softkey.
3. Select **FILE CATALOG** secondary softkey.
4. Move the pointer to the desired file name by using rotary knob.
5. Select **SELECT** secondary softkey. This sets the NAME and TYPE entries.
6. Select **EXECUTE** primary softkey. The specified file is loaded.
7. Select **EXIT** primary softkey to exit GET function.

See following page for what occurs if setup file does not match present configuration:

If Setup File does not Match Present Configuration

If the measurement unit configuration of setup file on diskette differs from configuration of present system, HP 4155A/4156A may change automatically the setup values when loading the setup file. Refer to the following conditions:

- When source file setup has HPSMU, but present system has HRSMU or MPSMU instead:

Measurement Range

Setup file	Changes to
200 V	100 V
1 A	100 mA

- When source file setup has HRSMU, but present system has HPSMU or MPSMU instead:

Measurement Range

Setup file	Changes to
10 pA	1 nA
100 pA	1 nA

Example

The following figure shows an example that loads measurement setup and result data from a diskette.

SYSTEM: FILER 92APR0: 02:30PM

FILE CATALOG

FORMAT:DOS VOLUME: HP4155 USED= 345 AVAIL= 1143

FILE NAME	SIZE[byte]	DATE	TIME	[COMMENT]
SYS1 .CST	234	92-09-21	12:10	1234567890123456
CMOS1234.PRO	1234	92-09-22	14:00	sample 1
MOS1.DAT	123456	92-09-22	16:29	channel-160926.1
B2345678.PRO	1234	92-09-23	10:33	sample 2
B2345678.DAT	123456	92-09-23	11:10	anneal 1
PROG1	2345	92-09-23	14:52	sample 3

FUNCTION: GET 3/6

NAME TYPE

EXECUTE

FILE CATALOG
EXIT FILE CATALOG
SELECT
READ COMMENT
EXIT

UGT03006

Situations when you Cannot Get Files

Get front-panel key is available from any page. However, pressing **Get** is ignored for the following conditions:

- during measurement or forcing stress
- when error message is displayed
- when the PRINT/PLOT setup area is displayed by **Plot/Print** front-panel key
- when the HELP page is displayed
- when the KNOB SWEEP page is displayed

To Load Setup or Result Data from Internal Memory

1. Press **Get** front-panel key to display GET setup fields. Or press **System** front-panel key, select **FILER** primary softkey, then select **GET** secondary softkey.
2. In the NAME field, select secondary softkey for desired memory. This sets the NAME entry.
3. Select **EXECUTE** primary softkey. Data from the specified memory is loaded.
4. Select **EXIT** primary softkey to exit GET function.

Example

The following figure shows an example that loads data from an internal memory.

FUNCTION: GET

NAME	MEM	1
------	-----	---

UGT03006

Situations when you Cannot Get Files

Get front-panel key is available from any page. However, pressing **Get** is ignored for the following conditions:

- during measurement or forcing stress
- when error message is displayed
- when the PRINT/PLOT setup area is displayed by **Plot/Print** front-panel key
- when the HELP page is displayed
- when the KNOB SWEEP page is displayed

To Rename a File on Diskette

1. Insert a diskette into flexible disk drive.
2. Press **System** front-panel key.
3. Select **FILER** primary softkey to display the SYSTEM: FILER page.
4. Select **RENAME** secondary softkey to display RENAME setup fields.
5. Select **FILE CATALOG** secondary softkey.
6. Move the pointer to the file name to be changed by using rotary knob, then select **SELECT SOURCE** secondary softkey. This sets the NAME and TYPE entries.
7. In the NEW NAME field, enter a new name.
 - maximum characters for HP LIF file: 6
 - maximum characters for DOS file: 8To enter a name from FILE CATALOG area, move to desired name, then select **SELECT TARGET**.
8. Select **EXECUTE** primary softkey. The filename is changed to the specified new name.
9. Select **EXIT** primary softkey to exit RENAME function.

Example

The following figure shows an example that renames a measurement setup and result file.

FUNCTION: RENAME

NAME	MOS1	TYPE	DAT
NEW NAME	MOS2		

UGT03007

To Remove a File from Diskette

1. Insert a diskette into flexible disk drive.
2. Press **System** front-panel key.
3. Select **FILER** primary softkey to display the SYSTEM: FILER page.
4. Select **PURGE** secondary softkey to display PURGE setup fields.
5. Select **FILE CATALOG** secondary softkey.
6. Move the pointer to the file name to be removed by using rotary knob, then select **SELECT** secondary softkey. This sets the NAME and TYPE entries.
7. Select **EXECUTE** primary softkey. A confirmation message is displayed.
8. Select as follows:
 - **YES** primary softkey to remove the file.
 - **NO** primary softkey to cancel removing.
9. Select **EXIT** primary softkey to exit the PURGE function.

Filer

File Operations

Example


The following figure shows an example that removes a measurement setup and result file from a diskette.

FUNCTION: PURGE

NAME	<input type="text" value="MOS1"/>	TYPE	<input type="text" value="DAT"/>
------	-----------------------------------	------	----------------------------------

UGT03008

Removing multiple files

After step 6, if you select  secondary softkey in the TYPE field, an asterisk (*) appears in the TYPE field instead of the extension. When you execute the next steps, all file names with name indicated in the NAME field are deleted.

For example, if NAME field is MOS1 and TYPE field is *, then the following files are deleted if they exist:

- MOS1.MES
- MOS1.STR
- MOS1.DAT
- MOS1.CST
- MOS1.PRO

To Copy File on Diskette to Another Diskette

1. Insert the diskette that has the source file into flexible disk drive.
2. Press **System** front-panel key.
3. Select **FILER** primary softkey to display the SYSTEM: FILER page.
4. Select **COPY** secondary softkey to display COPY setup fields.
5. Select **FILE CATALOG** secondary softkey.
6. Move the pointer to the desired file name by using rotary knob, then select **SELECT SOURCE** secondary softkey. This sets the SOURCE NAME and TYPE entries.
7. In the TARGET NAME field, enter the target file name.
 - maximum characters for HP LIF file: 6
 - maximum characters for DOS file: 8
8. In the TARGET DISK field, select the **OTHER** softkey.
9. Select **EXECUTE** primary softkey.
10. After **Insert Source Diskette** message is displayed, make sure the source diskette is inserted, then select:
 - **YES** primary softkey to copy the file.
 - **NO** primary softkey to cancel copying.
11. After **Insert Target Diskette** message is displayed, insert the target diskette, then select:
 - **YES** primary softkey to copy the file.
 - **NO** primary softkey to cancel copying.
12. Select **EXIT** primary softkey to exit the COPY function.

Filer
File Operations

Example

The following figure shows an example that copies a measurement setup and result file on the diskette to another diskette.

FUNCTION: COPY

SOURCE NAME	<input type="text" value="MOS1"/>	TYPE	<input type="text" value="DAT"/>
TARGET NAME	<input type="text" value="MOS1"/>	TARGET DISK	<input type="text" value="OTHER"/>

UGT03009

To Copy Setup or Result Data from Internal Memory to Diskette

1. Press **System** front-panel key.
2. Select **FILER** primary softkey to display the SYSTEM: FILER page.
3. Select **COPY** secondary softkey to display the COPY setup fields.
4. In the SOURCE NAME field, select the secondary softkey of the internal memory that you want to copy.
5. In the TARGET NAME field, enter a target file name.
 - maximum characters for HP LIF file: 6
 - maximum characters for DOS file: 8
6. Make sure target diskette is inserted, then select **EXECUTE** primary softkey.
7. Select **EXIT** primary softkey to exit the COPY function.

Example

The following figure shows an example that copies data from the desired internal memory to a diskette.

FUNCTION: COPY

SOURCE NAME	MEM	1
TARGET NAME		MOS1

UGT03010

To Initialize a Diskette

1. Press **System** front-panel key.
2. Select **FILER** primary softkey to display the SYSTEM: FILER page.
3. Select **DISK OPERATION** secondary softkey to display setup fields.
4. In the DISK OPERATION field, select **DISK INIT** secondary softkey.
5. In the FORMAT field, select:
 - **DOS** secondary softkey to set DOS format.
 - **HP LIF** secondary softkey to set HP LIF format.
6. (Optional) In the VOLUME NAME field, enter a volume name.
7. Select **EXECUTE** primary softkey.
8. After a confirmation message is displayed, insert the diskette to initialize into the flexible disk drive, then select:
 - **YES** primary softkey to initialize the diskette.
 - **NO** primary softkey to cancel initializing.
9. Select **EXIT** primary softkey to exit the DISK INITIALIZE function.

The PROGRESS STATUS field shows what percent the initialization is completed.

Example

The following figure shows an example that initializes a diskette with DOS format.

SYSTEM: FILER		92APR01 02:30PM		DISK INIT		
DISK OPERATION		DISK INIT		DISK COPY		
FORMAT		DOS				
VOLUME NAME		HP4155				
PROGRESS STATUS				0%		
EXECUTE						EXIT

UGT0301

To Backup a Diskette

1. Press **System** front-panel key.
2. Select **FILER** primary softkey to display the SYSTEM: FILER page.
3. Select **DISK OPERATION** secondary softkey to display setup fields.
4. In the DISK OPERATION field, select **DISK COPY** secondary softkey.
5. Insert the source diskette, then select **EXECUTE** primary softkey, then select:
 - **YES** primary softkey to execute disk copy.
 - **NO** primary softkey to cancel disk copy.
6. After the target diskette message is displayed, remove the source diskette, confirm that target diskette is initialized, insert the target diskette, then select:
 - **YES** primary softkey to execute disk copy.
 - **NO** primary softkey to cancel disk copy.

Note that source and target diskettes must be same format and size.
7. Select **EXIT** primary softkey to exit the DISK COPY function.

The PROGRESS STATUS field shows what percent the disk copy is completed.

The internal memory capacity may not be sufficient to perform the entire disk copy. If so, swap the source and target disks every time the swap message is displayed.

Example

The following figure shows an example that backs up a diskette.

SYSTEM: FILER 92APR01 02:30PM

DISK OPERATION DISK COPY

DISK INIT

DISK COPY

PROGRESS STATUS 0%

EXECUTE [] [] [] [] [] [] [] EXIT

UGT03012

Filer
File Operations



————— If You Have A Problem

If You Have A Problem

This chapter explains how to solve a problem or how to read status and error codes, if you encounter some problem.

This chapter is organized into the following sections:

- When you install the HP 4155A/4156A

This section explains how to solve the problems that may occur when installing the HP 4155A/4156A.

- When you make a measurement

This section explains how to solve the problems that may occur when making a measurement.

- If errors occur

This section lists error codes and messages that may be displayed when operating HP 4155A/4156A. Also, this section describes how to read data status.

To Get Help Information

To start help function, press the **Help** front-panel key. Then, you can select one of the following primary softkeys.

- **OVERVIEW**

Briefly explains each help softkey.

- **PAGE MAP**

Shows a map of all pages, highlights the present page name, and gives a brief description of the highlighted page name. You can use the arrow keys to highlight another page name, then can display the page by selecting the **SELECT** secondary softkey.

- **FIELD INFO**

Describes field where the pointer is located on the page, how to setup the field, and the setting restrictions. This softkey is not displayed for GRAPHICS, LIST, KNOB SWEEP, or STRESS FORCE page.

- **DATA STAT**

Shows how to read data status, which is displayed at the bottom of GRAPHICS, LIST, KNOB SWEEP, or STRESS FORCE page. This softkey is displayed only for these pages.

- **INPUT AID**

Displays variable names, mathematics functions, and read-out functions, and describes the highlighted name or function. This softkey is not displayed for GRAPHICS, LIST, KNOB SWEEP, or STRESS FORCE page.

You can enter desired variable or function into the selected setup field of a page by selecting **ENTER** secondary softkey, then pressing **Enter** front-panel key.

When You Install the HP 4155A/4156A

This section covers the following basic problems that you may encounter when you install the HP 4155A/4156A, and the solutions.

- If HP 4155A/4156A cannot be powered on
- If measurement units of HP 41501A are not displayed on the CHANNELS: CHANNEL DEFINITION page
- If external keyboard does not work
- If display page does not appear after applying power
- If HP 16442A test fixture is not stable

If HP 4155A/4156A cannot be Powered on

- Check that the power cable is firmly connected to HP 4155A/4156A and to power outlet.
- Check that the front-panel LINE switch is on.
- Check that the voltage selector switch is set properly.

The voltage selector switch is located in the lower-right corner of the rear panel. The following table shows the line voltage selector setting.

<u>Line Voltage</u>	<u>Position</u>
90--132 Vac	left
198--264 Vac	right

- Check that the fuse is good.

The fuse holder is located in the lower-right corner of the rear panel.

1. Turn the HP 4155A/4156A off, then disconnect the power cable from the power outlet.
2. Unscrew the fuse holder on the rear panel.
3. Inspect that the correct fuse is installed, and wire inside the fuse is *not* broken by using a tester.

<u>Line</u>	<u>Fuse type</u>	<u>HP part number</u>
100/120 Vac	UL/CSA T 8A, 250 Vac	2110-0383
220/240 Vac	UL/CSA T 4A, 250 Vac	2110-0014

4. Replace the fuse, if necessary. Then, screw in the fuse holder.
5. Turn the HP 4155A/4156A on.

If Measurement Units of HP 41501A are not Displayed on the CHANNELS: CHANNEL DEFINITION Page

- Check that the power cable is firmly connected to HP 41501A and to power outlet.
- Check that the LINE switch of HP 41501A is on.
- Check that the voltage selector switch is set properly.

The voltage selector switch is located in the lower-right corner of the rear panel. The following table shows the line voltage selector setting.

<u>Line Voltage</u>	<u>Position</u>
90–132 Vac	left
198–264 Vac	right

- Check that the fuse is good.

The fuse holder is located in the lower-right corner of the rear panel.

1. Turn the HP 4155A/4156A and the HP 41501A off.
2. Unscrew the fuse holder on the rear panel.
3. Inspect that the correct fuse is installed, and wire inside the fuse is *not* broken by using a tester.

<u>Line</u>	<u>Fuse type</u>	<u>HP part number</u>
100/120 Vac	UL/CSA T 8A, 250 Vac	2110-0383
220/240 Vac	UL/CSA T 4A, 250 Vac	2110-0014

4. Replace the fuse, if necessary. Then, screw in the fuse holder.
 5. Turn on the HP 41501A first, then turn on the HP 4155A/4156A.
- Check that the interface board of HP 41501A is firmly connected to “To Expander Box Interface” of HP 4155A/4156A rear panel.

If External Keyboard does not Work

- Connect keyboard *first, then* turn on HP 4155A/56A.
- Turn off HP 4155A/4156A, then check that the connector of keyboard is firmly connected into keyboard connector of HP 4155A/4156A front panel.
- Execute the **External Key Controller** diagnostics test on the SYSTEM: SELF-CALIBRATION/DIAGNOSTICS page. If error occurs, write down the displayed error codes and contact the nearest Hewlett-Packard Sales and Service office.

If Display Page does not Appear after Applying Power

- If HP 41501A is installed, *first* turn on the HP 41501A, *then* turn on HP 4155A/4156A.
- If the self-test fails, see “If Errors Occur when You Perform Self-calibration or Diagnostics” in this chapter.

If HP 16442A Test Fixture is not Stable

- Install stabilizers on the HP 16442A. For this procedure, see Chapter 2.
- If you use the HP 16442A test fixture with HP 16440A selector or HP 16441A R-Box, attach HP 16442A to HP 16440A or HP 16441A by using plates and screws. For this procedure, see Chapter 2.

When You Make A Measurement

This section covers the following basic problems that you may encounter when you making a measurement, and the solutions.

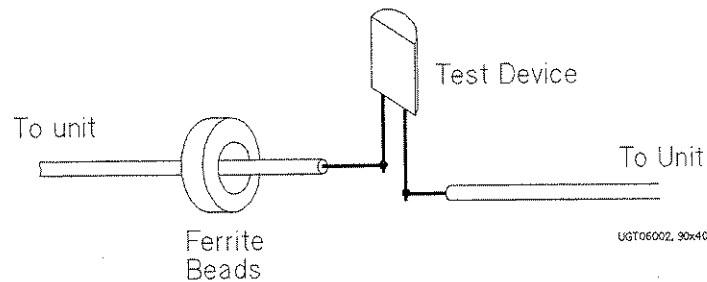
- If measured value oscillates when measuring high-frequency devices
- If measured value oscillates when measuring negative resistance
- If noise affects the measured values
- If measured voltage has some error when forcing a large current
- If large current causes high temperature (thermal drift)
- If measurement takes more time than specified
- If measurement damages the device under test
- If you get unexpected data when performing sampling measurement

If Measured Value Oscillates when Measuring High-Frequency Devices

When measuring parameters of high-frequency devices, such as GaAs MESFETs or high-frequency bipolar transistors, oscillation may cause measurement problems. Normal measurement cannot be performed because of oscillation.

To solve this problem:

- For FETs, add resistive ferrite beads as close as possible to the gate.
- For bipolar transistors, add resistive ferrite beads as close as possible to the base or emitter.
- Make connection cables as short as possible. Long wires cause oscillation because of their large inductance.



If You Have A Problem

When You Make A Measurement

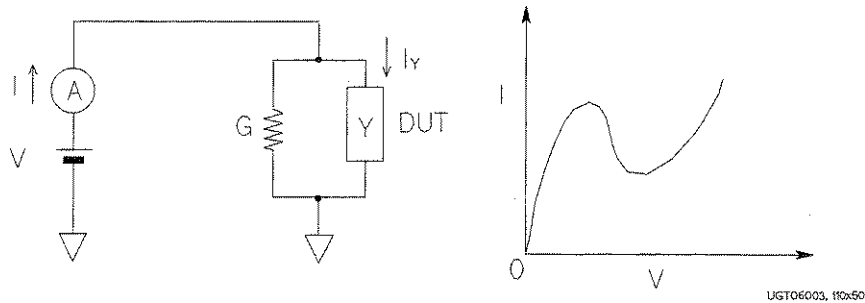
If Measured Value Oscillates when Measuring Negative Resistance

If the DUT has negative resistance characteristics, SMUs may oscillate. Because SMUs operate as negative feedback amplifier.

To solve this problem:

- For voltage controlled negative resistance device
 - Connect G in parallel with your DUT to cancel negative resistance. To obtain an output I-V curve, use the following equation.

$$I_Y = I - G * V$$

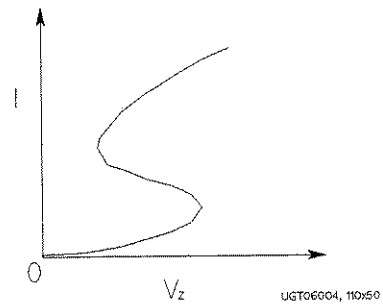
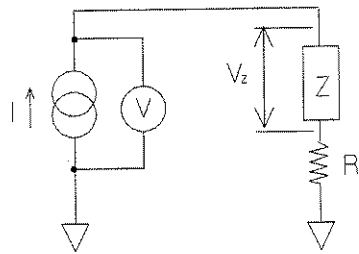


If You Have A Problem
When You Make A Measurement

- For current controlled negative resistance device
 - Connect R in series with your DUT to cancel negative resistance. To obtain an output I-V curve, use the following equation.

$$V_Z = V - R * I$$

- If the resistance of the DUT is less than 1 M Ω , you can use R-Box.



If Noise Affects the Measured Values

When you measure low current of a DUT, the measured values may not be stable.

To solve this problem:

- Use guarding to reduce the leakage current between your prober and HP 4155A/4156A. Note that long wires cause oscillation because of their large inductance. For details about connections, refer to “To Make Connections to Reduce Leakage Current” in Chapter 3.
- If some high-power electric machines are operating around HP 4155A/4156A, turn off the machines, then perform the measurements. The machines affect the power line waveform.
- Shut the lid of test fixture or shield box to prevent effects of light.
- If these are vibrations due to nearby machines or due to air flow, put cushioning material under prober, cable, and HP 4155A/4156A; install stabilizer on the prober; and make the cables stable by taping.
- Wait several minutes after connecting cables or moving probe needles. Because these operations cause electromotive force.
- If you use only Force terminal and triaxial cables for HRSMUs or HPSMU, connect an open cap to sense terminal.
- Keep constant temperature in the room when you use HP 4155A/4156A. Shift of 1 °C may shift the measurement values. Temperature change causes the following.
 - Offset current in HP 4155A/4156A.
 - Thermoelectromotive force in DUT, which causes low current.
 - Expansion and contraction of cables, which causes noise.

If Measured Voltage has some Error when Forcing a Large Current

Voltage measurement may have some error because of the effects of the cable resistance when forcing a large current.

To solve this problem:

- Use Kelvin connections between SMUs and DUT. To cancel the effects of cable resistance, connect the sense line as close as possible to the terminal of the DUT.

For details of Kelvin connections, see "Connection to Device Under Test (DUT)" in Chapter 3.

If Large Current Causes High Temperature (Thermal Drift)

If a large current is forced to a DUT, the temperature of the DUT may increase, which may cause characteristics to drift.

To solve this problem:

- Use the pulse output mode of the SMU.

For large currents, the SMU should be set to pulse output mode. This decreases the average power output to prevent temperature rise of DUT.

If Measurement Takes More Time than Specified

When measuring current that is $10\ \mu\text{A}$ or less, SMUs may take longer time to measure than the specified integration time. When measuring in a low current range, the SMUs automatically take longer integration time to perform accurate and stable measurements.

To solve this problem:

- Measure current using a fixed range that is more than $10\ \mu\text{A}$. The measurement will be performed in the specified integration time.

If you set many measurement channels, measurement takes a longer time.

To solve this problem:

- Decrease measurement channels to reduce measurement time.

Note that the number of measurement channels automatically increases if you do *both* the following: force voltage from channels that are connected to R-Box *and* display the voltage values or use voltage values in user functions. The channels automatically measure current, which is used to compensate the voltage values.

If Measurement Damages the Device under Test

When performing breakdown measurements, DUTs may be damaged.

When voltage is forced from an SMU, the current is limited by the compliance setting, which prevents the DUT from being damaged by a large current. But when the current rapidly increases, the current limiter in the SMU cannot follow the rapid current increase, so a large amount of current may flow through the DUT for a moment, which may damage the DUT.

To solve this problem:

- Insert a protecting resistor as close as possible to DUT. You can also use a resistor of the HP 16441A R-Box.

If You Get Unexpected Data when Performing Sampling Measurement

If initial interval is set to a short time and if FILTER ON is set, you may get unwanted data. FILTER ON causes a slower rise time, so short initial interval will sample during this rise time.

To solve this problem:

- Set FILTER field to OFF if you set initial interval to a short time.

Some data may be skipped because measurement takes a long time. Measurement takes a long time if measurement is performed in a low current range, if many measurement channels are set up, or if analysis, such as moving a marker, is performed during measurements.

To solve this problem:

- Measure current using a fixed range that is more than 10 μA . For measurement ranges 10 μA or less, measurement takes longer than the specified integration time.
- Decrease measurement channels to reduce measurement time.

Note that the number of measurement channels automatically increases if you do *both* the following: force voltage from channels that are connected to R-Box *and* display the voltage values or use voltage values in user functions. The channels automatically measure current, which is used to compensate the voltage values.

- Do not perform analysis operation during measurement state

If Errors Occur

If HP 4155A/4156A is not operated correctly, or if diagnostics or calibration fails, error codes and error messages are displayed.

If measurement or forcing stress are not performed correctly, measurement data status is displayed at bottom of GRAPHICS, LIST, KNOB SWEEP, or STRESS FORCE page.

This section describes the following:

- If errors occur when you perform self-calibration or diagnostics
- If error occurs when you operate HP 4155A/4156A
- If measurement data status is displayed.

If Errors Occur when You Perform Self-calibration or Diagnostics

The following are the error codes that are displayed at the bottom of the SYSTEM: SELF-CALIBRATION/DIAGNOSTICS page if errors occur when you perform self-calibration or diagnostics.

If errors occur, write down the displayed error codes and contact the nearest Hewlett-Packard Sales and Service office. Up to seven error codes can be displayed at the bottom of the SYSTEM: SELF-CALIBRATION/DIAGNOSTICS page. To display the error codes, move pointer to a desired test item.

Error codes for measurement unit.

The following are the error codes for measurement units. Error codes are 5-digit numbers.

1xyyy

xx: measurement unit

00: VSU1,2 and VMU1,2

01 to 06: SMU1 to SMU6

07: PGU1,2

08: GNDU

09: AD converter

yy: error number

1xx05	AD converter failed ROM or RAM self-test. Measurement unit failed AD converter test as a pretest for calibration or self-test.
1xx06	Successive approximation AD converter failed. Measurement unit failed AD converter test as a pretest for calibration or self-test.
1xx07	Integrating type AD converter failed. Measurement unit failed AD converter test as a pretest for calibration or self-test.

If You Have A Problem

If Errors Occur

- 1xx08 AD converter test reached timeout. Measurement unit failed AD converter test as a pretest for calibration or self-test.
- 1xx11 Overvoltage occurred for a measurement unit.
- 1xx12 Overcurrent occurred for a measurement unit.
- 1xx15 Measurement units that are not supported are detected.
- 1xx19 Emergency occurred but the cause is unknown. This is displayed, for example, when unit is known but cause is unknown.
- 1xx90 AD converter test reached timeout during calibration or self-test for a measurement unit.
- 1xx91 FIFO (first-in, first-out) for AD converter overflowed because SMU controller takes long time to read measurement data.
- 1xx92 Calibration or diagnostics was aborted by an emergency or *RST command.
- 1xx94 HP 4155A/4156A was turned on before HP 41501A.
- 1xx97 Communication failed between HOST controller and SMU controller. Or calibration/diagnostics was performed, but HOST controller couldn't receive the result from SMU controller.
- 10030 VSUs and VMUs failed default test of calibration.
- 10031 VSUs and VMUs failed function check.
- 10032 VSUs failed gain or offset calibration.
- 10033 VMUs failed gain or offset calibration.

- 10034 VMUs failed differential mode 2 V range gain or offset calibration.
- 10035 VSUs failed gain and offset calibration, VMUs failed gain and offset calibration, or VMU failed differential mode 2 V range gain and offset calibration.
- 10036 VMUs failed differential mode 0.2 V range gain or offset measurement.
- 10037 VMUs failed differential mode 0.2 V range gain and offset calibration.
- 10038 VMUs and VSUs failed CMR (Common Mode Rejection) amp adjustment.
- 10040 VSU1 and VMU1 failed ± 20 V measurement self-test in 20 V range.
- 10041 VSU2 and VMU2 failed ± 20 V measurement self-test in 20 V range.
- 10042 VSU1 and VMU2 failed ± 20 V measurement self-test in 20 V range.
- 10043 VMU2 and VMU1 failed ± 20 V measurement self-test in 20 V range.
- 10044 VSU1 and VMU1 failed ± 2 V measurement self-test in 2 V range.
- 10045 VSU2 and VMU2 failed ± 2 V measurement self-test in 2 V range.
- 10046 VSU1 and VMU2 failed ± 2 V measurement self-test in 2 V range.
- 10047 VSU2 and VMU1 failed ± 2 V measurement self-test in 2 V range.
- 10048 VMUs and VSUs failed differential 2 V range self-test. This test measures ± 2 V by VMUs in differential mode. (VSU1 is connected to VMU1, and VSU2 is connected to VMU2. VSU1 forces 0 V. VSU2 forces 2 V).
- 10049 VMUs and VSUs failed differential 2 V range self-test. This test measures 0 V by VMUs in differential mode. (VSU1 is connected to VMU1, and VSU2 is connected to VMU2. VSU1 forces 0 V.)

If You Have A Problem

If Errors Occur

- 10050 VMUs and VSUs failed differential 0.2 V range self-test. This test measures 0 V by VMUs in differential mode. (VSU1 is connected to VMU1, and VSU2 is connected to VMU2. VSU1 forces 0 V.)
- 10051 VMUs and VSUs failed differential 2 V range self-test. This test measures 0 V by VMUs in differential mode. (VSU2 is connected to VMU1 and 2, and forces 0 V.)
- 10052 VMUs and VSUs failed differential 0.2 V range self-test. This test measures 0 V by VMUs in differential mode. (VSU2 is connected to VMU1 and 2, and forces 0 V.)
- 10x20 SMU failed function check.
- 10x21 SMU failed CMR (Common Mode Rejection) amp calibration.
- 10x22 SMU failed oscillation detector test.
- 10x23 SMU failed V set and V measure calibration.
- 10x24 SMU failed I set and I measure calibration.
- 10x25 SMU failed I bias test.
- 10x26 SMU failed V switch test.
- 10760 PGU1 failed pulse gain calibration.
- 10761 PGU2 failed pulse gain calibration.
- 10762 PGU1 failed pulse offset calibration.
- 10763 PGU2 failed pulse offset calibration.

10764	PGU1 failed voltage calibration of base value.
10765	PGU2 failed voltage calibration of base value.
10766	PGU1 failed leading time calibration.
10767	PGU2 failed leading time calibration.
10768	PGU1 failed trailing time calibration.
10769	PGU2 failed trailing time calibration.
10770	PGU1 failed slope offset calibration.
10771	PGU2 failed slope offset calibration.
10772	PGU1 failed slope sampling calibration.
10773	PGU2 failed slope sampling calibration.
10875	GNDU failed offset calibration.
10905	AD converter failed ROM or RAM self-test.
10906	Successive approximation AD converter failed calibration or self-test.
10907	Integrating type AD converter failed calibration or self-test.
10908	AD converter reached timeout. AD converter did not return completion status within certain time after sending calibration or self-test command.

If You Have A Problem

If Errors Occur

Error code for CPU and peripherals.

The following are the error codes for CPU and peripherals. Error codes are 5-digit numbers.

2wwwz

www: test item number (on SYSTEM: SELF-CALIBRATION/DIAGNOSTICS page).

z: test number

23010	Host DRAM failed self-test.
23021	Host ROM failed checksum test.
23022	Host SRAM failed read and write test.
23023	EEPROM failed read and write test.
23030	Real-time clock failed timer test.
23040	HP-IB controller failed self-test. This test sets some settings, then checks the status.
23050	Serial interface controller failed self-test. This test sets some settings, then checks the status.
23061	Host controller sends a command and does not receive acknowledge from SMU controller.
23062	Host controller failed receiving response from SMU controller by sending a command.
23071	SMU controller ROM failed checksum test.
23072	SMU controller on-board SRAM failed read and write test.

23073	SMU controller internal SRAM failed read and write test.
23074	SMU controller internal timer failed self-test.
23075	SMU controller timer does not operate with correct frequency.
23076	SMU controller failed power on self-test.
23077	SMU controller test gets timeout.
23080	Access to graphics system processor failed read and write test.
23091	Graphic memories (DRAM) failed read and write test.
23092	Graphic memories (VRAM) failed read and write test.
24011	Serial interface failed write test.
24012	Serial interface test gets timeout on write test.
24013	Serial interface controller is not functioning properly for CTS (clear to send).
24014	Serial interface failed read test.
24015	Serial interface test gets timeout on read test.
24016	Serial interface controller is not functioning properly for DCD (data carrier detect).
24021	Trigger output test failed or reached timeout.
24022	Trigger input test failed.

If You Have A Problem

If Errors Occur

- 24041 Flexible disk drive controller test failed.
- 24042 Flexible disk drive 5 V power line test failed.
- 24051 Flexible disk drive failed diskette change test.
- 24052 Flexible disk drive failed read and write test.
- 24061 65 V source on post regulator is not output.
- 24062 12 V source on post regulator is not output.
- 24071 A front-panel key is stuck in pressed position.
- 24072 Front key assembly may be disconnected.
- 24073 Front-panel key controller is not functioning properly.
- 24100 External key controller failed self-test.
- 24120 Selector test reached timeout.
- 24130 R-Box test reached timeout.

If an error occurs when you operate HP 4155A/4156A

The following are the error codes and their messages that may occur when you operate HP 4155A/4156A. The error codes and messages are displayed in a message window or in the message display area at the bottom of the page.

- 1 Syntax error. Input should be integer number.
- 3 Syntax error. Input should be real number.
- 4 Syntax error. Unrecognized parameter.
- 5 Illegal setup. The parameter is out of range.
- 6 DATA buffer full. Too many APPEND.
- 7 DATA buffer full. Too many points.
- 8 Cannot define more than 6 User Vars.
- 9 Syntax error. First char should be Alphabet.
- 10 Syntax error. Must be alphanumeric.
- 12 Syntax error. Unknown variable name.
- 13 System error. HOSTC received invalid data.
HP 4155A/4156A may be broken. Contact the nearest Hewlett-Packard Sales
and Service office.
- 14 System error. Unable to communicate with SMUC.
HP 4155A/4156A may be broken. Contact the nearest Hewlett-Packard Sales
and Service office.

If You Have A Problem

If Errors Occur

- 15 System error. Illegal command to SMUC.
 HP 4155A/4156A may be broken. Contact the nearest Hewlett-Packard Sales
 and Service office.
- 16 Illegal operation. Too many LIST data.
- 17 Unable to display data list. Not enough memory.
- 18 Device I/O error. Unable to print out.
 HP 4155A/4156A, printer, or plotter may be broken. Contact the nearest HP
 sales and service office.
- 19 Filer error. File name is required.
- 20 Filer error. File Type is required.
- 21 System error. Realtime clock has problem.
 HP 4155A/4156A may be broken. Contact the nearest Hewlett-Packard Sales
 and Service office.
- 22 Not 4155A/4156A file.
- 23 File was created by old revision.
- 24 File may be corrupt.
- 25 Zero offset meas failed for <unit name>.
 Offset value is too large, so Zero offset measurement is aborted.
- 26 Too big offset for 10 pA Range of <unit name>.
 Offset value is too large, so offset cannot be canceled perfectly.
- 27 System busy. Measuring.

- 28 System busy. Forcing stress.
- 29 System error. EEPROM write error.
HP 4155A/4156A may be broken. Contact the nearest Hewlett-Packard Sales
and Service office.
- 30 Fixture open. Measurement aborted.
- 31 Auto calibration was aborted.
- 32 Auto calibration failed.
- 33 No data in internal memory.
- 34 Illegal data. File may be corrupt.
- 35 System busy. Unable to save/get when MEAS/STR.
- 36 System busy. Unable to change Y-axis.
- 37 System error. SMUC lost data.
HP 4155A/4156A may be broken. Contact the nearest Hewlett-Packard Sales
and Service office.
- 38 Buffer overflowed. Aborted.
- 39 Syntax error. Undisplayable character.
- 40 Illegal setup. One unit assigned several CH.
- 41 Illegal disk. Revision mismatch.
- 42 Read error occurred.

If You Have A Problem
If Errors Occur

- 43 File name is not LIF type.
- 44 File name is not DOS type.
- 45 File name is not LIF/DOS type.
- 46 Volume label is not LIF type.
- 47 Volume label is not DOS type.
- 48 Incorrect memory number.
- 49 Source and Target are same.
- 50 Unable to copy. Memory full.
- 51 Unable to copy. SRC and TGT mem num is same.
You cannot specify same memory number in both SOURCE and TARGET
name fields.
- 52 Illegal suffix.
- 53 System busy. Emergency handling.
- 54 System busy. Measuring.
- 55 System busy. Executing cal/diag.
- 56 System busy. Executing auto calibration.
- 57 System busy. Printing out hard copy.

58 Unable to copy HP4145 data file to memory.

100 VAR1 is not assigned.

101 VAR1 assigned to multiple Channels.

102 VAR2 assigned to multiple Channels

103 VAR1' assigned to multiple Channels.

104 VAR1 and VAR1' must be same MODE.

105 Cannot set multiple SMUs to pulse mode

106 Cannot use VAR when SAMPLING.

107 Cannot use SMU pulse when SAMPLING.

108 Duplicate variable names exist.

109 The setup is not finished.

110 Standby chan cannot use R-BOX resistor
For standby channel, you cannot use R-Box resistor.

111 Common chan cannot use R-BOX resistor.
For common mode channel, you cannot use R-Box resistor.

112 VAR1 step number is out of range.

113 START and STOP have different sign.

If You Have A Problem

If Errors Occur

- 115 SMU pulse Period must be \geq Width+4ms.
- 116 VAR1 output power too large for unit.
- 117 VAR1' output power too large for unit.
- 118 VAR2 output power too large for unit.
- 119 TOT SMP TM=AUTO is for LINEAR only.
AUTO can be specified for total sampling time *only when* LINEAR sampling mode is selected.
- 120 Only LINEAR when init int \leq 480 μ s.
When initial interval is set to 480 μ s or less, you *cannot* specify LOG or THINNED-OUT sampling mode.
- 121 For LINEAR set AUTO if init int \leq 480 μ s
When initial interval is set to 480 μ s or less *and* when LINEAR sampling mode is set, AUTO must be set in TOTAL SAMP. TIME field.
- 122 TOT SP TM must be \geq INIT INT \times (NOofSMP-1)
Total sampling time must be set in the following range:
total sampling time \geq initial interval \times (number of samples - 1)
- 123 STOP CONDITION NAME is not set.
- 124 PGU pulse Period must be $>$ Width.
- 125 PGU pulse Period must be \geq Delay.
- 126 PG leading/trailing must be same range
PGU leading and trailing time must be set in the same range. For details about the ranges, see "Measurement Units" in *HP 4155A/4156A User's Dictionary Reference*.

- 127 PGU Leading must be $\leq 0.8 \times \text{WIDTH}$.
Leading time must satisfy the following equation.
 $\text{leading time} \leq \text{pulse width} \times 0.8$
- 128 PGU Trailing must be $\leq 0.8 \times (\text{Peri-Wid})$.
Trailing time must satisfy the following equation.
 $\text{trailing time} \leq (\text{pulse period} - \text{pulse width}) \times 0.8$
- 129 SMU I range must be \leq Compliance range.
- 130 SYNC channel is not assigned.
At least one SYNC channel must be specified.
- 131 Assigned more than 4 SYNC channels.
- 132 Set INIT INT $\geq 2\text{ms}$ for multi-CH MEAS.
When you perform multi-channel measurements, initial interval must be 2 ms or more.
- 133 Use FIXED range when INIT INT $< 2\text{ms}$.
When you use auto ranging or limited auto ranging measurement, you must set initial interval to 2 ms or more.
- 134 Cannot disable STBY-ON ch in Stress.
On STRESS: CHANNEL DEFINITION page, you cannot disable (delete entries in row) channels that are set to STBY ON on the CHANNELS: CHANNEL DEFINITION page.
- 135 Undefined symbol in user function.
- 136 Syntax error in user function.
- 137 Too few arguments in user function.

If You Have A Problem

If Errors Occur

- 138 Too many arguments in user function.
- 139 User function area is full.
- 140 Recursive call in user function.
- 141 User function is undefined.
- 142 Stack overflow in user function.
- 143 COMMON channel FCTN must be CONST.
- 144 COMMON channel FCTN must be NSYNC.
- 145 System busy. Unable to change page when MEAS.
- 146 System busy. Unable to change page when STRS.
- 147 Ineffective page in this setup.
- 148 X axis is not assigned.
- 149 Y1 axis is not assigned.
- 150 ENABLE DELAY must be $\leq 32767 \times \text{INIT INT}$
For sampling measurements, when stop condition is set to ENABLE, *enable delay* must be *initial interval* $\times 32767$ or less.
- 151 No unit is set to STANDBY ON.
- 152 System busy. MEASURING (or 4145 USER MODE).
- 153 MIN, MAX have different sign in LOG.

- 154 Can do such operation only for USER VAR.
- 155 Illegal setup. The name was already used.
- 156 User variable is used in user function.
If a user variable is used in user functions, the user variable cannot be deleted.
- 157 AUTO Analysis is undefined.
- 158 TOT SAMP TIME must be $\leq \text{INIT INT} \times 32767$.
Total sampling time must be initial interval $\times 32767$ or less and 1×10^{11} or less.
- 159 Measure channel is not assigned.
- 160 Unable to find approximate data.
- 161 Illegal graph scale setup.
- 163 The Sweep/Pulse Polarity is not same.
- 164 SYNC can not be set for standby CH.
- 165 Set value is too small for range.
For LOG sweep measurement, start and stop value must be equal or more than setup resolution. For sweep measurement, step value of VAR1 and VAR2 must be equal or more than setup resolution.
- 166 PGU Peak/Base difference must be $\leq 40V$
- 170 Use Sweep/Bias instead of SMU Pulse.

If You Have A Problem .

If Errors Occur

- 171 Knob Sweep sets VAR1' to CONST.
If you set VAR1' for knob sweep measurement, the VAR1' channel forces a constant value equal to START value. VAR1' cannot be a sweep source for Knob Sweep measurement.
- 172 Cannot do SAMPLING when Knob Sweep.
- 173 |STEP| must be \leq |STOP-START| .
- 174 Cannot set CONT AT ANY if PCOMP is ON.
When you set power compliance, you cannot select **CONT AT ANY** secondary softkey.
- 175 CONST setup must be \leq unit output range.
- 176 Pulse BASE must be \leq unit output range.
- 177 PGU pulse WIDTH must be \geq setup res.
Pulse width of PGUs must be greater than or equal to unit setup resolution.
- 178 TRIG OUT DELAY is too long.
Trigger out delay must be 32.7 ms or pulse width you specified, whichever is shorter.
- 179 Cannot ENABLE stop if INIT INT $<$ 2 ms.
When initial interval is set to less than 2 ms, you cannot set stop condition.
- 180 Illegal setup. Target module is not installed.
- 181 Illegal setup. Invalid command.
- 182 Cannot define more than 6 User functions.
- 183 Cannot define more than 8 data vars in lists.

184 Cannot define more than 2 display data vars.

185 Ascii format does not allow block transfer.

186 Block size mismatched with data format.

187 Y2 axis is not assigned.

188 List name is not assigned.

189 The specified name is not list name.

190 Illegal file type is requested.

191 System busy. Printing out hard copy.

192 Unable to set. Another controller is on bus.

193 Unable to specify this name here.

194 PGU Pulse DELAY must be \geq setup res.
PGU pulse delay time must be \geq setup resolution.

195 Cal/Diag failed. Cannot use unit.

196 Compliance too low to force pulse.

197 Compliance too high to force pulse.

198 Two VPULSE PGUs must be same STBY.

199 Two VPULSE PGUs must be same FCTN.

If You Have A Problem
If Errors Occur

201 System error. Filer memory overflow.
202 Filer error. Integer overflow.
204 Filer error. File type is wrong.
205 Filer error. EOF found.
206 Filer error. EOR found.
211 Trigger ignored.
213 Filer error. DISK record is not found.
215 Filer error. DISK record data error.
220 Filer error. Undefined I/O path.
221 Filer error. Permission denied.
224 Filer error. The directory is not empty.
225 Filer error. No DISK in the drive.
226 Filer error. Initialization failed.
227 Filer error. Invalid DISK volume label.
229 Filer error. DISK is not initialized.
230 Filer error. Checkread error.
231 Filer error. Bad HFS DISK.

232 Filer error. DISK is full.

233 Filer error. Directory is full.

234 Filer error. File name is undefined.

235 Filer error. File name is wrong.

236 Filer error. The file name is already used.

237 Filer error. Bad device type.

238 Filer error. Unable to use wildcard.

239 Filer error. Operations failed.

241 Filer error. The target type is wrong.

242 Filer error. The file is protected.

243 Filer error. DISK is protected.

244 System error. Unable to verify.

245 Filer error. Unable to copy between LIF/DOS.

246 Filer error. Reason Unknown.

265 HOLD TM must be ≥ 0 when INIT INT ≥ 2 ms.

280 VAR1' output value is out of range.

If You Have A Problem

If Errors Occur

- 284 Sampling range must be \leq 11decades .
- 286 Cannot execute cal/diag after power fail.
 Turn on HP 4155A/4156A again to perform calibration or diagnostics.
- 288 MEAS not finished. Incomplete data deleted.
 If you press **Stop** front-panel key before the specified measurement finishes,
 incomplete measurement data is deleted.
- 289 STBY ON ch MODE(MEAS/STR) must be same
- 290 Cannot use unit after power fail.
- 292 VAR1' parameters must be \geq output res
 Start, stop, and step value of VAR1' channel must be unit output resolution or
 more.
- 293 Cal/Diag aborted (failed on some units).
 Calibration or diagnostics was aborted by receiving *RST command. So, some
 units maybe failed.
- 300 Over voltage is detected.
- 301 Over Current is detected.
- 302 Power failure at Main Frame.
 Turn on HP 4155A/4156A again. You can use filer functions after selecting OK
 secondary softkey (except when this error occurs during power-on test).
- 303 Power failure at Expander Box.
 Turn on HP 4155A/4156A again. You can use filer functions after selecting OK
 secondary softkey (except when this error occurs during power-on test).
- 305 Cannot shutdown Main Frame.

- 306 Emergency. Reason unknown.
An emergency occurred on an empty slot. Or an emergency occurred on an existing slot, but the reason is unspecified.
- 307 Cannot shutdown Power Supply.
Turn on HP 4155A/4156A again. You can use filer functions after selecting OK secondary softkey (except when this error occurs during power-on test).
- 308 Unknown emergency (SMUC time out).
Perform 305: HOSTC <--> SMUC I/F test on the SYSTEM: SELF-CALIBRATION/DIAGNOSTICS page. If this test fails, HP 4155A/4156A may be broken. Contact the nearest Hewlett-Packard Sales and Service office.
- 309 The SMU AND PULSE GENERATOR EXPANDER is not turned on.
Turn on the expander, then cycle mainframe power.”
- 310 Unsupported unit detected in Slot ##. Turn off the power and remove the unit.
The displayed unit must be changed. Contact the nearest Hewlett-Packard Sales and Service office.
- 400 System error. Undefined method. System bug.
- 401 System bug. Invalid parameter.
- 402 System bug. Inconsistency.

If a Measurement Data Status is Displayed.

If measurement or stress force cannot be performed correctly, the measurement data status is displayed at the bottom of the GRAPHICS, LIST, KNOB SWEEP, or STRESS FORCE page. The status indicates hardware and calculation errors.

The status format depends on the displayed page as follows:

GRAPH/LIST: GRAPHICS and KNOB SWEEP page.

Status is displayed in following format:

STATUS: *AB AB AB (A A A A A A A C)*

- *AB AB AB* is for X, Y1, and Y2 axis respectively. No Y2 for KNOB SWEEP.
- *A A A A A A A C* is for SMU1 to SMU6, VMU1, VMU2, and PGU1/2 respectively.

Where, *A*, *B*, and *C* mean as follows:

A hardware status error. If multiple errors occur, numbers are added and displayed as a hexadecimal number.

- 1 : AD converter overflow.
- 2 : Oscillation
- 4 : Other channel reached compliance limit.
- 8 : This channel reached compliance limit.

B data error. If multiple errors occur, numbers are added and displayed as a hexadecimal number.

- 1 : stack register overflow
- 2 : calculation error
- 4 : only one data for delta measurement. At least 2 data needed.

C PGU status

- 1 : PGU average output current exceeds 100 mA.

For non-measurement channels, “-” is displayed.

GRAPH/LIST: LIST page.

Status on GRAPH/LIST: LIST page is displayed in following format:

STATUS: *AB AB AB AB AB AB AB AB (A A A A A A A C)*

- *AB AB AB AB AB AB AB AB* is for the up to 8 LIST variables that can be set up.
- *A A A A A A A C* is for SMU1 to SMU6, VMU1, VMU2, and PGU1/2 respectively.

Where, *A*, *B*, and *C* mean as follows:

A hardware status error. If multiple errors occur, numbers are added and displayed as a hexadecimal number.

- 1 : AD converter overflow.
- 2 : Oscillation
- 4 : Other channel reached compliance limit.
- 8 : This channel reached compliance limit.

B data error. If multiple errors occur, numbers are added and displayed as a hexadecimal number.

- 1 : stack register overflow
- 2 : calculation error
- 4 : only one data for delta measurement. At least 2 data needed.

C PGU status

- 1 : PGU average output current exceeds 100 mA.

For non-measurement channels, “-” is displayed.

If You Have A Problem

If Errors Occur

STRESS: STRESS FORCE page.

Status on STRESS: STRESS FORCE page is displayed in following format:

STATUS: A C

Where, A and C mean as follows:

A hardware status error. If multiple errors occur, numbers are added and displayed as a hexadecimal number.

2 : Oscillation.

4 : Some channel has reached compliance limit.

C PGU status

1 : PGU average current exceeds 100 mA.

Change 1

- Hardcopy
 - COLOR / B/W field (Page 5-29)
 - FIX CLR** secondary softkey and fixed color mode are not available.
 - RESOLUTION field (Page 5-30)
 - HP 4155A/4156A does not set the resolution of your PCL printer to the value specified in the RESOLUTION field. You need to set the RESOLUTION field to the same value as actual printer resolution setting.
 - OUTPUT REGION table (Page 5-45)
 - STORE REGION** secondary softkey and **RECALL REGION** secondary softkey to store and recall the output region settings into internal memory are not available.

Manual Changes Depending on ROM Version

Change 1



**Manual Changes
Depending on ROM Version**

Manual Changes Depending on ROM Version

HP 4155A/4156A may vary slightly, depending on the version of the ROM based firmware. The information in this manual applies to an HP 4155A/4156A with the following ROM version.

Manual Applies to this ROM Version

ROM	ROM Version
HOSTC	01.02

ROM version

To confirm your ROM version, check the **SOFTWARE REVISION** field on the **SYSTEM: CONFIGURATION** page.

This chapter contains information for customizing this manual so that it is correct for the HP 4155A/4156A that you are using.

To customize this manual for your HP 4155A/4156A, refer to the following table, and make the manual changes depending on the ROM version of your HP 4155A/56A.

Manual Changes by ROM version

ROM version (HOSTC)	Make Manual Changes
01.00	1
01.01	1

Index

Index

DR: User's Dictionary Reference

- A** abnormal status
 stress force, 3-57, DR3-12, DR4-89
 sweep measurement, DR4-24
ABS built-in function, DR6-14
absolute value
 built-in function. *See* ABS.
ac
 stress. *See* stress force.
accessories. *See* peripherals.
 accessories and options, DR8-2-5
 connector plate. *See* connector plate.
 HP 16440A. *See* SMU/PG selector.
 HP 16441A. *See* R-BOX.
 HP 16442A. *See* test fixture.
 installing, 2-12-47
 interlock terminal. *See* interlock function.
 keyboard. *See* keyboard.
adapter
 HP 16435A Interlock Cable Adapter, 2-18, 2-34
alphanumeric characters
 entering. *See* editing.
analyzing
 knob sweep results, DR3-24
 measurement results. *See* measurement results.
Append front-panel key, 1-6, 3-33, DR3-43
 for standby, 3-27
 for trigger function, DR3-53
append measurement, 1-6
 executing, 3-33
 list display, DR4-66
 skipping to next on list display, DR4-69
applications
 default settings in internal memory, DR3-89, DR4-12
arithmetic operators, DR6-10
 precedence, DR6-12
arrow keys
 for marker/cursor, 1-6
ASCII
 saving in ASCII format. *See* MS-DOS.
AT built-in function, DR6-14
auto
 analysis function. *See* DISPLAY: ANALYSIS SETUP page.
 calibration. *See* calibration.

- ranging, DR3-67, DR3-68, DR4-32
- scaling. *See* graphical display.
- AUTOSET file, DR3-85
- average
 - built-in function. *See* AVG.
 - moving built-in function. *See* MAVG.
- AVG built-in function, DR6-14
- axis
 - changing range, 4-25
 - changing variable, 4-26
 - selecting on graph, DR4-52

B backing up

- diskette. *See* diskette.

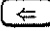
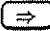
back panel. *See* rear panel.
BASIC

- instrument BASIC. *See* IBASIC.

basic sweep measurement. *See* sweep measurements.
baud rate

- setting up, DR4-110

beep

- setting up, DR4-110
-  front-panel key, DR4-6
- green, DR4-5, DR4-6
-  front-panel key, DR4-6
- green, DR4-5, DR4-6

bipolar transistor, 1-22

- default settings, DR3-89, DR4-12
- high-frequency oscillation problems, 6-9

blue front-panel key, 1-8, DR4-5
breakdown characteristics

- measuring using R-BOX. *See* R-BOX.
- preventing damage to DUT, 6-14

built-in functions, DR6-13-24

- read out functions. *See* read out functions.
- using in an expression, DR6-10

C cable

- HP 16435A Interlock Cable Adapter, 2-18, 2-34
- plugs. *See* plugs.
- power. *See* power cable.
- to use when connecting DUT to connector plate, 2-22-28

Calc key, DR4-5
calculation

- direct keyboard, 1-8, DR4-5, DR6-9, DR6-13, DR6-25

calibration

- auto, DR4-114
- error number meaning, 6-17-24

- self, DR4-113
- cancel
 - zero offset. *See* zero offset cancel.
- capacitance
 - stray. *See* stray capacitance.
- Chan** front-panel key, 1-5
- CHANNEL ASSIGN** softkey, DR4-12, DR4-85
- CHANNELS: CHANNEL DEFINITION** page, DR4-11-15
 - sampling measurement setup, 3-45
 - series resistance (R-BOX) setup, 3-34, DR3-61
 - softkey map, DR7-5
 - standby setup, 3-27, DR3-38
 - sweep measurement setup, 3-12
- CHANNELS: USER FUNCTION DEFINITION** page, 3-28, DR4-16-17, DR6-6
 - softkey map, DR7-6
- CHANNELS: USER VARIABLE DEFINITION** page, DR4-18
 - softkey map, DR7-7
- characteristics
 - breakdown. *See* breakdown characteristics.
- chassis
 - ground. *See* frame ground.
- circuit common
 - HP 4155A/56A, 1-10, 2-6
- Clear** front-panel key, DR4-6
 - Clr→End, DR4-5, DR4-6
- clock
 - setting up, DR4-110
- Clr→End key, DR4-5, DR4-6
- coaxial cable
 - to use when connecting DUT to connector plate, 2-22-28
- color
 - setup. *See* SYSTEM: COLOR SETUP page.
- command set
 - setting up, DR4-109
- common
 - HP 4155A/56A circuit common. *See* circuit common.
- COMMON channels**
 - series resistance (R-Box), DR4-15
- completion
 - sampling stop condition. *See* sampling measurements.
- compliance, DR1-6-17, DR3-2, DR3-71-77
- current, DR1-6-17, DR3-71-75
 - knob sweep, DR3-34
 - power, DR2-6, DR2-9, DR2-11, DR3-76-77, DR4-22-23
 - primary sweep source (VAR1), DR2-6, DR4-22
 - pulsed SMU, DR1-16
 - secondary sweep source (VAR2), DR2-9, DR4-23
 - synchronous sweep source (VAR1'), DR2-11, DR4-23

- voltage, DR1-6-17, DR3-71-75
- compliance range, DR3-67, DR3-70
- COND built-in function, DR6-16
- condition
 - built-in function. *See* COND.
 - sampling stop condition. *See* sampling measurements.
- configuration
 - checking, DR4-112
 - HP 41501A, 1-4
 - HP 4155A/4156A, 1-4
- connecting. *See* installing.
 - DUT. *See* DUT.
 - Kelvin connections. *See* Kelvin connections.
 - plotter. *See* plotter.
 - printer. *See* printer.
 - R-BOX. *See* R-BOX.
 - SMU/PG selector. *See* SMU/PG selector.
 - test fixture. *See* test fixture.
- connector plate
 - connecting by HP 16435A Interlock Cable Adapter, 2-18
 - connecting to GNDU, 2-22
 - connecting to PGU, 2-28
 - connecting to SMU, 2-24
 - connecting to VSU/VMU, 2-27
 - guard connections, 3-6
 - installing, 2-13
 - interlock terminal, 2-17
 - Kelvin connections, 2-22, 2-24, 3-8
 - probing needle connections, 3-6, 3-8
- constants
 - numeric. *See* numeric constants.
 - scientific. *See* scientific constants.
- controller, 1-20
 - setting for HP-IB, DR4-109
 - setting for IBASIC, DR4-109
- cooling fans
 - site requirements, 2-7
- copying
 - from diskette to diskette. *See* diskette.
 - from diskette to internal memory. *See* internal memory.
 - from internal memory to diskette. *See* diskette.
- CST file suffix, DR4-97, DR4-99
- CST suffix. *See* file types.
- current
 - compliance. *See* compliance.
 - leakage current. *See* leakage current.
 - measuring high current. *See* high current measurement.
 - measuring low current. *See* low current measurement.
 - names. *See* INAME.

cursor, 1-25
 displaying on graph, 4-8
 manual analysis, DR4-53-56, DR6-47
 moving on graph, 4-8
 numeric value on graph, DR4-51
 reading by read out function. *See* read out function.
curve tracer. *See* knob sweep.
customize file (INIT.CST), DR3-86

D data
 measurement data status, 6-40-42
data bits
 setting up, DR4-111
data input. *See* editing.
data storage. *See* saving.
data variables, DR6-2-8
 changing on graph, 4-24, 4-26, DR4-41
 changing on list, 4-32, DR4-43
 displaying on graph, DR4-59
 measurement data, DR6-4
 measurement result index, DR6-5
 name syntax, DR6-8
 numeric value on graph, DR4-51
 output data, DR6-4
 PGU data, DR6-5
 setting up, 3-30, 3-32
 time data of sampling measurement, DR6-5
 user functions. *See* user function.
 user variables. *See* user variables.
 using in an expression, DR6-10
DAT suffix. *See* file types.
dc
 stress. *See* stress force.
default
 initial settings. *See* initial settings.
delay time
 knob sweep, DR3-21
 PGU, 3-25, DR1-22, DR3-9, DR4-29
 pulsed sweep, DR2-12
 related to trigger, DR3-57, DR4-36
 step delay time for externally triggered measurements, DR3-54
 step delay time when triggering external instrument, DR3-57
 stress (PGU), 3-53, DR4-90
 sweep measurements, 3-22, DR2-5-7, DR2-12, DR3-57, DR4-23
 trigger output of pulse sweep, DR3-57, DR4-36
Delete front-panel key, DR4-6
DELETE ROW softkey, DR4-13, DR4-86
deleting. *See* removing.

DELTA built-in function, DR6-17
 device under test. *See* DUT.
 diagnostics, DR4-113
 error number meaning, 6-17-24
 DIFF built-in function, DR6-18
 difference
 built-in function. *See* DELTA.
 differential
 built-in function. *See* DIFF.
 differential mode
 VMU. *See* VMU.
 diode
 default settings, DR3-89, DR4-12
 direct
 keyboard calculation. *See* calculation.
 disk drive, 1-5
 diskette, 1-26
 backing up, 5-26
 copying data from internal memory, 5-23, DR4-105
 copying data to internal memory, DR4-105
 copying entire diskette, DR4-107
 copying file to another diskette, 5-21
 dumping screen/page to, DR5-7
 initializing, 5-24, DR4-107
 listing file names, 5-5, DR4-96
 loading data from, 5-13, DR4-101
 loading initial settings from, DR3-85-87
 removing a file, 5-19, DR4-103
 renaming a file, 5-18, DR4-104
 saving data to, 5-7, DR4-98
 DISPLAY: ANALYSIS SETUP page, 1-25, DR4-44-49, DR6-52-53
 execution timing, DR4-39
 problem due to increased measurement time, 6-15
 recalling after changing, DR4-55
 setup tasks, 4-33-44
 softkey map, DR7-14
 using expression as condition, DR6-9
 DISPLAY: DISPLAY SETUP page
 GRAPHICS setup, 3-31, DR4-40-41
 LIST setup, 3-33, DR4-42-43
 softkey map, DR7-13
Display front-panel key
 IBASIC key group, 1-8
 PAGE CONTROL key group, 1-5
 display range. *See* graphical display.
 double sweep, DR2-4, DR4-21
 drift
 thermal. *See* thermal drift.
 dumping

to file. *See* diskette.
to printer. *See* printer.
DUT
connecting to connector plate, 2-22-28
mounting on test fixture, 3-4
preventing damage during breakdown measurements, 6-14

E Early voltage, 1-25
earth
for power cables. *See* ground.
Edit front-panel keys, 1-8, DR4-6
editing
alphanumeric characters, DR4-5
comments and names, DR4-3
inputting data to pages, DR4-2-6
lowercase, DR4-5
numeric characters, DR4-5
numeric data, DR4-3
selecting softkeys, DR4-3
special (non-alphanumeric) characters, DR4-5
uppercase, DR4-5
using blue key. *See* blue front-panel key.
using Edit keys. *See* Edit front-panel keys.
using green key. *See* green front-panel key.
Enter front-panel key, 1-8, DR4-3
Calc, 1-8, DR4-5
entering data. *See* editing.
ENTRY key group, 1-8, DR4-3
environmental requirements, 2-7
error messages
during self-calibration or diagnostics, 6-17-24
measurement data errors, 6-40-42
while operating HP 4155A/56A, 6-25-39
Excel, Microsoft
saving result data for, 5-12, DR4-74
expander
HP 16440A. *See* SMU/PG selector.
HP 41501A. *See* SMU and PG expander.
EXP built-in function, DR6-19
exponential
built-in function. *See* EXP.
expression, DR6-9-12
direct keyboard calculation, DR6-9
extension
file. *See* file types.
external controller. *See* controller.
external instruments
triggering. *See* trigger function.

Index-8

F fall time. *See* trailing-edge transition time.

fans
 cooling. *See* cooling fans.

Fast front-panel key, 1-6

FCTN column, 3-12, 3-45, DR4-14

ferrite beads
 using to solve high-frequency oscillation problems, 6-9

FET
 default settings, DR3-89, DR4-12
 high-frequency oscillation problems, 6-9

file operations
 for diskette. *See* diskette.
 for internal memory. *See* internal memory.
 SYSTEM: FILER page. *See* SYSTEM: FILER page.

file types
 CST, DR4-97, DR4-99
 PCL, DR4-97, DR4-118, DR5-11
 PGL, DR4-97, DR4-118, DR5-11
 suffix, 5-7, DR4-96

filter
 SMU, DR3-80

fixed range, DR3-67, DR3-70, DR4-32

fixture
 test. *See* test fixture.

flexible disk drive. *See* disk drive.

floating
 measurements, 1-10

floppy disk. *See* diskette

forcing
 stress. *See* stress force.

frame ground
 HP 4155A/56A, 1-10

frequency
 line frequency. *See* line frequency.

front panel
 direct keyboard calculation. *See* calculation.
 HP 41501A. *See* SMU and PG expander.
 HP 4155A/4156A, 1-5
 keys. *See* each individual key.

functions
 built-in. *See* built-in functions.
 read out. *See* read out functions.
 user. *See* user function.

fuse
 HP 41501A, 1-13, 2-4, 6-6
 HP 4155A/56A, 1-10, 2-4, 6-5

- G **Get** front-panel key, 5-13-17, DR4-101
- getting. *See* loading.
- GNDU, DR1-3
 - connecting to connector plate, 2-22
 - connector on HP 41501A, 1-13
 - output FCTN, DR4-14
 - output MODE, DR4-14
 - stress modes, DR4-85
- gradient. *See* line.
- graphical display
 - auto scaling, 4-10, DR4-57, DR6-51
 - axis. *See* axis.
 - centering at cursor, 4-12, DR4-57, DR6-51
 - changing data variables. *See* data variables.
 - changing sampling setup, DR4-63
 - changing sampling stop conditions, DR4-64
 - changing SMU pulse parameters, DR4-62
 - changing sweep setup, DR4-60
 - cursor. *See* cursor.
 - displaying grid, 4-23, DR4-41, DR4-58
 - marker. *See* marker.
 - overlying a curve, 4-27, DR4-59, DR6-51
 - printing. *See* printer.
 - setting up, 3-30, DR4-41, DR4-58
 - zooming, 4-11, DR4-57, DR6-51
- Graph/List** front-panel key, 1-5, DR4-50
- GRAPH/LIST: GRAPHICS page, DR4-51-65
 - analysis tasks, 4-3-28
 - measurement data status, 6-40
 - softkey map, DR7-15
- GRAPH/LIST: LIST page, DR4-66-82
 - analysis tasks, 4-29-32
 - measurement data status, 6-41
 - softkey map, DR7-16
- GRAPH PLOT setup area, DR5-18
- green front-panel key, 1-8, DR4-5, DR4-6
- grid
 - graphical display. *See* graphical display.
- ground
 - for power cables, 2-5
 - HP 4155A/56A circuit common. *See* circuit common.
 - HP 4155A/56A frame ground. *See* frame ground.
- grounded mode
 - VMU. *See* VMU.
- ground unit. *See* GNDU.
- guard conductor
 - caution, 2-30
 - reducing leakage current, 3-6
- guarding

caution, 2-30
reducing leakage current, 3-6

H handshake
 setting up, DR4-111
hardcopy. *See* printer.
hardwire handshake
 setting up, DR4-111
Help front-panel key, 1-8, 6-3
 measurement data status for display pages, 6-40-42
high-accuracy measurements
 integration time, DR3-78
high-current measurements
 reducing measurement errors, 6-13
 using Kelvin connections. *See* Kelvin connections.
high-frequency devices
 oscillation problems, 6-9
high-speed measurements
 integration time, DR3-78
HIGH VOLTAGE indicator, 1-7
hold time
 knob sweep, DR3-31
 pulsed sweep, DR2-13
 sampling measurements, 3-48, DR2-24-25, DR3-54, DR4-27
 stress, 3-58, DR3-10, DR4-89
 sweep measurements, 3-22, DR2-5-7, DR2-13, DR3-54, DR4-23
HP 16088B test fixture, 2-18, 2-34
HP 16435A Interlock Cable Adapter, 2-18, 2-34
HP 16440A. *See* SMU/PG selector.
HP 16441A. *See* R-BOX.
HP 16442A. *See* test fixture.
HP 4145
 remote control command set, DR4-109
 setup data, DR4-102
HP 41501A. *See* SMU and PG expander.
HP 4155A
 options and accessories, DR8-2
HP 4156A
 HRSMU. *See* HRSMU.
 Kelvin connections. *See* Kelvin connections.
 options and accessories, DR8-2
HP C1405B. *See* keyboard.
HP-GL format
 printing/plotting, DR5-2-20
 relation to print/plot OUTPUT REGION, DR5-5
 saving results graph to file, DR5-17
 saving screen image to file, DR5-6
 saving setup data to file, DR5-9

- selecting color, DR4-118
- selecting HP-GL, DR4-118
- specifying plotter pens, DR4-123
- HP-IB, 1-20
 - connection to printer/plotter, 2-49
 - connector on HP 4155A/56A, 1-11
 - setting controller, DR4-109
 - setting up for HP 4155A/56A, DR4-109
 - setting up for printer, 2-49, DR4-109, DR4-117
- HP instrument BASIC. *See* IBASIC.
- HPSMU, DR1-5
 - compliance. *See* compliance.
 - integration time. *See* integration time.
 - Kelvin connections. *See* Kelvin connections.
 - range/resolution, DR1-12-17
- HRSMU
 - compliance. *See* compliance.
 - integration time. *See* integration time.
 - Kelvin connections. *See* Kelvin connections.
 - range/resolution, DR1-5-8
- hue, DR4-122
- humidity
 - site requirements. *See* environmental requirements.

- I IBASIC, 1-21
 - key group, 1-8
 - loading file automatically from diskette, DR3-85
 - run indicator, 1-8
 - setting controller, DR4-109
- idle state, DR3-36, DR3-43
 - changing to measurement state, DR3-47, DR3-50
 - changing to standby state, DR3-41
 - changing to stress force state, DR3-10
 - series resistance (R-Box) switching, DR3-64
- image
 - dumping screen image. *See* screen image.
- impedance
 - output. *See* output impedance.
- INAME, 3-12, 3-45, DR4-13, DR6-4
- index
 - data variable of measurement results, DR6-5
 - numbers in list display, DR4-66
- indicator
 - blue key. *See* blue front-panel key.
 - HIGH VOLTAGE. *See* HIGH VOLTAGE indicator.
 - IBASIC Run. *See* IBASIC.
 - MEASUREMENT. *See* MEASUREMENT indicator.
 - Standby. *See* standby state.

- status, DR4-7
- warning indicator on HP 16088B, 2-18
- induced noise
 - reducing, 3-6
- INIT.CST file. *See* customize file.
- INIT.DAT file. *See* measurement setup/result file.
- initializing
 - diskette. *See* diskette.
 - initial settings. *See* initial settings.
- initial settings, DR3-2, DR3-85-89
 - default, DR3-85, DR3-88
 - internal memory, DR3-89, DR4-12
 - user-defined, DR3-85-87
- INIT.MES file. *See* measurement setup file.
- INIT.STR file. *See* stress setup file.
- inputting data. *See* editing.
- Insert** front-panel key, DR4-6
- installing, 2-2-49. *See also* connecting.
 - connector plate. *See* connector plate.
 - HP 16440A. *See* SMU/PG selector.
 - HP 16441A. *See* R-BOX.
 - HP 16442A. *See* test fixture.
 - HP 41501A. *See* SMU and PG expander.
 - HP 4155A/56A, 2-8-11
 - interlock terminal. *See* interlock function.
 - plotter. *See* plotter.
 - printer. *See* printer.
- instrument BASIC. *See* IBASIC.
- INTEG built-in function, DR6-20
- integration
 - built-in function. *See* INTEG.
- integration time, DR3-2, DR3-78-79, DR4-34
 - HPSMU, DR1-13, DR1-15
 - HRSMU, DR1-6, DR1-8, DR3-79
 - MPSMU, DR1-10, DR1-11
- interface
 - HP-IB. *See* HP-IB.
 - serial. *See* serial interface.
- interlock function, 3-4, 3-51, DR2-26, DR3-44
 - HP 16435A Interlock Cable Adapter, 2-18, 2-34
 - terminal, 1-11, 2-17
- internal memory, 1-26
 - copying data from diskette, DR4-105
 - copying data to diskette, 5-23, DR4-105
 - initial settings, DR3-89, DR4-12
 - loading data from, 5-16, DR4-101
 - removing a file, DR4-103
 - saving data to, 5-9, DR4-98
 - setting from diskette (MEM files), DR3-87

interpolation
 setting marker for automatic analysis, DR4-49
 setting marker for manual analysis, DR4-52

- K** Kelvin connections
 for high current measurement, 3-5
 for low resistance measurement, 3-8
 when forcing voltage, 3-9
 when using connector plate, 2-22-28
 when using R-BOX, DR3-61, DR3-65, DR4-15
 when using SMU/PG selector, DR3-13
keyboard, 1-3, DR7-2, DR7-36-39
 direct keyboard calculation. *See* calculation.
 front panel connector, 1-5
 installing, 2-12
 problems, 6-6
key buffer, DR4-5, DR4-6
keys
 front-panel. *See* each individual key.
knob
 rotary. *See* rotary knob.
knob sweep measurements, 1-24, 3-37-42, DR3-2, DR3-16-35
 compliance. *See* compliance.
 copying setup to normal sweep, DR3-26
 delay time. *See* delay time.
 executing, 3-38
 hold time. *See* hold time.
 ranging. *See* ranging.
 restrictions, 3-39
 setting up, 3-38
 SMU resolution, DR1-6-15
 stopping, 3-42
 tasks, 3-37-42
 VMU ranges, DR1-20
KNOB SWEEP page, DR3-16, DR3-25-35
 measurement data status, 6-40
 setting up, 3-38
 softkey map, DR7-35
- L** leading-edge transition time
 ac stress, 3-60, DR4-91
 PGU, 3-25, DR1-23, DR4-29
leakage current
 of SMU/PG selector, DR3-15
 reducing, 3-6
LGT built-in function, DR6-21
limited auto ranging, DR3-67, DR3-69, DR4-32
limits. *See* compliance.

line

- auto analysis, 1-25, 4-34-42, DR4-44-49, DR6-52-53
- displaying and selecting lines, 4-22
- gradient mode, 1-25, 4-15, 4-36, DR4-44, DR4-46, DR4-55, DR6-49
- manual analysis, 1-25, 4-13ff, DR4-55-56, DR6-48-50
- normal mode, 1-25, 4-13, 4-34, DR4-45, DR4-55, DR6-49
- reading by read out function. *See* read out function.
- regression mode. *See* regression line.
- tangent mode. *See* tangent line.

linear

- sampling, DR2-15, DR2-16-18, DR4-26
- scale for graphic results, DR4-41
- sweep, DR2-4-7, DR4-21

line frequency

- selecting, DR4-110

LINE switch

- HP 41501A, 1-12
- HP 4155A/56A, 1-5

list display, DR4-66

- append measurements, DR4-66
- changing data variables. *See* data variables.
- changing sampling setup, DR4-80
- changing sampling stop conditions, DR4-81
- changing SMU pulse parameters, DR4-79
- changing sweep setup, DR4-77
- index numbers, DR4-66
- marker. *See* marker.
- printing. *See* printer.
- scrolling, 4-29
- setting up, 3-32, DR4-42, DR4-76

listing

- files on diskette. *See* diskette.

loading

- data from diskette. *See* diskette.
- data from memory. *See* internal memory.

logarithmic

- built-in function (10). *See* LGT.
- built-in function (e). *See* LOG.
- reverse log sampling. *See* thinned-out sampling.
- sampling, DR2-15, DR2-19-20, DR4-26
- scale for graphic results, DR4-41
- sweep, DR2-4-7, DR4-21

LOG built-in function, DR6-21

Long front-panel key, 1-6, DR3-79

Lotus 1-2-3

- creating reports, 1-27
- saving result data for, 5-12, DR4-73

low current measurement

- guard conductor, 3-6

- making connections, 3-6
- reducing leakage current, 3-6
- lowercase
 - entering. *See* blue front-panel key.
- low resistance measurement
 - making connections, 3-8
 - using Kelvin connections. *See* Kelvin connections.
- luminosity, DR4-122

M manual

- analysis of results. *See* measurement results.
- marker, 1-25
 - automatic analysis, 4-43, DR4-44, DR4-49, DR6-52-53
 - displaying on graph, 4-4-7
 - displaying on list, 4-30
 - manual analysis, DR4-52-56, DR4-68-69, DR6-43-46
 - moving on graph, 4-4-7
 - moving on list, 4-30
 - numeric value on graph, DR4-51
 - reading by read out function. *See* read out function.
- MARKER/CURSOR key group, 1-6
- MAVG built-in function, DR6-22
- MAX built-in function, DR6-23
- maximum
 - built-in function. *See* MAX.
- Meas** front-panel key, 1-5
- MEASURE: MEASURE SETUP page, DR4-32-34
 - INTEG TIME table, DR3-78
 - softkey map, DR7-11
- MEASUREMENT indicator, 1-7
- MEASUREMENT key group, 1-6
- measurement results
 - analyzing automatically. *See* DISPLAY: ANALYSIS SETUP page.
 - analyzing manually, 1-25, 4-3-32, DR4-50-82, DR6-42-51
 - data status, 6-40-42
 - data variable, DR6-4
 - file. *See* measurement setup/result file.
 - file operations. *See* file operations.
 - index data variable, DR6-5
 - printing. *See* printer.
 - setting up graphical display. *See* graphical display.
 - setting up list display. *See* list display.
- measurements
 - append. *See* append measurement.
 - current. *See* current measurement.
 - data status, 6-40-42
 - floating. *See* floating.
 - knob sweep. *See* knob sweep measurements.

range. *See* ranging.
 reducing measurement time, 6-14
 repeat. *See* repeat measurement.
 resistance. *See* resistance measurement.
 sampling. *See* sampling measurements.
 sequence. *See* output sequence.
 single. *See* single measurement.
 stress. *See* stress force.
 sweep. *See* sweep measurements.
 measurement setup file (INIT.MES), DR3-86
 measurement setup/result file (INIT.DAT), DR3-86
 measurement state, DR3-42, DR3-43
 changing to idle state, DR3-47, DR3-50
 changing to standby state, DR3-41
 series resistance (R-Box) switching, DR3-64
 measurement units
 ground unit. *See* GNDU.
 pulse generator unit. *See* PGU.
 source/monitor unit. *See* SMU.
 voltage monitor unit. *See* VMU.
 voltage source unit. *See* VSU.
 MEASURE: OUTPUT SEQUENCE page, DR4-35-37
 OUTPUT SEQUENCE table, DR3-45-51
 softkey map, DR7-12
 stress force sequence, DR3-8
 TRIGGER SETUP table, DR3-53
 MEASURE: PGU SETUP page, 3-24, DR4-29-31
 softkey map, DR7-10
 MEASURE: SAMPLING SETUP page, DR4-26-28
 constant output, 3-50
 sampling parameters, 3-48
 softkey map, DR7-9
 stop conditions, 3-52, DR2-26
 MEASURE: SWEEP SETUP page, DR4-21-25
 constant output, 3-20
 primary sweep source (VAR1), 3-14, DR2-5-7
 secondary sweep source (VAR2), 3-16, DR2-9
 SMU pulse, 3-21, DR2-13
 softkey map, DR7-8
 synchronous sweep source (VAR1'), 3-18, DR2-11
Medium front-panel key, 1-6, DR3-79
 MEM files. *See* internal memory.
 memory
 internal. *See* internal memory.
 MES suffix. *See* file types.
 MIN built-in function, DR6-24
 minimum
 built-in function. *See* MIN.
 MODE column, 3-12, 3-45, DR4-13

mounting
DUT. *See* DUT.
moving average
built-in function. *See* MAVG.
MPSMU, DR1-5
compliance. *See* compliance.
integration time. *See* integration time.
range/resolution, DR1-8-11
MS-DOS
saving in ASCII format, 1-26, 5-11-13, DR4-70-75

N needle
probing. *See* probing needle.
negative resistance
connecting R-BOX, 3-35, DR3-60
measuring, 3-35
oscillation problems, 6-10
neutral
for power cables, 2-5
noise
induced. *See* induced noise.
reducing effects on measurement values, 6-12
non-alphanumeric characters
entering. *See* editing.
numeric characters
entering. *See* editing
numeric constants, DR6-11
using in an expression, DR6-10

O offset
cancel. *See* zero offset cancel.
operation states, DR3-36-44
idle. *See* idle state.
measurement. *See* measurement state.
standby. *See* standby state.
stress. *See* stress force.
operator
arithmetic. *See* arithmetic operators.
options
option numbers and accessories, DR8-2-5
oscillation
high-frequency devices, 6-9
negative resistance devices, 6-10
output impedance
for PGUs, DR1-21, DR1-23, DR4-30, DR4-91
output sequence, DR3-45-51, DR4-35
sequential mode. *See* sequential mode.
simultaneous mode. *See* simultaneous mode.

standby. *See* standby state.
stress. *See* stress force.
overlay curve
graphical display. *See* graphical display.

P pacing
 setting up, DR4-111
PAGE CONTROL key group, 1-5
PageMaker
 creating reports, 1-27
page organization, DR4-2-123
panel
 front. *See* front panel.
 rear. *See* rear panel.
parity
 setting up, DR4-111
 Pause front-panel key, 1-8
PCL file suffix, DR4-97, DR4-118, DR5-11
PCL format
 printing/plotting, DR5-2-20
 relation to print/plot OUTPUT REGION, DR5-4
 saving results graph to file, DR5-17
 saving screen image to file, DR5-6
 saving setup data to file, DR5-9
 selecting color, DR4-118
 selecting PCL, DR4-118
peripherals. *See* accessories.
 plotter. *See* plotter.
 printer. *See* printer.
PGL file suffix, DR4-97, DR4-118, DR5-11
PGU, DR1-21-23, DR4-29-31
 connecting to connector plate, 2-28
 controlling selector. *See* SMU/PG selector.
 delay time. *See* delay time.
 idle state, DR3-36
 leading-edge transition time. *See* leading-edge transition time.
 output data variable, DR6-5
 output FCTN, DR4-14
 output impedance. *See* output impedance.
 output MODE, DR4-14
 pulse period. *See* pulse period.
 pulse width. *See* pulse width.
 range/resolution, DR1-21-23
 sampling measurement, DR2-15, DR2-24
 setting up for constant output, 3-25, DR4-29
 setting up for pulsed output, 3-24, DR4-29
 standby state, DR3-38
 stress modes, DR4-85

- stress state, 3-55, 3-60, DR3-5, DR3-9
- sweep measurement, DR2-12
- trailing-edge transition time. *See* trailing-edge transition time.
- trigger function. *See* trigger function
- Plot/Print** front-panel key, 1-8
 - Dump, 1-8, DR4-5, DR5-6
 - for graph of measurement data, DR5-17
 - for list of measurement data, DR5-13
 - for setup data, DR5-9
- plotter, DR5-2-20. *See also* printer.
 - setting up screen color/pen correspondence, DR4-123
- plugs
 - for power cable, 2-5
- power
 - cable, 2-5
 - compliance. *See* compliance.
 - HP 4155A/56A cannot be powered on, 6-5
 - line frequency. *See* line frequency.
 - requirements, 2-4
- precedence
 - operator. *See* arithmetic operators.
- primary sweep source (VAR1), DR2-3, DR2-5
 - compliance. *See* compliance.
 - pulse sweep, DR2-12-14
 - setting up, 3-14, DR4-14, DR4-21
- printer, 1-27, DR5-2-20
 - connecting, 2-49
 - dumping screen/page to, DR5-7
 - printing graph of measurement data, DR5-17
 - printing list of measurement data, DR5-13
 - printing setup data, DR5-9
 - resolution, DR4-118, DR5-4
 - saving print/plot data to file. *See* HP-GL or PCL format.
 - setting HP-IB address, 2-49, DR4-109
 - setting margins, DR5-3, DR5-8
 - setting output region, DR5-3, DR5-8
 - setting up, DR4-109, DR4-117
- PRINT/PLOT DATA LIST setup area, DR5-14
- PRINT/PLOT SETUP DATA setup area, DR5-10
- probing needle
 - connecting for low current measurements, 3-6
 - connecting for low resistance measurements, 3-8
 - connector plate connections. *See* connector plate.
- problems
 - installation, measurements, errors, 6-2-42
- product
 - numbers for options and accessories, DR8-2-5
- PRO suffix. *See* file types.
- pulse

generator unit. *See* PGU.
output by PGU. *See* PGU.
stress. *See* stress force.
sweep. *See* sweep measurements.
pulse period
 ac stress, 3-60, DR4-90
 PGU, 3-25, DR1-22, DR4-29
 SMU pulse output, 3-22, DR1-16, DR2-13
pulse width
 ac stress, 3-60, DR4-90
 PGU, 3-25, DR1-22, DR4-29
 SMU pulse output, 3-22, DR1-16, DR2-13
purging. *See* removing.

R ranging, DR3-2, DR3-67-70, DR4-32
 auto. *See* auto ranging.
 compliance. *See* compliance range.
 fixed. *See* fixed range.
 limited auto. *See* limited auto ranging.
 reducing measurement time, 6-14
R-BOX, 1-3, DR3-60-66
 cables, DR3-65
 connecting, 2-35-37, DR3-65
 increased measurement time due to R-BOX, 6-14
 Kelvin connections. *See* Kelvin connections.
 measuring negative resistance, 3-35
 options and accessories, DR8-4
 setting up, 3-34, DR4-15
read out functions, DR6-25-41
 using in an expression, DR6-10
rear panel
 HP 41501A. *See* SMU and PG expander.
 HP 4155A/4156A, 1-9
Recall, DR4-6
 green, DR4-5, DR4-6
receive pacing
 setting up, DR4-111
regression line, 1-25, DR6-50
 drawing automatically, 4-40, DR4-44, DR4-48
 drawing manually, 4-19, DR4-56
reliability testing. *See* stress force.
remote control
 setting up, DR4-109
removing
 file in internal memory. *See* internal memory.
 file on diskette. *See* diskette.
renaming
 file on diskette. *See* diskette.

Repeat front-panel key, 1-6, 3-33, DR3-43
for standby, 3-27
for trigger function, DR3-53, DR3-54
repeat measurement, 1-6
executing, 3-33
reports
creating, 1-27
residual resistance
canceling, 3-5, 3-8
resistance
low resistance. *See* low resistance measurement.
measurement. *See* resistance measurement.
negative. *See* negative resistance.
residual. *See* residual resistance.
series. *See* R-BOX.
using R-BOX. *See* R-BOX.
resolution
PGU. *See* PGU.
printer, DR4-118, DR5-4
SMU. *See* SMU.
VMU. *See* VMU.
VSU. *See* VSU.
results
measurement. *See* measurement results.
reverse log sampling. *See* thinned-out sampling.
revision
software. *See* software revision.
rise time. *See* leading-edge transition time.
rotary knob, 1-6
RS-232-C
serial interface. *See* serial interface.
*RST command
initial settings, DR3-85
Run front-panel key, 1-8

S sampling measurements, 1-23, 3-43-52, DR2-15-27
changing values from GRAPHICS page, DR4-63
changing values from LIST page, DR4-80
defining units, 3-45, DR4-14
executing, 3-33
filter, DR3-80
hold time. *See* hold time.
linear. *See* linear sampling.
logarithmic. *See* logarithmic sampling.
output sequence. *See* output sequence.
ranging. *See* ranging.
sampling completion conditions, DR2-26
sequential mode, DR2-24, DR3-45-48, DR4-36

- setup overview, 3-43
- simultaneous mode, DR2-25, DR3-45, DR3-49-51, DR4-36
- SMU resolution, DR1-6-15
- stop conditions, 3-51, DR2-26, DR4-27, DR4-64, DR4-81
- stopping, 3-33
- tasks, 3-43-52
- thinned-out. *See* thinned-out sampling.
- time data variable, DR6-5
- unexpected measurement data, 6-14
- saturation, DR4-122
- Save** front-panel key, 5-7-10, DR4-98
- saving
 - data to diskette. *See* diskette.
 - data to memory. *See* internal memory.
 - print/plot data to diskette. *See* HP-GL or PCL format.
- scaling, DR6-51
 - auto for graph. *See* graphical display.
- scientific constants, DR6-12
 - using in an expression, DR6-10
- SCREEN DUMP setup area, DR5-7
- screen image
 - dumping to diskette. *See* diskette.
 - dumping to printer. *See* printer.
- screens. *See* page organization.
- secondary sweep source (VAR2), DR2-3, DR2-9
 - compliance. *See* compliance.
 - pulse sweep, DR2-12-14
 - setting up, 3-16, DR4-14, DR4-22
- selector. *See* SMU/PG selector.
- self-calibration. *See* calibration.
- self-test, DR4-113
- sequence
 - output. *See* output sequence.
- sequential mode
 - sampling. *See* sampling measurements.
 - sweep. *See* sweep measurements.
- serial interface
 - connector on HP 4155A/56A, 1-11
 - RS-232-C. *See* RS-232-C.
 - setting parameters, DR4-110
 - setting up for printer, DR4-117
- serial number
 - HP 41501A, 1-13
 - HP 4155A/56A, 1-10
- series resistance. *See* R-BOX.
- setting up
 - printer. *See* printer.
- setup info
 - file. *See* measurement setup file.

file operations. *See* file operations.
 printing. *See* printer.
 shielding box
 installing connector plate, 2-13, 2-22-28
 installing R-Box, 2-37
 installing SMU/PG selector, 2-41
 interlock terminal, 2-17
Short front-panel key, 1-6, DR3-78
 shorting bar
 between circuit common and frame ground, 1-10
 simultaneous mode
 sampling. *See* sampling measurements.
Single front-panel key, 1-6, 3-33, DR3-3, DR3-43
 for knob sweep, 3-42, DR4-5
 for standby, 3-27
 for trigger function, DR3-53
 single measurement, 1-6
 executing, 3-33
 single sweep, DR2-4, DR4-21
 site
 requirements, 2-3-7
 slope. *See* line gradient.
 SMU, DR1-4-17
 compliance. *See* compliance.
 connecting R-BOX. *See* R-BOX.
 connecting to connector plate, 2-24
 constant pulse, 3-21
 controlling selector. *See* SMU/PG selector.
 filter, DR3-80, DR4-89
 high power. *See* HPSMU.
 high resolution. *See* HRSMU.
 idle state, DR3-36
 integration time. *See* integration time.
 Kelvin connections. *See* Kelvin connections.
 medium power. *See* MPSMU.
 output FCTN, DR4-14
 output MODE, DR4-14
 pulsed sweep, 3-21, DR1-16, DR2-12-14, DR4-14, DR4-24
 pulse period. *See* pulse period.
 pulse width. *See* pulse width.
 range/resolution, DR1-4-17
 series resistance connection, DR3-61, DR4-15
 standby state, DR3-38
 stress modes, DR4-85
 SMU and PG expander, 1-3, 1-4
 connector plate, 2-16
 front panel, 1-12
 GNDU, DR1-3
 installing, 2-9

- option description, 1-4, 1-13
- options and accessories, DR8-3
- PGUs, DR1-21
- power on problems, 6-6
- rear panel, 1-12
- SMUs, DR1-5
- trigger output, DR3-58
- SMU/PG selector, 1-3, DR3-3, DR3-13-15
 - coaxial cable to use, 2-28
 - controlling, 3-66, DR4-87
 - installing, 2-38-47
 - installing expander, 2-39, 2-45
 - options and accessories, DR8-3
- softkey
 - maps, DR7-2-35
- software revision
 - checking, DR4-112
- source/monitor unit. *See* SMU.
- special characters
 - entering. *See* editing.
- specifications, DR9-2-27
- spreadsheet
 - saving result data for, 5-11-13, DR4-70-75
- SQRT built-in function, DR6-24
- square root
 - built-in function. *See* SQRT.
- staircase sweep. *See* sweep measurements.
- stamping
 - time. *See* sampling measurements.
- Standby** front-panel key, 1-6, 3-27, DR3-41, DR3-43
- standby state, DR3-38, DR3-43
 - for stress channels, DR3-5, DR3-42
 - indicator, 1-7
 - output sequence, DR3-41
 - series resistance (R-Box) switching, 3-34, DR3-61, DR3-64, DR4-15
 - setting up, 3-27, DR4-15
- states. *See* operation states.
- status
 - indicators, DR4-7
 - measurement data, 6-40-42
- step delay time
 - for externally triggered measurements, DR3-54
 - when triggering external instrument, DR3-57
- stop bits
 - setting up, DR4-111
- stop conditions. *See* sampling measurements.
- Stop** front-panel key, 1-6, 3-33, DR3-43
 - for knob sweep, 3-42
 - for sampling, 3-51, DR2-26

- for standby, 3-27
- for zero cancel offset, DR4-5
- storing. *See* saving.
- stray capacitance
 - of SMU/PG selector, DR3-15
- STRESS: CHANNEL DEFINITION page, DR3-3, DR4-84-87
 - setting CHANNELS, 3-55
 - setting SMU/PG selector, 3-66, DR3-13
 - softkey map, DR7-18
- stress force, 1-24, 3-53-67, DR3-2, DR3-3-15
 - abnormal status. *See* abnormal status.
 - ac (pulse) stress, 3-53, 3-60, DR3-3, DR4-85
 - available units, DR3-5
 - constant (CONST) channels, DR4-86, DR4-89
 - dc stress, 3-53, 3-62, DR3-3, DR4-85
 - delay time. *See* delay time.
 - disabling stress source channels, 3-55, DR4-86
 - filter, DR3-80, DR4-89
 - from more than 4 channels, DR3-5
 - hold time. *See* hold time.
 - output sequence, DR3-8-11
 - PGU cautions, DR3-9
 - setting condition/timing, 3-57, DR4-92
 - setting SMU/PG selector, 3-66, DR4-87
 - setting up stress source channels, 3-55, DR3-3, DR4-84
 - setup overview, 3-53
 - state, DR3-10, DR3-42, DR3-43, DR3-64
 - stress mode, DR3-7, DR4-88
 - synchronous (SYNC) channels, DR3-5, DR4-86, DR4-89
 - tasks, 3-53-67
 - trigger function. *See* trigger function.
- Stress** front-panel key, 1-5, 1-6, DR3-3, DR3-13, DR3-43
 - for standby, 3-27
- stress setup file (INIT.STR), DR3-86
- STRESS: STRESS FORCE page, 3-64, DR4-92-93
 - measurement data status, 6-42
 - softkey map, DR7-20
- STRESS: STRESS SETUP page, DR4-88-91
 - setting Abnormal Status, 3-57, DR3-12
 - setting ACCUMULATED STRESS, 3-58
 - setting ac (pulse) stress, 3-60
 - setting dc stress, 3-62
 - setting STRESS MODE, 3-57
 - softkey map, DR7-19
- STR suffix. *See* file types.
- subordinate sweep measurement. *See* sweep measurements.
- suffix. *See* file types.
- sweep measurements, 1-22, 3-10-36, DR2-3-14
 - basic sweep measurement, DR2-3, DR2-4-7

changing values from GRAPHICS page, DR4-60
 changing values from LIST page, DR4-77
 comparison to knob sweep, DR3-17
 compliance. *See* compliance.
 copying knob sweep settings, DR3-26
 defining units, 3-12, DR4-14
 delay time. *See* delay time.
 disabling units, 3-12
 executing, 3-33
 hold time. *See* hold time.
 output sequence. *See* output sequence.
 ranging. *See* ranging.
 sequential mode, DR3-45-48, DR4-36
 setting up constant output, 3-20
 setting up PGUs, 3-24
 setting up SMU pulsed output, 3-21, DR1-16, DR2-12-14, DR4-24, DR4-62, DR4-79
 setup overview, 3-10
 stopping, 3-33
 subordinate sweep measurement, DR2-3, DR2-8-9
 synchronous sweep measurement, DR2-3, DR2-10-11
 tasks, 3-10-36
 trigger function. *See* trigger function.
 VAR1. *See* primary sweep source.
 VAR1'. *See* synchronous sweep source.
 VAR2. *See* secondary sweep source.
 synchronous sweep measurement. *See* sweep measurements.
 synchronous sweep source (VAR1'), DR2-3, DR2-11
 compliance. *See* compliance.
 pulse sweep, DR2-12-14
 setting up, 3-18, DR4-14, DR4-23
 synchronous (SYNC) stress output. *See* stress force.
 SYSTEM: COLOR SETUP page, DR4-121-123
 softkey map, DR7-34
 SYSTEM: CONFIGURATION page, DR4-112
 system controller. *See* controller.
 SYSTEM: FILER page, 5-4, DR4-95-108
 FILE CATALOG area, 5-5
 softkey map, DR7-21-26
System front-panel key, 1-5
 for filer, 5-4, 5-5, 5-18-27
 SYSTEM: MISCELLANEOUS page, DR4-109-111
 softkey map, DR7-27
 SYSTEM: PRINT/PLOT SETUP page, DR4-117-120
 softkey map, DR7-29
 SYSTEM: SELF-CALIBRATION/DIAGNOSTICS page, DR4-113-116
 error number meaning, 6-17-24
 softkey map, DR7-28

T tangent line, 1-25, DR6-50
drawing automatically, 4-38, DR4-44, DR4-47
drawing manually, 4-17, DR4-56

temperature
effects on measurement values, 6-12, 6-13
site requirements. *See* environmental requirements.

test
calibration. *See* calibration.
diagnostics. *See* diagnostics.
self. *See* self-test.

test device. *See* DUT.

test fixture, 1-3
cables, 3-4
connecting by HP 16435A Interlock Cable Adapter, 2-18
HP 16088B, 2-18, 2-34
installing, 2-29-34
interlock function. *See* interlock function.
mounting DUT. *See* DUT.
not stable, 6-7
opening lid with high voltage, DR3-44
options and accessories, DR8-3

thermal drift
preventing, 6-13, DR2-3

thinned-out sampling, DR2-15, DR2-21-23

threshold voltage
auto analysis, 1-25

time
data variable. *See* sampling measurements.
domain measurements. *See* sampling measurements.
stamping. *See* sampling measurements.

trailing-edge transition time
ac stress, 3-60, DR4-91
PGU, 3-25, DR1-23, DR4-29

transistor
bipolar. *See* bipolar.
FET. *See* FET.

transmit pacing
setting up, DR4-111

trigger function, DR3-2, DR3-52-59, DR4-36
delay time. *See* delay time.
for PGUs, 1-14, DR1-23, DR3-58
for sampling, DR3-54, DR4-36
for stress, DR3-5, DR3-56, DR4-87
for sweep, DR3-54, DR3-56, DR4-36
from external instrument, DR3-52-54, DR4-36
terminals on HP 4155A/56A, 1-11
to external instrument, DR3-52, DR3-56, DR4-36
TRG status indicator, DR4-7

troubleshooting

installation, measurements, errors, 6-2-42
TXT suffix. *See* file types.

U uppercase
entering. *See* blue front-panel key.
user-defined
initial settings. *See* initial settings.
User File key group, 5-3, 5-4
Get. *See* **Get** front-panel key.
Save. *See* **Save** front-panel key.
user function, DR4-16, DR6-6
defining, 3-28
user variables, DR4-18, DR6-7

V value at
built-in function. *See* AT.
VAR1. *See* primary sweep source.
VAR1'. *See* synchronous sweep source.
VAR2. *See* secondary sweep source.
variable names
data variables. *See* data variables.
INAME. *See* INAME.
VNAME. *See* VNAME.
ventilation
requirements, 2-7
VMU, DR1-19-20
connecting to connector plate, 2-27
output FCTN, DR4-14
output MODE, DR4-14
range/resolution, DR1-19
VNAME, 3-12, 3-45, DR4-12, DR6-4
voltage
compliance. *See* compliance.
monitor unit. *See* VMU.
names. *See* VNAME.
source unit. *See* VSU.
Voltage Selector
HP 41501A, 1-13
HP 4155A/56A, 1-10
VSU, DR1-18
connecting to connector plate, 2-27
idle state, DR3-36
output FCTN, DR4-14
output MODE, DR4-14
range/resolution, DR1-18
standby state, DR3-38
stress modes, DR4-85

W wait time
for measurement units, DR4-34
wildcard characters
file operations. *See* file operations.
wire
to use when connecting DUT to connector plate, 2-22-28

X X axis. *See* axis.
Xon\Xoff handshake
setting up, DR4-111

Y Y1 axis. *See* axis.
Y2 axis. *See* axis.

Z Zero Check terminal
of HP 4155A/56A, 1-11
zero offset cancel, DR4-5, DR4-33
Z status indicator, DR4-7
zooming
graphical display. *See* graphical display.