



**OPERATING AND SERVICE MANUAL**

-hp- Part No. 00350-90203

**ATTENUATOR SET  
MODEL 350D**

Serials Prefixed: 0220-

Valuetronics International, Inc.  
1-800-552-8258  
**MASTER COPY**

Copyright Hewlett-Packard Company 1962  
P.O. Box 301, Loveland, Colorado, 80537 U.S.A.

Printed: MAR 1971

**TABLE OF CONTENTS**

<p>Section  <b>I GENERAL INFORMATION</b> ..... 1-1                  1-1. Introduction ..... 1-1                  1-3. Description ..... 1-1                  1-6. Uses ..... 1-1                  1-8. Instrument and Manual Identification ..... 1-1</p> <p>Section  <b>II INSTALLATION</b> ..... 2-1                  1-1. Introduction ..... 2-1                  2-3. Initial Inspection ..... 2-1                  2-5. Installation ..... 2-1                  2-7. Combining Case ..... 2-1                  2-9. Adapter Frame ..... 2-1                  2-11. Repackaging for Shipment ..... 2-1</p> <p>Section  <b>III OPERATING INSTRUCTIONS</b> ..... 3-1                  3-1. Operating Considerations ..... 3-1                  3-2. Impedance ..... 3-1                  3-4. Leads and Connections ..... 3-1                  3-6. Input Power Limitations ..... 3-1                  3-8. Operating Procedures ..... 3-1                  3-9. Matched Impedance ..... 3-1                  3-12. Use of Impedance-Matching Network ..... 3-1                  3-14. Matching at the Input ..... 3-1                  3-16. Matching at the Output ..... 3-3</p>	<p>Section  <b>IV THEORY OF OPERATION</b> ..... 4-1                  4-1. General ..... 4-1                  4-3. Attenuation Expressed in Decibels ..... 4-1                  4-4. Power and Voltage Ratios ..... 4-1                  4-7. Reference for dB ..... 4-1</p> <p>Section  <b>V MAINTENANCE</b> ..... 5-1                  5-1. Introduction ..... 5-1                  5-3. Instrument Cover Removal ..... 5-1                  5-5. Component Replacement ..... 5-1                  5-6. Removal of Attenuators ..... 5-1                  5-8. Replacement of Resistors ..... 5-1                  5-10. DC Performance Test ..... 5-1                  5-13. AC Performance Test ..... 5-2                  5-16. Adjustment Procedure ..... 5-4</p> <p>Section  <b>VI REPLACEABLE PARTS</b> ..... 6-1                  6-1. Introduction ..... 6-1                  6-4. Ordering Information ..... 6-1                  6-6. Non Listed Parts ..... 6-1</p> <p><b>APPENDICES</b>                  A. CODE LIST OF MANUFACTURERS                  B. SALES AND SERVICE OFFICES</p>
------------------------------------------------------------------------------------------------------------------------------------------------------------------------------------------------------------------------------------------------------------------------------------------------------------------------------------------------------------------------------------------------------------------------------------------------------------------------------------------------------------------------------------------------------------------------------------------------------------------------------------------------------------------------------------------------------------------------------------------------------------------------------------------------------------------------------------------------------------------------------------------------------------------------------------------------------------------------------------------------------------------------------------------------------------------------------------------------------------------------------------------------------------------------------------------------------------------------------------------------------------------------------	---------------------------------------------------------------------------------------------------------------------------------------------------------------------------------------------------------------------------------------------------------------------------------------------------------------------------------------------------------------------------------------------------------------------------------------------------------------------------------------------------------------------------------------------------------------------------------------------------------------------------------------------------------------------------------------------------------------------------------------------------------------------------------------------------------------------------------------------------------------------------------------------------------------------------------------------------------------------------------------------------------------------------------------------------------------------------------------------------------------------------------------------------------------------------------------

**LIST OF TABLES**

Table	Page
1-1. Specifications .....	1-1
3-1. Attenuator Factors .....	3-1
3-2. Model 350D Matching Network Values .....	3-2
5-1. Test Equipment Required .....	5-0
5-2. DC Performance Test, Supplemental Data .....	5-3
5-3. AC Performance Test, Supplemental Data .....	5-4
5-4. 1 dB Step Attenuator Padding Data .....	5-4
5-5. 10 dB Attenuator Padding Data .....	5-5
6-1. Replaceable Parts .....	6-2

**LIST OF ILLUSTRATIONS**

Number	Page
1-1. Model 350D Attenuation Set .....	1-0
3-1. Model 350D Typical Applications .....	3-2
3-2. Model 350D Matching Network .....	3-3
4-1. Model 350D Simplified Circuit .....	4-1
5-1. Cabinet Removal .....	5-0
5-2. Model 350D Rear View (Rear Panel Removed) .....	5-1
5-3. Assembly A1 Component Identification .....	5-2
5-4. Assembly A2 Component Identification .....	5-2
5-5. DC Performance Test Setup .....	5-3
5-6. AC Performance Test Setup .....	5-3
5-7. Model 350D Schematic Diagram .....	5-6

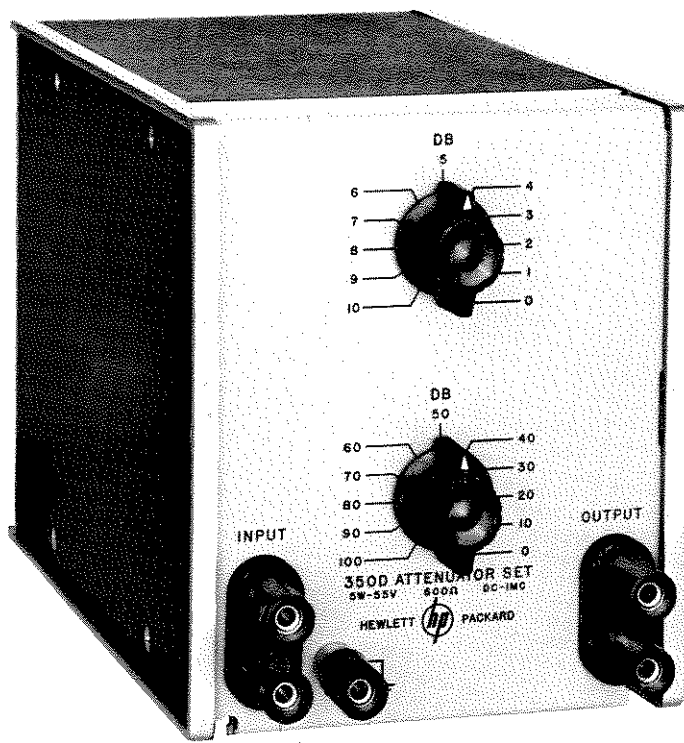


Figure 1-1. Model 350D Attenuator Set

## SECTION I

### GENERAL INFORMATION

#### 1-1. INTRODUCTION.

1-2. This section contains information relating to the description and uses of the Model 350D Attenuator Set. Instrument serial numbering and manual identification are also discussed.

#### 1-3. DESCRIPTION.

1-4. The Model 350D is an accurate, wide frequency range attenuator which provides attenuation from 0 dB to a maximum of 110 dB. The Model 350D will dissipate a maximum of 5 watts in continuous use with good accuracy from dc to 1 MHz. The Model 350D consists of two sections: (1) 100 dB adjustable in 10 dB-steps, and (2) 10 dB, adjustable in 1-dB steps. The two sections are additive, allowing attenuation in 1-dB or 10-dB increments over the full 110-dB range. A floating input is included which isolates the attenuator circuit ground from cabinet ground, allowing an ac input to be at a dc level.

1-5. The -hp- modular enclosure design allows convenient conversion from a bench model to a model which mounts in a standard 19-inch rack. The modular design provides the mechanical stability necessary for stacking instruments on a flat surface.

#### 1-6. USES.

1-7. Wide frequency range, high power dissipation capability, and accuracy make the Model 350D useful in such applications as attenuating an oscillator output, checking gain and frequency response of an amplifier, and determining transmission loss. Use of the Model 350D is possible with a mismatched load or source impedance. Information on impedance matching networks and the attenuation losses involved are given in section III.

#### 1-8. INSTRUMENTS AND MANUAL IDENTIFICATION.

1-9. Hewlett-Packard uses a two-section serial number. The first section (prefix) identifies a series of instruments. The last section (suffix) identifies a particular instrument within the series. If a letter is included with the serial number, it identifies the country in which the instrument was manufactured. If the serial prefix of your instrument differs from the one on the title page of this manual, a change sheet will be supplied to make this manual compatible with newer instruments. All correspondence with Hewlett-Packard should include the complete serial number.

Table 1-1. Specifications

<p><b>ATTENUATION:</b> 110 dB in 10 dB and 1 dB steps (additive)</p> <p><b>ACCURACY, 10-DB SECTION:</b> From dc to 100 KHz, error is less than <math>\pm 0.125</math> dB at any step; from 100 KHz to 1 MHz, error is less than <math>\pm 0.25</math> dB at any step.</p> <p><b>ACCURACY, 100-DB SECTION:</b> From dc to 100 KHz, error is less than <math>\pm 0.25</math> dB at any step up to 70 dB, less than <math>\pm 0.5</math> dB above 70 dB; from 100 KHz to 1 MHz, error is less than <math>\pm 0.5</math> dB at any step up to 70 dB; less than <math>\pm 0.75</math> dB above 70 dB.</p> <p><b>POWER CAPACITY:</b> In 600 ohms: 5 watts (55 Vdc or rms) maximum continuous duty</p> <p><b>DIMENSIONS:</b> Module 6-3/32 in. high, 5-1/8 in. wide, 8 in. deep</p>
------------------------------------------------------------------------------------------------------------------------------------------------------------------------------------------------------------------------------------------------------------------------------------------------------------------------------------------------------------------------------------------------------------------------------------------------------------------------------------------------------------------------------------------------------------------------------------------------------------------------------------------------------------------------------------------------------------------------------------------------------------------------------------------------------

## SECTION II INSTALLATION

### 2-1. INTRODUCTION.

2-2. This section contains information and instructions necessary for the installation and shipping of the Model 350D Attenuator Set. Included are initial inspection procedures, installation information, and instructions for repackaging for shipment.

### 2-3. INITIAL INSPECTION.

2-4. The -hp- Model 350D Attenuator Set received a careful mechanical and electrical inspection before shipment. As soon as the Model 350D is received, verify that the contents are intact and as ordered. Although the instrument should be free of marks and scratches and in perfect electrical condition, it should be inspected for any physical damage which may have been incurred in transit. Also test the electrical performance of the instrument using the procedures given in Paragraphs 5-10 thru 5-15. If any physical damage or electrical deficiency is found, refer to the warranty on the inside front cover of this manual. Should shipping of the instrument become necessary, refer to Paragraph 2-11 for repackaging and shipping instructions.

### 2-5. INSTALLATION.

2-6. The Model 350D is a submodular unit suitable for bench top use. However, when used in combination with other submodular units it can be bench or rack mounted. The -hp- combining case and adapter frame are designed for this purpose.

### 2-7. COMBINING CASE.

2-8. The combining case is a full-module unit which accepts various combinations of submodular units. Being a full-module unit, it can be bench or rack mounted and is analogous to any full-module instrument.

### 2-9. ADAPTER FRAME.

2-10. The adapter frame is a rack frame that accepts any combination of submodular units. It can be rack mounted only. For additional information, address inquiries to your -hp- Sales and Service Office. (See Appendix B for office locations.)

### 2-11. REPACKAGING FOR SHIPMENT.

2-12. The following paragraphs contain a general guide for repackaging for shipment. Refer to Paragraph 2-13 if the original container is to be used; 2-14 if it is not. If you have any questions, contact your local -hp- Sales and Service office.

#### NOTE

If the instrument is to be shipped to Hewlett-Packard for service or repair, attach a tag to the instrument identifying the owner and indicate the service or repair to be accomplished; include the model number and full serial number of the instrument. In any correspondence, identify the instrument by model number, serial number, and serial number prefix.

2-13. If original container is to be used, proceed as follows:

- a. Place instrument in original container if available. If original container is not available, one can be purchased from your nearest -hp- Sales and Service Office.
- b. Ensure that the container is well sealed with strong tape or metal bands.

2-14. If original container is not to be used, proceed as follows:

- a. Wrap instrument in heavy paper or plastic before placing in an inner container.
- b. Use packing material around all sides of instrument and protect panel face with cardboard strips.
- c. Place instrument and inner container in a heavy carton or wooden box and seal with strong tape or metal bands.
- d. Mark shipping container with "DELICATE INSTRUMENT," "FRAGILE," etc.

Table 3-1. Attenuator Factors

dB	Attenuation Factor,	dB	Attenuation Factor,	dB	Attenuation Factor,
0	1.0000	37	.01413	74	.0001995
1	.8913	38	.012590	75	.0001778
2	.7943	39	.011220	76	.00015850
3	.7079	40	.010000	77	.00014130
4	.6310	41	.008913	78	.00012590
5	.5623	42	.007943	79	.00011220
6	.5012	43	.007079	80	.00010000
7	.4467	44	.006310	81	.00008913
8	.3981	45	.005623	82	.00007943
9	.3548	46	.005012	83	.00007079
10	.3162	47	.004467	84	.00006310
11	.2818	48	.003981	85	.00005623
12	.2512	49	.003548	86	.00005012
13	.2239	50	.003162	87	.00004467
14	.1995	51	.002818	88	.00003981
15	.1778	52	.002512	89	.00003548
16	.1585	53	.002239	90	.00003162
17	.1413	54	.001995	91	.00002818
18	.1259	55	.001778	92	.00002512
19	.1122	56	.001585	93	.00002239
20	.1000	57	.001413	94	.00001995
21	.08913	58	.001259	95	.00001778
22	.07943	59	.001122	96	.00001585
23	.07079	60	.001000	97	.00001413
24	.06310	61	.0008913	98	.00001259
25	.05623	62	.0007943	99	.00001122
26	.05012	63	.0007079	100	.000010000
27	.04467	64	.0006310	101	.000008913
28	.03981	65	.0005623	102	.000007943
29	.03548	66	.0005012	103	.000007079
30	.03162	67	.0004467	104	.000006310
31	.02818	68	.0003981	105	.000005623
32	.02512	69	.0003548	106	.000005012
33	.02239	70	.003162	107	.000004467
34	.01995	71	.0002818	108	.000003981
35	.01778	72	.0002512	109	.000003548
36	.01585	73	.0002239	110	.000003162



## SECTION III

### OPERATING INSTRUCTIONS

#### 3-1. OPERATING CONSIDERATIONS.

#### 3-2. IMPEDANCE.

3-3. For full accuracy and ease of application, the source and load impedances should match the impedance at the INPUT and OUTPUT terminals of the Model 350D. When source and load impedances are the same as the impedance of the Model 350D, the amount of attenuation in the circuit is the sum of the two attenuator-knob settings. If an impedance-matching network is used (see Paragraph 3-12), the amount of insertion loss must be added to the Model 350D setting to obtain the amount of attenuation between source and load.

#### 3-4. LEADS AND CONNECTIONS.

3-5. When making connections to the Model 350D and the other instruments in the test of measurement setup, use shielded (coaxial) leads as short in length as possible. Failure to use shielded leads may result in attenuation of a different value from that set on the Model 350D controls, especially at high attenuator settings and at frequencies above 100 KHz. The shunting effect of stray capacitance (leads, terminals, etc) is a factor at high frequencies unless shielded connections and short lead lengths are used. Three connectors at the INPUT terminals allow an ac input to be floated at a dc potential. Connect all inputs to the top and lower left INPUT terminals. If both input leads are shielded, connect the shield to the lower right terminal (marked  $\perp$ ) which is at cabinet ground potential. If an input is ac, but at some dc level, the load on the Model 350D must also be floating, i.e. not connected to cabinet ground potential ( $\perp$ ).

#### 3-6. INPUT POWER LIMITATIONS.

3-7. Do not apply more than 5 watts maximum to the Model 350D INPUT terminals. For the Model 350D (input impedance, 600 ohms), 5 watts corresponds to approximately 55 volts (dc or rms).



The Model 350D may be damaged by applying power to the OUTPUT terminals or by applying more than 5 watts to the INPUT terminals.

#### 3-8. OPERATING PROCEDURES.

#### 3-9. MATCHED IMPEDANCE.

3-10. When the Model 350D INPUT and OUTPUT termi-

nals are terminated properly, attenuation is the sum of the 10 DB and the 100 DB control settings. The voltage at the output of the Model 350D may be determined if input voltage (or input dB level) and the amount of attenuation inserted by the Model 350D are known. Table 3-1 shows the attenuation factor ( $A_f$ ) over the attenuation range of the Model 350D. The method for finding the input level in dBm, is explained in Section IV. To find the voltage at the output terminals proceed as follows:

- a. Determine the input voltage to the Model 350D and the amount of attenuation set on the Model 350D.
- b. Locate the amount of attenuation in the dB column of Table 3-1 and read the corresponding attenuation factor.
- c. To calculate the output voltage, multiply the input voltage by the attenuation factor. See Paragraph 3-11 for an example.

3-11. In Figure 3-1 A and B the Model 350D is shown connected to a matching source and load. In both cases the Model 350D is set to attenuate the signal by 24 dB. The attenuation factor for 24 dB from Table 3-1 is 0.0631 and the output voltage, for the conditions shown in Figure 3-1A, is then:

$$V_{out} = (55v) (0.0631) = 3.47 \text{ volts}$$

For Figure 3-1B the attenuation factor is the same as for Figure 3-1A and the output voltage is:

$$V_{out} = (50v) (0.0631) = 3.155 \text{ volts}$$

#### 3-12. USE OF IMPEDANCE-MATCHING NETWORK.

3-13. NEED FOR INPUT MATCH. An impedance-matching network is necessary between source and Model 350D attenuator under the following conditions:

- a. Source frequency is 100 KHz or above.
- b. Model 350D is set for less than 20-dB attenuation.
- c. Source output frequency response is affected by mismatched impedance.
- d. Source output is monitored by meter which is accurate only when source operates into matched load.

#### 3-14. MATCHING AT THE INPUT.

- a. When the source is not affected by mismatch and source impedance is lower than that of Model



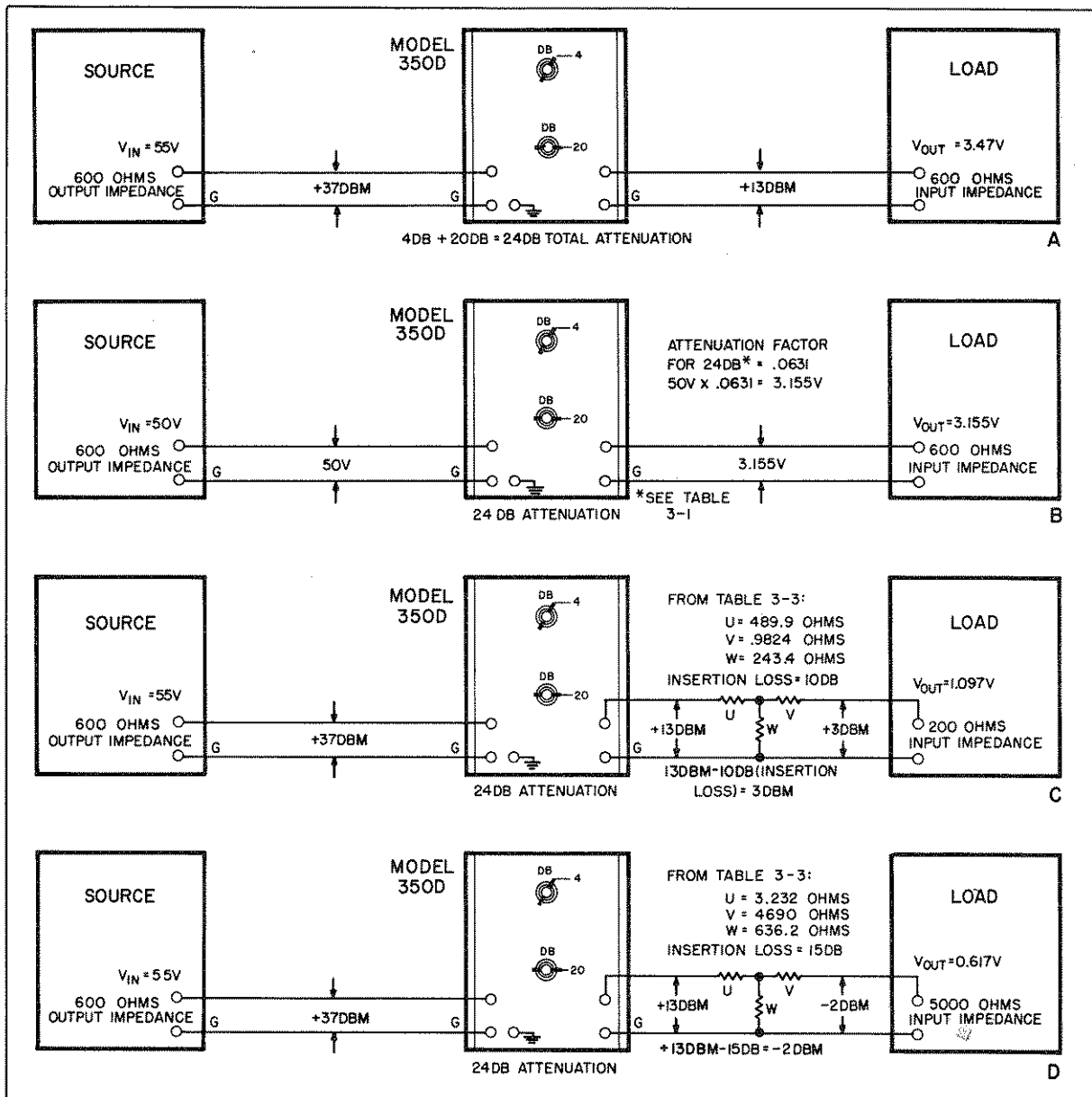


Figure 3-1. Model 350D Typical Applications

Table 3-2. Model 350D Matching Network Values

Z (ohms)	U (ohms)	V (ohms)	W (ohms)	Insertion Loss
50	574.5	2.111	49.92	17 dB
200	489.9	.9824	243.4	10 dB
500	245.2	13.22	1148.0	4 dB
2000	33.06	1674.0	670.8	11 dB
5000	3.232	4690.0	636.2	15 dB

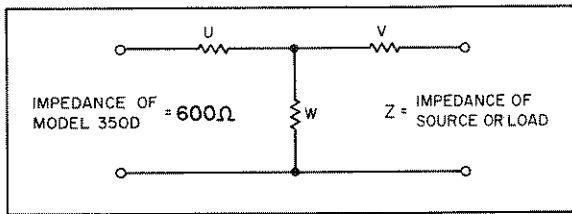


Figure 3-2. Model 350D Matching Network

350D, a series resistor may be used between source and attenuator. The resistor value should be the difference between Model 350D impedance and source impedance.

- b. Except for the condition stated in a., a resistive impedance-matching network should be used. Resistors should be deposited film or carbon type. Also, better accuracy is obtained if the network is enclosed in a shielded container and connecting leads are kept short. Data on impedance-matching networks for the Model 350D are given in Figure 3-2 and Table 3-2. The amount of insertion loss is included in Table 3-2.

**3-15. NEED FOR OUTPUT MATCH.** To maintain the rated attenuation accuracy of the Model 350D, the impedance of the load must match the output impedance of the Model 350D. When the load also must be terminated in its matching impedance, a resistive matching network must be used. When mismatch does not affect the load, under some

conditions the required impedance match for the Model 350D can be obtained by use of a single resistor. Conditions under which a resistor can be used, and use of matching networks, are discussed below.

### 3-16. MATCHING AT THE OUTPUT.

- a. When the impedance of the load is lower than that of the Model 350D and the load is not affected by a mismatch, impedance match for the Model 350D output can be obtained by inserting a resistor between 350D output and load. Resistor value should be the difference between the Model 350D output impedance and the load impedance.
- b. When the impedance of the load is much higher than that of the Model 350D, on the order of 50,000 ohms or more, impedance match for the Model 350D can be obtained by using a shunting resistor across the Model 350D output. For the Model 350D, the shunting resistor should be 600 ohms.
- c. Networks may be used which provide the Model 350D and its load with an impedance match. Network data and connections are given in Figure 3-2 and Table 3-2. Figure 3-1C shows a network for matching a 200-ohm load and the 600-ohm Model 350D Output; Figure 3-1D shows a network for matching a 5000-ohm load and the 600-ohm Model 350D Output.

## SECTION IV THEORY OF OPERATION

### 4-1. GENERAL.

4-2. The Model 350D is shown in simplified schematic form in Figure 4-1. In the complete schematic (Figure 5-7) note that each attenuator section, 10 dB and 100 dB, is composed of four segments, each basically the same configuration as shown in Figure 4-1. The attenuator circuit ground is isolated from the cabinet by capacitor C1, to allow a floating input, i.e. an ac signal at a dc level.

### 4-3. ATTENUATION EXPRESSED IN DECIBELS.

### 4-4. POWER AND VOLTAGE RATIOS.

4-5. The basic equation for computing attenuation in decibels is based on a power ratio where P = power, V = voltage, and R = resistance:

$$\text{no. of decibels} = 10 \log_{10} \left( \frac{P_1}{P_2} \right) \quad (1)$$

Since power is expressed as:  $P = \frac{V^2}{R}$  (2)

Equation (1) may be rewritten as:

$$\text{no. of dB} = 10 \log_{10} \left( \frac{\frac{V_1^2}{R_1}}{\frac{V_2^2}{R_2}} \right) \quad (3)$$

and if  $R_1 = R_2$  then,

$$\text{no. of dB} = 10 \log_{10} \left( \frac{V_1}{V_2} \right)^2 \quad (4)$$

The basic rules for exponents of logarithms then allow equation (4) to be written as:

$$\text{no. of dB} = 20 \log_{10} \left( \frac{V_1}{V_2} \right) \quad (5)$$

4-6. The values of attenuation factor given in table 3-1 are based on a voltage ratio assuming the resistance at the input and output is the same. Values for  $A_f$  are computed using equation (5) where  $V_1 = V_{in}$  and  $V_2 = V_{out}$ :

$$V_{out} = V_{in} A_f \text{ or } \frac{V_{in}}{V_{out}} = \frac{1}{A_f} \quad (6)$$

Then substituting equation (6) in equation (5) gives

$$\text{no. of dB} = 20 \text{ dB}_{10} \left( \frac{1}{A_f} \right) \quad (7)$$

Solving for  $A_f$  gives

$$A_f = \frac{1}{\text{antilog}_{10} \frac{\text{no. of dB}}{20}} \quad (8)$$

An example will check the value for  $A_f$  given in table 3-1 to 24 dB.

$$A_f = \frac{1}{\text{antilog}_{10} \left( \frac{24}{20} \right)} = \frac{1}{\text{antilog}_{10} (1.2)} \quad (9)$$

From a log table, the  $\text{antilog}_{10}$  of 1.2 is 15.85 and

$$A_f = \frac{1}{15.85} = 0.0631 \quad (10)$$

### 4-7. REFERENCE FOR DB.

4-8. The dB levels given in figure 3-1 are referenced to a milliwatt of power, hence the term dBm. This indicates that the logarithm is taken of a power ratio where 1 milliwatt is the reference. For the 37 dBm shown in figure 3-1D, equations (1) and (2) show that:

$$\text{dBm} = 10 \log_{10} \frac{\left( \frac{50^2}{600} \right)}{1 \text{ milliwatt}}$$

$$\text{dBm} \cong 10 \log_{10} (5000) = (3.7) = 37$$

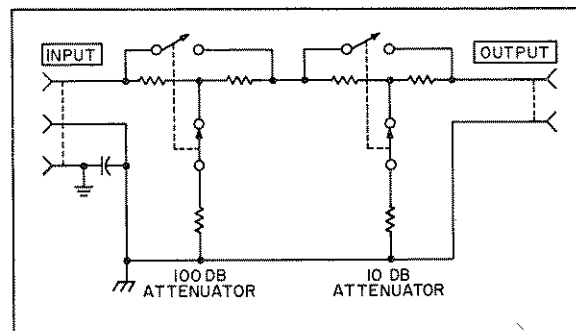


Figure 4-1. Model 350D Simplified Circuit

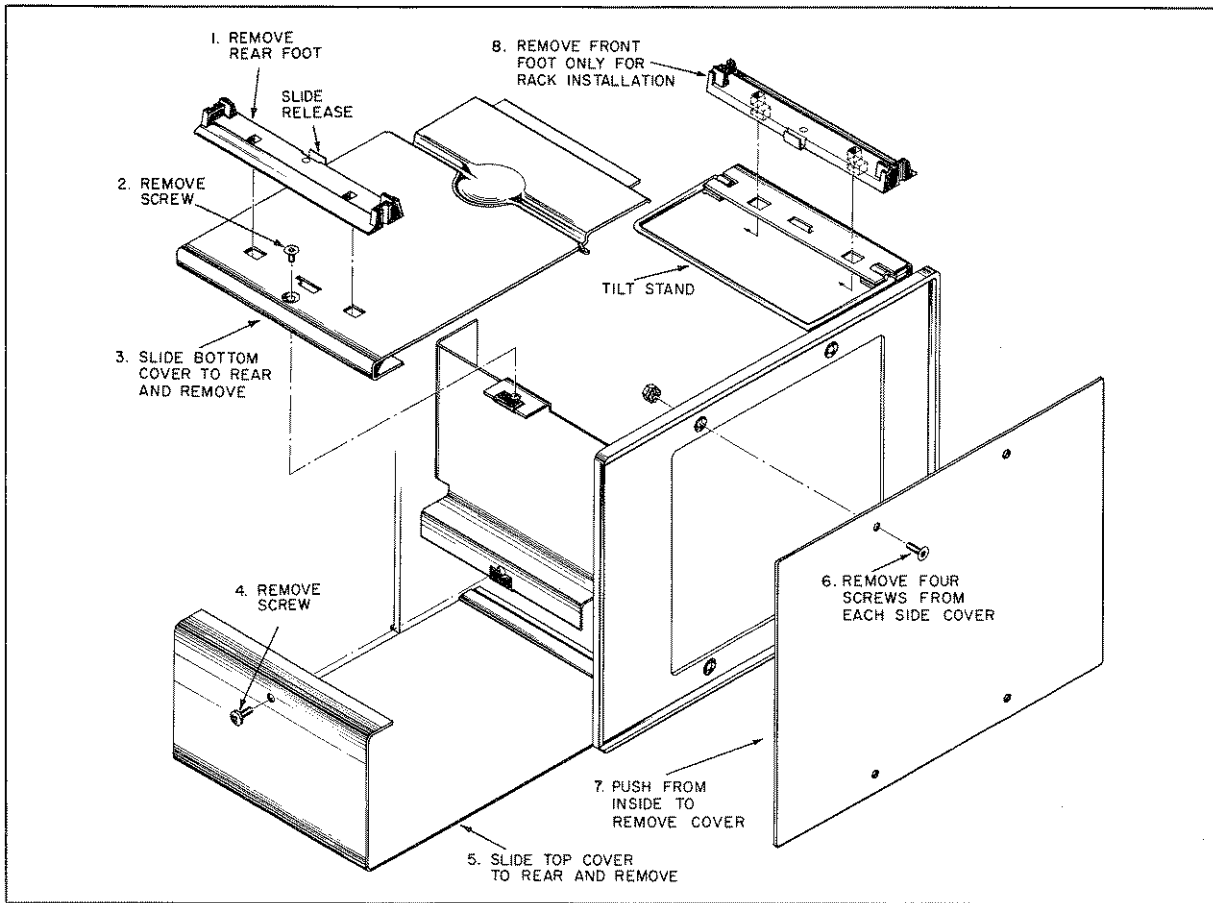


Figure 5-1. Cabinet Removal

5-1. Test Equipment Required

Instrument Type	Required Characteristics	Use	Recommended Model
Power Supply	Output Voltage: 0 to 50 V Load Regulation: Less than 5 MV change at output terminals for 0 to 2 amperes change	DC Performance Test	-hp- Model 6217A Power Supply
DC Voltmeter	Accuracy: $\pm 1\%$ full scale Ranges: 1 MV to 100 V, 11 ranges	DC Performance Test	-hp- Model 412A DC Voltmeter
Oscillator	Output Frequency: 100 KHz and 1 MHz Output Voltage: 6 volt rms	AC Performance Test	-hp- Model 651B Test Oscillator
Amplifier	Voltage Gain: 10 Frequency Range: 100 KHz to 1 Mhz	AC Performance Test	Krohn-Hite DCA-10 Wide Band Amplifier
AC Voltmeter	Accuracy: $\pm 2\%$ full scale (Para. 5-14) Ranges: -60 dB to +40 dB, 11 ranges Battery operated	AC Performance Test	-hp- Model 403B/Option 01 AC Voltmeter
Resistor	600 ohm, 10 W, LPI-10 $\pm 2\%$	AC/DC Performance Test	Corning Glass Works Co. resistor, as specified
Resistor	500 ohm, 10 W, LPI-10 $\pm 2\%$	AC Performance Test	Corning Glass Works Co. resistor, as specified

## SECTION V MAINTENANCE

### 5-1. INTRODUCTION.

5-2. Maintenance of the Model 350D should be minimal unless an overload voltage or physical damage requires replacement of a part. To prevent possible leakage across terminals at high frequencies, keep the instrument free of dust. The attenuator shaft bushings under the front panel DB knobs should be lubricated annually with one drop of light machine oil. Figure 5-7 is a schematic diagram for the Model 350D.

### 5-3. INSTRUMENT COVER REMOVAL.

5-4. Figure 5-1 illustrates the removal of all instrument covers. This should be necessary only when replacing an attenuator section or a switch component (see Paragraphs 5-5 and 5-7).

### 5-5. COMPONENT REPLACEMENT.

### 5-6. REMOVAL OF ATTENUATORS.

5-7. Figure 5-2 illustrates the Model 350D with rear panel removed and identifies the components and assemblies. To remove the attenuator assemblies, proceed as follows:

- a. Remove all instrument covers (see figure 5-1).
- b. Loosen screws in both attenuator knobs and remove knobs.
- c. Disconnect coaxial cables from connectors J1 and J2 (see figure 5-2). Mark cables for proper reinstallation. Remove capacitor C1 lead from ground lug.
- d. Remove flathead screws which fasten attenuator chassis (see figure 5-2) to instrument side castings. Remove attenuator chassis from instrument frame.
- e. Remove switch shaft nuts holding assemblies to attenuator chassis.
- f. Remove the slotted metal sleeve which clamps each shield around the attenuator assembly. To completely remove shield, unsolder the coaxial lead between the two attenuators; use care to avoid damage to cable insulation. This frees each attenuator for individual repair or replacement.
- g. Reassembly is essentially the reverse of the above procedures.

### 5-8. REPLACEMENT OF RESISTORS.

5-9. Figure 5-3 identifies the resistors on the 100 dB attenuator, A1, and figure 5-4 on the 10 dB attenuator, A2. Replacement resistors may be ordered from the parts information in section VI. When a resistor is replaced, a padding resistor may be necessary to restore calibration accuracy.

### 5-10. DC PERFORMANCE TEST.

5-11. The dc performance test setup is illustrated in Figure 5-5. A DC Power Supply (-hp- Model 6217A) and a DC Voltmeter (-hp- Model 412A) are required for this test. In addition, a Corning Glass Works Co. 600 ohm, 10 watt, LPI-10  $\pm 2\%$  resistor is required. This resistor must be enclosed in a shield as shown in Figure 5-5.

5-12. To perform the dc performance test, proceed as follows:

- a. Make test setup illustrated in Figure 5-5.
- b. Make control settings indicated in Step 1 of Table 5-2.

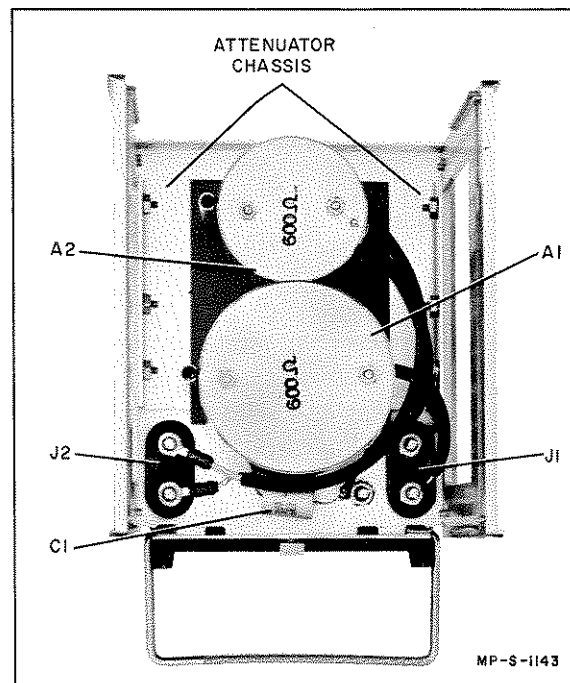


Figure 5-2. Model 350D Rear View (Rear Panel Removed)



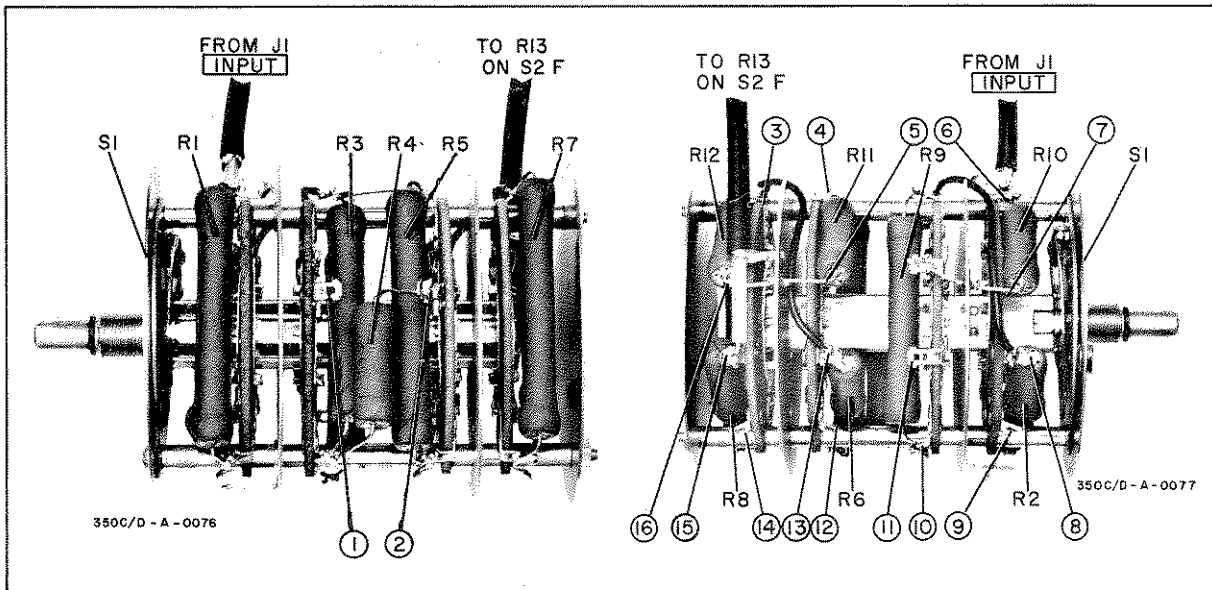


Figure 5-3. Assembly A1 Component Identification

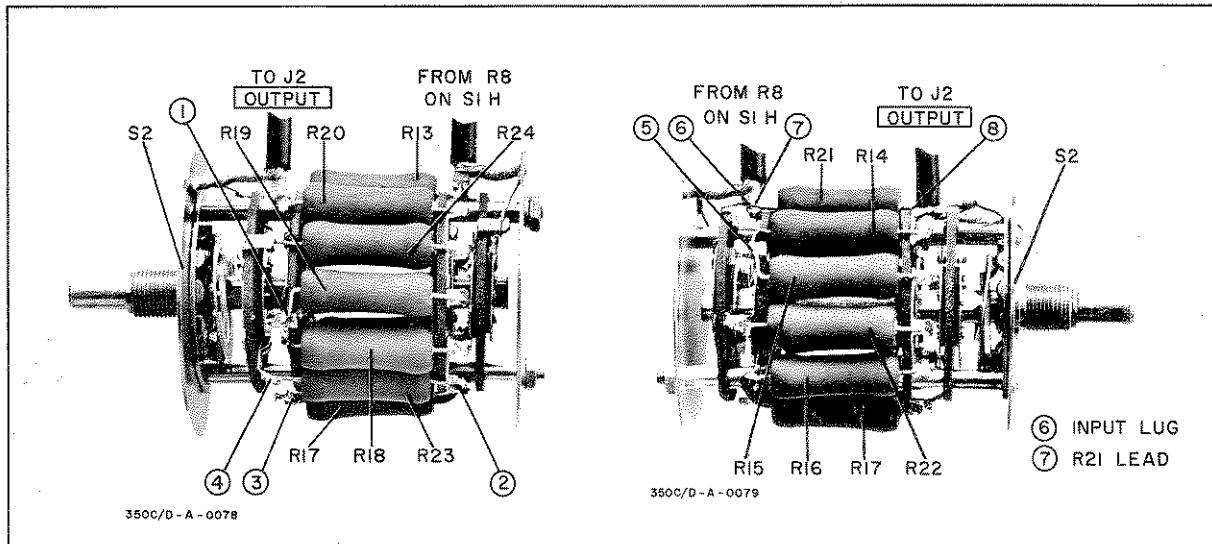


Figure 5-4. Assembly A2 Component Identification

- c. Adjust DC Power Supply for 50 volt indication on DC Voltmeter for 350D.
- d. Make control settings indicated in Step 2 of Table 5-2; if DC Voltmeter does not deflect to same position as in Step c  $\pm$  tolerance listed for Step 2, perform adjustment procedure contained in Paragraph 5-16.
- e. Repeat Step d for remaining steps of Table 5-2.

**5-13. AC PERFORMANCE TEST.**

5-14. The ac performance test setup is illustrated in Figure 5-6. An Oscillator (-hp- Model 651 B), an Amplifier (Krohn-Hite DCA-10), and a battery operated AC Voltmeter (-hp- Model 403B) are required for this test. In addition, (one 500 ohm and one 600 ohm, 10 watt, LPI-10  $\pm$ 2% resistors for the 350D). These resistors must be enclosed in a shield as shown in Figure 5-6. The range-to-range accuracy of the AC Voltmeter from +40 dB to -60 dB must be known to within 0.1 dB at 100 KHz and 1 MHz. Any errors should be

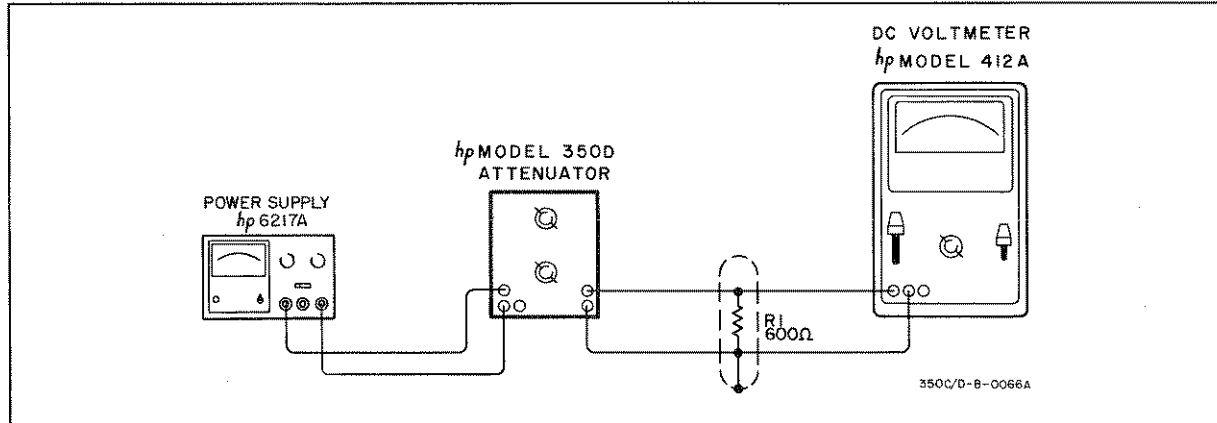


Figure 5-5. DC Performance Test Setup

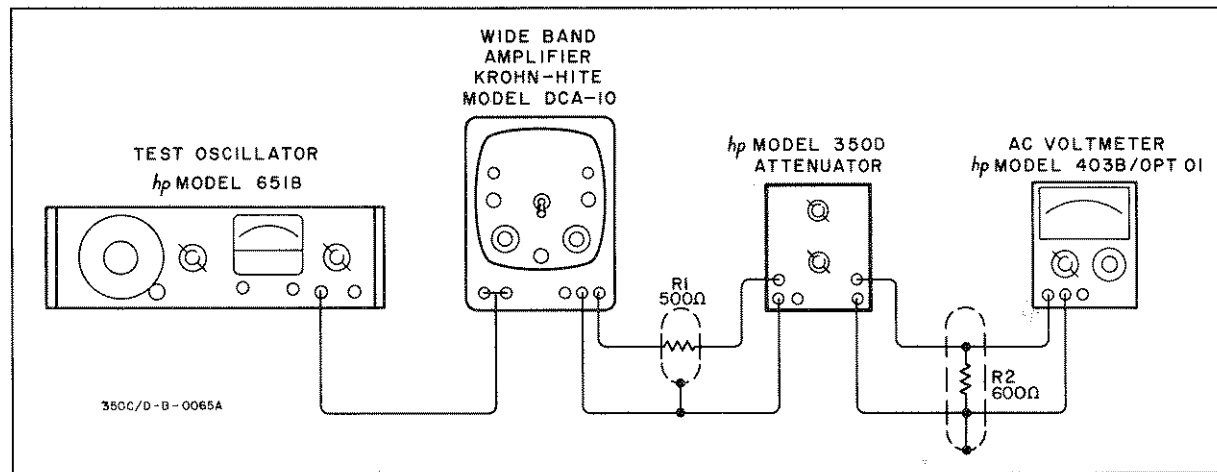


Figure 5-6. AC Performance Test Setup

algebraically subtracted from the error found during the performance test.

5-15. To perform the ac performance test, proceed as follows:

- a. Make test setup illustrated in Figure 5-6.
- b. Make control settings indicated in Step 1 of Table 5-3.
- c. Set Wide Band Amplifier for maximum gain.
- d. Adjust Oscillator AMPLITUDE control for convenient reference on AC Voltmeter.
- e. Make control settings indicated in Step 2 of Table 5-3; if AC Voltmeter does not indicate same as reference  $\pm$ tolerance listed in Table 5-3, perform adjustment procedure contained in Paragraph 5-16.

Table 5-2. DC Performance Test, Supplemental Data

Step	350D Attenuator Setting	DC Voltmeter Volts Range	Tolerance
1	0	100	
2	10	30	$\pm 46v$
3	20	10	$\pm 1.5v$
4	30	3	$\pm 46mv$
5	40	1	$\pm 15mv$
6	50	.3	$\pm 4.6mv$
7	60	.1	$\pm 1.5mv$
8	70	.03	$\pm 46mv$
9	80	.01	$\pm 30mv$
10	90	.003	$\pm 93\mu v$
11	100	.001	$\pm 30\mu v$



- f. Repeat Step e for Steps 3 thru 11 of Table 5-3.
- g. Set 350D for 50 dB; AC Voltmeter for -20 dB. Adjust Oscillator AMPLITUDE control for +2 dB indication on AC Voltmeter.
- h. Change 350D Attenuation to 60 dB in 1 dB steps; if AC Voltmeter does not indicate 1 ( $\pm 0.125$ ) dB change for each step, perform calibration procedure contained in Paragraph 5-16.
- i. Make control settings indicated in Step 12 of Table 5-3.

- j. Adjust Oscillator AMPLITUDE control for convenient reference as indicated on AC Voltmeter.
- k. Make control settings indicated in Step 13 of Table 5-3; if AC Voltmeter does not indicate same as reference  $\pm$ tolerance listed in Table 5-3, perform adjustment procedure contained in Paragraph 5-16.
- l. Repeat Step e for Steps 14 thru 22.
- m. Repeat Step g.
- n. Change 350D Attenuation to 60 dB in 1 dB steps; if AC Voltmeter does not indicate 1 ( $\pm 0.25$ ) dB change for each step, perform adjustment procedure contained in Paragraph 5-16.

**Table 5-3. AC Performance Test, Supplemental Data**

Step	Oscillator Frequency	DB Setting	AC Voltmeter DB Range	Tolerance in DB
1	100 KHz	0	+40	
2	100 KHz	10	+30	$\pm 0.25$
3	100 KHz	20	+20	$\pm 0.25$
4	100 KHz	30	+10	$\pm 0.25$
5	100 KHz	40	0	$\pm 0.25$
6	100 KHz	50	-10	$\pm 0.25$
7	100 KHz	60	-20	$\pm 0.25$
8	100 KHz	70	-30	$\pm 0.25$
9	100 KHz	80	-40	$\pm 0.5$
10	100 KHz	90	-50	$\pm 0.5$
11	100 KHz	100	-60	$\pm 0.5$
12	1 MHz	0	+40	
13	1 MHz	10	+30	$\pm 0.5$
14	1 MHz	20	+20	$\pm 0.5$
15	1 MHz	30	+10	$\pm 0.5$
16	1 MHz	40	0	$\pm 0.5$
17	1 MHz	50	-10	$\pm 0.5$
18	1 MHz	60	-20	$\pm 0.5$
19	1 MHz	70	-30	$\pm 0.5$
20	1 MHz	80	-40	$\pm 0.75$
21	1 MHz	90	-50	$\pm 0.75$
22	1 MHz	100	-60	$\pm 0.75$

**5-16. ADJUSTMENT PROCEDURE.**

5-17. The adjustment procedure comprises the addition of padding resistors to the attenuator switches. This procedure should be performed only when one of the attenuators is found to be out of tolerance. Table 5-4 contains the information necessary to pad the 10 dB attenuator. Table 5-5 contains the information necessary to pad the 100 dB attenuator.

5-18. Attenuation values above 40 dB are obtained by using a combination of the 10, 20, 30, and 40 dB attenuator data. The error on any one of these steps might be within tolerance, with the combination of two or more being out of tolerance. Therefore, padding resistor values are given in Tables 5-4 and 5-5 for errors which are by themselves, not out of tolerance.

5-19. To perform the adjustment procedure, find the value of padding resistor which corresponds to the magnitude and direction of error. Add this resistor between the points indicated. Check the calibration by performing the appropriate performance test.

**Table 5-4. 1 DB Step Attenuator Padding Data**

1 DB Step Attenuation Position	Magnitude and Direction of Error			Padding Resistor		Ref Des	Position on S2 (See Figure 5-4)
	0-0.05	0.05-0.075	0.075-0.1	Value	-hp- Stock No.		
3	+			7.5 K	0758-0047	R37	7-8
3	-			10 K	0758-0006	R36	5-6
3		+		4.7 K	0758-0005	R37	7-8
3		-		6.8 K	0758-0009	R36	5-6
3			+	3.3 K	0758-0010	R37	7-8
3			-	5.1 K	0758-0037	R36	5-6
4	+			15 K	0758-0018	R41	2-4
4	-			18 K	0758-0019	R40	1-3
4		+		9.1 K	0758-0038	R41	2-4
4		-		12 K	0758-0012	R40	1-3
4			+	6.8 K	0758-0009	R41	2-4
4			-	9.1 K	0758-0038	R40	1-3

Table 5-5. 10 DB Attenuator Padding Data

10 DB Step Attenuator Position	Magnitude and Direction of Error						Padding Resistor		Ref Des	Position on SI (See Figure 5-3)
	0.1-0.15	0.15-0.2	0.2-0.25	0.25-0.3	0.3-0.35	0.35-0.4	Value	-hp- Stock No.		
10	+						6.8 K	0758-0009	R27	10-11
10	-						33 K	0758-0049	R26	1-2
10		+					4.7 K	0758-0005	R27	10-11
10		-					24 K	0758-0073	R26	1-2
10			+				3.9 K	0758-0045	R27	10-11
10			-				20 K	0758-0039	R26	1-2
20	+						4.7 K	0758-0005	R31	4-5
20	-						162 K	0757-0130	R28	12-13
20		+					3.6 K	0758-0036	R31	4-5
20		-					120 K	0758-0061	R28	12-13
20			+				2.7 K	0758-0004	R31	4-5
20			-				100 K	0758-0053	R28	12-13
20				+			2.4 K	0758-0034	R31	4-5
20				-			82 K	0758-0022	R28	12-13
20					+		2 K	0758-0033	R31	4-5
20					-		75K	0758-0075	R28	12-13
30	+						1.8 K	0758-0043	R30	6-7
30	-						511 K	0757-0135	R25	8-9
30		+					1.5 K	0758-0017	R30	6-7
30		-					383 K	0757-0133	R25	8-9
30			+				1.1 K	0758-0069	R30	6-7
30			-				332 K	0757-0132	R25	8-9
30				+			910	0758-0068	R30	6-7
30				-			274 K	0757-0131	R25	8-9
30					+		750	0758-0067	R30	6-7
30					-		215 K	0757-0127	R25	8-9
30						+	680	0758-0031	R30	6-7
30						-	200 K	0757-0128	R25	8-9
40	+						620	0758-0066	R32	3-16
40	-						1.62 M	0728-0001	R29	14-15
40		+					470	0758-0029	R32	3-16
40		-					1.33 M	0757-0140	R29	14-15
40			+				390	0758-0008	R32	3-16
40			-				1.1 M	0757-0139	R29	14-15
40				+			300	0758-0016	R32	3-16
40				-			909 K	0757-0138	R29	14-15
40					+		270	0758-0028	R32	3-16
40					-		750 K	0757-0137	R29	14-15
40						+	220	0758-0015	R32	3-16
40						-	619 K	0757-0136	R29	14-15

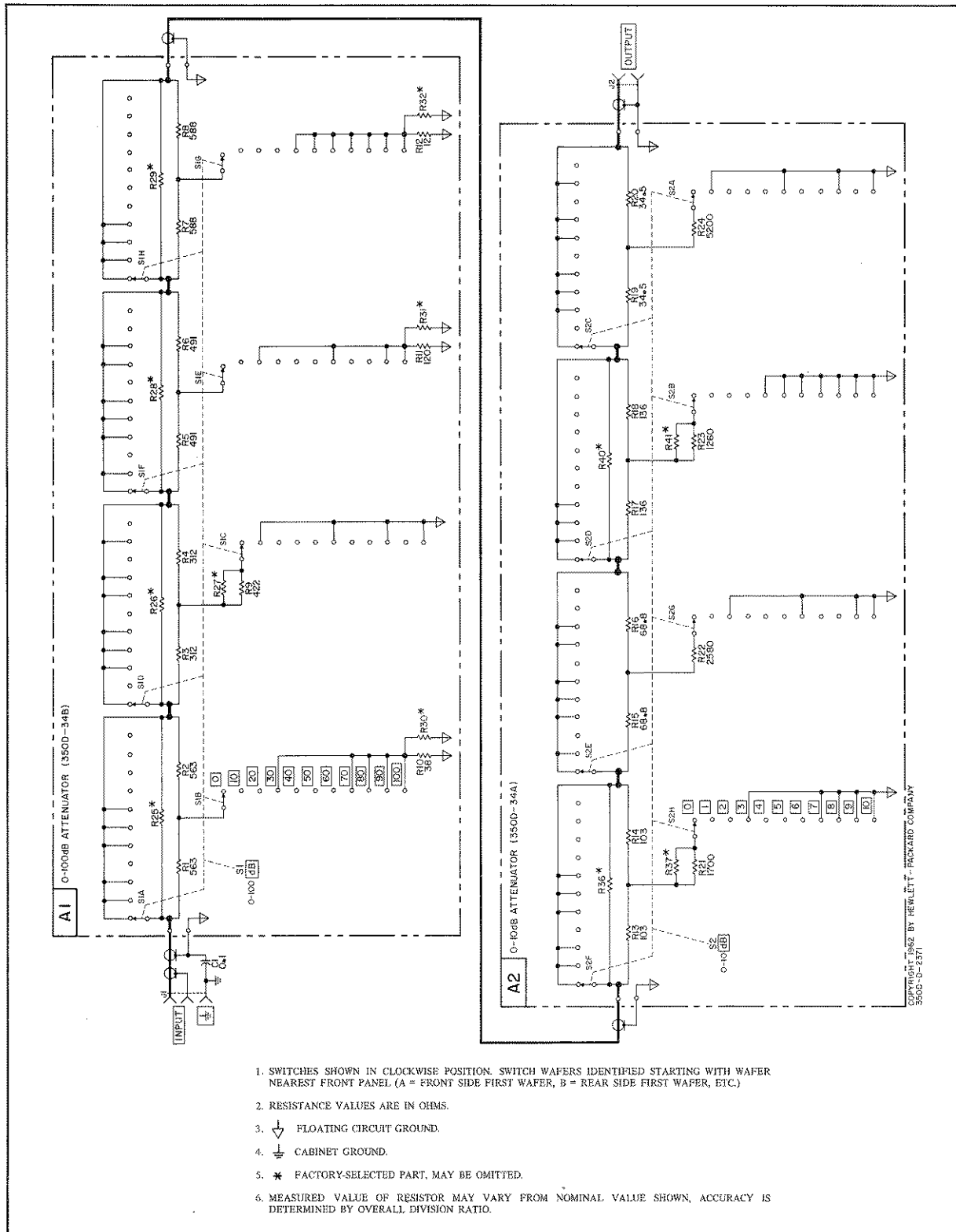


Figure 5-7. Model 350D Schematic Diagram

## SECTION VI REPLACEABLE PARTS

### 6-1. INTRODUCTION.

6-2. This section contains information for ordering replacement parts. Table 6-1 lists parts in alphameric order of their reference designators and indicates the description, -hp- part number of each part, together with any applicable notes, and provides the following:

- a. Total quantity used in the instrument (TQ column). The total quantity of a part is given the first time the part number appears.
- b. Description of the part. (See list of abbreviations below.)
- c. Typical manufacturer of the part in a five-digit code. (See Appendix A for list of manufacturers.)
- d. Manufacturer's part number.

6-3. Miscellaneous parts are listed at the end of Table 6-1.

### 6-4. ORDERING INFORMATION.

6-5. To obtain replacement parts, address order or inquiry to your local Hewlett-Packard Field Office. (See Appendix B for list of office locations.) Identify parts by their Hewlett-Packard part numbers.

### 6-6. NON-LISTED PARTS.

6-7. To obtain a part that is not listed, include:

- a. Instrument model number.
- b. Instrument serial number.
- c. Description of the part.
- d. Function and location of the part.

ABBREVIATIONS			
Ag ..... silver Al ..... Aluminum A ..... Amperes(s) Au ..... gold  C ..... capacitor cer ..... ceramic coef ..... coefficient com ..... common comp ..... composition conn ..... connection  dep ..... deposited DPDT ..... double-pole double-throw DPST ..... double-pole single-throw  elect ..... electrolytic encap ..... encapsulated  F ..... farad(s) FET ..... field effect transistor fld ..... fixed  GaAs ..... gallium arsenide GHz ..... gigahertz = 10 <sup>9</sup> hertz gd ..... guard(ed) Ge ..... germanium grd ..... ground(ed)  H ..... henry(ies) Hz ..... hertz (cycles per second)	ID ..... inside diameter impg ..... impregnated incd ..... incandescent ins ..... insulation(ed)  kΩ ..... kilohm(s) = 10 <sup>3</sup> ohms kHz ..... kilohertz = 10 <sup>3</sup> hertz  L ..... inductor lin ..... linear taper log ..... logarithmic taper  mA ..... milliampere(s) = 10 <sup>-3</sup> amperes MHz ..... megahertz = 10 <sup>6</sup> hertz MΩ ..... megohm(s) = 10 <sup>6</sup> ohms met (fm) ..... metal film mfr ..... manufacturer ms ..... millisecond mtg ..... mounting mV ..... millivolt(s) = 10 <sup>-3</sup> volts μF ..... microfarad(s) μs ..... microsecond(s) μV ..... microvolt(s) = 10 <sup>-6</sup> volts my ..... Mylar®  nA ..... nanoampere(s) = 10 <sup>-9</sup> amperes NC ..... normally closed Ne ..... neon NO ..... normally open NPO ..... negative positive zero (zero temperature coefficient)	ns ..... nanosecond(s) = 10 <sup>-9</sup> seconds nsr ..... not separately replaceable  Ω ..... ohm(s) oob ..... order by description OD ..... outside diameter  p ..... peak pA ..... picoampere(s) pc ..... printed circuit pF ..... picofarad(s) = 10 <sup>-12</sup> farads  piv ..... peak inverse voltage p/o ..... part of pos ..... position(s) poly ..... polystyrene pot ..... potentiometer p-p ..... peak-to-peak ppm ..... parts per million prec ..... precision (temperature coefficient, long term stability, and/or tolerance)  R ..... resistor Rh ..... rhodium rms ..... root-mean-square rot ..... rotary  Se ..... selenium sect ..... section(s) Si ..... silicon sl ..... slide	SPDT ..... single-pole double-throw SPST ..... single-pole single-throw  Ta ..... tantalum TC ..... temperature coefficient TiO <sub>2</sub> ..... titanium dioxide tog ..... toggle tol ..... tolerance trim ..... trimmer TSTR ..... transistor  V ..... volt(s) vacw ..... alternating current working voltage var ..... variable vdcw ..... direct current working voltage  W ..... watt(s) w/ ..... with wiv ..... working inverse voltage w/o ..... without ww ..... wirewound  * ..... optimum value selected at factory, average value shown (part may be omitted) ** ..... no standard type number assigned (selected or special type)

©Dupont de Nemours

DECIMAL MULTIPLIERS					
Prefix	Symbols	Multiplier	Prefix	Symbols	Multiplier
tera	T	10 <sup>12</sup>	centi	c	10 <sup>-2</sup>
giga	G	10 <sup>9</sup>	milli	m	10 <sup>-3</sup>
mega	M or Meg	10 <sup>6</sup>	micro	μ	10 <sup>-6</sup>
kilo	K or k	10 <sup>3</sup>	nano	n	10 <sup>-9</sup>
hecto	h	10 <sup>2</sup>	pico	p	10 <sup>-12</sup>
deca	da	10	femto	f	10 <sup>-15</sup>
deci	d	10 <sup>-1</sup>	atto	a	10 <sup>-18</sup>

DESIGNATORS			
A ..... assembly B ..... motor BT ..... battery C ..... capacitor CR ..... diode DL ..... delay line DS ..... lamp E ..... misc electronic part F ..... fuse Rev J	FI ..... filter HR ..... heater J ..... jack K ..... relay L ..... inductor M ..... meter MP ..... mechanical part P ..... plug Q ..... transistor	QCR ..... transistor-diode R ..... resistor RT ..... thermostat S ..... switch T ..... transformer TB ..... terminal board TC ..... thermocouple TP ..... test point TS ..... terminal strip	U ..... integrated circuit V ..... vacuum tube, neon bulb, photocell, etc. W ..... cable X ..... socket XDS ..... lampholder XF ..... fuseholder Y ..... crystal Z ..... network

Table 6-1. Replaceable Parts

REFERENCE DESIGNATOR	-hp- PART NO.	TQ	DESCRIPTION	MFR.	MFR. PART NO.
A1	350D-34B	1	Assy, attenuator, 0-100 dB, includes: R1 thru R12, R25 thru R32, S1	-hp-	
A2	350D-34A	1	Assy, attenuator, 0-10 dB, includes: R13 thru R24, R36 thru R43, S2	-hp-	
C1	0170-0022	2	C: fxd, my, 0.1 uF 20%, 600 vdcw	84411	HEW 7
J1	5060-0634 5060-0635 0340-0086 0340-0090	2 3 2 2	Connector: INPUT, includes: Assy, binding post: red Assy, binding post: black Insulator, binding post: 2 hole (outside) Insulator, binding post: 2 hole, keyed (inside)	-hp- -hp- -hp- -hp-	
J2	5060-0634 5060-0635 0340-0086 0340-0090		Connector: OUTPUT, includes: Assy, binding post: red Assy, binding post: black Insulator, binding post: 2 hole (outside) Insulator, binding post: 2 hole, keyed (inside)	-hp- -hp- -hp- -hp-	
R1	0775-0002	1	R: fxd, mfgl, 563 ohms 2%, 7 W	04674	LPI-7 obd
R2	0766-0013	1	R: fxd, mfgl, 563 ohms 2%, 3 W	04670	LPI-3 obd
R3	0772-0001	1	R: fxd, mfgl, 312 ohms 2%, 5 W	04670	LPI-5 obd
R4	0766-0009	1	R: fxd, mfgl, 312 ohms 2%, 3 W	04670	LPI-3 obd
R5	0775-0001	1	R: fxd, mfgl, 491 ohms 2%, 7 W	04670	LPI-7 obd
R6	0766-0011	1	R: fxd, mfgl, 491 ohms 2%, 3 W	04670	LPI-3 obd
R7	0775-0003	1	R: fxd, mfgl, 588 ohms 2%, 7 W	04670	LPI-7 obd
R8	0766-0015	1	R: fxd, mfgl, 588 ohms 2%, 3 W	04670	LPI-3 obd
R9	0772-0002	1	R: fxd, mfgl, 422 ohms 2%, 5 W	04670	LPI-5 obd
R10	0766-0012	1	R: fxd, mfgl, 38 ohms 2%, 3 W	04670	LPI-3 obd
R11	0766-0010	1	R: fxd, mfgl, 120 ohms 2%, 3 W	04670	LPI-3 obd
R12	0766-0014	1	R: fxd, mfgl, 12 ohms 2%, 3 W	04670	LPI-3 obd
R13, R14	0766-0005	2	R: fxd, mfgl, 103 ohms 2%, 3 W	04670	LPI-3 obd
R15, R16	0766-0003	2	R: fxd, mfgl, 68.8 ohms 2%, 3 W	04670	LPI-3 obd
R17, R18	0766-0007	2	R: fxd, mfgl, 136 ohms 2%, 3 W	04670	LPI-3 obd
R19, R20	0766-0001	2	R: fxd, mfgl, 34.5 ohms 2%, 3 W	04670	LPI-3 obd
R21	0766-0006	1	R: fxd, mfgl, 1700 ohms 2%, 3 W	04670	LPI-3 obd
R22	0766-0004	1	R: fxd, mfgl, 2580 ohms 2%, 3 W	04670	LPI-3 obd
R23	0766-0008	1	R: fxd, mfgl, 1260 ohms 2%, 3 W	04670	LPI-3 obd
R24	0766-0002	1	R: fxd, mfgl, 5200 ohms 2%, 3 W	04670	LPI-3 obd
R25* thru R32* R33 thru R35 R36*, R37* R38, R39 R40*, R41*			Factory selected part, may be omitted Not assigned Factory selected part, may be omitted Not assigned Factory selected part, may be omitted		
S1			Nsr; part of A1		
S2			Nsr; part of A2		
	5060-0705 5060-0727	1 1	Assy, cover: half recess (top) Assy, foot	-hp- -hp-	
	5000-0710 5000-0702	1 2	Cover (bottom) Cover, 6 x 8 (side)	-hp- -hp-	
	5060-0702	2	Frame, side 6 x 8	-hp-	
	0370-0112	2	Knobs: bar w/arrow, black	-hp-	
	00350-90203	1	Manual: instruction (350D)	-hp-	
	350D-2A 5000-7293	1 1	Panel: front (350D only) Panel: rear	-hp- -hp-	

Table 6-1. Replaceable Parts (Cont'd)

REFERENCE DESIGNATOR	-hp- PART NO.	TQ	DESCRIPTION	MFR.	MFR. PART NO.	
A2 (Cont'd)	2460-0008	1	Screw: phillips head for rear of top cover	-hp-		
	2370-0020†	8	Screw: phillips head for side panels	-hp-		
	1490-0031	1	Stand: tilt	-hp-		
	350C-55A	1	10 dB shield	-hp-		
	350C-12A	1	10 dB shield clamp	-hp-		
	350C-55B	1	100 dB shield	-hp-		
	350C-12B	1	100 dB shield clamp	-hp-		
	350D-95A	1	Attenuator Assy, 10 dB step; Includes the following parts: 350C-12A, 350C-55A and 350D-34A	-hp-		
	350D-95B	1	Attenuator Assy, 100 dB step; Includes the following parts: 350C-12B, 350C-55B and 350D-34B	-hp-		
	† If screw with nut is used, these are the stock numbers:					
	2420-0004	8	Nut: hex w/lock	-hp-		
	2370-0013	8	Screw: phillips head for side panel	-hp-		



## CODE LIST OF MANUFACTURERS

The following code numbers are from the Federal Supply Code for Manufacturers Cataloging Handbooks H4-1 (Name to Code) and H4-2 (Code to Name) and their latest supplements. The date of revision and the date of the supplements used appear at the bottom of each page. Alphabetical codes have been arbitrarily assigned to suppliers not appearing in the H4 Handbooks.

Code No.	Manufacturer	Address	Code No.	Manufacturer	Address	Code No.	Manufacturer	Address
00000	U. S. A Common	Any supplier of U.S.	05347	Ultronix, Inc.	San Mateo, Cal.	11236	CTS of Berne, Inc.	Berne, Ind.
00136	McCoy Electronics	Mount Holly Springs, Pa.	05397	Union Carbine Corp., Elect.		11237	Chicago Telephone of California, Inc.	So. Pasadena, Cal.
00213	Sage Electronics Corp.	Rochester, N. Y.	05574	Viking Ind. Inc.	Canoga Park, Cal.	11242	Bay State Electronics Corp.	Waltham, Mass.
00287	Cemco, Inc.	Danielson, Conn.	05593	Icore Electro-Plastics Inc.	Sunnyvale, Cal.	11312	Teledyne Inc., Microwave Div.	Palo Alto, Cal.
00334	Humidial	Colton, Calif.	05616	Cosmo Plastic (e/o Electrical Spec. Co.)	Cleveland, Ohio	11314	National Seal	Downey, Cal.
00348	Mictron, Co., Inc.	Valley Stream, N. Y.	05624	Barber Colman Co.	Rockford, Ill.	11453	Precision Connector Corp.	Jamaica, N. Y.
00373	Garlock Inc.	Cherry Hill, N. J.	05728	Hiffen Optical Co.		11534	Duncan Electronics Inc.	Costa Mesa, Cal.
00656	Aerovox Corp.	New Bedford, Mass.	05729	Metro-Tel Corp.	Roslyn Heights, Long Island, N. Y.	11711	General Instrument Corp., Semiconductor Division Products Group	Newark, N. J.
00779	Amp. Inc.	Harrisburg, Pa.	05783	Stewart Engineering Co.	Santa Cruz, Cal.	11717	Imperial Electronic, Inc.	Buena Park, Cal.
00781	Aircraft Radio Corp.	Booton, N. J.	05820	Wakefield Engineering Inc.	Wakefield, Mass.	11870	Melabs, Inc.	Palo Alto, Cal.
00809	Crown, Ltd.	Whitby, Ontario, Canada	06004	Bassick Co., Div. of Stewart Warner Corp.	Bridgeport, Conn.	12136	Philadelphia Handle Co.	Camden, N. J.
00815	Northern Engineering Laboratories, Inc.	Burlington, Wis.	06090	Raychem Corp.	Redwood City, Cal.	12361	Grove Mfg. Co., Inc.	Shady Grove, Pa.
00853	Sangamo Electric Co., Pickens Div.	Pickens, S. C.	06175	Bausch and Lomb Optical Co.	Rochester, N. Y.	12574	Gulton Ind. Inc., Data System Div.	Albuquerque, N. M.
00866	Goe Engineering Co.	City of Industry, Cal.	06402	E. T. A. Products Co. of America	Chicago, Ill.	12597	Ciarostat Mfg. Co.	Dover, N. H.
00891	Carl E. Holmes Corp.	Los Angeles, Cal.	06540	Anatom Electronic Hardware Co., Inc.	New Rochelle, N. Y.	12728	Elmar Filter Corp.	W. Haven, Conn.
00929	Microlab Inc.	Livingston, N. J.	06555	Beede Electrical Instrument Co., Inc.	Penacook, N. H.	12859	Nippon Electric Co., Ltd.	Tokyo, Japan
01002	Capacitor Dept., Aiden Products Co.	Hudson Falls, N. Y.	06666	General Devices Co., Inc.	Indianapolis, Ind.	12881	Metex Electronics Corp.	Clark, N. J.
01009	Allen Bradley Co.	Milwaukee, Wis.	06751	Components Inc., Ariz. Div.	Phoenix, Arizona	12930	Delta Semiconductor Inc.	Newport Beach, Cal.
01125	Litton Industries, Inc.	Beverly Hills, Cal.	06812	Torrington Mfg. Co., West Div.	Van Nuys, Cal.	12954	Dickson Electronics Corp.	Scottsdale, Arizona
01281	TRW Semiconductors, Inc.	Lawndale, Cal.	06980	Varian Assoc. Etmac Div.	San Carlos, Cal.	13019	Aircro Supply Co., Inc.	Wichita, Kansas
01295	Texas Instruments, Inc., Transistor Products Div.	Dallas, Texas	07088	Keivin Electric Co.	Van Nuys, Cal.	13061	Wilco Products	Detroit, Mich.
01349	The Alliance Mfg. Co.	Alliance, Ohio	07126	Digitran Co.	Pasadena, Cal.	13103	Thermolloy	Dallas, Texas
01538	Small Parts Inc.	Los Angeles, Cal.	07137	Transistor Electronics Corp.	Minneapolis, Minn.	13327	Soliton Devices Inc.	Tappan, N. Y.
01589	Pacific Relays, Inc.	Van Nuys, Cal.	07138	Westinghouse Electric Corp., Electronic Tube Div.	Elmira, N. Y.	13396	Telefunken (GmbH)	Hanover, Germany
01670	Gudebrod Bros. Silk Co.	New York, N. Y.	07149	Filmohm Corp.	New York, N. Y.	13835	Midland-Wright Div. of Pacific Industries, Inc.	Kansas City, Kansas
01930	Amerock Corp.	Rockford, Ill.	07233	Cinch-Graphix Co.	City of Industry, Cal.	14089	Sem-Tech	Newbury Park, Cal.
01980	Pulse Engineering Co.	Santa Clara, Cal.	07256	Silicon Transistor Corp.	Carle Place, N. Y.	14193	Calif. Resistor Corp.	Santa Monica, Cal.
02114	Ferroxcube Corp. of America	Saugerties, N. Y.	07261	Avnet Corp.	Culver City, Cal.	14298	American Components, Inc.	Conshohocken, Pa.
02116	Wheelock Signals, Inc.	Long Branch, N. J.	07263	Fairchild Camera & Inst. Corp., Semiconductor Div.	Mountain View, Cal.	14433	ITT Semiconductor, a Div. of Int. Telephone and Telegraph Corporation	West Palm Beach, Fla.
02286	Cole Rubber and Plastics Inc.	Sunnyvale, Cal.	07322	Minnesota Rubber Co.	Minneapolis, Minn.	14493	Hewlett-Packard Company	Loveland, Colo.
02660	Amphenol-Borg Electronics Corp.	Broadview, Ill.	07387	Birtcher Corp., The	Monterey Park, Cal.	14655	Cornell Dublier Electric Corp.	Newark, N. J.
02735	Radio Corp. of America, Semiconductor and Materials Division	Somerville, N. J.	07397	Sylvania Elect. Prod. Inc., Mt. View Operations	Mountain View, Cal.	14674	Corning Glass Works	Corning, N. Y.
02771	Vocaline Co. of America, Inc.	Old Saybrook, Conn.	07700	Technical Wire Products Inc.	Cranford, N. J.	14752	Electro Cube Inc.	San Gabriel, Cal.
02777	Hopkins Engineering Co.	San Fernando, Cal.	07829	Bodine Elect. Co.	Chicago, Ill.	15106	Williams Mfg. Co.	San Jose, Cal.
02875	Hudson Tool & Die	Newark, N. J.	07910	Continental Device Corp.	Hawthorne, Cal.	15196	The Sphere Co., Inc.	Little Falls, N. J.
03296	Nylon Molding Corp.	Springfield, N. J.	07933	Raytheon Mfg. Co., Semiconductor Div.	Mountain View, Cal.	15287	Webster Electronics Co.	New York, N. Y.
03508	G. E. Semiconductor Prod. Dept.	Syracuse, N. Y.	07980	Hewlett-Packard Co., New Jersey Division	Rockaway, N. J.	15287	Scionics Corp.	Northridge, Cal.
03705	Apex Machine & Tool Co.	Dayton, Ohio	08145	U. S. Engineering Co.	Los Angeles, Cal.	15558	Micron Electronics, Garden City, Long Island, N. Y.	Garden City, Long Island, N. Y.
03797	Elidma Corp.	Compton, Calif.	08269	Blina, Delbert Co.	Pomona, Cal.	15566	Amprobe Inst. Corp.	Lynbrook, N. Y.
03818	Parker Seal Co.	Los Angeles, Cal.	08358	Burgess Battery Co.	Niagara Falls, Ontario, Canada	15631	Cabletronics	Costa Mesa, Cal.
03877	Transiron Electric Corp.	Wakefield, Mass.	08524	Deutsch Fastener Corp.	Los Angeles, Cal.	15772	Twentieth Century Coil Spring Co.	Santa Clara, Cal.
03888	Pyrofilm Resistor Co., Inc.	Cedar Knolls, N. J.	08664	Bristol Co., The	Waterbury, Conn.	15801	Penwal Elect. Inc.	Frankingham, Mass.
03954	Singer Co., Diehl Div.	Sumerville, N. J.	08717	Sloan Company	Sun Valley, Cal.	15818	Amelec Inc.	Mountain View, Cal.
04009	Arrow, Hart and Hegeman Elect. Co.	Hartford, Conn.	08718	ITT Cannon Electric Inc., Phoenix Div.	Phoenix, Arizona	16037	Spruce Pine Mica Co.	Spruce Pine, N. C.
04013	Tarus Corp.	Lambertville, N. J.	08727	National Radio Lab. Inc.	Paramus, N. J.	16179	Omni-Spectra Inc.	Detroit, Ill.
04062	Arco Electronic Inc.	Great Neck, N. Y.	08792	CBS Electronics Semiconductor Operations, Div. of CBS Inc.	Lowell, Mass.	16352	Computer Diode Corp.	Lodi, N. J.
04217	Essex Wire	Los Angeles, Cal.	08806	General Electric Co., Miniature Lamp Dept.	Cleveland, Ohio	16554	Electroid Co.	Union, N. J.
04222	Hi-Q Division of Aerovox	Myrtle Beach, S. C.	08984	Mel-Rain	Indianapolis, Ind.	16585	Boots Aircraft Nut Corp.	Pasadena, Cal.
04354	Precision Paper Tube Co.	Wheeling, Ill.	09026	Babcock Relays Div.	Costa Mesa, Cal.	16688	Ideal Prec. Meter Co., Inc.	
04404	Palo Alto Division of Hewlett-Packard Co.	Palo Alto, Cal.	09097	Electronic Enclosures Inc.	Los Angeles, Calif.	16758	De Jur Meter Div.	Brooklyn, N. Y.
04651	Sylvania Electric Products, Microwave Device Div.	Mountain View, Cal.	09134	Texas Capacitor Co.	Houston, Texas	16758	Delco Radio Div. of G. M. Corp.	Kokomo, Ind.
04673	Dakota Engr. Inc.	Culver City, Cal.	09145	Tech. Ind. Inc. Atchm Elect.	Burbank, Cal.	17109	Thermometrics Inc.	Canoga Park, Cal.
04713	Motorola Inc. Semiconductor Prod. Div.	Phoenix, Arizona	09250	Electro Assemblies, Inc.	Chicago, Ill.	17474	Tranex Company	Mountain View, Cal.
04732	Filttron Co., Inc. Western Div.	Culver City, Cal.	09353	C & K Components Inc.	Newton, Mass.	17675	Hamlin Metal Products Corp.	Akron, Ohio
04773	Automatic Electric Co.	Northlake, Ill.	09569	Mallory Battery Co. of Canada, Ltd.	Toronto, Ontario, Canada	17745	Angstrom Prec. Inc.	No. Hollywood, Cal.
04796	Sequoia Wire Co.	Redwood City, Cal.	09795	Pennsylvania Florocarbon	Clifton Heights, Penn.	17856	Siliconix Inc.	Sunnyvale, Cal.
04811	Precision Coil Spring Co.	El Monte, Cal.	09922	Burndy Corp.	Norwalk, Conn.	17870	McGraw-Edison Co.	Manchester, N. H.
04870	P. M. Motor Company	Westchester, Ill.	10214	General Transistor Western Corp.	Los Angeles, Cal.	18042	Power Design Pacific Inc.	Palo Alto, Cal.
04919	Component Mfg. Service Co.	W. Bridgewater, Mass.	10411	Ti-Tal, Inc.	Berkeley, Cal.	18083	Clevite Corp. Semiconductor Div.	Palo Alto, Cal.
05006	Twentieth Century Plastics, Inc.	Los Angeles, Cal.	10646	Carborundum Co.	Niagara Falls, N. Y.	18324	Signetics Corp.	Sunnyvale, Cal.
05277	Westinghouse Electric Corp. Semiconductor Dept.	Youngwood, Pa.				18476	Ty-Car Mfg. Co., Inc.	Holliston, Mass.

00015-49  
Revised: May, 1970

From: Handbook Supplements  
H4-1 Dated January 1970



CODE LIST OF MANUFACTURERS (Continued)

Code No.	Manufacturer	Address	Code No.	Manufacturer	Address	Code No.	Manufacturer	Address
19644	LRC Electronics	Horseheads, N. Y.	71492	C. P. Clare & Co.	Chicago, Ill.	78452	Thompson-Bremer & Co.	Chicago, Ill.
19701	Electra Mfg. Co.	Independence, Kansas	71590	Centralab Div. of Globe Union Inc.	Milwaukee, Wis.	78471	Tilley Mfg. Co.	San Francisco, Cal.
20183	General Atomics Corp.	Philadelphia, Pa.	71616	Commercial Plastics Co.	Chicago, Ill.	78488	Stackpole Carbon Co.	St. Marys, Pa.
21226	Executone, Inc.	Long Island City, N. Y.	71700	Cornish Wire Co., The	New York, N. Y.	78493	Standard Thomson Corp.	Waltham, Mass.
21355	Fafnir Bearing Co., The	New Britain, Conn.	71707	Coto Coil Co., Inc.	Providence, R.I.	78553	Tinnerman Products, Inc.	Cleveland, Ohio
21520	Fansteel Metallurgical Corp.	N. Chicago, Ill.	71744	Chicago Miniature Lamp Works	Chicago, Ill.	78790	Transformer Engineers	San Gabriel, Cal.
23020	General Reed Co.	Metuchen, N. J.	71785	Cinch Mfg. Co.	Chicago, Ill.	78947	Uclinite Co.	Newtonville, Mass.
23042	Texscan Corp.	Indianapolis, Ind.	71984	Howard B. Jones Div.	Chicago, Ill.	79136	Waldes Kohinoor Inc.	Long Island City, N. Y.
23783	British Radio Electronics Ltd.	Washington, D.C.	72136	Dow Corning Corp.	Midland, Mich.	79142	Weeder Root, Inc.	Hartford, Conn.
24455	G. E. Lamp Division, Nela Park	Cleveland, Ohio	72136	Electro Motive Mfg. Co., Inc.	Willimantic, Conn.	79251	Wenco Mfg. Co.	Chicago, Ill.
24655	General Radio Co.	West Concord, Mass.	72619	Dialight Corp.	Brooklyn, N. Y.	79727	Continental-Wirt Electronics Corp.	Philadelphia, Pa.
24681	Memcor Inc., Comp. Div.	Huntington, Ind.	72656	Indiana General Corp., Electronics Div.	Keasby, N. J.	79963	Zierick Mfg. Corp.	New Rochelle, N. Y.
26365	Gries Reproducer Corp.	New Rochelle, N. Y.	72699	General Instrument Corp., Cap Division	Newark, N. J.	80031	Mepeco Division of Sessions Clock Co.	Morristown, N. J.
26462	Grobert File Co. of America, Inc.	Carlstadt, N. J.	72765	Drake Mfg. Co.	Harwood Heights, Ill.	80033	Prestole Corp.	Toledo, Ohio
26851	Compac/Hollister Co.	Hollister, Cal.	72825	Hugh H. Eby Inc.	Philadelphia, Pa.	80120	Schnitzer Alloy Products Co.	Elizabeth, N. J.
26992	Hamilton Watch Co.	Lancaster, Pa.	72928	Gudemann Co.	Chicago, Ill.	80131	Electronic Industries Association, Standard tube or semi-conductor device, any manufacturer.	
28480	Hewlett-Packard Co.	Palo Alto, Cal.	72962	Elastic Stop Nut Corp.	Union, N. J.	80207	Unimax Switch, Div. Maxon Electronics Corp.	Wallingford, Conn.
28520	Heyman Mfg. Co.	Kenilworth, N. J.	72964	Robert M. Hadley Co.	Los Angeles, Cal.	80223	United Transformer Corp.	New York, N. Y.
30817	Instrument Specialties Co., Inc.	Little Falls, N. J.	72982	Eric Technological Products, Inc.	Eric, Pa.	80248	Oxford Electric Corp.	Chicago, Ill.
33173	G. E. Receiving Tube Dept.	Owensboro, Ky.	73061	Hansen Mfg. Co., Inc.	Princeton, Ind.	80294	Bourns Inc.	Riverside, Cal.
35434	Lectrohm Inc.	Chicago, Ill.	73076	H. M. Harper Co.	Chicago, Ill.	80411	Arco Div. of Robertshaw Controls Co.	Columbus, Ohio
36196	Stanwyck Coil Products, Ltd.	Hawkesbury, Ontario, Canada	73138	Helipot Div. of Beckman Inst., Inc.	Fullerton, Cal.	80486	All Star Products Inc.	Defiance, Ohio
36287	Cunningham, W. H. & Hill, Ltd.	Toronto, Ontario, Canada	73293	Hughes Products Division of Hughes Aircraft Co.	Newport Beach, Cal.	80509	Avery Label Co.	Monrovia, Cal.
37942	P. R. Mallory & Co., Inc.	Indianapolis, Ind.	73445	Amperex Elect. Co.	Hicksville, L. I., N. Y.	80583	Hammamund Co., Inc.	Mars Hill, N. C.
39543	Mechanical Industries Prod. Co.	Akron, Ohio	73506	Bradley Semiconductor Corp.	New Haven, Conn.	80640	Stevens, Arnold, Co., Inc.	Boston, Mass.
40920	Miniature Precision Bearings, Inc.	Keene, N. H.	73559	Carling Electric, Inc.	Hartford, Conn.	80813	Dimco Gray Co.	Dayton, Ohio
40931	Honeywell Inc.	Minneapolis, Minn.	73586	Circle F Mfg. Co.	Trenton, N. J.	81030	International Inst. Inc.	Orange, Conn.
42190	Muter Co.	Chicago, Ill.	73682	George K. Garrett Co., Div. MSL Industries, Inc.	Philadelphia, Pa.	81073	Grayhill Co.	LaGrange, Ill.
43990	C. A. Norgren Co.	Englewood, Colo.	73734	Federal Screw Products, Inc.	Chicago, Ill.	81095	Triad Transformer Corp.	Venice, Cal.
44655	Ohmite Mfg. Co.	Skokie, Ill.	73743	Fischer Special Mfg. Co.	Cincinnati, Ohio	81312	Winchester Elec. Div. Litton Ind., Inc.	Oakville, Conn.
46394	Penn Eng. & Mfg. Corp.	Doylestown, Pa.	73793	General Industries Co., The	Elyria, Ohio	81349	Military Specification	
47904	Polaroid Corp.	Cambridge, Mass.	73846	Goshen Stamping & Tool Co.	Goshen, Ind.	81483	International Rectifier Corp.	El Segundo, Cal.
48620	Precision Thermometer & Inst. Co.	Southampton, Pa.	73899	JFD Electronics Corp.	Brooklyn, N. Y.	81541	Airpax Electronics, Inc.	Cambridge, Maryland
49956	Microwave & Power Tube Div.	Waltham, Mass.	73905	Jennings Radio Mfg. Corp.	San Jose, Cal.	81860	Barry Controls, Div. Barry Wright Corp.	Watertown, Mass.
52090	Rowan Controller Co.	Westminster, Md.	73957	Groove-Pin Corp.	Ridgefield, N. J.	82042	Carter Precision Electric Co.	Skokie, Ill.
52983	HP Co., Med. Elec. Div.	Waltham, Mass.	74276	Signalite Inc.	Neptune, N. J.	82047	Sperli Faraday Inc., Copper Hewitt Electric Div.	Hoboken, N. J.
54294	Shallcross Mfg. Co.	Selma, N. C.	74455	J. H. Wims and Sons	Winchester, Mass.	82116	Electric Regulator Corp.	Norwalk, Conn.
55026	Simpson Electric Co.	Chicago, Ill.	74861	Industrial Condenser Corp.	Chicago, Ill.	82142	Jeffers Electronics Division of Speer Carbon Co.	Du Bois, Pa.
55933	Sonotone Corp.	Elmsford, N. Y.	74868	R. F. Products Division of Amphenol-Borg Electronic Corp.	Danbury, Conn.	82170	Fairchild Camera & Inst. Corp., Space & Defense Systems Div.	Paramus, N. J.
55938	Raytheon Co. Commercial Apparatus & System Div.	So. Norwalk, Conn.	74970	E. F. Johnson Co.	Waseca, Minn.	82209	Magurie Industries, Inc.	Greenwich, Conn.
56137	Spaulding Fibre Co., Inc.	Tonawanda, N. Y.	75042	International Resistance Co.	Philadelphia, Pa.	82219	Sylvania Electric Prod., Inc. Electronic Tube Division	Emporium, Pa.
56289	Sprague Electric Co.	North Adams, Mass.	75203	Keystone Carbon Co., Inc.	St. Marys, Pa.	82376	Astron Corp.	East Newark, Harrison, N. J.
58474	Superior Elec. Co.	Bristol, Conn.	75378	CTS Knights, Inc.	Sandwich, Ill.	82389	Switchcraft, Inc.	Chicago, Ill.
59446	Thelx Corp.	Tulsa, Okla.	75382	Kulka Electric Corp.	Mt. Vernon, N. Y.	82647	Metals & Controls Inc., Spencer Products	Attleboro, Mass.
59730	Thomas & Betts Co.	Elizabeth, N. J.	75818	Leuz Electric Mfg. Co.	Chicago, Ill.	82768	Phillips-Advance Control Co.	Joliet, Ill.
60741	Triplett Electrical Inst. Co.	Bluffton, Ohio	75915	Littlefuse, Inc.	Des Plaines, Ill.	82866	Research Products Corp.	Madison, Wis.
61775	Union Switch and Signal Div. of Westinghouse Air Brake Co.	Pittsburgh, Pa.	76005	Lord Mfg. Co.	Eric, Pa.	82877	Rolton Mfg. Co., Inc.	Woodstock, N. Y.
62119	Universal Electric Co.	Owosso, Mich.	76210	C. W. Marwedel	San Francisco, Cal.	82893	Vector Electronic Co.	Glendale, Cal.
63743	Ward-Leonard Electric Co.	Mt. Vernon, N. Y.	76433	General Instrument Corp., Micamold Division	Newark, N. J.	83058	Carr Fastener Co.	Cambridge, Mass.
64959	Western Electric Co., Inc.	New York, N. Y.	76487	James Millen Mfg. Co., Inc.	Malden, Mass.	83086	New Hampshire Ball Bearing, Inc.	Peterborough, N. H.
65082	Weston Inst. Inc.	Weston-Newark, Newark, N. J.	76493	J. W. Miller Co.	Los Angeles, Cal.	83125	General Instrument Corp., Capacitor Div.	Darlington, S. C.
68395	Witek Mfg. Co.	Chicago, Ill.	76530	Cinch-Monadnock, Div. of United Carr Fastener Corp.	San Leandro, Cal.	83148	ITT Wire and Cable Div.	Los Angeles, Cal.
68346	Minnesota Mining & Mfg. Co.	St. Paul, Minn.	76545	Mueller Electric Co.	Cleveland, Ohio	83186	Victory Eng. Corp.	Springfield, N. J.
70276	Allen Mfg. Co.	Hartford, Conn.	76703	National Union	Newark, N. J.	83298	Bendix Corp., Red Bank Div.	Red Bank, N. J.
70309	Allied Control	New York, N. Y.	76854	Oak Manufacturing Co.	Crystal Lake, Ill.	83324	Rosan Inc.	Newport Beach, Cal.
70318	Allmetal Screw Product Co., Inc.	Garden City, N. Y.	77068	The Bendix Corp., Electrodynamic Div.	N. Hollywood, Cal.	83330	Smith, Herman H., Inc.	Brooklyn, N. Y.
70417	Amplex, Div. of Chrysler Corp.	Detroit, Mich.	77075	Pacific Metals Co.	San Francisco, Cal.	83332	Tech Labs	Palisades Park, N. J.
70485	Atlantic India Rubber Works, Inc.	Chicago, Ill.	77221	Phaostroan Instrument and Electronic Co.	So. Pasadena, Cal.	83385	Central Screw Co.	Chicago, Ill.
70563	Amperite Co., Inc.	Union City, N. J.	77252	Philadelphia Steel and Wire Corp.	Philadelphia, Pa.	83501	Gavitt Wire and Cable Co., Div. of Amerace Corp.	Brookfield, Mass.
70674	ADC Products Inc.	Minneapolis, Minn.	77342	American Machine & Foundry Co., Potter & Brunfield Div.	Princeton, Ind.	83594	Burroughs Corp., Electronic Tube Div.	Plainfield, N. J.
70903	Belden Mfg. Co.	Chicago, Ill.	77630	TRW Electronic Components Div.	Camden, N. J.	83740	Union Carbide Corp., Consumer Prod. Div.	New York, N. Y.
70998	Bird Electric Corp.	Cleveland, Ohio	77638	General Instrument Corp., Rectifier Division	Brooklyn, N. Y.	83777	Model Eng. and Mfg., Inc.	Huntington, Ind.
71002	Birnbach Radio Co.	New York, N. Y.	77764	Resistance Products Co.	Harrisburg, Pa.	83821	Lloyd Scruggs Co.	Festus, Mo.
71034	Bliley Electric Co., Inc.	Eric, Pa.	77969	Rubbercraft Corp. of Calif.	Torrance, Cal.	83942	Aeronautical Inst. & Radio Co.	Lodi, N. J.
71041	Boston Gear Works Div. of Murray Co. of Texas	Quincey, Mass.	78189	Shakeproof Division of Illinois Tool Works	Elgin, Ill.	84171	Arco Electronics Inc.	Great Neck, N. Y.
71218	Bud Radio, Inc.	Willoughby, Ohio	78277	Sigma	So. Braintree, Mass.	84396	A. J. Glesener Co., Inc.	San Francisco, Cal.
71279	Cambridge Thermionics Corp.	Cambridge, Mass.	78283	Signal Indicator Corp.	New York, N. Y.	84411	TRW Capacitor Div.	Ogallala, Neb.
71286	Camloc Fastener Corp.	Paramus, N. J.	78290	Kruthers-Dunn Inc.	Pitman, N. J.			
71313	Cardwell Condenser Corp.	Lindenhurst, L. I., N. Y.						
71400	Bussmann Mfg. Div. of McGraw-Edison Co.	St. Louis, Mo.						
71436	Chicago Condenser Corp.	Chicago, Ill.						
71447	Calif. Spring Co., Inc.	Pico-Rivera, Cal.						
71450	CTS Corp.	Elkhart, Ind.						
71468	ITT Cannon Electric Inc.	Los Angeles, Cal.						
71471	Cinema, Div. Aerovox Corp.	Burbank, Cal.						

00015-49  
Revised: May, 1970

From: Handbook Supplements  
H4-1 Dated January 1970

## CODE LIST OF MANUFACTURERS (Continued)

Code No.	Manufacturer	Address	Code No.	Manufacturer	Address	Code No.	Manufacturer	Address
94870	Sarkes Tarzian, Inc.	Bloomington, Ind.	91929	Honeywell Inc., Micro Switch Division		96095	Hi-Q Div. of Aerovox Corp.	Olean, N. Y.
85454	Boonton Molding Company	Boonton, N. J.			Freeport, Ill.	96256	Thordarson-Meissner Inc.	Mt. Carmel, Ill.
85471	A. B. Boyd Co.	San Francisco, Cal.	91961	Nahm-Bros. Spring Co.	Oakland, Cal.	96296	Solar Mfg. Co.	Los Angeles, Cal.
85474	R. M. Bracamonte & Co.	San Francisco, Cal.	92180	Tru-Connector Corp.	Peabody, Mass.	96396	Microswitch, Div. of	
85660	Kolled Kords, Inc.	Hamden, Conn.	92367	Elgeet Optical Co., Inc.	Rochester, N. Y.		Mimm-Honeywell	Freeport, Ill.
85911	Seamless Rubber Co.	Chicago, Ill.	92607	Tensolite Insulated Wire Co., Inc.		96330	Carlton Screw Co.	Chicago, Ill.
86174	Fafnir Bearing Co.	Los Angeles, Calif.			Tarrytown, N. Y.	96341	Microwave Associates, Inc.	Burlington, Mass.
86197	Clifton Precision Products Co., Inc.		92702	IMC Magnetics Corp.	Westbury, L. I., N. Y.	96501	Excel Transformer Co.	Oakland, Cal.
		Clifton Heights, Pa.	92966	Hudson Lamp Co.	Kearney, N. J.	96508	Xcelite, Inc.	Orchard Park, N. Y.
86579	Precision Rubber Products Corp.	Dayton, Ohio	93332	Sylvania Electric Prod. Inc., Semiconductor Div.	Woburn, Mass.	96733	San Fernando Elec. Mfg. Co.	San Fernando, Cal.
86684	& Devices Division	Harrison, N. J.	93369	Hobbs & Myers Inc.	Pallisades Park, N. J.	96881	Thomson Ind. Inc.	Long Island, N. Y.
86928	Seastron Mfg. Co.	Glendale, Cal.	93410	Stemco Controls, Div. of Essex		97464	Industrial Retaining Ring Co.	Irvington, N. J.
87034	Marco Industries	Anaheim, Cal.			Mansfield, Ohio	97539	Automatic & Precision Mfg.	Englewood, N. J.
87216	Philco Corporation (Lansdale Division)		93632	Waters Mfg. Co.	Culver City, Cal.	97979	Reon Resistor Corp.	Yonkers, N. Y.
		Lansdale, Pa.	93929	G. V. Controls	Livingston, N. J.	97983	Litton System Inc., Adler-Westrex	
87473	Western Fibrous Glass Products Co.		94137	General Cable Corp.	Bayonne, N. J.		Commun. Div.	New Rochelle, N. Y.
		San Francisco, Cal.	94144	Raytheon Co., Comp. Div., Ind. Comp. Operations	Quincy, Mass.	98141	R-Tronics, Inc.	Jamaica, N. Y.
87664	Van Waters & Rogers Inc.	San Francisco, Cal.	94148	Scientific Electronics		98159	Rubber Teck, Inc.	Gardena, Cal.
87930	Tower Mfg. Corp.	Providence, R. I.			Loveland, Colo.	98220	Hewlett-Packard Co., Medical Elec. Div.	Pasadena, Cal.
88140	Cutler-Hammer, Inc.	Lincoln, Ill.	94154	Wagner Elect. Corp., Tung-Sol Div.	Newark, N. J.	98278	Microdot, Inc.	So. Pasadena, Cal.
88220	Gould-National Batteries, Inc.	St. Paul, Minn.	94197	Curtiss-Wright Corp., Electronics Div.	East Patterson, N. J.	98291	Seal Electro Corp.	Mamaroneck, N. Y.
88698	General Mills, Inc.	Buffalo, N. Y.	94222	South Chester Corp.	Chester, Pa.	98376	Zero Mfg. Co.	Burbank, Cal.
89231	Graybar Electric Co.	Oakland, Cal.	94330	Wire Cloth Products, Inc.	Bellwood, Ill.	98410	Etc. Inc.	Cleveland, Ohio
89473	G. E. Distributing Corp.	Schenectady, N. Y.	94375	Automatic Metal Products Co.	Brooklyn, N. Y.	98731	General Mills Inc., Electronics Div.	
89479	Security Co.	Detroit, Mich.	94682	Worcester Pressed Aluminum Corp.	Worcester, Mass.			Minneapolis, Minn.
89665	United Transformer Co.	Chicago, Ill.	94696	Magnecraft Electric Co.	Chicago, Ill.	98734	Pasco Division of Hewlett-Packard Co.	
90030	United Shoe Machinery Corp.	Beverly, Mass.	95023	George A. Philbrick Researchers, Inc.		98821	North Hills Electronics, Inc.	Glen Cove, N. Y.
90179	U. S. Rubber Co., Consumer Ind. & Plastics Prod. Div.	Passaic, N. J.			Boston, Mass.	98978	International Electronic Research Corp.	
90365	Bellefonte Speciality Tool Mfg., Inc.	Bellefonte, Pa.	95146	Alco Elect. Mfg. Co.	Lawrence, Mass.			Burbank, Cal.
		Belleville, Ill.	95236	Allies Products Corp.	Dania, Fla.	99109	Columbia Technical Corp.	New York, N. Y.
90763	United Carr Fastener Corp.	Chicago, Ill.	95238	Continental Connector Corp.	Woodside, N. Y.	99313	Varian Associates	Palo Alto, Cal.
90970	Bearing Engineering Co.	San Francisco, Cal.	95263	Leecraft Mfg. Co., Inc.	Long Island, N. Y.	99378	Atlee Corp.	Winchester, Mass.
91146	ITT Cannon Elect. Inc., Salem Div.		95275	National Coil Co.	Sheridan, Wyo.	99515	Marshall Ind., Capacitor Div.	Monrovia, Cal.
		Salem, Mass.	95348	Vitramon, Inc.	Bridgeport, Conn.	99707	Control Switch Division, Controls Co. of America	El Segundo, Cal.
91260	Connor Spring Mfg. Co.	San Francisco, Cal.	95354	Gordos Corp.	Bloomfield, N. J.	99800	Delevan Electronics Corp.	East Aurora, N. Y.
91345	Miller Dial & Nameplate Co.	El Monte, Cal.	95566	Method Mfg. Co.	Rolling Meadows, Ill.	99848	Wilco Corporation	Indianapolis, Ind.
91418	Radio Materials Co.	Chicago, Ill.	95712	Arnold Engineering Co.	Marengo, Ill.	99928	Branson Corp.	Whippany, N. J.
91506	Augat Inc.	Aittleboro, Mass.	95787	Dage Electric Co., Inc.	Franklin, Ind.	99934	Rembrandt, Inc.	Boston, Mass.
91637	Dale Electronics, Inc.	Columbus, Nebr.	95884	Siemon Mfg. Co.	Wayne, Ill.	99942	Hoffman Electronics Corp., Semiconductor Division	El Monte, Cal.
91662	Eico Corp.	Willow Grove, Pa.	95887	Weckesser Co.	Chicago, Ill.	99957	Technology-Instrument Corp. of California	Newbury Park, Cal.
91673	Epiphone Inc.	New York, N. Y.	96067	Microwave Assoc., West, Inc.	Sunnyvale, Cal.			
91737	Gremar Mfg. Co., Inc.	Wakefield, Mass.						
91827	K F Development Co.	Redwood City, Cal.						
91886	Malco Mfg., Inc.	Chicago, Ill.						

The following HP Vendors have no number assigned in the latest supplement to the Federal Supply Code for Manufacturers Handbook.

0000F	Malco Tool and Die	Los Angeles, Calif.	000CS	Hewlett-Packard Co., Colorado Springs Div.	Colorado Springs, Colorado	000QQ	Cooltron	Oakland, Cal.
0000Z	Willow Leather Products Corp.	Newark, N. J.	000MM	Rubber Eng. & Development	Hayward, Cal.	000WW	California Eastern Lab.	Burlington, Cal.
000AB	ETA	England	000NN	A "N" D Mfg. Co.	San Jose, Cal.	000YY	S. K. Smith Co.	Los Angeles, Cal.
000BB	Precision Instrument Comp. Co.	Van Nuys, Cal.						

## SALES &amp; SERVICE OFFICES

## UNITED STATES

**ALABAMA**  
P.O. Box 4207  
2003 Byrd Spring Road S.W.  
Huntsville 35802  
Tel: (205) 881-4591  
TWX: 810-726-2204

**ARIZONA**  
2336 E. Magnolia St.  
Phoenix 85034  
Tel: (602) 252-5051  
TWX: 910-951-1390  
5737 East Broadway  
Tucson 85716  
Tel: (602) 298-2313  
TWX: 910-952-1162

**CALIFORNIA**  
1430 East Orangethorpe Ave.  
Fullerton 92631  
Tel: (714) 870-1000  
3939 Lankershim Boulevard  
North Hollywood 91604  
Tel: (213) 877-1282  
TWX: 910-499-2170

1101 Embarcadero Road  
Palo Alto 94303  
Tel: (415) 327-6500  
TWX: 910-373-1280

2220 Watt Ave.  
Sacramento 95825  
Tel: (916) 482-1463  
TWX: 910-367-2092  
9606 Aero Drive  
San Diego 92123  
Tel: (714) 279-3200  
TWX: 910-335-2000

**COLORADO**  
7965 East Prentice  
Englewood 80110  
Tel: (303) 771-3455  
TWX: 910-935-0705

**CONNECTICUT**  
508 Tolland Street  
East Hartford 06108  
Tel: (203) 289-9394  
TWX: 710-425-3416

111 East Avenue  
Norwalk 06851  
Tel: (203) 853-1251  
TWX: 710-468-3750  
**FLORIDA**  
P.O. Box 24210  
2806 W. Oakland Park Blvd.  
Ft. Lauderdale 33307  
Tel: (305) 731-2620  
TWX: 510-955-4099

P.O. Box 20007  
Herndon Station 32814  
621 Commonwealth Avenue  
Orlando  
Tel: (305) 841-3970  
TWX: 810-850-0113

**GEORGIA**  
P.O. Box 28234  
450 Interstate North  
Atlanta 30323  
Tel: (404) 436-6181  
TWX: 810-766-4890

**ILLINOIS**  
5500 Howard Street  
Skokie 60075  
Tel: (312) 677-0400  
TWX: 910-223-3613

**INDIANA**  
3839 Meadows Drive  
Indianapolis 46205  
Tel: (317) 546-4891  
TWX: 810-341-3263

**LOUISIANA**  
P.O. Box 856  
1942 Williams Boulevard  
Kenner 70062  
Tel: (504) 721-6201  
TWX: 810-955-5824

**MARYLAND**  
6707 Whitestone Road  
Baltimore 21207  
Tel: (301) 944-5400  
TWX: 710-862-0850

P.O. Box 1648  
2 Choke Cherry Road  
Rockville 20850  
Tel: (301) 948-6370  
TWX: 710-828-9684

**MASSACHUSETTS**  
32 Hartwell Ave.  
Lexington 02173  
Tel: (617) 861-8960  
TWX: 710-926-6904

**MICHIGAN**  
24315 Northwestern Highway  
Southfield 48075  
Tel: (313) 353-9100  
TWX: 810-224-4862

**MINNESOTA**  
2459 University Avenue  
St. Paul 55114  
Tel: (612) 645-9461  
TWX: 910-563-3734

**MISSOURI**  
11131 Colorado Ave.  
Kansas City 64137  
Tel: (816) 763-8000  
TWX: 910-771-2087

2812 South Brentwood Blvd.  
St. Louis 63144  
Tel: (314) 962-5000  
TWX: 910-760-1670

**NEW JERSEY**  
W. 120 Century Road  
Paramus 07652  
Tel: (201) 265-5000  
TWX: 710-990-4951

1060 N. Kings Highway  
Cherry Hill 08034  
Tel: (609) 687-4000  
TWX: 710-892-4945

**NEW MEXICO**  
P.O. Box 5366  
Station C  
6501 Lomas Boulevard N.E.  
Albuquerque 87108  
Tel: (505) 265-3713  
TWX: 910-889-1665

156 Wyatt Drive  
Las Cruces 88001  
Tel: (505) 526-2485  
TWX: 910-983-0550

**NEW YORK**  
1702 Central Avenue  
Albany 12205  
Tel: (518) 869-8462  
TWX: 710-441-8270

1219 Campville Road  
Endicott 13760  
Tel: (607) 754-0050  
TWX: 510-252-0890

82 Washington Street  
Poughkeepsie 12601  
Tel: (914) 454-7330  
TWX: 510-248-0012

39 Saginaw Drive  
Rochester 14623  
Tel: (716) 473-9500  
TWX: 510-253-5981

1025 Northern Boulevard  
Roslyn, Long Island 11576  
Tel: (516) 869-6400  
TWX: 510-223-0811

5858 East Molloy Road  
Syracuse 13211  
Tel: (315) 454-2486  
TWX: 710-541-0482

**NORTH CAROLINA**  
P.O. Box 5188  
1923 North Main Street  
High Point 27262  
Tel: (919) 885-8101  
TWX: 810-926-1516

**OHIO**  
25575 Center Ridge Road  
Cleveland 44145  
Tel: (216) 835-0300  
TWX: 810-427-9129

3460 South Dixie Drive  
Dayton 45439  
Tel: (513) 298-0351  
TWX: 810-459-1925  
1120 Morse Road  
Columbus 43229  
Tel: (614) 846-1300

**OKLAHOMA**  
2819 United Founders Boulevard  
Oklahoma City 73112  
Tel: (405) 848-2801  
TWX: 910-830-6862

**OREGON**  
Westhills Mall, Suite 158  
4475 S.W. Scholls Ferry Road  
Portland 97225  
Tel: (503) 292-9171  
TWX: 910-464-6103

**PENNSYLVANIA**  
2500 Moss Side Boulevard  
Monroeville 15146  
Tel: (412) 271-0724  
TWX: 710-797-3650

1021 8th Avenue  
King of Prussia Industrial Park  
King of Prussia 19406  
Tel: (215) 255-7000  
TWX: 510-660-2670

**RHODE ISLAND**  
873 Waterman Ave.  
East Providence 02914  
Tel: (401) 434-5535  
TWX: 710-381-7573

**TEXAS**  
P.O. Box 3270  
201 E. Arapaho Rd.  
Richardson 75080  
Tel: (214) 221-6101  
TWX: 910-867-4723

P.O. Box 22813  
6300 Westpark Drive  
Suite 100  
Houston 77027  
Tel: (713) 781-6000  
TWX: 910-861-2645

231 Billy Mitchell Road  
San Antonio 78226  
Tel: (512) 434-4171  
TWX: 910-871-1170

**UTAH**  
2890 South Main Street  
Salt Lake City 84115  
Tel: (801) 487-0715  
TWX: 910-925-5681

**VERMONT**  
P.O. Box 2287  
Kennedy Drive  
South Burlington 05401  
Tel: (802) 559-4455  
TWX: 710-224-1841

**VIRGINIA**  
P.O. Box 6514  
2111 Spencer Road  
Bashwood 23220  
Tel: (703) 285-3431  
TWX: 710-956-0157

**WASHINGTON**  
455-108th N.E.  
Bellevue 98004  
Tel: (206) 454-3971  
TWX: 910-443-2303

**\*WEST VIRGINIA**  
Charleston  
Tel: (304) 768-1232

**FOR U.S. AREAS NOT LISTED:**  
Contact the regional office nearest you: Atlanta, Georgia... North Hollywood, California... Paramus, New Jersey... Skokie, Illinois. Their complete addresses are listed above.  
\*Service Only

## CANADA

**ALBERTA**  
Hewlett-Packard (Canada) Ltd.  
11745 Jasper Ave.  
Edmonton  
Tel: (403) 482-5561  
TWX: 610-831-2431

**BRITISH COLUMBIA**  
Hewlett-Packard (Canada) Ltd.  
4519 Canada Way  
North Burnaby 2  
Tel: (604) 433-8213  
TWX: 610-922-5059

**MANITоба**  
Hewlett-Packard (Canada) Ltd.  
511 Bradford Ct.  
St. James  
Tel: (204) 786-7581  
TWX: 610-671-3531

**NOVA SCOTIA**  
Hewlett-Packard (Canada) Ltd.  
2745 Dutch Village Rd.  
Suite 203  
Halifax  
Tel: (902) 455-0511  
TWX: 610-271-4482

**ONTARIO**  
Hewlett-Packard (Canada) Ltd.  
880 Lady Ellen Place  
Ottawa 3  
Tel: (613) 722-4223  
TWX: 610-562-1952

**QUEBEC**  
Hewlett-Packard (Canada) Ltd.  
275 Hymus Boulevard  
Pointe Claire  
Tel: (514) 697-4232  
TWX: 610-423-3022  
Telex: 01-20507

Hewlett-Packard (Canada) Ltd.  
50 Galaxy Blvd.  
Rexdale  
Tel: (416) 677-9611  
TWX: 610-492-4246

**FOR CANADIAN AREAS NOT LISTED:**  
Contact Hewlett-Packard (Canada) Ltd. in Pointe Claire, at the complete address listed above.

## CENTRAL AND SOUTH AMERICA

**ARGENTINA**  
Hewlett-Packard Argentina  
S.A.C.e.I.  
Lavalle 1171 - 3°  
Buenos Aires  
Tel: 35-0436, 35-0627, 35-0431  
Telex: 012-1009  
Cable: HEWPACKARG

**BRAZIL**  
Hewlett-Packard Do Brasil  
I.e.C. Ltda.  
Rua Frei Caneca 1119  
Sao Paulo - 3, SP  
Tel: 289-7111, 287-5858  
Cable: HEWPACK Sao Paulo

Hewlett-Packard Do Brasil  
I.e.C. Ltda.  
Rua da Matriz 29  
Botafogo 20-02  
Rio de Janeiro, GB  
Tel: 246-4417  
Cable: HEWPACK Rio de Janeiro

Hewlett-Packard Do Brasil  
Industria e Comercio Ltda.  
Praça Dom Feliciano 78  
Salas 806-8  
Porto Alegre RGS

**CHILE**  
Héctor Calcagni y Cia, Ltda.  
Bustos, 1932-3er Piso  
Casilla 13942  
Santiago  
Tel: 4-2396  
Cable: Calcagni Santiago

**COLOMBIA**  
Instrumentacion  
Henrik A. Langebaek & Kier  
Ltda.  
Carrera 7 No. 48-59  
Apartado Aereo 6287  
Bogota, 1 D.E.  
Tel: 45-78-06, 45-55-46  
Cable: AARIS Bogota  
Telex: 044-400

**COSTA RICA**  
Lic. Alfredo Gallegos Gurdán  
Apartado 3243  
San José  
Tel: 21-86-13  
Cable: GALGUR San José

**ECUADOR**  
Laboratorios de Radio-Ingeniería  
Calle Guayaquil 1246  
Post Office Box 3199  
Quito  
Tel: 12495  
Cable: HORVATH Quito

**EL SALVADOR**  
Electrónica  
Apartado Postal 1589  
27 Avenida Norte 1133  
San Salvador  
Tel: 25-74-50  
Cable: ELECTRONICA  
San Salvador

**GUATEMALA**  
Olander Associates Latin America  
Apartado Postal 1228  
Ruta 4, 6-53, Zona 4  
Guatemala City  
Tel: 63958  
Cable: OLALA Guatemala City

**MEXICO**  
Hewlett-Packard Mexicana, S.A.  
de C.V.  
Moras 439  
Col. del Valle  
Mexico 12, D.F.  
Tel: 575-46-49, 575-80-20,  
575-80-30

**NICARAGUA**  
Roberto Terán G.  
Apartado Postal 589  
Edificio Terán  
Managua  
Tel: 3451, 3452  
Cable: ROTERAN Managua

**PANAMA**  
Electrónico Balboa, S.A.  
P.O. Box 4929  
Ave. Manuel Espinosa No. 13-50  
Bldg. Alina  
Panama City  
Tel: 30833  
Cable: ELECTRON Panama City

**PERU**  
Fernando Ezeta B.  
Avenida Petit Thouars 4719  
Miraflores  
Casilla 3061  
Lima  
Tel: 45-2335  
Cable: FEPERU Lima

**PUERTO RICO**  
San Juan Electronics, Inc.  
P.O. Box 5167  
Ponce de Leon 154  
Paseo 3-Pia de Tierra  
San Juan 00906  
Tel: (809) 725-3342  
Cable: SATRONICS San Juan  
Telex: SATRON 3450 332

**SURINAME**  
Surte-Radio Holland N.V.  
P.O. Box 155  
Paramaribo

**URUGUAY**  
Pablo Ferrando S.A.  
Comercial e Industrial  
Avenida Italia 2877  
Casilla de Correo 370  
Montevideo  
Tel: 40-3102  
Cable: RADIUM Montevideo

**VENEZUELA**  
Hewlett-Packard De Venezuela  
C.A.  
Apartado 50933  
Caracas  
Tel: 71.88.05, 71.88.69, 71.99.30  
Cable: HEWPACK Caracas

**FOR AREAS NOT LISTED, CONTACT:**  
Hewlett-Packard  
INTERCONTINENTAL  
3200 Hillview Ave.  
Palo Alto, California 94304  
Tel: (415) 326-7000  
(Feb. 71 493-1501)  
TWX: 910-373-1267  
Cable: HEWPACK Palo Alto  
Telex: 934-8461



## EUROPE

**AUSTRIA**  
Unilabor GmbH  
Wissenschaftliche Instrumente  
Rummelhardtgasse 6  
P.O. Box 33  
Vienna A-1095  
Tel: (222) 42 61 81, 43 13 94  
Cable: LABORINSTRUMENT  
Vienna  
Telex: 75 762

**BELGIUM**  
Hewlett-Packard S.A. Benelux  
348 Boulevard du Souverain  
Brussels 1160  
Cable: PALOBEN Brussels  
Telex: 23 494

**DENMARK**  
Hewlett-Packard A/S  
Datavej 38  
DK-3460 Birkerød  
Tel: (01) 81 66 40  
Cable: HEWPACK AS  
Telex: 65 40

Hewlett-Packard A/S  
Torvet 9  
DK-8600 Silkeborg  
Tel: (06) 827-840

**FINLAND**  
Hewlett-Packard Oy  
Bulevardi 26  
P.O. Box 12185  
Helsinki 12  
Tel: 13-730  
Cable: HEWPACKOY-Helsinki  
Telex: 12-1563

**FRANCE**  
Hewlett-Packard France  
Quartier de Courtabouef  
Boite Postale No. 6  
91 Orsay  
Tel: 1-920 88 61  
Cable: HEWPACK Orsay  
Telex: 60048

Hewlett-Packard France  
4 Quai des Etoiles  
69 Lyon 5ème  
Tel: 78-42 63 45  
Cable: HEWPACK Lyon  
Telex: 31617

Hewlett-Packard France  
29 rue de la Gara  
F-31 Blagnac  
Tel: (61) 85 82 29  
Telex: 51957

**GERMANY**  
Telex: 41 32 49 FRA  
Berliner Strasse 117  
6 Nieder-Eschbach/Frankfurt 56  
Tel: (0611) 50 10 64  
Cable: HEWPACKSA Frankfurt  
Hewlett-Packard Vertriebs-GmbH

Hewlett-Packard Vertriebs-GmbH  
Lietzenburgerstrasse 30  
1 Berlin 30  
Tel: (0311) 211 60 16  
Telex: 18 34 05

Hewlett-Packard Vertriebs-GmbH  
Herrenbergerstrasse 110  
703 Böblingen, Württemberg  
Tel: 07031-6671  
Cable: HEPAO Böblingen  
Telex: 72 65 739

Hewlett-Packard Vertriebs-GmbH  
Achenbachstrasse 15  
4 Düsseldorf 1  
Tel: (0211) 68 52 58/59  
Telex: 85 86 533

Hewlett-Packard Vertriebs-GmbH  
Wendenstr. 23  
2 Hamburg 1  
Tel: (0411) 24 05 51/52  
Cable: HEWPACKSA Hamburg  
Telex: 21 53 32

Hewlett-Packard Vertriebs-GmbH  
Reginfriedstrasse 13  
8 München 9  
Tel: (0811) 69 59 71/75  
Cable: HEWPACKSA München  
Telex: 62 49 85

**GREECE**  
Kostas Karayannis  
18, Ermou Street  
Athens 125  
Tel: 230301, 3, 5  
Cable: RAKAR ATHAS  
Telex: 21 59 62 RKAR GR

**IRELAND**  
Hewlett-Packard Ltd.  
224 Bath Road  
Slough, Bucks, England  
Tel: Slough 753-3341  
Cable: HEWPIE Slough  
Telex: 84413

**ITALY**  
Hewlett-Packard Italiana S.p.A.  
Via Amerigo Vesputci 2  
20124 Milano  
Tel: (2) 6251 (10 lines)  
Cable: HEWPACKIT Milan  
Telex: 32046

Hewlett-Packard Italiana S.p.A.  
Palazzo Italia  
Piazza Marconi 25  
00144 Rome - Eur  
Tel: 6-591 2544  
Cable: HEWPACKIT Rome  
Telex: 61514

**NETHERLANDS**  
Hewlett-Packard Benelux, N.V.  
Weerdestein 117  
P.O. Box 7825  
Amsterdam, Z.11  
Tel: 020-42 7777  
Cable: PALOBEN Amsterdam  
Telex: 13 216

**NORWAY**  
Hewlett-Packard Norge A/S  
Box 149  
Nesveien 13  
N-1344 Haslum  
Tel: 2-93 83 60  
Cable: HEWPACK Oslo  
Telex: 16621

**PORTUGAL**  
Telectra  
Empresa Tecnica de  
Equipamentos  
Electricos, S.a.r.l.  
Rua Rodrigo da Fonseca 103  
P.O. Box 2531  
Lisbon 1  
Tel: 68 60 72  
Cable: TELECTRA Lisbon  
Telex: 1598

**SPAIN**  
Enrique Larreta 12  
Madrid, 16  
Tel: 215 35 43  
Cable: TELEATAIO Madrid  
Ataio Ingenieros SA  
Telex: 27249E  
Ataio Ingenieros SA  
Ganduxer 76  
Barcelona 6  
Tel: 211-44-66  
Cable: TELEATAIO BARCELONA

**SWEDEN (Jan 71)**  
Hewlett-Packard Sverige AB  
Enighetsvägen 1-3  
Fack  
S-16120 Bromma 20  
Tel: (08) 98 12 50  
Cable: MEASUREMENTS  
Stockholm  
Telex: 10721

Hewlett-Packard Sverige AB  
Hagakergatan 9C  
S 431 04 Mölndal 4  
Tel: 031 - 27 68 00

**SWITZERLAND**  
Hewlett-Packard Schweiz AG  
Zürcherstrasse 20  
8952 Schlieren  
Zürich  
Tel: (051) 98 18 21/24  
Cable: HPAG CH  
Telex: 53933

Hewlett-Packard Schweiz A.G.  
Rue du Bois-du-Lan 7  
1217 Meyrin 2 Geneva  
Tel: (022) 61 54 05  
Cable: HEWPACKSA Geneva  
Telex: 2 24 86

**TURKEY**  
Telekon Engineering Bureau  
P.O. Box 376  
Karakoy  
Istanbul  
Tel: 49 40 40  
Cable: TELEMATION Istanbul

**UNITED KINGDOM**  
Hewlett-Packard Ltd.  
224 Bath Road  
Slough, Bucks  
Tel: Slough (0753) 33341  
Cable: HEWPIE Slough  
Telex: 84413

Hewlett-Packard Ltd.  
The Graddons  
Stamford New Road  
Aitfrincham, Cheshire  
Tel: 061 928-8626  
Telex: 668068

**YUGOSLAVIA**  
Belran S.A.  
83 avenue des Mimosas  
Brussels 1150, Belgium  
Tel: 34 33 32, 34 26 19  
Cable: BELRAMEL Brussels  
Telex: 21790

**SOCIALIST COUNTRIES**  
**PLEASE CONTACT:**  
Correspondence Office for  
Eastern Europe  
Innsbrasse 23/2  
Postfach  
A1204 Vienna, Austria  
Tel: (222) 3365 05/09  
Cable: HEWPACK Vienna  
Telex: 75923

**ALL OTHER EUROPEAN**  
**COUNTRIES CONTACT:**  
Hewlett-Packard S.A.  
Rue du Bois-du-Lan 7  
1217 Meyrin 2 Geneva  
Switzerland  
Tel: (022) 41 54 00  
Cable: HEWPACKSA Geneva  
Telex: 2.24.86

## AFRICA, ASIA, AUSTRALIA

**ANGOLA**  
Telectra Empresa Técnica  
de Equipamentos Eléctricos  
SAR  
Rua de Barbosa Rodrigues  
42-15  
Box 6487  
Luanda  
Cable: TELECTRA Luanda

**AUSTRALIA**  
Hewlett-Packard Australia  
Pty. Ltd.  
22-26 Weir Street  
Glen Iris, 3146  
Victoria  
Tel: 20 1371 (6 lines)  
Cable: HEWPARD Melbourne  
Telex: 31024

Hewlett-Packard Australia  
Pty. Ltd.  
61 Alexander Street  
Crows Nest 2065  
New South Wales  
Tel: 43 7866  
Cable: HEWPARD Sydney  
Telex: 21561

Hewlett-Packard Australia  
Pty. Ltd.  
87 Churchill Road  
Prospect 5082  
South Australia  
Tel: 65 2365  
Cable: HEWPARD Adelaide

Hewlett-Packard Australia  
Pty. Ltd.  
2nd Floor, Suite 13  
Casalancia Buildings  
195 Adelaide Terrace  
Perth, W.A. 6000  
Tel: 21-3330  
Cable: HEWPARD Perth

Hewlett-Packard Australia  
Pty. Ltd.  
10 Woolley Street  
P.O. Box 191  
Dickson A.C.T. 2602  
Tel: 49-8194  
Cable: HEWPARD Canberra ACT

**CEYLON**  
United Electricals Ltd.  
P.O. Box 681  
Yahala Building  
Stables Street  
Colombo 2  
Tel: 5496  
Cable: HOTPOINT Colombo

**CYPRUS**  
Kypronic  
19 Gregorios & Xenopoulos Road  
P.O. Box 1152  
Nicosia  
Tel: 6802-75628  
Cable: HE-INAMI

**ETHIOPIA**  
African Salespower & Agency  
Private Ltd., Co.  
P.O. Box 718  
58/59 Cunningham St.  
Addis Ababa  
Tel: 12285  
Cable: ASACO Addisababa

**HONG KONG**  
Schmidt & Co. (Hong Kong) Ltd.  
P.O. Box 297  
1511, Prince's Building 15th Floor  
10, Chater Road  
Hong Kong  
Tel: 240168, 232735  
Cable: SCHMIDTGO Hong Kong

**INDIA**  
Blue Star Ltd.  
Kasturi Buildings  
Janshedji Tata Rd.  
Bombay 20BR, India  
Tel: 29 50 21  
Telex: 23995  
Cable: BLUEFROST

Blue Star Ltd.  
Band Box House  
Prabhadevi  
Bombay 25DD, India  
Tel: 45 73 01  
Telex: 23995  
Cable: BLUESTAR

Blue Star Ltd.  
14/40 Civil Lines  
Kanpur, India  
Tel: 6 88 82  
Cable: BLUESTAR

Blue Star Ltd.  
7 Hare Street  
P.O. Box 506  
Calcutta 1, India  
Tel: 23-0131  
Telex: 655  
Cable: BLUESTAR

Blue Star Ltd.  
Blue Star House,  
34 Ring Road  
Lajpatt Nagar  
New Delhi 24, India  
Tel: 62 32 76  
Telex: 463  
Cable: BLUESTAR

Blue Star Ltd.  
17-C Utsoor Road  
Bangalore-8

Blue Star Ltd.  
96 Park Lane  
Secunderabad 3, India  
Tel: 7 83 91  
Cable: BLUEFROST

Blue Star, Ltd.  
23/24 Second Line Beach  
Madras 1, India  
Tel: 2 39 55  
Telex: 379  
Cable: BLUESTAR

Blue Star, Ltd.  
18 Kaiser Bungalow  
Dindli Road  
Jamshedpur, India  
Tel: 38 04  
Cable: BLUESTAR

**INDONESIA**  
BHD Baiton Trading Coy. N.V.  
Djaloh Merdeka 29  
Bandung  
Tel: 4915 51560  
Cable: IHMU  
Telex: 809

**IRAN**  
Telecom, Ltd.  
P.O. Box 1812  
240 Kh. Saba Shomali  
Tehran  
Tel: 43850, 48111  
Cable: BASCOM Teheran

**ISRAEL**  
Electronics & Engineering  
Div. of Motorola Israel Ltd.  
17 Amnadav Street  
Tel-Aviv  
Tel: 36941 (3 lines)  
Cable: BASTEL Tel-Aviv  
Telex: Bastel Tv 033-559

**JAPAN**  
Yokogawa-Hewlett-Packard Ltd.  
Chashi Building  
59 Yoyogi 1-chrome  
Shibuya-ku, Tokyo  
Tel: 03-370-2281/7  
Telex: 232-2024YHP  
Cable: YHPMARKET TOK 23-724

Yokogawa-Hewlett-Packard Ltd.  
Nisai Ibaragi Bldg.  
2-2-8 Kasuga  
Ibaragi-Shi  
Osaka  
Tel: 23-1641

Yokogawa-Hewlett-Packard Ltd.  
Ito Building  
No. 59, Kotori-cho  
Nakamura-ku, Nagoya City  
Tel: 551-0215

Yokogawa-Hewlett-Packard Ltd.  
Nitto Bldg.  
2300 Shinohara-cho,  
Kohoku-ku  
Yokohama 222  
Tel: (405) 432-1504/5

**KENYA**  
R. J. Tibbory Ltd.  
P.O. Box 2754  
Suite 517/518  
Hotel Ambassador  
Nairobi  
Tel: 25670, 68206, 58196  
Cable: ARIAYTEE Nairobi

**LEBANON**  
Constantin E. Macridis  
Clemenceau Street  
P.O. Box 7213  
Beirut  
Tel: 220846  
Cable: ELECTRONUCLEAR Beirut

**MALAYSIA**  
MECOMB Malaysia Ltd.  
2 Lorong 13/6A  
Section 13  
Petaling Jaya, Selangor  
Cable: MECOMB Kuala Lumpur

**MOZAMBIQUE**  
A. N. Goncalves, LDA.  
4.1 Apt. 14 Av. D. Luis  
P.O. Box 107  
Lourenco Marques  
Cable: NEGOM

**NEW ZEALAND**  
Hewlett-Packard (N.Z.) Ltd.  
32-34 Kent Terrace  
P.O. Box 9443  
Wellington, N.Z.  
Tel: 56-559  
Cable: HEWPACK Wellington  
Hewlett-Packard (N.Z.) Ltd.  
Box 51092  
Pukuranga  
Tel: 573-733

**PAKISTAN (EAST)**  
Mushko & Company, Ltd.  
Zirat Chambers  
31, Jinnah Avenue  
Dacca  
Tel: 280058  
Cable: NEWDEAL Dacca

**PAKISTAN (WEST)**  
Mushko & Company, Ltd.  
Oosman Chambers  
Victoria Road  
Karachi 3  
Tel: 511027, 512827  
Cable: COOPERATOR Karachi

**PHILIPPINES**  
Electromex Inc.  
Makati Commercial Center  
2129 Pasong Tamo  
Makati, Rizal D 708  
P.O. Box 1028  
Manila  
Tel: 89-85-01  
Cable: ELEMEX Manila

**SINGAPORE**  
Mechanical and Combustion  
Engineering Company Ltd.  
9, Jalan Kilang  
Red Hill Industrial Estate  
Singapore, 3  
Tel: 642361-3  
Cable: MECOMB Singapore

**SOUTH AFRICA**  
Hewlett-Packard South Africa  
(Pty.) Ltd.  
P.O. Box 31716  
Braamfontein Transvaal  
Johannesburg  
Tel: 725-2080, 725-2030  
Telex: 0226 JH  
Cable: HEWPACK Johannesburg

Hewlett-Packard South Africa  
(Pty.) Ltd.  
Bree Street  
Cape Town  
Tel: 3-6019, 3-6545  
Cable: HEWPACK Cape Town  
Telex: 5-0006

Hewlett-Packard South Africa  
(Pty.) Ltd.  
30B Glenwood Centre  
Corner Hunt & Moore Roads  
P.O. Box 99  
Overport, Natal  
Tel: 347536

**TAIWAN REP. OF CHINA**  
Hewlett-Packard Taiwan  
39 Chung Shiao West  
Sec. 1  
Overseas Insurance  
Corp. Bldg. 7th Floor  
Taipei  
Tel: 579-605, 579-610, 579-613  
Telex: c/o Bankamerica TP 339  
Cable: HEWPACK Taipei

**THAILAND**  
The International  
Engineering Co., Ltd.  
P.O. Box 39  
614 Sukhumvit Road  
Bangkok  
Tel: 910722 (7 lines)  
Cable: GTSOM  
TLX INTENCO BK-226 Bangkok

**VIETNAM**  
Peninsular Trading Inc.  
P.O. Box H-3  
216 Hien-Vuong  
Saigon  
Tel: 20.805  
Cable: PENINSULA Saigon

**ZAMBIA**  
R. J. Tibbory (Zambia) Ltd.  
P.O. Box 2792  
Lusaka  
Zambia, Central Africa

**MEDITERRANEAN AND**  
**MIDDLE EAST COUNTRIES**  
**NOT SHOWN PLEASE**  
**CONTACT:**  
Hewlett-Packard Correspondence  
Office  
Piazza Marconi 25  
1-00144 Rome-Eur, Italy  
Tel: (6) 59 40 29  
Cable: HEWPACKIT Rome  
Telex: 61514

**OTHER AREAS NOT**  
**LISTED, CONTACT:**  
Hewlett-Packard  
INTERCONTINENTAL  
3209 Hillview Ave.  
Palo Alto, California 94304  
Tel: (415) 326-7000  
(Feb. 71 493-1501)  
TWX: 910-373-1267  
Cable: HEWPACK Palo Alto  
Telex: 034-8461