

P/N: T199163

Copyright

© 2015, FLIR Systems, Inc.

All rights reserved worldwide. Names and marks appearing herein are either registered trademarks or trademarks of FLIR Systems and/or its subsidiaries. All other trademarks, trade names or company names referenced herein are used for identification only and are the property of their respective owners.

Document identity

Publ. No.: T199163
 Release:
 Commit: 28462
 Language: en-US
 Modified: 2015-09-15
 Formatted: 2015-10-17

Disclaimer

Specifications subject to change without further notice. Camera models and accessories subject to regional market considerations. License procedures may apply. Products described herein may be subject to US Export Regulations. Please refer to exportquestions@flir.com with any questions.



General description

Front mounting plate kit for mounting a FLIR AX8 camera. Includes cooling bracket.

Physical data

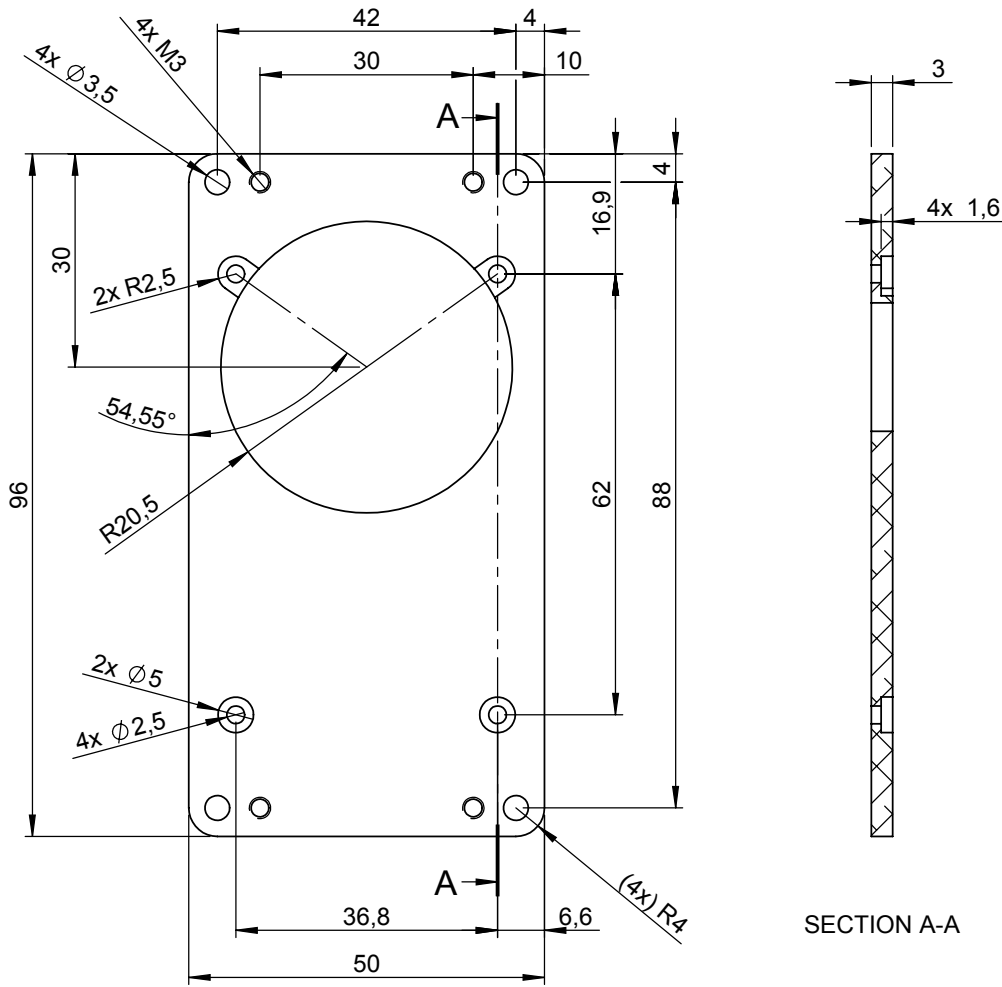
Shipping information

Packaging, type	Cardboard box
List of contents	<ul style="list-style-type: none"> • Front mounting plate • Cooling bracket • Screws
Packaging, weight	0.269 kg (0.59 lb.)
Packaging, size	183 × 136 × 63 mm (7.2 × 5.4 × 2.5 in.)
EAN-13	4743254002135
UPC-12	845188011659
Country of origin	Sweden x

Compatible with the following products

- 71201-0101; FLIR AX8 9 Hz

This document must not be communicated or copied completely or in part, without our permission. Any infringement will lead to legal proceedings. FLIR SYSTEMS AB



SECTION A-A

Handling får ej delges annan, kopieras i hel eller delar utan vårt medgivande. Översättning, återtryck eller användning i andra sammanhang är förbjuden. FLIR SYSTEMS AB

Konstr/Drawn J. MÄKINEN	Datum/Date 2015-03-06	Kontr/Check HAOS	Material EN AW-5052 or EN AW-5754			
Ändrad av/Modified by J. MÄKINEN	Ändrad/Modified 2015-05-21	Ytjämnhet/Roughness Ra μm	Ytbehandling/Surface treatment			
Där ej annat anges/Unless otherwise stated Gen tol ISO 2768-mK Utdrag ur/Excerpt from ISO 2768-m	Benämning/Denomination Plate mounting front			Skala/Scale 1:1		Blad/Sheet 1(1)
0,5-6 ±0,1 Hålkårsradier (6)-30 ±0,2 Fillet radii (30)-120 ±0,3				Art.No.	Size A4	
				Ritn nr/Drawing No	Rev	

