

## P/N: T198166

### Copyright

© 2016, FLIR Systems, Inc.

All rights reserved worldwide. Names and marks appearing herein are either registered trademarks or trademarks of FLIR Systems and/or its subsidiaries. All other trademarks, trade names or company names referenced herein are used for identification only and are the property of their respective owners.

### Document identity

Publ. No.: T198166

Release:

Commit: 29700

Language: en-US

Modified: 2015-10-16

Formatted: 2016-05-31

### Website

<http://www.flir.com>

### Customer support

<http://support.flir.com>

### Disclaimer

Specifications subject to change without further notice. Camera models and accessories subject to regional market considerations. License procedures may apply. Products described herein may be subject to US Export Regulations. Please refer to [exportquestions@flir.com](mailto:exportquestions@flir.com) with any questions.



General description	
The 7° lens is a popular accessory and provides 3.6× magnification compared to the standard lens. Ideal for small or distant targets such as overhead power lines.	
Imaging and optical data	
Field of view (FOV)	7° × 5.3° (8.7° diagonally)
Minimum focus distance	2.0 m (6.6 ft.)
Focal length	88.9 mm (3.5 in.)
Spatial resolution (IFOV)	0.19 mrad
Lens identification	Automatic
F-number	1.3
Number of lenses	3 (3 asph)
MTF @ 70% of FOV	Normal requirements (52%)
Distortion	3%
Physical data	
Weight	0.77 kg (0.70 lb.)
Weight, lens	0.71 kg (1.57 lb.)
Size (L × D)	96 × 126 mm (3.78 × 4.96 in.), excluding support
Front lens diameter	96 mm (3.78 in.)
Shipping information	
Packaging, type	Cardboard box
List of contents	<ul style="list-style-type: none"> <li>• Lens</li> <li>• Lens case</li> <li>• Front lens cap</li> <li>• Rear lens cap</li> <li>• Mounting support</li> <li>• Lens mounting instructions</li> </ul>
Packaging, weight	1.63 kg (3.58 lb.)
Packaging, size	385 × 308 × 165 mm (15.2 × 12.1 × 6.5 in.)
EAN-13	7332558004425
UPC-12	845188004422
Country of origin	Sweden

### Compatible with the following products

- 55903-1015; FLIR T600 15° (incl. Wi-Fi and Ext. cal.)



## IR lens, f=88.9 mm (7°) with case and support for T6xx

P/N: T198166

© 2016, FLIR Systems, Inc.

#T198166; r./29700; en-US

- 55903-0922; FLIR T600 15° (incl. Wi-Fi)
- 55903-1016; FLIR T600 25° (incl. Wi-Fi and Ext. cal.)
- 55903-1022; FLIR T600 25° (incl. Wi-Fi)
- 55903-1007; FLIR T600 25° and 15° w/case
- 55903-1008; FLIR T600 25° and 45° w/case
- 55903-1017; FLIR T600 45° (incl. Wi-Fi and Ext. cal.)
- 55903-1522; FLIR T600 45° (incl. Wi-Fi)
- 55903-2823; FLIR T600bx 25° (incl. Wi-Fi and Ext. cal.)
- 55903-2822; FLIR T600bx 25° (incl. Wi-Fi)
- 55903-2923; FLIR T600bx 45° (incl. Wi-Fi and Ext. cal.)
- 55903-2922; FLIR T600bx 45° (incl. Wi-Fi)
- 55903-8022; FLIR T610 15° (incl. Wi-Fi)
- 55903-3922; FLIR T610 25° (incl. Wi-Fi)
- 55903-4022; FLIR T610 45° (incl. Wi-Fi)
- 55903-5023; FLIR T620 15° (incl. Wi-Fi and Ext. cal.)
- 55903-5022; FLIR T620 15° (incl. Wi-Fi)
- 55903-5125; FLIR T620 25° (incl. Wi-Fi and Ext. cal.)
- 55903-5122; FLIR T620 25° (incl. Wi-Fi)
- 55903-5123; FLIR T620 25° and 15° (incl. Wi-Fi)
- 55903-5124; FLIR T620 25° and 45° (incl. Wi-Fi)
- 55903-5223; FLIR T620 45° (incl. Wi-Fi and Ext. cal.)
- 55903-5222; FLIR T620 45° (incl. Wi-Fi)
- 55903-5623; FLIR T620bx 15° (incl. Wi-Fi and Ext. cal.)
- 55903-5622; FLIR T620bx 15° (incl. Wi-Fi)
- 55903-5723; FLIR T620bx 25° (incl. Wi-Fi and Ext. cal.)
- 55903-5722; FLIR T620bx 25° (incl. Wi-Fi)
- 55903-5823; FLIR T620bx 45° (incl. Wi-Fi and Ext. cal.)
- 55903-5822; FLIR T620bx 45° (incl. Wi-Fi)
- 55904-6222; FLIR T630 15° (incl. Wi-Fi)
- 55904-6322; FLIR T630 25° (incl. Wi-Fi)
- 55904-6422; FLIR T630 45° (incl. Wi-Fi)
- 55904-8023; FLIR T630sc 15° (incl. Wi-Fi)
- 55904-8123; FLIR T630sc 25° (incl. Wi-Fi)
- 55904-8124; FLIR T630sc 25° and 45° w/case
- 55904-8223; FLIR T630sc 45° (incl. Wi-Fi)
- 55904-6823; FLIR T640 15° (incl. Wi-Fi and Ext. cal.)
- 55904-6822; FLIR T640 15° (incl. Wi-Fi)
- 55904-6925; FLIR T640 25° (incl. Wi-Fi and Ext. cal.)
- 55904-6922; FLIR T640 25° (incl. Wi-Fi)
- 55904-6923; FLIR T640 25° and 15° (incl. Wi-Fi)
- 55904-6924; FLIR T640 25° and 45° (incl. Wi-Fi)
- 55904-7023; FLIR T640 45° (incl. Wi-Fi and Ext. cal.)
- 55904-7022; FLIR T640 45° (incl. Wi-Fi)
- 55904-7423; FLIR T640bx 15° (incl. Wi-Fi and Ext. cal.)
- 55904-7422; FLIR T640bx 15° (incl. Wi-Fi)
- 55904-7523; FLIR T640bx 25° (incl. Wi-Fi and Ext. cal.)
- 55904-7522; FLIR T640bx 25° (incl. Wi-Fi)
- 55904-7623; FLIR T640bx 45° (incl. Wi-Fi and Ext. cal.)
- 55904-7622; FLIR T640bx 45° (incl. Wi-Fi)
- 55904-7723; FLIR T650sc 15° (incl. Wi-Fi)
- 55904-7823; FLIR T650sc 25° (incl. Wi-Fi)
- 55904-7824; FLIR T650sc 25° and 15° w/case
- 55904-7825; FLIR T650sc 25° and 45° w/case
- 55904-7923; FLIR T650sc 45° (incl. Wi-Fi)
- 55904-8423; FLIR T660 15° (incl. Wi-Fi and Ext. cal.)
- 55904-8422; FLIR T660 15° (incl. Wi-Fi)
- 55904-8523; FLIR T660 25° (incl. Wi-Fi and Ext. cal.)
- 55904-8522; FLIR T660 25° (incl. Wi-Fi)
- 55904-8524; FLIR T660 25° and 15° w/case



## IR lens, f=88.9 mm (7°) with case and support for T6xx

---

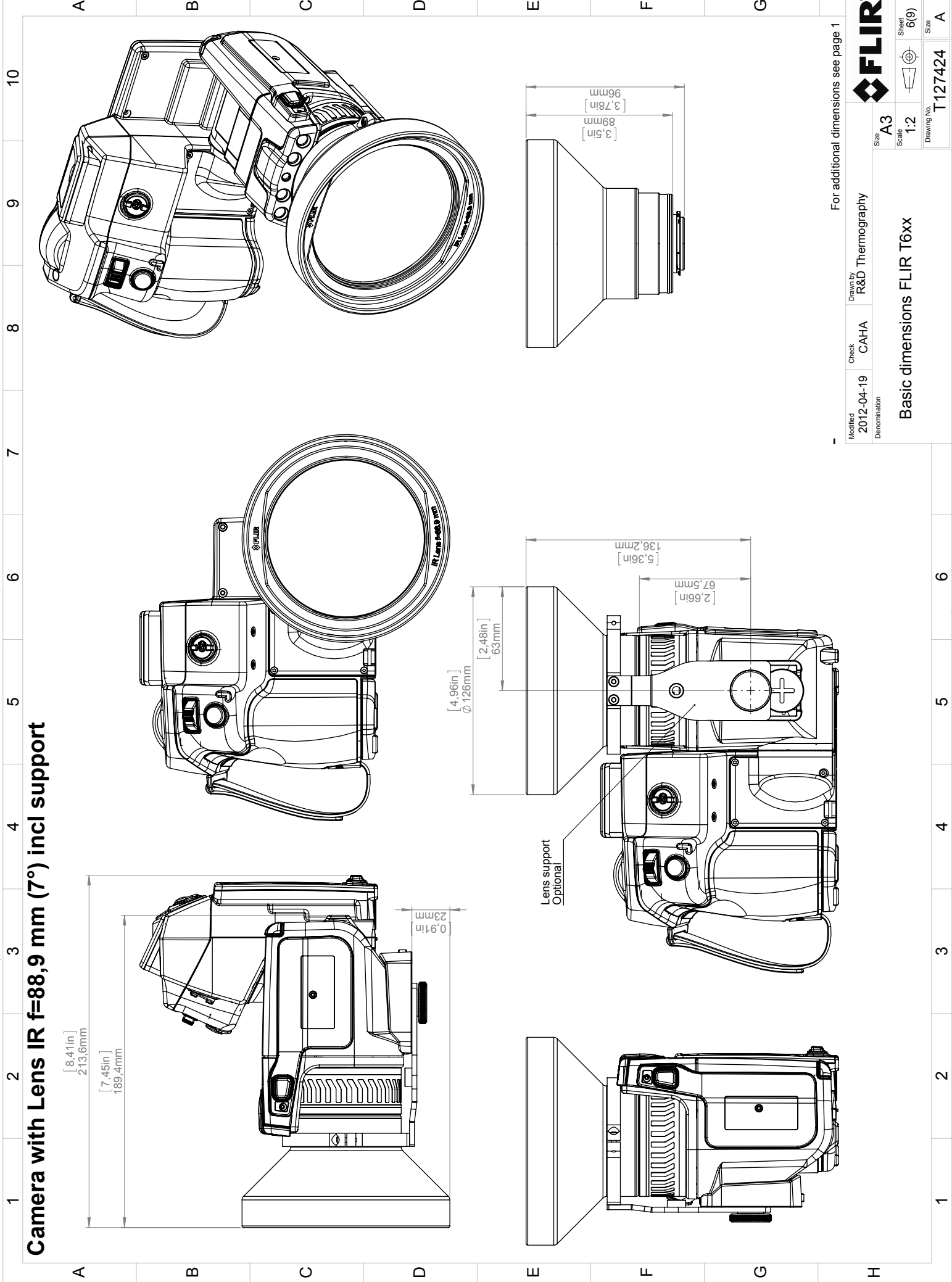
**P/N: T198166**

© 2016, FLIR Systems, Inc.

#T198166; r./29700; en-US

- 55904-8525; FLIR T660 25° and 45° w/case
- 55904-8623; FLIR T660 45° (incl. Wi-Fi and Ext. cal.)
- 55904-8622; FLIR T660 45° (incl. Wi-Fi)

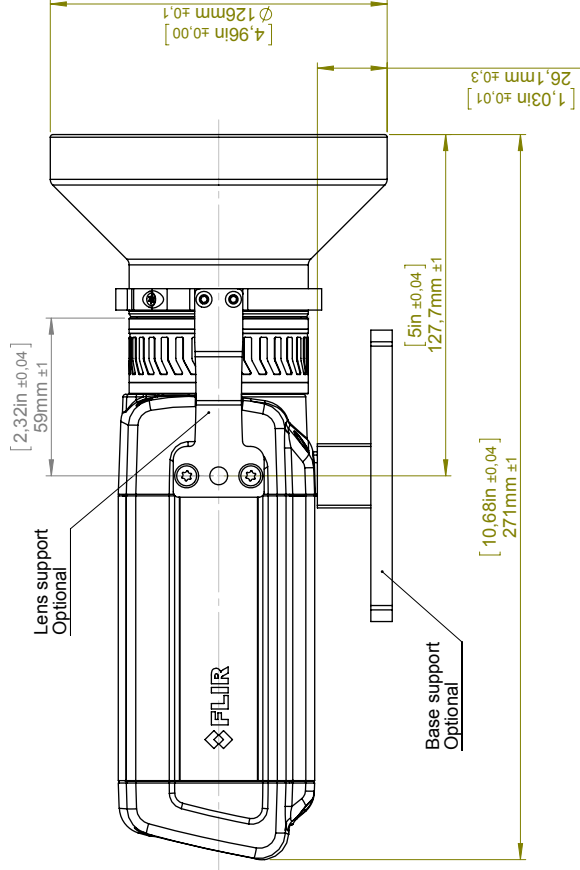
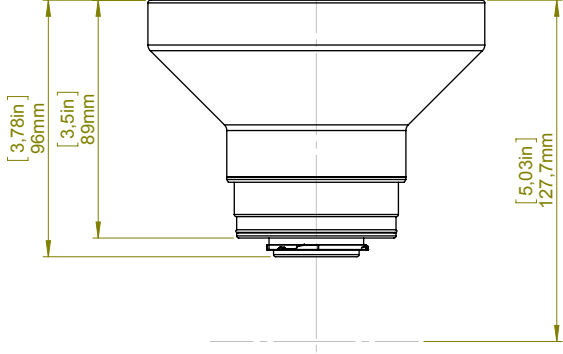
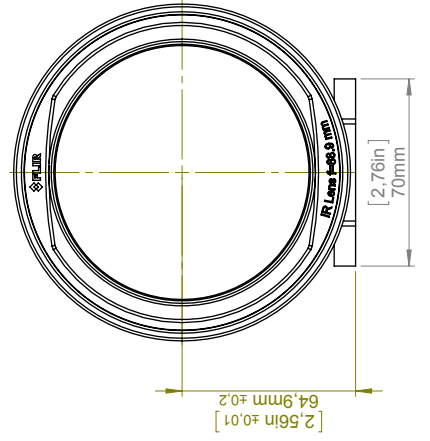
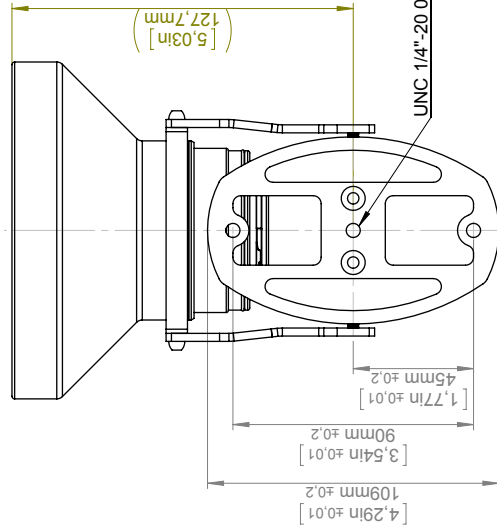
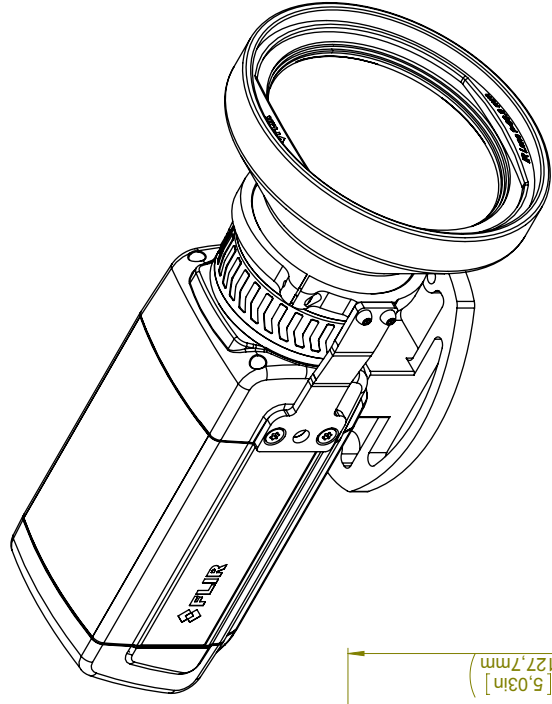
# Camera with Lens IR f=88,9 mm (7°) incl support



© 2012, FLIR Systems, Inc. All rights reserved worldwide. No part of this drawing may be reproduced, stored in a retrieval system, or transmitted in any form, or by any means, electronic, mechanical, photocopying, recording, or otherwise, without written permission from FLIR Systems, Inc. Specifications subject to change without further notice. Dimensional data is based on nominal values. Products may be subject to regional market considerations. License procedures may apply. Product may be subject to US Export Regulations. Please refer to exportquestions@flir.com with any questions. Diversion contrary to US law is prohibited.

Modified	2012-04-19	Check	CAHA	Drawn by	R&D Thermography	Size	A3	
Denomination	Basic dimensions FLIR T6xx			Scale	1:2	Sheet	6(9)	
For additional dimensions see page 1							Drawing No.	T127424
							Size	A

# Camera with Lens IR f=88,9 mm (7°) incl support



© 2012, FLIR Systems, Inc. All rights reserved worldwide. No part of this drawing may be reproduced, stored in a retrieval system, or transmitted in any form, or by any means, electronic, mechanical, photocopying, recording, or otherwise, without written permission from FLIR Systems, Inc. Specifications subject to change without further notice. Dimensional data is based on nominal values. Products may be subject to regional market considerations. License procedures may apply. Product may be subject to US Export Regulations. Please refer to exportquestions@flir.com with any questions. Diversion contrary to US law is prohibited.

For additional dimensions see page 1

Modified 2012-04-18 Denomination	Check CAHA	Drawn by R&D Thermography	Size A3	<b>FLIR</b>
Basic dimensions FLIR A/SC 6xx				Sheet 6(9)
				Scale 1:2
				Drawing No. T126925
				Size A