

Operation Manual

SPS Series

Programmable DC Power Supply

Revision F
Date: 01-12-05
P/N: 160026



Headquarter: 3445 Fletcher Ave, El Monte, CA 91731

PHONE: (626) 443-6818 FAX: (626) 443-8600

SAFETY NOTICE

Before applying power to the system, verify that the unit is configured properly for the user's particular application.

CE recognition of SPS Series power supplies is based on rack mounted applications only. Use of these power supplies outside of a rack mount equipment enclosure will expose the user to high voltage and/or high current sources. Extreme caution must be used under these circumstances.

Two or more SPS Series power supplies may be connected in series. Regardless of the number of units or the voltage ratings of the series connected power supplies, the voltage potential from any output terminal to chassis ground should not exceed 800V.

Installation and service must be performed only by properly trained and qualified personnel who are aware of dealing with electrical hazards. Ensure that the ac power line ground is properly connected to the power supply chassis. Furthermore, other power grounds, including those connected to application maintenance equipment, must be grounded for both personnel and equipment safety.

Always ensure that facility ac input power is de-energized prior to connecting or disconnecting the input and output power cables.



Caution: Lethal voltages may be present inside the power supply even when the ac input voltage is disconnected. Only properly trained and qualified personnel should remove covers and access the inside of the power supply.

During normal operation, the operator does not have access to hazardous voltages within the cabinet. Depending on the user's application, high voltages hazardous to human safety may be generated normally on the output terminals. Ensure that the output power cables are properly labeled as to the safety hazards and that any inadvertent contact with hazardous voltages is eliminated.

This power supply is designed to be permanently connected to the power source requiring a readily accessible disconnect device incorporated in the fixed wiring.

These operating instructions form an integral part of the equipment and must be available to the operating personnel at all times. All the safety instructions and advice notes are to be followed.

Neither American Reliance, Inc. nor any of the associated sales organizations can accept responsibility for personal injury, consequential injury, loss, or damage that results from improper use of the equipment and accessories.

LIMITED WARRANTY

The following is made in lieu of all warranties expressed or implied.

American Reliance, Inc. warrants its products to be free of manufacturing defects for a period of one (1) year from date of original shipment from its factory. American Reliance, Inc. will repair or replace at its discretion, any part exclusive of labor to diagnose, remove and install, which upon examination by American Reliance, Inc., is determined to be defective in material or workmanship, providing such claimed defective material is returned upon written authorization of American Reliance, Inc., freight prepaid. All warranty items are F.O.B. factory.

All electrical, commercial supply parts and items not manufactured by American Reliance, Inc. shall carry the warranty of the original manufacturer and no more, but under no circumstances to exceed the "limited warranty."

Replacement parts shall be warranted for a period of 90 days.

Warranty labor shall only apply if the machine, assembly, or part is returned to the factory freight prepaid and insured.

American Reliance, Inc. assumes no responsibility for losses of material, labor, production time, any injury, loss or damage, direct or consequential resulting from the operation of, or use, or the inability to use the product other than specifically covered in this warranty.

Damage or breakage through misuse or while in transit is not covered by this warranty.

All claims against the warranty shall be the final determination of American Reliance, Inc.

CLAIM FOR DAMAGE IN SHIPMENT

This instrument received comprehensive mechanical and electrical inspections before shipment. Immediately upon receipt from the carrier, and before operation, this instrument should be inspected visually for damage caused in shipment. If such inspection reveals internal or external damage in any way, a claim should be filed with the carrier. A full report of the damage should be obtained by the claim agent and this report should be forwarded to us. We will then advise you of the disposition to be made of the equipment and arrange for repair or replacement. When referring to this equipment, always include the model and serial numbers.

RETURNING EQUIPMENT

Before returning any equipment to the factory, the following steps should be taken:

1. Contact our technical service department. Give a full description of the difficulty and include the model and serial number of the unit. On receipt of this information, we will give you service information or shipping instructions.
2. Equipment returned to us must be properly packed and insured if the unit is to be returned for service. You must request a "Return Authorization Number." No returns will be accepted without a preauthorized RA.
3. For non-warranty repairs, we will submit a cost estimate for your approval before proceeding.

TABLE OF CONTENTS

Section	Title	Page
1.0	GENERAL INFORMATION	1
1.1	Description	1
1.2	Features	1
1.3	IEC Symbols Used in Manual	2
1.4	Power Requirements	3
1.5	Specifications	3
2.0	INSTALLATION AND POWER ON CHECK	9
2.1	Cooling	9
2.2	AC Input Connections	9
2.3	DC Output Connections	11
2.4	General Operation	11
2.5	Controls and Indicators	12
2.6	Preparation for Use	12
	2.6.1 Unpacking	12
	2.6.2 Electrical Check	12
3.0	OPERATION	15
3.1	Front Panel Commands	15
	3.1.1 Run Mode Commands	15
	3.1.2 Set Point Commands	17
	3.1.3 Configuration Commands	18
	3.1.4 Calibration Commands	21
	3.1.5 Programming Sequential Step Applications	28
3.2	Modes of Operation	29
	3.2.1 Normal Mode	29
	3.2.2 Constant Voltage	29
	3.2.3 Constant Current	29
3.3	Remote Sensing	29
3.4	External Programming	30
	3.4.1 Resistive Programming	31
	3.4.2 Voltage Programming	31
	3.4.3 Current Programming	31
3.5	Voltage and Current Monitoring	33
3.6	Digital Control Lines	33
3.7	Diagnostic Functions	34
3.8	Parallel Operation	36
	3.8.1 Parallel Operation - Direct	36
	3.8.2 Parallel Operation - Master/Slave	37
3.9	Series Operation	37
	3.9.1 Series Operation - Direct	38
	3.9.2 Series Operation - Master/Slave	38

3.10	Pulse Loading	39
3.11	Conversion to 240/440 V Operation	40
3.12	Nomenclature	40
4.0	PROGRAMMING WITH SCPI COMMANDS	44
4.1	RS-232 Interface	44
4.2	Electrical Testing Using RS-232 Communications	44
4.3	SCPI Subsystem Commands	45
4.3.1	Source Subsystem	46
4.3.1.1	VOLT and VOLT:TRIG	46
4.3.1.2	VOLT:PROT	47
4.3.1.3	CURR and CURR:TRIG	47
4.3.1.4	CURR:PROT	48
4.3.1.5	PER	48
4.3.2	Measure Subsystem	49
4.3.2.1	MEAS:VOLT?	49
4.3.2.2	MEAS:CURR?	49
4.3.3	System Subsystem	50
4.3.3.1	SYST:VERS?	50
4.3.3.2	SYST:ERR?	50
4.3.4	Status Subsystem	50
4.3.4.1	Operation Register	51
4.3.4.2	Questionable Register	51
4.3.5	Output Subsystem	52
4.3.5.1	OUTP?	52
4.3.5.2	OUTP:ARM	52
4.3.5.3	OUTP:START	53
4.3.5.4	OUTP:STOP	53
4.3.5.5	OUTPut:PROTection:CLear	54
4.3.6	Abort Subsystem	54
4.3.7	Trigger Subsystem	55
4.3.8	Initiate Subsystem	55
4.3.9	Calibrate Subsystem	56
4.3.9.1	CAL:IDN	56
4.3.9.2	CAL:PASS	56
4.3.9.3	CAL:POT	56
4.3.9.4	CAL:SCAL:VOLT	57
4.3.9.5	CAL:SCAL:CURR	57
4.3.9.6	CAL:DEF	57
4.3.9.7	CAL:STOP	58
4.3.10	Configure Subsystem	58
4.3.10.1	REM:SENS	58
4.3.10.2	CONT:INT	59
4.3.10.3	CONT:EXT	59

4.3.10.4	INTE	59
4.3.11	Recall Subsystem	60
4.3.12	Modulation Subsystem	60
4.3.12.1	MODulation:TYPE:SElect	60
4.3.12.2	MODulation:TABLE	61
4.3.13	SCPI Data Formats	62
4.4	IEEE-488 Event Processing	63
4.5	IEEE-488 Standard Commands	63
4.5.1	Clear	63
4.5.2	Read Event Status Register	65
4.5.3	Read and Set Event Status Enable Register	65
4.5.4	Read Status Byte Register	66
4.5.5	Read and Set Service Request Enable Register	66
4.5.6	Read Model Number, Part Number, and Serial Number	67
4.5.7	Save	67
4.5.8	Recall	68
4.5.9	Reset	68
4.6	Error Messages	69
5.0	INTERFACING USING THE REMOTE INTERFACE SOFTWARE	70
5.1	Application Setup	70
5.2	Virtual Control Panel	71
5.3	Command Panel	71
5.4	Register Panel	72
5.5	Calibration Panel	73
5.6	Firmware Panel	73
5.7	Modulation Panel	76
6.0	PRINCIPLE OF OPERATION	77
7.0	MAINTENANCE AND TROUBLE SHOOTING	80
7.1	General	80
7.2	Trouble Shooting Guide	80
7.3	Calibration	81
7.3.1	Control Board	81
7.3.1.1	Reference Amplifier Calibration	81
7.3.1.2	Voltage Feedback Amplifier Calibration	81
7.3.1.3	Current Feedback Amplifier Calibration	81
7.3.2	Driver Board	81
7.3.2.1	Over Current Protection	82
7.3.2.2	Under Voltage Protection	82
8.0	APPLICATIONS	83
8.1	General	83

8.2	Power Waveform Generator	83
8.3	Leadless Remote Sensing	84
8.4	Photovoltaic Cell Simulator	84
8.5	Battery Charger	86
APPENDIX A IEEE-488 COMMUNICATIONS		90
A.1	GPIB-232CV-A Setup	90
A.2	GPIB-232CV-A Communications using the Remote Interface Software	91
A.3	GPIB-232CV-A Communications with MAX	91
APPENDIX B ETHERNET COMMUNICATIONS		93
B.1	ESP901 Setup	93
B.2	Creating a Static IP Address	94
B.3	Creating a DHCP Address	94
B.4	ESP901 Communications using HyperTerminal	95
APPENDIX C USB COMMUNICATIONS		96
C.1	Edgeport/1 Setup	96
C.2	Edgeport/1 Communications using the Remote Interface Software	96
APPENDIX D RS485 COMMUNICATIONS		97
D.1	485DSS Initial Setup	97
D.2	HyperTerminal Setup	97
D.3	485DSS Address Command	98
D.4	485DSS Communications using HyperTerminal	98

1.0 GENERAL INFORMATION

1.1 Description

This manual contains operation and maintenance instructions for American Reliance' SPS Series, medium frequency link power supplies. These power supplies are constant voltage/constant current sources suitable for a wide range of applications.

1.2 Features

American Reliance' SPS Series combines the best of dc power processing with multiprocessor embedded control. A combination of high and medium frequency power processing technologies improves response, shrinks package size, and reduces cost. SPS Series power supplies are current fed and are more tolerant to abusive loads than conventional switching power supplies.

SPS Series power supplies offer an unusual blend of both analog and digital control. Two front panel potentiometers are available to set voltage and current for stepless analog control. Alternatively, voltage, current, over voltage trip, and over current trip may be programmed through a rear connector via resistance, voltage, or current. With simple configuration changes, the SPS Series power supplies will accept keypad entries and up/down key presses for programming voltage, current, over voltage trip, and over current trip. Key strokes are kept to a minimum by a repeat last command feature. RS232 communications is embedded in the control circuitry allowing full computer control with SCPI commands. An optional IEEE-488 to RS232 converter, Ethernet to RS232 converter, and other communications converters are available to echo commands over the communications bus.

SPS Series power supplies can be configured through the front panel for different applications. The power supply can be programmed to have its control functions accessible from the front panel, rear connector, or through RS232 communications. Sensing can be established at the output terminal of the power supply or through a rear terminal block for sensing at the load. An external interlock can be set to enable operation only when an external connection is made. Even calibration has been simplified with front panel access to calibration digital potentiometers.

SPS Series power supplies incorporate an optically isolated feedback system. The result is that all user interface circuitry is reference to earth ground -- not the negative terminal of the power supply. This enables users to connect external circuitry without concern of ground loops or voltage breakdown.

SPS Series power supplies offer both master/slave parallel and series operation. This enables two or more power supplies to be placed in parallel for increased output current or in series for increased output voltage. With master/slave operation, power supplies operate at near equal voltage and current.

SPS Series power supplies can operate as a voltage source or current source depending on the

control settings and load conditions. If the power supply is operating as a voltage source and the load increases to a point beyond the current command setting, the power supply automatically crosses over to current mode control and operates as a current source at that setting.

One-hundred memory states are available to program voltage, current, over voltage trip, over current trip, and time period. Set points can be auto sequenced with time or external triggering. Special programming codes allow repeating to create a power function generator. The first 10 memory states are displayed on the front panel to simplify programming tasks.

SPS Series power supplies offer an analog input to modulate the voltage or current setting. This feature enables the voltage or current setting to be adjusted by a sensor input, such as a thermistor, or by monitoring its own voltage or current. Modulation allows the output to be tailored for advanced process control applications, battery charging, and source emulation.

Remote Interface Software is included to provide sophisticated computer control. This software provides a virtual control panel to emulate the power supply's front panel, a command panel to send and monitor SCPI commands, a register panel to monitor registers, and a calibration panel to provide easy access to calibrate digital potentiometers.

SPS Series power supplies have extensive diagnostic functions -- all of which when activated take command to shut down the system. Diagnostic functions include phase loss, excessive thermal conditions, over voltage trip, over current trip, fuse clearing, and program line. Program line monitors externally applied analog set point signals to insure they are within the specified range. Upon a diagnostic fault condition, main power is disconnected and the diagnostic condition is latched into memory. Pressing the clear key clears the memory. All diagnostic functions can be monitored through a rear connector. Furthermore, control functions can also be set through the rear connector to allow simultaneous control of one or more SPS Series units.

SPS Series supplies have three levels of over voltage/current protection: shutdown of controlling insulated gate bipolar transistors (IGBT's), disconnect of main power, and input fuses. After an over voltage/current trip condition, the supply must be reset.

SPS Series have push button start/stop controls. These controls are tied to a mechanical contactor which operates with the electronic switches to break the ac mains when stop is commanded. Unlike competing products, an off means both an electrical and mechanical break in the power circuit — not a break in an electronic switch. Safety comes first at American Reliance.

1.3 IEC Symbols Used in Manual

The following IEC symbols are used in this manual.




Caution, risk of electric shock



Caution, risk of danger



Protective conductor terminal

3  Three-phase alternating current

1.4 Power Requirements

A suitable source of ac power is required for this supply. The unit is wired for 208 V, 3 ϕ , 50 to 60 Hz mains. For 240 V operation, three internal wiring changes must be made to the unit. Information concerning conversion is covered in Section 3.11.

SPS Series power supplies are optionally available for operation on 440/480 V, 3 ϕ , 50 to 60 Hz mains. Units are normally wired for 480 V operation and information concerning conversion is covered in Section 3.11.

1.5 Specifications

The following specifications describe the published operational characteristics of the SPS series power supplies.

Input voltage: 208/240 Vac, 50-60 Hz, 3 ϕ ; 440/480 Vac, 50-60 Hz, 3 ϕ ; 380/415 Vac, 50-60 Hz, 3 ϕ ; 240 Vac, 50-60 Hz, 1 ϕ , 3.3 kW only.

Regulation line and load combined: 0.10 %.

Stability: 0.10 % for 8 hours after 30 minute warm up.

Transient response: 10.0 ms to recover within 2 % of regulated output with a 30 % step load change.

External programming potentiometers: 1 K Ω scale for output voltage, output current, over voltage shutdown, and over current shutdown.

Ambient Temperature: 0 to 50°C.

Storage Temperature: -25 to +85°C.

Temperature coefficient: 0.04 %/°C of maximum output current.

User interface connectors, see figure 1.1 for details:

JS1: 37 pin D-Subminiature, female
JS3: 9 pin D-Subminiature, female

RS-232 interface:

Baud Rate: 19200 Baud.

Data Size: 8-bit.

Parity: None.

Stop bits: 1.

Size: 5¼"H x 19"W x 24"D, see figure 1.2 for details.

Weight: 125 lbs for 10 kW models, 97 lbs for 6.6 kW models, and 74 lbs for 3.3 kW models.

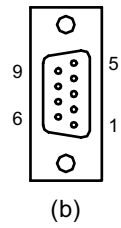
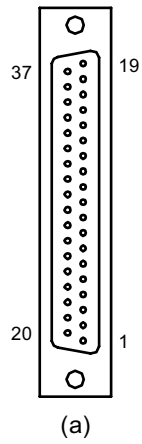
Agency Approvals: CE-marked units meet the following standards (note: optional EMI filter must be installed to meet EMC requirements)

EN61010-1:2001-02 Safety Requirements for Electrical Equipment for Measurement, Control, and Laboratory Use

EN61326-1:1997 Electrical Equipment for Measurement, Control, and Laboratory Use EMC Requirements

- EN55022:1998 Radiated, Class A, Group 1
- EN55022:1998 Conducted, Class A, Group 1
- EN61000-4-2:1999 Electrostatic Discharge
- EN61000-4-3:1999 Radiated Susceptibility
- EN61000-4-6:1999 Conducted Susceptibility

Figure 1.1 User interface from female end)



connectors (a) JS1 and (b) JS3 (viewed

Table 1.1 10 KW MODELS AND RATINGS

MODEL	VOLTS Vdc	AMPS Adc	RIPPLE mVrms	EFF. %	INPUT CURRENT (Aac)	
					208/240 V MODELS	440/480 V MODELS
SPS10-900	10	900	40	86	36	18
SPS16-600	16	600	35	86	36	18
SPS20-500	20	500	40	86	36	18
SPS32-300	32	300	40	86	36	18
SPS40-250	40	250	40	87	36	18
SPS50-200	50	200	50	87	36	18
SPS80-125	80	125	60	87	36	18
SPS100-100	100	100	60	87	35	17
SPS125-80	125	80	100	87	35	17
SPS160-62	160	62	120	87	35	17
SPS200-50	200	50	125	87	35	17
SPS250-40	250	40	130	88	35	17
SPS375-27	375	27	170	88	35	17
SPS500-20	500	20	220	88	35	17
SPS600-16	600	16	250	88	35	17
SPS800-12	800	12	270	88	35	17

Notes:

- 1) Rating specified at 208 and 440 V input.
- 2) Specifications subject to change without notice.

Table 1.2 6.6 KW MODELS AND RATINGS

MODEL	VOLTS Vdc	AMPS Adc	RIPPLE mVrms	EFF. %	INPUT CURRENT (Aac)	
					208/240 V MODELS	440/480 V MODELS
SPS8-800	8	800	40	86	24	12
SPS10-600	10	600	40	86	24	12
SPS16-400	16	400	35	86	24	12
SPS20-330	20	330	40	86	24	12
SPS32-200	32	200	40	86	24	12
SPS40-165	40	165	40	87	24	12
SPS50-130	50	130	50	87	24	12
SPS80-82	80	82	60	87	24	12
SPS100-66	100	66	60	87	23	12
SPS125-53	125	53	100	87	23	12
SPS160-41	160	41	120	87	23	12
SPS200-33	200	33	125	87	23	12
SPS250-26	250	26	130	88	23	12
SPS375-17	375	17	170	88	23	12
SPS500-13	500	13	220	88	23	12
SPS600-10	600	10	250	88	23	12
SPS800-8	800	8	270	88	23	12

Notes:

- 1) Rating specified at 208 and 440 V input.
- 2) Specifications subject to change without notice.

Table 1.3 3.3 KW MODELS AND RATINGS

MODEL	VOLTS Vdc	AMPS Adc	RIPPLE mVrms	EFF. %	INPUT CURRENT (Aac)	
					208/240 V MODELS	440/480 V MODELS
SPS5-600	5	600	50	86	12	6
SPS8-400	8	400	40	86	12	6
SPS10-300	10	300	40	86	12	6
SPS16-200	16	200	35	86	12	6
SPS20-165	20	165	40	86	12	6
SPS32-100	32	100	40	86	12	6
SPS40-82	40	82	40	87	12	6
SPS50-65	50	65	50	87	12	6
SPS80-41	80	41	60	87	12	6
SPS100-33	100	33	60	87	12	6
SPS125-26	125	26	100	87	12	6
SPS160-20	160	20	120	87	12	6
SPS200-16	200	16	125	87	12	6
SPS250-13	250	13	130	88	12	6
SPS375-8	375	8	170	88	12	6
SPS500-6	500	6	220	88	12	6
SPS600-5	600	5	250	88	12	6
SPS800-4	800	4	270	88	12	6

Notes:

- 1) Rating specified at 208 and 440 V input.
- 2) Specifications subject to change without notice.

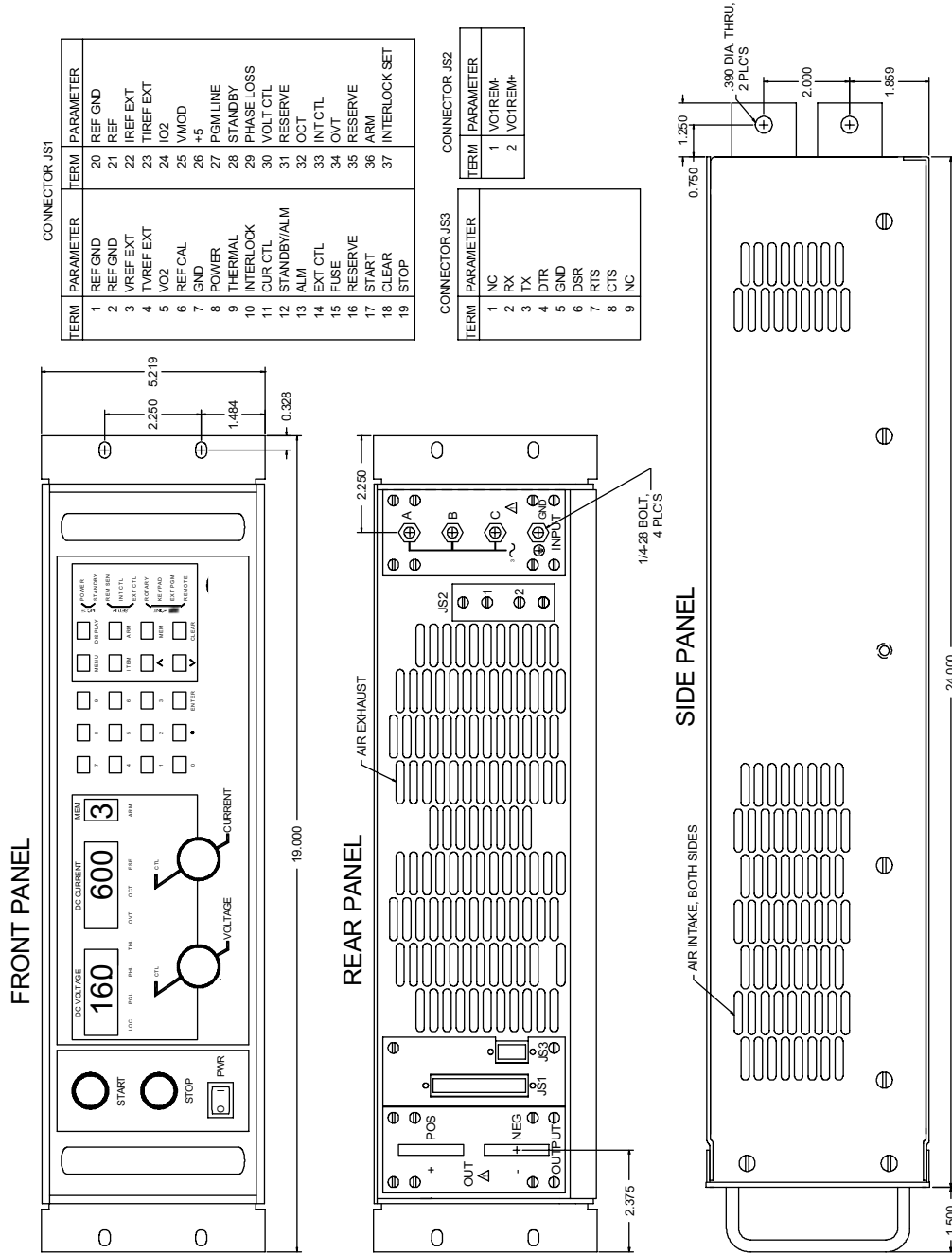


Figure 1.2 SPS Series package drawing

2.0 INSTALLATION AND POWER ON CHECK

The power supply is intended for rack mount installations only and is designed to fit in a standard 19" equipment rack. Additional support, other than that provided by the front panel, is required. Angle slides or cross beam supports securely fastened to the rack are recommended for supporting the weight of the power supply. The unit should be horizontally mounted.



Caution: The power supply is too heavy for one person to safely lift and mount. To avoid injury, ask a co-worker for assistance.

2.1 Cooling

Each power supply enclosure is cooled by suitable blowers exhausting warm air to the rear of the cabinet. Fresh air intake is from the sides of the cabinet allowing two or more SPS Series supplies to be stacked.



Caution: blocking ventilation will cause the power supply to overheat.

2.2 AC Input Connections



Caution: disconnect AC power from the mains before attempting any installation procedure.



Caution: a safety ground wire must be connected to the unit as indicated by the protective ground symbol at the rear of the power supply.

AC power is wired to the power supply by attaching three cables plus ground. (Do not connect a cable to phase C for single phase models.) The manufacture recommends cables, as specified in Tables 2.1 or 2.2, be crimped to ring terminals and securely fastened to the four studs at the rear of the power supply. After connections are made, screw the four standoffs into the back panel and place the protective shield over the connections.

Table 2.1 SUGGESTED AMPACITIES OF 4-CONDUCTOR TYPE S OR SO CABLE

Wire Size (AWG)	Maximum Current (A)	Wire Size (AWG)	Maximum Current (A)
18	7	8	35
16	10	6	45
14	15	4	60
12	20	2	80
10	25		

Table 2.2 SUGGESTED AMPACITIES OF CONDUCTORS AS RECOMMENDED BY THE NATIONAL ELECTRICAL CODE

Size	Temperature Rating of Copper Conductor			
	60 °C	75 °C	85 °C	90 °C
	Types	Types	Types	Types
Wire Size (AWG)	RUW, T, TW	FEPW, RH, RHW, RUH, THW, THWN, XHHW, ZW	V, MI	TA, TBS, SA, AVB, SIS, FEP, FEPB, RHH, THHN, XHHW
14	25	30	30	35
12	30	35	40	40
10	40	50	55	55
8	60	70	75	80
6	80	95	100	105
4	105	125	135	140
3	120	145	160	165
2	140	170	185	190
1	165	195	215	220
1/0	195	230	250	260
2/0	225	265	290	300
3/0	260	310	335	350
4/0	300	360	390	405
250 MCM	340	405	440	455
300 MCM	375	445	485	505
350 MCM	420	505	550	570

Single conductors in free air, based on ambient temperature of 30°C

This power supply is designed to be permanently connected to the power source requiring a readily accessible disconnect device incorporated into the fixed wiring.

2.3 DC Output Connections



Caution: disconnect AC power from the mains before attempting any installation procedure.

DC power is wired to the power supply by attaching two cables to the output bus bars. The manufacture recommends cables, as specified in Tables 2.2 or 2.3, be crimped to ring terminals and securely fastened to bus bars using 3/8" bolts, lock washers, and mating nuts. After connections are made, screw the four standoffs into the back panel and place the protective shield over the connections.



Caution: Make sure connections are tight to avoid overheating of the bus bars.

Table 2.3 SUGGESTED AMPACITIES OF WELDING CABLE

Wire Size (AWG)	Maximum Current (A)	Wire Size (AWG)	Maximum Current (A)
6	85	1/0	200
4	110	2/0	235
3	130	3/0	275
2	150	4/0	315
1	170	*	315+

* Contact factory for assistance

2.4 General Operation

As shipped, the power supply is configured for local sensing, rotary control, internal programming, and voltage input as specified on the rear label. The front panel voltage and current controls set the boundary limits for output voltage and current, respectively. The impedance of the load determines whether the unit is voltage or current controlled and the illumination of the respective mode indicator light indicates the state. If either control is set to maximum counter clockwise rotation, the other control will have little or no effect. Each control must be set to the appropriate position for proper operation.

2.5 Controls and Indicators

The controls and indicators are illustrated in figure 2.1.

2.6 Preparation for Use

2.6.1 Unpacking

Carefully unpack the power supply saving all packing materials and included enclosures. Inspect power supply for possible shipping damage. Check that there are no broken knobs or connectors, the external surface is not scratched or dented, the meter faces are not damaged, and all controls move freely. Any external damage may be an indication of internal damage.

2.6.2 Electrical Check

With the power supply off, disconnect the load and set voltage and current potentiometer controls full counterclockwise. Connect the power supply to a suitable source of ac voltage. (For this test, only 50% of rated ac current is required.) Turn the power switch on and observe the indicator lights going through the startup routine. After initialization, the following indicator lights should be on: standby, int ctl, ext ctl, and rotary. This is the default configuration from the factory. It is recommended that the following brief electrical check be made shortly after unpacking the supply.

Press the start switch and advance the current control one turn clockwise. The power and voltage control indicators should light. Increase the voltage set point to maximum and then to minimum. Dc voltage should increase smoothly from minimum to maximum to minimum as indicated on the meter. Return the voltage control full counterclockwise. Press the stop switch.

To check over voltage trip, press the menu key and the item key two times. This places the power supply in data entry mode to set over voltage trip. Using the keypad, enter an over voltage trip set point at half the rating of the power supply. Once the over voltage trip set point has been entered, press the enter key to save the information.

Press the start switch and slowly increase the voltage set point. Over voltage trip should operate at the over voltage trip set point. The over voltage trip (OVT) indicator should turn on, the power and voltage control indicators should turn off, and the supply should shut down. Press the clear key. Now set the over voltage trip set point to maximum which is 110% the full scale rating of the power supply. Because the over voltage trip set point was the last keypad command, data can simply be entered, eliminating the key presses of menu and item. With the maximum over voltage trip set point entered, again start the supply and observe that the power supply operates normally.

With the main power disconnected, connect a short to the power output studs on the rear panel. Reconnect the main power, set voltage and current controls full counterclockwise and turn the power switch on.

Press the start switch and advance the voltage control one turn clockwise. Increase the current set point to maximum and then to minimum. The power and current control indicators should light. Dc current should increase smoothly from minimum to maximum to minimum as indicated on the meter. Return the current control full counterclockwise. Press the stop switch.

To check over current trip, press the menu key and the item key three times. This places the power supply in data entry mode to set over current trip. Using the keypad, enter an over current trip set point at half the rating of the power supply. Once the over current trip setting has been entered, press the enter key to save the information.

Press the start switch and slowly increase the current set point. Over current trip should operate at the over current trip set point. The over current trip (OCT) indicator should turn on, the power and current control indicators should turn off, and the supply should shut down. Press the clear key. Now set the over current trip set point to maximum which is 110% the full scale rating of the power supply. Because the over current trip set point was the last keypad command, data can simply be entered, eliminating the key presses of menu and item. With the maximum over current trip set point entered, again start the supply and observe that the power supply operates normally.

If any of these events do not occur, the supply is defective and should not be operated. Depending on the circumstances, either warranty service or trouble shooting, as described in Section 7.2, is required.

DIAGNOSTICS

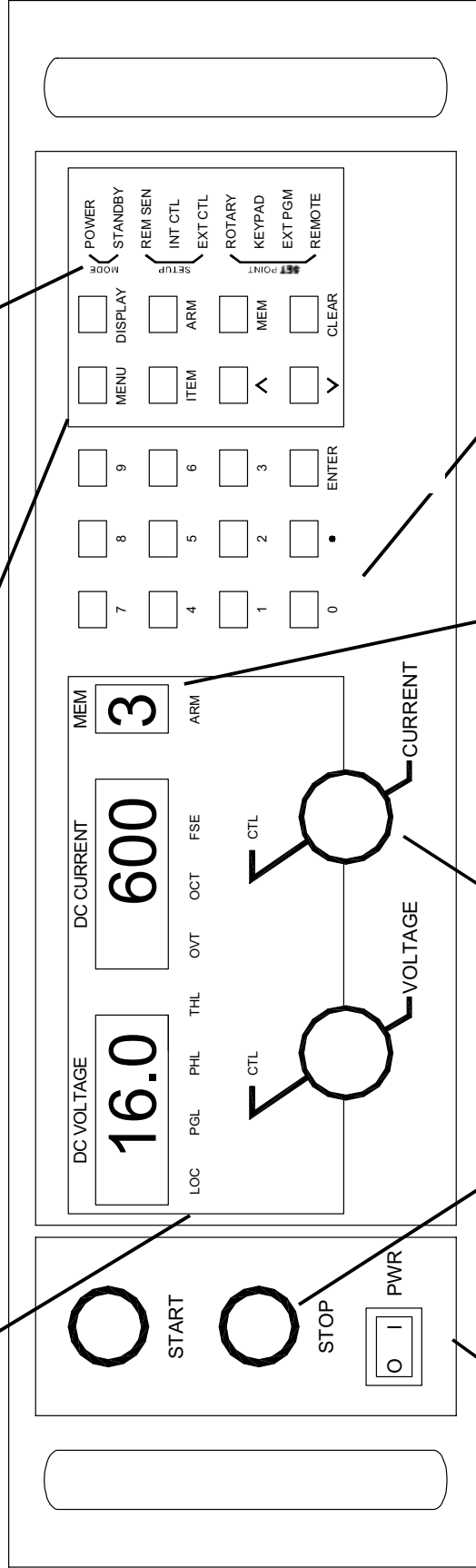
- LOC: interlock
- PGL: warns that a program line has opened
- PHL: indicates a problem with input voltage
- THL: indicates over-temperature
- OVT: shows over voltage protection has tripped
- OCT: shows over current protection has tripped
- FSE: warns that a fuse has cleared
- ARM: indicates power supply is ready for or operating in auto sequencing

FUNCTION KEYS

- MENU: selects function
- ITEM: selects item within function
- DISPLAY: displays voltage and current setting
- ARM: arms power supply for auto sequencing through states stored in memory
- MEM: sets memory
- CLEAR: clears setting or reset fault condition
- ▲: up
- ▼: down

MODE, SETUP, DISPLAY

- POWER: indicates power output
- STANDBY: indicates control power only
- REM SEN: indicates remote sense
- INT CTL: front panel controls enabled
- EXT CTL: external controls enabled
- ROTARY: potentiometer voltage/current control
- KEYPAD: keypad voltage/current control
- EXT PGM: external voltage/current control
- REMOTE: RS232 control enabled



Enter data through keyboard

Meters display voltage, current, over voltage protection, over current protection, and memory step

Sets voltage and current output in rotary mode

Switches main power on and off

Energizes control circuits without turning on main power

Figure 2.1 Controls and indicators

3.0 OPERATION

3.1 Front Panel Commands

As shipped, the power supply is configured for local sensing, rotary control, internal programming, and voltage input as specified on the rear label. The front panel voltage and current controls set the boundary limits for output voltage and current, respectively. Section 2.6.2 describes how to start and operate the SPS Series power supply using the default settings. The following sections describe how to use the all of the front panel features. Front panel commands are broken into four groups: run mode commands, set point commands, configuration commands, and calibration commands.

Run mode commands are used when the power supply has been configured for the desired application and the desired set points have been programmed into memory.

Set point commands include voltage set, current set, over voltage trip set, over current trip set, and period set. All of these commands can be made when the power supply is in either the standby, alarm, or power mode state.

Configuration commands include local or remote sense, internal and/or external control, remote interlock, and mode of set point input. There are four choices for set point inputs: rotary (front panel potentiometers), front panel keypad, external analog through connector JS1, and RS232 through connector JS3. Changes in configuration commands are only allowed when the power supply is in the standby or alarm state.

Calibration commands enable programming of internal digital potentiometers. The digital potentiometers are used for calibrating the voltage reference and feedback amplifiers. Calibration commands can be made when the power supply is in either the standby, alarm, or power mode state.

Front panel programming commands are illustrated with programming charts. This method of presentation maps the path to key commands, describes front panel indicators as a result of key presses, and illustrates anticipated results.

3.1.1 Run Mode Commands

Figure 3.1 illustrates run mode commands. Run mode commands are used when the power supply has been configured for the desired application and the desired set points have been programmed into memory.

Pressing the start switch places the power supply in a power state. The starting sequence consists of energizing the step start and main contactors followed by enabling of the power processing stages. Once enabled, output voltage and current increase to the set points established by the rotary, front panel keypad, external analog control, or RS232 communications.

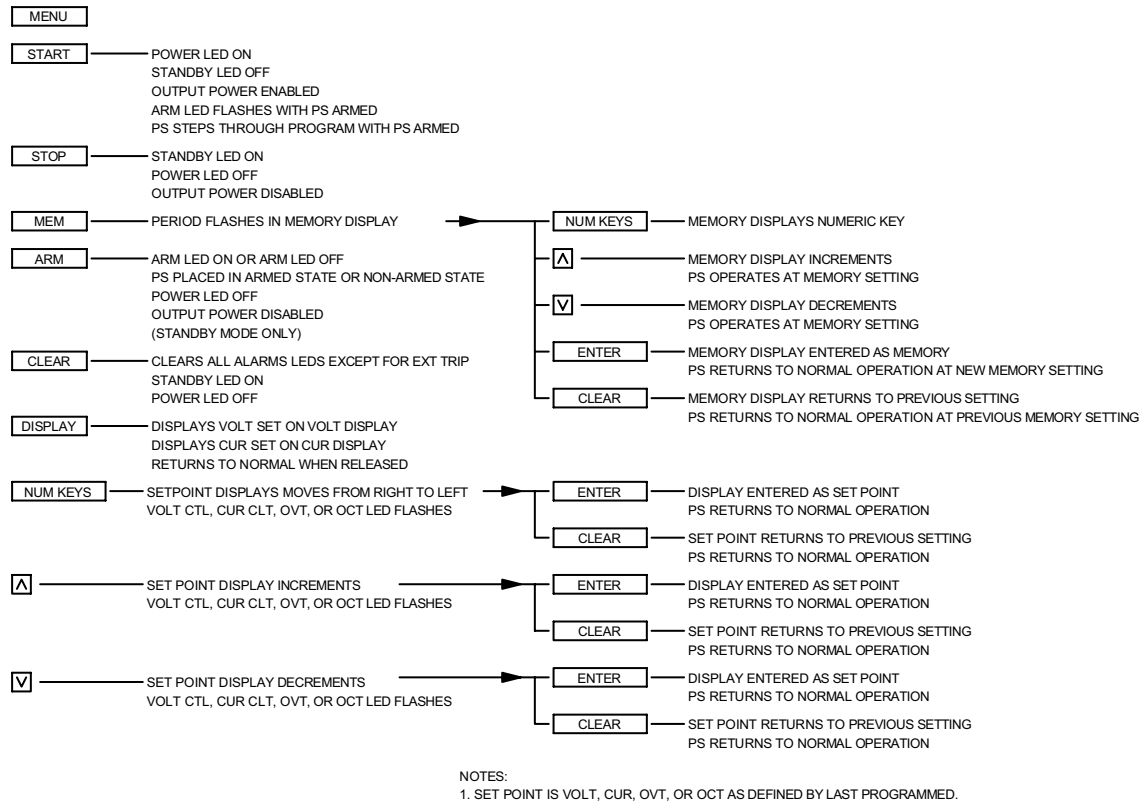


Figure 3.1 Run mode commands

If the power supply has been programmed for auto sequencing and the arm LED is on, then pressing the start key initiates the program at the current memory location. In this mode of operation, additional presses of the start switch causes the memory to step regardless of the period setting.

Pressing the stop switch places the power supply in a standby state. The power processing stages are disabled and the step start and main contactors are denergized.

Pressing the mem (memory) key allows the memory to be changed. There are 100 memory steps, 10 that can be programmed from the front panel and all that can be programmed from RS232 communications. At each memory location, five variables can be programmed: output voltage set point, output current set point, over voltage trip, over current trip, and period. Output voltage and output current set points set the desired output voltage and current of the power supply. Over voltage trip and over current trip set the levels at which the power supply will alarm if the levels are exceeded. Period, applicable in auto sequence operation, determines the time period that the power supply will remain at the memory location before advancing to the next memory state.

After pressing the mem key, the user can enter a new memory location by pressing a number on the keypad or by pressing the up/down keys to increment or decrement the memory location. After the selection is made, the enter key must be pressed to save the new memory location or else the clear

key can be pressed to exit without saving the new memory location.

The display key displays the voltage and current set points on the voltage and current display, respectfully. The display reverts to displaying the actual output voltage and output current when the display key is released. If the power supply is operating in voltage mode, then the actual output voltage will be close to the voltage set point and the actual output current will be less than the current set point. If the power supply is operating in current mode, then the actual output current will be close to the current set point and the actual output voltage will be less than the voltage set point.

The keypad and up/down keys are active in run mode operation. A repeat last command feature allows the voltage set point, current set point, over voltage trip, over current trip, or period to be modified without first pressing menu and item to select the parameter to be changed. Whatever parameter has been changed last is the one that will change when these key are pressed.

3.1.2 Set Point Commands

Figures 3.2 through 3.6 illustrate set point commands voltage set, current set, over voltage trip set, over current trip set, and period set, respectively. All of these commands can be made when the power supply is in either the standby, alarm, or power mode state.

Depending on whether the power supply is configured for rotary input or keypad input, the command sequence is slightly different. With the rotary configuration, voltage and current set point commands are entered with the front panel potentiometers and over voltage trip, over current trip, and period set points are entered with the keypad. With the keypad configuration, all commands are entered with the keypad.

With the power supply configured for rotary, first press the menu key to enter set point commands. The volt ctl (voltage control) LED will flash. This indicates that a change in the voltage potentiometer setting will create a new voltage set point. Pressing the item key causes the cur ctl (current control) to flash indicating that a change in the current potentiometer setting will create a new current set point. Repeated pressing of the item key cause the OVT (over voltage trip) LED to flash, the OCT (over current trip) LED to flash, and P (period) in the voltage display to flash. For each visual indicator, entering a number with the keypad or using the up/down keys will change the set point for the parameter being indicated with the flashing LED.

In all control modes, set point voltage and current can be quickly displayed by simply pressing the display key. This allows you to monitor both set points in standby, alarm, and power mode states.

With the power supply configured for keypad, first press the menu key to enter set point commands. The volt ctl (voltage control) LED will flash. This indicates that a keypad or up/down entry will create a new voltage set point. Pressing the item key causes the cur ctl (current control) to flash indicating that a keypad or up/down entry will create a new current set point. Repeated pressing of the item key causes the OVT (over voltage trip) LED to flash, the OCT (over current trip) LED to

flash, and P (period) in the voltage display to flash. For each visual indicator, entering a number with the keypad or using the up/down keys will change the set point for the parameter being indicated with the flashing LED.

The up/down keys have an acceleration feature to speed up entries. Pressing and holding the up/down keys cause number changes to increase or decrease at a faster rate. Upon nearing the desired set point number, release and press again to slow down the rate of change. After the selection is made, the enter key must be pressed to save the new set point or the clear key can be pressed to exit without saving the new set point.

Pressing and holding the clear key for 5 seconds while programming set point commands sets the voltage set point, current set point, over voltage trip, over current trip, and period for the particular memory location to default values. Pressing and holding the clear key for 10 seconds sets the same parameters of all 100 memory locations to the default parameters.

3.1.3 Configuration Commands

Figures 3.7 through 3.14 illustrate configuration commands set remote sense, set internal control, set external control, set rotary input, set keypad input, set external input, set remote input, and set external interlock, respectively. All of these commands must be made when the power supply is in the standby, alarm, or power mode state.

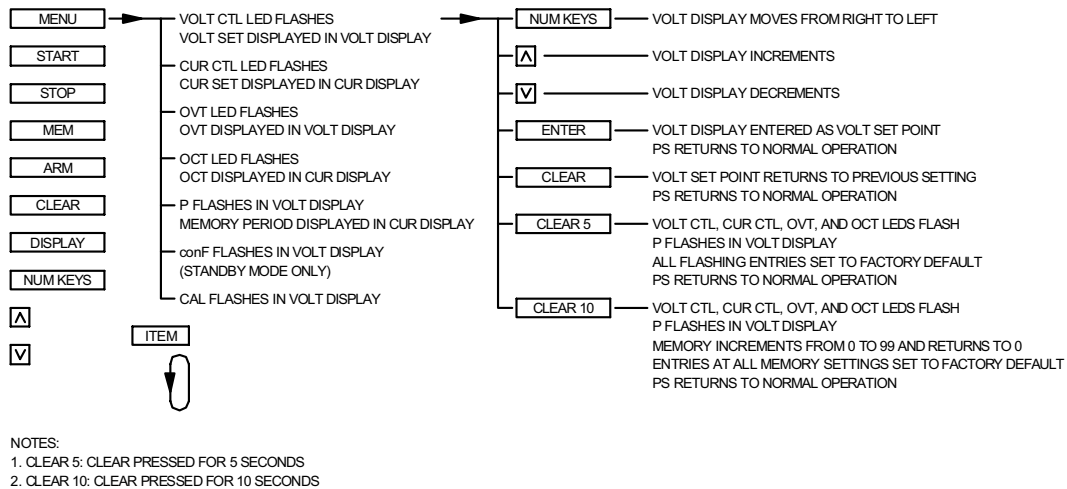


Figure 3.2 Set voltage output at memory displayed

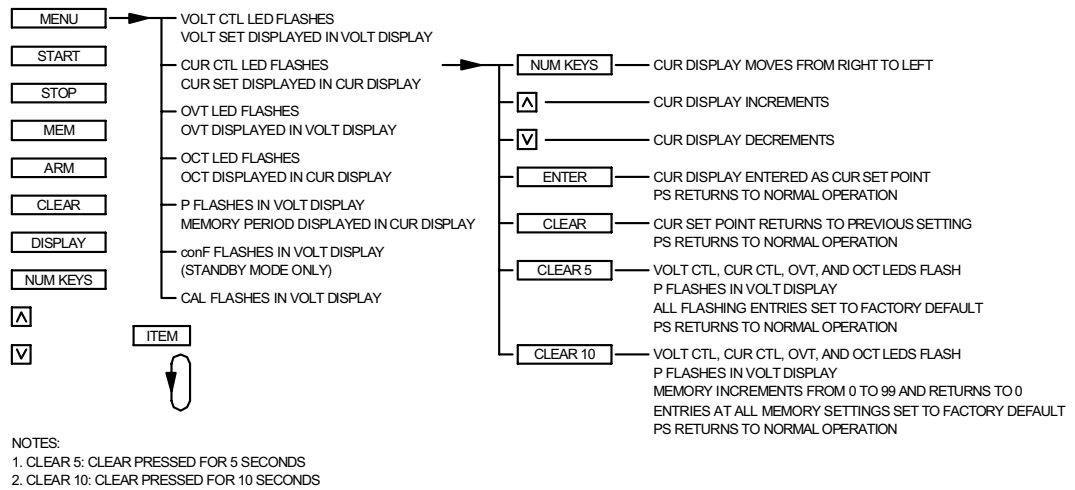


Figure 3.3 Set current output at memory displayed

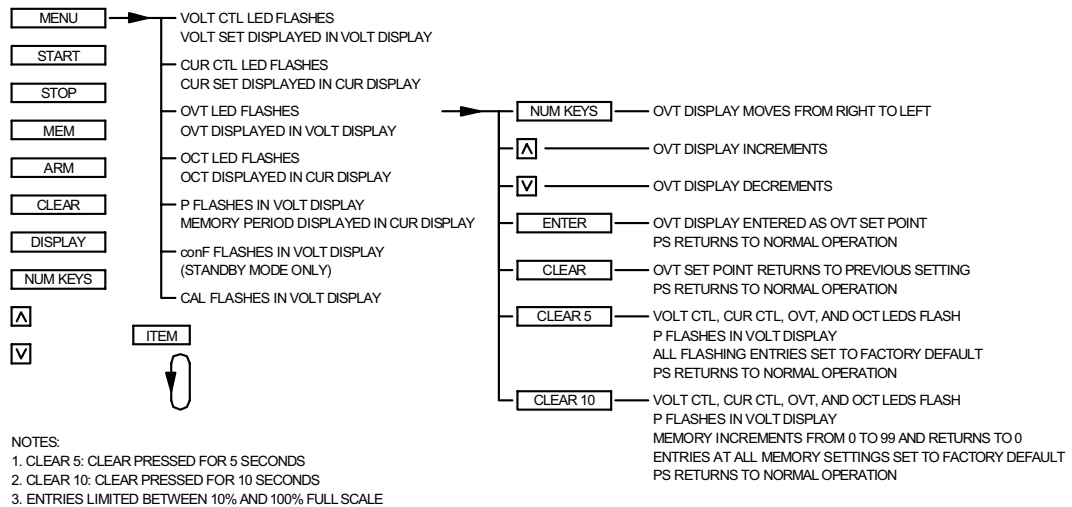


Figure 3.4 Set over voltage trip at memory displayed

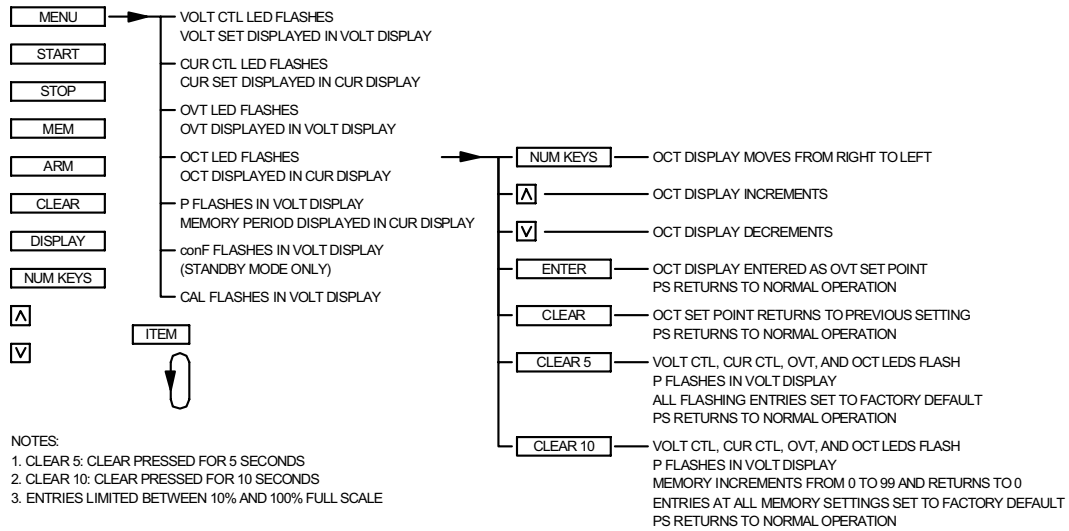


Figure 3.5 Set over current trip at memory displayed

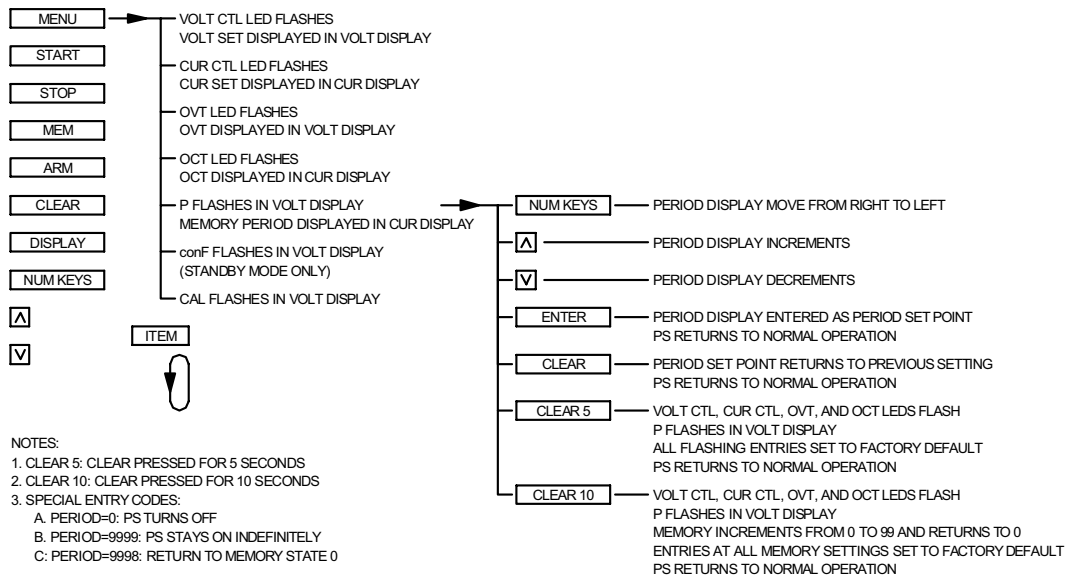


Figure 3.6 Set period at memory displayed

To enter the configuration commands, first press the menu key. The volt ctl (voltage control) LED will initially flash. Then press the item key 5 times. The voltage display will flash conF (configure). Press the enter key to select configure commands. The rem sen (remote sense) LED will initially flash. To choose remote sense, press the enter key or to select other configuration commands, press the item key. Each press of the item key will cause the another LED to flash. The order is int ctl (internal control), ext ctl (external control), rotary, keypad, ext pgm (external program), remote, and loc (interlock). Further item key presses will return the configuration command option back to rem sen.

Remote sense, internal control, external control, and interlock can be selected or deselected when the rem sen, int ctl, ext, ext ctl, or loc LED is flashing. To select, press enter or to deselect, press clear. Remote sense allows the output voltage to be sensed at the load rather than at the output terminals of the power supply. This feature eliminates regulation degradation caused by the voltage drop across the output cables. Details on the physical connections are covered in Section 3.3.

Internal control enables the start, stop, arm, and clear keys on the front panel. External control enables the start, stop, arm, and clear inputs at terminals 17, 19, 36, and 18 of connector JS1 on the rear panel, respectively. Both internal control and external control may be enabled to allow simultaneous control. Interlock requires a physical short between terminals 26 and 37 of connector JS1 to enable operation. This feature is useful for process control applications when a safety interlock is required. For wiring details, refer to Section 3.6.

Configuration commands for rotary, keypad, external program, and remote sets the reference input mode for voltage set, current set, over voltage trip, and over current trip. Only one input mode may be selected. Pressing enter when one of the respective LED is flashing causes that mode to selected and disables the previously selected mode. Pressing clear when the respective LED is flashing allows the user to exit the command sequence without change. With rotary control, voltage set points and current set points are set by the front panel potentiometers and over voltage trip and over current trip are set with the keypad. With keypad control, all four inputs are set with the keypad. By selecting external program, all reference inputs are set with the analog inputs at terminals 3, 22, 4, and 23 of connector JS1. See Section 3.4, for connecting external reference inputs. By selecting remote, all reference inputs are set over the RS232 bus.

3.1.4 Calibration Commands

Figure 3.15 describes the calibration commands. Calibration commands allow calibration of five digital potentiometers, display of the firmware revision, and reset the digital potentiometers to the factory calibration settings. All of these commands can be made when the power supply is in either the standby or power mode state.

To enter the calibration commands, press menu and then press item 6 times. Cal (calibration) will flash in the voltage display. Press 1,2,3, and 4 on the keypad and then press enter or press clear to

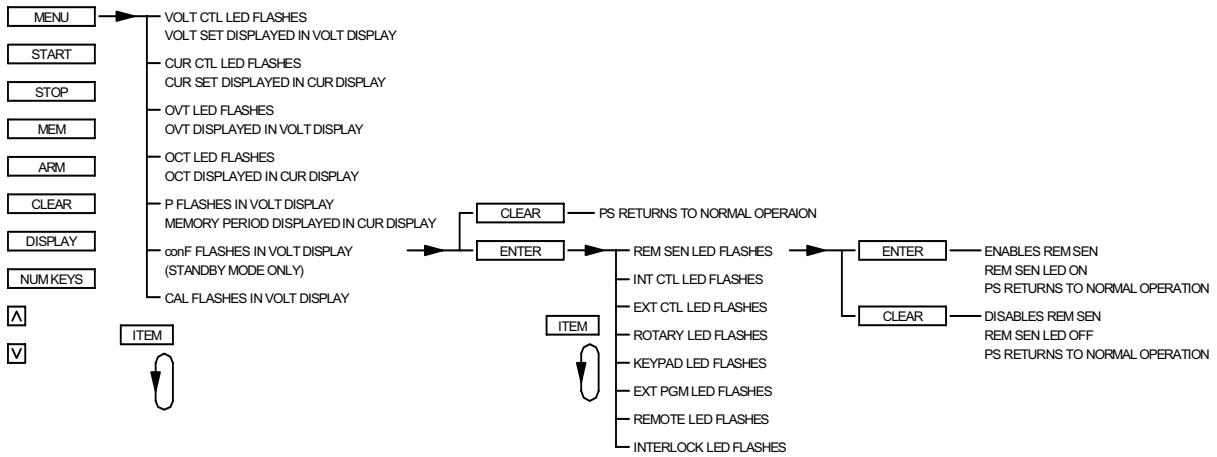


Figure 3.7 Set remote sense

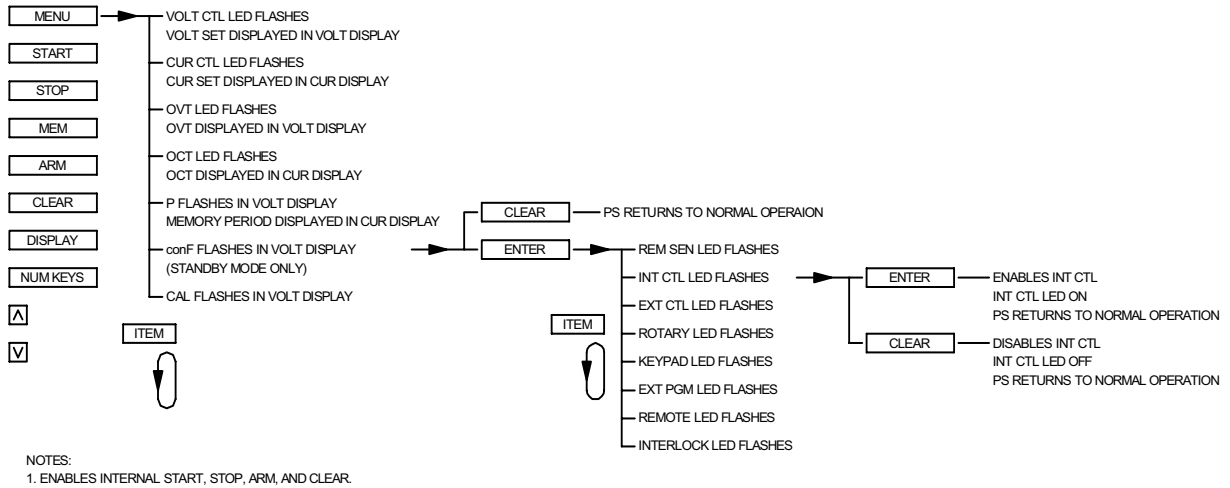


Figure 3.8 Set internal control

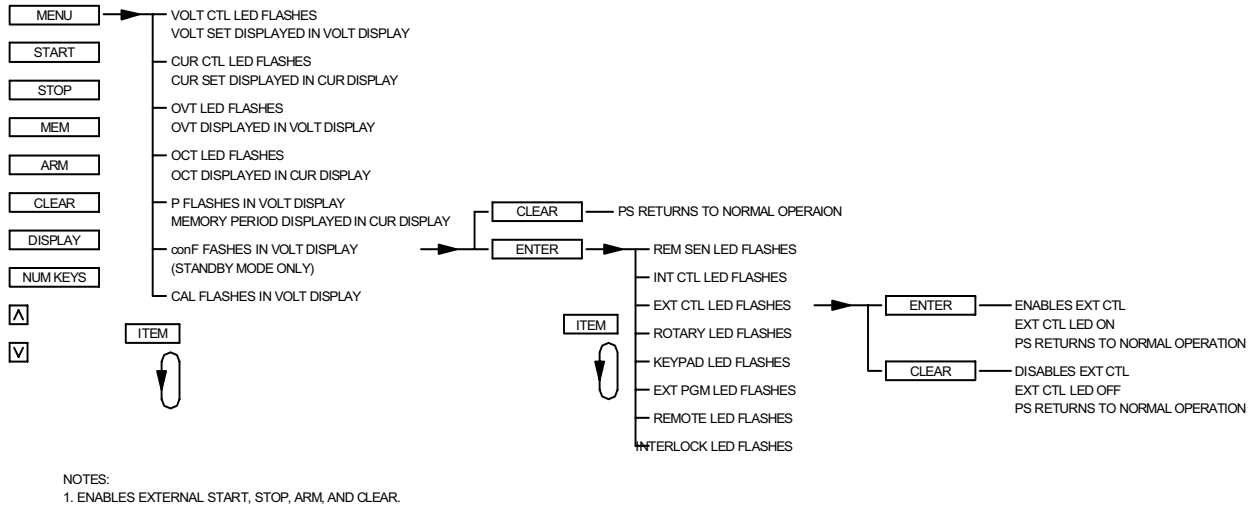


Figure 3.9 Set external control

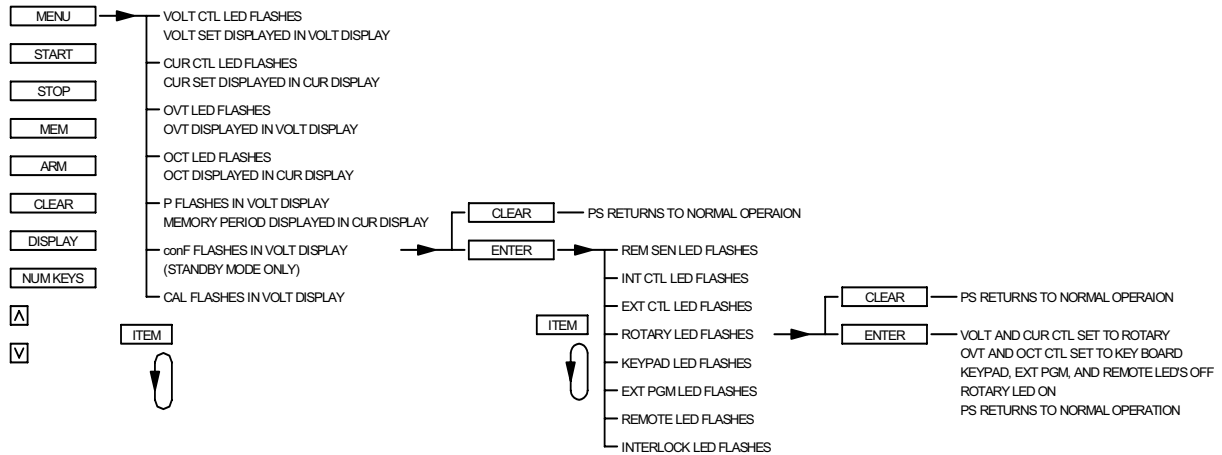


Figure 3.10 Set rotary input

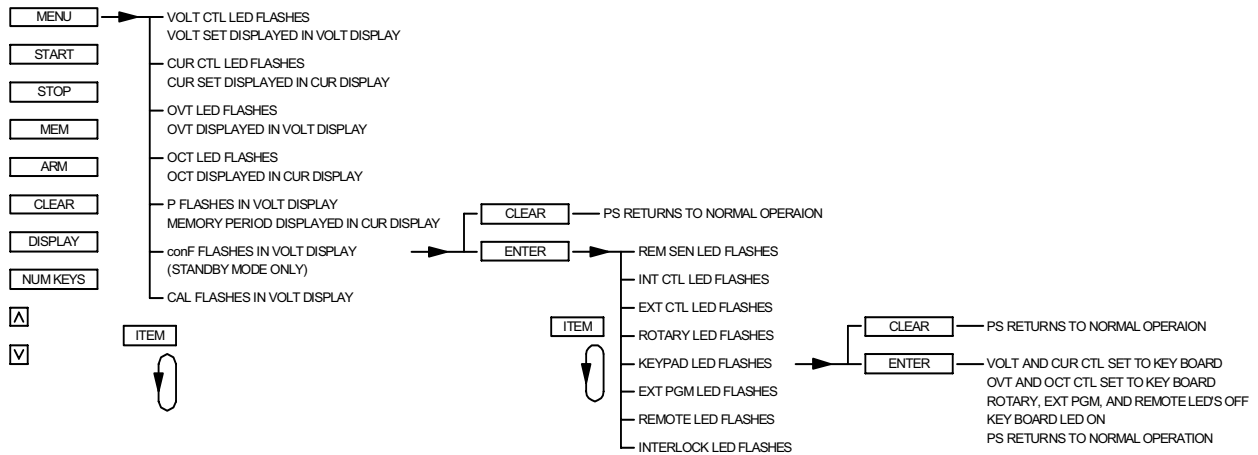
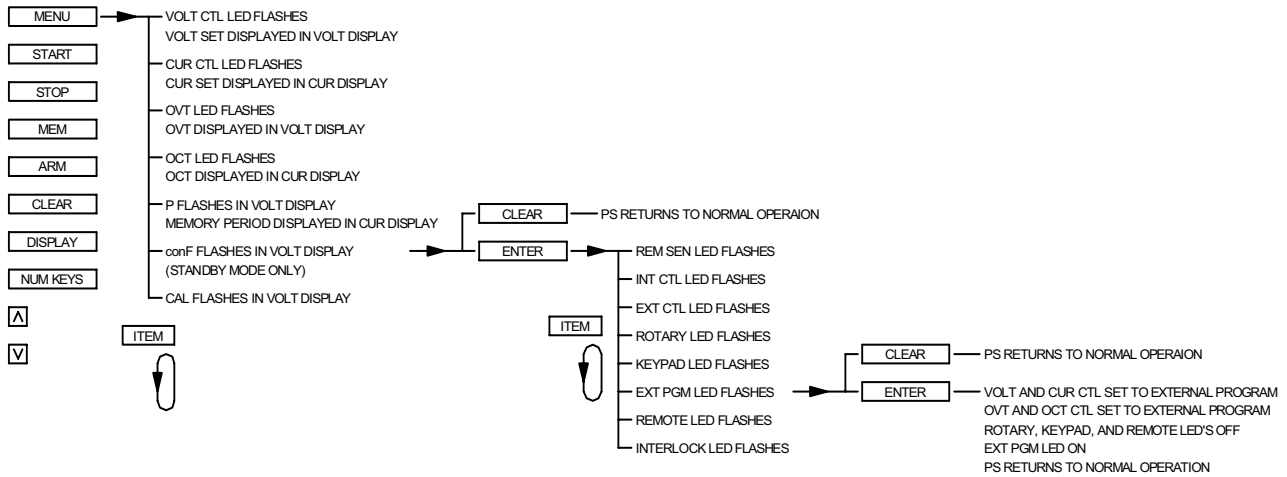


Figure 3.11 Set keypad input

Figure 3.12 Set external program input



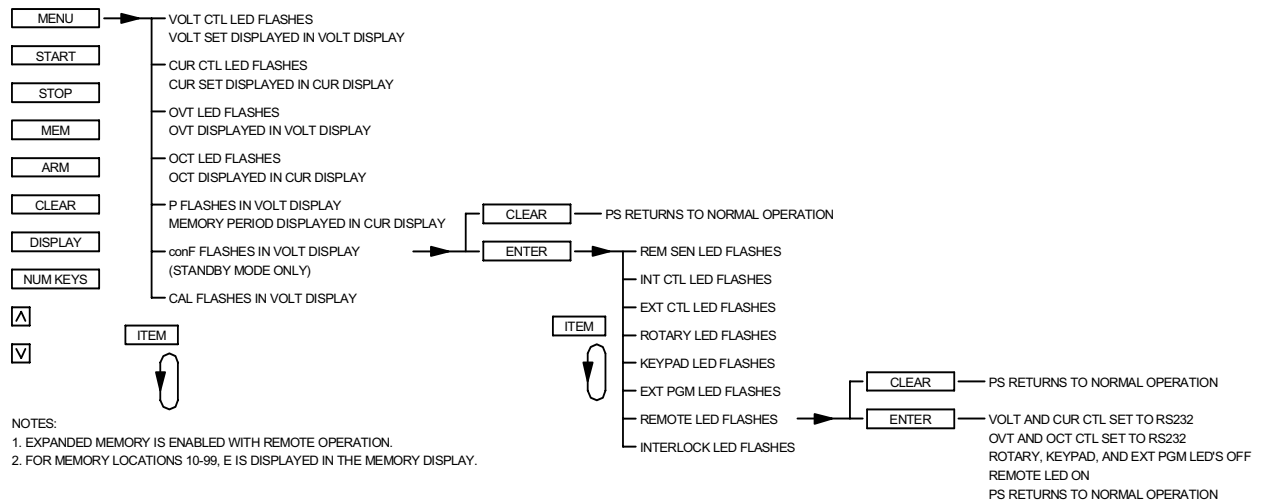


Figure 3.13 Set remote input

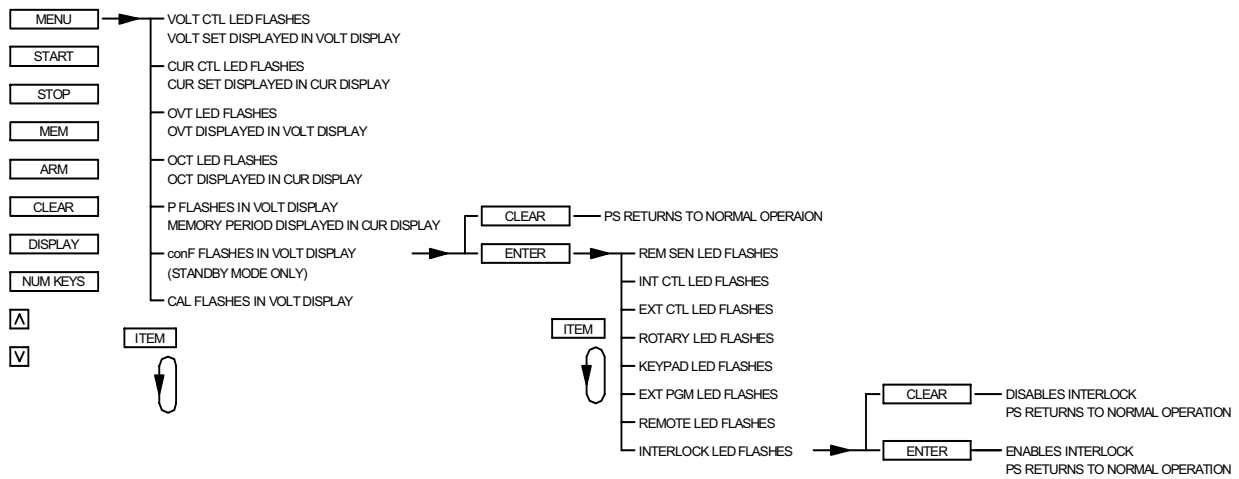


Figure 3.14 Set external interlock

exit the calibration command menu. Upon entering the calibration commands, the output voltage will be displayed in the voltage display, the potentiometer setting, P0 to P255, will be displayed in the current display, and the digital potentiometer, 1, will be displayed in the memory display. Potentiometer 1 adjusts the gain of the voltage feedback amplifier, potentiometer 2 adjusts the input offset voltage of the voltage feedback amplifier, potentiometer 3 adjusts the gain of the current feedback amplifier, potentiometer 4 adjusts the input offset voltage of the current feedback amplifier, and potentiometer 5 adjusts the gain of the reference which is used for the digital to analog and analog to digital converters.

Pressing the item key advances control to potentiometer 2. The memory display will show 2 and the output voltage will be displayed in the voltage display, the potentiometer setting, P0 to P255, will be displayed in the current display.

Pressing the item key again will advance the control to potentiometer 3. Now the output current will be displayed in the current display, the potentiometer setting, P0 to P255, will be displayed in the voltage display, and the memory display will show 3.

Again pressing item will advance to control potentiometer 4. The memory display will show 4 and the location of the output current display and potentiometer setting will be the same as before.

To advance adjustment to potentiometer 5, press the item key again. The memory display will show 5, the output voltage will be displayed in the voltage display, and the potentiometer setting, P0 to P255, will be displayed in the current display.

Once a digital potentiometer has been selected for adjustment, pressing the up/down keys increments or decrements the potentiometer setting. To save the new setting, press the enter key or press the clear key to exit the routine. Instructions for the calibration procedure are discussed in Section 7.3.1.

After selecting digital potentiometer 5, pressing the item key displays the firmware revision in the current display. Pressing the item key again displays dEF (default) in the voltage display. Pressing the enter key resets the five digital potentiometers to the factory default settings.

To exit the calibration menu, press the item key until rEt (return) appears in the voltage display. Press the enter key to exit the calibration menu.

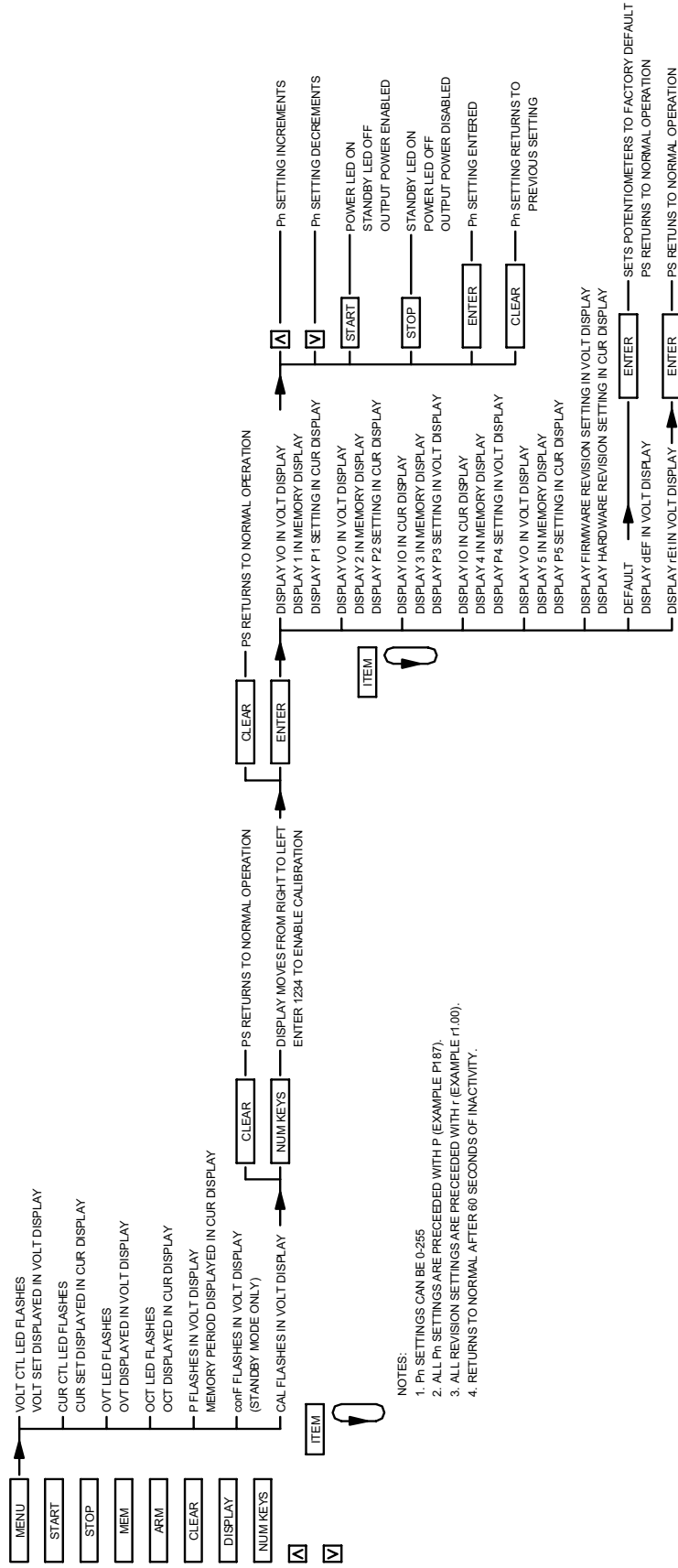


Figure 3.15 Calibration

3.1.5 Programming Sequential Step Applications

SPS power supplies have the powerful feature of programming output voltage, output current, over voltage trip, over current trip, and period for 100 memory states. The different states can be selected by the user, timed stepped, or triggered through the front panel or rear connector. Memory states 0 through 9 can be set through the front panel and memory states 0 to 99 can be set through the RS232 interface. When the power supply is at memory states 10 through 99, E (extended) will be displayed in the mem (memory) display. The programming variables are defined as follows:

1. MEM: memory location for parameters stored.
2. Voltage: output voltage set point. The default state is 0 Vdc and the maximum voltage setting is the rating of the power supply.
3. Current: output current set point. The default state is 0 Adc and the maximum current setting is the rating of the power supply.
4. OVT: over voltage trip. The default state and maximum setting are 110% of the voltage rating of the power supply.
5. OCT: over current. The default state and maximum setting are 110% of the current rating of the power supply.
6. Period: time period or interval at the current step. Special meanings are given to time periods of 0, 9998, and 9999 as described below.

To initiate sequential step operation, the power supply must first be programmed and armed by pressing the arm key on the front panel or by triggering terminal 36 of JS1 located at the rear of the power supply. The program is initiated by pressing the start switch on the front panel or by triggering terminal 17 of JS1. Once triggered the power supply will attempt to run through the program programmed for each memory step

With auto sequence operation, the memory will increment at the end of the time period or by again pressing the start switch on the front panel or by triggering terminal 17 of JS1. This allows the time period programmed to be advanced or allows auto sequence operation without time period programming.

Periods defined by 0, 9998, 9999 have special meaning. When a time period of 0 is encountered in the program sequence, the power supply is set to a standby or off state. Conversely, when a time period of 9999 is encountered in the programming sequence, the power supply is set to be continuously on. Whenever 9998 is encountered, the program jumps to memory location 0 thereby allowing the power supply to create periodic waveforms.

The program can be terminated at any point in the program by pressing the stop switch or by triggering terminal 19 of JS1. The program can be restarted at the current memory step by pressing the start switch or by triggering terminal 17 of JS1.

The power supply can always be operated with the programmed parameters at each memory step by setting or advancing the memory step location with the memory set key.

3.2 Modes of Operation

3.2.1 Normal Mode

SPS series power supplies are normally shipped with its configuration set for rotary mode input, local sensing, internal control, and external control. This configuration is set by front panel commands described in Section 3.1.3 of this manual. With this configuration, the operator can select either a constant voltage or a constant current output using the front panel controls.

3.2.2 Constant Voltage

To select constant voltage output, proceed as follows:

With the supply off, set both rotary controls to full counterclockwise. Press the display key and advance the voltage and current controls for the desired output voltage and the desired crossover current. The crossover current is the current at which the power supply becomes a constant current source.

Connect the load and turn on the power supply. The output voltage should be close to the voltage set point. If a load change causes the current limit to be exceeded, the power supply will automatically crossover to constant current output at the preset current limit and the output voltage will drop proportionately. In setting the current limit, allowance must be made for high peak currents which can cause unwanted crossover (see Section 3.10).

3.2.3 Constant Current

To select constant current output, proceed as follows:


With the supply off, set both rotary controls to full counterclockwise. Press the display key and advance the voltage and current controls for the desired output current and the desired crossover voltage. The crossover voltage is the voltage at which the power supply becomes a constant voltage source.

Connect the load and turn on the power supply. The output current should be close to the current set point. If a load change causes the voltage limit to be exceeded, the power supply will automatically crossover to constant voltage output at the preset voltage limit and the output current will drop proportionately.

3.3 Remote Sensing

Remote sensing is used to improve the degradation of regulation which will occur at the load when the voltage drop in the connecting wires is appreciable. This is done by configuring the power supply for remote sensing as described in Section 3.1.3. Using a pair of #20 AWG wires, connect terminal 2 of JS2 to the positive terminal of the load and connect terminal 1 of JS2 to the negative

terminal of the load. Figure 3.16 illustrates standard output sensing and remote output sensing.



Caution: Configuring the power supply for remote sensing requires terminals 1 and 2 of JS2 to be connected to the load as illustrated in figure 3.16. Operating the power supply configured for remote sensing and without this connection can cause power supply failure.

3.4 External Programming

SPS series supplies allow voltage, current, voltage trip, and current trip to be programmed from a remote location. Programming can be accomplished either by resistive, voltage, or current programming circuits.

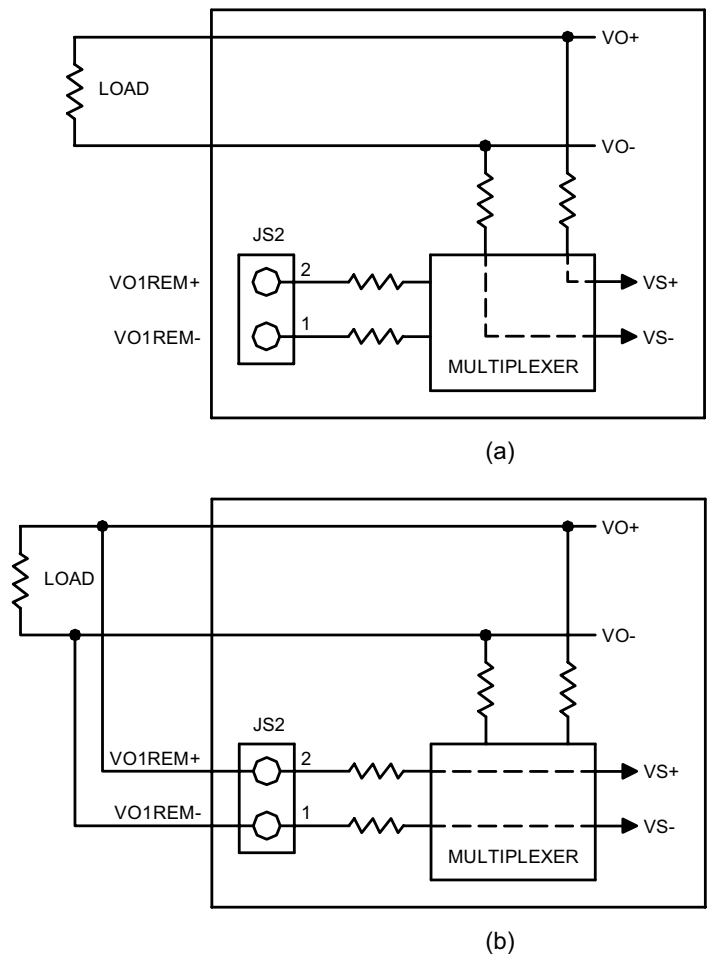


Figure 3.16 (a) sensing

Standard and (b) remote

Figure 3.17 illustrates the three alternatives for programming the voltage set point. The method applies equally to programming set point current, over voltage trip, and over current trip.

3.4.1 Resistive Programming

Resistive programming requires connection of an external potentiometer or resistors between terminals 21, 3, and 1 of JS1. Terminal 21 is a 2.0 V precision reference, terminal 1 is the reference ground, and terminal 3 is the voltage set point input. Like front panel rotary control, the 2.0 V precision reference produces a voltage across the potentiometer or resistors which is then used to produce the voltage set point. Metal film resistors or a wire wound potentiometer will result in the lowest temperature coefficient.

The current set point, over voltage trip, and over current trip can be programmed in the same manner. Referring to the table in figure 1.2 for terminal identification, use terminal 22 to program the current set point, terminal 4 to program over voltage trip, and terminal 23 to program over current trip. The power supply has been calibrated to produce full scale output voltage, output current, over voltage trip, and over current trip with a 2.0 V input at the external reference input terminals.

Over voltage trip and over current trip may be set to a value greater than full scale voltage and current by using terminal 26 as the reference voltage. The reference output at this terminal is 5.0. If the applied voltage at any input is greater than 2.50 V, the pgl (program line) LED will light and the power supply will turn off.

3.4.2 Voltage Programming

Voltage programming is very similar to resistive programming. In this case, the voltage reference, terminal 21 of JS1, is not used and an external voltage reference is applied to the programming inputs directly. A 2.0 V voltage source placed between terminals 3 and 1 of JS1 will produce full scale output voltage.

The current set point, over voltage trip, and over current trip can be programmed in the same manner. Referring to the table in figure 1.2 for terminal identification, use terminal 22 to program the current set point, terminal 4 to program over voltage trip, and terminal 23 to program over current trip. The power supply has been calibrated to produce full scale output voltage, output current, over voltage trip, and over current trip with a 2.0 V input at the external reference input terminals.

If the applied voltage at any input is greater than 2.50 V, the pgl (program line) LED will light and the power supply will turn off.

3.4.3 Current Programming

Current programming, like voltage programming, does not require the voltage reference at terminal

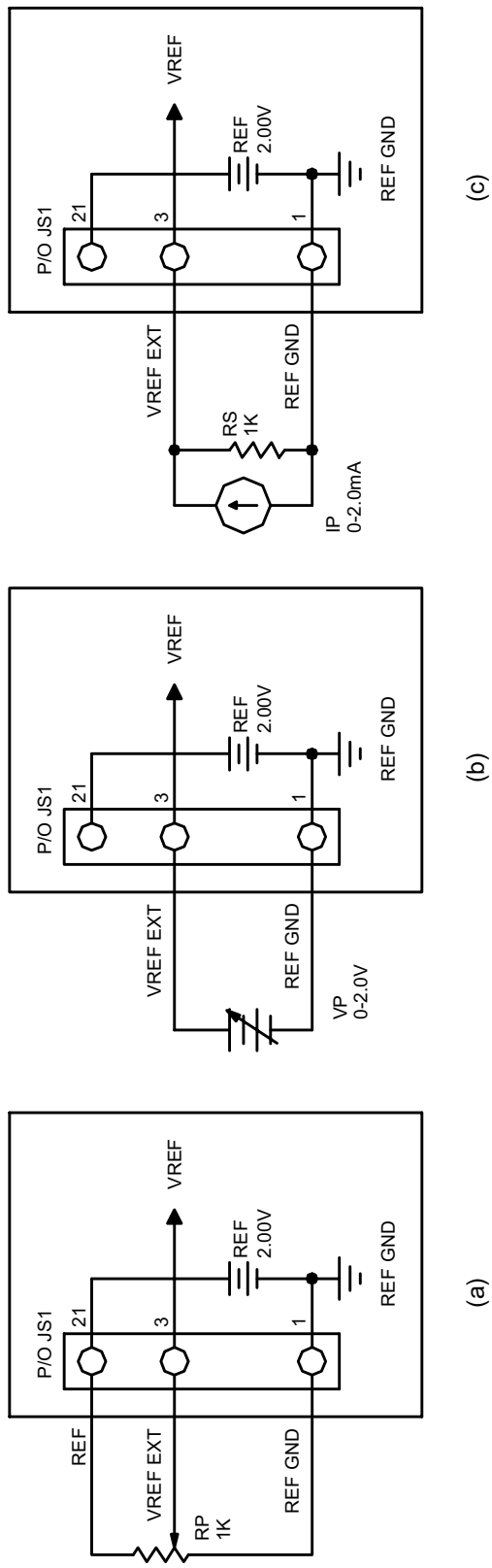


Figure 3.17 External (a) resistive, (b) voltage, and (c) current programming

21 of JS1. To produce the voltage reference, a current source is applied to a shunt resistor. Using a 2 mA current source, place a 1.0 K precision metal film resistor between terminals 3 and 1 of JS1. This will produce 2.0 V at the external voltage reference input which will produce full scale output voltage. The magnitude of the current source and shunt resistor may be inversely scaled to produce the same results.

The current set point, over voltage trip, and over current trip can be programmed in the same manner. Referring to the table in figure 1.2 for terminal identification, use terminal 22 to program the current set point, terminal 4 to program over voltage trip, and terminal 23 to program over current trip. The power supply has been calibrated to produce full scale output voltage, output current, over voltage trip, and over current trip with a 2.0 V input at the external reference input terminals.

If the applied voltage at any input is greater than 2.50 V, the pgl (program line) LED will light and the power supply will turn off.

3.5 Voltage and Current Monitoring

Two outputs are provided for monitoring output voltage and current and for use in master/slave series and parallel operation. As illustrated in figure 3.18, output monitoring voltage, VO2, can be obtained by monitoring the voltage between terminals terminal 5 of JS1 and terminal 1,2 or 20 of JS1. Output monitoring current, IO2, can be obtained by monitoring the voltage between terminals terminal 24 of JS1 and terminal 1,2 or 20 of JS1. Like the programming inputs, full scale output voltage and current will produce 2.0 V. The output impedance at these terminals is 100 Ω.

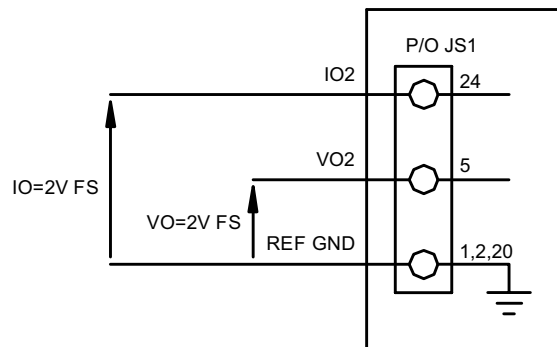


Figure 3.18 Monitoring output (a) voltage and (b) current

3.6 Digital Control Lines

All digital input and output control lines are connected to connector JS1 located on the rear panel. As illustrated in figure 3.19, the digital input lines are start, stop, clear, arm, and interlock set.

Functionally, the first four digital input control lines emulate the functions on the front panel when external control is enabled. Enabling external control and external interlock is described in Section 3.1.3.

Interlock set requires a either a physical short between terminals 26 and 37 of connector JS1 or connection of a 5.0 V source with the positive connection at terminal 37 of JS1 and the negative connection at terminal 7 of JS1. One of these two connections must be made to enable operation of the power supply. If the interlock connection is broken then the loc (interlock) LED lights and the power supply shuts off. As illustrated, digital control lines may be paralleled with other supplies to allow simultaneous control.

Digital output control lines provide the means to monitor diagnostic functions as well as mode of operation (voltage or current). All digital output control lines, as illustrated in Figure 3.20, are connected to connector JS1. Refer to this figure for terminal identification. Each output monitoring line can drive a 5.0V, 5.0mA load. An alarm condition will produce a 5.0 V output at the respective terminal.

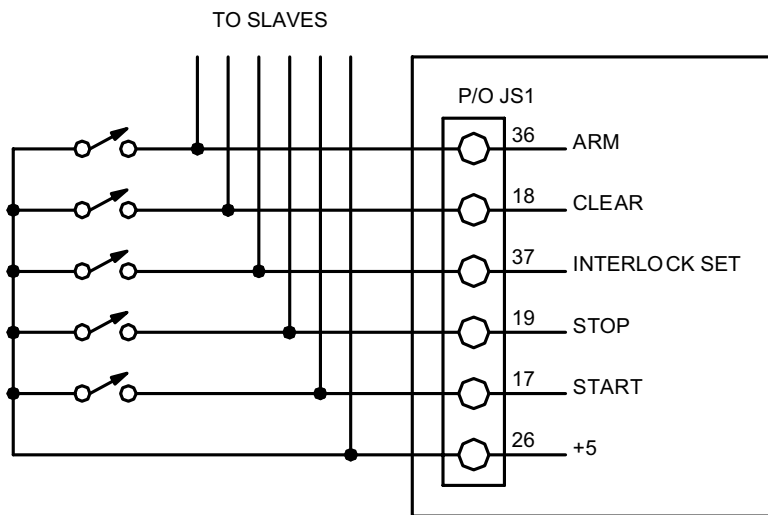


Figure 3.19 Digital input control lines

3.7 Diagnostic Functions

Diagnostic functions and mode of control are embedded in the supply's closed loop control. The power supply will operate using voltage control or current control depending on which setting is

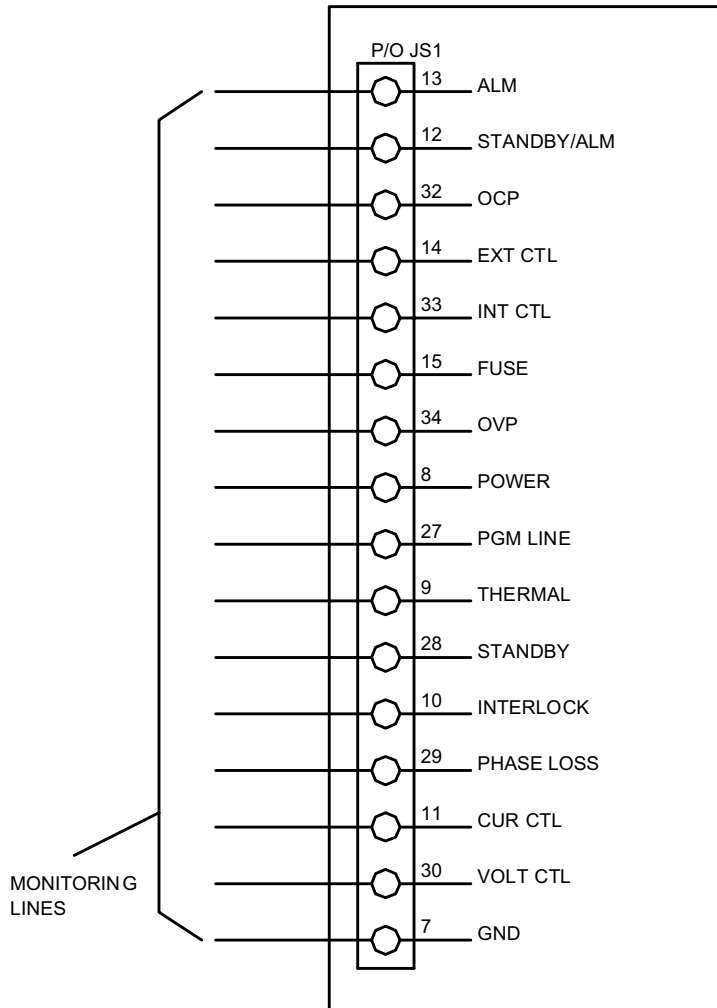


Figure 3.20 Digital output control lines

lowest. Voltage control and current control also contain a soft start function which causes voltage and/or current to ramp to the desired set point after power is initiated. The soft start circuitry is reset upon power-on or operation of any diagnostic function.

Diagnostic functions include thermal overload, interlock, power, standby, phase loss, program line, fuse, over voltage, and over current. All diagnostic indicators have memory retention which saves the fault condition until the power supply is reset. To clear a fault condition, the user must press the clear key on the front panel with internal control or by applying 5.0 V to terminal 18 of JS1 with external control. Alternatively, the supply can be cleared by turning the power supply off and on.

Thermal overload indicates that the input power processing devices or output rectifiers have reached a critical temperature. A resetting thermal breaker will reset upon cooling.

Standby indicates that the control circuits are powered, but the supply is disabled through the ac contactor. This is the power supply's normal off condition. To start the supply, press the start switch. To place the supply in standby, press the stop switch.

Phase loss indicates a problem with the power mains voltage.

Program line means the voltage set point, current set point, over voltage trip, or over current trip external input is set beyond the range of control. These lines are constantly monitored and if any of these references are set above the normal bounds, program line diagnostics will disable the supply.

Fuse indicates that one of the three main fuses has cleared. Power must be removed from the supply and the fuse must be replaced to correct this condition.

Over voltage trip indicates that the supply has exceeded the over voltage trip reference. This condition causes the supply to shutdown. To clear this condition, the user must press the clear key on the front panel with internal control or by applying 5.0 V to terminal 18 of JS1 with external control. To restart the supply, simply press the start switch.

Over current trip indicates that the supply has exceeded the over current trip reference. To clear this condition, the user must press the clear key on the front panel with internal control or by applying 5.0 V to terminal 18 of JS1 with external control. To restart the supply, simply press the start switch.

If external interlock is enabled, interlock set requires a either a physical short between terminals 26 and 37 of connector JS1 or connection of a 5.0 V source with the positive connection at terminal 37 of JS1 and the negative connection at terminal 7 of JS1. If the interlock connection is broken then the loc (interlock) LED lights and the power supply shuts down.

Any diagnostic condition causes an alarm condition and the alarm LED to light. This feature can be used as an external standalone signal to indicate there is a problem.

Other indicators available for monitoring are internal control, external control, voltage mode control, and current mode control.

3.8 Parallel Operation

Two or more SPS Series power supplies can be connected in parallel to obtain a total output current greater than that available from one power supply. The total output current is the sum of the output currents of the individual power supplies. Each power supply can be turned on or off separately.

3.8.1 Parallel Operation - Direct

The simplest parallel connection involves attaching the positive terminals of all supplies to be paralleled to the positive point of the load and attaching the negative terminals to the negative point

of the load. The output current controls of each power supply can be separately set. The output voltage control of one power supply (master) should be set to the desired output voltage; the other power supply (slave) should be set for a slightly higher output voltage. The master will act as a constant voltage source; the slave will act as a constant current source, dropping its output voltage to equal that of the master.

3.8.2 Parallel Operation - Master/Slave

Master/slave parallel operation permits equal current sharing under all load conditions and allows complete control of output current from one master power supply.

Figure 3.21 illustrates the terminal connection for master/slave parallel operation and salient control circuitry. The control cable, along with resistors R1 through R4 integrated into the assembly, can be fabricated by the user or purchased as an option from the factory. These connections perform the following functions:

1. The current monitoring voltage, IO2, on the master power supply connects to the external current set point input on the slave power supply. This makes the slave power supply operate at the same current output as the master power supply
2. The power output digital control line of the master power supply connects to the start digital control line of the slave power supply. This connection causes the slave unit to turn on when the master unit is turned on.
3. The standby/alm digital control line of the master power supply connects to the stop digital control line of the slave power supply. This connection causes the slave unit to turn off when the master unit is turned off or a diagnostic condition appears.
4. Resistor R3 and R4 connections set the voltage set point of the slave unit to approximately 2% above the voltage set point of the master unit. This ensures that the slave unit will operate as a current source with an output voltage not to exceed 2% that of the master unit under any steady state or transient condition.
5. Resistor R1 and R2 connections set over voltage trip and over current trip to set points just beyond full scale values. This forces the slave power supply to operate simply as a current source whose current set point is established by the master unit.

The slave power supply must be configured for external program input. The master unit can be configured for rotary, keypad, external program, or remote input. Configuration commands are discussed in Section 3.1.3.

To add a second slave unit, connect the output terminals of the second slave in parallel with the other two power supplies. Furthermore, connect a second control cable between the second slave unit and the master unit.

3.9 Series Operation

Two or more power supplies can be connected in series to obtain a total output voltage greater than that available from one power supply. The total output voltage is the sum of the output voltage of

the individual power supplies. Each power supply can be turned on or off separately.



Caution: No plus or minus voltage should exceed 800 V with respect to ground.

3.9.1 Series Operation - Direct

The simplest series connection involves attaching the positive terminal of the first supply to the negative terminal of the second supply. The load is connected between the negative terminal of the first supply and the positive terminal of the second supply. The output current controls of each power supply are operative and the current limit is equal to the lowest control setting. If any one output current control is set too low with respect to the total output current, the series power supplies will automatically crossover to constant current operation and the output voltage will drop.

3.9.2 Series Operation - Master/Slave

Master/slave series operation permits equal voltage sharing under all load conditions and allows complete control of output voltage from one master power supply.

Figure 3.22 illustrates the terminal connection for master/slave series operation and salient control circuitry. The control cable, along with resistors R1 through R4 integrated into the assembly, can be fabricated by the user or purchased as an option from the factory. These connections perform the following functions:

1. The voltage monitoring voltage, VO₂, on the master power supply connects to the external voltage set point input on the slave power supply. This makes the slave power supply operate at the same voltage output as the master power supply
2. The power output digital control line of the master power supply connects to the start digital control line of the slave power supply. This connection causes the slave unit to turn on when the master unit is turned on.
3. The standby/alm digital control line of the master power supply connects to the stop digital control line of the slave power supply. This connection causes the slave unit to turn off when the master unit is turned off or a diagnostic condition appears.
4. Resistor R3 and R4 connections set the current set point of the slave unit to approximately 2% above the current set point of the master unit. This ensures that the slave unit will operate as a voltage source with an output current not to exceed 2% that of the master under any steady state or transient condition.
5. Resistor R1 and R2 connections set over voltage trip and over current trip to set points just beyond full scale values. This forces the slave power supply to operate simply as a voltage source whose voltage set point is established by the master unit.

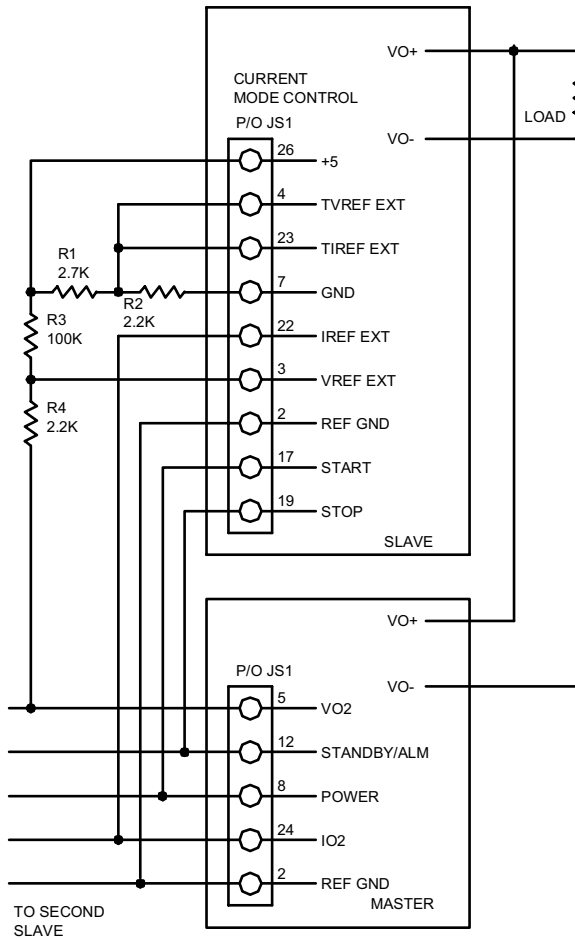


Figure 3.21 Master/slave parallel connection

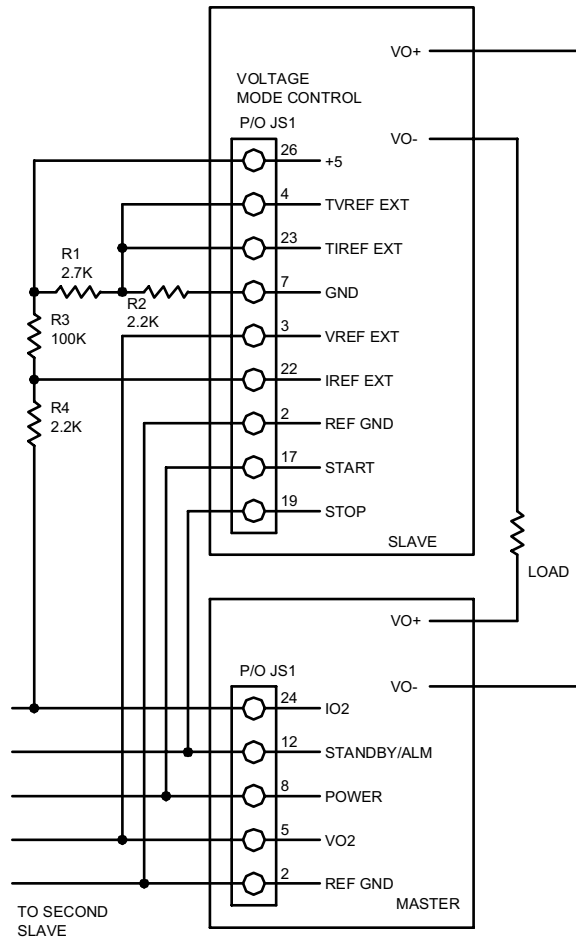


Figure 3.22 Master/slave series connection

The slave power supply must be configured for external program input. The master unit can be configured for rotary, keypad, external program, or remote input. Configuration commands are discussed in Section 3.1.3.

To add a second slave unit, connect the output terminals of the second slave in series with the other two power supplies. Furthermore, connect a second control cable between the second slave unit and the master unit.

3.10 Pulse Loading

The power supply will automatically crossover from constant voltage to constant current operation, or the reverse, in response to an increase (over the preset limit) in the output current or voltage, respectively. With the preset limit set to the average output current or voltage, high peak currents or voltages, as occur in pulse loading, may exceed the preset limit conditions and cause crossover

to occur. To avoid this unwanted crossover, the preset limit must be set for the peak requirement and not the average.

There are internal capacitors across the output terminals of the power supply. These capacitors help to supply high-current pulses of short duration during constant voltage operation. Any capacitance added externally will improve the pulse current capability, but will decrease the safety provided by the constant current circuit. A high-current pulse may damage load components before the average output current is large enough to cause the constant current circuit to operate.

3.11 Conversion to 240/440 V Operation

SPS series supplies are normally wired for 208 V, 3 ϕ operation. For conversion to 240 V, 3 ϕ operation, three connections have to be changed inside the supply.

Disconnect all power leads to the power supply and remove the top cover. Locate main transformer T1. Move the wire on tap 3 to tap 4 and move the wire on tap 2 to tap 1. On the control transformer near the front left side of the chassis, move the jumper wire from terminals 2 and 3 to terminals 1 and 2. Make sure the connections are secure. Replace the top cover. The conversion is complete.

A 480 V, 3 ϕ , SPS power supply can be converted to 440 V by following a similar but reverse process.

Disconnect all power leads to the supply and remove the top cover. Locate main transformer T1. Move the wire on tap 4 to tap 3 and move the wire on tap 1 to tap 2. On the control transformer near the front left side of the chassis, move the jumper wire from terminals 1 and 2 to terminals 2 and 3. Make sure the connections are secure. Replace the top cover. The conversion is complete.

3.12 Nomenclature

The following defines user connections on the terminal strips and input/output power connections.

AC INPUT:

A: Phase A input.

B: Phase B input.

C: Phase C input.

GND: System ground.

DC OUTPUT:

VO+: Positive output.

VO- : Negative output.

PROGRAMMING INPUTS AND OUTPUTS:

REF GND: Reference ground.

REF: Reference for external analog control

REF CAL: Reference used for the calibration procedure

VO1REM+: Remote positive voltage sense.

VO1REM-: Remote negative voltage sense.

VO2: Output monitoring voltage.

IO2: Output monitor current.

VREF: Voltage set point reference.

IREF: Current set point reference.

TVREF: Over voltage trip reference.

TIREF: Over current trip reference.

VMOD: Modulation input voltage.

DIGITAL INPUT CONTROL LINES:

STOP: Remote stop.

START: Remote start.

CLEAR: Clear.

ARM: Arm.

INTERLOCK SET: Interlock set.

DIGITAL OUTPUT CONTROL LINES:

STANDBY: Standby.

POWER: Control circuit power.

INT CTL: Internal control.

EXT CTL: External control.

PGL: Program line shutdown.

OVT: Over voltage trip shutdown.

OCT: Over current trip shutdown.

PHL: Phase loss shutdown.

THL: Thermal overload shutdown.

FSE: Fuse cleared.

VOLT CTL: Voltage control.

CURRENT CTL: Current control.

LOC: Interlock open.

STANDBY/ALM: Standby or alarm.

ALM: Alarm condition.

FRONT PANEL:

PWR: Control power.

MENU: menu.

ENTER: enter.

ITEM: specific item within menu selection.

DISPLAY: displays voltage and current set point.

MEM: Memory.

REM SEN: Remote sense.

ROTARY: Front panel potentiometer voltage and current control.

KEYPAD: Keypad control.

EXT PGM: External analog control.

REMOTE: RS232 control.

4.0 PROGRAMMING WITH SCPI COMMANDS

4.1 RS-232 Interface

The SPS Series power supplies provide RS232 communications as a standard feature. The RS232 port, connector JS3, located on the rear panel, allows all of the front panel functions plus some additional commands to be implemented using SCPI commands. To establish RS232 communications, configure the power supply for remote operation using the front panel commands described in Section 3.13, set the RS232 interface to the specifications detailed in Section 1.5, and connect a 9-conductor straight through, D-subminiature cable between the computer interface and connector JS3.

Communications to the SPS Series power supply can be made using a Terminal program or with the Remote Interface Software supplied with the power supply. The Remote Interface Software, covered in Section 5.0, contains command output frames to display the SCPI command being written to obtain the desired result. This feature provides feedback to the user to help program with SCPI commands.

4.2 Electrical Testing Using RS-232 Communications

SPS Series power supplies can be tested using any Terminal program; one is included with Microsoft Windows (tm) called HyperTerminal. The following outlines the procedure.

1. Configure the power supply for remote operation using the front panel commands described in Section 3.13.
2. Connect a 9-conductor straight through, D-subminiature cable between the computer interface and connector JS3 at the rear of the power supply.
3. Verify the availability of the RS-232 port selected.
4. Turn on the power switch of the SPS Series power supply and turn on the IBM PC or compatible computer.
5. Start the HyperTerminal test software and set the COM port to the one connected to the SPS Series Power supply. Configure the terminal for 19200, N, 8, 1. Set the terminal to echo typed characters locally and “append line feeds to incoming line ends.” (The echo feature is not functional with Windows 98.)
6. Type the query command “*IDN?” in the output data window and press enter. The text should be entered inside the quotation marks.
7. As illustrated in figure 4.1, the returned data will display the following:
“American Reliance, Inc., SPS16-600, SN: 108-0361” where the model and serial number may be different depending on the unit being tested.
8. Verify that the model number in the *IDN? response corresponds to the power supply under test. If this is not the case, configure the supply using the steps outlined in Section 4.3.9.1 CAL:IDN.
9. With the output terminals of the power supply open, enter the command VOLT xx where xx

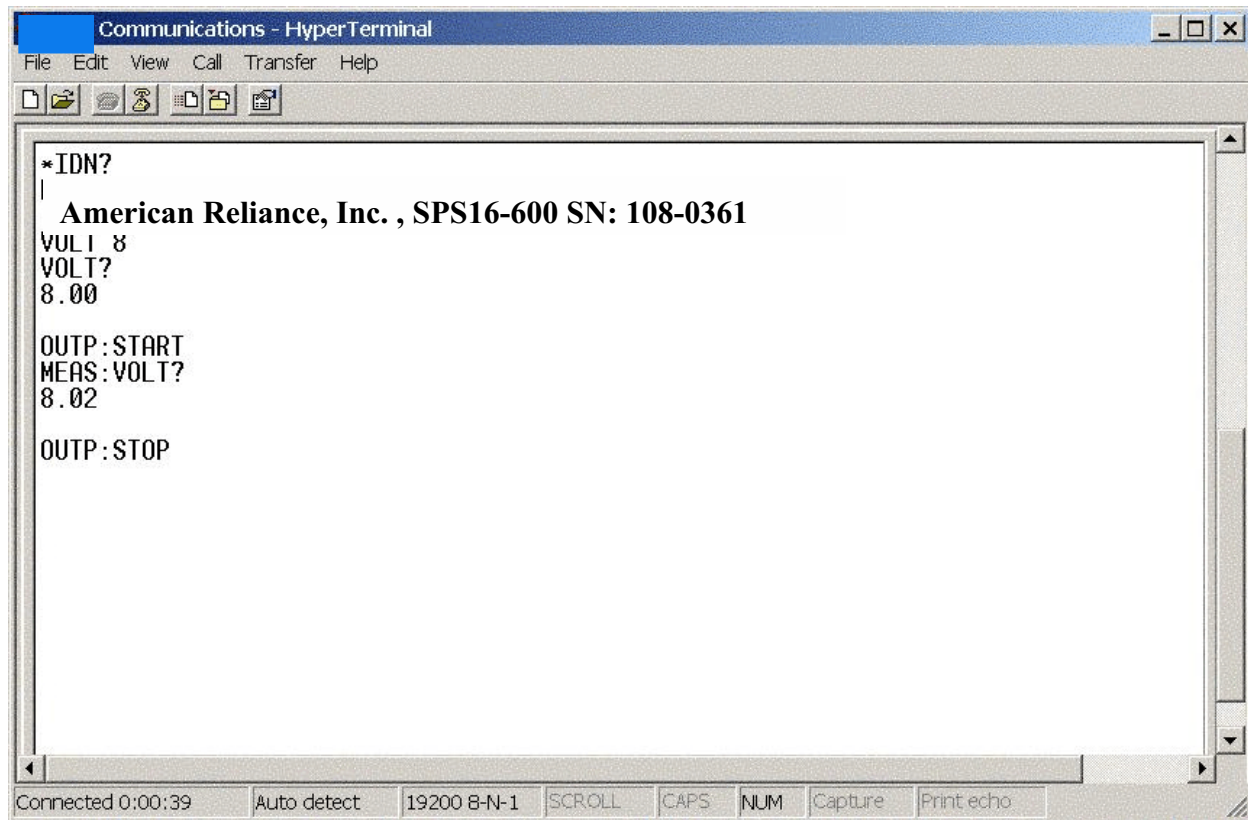


Figure 4.1 RS-232 Communications using Microsoft Windows (tm) HyperTerminal

- is 50% of rated voltage and press enter. Press the display key on the front panel of the power supply and verify that the set point is 50% of rated voltage.
10. Enter the command `OUTP:START` and press enter. The power supply's contactor should close with an audible click and the front panel indicators and meters should indicate power flow. Verify that the power supply's output voltage is equal to the `VOLT` setting set in the previous command.
 11. Enter the command `MEAS:VOLT?` and press enter. Verify the output voltage corresponds the voltmeter on the front panel of the power supply.
 12. Enter the command `OUTP:STOP` and press enter. The power supply's contactor should open with an audible click and the front panel indicators and meters should indicate operation in a standby state.

4.3 SCPI Subsystem Commands

SPS Series Power supplies are supplied with a RS232 interface. Optionally, a IEEE-488 to RS232 converter, Ethernet to RS232 converter, or other communications converter can be applied to transparently convert data between the two ports without control codes or special commands. The Appendices cover the different converters available. The SCPI Subsystem commands are available

for any interface.

The SCPI command set is broken down into sub-systems as describe in the following Sections of this chapter. The syntax for data formats of the SCPI command set is defined in Section 4.3.13.

4.3.1 Source Subsystem

This subsystem programs the voltage set point, current set point, over voltage trip, over current trip, and period of the power supply.

4.3.1.1 VOLT and VOLT:TRIG

These commands set the immediate voltage level or the pending triggered voltage level of the power supply. The immediate level is the voltage programmed for the power supply output. The pending triggered level is a stored voltage value that is transferred to the power supply when a trigger occurs. A pending triggered level is unaffected by subsequent VOLT commands and remains in effect until the trigger subsystem receives a trigger or is aborted with an ABORt command. In order for VOLT:TRIG to be executed, the trigger subsystem must be initiated (see Initiate Subsystem).

VOLT? and VOLT:TRIG? return presently programmed immediate and triggered levels. If no triggered level is programmed, then the VOLT level is returned for both values. VOLT? MAX and VOLT? MIN return the maximum and minimum programmable immediate voltage levels. VOLT:TRIG? MAX and VOLT:TRIG? MIN return the maximum and minimum programmable triggered voltage levels.

Command Syntax: [SOURce]:VOLTage[:LEVel][:IMMediate][:AMPLitude] <NRf+>
[SOURce]:VOLTage[:LEVel]:TRIGgered[:AMPLitude] <NRf+>

Examples: VOLT 200
VOLTAGE:LEVEL 200
VOLTAGE:LEVEL:IMMEDIATE:AMPLITUDE 2.5
VOLT:TRIG MAX
VOLTAGE:LEVEL:TRIGGERED 20

Query Syntax: [SOURce]:VOLTage[:LEVel][:IMMediate][:AMPLitude]?
[SOURce]:VOLTage[:LEVel][:IMMediate][:AMPLitude]? MAX
[SOURce]:VOLTage[:LEVel][:IMMediate][:AMPLitude]? MIN
[SOURce]:VOLTage[:LEVel]:TRIGgered[:AMPLitude]?
[SOURce]:VOLTage[:LEVel]:TRIGgered[:AMPLitude]? MAX
[SOURce]:VOLTage[:LEVel]:TRIGgered[:AMPLitude]? MIN

Returned Parameter: <NR2>

Related Commands (for VOLT): *SAV, *RCL, *RST
Related Commands (for VOLT:TRIG): ABOR, VOLT, *RST

4.3.1.2 VOLT:PROT

This command sets the over voltage trip (OVT) level of the power supply. If the output voltage exceeds the OVT level, then the power supply output is disabled and the Questionable Condition status register OV bit is set (see Table 4.2). An over voltage trip condition can be cleared with the OUTP:PROT:CLE command after the condition that caused the OVT trip is removed.

VOLT:PROT? returns presently programmed OVT level. VOLT:PROT? MAX and VOLT:PROT? MIN return the maximum and minimum programmable OVT levels.

Command Syntax: [SOURce]:VOLTage:PROTection[:LEVel] <NRf+>

Examples: VOLT:PROT 21.5
VOLTAGE:PROTECTION:LEVEL 145E-1

Query Syntax: [SOURce]:VOLTage:PROTection[:LEVel]?
[SOURce]:VOLTage:PROTection[:LEVel]? MIN
[SOURce]:VOLTage:PROTection[:LEVel]? MAX

Returned Parameter: <NR2>

Related Commands: OUTP:PROT:CLE, *RST, *SAV, *RCL

4.3.1.3 CURR and CURR:TRIG

These commands set the immediate current level or the pending triggered current level of the power supply. The immediate level is the current programmed for the power supply output. The pending triggered level is a stored current value that is transferred to the power supply output when a trigger occurs. A pending triggered level is unaffected by subsequent CURR commands and remains in effect until the trigger subsystem receives a trigger or is aborted with an ABORT command. In order for CURR:TRIG to be executed, the trigger subsystem must be initiated (see INITiate).

CURR? and CURR:TRIG? return presently programmed immediate and triggered levels. If no triggered level is programmed, then the CURR level is returned for both values. CURR? MAX and CURR? MIN return the maximum and minimum programmable immediate current levels. CURR:TRIG? MAX and CURR:TRIG? MIN return the maximum and minimum programmable triggered current levels.

Command Syntax: [SOURce]:CURRent[:LEVel] [:IMMediate][:AMPLitude] <NRf+>
[SOURce]:CURRent[:LEVel]:TRIGgered [:AMPLitude] <NRf+>

Examples: CURR 200
CURRENT:LEVEL MIN
CURRENT:LEVEL:IMMEDIATE:AMPLITUDE 2.5
CURR:TRIG 20

CURRENT:LEVEL:TRIGGERED 20

Query Syntax: [SOURce]:CURRent[:LEVel][:IMMediate][:AMPLitude]?
[SOURce]:CURRent[:LEVel] [:IMMediate][:AMPLitude]? MAX
[SOURce]:CURRent[:LEVel] [:IMMediate][:AMPLitude]? MIN
[SOURce]:CURRent[:LEVel]:TRIGgered [:AMPLitude]?
[SOURce]:CURRent[:LEVel]:TRIGgered [:AMPLitude]? MAX
[SOURce]:CURRent[:LEVel]:TRIGgered [:AMPLitude]? MIN

Returned Parameter: <NR2>

Related Commands (for CURR): *SAV, *RCL, *RST

Related Commands (for CURR:TRIG): ABOR, CURR, *RST

4.3.1.4 CURR:PROT

This command sets the over current trip (OCT) level of the power supply. If the output current exceeds the OCT level, then the power supply output is disabled and the Questionable Condition status register OC bit is set (see Table 4.2). An over current trip condition can be cleared with the OUTP:PROT:CLE command after the condition that caused the OCT trip is removed.

CURR:PROT? returns presently programmed OCT level. CURR:PROT? MAX and CURR:PROT? MIN return the maximum and minimum programmable OCP levels.

Command Syntax: [SOURce]:CURRent:PROTection[:LEVel] <NRf+>

Examples: CURR:PROT MAX
CURRENT:PROTECTION:LEVEL 145E-1

Query Syntax: [SOURce]:CURRent:PROTection[:LEVel]?
[SOURce]:CURRent:PROTection [:LEVel]? MIN
[SOURce]:CURRent:PROTection [:LEVel]? MAX

Returned Parameter: <NR2>

Related Commands: OUTP:PROT:CLE, *RST, *SAV, *RCL

4.3.1.5 PER

This command sets the period of time that the power supply will remain in the state during auto sequence operation. The minimum unit for the period command is 10 msec. There are 3 reserved numbers associated with this command, namely: 0, 9998 and 9999. When a 0 is detected in auto sequence operation, the power supply will stop as if a stop command condition (see OUTP:STOP) occurred. When a 9998 is detected, the following memory location will be zero. When 9999 is detected, the power supply will operate at that memory state indefinitely or until stop (see OUTP:STOP) is commanded. The period's duration can be overridden by the using the start command (see OUTP:START) to advance the memory to the next state or the stop command OUTP:STOP) to stop the power supply.

PER? returns the period at the current memory.

Command Syntax: [SOURCE]:PERiod <NRf+>

Examples: SOUR:PER 200
SOURCE:PERIOD 1345
SOUR:PER MAX

Query Syntax: [SOURCE]:PERiod? <>
[SOURCE]:PERiod? MIN
[SOURCE]:PERiod? MAX

Returned Parameters: <NR1>

Related Commands: *RST, OUTP:START, OUTP:STOP, OUTP:ARM

4.3.2 Measure Subsystem

The Measure Subsystem returns the voltage and current measured at the output of the power supply.

4.3.2.1 MEAS:VOLT?

Query Syntax: MEASure:VOLTage[:DC]? <>

Examples: MEAS:VOLT?
MEASURE:VOLTAGE:DC?

Returned Parameters: <NR2>

4.3.2.2 MEAS:CURR?

Query Syntax: MEASure:CURRent[:DC]? <>

Examples: MEAS:CURR?
MEASURE:CURRENT:DC?

Returned Parameters: <NR2>

4.3.3 System Subsystem

The System subsystem returns information about the state of the power supply.

4.3.3.1 SYST:VERS?

This query returns the firmware and hardware version of the power supply. The returned value has

the form Firmware Rev. X.X, Hardware Rev. X.X.

Query Syntax: SYSTem:VERSion? <>

Examples: SYST:VERS?
 SYSTEM:VERSION?

Returned Parameters: <Firmware Rev. X.X, Hardware Rev. X.X>

Related Commands: None

4.3.3.2 SYST:ERR?

The SYST:ERR? query returns the error messages that have occurred in the system. The format of the return string is an error number followed by a corresponding error message string. The errors are stored in a FIFO (first-in, first-out) buffer. As the errors are read, they are removed from the queue. When all errors have been read, the query returns 0, "NO ERROR." If more errors have accumulated than the queue can hold, the last error in the queue will be -350, "Queue Overflow" (see Table 4.8, Error Messages, for other error codes).

Query Syntax: SYSTem:ERRor? <>

Examples: SYST:ERR?
 SYSTEM:ERROR?

Returned Parameters: <error number>,<error string>

Related Commands: None

4.3.4 Status Subsystem

This subsystem programs the power supply status registers. The power supply has three groups of status registers: Operation, Questionable, and Standard Event. The Standard Event group is programmed with Standard Commands as described in Section 4.5, IEEE 488 Event Processing. The Operation and Questionable Condition registers monitor the power supply's operation and alarm status.

4.3.4.1 Operation Register

This query returns the value of the Operation Register which is a read-only register that holds the real-time (un-latched) condition of the operational status of the power supply. The bit configuration of the Operation Register is shown in Table 4.1.

Query Syntax: STATus:OPERation:CONDition? <>

Examples: STAT:OPER:COND?
 STATUS:OPERATION:CONDITION?

Returned Parameters: <NR1> (Register value)

Related Commands: None

Table 4.1 BIT CONFIGURATION OF THE OPERATION REGISTER

BIT	WEIGHT	ABBREVIATION	DESCRIPTION
0	1	ARM	Arm
1	2	SS	Soft Start
2	4	LOCK	Locked
3	8	INT	Internal Control
4	16	EXT	External Control
5	32	WTG	Interface is waiting for trigger
6	64	STBY	Standby
7	128	PWR	Power
8	256	CV	Constant Voltage
9	512	RSEN	Remote Sense
10	1024	CC	Constant Current
11	2048	STBY/ALM	Standby or Alarm
12-15		NU	

4.3.4.2 Questionable Register

This query returns the value of the Questionable Register. The Questionable Register is a read-only register that holds the real-time (un-latched) condition of the questionable status of the power supply. The bit configuration of the Questionable Register is shown in the Table 4.2.

Table 4.2 BIT CONFIGURATION OF QUESTIONABLE REGISTER

BIT	WEIGHT	ABBREVIATION	DESCRIPTION
0	1	OV	Over Voltage Tripped
1	2	OC	Over Current Tripped
2	4	PB	Phase Balance Protection Tripped
3	8	PGM	Program Line Protection Tripped
4	16	OT	Over Temperature Protection Tripped
5	32	FUSE	Fuse Protection Tripped
6	64	NU	Not used
7	128	ALM	Alarm Protection Tripped
8	256	ILOC	Interlock
9	512	REM	Remote
10-15		NU	Not used

Query Syntax: STATus:QUEStionable:CONDition? <>

Examples: STAT:QUES:COND?
 STATUS:QUESTIONABLE:CONDITION?

Returned Parameters: <NR1> (Register value)

Related Commands: None

4.3.5 Output Subsystem

This subsystem returns or controls the output state of the power supply.

4.3.5.1 OUTP?

This query returns the output state of the power supply. A 1 indicates the power supply is energized, and a 0 indicates the power supply is off.

Command Syntax: none

Query Syntax: OUTPut[:STATe]?

Returned Parameters: 0 | 1

Related Commands: *RST, *RCL, *SAV

4.3.5.2 OUTP:ARM

This command selects between the modes of operation. There are two modes of operation for the power supply: normal mode and auto sequence mode. Normal mode energizes the current parameters of the supply until stopped. Auto sequence mode sequentially steps through the memory updating the supply's parameters as it increments. Each memory location contains the voltage set point, current set point, over voltage trip, over current trip, and period. The period parameter specifies the time period for operating at the memory location when auto sequence operation is deployed. When enabled, the ARM light lights on the on the front panel.

To initiate a program sequence, select the starting memory location, execute this command, and issue an OUPt:START (see OUTP:START) or use the front panel start switch. The ARM light will blink after the start command. If this process reaches the upper memory limit, memory location 99, the following memory location will revert back to 0 and continue. Auto sequence operation will continue until an OUTP:STOP is commanded or a memory location with period set to 0 is encountered.

ARM? returns the arm state of the power supply.

Command Syntax: OUTP:ARM <bool>

Parameters: 0 | OFF | 1 | ON

Examples: OUTP:ARM OFF
OUTP:ARM 1

Query Syntax: OUTP:ARM?

Returned Parameters: 0 | 1

Related Commands: *RST, OUTP:START, OUTP:STOP

4.3.5.3 OUTP:START

This command closes the power supply's input contactor and initiates either normal or program mode. Auto sequence mode will be initiated if the ARM option is enabled. Normal mode energizes the power supply with the current parameters for voltage set point, current set point, over voltage trip, and over current trip.. Auto sequence mode will sequentially step through memory locations until the stop is commanded, OUTP:STOP, or a terminating condition is reached (see PER, OUTP:STOP).

Command Syntax: OUTPut:START <>

Examples: OUTP:START
OUTPUT:START

Query Syntax: none

Related Commands: *RST, OUTP:STOP, OUTP:ARM, PER

4.3.5.4 OUTP:STOP

This command opens the power supply's input contactor and terminates operation in either normal mode or auto sequence mode.

Command Syntax: OUTPut:STOP <>

Examples: OUTP:STOP
OUTPUT:STOP

Query Syntax: none

Related Commands: *RST, OUTP:START, OUTP:ARM, PER

4.3.5.5 OUTPut:PROTection:CLEar

This command clears the alarm latches. There are seven alarm latches, namely: interlock, program

line, phase balance, thermal, over voltage trip, over current trip, and fuse. When a fault is detected, the power supply is rendered to an alarm state. The power supply cannot be restarted until the protection condition is cleared and the latch is reset.

Command Syntax: OUTPut:PROTection:CLEar <>

Examples: OUTP:PROT:CLE
 OUTPUT:PROTECTION:CLEAR

Query Syntax: none

Related Commands: *RST, *RCL, *SAV

4.3.6 Abort Subsystem

This subsystem cancels any trigger actions presently in process. Any pending trigger levels are reset to their immediate values. ABOR also resets the WTG bit in the Operation Register. If initiate continuous is enabled (INIT:CONT ON), the trigger subsystem immediately re-initiates itself after ABORt, thereby setting WTG. ABOR is executed at power turn on and upon execution of *RCL or *RST.

Command Syntax: ABORt <>

Examples: ABOR

Query Syntax: None

Related Commands: INIT, TRIG, *RCL, *RST

4.3.7 Trigger Subsystem

This subsystem controls remote triggering of the power supply. When the trigger subsystem is enabled, a TRIG command generates a trigger signal. The trigger signal will then initiate a pending level change as specified by CURR[:LEV]:TRIG or VOLT[:LEV]:TRIG. Afterwards, the Operation Register will be cleared. If INIT:CONT is on, the trigger subsystem is immediately re-enabled for subsequent triggers. As soon as it is cleared, the WTG bit is again set to 1.

Command Syntax: TRIGger[:IMMediate] <>

Examples: TRIG
 TRIGGER:IMMEDIATE

Query Syntax: None

Related Commands: ABOR, CURR:TRIG, INIT, *TRG, VOLT:TRIG

4.3.8 Initiate Subsystem

This subsystem enables the trigger system. When the initiate subsystem is enabled, a TRIG command allows specified triggering action to occur. If the initiate subsystem is not enabled, all trigger commands are ignored. If INIT:CONT is OFF, then INIT enables the trigger subsystem only for a single trigger action; INIT must then be repeated prior to further trigger commands. If INIT:CONT is ON, then the trigger subsystem is continuously enabled.

INIT:CONT? returns the state of the continuous trigger mode.

Command Syntax: INITiate[:IMMediate] <>
 INITiate:CONTinuous <bool>

Parameters (for INIT[:IMM]): None
Parameters (for INIT:CONT): 0 | 1 | OFF | ON

Examples INIT
 INITIATE:IMMEDIATE
 INIT:CONT 1
 INITIATE:CONTINUOUS OFF

Query Syntax (for INIT[:IMM]): None
Query Syntax (for INIT:CONT): INIT:CONT?

Returned Parameters: 0 | 1

Related Commands: ABOR, *RST, TRIG

4.3.9 Calibrate Subsystem

The Calibrate Subsystem calibrates the power supply.

4.3.9.1 CAL:IDN

This command updates the power supply's identification string for the power supply model. The CAL:IDN string can have up to 100 characters.

Command Syntax: CALibrate:IDN <string>
Parameters: Company Name, Power Supply Model, S/N (string format)

where: Company Name = "American Reliance, Inc.,"
 Power Supply Model = PS Type+PSVolts+"-"+PSAmps +",," (The Power Supply type can be PQA, SPS, SQA, SQD, MQA, MQD, MTA, or MTD)
 S/N = "S/N: xxx-yyyy"

Examples: For a SPS supply rated at 500VDC and 20 ADC
cal:ldn American Reliance, Inc., SPS500-20, S/N: 108-0361

Query Syntax: CAL:IDN?

Returned Parameters: <string>

Related Commands: *IDN

4.3.9.2 CAL:PASS

This command protects against system calibration corruption and initiates the calibration sequence.

Command Syntax: CAL:PASS <NR1>

Examples: CALIBRATE:PASSWORD 1234
CAL:PASS 1234

Query Syntax: None

Related Commands: None

4.3.9.3 CAL:POT

This command sets the value for the specified potentiometer. The variable specifies the potentiometer to be adjusted, 1 thru 5, and the second variable specifies the potentiometer setting, 0 thru 255.

Command Syntax: CALibrate:POT <NR1>,<NR1>

Examples: CAIBRATE:POT 1,123
CAL:POT 5,11

Query Syntax: CALibrate:POT? <NR1>

Returned Parameters: <NR1>

Related Commands: None

4.3.9.4 CAL:SCAL:VOLT

This command sets the voltage scale factor for the power supply.

Command Syntax: CALibrate:SCALe:VOLTage <NRf>

Examples: CALIBRATE:SCALE:VOLTAGE 1.67
CAL:SCAL:VOLT 32.0

Query Syntax: CALibrate:SCALE:VOLTage? <>

Returned Parameters: <NR3>

Related Commands: None

4.3.9.5 CAL:SCAL:CURR

This command sets the current scale factor for the power supply.

Command Syntax: CALibrate:SCALE:CURRent <NRf>

Examples: CALIBRATE:SCALE:CURRENT 1.67
CAL:SCAL:CURR 32.0

Query Syntax: CALibrate:SCALE:CURRent? <>

Returned Parameters: <NR3>

Related Commands: None

4.3.9.6 CAL:DEF

This command sets the calibration potentiometers to the factory defaults.

Command Syntax: CALibrate:DEFaults <>

Examples: CALibrate:DEFaults
CAL:DEF

Query Syntax: None

Related Commands: None

4.3.9.7 CAL:STOP

This command terminates the calibration subsystem.

Command Syntax: CALibrate:STOP <>

Examples: CALibrate:STOP
CAL:STOP

Query Syntax: None

Related Commands: None

4.3.10 Configure Subsystem

The Configure Subsystem sets and returns the configuration of the power supply.

4.3.10.1 REM:SENS

This command sets voltage sensing to remote or local mode. Remote sensing, as described in Section 3.3, improves the degradation of regulation which will occur at the load when the voltage drop in the connecting wires is appreciable. The local sense mode monitors the voltage at the output terminals of the power the supply.

The query command, REM:SENS?, returns the state of the sense lines.

Command Syntax: [CONFigure]:REMote:SENSe <bool>

Parameters: 0 | OFF | 1 | ON

Examples: CONF:REM:SENS ON
REMOTE:SENSE 0

Query Syntax: [CONFigure]:REMote:SENSe?

Returned Parameters: 0 | 1

Related Commands: None

4.3.10.2 CONT:INT

This command enables or disables the front panel switches and keys for start, stop, arm, and clear.

The query command, CONT:INT?, returns the status of internal control.

Command Syntax: [CONFigure]:CONTrol:INTernal <bool>

Parameters: 0 | OFF | 1 | ON

Examples: CONF:CONT:INT ON
CONT:INT 0

Query Syntax: [CONFigure]:CONTrol:INTernal?

Returned Parameters: 0 | 1

Related Commands: None

4.3.10.3 CONT:EXT

This command enables or disables the external inputs for start, stop, arm, and clear.

The query command, CONT:EXT?, returns the status of external control.

Command Syntax: [CONFigure]:CONTRol:EXTernal <bool>

Parameters: 0 | OFF | 1 | ON

Examples: CONF:CONT:EXT ON

CONT:EXT 0

Query Syntax: [CONFigure]:CONTRol:EXTernal?

Returned Parameters: 0 | 1

Related Commands: None

4.3.10.4 INTE

This command enables or disables the external interlock feature. Interlock, described in Section 3.6, is used for applications where the power supply needs to be disabled under external conditions.

The query command, INTE? returns the status of external interlock.

Command Syntax: [CONFigure]:INTERlock <bool>

Parameters: 0 | OFF | 1 | ON

Examples: CONF:INTE ON

INTE 0

Query Syntax: [CONFigure]:INTERlock?

Returned Parameters: 0 | 1

Related Commands: None

4.3.11 Recall Subsystem

The recall subsystem sets the current memory location of the power supply. In remote mode, 100 (0 - 99) memory locations are available for programming. In local mode, the 10 (0 - 9) memory locations are available for programming.

The query command, MEM?, returns the current memory location.

Command Syntax: [RECall]:MEMory <NR1>

Examples: REC:MEM 10
MEM 99

Query Syntax: RECall:MEMory?

Returned Parameters: <NR1>

Related Commands: *RCL, *SAV

4.3.12 Modulation Subsystem

The Modulation Subsystem modulates the output voltage or current with external input VMOD.

4.3.12.1 MODulation:TYPE:SElect

This command sets the voltage or current control input to modulate with an external analog signal and sets the method of modulation. The first parameter defines the control input: 0 disables modulation, 1 sets voltage control modulation, and 2 sets current control modulation. The second parameter defines type 0 or type 1 modulation: type 0 modulation uses multiplication and type 1 modulation uses addition. Assignment of the modulation type is optional; type 0 modulation is the default value. With voltage control modulation enabled, type 0 and type 1 modulation are described by:

$$V_{ref} = V_{set} \cdot \text{Mod}(\text{VMOD})$$

$$V_{ref} = V_{set} + V_{os}(\text{VMOD})$$

where

Mod(VMOD): the modulation multiplier as a function of the VMOD input

Vos(VMOD): the offset voltage as a function of the VMOD input

Vset: set point voltage as defined by keypad entry or remote entry.

With current control modulation enabled, type 0 and type 1 modulation are described by:

$$I_{ref} = I_{set} \cdot \text{Mod}(\text{VMOD})$$

$$I_{ref} = I_{set} + I_{os}(\text{VMOD})$$

where

Ios(VMOD): the offset current as a function of the VMOD input
Iset: set point current as defined by keypad entry or remote entry.

The choice of using type 0 or type 1 modulation depends on the application. Rotary mode control or external program mode cannot be used with this command. Only one set point can be modulated at any given time.

Command Syntax: MODulation:TYPE:SElect <NR1>[,<NR1>]

Examples: MOD:TYPE:SEL 1,0
MOD:TYPE:SEL 2,1
MODulation:TYPE:SElect 0

Query Syntax: MODulation:TYPE:SElect?

Returned Parameters: <control input>,<modulation type>

Related Commands: None

4.3.12.2 MODulation:TABLE

This command specifies the modulation parameters used with MODulation:TYPE:SElect command. The MODulation:TABLE defines a lookup table consisting of 3 columns and a maximum of 20 rows. The 3 columns specify the row, voltage input (VMOD), and multiplication/addition factor. VMOD, which is applied externally to pin 25 of JS1, is the reference variable for the lookup table and can be set within the range of 0 to 2.0 V. With type 0 modulation defined, see Section 4.3.12.1, the multiplication/addition factor can have a range of 0 to 1000. With type 1 modulation defined, the multiplication/addition factor can have a range of -2.0 to 2.0. The lookup table enables a user to define a piece-wise linear curve. The versatility of programming with two modulation types and specifying piece-wise linear functions enable the power supply to emulate various sources as well as respond to non-linear sensors.

The table elements must be entered in ascending order. For tables less than 20 rows, enter 9999 for identifying the terminating row; any number can be used for the multiplication/addition factor. The query returns the elements in the table at the specified location.

Command Syntax: MOD:TABL <NR1>(<NRf>,<NRf>)

Examples: MOD:TABL 12(0.13, 1.6)
MODulation:TABLE 20(2.0, 15.002)
MOD:TABL 13(1.5, -1.29)
MOD:TABL 14(9999, 0)

Query Syntax: MOD:TABL? <NR1>

Returned Parameters: <row>(<VMOD>,<multiplication/addition factor>)

Related Commands: None

4.3.13 SCPI Data Formats

All data programmed to or returned from the power supply are formatted in ASCII. The data may be structured as numerical or character string as described in Table 4.3.

Table 4.3 SCPI DATA FORMATS

FORMAT	DESCRIPTON	EXAMPLES
<>	Null, no data.	
<NR1>	Digits with an implied decimal point assumed at the right of the least-significant digit.	-273 0273
<NR2>	Digits with an explicit decimal point.	273. .0273
<NR3>	Digits with an explicit decimal point and an exponent	2.73E+2 273.0E-2
<NRf>	Extended format that includes <NR1>, <NR2> and <NR3>.	273 -273.0 2.73E2
<NRf+>	Expanded decimal format that includes <NRf>, MIN, and MAX	273 -273 2.73E2 MIN MAX

4.4 IEEE-488 Event Processing

All of the SCPI subsystem commands in the previous section can be initiated using RS232 communications or with an optional IEEE-488 to RS232 converter, Ethernet to RS232 converter, or other communications converter.

The IEEE-488 standard defines a method for status reporting. As illustrated in figure 4.1, the method uses the IEEE-488.1 Status Byte (STB). Three bits of this byte are defined as: Master Status Summary (MSS) Bit, Event Status Bit (ESB), and Message Available (MAV) Bit.

The Master Status Summary (MSS) is an unlatched bit. When the Status Byte Register is read using a Status Byte Register query (discussed in Section 4.5.4), bit 6 will be 1 if there are any conditions requiring service.

The STB is masked by the Service Request Enable Register (SRE) to allow the user to mask specific or all events from setting the MSS bit to 1. The MSS bit is obtained by logical OR'ing the bits of the enabled Status Byte Register.

The Event Status Bit (ESB) is set when one of the events defined in the Event Status Register (ESR)

(see Table 4.4) has occurred. As shown in figure 4.2 and like the STB, the ESR is masked by the Event Status Enable Register (ESE) to allow the user to mask specific or all events from setting the ESB to 1.

The Message Available (MAV) bit is set to 1 when a message is available in the output buffer.

4.5 IEEE-488 Standard Commands

The following sections describe the IEEE-488 Standard Commands.

4.5.1 Clear

This command clears all status register (ESR, STB and error queue).

Command Syntax: *CLS <>

Query Syntax: none

Returned Parameters: none

Related Commands: *RST

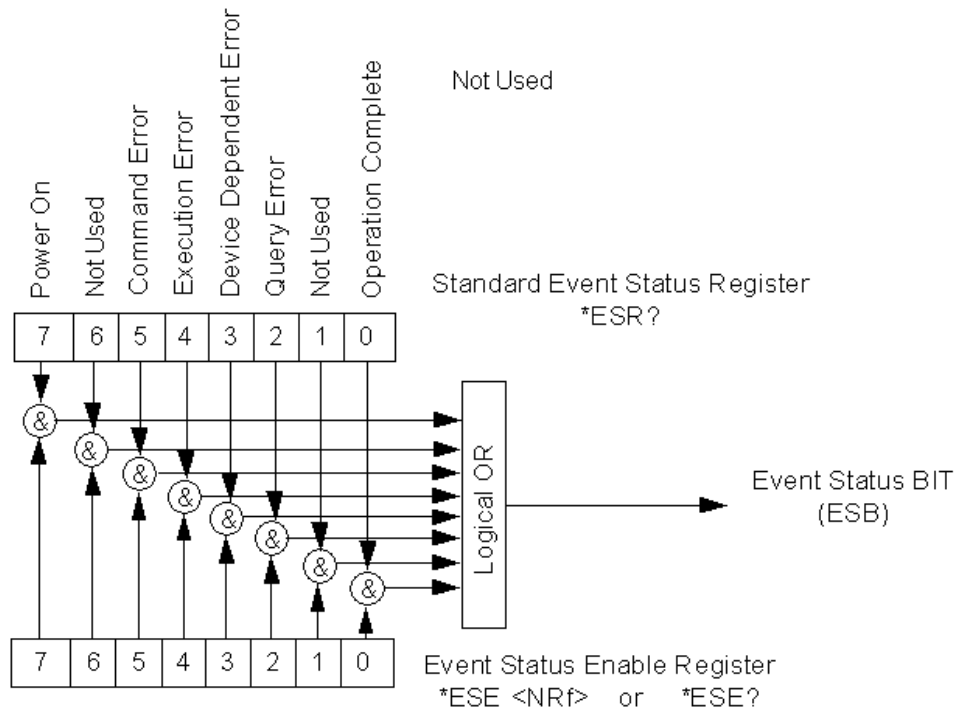


Figure 4.1 Status Byte Generation

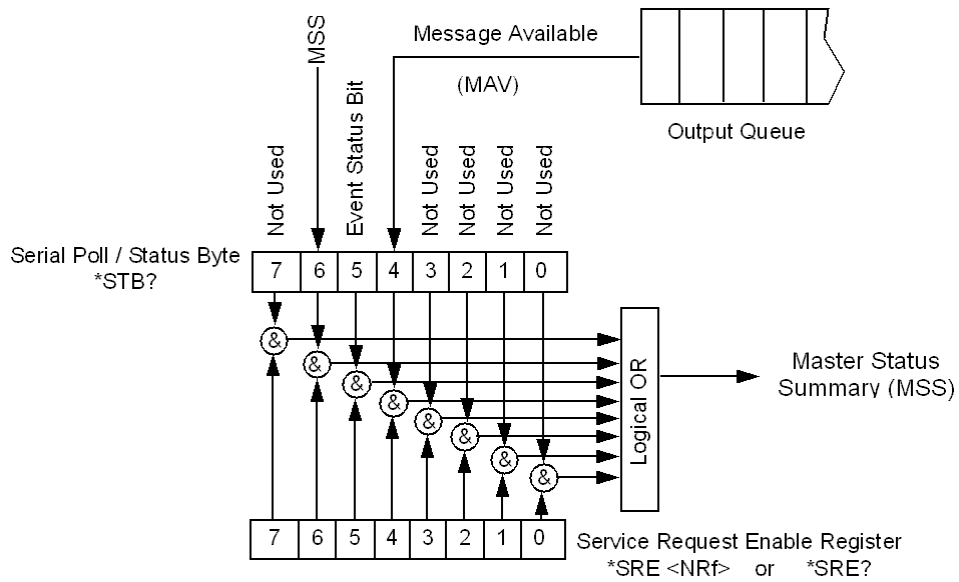


Figure 4.2 ESE and ESR Generation

4.5.2 Read Event Status Register

This query reads the Event Status Register (ESR). After reading the ESR, the register is cleared. The bit configuration of the ESR is the same as the Event Status Enable Register (*ESE). The return parameter is weighted as shown in Table 4.4.

The Power On Bit (PON) is set every time the power supply is reset. It can be used to detect a power outage or power supply reset.

Query Syntax: *ESR?

Example: *ESR?

Return Parameter: <NR1> (Register value)

Related Commands: *CLS, *ESE, *ESE?

Table 4.4 EVENT STATUS REGISTER

BIT POS.	WEIGHT	ABBREVIATION	DESCRIPTION
0	1	OPC	Operation Complete
1	2	NU	Not Used
2	4	QYE	Query Error
3	8	DDE	Device Dependent Error
4	16	EXE	Execution Error
5	32	CME	Command Error
6	64	NU	Not Used
7	128	PON	Power On Event, 1 after power on

4.5.3 Read and Set Event Status Enable Register

This command programs the Event Status Enable Register (ESE). The programming determines which events of the Event Status Register (ESR) set the Event Status Bit (ESB) of the Status Byte Register (STB). A "1" in the bit position enables the corresponding event. All of the enabled events of the ESE are logically OR'd to cause the ESB of the STB to be set.

Command Syntax: *ESE <NR1>

Example: *ESE 255

Query Syntax: *ESE?

Return Parameter: <NR1>

Related Commands: *ESR?, *STB?

4.5.4 Read Status Byte Register

This query reads the Status Byte Register (STB), defined in Table 4.5, which contains the Master Status Summary (MSS) bit, Event Status (ESB) bit, and the Message Available (MAV) bit. Unlike reading ESR, the STB is not cleared after it is read. The MAV bit is cleared at power on or by *CLS.

Query Syntax: *STB?

Example: *STB?

Return Parameter: <NR1> (Register value)

Related Commands: *ESR?, *ESE

Table 4.5 STATUS BYTE REGISTER

BIT POS.	WEIGHT	ABBREVIATION	DESCRIPTION
0	1	NU	Not Used
1	2	NU	Not Used
2	4	NU	Not Used
3	8	NU	Not Used
4	16	MAV	Message Available
5	32	ESB	Event Status Bit
6	64	MSS	Master Summary
7	128	NU	Not Used

4.5.5 Read and Set Service Request Enable Register

This command sets the Service Request Enable Register (SRE). This register, defined in Table 4.6, determines which bits from the Status Byte Register (see *STB for its bit configuration) are allowed to set the Master Status Summary (MSS) Bit. A 1 in any SRE bit position enables the corresponding Status Byte Register bit. All Status Byte Register enabled bits are then logically OR'd and placed in bit 6 of the Status Byte Register. When *SRE is cleared (by programming it with 0), the power supply cannot generate a service request to the controller.

Command Syntax: *SRE <NR1>

Example: *SRE 20

Query Syntax: *SRE?

Return Parameter: <NR1> (Register value)

Related Commands: *ESE, *ESR

Table 4.6 SERVICE REQUEST ENABLE REGISTER

BIT POS.	WEIGHT	ABBREVIATION	DESCRIPTION
0	1	NU	Not Used
1	2	NU	Not Used
2	4	NU	Not Used
3	8	NU	Not Used
4	16	MAV	Message Available
5	32	ESB	Event Status Bit
6	64	NU	Not Used
7	128	NU	Not Used

4.5.6 Read Model Number, Part Number, and Serial Number

This query requests the power supply to identify itself. It returns a string composed of three fields separated by commas.

Query Syntax: *IDN?

Returned Parameters: Company Name, Power Supply Model, S/N (string format)

Example: American Reliance, Inc., SPS500-20, S/N: 108-0361

Related Commands: CALibrate:IDN (Refer to Section 4.3.9.1, Calibrate Subsystem, for information on configuring the SPS Series power supply.)

4.5.7 Save

This command stores the present state of the power supply at the specified location in memory. Data can be saved in 100 memory locations. The following power supply parameters are stored by *SAV:

```
VOLT[:LEV][:IMM]
CURR[:LEV][:IMM]
VOLT:PROT[:LEV]
CURR:PROT[:LEV]
PER
```

Command Syntax: *SAV <NR1>

Parameters: 0 - 99

Example: *SAV 1

Query Syntax: None

Related Commands; *RCL, MEM

4.5.8 Recall

This command restores the power supply to a state that was previously stored in memory location with a *SAV command. The *RCL command can recall data in 100 memory locations. The following parameters are recalled:

```
VOLT[:LEV][:IMM]
CURR[:LEV][:IMM]
VOLT:PROT[:LEV]
CURR:PROT[:LEV]
PER
```

The *RCL command forces an ABORt command before resetting any parameters. ABOR cancels any trigger actions presently in progress and sets INIT:CONT to OFF.

At power turn-on, recall is commanded at the memory location prior to turn-off state.

Command Syntax: *RCL <NR1>

Parameters: 0 - 99

Example: *RCL 1

Query Syntax: None

Related Commands; *RST, *SAV

4.5.9 Reset

This command resets the power supply to factory default states as defined below.

```
OUTP[:STAT] OFF
CURR[:LEV][:IMM] 0
CURR[:LEV]:TRIG 0
VOLT[:LEV][:IMM] 0
VOLT[:LEV]:TRIG 0
PER 0
INIT:CONT OFF
VOLT:PROT[:LEV] 110% of MAX
CURR:PROT[:LEV] 110% of MAX
```

*RST also forces an ABORt command.

Command Syntax: *RST <>

Query Syntax: None

Related Commands: None

4.6 Error Messages

System error messages are obtained with the SYST:ERR? query. The error number is the value placed in the error queue. SYST:ERR? returns the error number and error message combined in a string. When system errors occur, the Standard Event Status Register (ESR), records the error groups as defined in Table 4.7. Table 4.8 lists system errors that are associated with SCPI syntax errors and with interface problems.

Table 4.7 STANDARD EVENT STATUS REGISTER ERROR BITS

BIT	ERROR CODE	ERROR TYPE
5	100 through -199	Command
4	200 through -299	Execution
3	300 through -399	Device dependent
2	400 through -499	Query

Table 4.8 ERROR MESSAGES

ERROR	ERROR STRING	DESCRIPTION
-100	Command error	generic command error
-102	Syntax error	unrecognized command or data type
-108	Parameter not allowed	too many parameters
-222	Data out of range	e.g., outside the range of this device
-350	Queue overflow	errors lost due to too many errors in queue
-400	Query error	generic query error

5.0 INTERFACING USING THE REMOTE INTERFACE SOFTWARE

The Remote Interface Software is shipped with SPS Series power supplies. The software provides the user with a quick method to operate a American Reliance' power supply under computer control. The Remote Interface Software has five windows: the Virtual Control Panel, Command Panel, Register Panel, Calibration Panel, and Firmware Panel. The Virtual Control Panel emulates the front panel of the SPS Series power supply, the Command panel programs and reads SCPI commands with user friendly buttons, the Register Panel programs and reads registers, and the Calibration Panel enables calibration of the digital potentiometers, and the Firmware Panel enables the program stored internal to the power supply to be upgraded.

5.1 Application Setup

The power supply needs to be configured for remote operation to operate the Remote Interface Software. Configuration must be done using the front panel as described in Section 3.1.2. With the power supply set to remote, the user must select the following:

1. Power supply series: PQA/SQA/MQA/MTA or SPS/SQD/MQD/MTD,
2. Communications interface: RS232, RS485, GPIB (IEEE-488), TCP/IP (Ethernet), Simulated, or others depending on future developments.

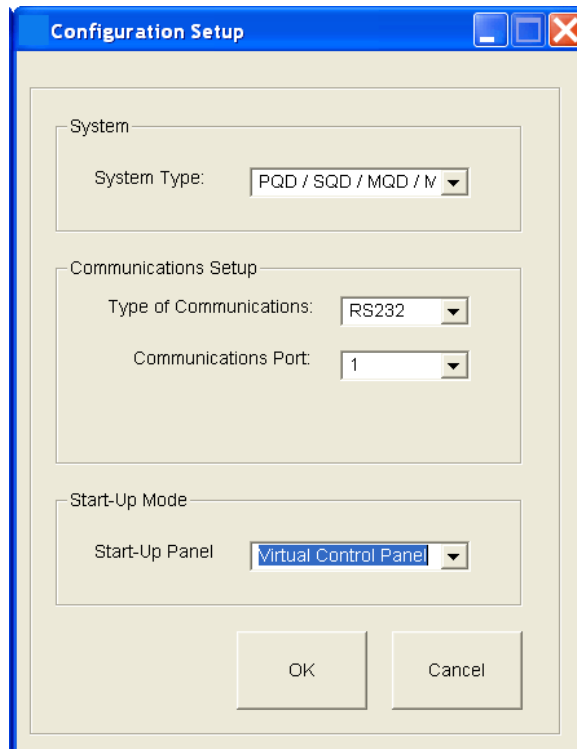


Figure 5.1 Application Setup

For RS232 communications, the communication port must be specified. For IEEE-488 communications, the address, 1 through 30, must be set and that address must be the same as that set on the optional protocol converter. For Ethernet communications, the address and port must be specified. Figure 5.1 displays the Applications Setup Window.

5.2 Virtual Control Panel

Figure 5.2 illustrates the Virtual Control Panel. The Virtual Control Panel emulates front panel commands. To make keypad entries, type the entry using the computer keyboard and press enter at the bottom right side of the window. Other than the keypad, operation is virtually identical to the front panel commands described in Section 3.1.

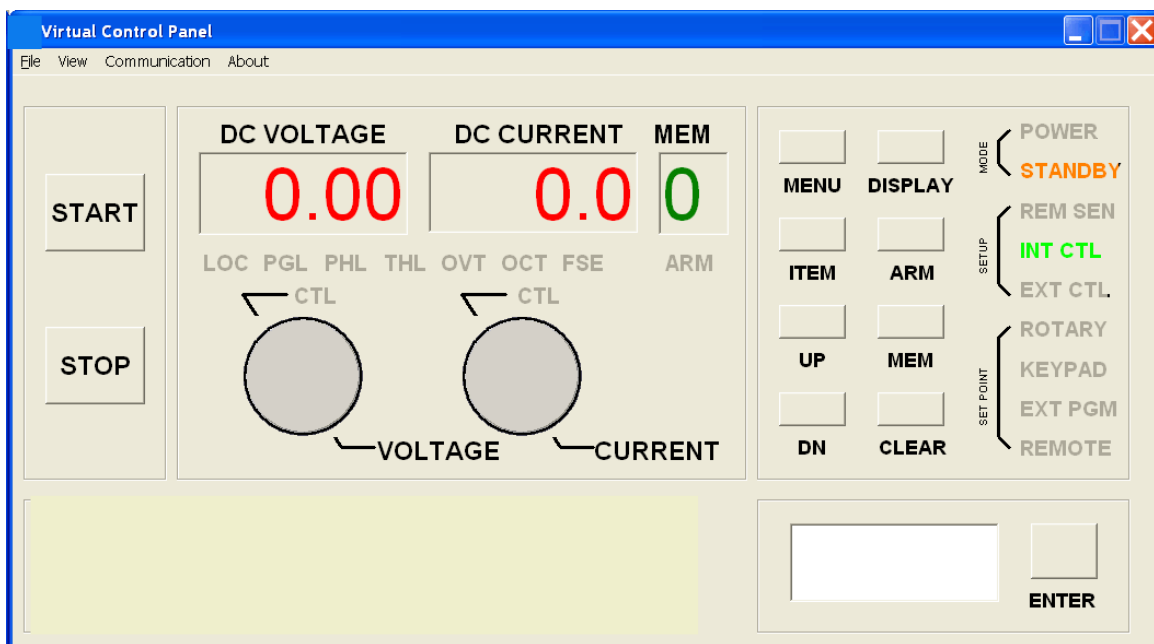


Figure 5.2 Virtual Control Panel

5.3 Command Panel

The Command Panel is illustrated in figure 5.3. The Command Panel is organized into three groups: commands and queries requiring data input, commands with only command syntax, and commands with only query syntax. The Output frame on the right of the window echos the SCPI command used

to communicate with the power supply. This feature provides the user with the proper syntax for each command. The Output frame can be cleared or saved to a file by pressing the clear button or save to file button. Commands in gray are not accessible with the particular configuration.

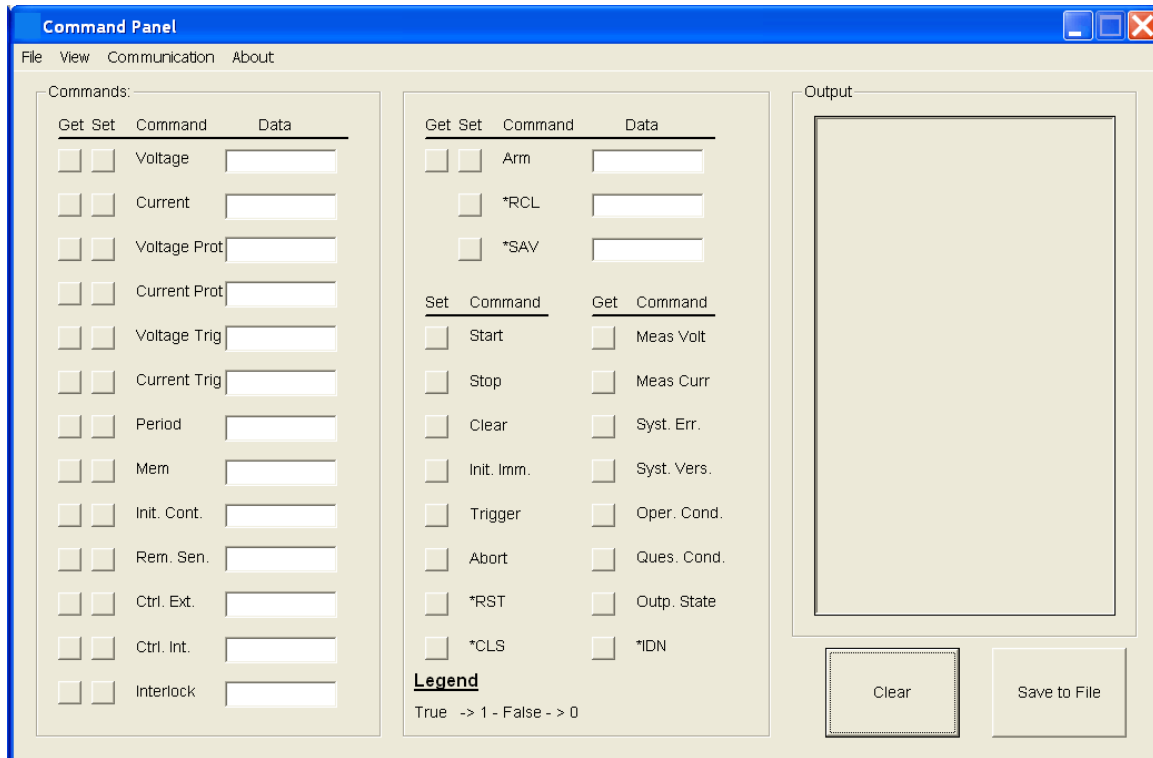


Figure 5.3 Command Panel

5.4 Register Panel

The Register Panel is illustrated in figure 5.4. The Register Panel graphically represents the six internal registers of the power supply. Register functions, as covered in the previous Chapter, are briefly summarized below:

1. Operation register (oper): indicates the power supply's current operational state. The register is unlatched and is described in Section 4.3.4.1
2. Questionable register (ques): indicates the current state of power supply alarms. The register is unlatched and is described in Section 4.3.4.2.
3. Status Byte register (STB) – indicates communications error messages. The register is latched and is described in Section 4.5.4.

4. Service Request Enable register (SRE): a mask register for the STB. The register is described in Section 4.5.5.
5. Standard Event Status register (ESR): a latched register which is similar to STB except it provides more details. The register is described in Section 4.5.2.
6. Event Status Enable register (ESE): mask register for the ESR. The register is described in Section 4.5.3.

As illustrated in the Register panel, each column denotes a register value, and the rows, marked by the leftmost column, are the bit positions. The get button at the column heading will acquire the respective register value for the power supply. The labels in each column indicate the meaning of each bit. For example, bit 5 in the Ques column will light if fuse alarm is activated. The mask registers, SRE and ESE, can be modified via the set button in their column heading. Enter the value in the “Enter Value in Selected Format” frame, then press the set button. If no errors occur, the new value will appear after the get button is pressed. The Results frame displays the returned register value in decimal, hex and binary formats. The “Enter Value in Selected Format” frame allows the user to specify the format for data entry.

The Output frame shows all communications with the power supply. The Output frame can be cleared or saved to a file by pressing the clear button or save to file button.

5.5 Calibration Panel

The Calibration Panel, illustrated in figure 5.5, provides easy access and programmability for the digital potentiometers. The Calibration Panel is password protected. To enable changes, enter 1234 for the password and then press the adjacent set button. The five digital potentiometers can accept numbers from 0 to 255. Further commands include setting the potentiometer to the factory default setting and end calibration procedure. The Output frame shows all communications with the power supply. The Output frame can be cleared or saved to a file by pressing the clear button or save to file button.

Voltage Scale and Current Scale are not available to the user. These are factory specific commands that require an alternate password to access.

5.6 Firmware Panel

The Firmware Panel is illustrated in figure 5.6. The Firmware Panel enables the program stored internal to the power supply to be upgraded. The factory recommends that firmware upgrades be performed only if there is an operational problem with the power supply.

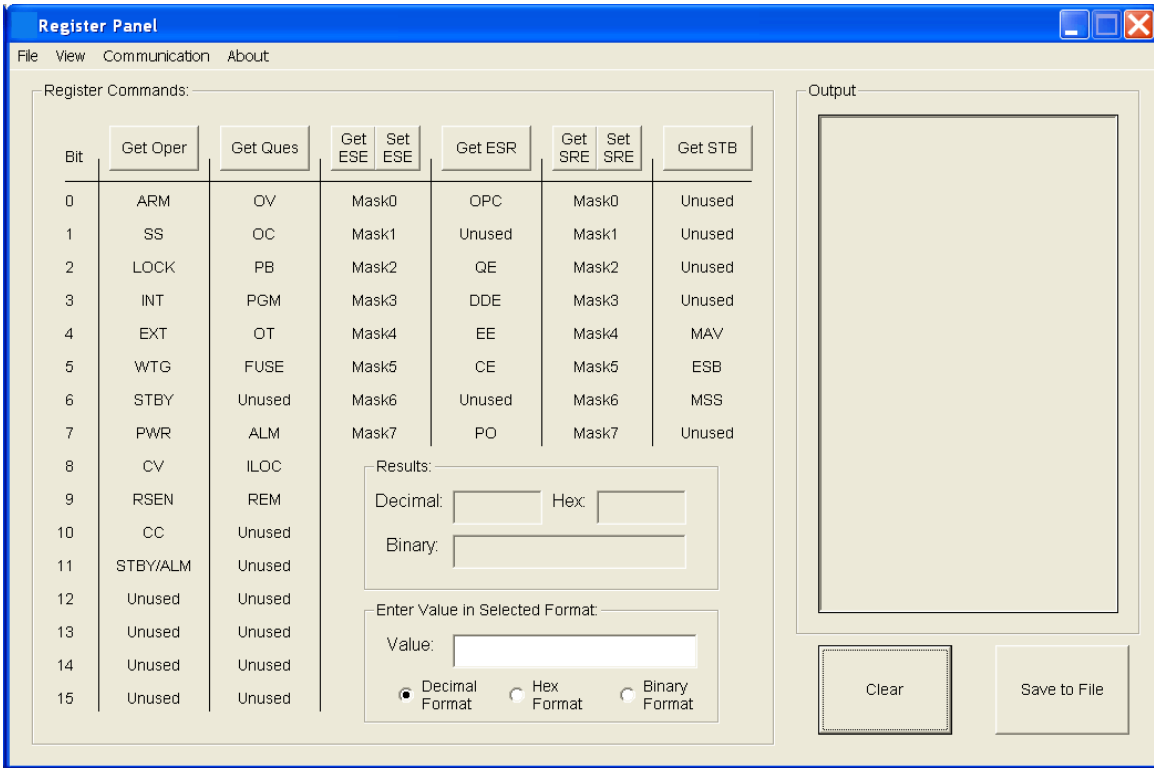


Figure 5.4 Register Panel

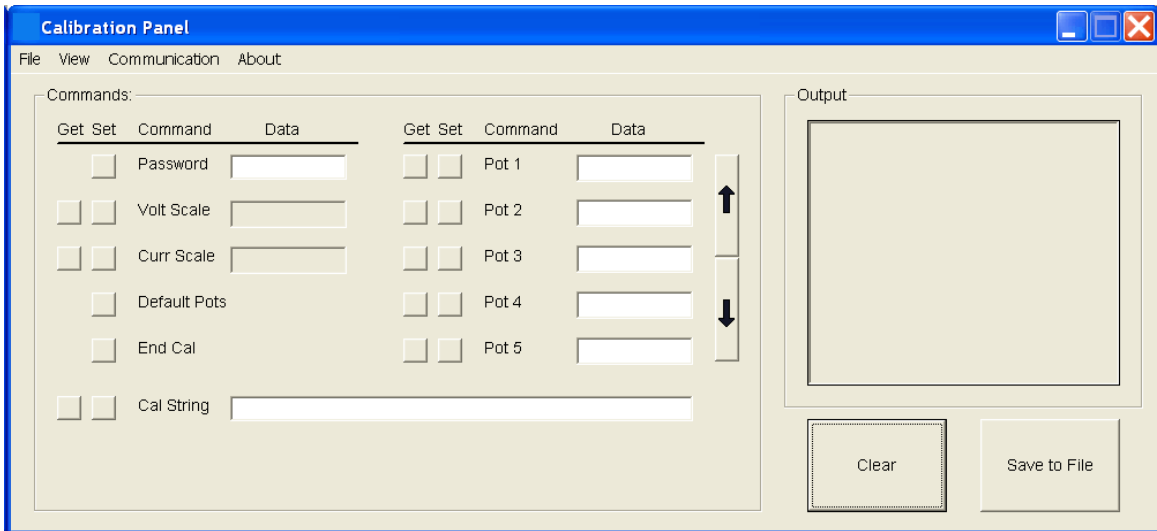


Figure 5.5 Calibration Panel

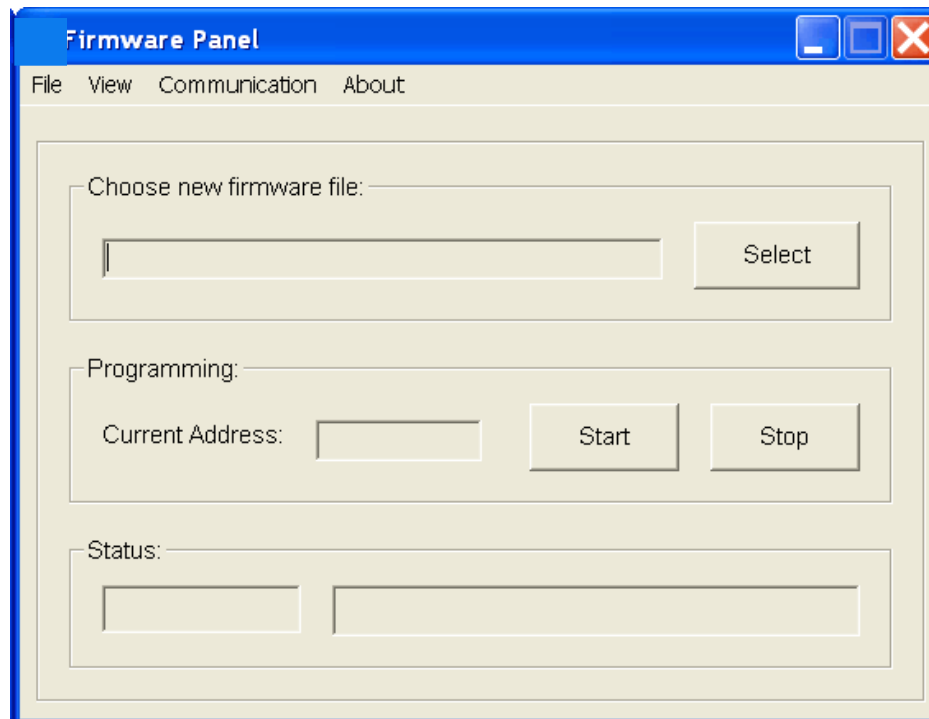


Figure 5.6 Firmware Panel

The following steps list the procedure for upgrading the firmware:

1. Turn the power supply off.
2. Connect a RS232 cable between a serial port on a computer and connector JS3 on the power supply.
3. Press the select button and choose the file to be loaded.
4. Press the start button. The Status frame will display “Initiating.”
5. Turn on the power supply. If the supply is not turned on within 10 seconds, “Time Out” will be displayed in the Status frame indicating communications is lost.

During the process of upgrading the firmware, the front panel of the power supply will remain blank. After communications is established, the Status frame will initially display “Erasing” and the Current Address frame will display the address in memory being erased. After the entire memory is erased, the Status frame will display “Loading ” and the Current Address frame will display the address in memory being loaded. The Status frame will display “Finished” and the front panel display will return to normal after the memory is reprogrammed..

Pressing the stop button will terminate execution at any time.

5.7 Modulation Panel

The Modulation Panel is illustrated in figure 5.7. The Modulation Panel enables a user to set and view the modulation settings as described in section 4.3.12. The modulation settings consist of control input, modulation type (multiplication or addition), table row, modulation voltage input, and modulation factor. The Modulation Panel provides the form to program a linear or piece-wise linear lookup table for the selected modulation type. The lookup table can have a maximum of 20 data points. The modulation voltage input, VMOD, must be entered in ascending order. For lookup tables with less than 20 data points, VMOD must be terminated with 9999. Any data entered for modulation factor on the terminating row is ignored. The Output frame on the right of the window displays all of the communications with the power supply. The Output frame can be cleared or saved to a file by pressing the clear button or save to file button.

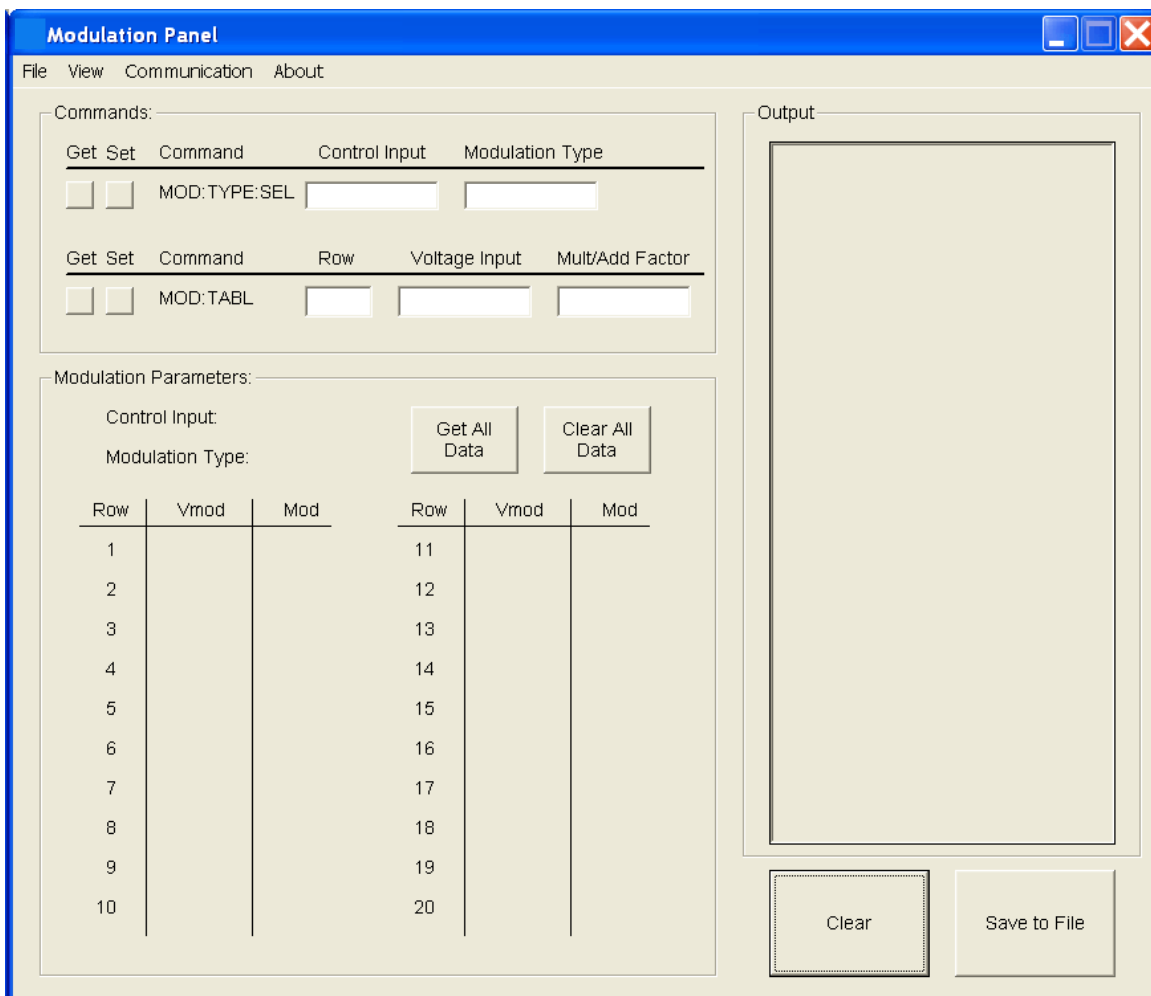


Figure 5.7 Modulation Panel

6.0 PRINCIPLE OF OPERATION

Figure 6.1 illustrates the block diagram of the SPS series power supply.

Power is fed through ac fuses and is distributed to a control transformer, inrush limiter, and main 3 ϕ contactor. The control transformer powers a switching power supply in the driver board. Power from the switching power supply is fed to the other printed circuit boards in the SPS unit. The inrush limiter is a step start device which is used to initially charge capacitors on the input dc bus and limit the inrush of current. The inrush limiter is initiated when the power supply is switched from a standby to power state. After the charge cycle, the main 3 ϕ contactor is energized and power is allowed to flow to the load. The optional EMI filter filters common mode and differential mode noise emanating from the supply.

Output power is controlled through a polyphase chopper. For a 10 kW SPS supply, three choppers, phased 120° apart, provide a current source to the medium frequency link inverter. The 6.6 kW SPS uses two choppers, phased 180° apart, and the 3.3 kW supply uses only one chopper. The choppers are controlled with current mode, pulse width modulation (PWM). This modulation scheme provides a quick response for transients and filtering harmonics on the dc bus. As illustrated, chopper output current is monitored for balancing and for sensing overload current conditions. The polyphase chopper has been engineered to eliminate harmonic components minimizing currents circulating in the power supply.

The polyphase chopper produces a controlled dc bus which is connected to dc link inductors and current fed, IGBT medium frequency link inverter. The inverter, which operates at 420 Hz to 780 Hz, excites the main transformer at higher than normal line frequencies. This operation produces ohmic isolation between the input and output of the power supply using a transformer of dramatically reduced size.

The output of the main power transformer is converted to dc via rectifiers. Low voltage versions of the SPS Series power supply use midpoint diode configurations and higher voltage versions use bridge configurations.

The dc output voltage is filtered with a pie section filter. This, in combination with the dc link inductors, form a double stage inductive capacitive (LC) filter.

The gate driver board supports a synchronized modulation scheme which integrates power semiconductor switching of the switching power supply, polyphase chopper, and medium frequency link inverter.

The fuse/phase detector senses input line voltage on each phase and continuity of each fuse. Upon detection of a problem, the control board is signaled to shutdown the system.

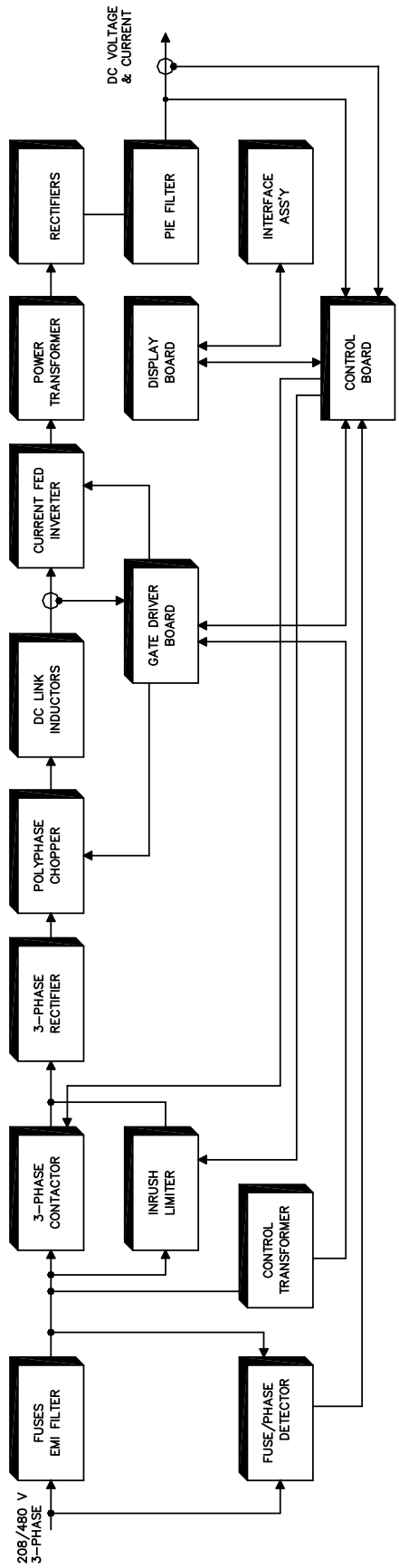


Figure 6.1 Block diagram

The display board contains light-emitting diodes for displaying diagnostic conditions, meters for displaying voltage and current, keypad for data entry, and an interface for connecting to the potentiometers and switches.

7.0 MAINTENANCE AND TROUBLE SHOOTING

7.1 General

The SPS Series power supplies consist of a multistage power processing system. Because of its complexity, it is highly recommended that all repairs be performed by the factory or qualified power supply technician. Before attempting maintenance or repair, the technician should be familiar with the components of the systems and the theory of operation. Some basic test equipment is also necessary: source of ac power, means of loading the power supply, dc voltmeter with accuracy and resolution better than the unit specifications, and an oscilloscope. The chart in Section 7.2 should aid in finding operational problems.



Caution: When servicing the power supply, dangerous voltage levels exist. All ac and dc capacitors should be discharged. Be especially careful of person and equipment when measuring primary circuitry since this is at line potential.

7.2 Trouble Shooting Guide

1. Fuse F1, F2, or F3 blows when the power supply is turned on. Power supply has a short on the primary side.
 - a. Check diode bridge DB1.
 - b. Check for failed power semiconductor on the Chopper Module.
 - c. Check for isolation to ground on the input side of the power supply.
2. Over current trips and power supply cannot be reset. An auxiliary over current detector limits input dc link current. Exceeding safe levels will cause an over current diagnostic condition that cannot be reset.
 - a. Restart the supply. Transient voltages on the input voltage could have caused the problem.
 - b. Check diodes D1 through D4 on the secondary side of transformer T1.
 - c. Check for a shorted winding on transformer T1.
 - d. Check for failed IGBT's in the Chopper and Inverter Modules.
3. Unit goes to high output immediately after starting.
 - a. For local sensing, check that the power supply is configured for local sensing. For remote sensing, check that there is continuity of feedback signals on terminals 1 and 2 of JS2.
 - b. Check for loose connectors internal to the power supply.
4. High ripple voltage.
 - a. Check the mains voltage for balance and magnitude.

7.3 Calibration

7.3.1 Control Board

The control board contains digital potentiometers for fine adjustments of the reference and feedback amplifiers. These potentiometers may be adjusted by using the front panel controls described in Section 3.1.4 or by using the Calibration Panel of the Remote Interface Software described in Section 5.5.

7.3.1.1 Reference Amplifier Calibration

Connect a voltmeter between terminal 6 of JS1 (positive) and terminal 1 of JS1 (negative). With only the control power applied, adjust potentiometer P5 for a 2.5006 V.

7.3.1.2 Voltage Feedback Amplifier Calibration

Place a dc voltmeter across the output terminals of the power supply and place a second dc voltmeter to monitor VO2, the voltage between terminal 5 of JS1 (positive) and terminal 1 of JS1 (negative). Set the load to 50% rated output current at full scale voltage.

With only the control power applied, adjust potentiometer P2 for 0.000 V at VO2. Using the keypad or the RS232 remote interface, set the output voltage to 50% full scale output. Turn on the power supply and adjust potentiometer P1 until the output voltage matches the set point voltage. Now set the output voltage to its full scale rating and measure the output voltage. Adjust potentiometer P1 to equally divide the error between the half scale set point and the full scale point.

7.3.1.3 Current Feedback Amplifier Calibration

Place a dc ammeter in series with the load of the power supply and place a dc voltmeter to monitor IO2, the voltage between terminal 24 of JS1 (positive) and terminal 1 of JS1 (negative). Set the load to 100% rated output current at 90 % full scale voltage.

With only the control power applied, adjust potentiometer P4 for 0.000 V at IO2. Using the keypad or the RS232 remote interface, set the output current to 50% full scale output. Turn on the power supply and adjust potentiometer P3 until the output current matches the set point current. Now set the output current to its full scale rating and measure the output current. Adjust potentiometer P3 to equally divide the error between the half scale set point and the full scale point.

7.3.2 Driver Board

The driver board contains two potentiometers which are used to set under voltage and over current protection in the polyphase chopper circuitry. These potentiometer do not normally need adjustment in the field.

7.3.2.1 Over Current Protection

Over current protection should only be calibrated after consultation with the factory.



Gross misadjustment can cause chopper and inverter failure.

Place a dc voltmeter between test point TP6 (positive) and test point TP7 (negative). With only the control power applied, adjust potentiometer P1 to 6.00 V.

7.3.2.2 Under Voltage Protection

Under voltage protection should only be calibrated after consultation with the factory.



Gross misadjustment can cause chopper and inverter failure.

Connect the power supply to an adjustable ac source and connect an ac voltmeter to monitor the voltage applied to the input terminals. Tests can be performed under no load conditions. Set the ac source to rated voltage. Turn the control power, press the start switch, and adjust the output voltage to 10% full scale output. Decrease the ac source to a value between 75% to 82% of rated voltage. Adjust potentiometer P2 until the output drops to zero; the transition will be abrupt.

Decrease the ac source to a value between 72% to 79% of rated voltage. The main contactor should turn off.

8.0 APPLICATIONS

8.1 General

SPS Series power supplies deploy several powerful programming functions that enhance performance for user specific applications. While the possibilities are endless, a few examples are presented in this chapter to demonstrate the internal capabilities of the power supply. All of these examples can be further expanded by operating the unit under computer control.

8.2 Power Waveform Generator

SPS Series power supplies can be programmed to operate as a power waveform generator. Referring to Section 3.1.5, each memory state needs to be programmed for the desired voltage or current for a specific time period. An example of a power waveform generator and its corresponding programming values are shown in figure 8.1 in Table 8.1, respectfully. In this particular example, the voltage set point was changed in 10 second intervals while the current, over voltage trip, and over current trip were kept constant. To make the power supply repeat the voltage ramp, 9998 is entered for step 9. This causes the memory state to jump back to 0 after completing step 8. To start the ramp generator, set the power supply to memory state 0, press the arm key, and then the start key. Press the stop key to terminate operation.

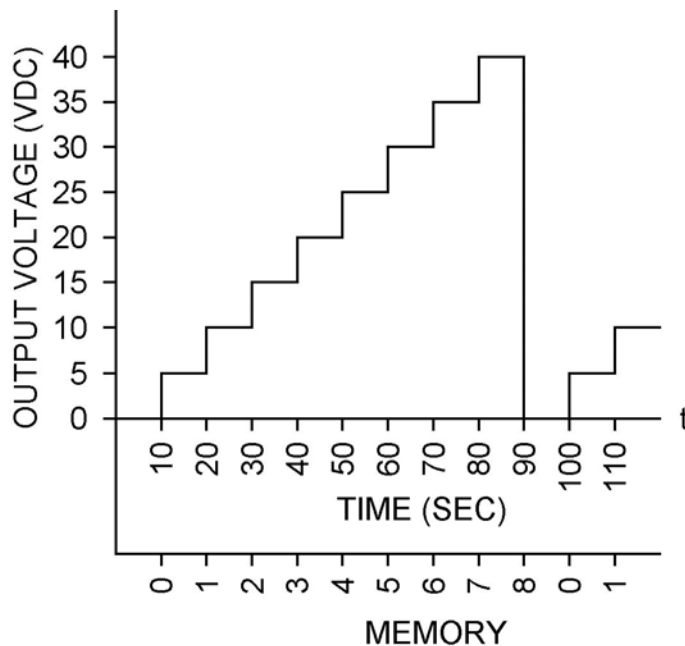


Figure 8.1 Sawtooth output voltage

Table 8.1 RAMP GENERATOR SEQUENTIAL STEP PROGRAM

Memory	Voltage Set (V)	Current Set (A)	Over Voltage Trip (V)	Over Current Trip (A)	Period (S)
0	0	200	55	220	10
1	5	200	55	220	10
2	10	200	55	220	10
3	15	200	55	220	10
4	20	200	55	220	10
5	25	200	55	220	10
6	30	200	55	220	10
7	35	200	55	220	10
8	40	200	55	220	10
9	40	200	55	220	9998

8.3 Leadless Remote Sensing

Remote sensing is used to improve the degradation of regulation which will occur at the load when the voltage drop in the connecting wires is appreciable. Remote sensing, as described in Section 3.3, requires an pair of wires to be connected between the output of the power supply and the desired point of load regulation. Remote sensing can be accomplished, without the use of the additional sense leads, by calculating the voltage drop in the output leads and adjusting the output voltage accordingly.

To establish leadless remote sensing, connect terminal 24 of JS1 to terminal 25 of JS1, set the modulation control parameter to voltage control, and set the modulation type to 1. Figure 8.2 illustrates the hardware connection and Section 4.3.12 describes application of the modulation subsystem. With this configuration, output voltage will increase or decrease with output current as defined by the modulation table. By programming a positive slope into the modulation table, output voltage and voltage drop due to lead loss can be made to cancel. For an installation where there is a 2% drop in voltage at full scale current, the modulation table should be programmed according to Table 8.2. For row 3 in the modulation table, VMOD is given the value 9999 to signify the last entry.

8.4 Photovoltaic Cell Simulator

In a similar application to leadless remote sensing, modulation enables the power supply to emulate different sources: such as batteries, fuel cells, photovoltaic arrays, etc. To simulate a photovoltaic array, connect terminal 24 of JS1 to terminal 25 of JS1, set the modulation control parameter to voltage control, and set the modulation type to 0. Figure 8.3 illustrates the IV characteristics for a typical photovoltaic array and Table 8.3 defines the associated piece-wise linear modulation table to emulate that array. For this example, a SPS125-53 power supply was chosen for the power source.

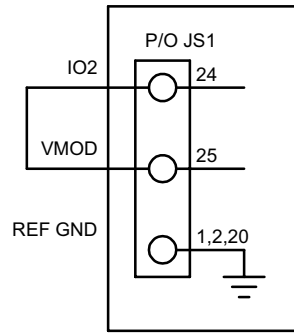


Figure 8.2 Leadless remote sensing

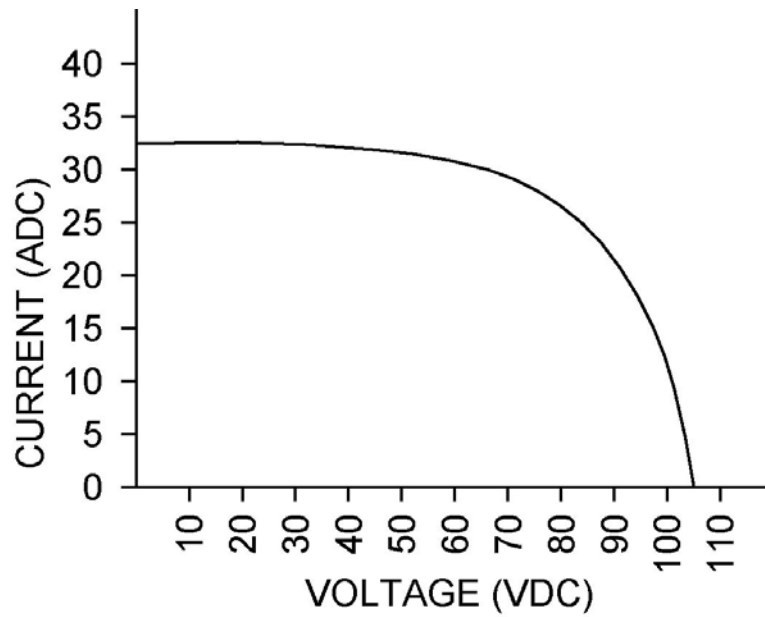


Figure 8.3 IV characteristics for a typical photovoltaic array

Table 8.2 MODULATION TABLE FOR LEADLESS REMOTE SENSING (TYPE 1)

Row	VMOD (Vdc)	Mod
1	0.0	0.00
2	2.0	0.04
3	9999	0.00

Table 8.3 MODULATION TABLE FOR EMULATION OF A PHOTOVOLTAIC ARRAY (TYPE 0)


Row	VMOD (Vdc)	Mod	Vo (Vdc)	Io (A dc)
1	0.000	1.000	105	0.0
2	0.377	0.952	100	10.0
3	0.660	0.905	95	17.5
4	0.849	0.857	90	22.5
5	0.943	0.809	85	25.0
6	0.981	0.762	80	26.0
7	1.033	0.714	75	27.5
8	1.094	0.666	70	29.0
9	1.132	0.619	65	30.0
10	1.170	0.571	60	31.0
11	1.208	0.476	50	32.0
12	1.226	0.000	0	32.5
13	9999	0.000		

Note: Set the program voltage to 105V.

8.5 Battery Charger

Figure 8.4 illustrates a temperature compensated battery charger for applications with lead acid batteries. Diode D1, placed between the power supply and battery, blocks current from flowing from the battery to the power supply. This eliminates any loading on the battery when the power supply is off, but more importantly, prevents the battery from charging the power supply's output capacitors. With deployment of diode D1, remote sensing should be applied across the battery terminals to compensate for the diode drop. By setting the voltage and current to the bulk charge voltage and maximum charge current, the power supply will initially charge the batteries in current mode control and then automatically crossover to voltage mode control when the batteries reach the desired set point. The power supply can be programmed for time dependent, sequential step operation, see Section 3.1.5, to equalize and float charge the batteries after bulk charging. Equalization is generally

not required for every charge cycle. Table 8.4 illustrates the different charging steps and Table 8.5 provides the recommended charging voltage per cell for different battery technologies.



Caution: All battery parameters presented in this section are guidelines and the user should refer to and use manufacturer's specifications in any battery charging application.

A temperature detector can be applied to the modulation input to adjust the set point voltage with temperature. In this example, the temperature sensor, integrated circuit U1, is a two terminal device that produces a current proportional to temperature. This device, AD592, is manufactured by Analog Devices. The temperature detector is placed in series with resistor R1 and the temperature dependent voltage is measured between terminals 25 and 1,2, or 20 of connector JS1. Table 8.6 provides the recommended charge voltage deviation per cell as a function of temperature.

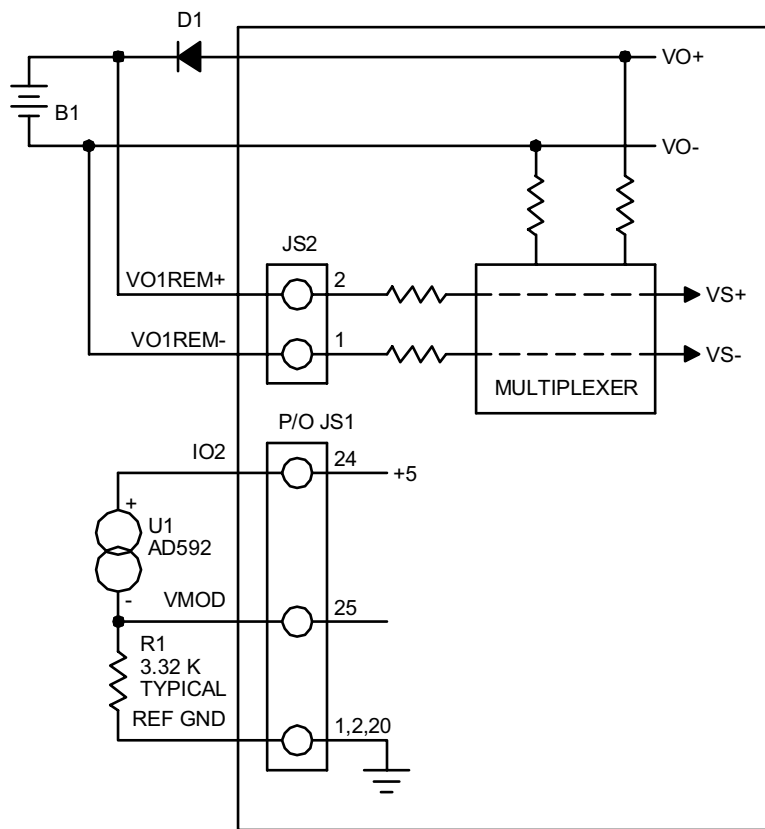


Figure 8.4 Battery charger with temperature compensation

Table 8.7 defines the modulation parameters for applying temperature compensation to a standard 12 V lead acid battery using a SPS16-200 power supply. The modulation control parameter should be set to voltage control and modulation type should be set to 1.

Table 8.4 CHARGING PROGRAMMING AND CHARACTERISTICS

PARAMETER	STEP 1 BULK CHARGE	STEP 2 ABSORPTION CHARGE	STEP 3 EQUALIZATION CHARGE	STEP 4 FLOAT CHARGE
MEMORY STEP	0	0	1	2
VOLTAGE SET	Vbc	Vbc	Vec	Vfc
CURRENT SET	Imbc	Imbc	Imec	Imec
OVT	105%•Vbc	105%•Vbc	105%•Vec	105%•Vfc
OCT	110%•Imbc	110%•Imbc	110%•Imec	110%•Imec
PERIOD	6 hours	6 hours	1 hours	
MODE OF CONTROL	Current	Voltage	Current/Voltage	Voltage

Notes:

Vbc: Bulk charge voltage

Vec: Equalize charge voltage

Vfc: Float charge voltage

Imbc: Maximum bulk charge current (25% of AH capacity maximum)

Imec: Maximum equalization charge current (10% of AH capacity maximum)

Table 8.5 BATTERY CHARGING PER CELL

BATTERY TYPE	CHARGING VOLTAGE RANGE		
	BULK Vbc (Vdc)	EQUALIZE Vec (Vdc)	FLOAT Vfc (Vdc)
WET STANDARD (Sb/Sb) DEEP CYCLE	2.417 - 2.467	2.567 - 2.667	2.167 - 2.200
WET LOW MAINTENANCE (Sb/Ca)	2.400 - 2.433	2.517 - 2.733	2.183 - 2.200
WET MAINTENANCE FREE (Ca/Ca)	2.467	2.583 - 2.717	2.183 - 2.233
VRLA AGM	2.400 - 2.467	NA	2.200 - 2.300
VRLA GEL CELL	2.350 - 2.400	NA	2.200 - 2.300

Notes:

1) Ca: Calcium, Sb: Antimony

2) VRLA: Valve regulated lead acid

3) AGM: Sealed absorbed Glass Mat, also known as started electrolyte

Table 8.6 BATTERY CHARGING TEMPERATURE COMPENSATION PER CELL

ELECTROLYTE TEMPERATURE (°F)	ELECTROLYTE TEMPERATURE (°C)	DEVIATION IN CHARGE VOLTAGE (Vdc)	
		+/-	RANGE
0	-17.8	+	.224 - .264
10	-12.2	+	.196 - .231
20	-6.7	+	.168 - .198
30	-1.1	+	.140 - .165
40	4.4	+	.112 - .132
50	10.0	+	.084 - .099
60	15.6	+	.056 - .066
70	21.1	+	.028 - .033
80	26.7		0.000
90	32.2	-	.028 - .033
100	37.8	-	.056 - .066
110	43.3	-	.084 - .099
120	48.9	-	.112 - .132
130	54.4	-	.140 - .165
140	60.0	-	.168 - .198
150	65.6	-	.196 - .231
160	71.1	-	.224 - .264

Notes:

1) Deviation is 2.80 to 3.30 mV/°F/cell

Table 8.7 MODULATION TABLE FOR A TEMPERATURE COMPENSATED BATTERY CHARGER (TYPE 1)

Row	VMOD (Vdc)	Mod	Vo (Vdc)
1	0.000	0.183	16.10
2	0.851	0.183	16.10
3	1.148	-0.183	-13.18
4	2.000	-0.183	-13.18
5	9999	0.000	0

Note: Set the program voltage to 14.64V.

APPENDIX A IEEE-488 COMMUNICATIONS

The optional GPIB-232CV-A, IEEE-488 to RS232 protocol converter, transparently converts data between the two ports without control codes or special commands. The GPIB-232CV-A firmware is contained in read only memory and can address up to 256 KB of dynamic random-access memory (RAM). The firmware programs and maintains the NAT4882 GPIB controller chip, which implements all GPIB functionality.

For details of operation, refer to the user manual that is supplied with the GPIB-232CV-A.

A.1 GPIB-232CV-A Setup

The GPIB-232CV-A contains two sets of dip switches, S1 and S2, that need to be configured to operate with the SPS Series power supply. Table A.1 specifies the recommended switch positions. The GPIB-232CV-A can be configured for C or D mode operation. The unit must be configured for D mode which makes the controller a slave to the IEEE-488 bus.

Table A.1 GPIB-232CV-A SWITCH CONFIGURATION

S W	DESCRIPTION	SWITCH POSITION							
		1	2	3	4	5	6	7	8
1	GPIB Address 1	ON	OFF	OF F	OF F	OF F			
	GPIB Address 2	ON	ON	OF F	OF F	OF F			
	GBIB Address X	X	X	X	X	X			
	GBIB Address 30	ON	ON	ON	ON	ON			
	SRQ disabled and large serial buffer						OF F	ON	
	D Mode operation								OFF
2	19200 baud	OF F	ON	ON					
	Even parity				ON				
	Parity checking/checking disabled					OF F			
	1 stop bit per character						OF F		

8 bits per character								ON	
XON/XOFF protocol disabled									OFF

Before installing this optional equipment, the manufacturer recommends that you first commission the system using the manual controls on the front panel of the power supply.

To connect the GPIB-232CV-A to the SPS Series power supply, proceed as follows:

1. Set the dip switches on the GPIB-232CV-A to the recommended settings in Table A.1.
2. Connect a standard, straight-through, 9-conductor, serial extension cable between connector JS3 on the power supply and the serial port on the GPIB-232CV-A. This cable is supplied with the SPS Series power supply.
3. Connect an IEEE-488 cable between the IEEE-488 port on the GPIB-232CV-A and the IEEE-488 port on a computer. Set the dip switch S1, positions 1 through 5 on the GPIB-232CV-A, to address 0-30.
4. Establish RS232 communications by configuring the power supply for remote operation using the front panel commands described in Section 3.1.3.

A.2 GPIB-232CV-A Communications using the Remote Interface Software

Chapter 5.0 describes application of the Remote Interface Software which is shipped with SPS Series power supplies. This software provides the user with a quick method to operate a American Reliance' power supply under computer control. The software can be configured for a number of communication interfaces; IEEE-488 is included as one of these interfaces.

To use Remote Interface Software with the GPIB-232CV-A, perform the setup described in previous section and refer to Section 5.1 to configure the software for IEEE-488 communications. Make sure that the address is the same as that set on the GPIB-232CV-A.

A.3 GPIB-232CV-A Communications with MAX

National Instruments offers Measurement and Automation Explorer (MAX), a Graphical User Interface as a terminal emulation program for configuring an Interchangeable Virtual Instrument (IVI). MAX is usually installed with one of National Instrument's Application Development Environments such as LabVIEW, Measurement Studio, or with hardware product drivers such as NI-488.2 and NI-DAQ.

To operate the GPIB-232CV-A with MAX, the instrument must first be located for communications. The following steps describes this procedure.

1. Run the MAX application program.
2. In the Configuration window press the + sign to the left of Devices and Interfaces to

- view the installed National Instruments devices.
3. If there is more than one GPIB device listed, then select the correct GPIB device.
 4. Press Scan for Instruments on the menu bar and wait several seconds.
 5. At least one instrument should appear under the GPIB controller. If no instruments appear, then refer to Section A.1 to verify the correct setup.
 6. Select the instrument with the address of the GPIB-232CV-A.

To operate the GPIB-232CV-A with MAX, the communications protocol needs to be established to terminate commands with an ASCII carriage return. This requires all commands be appended with \n which is the code for carriage return. For example to obtain the instrument's identification string, enter *IDN?\n into the Send String text box and press the Query button. The following describes the setup procedure for defining the end of string (EOS) syntax.

1. On the menu bar, press Communicate with Instrument. The NI-488.2 Communicator dialog box should appear.
2. In the NI-488.2 Communicator dialog box, press the Configure EOS button. The Termination Method dialog box should appear.
3. In the Termination Method dialog box perform the following steps:
 - a. Select the option Send EOI at end of Write.
 - b. Select the option Terminate Read on EOS.
 - c. Enter 10 into the EOS byte (10 is the ASCII character for carriage return).
 - d. Press OK.

APPENDIX B ETHERNET COMMUNICATIONS

The optional VLINX MODEL ESP901, Ethernet to RS232 converter, transparently converts data between the two ports without control codes or special commands.

The ESP901 operates in “Direct IP Mode,” “Virtual COM Mode,” and “Paired Mode.” It has one asynchronous 9 pin D-Subminiature connector and one 10/100 Mbps Ethernet RJ-45 connector.

The ESP901 Windows drivers installs a virtual COM port in the Device Manager of the operating system. The virtual COM port is designed to establish a connection with the ESP901. This in turn will allow communications with the SPS Series power supply in the same manner as a device connected to the COM port on a PC. The local area network becomes transparent to the serial device and the software running on the PC.

The ESP901 can be configured as a TCP or UDP Client/Server. In direct IP and virtual COM modes, ESP901 should be configured as a server.

For details of operation, refer to the user manual that is supplied with the ESP901.

B.1 ESP901 Setup

The ESP901 has a three position dip switch that needs to be set for interfacing to RS232 devices. Table B.1 lists the specific settings for interface with SPS Series power supplies.

Table B.1 ESP901 SWITCH CONFIGURATION

DESCRIPTION	SWITCH POSITION		
	1	2	3
RS-232 mode	OFF	ON	OFF

Before installing this optional equipment, the manufacturer recommends that you first commission the system using the manual controls on the front panel of the power supply.

To connect the ESP901 to the SPS Series power supply, proceed as follows:

1. Set the dip switch on the ESP901 to the recommended settings in Table B.1.
2. Connect a standard, straight-through, 9-conductor, serial extension cable between connector JS3 on the power supply and the serial port on the ESP901. This cable is supplied with the SPS Series power supply.
3. Connect a CAT5 cable between the Ethernet port on the ESP901 and the network. A connection between the ESP901 and a computer can be made with the use of a crossover cable.

4. Establish RS232 communications by configuring the power supply for remote operation using the front panel commands described in Section 3.1.3.

B.2 Creating a Static IP Address

The following procedure creates a static IP address.

1. Install the ESP901 software, provided with system.
2. Initiate the LAN searching software via Start -> Programs -> B&B Electronics -> VLINX -> ESP Server -> VLINX ESP Manager.
3. In the left column, double click “Searching Server” icon. This initiates the network search for ESP901 (the software will only find the ESP901 if it is within the same subnet).
4. An entry will appear in the main window, double click the element and a dialog will appear. This is the configuration page.
5. Set the following properties in the dialog:
 - a. DHCP - disabled.
 - b. IP address - an address within your subnet.
 - c. Baud Rate - 19200.
 - d. Data/Parity/Stop - 8-N-1.
 - e. Flow Control - None.
 - f. Connection Mode - Server.
 - g. TCP/UDP Protocol - TCP.
 - h. TCP/UDP Port - 4000.
6. Update the configuration with the “Update” button, close the dialog, and cycle power on the ESP901.
7. Record the IP address and port number.
8. The power supply is ready to communicate over the local area network.

B.3 Creating a DHCP Address

The following procedure creates a static DHCP address.

1. Install the ESP901 software, provided with system.
2. Initiate the LAN searching software via Start -> Programs -> B&B Electronics -> VLINX -> ESP Server -> VLINX ESP Manager.
3. In the left column, double click “Searching Server” icon. This initiates the network search for ESP901 (the software will only find the ESP901 if it is within the same subnet).
4. An entry will appear in the main window, double click the element and a dialog will appear. This is the configuration page.
5. Set the following properties in the dialog:
 - a. DHCP - enabled.
 - b. Baud Rate - 19200.

- c. Data/Parity/Stop - 8-N-1.
 - d. Flow Control - None.
 - e. Connection Mode - Server.
 - f. TCP/UDP Protocol - TCP.
 - g. TCP/UDP Port - 4000.
6. Update the configuration with the “Update” button, close the dialog, and cycle power on the ESP901.
 7. Record the IP address and port number.
 8. Re-enter the configuration page, disable the DHCP and cycle power.
 9. The power supply is ready to communicate over the local area network.

B.4 ESP901 Communications using HyperTerminal

The following procedure outlines using Microsoft Windows (tm) HyperTerminal Program to communicate with the ESP901.

1. Start the HyperTerminal application and when prompted select “TCP/IP (Winsock)” in the “Connect using” list box.
2. Insert the recorded IP address in the “Host address” text box and port number in the “Port number” text box.
3. Click the “OK” button.
4. Set the following properties for HyperTerminal’s ASCII setup:
 - a. Send line ends with line feeds
 - b. Echo typed characters locally
 - c. Append line feeds to incoming line ends
5. Type “*IDN?” in the input window and press enter. The identification of the instrument should appear.

APPENDIX C USB COMMUNICATIONS

The optional Edgeport/1 USB Expansion Module transparently transforms a USB port to a COM port.

The Edgeport/1 Windows drivers installs a virtual COM port in the Device Manager of the operating system. This in turn will allow communications with the SPS Series power supply in the same manner as a device connected to the COM port on a PC. The USB port becomes transparent to the serial device and the software running on the PC.

C.1 Edgeport/1 Setup

Before installing this optional equipment, the manufacturer recommends that you first commission the system using the manual controls on the front panel of the power supply.

To connect the Edgeport/1 USB Expansion Module to the SPS Series power supply, proceed as follows:

1. Connect the USB cable between a USB port on the computer and the Edgeport/1 Expansion module. This cable is supplied with the Edgeport/1 USB Expansion Module.
2. If required, install the drivers for the Edgeport/1 USB Expansion Module as described in the Installation Guide.
3. Connect a standard, straight-through, 9-conductor, serial extension cable between connector JS3 on the power supply and the serial port on the Edgeport/1 USB Expansion Module. This cable is supplied with the SPS Series power supply.
4. Establish RS232 communications by configuring the power supply for remote operation using the front panel commands described in Section 3.1.3.

C.2 Edgeport/1 Communications using the Remote Interface Software

Chapter 5.0 describes application of the Remote Interface Software which is shipped with SPS Series power supplies. This software provides the user with a quick method to operate a American Reliance' power supply under computer control. The software can be configured for a number of communication interfaces;

To use Remote Interface Software with the Edgeport/1 USB Expansion Module , perform the setup described in previous section and refer to Section 5.1 to configure the software for RS232 communications.

APPENDIX D RS485 COMMUNICATIONS

The optional 485DSS to RS232 converter, transparently converts data between two ports with control codes or special commands.

The Model 485DSS, RS485 distributed smart switch, allows multiple addressing of RS232 devices. The host computer uses RS485 output to send commands to the network consisting of multiple 485DSS devices interfacing to RS232 communications equipment. Each 485DSS device has a unique address that can be set from 0 to 255.

The 485DSS communication parameters are: 9600 baud, no parity, 8 data bits, and 1 stop bit. Once the computer is connected to the RS232 port, the computer's communication parameters can be changed to match the RS232 port. There is no delay or buffering of data in the 485DSS.

D.1 485DSS Initial Setup

This section sets up the hardware for the 485DSS module.

1. The default address for the 485DSS is 0. To change this address, remove the module's cover and locate the DIP switch in the center of the printed circuit board. Set the desired address on the DIP switch using the bit weights associated with each switch.
2. Set the 485DSS for either 2-wire or 4-wire communications. Jumper settings are illustrated in figure D.1.
3. For noisy environments, a terminator may be required between the RD(A) and RD(B) lines. To add a terminator, set the termination jumper to IN to the 485DSS at the end of the line.
4. Connect the serial cable from the connector JS3 on the power supply to the 485DSS. This requires a male DB9 to female DB25 serial cable.

D.2 HyperTerminal Setup

This section sets up the Microsoft Windows HyperTerminal for communicating with the 485DSS.

1. Start the HyperTerminal program in Windows by pressing Start, Programs, Accessories, Communications, and HyperTerminal.
2. In the Connection Description dialog box, type MPE Comm and click the OK button.
3. The Connect To dialog box will then appear. Select the desired COM port.
4. The COM Properties dialog box will appear. Set the following parameters:
 - a. Bits per second to 9600.
 - b. Data bits to 8.
 - c. Parity to None.
 - d. Stop Bits to 1.
 - e. Flow control to None.
5. Click the OK button.
6. On the menu bar, select File, Properties to open the Properties dialog box.

7. Click on the Settings tab, and click the ASCII Setup button.
8. On the ASCII Setup dialog box, set the following:
 - a. Send line ends with line feeds.
 - b. Echo typed characters locally.
 - c. Append line feeds to incoming line ends.
9. Press the OK button to close the ASCII Setup dialog box.
10. Press the OK button to close the Properties dialog box.

D.3 485DSS Address Command

A command is required to address each individual 485DSS module. Once addressed, the module will transparently convert serial data. The address command can only be transmitted at 9600 baud, and if the command is transmitted at any other baud rate, the command will be ignored by the 485DSS module. The address command has the following form: Xoff character, the most significant address character, the least significant address character, and SOH character. Xoff and SOH require a combination of keys to produce the desired character in HyperTerminal. Simultaneously pressing the Ctrl key and the S key (Ctrl+S) will produce the Xoff character and simultaneously pressing the Ctrl key and the A key (Ctrl+A) will produce the SOH character. The address range of the 485DSS module is from 0 to 255 in decimal or 0 to FF in hex. With HyperTerminal all addresses must be entered as hex.

For an example, to set a 485DSS module with an address of 8F in hex (143 in decimal), the address command is: Xoff 8 F SOH. To enter this data into HyperTerminal, the key sequence is Ctrl+S, 8 key, F key and Ctrl+A. If the address is less than 10 hex, a leading zero is required.

D.4 485DSS Communications using HyperTerminal

This section covers RS485 communications to the power supply using the HyperTerminal and the 485DSS.

1. Configure the power supply for remote operation.
2. Set the address of the 485DSS module using the procedure in the previous section. The SEL LED should light.
3. On the menu bar in HyperTerminal, press Call, Disconnect.
4. On the menu bar in HyperTerminal, press File, Properties to open the Properties dialog box.
5. In the Properties dialog box, press the Configure button to open the COM Properties dialog box. Change the Bits per second to 19200 and then press the OK button.
6. Click the OK button on the Properties dialog box.
7. On the menu bar, select Call to reestablish communications at the new baud rate.
8. Press Enter.
9. Type “*IDN?” in the input window and press Enter. The identification string of the instrument should appear.

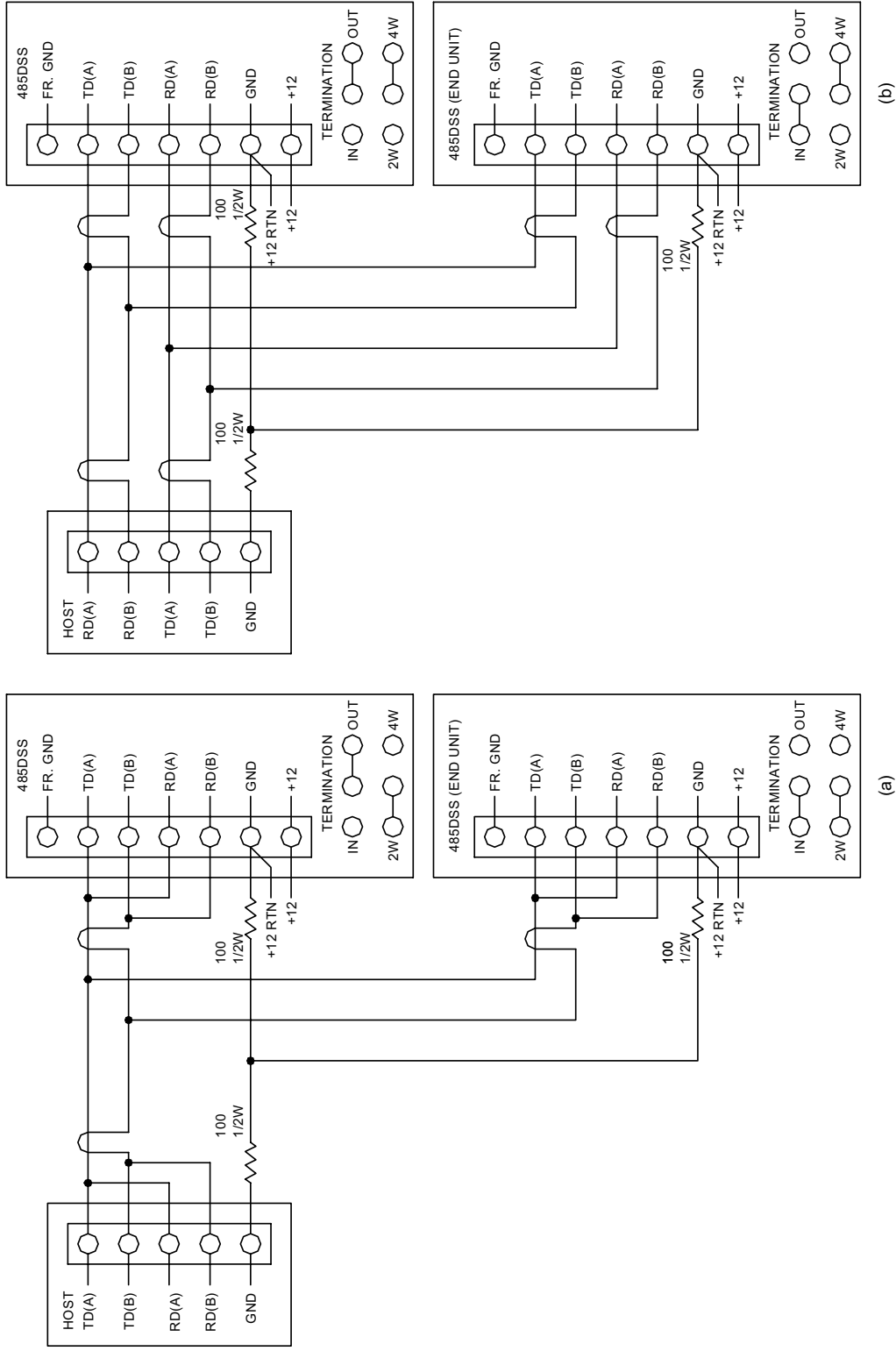


Figure D.1 RS485 (a) 2-wire and (b) 4-wire connections