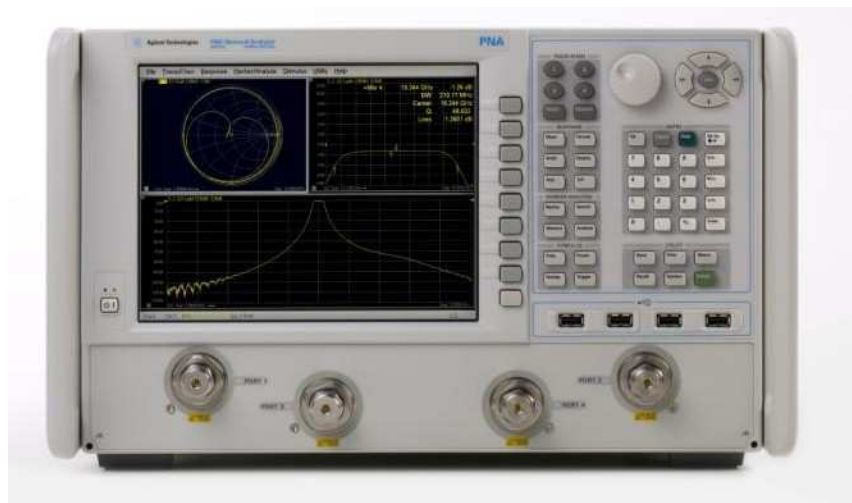


# Agilent 2-Port and 4-Port PNA Network Analyzer

**N5224A** 10 MHz to 43.5 GHz

**N5225A** 10 MHz to 50 GHz

Data Sheet and  
Technical Specifications



## **Documentation Warranty**

THE MATERIAL CONTAINED IN THIS DOCUMENT IS PROVIDED "AS IS," AND IS SUBJECT TO BEING CHANGED, WITHOUT NOTICE, IN FUTURE EDITIONS. FURTHER, TO THE MAXIMUM EXTENT PERMITTED BY APPLICABLE LAW, AGILENT DISCLAIMS ALL WARRANTIES, EITHER EXPRESS OR IMPLIED WITH REGARD TO THIS MANUAL AND ANY INFORMATION CONTAINED HEREIN, INCLUDING BUT NOT LIMITED TO THE IMPLIED WARRANTIES OF MERCHANTABILITY AND FITNESS FOR A PARTICULAR PURPOSE. AGILENT SHALL NOT BE LIABLE FOR ERRORS OR FOR INCIDENTAL OR CONSEQUENTIAL DAMAGES IN CONNECTION WITH THE FURNISHING, USE, OR PERFORMANCE OF THIS DOCUMENT OR ANY INFORMATION CONTAINED HEREIN. SHOULD AGILENT AND THE USER HAVE A SEPARATE WRITTEN AGREEMENT WITH WARRANTY TERMS COVERING THE MATERIAL IN THIS DOCUMENT THAT CONFLICT WITH THESE TERMS, THE WARRANTY TERMS IN THE SEPARATE AGREEMENT WILL CONTROL.

## **DFARS/Restricted Rights Notice**

If software is for use in the performance of a U.S. Government prime contract or subcontract, Software is delivered and licensed as "Commercial computer software" as defined in DFAR 252.227-7014 (June 1995), or as a "commercial item" as defined in FAR 2.101(a) or as "Restricted computer software" as defined in FAR 52.227-19 (June 1987) or any equivalent agency regulation or contract clause. Use, duplication or disclosure of Software is subject to Agilent Technologies' standard commercial license terms, and non-DOD Departments and Agencies of the U.S. Government will receive no greater than Restricted Rights as defined in FAR 52.227-19(c)(1-2) (June 1987). U.S. Government users will receive no greater than Limited Rights as defined in FAR 52.227-14 (June 1987) or DFAR 252.227-7015 (b)(2) (November 1995), as applicable in any technical data.

|  |           |
|--|-----------|
| <b>Documentation Warranty</b> .....  | <b>2</b>  |
| <b>DFARS/Restricted Rights Notice</b> .....  | <b>2</b>  |
| Definitions .....  | 5         |
| <b>Corrected System Performance</b> .....  | <b>6</b>  |
| System Dynamic Range and Receiver Dynamic Range .....  | 6         |
| Table 1a. System Dynamic Range and Receiver Dynamic Range, N5224A, Option 200, 400.....                          | 7         |
| Table 1b. System Dynamic Range and Receiver Dynamic Range, N5225A, Option 200, 400.....                          | 8         |
| Table 2. System Dynamic Range at Test Port (dB) .....  | 9         |
| Table 3. Extended Dynamic Range at Direct Receiver Access Input (dB) - Specification .....                       | 10        |
| N5224A and N5225A Corrected System Performance, All Options.....   | 11        |
| Table 4a. N5224A and N5225A with 85056A Calibration Kit .....  | 11        |
| Table 4b. N5224A and N5225A with N4693A 2-Port Electronic Calibration Module .....                               | 13        |
| <b>Uncorrected System Performance</b> .....  | <b>15</b> |
| Table 5a. Error Terms (dB), All Ports, All Options - Specifications .....  | 15        |
| Table 5b. Error Terms (dB), All Ports, All Options - Typical .....   | 16        |
| <b>Test Port Output</b> .....  | <b>17</b> |
| Table 6. Frequency Information, All Options .....  | 17        |
| Table 7a. Maximum Leveled Power (dBm), All Ports - Specification .....   | 17        |
| Table 7b. Maximum Leveled Power (dBm), All Ports - Typical .....   | 18        |
| Table 8. Power Level Accuracy (dB), All Options .....  | 18        |
| Table 9a. Power Level Linearity (dB), All Options - Specification.....   | 19        |
| Table 9b. Power Level Linearity (dB), All Options - Specification .....  | 19        |
| Table 10a. Power Sweep Range (dB), All Ports - Specification .....   | 19        |
| Table 10b. N5224 and N5225A Power Sweep Range (dB), All Ports - Typical .....                                    | 20        |
| Table 11. Nominal (Preset) Power (dBm).....  | 20        |
| Table 12. Power Resolution and Maximum/Minimum Settable Power, All Models and Options ..                         | 20        |
| Table 13. 2 <sup>nd</sup> and 3 <sup>rd</sup> Harmonics at Max Specified Power (dBc) All Options - Typical ..... | 21        |
| Table 14. Non-Harmonic Spurs at Nominal Power (dBc), All Models and Options - Typical .....                      | 21        |
| Table 15. Phase Noise (dBc/Hz), All Options - Typical .....  | 21        |
| <b>Test Port Input</b> .....   | <b>22</b> |
| Table 16. Test Port Noise Floor (dBm) @ 10 Hz IFBW, All Options .....  | 22        |
| Table 17. Direct Receiver Access Input Noise Floor (dBm), Option 201, 217, 219, 401, 417, 419 ..                 | 23        |
| Table 18a. 0.1 dB Receiver Compression at Test Port (dBm), Option 201, 217, 219, 401, 417, 419 - Typical .....   | 23        |
| Table 18b. Receiver Compression at Test Power - Specification.....   | 24        |
| Table 19. Trace Noise Magnitude (dB rms).....  | 24        |
| Table 20. Trace Noise Phase (deg rms).....   | 25        |
| Table 21. Reference Level Magnitude, All Models and Options - Specification .....                                | 25        |
| Table 22. Stability, All Options - Typical .....   | 25        |
| Table 23. Damage Input Level, All ports .....  | 25        |

|   |           |
|---|-----------|
| <b>Dynamic Accuracy .....</b>   | <b>26</b> |
| Table 24. N5224A and N5225A Dynamic Accuracy .....  | 26        |
| Table 25. Group Delay - Typical .....   | 29        |
| <b>General Information .....</b>  | <b>30</b> |
| Table 26. Miscellaneous Information .....   | 30        |
| Table 27. Front Panel Information, All Options .....  | 30        |
| Table 28. Rear Panel Information, All Options .....   | 31        |
| Table 29. Analyzer Dimensions and Weight .....  | 35        |
| Regulatory and Environmental Information .....  | 35        |
| <b>Measurement Throughput Summary .....</b>   | <b>36</b> |
| Table 30a. Typical Cycle Time (ms) for Measurement Completion, All Models and Options ..... | 36        |
| Table 30b. N5224A Typical Cycle Time (ms) for Full-Span Measurement Completion .....        | 37        |
| Table 30c. N5225A Typical Cycle Time (ms) for Full-Span Measurement Completion .....        | 37        |
| Table 31. Cycle Time vs. IF Bandwidth - Typical .....                                       | 38        |
| Table 32. Cycle Time vs. Number of Points - Typical .....                                   | 39        |
| Table 33. Data Transfer Time (ms) - Typical .....   | 40        |
| <b>Specifications: Front-Panel Jumpers .....</b>  | <b>41</b> |
| Table 34. Measurement Receiver Inputs (dBm) - Typical .....                                 | 41        |
| Table 35. Reference Receiver Inputs and Reference Source Outputs (dBm) - Typical .....      | 42        |
| Table 36. Reference Receiver Inputs and Reference Receiver Outputs (dBm) - Typical .....    | 43        |
| Table 37. Source Outputs (dBm) - Typical .....  | 44        |
| Table 38. Coupler Inputs (dB) - Typical .....   | 45        |
| Table 39. Damage Level - Typical .....  | 45        |
| <b>Test Set Block Diagrams .....</b>  | <b>46</b> |
| N5224A and N5225A Option 200 (2-port base model) .....                                      | 46        |
| N5224A and N5225A Option 201 .....  | 46        |
| N5224A and N5225A Option 217 .....  | 47        |
| N5224A and N5225A Option 219 .....  | 47        |
| N5224A and N5225A Option 400 (4-port base model) .....                                      | 48        |
| N5224A and N5225A Option 401 .....  | 48        |
| N5224A and N5225A Option 417 .....  | 49        |
| N5224A and N5225A Option 419 .....  | 49        |
| Receiver Block Diagram .....  | 50        |

**This is a complete list of the technical specifications for the N5224A and N5225A PNA network analyzers with the following options. See block diagrams on page 46 for all models and options.**

#### **2-Port Models**

**Option 200** - 2-port base model with standard test set.

**Option 201** - To base model, adds front-panel jumpers and R1 receiver switch.

**Option 217** - To base model, adds front-panel jumpers, R1 receiver switch, and source and receiver attenuators (extended power range).

**Option 219** - To base model, adds front-panel jumpers, R1 receiver switch, source and receiver attenuators (extended power range), and bias-tees.

#### **4-Port Models**

**Option 400** - 4-port base model with standard test set.

**Option 401** - To base model, adds front-panel jumpers and R1 receiver switch.

**Option 417** - To base model, adds front-panel jumpers, R1 receiver switch, and source and receiver attenuators (extended power range).

**Option 419** - To base model, adds front-panel jumpers, R1 receiver switch, source and receiver attenuators (extended power range), and bias-tees.

#### **Notes**

This document provides technical specifications for the 85056A and N4693A calibration kits.

Please download our free Uncertainty Calculator from [http://www.agilent.com/find/na\\_calculator](http://www.agilent.com/find/na_calculator) to generate the curves for your calibration kit and PNA setup.

For all tables in this data sheet, the specified performance at the exact frequency of a break is the degraded value of the two specifications at that frequency.

#### **Definitions**

All specifications and characteristics apply over a 25 °C ±5 °C range (unless otherwise stated) and 90 minutes after the instrument has been turned on.

**Specification (spec.):** Warranted performance. Specifications include guardbands to account for the expected statistical performance distribution, measurement uncertainties, and changes in performance due to environmental conditions.

**Characteristic (char.):** A performance parameter that the product is expected to meet before it leaves the factory, but that is not verified in the field and is not covered by the product warranty. A characteristic includes the same guardbands as a specification.

**Typical (typ.):** Expected performance of an average unit which does not include guardbands. It is not covered by the product warranty.

**Nominal (nom.):** A general, descriptive term that does not imply a level of performance. It is not covered by the product warranty.

**Calibration:** The process of measuring known standards to characterize a network analyzer's systematic (repeatable) errors.

**Corrected (residual):** Indicates performance after error correction (calibration). It is determined by the quality of calibration standards and how well "known" they are, plus system repeatability, stability, and noise.

**Uncorrected (raw):** Indicates instrument performance without error correction. The uncorrected performance affects the stability of a calibration.

**Standard:** When referring to the analyzer, this includes no options unless noted otherwise.

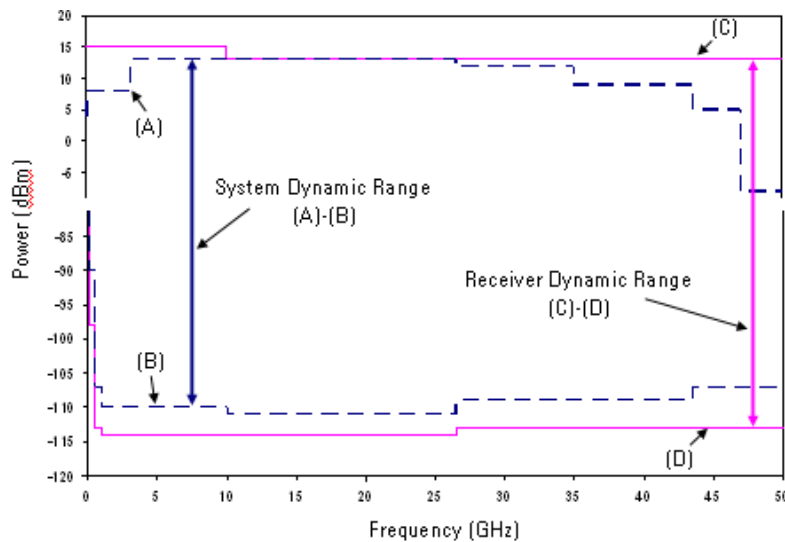
## Corrected System Performance

The specifications in this section apply for measurements made with the N5224A and N5225A PNA network analyzers with the following conditions:

- 10 Hz IF bandwidth
- No averaging applied to data
- Isolation calibration with an averaging factor of 8

### System Dynamic Range and Receiver Dynamic Range

- **System Dynamic Range** is defined as the specified source maximum output power (spec) minus the noise floor (spec).
- **Extended Dynamic Range at Direct Access Input** is defined as the specified source maximum output power (spec) minus the direct receiver access input noise floor (spec).
- **Receiver Dynamic Range** is defined as the test port compression at 0.1 dB (typical) minus the noise floor (typical).



#### NOTE:

The effective dynamic range must take measurement uncertainties and interfering signals into account. This set-up should only be used when the receiver input will never exceed its maximum receiver input. When the analyzer is in segment sweep mode, it can have predefined frequency segments which will output a higher power level when the extended dynamic range is required (i.e. devices with high insertion loss), and reduced power when the maximum receiver input level will occur (i.e. devices with low insertion loss). The extended range is only available in one-path transmission measurements.

It may typically be degraded at particular frequencies below 500 MHz due to spurious receiver residuals.

**Table 1a. System Dynamic Range and Receiver Dynamic Range, N5224A, Option 200, 400**

| Description        | Specification                     |                                    |                                 | Typical                             |   |                                 |
|--------------------|-----------------------------------|------------------------------------|---------------------------------|-------------------------------------|---|---------------------------------|
|                    | System Dynamic Range (dB) (A)-(B) | Max Leveled Output Power (dBm) (A) | Test Port Noise Floor (dBm) (B) | Receiver Dynamic Range (dB) (C)-(D) | 0.1 dB Compression at Test Port (dBm) (C) | Test Port Noise Floor (dBm) (D) |
| 10 MHz to 50 MHz   | 82                                | 12                                 | -70                             | 90                                  | 15  | -75                             |
| 50 MHz to 100 MHz  | 98                                | 13                                 | -85                             | 106                                 | 15  | -91                             |
| 100 MHz to 250 MHz | 108                               | 13                                 | -95                             | 112                                 | 12  | -100                            |
| 250 MHz to 500 MHz | 115                               | 13                                 | -102                            | 119                                 | 12  | -107                            |
| 500 MHz to 1 GHz   | 119                               | 13                                 | -106                            | 124                                 | 12  | -112                            |
| 1 GHz to 10 GHz    | 127                               | 13                                 | -114                            | 130                                 | 12  | -118                            |
| 10 GHz to 26.5 GHz | 127                               | 13                                 | -114                            | 132                                 | 12  | -120                            |
| 26.5 GHz to 35 GHz | 123                               | 13                                 | -110                            | 128                                 | 12  | -116                            |
| 35 GHz to 40 GHz   | 118                               | 10                                 | -108                            | 128                                 | 12  | -116                            |
| 40 GHz to 43.5 GHz | 118                               | 10                                 | -108                            | 124                                 | 10  | -114                            |

**Table 1b. System Dynamic Range and Receiver Dynamic Range, N5225A, Option 200, 400**

| Description        | Specification                     |                                    |                                 | Typical                             |   |                                 |
|--------------------|-----------------------------------|------------------------------------|---------------------------------|-------------------------------------|---|---------------------------------|
|                    | System Dynamic Range (dB) (A)-(B) | Max Leveled Output Power (dBm) (A) | Test Port Noise Floor (dBm) (B) | Receiver Dynamic Range (dB) (C)-(D) | 0.1 dB Compression at Test Port (dBm) (C) | Test Port Noise Floor (dBm) (D) |
| 10 MHz to 50 MHz   | 82                                | 12                                 | -70                             | 90                                  | 15  | -75                             |
| 50 MHz to 100 MHz  | 98                                | 13                                 | -85                             | 106                                 | 15  | -91                             |
| 100 MHz to 250 MHz | 108                               | 13                                 | -95                             | 112                                 | 12  | -100                            |
| 250 MHz to 500 MHz | 115                               | 13                                 | -102                            | 119                                 | 12  | -107                            |
| 500 MHz to 1 GHz   | 119                               | 13                                 | -106                            | 124                                 | 12  | -112                            |
| 1 GHz to 10 GHz    | 127                               | 13                                 | -114                            | 130                                 | 12  | -118                            |
| 10 GHz to 26.5 GHz | 127                               | 13                                 | -114                            | 132                                 | 12  | -120                            |
| 26.5 GHz to 35 GHz | 123                               | 13                                 | -110                            | 128                                 | 12  | -116                            |
| 35 GHz to 40 GHz   | 118                               | 10                                 | -108                            | 128                                 | 12  | -116                            |
| 40 GHz to 43.5 GHz | 118                               | 10                                 | -108                            | 124                                 | 10  | -114                            |
| 43.5 GHz to 47 GHz | 115                               | 6                                  | -109                            | 126                                 | 10  | -116                            |
| 47 GHz to 50 GHz   | 107                               | -2                                 | -109                            | 126                                 | 10  | -116                            |



**Table 2. System Dynamic Range at Test Port (dB)**

| Description        | Specification      |                    |                                 | Typical            |                    |                                 |
|--------------------|--------------------|--------------------|---------------------------------|--------------------|--------------------|---------------------------------|
|                    | Option 200,<br>400 | Option 201,<br>401 | Option 217,<br>219, 417,<br>419 | Option 200,<br>400 | Option 201,<br>401 | Option 217,<br>219, 417,<br>419 |
| 10 MHz to 50 MHz   | 82                 | 82                 | 80                              | 93                 | 93                 | 93                              |
| 50 MHz to 100 MHz  | 98                 | 98                 | 96                              | 109                | 109                | 109                             |
| 100 MHz to 250 MHz | 108                | 108                | 106                             | 118                | 118                | 118                             |
| 250 MHz to 500 MHz | 115                | 115                | 113                             | 125                | 125                | 125                             |
| 500 MHz to 1 GHz   | 119                | 118                | 117                             | 130                | 130                | 130                             |
| 1 GHz to 2 GHz     | 127                | 127                | 125                             | 137                | 137                | 137                             |
| 2 GHz to 3.2 GHz   | 127                | 127                | 125                             | 136                | 136                | 135                             |
| 3.2 GHz to 10 GHz  | 127                | 127                | 125                             | 138                | 138                | 138                             |
| 10 GHz to 13.5 GHz | 127                | 127                | 125                             | 138                | 138                | 137                             |
| 13.5 GHz to 16 GHz | 127                | 127                | 125                             | 140                | 139                | 138                             |
| 16 GHz to 20 GHz   | 127                | 127                | 124                             | 138                | 138                | 137                             |
| 20 GHz to 24 GHz   | 127                | 127                | 124                             | 138                | 138                | 136                             |
| 24 GHz to 26.5 GHz | 127                | 127                | 124                             | 138                | 137                | 135                             |
| 26.5 GHz to 30 GHz | 123                | 122                | 119                             | 133                | 132                | 130                             |
| 30 GHz to 32 GHz   | 123                | 121                | 117                             | 134                | 133                | 130                             |
| 32 GHz to 35 GHz   | 123                | 122                | 119                             | 134                | 133                | 130                             |
| 35 GHz to 43.5 GHz | 118                | 117                | 112                             | 129                | 128                | 125                             |
| 43.5 GHz to 47 GHz | 115                | 114                | 108                             | 128                | 126                | 123                             |
| 47 GHz to 50 GHz   | 107                | 104                | 98                              | 124                | 121                | 120                             |

**Table 3. Extended Dynamic Range at Direct Receiver Access Input (dB) - Specification**

| <b>Description</b> | <b>Option 201, 401</b> | <b>Option 217, 219, 417, 419</b> |
|--------------------|------------------------|----------------------------------|
| 10 MHz to 50 MHz   | 117                    | 115                              |
| 50 MHz to 100 MHz  | 118                    | 116                              |
| 100 MHz to 250 MHz | 120                    | 118                              |
| 250 MHz to 500 MHz | 127                    | 125                              |
| 500 MHz to 1 GHz   | 130                    | 129                              |
| 1 GHz to 10 GHz    | 139                    | 137                              |
| 10 GHz to 20 GHz   | 139                    | 136                              |
| 20 GHz to 26.5 GHz | 137                    | 134                              |
| 26.5 GHz to 30 GHz | 132                    | 129                              |
| 30 GHz to 32 GHz   | 131                    | 127                              |
| 32 GHz to 35 GHz   | 132                    | 129                              |
| 35 GHz to 40 GHz   | 127                    | 122                              |
| 40 GHz to 43.5 GHz | 125                    | 120                              |
| 43.5 GHz to 47 GHz | 122                    | 116                              |
| 47 GHz to 50 GHz   | 112                    | 106                              |

## N5224A and N5225A Corrected System Performance, All Options

Note: For any  $S_{ii}$  reflection measurement:

- $S_{jj} = 0$ .

For any  $S_{ij}$  transmission measurement:

- $S_{ji} = S_{ij}$  when  $S_{ij} \leq 1$
- $S_{ji} = 1/S_{ij}$  when  $S_{ij} > 1$
- $S_{kk} = 0$  for all  $k$

Applies to the N5224A/5A Option 200, 201, 217, 219, 400, 401, 417 or 419 analyzers, 85133F flexible test port cable set, and a full 2-port calibration. Also applies to the following condition:

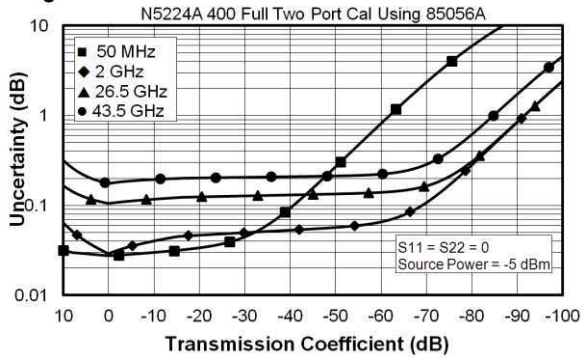
Environmental temperature  $23^\circ \pm 3^\circ \text{C}$ , with  $< 1^\circ \text{C}$  deviation from calibration temperature

**Table 4a. N5224A and N5225A with 85056A Calibration Kit**

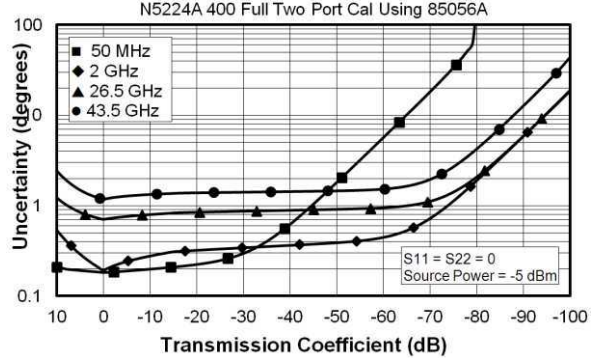
| Description           | Specification (dB)     |                       |                       |                        |                        |                        |                        |
|-----------------------|------------------------|-----------------------|-----------------------|------------------------|------------------------|------------------------|------------------------|
|                       | 10 MHz<br>to<br>50 MHz | 50 MHz<br>to<br>2 GHz | 2 GHz<br>to<br>10 GHz | 10 GHz<br>to<br>20 GHz | 20 GHz<br>to<br>30 GHz | 30 GHz<br>to<br>40 GHz | 40 GHz<br>to<br>50 GHz |
| Directivity           | 42                     | 42                    | 42                    | 42                     | 38                     | 38                     | 36                     |
| Source Match          | 41                     | 41                    | 38                    | 38                     | 33                     | 33                     | 31                     |
| Load Match            | 42                     | 42                    | 42                    | 42                     | 37                     | 37                     | 35                     |
| Reflection Tracking   |                        |                       |                       |                        |                        |                        |                        |
| Mag                   | $\pm 0.001$            | $\pm 0.001$           | $\pm 0.008$           | $\pm 0.008$            | $\pm 0.020$            | $\pm 0.020$            | $\pm 0.027$            |
| Phase ( $^\circ$ )    | $\pm 0.009$            | $\pm 0.009$           | $\pm 0.054$           | $\pm 0.054$            | $\pm 0.133$            | $\pm 0.133$            | $\pm 0.180$            |
| Transmission Tracking |                        |                       |                       |                        |                        |                        |                        |
| Mag                   | $\pm 0.045$            | $\pm 0.020$           | $\pm 0.036$           | $\pm 0.051$            | $\pm 0.123$            | $\pm 0.123$            | $\pm 0.162$            |
| Phase ( $^\circ$ )    | $\pm 0.300$            | $\pm 0.135$           | $\pm 0.236$           | $\pm 0.337$            | $\pm 0.811$            | $\pm 0.811$            | $\pm 1.068$            |

## Transmission Uncertainty, All Options

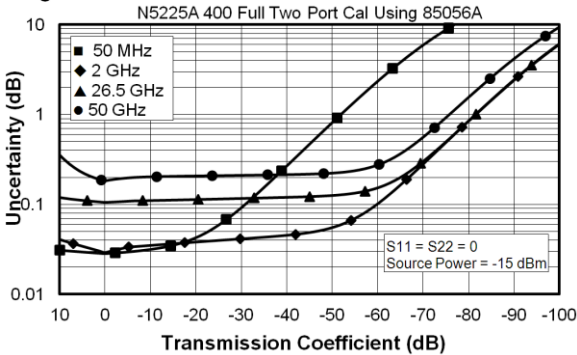
### Magnitude



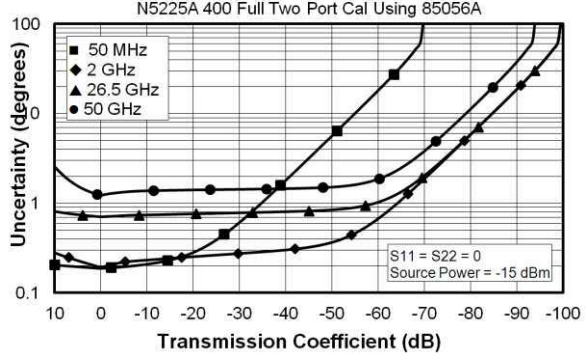
### Phase



### Magnitude

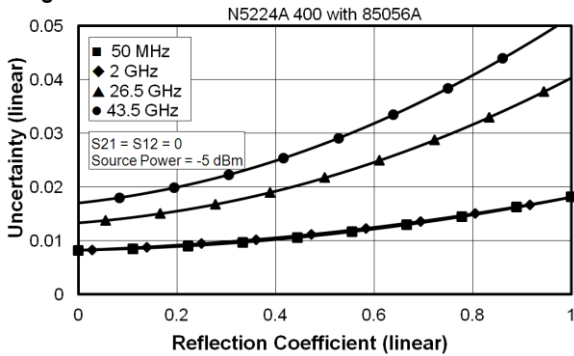


### Phase

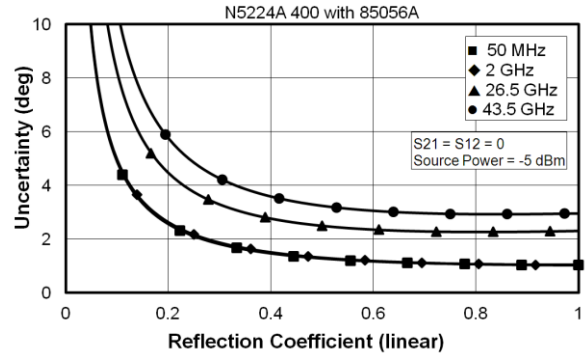


## Reflection Uncertainty, All Options

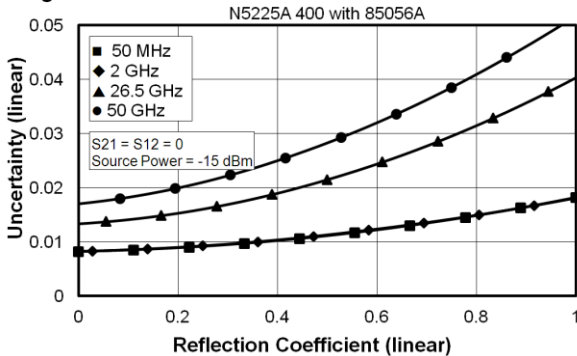
### Magnitude



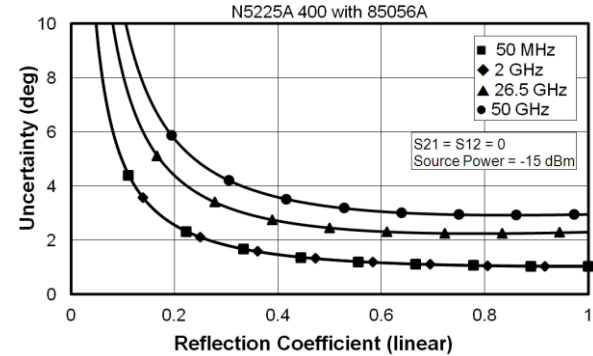
### Phase



### Magnitude



### Phase

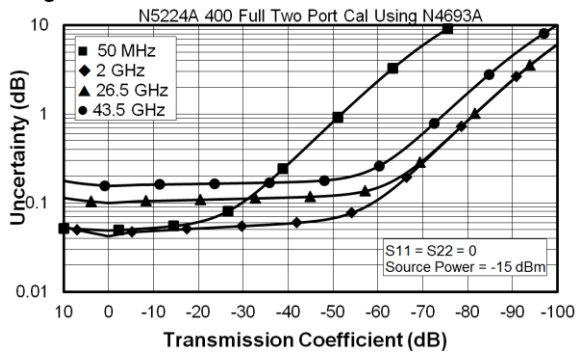


**Table 4b. N5224A and N5225A with N4693A 2-Port Electronic Calibration Module**

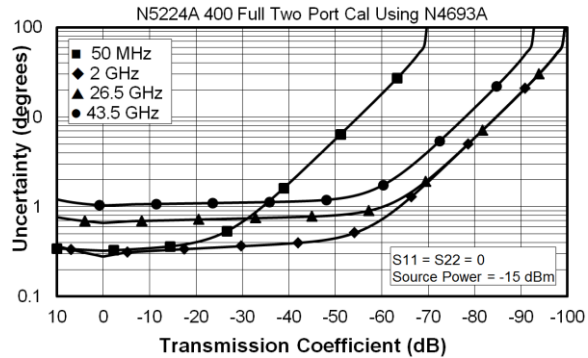
| Description           | Specification (dB) |                 |                 |                  |                  |                  |                  |
|-----------------------|--------------------|-----------------|-----------------|------------------|------------------|------------------|------------------|
|                       | 10 MHz to 50 MHz   | 50 MHz to 2 GHz | 2 GHz to 10 GHz | 10 GHz to 20 GHz | 20 GHz to 30 GHz | 30 GHz to 40 GHz | 40 GHz to 50 GHz |
| Directivity           | 32                 | 42              | 49              | 45               | 41               | 41               | 36               |
| Source Match          | 25                 | 44              | 42              | 37               | 35               | 35               | 32               |
| Load Match            | 25                 | 43              | 41              | 36               | 34               | 34               | 31               |
| Reflection Tracking   |                    |                 |                 |                  |                  |                  |                  |
| Mag                   | ±0.050             | ±0.030          | ±0.040          | ±0.050           | ±0.060           | ±0.060           | ±0.080           |
| Phase (°)             | ±0.330             | ±0.198          | ±0.264          | ±0.330           | ±0.396           | ±0.396           | ±0.528           |
| Transmission Tracking |                    |                 |                 |                  |                  |                  |                  |
| Mag                   | ±0.118             | ±0.038          | ±0.047          | ±0.065           | ±0.091           | ±0.091           | ±0.134           |
| Phase (°)             | ±0.781             | ±0.249          | ±0.309          | ±0.431           | ±0.598           | ±0.598           | ±0.885           |

## Transmission Uncertainty, All Options

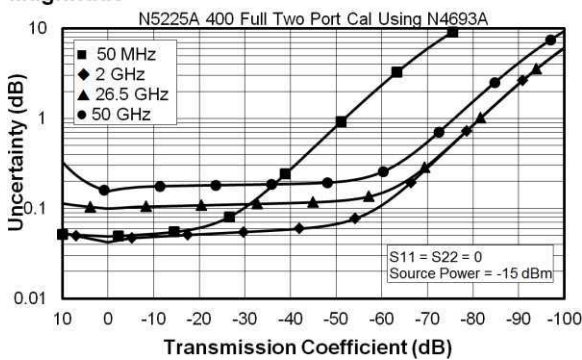
### Magnitude



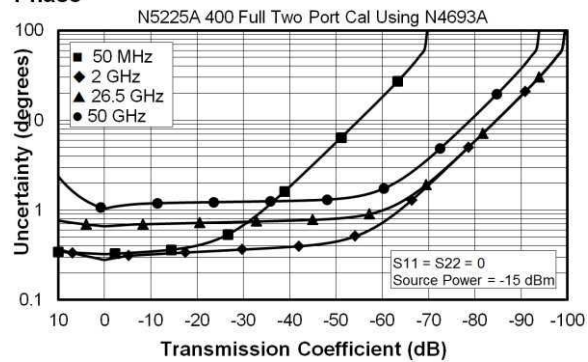
### Phase



### Magnitude

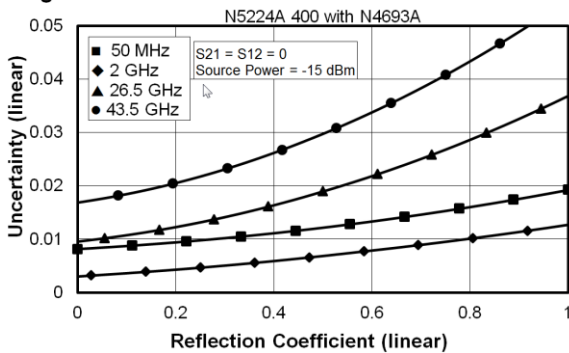


### Phase

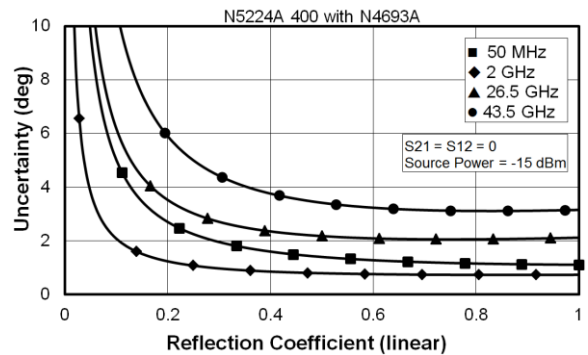


## Reflection Uncertainty, All Options

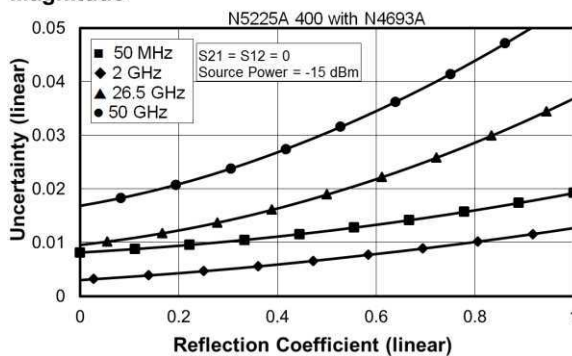
### Magnitude



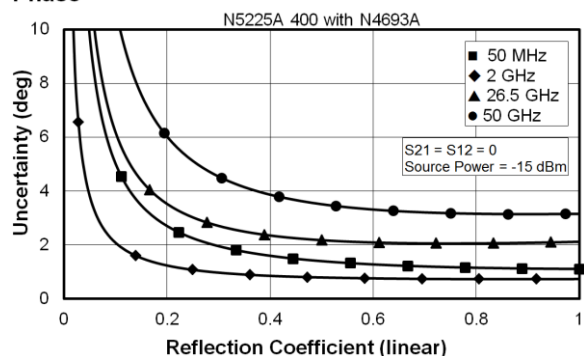
### Phase



### Magnitude



### Phase



## Uncorrected System Performance

Specifications apply to following conditions:

- Over environmental temperature of 25 °C ±5 °C, with less than 1°C variation from the calibration temperature.
- Cable loss not included in Transmission Tracking.
- Crosstalk measurement conditions: normalized to a thru, measured with shorts on all ports, 10 Hz IF bandwidth, averaging factor of 8, alternate mode, source power set to the specified maximum power.

**Table 5a. Error Terms (dB), All Ports, All Options - Specifications**

| Description          | Directivity | Source Match | Load Match | Transmission Tracking | Reflection Tracking | Crosstalk |
|----------------------|-------------|--------------|------------|-----------------------|---------------------|-----------|
| 10 MHz to 50 MHz     | 18          | 10           | 10         | --                    | --                  | --        |
| 50 MHz to 200 MHz    | 22          | 21           | 19         | --                    | --                  | --        |
| 200 MHz to 500 MHz   | 24          | 21           | 18         | --                    | --                  | --        |
| 500 MHz to 3.2 GHz   | 25          | 18           | 16         | --                    | --                  | --        |
| 3.2 GHz to 10 GHz    | 22          | 16           | 13         | --                    | --                  | --        |
| 10 GHz to 13.5 GHz   | 18          | 13           | 11         | --                    | --                  | --        |
| 13.5 GHz to 20 GHz   | 18          | 13           | 10         | --                    | --                  | --        |
| 20 GHz to 26.5 GHz   | 16          | 12           | 10         | --                    | --                  | --        |
| 26.5 GHz to 43.5 GHz | 16          | 8            | 8          | --                    | --                  | --        |
| 43.5 GHz to 50 GHz   | 15          | 7            | 8          | --                    | --                  | --        |

**Table 5b. Error Terms (dB), All Ports, All Options - Typical**

| <b>Description</b> | <b>Directivity</b> | <b>Source Match</b> | <b>Load Match</b> | <b>Transmission Tracking</b> | <b>Reflection Tracking</b> | <b>Crosstalk</b> |
|--------------------|--------------------|---------------------|-------------------|------------------------------|----------------------------|------------------|
| 10 MHz to 50 MHz   | 21                 | 15                  | 15                | +/- 1.0                      | +/- 0.7                    | -82              |
| 50 MHz to 200 MHz  | 28                 | 31                  | 26                | +/- 1.0                      | +/- 0.7                    | -85              |
| 200 MHz to 500 MHz | 33                 | 29                  | 24                | +/- 1.0                      | +/- 0.7                    | -110             |
| 500 MHz to 3.2 GHz | 30                 | 25                  | 20                | +/- 1.0                      | +/- 0.7                    | -120             |
| 3.2 GHz to 10 GHz  | 25                 | 22                  | 17                | +/- 1.0                      | +/- 0.7                    | -120             |
| 10 GHz to 13.5 GHz | 23                 | 21                  | 15                | +/- 1.0                      | +/- 0.7                    | -120             |
| 13.5 GHz to 16 GHz | 20                 | 20                  | 14                | +/- 1.0                      | +/- 0.7                    | -120             |
| 16 GHz to 20 GHz   | 19                 | 18                  | 16                | +/- 1.0                      | +/- 0.7                    | -120             |
| 20 GHz to 24 GHz   | 20                 | 17                  | 14                | +/- 1.0                      | +/- 0.7                    | -120             |
| 24 GHz to 26.5 GHz | 21                 | 17                  | 15                | +/- 1.0                      | +/- 0.7                    | -120             |
| 26.5 GHz to 35 GHz | 19                 | 15                  | 13                | +/- 1.0                      | +/- 0.7                    | -120             |
| 35 GHz to 43.5 GHz | 19                 | 15                  | 13                | +/- 1.0                      | +/- 0.7                    | -115             |
| 43.5 GHz to 46 GHz | 19                 | 14                  | 14                | +/- 1.0                      | +/- 0.7                    | -105             |
| 46 GHz to 50 GHz   | 19                 | 13                  | 13                | +/- 1.0                      | +/- 0.7                    | -100             |



## Test Port Output

See Block diagrams for all models and option beginning on page 45.

**Table 6. Frequency Information, All Options**

| Description            | Specification      | Typical   |
|------------------------|--------------------|---|
| N5224A Frequency Range | 10 MHz to 43.5 GHz | --  |
| N5225A Frequency Range | 10 MHz to 50 GHz   | --  |
| Frequency Resolution   | 1 Hz               | --  |
| Frequency Accuracy     | +/- 1 ppm          | --  |
| Frequency Stability    | --                 | +/-0.05 ppm, -10° to 70° C <sup>1</sup><br>+/-0.1 ppm/yr maximum <sup>2</sup> |

<sup>1</sup> Assumes no variation in time.

<sup>2</sup> Assumes no variation in temperature.

**Table 7a. Maximum Leveled Power (dBm), All Ports - Specification**

| Description        | Option 200, 400 | Option 201, 401 | Option 217, 417, 219, 419 |
|--------------------|-----------------|-----------------|---------------------------|
| 10 MHz to 50 MHz   | 12              | 12              | 10                        |
| 50 MHz to 16 GHz   | 13              | 13              | 11                        |
| 16 GHz to 26.5 GHz | 13              | 13              | 10                        |
| 26.5 GHz to 30 GHz | 13              | 12              | 9                         |
| 30 GHz to 32 GHz   | 13              | 11              | 7                         |
| 32 GHz to 35 GHz   | 13              | 12              | 9                         |
| 35 GHz to 43.5 GHz | 10              | 9               | 4                         |
| 43.5 GHz to 47 GHz | 6               | 5               | -1                        |
| 47 GHz to 50 GHz   | -2              | -5              | -11                       |

**Table 7b. Maximum Leveled Power (dBm), All Ports - Typical**

| Description        | Option 200, 400 | Option 201, 401 | Option 217, 417, 219, 419 |
|--------------------|-----------------|-----------------|---------------------------|
| 10 MHz to 1 GHz    | 18              | 18              | 18                        |
| 1 GHz to 2 GHz     | 19              | 19              | 19                        |
| 2 GHz to 3.2 GHz   | 18              | 18              | 17                        |
| 3.2 GHz to 10 GHz  | 20              | 20              | 20                        |
| 10 GHz to 13.5 GHz | 18              | 18              | 17                        |
| 13.5 GHz to 16 GHz | 20              | 19              | 18                        |
| 16 GHz to 20 GHz   | 18              | 18              | 17                        |
| 20 GHz to 24 GHz   | 18              | 18              | 16                        |
| 24 GHz to 26.5 GHz | 18              | 17              | 15                        |
| 26.5 GHz to 30 GHz | 19              | 18              | 16                        |
| 30 GHz to 35 GHz   | 18              | 17              | 14                        |
| 35 GHz to 43.5 GHz | 15              | 14              | 11                        |
| 43.5 GHz to 47 GHz | 12              | 10              | 7                         |
| 47 GHz to 50 GHz   | 8               | 5               | 4                         |

**Table 8. Power Level Accuracy (dB), All Options**

| Description          | Specification | Typical |
|----------------------|---------------|---------|
| 10 MHz to 1 GHz      | +/- 1.0       | +/- 0.4 |
| 1 GHz to 3.2 GHz     | +/- 1.2       | +/- 0.1 |
| 3.2 GHz to 13.5 GHz  | +/- 1.5       | +/- 0.3 |
| 13.5 GHz to 20 GHz   | +/- 1.5       | +/- 0.2 |
| 20 GHz to 26.5 GHz   | +/- 1.8       | +/- 0.2 |
| 26.5 GHz to 43.5 GHz | +/- 2.2       | +/- 0.3 |
| 43.5 GHz to 50 GHz   | +/- 3.2       | +/- 0.5 |

**Table 9a. Power Level Linearity (dB), All Options - Specification**

| Description       | Port 1 or 3 <sup>1</sup><br>-25dBm ≤ P < -20dBm | Port 1 or 3 <sup>1</sup><br>-20dBm ≤ P < -15dBm | Port 1 or 3 <sup>1</sup><br>P ≥ -15dBm |
|-------------------|---|---|--|
| 10 MHz to 50 MHz  | +/-2.5  | +/-1.5  | +/-1.5                                 |
| 50 MHz to 500 MHz | +/-2.0  | +/-1.5  | +/-1.5                                 |
| 500 MHz to 50 GHz | +/-1.5  | +/-1.5  | +/-1.5                                 |

<sup>1</sup> Either port can be used as the source port.

**Table 9b. Power Level Linearity (dB), All Options - Specification**

| Description       | Port 2 or 4 <sup>1</sup><br>-25dBm ≤ P < -20dBm | Port 2 or 4 <sup>1</sup><br>-20dBm ≤ P < -15dBm | Port 2 or 4 <sup>1</sup><br>P ≥ -15dBm |
|-------------------|---|---|--|
| 10 MHz to 50 MHz  | +/-2.5  | +/-1.5  | +/-1.5                                 |
| 50 MHz to 3.2 GHz | +/-2.0  | +/-1.5  | +/-1.5                                 |
| 3.2 GHz to 50 GHz | +/-1.5  | +/-1.5  | +/-1.5                                 |

<sup>1</sup> Either port can be used as the source port.

**Table 10a. Power Sweep Range (dB), All Ports - Specification**

| Description        | Option 200, 400 | Option 201, 401 | Option 217, 219, 417, 419 |
|--------------------|-----------------|-----------------|---------------------------|
| 10 MHz to 50 MHz   | 37              | 37              | 35                        |
| 50 MHz to 16 GHz   | 38              | 38              | 36                        |
| 16 GHz to 26.5 GHz | 38              | 38              | 35                        |
| 26.5 GHz to 30 GHz | 38              | 37              | 34                        |
| 30 GHz to 32 GHz   | 38              | 36              | 32                        |
| 32 GHz to 35 GHz   | 38              | 37              | 34                        |
| 35 GHz to 43.5 GHz | 35              | 34              | 29                        |
| 43.5 GHz to 47 GHz | 31              | 30              | 24                        |
| 47 GHz to 50 GHz   | 23              | 20              | 14                        |

**Table 10b. N5224 and N5225A Power Sweep Range (dB), All Ports - Typical**

| Description        | Option 200, 400 | Option 201, 401 | Option 217, 219, 417, 419 |
|--------------------|-----------------|-----------------|---------------------------|
| 10 MHz to 1 GHz    | 45              | 45              | 45                        |
| 1 GHz to 2 GHz     | 46              | 46              | 46                        |
| 2 GHz to 3.2 GHz   | 45              | 45              | 44                        |
| 3.2 GHz to 10 GHz  | 47              | 47              | 47                        |
| 10 GHz to 13.5 GHz | 45              | 45              | 44                        |
| 13.5 GHz to 16 GHz | 47              | 46              | 45                        |
| 16 GHz to 20 GHz   | 45              | 45              | 44                        |
| 20 GHz to 24 GHz   | 45              | 45              | 43                        |
| 24 GHz to 26.5 GHz | 45              | 44              | 42                        |
| 26.5 GHz to 30 GHz | 46              | 45              | 43                        |
| 30 GHz to 35 GHz   | 45              | 44              | 41                        |
| 35 GHz to 43.5 GHz | 42              | 41              | 38                        |
| 43.5 GHz to 47 GHz | 39              | 37              | 34                        |
| 47 GHz to 50 GHz   | 35              | 32              | 31                        |

**Table 11. Nominal (Preset) Power (dBm)**

| Description               | N5224A | N5225A |
|---------------------------|--------|--------|
| Option 200, 201, 400, 401 | 0      | -5     |
| Option 217, 219, 417, 419 | -5     | -15    |

**Table 12. Power Resolution and Maximum/Minimum Settable Power, All Models and Options**

| Description               | Specification (dB) | Typical (dBm) |
|---------------------------|--------------------|---------------|
| Power Resolution          | 0.01               |               |
| Maximum Settable Power    | --                 | 30            |
| Minimum Settable Power    |                    |               |
| Option 200, 201, 400, 401 | --                 | -30           |
| Option 217, 219, 417, 419 | --                 | -90           |

**Table 13. 2<sup>nd</sup> and 3<sup>rd</sup> Harmonics at Max Specified Power (dBc) All Options - Typical**

Listed frequency is harmonic frequency; test at max specified power

| Description          | N5224A | N5225A |
|----------------------|--------|--------|
| 20 MHz to 4 GHz      | -15    | -15    |
| 4 GHz to 6 GHz       | -18    | -18    |
| 6 GHz to 24 GHz      | -19    | -19    |
| 24 GHz to 27 GHz     | -21    | -21    |
| 27 GHz to 40.5 GHz   | -29    | -29    |
| 40.5 GHz to 43.5 GHz | -60    | -60    |
| 43.5 GHz to 50 GHz   | --     | -60    |

**Table 14. Non-Harmonic Spurs at Nominal Power (dBc), All Models and Options - Typical**

Offset frequency = 30 kHz to 5 MHz

| Description       | Based on 8kHz offset Frac-N | Based on 100kHz offset Frac-N |
|-------------------|-----------------------------|-------------------------------|
| 10 MHz to 500 MHz | -50                         | -50                           |
| 500 MHz to 2 GHz  | -60                         | -42                           |
| 2 GHz to 4 GHz    | -57                         | -45                           |
| 4 GHz to 8 GHz    | -51                         | -39                           |
| 8 GHz to 16 GHz   | -45                         | -33                           |
| 16 GHz to 32 GHz  | -39                         | -27                           |
| 32 GHz to 50 GHz  | -33                         | -21                           |

**Table 15. Phase Noise (dBc/Hz), All Options - Typical**

| Description      | 1 kHz Offset | 10 kHz Offset | 100 kHz Offset | 1 MHz Offset |
|------------------|--------------|---------------|----------------|--------------|
| 10 MHz to 50 MHz | -100         | -95           | -95            | -120         |
| 50 MHz to 1 GHz  | -107         | -117          | -112           | -127         |
| 1 GHz to 2 GHz   | -101         | -111          | -106           | -121         |
| 2 GHz to 4 GHz   | -95          | -105          | -100           | -115         |
| 4 GHz to 8 GHz   | -89          | -99           | -94            | -109         |
| 8 GHz to 16 GHz  | -83          | -93           | -88            | -103         |
| 16 GHz to 32 GHz | -77          | -87           | -82            | -97          |
| 32 GHz to 50 GHz | -71          | -81           | -76            | -91          |

## Test Port Input

**Table 16. Test Port Noise Floor (dBm) @ 10 Hz IFBW, All Options**

Total average (rms) noise power calculated as the mean value of a linear magnitude trace expressed in dBm.

May typically be degraded at particular frequencies below 500 MHz due to spurious receiver residuals.

| Description        | Specification |        | Typical |        |
|--------------------|---------------|--------|---------|--------|
|                    | N5224A        | N5225A | N5224A  | N5225A |
| 10 MHz to 50 MHz   | -70           | -70    | -75     | -75    |
| 50 MHz to 100 MHz  | -85           | -85    | -91     | -91    |
| 100 MHz to 250 MHz | -95           | -95    | -100    | -100   |
| 250 MHz to 500 MHz | -102          | -102   | -107    | -107   |
| 500 MHz to 1 GHz   | -106          | -106   | -112    | -112   |
| 1 GHz to 10 GHz    | -114          | -114   | -118    | -118   |
| 10 GHz to 26.5 GHz | -114          | -114   | -120    | -120   |
| 26.5 GHz to 35 GHz | -110          | -110   | -116    | -116   |
| 35 GHz to 40 GHz   | -108          | -108   | -116    | -116   |
| 40 GHz to 43.5 GHz | -108          | -108   | -114    | -114   |
| 43.5 GHz to 50 GHz | --            | -109   | --      | -116   |

**Table 17. Direct Receiver Access Input Noise Floor (dBm), Option 201, 217, 219, 401, 417, 419**

Total average (rms) noise power calculated as the mean value of a linear magnitude trace expressed in dBm.

May typically be degraded at particular frequencies below 500 MHz due to spurious receiver residuals.

| Description        | Specification |        | Typical |        |
|--------------------|---------------|--------|---------|--------|
|                    | N5224A        | N5225A | N5224A  | N5225A |
| 10 MHz to 50 MHz   | -105          | -105   | -119    | -119   |
| 50 MHz to 100 MHz  | -105          | -105   | -121    | -121   |
| 100 MHz to 250 MHz | -107          | -107   | -121    | -121   |
| 250 MHz to 500 MHz | -114          | -114   | -128    | -128   |
| 500 MHz to 1 GHz   | -118          | -118   | -133    | -133   |
| 1 GHz to 10 GHz    | -126          | -126   | -133    | -133   |
| 10 GHz to 20 GHz   | -126          | -126   | -135    | -135   |
| 20 GHz to 26.5 GHz | -124          | -124   | -134    | -134   |
| 26.5 GHz to 35 GHz | -120          | -120   | -130    | -130   |
| 35 GHz to 40 GHz   | -118          | -118   | -130    | -130   |
| 40 GHz to 43.5 GHz | -116          | -116   | -125    | -125   |
| 43.5 GHz to 50 GHz | --            | -117   | --      | -127   |

**Table 18a. 0.1 dB Receiver Compression at Test Port (dBm), Option 201, 217, 219, 401, 417, 419 - Typical**

| Description        | N5224A | N5225A |
|--------------------|--------|--------|
| 10 MHz to 100 MHz  | 15     | 15     |
| 100 MHz to 40 GHz  | 12     | 12     |
| 40 GHz to 43.5 GHz | 10     | 10     |
| 43.5 GHz to 50 GHz | --     | 10     |

**Table 18b. Receiver Compression at Test Power - Specification**

| Description                    | Test Port Power (dBm) |                    |                    |                    | Receiver Compression |                 |
|--------------------------------|-----------------------|--------------------|--------------------|--------------------|----------------------|-----------------|
|                                | Option<br>200, 400    | Option<br>201, 401 | Option<br>217, 417 | Option<br>219, 419 | Magnitude (dB)       | Phase (degrees) |
| 10 MHz to 500 MHz <sup>1</sup> | --                    | --                 | --                 | --                 | --                   | --              |
| 500 MHz to 10 GHz              | 11                    | 13                 | 11                 | 11                 | 0.15                 | 1.5             |
| 10 GHz to 16 GHz               | 10                    | 13                 | 11                 | 11                 | 0.15                 | 1.5             |
| 16 GHz to 20 GHz               | 10                    | 13                 | 10                 | 10                 | 0.15                 | 1.5             |
| 20 GHz to 26.5 GHz             | 9                     | 13                 | 10                 | 10                 | 0.18                 | 1.5             |
| 26.5 GHz to 30 GHz             | 9                     | 12                 | 9                  | 9                  | 0.18                 | 1.5             |
| 30 GHz to 32 GHz               | 9                     | 11                 | 8                  | 8                  | 0.18                 | 1.5             |
| 32 GHz to 35 GHz               | 9                     | 10                 | 9                  | 9                  | 0.18                 | 1.5             |
| 35 GHz to 43.5 GHz             | 5                     | 9                  | 8                  | 8                  | 0.18                 | 1.5             |
| 43.5 GHz to 47 GHz             | 1                     | 8                  | 8                  | 8                  | 0.2                  | 1.5             |
| 47 GHz to 50 GHz               | -5                    | 8                  | 8                  | 8                  | 0.2                  | 1.5             |

<sup>1</sup>Test port receiver compression at specified input levels below 500 MHz due to coupler roll off in this frequency range.

**Table 19. Trace Noise Magnitude (dB rms)**

Ratioed measurement, nominal power at test port.

| Description          | Specification | Typical    |              |              |
|----------------------|---------------|------------|--------------|--------------|
|                      | 1 kHz IFBW    | 1 kHz IFBW | 100 kHz IFBW | 600 kHz IFBW |
| 10 MHz to 50 MHz     | 0.200         | 0.071      | 0.667        | 1.612        |
| 50 MHz to 100 MHz    | 0.020         | 0.009      | 0.088        | 0.209        |
| 100 MHz to 500 MHz   | 0.020         | 0.004      | 0.040        | 0.098        |
| 500 MHz to 1 GHz     | 0.003         | 0.001      | 0.009        | 0.022        |
| 1 GHz to 26.5 GHz    | 0.003         | 0.001      | 0.006        | 0.015        |
| 26.5 GHz to 43.5 GHz | 0.003         | 0.001      | 0.009        | 0.021        |
| 43.5 GHz to 50 GHz   | 0.004         | 0.002      | 0.007        | 0.018        |



**Table 20. Trace Noise Phase (deg rms)**

Ratiod measurement, nominal power at test port.

| Description          | Specification | Typical    |              |              |
|----------------------|---------------|------------|--------------|--------------|
|                      | 1 kHz IFBW    | 1 kHz IFBW | 100 kHz IFBW | 600 kHz IFBW |
| 10 MHz to 50 MHz     | 1.000         | 0.485      | 4.681        | 11.310       |
| 50 MHz to 100 MHz    | 1.000         | 0.062      | 0.614        | 1.456        |
| 100 MHz to 500 MHz   | 0.500         | 0.029      | 0.276        | 0.680        |
| 500 MHz to 1 GHz     | 0.020         | 0.006      | 0.061        | 0.149        |
| 1 GHz to 26.5 GHz    | 0.020         | 0.008      | 0.040        | 0.100        |
| 26.5 GHz to 43.5 GHz | 0.030         | 0.014      | 0.067        | 0.159        |
| 43.5 GHz to 50 GHz   | 0.030         | 0.015      | 0.061        | 0.142        |

**Table 21. Reference Level Magnitude, All Models and Options - Specification**

| Description | Magnitude (dB) | Phase (degrees) |
|-------------|----------------|-----------------|
| Range       | +/- 500        | +/- 500         |
| Resolution  | 0.001          | 0.01            |

**Table 22. Stability, All Options - Typical**

| Description        | Magnitude (dB/°C) | Phase (°/°C) |
|--------------------|-------------------|--------------|
| 10 MHz to 50 MHz   | 0.020             | 0.200        |
| 50 MHz to 3.2 GHz  | 0.010             | 0.100        |
| 3.2 GHz to 10 GHz  | 0.010             | 0.200        |
| 10 GHz to 16 GHz   | 0.010             | 0.250        |
| 16 GHz to 20 GHz   | 0.015             | 0.300        |
| 20 GHz to 26.5 GHz | 0.015             | 0.400        |
| 26.5 GHz to 35 GHz | 0.020             | 0.600        |
| 35 GHz to 43.5 GHz | 0.020             | 0.650        |
| 43.5 GHz to 47 GHz | 0.025             | 0.700        |
| 47 GHz to 50 GHz   | 0.027             | 0.750        |

**Table 23. Damage Input Level, All ports**

| Description | Option 200, 201, 219, 400, 401, 419 | Option 217, 417 |
|-------------|-------------------------------------|-----------------|
| RF, DC      | 27 dBm, 40 V                        | 27 dBm, 7 V     |

## Dynamic Accuracy

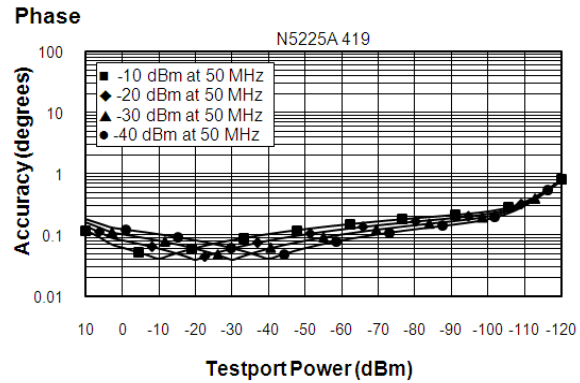
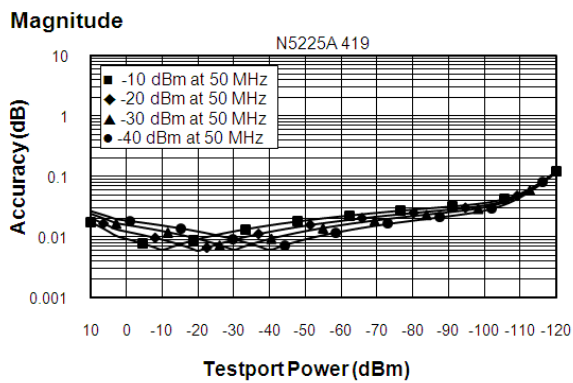
Dynamic accuracy is verified with the following measurements:

Compression over frequency

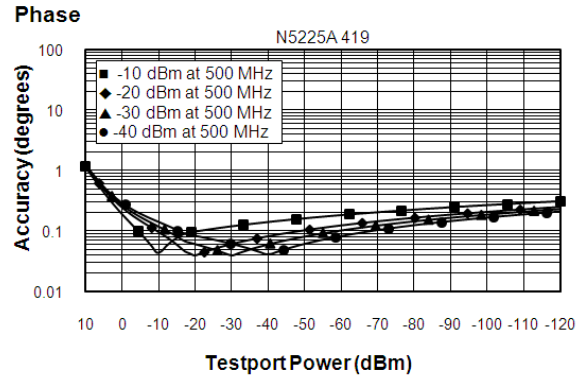
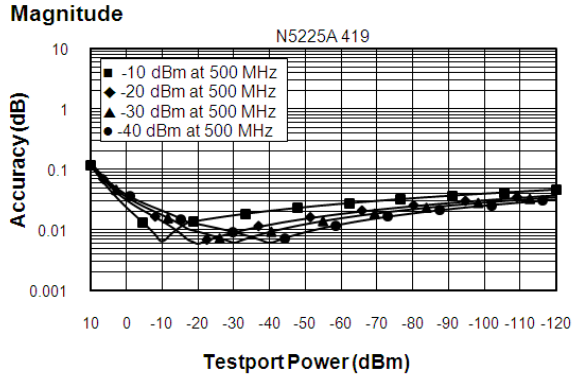
IF linearity at a single frequency of 1.998765GHz using a reference level of -20 dBm for an input power range of 0 to -60 dBm. For values below -60 dBm, refer to "[VNA Receiver Dynamic Accuracy Specifications and Uncertainties](#)"

**Table 24. N5224A and N5225A Dynamic Accuracy**

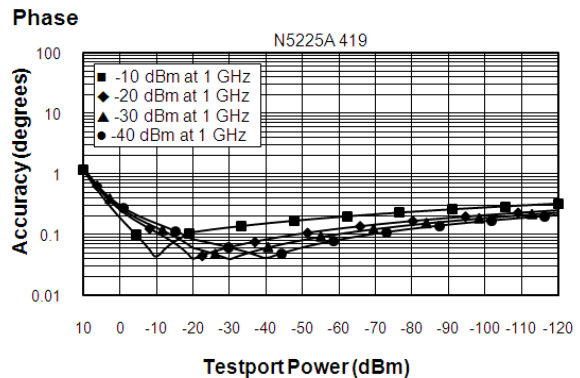
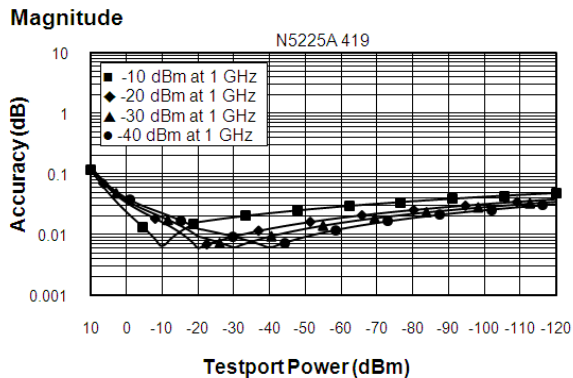
### N5224A/25A Dynamic Accuracy, 10 MHz to 50 MHz - Specification



### N5224A/25A Dynamic Accuracy, 50 MHz to 500 MHz - Specification

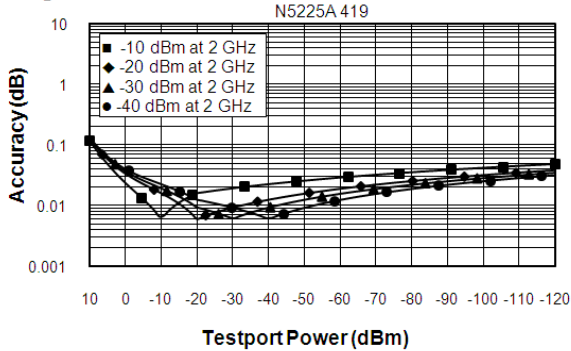


### N5224A/25A Dynamic Accuracy, 500 MHz to 1 GHz - Specification

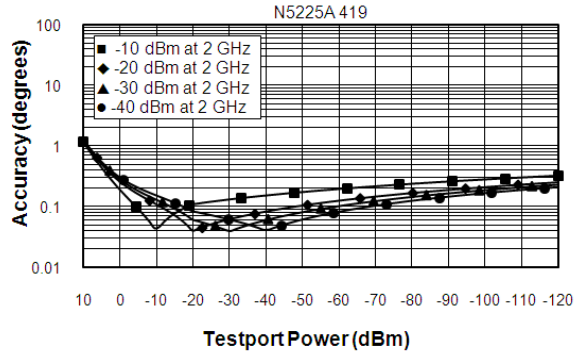


### N5224A/25A Dynamic Accuracy, 1 GHz to 2 GHz - Specification

Magnitude

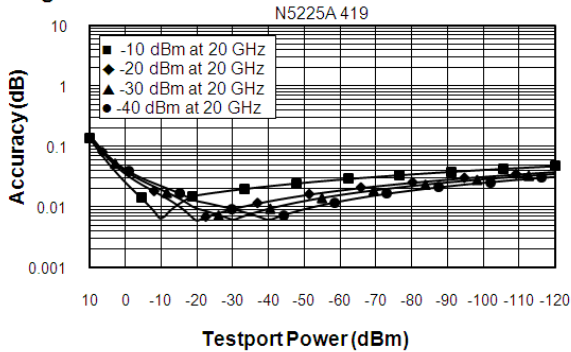


Phase

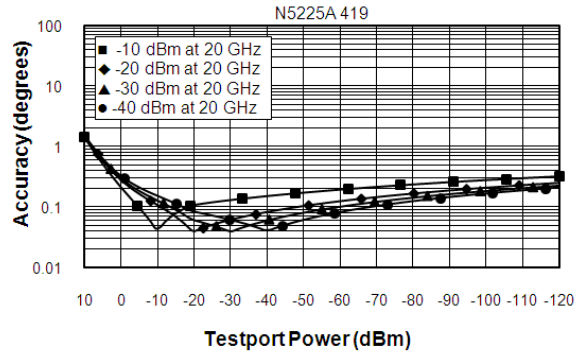


### N5224A/25A Dynamic Accuracy, 2 GHz to 20 GHz - Specification

Magnitude

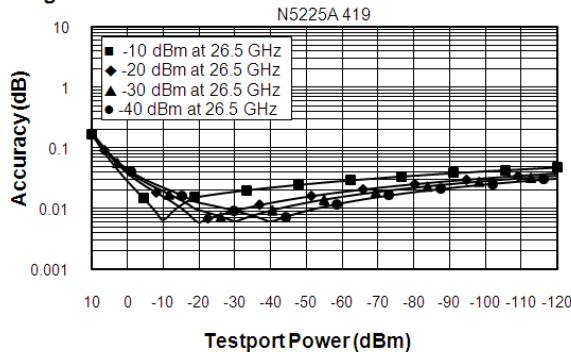


Phase

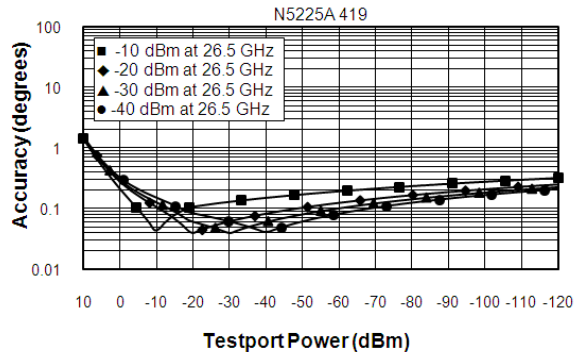


### N5224A/25A Dynamic Accuracy, 20 GHz to 26.5 GHz - Specification

Magnitude

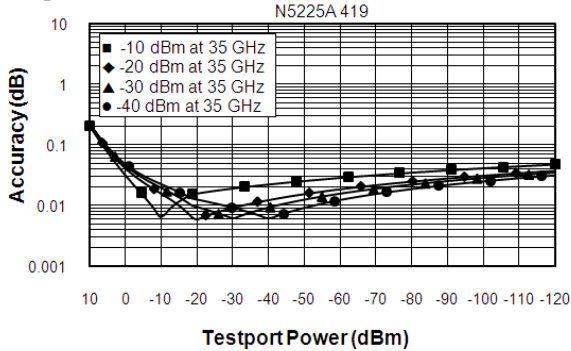


Phase

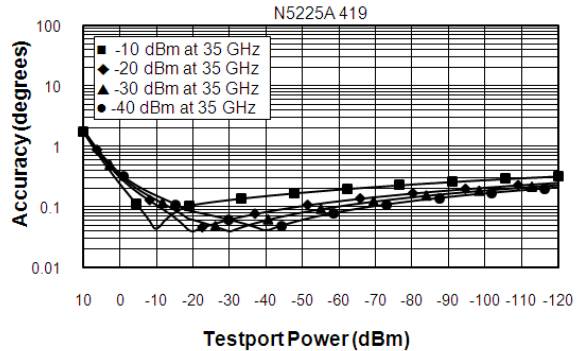


### N5224A/25A Dynamic Accuracy, 26.5 GHz to 35 GHz - Specification

Magnitude

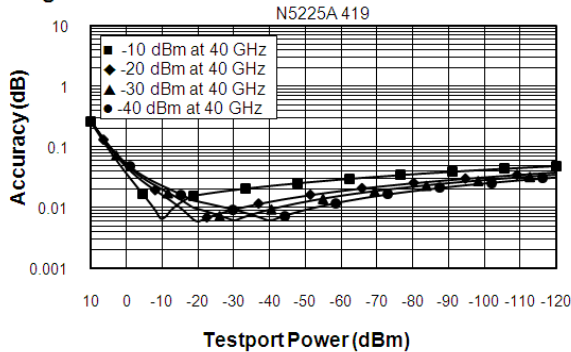


Phase

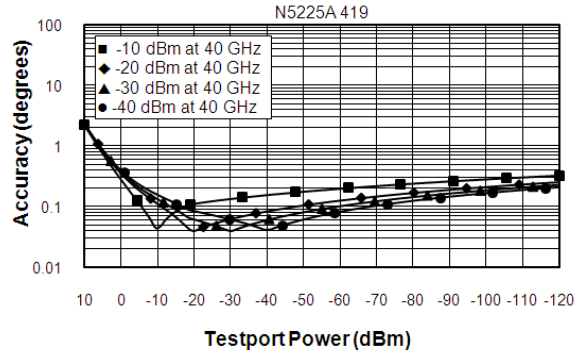


### N5224A/25A Dynamic Accuracy, 35 GHz to 40 GHz - Specification

Magnitude

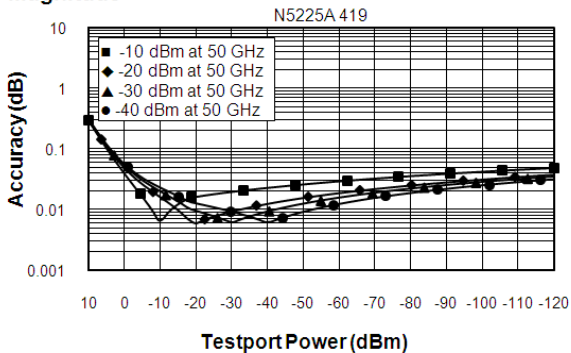


Phase

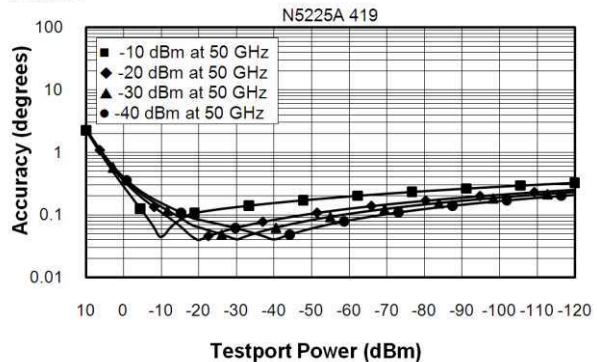


### N5224A/25A Dynamic Accuracy, 40 GHz to 50 GHz - Specification

Magnitude



Phase



**Table 25. Group Delay - Typical**

Group delay is computed by measuring the phase change within a specified frequency step (determined by the frequency span and the number of points per sweep). In general, the following formula can be used to determine the accuracy, in seconds, of specific group delay measurement:

$$\pm \text{Phase Accuracy (deg)} / [360 \times \text{Aperture (Hz)}]$$

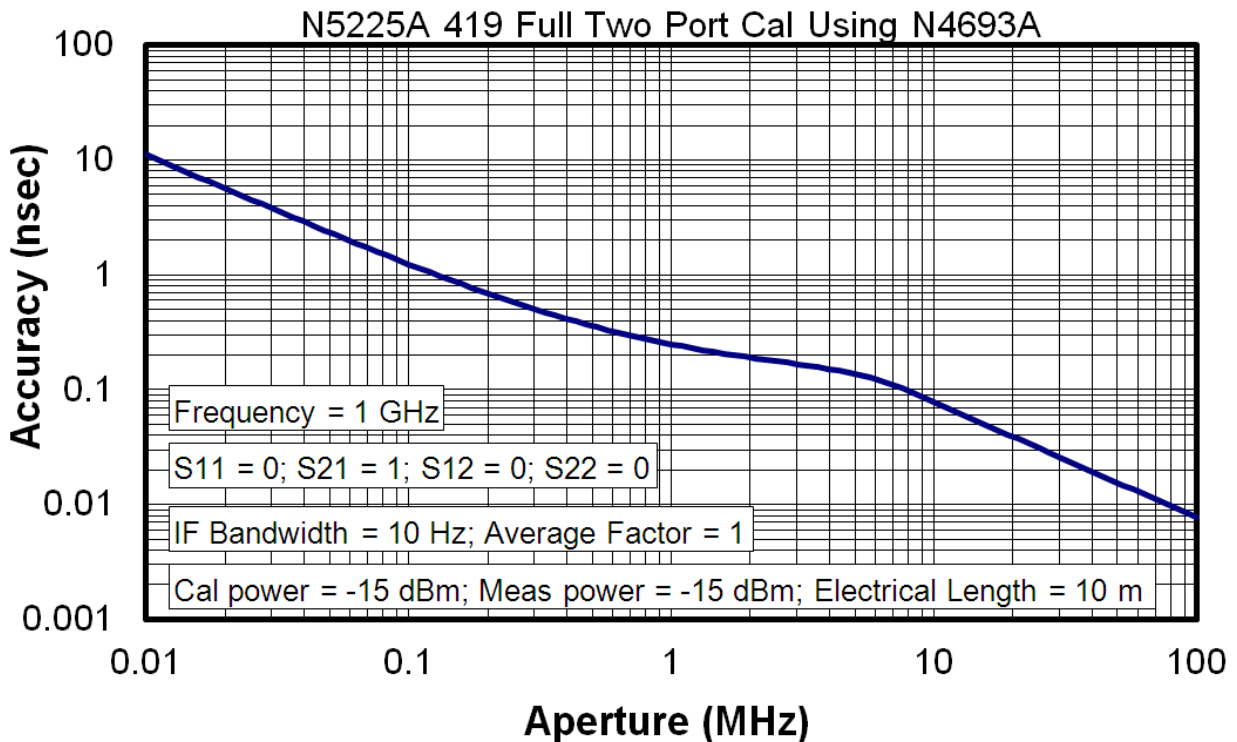
Depending on the aperture and device length, the phase accuracy used is either incremental phase accuracy or worst-case phase accuracy

| Description           | Typical Performance  |
|-----------------------|--|
| Aperture (selectable) | (frequency span)/(number of points -1)   |
| Maximum Aperture      | 20% of frequency span  |
| Range                 | 0.5 x (1/minimum aperture)   |
| Maximum Delay         | Limited to measuring no more than 180° of phase change within the minimum aperture.) |

The following graphs show characteristic group delay accuracy with full 2-port calibration and a 10 Hz IF bandwidth. Insertion loss is assumed to be < 2 dB and electrical length to be ten meters.

For any  $S_{ij}$  Group Delay measurement,  $S_{ii} = 0$ ,  $S_{ij} = 1$ ,  $S_{ji} = 0$ ,  $S_{kl} = 0$  for all  $kl \neq ij$

## Group Delay (Typical)



## General Information

- [Miscellaneous Information](#)
- [Front Panel](#)
- [Rear Panel](#)
- [Environment and Dimensions](#)

**Table 26. Miscellaneous Information**

| Description               | Supplemental Information   |
|---------------------------|--|
| System IF Bandwidth Range | 1 Hz to 15 MHz, nominal  |
| CPU                       | Intel 2.0 GHz Core i7. <b>Note:</b> Some instruments may have a different CPU. For the latest information on CPUs and associated hard drives, visit: <a href="http://na.tm.agilent.com/pna/hdnumbers.html">http://na.tm.agilent.com/pna/hdnumbers.html</a> |
| LXI                       | Class C  |

**Table 27. Front Panel Information, All Options**

| Description                             | Typical Performance   |
|---|---|
| <b>RF Connectors</b>                    |   |
| Type                                    | 2.4 mm (male), 50 ohm, (nominal)  |
| Center Pin Recession                    | 0.002 in. (characteristic)  |
| <b>USB 2.0 Ports - Master (4 ports)</b> |   |
| Standard                                | Compatible with USB 2.0   |
| Connector                               | USB Type-A female   |
| <b>Display</b>                          |   |
| Size                                    | 26.3 cm (10.4 in) diagonal color active matrix LCD; 1024 (horizontal) X 768 (vertical) resolution   |
| Refresh Rate                            | Vertical 60 Hz; Horizontal 46.08 kHz  |
| Pixels                                  | Any of the following would cause a display to be considered faulty: <ul style="list-style-type: none"><li>• A complete row or column consists of “stuck” or “dark” pixels.</li><li>• More than six “stuck on” pixels (but not more than three green) or more than 0.002% of the total pixels are within the LCD specifications.</li><li>• More than twelve “dark” pixels (but no more than seven of the same color) or more than 0.004% of the total pixels are within the LCD specifications.</li><li>• Two or more consecutive “stuck on” pixels or three or more consecutive “dark” pixel (but no more than one set of two consecutive dark pixels)</li><li>• “Stuck on” “dark” pixels are less than 6.5 mm apart (excluding consecutive pixels)</li></ul> |

**Table 27. (Continued) Front Panel Information, All Options**

| Description               | Typical Performance                 |
|---------------------------|-------------------------------------|
| <b>Display Range</b>      |                                     |
| Magnitude                 | +/-2500 dB (at 500 dB/div), max     |
| Phase                     | +/-2500° (at 500 dB/div), max       |
| Polar                     | 10 pUnits, min<br>10,000 Units, max |
| <b>Display Resolution</b> |                                     |
| Magnitude                 | 0.001 dB/div, min                   |
| Phase                     | 0.01°/div, min                      |
| <b>Marker Resolution</b>  |                                     |
| Magnitude                 | 0.001 dB, min                       |
| Phase                     | 0.01°, min                          |
| Polar                     | 10 pUnit, min                       |

**Table 28. Rear Panel Information, All Options**

| Description                 | Typical Performance      |
|-----------------------------|--------------------------|
| <b>10 MHz Reference In</b>  |                          |
| Connector                   | BNC, female              |
| Input Frequency             | 10 MHz ± 10 ppm          |
| Input Level                 | -15 dBm to +20 dBm       |
| Input Impedance             | 200 Ω, nom.              |
| <b>10 MHz Reference Out</b> |                          |
| Connector                   | BNC, female              |
| Output Frequency            | 10 MHz ± 1 ppm           |
| Signal Type                 | Sine Wave                |
| Output Level                | +10 dBm ± 4 dB into 50 Ω |
| Output Impedance            | 50 Ω, nominal            |
| Harmonics                   | <-40 dBc, typical        |

**Table 28. (Continued) Rear Panel Information, All Options**

| <b>Description</b>                                 | <b>Typical Performance</b>   |
|--|--|
| <b>External IF Inputs</b>                          |  |
| Function   | Allows use of external IF signals from remote mixers, bypassing the PNA's first converters |
| Connectors   | SMA (female); A, B, C, D, R (4-port); A, B, R1, R2 (2-port)                                |
| Input Frequency                                    |  |
| Normal IF path                                     | RF < 53 MHz: IF = 826.446 KHz<br>RF >= 53 MHz: IF = 7.438 MHz                              |
| Narrowband IF path                                 | IF = 10.70 MHz   |
| Input Impedance                                    | 50 $\Omega$  |
| RF Damage Level                                    | +23 dBm  |
| DC Damage Level                                    | 5.5 VDC  |
| 0.1 dB Compression Point                           |  |
| Normal IF path                                     | -9.0 dBm at 7.438 MHz  |
| Narrowband IF path                                 | -17 dBm at 10.70 MHz   |
| <b>Pulse Inputs (IF Gates)</b>                     |  |
| Function   | Internal receiver gates used for point-in-pulse and pulse-profile measurements             |
| Connectors   | 15-pin mini D-sub  |
| Input Impedance                                    | 1 K Ohm  |
| Minimum Pulse Width,<br>Source Modulators          | 33 ns  |
| Minimum Pulse Width,<br>Receiver Gates             | 20 ns  |
| DC Damage Level                                    | 5.5 VDC  |
| Drive Voltage                                      | 0 V (off), +3.3 V (on), nominal  |
| <b>RF Pulse Modulator Input (Source Modulator)</b> |  |
| <b>On/Off Ratio</b>                                |  |
| 10 MHz to 3.2 GHz                                  | -64  |
| 3.2 GHz to 50 GHz                                  | -80  |
| <b>Pulse Period</b>                                |  |
| Minimum  | 33 ns  |
| Maximum  | 70 s   |



**Table 28. (Continued) Rear Panel Information, All Options**

| <b>Description</b>   | <b>Typical Performance</b>                        |                                   |
|--|---|-----------------------------------|
| <b>Pulse Outputs</b>   |   |                                   |
| Voltage (TTL)  | High: 3.3V to 3.5V<br>Low: <1V                    |                                   |
| Impedance  | 50 Ohm  |                                   |
| <b>External Test Set Driver</b>  |   |                                   |
| Function   | Used for driving remote mixers                    |                                   |
| Connections  | 3.5 mm (female)                                   |                                   |
| RF Output Frequency Range  | 3.2 GHz to 19 GHz                                 |                                   |
| LO Output Frequency Range  | 1.76 GHz to 26.5 GHz                              |                                   |
| <b>Rear Panel LO Power<sup>1</sup></b>   |   |                                   |
|  | <b>Upper Limit, Typical (dBm)</b>                 | <b>Lower Limit, Typical (dBm)</b> |
| 1.7 GHz to 6.78 GHz  | 5   | -3                                |
| 6.78 GHz to 15.5 GHz   | 0   | -6                                |
| 15.5 GHz to 26.5 GHz   | 4   | -5                                |
| <b>Rear Panel RF Power</b>   |   |                                   |
|  | <b>Upper Limit, Typical (dBm)</b>                 | <b>Lower Limit, Typical (dBm)</b> |
| 3.2 GHz to 19 GHz  | -3  | -8                                |
| <b>VGA Video Output</b>  |   |                                   |
| Connector  | 15-pin mini D-Sub; Drives VGA compatible monitors |                                   |
| <b>Devices Supported</b>   | <b>Resolutions</b>                                |                                   |
| Flat Panel (TFT)   | 1024 X 768, 800 X 600, 640 X 480                  |                                   |
| Flat Panel (DSTN)  | 800 X 600, 640 X 480                              |                                   |
| CRT Monitor  | 1280 X 1024, 1024 X 768, 800 X 600, 640 X 480     |                                   |
| Simultaneous operation of the internal and external displays is allowed, but with 640 X 480 resolution only. If you change resolution, you can only view the external display (internal display will "white out"). |   |                                   |

<sup>1</sup> LO output available in full analyzer's frequency range. The power is tested only from 3.2 GHz to 26.5 GHz.

**Table 28. (Continued) Rear Panel Information, All Options**

| <b>Description</b>     | <b>Typical Performance</b>  |
|------------------------|---|
| <b>Bias Tee Inputs</b> |   |
| Connectors             | BNC(f) for ports 1, 2, 3 and 4  |
| Fuse                   | 500 mA, bi-pin style  |
| Maximum Bias Current   | +/-200 mA with no degradation of RF specifications  |
| Maximum Bias Voltage   | +/-40 VDC   |
| Trigger Inputs/Outputs | BNC(f), TTL/CMOS compatible   |
| Test Set IO            | 25-pin D-Sub connector, available for external test set control.  |
| Power IO               | 9-pin D-Sub, female; analog and digital IO  |
| Handler IO             | 36-pin parallel I/O port; all input/output signals are default set to negative logic; can be reset to positive logic via GPIB command.  |
| GPIB                   | Two ports - dedicated controller and dedicated talker/listener. 24-pin D-sub (Type D-24), female; compatible with IEEE-488.   |
| Parallel Port (LPT1)   | 25-pin D-Sub miniature connector, female; provides connection to printers or any other parallel port peripherals  |
| USB Ports              | Four ports on front panel (all Host) and five ports (four Host and one Device) on rear panel. Type A configuration (eight Host) and Type B configuration (one Device), USB 2.0 compatible. The total current limit for all rear panel USB ports is 2.0 amps. The total current limit for all front panel USB is 0.9 amps. |
| LAN                    | 10/100BaseT Ethernet, 8-pin configuration; auto selects between the two data rates  |
| <b>Line Power</b>      |   |
| Frequency, Voltage     | 50/60/400 Hz for 100 to 120 VAC<br>50/60 Hz for 220 to 240 VAC  |
|                        | Power supply is auto switching  |
| Max                    | 450 watts   |

**Table 29. Analyzer Dimensions and Weight**

All models are shipped with handles.

| <b>Cabinet Dimensions</b>                       | <b>Metric (mm)</b> | <b>Imperial (inches)</b> |
|---|--------------------|--------------------------|
| <b>Height</b>                                   |                    |                          |
| Without bottom feet:<br><sup>1</sup> EIA RU = 6 | 266.1              | 10.5                     |
| With bottom feet                                | 279.1              | 11.0                     |
| <b>Width</b>                                    |                    |                          |
| Without handles or rack-mount flanges           | 425.6              | 16.8                     |
| With handles, without rack-mount flanges        | 458.7              | 18.1                     |
| With handles and rack-mount flanges             | 482.9              | 19.0                     |
| <b>Depth</b>                                    |                    |                          |
| Without front and rear panel hardware           | 582.3              | 22.9                     |
| With front and rear panel hardware, handles     | 649.6              | 25.6                     |

<sup>1</sup>Electronics Industry Association rack units. 1 RU = 1.75 in.

See detailed PNA dimension drawings at: <http://na.tm.agilent.com/pna/PNADimensions.pdf>

| <b>Weight (nominal)</b>                   | <b>Net</b>      | <b>Shipping</b>  |
|---|-----------------|------------------|
| 2-port models (Option 200, 201, 217, 219) | 39.1 kg (86 lb) | 55 kg (121 lb)   |
| 4-port models (Option 400, 401, 417, 419) | 41.8 kg (92 lb) | 58.2 kg (128 lb) |

### Regulatory and Environmental Information

For Regulatory and Environmental information, refer to the PNA Series Installation and Quick Start Guide, located online at <http://cp.literature.agilent.com/litweb/pdf/E8356-90001.pdf>.

## Measurement Throughput Summary

- [Typical Cycle Time for Measurement Completion](#)
- [Cycle Time vs. IF Bandwidth](#)
- [Cycle Time vs. Number of Points](#)
- [Data Transfer Time](#)

Cycle time Includes sweep time, retrace time and band-crossing time. Analyzer display turned off with DISPLAY:ENABLE OFF. Add 21 ms for display on. Data for one trace (S<sub>11</sub>) measurement.

**Table 30a. Typical Cycle Time (ms) for Measurement Completion, All Models and Options**

| Sweep Range      | IF Bandwidth |             | Number of Points |      |      |       |       |
|------------------|--------------|-------------|------------------|------|------|-------|-------|
|                  |              |             | 201              | 401  | 1601 | 16001 | 32001 |
| 9 GHz to 10 GHz  | 600 kHz      | Uncorrected | 5.5              | 5.5  | 9.4  | 59.4  | 116   |
|                  |              | 2-Port cal  | 18.0             | 19.0 | 26   | 132   | 250   |
|                  | 10 kHz       | Uncorrected | 28.1             | 53.1 | 203  | 1995  | 3988  |
|                  |              | 2-Port cal  | 65.6             | 116  | 414  | 4003  | 7991  |
|                  | 1 kHz        | Uncorrected | 227              | 445  | 1744 | 17028 | 33828 |
|                  |              | 2-Port cal  | 461              | 898  | 3150 | 30669 | 67680 |
| 10 GHz to 20 GHz | 600 kHz      | Uncorrected | 17.2             | 18.8 | 23.4 | 68.8  | 120   |
|                  |              | 2-Port cal  | 43.8             | 46.9 | 56.3 | 155   | 259   |
|                  | 10 kHz       | Uncorrected | 67.2             | 127  | 259  | 2003  | 3995  |
|                  |              | 2-Port cal  | 144              | 261  | 523  | 4016  | 8003  |
|                  | 1 kHz        | Uncorrected | 233              | 456  | 1781 | 17375 | 34516 |
|                  |              | 2-Port cal  | 475              | 922  | 3570 | 34758 | 69055 |

**Table 30b. N5224A Typical Cycle Time (ms) for Full-Span Measurement Completion**

| <b>10 MHz to 43.5 GHz</b> |             | <b>Number of Points</b> |            |             |              |              |
|---------------------------|-------------|-------------------------|------------|-------------|--------------|--------------|
| <b>IF Bandwidth</b>       |             | <b>201</b>              | <b>401</b> | <b>1601</b> | <b>16001</b> | <b>32001</b> |
| 600 kHz                   | Uncorrected | 48.4                    | 59.4       | 78.1        | 156          | 206          |
|                           | 2-Port cal  | 105                     | 127        | 164         | 317          | 428          |
| 10 kHz                    | Uncorrected | 84.4                    | 147        | 505         | 2172         | 4188         |
|                           | 2-Port cal  | 175                     | 302        | 1016        | 4350         | 8384         |
| 1 kHz                     | Uncorrected | 250                     | 477        | 1822        | 17617        | 34984        |
|                           | 2-Port cal  | 505                     | 959        | 3647        | 35250        | 69992        |

**Table 30c. N5225A Typical Cycle Time (ms) for Full-Span Measurement Completion**

| <b>10 MHz to 50 GHz</b> |             | <b>Number of Points</b> |            |             |              |              |
|-------------------------|-------------|-------------------------|------------|-------------|--------------|--------------|
| <b>IF Bandwidth</b>     |             | <b>201</b>              | <b>401</b> | <b>1601</b> | <b>16001</b> | <b>32001</b> |
| 600 kHz                 | Uncorrected | 55.5                    | 67.2       | 85.9        | 166          | 223          |
|                         | 2-Port cal  | 116                     | 141        | 175         | 334          | 443          |
| 10 kHz                  | Uncorrected | 87.5                    | 151        | 512         | 2182         | 4203         |
|                         | 2-Port cal  | 180                     | 307        | 1027        | 4364         | 8422         |
| 1 kHz                   | Uncorrected | 252                     | 480        | 1825        | 17648        | 35031        |
|                         | 2-Port cal  | 509                     | 966        | 3656        | 35305        | 70086        |

**Table 31. Cycle Time vs. IF Bandwidth - Typical**

Applies to the Preset condition (201 points, correction off) except for the following changes:

- CF = 10 GHz
- Span = 100 MHz
- Display off (add 21 ms for display on)

Cycle time includes sweep and retrace time.

| <b>Description</b>       |                        | <b>N5221A/22A</b>                     |  |
|--------------------------|------------------------|---------------------------------------|--|
| <b>IF Bandwidth (Hz)</b> | <b>Cycle Time (ms)</b> | <b>Trace Noise Magnitude (dB rms)</b> |  |
| 600,000                  | 5.5                    | 0.005                                 |  |
| 100,000                  | 5.5                    | 0.0024                                |  |
| 30,000                   | 8.6                    | 0.0017                                |  |
| 10,000                   | 28.9                   | 0.0014                                |  |
| 3,000                    | 70.3                   | 0.001                                 |  |
| 1,000                    | 223                    | 0.0008                                |  |
| 300                      | 642                    | 0.0006                                |  |
| 100                      | 1823                   | 0.0005                                |  |
| 30                       | 5977                   | 0.0005                                |  |
| 10                       | 17836                  | 0.0005                                |  |
| 3                        | 59289                  | 0.0004                                |  |

**Table 32. Cycle Time vs. Number of Points - Typical**

Applies to the Preset condition (correction off) except for the following changes:

- CF = 10 GHz
- Span = 100 MHz
- Display off (add 21 ms for display on)

Cycle time includes sweep and retrace time.

| Description | IF Bandwidth (Hz) |        |        |         |
|-------------|-------------------|--------|--------|---------|
|             | 1,000             | 10,000 | 30,000 | 600,000 |
| 3           | 6.3               | 4.7    | 4.7    | 4.7     |
| 11          | 15.6              | 5.5    | 4.7    | 4.7     |
| 51          | 59.4              | 10.2   | 4.7    | 4.7     |
| 101         | 113               | 15.6   | 6.3    | 4.7     |
| 201         | 222               | 28.1   | 8.6    | 4.7     |
| 401         | 436               | 53.1   | 14.1   | 5.5     |
| 801         | 859               | 103    | 23.4   | 6.3     |
| 1,601       | 1706              | 203    | 43.8   | 9.4     |
| 6,401       | 6719              | 800    | 166    | 26.6    |
| 16,001      | 16656             | 1995   | 408    | 60.2    |
| 32,001      | 33086             | 3988   | 812    | 116     |

**Table 33. Data Transfer Time (ms) - Typical**

Measured with the analyzer display off.

Values will increase slightly if the analyzer display is on.

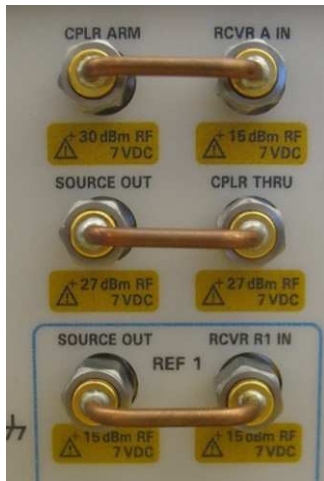
| Description   | Number of Points |      |      |        |        |
|---|------------------|------|------|--------|--------|
|   | 201              | 401  | 1601 | 16,001 | 32,001 |
| <b>SCPI over GPIB</b> (Program executed on external PC <sup>2</sup> )                     |                  |      |      |        |        |
| 32-bit floating point   | 4.6              | 9.3  | 38   | 352    | 720    |
| 64-bit floating point   | 9.4              | 18.8 | 73.4 | 730    | 1455   |
| ASCII   | 36.7             | 72.5 | 288  | 2882   | 5762   |
| <b>SCPI over SICL/LAN or TCP/IP Socket<sup>1</sup></b> (Program executed in the analyzer) |                  |      |      |        |        |
| 32-bit floating point   | <1               | <1   | <1   | 1.2    | 2.4    |
| 64-bit floating point   | <1               | <1   | <1   | 2.3    | 4.6    |
| ASCII   | 2.1              | 4    | 15   | 148    | 295    |
| <b>COM<sup>1</sup></b> (Program executed in the analyzer)                                 |                  |      |      |        |        |
| 32-bit floating point   | <1               | <1   | <1   | <1     | <1     |
| Variant type  | <1               | <1   | 1.4  | 12.4   | 25.5   |
| <b>DCOM over LAN<sup>1</sup></b> (Program executed on external PC)                        |                  |      |      |        |        |
| 32-bit floating point   | <1               | <1   | <1   | 2.3    | 4.4    |
| Variant type  | <1               | 1.6  | 5.3  | 52     | 105.5  |

<sup>1</sup> Values are for real and imaginary pairs, with the analyzer display off, using Gigabit Ethernet.

**Note:** Specifications for Recall & Sweep Speed are not provided for the N522xA analyzers.



## Specifications: Front-Panel Jumpers



The following options have front-panel jumpers for each port:

201, 217, 219, 401, 417, 419

- [Measurement Receiver Inputs](#)
- [Reference Receiver Inputs and Reference Source Outputs](#)
- [Source Outputs](#)
- [Coupler Inputs](#)
- [Damage Level](#)

**Table 34. Measurement Receiver Inputs (dBm) - Typical**

(RCVR A, B, C, D IN) @ 0.1dB Typical Compression

| Description        | All Options |
|--------------------|-------------|
| 10 MHz to 500 MHz  | -3          |
| 500 MHz to 1 GHz   | -3          |
| 1 GHz to 2 GHz     | -2          |
| 2 GHz to 3.2 GHz   | -1          |
| 3.2 GHz to 10 GHz  | -2          |
| 10 GHz to 26.5 GHz | -4          |
| 26.5 GHz to 35 GHz | -5          |
| 35 GHz to 50 GHz   | -6          |

**Table 35. Reference Receiver Inputs and Reference Source Outputs (dBm) - Typical**  
**(RCVR R1 IN, REF 1 SOURCE OUT) @ Max Specified Output Power**

| <b>Description</b> | <b>Option 201, 401</b> | <b>Option 217, 219, 417, 419</b> |
|--------------------|------------------------|----------------------------------|
| 10 MHz to 50 MHz   | -30                    | -30                              |
| 50 MHz to 100 MHz  | -16                    | -16                              |
| 100 MHz to 500 MHz | -16                    | -16                              |
| 500 MHz to 1 GHz   | -8                     | -8                               |
| 1 GHz to 10 GHz    | -7                     | -8                               |
| 10 GHz to 16 GHz   | -8                     | -8                               |
| 16 GHz to 26.5 GHz | -8                     | -9                               |
| 26.5 GHz to 30 GHz | -9                     | -10                              |
| 30 GHz to 32 GHz   | -10                    | -11                              |
| 32 GHz to 35 GHz   | -9                     | -11                              |
| 35 GHz to 43.5 GHz | -11                    | -12                              |
| 43.5 GHz to 47 GHz | -15                    | -16                              |
| 47GHz to 50 GHz    | -24                    | -24                              |

**Table 36. Reference Receiver Inputs and Reference Receiver Outputs (dBm) - Typical****(RCVR R2 IN, RCVR R3 IN, RCVR R4 IN, REF 2 SOURCE OUT, REF 3 SOURCE OUT, REF 4 SOURCE OUT) @ Max Specified Output Power**

| Description        | Option 201, 401   | Option 401                      | Option 217, 219, 417, 419   |                                 |
|--------------------|---|---------------------------------|---|---------------------------------|
|                    | RCVR R2 IN,<br>RCVR R4 IN,<br>REF 2 SOURCE OUT,<br>REF 4 SOURCE OUT | RCVR R3 IN,<br>REF 3 SOURCE OUT | RCVR R2 IN,<br>RCVR R4 IN,<br>REF 2 SOURCE OUT,<br>REF 4 SOURCE OUT | RCVR R3 IN,<br>REF 3 SOURCE OUT |
| 10 MHz to 50 MHz   | -25   | -25                             | -25   | -25                             |
| 50 MHz to 100 MHz  | -20   | -20                             | -20   | -20                             |
| 100 MHz to 500 MHz | -6  | -6                              | -10   | -10                             |
| 500 MHz to 3.2 GHz | -2  | -2                              | -3  | -3                              |
| 3.2 GHz to 10 GHz  | -1  | -1                              | -2  | -2                              |
| 10 GHz to 30 GHz   | -1  | -1                              | -1  | -1                              |
| 30 GHz to 32 GHz   | -1  | -1                              | -3  | -3                              |
| 32 GHz to 35 GHz   | 0   | 0                               | -1  | -1                              |
| 35 GHz to 43.5 GHz | -2  | -2                              | -4  | -4                              |
| 43.5 GHz to 47 GHz | -5  | -5                              | -7  | -7                              |
| 47 GHz to 50 GHz   | -14   | -14                             | -15   | -15                             |

**Table 37. Source Outputs (dBm) - Typical****(PORT 1 SOURCE OUT, PORT 2 SOURCE OUT, PORT 3 SOURCE OUT, PORT 4 SOURCE OUT) @ Max Specified Output Power**

| Description        | Option 201, 401                      | Option 201, 401                      | Option 217, 219, 417, 419            |                                      |
|--------------------|--------------------------------------|--------------------------------------|--------------------------------------|--------------------------------------|
|                    | PORT 1 SOURCE OUT, PORT 3 SOURCE OUT | PORT 2 SOURCE OUT, PORT 4 SOURCE OUT | PORT 1 SOURCE OUT, PORT 3 SOURCE OUT | PORT 2 SOURCE OUT, PORT 4 SOURCE OUT |
| 10 MHz to 50 MHz   | 12                                   | 12                                   | 10                                   | 10                                   |
| 50 MHz to 1 GHz    | 13                                   | 13                                   | 11                                   | 11                                   |
| 1 GHz to 10 GHz    | 14                                   | 14                                   | 12                                   | 12                                   |
| 10 GHz to 16 GHz   | 14                                   | 14                                   | 13                                   | 13                                   |
| 16 GHz to 26.5 GHz | 15                                   | 15                                   | 13                                   | 13                                   |
| 26.5 GHz to 30 GHz | 14                                   | 14                                   | 12                                   | 12                                   |
| 30 GHz to 32 GHz   | 13                                   | 13                                   | 10                                   | 10                                   |
| 32 GHz to 35 GHz   | 14                                   | 14                                   | 12                                   | 12                                   |
| 35 GHz to 43.5 GHz | 11                                   | 11                                   | 8                                    | 8                                    |
| 43.5 GHz to 47 GHz | 8                                    | 8                                    | 4                                    | 4                                    |
| 47 GHz to 50 GHz   | -2                                   | -2                                   | -5                                   | -5                                   |

**Table 38. Coupler Inputs (dB) - Typical****(PORT 1, 2, 3, 4 CPLR THRU) Insertion Loss of Coupler Thru**

| Description        | Option 201, 401 | Option 217, 219, 417, 419 |
|--------------------|-----------------|---------------------------|
| 10 MHz to 50 MHz   | 0               | 0                         |
| 50 MHz to 500 MHz  | -0.25           | -0.25                     |
| 500 MHz to 1 GHz   | -0.50           | -0.50                     |
| 1 GHz to 2 GHz     | -0.50           | -1                        |
| 2 GHz to 3.2 GHz   | -0.75           | -1                        |
| 3.2 GHz to 10 GHz  | -1              | -1.5                      |
| 10 GHz to 16 GHz   | -1.2            | -2                        |
| 16 GHz to 26.5 GHz | -1.8            | -2.5                      |
| 26.5 GHz to 35 GHz | -2              | -3                        |
| 35 GHz to 43.5 GHz | -2.5            | -4                        |
| 43.5 GHz to 47 GHz | -3              | -5                        |
| 47 GHz to 50 GHz   | -3              | -6                        |

**Table 39. Damage Level - Typical**

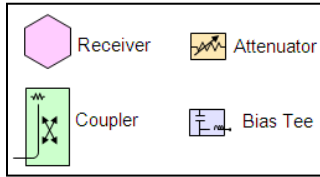
| Description                | RF (dBm) | DC (v)               |
|----------------------------|----------|----------------------|
| RCVR A, B, C, D IN         | 15       | 7                    |
| RCVR R1, R2, R3, R4 IN     | 15       | 7                    |
| REF 1 SOURCE OUT           | 15       | 7                    |
| REF 2, 3, 4 SOURCE OUT     | 30       | 7                    |
| PORT 1, 2, 3, 4 SOURCE OUT | 27       | 7                    |
| PORT 1, 2, 3, 4 CPLR THRU  | 27       | 40 (7 <sup>1</sup> ) |
| PORT 1, 2, 3, 4 CPLR ARM   | 30       | 7                    |

<sup>1</sup> With a thru connection between test ports of option 217 or 417 configuration, 7 VDC input to CPLR THRU ports damages the source attenuator on the connected port..

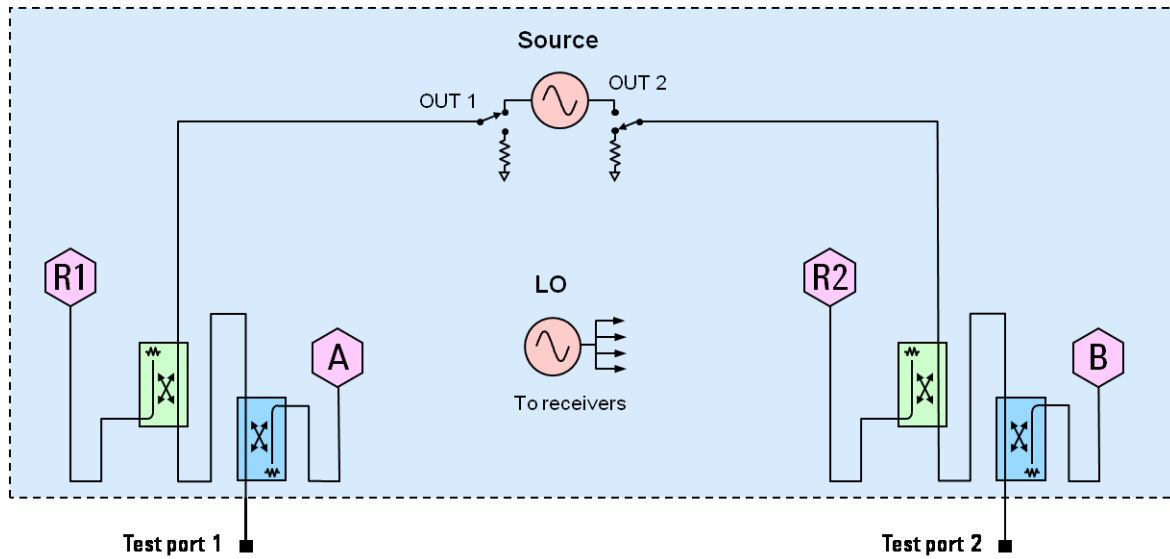
## Test Set Block Diagrams

NOTE: For best readability, use a color printer for printing the following graphics.

### Legend

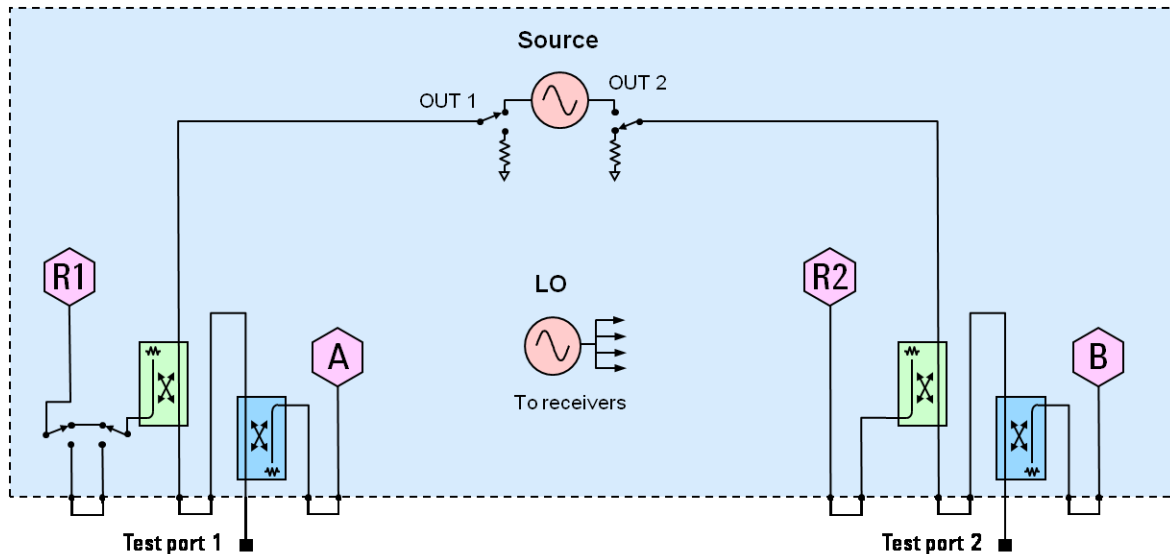


### N5224A and N5225A Option 200 (2-port base model)



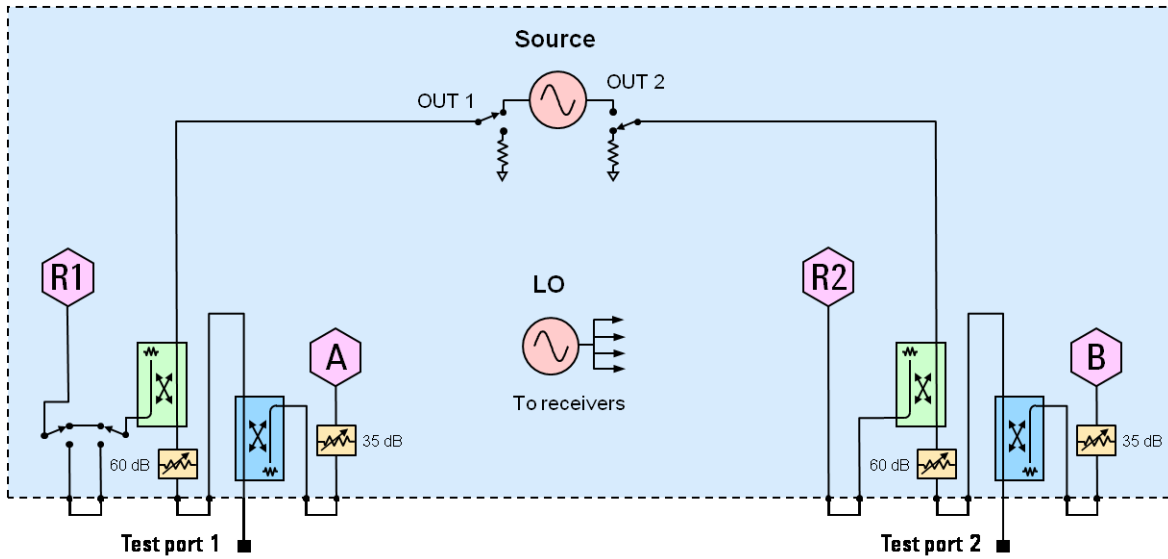
### N5224A and N5225A Option 201

To base model, adds front-panel jumpers and R1 receiver switch



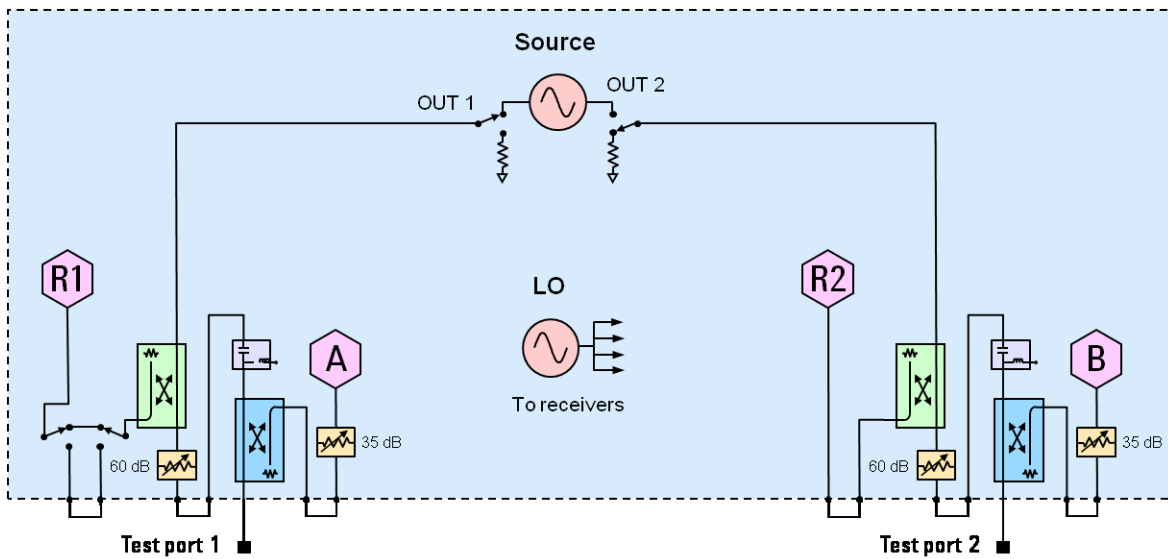
### N5224A and N5225A Option 217

To base model, adds front-panel jumpers, R1 receiver switch, **and source and receiver attenuators (extended power range)**.

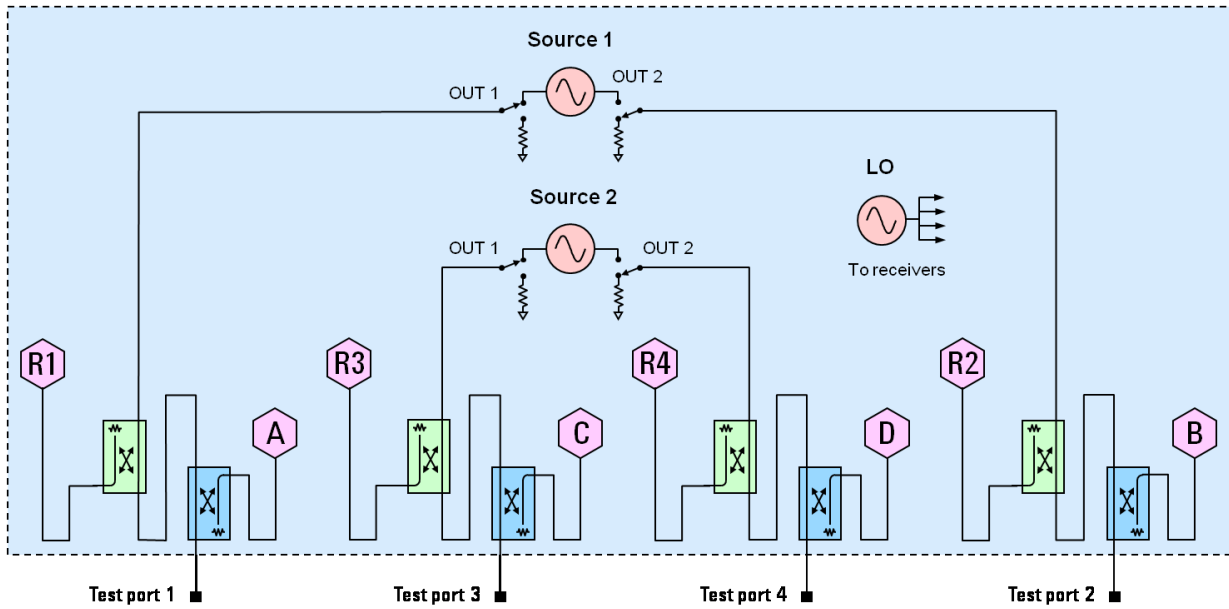


### N5224A and N5225A Option 219

To base model, adds front-panel jumpers, R1 receiver switch, source and receiver attenuators (extended power range), **and bias-tees**.

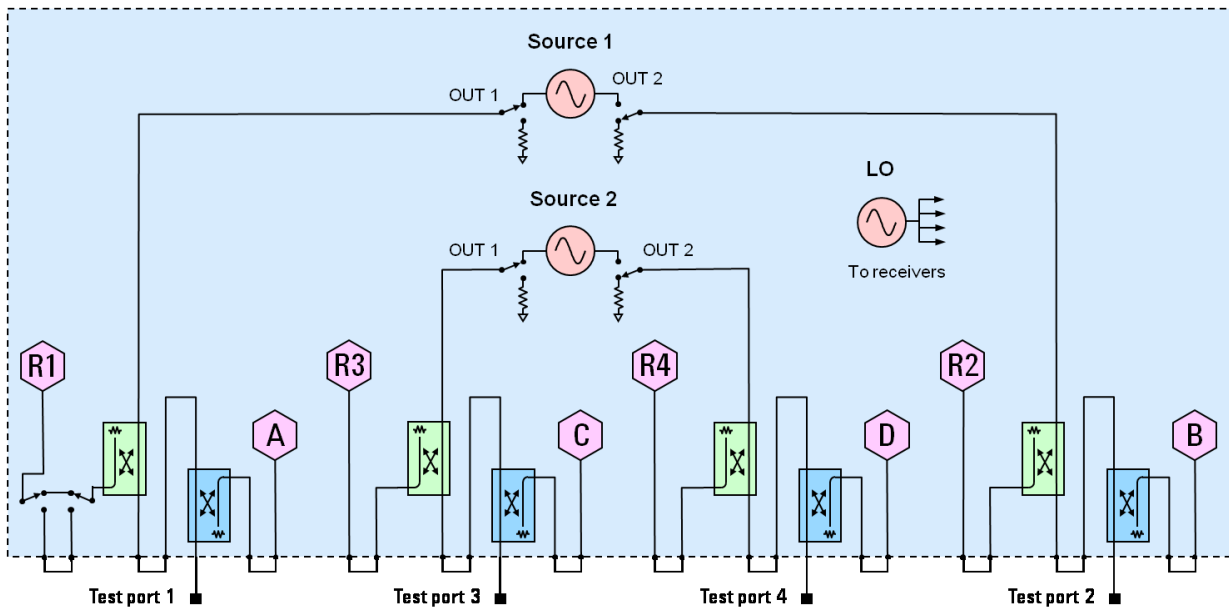


### N5224A and N5225A Option 400 (4-port base model)



### N5224A and N5225A Option 401

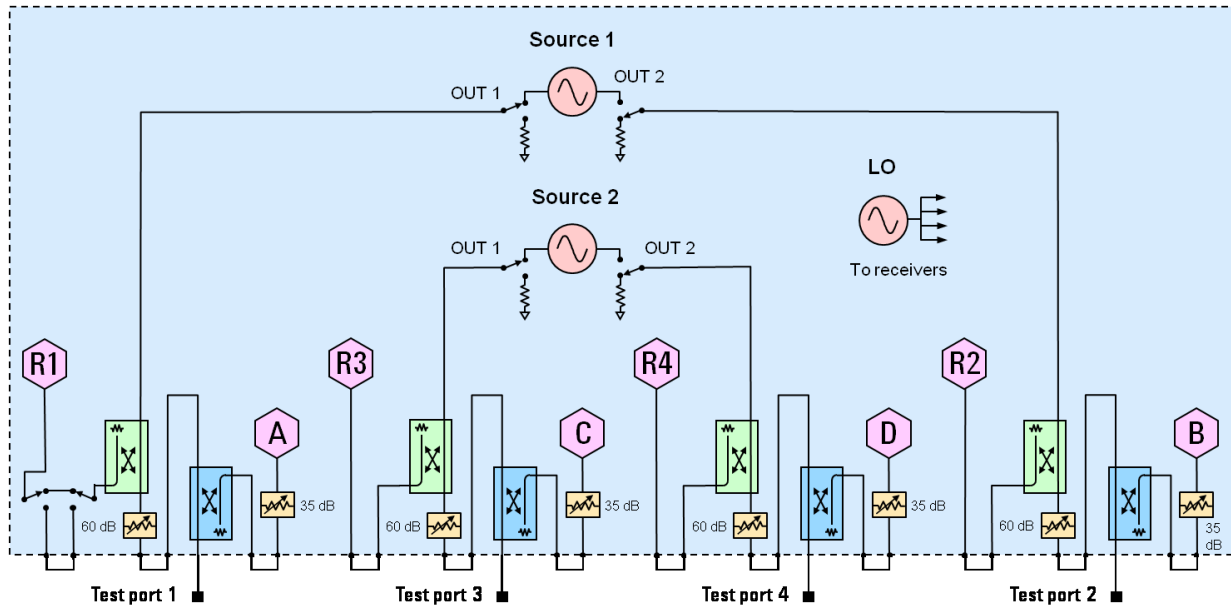
To base model, adds front-panel jumpers and R1 receiver switch





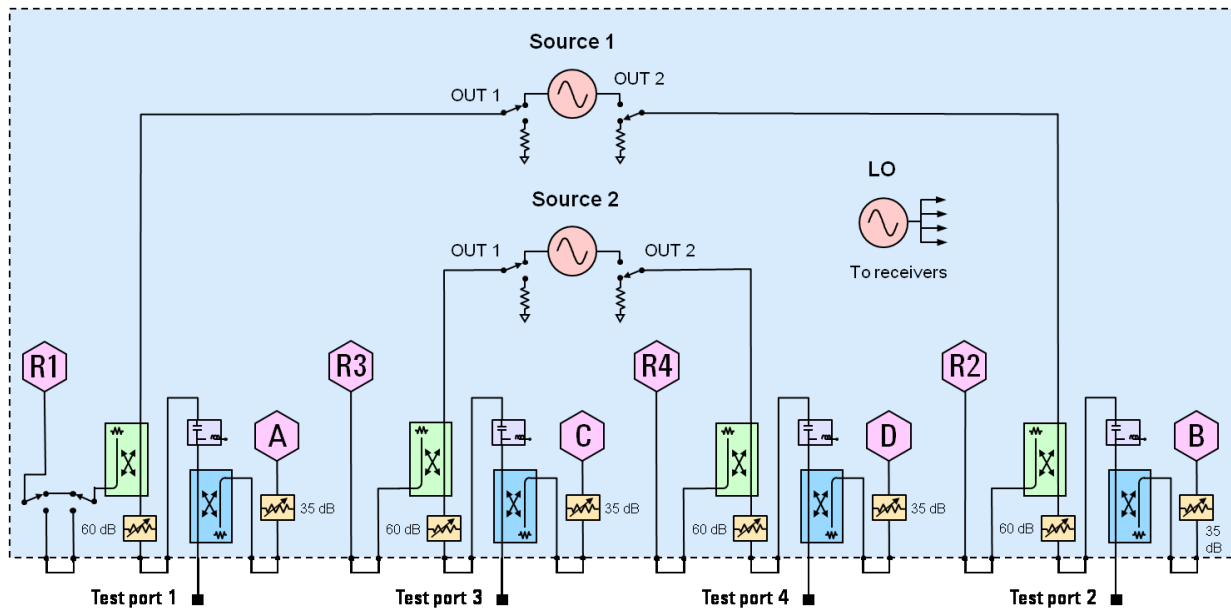
### N5224A and N5225A Option 417

To base model, adds front-panel jumpers, R1 receiver switch, **and source and receiver attenuators (extended power range)**.

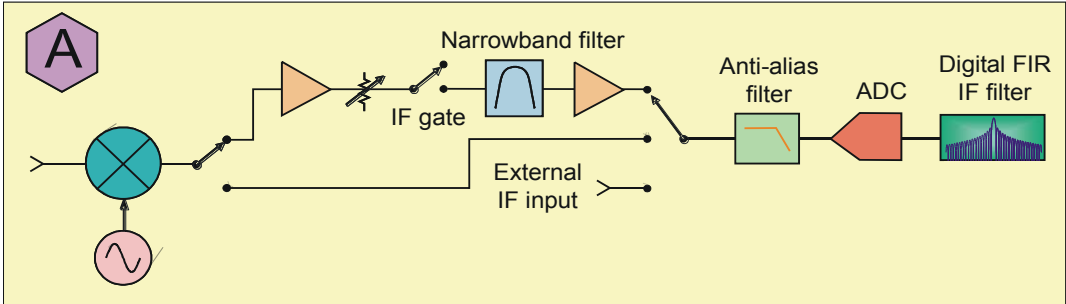


### N5224A and N5225A Option 419

To base model, adds front-panel jumpers, R1 receiver switch, source and receiver attenuators (extended power range), **and bias-tees**.



**Receiver Block Diagram**





## Agilent Email Updates

[www.agilent.com/find/emallupdates](http://www.agilent.com/find/emallupdates)

Get the latest information on the products and applications you select.



[www.axlestandard.org](http://www.axlestandard.org)

AdvancedTCA® Extensions for Instrumentation and Test (AXIe) is an open standard that extends the AdvancedTCA for general purpose and semiconductor test. Agilent is a founding member of the AXIe consortium.



[www.lxistandard.org](http://www.lxistandard.org)

LAN eXtensions for Instruments puts the power of Ethernet and the Web inside your test systems. Agilent is a founding member of the LXI consortium.



[www.pxlsa.org](http://www.pxlsa.org)

PCI eXtensions for Instrumentation (PXI) modular instrumentation delivers a rugged, PC-based high-performance measurement and automation system.

## Agilent Channel Partners

[www.agilent.com/find/channelpartners](http://www.agilent.com/find/channelpartners)

Get the best of both worlds: Agilent's measurement expertise and product breadth, combined with channel partner convenience.



Agilent Advantage Services is committed to your success throughout your equipment's lifetime. To keep you competitive, we continually invest in tools and processes that speed up calibration and repair and reduce your cost of ownership. You can also use Infoline Web Services to manage equipment and services more effectively. By sharing our measurement and service expertise, we help you create the products that change our world.

[www.agilent.com/find/advantageservices](http://www.agilent.com/find/advantageservices)



[www.agilent.com](http://www.agilent.com)

[www.agilent.com/find/pnax](http://www.agilent.com/find/pnax)

For more information on Agilent Technologies' products, applications or services, please contact your local Agilent office. The complete list is available at:

[www.agilent.com/find/contactus](http://www.agilent.com/find/contactus)

### Americas

|               |                |
|---------------|----------------|
| Canada        | (877) 894-4414 |
| Brazil        | (11) 4197 3500 |
| Mexico        | 01800 5064 800 |
| United States | (800) 829-4444 |

### Asia Pacific

|                    |                |
|--------------------|----------------|
| Australia          | 1 800 629 485  |
| China              | 800 810 0189   |
| Hong Kong          | 800 938 693    |
| India              | 1 800 112 929  |
| Japan              | 0120 (421) 345 |
| Korea              | 080 769 0800   |
| Malaysia           | 1 800 888 848  |
| Singapore          | 1 800 375 8100 |
| Taiwan             | 0800 047 866   |
| Other AP Countries | (65) 375 8100  |

### Europe & Middle East

|                |                                  |
|----------------|----------------------------------|
| Belgium        | 32 (0) 2 404 93 40               |
| Denmark        | 45 70 13 15 15                   |
| Finland        | 358 (0) 10 855 2100              |
| France         | 0825 010 700*<br>*0.125 €/minute |
| Germany        | 49 (0) 7031 464 6333             |
| Ireland        | 1890 924 204                     |
| Israel         | 972-3-9288-504/544               |
| Italy          | 39 02 92 60 8 484                |
| Netherlands    | 31 (0) 20 547 2111               |
| Spain          | 34 (91) 631 3300                 |
| Sweden         | 0200-88 22 55                    |
| United Kingdom | 44 (0) 118 9276201               |

*For other unlisted countries:*

[www.agilent.com/find/contactus](http://www.agilent.com/find/contactus)

Product specifications and descriptions in this document subject to change without notice.

© Agilent Technologies, Inc.  
Published in USA, September 2, 2013  
Supersedes: July 25, 2013  
N5224-90001

