

## Errata

**Title & Document Type:** E2377A/E2378A Handheld Multimeter User's Guide

**Manual Part Number:** E2377-90001

**Revision Date:** February 1989

---

### HP References in this Manual

This manual may contain references to HP or Hewlett-Packard. Please note that Hewlett-Packard's former test and measurement, semiconductor products and chemical analysis businesses are now part of Agilent Technologies. We have made no changes to this manual copy. The HP XXXX referred to in this document is now the Agilent XXXX. For example, model number HP8648A is now model number Agilent 8648A.

### About this Manual

We've added this manual to the Agilent website in an effort to help you support your product. This manual provides the best information we could find. It may be incomplete or contain dated information, and the scan quality may not be ideal. If we find a better copy in the future, we will add it to the Agilent website.

### Support for Your Product

Agilent no longer sells or supports this product. You will find any other available product information on the Agilent Test & Measurement website:

[www.tm.agilent.com](http://www.tm.agilent.com)

Search for the model number of this product, and the resulting product page will guide you to any available information. Our service centers may be able to perform calibration if no repair parts are needed, but no other support from Agilent is available.





# Hewlett-Packard Handheld Multimeter

Models E2377A / E2378A



Operating instructions in the following languages appear on the pages indicated below. For Warranty/Service see Chapter 7.

Bedienungsanweisungen in den jeweiligen Sprachen beginnen auf den nachstehend angegebenen Seiten. Garantie- und Service-Hinweise sind in Kapitel 7 enthalten.

Les Instructions, traduites en plusieurs langues, apparaissent ci-dessous aux pages indiquées. Les informations sur la garantie et le service après-vente sont au chapitre 7.

En las páginas indicadas a continuación, figuran Instrucciones para los siguientes idiomas. El capítulo 7 contiene información sobre la Garantía y los Servicios de Reparación.

Le istruzioni d'uso nei seguenti linguaggi appaiono nelle pagine indicate sotto. Per la garanzia e l'assistenza vedere il capitolo 7.

本書では、操作方法は以下の6種類の言語で説明されています。該当の言語のページを参照してください。保証/サービスに関しては、第7章をお読みください。

1	English	page 1-1
2	Deutsch	page 2-1
3	Français	page 3-1
4	Español	page 4-1
5	Italiano	page 5-1
6	日本語	page 6-1
7	Warranty / Service	page 7-1

## HP E2377A / E2378A MULTIMETER OPERATOR'S MANUAL

### Table of Contents

Safety Summary.....	1-1
Safety Symbols.....	1-1
Warnings and Cautions.....	1-2
Operations.....	1-3
Voltage Measurement.....	1-6
Current Measurement.....	1-6
Resistance Measurement.....	1-7
Continuity Check.....	1-7
Diode Test.....	1-7
Temperature Test.....	1-8
Calibration / Performance Testing.....	1-8 / 1-9
Troubleshooting / Maintenance.....	1-10
Specifications.....	1-12 / 1-13
General Information.....	1-14
HP Warranty / Service.....	7-1

### SAFETY SUMMARY

The **Cautions** and **Warnings** which appear on the following page must be followed to ensure operator safety and to retain the operating condition of the Multimeter.

### Safety Symbols



Indicates the operator must refer to an explanation in this manual.



Indicates terminals at which dangerous voltages may exist.

**WARNING**  
**TO AVOID ELECTRICAL SHOCK** or damage to the multimeter, do not apply more than 1000 V DC or 750 Vrms between any terminal and earth ground. Use caution when working with voltages above 60 V DC or 42 V peak. Ensure test leads are in good condition.

**WARNING**  
**POSSIBLE ELECTRICAL SHOCK.** Do not make measurements if the case is damaged or the rear cover is removed. Remove all electrical inputs before removing the rear cover.

**WARNING**  
**POSSIBLE ELECTRICAL SHOCK or FIRE HAZARD.** Do not expose this multimeter to rain or moisture. Do not operate the multimeter in the presence of flammable gases or fumes. Use FAST 500mA/250V and 15A/250V rated fuses when the fuses are replaced. (See back of rear panel.)

**WARNING**  
**POSSIBLE ELECTRICAL SHOCK.** Calibration and performance tests are to be performed by qualified personnel only. Do not attempt calibration or test procedures unless qualified to do so.

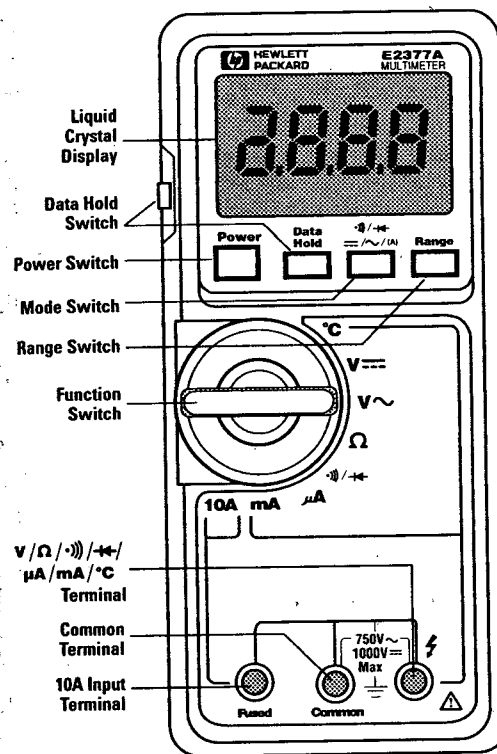
**CAUTION**  
 To avoid damage to the multimeter for inputs above 500 V DC or AC, disconnect test leads before changing functions. Do not exceed the maximum input limits shown in the following table.

Function	Maximum Input
V $\bar{=}$ / V $\sim$	$\pm 1000$ V DC / 750 Vrms
320 $\mu$ A - 320 mA $\bar{=}$ / $\sim$	$\pm 0.5$ A DC / 0.5 Arms **
10 A $\bar{=}$ / $\sim$	$\pm 15$ A DC / 15 Arms **
$\Omega$ / $\cdot$ / $\div$ / $\pm$	500 Vrms
$^{\circ}$ C	250 Vrms

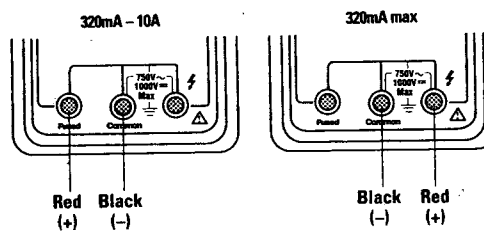
Maximum voltage any terminal to earth ground:  $\pm 1000$ V peak / 750 Vrms.  
 \*\*From a 250 Vrms source (maximum).

## OPERATION

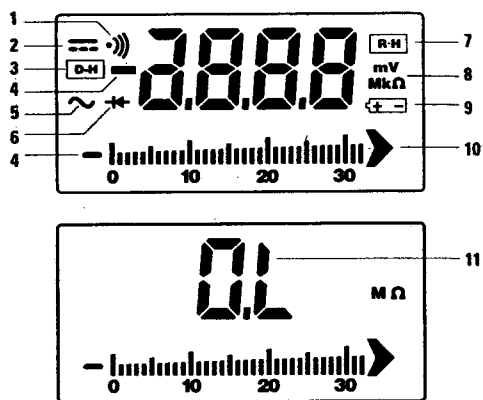
### Panel Description



### Test Lead Connections



## Display Description



### Power-up Self-test

When the multimeter is turned on, all display segments appear for approximately 2 seconds during self-test. After self-test, the multimeter beeps once and begins measurements.

### Display

The display consists of 3.5 digits with bar graph. The digits have a maximum count >3200 and are sampled 2 times / second. The bar graph display contains 33 segments (100 counts resolution/segment) and is sampled 12 times/second.

### Low Battery Voltage

The  $\left[ \begin{array}{c} + \\ - \end{array} \right]$  symbol appears when low battery voltage occurs. Replace batteries as soon as possible to prevent accuracy degradation or battery leakage.

### Input Overload

The "OL" display appears when the input is larger than the range can display. Decimal point location depends on the measurement range. There is no overload "OL" display for inputs that exceed the maximum input on the 1000 V DC and 750 V AC voltage ranges or the 10A current range.

1-4

- 1. Continuity Check Mode
- 2. DC Voltage or Current Mode
- 3. Data Hold Mode
- 4. Polarity Sign – DC measurement value is negative
- 5. AC Voltage or Current Mode
- 6. Diode Test Mode
- 7. Range Hold Mode
- 8. Units of measurement for:
  - Voltage
  - Resistance
  - Current – units NOT indicated
  - Temperature – units NOT indicated
- 9. Low Battery Voltage
- 10. Bar Graph Display – shows measured value graphically
- 11. Overload – input too large to display

### Mode Selection

The Mode Switch selects the continuity check or diode test mode when Function Switch is in the  $\left[ \begin{array}{c} \cdot \\ \cdot \\ \cdot \end{array} \right] / \left[ \begin{array}{c} \cdot \\ \cdot \\ \cdot \end{array} \right] / \left[ \begin{array}{c} \cdot \\ \cdot \\ \cdot \end{array} \right]$  position. It selects DC  $\left[ \begin{array}{c} \text{—} \\ \text{—} \\ \text{—} \end{array} \right]$  or AC  $\left[ \begin{array}{c} \sim \\ \sim \\ \sim \end{array} \right]$  when the Function Switch is in the  $\mu\text{A}$ , mA or 10A positions.

### Autorange

The multimeter powers up in the autorange mode and selects the range that gives the best resolution. The display briefly indicates overload (OL) when a higher range is being selected. The display briefly blanks when a lower range is being selected. Autorange speed is 6 ranges/second.

### Range Hold

Range Hold (Range Switch) cancels the autoranging function and allows you to select a fixed range. The display indicates overload (OL) if an input is too large to display in the range selected (use the Range Switch to go to the next higher range).

1-5

### To use Range Hold

Select a voltage, current, or resistance function. (Range Hold cannot be used on  $\rightarrow$ ) or  $\leftarrow$  functions.) Press Range Switch (multimeter beeps and displays R-H). Press Range Switch to change ranges. The multimeter beeps and up-ranges for each change. When the highest range is reached, the next change is to the lowest range.

### To return to Autorange

Press the Range Switch for 1 second, (multimeter beeps and returns to the autorange mode).

### Data Hold

The Data Hold Switch is used to hold a measured value on the display. This can be done on all multimeter functions.

### To use Data Hold

Press the Data Hold Switch and the measured value displayed is held. The display remains unchanged even as the input changes. The D-H symbol appears on the display when data is being held. Press the Data Hold Switch to release the data hold mode.

### DC & AC Voltage Measurements

1. Set the Function Switch to  $V \equiv$  for a DC voltage measurement or  $V \sim$  for an AC voltage measurement.
2. Connect the test leads to the circuit to be measured (BLACK to circuit ground and RED to the point to be measured). Do not exceed the maximum inputs of 1000 V DC or 750 Vrms as the overload "OL" display does not appear for these ranges.
3. Read measured value after display stabilizes.

### DC & AC Current Measurements

1. Set the Function Switch to "mA" or " $\mu$ A" for currents less than 320 mA or "10A" for currents above 320 mA but less than 10A.
2. Connect the red test lead to the right terminal for "mA" and to the left terminal for "10A" measurements. Connect the black test lead to the middle "Common" terminal.
3. Press the Mode Switch  $\equiv/\sim$  (A) to select the AC Mode. Press the Mode Switch again to return to the DC Mode.

1-6

4. Connect the test leads in series with the circuit to be measured (red lead to the positive side - black lead to the negative side). There is no "OL" display on the 10A Function/range. The 10A range is protected by a 15A fuse.

### Resistance Measurements

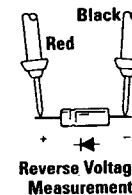
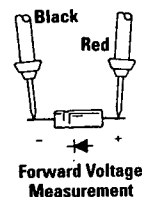
1. Disconnect all power from the circuit to be measured.
2. Set the Function Switch to  $\Omega$ .
3. Connect the test leads to the circuit to be measured and read the display after it stabilizes.

### Continuity Check

1. Disconnect all power from the circuit to be measured.
2. Set the Function Switch to  $\rightarrow$ / $\leftarrow$ .
3. If the  $\rightarrow$ ) symbol is not indicated on the left side of the display, press the Mode Switch  $\rightarrow$ )/ $\leftarrow$  until  $\rightarrow$ ) is indicated.
4. Connect the test leads to the two points to be continuity checked. The display indicates the continuity resistance and if the resistance is less than approximately 20  $\Omega$ , the multimeter will provide a continuous tone in addition to the displayed value.

### Diode Test

1. Disconnect all power from the circuit to be measured.
2. Set the Function Switch to  $\rightarrow$ )/ $\leftarrow$ .
3. If the  $\leftarrow$  symbol is not indicated on left side of the display, press the Mode Switch  $\rightarrow$ )/ $\leftarrow$  until  $\leftarrow$  is indicated.
4. Connect the test leads for forward voltage measurement as shown in the following figure. A normal diode will measure between 0.4 and 0.7V.
5. Reverse the test leads for the reverse voltage measurement as shown in the following figure. The reverse voltage should indicate "OL" for a normal diode. A value near 0 mV indicates a shorted diode.



1-7

### Temperature Test (Type-K Thermocouple)

1. Set the Function Switch to °C.
2. Connect a type-K thermocouple probe to the input terminals ("V" and "Common" terminals). Shorting the inputs will display the ambient temperature without use of a temperature probe.
3. Follow the type-K thermocouple probe accessory instructions for performing temperature measurements. The multimeter displays Centigrade temperature (°C). Apply the equation  $^{\circ}\text{F} = ^{\circ}\text{C} \times 1.8 + 32$  to convert °C to °F.

## CALIBRATION & PERFORMANCE TESTING

### Required Test Equipment

Use calibration sources with accuracy that equals or exceeds the following for calibration and performance tests.

Minimum Accuracy	DCV	ACV	DCI	Function		°C
				ACI	ACI	
	.03%	.1%	.1%	≤ 3MΩ	> 3MΩ	±0.1°C

### Calibration

Environmental range required for calibration:  
23°C ± 5°C, < 80% RH

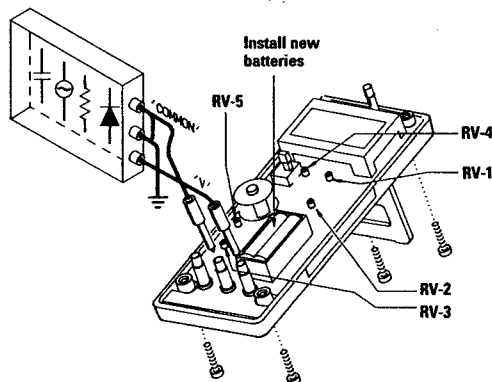
Calibration period: 1 year minimum

1. Disconnect all inputs from the multimeter and open the case (see the section "Opening the Case").
2. Install new batteries (type AAA, Alkaline, IEC LR03) and close the cover. Turn multimeter on and allow a 30 minute warm-up then open the case as in Step 1.
3. Set the multimeter Function and Range and the calibration source output as specified in the following table. Connect the calibration source to the "V" and "Common" terminals as shown in the following figure.
4. Make the following five adjustments so the multimeter display is within the adjustment limits:

Adjustment	Function & Range	Input	Adjustment Limits
RV-1	V $\equiv$ DCV 300 mV	300.00 mV	299.8-300.2
RV-2	V $\equiv$ DCV 3V	3.0000V	2.998-3.002
RV-3	V $\sim$ ACV 3V	3.0000V (100 Hz)	2.997-3.003
RV-4	°C	Short	room temp ± 2°
RV-5	A $\equiv$ DCA 10A	10.000A	9.93 -10.07

1-8

5. Close the case (see the section "Closing the Case").



### Performance Tests

Use sources as described in the Required Test Equipment section on the preceding page.

Environmental range for performance tests:  
23°C ± 5°C, < 80% RH

Step	Function	& Range	Test Input	Tolerance (Counts)
1	V $\equiv$ DCV	300 mV	Short	±2
2		300 mV	300.00 mV	±11
3		3 V	3.0000 V	±11
4		30 V	30.000 V	±13
5		300 V	300.00 V	±13
6		1000 V	1000.0 V	±5
7	V $\sim$ ACV	3 V	Short	±3
8		3 V	3.0000V (100 Hz)	±33
9		30 V	30.000V (100 Hz)	±33
10			(600 Hz)	±65
11		300V	300.00V (100 Hz)	±33
12			(600 Hz)	±65
13		750V	750.00 (100 Hz)	±10.5
14			(600 Hz)	±20
15	A $\equiv$ DCI	300µA	Short	±2
16		300µA	300.00µA	±32
17		3mA	3.0000mA	±32
18		30mA	30.000mA	±32
19		300mA	300.00mA	±47
20		10 A	10.000 A	±17

1-9

Step	Function	& Range	Test Input	Tolerance (Counts)
21	A ~ ACI	300µA	Short	± 5
22		300µA	300.00µA (100 Hz)	± 65
23		3mA	3.000mA (100 Hz)	± 65
24		30mA	30.000mA (100 Hz)	± 65
25		300mA	300.00mA (100 Hz)	± 65
26		10 A	10.000 A (100 Hz)	± 25
27	Ω Ohms	300Ω	Short	± 2
28		300Ω	300.00Ω	± 22
29		3 kΩ	3.000kΩ	± 22
30		30 kΩ	30.000kΩ	± 22
31		300 kΩ	300.00kΩ	± 22
32		3 MΩ	3.000MΩ	± 22
33		30 MΩ	30.000MΩ	± 61
34	•)) Continuity Check		0-30Ω	TONE Approx. < 20Ω
35	↔ Diode Test		1.000 VDC	± 32
36	°C Temperature Test		Short	room temp.* ± 2.5

\*Room Temp. measured with thermometer accurate to 0.1°C.

## TROUBLESHOOTING / MAINTENANCE

Use the following table to help isolate your problem.

Trouble	Possible Cause / Fix
No indication on LCD when power is turned on.	Battery voltage is too low Replace batteries.
Display is unstable.	Multimeter may be near a source of r f noise. Move multimeter to a new location.
Unable to make current measurement in the µA or mA range	Fuse is blown. Replace fuse (spare fuse in rear cover).

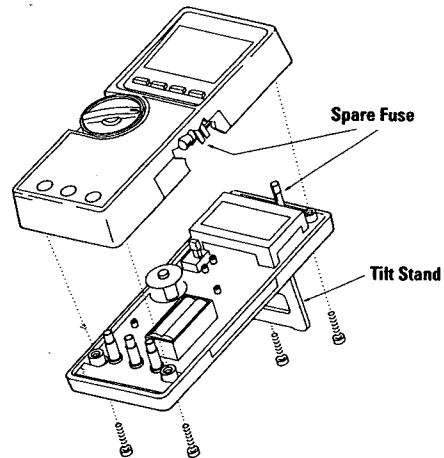
### Opening and Closing the Multimeter Case

The top of the multimeter case must be removed from the bottom of the case to replace batteries or fuses or perform calibration. Use anti-static precautions when handling the multimeter with the case open.

#### Opening the Case

- Loosen the four M3 (E2377A) or M4 (E2378A) screws in the corners of the case bottom. (See figure on following page.)

- Carefully lift off the top of the case. The PC board and bottom of the case cannot be separated.



### Closing the Case

- The HP E2378A has a rubber gasket to provide waterproof integrity. The rubber gasket must be present before closing the case.
- Carefully set the case top on the PC board/case bottom. You may have to rotate the Function Switch to obtain alignment.
- Alternately tighten diagonally opposed screws. When the covers begin to tighten together, tighten the screws securely one last time.

### Waterproof Integrity

The HP E2378A has a sealed case using a rubber gasket to maintain waterproof integrity. Waterproof integrity conforms to IEC 529 / 1976 IPX3. This does not mean the multimeter can be operated under water or with a wet case.



#### WARNING

Do not operate the HP E2378A under water or with water remaining on the case. If the case becomes wet, dry the multimeter case before using.



### Battery and Fuse Replacement

**NOTE:** The case must be opened for battery or fuse replacement. Disconnect all inputs before opening the multimeter case.

### Battery Replacement

During multimeter operation the  $\left(\pm\right)$  symbol appears on the display when the battery voltage becomes low. Replace the two batteries as soon as possible by opening the case as described above. Replace the two batteries with type AAA, Alkaline batteries (UM-4, NEDA 24A) observing correct installed polarity. Close the case as previously described.

### Fuse Replacement

If current cannot be measured in the  $\mu\text{A}$ ,  $\text{mA}$ , or  $10\text{A}$  functions, it is likely that the protective fuse is blown. Spare fuses are located inside the case (see preceding figure). The fuse must have a specified volt/amp rating of FAST 500mA/250V for the  $\mu\text{A}/\text{mA}$  input or FAST 15A/250V for the  $10\text{A}$  input. Open the case, replace the fuse and close the case as previously described.

*(500mA interrupting)*

### SPECIFICATIONS (23 °C $\pm$ 5°C, < 80% RH)

Calibration period: one year minimum

Accuracy (all functions) =  $\pm$  (% of reading + number of digits)

Temperature Coefficient:

Specified accuracy  $\times$  0.1/°C (0-18°C, 28-40°C)

### V $\equiv$ DC Voltage

Range	Resolution	Accuracy	Input Resistance	Max Input
300mV	100 $\mu\text{V}$	0.3% +2	>1000 M $\Omega$	
3V	1mV	0.3% +2	11 M $\Omega$	$\pm$ 1000 V DC or 750 Vrms
30V	10mV	0.4% +1	10 M $\Omega$	
300V	100mV	0.4% +1	10 M $\Omega$	
1000V	1V	0.4% +1	10 M $\Omega$	

Effective Common Mode Rejection Ratio (1k $\Omega$  imbalance):  
>120 dB @ 50 or 60 Hz  $\pm$  0.1%

### V $\sim$ AC Voltage (40Hz - 1kHz)

Range	Resolution	Accuracy 40-500Hz	Accuracy 500-1kHz	Input Resistance	Maximum Input
3V	1mV	1.0% +3	—	11M $\Omega$ $\leq$ 50 pF	
30V	10mV	1.0% +3	2.0% +5	10 M $\Omega$ $\leq$ 50 pF	$\pm$ 1000 V DC or 750 Vrms
300V	100mV	1.0% +3	2.0% +5	10 M $\Omega$ $\leq$ 50 pF	
750V	1V	1.0% +3	2.0% +5	10 M $\Omega$ $\leq$ 50 pF	

1-12

V  $\sim$  and A  $\sim$  are averaging responding, calibrated for the rms value of sine waves.

### A $\equiv$ DC Current

Range	Resolution	Accuracy	Burden Voltage	Max Input
300 $\mu\text{A}$	100nA	1.0% +2	< 0.2 V	$\pm$ 0.5A, 500mA / 250V fused
3000 $\mu\text{A}$	1 $\mu\text{A}$	1.0% +2	< 0.2 V	
30mA	10 $\mu\text{A}$	1.0% +2	< 0.25V	10A Range: $\pm$ 10A
300mA	100 $\mu\text{A}$	1.5% +2	< 2.5V	15A / 250V fused
10A	10mA	1.5% +2	< 0.6V	

### A $\sim$ AC Current (40Hz - 1kHz)

Range	Resolution	Accuracy	Burden Voltage	Max Input
300 $\mu\text{A}$	100nA	2.0% +5	< 0.2 Vrms	0.5 Arms, 500mA / 250V fused
3000 $\mu\text{A}$	1 $\mu\text{A}$	2.0% +5	< 0.2 Vrms	
30mA	10 $\mu\text{A}$	2.0% +5	< 0.25 Vrms	10A Range: 10 Arms, 15A / 250V fused
300mA	100 $\mu\text{A}$	2.0% +5	< 2.5 Vrms	
10A	10mA	2.0% +5	< 0.6 Vrms	

### $\Omega$ Resistance

Range	Resolution	Accuracy	Max Test Current	Open Ckt. V	Input Protection
300 $\Omega$	100m $\Omega$	0.7% +2	0.7mA		
3k $\Omega$	1 $\Omega$	0.7% +1	130 $\mu\text{A}$		
30k $\Omega$	10 $\Omega$	0.7% +1	13 $\mu\text{A}$	<1.3V	500 Vrms
300k $\Omega$	100 $\Omega$	0.7% +1	1.3 $\mu\text{A}$		
3M $\Omega$	1k $\Omega$	0.7% +1	130nA		
30M $\Omega$	10k $\Omega$	2.0% +1	130nA		

### $\rightarrow$ ) Continuity Check

Range	Resolution	Continuity Tone	Max Test Current	Open Ckt. V	Input Protection
300 $\Omega$	100m $\Omega$	< approx. 20 $\Omega$	0.7mA	<1.3V	500 Vrms

1-13

### ← Diode Test

Range	Resolution	Accuracy	Test Current	Open Ckt. V	Input Protection
0-2V	1mV	3% +2	0.6mA (Vf = 0.6V)	<3.3V	500 Vrms

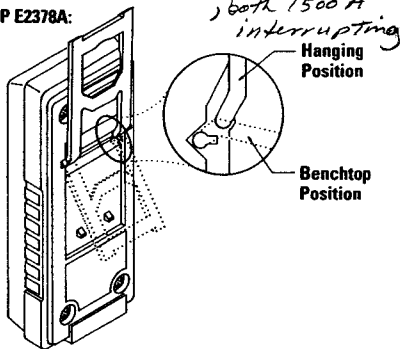
### °C Temperature Test

Range	Resolution	Accuracy (less Sensor Error)	Input Protection	Sensor
-20 to 700°C	1°C	2.0% +2	250 Vrms	Type K

### GENERAL INFORMATION

- Operational temperature: 0 to 40°C, 20-80% RH max (non-condensing)
- Storage temperature: -20 to 70°C, 20-70% RH max (non-condensing)
- Max common mode voltage: ±1000V DC or 750V rms (1000V peak). Any input terminal to ground.
- Power supply: IEC LR03 (AAA) 1.5V x 2
- Battery life: 1000 hours minimum (alkaline batteries)
- Size, E2377A: 80 mm (W) x 176 mm (H) x 45 mm (D)  
E2378A: 89 mm (W) x 186 mm (H) x 45 mm (D)
- Weight, E2377A: Approx 333g (including batteries)  
E2378A: Approx 475g (including batteries)
- Built-in tilt stand
- Accessories: Operating Manual; Test leads; Batteries; Spare fuses, FAST 0.5A/250V and FAST 15A/250V (Bussman GDA - 500mA or equivalent and ABC - 15 or equivalent)

Model HP E2378A:



1-14

## HP E2377A/E2378A MULTIMETER BEDIENUNGSHANDBUCH

### Inhaltsverzeichnis

Sicherheitsinformationen.....	2-1
Sicherheitssymbole.....	2-1
Warnungs- und Vorsichtshinweise.....	2-2
Betriebsweise.....	2-3
Spannungsmessung.....	2-6
Strommessung.....	2-6
Widerstandsmessung.....	2-7
Durchgangsprüfung.....	2-7
Diodentest.....	2-7
Temperaturmessung.....	2-8
Eichung & Funktionstest.....	2-8
Fehlerbehebung & Wartung.....	2-11
Technische Daten.....	2-13
Allgemeine Informationen.....	2-15
HP Garantie/Service.....	7-1

### Sicherheitsinformationen

Beachten Sie die Warnungs- und Vorsichtshinweise auf der nächsten Seite, um eine eigene Gefährdung und die Beschädigung des Multimeters auszuschließen.

### Sicherheitssymbole



Kennzeichnet erforderliche Bezugnahme auf Erklärung im Handbuch.



Kennzeichnet Anschlüsse mit möglichen gefährlichen Spannungen.

2-1

**WARNUNG**

Um Stromschläge oder eine Beschädigung des Multimeters zu vermeiden, dürfen nicht mehr als 1000 VDC oder 750 Veff zwischen irgendeinem Anschluß und Erde angelegt werden. Bei Messungen über 60 VDC oder 42 V Spitze sind vorsichtiges Vorgehen und einwandfreie Meßkabel Voraussetzung.

**WARNUNG**

Möglichkeit von Stromschlägen. Führen Sie keine Messungen aus, wenn das Gehäuse beschädigt oder die Rückseite abgenommen ist. Entfernen Sie alle Meßkabel, bevor Sie die Rückseite abnehmen.

**WARNUNG**

Möglichkeit von Stromschlägen oder Feuer. Setzen Sie das Multimeter keiner Feuchtigkeit aus. Betreiben Sie es nicht in Gegenwart von brennbaren Gasen. Benutzen Sie FAST 500mA/250V oder FAST 15A/250V klassifizierte Sicherungen, falls diese ersetzt werden müssen. (Siehe Unterseite der Abdeckung.)

**WARNUNG**

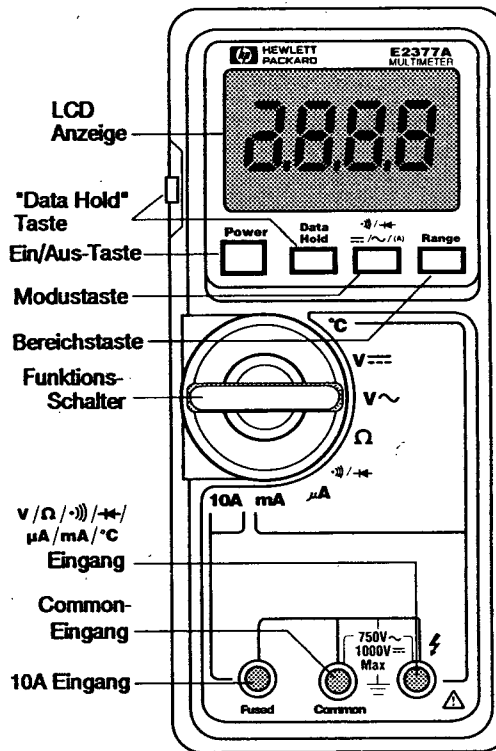
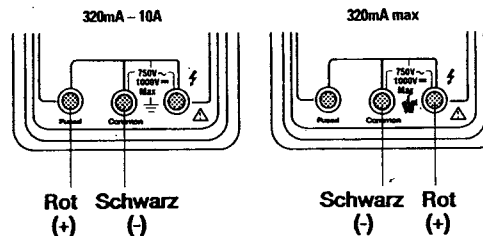
Möglichkeit von Stromschlägen. Eichung und Funktionstests dürfen nur von qualifiziertem Fachpersonal ausgeführt werden. Führen Sie solche Schritte nur dann aus, wenn entsprechendes Fachwissen vorliegt.

**VORSICHT**

Um eine Beschädigung des Multimeters bei Messungen über 500V DC oder AC zu vermeiden, sind die Meßkabel abzuklemmen, bevor eine andere Funktion gewählt wird. Überschreiten Sie nicht die nachfolgend dargestellten Grenzwerte.

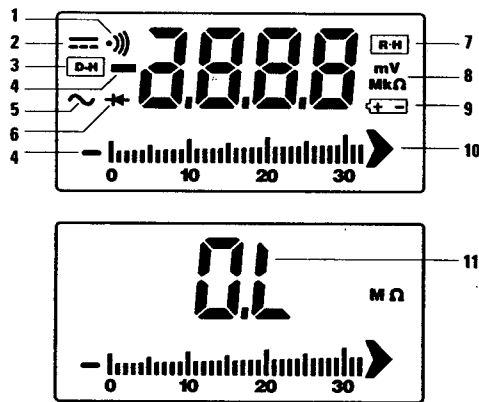
FUNKTION	MAXIMALER EINGANG
V $\overline{=}$ / V $\sim$	$\pm 1000V$ DC/750 Veff
320 $\mu A$ - 320 mA $\overline{=}$ / $\sim$	$\pm 0,5A$ DC/0,5 Aeff **
10 A $\overline{=}$ / $\sim$	$\pm 15A$ DC/15 Aeff **
$\Omega$ / $\cdot$ / $\div$ / $\pm$	$\pm 500V$ eff
$^{\circ}C$	$\pm 250V$ eff

2-2 Max. Spannung Anschluß - Erde:  $\pm 1000$  V Spitze/750 Veff.  
 \*\*Von 250 Veff Quelle (Maximum).

**Betriebsweise****Bedienfeld-Beschreibung****Anschließen der Meßkabel**

2-3

## Anzeige-Beschreibung



### Selbsttest beim Einschalten

Beim Einschalten des Multimeters werden während des Selbsttests für etwa 2 Sekunden alle Anzeigeelemente angezeigt. Das Multimeter ertönt kurz und ist danach messbereit.

### Anzeige

Die Anzeige besteht aus 3 ½ Ziffern und einer Analoganzeige. Die Ziffern haben ein Maximum von 3200 und werden 2 mal pro Sekunde aktualisiert. Die Analoganzeige enthält 33 Segmente (100 Einheiten/Segment) und wird 12 mal pro Sekunde aktualisiert.

### Eingangsoberlastung

Wenn "OL" angezeigt wird, überschreitet die anliegende Meßgröße den Meßbereich. Die Stellung des Dezimalpunkts hängt vom gewählten Meßbereich ab. "OL" erscheint nicht bei Überschreitungen des 1000V DC bzw. 750V AC oder dem 10A Meßbereich.

### Modus-Auswahl

Über die Modustaste kann die Durchgangsprüfung oder der Diodentest eingestellt werden, wenn der Funktionsschalter sich in der / Position befindet. Es wird DC () oder AC () gewählt, wenn der Funktionsschalter auf  $\mu\text{A}$ , mA oder 10A eingestellt ist.

2-4

- 1. Durchgangsprüfungs-Modus
- 2. DC Spannungs- oder Strom-Modus
- 3. "Data Hold" Modus
- 4. Polaritätszeichen - DC Meßwert ist negativ
- 5. AC Spannungs- oder Strom-Modus
- 6. Diodentest-Modus
- 7. "Range Hold" Modus
- 8. Meßeinheiten für:
  - Spannung
  - Widerstand
  - Strom - OHNE Einheiten
  - Temperatur - OHNE Einheiten
- 9. Niedere Batteriespannung
- 10. Analoganzeige - grafische Darstellung des Meßwerts
- 11. Overload - Meßwert zu groß

### Niedere Batteriespannung

Das Symbol erscheint bei einer zu schwachen Batteriespannung. Wechseln Sie die Batterien so bald wie möglich aus.

### Automatische Bereichswahl

Nach dem Einschalten nimmt das Multimeter die Bereichswahl automatisch vor, d.h. es wird jeweils der Bereich mit der besten Auflösung eingestellt. Beim Umschalten in einen höheren Bereich wird kurz "OL" angezeigt, für einen kleineren Bereich wird die Anzeige kurz gelöscht. (Umschaltgeschw. = 6 Bereiche/Sek)

### Manuelle Bereichswahl

Die Bereichstaste "Range" hebt die automatische Bereichswahl auf und erlaubt die Wahl eines festen Meßbereichs. Es wird "OL" angezeigt, wenn ein Meßwert zu groß für den gewählten Bereich ist. Verwenden Sie die Bereichstaste, um in den nächsthöheren Meßbereich umzuschalten.

2-5

### Verwenden von "Range"

Wählen Sie die gewünschte Meßfunktion (Spannung, Strom, Widerstand - nicht die  $\rightarrow$ ) oder  $\leftarrow$  Funktion). Drücken Sie "Range" (es ertönt ein Ton und R-H wird angezeigt). Drücken Sie erneut "Range", um zum nächsthöheren Bereich zu wechseln. Das Multimeter gibt jeweils ein Tonsignal aus.

### Rückkehr zur autom. Bereichswahl

Halten Sie "Range" 1 Sekunde gedrückt (es ertönt ein Tonsignal, wonach der Bereich wieder automatisch gewählt wird).

### "Data Hold" Taste

Diese Taste dient zum Festhalten eines Meßwerts in der Anzeige und ist bei jeder Meßfunktion zulässig.

### Verwenden von "Data Hold"

Drücken Sie "Data Hold", worauf der Meßwert angezeigt bleibt. Als Kennzeichnung erscheint D-H in der Anzeige. Erneutes Drücken der Taste deaktiviert diesen Modus.

### DC & AC Spannungsmessung

1. Stellen Sie den Funktionsschalter für Gleichspannung (DC) auf  $V \text{ ---}$ , für Wechselspannung (AC) auf  $V \sim$ .
2. Schließen Sie die Meßkabel an den zu messenden Schaltkreis an (SCHWARZ an Masse und ROT an den Meßpunkt). Überschreiten Sie nicht 1000V DC oder 750 Veff, da "OL" für diese Bereiche nicht angezeigt wird.
3. Lesen Sie den Meßwert ab.

### DC & AC Strommessung

1. Stellen Sie für Ströme  $<320\text{mA}$  den Funktionsschalter auf "mA" oder " $\mu\text{A}$ ", für Ströme zwischen 320 mA und 10A auf "10A".
2. Schließen Sie das rote Meßkabel an die rechte (für " $\mu\text{A}$ "/"mA") oder die linke Anschlußbuchse (für "10A" Messungen) an. Schließen Sie das schwarze Meßkabel an die mittlere Anschlußbuchse ("Common") an.

2-6

3. Drücken Sie die Modustaste  $\text{---}/\sim$  (A) zur Einstellung von AC. Drücken Sie die Taste erneut, um zum DC Modus zurückzukehren.

4. Schließen Sie die Meßkabel in Reihe mit dem zu messenden Schaltkreis an (rotes Kabel zur positiven Seite - schwarzes Kabel zur negativen Seite). Es gibt keine "OL" Anzeige für den 10A Meßbereich. Dieser ist durch eine 15A Sicherung geschützt.

### Widerstandsmessung

1. Unterbrechen Sie alle Spannungen für den zu messenden Schaltkreis.
2. Stellen Sie den Funktionsschalter auf  $\Omega$ .
3. Schließen Sie die Meßkabel an den zu messenden Schaltkreis an und lesen Sie den Meßwert ab, nachdem er sich stabilisiert hat.

### Durchgangsprüfung

1. Unterbrechen Sie alle Spannungen für den zu messenden Schaltkreis.
2. Stellen Sie den Funktionsschalter auf  $\rightarrow$ )/ $\leftarrow$ .
3. Falls auf der linken Seite nicht das Symbol  $\rightarrow$ ) angezeigt wird, ist die Modustaste  $\rightarrow$ )/ $\leftarrow$  zu drücken, bis  $\rightarrow$ ) angezeigt wird.
4. Schließen Sie die Meßkabel an die zwei Meßpunkte an. Es wird der gemessene Wert angezeigt; falls er unter ca. 20  $\Omega$  liegt, gibt das Multimeter zusätzlich einen Dauerton aus.

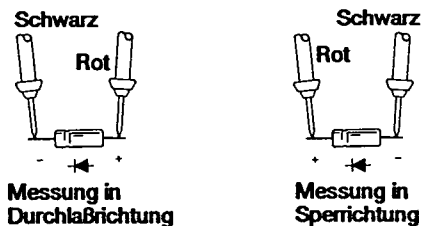
### Diodentest

1. Unterbrechen Sie alle Spannungen für den zu messenden Stromkreis.
2. Stellen Sie den Funktionsschalter auf  $\rightarrow$ )/ $\leftarrow$ .
3. Falls auf der linken Seite nicht das Symbol  $\leftarrow$  angezeigt wird, ist die Modustaste  $\rightarrow$ )/ $\leftarrow$  zu drücken, bis  $\leftarrow$  angezeigt wird.

2-7

4. Messung in Durchlaßrichtung: Schließen Sie die Meßkabel wie dargestellt an. Für eine normale Diode wird eine Durchlaßspannung zwischen 0,4 und 0,7 V angezeigt.

5. Messung in Sperrichtung: Schließen Sie die Meßkabel wie dargestellt an. Für eine normale Diode wird "OL" angezeigt. Werte um 0 mV deuten auf eine kurzgeschlossene Diode.



### Temperaturmessung (Typ-K Th. element)

1. Stellen Sie den Funktionsschalter auf °C.
2. Schließen Sie ein Typ-K Thermoelement an die rechte und mittlere Anschlußbuchse an. Das Kurzschließen der Eingänge zeigt die Umgebungstemperatur an.
3. Folgen Sie der Meßanleitung für das Thermoelement. Die gemessenen Werte werden in °C angezeigt.

## Eichung & Funktionstest

### Erforderliche Testausrüstung

Verwenden Sie Testgeräte, welche den nachstehenden Genauigkeitsgrenzen entsprechen.

	Funktion				
	DCV	ACV	DCI	ACI	≤3MΩ >3MΩ
Mindest-Genauigkeit	,03%	,1%	,1%	,2%	,07% ,2%

\*C Funktion: Thermometer genau auf ±0,1 °C.

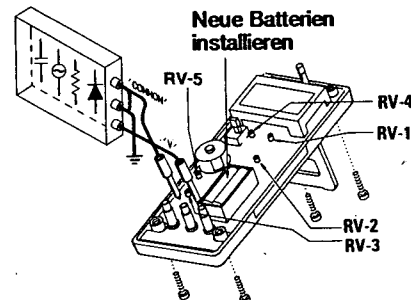
## Eichung

Umgebungsbedingungen für Eichung:  
23 °C ± 5 °C, <80% rel. Luftfeuchtigkeit  
Eichperiode: 1 Jahr Minimum

1. Ziehen Sie alle Meßkabel vom Multimeter ab und nehmen Sie die Rückseite ab (siehe "Abnehmen der Rückseite").
2. Setzen Sie neue Batterien ein (Alkali-Microzellen, IEC LR03) und schließen Sie das Gehäuse. Schalten Sie das Multimeter ein und warten Sie ca. 30 Minuten; nehmen Sie danach die Abdeckung erneut ab.
3. Stellen Sie das Multimeter sowie das Eichgerät entsprechend folgender Tabelle ein. Schließen Sie das Eichgerät an den rechten und mittleren Anschluß ("Common") an, wie nachstehend abgebildet.
4. Nehmen Sie folgende 5 Abgleichungen vor, um die Grenzwerte zu erfüllen.

Abgleichung	Funktion & Bereich	Eingang	Abgleichgrenzen
RV-1	V $\equiv$ DCV 300 mV	300,00 mV	299,8-300,2
RV-2	V $\equiv$ DCV 3V	3,0000V	2,998-3,002
RV-3	V $\sim$ ACV 3V	3,0000V (100 Hz)	2,997-3,003
RV-4	°C	Kurzschluß	Raumtemp ±2
RV-5	A $\equiv$ 10A	10,000A	9,93-10,07

5. Setzen Sie die Rückabdeckung wieder auf. (Siehe "Schließen des Gehäuses".)



## Funktionstests

Verwenden Sie hierzu Geräte, wie unter "Erforderliche Testausrüstung" beschrieben.

Umgebungsbedingungen für Funktionstests:  
23°C ± 5°C, <80% rel. Luftfeuchtigkeit

Stufe	Funktion & Bereich	Prüf- eingang	Toleranz (Zählungen)
1	V $\equiv$ DCV	300 mV	Kurzschluß ±2
2		300 mV	300,00 mV ±11
3		3 V	3,0000 V ±11
4		30 V	30,000 V ±13
5		300 V	300,00 V ±13
6		1000 V	1000,0 V ±5
7	V $\sim$ ACV	3 V	Kurzschluß ±3
8		3 V	3,0000V (100 Hz) ±33
9		30 V	30,000V (100 Hz) ±33
10			(600 Hz) ±65
11		300 V	300,00V (100 Hz) ±33
12			(600 Hz) ±65
13		750 V	750,0 V (100 Hz) ±10,5
14			(600 Hz) ±20
15	A $\equiv$ DCI	300µA	Kurzschluß ±2
16		300µA	300,00µA ±32
17		3mA	3,0000mA ±32
18		30mA	30,000mA ±32
19		300mA	300,00mA ±47
20		10 A	10,000 A ±17
21	A $\sim$ ACI	300µA	Kurzschluß ±5
22		300µA	300,00µA ±65
23		3mA	3,0000mA ±65
24		30mA	30,000mA (100 Hz) ±65
25		300mA	300,00mA (100 Hz) ±65
26		10 A	10,000 A (100 Hz) ±25
27	$\Omega$ Ohm	300 $\Omega$	Kurzschluß ±2
28		300 $\Omega$	300,00 $\Omega$ ±22
29		3k $\Omega$	3,0000k $\Omega$ ±22
30		30k $\Omega$	30,000k $\Omega$ ±22
31		300k $\Omega$	300,00k $\Omega$ ±22
32		3M $\Omega$	3,0000M $\Omega$ ±22
33		30M $\Omega$	30,000M $\Omega$ ±61
34	$\rightarrow$ ) Durchgangs- prüfung	0-30 $\Omega$	Tonsignal ca. <20 $\Omega$
35	$\rightarrow$ Diode- test	1,000 VDC	±32
36	°C Temperatur- messung	Kurzschluß	Raumtemperatur ±2,5*

\*Temp.-Messung mit Thermometergenauigkeit bis 0,1°C.

2-10

## Fehlerbehebung & Wartung

Gehen Sie bei der Fehlersuche wie folgt vor:

PROBLEM	MÖGLICHE URSACHE/ABHILFE
Kein Anzeigewert sichtbar nach dem Einschalten.	Batteriespannung zu niedrig. Batterien ersetzen.
Unstabile Anzeige.	Störende Induktionsquelle in der Nähe - Gerät woanders aufstellen.
Keine Messungen im µA und mA Bereich möglich.	Sicherung ist durchgebrannt. Sicherung ersetzen (in Rückabdeckung).

### Öffnen und Schließen des Gehäuses

Zum Eichen und Austauschen der Batterien und Sicherungen muß die Rückabdeckung abgenommen werden. Beachten Sie Vorsichtsmaßnahmen gegen statische Entladungen, wenn das Gehäuse geöffnet ist.

### Abnehmen der Rückseite

- Lösen Sie die 4 M3 (E2377A) oder M4 (E2378A) Schrauben in den Ecken der Rückseite (siehe folgende Abbildung).
- Heben Sie vorsichtig das Oberteil ab. Die PC Karte und die Rückseite sind nicht trennbar.

### Schließen des Gehäuses

- Das HP E2378A hat eine Gummidichtung, um wasserdicht zu sein; sie muß eingelegt sein, bevor die Rückseite angeschraubt wird.
- Setzen Sie vorsichtig das Oberteil auf das Gehäuseunterteil; ggf. muß der Funktionsschalter gedreht werden, um eine Ausrichtung zu ermöglichen.
- Ziehen Sie abwechselnd diagonal liegende Schrauben an. Sorgen Sie für das dichte Anliegen der Gehäuseteile, überdrehen Sie jedoch nicht die Schrauben.

2-11

### Wasserdichtheit

Das HP E2378A hat ein abgedichtetes Gehäuse, um wasserdicht zu sein, d.h. es entspricht den Bedingungen gemäß IEC 529/1976 IPX3. Dies bedeutet nicht, daß das Multimeter unter Wasser betrieben werden kann.



#### WARNUNG

Betreiben Sie das HP E2378A nicht mit Wasser auf dem Gehäuse. Sollte es naß werden, so ist es zuerst abzutrocknen.

### Batterien/Sicherungen wechseln

**Hinweis:** Hierzu ist das Gehäuse zu öffnen. Entfernen Sie alle Anschlüsse, bevor Sie die Rückseite des Multimeters abnehmen.

### Ersetzen der Batterien

Sinkt während dem Betrieb die Batteriespannung zu sehr ab, erscheint das  $\left[ \pm \right]$  Symbol in der Anzeige. Ersetzen Sie so bald möglich die Batterien, indem Sie die Rückseite abnehmen. Setzen Sie 2 neue Alkali-Microzellen (IEC LR3) ein; beachten Sie die richtige Polarität. Schließen Sie das Gehäuse, wie zuvor erklärt.

### Ersetzen der Sicherung

Wenn im "µA", "mA" oder "10A" Bereich keine Messungen vorgenommen werden können, ist wahrscheinlich die Sicherung durchgebrannt. Ersatzsicherungen befinden sich im Innern des Gehäuses (siehe vorangehende Abbildung). Sie müssen als FAST 500 mA/250V für den µA/mA Eingang oder 15A/250V für den 10A Eingang klassifiziert sein. Beachten Sie beim Öffnen und Schließen des Gehäuses vorangehende Anleitungen.

### Technische Daten

(23°C ±5°C, <80% rel. Luftfeucht.)  
Eichperiode: 1 Jahr Minimum

Genauigkeit (alle Funktionen) = ±(% v. Meßwert + Anzahl Stellen)

Temperaturkoeffizient:

Spez. Genauigkeit x 0,1/°C (0-18°C, 28-40°C)

### V $\equiv$ Gleichspannung

BEREICH AUFLÖSUNG GENAUIGKEIT EINGANGS- WIDERSTAND

BEREICH	AUFLÖSUNG	GENAUIGKEIT	EINGANGS- WIDERSTAND
300mV	100µV	0,3%+2	>1000MΩ
3V	1mV	0,3%+2	11MΩ
30V	10mV	0,4%+1	10MΩ
300V	100mV	0,4%+1	10MΩ
1000V	1V	0,4%+1	10MΩ

Max. Eingang: ±1000 VDC oder 750 Veff (alle Bereiche).  
Effektive Gleichtaktunterdrückung (1KΩ unsymmetrisch):  
>120dB @ 50 oder 60 Hz +0,1%

### V $\sim$ Wechselfpannung (40 - 1KHz)

BEREICH AUFLÖSUNG GENAUIGKEIT EINGANGS- WIDERSTAND  
(40-500Hz)(500-1KHz)

BEREICH	AUFLÖSUNG	GENAUIGKEIT	EINGANGS- WIDERSTAND
3V	1mV	1,0%+3	11MΩ<50pF
30V	10mV	1,0%+3	2,0%+5 10MΩ<50pF
300V	100mV	1,0%+3	2,0%+5 10MΩ<50pF
750V	1V	1,0%+3	2,0%+5 10MΩ<50pF

Max. Eingang: ±1000 VDC oder 750 Veff (alle Bereiche)

### A $\equiv$ Gleichstrom

(bis 300 mA mit 0,5A/250V, 10A mit 15A/250V Sicherung geschützt.)

BEREICH AUFLÖSUNG GENAUIGKEIT SPANNUNGS- ABFALL EINGANG

BEREICH	AUFLÖSUNG	GENAUIGKEIT	SPANNUNGS- ABFALL	EINGANG
300µA	100nA	1,0%+2	<0,2V	±0,5A
3000µA	1µA	1,0%+2	<2,0V	±0,5A
30mA	10µA	1,0%+2	<0,25V	±0,5A
300mA	100µA	1,5%+2	<2,5V	±0,5A
10A	10mA	1,5%+2	<0,6V	±10A

V $\sim$  und A $\sim$  messen den Mittelwert und sind auf den Effektivwert von Sinuswellen kalibriert.



**A~ Wechselstrom**  
(bis 300 mA mit 0,5A/250V, 10A mit 15A/250V Sicherung geschützt.)

BEREICH	AUFLÖSUNG	GENAUIGKEIT	SPANNUNGS-ABFALL	MAX. EINGANG
300µA	100nA	2,0%+5	<0,2Veff	0,5Aeff
3000µA	1µA	2,0%+5	<2,0Veff	0,5Aeff
30mA	100µA	2,0%+5	<0,25V eff	0,5Aeff
300mA	100µA	2,0%+5	<2,5V eff	0,5Aeff
10A	10mA	2,0%+5	<0,6V eff	10Aeff

**Ω Widerstand**  
(Eingangsschutz = 500Veff)

BEREICH	AUFLÖSUNG	GENAUIGKEIT	MAX. STROM	LEERLAUF-SPANNUNG
300Ω	100mΩ	0,7%+2	0,7mA	<1,3V
3kΩ	1Ω	0,7%+1	130µA	<1,3V
30kΩ	10Ω	0,7%+1	13µA	<1,3V
300kΩ	100Ω	0,7%+1	1,3µA	<1,3V
3MΩ	1kΩ	0,7%+1	130nA	<1,3V
30MΩ	10kΩ	2,0%+1	130nA	<1,3V

**•)) Durchgangsprüfung**  
(Eingangsschutz = 500Veff)

BEREICH	AUFLÖSUNG	AKUSTISCHE SCHWELLE	MAX. STROM	LEERLAUF-SPANNUNG
300	100mΩ	<ca. 20Ω	0,7mA	<1,3V

**↔ Diodentest**  
(Eingangsschutz = 500Veff)

BEREICH	AUFLÖSUNG	GENAUIGKEIT	PRÜF-STROM	LEERLAUF-SPANNUNG
0-2V	1mV	3%+2	0,6mA (Vf=0,6V)	<3,3V

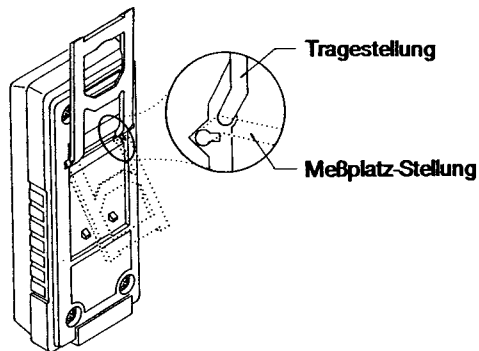
**°C Temperaturmessung**  
(Type-K Thermoelement)

BEREICH	AUFLÖSUNG	GENAUIGKEIT (ohne Fühlerfehler)	EINGANGS-SCHUTZ
-20 bis 700 °C	1°C	2,0%+2	250Veff

**Allgemeine Informationen**

- Betriebstemperatur: 0 bis 40 °C, 20-80% max. rel. Feuchtigkeit (nicht kondensierend)
- Lagertemperatur: -20 bis 70 °C, 20-70% max. rel. Feuchtigkeit (nicht kondensierend)
- Max. Gleichtaktspannung: ±1000V DC oder 750 Veff (1000V Spitze). Beliebiger Eingang gegen Erde.
- Stromversorgung: IEC LR03 (Micro) 2 x 1,5V
- Batterie-Lebensdauer: min 1000 Std. (Alkali)
- Größe,  
E2377A: 80mm (B) X 176mm (H) X 45mm (T)  
E2378A: 89mm (B) X 186mm (H) X 45mm (T)
- Gewicht,  
E2377A: ca. 333g (einschl. Batterien)  
E2378A: ca. 475g (einschl. Batterien)
- Eingebaute Klappstütze
- Zubehör: Bedienungsanleitung; Meßkabel; Batterien; Ersatzsicherung FAST 0,5A/250V (Bussman GDA-500mA oder gleichwertig); FAST 15A/250V (ABC-15 oder gleichwertig)

Modell HP E2378A



## Multimètre HP E2377A/E2378A MANUEL D'UTILISATION Table des matières

Sécurité, résumé.....	3-1
Symboles.....	3-1
Avertissements.....	3-2
Fonctionnement.....	3-3
Mesure d'utilisation de tension.....	3-6
Mesure de courant.....	3-7
Mesure de la résistance.....	3-7
Continuité.....	3-7
Test de diode.....	3-8
Test de température.....	3-9
Etalonnage/Test de fonctionnement.....	3-9
Réparation et maintenance.....	3-12
Spécifications.....	3-14
Informations d'ordre général.....	3-16
Garantie et service après-vente.....	7-1

### SECURITE, RESUME

Les mentions **ATTENTION** et **AVERTISSEMENT** qui apparaissent en page suivante doivent être observées pour votre sécurité et pour maintenir le multimètre en état de fonctionner.

### Symboles



indique que l'utilisateur doit se référer à une explication dans le manuel.



indique des bornes où existent des tensions dangereuses.

**ATTENTION**  
**POUR EVITER UN CHOC ELECTRIQUE** ou d'endommager le multimètre, n'appliquez pas plus de 1000V continu ou 750V eff. entre l'une des bornes et la terre. Soyez prudent lors de l'utilisation de voltages supérieurs à 60V direct ou en présence de pics de 42V. Vérifiez l'état des cordons.

**ATTENTION**  
**RISQUE DE CHOC ELECTRIQUE.** N'effectuez pas de mesure si le boîtier est endommagé ou si le couvercle du multimètre a été retiré. Déconnectez l'appareil de toute source électrique avant de retirer le couvercle arrière.

**ATTENTION**  
**RISQUE DE CHOC ELECTRIQUE ou D'INCENDIE.** Ne placez pas ce multimètre en contact avec la pluie ou l'humidité, ne l'utilisez pas en présence de gaz ou de vapeurs inflammables. Remplacez le fusible par un modèle 500 mA/250V RAPIDE (voyez l'intérieur du couvercle arrière). *2 et 15A/250V*

**ATTENTION**  
**RISQUE DE CHOC ELECTRIQUE.** Les tests d'étalonnage et de vérification des performances doivent être effectués par un personnel qualifié uniquement : ne tentez pas ces opérations vous-même.

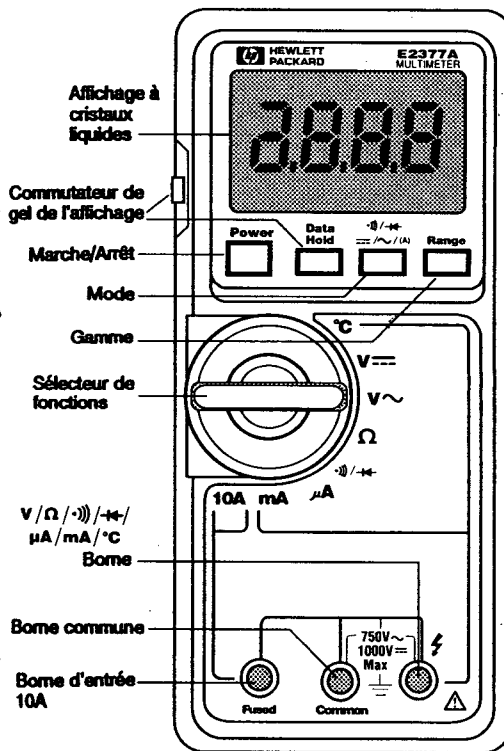
**AVERTISSEMENT**  
 Pour éviter d'endommager le multimètre en présence de tensions supérieures à 500V continu ou alternatif, débranchez les sondes avant de changer de fonction. Ne dépassez jamais les limites d'entrée définies par le tableau ci-dessous, sous peine d'endommager le multimètre.

FONCTION	LIMITES D'ENTREE
V $\equiv$ / V $\sim$	$\pm 1000V$ cc/750 V eff.
320 $\mu A$ - 320 mA $\equiv$ / $\sim$	$\pm 0,5A$ cc/0,5 A eff. **
10 A $\equiv$ / $\sim$	$\pm 15A$ cc/15 A eff. **
n / $\cdot$ / $\div$ / $\pm$	$\pm 500V$ eff.
$^{\circ}C$	$\pm 250V$ eff.

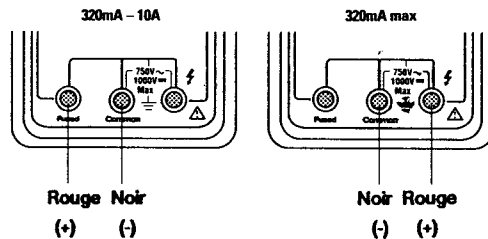
Tension maximale entre une borne et la terre :  
 Crête de 1 000V/750 V eff.  
 \*\*A partir d'une source de 250 V eff. (maximum).

## FONCTIONNEMENT

### Panneau avant



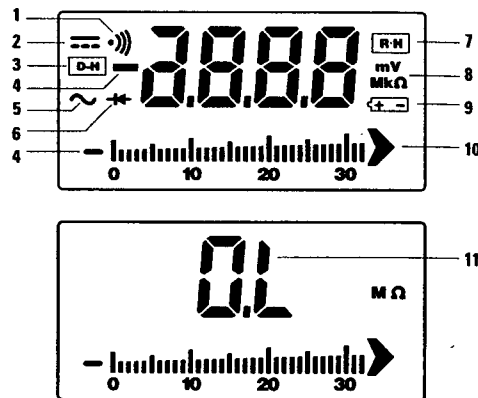
### Connexion des cordons de test



Rouge Noir  
 (+) (-)

Noir Rouge  
 (-) (+)

## L'affichage



### Auto-test de mise sous tension

Lorsque le multimètre est mis sous tension, tous les segments de l'affichage apparaissent pendant 2 secondes. Ensuite, l'instrument émet un signal sonore et commence la mesure.

### Affichage

Il est formé de chiffres de 3,5 avec barres graphiques. Le comptage maximal est de 3200 et l'échantillonnage se fait 2 fois par seconde. L'affichage graphique comporte 33 segments (100 comptes/segment), il est échantillonné 12 fois par seconde.

### Tension faible de la pile

Le symbole  $\leftarrow -$  apparaît lorsque la pile faiblit. Remplacez-la aussi vite que possible pour éviter une perte de précision ou une fuite de la pile.

### Surcharge (Overload)

Le signe « O.L » apparaît lorsque l'entrée dépasse la gamme d'affichage. Le point décimal se déplace selon la gamme. Il n'y a pas d'affichage OL pour les entrées dépassant le maximum dans les gammes de 1000V cc et de 750V CA ou dans la gamme de courant de 10A.

3-4

1. Mode de vérification de continuité
2. Mode tension continue ou courant
3. Commutateur de gel de l'affichage
4. Polarité - la valeur mesurée est négative
5. Mode tension ou courant alternatif
6. Mode de test de diode
7. Mode de sélection manuelle de gamme
8. Unités de mesure de :
  - Tension
  - Résistance
  - Courant - unités NON indiquées
  - Température - unités NON indiquées
9. Tension faible de la pile
10. Affichage graphique - indique la valeur mesurée de manière graphique
11. Surcharge - l'entrée est trop importante pour être affichée

### Sélection du mode

Le sélecteur de mode choisit le mode ohms, test de continuité ou test de diode lorsque le sélecteur de fonction est dans la position  $\Omega / \rightarrow$ . Il choisit CC(=) ou CA(∩) lorsque le sélecteur de fonction est dans la position  $\mu A$ , mA ou 10A.

### Autorange (commutation de gamme automatique)

A la mise sous tension, le multimètre est en mode Autorange, et il choisit la gamme offrant la meilleure résolution. L'affichage indique brièvement une surcharge (OL) lorsqu'une gamme supérieure est choisie. L'affichage s'efface et se vide brièvement lorsqu'une gamme inférieure est choisie. La vitesse est de six gammes par seconde.

3-5

### Sélection manuelle de gamme

Le mode Range Hold annule le choix automatique de gamme et permet le choix d'une gamme fixe. L'affichage indiquera une surcharge (O.L) si la valeur est trop importante pour être affichée (utilisez le sélecteur de gamme (RANGE) pour passer à la gamme supérieure).

### Pour utiliser la sélection de gamme

Choisissez une fonction de tension, de courant ou de résistance (la sélection manuelle Range Hold ne peut être utilisée pour les fonctions  $\cdot\text{))}$  ou  $\cdot\text{+}$ ). Appuyez sur la touche Range (le multimètre émet un signal sonore et affiche RH). La gamme change après chaque pression sur Range. Le multimètre émet un signal sonore et passe à la gamme supérieure ; lorsque la gamme la plus élevée est atteinte, il revient à la gamme la moins élevée.

### Pour revenir en commutation de gamme automatique :

Appuyez sur la touche Range pendant une seconde (le multimètre émet un signal sonore et repasse en mode de commutation automatique de la gamme).

### MESURES DE TENSION CC & CA

1. Mettez le sélecteur de fonction sur  $V\text{---}$  pour une mesure de tension continue ou sur  $V\sim$  pour une mesure de tension alternative.
2. Reliez les cordons au circuit à mesurer (NOIR sur la masse du circuit et ROUGE sur le point à mesurer. Ne dépassez pas les valeurs d'entrée maximum de 1000V DC ou 750 V eff., souvenez-vous que le symbole de surcharge (O.L) n'apparaît pas dans ces gammes.
3. Lisez la valeur mesurée après stabilisation de l'affichage.

3-6

### Mesures de courant continu et alternatif

1. Mettez le sélecteur de fonction sur « mA » pour les courants inférieurs à 320 mA ou sur « 10A » pour les courants dépassant 320 mA, mais inférieurs à 10A.
2. Connectez le cordon rouge à la borne droite pour « mA » et à la borne de gauche pour les mesures « 10A ». Reliez le cordon noir à la borne du milieu, la « borne commune ».
3. Appuyez sur le sélecteur de Mode  $\text{---}/\sim$  (A) pour choisir le mode CA (AC). Appuyez sur le sélecteur de mode une fois encore pour revenir au mode CC (DC).
4. Reliez les cordons de test en série avec le circuit que vous désirez mesurer (rouge au positif, noir au négatif). Il n'y a pas d'affichage « O.L » dans la gamme d'affichage de 10A. La gamme de 10A est protégée par un fusible de 15A.

### Mesure de résistances

1. Déconnectez toute alimentation au circuit à mesurer.
2. Tournez le sélecteur de fonction sur  $\Omega$ .
3. Reliez les cordons de test au circuit à mesurer et lisez l'affichage après sa stabilisation.

### Continuité

1. Débranchez toute alimentation du circuit à mesurer.
2. Tournez le sélecteur de fonction sur  $\cdot\text{))}/\text{+}$ .
3. Si le symbole  $\cdot\text{))}$  n'est pas affiché sur le côté gauche de l'affichage, appuyez sur la touche de choix du Mode,  $\cdot\text{))}/\text{+}$  jusqu'à ce que  $\cdot\text{))}$  soit affiché.

3-7

4. Relevez les cordons de test aux deux points où vous désirez effectuer le test de continuité. L'affichage indique la résistance en continuité ; si elle est inférieure à 20Ω environ, le multimètre émettra un signal sonore continu en plus de la valeur affichée.

### Test de diode

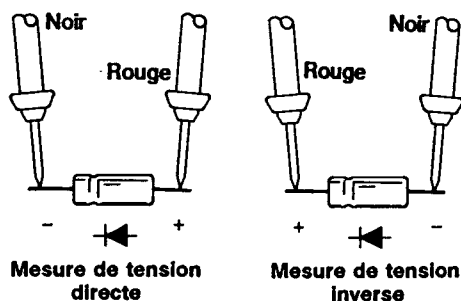
1. Déconnectez toute alimentation du circuit à mesurer.

2. Tournez le sélecteur de fonction sur  $\rightarrow \leftarrow$  /  $\rightarrow \leftarrow$ .

3. Si le symbole  $\rightarrow \leftarrow$  n'est pas affiché à gauche de l'affichage, appuyez sur la touche de choix du Mode  $\rightarrow \leftarrow$  jusqu'à ce qu'il soit indiqué.

4. Relevez les cordons de test pour les mesures de tension directe comme indiqué dans l'illustration suivante. Une diode normale affichera une mesure entre 0,4 and 0,7V.

5. Inversez les cordons pour la mesure de tension inverse, comme illustré ci-dessous. Le tension inverse devrait provoquer l'affichage de « OL » dans le cas d'une diode normale. Une valeur proche de 0 mV indique une diode court-circuitée.



3-8

### Test de température (Thermocouple de type K)

1. Tournez le sélecteur de fonction sur °C.

2. Connectez un thermocouple de type K aux bornes d'entrée (les bornes « V » et Common). La mise en contacts des entrées affichera la température ambiante sans capteur de température.

3. Suivez les instructions du capteur thermocouple de type K pour effectuer vos mesures de température. Le multimètre affiche la température en degrés Celsius (°C).

### TESTS D'ETALONNAGE ET DE FONCTIONNEMENT

#### Equipement nécessaire

Utilisez des sources d'étalonnage de précision égale ou excédant les valeurs suivantes :

	Fonction					
	DCV	ACV	DCI	ACI	≤3MΩ	>3MΩ
Précision minimum	0,03%	0,1%	0,1%	0,2%	0,07%	0,2%

Fonction °C : Thermomètre d'une précision de l'ordre de ±0,1 °C.

#### Etalonnage

Gamme de température ambiante requise :  
23°C ± 5°C, <80% d'humidité relative (HR)  
Période d'étalonnage : un an minimum

1. Débranchez toutes entrées du multimètre, ouvrez le boîtier (voir le paragraphe « Ouverture du boîtier »).

2. Installez des piles neuves (type AAA, alcalines, norme IEC LR03) et refermez le boîtier. Mettez le multimètre sous tension et laissez la température se stabiliser, puis ouvrez le boîtier comme prévu à l'étape 1.

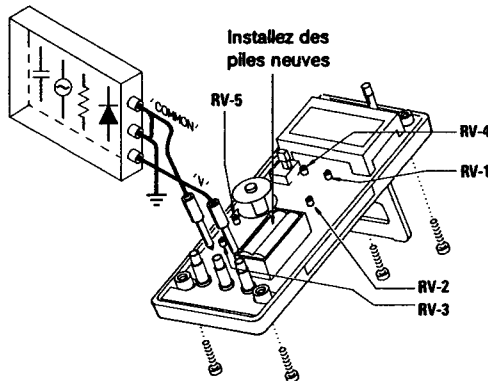
3. Réglez le sélecteur de fonction et la touche Range, ainsi que la sortie de la source d'étalonnage comme spécifié dans le tableau. Relevez la source d'étalonnage aux bornes « V » et Common, comme indiqué dans l'illustration ci-dessous.

3-9

4. Effectuez les cinq réglages suivants pour que le multimètre se trouve dans les limites de réglage:

REGLAGE	FONCTION & GAMME	ENTREE	LIMITES REGLAGE
RV-1	V $\equiv$ DCV 300 mV	300,00 mV	299,8-300,2
RV-2	V $\equiv$ DCV 3V	3,0000V	2,998-3,002
RV-3	V $\sim$ ACV 3V	3,0000V (100 Hz)	2,997-3,003
RV-4	$^{\circ}$ C	Court-c	Temp. amb. +2
RV-5	A $\equiv$ DCI 10A	10,000A	9,93-10,07

5. Fermez le boîtier (lisez « Fermer le boîtier »).



## Tests de fonctionnement

Utilisez les sources comme indiqué dans la partie consacrée à la rubrique des équipements de test nécessaires.

Gamme de température ambiante :  
23 $^{\circ}$ C $\pm$ 5 $^{\circ}$ C, <80% HR

ETAPE	FONCTION ET GAMME (comptes)	TEST ENTREE	TOLERANCE
1	V $\equiv$ DCV 300 mV	Court-c.	$\pm$ 2
2	300 mV	300,00 mV	$\pm$ 11
3	3 V	3,0000 V	$\pm$ 11
4	30 V	30,000 V	$\pm$ 13
5	300 V	300,00 V	$\pm$ 13
6	1000 V	1000,0 V	$\pm$ 5
7	V $\sim$ ACV 3 V	Court-c.	$\pm$ 3
8	3 V	3,0000V (100 Hz)	$\pm$ 33
9	30 V	30,000V (100 Hz)	$\pm$ 33
10		(600 Hz)	$\pm$ 65
11	300 V	300,00V (100 Hz)	$\pm$ 33
12		(600 Hz)	$\pm$ 65
13	750 V	750,0 V (100 Hz)	$\pm$ 10,5
14		(600 Hz)	$\pm$ 20
15	A $\equiv$ DCI 300 $\mu$ A	Court-c.	$\pm$ 2
16	300 $\mu$ A	300,00 $\mu$ A	$\pm$ 32
17	3mA	3,0000mA	$\pm$ 32
18	30mA	30,000mA	$\pm$ 32
19	300mA	300,00mA	$\pm$ 47
20	10 A	10,000 A	$\pm$ 17
21	A $\sim$ ACI 300 $\mu$ A	Court-c.	$\pm$ 5
22	300 $\mu$ A	300,00 $\mu$ A	$\pm$ 65
23	3mA	3,0000mA	$\pm$ 65
24	30mA	30,000mA (100 Hz)	$\pm$ 65
25	300mA	300,00mA (100 Hz)	$\pm$ 65
26	10 A	10,000 A (100 Hz)	$\pm$ 25
27	$\Omega$ OHMS 300	Court-c.	$\pm$ 2
28	300 $\Omega$	300,00 $\Omega$	$\pm$ 22
29	3 k $\Omega$	3,0000k $\Omega$	$\pm$ 22
30	30 k $\Omega$	30,000k $\Omega$	$\pm$ 22
31	300 k $\Omega$	300,00k $\Omega$	$\pm$ 22
32	3 M $\Omega$	3,0000M $\Omega$	$\pm$ 22
33	30 M $\Omega$	30,000M $\Omega$	$\pm$ 61
34	.))) Continuité	0-30 $\Omega$	TONALITE Approx. <20 $\Omega$
35	$\rightarrow$ Test de diode	1,000 VCC	$\pm$ 32
36	$^{\circ}$ C Test de températ.	Court-c.	Temp. amb. +2,5*

\*Température ambiante mesurée avec un thermomètre d'une précision de 0,1 degré Celsius.

## DEPANNAGE ET ENTRETIEN

Le tableau suivant vous aidera à déterminer la cause du problème qui vous occupe.

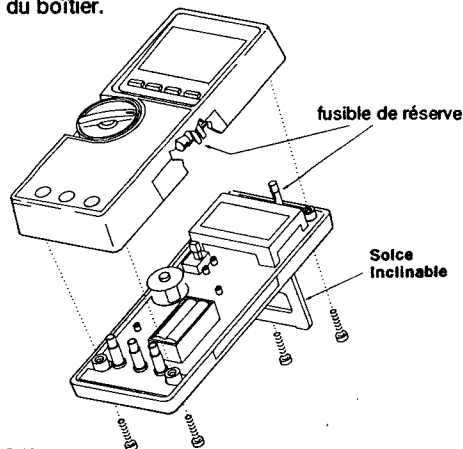
PROBLEME	CAUSE POSSIBLE
Pas d'affichage sur l'écran à la mise sous tension.	Piles faibles. Remplacez les piles.
Affichage instable.	Le multimètre se trouve près d'une source de bruit induit. Déplacez-le.
Mesures impossibles dans la gamme mA.	Fusible fondu. Remplacez le fusible (fusible de rechange ds le couvercle).

### Ouverture et fermeture du boîtier

Le dessus du boîtier doit être détaché de la partie inférieure pour le remplacement des piles ou des fusibles, ou pour effectuer la calibration. Protégez-vous contre l'électricité statique lorsque vous travaillez avec le multimètre, boîtier ouvert.

#### Ouverture du boîtier

1. Dévissez les quatre vis M3 (E2377A) ou M4 (E2378A) aux coins du dessous du boîtier (voyez l'illustration ci-dessous).
2. Soulevez prudemment la partie supérieure du boîtier. Le circuit imprimé ne peut être séparé du fond du boîtier.



3-12

### Fermeture du boîtier

1. Le HP E2378A est muni d'un joint de caoutchouc qui améliore son étanchéité. Il doit être replacé avant la fermeture du boîtier.

2. Placez la partie supérieure du boîtier sur le circuit imprimé et le fond. Faites éventuellement pivoter le sélecteur de fonction pour l'aligner correctement.

3. Serrez les vis diagonalement opposées. Lorsque le couvercle est fixé, assurez-le en serrant les vis une dernière fois.

### Etanchéité

Le boîtier du HP E2378A possède un joint d'étanchéité, selon les normes IEC 529/1976 IPX3. Ceci ne signifie aucunement que le multimètre peut être utilisé sous l'eau ou lorsque le boîtier est humide.



#### ATTENTION

Ne faites pas fonctionner le HP E2378A sous eau, ni si le boîtier est humide. Si c'est le cas, séchez le boîtier avant usage.

### Remplacement de la pile et du fusible

NOTE : il faut ouvrir le boîtier pour ces opérations. Débranchez toute arrivée de courant avant d'ouvrir le boîtier du multimètre.

#### Remplacement de la pile

Pendant le fonctionnement, le symbole  $\pm$  apparaît à l'affichage lorsque la tension fournie par les piles diminue sensiblement. Remplacez les sans délai en ouvrant le boîtier comme décrit ci-dessus. Remplacez-les par des piles alcalines de type IEC LR03, en respectant la polarité. Refermez le boîtier comme indiqué ci-dessus.

#### Remplacement du fusible

Si aucun courant ne peut être mesuré aux réglages  $\mu A$ , mA ou 10A, il est probable que le fusible de protection a fondu. Le boîtier contient des fusibles de remplacement (voir illustration précédente). Le fusible doit être du type 500 mA/250V RAPIDE pour les entrées  $\mu A$ /mA ou de 15A/250V pour les entrées 10A. Ouvrez le boîtier, remplacez le fusible, refermez le boîtier comme indiqué précédemment.

3-13



## SPECIFICATIONS (23°C ±5°C, <80% RH)

Période d'étalonnage : un an minimum

Précision (toutes fonctions) = ±(% de la lecture + nombre de chiffres)

Coefficient de température : Précision de X 0,1/°C (0-18°C, 28-40°C)

### V= Tension continue

GAMME	RESOLUTION	PRECISION	IMPEDANCE D'ENTREE	ENTREE MAX.
300mV	100µV	0,3%+2	>1000 MΩ	
3V	1mV	0,3%+2	11 MΩ	±1000
30V	10mV	0,4%+1	10 MΩ	VCC ou 300V
100mV	100µV	0,4%+1	10 MΩ	750V eff.
1000V	1V	0,4%+1	10 MΩ	(toutes gammes)

Taux de rejet effectif en mode commun (déséquilibre 1KΩ) : >120dB @ 50 ou 60 Hz +0,1%

### V~ Tension alternative (40 - 1KHz)

GAMME	RESOLUTION	PRECISION (40-500Hz)	PRECISION (500-1KHz)	IMPEDANCE D'ENTREE
3V	1mV	1,0%+3	---	11 MΩ<50pF
30V	10mV	"	2,0%+5	10 MΩ<50 pF
300V	100mV	"	"	"
750V	1V	"	"	"

Entrée maximum : ±1000 VCC ou 750 V eff. (toutes gammes)

V~ et A~ sont des valeurs moyennes, étalonnées par la valeur efficace de signaux sinusoïdaux.

### A= Courant continu

(les gammes de 300µA à 300ma ont un fusible de 0,5A/250V, la gamme de 10A, un fusible de 15A/250V.)

GAMME	RESOLUTION	PRECISION	CHUTE DE TENSION	ENTREE MAXIMUM
300µA	100nA	1,0%+2	<0,2V	±0,5A
3000µA	1µA	1,0%+2	<2,0V	±0,5A
30mA	10µA	1,0%+2	<0,25V	±0,5A
300mA	100µA	1,5%+2	<2,5V	±0,5A
10A	10mA	"	<0,6V	±15A

3-14

### A~ Courant alternatif

(40-1KHz, les gammes de 300µA à 300ma ont un fusible de 0,5A/250V, la gamme 10A, un fusible de 15A/250V).

GAMME	RESOLUTION	PRECISION	CHUTE DE TENSION	ENTREE MAXIMUM
300µA	100nA	2,0%+5	<0,2V eff.	0,5 A eff.
3000µA	1µA	2,0%+5	<2,0V eff.	0,5A eff.
30mA	10µA	2,0%+5	<0,25V eff.	0,5 A eff.
300mA	100µA	"	<2,5V eff.	0,5 A eff.
10A	10mA	"	<0,6V eff.	15 A eff.

(pas de fus.)

### Ω Résistance (Protection d'entrée=500V eff.)

GAMME	RESOLUTION	PRECISION	COURANT MAXIMUM	CIRCUIT OUVERT
300Ω	100 mΩ	0,7%+2	0,7 mA	<1,3V
3kΩ	1Ω	0,7%+1	130µA	"
30kΩ	10Ω	"	13µA	"
300kΩ	100Ω	"	1,3µA	"
3MΩ	1 kΩ	"	130 nA	"
30MΩ	10 kΩ	2,0%+1	"	"

### ))) Continuité

(Protection d'entrée = 500V eff.)

GAMME	RESOLUTION	SIGNAL SONORE	COURANT MAXIMUM	CIRCUIT OUVERT
300	100 mΩ	<Approx 20Ω	0,7 mA	<1,3V

### \*\* Test de diode

(Protection d'entrée = 500V eff.)

GAMME	RESOLUTION	PRECISION	COURANT DE TEST	CIRCUIT OUVERT
0-2V	1 mV	3%+2	0,6mA (Vf=0,6V)	<3,3V

### °C Test de température

(Capteur thermocouple de type K)

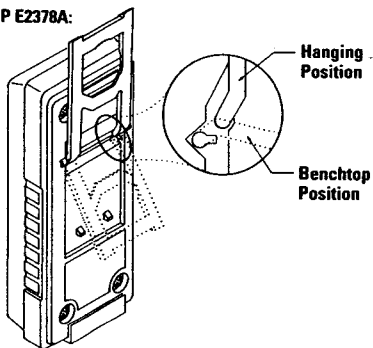
GAMME	RESOLUTION	PRECISION (moins erreur capteur)	PROTECTION
-20 à 700 °C	1°C	2,0%+2	250V eff.

3-15

## INFORMATIONS D'ORDRE GENERAL

- Température de fonctionnement : 0-40 °C, 20-80% HR maximum (hors condensation)
- Température de stockage : -20 à 70 °C, 20-70% HR maximum (hors condensation)
- Tension max en mode commun :  $\pm 1000V$  DC ou 750 V eff. (pic de 1000V). Toute entrée, borne à la terre.
- Alimentation : 2 piles IEC LR03 (type AAA) 1,5V
- Durée de vie des piles : 1000 heures minimum (piles alcalines)
- Taille,  
E2377A : 80mm X 176mm X 45mm  
E2378A : 89mm X 186mm X 45mm
- Poids,  
E2377A : 333g environ, piles comprises  
E2378A : 475g environ, piles comprises
- Socle incorporé
- Accessoires : Manuel d'utilisation ; Cordons de test ; 2 piles ; fusibles 0.5A/250V (Bussman GDA-500mA ou similaire) ; 15A/250V (Bussman ABC-15 ou similaire)

HP E2378A:



3

3-16

## Multímetro HP E2377A/E2378A MANUAL DEL USUARIO

### Indice

Medidas de seguridad.....	4-1
Símbolos.....	4-1
Advertencias.....	4-2
Funcionamiento.....	4-3
Medida de tensión.....	4-6
Medida de corriente.....	4-6
Medida de resistencia.....	4-7
Prueba de continuidad.....	4-7
Prueba de diodo.....	4-7
Prueba de temperatura.....	4-8
Calibración/Pruebas de funcionamiento.....	4-8
Detección de problemas/Mantenimiento.....	4-11
Especificaciones.....	4-14
Información general.....	4-16
Garantía/Servicios de reparación de HP.....	7-1

## MEDIDAS DE SEGURIDAD

Las siguientes **PRECAUCIONES** y **ADVERTENCIAS** deberán observarse a fin de cerciorar la seguridad del operador y para mantener el Multímetro en condiciones óptimas.

### Símbolos de seguridad



Indica que el operador deberá consultar una de las explicaciones de este manual.



Indica terminales en los que pueden producirse niveles peligrosos de tensión.

4

4-1



**ADVERTENCIA.**  
**PARA EVITAR CHOQUES ELECTRICOS**  
y no dañar el multímetro, no aplique más de 1000 V CC ó 750 V eficaces entre las terminales y la tierra física. Tenga cuidado al trabajar con tensiones mayores de 60V CC ó 42V de cresta. Asegúrese de que los cables de prueba estén en buenas condiciones.



**ADVERTENCIA DE CHOQUE ELECTRICO.** No utilice el instrumento si el estuche está dañado o si falta la cubierta trasera. Elimine toda entrada eléctrica antes de quitar la cubierta.



**ADVERTENCIA DE CHOQUE ELECTRICO o de INCENDIO.** No exponga el multímetro a la lluvia o la humedad. No opere la unidad si están presentes gases o vapores inflamables. Al reemplazar el fusible, utilice un fusible FAST 500mA/250V ó FAST 15A/250V (véase el panel trasero).



**ADVERTENCIA DE CHOQUE ELECTRICO.** Las calibraciones y pruebas de funcionamiento las deben efectuar personas calificadas. No intente estos procedimientos a menos que esté calificado para hacerlo.



**PRECAUCION.**  
A fin de no dañar el multímetro en caso de aplicar tensiones mayores de 500V CC o CA, desconecte los cables de prueba antes de cambiar de función. No exceda los límites de entrada máxima mostrados en la siguiente tabla.

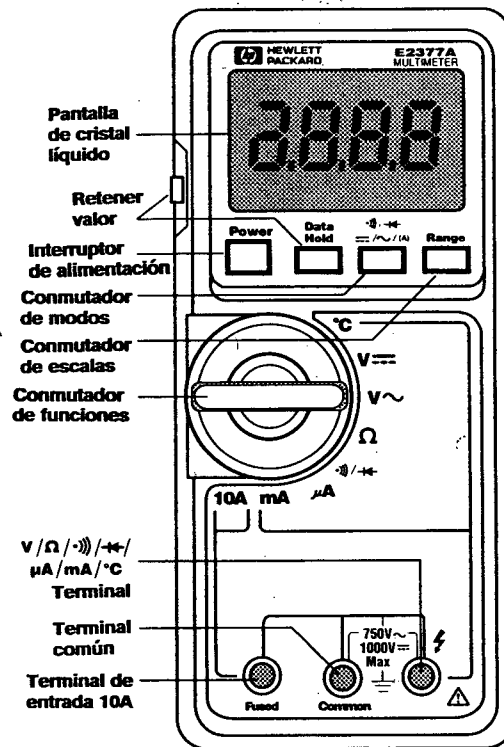
FUNCION	ENTRADA MAXIMA
V $\bar{\bar{=}}$ / V $\sim$	$\pm$ 1000V CC/750 V efic.
320 $\mu$ A - 320 mA $\bar{\bar{=}}$ / $\sim$	$\pm$ 0,5A CC/0,5 A efic.
10 A $\bar{\bar{=}}$ / $\sim$	$\pm$ 15A CC/15 A efic. **
$\Omega$ / $\cdot$ / $\div$ / $\leftrightarrow$	500 V eficaces
$^{\circ}$ C	250 V eficaces

Tensión máxima entre cualquier terminal y tierra física: 1000V de cresta/750 V eficaces.  
\*\*Fuente: 250 V eficaces (máximo).

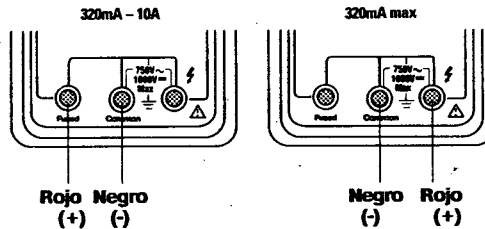
4-2

## FUCIONAMIENTO

### Descripción del panel

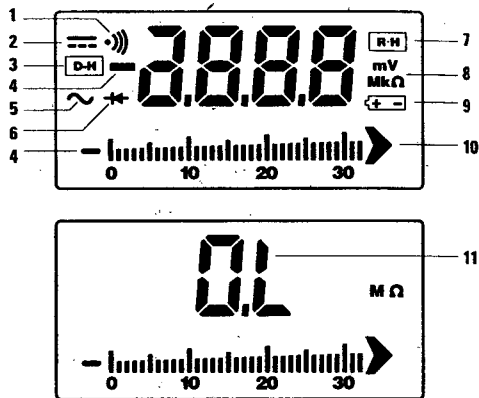


### Conexiones, cables de prueba



4-3

## Descripción de la pantalla



1. Modo prueba de continuidad
2. Modo tensión o corriente CC
3. Modo retención del valor
4. Signo de polaridad - el valor de la medida CC es negativo
5. Modo tensión o corriente CA
6. Modo prueba de diodo
7. Modo escala fija
8. Unidades de medida:
  - Tensión
  - Resistencia
  - Corriente - unidades NO especificadas
  - Temperatura - unidades NO especificadas
9. Baja carga de batería
10. Gráfica de barras—representación gráfica del valor
11. Sobrecarga - entrada excesiva

## Autoverificación inicial

Al encender el multímetro, todos los segmentos de la pantalla se presentan durante 2 segundos para indicar la autoverificación, luego el multímetro emite una señal acústica y principia a funcionar.

## Pantalla

La pantalla muestra 3,5 dígitos y una gráfica de barras. Los dígitos muestran un valor máximo de 3200 y se muestrean 2 veces/segundo. La gráfica de barras tiene 33 segmentos (con una resolución de 100 unidades de medida por segmento) y se muestrea 12 veces/segundo.

## Baja carga de batería

El símbolo  $\pm$  aparece cuando las baterías están a punto de descargarse. Reemplace las baterías lo más pronto posible para evitar la pérdida de precisión o fuga en las baterías.

## Sobrecarga

El mensaje "OL" se presenta si la entrada excede la escala de la pantalla. La ubicación del punto decimal depende de la escala. No se presenta un mensaje "OL" para entradas que exceden el límite de las escalas correspondientes a 1000 V CC y 750 V CA, o la escala de corriente correspondiente a 10A.

## Selección de modos

El Conmutador de Modos selecciona los modos de prueba de continuidad o de diodo cuando el Conmutador de Función está en la posición  $\bullet$  /  $\pm$ . Selecciona CC  $\equiv$  o CA  $\sim$  cuando dicho Conmutador está en las posiciones  $\mu A$ , mA o 10A.

## Escala automática

El multímetro se encuentra en el modo de escala automática y selecciona la escala que produce la mejor resolución. Al seleccionar una escala más alta, se presenta brevemente el mensaje (OL). La pantalla se borra momentáneamente al seleccionar una escala más baja. La velocidad de selección es de 6 escalas/segundo.

## Escala fija

Escala fija (Conmutador de escala) cancela la escala automática y le permite seleccionar una escala fija. Se produce un mensaje de sobrecarga (OL) si la entrada excede los límites de la escala (utilice el Conmutador de Escala para pasar a la próxima escala superior).

### Para utilizar la escala fija:

Seleccione una función de tensión, corriente o resistencia. (La Escala Fija no se puede utilizar con las funciones  $\rightarrow$ ) o  $\rightarrow$ ). Oprima el Conmutador de Escala (el multímetro emitirá un tono y presentará R-H). Oprima el Conmutador de Escala para cambiar de escala. El multímetro emite un tono y pasa a la próxima escala superior. Al alcanzar la escala más alta, el próximo cambio selecciona la escala más baja.

### Para regresar a la escala automática

Oprima el Conmutador de Escalas durante 1 segundo (el multímetro emitirá un tono y regresará al modo de escala automática).

### Retener valor

El conmutador de "Retener valor" se utiliza para retener un la pantalla un valor presentado allí. Esto se puede hacer con todas las funciones del multímetro.

### Para utilizar "Retener valor"

Oprima el conmutador de "Retener valor" y el valor mostrado en ese momento permanecerá en la pantalla, aun cuando varíe la entrada. El símbolo D-H aparecerá en la pantalla durante la retención del valor. Vuelva a oprimir el conmutador "Retener valor" cuando desee desactivar esta función.

### Medidas de tensión CC y CA

1. Fije el conmutador de función en  $V \text{ ---}$  para tensión CC, o en  $V \sim$  para tensión CA.
2. Conecte los cables de prueba al circuito a medir (NEGRO a la tierra del circuito y ROJO al punto a medir). No exceda las entradas máximas de 1000V CC o 750 V eficaces, ya que el mensaje de sobrecarga "OL" no aparece para estas escalas.
3. Obtenga la indicación una vez que se establece la presentación.

### Medidas de Corriente CC y CA

1. Fije el conmutador de Función en "mA" o en " $\mu$ A" para corrientes menores de 320 mA o en "10A" para corrientes mayores de 320 mA pero menores de 10A.
2. Conecte el cable rojo de prueba al terminal derecho para medidas " $\mu$ A" o "mA", y al terminal izquierdo para medidas "10A". Conecte el cable negro de prueba al terminal central ("común").

3. Oprima el Conmutador de Modos  $\text{---}/\sim$  (A) para seleccionar el modo CA. Oprima el Conmutador de Modos otra vez para regresar al modo CC.

4. Conecte los cables de prueba en serie con el circuito a medir (cable rojo con el lado positivo - cable negro con el lado negativo). No se provee un mensaje "OL" para la Función/Escala 10A. La escala 10A está protegida por un fusible de 15A.

### Medidas de resistencia

1. Desconecte todas las fuentes de alimentación del circuito.
2. Fije el conmutador de Función en  $\Omega$ .
3. Conecte los cables de prueba al circuito a medir y obtenga el valor una vez que se establece la presentación.

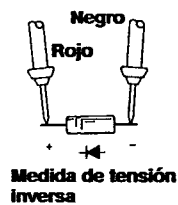
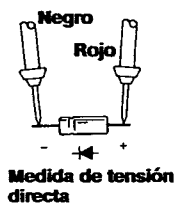
### Prueba de continuidad

1. Desconecte toda fuente de alimentación del circuito a medir.
2. Fije el conmutador de Función en  $\rightarrow$ / $\rightarrow$ .
3. Si  $\rightarrow$  no aparece en la parte izquierda de la pantalla, oprima el conmutador de Modos  $\rightarrow$ / $\rightarrow$  hasta que  $\rightarrow$  aparezca.
4. Conecte los cables de prueba a los dos puntos cuya continuidad desea probar. La resistencia entre los dos puntos se presenta en la pantalla; si es menor de  $20\Omega$ , el Multímetro emitirá un tono continuo además de mostrar el valor.

### Prueba de diodo

1. Desconecte todas las fuentes de alimentación del circuito a medir.
2. Fije el conmutador de Función en  $\rightarrow$ / $\rightarrow$ .
3. Si el símbolo  $\rightarrow$  no aparece en la parte izquierda de la pantalla, oprima el conmutador de Modos  $\rightarrow$ / $\rightarrow$  hasta que  $\rightarrow$  aparezca.
4. Conecte los cables de prueba para medir la tensión directa, como lo muestra la siguiente ilustración. Un diodo normal dará una indicación entre 0,4 y 0,7V.

5. Intercambie los cables para medir la tensión inversa, tal como lo muestra la ilustración. La tensión inversa debe indicar "OL" para un diodo normal. Un valor próximo a 0 mV indica un diodo en cortocircuito.



### Prueba de temperatura

(Termopar tipo "K")

1. Fije el Conmutador de Función en °C.

2. Conecte el sensor de un termopar tipo "K" a los terminales de entrada (el "V" y el "común"). Si se establece un cortocircuito entre las entradas, se mostrará la temperatura ambiente sin necesidad de utilizar un sensor.

3. Siga las instrucciones incluidas con el sensor de termopar tipo "K" para realizar la medida de temperatura. El multímetro mostrará la temperatura en grados centígrados (°C). Para calcular la temperatura en grados Fahrenheit, utilice la fórmula:  $^{\circ}\text{F} = ^{\circ}\text{C} \times 1,8 + 32$ .

## CALIBRACION Y PRUEBAS DE FUNCIONAMIENTO

### Equipos de prueba requeridos

Utilice instrumentos de calibración cuya exactitud satisfaga estas especificaciones:

	Función		Función		$\leq 3\text{M}\Omega$	$> 3\text{M}\Omega$
	DCV	ACV	DCI	ACI		
Exactitud	0,03%	0,1%	0,1%	0,2%	0,07%	0,2%
Mínima						

Función °C: Exactitud  $\pm 0,1$  °C.

### Calibración

Límites ambientales de la calibración:

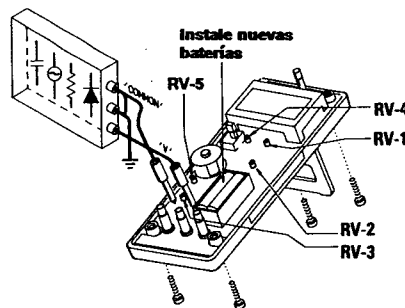
$23^{\circ}\text{C} \pm 5^{\circ}\text{C}$ , <80% HR

Frecuencia de calibración: 1 año (mínimo)

1. Desconecte todas las entradas del Multímetro, y abra el estuche (véase "Cómo abrir el estuche").
2. Instale nuevas baterías (tipo AAA, alcalinas, IEC LR03) y cierre la cubierta. Encienda el Multímetro, espere durante un período de calentamiento de 30 minutos, luego vuelva a abrir el estuche tal como se indicó en el paso 1.
3. Fije la Función y la Escala del Multímetro, y la salida de la fuente de calibración, tal como se especifica en la siguiente tabla. Conecte la fuente de calibración a los terminales "V" y "Común", tal como se muestra en la ilustración que sigue.
4. Efectúe los siguientes cinco ajustes, para que la presentación en la pantalla del Multímetro se encuentre dentro de los límites correspondientes.

Ajuste	Función y Escala	Entrada	Límites de Ajuste
RV-1	V $\equiv$	DCV 300 mV	300,00 mV 299,8-300,2
RV-2	V $\equiv$	DCV 3V	3,0000V 2,998-3,002
RV-3	V $\sim$	ACV 3V	3,0000V (100 Hz) 2,997-3,003
RV-4	°C	Cortocircuito	ambiente $\pm 2$
RV-5	A $\equiv$	DCA 10A	10,000A 9,93-10,07

5. Cierre el estuche (vea la sección correspondiente).



## Pruebas de funcionamiento

Utilice fuentes que satisfagan los requisitos descritos anteriormente para Equipos de Prueba.

Límites ambientales para pruebas de funcionamiento:  
23°C ± 5°C, < 80% RH

Paso	Función y Escala	Entrada Probad	Tolerancia (unidades)
1	V $\overline{\text{---}}$ DCV	300mV	Cortocircuito ±2
2		300mV	300,00mV ±11
3		3V	3,0000V ±11
4		30V	30,000V ±13
5		300V	300,00V ±13
6		1000V	1000,0V ±5
7	V $\sim$ ACV	3V	Cortocircuito ±3
8		3V	3,0000V(100Hz) ±33
9		30V	30,000V(100Hz) ±33
10			(600Hz) ±65
11		300V	300,00V(100Hz) ±33
12			(600Hz) ±65
13		750V	750,0V(100Hz) ±10,5
14			(600Hz) ±20
15	A $\overline{\text{---}}$ DCI	300 $\mu$ A	Cortocircuito ±2
16		300 $\mu$ A	300,00 $\mu$ A ±32
17		3mA	3,0000mA ±32
18		30mA	30,000mA ±32
19		300mA	300,00mA ±47
20		10A	10,000A ±17
21	A $\sim$ ACI	300 $\mu$ A	Cortocircuito ±5
22		300 $\mu$ A	300,00 $\mu$ A(100Hz) ±65
23		3mA	3,0000mA(100Hz) ±65
24		30mA	30,000mA(100Hz) ±65
25		300mA	300,00mA(100Hz) ±65
26		10A	10,000A(100Hz) ±25
27	$\Omega$ Ohms	300 $\Omega$	Cortocircuito ±2
28		300 $\Omega$	300,00 $\Omega$ ±22
29		3k $\Omega$	3,0000k $\Omega$ ±22
30		30k $\Omega$	30,0000k $\Omega$ ±22
31		300k $\Omega$	300,00k $\Omega$ ±22
32		3M $\Omega$	3,0000M $\Omega$ ±46
33		30M $\Omega$	30,0000M $\Omega$ ±91
34	$\bullet\bullet\bullet$ Prueba de Continuidad	0-30 $\Omega$	TONO Aprox. <20 $\Omega$
35	$\overleftarrow{\text{---}}$ Prueba de diodo	1,000 VDC	±32
36	$^{\circ}\text{C}$ Prueba temp.	Cortocircuito ambiente*	±2,5

\*Precisión del termómetro: ±0,1°C.

4-10

## DETECCION DE PROBLEMAS Y MANTENIMIENTO

Utilice la siguiente tabla para identificar el problema:

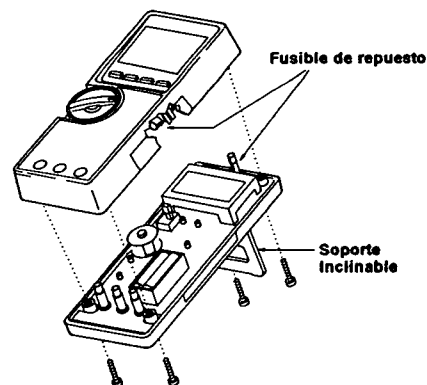
PROBLEMA	POSIBLE CAUSA/CORRECCION
Ninguna indicación en pantalla al encender Multímetro.	Baja tensión en las baterías. Reemplazar baterías.
Presentación inestable.	Puede haber una fuente cercana de ruido de radiofrecuencia. Reubique el Multímetro.
No se puede efectuar medida de corriente con la escala mA.	Fusible fundido. Reemplace el fusible (hay un repuesto en la cubierta posterior).

### Cómo abrir y cerrar el estuche del multímetro

Para reemplazar las baterías o el fusible, o para efectuar calibraciones, es necesario quitar la parte superior del estuche del multímetro. Una vez abierto el estuche, se deberán tomar precauciones contra las descargas de electricidad estática.

### Cómo abrir el estuche

1. Afloje los cuatro tornillos M3 (E2377A) o M4 (E2378A) que se encuentran en las esquinas de la base del estuche (Véase la siguiente ilustración.)
2. Retire cuidadosamente la parte superior del estuche. No se puede sacar el circuito impreso de la parte inferior del estuche.



4-11

## Cómo cerrar el estuche

1. El HP E2378A cuenta con una empaquetadura de goma para propósitos de estanqueidad. Esta empaquetadura debe estar instalada antes de cerrar el estuche.
2. Coloque cuidadosamente la parte superior del estuche sobre la parte inferior que contiene el circuito impreso. Es posible que tenga que ajustar el conmutador de Funciones para alinear las dos partes.
3. Asegure alternativamente los tornillos ubicados en esquinas opuestas. Cuando observe que las dos partes del estuche estén unidas, asegure cada tornillo una vez más.

## Estanqueidad (impermeabilidad)

El HP E2378A tiene un estuche sellado que está provisto de una empaquetadura de goma para fines de estanqueidad. El instrumento se conforma a la norma de estanqueidad IEC 529/1976 IPX3. Esto no significa que el multímetro pueda sumergirse u operarse con el estuche mojado.



### ADVERTENCIA

No utilice el HP E2378 si está sumergido o si tiene el estuche mojado. Si se moja el estuche, seque el multímetro antes de utilizarlo.

## Reemplazo de baterías y fusibles

**NOTA:** Abra el estuche para reemplazar las baterías o el fusible. Desconecte todas las entradas antes de quitar la cubierta.

## Reemplazo de las baterías

Si se produce una condición de baja carga de las baterías al operar la unidad, el símbolo aparecerá en la pantalla. Reemplace las baterías lo antes posible. Para ello, abra el estuche tal como se describió anteriormente. Las baterías de repuesto deben ser alcalinas, de tamaño AAA (IEC LR03), y se deben instalar con la polaridad correcta. Cierre el estuche tal como se describió anteriormente.

## Reemplazo del fusible

Si no se puede medir la corriente con las funciones  $\mu\text{A}$ ,  $\text{mA}$ , o  $10\text{A}$ , es probable que se haya fundido el fusible. Se han provisto repuestos dentro del estuche (véase la ilustración anterior). El fusible debe tener especificaciones nominales de FAST 500 mA/250V para entradas de  $\mu\text{A}/\text{mA}$ , ó 15A/250V para la entrada 10A. Abra el estuche, reemplace el fusible y cierre el estuche tal como se explicó anteriormente.

4-12

## ESPECIFICACIONES

(23°C  $\pm$  5°C, <80% RH)

Frecuencia de calibración: un año (mínimo)

Exactitud (todas las funciones) =  $\pm$  (% de indicación + número de dígitos)

Coefficiente de temperatura:

Exactitud especificada x 0,1/°C (0-18°C, 28-40°C)

## V = Tensión CC

Escala	Resol.	Exactitud	Resist. de entrada	Entrada máxima
300mV	100 $\mu\text{V}$	0,3%+2	> 1000M $\Omega$	
3V	1mV	0,3%+1	11M $\Omega$	
30V	10mV	0,4%+1	10M $\Omega$	$\pm$ 1000 VDC, ó 750 V eficaces
300V	100mV	0,4%+1	10M $\Omega$	
1000V	1V	0,4%+1	10M $\Omega$	

Factor de supresión efectivo en modo común (desbalance 1k $\Omega$ ): 120dB, 50 ó 60 Hz  $\pm$  0,1%.

## V ~ Tensión CA (40 - 1kHz)

Escala	Resol.	Exactitud (40-500Hz)	Exactitud (500-1kHz)	Resist. de entr.
3V	1mV	1,0%+3	---	11M $\Omega$ < 50pF
30V	10mV	1,0%+3	2,0%+5	10M $\Omega$ < 50pF
300V	100mV	1,0%+3	2,0%+5	10M $\Omega$ < 50pF
750V	1V	1,2%+4	2,0%+5	10M $\Omega$ < 50pF

Entrada máxima:  $\pm$  1000V CC, ó 750 V eficaces (todas las escalas)

V~ y A~ dan respuesta promedio, y están calibradas para el valor rms de ondas sinusoidales.

## A = Corriente CC

(Las escalas de 300 $\mu\text{A}$  a 300mA están protegidas por un fusible 0,5A/250V; la escala 10A está protegida por un fusible 15A/250V).

Escala	Resol.	Exactitud	Tensión carga	Entrada máxima
300 $\mu\text{A}$	100nA	1,0%+2	< 0,2V	$\pm$ 0,5A
3000 $\mu\text{A}$	1 $\mu\text{A}$	1,0%+2	< 2,0V	$\pm$ 0,5A
30mA	10 $\mu\text{A}$	1,0%+2	< 0,25V	$\pm$ 0,5A
300mA	100 $\mu\text{A}$	1,5%+2	< 2,5V	$\pm$ 0,5A
10A	10mA	1,5%+2	< 0,6V	$\pm$ 10A

4-13



## A ~ Corriente CA

(40-1kHz; Las escalas de 300 $\mu$ A a 300mA están protegidas por un fusible 0,5A/250V; la escala 10A está protegida por un fusible 15A/250V)

Escala	Resol.	Exactitud	Tensión carga	Entrada máxima
300 $\mu$ A	100nA	2,0%+5	<0,2V efic.	0,5A efic.
3000 $\mu$ A	1 $\mu$ A	2,0%+5	<0,2V efic.	0,5A efic.
30mA	10 $\mu$ A	2,0%+5	<0,25V efic.	0,5A efic.
300mA	100 $\mu$ A	2,0%+5	<2,5V efic.	0,5A efic.
10A	10mA	2,0%+5	<0,6V efic.	10A efic.

## $\Omega$ Resistencia

(Protección de entrada = 500V eficaces)

Escala	Resol.	Exactitud	Corriente máxima	Circuito Abtto. (V)
300 $\Omega$	100m $\Omega$	0,7%+2	0,7mA	<1,3V
3k $\Omega$	1 $\Omega$	0,7%+1	130 $\mu$ A	<1,3V
30k $\Omega$	10 $\Omega$	0,7%+1	13 $\mu$ A	<1,3V
300k $\Omega$	100 $\Omega$	0,7%+1	1,3 $\mu$ A	<1,3V
3M $\Omega$	1k $\Omega$	1,5%+1	130 $\mu$ A	<1,3V
30M $\Omega$	10k $\Omega$	3,0%+1	130 $\mu$ A	<1,3V

## $\rightarrow$ ) Prueba de continuidad

(Protección de entrada = 500V eficaces)

Escala	Resol.	Tono de Continuidad	Corriente máxima	Circuito abtto. (V)
300	100 m $\Omega$	<approx 20 $\Omega$	0,7 mA	<1,3V

## $\rightarrow$ Prueba de diodo

(Protección de entrada = 500V eficaces)

Escala	Resol.	Tono de Continuidad	Corriente máxima	Circuito abtto. (V)
0-2V	1mV	3%+2	0,8mA (Vf=0,6V)	<3,3V

## $^{\circ}$ C Prueba de temperatura

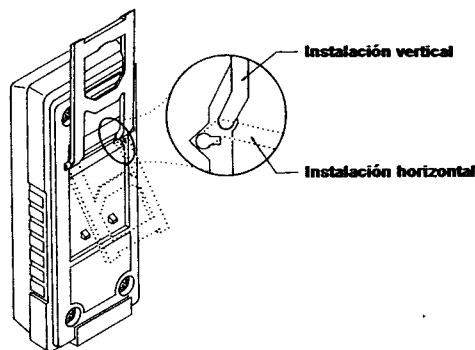
(La exactitud no incluye el error del sensor.)

Escala	Resol.	Exactitud	Prot. de entrada	Sensor
de -20 a 700 $^{\circ}$ C	1 $^{\circ}$ C	2,0%+2	250V efic.	Tipo "K"

## INFORMACION GENERAL

- Temp. de operación: 0-40  $^{\circ}$ C, 20-80% de HR máxima (sin condensación)
- Temp. de almacenamiento: de -20 a 70  $^{\circ}$ C, 20-70% de HR máxima (sin condensación)
- Tensión máxima, modo común:  $\pm$ 1000V DC ó 750 V eficaces (1000V de cresta). Entre cualquier terminal de entrada y tierra física.
- Suministro de energía: IEC LR03 (AAA) 1,5V x 2
- Duración de baterías: 2500 horas como mínimo (baterías alcalinas)
- Dimensiones:  
E2377A: 80 mm (A) X 176 mm (L) X 45 mm (P)  
E2378A: 89 mm (A) X 186 mm (L) X 45 mm (P)
- Peso:  
E2377A: Aprox. 333g (con baterías)  
E2378A: Aprox. 475g (con baterías)
- Soporte inclinable incorporado
- Accesorios: Manual operativo; cables de prueba; Baterías; Fusibles de repuesto: FAST 0,5A/250V y FAST 15A/250V (Bussman GDA-500mA o equivalente y ABC-15 o equivalente)

Modelo HP E2378A



# Multimetro HP E2377A/E2378A Manuale d'uso

## Indice

Sicurezza.....	5-1
Simboli.....	5-1
Precauzioni e avvertenze.....	5-2
Come operare.....	5-3
Misure di tensione.....	5-7
Misure di corrente.....	5-7
Misure di resistenza.....	5-7
Test di continuità.....	5-8
Prova diodi.....	5-8
Misure di temperatura.....	5-9
Calibrazione/Test delle prestazioni.....	5-9/5-11
Poblemi e manutenzione.....	5-12
Specifiche.....	5-14
Informazioni generali.....	5-16
Garanzia HP/Assistenza.....	7-1

## SICUREZZA

Le **Avvertenze** e **Attenzioni** presenti nella pagina seguente devono essere seguite sia per assicurare la sicurezza dell'operatore, sia per evitare di danneggiare il multimetro.

## Simboli



Indica che l'operatore deve riferirsi alle spiegazioni in questo manuale.



Indica terminali con valori di tensione pericolosi.

**ATTENZIONE**  
**PER EVITARE SCOSSE ELETTRICHE** o danni al multimetro, non applicare più di 1000 VCC o 750 Vrms tra un terminale e la terra. Usare cautela lavorando con tensioni superiori a 60V CC o 42V di picco. Assicurarsi che i puntali di misura siano in buone condizioni.

**ATTENZIONE**  
**POSSIBILI SCOSSE ELETTRICHE.** Non effettuare misure se l'involucro è danneggiato o se il coperchio posteriore è rimosso. Rimuovere tutti gli ingressi elettrici prima di togliere il coperchio posteriore.

**ATTENZIONE**  
**POSSIBILI SCOSSE ELETTRICHE o RISCHIO DI INCENDIO.** Non esporre il multimetro alla pioggia o vapori. Non usare il multimetro in presenza di gas o fumi infiammabili. Usare un FAST 500 mA/250V per sostituire il fusibile (vedere dietro il pannello posteriore).

**ATTENZIONE**  
**POSSIBILI SCOSSE ELETTRICHE.** Calibrazione e test delle prestazioni devono essere realizzati solo da personale qualificato. Non tentate di calibrare o delle procedure di test se non siete qualificati a farlo.

**AVVERTENZA**  
 Per evitare danni al multimetro per ingressi superiori a 250V CC o AC, sconnettere i puntali prima di cambiare la funzione. Non eccedere i valori riportati nella tabella seguente o il multimetro risulterà danneggiato.

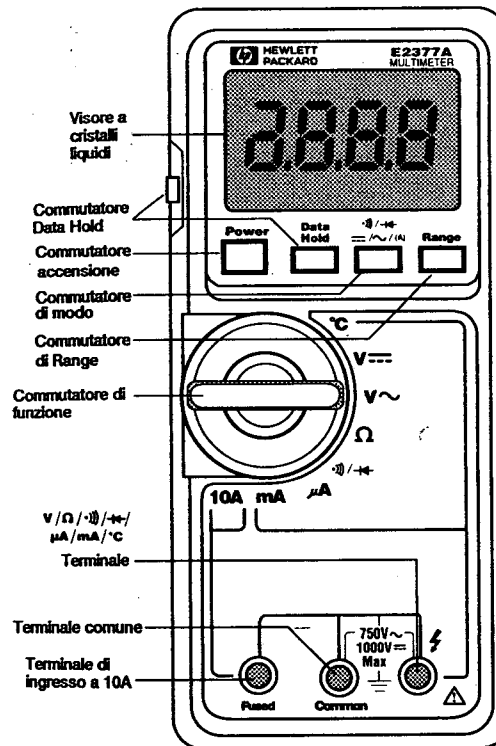
FUNZIONE	INGRESSO MAX.
V $\equiv$ / V $\sim$	$\pm 1000V$ CC/750 Vrms
320 $\mu A$ - 320 mA $\equiv$ / $\sim$	$\pm 0,5A$ CC/0,5 Arms **
10 A $\equiv$ / $\sim$	$\pm 15A$ CC/15 Arms **
$\Omega$ / $\sim$ / $\div$ / $\times$	500 Vrms
$^{\circ}C$	250 Vrms

Massima tensione tra qualsiasi terminale e la terra  
 1000V picco/750 Vrms.

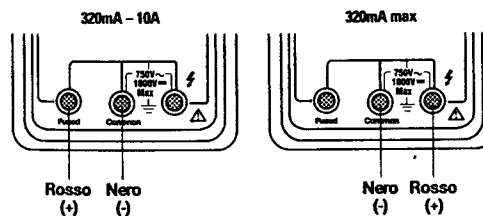
\*\*Da una sorgente 250 Vrms (massimo).

## Come operare

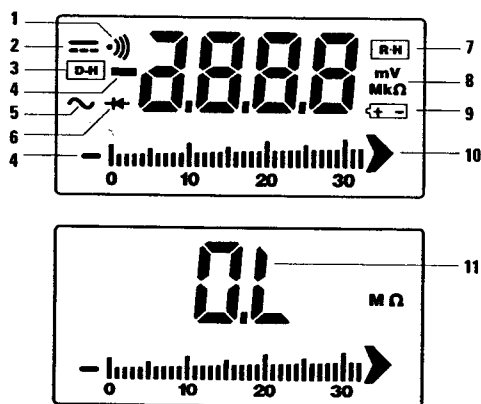
### Descrizione del pannello



### Connessione dei puntali



## Descrizione del visore



- 1. Modo test di continuità
- 2. Modo tensione o corrente CC
- 3. Modo Data Hold
- 4. Segno polarità - il valore della misura CC è negativo
- 5. Modo tensione o corrente CA
- 6. Modo prova diodi
- 7. Modo Range Hold
- 8. Unità di misura per:
  - tensione
  - resistenza
  - corrente - unità NON indicate
  - temperatura - unità NON indicate
- 9. Batterie scariche
- 10. Visore a barre grafiche - mostra graficamente il valore misurato
- 11. Sovraccarico - ingresso troppo grande per il visore

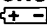
### Test diagnostico all'accensione

Quando il multimetro viene acceso, tutti i segmenti del visore sono mostrati per approssimativamente 2 secondi durante il test diagnostico. Successivamente il multimetro emette un segnale e inizia le misure.

### Visore

Il visore è composto da 3,5 cifre e un grafico a barre. Le cifre possono rappresentare al massimo il valore >3200 e sono campionate 2 volte/secondo. Il grafico a barre contiene 33 segmenti (risoluzione segmento=100) e viene campionato 12 volte/secondo.

### Batterie scariche


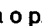
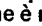
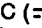
Questo simbolo  appare quando le batterie sono scariche. Sostituite le batterie appena possibile, per mantenere l'accuratezza ed evitare stillamenti.

5-4

### Sovraccarico in ingresso

Il messaggio "OL" appare quando l'ingresso è maggiore del range (gamma) che può essere mostrato. La posizione del punto decimale dipende dal range usato. Il messaggio "OL" non appare per ingressi che eccedono i valori di 1000V CC e 750V CA per i range di tensione, o 10A per i range di corrente.

### Selezione del modo

Il commutatore di modo sceglie il modo test di continuità o prova diodi quando il commutatore di funzione è nella posizione  / . Esso sceglie CC () o CA () quando il commutatore di funzione è nelle posizioni  $\mu A$ , mA o 10A.

5-5

### **Autorange (gamma automatica)**

All'accensione il multimetro è in modo autorange e sceglie il range (gamma) che fornisce la migliore risoluzione. Prima che un range maggiore venga scelto, il visore indica brevemente sovraccarico (OL). Prima che un range minore venga scelto, il visore scompare brevemente. La velocità dell'autorange è di 6 range/secondo.

### **Range Hold**

Range hold (commut. Range) cancella la funzione autorange e vi permette di scegliere un range fisso. Il visore indica sovraccarico (OL) se un ingresso è troppo grande per essere visualizzato con il range scelto (usate il commut. Range per impostare un range maggiore).

### **Come usare Range Hold:**

Scegliete una funzione di tensione, corrente o resistenza (Range Hold non può essere usato con le funzioni  $\rightarrow$ ) o  $\leftarrow$ ). Premete il commut. Range (il multimetro suona e mostra R-H). Premete il commut. Range per cambiare range. Il multimetro suona e passa al range superiore. Quando viene raggiunto il range più alto, si riparte dal range più piccolo.

### **Per ritornare in Autorange:**

Premete il commut. Range per 1 secondo (il multimetro suona e ritorna in modo autorange).

5

### **Data Hold**

Il commut. Data Hold è usato per mantenere fisso sul visore il valore misurato. Può essere usato per tutte le funzioni del multimetro.

### **Come usare Data Hold**

Premete il commut. Data Hold e il valore misurato rimarrà fisso sullo schermo perfino in presenza di variazioni del segnale di ingresso. Quando usate Data Hold il simbolo D-H appare sul visore. Premete nuovamente il commut. Data Hold per uscire da questo modo.

5-6

### **Misure di tensione CC e CA**

1. Impostate il commut. di funzioni su  $V \equiv$  per una misura di tensione CC o su  $V \sim$  per una misura di tensione CA.

2. Connettete i puntali al circuito sotto misura (NERO al circuito di terra e ROSSO al punto da misurare). Non eccedete il valore massimo di ingresso di 1000V CC o 750 Vrms. In questi casi non appare il messaggio di sovraccarico (OL).

3. Leggete il valore misurato dopo che si è stabilizzato.

### **Misure di corrente CC e CA**

1. Impostate il commut. di funzioni su "mA" o " $\mu$ A" per correnti minori di 320 mA, o "10A" per correnti superiori a 320 mA ma minori di 10A.

2. Connettete il puntale rosso al terminale destro per " $\mu$ A" o "mA" o al terminale di sinistra per "10A". Connettete il puntale nero al terminale centrale, "Common".

3. Premete il commut. modo  $\equiv / \sim$  (A) per scegliere il modo CA. Premete nuovamente lo stesso commutatore per tornare nel modo CC.

4. Connettete i puntali in serie con il circuito che deve essere misurato (estremo rosso alla parte positiva - estremo nero alla parte negativa). Non c'è il messaggio "OL" nella funzione/range di 10A. Il range 10A è protetto da un fusibile di 15A.

### **Misure di resistenza**

1. Sconnettete l'alimentazione dal circuito sotto misura.

2. Impostate il commut. di funzione su  $\Omega$ .

3. Connettete i puntali al circuito sotto misura e leggete il valore dopo che si è stabilizzato.

5

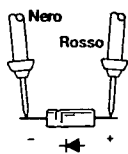
5-7

### Test di continuità

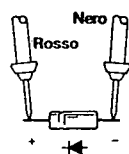
1. Sconnettete l'alimentazione dal circuito sotto misura.
2. Impostate il commut. di funzione su  $\rightarrow \infty$  /  $\leftarrow$ .
3. Se il simbolo  $\rightarrow \infty$  non è presente sulla parte sinistra del visore, premete il commut. di modo  $\rightarrow \infty$  /  $\leftarrow$  fino ad ottenere  $\rightarrow \infty$ .
4. Connettete i due puntali ai punti fra cui volete controllare la continuità. Il visore indica la resistenza misurata e se questa è minore di  $20\Omega$ , il multimetro emette un segnale continuo oltre a mostrame il valore.

### Prova diodi

1. Sconnettete l'alimentazione dal circuito sotto misura.
2. Impostate il commut. di funzione su  $\rightarrow \infty$  /  $\leftarrow$ .
3. Se il simbolo  $\leftarrow$  non è presente sulla parte sinistra del visore, premete il commut. di modo  $\rightarrow \infty$  /  $\leftarrow$  fino ad ottenere  $\leftarrow$ .
4. Connettete i puntali per la misura della tensione diretta come mostrato nella figura seguente. In un diodo normale il valore sarà compreso tra 0,4 e 0,7V.
5. Invertite i puntali per la misura della tensione inversa come mostrato nella figura seguente. La tensione inversa dovrebbe essere "OL" per un diodo normale, mentre un valore vicino a 0 mV indica un diodo in cortocircuito.



Misura della tensione diretta



Misura della tensione inversa

5-8

### Misure di temperatura (termocoppia tipo K)

1. Impostate il commut. di funzione su °C.
2. Connettete una sonda con termocoppia di tipo K ai terminali di ingresso (terminali "V" e "Common"). Cortocircuitando gli ingressi, non utilizzando la sonda di temperatura, viene mostrato il valore della temperatura ambiente.
3. Per effettuare le misure di temperatura, seguite le istruzioni relative alla sonda di temperatura tipo K che state usando. Il multimetro mostra la temperatura in gradi centigradi (°C).

### CALIBRAZIONE e TEST DELLE PRESTAZIONI

#### Apparecchiature di test richieste

Per la calibrazione e il test delle prestazioni usate sorgenti di calibrazione con accuratezza che eguagli o superi i valori seguenti.

	Funzione					
	VCC	VCA	ICC	ICA	$\leq 3M\Omega$	$> 3M\Omega$
Accuratezza minima	,03%	,1%	,1%	,2%	,07%	,2%

Funzione °C: accuratezza termometro  $\pm 0,1$  °C.

#### Calibrazione

Intervallo di temperatura richiesto:

$23^{\circ}\text{C} \pm 5^{\circ}\text{C}$ , <80% RH

Periodo di calibrazione: 1 anno minimo

1. Sconnettete tutti gli ingressi al multimetro e aprite la custodia (vedere la sezione "Apertura della custodia").
2. Installate nuove batterie (tipo AAA, alcaline, IEC LR03) e chiudete la custodia. Accendete il multimetro e lasciatelo scaldare per 30 minuti, per poi aprire la custodia come nel passo 1.

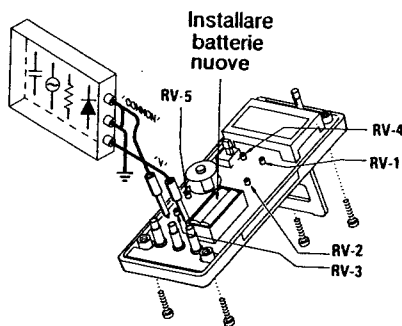
5-9

3. Impostate la funzione del multimetro, il range e l'uscita della sorgente di calibrazione come specificato nella tabella seguente. Connetteste la sorgente di calibrazione ai terminali "V" e "Common" come mostrato nella figura sotto.

4. Eseguite le cinque regolazioni sequenti, in modo tale che il multimetro sia all'interno dei limiti di regolazione:

REGOLAZIONE	FUNZIONE e RANGE	INGR.	LIMITI REGOLAZIONE
RV-1	VCC 300 mV	300,00 mV	299,8-300,2
RV-2	VCC 3V	3,0000V	2,998-3,002
RV-3	VCA 3V	3,0000V (100 Hz)	2,997-3,003
RV-4	°C	Corto	Temp. amb. +2
RV-5	ICC 10A	10,000A	9,93-10,07

5. Chiudere la custodia (vedere la sezione "Chiusura della custodia").



## Test delle prestazioni

Usate sorgenti come descritto nelle apparecchiature di test richieste.

Intervallo di temperatura per il test:  
23°C ± 5°C, <80% RH

PASSO	FUNZIONE e RANGE	TEST INGR.	TOLLERANZA (conteggi)
1	VCC 300 mV	Corto	±2
2	300 mV	300,00 mV	±11
3	3 V	3,0000 V	±11
4	30 V	30,000 V	±13
5	300 V	300,00 V	±13
6	1000 V	1000,0 V	±5
7	VCA 3 V	Corto	±3
8	3 V	3,0000V (100 Hz)	±33
9	30 V	30,000V (100 Hz)	±33
10		(600 Hz)	±65
11	300 V	300,00V (100 Hz)	±33
12		(600 Hz)	±65
13	750 V	750,0 V (100 Hz)	±10,5
14		(600 Hz)	±20
15	ICC 300µA	Corto	±2
16	300µA	300,00µA	±32
17	3mA	3,0000mA	±32
18	30mA	30,000mA	±32
19	300mA	300,00mA	±47
20	10 A	10,000 A	±17
21	ICA 300µA	Corto	±5
22	300µA	300,00µA	±65
23	3mA	3,0000mA	±65
24	30mA	30,000mA (100 Hz)	±65
25	300mA	300,00mA (100 Hz)	±65
26	10 A	10,000 A (100 Hz)	±25
27	OHM 300	Corto	±2
28	300Ω	300,00Ω	±22
29	3 kΩ	3,0000kΩ	±22
30	30 kΩ	30,000kΩ	±22
31	300 kΩ	300,00kΩ	±22
32	3 MΩ	3,0000MΩ	±22
33	30 MΩ	30,000MΩ	±61
34	Test di continuità	0-30Ω	SEGNALE Appros. <20Ω
35	Prova diodi	1,000 VCC	±32
36	Test temperatura	Corto	temp. amb. ±2,5*

\*La temperatura ambiente misurata con il termometro è accurata a 0,1 °C.

## PROBLEMI e MANUTENZIONE

Usate la seguente tabella per isolare il vostro problema.

PROBLEMA	CAUSA/RIMEDIO
Nessuna indicazione all'accensione.	La tensione delle batterie è troppo bassa. Sostituitele.
Il visore è instabile.	Il multimetro può essere vicino a una sorgente di rumore a r-f. Spostate il multimetro in una nuova posizione.
Non è possibile effettuare misure di corrente nel range $\mu$ A e mA.	Il fusibile è bruciato. Sostituitelo (il fusibile di riserva si trova nel coperchio posteriore).

### Apertura e chiusura della custodia del multimetro

La parte superiore della custodia del multimetro deve essere rimossa dalla sua parte inferiore per sostituire batterie o fusibili o per effettuare la calibrazione. Con la custodia aperta usate precauzioni antistatiche.

#### Apertura della custodia

1. Allentate le quattro viti M3 (E2377A) o M4 (E2378A) negli angoli della parte inferiore della custodia (vedere la figura seguente).

2. Sfilate con attenzione la parte superiore. Il CS e la parte inferiore non possono essere separati.

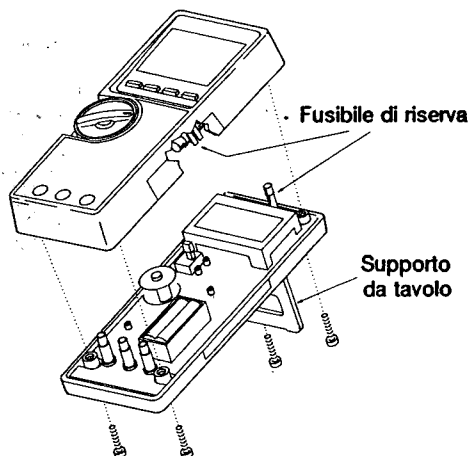
#### Chiusura della custodia

1. L'HP E2378A ha un sigillo di gomma per garantire l'impermeabilità. Il sigillo deve essere presente prima di chiudere la custodia.

2. Con attenzione sovrapponetevi le due parti che compongono la custodia. Potreste dover ruotare il commutatore di funzione per ottenere l'allineamento.

3. Stringete alternativamente le viti seguendo le diagonali.

5-12



### Impermeabilità

Un sigillo di gomma garantisce l'impermeabilità dell'HP E2378A. L'impermeabilità è conforme agli standard IEC 529/1976 IPX3. Questo non significa che il multimetro possa operare sott'acqua o con la custodia bagnata.



#### ATTENZIONE

Non utilizzare l'HP E2378A sott'acqua o con la custodia bagnata. In quest'ultimo caso asciugate il multimetro prima di usarlo.

### Sostituzione delle batterie e del fusibile

NOTA: la custodia deve essere aperta per la sostituzione delle batterie e del fusibile. Sconnettete tutti gli ingressi prima di aprire la custodia.

#### Sostituzione delle batterie

Il simbolo  $\left[ \begin{array}{c} + \\ - \end{array} \right]$  appare sul visore quando le batterie sono scariche. Sostituitele il più presto possibile, aprendo la custodia come descritto sopra. Sostituite le due batterie con batterie alcaline, tipo AAA (IEC LR03), rispettando la corretta polarità. Chiudete la custodia come descritto sopra.

5-13



### Sostituzione del fusibile

Se nelle funzioni "μA", "mA" o "10A" la corrente non può essere misurata, probabilmente si è bruciato il fusibile. I fusibili di riserva si trovano all'interno della custodia (vedere la figura precedente). Il fusibile deve avere uno specificato rapporto di FAST 500 mA/250V per l'ingresso μA/mA e 15A/250V per l'ingresso 10A. Aprite la custodia, sostituite il fusibile e chiudete la custodia come precedentemente descritto.

### SPECIFICHE (23 °C ±5 °C, <80% RH)

Periodo di calibrazione: un anno minimo

Accuratezza (tutte le funzioni) = ±(% di letture + numero di cifre)

Coefficiente di temperatura:  
Accuratezza specificata X 0,1/°C (0-18 °C, 28-40 °C)

### V = Tensione CC

RANGE	RISOLUZ.	ACCURAT.	RESISTENZA MASSIMO INGR.	INGR.
300mV	100μV	0,3%+2	>1000 MΩ	
3V	1mV	0,3%+2	11 MΩ	±1000
30V	10mV	0,4%+1	10 MΩ	VCC o
300V	100mV	0,4%+1	10 MΩ	750Vrms
1000V	1V	0,4%+1	10 MΩ	(tutti i range)

Rapporto effettivo di reiezione di modo comune (1KΩ sbilanciato): >120dB @ 50 o 60 Hz +0,1%

### V ~ Tensione CA (40 - 1KHz)

RANGE	RISOLUZ.	ACCURAT. (40-500Hz)	RESISTENZA (500-1KHz) INGR.
3V	1mV	1,0%+3	11 MΩ <50 pF
30V	10mV	"	2,0%+5 10 MΩ <50 pF
300V	100mV	"	"
750V	1V	"	"

Massimo ingresso: ±1000 VCC o 750 Vrms (tutti i range)

V~ e A~ hanno risposta a valor medio, calibrato per il valore RMS di onde sinusoidali.

5-14

### A = Corrente CC

(i range da 300μA a 300mA hanno un fusibile da 0,5A/250V. Il range 10A ha un fusibile da 15A/250V).

RANGE	RISOLUZ.	ACCURAT.	CADUTA V FONDO SC.	MASSIMO INGR.
300μA	100nA	1,0%+2	<0,2V	±0,5A
3000μA	1μA	1,0%+2	<2,0V	±0,5A
30mA	10μA	1,0%+2	<0,25V	±0,5A
300mA	100μA	1,5%+2	<2,5V	±0,5A
10A	10mA	"	<0,6V	±15A

### A ~ Corrente CA

(40-1KHz, i range da 300μA a 300mA hanno un fusibile da 0,5A/250V. Il range 10A ha un fusibile da 15A/250V).

RANGE	RISOLUZ.	ACCURAT.	CADUTA V FONDO SC.	MASSIMO INGR.
300μA	100nA	2,0%+5	<0,2Vrms	0,5 Arms
3000μA	1μA	2,0%+5	<2,0Vrms	0,5 Arms
30mA	10μA	2,0%+5	<0,25V rms	0,5 Arms
300mA	100μA	"	<2,5V rms	0,5 Arms
10A	10mA	"	<0,6V rms	15 Arms

### Ω Resistenza

(protezione ingresso =500Vrms)

RANGE	RISOLUZ.	ACCURAT.	CORRENTE MAX TEST	V CRCTO APERTO
300Ω	100 mΩ	0,7%+2	0,7 mA	<1,3V
3kΩ	1Ω	0,7%+1	130μA	"
30kΩ	10Ω	"	13μA	"
300kΩ	100Ω	"	1,3μA	"
3MΩ	1 kΩ	"	130 nA	"
30MΩ	10 kΩ	2,0%+1	"	"

### •)) Test di continuità

(protezione ingresso= 500 Vrms)

RANGE	RISOLUZ.	SEGNALE CONTINUITA'	CORRENTE MAX TEST	V CRCTO APERTO
300	100 mΩ	<Approx 20Ω	0,7 mA	<1,3V

5-15

**⚡ Prova diodi**  
(protezione ingresso = 500Vrms)

RANGE	RISOLUZ.	ACCURAT.	CORRENTE MAX TEST	V CRCTO APERTO
0-2V	1 mV	3%+2	0,6mA (VF=0,6V)	<3,3V

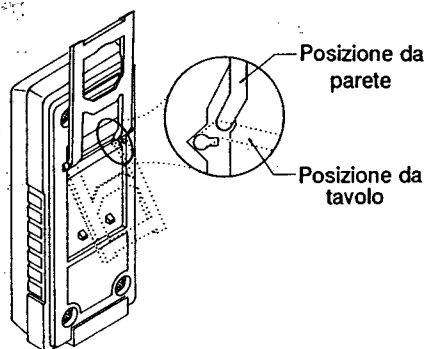
**°C Test temperatura**  
(sensore termocoppia tipo K)

RANGE	RISOLUZ.	ACCURAT. (meno errore sensore)	PROTEZIONE INGR.
-20 to 700 °C	1°C	2,0%+2	250Vrms

**INFORMAZIONI GENERALI**

- Temperatura operativa: 0-40 °C, 20-80% RH massima (senza condensa)
- Temperatura stoccaggio: -20 a 70 °C, 20-70% RH massima (senza condensa)
- Max tensione di modo comune: ±1000V CC o 750 Vrms (1000V picco). Qualsiasi terminale di ingresso a terra.
- Alimentazione: IEC LR03 (tipo AAA) 1,5V X 2
- Durata batterie: minimo 1000 ore (batterie alcaline)
- Dimensioni,  
E2377A: 80mm (L) X 176mm (A) X 45mm (P)  
E2378A: 89mm (L) X 186mm (A) X 45mm (P)
- Peso,  
E2377A: Appros. 333g (batterie comprese)  
E2378A: Appros. 475g (batterie comprese)
- Supporto da tavolo incorporato.
- Accessori: manuale d'uso, puntali, batterie, fusibili di riserva: FAST 0,5A/250V (Bussman GDA-500mA o equivalente); FAST 15A/250V (Bussman ABC-15 o equivalente).

Modello HP E2378A:



## HP E2377A/E2378A マルチメータ 操作ガイド

### 目次

安全性について	6-1
安全マーク	6-1
警告と注意	6-2
使用法	6-3
電圧の測定	6-6
電流の測定	6-6
抵抗の測定	6-7
導通チェック	6-7
ダイオード・テスト	6-7
温度テスト	6-8
校正/性能試験	6-8/6-9
トラブルシューティング/保守	6-10
仕様	6-12
一般仕様	6-14
保証/サービス	7-1

### 安全性について

オペレータの安全のため、また本マルチメータの適切な動作状態を保持するために、次ページに示す「警告」および「注意」の内容を遵守してください。

### 安全マーク



本書の説明箇所を参照してください。



危険電圧が発生する端子を示します。

**警告**  
 感電事故またはマルチメータへの損傷を防ぐため、端子-アース間に1000V DC以上または750Vrms以上の電圧を入力しないでください。60V以上の直流電圧または42Vピーク以上の入力を取扱う場合は注意してください。また、テスト・リードが正常な状態にあることを確認してください。

**警告**  
 感電の危険性あり。ケースが損傷していたり、リア・カバーが外れている場合は、測定を行わないでください。また、リア・カバーを取り外す場合は、すべての電気入力を切り離してから行ってください。

**警告**  
 感電または火災の危険性あり。本器を雨や湿気にさらさないでください。本器を可燃性ガスまたは煙の発生する場所で使用しないでください。ヒューズを交換する際は、500mA/250Vおよび15A/250V定格のファースト・ブロー・ヒューズを使用してください（リア・パネル面を参照）。

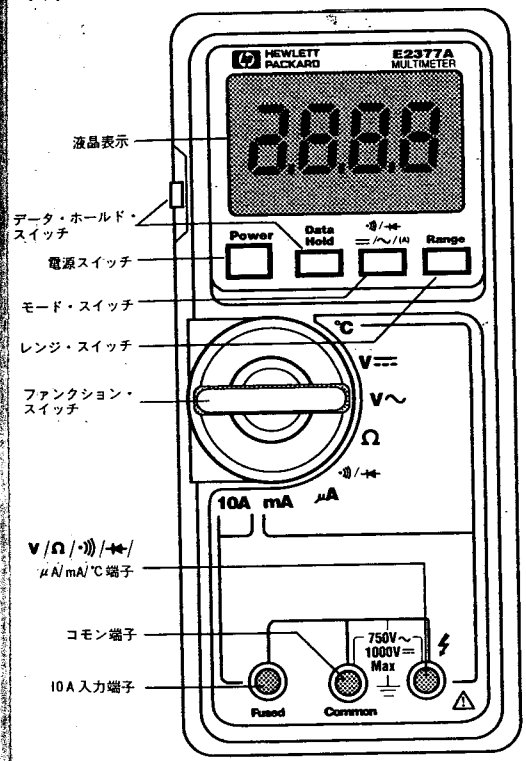
**警告**  
 感電の危険性あり。校正および性能試験は、有資格のサービス技術員だけが行うこととします。資格のない者が校正や性能試験を行ってはなりません。

**注意**  
 500V以上の直流・交流電圧を入力した場合、本器への損傷を防ぐため、ファンクションを変更する前にテスト・リードを取り外してください。下表に示す最大入力リミットを超えないようにしてください。

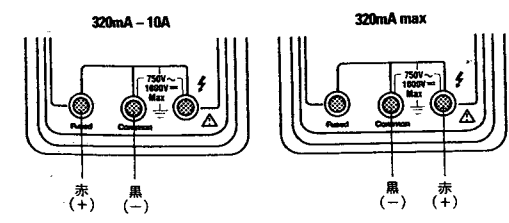
ファンクション	最大入力
V $\overline{\text{---}}$ / V $\sim$	$\pm 1000\text{V DC} / 750\text{Vrms}$
320 $\mu\text{A}$ - 320mA $\overline{\text{---}}$ / $\sim$	$\pm 0.5\text{A DC} / 0.5\text{Arms}^{**}$
10A $\overline{\text{---}}$ / $\sim$	$\pm 15\text{A DC} / 15\text{Arms}^{**}$
$\Omega$ / $\overline{\text{---}}$ / $\overline{\text{---}}$ / $\overline{\text{---}}$	500Vrms
$^{\circ}\text{C}$	250Vrms

端子-アース間の最大電圧： $\pm 1000\text{V}$  ピーク / 750Vrms  
 \*\* 250 Vrms の信号源（最大）で

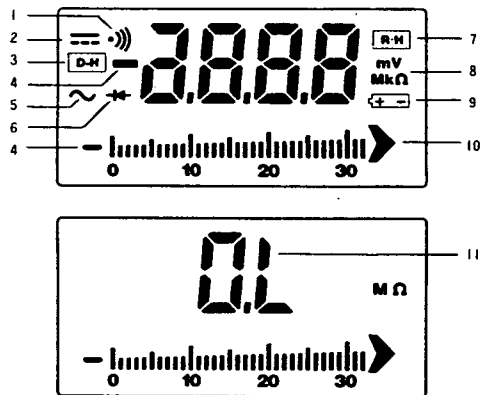
**使用法**  
**パネルの説明**



**テスト・リードの接続端子**



## ディスプレイの説明



### 電源投入時のセルフテスト

本器に電源を投入すると、セルフテストの実行中、約2秒間すべてのディスプレイ・セグメントが表示されます。セルフテストの終了後、ブザーが1回鳴り測定を開始します。

### ディスプレイ

ディスプレイは3.5桁から成り、バー・グラフでも表示されます。桁表示の最大カウントは3200であり、毎秒2回サンプリングされます。バー・グラフ表示には33のセグメントがあり(セグメントあたり100カウントの分解能)、毎秒12回サンプリングされます。

### バッテリー電圧の低下

バッテリー電圧が低下すると、 $\left[ \begin{array}{c} + \\ - \end{array} \right]$ のシンボルが現れます。このシンボルが表示された場合は、精度の劣化やバッテリー漏れを防ぐために、できるだけ早くバッテリーを交換してください。

### 入力オーバーロード

入力値が表示レンジを超えると、「OL」と表示されます。測定レンジによって小数点の位置が決まります。DC1000VおよびAC750Vの電圧レンジまたは10Aの電流レンジで入力値が最大入力を超える場合、「OL」は表示されません。

6-4



1. 導通チェック・モード



2. 直流電圧・電流モード



3. データ・ホールド・モード



4. 極性符号…直流測定値が負の値



5. 交流電圧・電流モード



6. ダイオード・テスト・モード



7. レンジ・ホールド・モード



8. 以下を測定する場合の測定単位

- ・電圧
- ・抵抗
- ・電流…単位は表示されない
- ・温度…単位は表示されない



9. バッテリー電圧低下



10. バー・グラフ表示…測定値をグラフに表示



11. オーバロード…入力が大きすぎて表示できない

### モード選択

ファンクション・スイッチが $\left[ \begin{array}{c} \cdot \\ \cdot \\ \cdot \end{array} \right] / \left[ \begin{array}{c} \cdot \\ \cdot \\ \cdot \end{array} \right]$ の位置にある場合、モード・スイッチで導通チェック・モードかダイオード・テスト・モードを選択します。また、ファンクション・スイッチが $\mu A$ 、mA、10Aの位置にある場合には、モード・スイッチはDC  $\left[ \begin{array}{c} \cdot \\ \cdot \\ \cdot \end{array} \right]$  かAC  $\sim$ を選択します。

### オートレンジ

本器はオートレンジ・モードで起動し、最良の分解能を出すレンジを自動的に選択します。測定中高いレンジへ移行する場合は、オーバーロード表示(OL)が一時的に現れます。また、低いレンジへ移行する場合、ディスプレイは一時的にブランクになります。オートレンジの速度は6レンジ/秒です。

### レンジ・ホールド

レンジ・ホールド(Rangeスイッチ)により、オートレンジ機能がオフになり、特定のレンジを選択できるようになります。入力値が大きすぎて選択したレンジでは表示できない場合、オーバーロード表示(OL)がディスプレイに現れます(さらに高いレンジへ移るにはRangeスイッチを使用します)。

6-5

### レンジ・ホールドの使用法

電圧、電流、抵抗のいずれかの機能を選択します (●) および  $\leftrightarrow$  機能ではレンジ・ホールドを使用できません)。Rangeスイッチを押します(ブザーが鳴り“R-H”と表示します)。Rangeスイッチを押してレンジを変更します。ブザーが鳴り、変更することによりレンジが上がっていきます。上限のレンジになると、一番下のレンジに戻ります。

### オートレンジへの戻り方

Rangeスイッチを1秒間押します(ブザーが鳴り、オートレンジ・モードへ戻ります)。

### データ・ホールド

Data Holdスイッチは測定値をディスプレイ上に保持(ホールド)する際に使用します。これは、本器の全機能で行えます。

### データ・ホールドの使用法

Data Holdスイッチを押すと、表示されている測定値がホールドされます。この表示は入力を変更しても変わりません。データのホールド中は、“D-H”というシンボルがディスプレイ上に現れます。データ・ホールド・モードを解除するには、再度Data Holdスイッチを押します。

### 直流・交流電圧の測定

1. 直流電圧測定の場合はV  $\equiv$  へ、交流電圧測定の場合はV  $\sim$  へ、ファンクション・スイッチを設定します。
2. 測定対象の回路へテスト・リードを接続します(黒を回路側のグラウンドへ、赤を測定ポイントへ接続する)。これらのレンジでは、最大入力値であるDC1000Vまたは750Vrmsを超えた場合、“OL”(オーバロード表示)が表示されないの、注意してください。
3. 表示が安定したら測定値を読み取ってください。

### 直流・交流電流の測定

1. ファンクション・スイッチを、320mA以下の電流測定の場合は“mA”または“ $\mu$ A”へ、320mA以上で10A以下の電流測定の場合は“10A”へ設定します。
2. 赤のテスト・リードを、“mA”測定の場合は右の端子へ、“10A”測定の場合は左の端子へ接続します。黒のテスト・リードを真ん中の“Common”端子へ接続します。
3. モード・スイッチ (  $\equiv$  /  $\sim$  (A) ) を押してACモードを選択します。再度モード・スイッチを押すとDCモードへ戻ります。

4. 測定対象の回路に対し、テスト・リードを直列に接続します(赤のケーブルを+側へ、黒のケーブルを-側へ接続する)。10Aファンクション/レンジの場合、“OL”は表示されません。10Aレンジは15Aのヒューズによって保護されています。

### 抵抗の測定

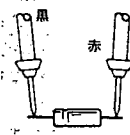
1. 測定対象の回路からすべての電源を取り外します。
2. ファンクション・スイッチを  $\Omega$  へ設定します。
3. 測定対象の回路へテスト・リードを接続し、表示が安定したら表示値を読み取ります。

### 導通チェック

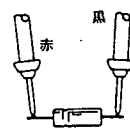
1. 測定対象の回路からすべての電源を取り外します。
2. ファンクション・スイッチを  $\rightarrow$  /  $\leftrightarrow$  へ設定します。
3. ディスプレイの左側に  $\rightarrow$  のシンボルが表示されない場合、 $\rightarrow$  が表示されるまでモード・スイッチ (  $\rightarrow$  /  $\leftrightarrow$  ) を押します。
4. 導通チェックを行う2つのポイントへテスト・リードを接続します。ディスプレイに導通抵抗が表示されます。抵抗が約20 $\Omega$ 以下になると、その値を表示するとともにブザーが連続的に鳴ります。

### ダイオード・テスト

1. 測定対象の回路からすべての電源を取り外します。
2. ファンクション・スイッチを  $\rightarrow$  /  $\leftrightarrow$  へ設定します。
3. ディスプレイの左側に  $\rightarrow$  のシンボルが表示されない場合、 $\rightarrow$  が表示されるまでモード・スイッチ (  $\rightarrow$  /  $\leftrightarrow$  ) を押します。
4. 順電圧を測定する場合、下図(左)のようにテスト・リードを接続します。ノーマルなダイオードでは、0.4~0.7Vの範囲で測定が行われます。
5. 逆電圧を測定する場合、下図(右)のようにテスト・リードを逆に接続します。逆電圧では、ノーマルなダイオードに対して“OL”を表示します。0mVに近い値は、ダイオードがショートしていることを表します。



順電圧測定



逆電圧測定

### 温度テスト (Kタイプ熱電対)

1. ファンクション・スイッチを°Cへ設定します。
2. Kタイプ熱電対プローブを入力端子へ接続します (V端子とCommon端子)。入力をショートすると、温度プローブを使用しなくても周囲温度が表示されます。
3. 温度測定の実行に際しては、Kタイプ熱電対プローブの操作説明に従ってください。表示温度は摂氏温度 (°C) です。華氏温度への変換式は、 $F = C \times 1.8 + 32$ です。

### 校正/性能試験

#### 必要な試験機器

校正および性能試験に際しては、下記と同等あるいはそれ以上の精度をもつ校正用信号源を使用してください。

	ファンクション					°C
	DCV	ACV	DCI	ACI	≤3MΩ >3MΩ	
最低精度	.03%	.1%	.1%	.2%	.07% .2%	±0.1°C

#### 校正

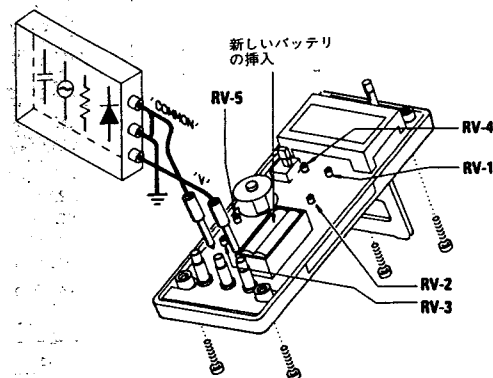
校正に必要な環境範囲: 23°C ± 5°C, <80% RH

校正期間: 1年以内

1. 本器への入力をすべて切り離し、ケースを開けます (「ケースの開け方」項を参照)。
2. 新しいバッテリー (AAAタイプ, アルカリ, IEC LR03) を入れ、カバーを閉じます。本器に電源を投入し、30分間ウォームアップした後、ステップ1のようにしてケースを開けます。
3. 下表の指定に従って、本器のファンクションとレンジ、そして校正信号源の出力を設定します。下図のように、校正用信号源をV端子とCommon端子へ接続します。
4. 以下の5種類の調整を行い、本器のディスプレイが調整リミット内になるようにします。

調整	ファンクションとレンジ	入力	調整リミット
RV-1	V DCV 300 mV	300.00 mV	299.8-300.2
RV-2	V DCV 3V	3.0000V	2.998-3.002
RV-3	V ACV 3V	3.0000V (100 Hz)	2.997-3.003
RV-4	°C	ショート	室温 ± 2
RV-5	A DCA 10A	10.000A	.9.93 -10.07

5. ケースを閉じます (「ケースの閉じ方」の項を参照)。



#### 性能試験

前ページの「必要な試験機器」の項で述べた信号源を使用します。

性能試験の環境範囲: 23°C ± 5°C, <80% RH

ステップ	ファンクションとレンジ	テスト入力	許容誤差(カウント)
1	V DCV	300mV	ショート ± 2
2		300mV	300.00mV ± 11
3		3V	3.0000V ± 11
4		30V	30.000V ± 13
5		300V	300.00V ± 13
6		1000V	1000.0V ± 5
7	V ACV	3V	ショート ± 3
8		3V	3.0000V(100Hz) ± 33
9		30V	30.000V(100Hz) ± 33
10			(600Hz) ± 65
11		300V	300.00V(100Hz) ± 33
12			(600Hz) ± 65
13		750V	750.00V(100Hz) ± 10, 5
14			(600Hz) ± 20
15	A DCI	300 μ A	ショート ± 2
16		300 μ A	300.00 μ A ± 32
17		3mA	3.0000mA ± 32
18		30mA	30.000mA ± 32
19		300mA	300.00mA ± 47
20		10A	10.000A ± 17

ステップ	ファンクションとレンジ	テスト入力	許容誤差(カウント)
21 A	ACI	300 $\mu$ A	ショート $\pm 5$
22		300 $\mu$ A	300.00 $\mu$ A(100Hz) $\pm 65$
23		3mA	3.0000mA(100Hz) $\pm 65$
24		30mA	30.000mA(100Hz) $\pm 65$
25		300mA	300.00mA(100Hz) $\pm 65$
26		10A	10.000A(100Hz) $\pm 25$
27 $\Omega$	オーム	300 $\Omega$	ショート $\pm 2$
28		300 $\Omega$	300.00 $\Omega$ $\pm 22$
29		3k $\Omega$	3.0000k $\Omega$ $\pm 22$
30		30k $\Omega$	30.000k $\Omega$ $\pm 22$
31		300k $\Omega$	300.00k $\Omega$ $\pm 22$
32		3M $\Omega$	3.0000M $\Omega$ $\pm 22$
33		30M $\Omega$	30.000M $\Omega$ $\pm 61$
34 $\rightarrow$	導通 チェック	*	TONE 約<20 $\Omega$
35 $\rightarrow$	ダイオード・テスト		1.000VDC $\pm 32$
36 $^{\circ}$ C	温度 テスト	ショート	室温 * $\pm 2.5$

\* 室温は0.1 $^{\circ}$ Cの精度の温度計で測定。

### トラブルシューティング/保守

故障の際は、下表を参照してください。

トラブル	考えられる原因/修理法
電源を入れてもLCDが何も表示しない	バッテリー電圧が低下している バッテリーを交換する
表示が安定しない	本器がRFノイズ源の近くにある 本器を他の場所へ移す
$\mu$ AまたはmAレンジで電流測定ができない	ヒューズがとんでいる ヒューズを交換する(スペア・ヒューズはリア・カバーにある)

### ケースの開閉

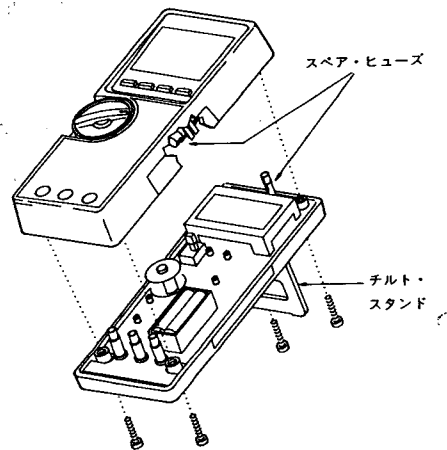
バッテリーやヒューズを交換したり、および校正を行うためには、本器のケースの上面を外さなければなりません。ケースを開けた状態で本器を取り扱う際は、帯電に注意してください。

### ケースの開け方

1. ケース底部の4隅にあるM3 (E2377A) ネジまたはM4 (E2378A) ネジを緩めます(次ページの図を参照)。

6-10

2. 注意してケース上面を持ち上げます。PCボードとケース底部を離すことはできません。



### ケースの閉じ方

1. HP E2378Aには防水のためのゴム製のガスケットがついています。このゴム・ガスケットを装着してから、ケースを閉じてください。
2. 注意深くケース上面とPCボード/ケース底部を合わせます。このとき、ファンクション・スイッチを回さないと入らないことがあります。
3. ネジは対角線的に交互に締めます。上下のカバーがしっかり合ったら、すべてのネジを最後にもう一度締めます。

### 防水性

HP E2378Aは、防水性を施すためのゴム・ガスケットにより密閉されています。この防水性はIEC 529/1976 IPX3 に準拠するものです。ただし、これは水中またはケースを濡らした状態で本器を使用できるというわけではありません。



### 警告

HP E2378Aを水中またはケースを濡らした状態で使用しないでください。ケースが濡れたら、使用前に水分をよく拭き取ってください。


6-11



### バッテリーとヒューズの交換

注記：バッテリーやヒューズを交換するには、ケースを開けなければなりません。ケースを開ける前には、必ずすべての入力を切り離してください。

### バッテリーの交換

バッテリー電圧が低下すると、本器の使用中に  のシンボルがディスプレイに現れます。前述の方法でケースを開け、できるだけ早く2つのバッテリーを新しいものと交換してください。設置する際の極性の指示に従って、AAAタイプのアルカリ・バッテリー (IEC LR03) と交換します。交換後、前述の方法でケースを閉じます。

### ヒューズの交換

“ $\mu$ A”、“mA”、“10A”ファンクションで電流を測定できない場合、保護ヒューズがとんでいる可能性があります。スベア・ヒューズはケース内部にあります (前記の図を参照)。ヒューズのボルト/アンペア定格の仕様は、 $\mu$ A/mA入力の場合は500mA/250Vのファースト・ブロー・タイプ、10A入力の場合は15A/250Vのファースト・ブロー・タイプです。前述の方法で、ケースを開け、ヒューズの交換を行ってから、ケースを閉じます。

仕様 (23°C  $\pm$  5°C, <80% RH)

校正期間：1年以内

精度 (全ファンクション)  $\pm$  (読みの% + デジット)

温度係数：仕様精度  $\times$  0.1/°C (0 ~ 18°C, 28 ~ 40°C)

### V $\rightleftharpoons$ 直流電圧

レンジ	分解能	精度	入力抵抗	最大入力
300mV	100 $\mu$ V	0.3% + 2	> 1000M $\Omega$	$\pm$ 1000VDC または 750Vrms
3V	1mV	0.3% + 2	11M $\Omega$	
30V	10mV	0.4% + 1	10M $\Omega$	
300V	100mV	0.4% + 1	10M $\Omega$	
1000V	1V	0.4% + 1	10M $\Omega$	

コモン・モード除去比 (1k $\Omega$  不平衡) : > 120dB @ 50/60Hz  $\pm$  0.1%

### V $\sim$ 交流電圧 (40Hz ~ 1kHz)

レンジ	分解能	精度 40~500Hz	精度 500Hz~1kHz	入力抵抗	最大入力
3V	1mV	1.0% + 3	—	11M $\Omega$ $\leq$ 50pF	$\pm$ 1000VDC または 750Vrms
30V	10mV	1.0% + 3	2.0% + 5	10M $\Omega$ $\leq$ 50pF	
300V	100mV	1.0% + 3	2.0% + 5	10M $\Omega$ $\leq$ 50pF	
750V	1V	1.0% + 3	2.0% + 5	10M $\Omega$ $\leq$ 50pF	

V および A  $\sim$  は平均値表示方式で、正弦波の実効値で校正されています。

6-12

### A $\rightleftharpoons$ 直流電流

レンジ	分解能	精度	負荷電圧	最大入力
300 $\mu$ A	100nA	1.0% + 2	< 0.2V	$\pm$ 0.5A, 500mA/250V ヒューズ付き
3000 $\mu$ A	1 $\mu$ A	1.0% + 2	< 2.0V	
30mA	10 $\mu$ A	1.0% + 2	< 0.25V	10Aレンジ: $\pm$ 10A, 15A/250V ヒューズ付き
300mA	100 $\mu$ A	1.5% + 2	< 2.5V	
10A	10mA	1.5% + 2	< 0.6V	

### A $\sim$ 交流電流 (40Hz ~ 1kHz)

レンジ	分解能	精度	負荷電圧	最大入力
300 $\mu$ A	100nA	2.0% + 5	< 0.2Vrms	0.5Arms 500mA/250V ヒューズ付き
3000 $\mu$ A	1 $\mu$ A	2.0% + 5	< 2.0Vrms	
30mA	10 $\mu$ A	2.0% + 5	< 0.25Vrms	10Aレンジ: 10Arms, 15A/250V ヒューズ付き
300mA	100 $\mu$ A	2.0% + 5	< 2.5Vrms	
10A	10mA	2.0% + 5	< 0.6Vrms	

### $\Omega$ 抵抗

レンジ	分解能	精度	最大テスト電流	開放時の端子間電圧	入力保護
300 $\Omega$	100m $\Omega$	0.7% + 2	0.7mA	< 1.3V	500Vrms
3k $\Omega$	1 $\Omega$	0.7% + 1	130 $\mu$ A		
30k $\Omega$	10 $\Omega$	0.7% + 1	13 $\mu$ A		
300k $\Omega$	100 $\Omega$	0.7% + 1	1.3 $\mu$ A		
3M $\Omega$	1k $\Omega$	0.7% + 1	130nA		
30M $\Omega$	10k $\Omega$	2.0% + 1	130nA		

### 導通チェック

レンジ	分解能	導通ビープ	最大テスト電流	開放時の端子間電圧	入力保護
300 $\Omega$	100m $\Omega$	< 約20 $\Omega$	0.7mA	< 1.3V	500Vrms

6-13

### ◆ ダイオード・テスト

レンジ	分解能	精度	テスト電流	開放時の 端子間電圧	入力保護
0 ~ 2 V	1mV	3% + 2	0.6mA (Vf=0.6V)	< 3.3V	500 Vrms

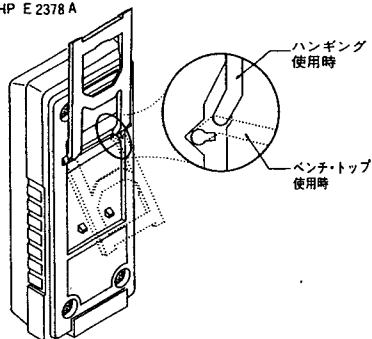
### ℃ 温度テスト

レンジ	分解能	精度(センサ・エラー が少ない場合)	入力保護	センサ
-20 ~ 700°C	1°C	2.0% + 2	250Vrms	Kタイプ

### 一般仕様

- 動作温度：0 ~ 40°C，最高20 ~ 80% RH（結露なし）
- 保存温度：-20 ~ 70°C，最高20 ~ 70% RH（結露なし）
- コモン・モード最大電圧：±1000V DCまたは750Vrms (1000V ピーク)。入力端子-アース間
- 電源：IEC LR03 (AAA) 1.5V × 2
- バッテリー寿命：1000時間以上（アルカリ・バッテリー）
- 外形寸法：E2377A 80(幅) × 176(高さ) × 45(奥行)mm  
E2378A 89(幅) × 186(高さ) × 45(奥行)mm
- 重さ：E2377A 約333g (バッテリーを含む)  
E2378A 約475g (バッテリーを含む)
- 組込みチルト・スタンド
- 付属品：操作マニュアル、テスト・リード、バッテリー、スペアヒューズ (0.5A/250V ファースト・ブローおよび15A/250V ファースト・ブロー (Bussman GDA-500mAまたは同等品、ABC-15または同等品))

HP E 2378 A



6-14

### 3年保証

#### 保証の対象

HP E2377A/E2378Aは最初の購入日から3年間外表、機能が保証されています。転売した場合、あるいは別の使用者に譲渡された場合でも製品購入日からの3年間が継続します。保証期間中、本製品をYHPサービス・センタで修理、あるいは、当方にて必要と認められた場合には交換を無料で行います。

#### 保証対象外のもの

事故、誤った操作、YHPサービス・センタ以外の者による修理、改造によって損傷を受けたものは保証の対象にはなりません。

保証の内容は上記がすべてです。また、YHPは間接障害に対しては責任を負いかねます。

本保証書は特定の法律的な権利を提供し、さらにその他の権利も提供するものですが、その内容は国によりそれぞれ異なります。

6

6-15