

Errata

Title & Document Type: 8684A Signal Generator Operating and Service Manual

Manual Part Number: 08684-90037

Revision Date: September 1984

About this Manual

We've added this manual to the Agilent website in an effort to help you support your product. This manual provides the best information we could find. It may be incomplete or contain dated information, and the scan quality may not be ideal. If we find a better copy in the future, we will add it to the Agilent website.

HP References in this Manual

This manual may contain references to HP or Hewlett-Packard. Please note that Hewlett-Packard's former test and measurement, life sciences, and chemical analysis businesses are now part of Agilent Technologies. The HP XXXX referred to in this document is now the Agilent XXXX. For example, model number HP8648A is now model number Agilent 8648A. We have made no changes to this manual copy.

Support for Your Product

Agilent no longer sells or supports this product. You will find any other available product information on the Agilent Test & Measurement website:

www.agilent.com

Search for the model number of this product, and the resulting product page will guide you to any available information. Our service centers may be able to perform calibration if no repair parts are needed, but no other support from Agilent is available.

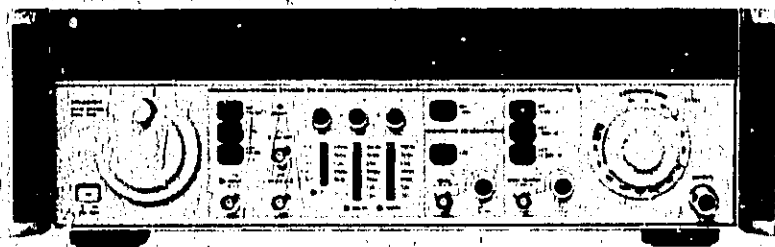


Agilent Technologies

HP 8684B

OPERATING AND SERVICE MANUAL

HP 8684B SIGNAL GENERATOR 5.4—12.5 GHz



 **HEWLETT
PACKARD**

HP 8684B

CERTIFICATION

Hewlett-Packard Company certifies that this product met its published specifications at the time of shipment from the factory. Hewlett-Packard further certifies that its calibration measurements are traceable to the United States National Bureau of Standards, to the extent allowed by the Bureau's calibration facility, and to the calibration facilities of other International Standards Organization members.

WARRANTY

This Hewlett-Packard instrument product is warranted against defects in material and workmanship for a period of one year from date of shipment, except that in the case of certain components listed in Section I of this manual, the warranty shall be for the specified period. During the warranty period, Hewlett-Packard Company will, at its option, either repair or replace products which prove to be defective.

For warranty service or repair, this product must be returned to a service facility designated by HP. Buyer shall prepay shipping charges to HP and HP shall pay shipping charges to return the product to Buyer. However, Buyer shall pay all shipping charges, duties, and taxes for products returned to HP from another country.

HP warrants that its software and firmware designated by HP for use with an instrument will execute its programming instructions when properly installed on that instrument. HP does not warrant that the operation of the instrument, or software, or firmware will be uninterrupted or error free.

LIMITATION OF WARRANTY

The foregoing warranty shall not apply to defects resulting from improper or inadequate maintenance by Buyer, Buyer-supplied software or interfacing, unauthorized modification or misuse, operation outside of the environmental specifications for the product, or improper site preparation or maintenance.

NO OTHER WARRANTY IS EXPRESSED OR IMPLIED. HP SPECIFICALLY DISCLAIMS THE IMPLIED WARRANTIES OF MERCHANTABILITY AND FITNESS FOR A PARTICULAR PURPOSE.

EXCLUSIVE REMEDIES

THE REMEDIES PROVIDED HEREIN ARE BUYER'S SOLE AND EXCLUSIVE REMEDIES. HP SHALL NOT BE LIABLE FOR ANY DIRECT, INDIRECT, SPECIAL, INCIDENTAL, OR CONSEQUENTIAL DAMAGES, WHETHER BASED ON CONTRACT, TORT, OR ANY OTHER LEGAL THEORY.

ASSISTANCE

Product maintenance agreements and other customer assistance agreements are available for Hewlett-Packard products.

For any assistance, contact your nearest Hewlett-Packard Sales and Service Office. Addresses are provided at the back of this manual.

OPERATING AND SERVICE MANUAL

**HP 8684B
SIGNAL GENERATOR
5.4—12.5 GHz
(Including Options 002 & 003)**

SERIAL NUMBERS

This manual applies directly to instruments with serial numbers prefixed 2422A.

For additional important information about serial numbers, see **INSTRUMENTS COVERED BY THIS MANUAL** in Section I.



© Copyright HEWLETT-PACKARD COMPANY 1981, 1984
1501 PAGE MILL ROAD, PALO ALTO, CALIFORNIA U.S.A.

OPERATING AND SERVICE MANUAL PART NO. 08684-90037
Operating Manual Part No. 08684-90045
Microfiche Part No. 08684-90046


Printed: SEPTEMBER 1984

CONTENTS

| | Page |
|---|------|
| Section I | |
| GENERAL INFORMATION | |
| Introduction | 1-1 |
| Specifications | 1-1 |
| Safety Considerations | 1-1 |
| Instruments Covered by This Manual | 1-1 |
| Description | 1-2 |
| Options | 1-3 |
| Reverse Power Protection (Option 002) | 1-3 |
| Electrical 400 Hz Line Frequency | |
| Operation (Option 003) | 1-3 |
| Mechanical Rack Flange Kit | |
| (Option 913) | 1-3 |
| Accessories Supplied | 1-3 |
| Accessories Available | 1-3 |
| Chassis Slide Mount Kit | 1-3 |
| Chassis Tilt Slide Mount Kit | 1-3 |
| Recommended Test Equipment | 1-3 |
| Section II | |
| INSTALLATION | |
| Introduction | 2-1 |
| Initial Inspection | 2-1 |
| Preparation For Use | 2-1 |
| Power Requirements | 2-1 |
| Line Voltage and Fuse Selection | 2-1 |
| Power Cable | 2-2 |
| Mating Connectors | 2-2 |
| Operating Environment | 2-2 |
| Bench Operation | 2-2 |
| Rack Mounting | 2-2 |
| Storage and Shipment | 2-3 |
| Environment | 2-3 |
| Packaging | 2-3 |
| Section III | |
| OPERATION | |
| Introduction | 3-1 |
| Operating Characteristics | 3-1 |
| Operator's Checks | 3-7 |
| Operating Instructions | 3-8 |
| CW Mode Operation | 3-8 |
| AM Mode Operation | 3-8 |
| FM Mode Operation | 3-9 |
| Pulse Mode Operation | 3-9 |
| Internal Pulse Mode Operation | 3-10 |
| External Trigger Mode Operation | 3-10 |
| External Pulse Mode Operation | 3-10 |
| Section IV | |
| PERFORMANCE TESTS | |
| Introduction | 4-1 |

| | Page |
|--|------|
| Equipment Required | 4-1 |
| Performance Test Record | 4-1 |
| Calibration Cycle | 4-1 |
| Abbreviated Performance Tests | 4-1 |
| Test Procedures | 4-2 |
| Frequency Range and Accuracy Tests | 4-3 |
| Spectral Purity Test | 4-5 |
| RF Output Test | 4-8 |
| Amplitude Modulation Test | 4-12 |
| Frequency Modulation Test | 4-15 |
| External Pulse Requirements Test | 4-19 |
| RF Pulse Output Test | 4-20 |
| Internal Pulse Generator Test | 4-23 |

Section V ADJUSTMENTS

| | |
|--|--|
| Introduction | 5-1 |
| Safety Considerations | 5-1 |
| Equipment Required | 5-1 |
| Factory Selected Components | 5-1 |
| Interrelated Adjustments | 5-1 |
| Post-Repair Tests, Adjustments, and Checks | 5-1 |
| A11 Power Supply Adjustments | 5-3 |
| A7 ALC Reference Adjustments | 5-5 |
| A5 ALC Control and A6 ALC Detector | |
| Amplifier Adjustments | 5-7 |
| A10 FM Shaper Adjustments | 5-11 |
| A8 I/O (Input/Output) Adjustment | 5-13 |
| Pulse Generator A2 Rate, A3 Delay, and | |
| A4 Width Adjustments | 5-15 |
| Setting Physical Stops of Frequency | |
| Tuning Mechanism | 5-17  |
| Number of Turns Too High | 5-17 |
| Number of Turns Too Low | 5-17 |
| Lubrication of the Drive Assembly | 5-18 |
| Disassembly | 5-18 |
| Lubrication | 5-18 |
| Reassembly | 5-19 |

Section VI REPLACEABLE PARTS

| | |
|--|-----|
| Introduction | 6-1 |
| Abbreviations | 6-1 |
| Replaceable Parts List | 6-1 |
| Factory Selected Parts (*) | 6-1 |
| Parts List Backdating (†) | 6-1 |
| Parts List Updating (Change Sheet) | 6-1 |
| Illustrated Parts Breakdown | 6-1 |
| Ordering Information | 6-1 |
| Recommended Spares List | 6-2 |
| Restored Assemblies | 6-2 |

CONTENTS (cont'd)

| | Page | | Page |
|---|------|--|------|
| Section VII MANUAL CHANGES | | | |
| Introduction | 7-1 | Other Service Documents | 8-3 |
| Manual Changes | 7-1 | Post-Service Product Safety Checks | 8-3 |
| Manual Change Instructions | 7-1 | Etched Circuits (Printed Circuit Boards) | 8-3 |
| | | MOS and CMOS Integrated Circuit Replacement | 8-4 |
| Section VIII SERVICE | | | |
| Introduction | 8-1 | Logic Symbology | 8-4 |
| Service Sheets | 8-1 | Qualifiers | 8-4 |
| Block Diagram | 8-1 | Indicator Symbols | 8-4 |
| Schematic Diagrams | 8-1 | Contiguous Blocks | 8-4 |
| Safety Considerations | 8-1 | Dependency Notation | 8-4 |
| Before Applying Power | 8-1 | Common Control Block | 8-4 |
| Warnings and Cautions | 8-1 | Linear Device Theory | 8-8 |
| Recommended Test Equipment and Accessories | 8-2 | Operational Amplifiers | 8-8 |
| Service Tools, Aids, and Information | 8-2 | Comparators | 8-9 |
| Service Tools | 8-2 | Limiter (Transistor Array) | 8-10 |
| Hardware | 8-3 | Schematic Diagram Notes | 8-10 |
| Assembly, Component & Cable Locations | 8-3 | Diagnostics | 8-19 |
| Test Point and Adjustment Locations | 8-3 | Power-Up Diagnostics | 8-24 |
| Service Aids and Printed Circuit Boards | 8-3 | RAM Checks | 8-24 |
| | | ROM Checks | 8-24 |
| | | Front Panel Checks | 8-24 |
| | | Table Tests | 8-25 |
| | | DAC Self Test | 8-26 |
| | | Voltage Limit Tests | 8-26 |

SERVICE SHEETS

| Service Sheet | Page | Service Sheet | Page |
|--|------|--|------|
| BD1 Simplified Block Diagram | 8-28 | SS7 A5 ALC Schematic | 8-50 |
| BD2 Microwave Chain Block Diagram | 8-36 | SS8 A6 Detector Amplifier Schematic | 8-52 |
| SS1 A1 Front Panel Schematic | 8-38 | SS9 A7 ALC Reference Schematic | 8-54 |
| SS2 A1 Front Panel Schematic | 8-40 | SS10 A8 I/O Assembly Schematic | 8-56 |
| SS3 A1 Front Panel Schematic | 8-42 | SS11 A9 Central Processor Schematic | 8-58 |
| SS4 A2 Pulse Rate Schematic | 8-44 | SS12 A10 FM Shaper Schematic | 8-60 |
| SS5 A3 Pulse Delay Schematic | 8-46 | SS13 A11 Power Supply Schematic | 8-62 |
| SS6 A4 Pulse Width Schematic | 8-48 | SS14 A11 Power Supply Schematic | 8-64 |

ILLUSTRATIONS

| Figure | Page | Figure | Page |
|--|------|--|------|
| 1-1. HP Model 8684B Signal Generator with Acces- sories Supplied and Option Available | 1-0 | 4-3. Spectral Purity Test Setup | 4-5 |
| 2-1. Line Voltage and Fuse Selection | 2-2 | 4-4. Residual FM Test Setup | 4-7 |
| 2-2. Power Cable and Plug Part Numbers | 2-3 | 4-5. RF Output Test Setup | 4-8 |
| 3-1. Simplified Front Panel Features | 3-2 | 4-6. AM Depth, AM Distortion and AM Rates, and Incidental FM Test Setup | 4-13 |
| 3-2. Display and Control Features | 3-2 | 4-7. Internal AM Test Setup | 4-14 |
| 3-3. Rear Panel Features | 3-6 | 4-8. FM Rate Test Setup | 4-16 |
| 4-1. Sawtooth Spectrum | 4-2 | 4-9. Incidental AM Test Setup | 4-17 |
| 4-2. Frequency Range and Calibration Accuracy Test Setup | 4-3 | 4-10. FM Distortion Test Setup | 4-18 |
| | | 4-11. RF Pulse Characteristics Test Setup | 4-20 |
| | | 4-12. Pulse Characteristic Definitions | 4-21 |
| | | 4-13. Internal Pulse Generator Test Setup | 4-23 |

ILLUSTRATIONS (cont'd)

| Figure | | Page | Figure | Page | |
|--------|---|------|--------|---|------|
| 5-1. | A11 Power Supply Adjustments | 5-3 | 8-26. | Front Panel Simplified Block Diagram ... | 8-43 |
| 5-2. | A7 ALC Reference Adjustments Setup | 5-5 | 8-27. | P/O Front Panel Schematic Diagram | 8-43 |
| 5-3. | A5 ALC Control and A6 ALC Detector Amplifier Adjustments Setup | 5-7 | 8-28. | Pulse Rate Generator Component Locations | 8-44 |
| 5-4. | A6 Assembly Adjustment Locations | 5-8 | 8-29. | Pulse Rate Generator Simplified Block Diagram | 8-45 |
| 5-5. | Ferrite Coupling Transformer Circuit | 5-9 | 8-30. | Pulse Rate Generator Schematic Diagram | 8-45 |
| 5-6. | A10 FM Shaper Adjustments Setup | 5-11 | 8-31. | Typical Waveform at A3TP2 | 8-46 |
| 5-7. | A8 I/O (Input/Output) Adjustments Setup | 5-13 | 8-32. | Pulse Delay Generator Component Locations | 8-46 |
| 5-8. | Pulse Generator A2 Rate, A3 Delay, and A4 Width Adjustments Setup | 5-15 | 8-33. | Pulse Delay Generator Simplified Block Diagram | 8-47 |
| 6-1. | A18 Oscillator Drive Assembly Illustrated Parts Breakdown | 6-36 | 8-34. | Pulse Delay Generator Schematic Diagram | 8-47 |
| 6-2. | Front Panel Illustrated Parts Breakdown | 6-42 | 8-35. | Pulse Width Generator Component Locations | 8-48 |
| 6-3. | Rear Panel Illustrated Parts Breakdown | 6-44 | 8-36. | Pulse Width Generator Simplified Block Diagram | 8-49 |
| 6-4. | Cabinet Parts Illustrated Parts Breakdown | 6-46 | 8-37. | Pulse Width Generator Schematic Diagram | 8-49 |
| 7-1. | P/O Power Supply (Negative Regulator Schematic Diagram (Change A | 7-1 | 8-38. | ALC Control Component Locations | 8-50 |
| 8-1. | Basic Logic Symbols and Qualifiers | 8-5 | 8-39. | ALC Control Simplified Block Diagram | 8-51 |
| 8-2. | Indicator Symbols | 8-6 | 8-40. | ALC Control Schematic Diagram | 8-51 |
| 8-3. | Contiguous Blocks | 8-7 | 8-41. | ALC Detector Amplifier Component Locations | 8-52 |
| 8-4. | AND Dependency Notation | 8-7 | 8-42. | ALC Detector Amplifier Simplified Block Diagram | 8-53 |
| 8-5. | Address Dependency Notation: Coder Example Using Alpha Characters (Letters) | 8-7 | 8-43. | ALC Detector Amplifier Schematic Diagram | 8-53 |
| 8-6. | OR and Free Dependency Notation | 8-8 | 8-44. | Voltage at A7TP3 vs. Power Output | 8-54 |
| 8-7. | Common Control Block | 8-8 | 8-45. | ALC Reference Component Locations | 8-54 |
| 8-8. | Quad D-Type Latch (Individual) | 8-8 | 8-46. | ALC Reference Simplified Block Diagram | 8-55 |
| 8-9. | Quad D-Type Latch (Combined) | 8-9 | 8-47. | ALC Reference Schematic Diagram | 8-55 |
| 8-10. | Non-Inverting Amplifier (Gain = 1) | 8-9 | 8-48. | Input/Output Component Locations | 8-56 |
| 8-11. | Non-Inverting Amplifier (Gain = $1+R1/R2$) | 8-9 | 8-49. | Input/Output Simplified Block Diagram | 8-57 |
| 8-12. | Inverting Amplifier (Gain = $-R1/R2$) | 8-9 | 8-50. | Input/Output Schematic Diagram | 8-57 |
| 8-13. | Non-Inverting Comparator | 8-10 | 8-51. | Central Processing Unit Component Locations | 8-58 |
| 8-14. | Inverting Comparator | 8-10 | 8-52. | Central Processing Unit Simplified Schematic Diagram | 8-59 |
| 8-15. | Limitter (Transistor Array) | 8-10 | 8-53. | Central Processing Unit Schematic Diagram | 8-59 |
| 8-16. | Diagnostic Indexing Keys | 8-19 | 8-54. | FM Shaper Simplified Block Diagram | 8-61 |
| 8-17. | Simplified Block Diagram | 8-35 | 8-55. | FM Shaper Component Locations | 8-60 |
| 8-18. | Microwave Chain Block Diagram | 8-37 | 8-56. | FM Shaper Schematic Diagram | 8-61 |
| 8-19. | Front Panel Component Locations | 8-38 | 8-57. | Power Supply Component Locations | 8-63 |
| 8-20. | Front Panel Simplified Block Diagram ... | 8-39 | 8-58. | Power Supply (Negative Regulator) Schematic Diagram | 8-63 |
| 8-21. | P/O Front Panel Simplified Block Diagram | 8-39 | | | |
| 8-22. | Front Panel Component Locations | 8-40 | | | |
| 8-23. | Front Panel Simplified Block Diagram ... | 8-41 | | | |
| 8-24. | P/O Front Panel Schematic Diagram | 8-41 | | | |
| 8-25. | Front Panel Component Locations | 8-42 | | | |

ILLUSTRATIONS (cont'd)

| Figure | Page | Figure | Page |
|--|------|---------------------------|------|
| 8-59. Power Supply Component Locations | 8-65 | 8-61. Motherboard | |
| 8-60. Power Supply (Positive Regulator) | | Component Locations | 8-66 |
| Schematic Diagram | 8-65 | | |

TABLES

| Table | Page | Table | Page |
|---|------|--|------|
| 1-1. Specifications | 1-4 | 8-1. Etched Circuit Soldering Equipment | 8-2 |
| 1-2. Supplemental Characteristics | 1-9 | 8-2. Schematic Diagram Notes | 8-11 |
| 1-3. Recommended Test Equipment | 1-11 | 8-3. Typical Text Displayed on Terminal Screen | |
| 1-4. Service Accessories | 1-13 | for Diagnostic Test 30 | 8-11 |
| | | 8-4. Summary of Diagnostic Tests 0—28 | 8-20 |
| 2-1. Fuse Ratings and Part Numbers | 2-2 | 8-5. Summary of Diagnostic Tests 29—38 | 8-23 |
| | | 8-6. ROM Error Codes | 8-24 |
| 3-1. Operating Characteristics | 3-1 | 8-7. Front panel Error Codes | 8-25 |
| 3-2. Power-up Error Codes | 3-7 | 8-8. Table Tests | 8-25 |
| | | 8-9. I/O Channel Voltage Limits | 8-26 |
| 4-1. Performance Test Record | 4-27 | 8-10. USA Modem Connector | |
| | | Pin Assignments | 8-27 |
| 5-1. Factory Selected Components | 5-2 | 8-11. Turn-on Errors | 8-30 |
| 5-2. Post-Repair Adjustments, Tests, | | 8-12. Frequency Accuracy | 8-33 |
| and Checks | 5-2 | 8-13. Front Panel Errors | 8-38 |
| 5-3. Voltage Levels | 5-3 | 8-14. Transistor Voltages | 8-46 |
| | | 8-15. DAC Signatures | 8-56 |
| 6-1. Part Numbers for Restored Assemblies | 6-2 | 8-16. Program Data Latch Signatures | 8-56 |
| 6-2. Reference Designations and | | 8-17. Address Line Signatures | 8-58 |
| Abbreviations | 6-3 | 8-18. ROM Data Line Signatures | 8-58 |
| 6-3. Replaceable Parts | 6-5 | 8-19. A9U2 Address Decoder Signatures | 8-58 |
| 6-4. Code List of Manufacturers | 6-48 | 8-20. A9U3 Address Decoder Signatures | 8-58 |
| | | 8-21. Negative Power Supply Test Data | 8-63 |
| 7-1. Manual Changes by Serial Number | 7-1 | 8-22. Positive Power Supply Test Data | 8-64 |

SAFETY CONSIDERATIONS

GENERAL

This product and related documentation must be reviewed for familiarization with safety markings and instructions before operation.

This product is a Safety Class I instrument (provided with a protective earth terminal).

BEFORE APPLYING POWER

Verify that the product is set to match the available line voltage and the correct fuse is installed.

SAFETY EARTH GROUND

An uninterruptible safety earth ground must be provided from the main power source to the product input wiring terminals, power cord, or supplied power cord set.

WARNINGS

Any interruption of the protective (grounding) conductor (inside or outside the instrument) or disconnecting the protective earth terminal will cause a potential shock hazard that could result in personal injury. (Grounding one conductor of a two conductor outlet is not sufficient protection.) In addition, verify that a common ground exists between the unit under test and this instrument prior to energizing either unit.

Whenever it is likely that the protection has been impaired, the instrument must be made inoperative and be secured against any unintended operation.

If this instrument is to be energized via an auto-transformer (for voltage reduction) make sure the common terminal is connected to neutral (that is, the grounded side of the mains supply).

Servicing instructions are for use by service-trained personnel only. To avoid dangerous electric shock, do not perform any servicing unless qualified to do so.

Adjustments described in the manual are performed with power supplied to the instrument

while protective covers are removed. Energy available at many points may, if contacted, result in personal injury.

Capacitors inside the instrument may still be charged even if the instrument has been disconnected from its source of supply.

For continued protection against fire hazard, replace the line fuse(s) only with 250V fuse(s) of the same current rating and type (for example, normal blow, time delay, etc.). Do not use repaired fuses or short circuited fuseholders.

SAFETY SYMBOLS



Instruction manual symbol: the product will be marked with this symbol when it is necessary for the user to refer to the instruction manual (see Table of Contents for page references).



Indicates hazardous voltages.



Indicates earth (ground) terminal.

WARNING

The WARNING sign denotes a hazard. It calls attention to a procedure, practice, or the like, which, if not correctly performed or adhered to, could result in personal injury. Do not proceed beyond a WARNING sign until the indicated conditions are fully understood and met.

CAUTION

The CAUTION sign denotes a hazard. It calls attention to an operating procedure, practice, or the like, which, if not correctly performed or adhered to, could result in damage to or destruction of part or all of the product. Do not proceed beyond a CAUTION sign until the indicated conditions are fully understood and met.

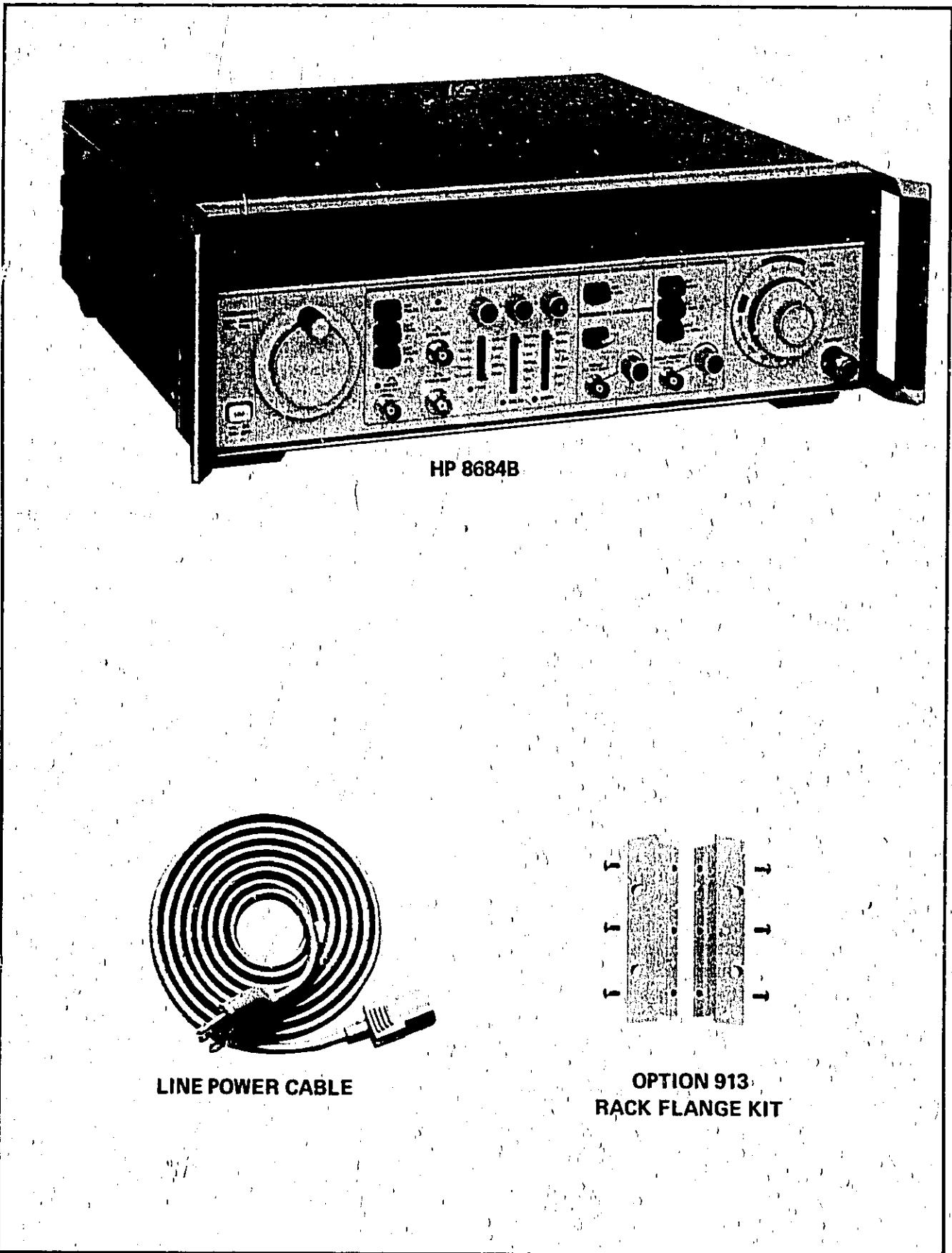


Figure 1-1. HP 8684B Signal Generator with Accessory Supplied and Option Available

SECTION I GENERAL INFORMATION

1-1. INTRODUCTION

This manual contains information required to install, operate, test, and service the Hewlett-Packard 8684B Signal Generator. The Signal Generator is shown in Figure 1-1 with externally supplied accessory and the available rack mounting option. This manual also documents Option 002, which provides reverse power protection at the RF OUTPUT, and Option 003, which adds the capability of operating from 48 to 440 Hz power sources.

This section of the manual covers the instrument description, options, accessories, specifications, and other basic information. The remaining sections cover the following information.

- Section II Installation
- Section III Operation
- Section IV Performance Tests
- Section V Adjustments
- Section VI Replaceable Parts
- Section VII Manual Changes
- Section VIII Service

Two copies of the operating information are supplied with the Signal Generator. One copy is in the form of an Operating Manual and simply is a copy of the first three sections of the Operating and Service Manual. It should remain with the instrument for use by the operator. The other copy provided is the Operating and Service Manual which should be retained by the technicians responsible for the periodic servicing of the instrument. Additional copies of either manual may be ordered through your nearest Hewlett-Packard sales office. The part numbers are listed on the title page of this manual.

The Operating and Service Manual is also available in microfiche form, and the microfiche part number is also listed on the title page. This number may be used to order the 100 x 150 mm (4 by 6 inch) microfilm transparencies. Each transparency contains up to 98 photo-duplicates of the manual pages and the package includes the latest manual change supplements.

1-2. SPECIFICATIONS

Instrument specifications are listed in Table 1-1. These specifications are the performance stan-

dards or limits against which the instrument may be tested. Supplemental characteristics are listed in Table 1-2. Supplemental characteristics are not warranted specifications, but are typical characteristics included as additional information for the user.

1-3. SAFETY CONSIDERATIONS

This product is a Safety Class I instrument (i.e., provided with a protective earth terminal). The Signal Generator and all related documentation must be reviewed for familiarization with safety markings and instructions before operation. Refer to the Safety Considerations page found at the beginning of this manual for a summary of the safety information. Safety information pertinent to the task at hand (installation, performance testing, adjustment, or service) will be found throughout the manual.

1-4. INSTRUMENTS COVERED BY THIS MANUAL

This instrument has a two-part serial number in the form of 0000A00000. The number is stamped on the serial number plate attached to the rear panel of the instrument. The first four digits and the letter constitute the serial number prefix, and the last five digits form the suffix. The prefix is the same for all identical instruments, and it changes only when a change is made to the instrument. The suffix, however, is assigned sequentially and is different for each instrument. The contents of this manual apply directly to instruments having the same serial number prefix(es) as listed under Serial Numbers on the title page.

An instrument manufactured after the printing of this manual may have a serial number prefix that is not listed on the title page. This unlisted serial number prefix indicates that the instrument is different from those documented in the manual. The manual for a newer instrument is accompanied by a yellow Manual Changes supplement which contains the change information that explains how to adapt the manual to the newer instrument.

In addition to change information, the supplement may contain information for correcting

INSTRUMENTS COVERED BY THIS MANUAL (cont'd)

errors in the manual. In order to keep your manual as current and accurate as possible, it is recommended that you periodically request the latest Manual Changes supplement. The supplements are identified with the manual print date and part number, both of which appear on the manual title page. Complimentary copies of the supplements are available from Hewlett-Packard.

For information concerning a serial number prefix that is not listed on the title page or in the Manual Changes supplement, contact your nearest Hewlett-Packard office.

1-5. DESCRIPTION

The Hewlett-Packard Model 8684B is a cavity tuned, microprocessor enhanced, solid-state signal generator with a microwave output frequency range of 5.4 to 12.5 GHz. Its output is leveled and calibrated over the range of +10 dBm to -120 dBm, and power is available down to approximately -130 dBm. Internal amplitude modulation in the form of a 1 kHz square wave or FM in the form of a 1 kHz sawtooth may be individually selected, and the maximum frequency deviation of the FM may be adjusted from the front panel. An internal pulse generator may also be used to pulse modulate the microwave output. It includes both step and vernier controls for the pulse rate, pulse delay (referenced to a front-panel SYNC OUT signal), and pulse width. The internal pulse generator can be triggered by an external source that determines the pulse rate while the front-panel DELAY and WIDTH controls determine those characteristics. An external pulse generator may also be used to establish the pulse modulation characteristics. Whether derived from external or internal sources, AM, FM, and pulse modulation may be applied individually or in various combinations. However, interlocks provided by the microprocessor controlled system prevent the selection of two sources for the same type of modulation. For example, external AM and internal FM can be selected at the same time; external FM and internal FM cannot be selected at the same time. One other prohibited combination is the selection of the INT 1 kHz square wave along with the selection of internal or external pulse modulation. When a conflict occurs, the Signal Generator automatically turns off the previously selected mode and turns on the most recently selected mode.

The Signal Generator uses seven-segment digital LED displays to show the output frequency, modu-

lation level, and output level. Smaller LED indicators in each pushbutton key provide an immediate indication of whether or not that particular function is active. Other LED indicators provide warnings when the output is not properly leveled, when overmodulation is occurring, and when an improper combination of pulse parameters is selected.

The cable offset feature provides a front-panel key for turning the offset on and off, and a rear-panel control for entering cable length (up to 4.5 metres of RG-214 cable). Using the cable length data and the frequency of the Signal Generator output, the microprocessor computes the cable loss and then, operating through the automatic level control system, increases the output power level to compensate for the calculated losses. When the cable offset is turned on, the power level displayed by the Signal Generator is the computed power level at the end of the selected cable length. When the cable offset is turned off, the power level displayed by the Signal Generator is the level at the OUTPUT connector of the Signal Generator.

The setting of the rear-panel CABLE OFFSET control appears in the LEVEL display when the CABLE OFFSET key is held down. This makes it easy to verify the setting of the control or to adjust it to a new setting. The display resolution is one-tenth of a metre.

The Signal Generator has an extensive set of built-in diagnostic procedures that will rapidly identify most of the troubles that are likely to occur, and many of the procedures are automatically executed when the instrument is turned on. If a malfunction is detected, an error code number or other special display indicates the assembly at fault. The power-up error codes are described in Section III, Operation, and are also included inside the instrument on the top cover.

A second and more extensive set of diagnostic routines can be accessed by removing the top cover and switching the instrument to the diagnostic mode. This mode allows a technician (using the front-panel switches and indicators) to select individual diagnostic routines that will check power supplies, modulator voltages, detector outputs, flip-flop operation, and many other analog and digital functions. No external test equipment is required for the power-up diagnostics or for most of the testing in the diagnostic mode. The diagnostic routines are fully described in Section VIII, Service, and a summary is included inside the instrument on the top cover.

DESCRIPTION (cont'd)

Since a fault in the microprocessor might prevent either of the first two diagnostic modes from operating, a third level of diagnostic procedures is provided by signature analysis. It requires external test equipment, and provides an efficient method of troubleshooting digital circuitry. The signature analysis procedures are described in Section VIII, Service.

1-6. OPTIONS**1-7. Reverse Power Protection (Option 002)**

Option 002 provides 2 kW peak, 10W continuous, and 5kW- μ s pulse of reverse power protection at the RF OUTPUT.

1-8. Electrical 400 Hz Line Frequency Operation (Option 003)

Option 003 provides the additional capability of operating from 400 Hz power sources. Option 003 instruments can operate from line frequencies of 48 to 440 Hz, but operation at line frequencies greater than 66 Hz is limited to 100 or 120 Vac.

1-9. Mechanical Rack Flange Kit (Option 913)

This kit contains all necessary hardware and installation instructions for mounting the Signal Generator in a rack with standard 19-inch EIA (482.5 millimetres) spacing. The Signal Generator cabinet is 5-1/4 inches (133.4 mm) high. Order HP part number 5061-2071.

1-10. ACCESSORIES SUPPLIED

The accessory supplied with the Signal Generator is shown in Figure 1-1. The line power cable will be supplied in one of several configurations, depending upon the country of destination for the original shipment from the factory. Refer to Power Cables in Section II of this manual.

1-11. ACCESSORIES AVAILABLE**1-12. Chassis Slide Mount Kit**

This kit is very useful when the Signal Generator is to be rack mounted. It permits access to internal circuits and components, and access to the rear panel is possible without removing the instrument from the rack. Order HP part number 1494-0018 for the slide mount kit, and part number 1494-0023 for the adapters to be used with non-HP rack enclosures.

1-13. Chassis Tilt Slide Mount Kit

This kit is similar to the Chassis Slide Mount Kit but it also allows the instrument to be tilted up or down 90°. Order HP part number 1494-0025 for tilting slides, and part number 1494-0023 for the adapters to be used with non-HP rack enclosures.

1-14. RECOMMENDED TEST EQUIPMENT

Table 1-3 lists the test equipment recommended for use in testing, adjusting, and servicing the Signal Generator. If any of the recommended equipment is not available, instruments with equivalent critical specifications may be substituted. Table 1-4 provides a list of recommended service accessories.

Table 1-1. Specifications (1 of 5)

| Electrical Characteristics | Performance Limits | Conditions |
|--|--|---|
| FREQUENCY Range Display Resolution Calibration Accuracy | 5.4 GHz to 12.5 GHz 10 MHz ≤9 GHz ±1.25% >9 GHz ±0.75% | See Table 1-2, Supplemental Characteristics Using 3½-digit 7-segment display |
| SPECTRAL PURITY Harmonics Spurious Output Residual FM | <-25 dBc <-80 dBc <5 kHz peak | Up to 18 GHz at maximum specified power CW mode 50 Hz to 15 kHz post-detection bandwidth |
| RF OUTPUT Level Range with Option 002 Level Accuracy ¹ with Option 002 with Option 002 Display Resolution Level Flatness | +10 dBm to -130 dBm +9 dBm to -130 dBm ±2.5 dB ±3.0 dB ±3.5 dB ±4.0 dB 0.1 dB ±1.0 dB | Leveled into 50 Ω Leveled into 50Ω From maximum output to -110 dBm From maximum output to -110 dBm From <-110 dBm to -120 dBm From <-110 dBm to -120 dBm. Using a 3½-digit 7-segment display With indicated power level >-10 dBm |
| GENERAL MODULATION SPECIFICATIONS Types Internal AM Internal FM Internal Pulse External AM External FM External Pulse Simultaneous AM/FM or FM/Pulse. Metering | 1 kHz (nominal) square wave 1 kHz (nominal) sawtooth 3-digit LED display | |
| ¹ Accuracy error includes allowances for metering accuracy, detector linearity, temperature, flatness, harmonics, attenuator accuracy, and measurement error. Accuracy specifications apply only to the top 15 dB of the LEVEL vernier range. | | |

Table 1-1. Specifications (2 of 5)

| Electrical Characteristics | Performance Limits | Conditions |
|--|--|--|
| AMPLITUDE MODULATION² AM Depth AM Distortion (Total Harmonic Distortion) AM Rates Incidental FM Internal AM | 0 to 70% <10% at 40% depth and 1 kHz rate. dc to 10 kHz 50 Hz to 10 kHz <15 kHz peak-to-peak Fixed 1 kHz (nominal) square wave with a duty cycle of 50 ±5%. On-Off ratio > 50 dB at maximum power. | At 1 kHz rate with pulse off dc coupled 40% AM depth (3 dB bw) ac coupled 40% AM depth (3 dB bw) 30% AM depth |
| FREQUENCY MODULATION Peak Deviation FM Rates Incidental AM Internal FM Distortion | 5 MHz dc to 10 MHz 100 Hz to 10 MHz <6% Fixed 1 kHz (nominal) sawtooth with variable deviation up to the maximum specified deviation. A 1 kHz sawtooth signal with a nominal amplitude of 1V peak is available at the FM INPUT/OUTPUT connector. <5% | dc coupled (3 dB bw) ac coupled (3 dB bw) With <100 kHz rate and <1 MHz peak deviation With 100 kHz rate and <1 MHz peak deviation. |
| EXTERNAL PULSE INPUT REQUIREMENTS Rate | 0 to 1 MHz | See Table 1-2, Supplemental Characteristics |
| ² Amplitude modulation specifications are valid for pulse modulation OFF and for the LEVEL vernier range of 5 to 15 dB below the maximum vernier setting with output levels at least 5 dB below the specified maximum output power. | | |

Table 1-1. Specifications (3 of 5)

| Electrical Characteristics | Performance Limits | Conditions |
|--|---|--|
| EXTERNAL PULSE INPUT REQUIREMENTS (cont'd) Width On Level Off Level | >100 ns >1.0V <0.4V | dc coupled dc coupled |
| RF PULSE OUTPUT Rise and Fall Time Minimum Pulse Width Video Feedthrough Maximum Pulse Rate Maximum Delay Time (Time between Pulse INPUT and VIDEO OUT pulses) Pulse Width Compression Minimum Duty Cycle Peak Pulse Power On-Off Ratio | <10 ns <100 ns 25 mV peak 1 MHz <100 ns <50 ns 0.01% Within ± 0.5 dB of level set in CW mode >80 dB | At maximum specified power Output may be unlevelled below 0.01% For top 10 dB of LEVEL vernier range At maximum leveled power |
| INTERNAL PULSE GENERATOR Pulse Rate Pulse Delay (Time between SYNC OUT and VIDEO OUT pulses) Pulse Width Calibration Accuracy (Pulse Rate, Pulse Delay, and Pulse Width) | 10 Hz to 1 MHz in five ranges with continuous adjustment within ranges. <50 ns to 100 ms in seven ranges with continuous adjustment within ranges. <100 ns to 100 ms in seven ranges with continuous adjustment within ranges. 20% of full scale | The range below 100 ns is not calibrated. The pulse delay must be $\leq 90\%$ of pulse period. |

Table 1-1. Specifications (4 of 5)

| Electrical Characteristics | Performance Limits | Conditions |
|--|--|--|
| GENERAL | | |
| Operating Temperature Range | 0°C to 55°C | |
| Power Requirements Line Voltage | 100, 120, 220 or 240 Vac, +5%, -10% | |
| Line Frequency | 48 to 66 Hz | All specified line voltages may be used |
| | Option 003 adds 48 to 440 Hz operation | Limited to line voltages of 100 or 120 Vac when line frequency is >66 Hz |
| Power Dissipation | <200 VA | |
| Conducted and Radiated Interference | MIL-STD-461B | Conducted and radiated interference is within the requirements of CE03, CS01, CS02, CS06, RE02, RS01, and RS03 of MIL- STD-461B. Also within the requirements of VDE 0871 and CISPR Publication 11. |
| Operating and Non-operating Environment | Exceeds MIL-T-28800C Class V requirements for temperature, humidity, shock, and vibration. | |
| Safety | Meets requirements of IEC 348 | |
| Net Weight | 16.0 kg (35 lb) | |

Table 1-1. Specifications (5 of 5)

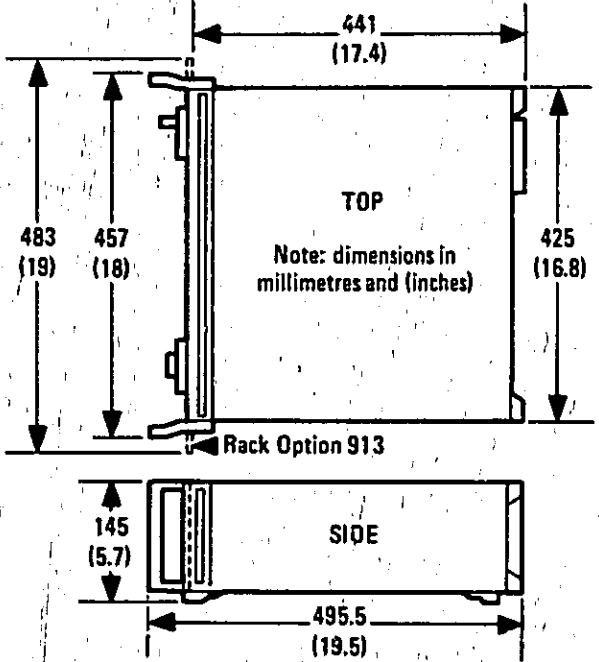
| Electrical Characteristics | Performance Limits | Conditions |
|--|--|--|
| <p>GENERAL (cont'd) Dimensions: Full envelope Height x Width x Depth</p> | <p>145 H x 457 W x 495.5 mm D (5.75 H x 18 W x 19.5 inches D)</p>  <p>Note: dimensions in millimetres and (inches)</p> | <p>Note: For ordering cabinet accessories, the module sizes are 5 1/4 H, 1 MW, and 17 D.</p> |

Table 1-2. Supplemental Characteristics (1 of 2)

Supplemental characteristics are intended to provide information useful in applying the instrument by giving typical, but non-warranted performance parameters.

FREQUENCY

Frequency Stability: As a function of time, frequency stability is <30 kHz/minute 20 minutes after turn-on and <100 kHz/hour 60 minutes after turn-on (at a constant ambient temperature). Typically, frequency drift with respect to any passive load change is <10 kHz. The drift with respect to changes of 10 dB on the LEVEL vernier is <20 kHz, and the drift with respect to mode changes (CW to FM or FM to CW) is <25 kHz. Stability as a function of temperature is <30 MHz change over the range of 0°C to 55°C, and stability as a function of line voltage is <20 ppm for transient line changes from +5% to -10%.

Tuning is accomplished via a rotary tuning control requiring approximately 20 turns to cover the full band in the normal tuning mode and approximately 200 turns to cover the full band in the fine-tuning mode. The tuning range extends approximately 200 MHz above and 50 MHz below the specified frequency range.

SPECTRAL PURITY

SSB Broadband Noise Floor: At maximum specified output level, the noise floor is <-145 dBc.

Residual AM (averaged rms): <0.1% in a 300 Hz to 15 kHz post-detection bandwidth.

SSB Phase Noise (averaged rms): <-65 dBc in a 1 Hz bandwidth offset 10 kHz from the carrier.



RF OUTPUT

Reverse power must not exceed 1 watt average nor 100 watts peak. Pulse energy (pulse power x pulse width) must not exceed 1 mW- μ s.

Reverse power with Option 002 must not exceed 2 kW peak, 10W continuous or 5 kW- μ s pulse.

Typically, the output impedance is 50 ohms and the SWR is <2.5 for levels >-10 dBm, otherwise the SWR is <2.0.

Auxiliary Output: The signal at the rear-panel Type-N connector is typically >-15 dBm into 50 ohms; it is derived from the oscillator output before reaching the amplitude modulation or pulse modulation circuits. Therefore, the auxiliary output signal may be a CW signal or may include frequency

modulation, but it cannot be amplitude modulated or pulse modulated. The source impedance is approximately 50 ohms.

RF Power Level Display: The output level may be displayed in dBm or dB REL (relative to a user selected reference level). A CABLE OFFSET feature permits automatic correction of the power level so that the indicated level represents the level at the end of a known length of RG-214 cable.

AMPLITUDE MODULATION

External AM Sensitivity: Variable, and nominally is 100% AM per volt peak into 600 ohms with AM vernier at full cw position.

AM Display Accuracy: $\pm 5\%$ of full scale for depths up to 50% at a 1 kHz rate. The OVERMOD indicator may turn on in the top 5 dB of the specified LEVEL vernier range.

Maximum Allowable Input Level: ± 5 V peak.

FREQUENCY MODULATION

External FM Sensitivity: On both the 1 MHz/V and 10 MHz/V ranges, peak deviation (with FM vernier fully cw) is approximately 100% of selected range per volt peak. Nominal input impedance is 50 Ω . FM sensitivity is lower at the low end of the frequency range; in the 1 MHz/V range, it typically is about 600 kHz/V.

Phase Lock Input: Rear-panel BNC connector with a typical sensitivity of -5 MHz/V. The input impedance is nominally 1 k Ω . The phase lock input sensitivity is lower at the low end of the frequency range.

FM Display Accuracy (10 MHz/V range): $\pm 10\%$ of full scale for deviations up to 5 MHz at a 100 kHz rate.

Maximum Allowable Input Level: 5V peak.

PULSE MODULATION

The SYNC OUT signal provides a >1V peak positive pulse into 50 Ω . The nominal width is 20 ns.

The VIDEO OUT signal provides a >3V peak positive replica of the selected RF pulse.

Table 1-2. Supplemental Characteristics (2 of 2)

PULSE MODULATION (cont'd)

The EXT TRIG mode permits the pulse rate to be determined by an external source, while pulse delay and pulse width are determined by the Signal Generator DELAY and WIDTH controls. The external signal must be a positive-going signal of $>1.0V$, and it must have a width of >20 ns. Nominal input impedance is 50Ω .

A pulse UNCAL annunciator warns the operator if an improper combination of RATE, DELAY, and/or WIDTH control settings has been selected. When the pulse delay is between 90% and 100% of the pulse period, the UNCAL annunciator may not indicate an uncalibrated condition. A capacitive load (long cable length without a proper termination) on the SYNC OUT or VIDEO OUT connectors may cause an erroneous UNCAL indication. To prevent this condition, be sure the cable is terminated with a 50Ω load.

Ringings and overshoot are $<10\%$ after a 10 ns rise time.

The input is TTL compatible.

SIMULTANEOUS MODULATION

During simultaneous Pulse Modulation and Amplitude Modulation, the 3 dB AM bandwidth for 40% AM depth can be approximated by $BW = 100$ times pulse duty cycle (in Hz).

OVERMODULATION INDICATOR

The OVERMOD indicator lights and the MODULATION display shows 99.9 when external AM inputs cause more than 99.8% AM, when FM causes more than approximately 6 MHz deviation, or when any dc superimposed on the external FM signal results in positive or negative peak input amplitudes in excess of 1.2V. The AM and FM vernier controls may be

pulled out to provide ac coupling and remove unwanted dc offsets from the INPUT signal.

RECORDER OUTPUTS

Two rear-panel BNC connectors provide analog output voltages suitable for driving X-Y recorders or strip chart recorders. One output provides a 0 to 10V FREQUENCY signal representing the specified tuning range, and the other output provides a RELATIVE VERNIER LEVEL signal representing the 0 to 25 dB range of the LEVEL vernier.

SERVICE MODES

An internally selected diagnostic service mode provides a series of microprocessor controlled test routines that will rapidly measure and display power supply voltages and various analog voltages. These routines will also verify normal operation of most of the digital circuitry involved. Many of these same tests are automatically performed when power is applied to the instrument, and diagnostic codes are displayed to indicate the nature of any malfunction detected.

A second service mode permits the use of a signature analyzer when troubleshooting the microprocessor and its associated circuitry.

An edge connector providing RS-232 type signals is available for connecting the instrument to an HP 2600 series terminal. With this arrangement, a single diagnostic routine simultaneously displays the voltages measured at 28 different points in the instrument. Any voltage that is out of tolerance is identified by underlining or by inverse video on the terminal display. Another routine displays the actual voltage transitions measured at the outputs of 32 flip-flops so an inoperative flip-flop can easily be identified.

Table 1-3. Recommended Test Equipment (1 of 2)

| Instrument | Critical Specification | Recommended Model | Use ¹ |
|------------------------------|---|--|------------------|
| 50 MHz Reference Attenuator | Attenuation: 30 dB Accuracy: 30 dB \pm 0.05 dB at 50 MHz | 11708A (Supplied with HP 8484A Power Sensor) | P, A, T |
| 50 Ohm Feed-Thru Termination | Accuracy: \pm 1% | HP 10100C | P, T |
| 70 MHz Modulator/Demodulator | Distortion: <1% Must be capable of demodulating 10 MHz FM rates at 50 MHz deviation on a 70 MHz carrier. | HP 3717A | P |
| Amplifier | Gain: 20 dB at 20 kHz | HP 6827A | P |
| Audio Analyzer | Internal Distortion: <1% at 10 kHz Provides 100 kHz source and 100 kHz distortion measurement. Must be capable of measuring 11 mV rms. | HP 8903A | P, A, T |
| Digital Voltmeter | Range: 0 to 30 Vdc Resolution: 0.01 Volt | HP 3456A | P, A, T |
| Diode Detector | Video Bandwidth: >5 MHz Frequency Range: 5.4 to 12.5 GHz | HP 8470B Opt. 012 | P, A, T |
| Frequency Counter | Range: 5.4 GHz to 12.5 GHz | HP 5342A | P, A, T |
| Frequency Counter | Dual Channel, Differential Measurements | HP 5345A | P |
| Gain-Phase Meter | Frequency Range: 1 Hz to 13 MHz | HP 3575A Opt. 001 | A |
| Logic Probe | Suitable for TTL and CMOS testing | HP 545A | T |
| Mixer ² | Frequency Range: 5.4 GHz to 12.5 GHz | RHG DM1-18 | P, A, T |
| Modulation Analyzer | Frequency: 12.5 MHz Filters: 300 Hz high-pass and 15 kHz low-pass Residual AM <0.1%. Must be capable of FM measurement in presence of AM, must be capable of average and peak responding modulation measurements, and must provide demodulated AM and FM outputs. | HP 8901A | P, A, T |
| Oscilloscope | >200 MHz bandwidth | HP 1725A | P, A, T |
| Power Meter | Range: +10 dBm to -60 dBm Resolution: 0.1 dB Must be compatible with HP 8481A and HP 8484A Power Sensors. | HP 436A | P, T |

¹ P = Performance Tests; A = Adjustments; T = Troubleshooting
² RHG Electronics Laboratory, Inc., 161 East Industry Court, Deer Park, N.Y. 11729, Tel. (516) 242-1100, TWX 510-227-6083.

Table 1-3. Recommended Test Equipment (2 of 2)

| Instrument | Critical Specification | Recommended Model | Use ¹ |
|--|---|-------------------|------------------|
| Power Sensor | Range: +10 dBm to -30 dBm Frequency: 5.4 GHz to 12.5 GHz Must be compatible with HP 436A Power Meter. | HP 8481A | P, T |
| Power Sensor | Range: -30 dBm to -60 dBm Frequency: 5.4 GHz to 12.5 GHz Must be compatible with HP 436A Power Meter. | HP 8484A | P, T |
| Pulse Generator | Rise and Fall Time: < 10 ns Pulse Width: ≤ 100 ns PRF: 0 to 1 MHz Pulse Amplitude: 3V to 5V peak | HP 8013B | P, A, T |
| Signal Generator | Frequency Range: 5.4 GHz to 12.5 GHz Output Power: +10 dBm | HP 8684B | P |
| Signature Analyzer | Minimum Pulse Width of 10 ns Data Probe Input Impedance: 50 kΩ Start, Stop, and Clock Input Impedance: 50Ω | HP 5004A | T |
| Spectrum Analyzer (Low Frequency) | 20 kHz to 100 kHz measurement of -110 dBm signals. | HP 3580A | P, A, T |
| Spectrum Analyzer | Frequency Range: 5.4 GHz to 18.0 GHz Sensitivity: +10 dBm to -86 dBm Resolution: 100 kHz Zero scan capability at 0.2 ms/division Log and linear vertical scaling Video and free-run triggering | HP 8565A | P |
| Test Oscillator | Frequency Range: 50 Hz to 10 MHz Output: 1 volt into 50 ohms 1 volt into 600 ohms | HP 654A | P, A, T |
| ¹ P = Performance Tests; A = Adjustments; T = Troubleshooting | | | |

Table 1-4. Service Accessories

| Accessory ¹ | Specification | Suggested Model |
|--|--|---|
| Torque Wrench (SMA Connectors) | 5±0.3 inch-pounds | Utica Tool Co. ² "A" Series Preset Wrench, Model #CHA-5, 5±0.3 inch-pounds (requires 5/16-inch open-end wrench) |
| Open-End Wrench (SMA Connectors) | 5/16-inch | Utica Tool Co. ² Open End Standard, Model #OP102, 5/16-inch |
| Torque Wrench (SMC Connectors) | 4±0.3 inch-pounds | Utica Tool Co. ² "A" Series Preset Wrench, Model #CHA-5, 4'0.3 inch-pounds (requires 1/4-inch open-end wrench) |
| Open-End Wrench (SMC Connectors) | 1/4-inch | Utica Tool Co. ² Open End Standard, Model #OP82, 1/4-inch |
| Pliers (External Retaining Rings) | | Model #P-102X90 Industrial Retaining Ring Co., 57 Cordier Street, Irvington, N.J. 07111 |
| Extender Boards (Two Required) | 36 contacts (2 x 18) | HP 08684-60018 |
| Foam Pad | Conductive polyurethane foam, 12 x 12 x 0.25 inches | HP 4204-0094 |
| ¹ Refer to Section VIII, Service, for applications. ² Utica Tool Company, Inc., Orangeburg, SC 29115 or the nearest Utica Tool Company distributor. | | |

SECTION II INSTALLATION

2-1. INTRODUCTION

This section provides the information needed to install the Signal Generator. Included is information pertinent to the initial inspection, power requirements, line voltage and fuse selection, operating environment, instrument mounting, storage, and shipment.

2-2. INITIAL INSPECTION

WARNING

To avoid hazardous electrical shock, do not perform electrical tests when there are signs of shipping damage to any portion of the outer enclosure (covers and panels).

Inspect the shipping container for damage. If the shipping container or cushioning material is damaged, it should be kept until the contents of the shipment have been checked for completeness and the instrument has been checked mechanically and electrically. The procedures for checking electrical performance are given in Section IV, Performance Tests. If the contents are incomplete, if there is a mechanical defect, or if the instrument does not pass the performance tests, notify the nearest Hewlett-Packard office. If the shipping container is damaged or the cushioning material shows signs of stress, notify the carrier and the Hewlett-Packard office. Keep the shipping material for the carrier's inspection.

2-3. PREPARATION FOR USE

2-4. Power Requirements

WARNING

To avoid the possibility of hazardous electrical shock, do not operate this instrument at line voltages greater than 126.5 Vac with line frequencies greater than 66 Hz. Leakage currents at these settings may exceed 3.5 mA.

The Signal Generator requires a power source of 115 (90 to 126) Vac or 230 (198 to 252) Vac, 48 to 66 Hz, single phase. Signal Generators with Option

003 have the additional capability of operating with line frequencies of 48 to 440 Hz. However, operation at line frequencies >66 Hz is limited to a nominal line voltage of 100 or 120 Vac. The power consumption of both versions is <200 VA.

WARNINGS

This is a Safety Class I product (i.e., provided with a protective earth terminal). An uninterruptible safety earth ground must be provided from the Mains power source to the product input wiring terminals, power cord, or supplied power cord set. Whenever it is likely that the protection has been impaired, the instrument must be made inoperative, and secured against any unintended operation.

If the instrument is to be energized via an external autotransformer (for voltage reduction), make sure the common terminal is connected to neutral (that is, the grounded side of the mains supply).

2-5. Line Voltage and Fuse Selection



CAUTION

Before plugging this instrument into the Mains (line) voltage, be sure that the correct operating voltage and fuse have been selected.

A rear-panel line-power module permits operation from 90 to 126 Vac sources or from 198 to 252 Vac sources. The number visible in the window on the module indicates the nominal line voltage (100, 120, 220 or 240 Vac) to which the instrument must be connected. Verify that the line voltage selection card and the fuse are matched to the power source to be used. Refer to Figure 2-1, Line Voltage and Fuse Selection. Table 2-1 lists the ratings and HP part numbers for the replaceable fuses.

WARNING

For protection against fire hazards, the line fuse should be a 250V normal-blow fuse with the correct current rating.

Operating voltage is shown in module window.

SELECTION OF OPERATING VOLTAGE

1. Open cover door, pull the FUSE PULL lever and rotate to left. Remove the fuse.
2. Remove the Line Voltage Selection Card. Position the card so the line voltage appears at top-left corner. Push the card firmly into the slot.
3. Rotate the FUSE PULL lever to its normal position. Insert a fuse of the correct value in the holder. Close the cover door.

WARNING

Do not operate this instrument with frequencies greater than 66 Hz. Line frequencies greater than 66 Hz with line voltages greater than 126.5 Vac will cause a potential shock hazard that could result in personal injury (leakage current at these settings may exceed 3.5 mA). In addition, damage to the instrument may result.

Figure 2-1. Line Voltage and Fuse Selection

Table 2-1. Fuse Ratings and Part Numbers

| Line Voltage | Rating | Part Number |
|--------------|------------|-------------|
| 100/120V | 3A, 250V | 2110-0003 |
| 220/240V | 1.5A, 250V | 2110-0043 |

2-6. Power Cable

WARNING

Before connecting this instrument, the protective earth terminal of the instrument must be connected to the protective conductor of the (Mains) power cord. The Mains plug shall be inserted only in a socket outlet provided with a protective earth contact. The protective action must not be negated by the use of an

extension cord (power cable) without a protective conductor (grounding). Grounding one conductor of a two conductor outlet is not sufficient protection.

This instrument is equipped with a three-wire power cable. When connected to an appropriate ac power receptacle, this cable grounds the instrument cabinet. The type of power cable plug shipped with each instrument is determined by the country of destination. Refer to Figure 2-2 for the part numbers of the power cables and plugs available.

2-7. Mating Connectors

Coaxial Connectors. The front-panel RF OUTPUT connector and the rear-panel AUXILIARY OUTPUT connectors require 50-ohm Type N male mating connectors. All other input and output signal connectors require 50-ohm BNC male mating connectors. Both types must be compatible with the specifications of US MIL-C-39012.

2-8. Operating Environment

The operating environment should be within the following limitations:

- Temperature 0 to +55°C
- Humidity 40°C at <95% relative
- Altitude <4570 metres (15 000 feet)

2-9. Bench Operation

The instrument cabinet has plastic feet and fold-away tilt stands for convenience in bench operation. The plastic feet are designed to ensure proper stacking with other instruments in similar housings, and the tilt stands raise the front of the Signal Generator for easier viewing of the front panel.

2-10. Rack Mounting

WARNING

The Signal Generator weighs 16.0 kg (35 lbs); therefore, care must be exercised when lifting to avoid personal injury. Use equipment slides when rack mounting.

Rack mounting information is provided with the rack mounting kits. If a kit was not ordered as an option with the Signal Generator, it may be purchased through the nearest Hewlett-Packard office. Refer to OPTIONS in Section I for the part number.


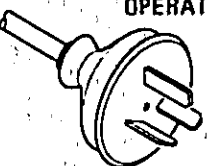
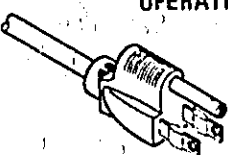
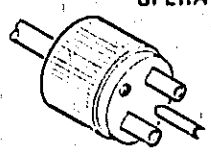
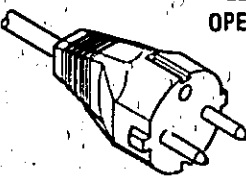
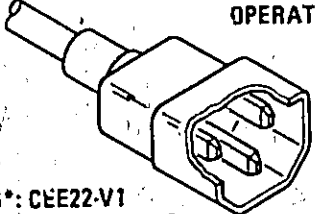
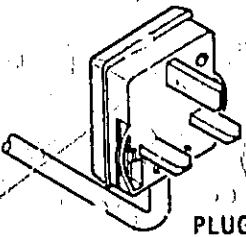
| | | | |
|--|---|--|---|
| <p>220/240V OPERATION</p>  <p>PLUG*: SEV 1011.1959-24507 TYPE 12 CABLE*: HP 8120-2104</p> | <p>220/240V OPERATION</p>  <p>PLUG*: NZSS 198/AS C112 CABLE*: HP 8120-1369</p> | <p>100/120V OPERATION</p>  <p>PLUG*: NEMA 5-15P CABLE*: 8120-1378</p> | <p>220/240V OPERATION</p>  <p>PLUG*: NEMA 6-15P CABLE*: HP 8120-0698</p> |
| <p>220/240V OPERATION</p>  <p>PLUG*: CEE7-VII CABLE*: HP 8120-1689</p> | <p>220/240V OPERATION</p>  <p>PLUG*: CEE22-V1 CABLE*: HP 8120-1860</p> | <p>220/240V OPERATION</p>  <p>PLUG*: BS 1363A CABLE: HP 8120-1351</p> | |
| <p>*The number shown for the plug is the industry identifier for the plug only. The number shown for the cable is an HP part number for a complete cable including the plug.</p> | | | |

Figure 2-2. Power Cable and Plug Part Numbers

2-11. STORAGE AND SHIPMENT

2-12. Environment

The instrument should be stored in a clean, dry environment. The following environmental limitations apply to both storage and shipment.

- Temperature -62°C to +85°C
- Humidity 40° C at <95% relative
- Altitude <15 300 metres (50 000 feet)

2-13. Packaging

Original Packaging. Containers and material identical to those used in factory packaging are available through Hewlett-Packard offices. If the instrument is being returned to Hewlett-Packard for servicing, please complete one of the blue repair tags located at the end of this manual and attach it to the instrument. Be sure to include the type of service required, return address, model number, and full serial number. Mark the container **FRAGILE** to assure careful handling. In any correspondence concerning a Hewlett-Packard instrument, refer to the instrument by model number and include the full serial number.

Other Packaging. The following general instructions should be followed for repackaging with commercially available packaging materials.

- a. Complete one of the blue service tags located at the end of this manual and attach it to the instrument. Be sure to indicate the type of service required, return address, model number, and full serial number. Then wrap the instrument in heavy paper or plastic.
- b. Use a strong shipping container. A double-wall carton made of 2.4 MPa (350 psi) test material is adequate.
- c. Use enough shock absorbing material (75 to 100 mm or 3 to 4 inch layer) around bottom, top, and all sides to provide a firm cushion and to prevent movement within the container.
- d. Seal the shipping container securely.
- e. Mark the shipping container **FRAGILE** to assure careful handling.

OPERATION

SECTION III OPERATION

3-1. INTRODUCTION

This section provides operating instructions for the Hewlett-Packard 8684B Signal Generator. It summarizes the major operating characteristics, describes controls and indicators, and provides operator's checks. It also explains how to set the output frequency, output level, modulation type, and modulation level. The function of each input and output connector is described in detail.

3-2. Operating Characteristics

Table 3-1 briefly summarizes the major operating characteristics of the Signal Generator. This table is not intended to be an in-depth listing of all characteristics. For more detailed information, refer to Table 1-1, Specifications, and Table 1-2, Supplemental Characteristics. Figure 3-1 provides a simplified description of the front-panel features, and Figure 3-2 provides a more detailed description of the display and control features. Figure 3-3 describes the rear-panel features.

Table 3-1. Operating Characteristics

| | |
|--|--|
| <p>FREQUENCY Range: 5.4 GHz to 12.5 GHz Display Resolution: 10 MHz Calibration Accuracy: ≤ 9 GHz $\pm 1.25\%$ > 9 GHz $\pm 0.75\%$</p> | <p>FM Peak Deviation: 5 MHz Indicated Accuracy: (10 MHz/V range) $\pm 10\%$ of full scale for deviations up to 5 MHz at a 100 kHz rate Internal FM: 1 kHz sawtooth with variable deviation</p> |
| <p>AMPLITUDE Range: +10 dBm to -130 dBm (+9 dBm to -130 dBm with Option 002) Display Resolution: 0.1 dB Level Accuracy: ± 2.5 dB (from maximum power down to -110 dBm) (with Option 002: ± 3.0 dB) ± 3.5 dB (From < -110 dBm down to -120 dBm) (with Option 002: ± 4.0 dB) Level Flatness: ± 1.0 dB for power levels > -10 dBm</p> | <p>Pulse Internal: Adjustable rates of 10 Hz to 1 MHz, widths of < 100 ns to 100 ms, and delays of < 50 ns to 100 ms</p> <p>External Pulse Input Requirements Rate: 0 to 1 MHz Width: > 100 ns Input Levels: On > 1.0V Off < 0.4V</p> |
| <p>MODULATION AM Depth: 0 to 70% at a 1 kHz rate Rates (3 dB bandwidth): dc to 10 kHz Indicated Accuracy: $\pm 5\%$ of full scale for depths up to 50% at a 1 kHz rate Internal AM: Fixed 1 kHz square wave</p> | <p>Combined Modulation AM, FM, and pulse modulation may be combined with certain limitations. See Amplitude Modulation in Table 1-1.</p> |

SIMPLIFIED FRONT PANEL FEATURES

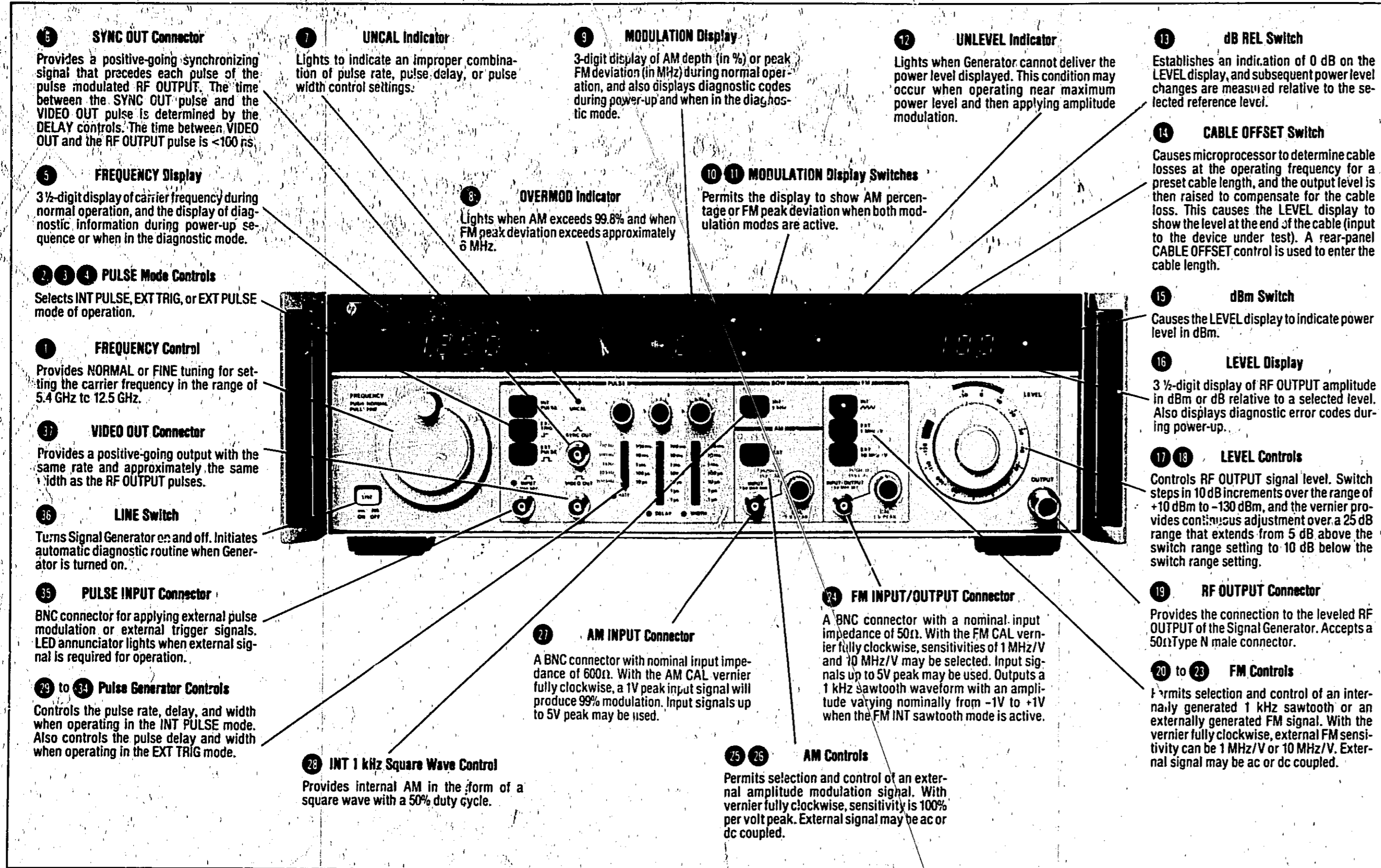


Figure 3-1. Simplified Front Panel Features

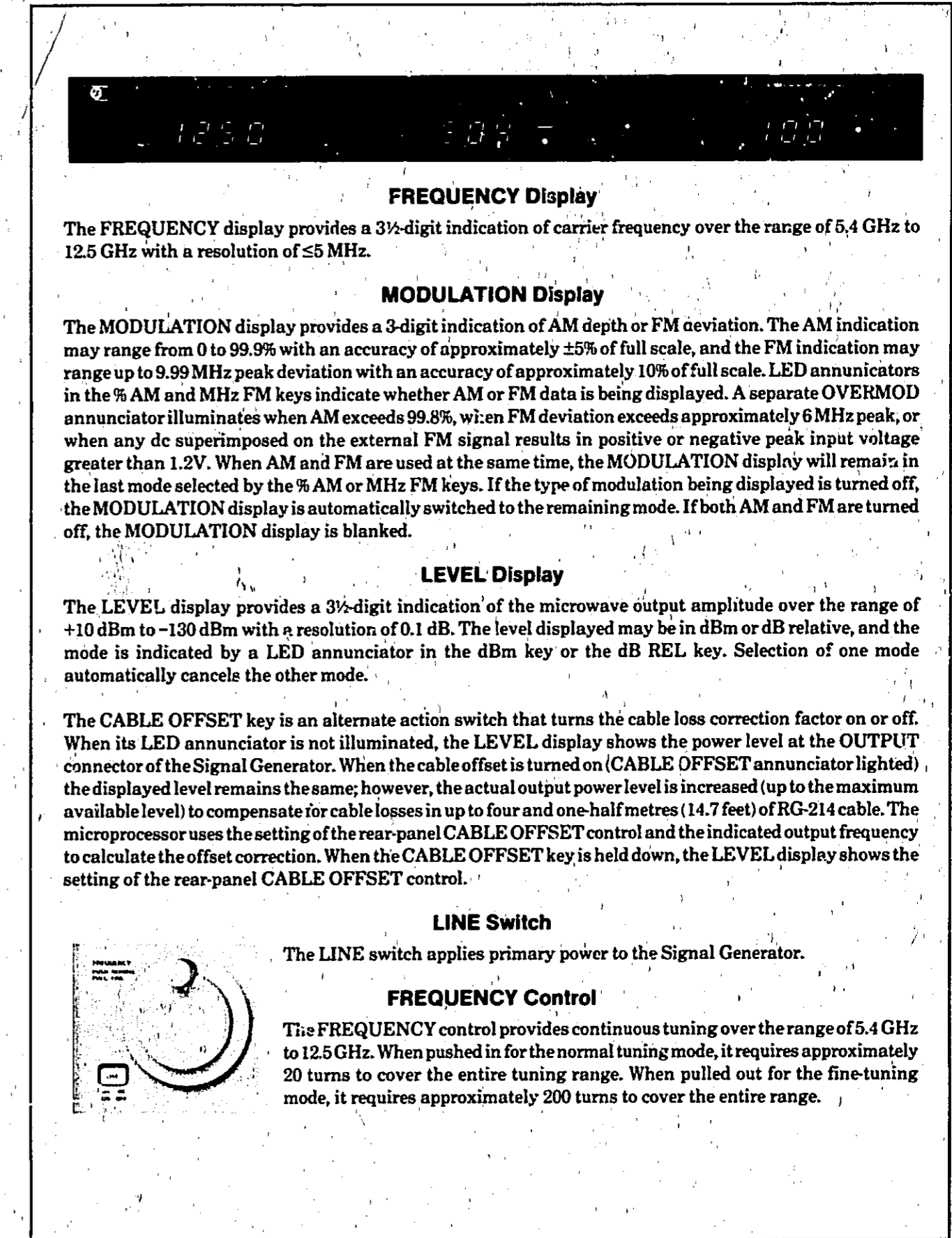


Figure 3-2. Display and Control Features (1 of 4)

PULSE Mode Controls

The pulse mode controls include the INT PULSE, EXT TRIG, and EXT PULSE keys. Each key has a LED annunciator that illuminates when that particular mode is in operation. The three modes are mutually exclusive; selection of one mode automatically cancels any previously selected mode. Pressing a lighted pulse mode control key turns off pulse modulation. Pulse modulation cannot be used in conjunction with the 1 kHz internal square wave.

When the INT PULSE mode is selected, the pulses are generated and controlled by the internal pulse generator. The RATE, DELAY, and WIDTH controls establish the pulse characteristics, and the RATE, DELAY, and WIDTH annunciators are illuminated to indicate that these controls are in operation. The UNCAL annunciator will light if an improper combination of rate, delay, and width is selected.

When the EXT TRIG mode is selected, the internal rate generator is disabled and the pulse rate is determined by the external trigger. The DELAY and WIDTH controls will still be in operation as indicated by their annunciators. The RATE annunciator will be off, and the INPUT annunciator will be on to indicate that an external signal is required. The UNCAL annunciator will light if the DELAY or WIDTH control settings are not compatible with the external trigger rate.

When the EXT PULSE mode is selected, the RATE, DELAY, and WIDTH controls are disabled and their annunciators will be off. The pulse rate and pulse width will be determined by the rate and width of the pulses applied to the INPUT connector. The INPUT annunciator will be on to indicate that an external pulse is required. The UNCAL indicator does not operate when in the EXT PULSE mode because the detection circuitry has no way of monitoring control settings on an external source.

Int 1 kHz Square Wave Control

Selection of the INT 1 kHz mode provides internally generated amplitude modulation in the form of a square wave with a 50% duty cycle and an on/off ratio of >80 dB. The 1 kHz internal square wave cannot be used in conjunction with any of the pulse modulation modes.

PULSE INPUT Connector

The PULSE INPUT connector is used in the EXT TRIG mode to connect an external trigger signal and in the EXT PULSE mode to connect an external modulating pulse to the Signal Generator. When either mode is selected, the adjoining LED annunciator lights to indicate that an external signal is required for pulse modulation. The input impedance is 50 ohms, and the maximum input level is 5V peak.

Figure 3-2. Display and Control Features (2 of 4)

SYNC OUT Connector

The SYNC OUT connector provides a >1 volt peak positive synchronizing pulse (into 50 ohms). The DELAY controls determine the delay between the SYNC OUT pulse and the VIDEO OUT pulse. The SYNC OUT pulse is approximately 20 ns wide.

VIDEO OUT Connector

The VIDEO OUT connector provides a >3 volt peak positive pulsed signal (into 50 ohms). It has the same rate and approximately the same width as the RF OUTPUT pulse. The RF OUTPUT pulse occurs <100 ns after the VIDEO OUT pulse, and the pulse width compression (width of the VIDEO OUT pulse minus the width of the RF OUTPUT pulse) is <50 ns.

Pulse Generator Controls

The pulse generator controls provide a range switch, a vernier control, and an annunciator associated with each of the three basic functions of rate, delay, and width. The RATE switch permits selection of five ranges (10 Hz to 100 kHz in decade steps), and the vernier control provides continuous adjustment over a range that extends from one to ten times setting. This provides an overall pulse rate range of 10 Hz to 1 MHz. The RATE annunciator is illuminated only when the INT PULSE mode is selected. In all other modes, pulse rate is determined by external sources.

The DELAY switch permits selection of seven ranges (0.1 μ s to 100 ms in decade steps), and the vernier control provides continuous adjustment over a range that extends from one-tenth the value of the switch setting to the value of the switch setting. This provides an overall pulse delay range of <50 ns to 100 ms. The DELAY annunciator is illuminated when the INT PULSE or EXT TRIG mode is selected, and is off when the EXT PULSE mode is selected.

The WIDTH switch permits selection of seven ranges (0.1 μ s to 100 ms in decade steps), and the vernier control provides continuous adjustment over a range that extends from one-tenth the value of the switch setting to the value of the switch setting. This provides an overall pulse width range of <100 ns to 100 ms. The WIDTH annunciator is illuminated when the INT PULSE or EXT TRIG mode is selected, and is off when the EXT PULSE mode is selected.

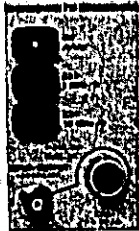
Any one of the pulse modulation modes may be combined with frequency modulation and externally supplied amplitude modulation.

AM Controls

AM controls are provided for the selection and control of an external modulating signal. With the AM vernier control set fully clockwise, the AM sensitivity is nominally 100% per volt peak at the AM INPUT connector. The vernier permits reduction of the amplitude modulation down to $<1\%$. The AM EXT annunciator will light when the external AM mode is selected. When the vernier control knob is pushed in, the external modulating signal is dc coupled; when the knob is pulled out, the signal is ac coupled. The input impedance is 600 ohms. Amplitude modulation may be combined with pulse modulation and frequency modulation.

Figure 3-2. Display and Control Features (3 of 4)

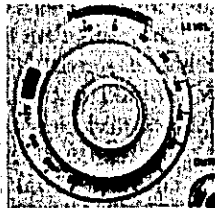
FM Controls



FM controls are provided for the selection of an internal 1 kHz sawtooth, and selection of external FM with a deviation sensitivity of 1 MHz/V or 10 MHz/V. An annunciator in each key lights to indicate which mode has been selected. Since the three modes are mutually exclusive, the selection of one mode will automatically cancel any previously selected mode. Actuation of an FM control key with a lighted annunciator will turn off all frequency modulation. When the vernier control knob is pushed in, the external modulation signal is dc coupled; when the knob is pulled out, the signal is ac coupled. The vernier permits deviation control from the maximum specified deviation down to less than 1 MHz. The input impedance is 50Ω. Frequency modulation may be combined with pulse modulation and/or amplitude modulation.

When operating in the FM INT sawtooth mode, the 1 kHz sawtooth that generates the frequency modulation is also available at the FM INPUT/OUTPUT connector. It has a rate of 1 kHz, and varies approximately from -1V to +1V. The FM vernier control has no effect on this signal. When using this sawtooth output, the external load impedance should be greater than 1 kΩ.

LEVEL Control



The RF output level of the Signal Generator is controlled by a step attenuator and a vernier control. The output level can be varied over the range of +10 dBm to -130 dBm with a resolution of 0.1 dB. The attenuator steps in increments of 10 dB while the vernier provides a 25 dB control range that extends from 5 dB above the selected range to 10 dB below the selected range. The gray area above the LEVEL switch indicates the vernier range available for each switch setting.

UNLEVEL Indicator



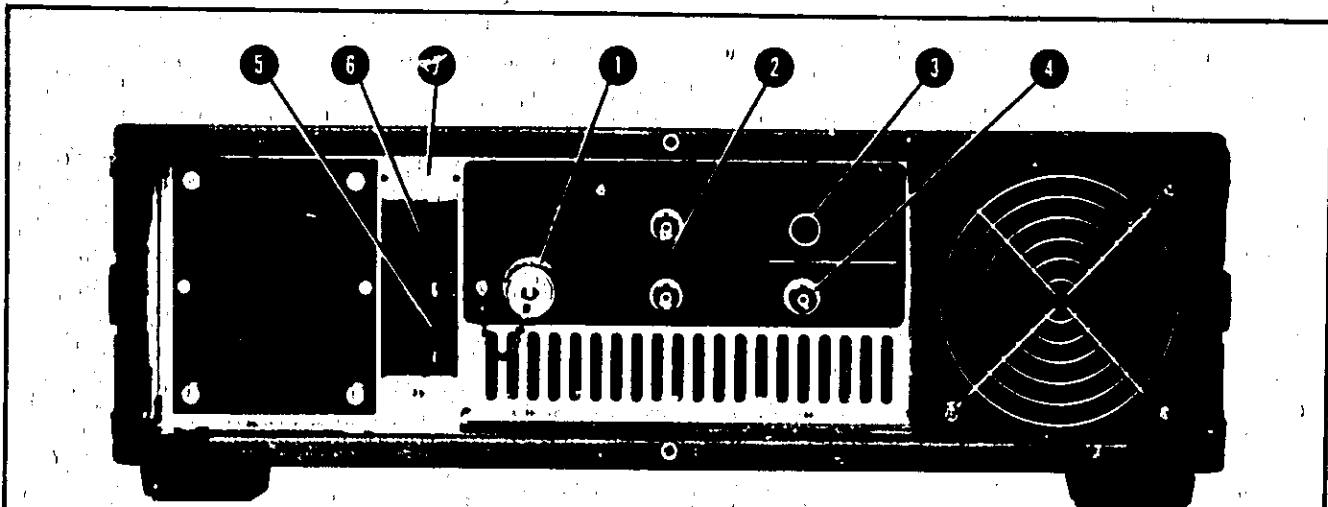
The UNLEVEL indicator lights when the Signal Generator cannot deliver power equal to the level displayed. This condition may occur when operating near the maximum power level and then applying amplitude modulation or applying a cable offset correction.

OUTPUT Connector



The front-panel RF OUTPUT connector is the primary microwave output connector. It provides some degree of reverse power protection (refer to Table 1-2, Supplemental Characteristics). The RF OUTPUT connector accepts 50Ω Type N male connectors.

Figure 3-2. Display and Control Features (4 of 4)



1 AUXILIARY OUTPUT Connector

The AUXILIARY OUTPUT connector provides an unlevelled sample of the oscillator output signal that is typically >-15 dBm into 50 Ohms. This sample is derived from the oscillator output prior to the amplitude modulation and pulse modulation circuits, so AM and pulse modulation are not available in the signal. It will contain any FM component in the oscillator output. The rear-panel AUXILIARY OUTPUT connector accepts a male Type N connector. The protective cap must be installed when the AUXILIARY OUTPUT is not in use; without the cap, RF leakage might produce erroneous results when testing at low signal levels.

CAUTION

Never apply reverse power to the AUXILIARY OUTPUT connector. There is no reverse power protection at this point, and reverse power may destroy the microwave amplifier and the oscillator.

2 OUTPUT TO RECORDER Connectors

The recorder outputs include the RELATIVE VERNIER LEVEL output and the FREQUENCY output. The RELATIVE VERNIER LEVEL output provides an analog signal of 0V to 10V scaled at 2.5 dB/V to represent the 0 dB to 25 dB attenuation range of the front-panel LEVEL vernier control. The FREQUENCY output provides an analog signal of 0V to 10V that represents the specified frequency range. Loads connected to the recorder outputs should have an impedance greater than 1 M Ω .

3 CABLE OFFSET Control

The CABLE OFFSET control provides a cable loss correction for up to 4.5 metres (14.7 feet) of RG-214

coaxial cable. When the CABLE OFFSET mode is selected by the front-panel control, the microprocessor applies a correction to the leveled output power and the display shows the power level at the end of the cable (input to device under test). The correction factor is based upon the predicted cable losses at the selected output frequency.

4 PHASE LOCK INPUT Connector

The PHASE LOCK INPUT connector provides a control feature that may basically be considered an inverted FM control input. It has a sensitivity of -5 MHz/V, and the input level should not exceed ± 2 volts. When phase locking the Signal Generator output to an external signal, there are two input bandwidths available. Selecting either external FM mode provides a wide input bandwidth. Turning off all FM provides a narrow input bandwidth.

5 Fuse

3A, 250V, Normal-Blow for 100/120V ac operation, or 1.5A, 250V Normal-Blow for 220/240V operation. Ordering information is presented in Section II Installation.

6 Line Power Module

Permits operation from 100, 120, 220, or 240 Vac. The number visible in the window indicates the nominal line voltage to which the instrument must be connected (see Figure 2-1). The center conductor is the safety earth ground.

7 Serial Number Plate

The first four digits and a letter constitute the prefix which defines the instrument configuration. The last five digits form a sequential suffix that is unique for each instrument. The plate also identifies any options supplied with the instrument.

Figure 3-3. Rear Panel Features

3-3. OPERATOR'S CHECKS

NOTE

If the instrument does not operate properly and is being returned to Hewlett-Packard for service, please complete one of the blue repair tags located at the end of this manual and attach it to the instrument.



Upon receipt of the instrument, or to check the Signal Generator for an indication of normal operation, perform the following operational procedures. These procedures can also familiarize the operator with the Signal Generator and provide an understanding of the operating capabilities.

1. Press LINE switch and verify that FREQUENCY, MODULATION, and LEVEL displays are filled with minus signs, go blank, and then are filled with eights. Refer to Table 3-2 if any error codes appear on the displays. See Section VIII, Diagnostics, for an explanation of how to read multiple error displays.
2. Rotate FREQUENCY control and verify that the FREQUENCY display responds to the changes in frequency.
3. Rotate the LEVEL step switch through steps and verify that the LEVEL display moves in 10 dB steps.
4. Rotate the LEVEL vernier and verify that the LEVEL display responds to the changes in 0.1 dB increments.

Table 3-2. Power-up Error Codes

| Frequency Display | Modulation Display Test Numbers | Test | Power-up Error Code Numbers |
|-------------------|---------------------------------|--|-----------------------------|
| 5.25V | 00 | +5 Volt Power Supply | E50 |
| 6.20V | 01 | +6.2 Volt ALC Reference | E54 |
| 6.50V | 02 | +6.5 Volt microcircuit power supply | E55 |
| 15.00V | 03 | +15 Volt power supply | E51 |
| -15.00V | 04 | -15 Volt power supply | E52 |
| -30.00V | 05 | -30 Volt power supply | E53 |
| -30.00 to 11.00V | 06 | Oscillator Power Supply-High Band | E57 |
| -30.00 to 11.00V | 07 | Oscillator Power Supply-Low Band | E56 |
| 0.00V | 10 | Detector Differential on A6 | E59 |
| 0.00V | 11 | Detector Amplifier on A6 | E58 |
| -9.00 to -0.5V | 12 | PIN Modulator Voltage A5TP4 | E61 |
| -0.1 to 5.00V | 13 | Multiplying DAC, ALC A7U5 Pin 8 | E60 |
| 5.12V | 16 | #1 Freq. potentiometer, lower 1/3 | E62 |
| 5.12V | 17 | #2 Freq. potentiometer, middle 1/3 | E63 |
| 5.12V | 18 | #3 Freq. potentiometer, upper 1/3 | E64 |
| 1. -- | 36 | 1. "--" means DAC is ok on bits 3-11 bits 0-2 not checked. | E10 |
| 2. e# | | 2. e# means this DAC bit is in error. If this error code is displayed all other error codes may be inaccurate. | |
| ---- | ---- | ROM checksum error | E01-E04 |
| ---- | ---- | Front Panel checks | E05-E08 |
| Table No. | ---- | Software can't find this software table | E09 |

OPERATOR'S CHECKS (cont'd)

5. Press FM INT  key and verify that its annunciator lights, the MODULATION display lights, and the MHz FM annunciator lights.
6. Rotate the FM vernier and verify that the MODULATION display responds to the changes in FM deviation. Rotate the FM vernier to the full clockwise position and verify that the OVERMOD annunciator lights.
7. Press AM EXT key and verify that its annunciator lights and that the MODULATION display changes from MHz FM to % AM.
8. Press AM EXT key and verify that its annunciator goes off.
9. Press FM INT  key and verify that its annunciator goes off.
10. Press INT PULSE key; verify that its annunciator lights and that the MODULATION display is blanked.
11. Verify that the RATE, DELAY, and WIDTH annunciators are lighted.
12. Press INT PULSE key; verify that its annunciator goes off, and that the RATE, DELAY, and WIDTH annunciators go off.
13. Press dB REL key; verify that its annunciator is lighted and that the LEVEL display shows 0.0.
14. Press dBm key; verify that its annunciator is lighted and that the dB REL key annunciator goes off.
15. Press and hold the CABLE OFFSET key; verify that its annunciator lights and that the LEVEL display shows a number in the range of 0.0 to 4.5 (this number is determined by the setting of the rear-panel CABLE OFFSET control).
16. Release CABLE OFFSET key and verify that the LEVEL display returns to the settings established by the LEVEL switch and LEVEL vernier.

3-4. OPERATING INSTRUCTIONS

Paragraphs 3-5 through 3-8 explain how to set the Signal Generator for the CW mode, AM mode, FM mode, and pulse mode. Two or three types of modulation may be combined when desired. The front

panel controls used to set the various modes of operation are shown in Figure 3-1.

NOTE

The presence of a power-up error code when the instrument is turned on may not be critical. For instance, an error code indicating a faulty FM peak detector would not be critical if the Generator is to be used in the CW, AM, or pulse mode. In situations of this type, the maintenance activities required to restore the instrument can be handled on a routine basis when time permits.

3-5. CW MODE OPERATION

- a. Press LINE switch (36) and verify that power-up diagnostics are completed without a critical error code display.
- b. Using the FREQUENCY control (1), set desired frequency on the FREQUENCY display (5).

NOTE

If higher frequency resolution is required, a frequency counter may be connected to the rear-panel AUXILIARY OUTPUT connector.

- c. Using the LEVEL switch (17) and LEVEL vernier (18), set desired power level on the LEVEL display (16).
- d. If the CABLE OFFSET feature is to be used, press and hold the CABLE OFFSET key (14) to display the CABLE OFFSET setting on the LEVEL display (16). If necessary, use rear-panel CABLE OFFSET control to establish correct setting.

3-6. AM MODE OPERATION

- a. Press LINE switch (36) and verify that power-up diagnostics are completed without a critical error code display.
- b. Using the FREQUENCY control (1), set desired frequency in the FREQUENCY display (5).

NOTE

If higher frequency resolution is required, a frequency counter may be connected to the rear-panel AUXILIARY OUTPUT connector.

AM MODE OPERATION (cont'd)

c. Using the LEVEL switch (17) and LEVEL vernier (18), set desired power level in the LEVEL display (16).

d. If the CABLE OFFSET feature is to be used, press and hold the CABLE OFFSET key (14) to display the CABLE OFFSET setting on the LEVEL display (16). If necessary, use rear-panel CABLE OFFSET control to establish correct setting.

NOTE

The EXT AM (external amplitude modulation) and CABLE OFFSET functions are mutually exclusive. The activation of either one will deactivate the other.†

e. For internal AM operation, press SQW INT 1 kHz key (28) and verify that its annunciator lights. This will provide a 1 kHz square wave with a nominal 50% duty cycle.

CAUTION

In the next step, the maximum allowable input level is 5V peak.

f. For external AM operation, press AM EXT key (25) and verify that its annunciator lights. Then connect external modulation source to AM INPUT connector (27), and adjust external source level and/or AM vernier (26) to display desired modulation level (% AM) on the MODULATION display (9). The OVERMOD indicator (8) lights when an AM level above 99.8% is selected.

NOTES

At RF output levels near the maximum specified power, the application of high levels of amplitude modulation may cause the UNLEVEL indicator (12) to light. This occurs when the RF amplifier cannot deliver the power required for the indicated level of modulation. Lowering the RF output level or the modulation level will cause the UNLEVEL indicator to go out.

External AM may be combined with FM and pulse modulation. The INT 1 kHz square wave may be combined with FM.

† Backdating Information, see Section VII.

3-7. FM MODE OPERATION

a. Press LINE switch (36) and verify that power-up diagnostics are completed without a critical error code display.

b. Using the FREQUENCY control (1), set desired frequency on the FREQUENCY display (5).

NOTE

If higher frequency resolution is required, a frequency counter may be connected to the rear-panel AUXILIARY OUTPUT connector.

c. Using the LEVEL switch (17) and LEVEL vernier (18), set desired power level on the LEVEL display (16).

d. If the CABLE OFFSET feature is to be used, press and hold the CABLE OFFSET key (14) to display the CABLE OFFSET setting on the LEVEL display (16). If necessary, use rear-panel CABLE OFFSET control to establish correct setting.

e. For internal FM operation, press FM INT key (20) and verify that its annunciator lights. This will provide a 1 kHz sawtooth output.

f. Set FM deviation by using FM vernier (23) to obtain the desired modulation level (MHz FM) on the MODULATION display (9).

CAUTION

In the next step, the maximum allowable input level is 5V peak.

g. For external FM operation, press FM EXT 1 MHz/V key (21) or FM EXT 10 MHz/V key (22) and verify that its annunciator lights. Then connect external FM source to the FM INPUT/OUTPUT connector (24), and adjust external source level and FM vernier (23) to display the desired modulation level (MHz FM) on the MODULATION display (9). The OVERMOD indicator (8) lights when a peak deviation of 6.1 MHz or higher is selected.

NOTE

FM may be combined with AM and/or pulse modulation.

3-8. PULSE MODE OPERATION

a. Press LINE switch (36) and verify that power-up diagnostics are completed without a critical error code display.

PULSE MODE OPERATION (cont'd)

- b. Using the **FREQUENCY** control (1), set desired frequency on the **FREQUENCY** display (5).

NOTE

*If higher frequency resolution is required, a frequency counter may be connected to the rear-panel **AUXILIARY OUTPUT** connector.*

- c. Using the **LEVEL** switch (17) and **LEVEL** vernier (18), set desired power level on the **LEVEL** display (16).

- d. If the **CABLE OFFSET** feature is to be used, press and hold the **CABLE OFFSET** key (14) to display the **CABLE OFFSET** setting on the **LEVEL** display (16). If necessary, use rear-panel **CABLE OFFSET** control to establish correct setting.

NOTE

After completing step d., skip to the internal pulse, external trigger, or external pulse mode as desired.

Internal Pulse Mode Operation

- e. Press **INT PULSE** key (2) and verify that its annunciator lights. The **RATE**, **DELAY**, and **WIDTH** annunciators will also light.

- f. Set **RATE** switch (32) and **RATE** vernier (29) to the desired pulse rate.

- g. Set **DELAY** switch (33) and **DELAY** vernier (30) to the desired pulse delay (time between **SYNC OUT** pulse and **VIDEO OUT** pulse).

- h. Set **WIDTH** switch (34) and **WIDTH** vernier (31) to the desired pulse width.

NOTES

*The **UNCAL** indicator (7) will light if an improper combination of **RATE**, **DELAY**, and **WIDTH** control settings is selected.*

*The internal pulse mode may be combined with **AM** and/or **FM**. It cannot be combined with the **INT 1 kHz** square wave.*

External Trigger Mode Operation

- i. Press **EXT TRIG** key (3) and verify that its annunciator lights. The **DELAY** and **WIDTH** annunciators will also light.

CAUTION

In the next step, the maximum allowable input level is 5V peak.

- j. Set external trigger source for a **TTL** compatible output (+5V peak) and connect it to the **PULSE INPUT** (35) connector.

- k. Set pulse rate on the external trigger source.

- l. Set **DELAY** switch (33) and **DELAY** vernier (30) to the desired pulse delay (time between **SYNC OUT** pulse and **VIDEO OUT** pulse).

- m. Set **WIDTH** switch (34) and **WIDTH** vernier (31) to the desired pulse width.

NOTES

*The **UNCAL** indicator (7) will light if the selected pulse delay or pulse width are not compatible with the externally generated pulse rate.*

*The external trigger mode may be combined with **AM** and/or **FM**. It cannot be combined with the **INT 1 kHz** square wave.*

External Pulse Mode Operation

- n. Press **EXT PULSE** key (4) and verify that its annunciator lights. The **RATE**, **DELAY**, and **WIDTH** annunciators will be off.

CAUTION

In the next step, the maximum allowable input level is 5V peak.

- o. Set external pulse source for a **TTL** compatible output level, and connect the source to the **PULSE INPUT** (35) connector.

- p. Set pulse rate and pulse width as required on the external pulse source.

NOTE

*The external pulse mode may be combined with **AM** and/or **FM**. It cannot be combined with the **INT 1 kHz** square wave.*

PERFORMANCE CHECK

SECTION IV PERFORMANCE TESTS

4-1. INTRODUCTION

The procedures in this section test the instrument's electrical performance using the specifications of Table 1-1 as the performance standards. All tests can be performed without access to the interior of the instrument. A simpler operational test is included in Section III under Operator's Checks.

NOTE

If the performance tests are to be considered valid, the following conditions must be met:

a. *The Signal Generator must have a 20-minute warm-up for all specifications.*

b. *The line voltage for all instruments except those with Option 003 must be 100, 120, 220, or 240 Vac +5%, -10%; the line frequency must be 48 to 66 Hz. Instruments with Option 003 have the additional capability of operating on line frequencies of 48 to 440 Hz, but the line voltage is limited to a nominal 100 or 120 Vac if the line frequency is >66 Hz.*

c. *The ambient temperature must be 0°C to 55°C.*

4-2. EQUIPMENT REQUIRED

Equipment required for the performance tests is listed in Table 1-3, Recommended Test Equipment. Any equipment that satisfies the critical specifications given in the table may be substituted.

4-3. PERFORMANCE TEST RECORD

Results of the performance test may be tabulated on Table 4-1, Performance Test Record. The Performance Test Record lists all of the performance test specifications and the acceptable limits for each specification. If performance test results are recorded during an incoming inspection of the instrument, they can be used for comparison during periodic maintenance or troubleshooting procedures. The test results may also prove useful in verifying proper operation after repairs are made.

4-4. CALIBRATION CYCLE

This instrument requires periodic verification of performance to ensure that it is operating within specified tolerances. The performance tests described in this section should be performed at least once each year; under conditions of heavy usage or severe operating environments, the tests should be more frequent. Adjustments that may be required are described in Section V, Adjustments.

4-5. ABBREVIATED PERFORMANCE TEST

The following abbreviated performance test procedure requires a frequency counter, power meter, power sensor, spectrum analyzer, and a test oscillator. Refer to Table 1-3, Recommended Test Equipment, for the suggested model numbers.

1. Connect a frequency counter to the OUTPUT connector of the Signal Generator, and tune the Generator to 5.400 GHz.
2. Set Signal Generator LEVEL control for an output power level of approximately -15 dBm and adjust counter triggering level if necessary. The counter should indicate a frequency between 5.333 GHz and 5.468 GHz.
3. Tune Generator to 9.000 GHz and verify that the counter indicates between 8.888 GHz and 9.113 GHz.
4. Tune Generator to 12.500 GHz and verify that the counter indicates between 12.406 GHz and 12.594 GHz.
5. Disconnect frequency counter and connect power sensor of the power meter to the OUTPUT connector of the Generator.
6. On the power meter, set the CAL FACTOR % control to the percentage indicated by the calibration chart on the power sensor. Then verify that the level indicated by the power meter is within ± 2.5 dB of that indicated by the LEVEL display on the Generator. If the measurement is out of tolerance, check power meter for proper CAL ADJ setting and zeroing and repeat measurement.
7. Set Signal Generator LEVEL to -5.0 dBm and verify that the power meter indicates within ± 2.5 dB of that level.

ABBREVIATED PERFORMANCE TEST (cont'd)

8. Momentarily press the dB (REF) switch on the power meter, and verify that the power meter indication goes to zero. Then tune the Generator from 12.500 GHz down to 5.400 GHz while observing output level flatness on the power meter. The total variation (highest to lowest power level) should be less than 2 dB. Be sure to change the CAL FACTOR % control on the power meter when necessary.

9. Disconnect power sensor and connect the spectrum analyzer to the OUTPUT connector of the Generator. Tune both the Generator and the analyzer to approximately 9.0 GHz. The exact frequency is not important.

10. Adjust spectrum analyzer controls to place the peak of the signal one division down from the top graticule line. Use a frequency span of 0.5 MHz/div., a bandwidth of 10 kHz, and a scan time of 20 ms/div.

11. On the Signal Generator, press the INT 1 kHz key and verify that its annunciator lights. Then verify that the spectrum analyzer shows a pulse spectrum with spectral components spaced 1 kHz apart.

12. Press the INT 1 kHz key again and verify that its annunciator goes off. Then press the FM INT \sim key and verify that its annunciator lights. The spectrum analyzer display should appear similar to the one shown in Figure 4-1.

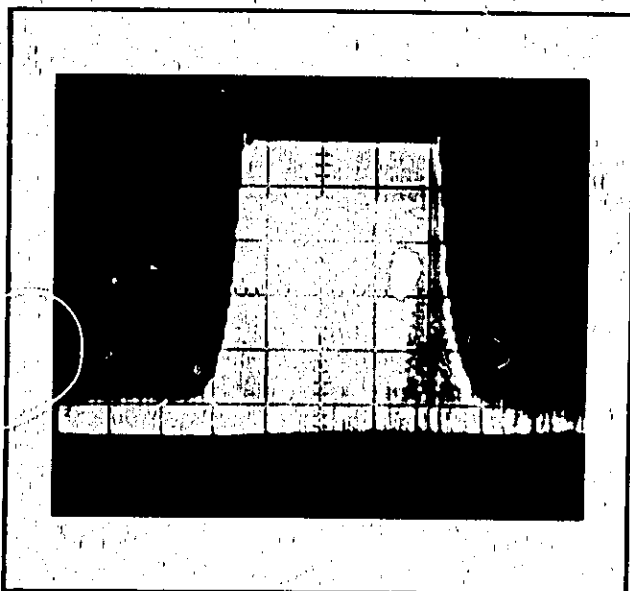


Figure 4-1. Sawtooth Spectrum

13. Press the FM INT \sim key again and verify that its annunciator goes off. Then step the LEVEL switch down in 10-dB increments to -120 dBm while watching the display on the spectrum analyzer. Verify that the steps are in fact 10 dB each. If the carrier signal cannot be seen all the way down to -120 dBm, check the steps down to the lowest level that is visible.

14. Return the LEVEL switch to 0 dBm and verify that the peak of the carrier signal is on the top line of the spectrum analyzer graticule. Then tune the spectrum analyzer to approximately 18 GHz and check the level of the second harmonic. It must be at least 25 dB below the carrier level.

15. Return spectrum analyzer to 9.000 GHz. Press the Signal Generator's INT PULSE key, and verify that the key annunciator is lighted. Set Signal Generator PULSE controls for a 100 kHz pulse rate and a 2 μ s pulse width. The spectrum analyzer display should have a pulse spectrum with the lines spaced by 100 kHz and with minima every 500 kHz. Press INT PULSE key and verify that its annunciator is off.

16. Press AM EXT key and verify that its annunciator is lighted. Then connect the 600 Ω output of the test oscillator to the AM INPUT connector and turn the AM vernier fully clockwise. Set test oscillator output frequency to 10 kHz and output level to 0.35 Vrms. Verify that the MODULATION display on the Signal Generator shows about 50 \pm 5% AM. The 10 kHz sidebands on the spectrum analyzer should be 12 dB below the carrier. Press AM EXT key and verify that its annunciator is off and that the AM sidebands disappear.

4-6. TEST PROCEDURES

It is assumed that the person performing the following tests understands how to operate the specified test equipment. Equipment settings, other than those for the Signal Generator, are stated in general terms. For example, a test might require that a spectrum analyzer's resolution bandwidth be set to 100 Hz; however, the time per division would not be specified and the operator would be expected to set that control and other controls as required to obtain an optimum display. It is also assumed that the technician will select the cables, adapters, and probes (listed in Table 1-3) required to complete the test setups illustrated in this section.

PERFORMANCE TESTS

4-7. FREQUENCY RANGE AND ACCURACY TESTS

Specification

| Electrical Characteristics | Performance Limits | Conditions |
|----------------------------|--|---|
| FREQUENCY Range | 5.4 GHz to 12.5 GHz | See Table 1-2, Supplemental Characteristics |
| Display Resolution | 10 MHz | Using 3-1/2-digit 7-segment display |
| Calibration Accuracy | $\leq 9 \text{ GHz} \pm 1.25\%$ $\leq 9 \text{ GHz} \pm 0.75\%$ | |

Description

A frequency counter is connected to the Signal Generator RF OUTPUT, and the tuning limits are checked at the lower and upper ends of the tuning range. Calibration accuracy is verified by comparing the frequency counter indication with the front-panel indication of the Signal Generator.

Equipment

Frequency Counter HP 5342A

Procedure

Frequency Range and Calibration Accuracy

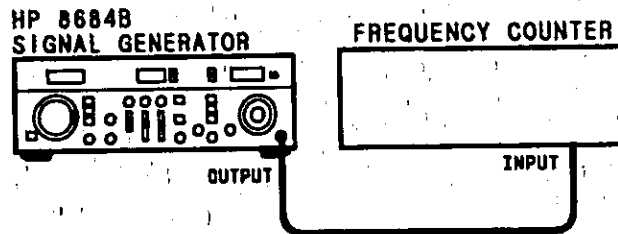


Figure 4-2. Frequency Range and Calibration Accuracy Test Setup

1. Set Signal Generator output level to approximately -15 dBm. The actual level is not critical as long as the counter triggers properly.
2. Connect frequency counter to RF OUTPUT connector of Signal Generator and check for proper triggering of counter. If necessary, adjust trigger level of counter or output level of Signal Generator.
3. Turn the Signal Generator FREQUENCY control counterclockwise until it reaches the mechanical stop, and record the minimum frequency attainable.

_____GHz

4. Set Signal Generator for an indication of 5.400 GHz on its front-panel indicator, and verify that the frequency counter indicates between 5.333 GHz and 5.468 GHz.

_____GHz

PERFORMANCE TESTS

FREQUENCY RANGE AND ACCURACY TESTS (cont'd)

**Procedure
(cont'd)**

- 5. Set Signal Generator for an indication of 7.200 GHz on its front-panel indicator, and verify that the frequency counter indicates between 7.110 GHz and 7.290 GHz.

_____GHz

- 6. Set Signal Generator for an indication of 9.000 GHz on its front-panel indicator, and verify that the frequency counter indicates between 8.888 GHz and 9.113 GHz.

_____GHz

- 7. Set Signal Generator for an indication of 10.80 GHz on its front-panel indicator, and verify that the frequency counter indicates between 10.719 GHz and 10.881 GHz.

_____GHz

- 8. Set Signal Generator for an indication of 12.50 GHz on its front-panel indicator, and verify that the frequency counter indicates between 12.406 GHz and 12.594 GHz.

_____GHz

- 9. Turn Signal Generator FREQUENCY control clockwise until it reaches the mechanical stop, and record the maximum frequency attainable.

_____GHz

- 10. If accuracy at other frequencies is critical for your applications, the Signal Generator may be checked at those frequencies. The specified accuracy at ≤ 9 GHz is $\pm 1.25\%$; at > 9 GHz the accuracy is $\pm 0.75\%$.

Indicated Freq. _____ GHz Measured Freq. _____ GHz

Indicated Freq. _____ GHz Measured Freq. _____ GHz

Indicated Freq. _____ GHz Measured Freq. _____ GHz

Indicated Freq. _____ GHz Measured Freq. _____ GHz

Indicated Freq. _____ GHz Measured Freq. _____ GHz

PERFORMANCE TESTS

4-8. SPECTRAL PURITY TESTS

Specification

| Electrical Characteristics | Performance Limits | Conditions |
|-------------------------------------|--------------------|--|
| SPECTRAL PURITY Harmonics | <-25 dBc | Up to 18 GHz at maximum specified power |
| Spurious Output | <-80 dBc | |
| Residual FM | <5 kHz peak | 50 Hz to 15 kHz post-detection bandwidth |

Description

A spectrum analyzer with a tracking filter is connected to the output of the Signal Generator, and the analyzer is tuned to the fundamental frequency and adjusted to establish a convenient reference level on the display. The analyzer is then tuned to the second harmonic to check its levels in relation to the fundamental. If a particular harmonic is slightly out of specification, the Signal Generator is tuned to that frequency to establish a new reference at that frequency and thus improve the accuracy of the measurement.

To search for non-harmonic spurious output signals, the spectrum analyzer is tuned to the frequencies of possible spurious signals. If spurious output signals are found, they will be caused by the 30 MHz reference source used in the automatic level control circuits or the 1 MHz clock used for the microprocessor. They will be found 30 MHz or 1 MHz away from the fundamental.

Residual FM is measured by mixing the output of the Signal Generator with the output of another generator with equal or better residual FM; the result is measured on the modulation analyzer.

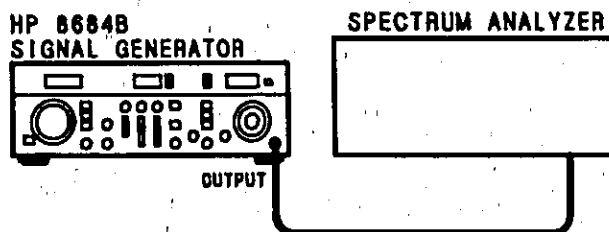


Figure 4-3. Spectral Purity Test Setup

Equipment

- Spectrum Analyzer HP 8565A
- Spectrum Analyzer (Low Frequency) HP 3580A
- Signal Generator HP 8684A or 8684B
- Modulation Analyzer HP 8901A
- Frequency Counter HP 5342A
- Audio Analyzer HP 8903A
- Test Oscillator HP 654B
- Mixer RHG DM 1-18

Procedure

Harmonics Test

1. Set Signal Generator to 5.5 GHz with an output level of +10 dBm.

PERFORMANCE TESTS

SPECTRAL PURITY TESTS (cont'd)

Procedure (cont'd)

2. Select 10 dB log scale and adjust spectrum analyzer to place peak of fundamental signal on top graticule line.
3. Without disturbing level calibration, tune spectrum analyzer to 11.0 GHz and observe the second harmonic. It must be more than 25 dB below the top graticule line.

(11.0 GHz second harmonic) _____ dBc

NOTE

If a harmonic is found to be slightly out of specification, the Signal Generator should be tuned to that frequency (if possible) to establish a new reference level at that frequency. Then return to the fundamental frequency and repeat the measurement.

4. Set Signal Generator to 7.8 GHz.
5. Without disturbing level calibration, observe the second harmonic. It must be more than 25 dB below the top graticule line.
6. Set Signal Generator to 9.0 GHz.
7. Without disturbing level calibration, observe the second harmonic. It must be more than 25 dB below top graticule line.

(15.6 GHz second) _____

(18.0 GHz second) _____

Non-Harmonic Spurious Signal Test

8. Tune Signal Generator to 6.0 GHz and set output level to 0 dBm. Using the 10 dB log scale, adjust spectrum analyzer to place peak of fundamental signal on top graticule line of display.
9. Using test oscillator, connect a 1 MHz sine wave to the FM input of the Signal Generator and adjust sine wave level (at test oscillator or by using the front-panel FM CAL control of the Signal Generator) to produce easily visible 1 MHz sidebands on the display. Then tune analyzer to center either of the sidebands on the display. The 1 MHz signal is used only as a tuning aid; after the selected sideband is properly centered on the display, the FM must be turned off and the 1 MHz input signal disconnected.
10. Increase spectrum analyzer IF gain by 30 dB and begin narrowing bandwidth to lower the noise floor to ≈ -86 dBm. You will be looking for a signal (which may never be visible) that must be at least 80 dB below the carrier; it will have an offset of approximately 1 MHz. Record the level of the spurious signal (if visible).

(1 MHz offset) _____ dBc

PERFORMANCE TESTS

SPECTRAL PURITY TESTS (cont'd)

Procedure (cont'd)

- Retune the spectrum analyzer to a 30 MHz offset and repeat the search for a possible signal that must be at least 80 dB below the carrier; it will have an offset of approximately 30 MHz. Record the level of the spurious signal (if visible).
(30 MHz offset) _____ dBc

Residual FM Test

- Connect equipment as shown in Figure 4-4. Set the output of the Signal Generator under test and the generator used as a local oscillator to approximately +10 dBm (the precise power level is not critical). Verify that nothing is connected to the modulation inputs, and that all modulation selectors are off.

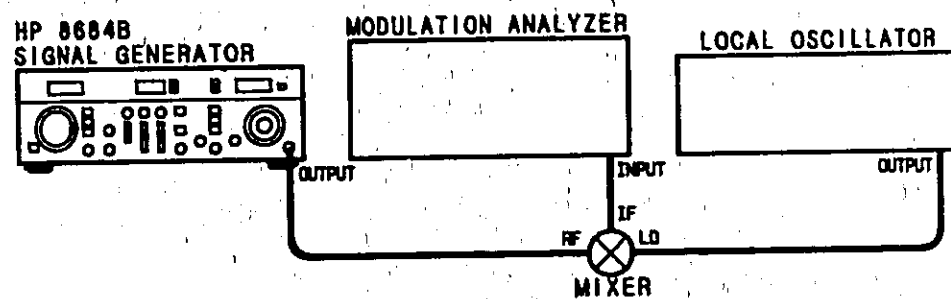


Figure 4-4. Residual FM Test Setup

- Set the Signal Generator under test to 8.0 GHz and set local oscillator to approximately 8.2 GHz so the resulting IF is within the frequency range of the modulation analyzer.
- On the modulation analyzer, select AUTOMATIC OPERATION, FM, 50 Hz HP FILTER, 15 kHz LP FILTER, and AVG.
- Read residual FM directly from the modulation analyzer display. The result must be <5 kHz peak deviation.

(Residual FM) _____ kHz

PERFORMANCE TESTS

4-9. RF OUTPUT TEST

Specification

| Electrical Characteristics | Performance Limits | Conditions |
|--|--|--|
| RF OUTPUT | | |
| Level Range with Option 0G2 | +10 dBm to -130 dBm + 9 dBm to -130 dBm | Leveled into 50Ω |
| Level Accuracy ¹ with Option 002 | ±2.5 dB ±3 dB | From maximum output to -110 dBm |
| with Option 002 | ±3.5 dB ±4 dB | From -110 dBm to -120 dBm |
| Display Resolution | 0.1 dB | Using a 3-1/2 digit 7-segment display |
| Level Flatness | ±1.0 dB | With indicated power level >-10 dBm |

¹ Accuracy error includes allowances for metering accuracy, detector linearity, temperature, flatness, harmonics, attenuator accuracy, and measurement error.

Description

A power meter is used to verify that the maximum specified power is available over the entire frequency range. For low-level signals, the signal is mixed down to the input range of a low-frequency spectrum analyzer; a calibration is performed at the lowest level read by the power meter to minimize errors introduced by the mixing process. A preamplifier is added for the extremely low-level readings. Flatness is verified by tuning across the entire frequency range of 5.4 GHz to 12.5 GHz and determining the difference between the highest and the lowest level indicated by the power meter.

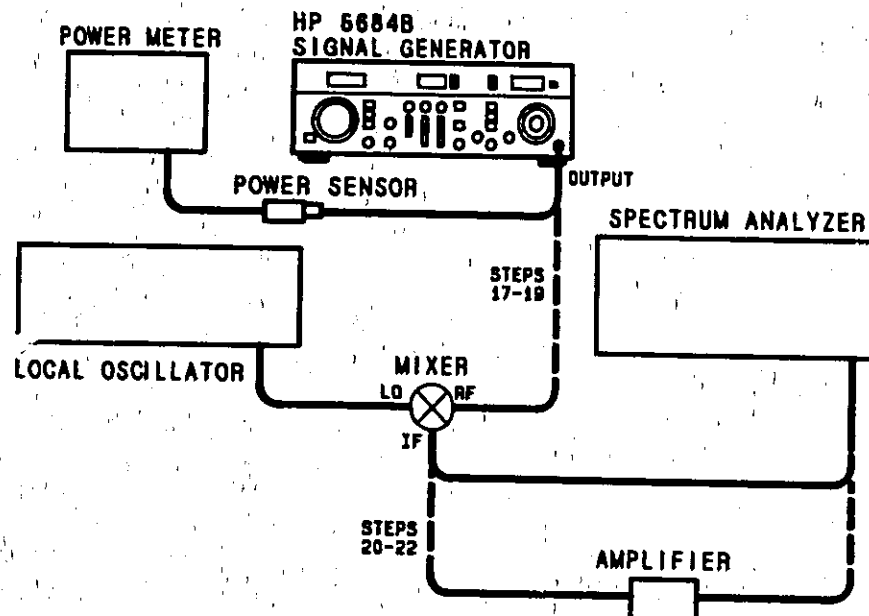


Figure 4-5. RF Output Test Setup

PERFORMANCE TESTS

RF OUTPUT TEST (cont'd)

| | | |
|------------------|---------------------------------------|-------------------|
| Equipment | Power Meter | HP 436A |
| | Power Sensor (Standard) | HP 8481A |
| | Power Sensor (High Sensitivity) | HP 8484A |
| | 50 MHz Reference Attenuator | HP 11708A |
| | Spectrum Analyzer | HP 3580A |
| | Signal Generator | HP 8684A or 8684B |
| | Amplifier | HP 6827A |
| | Mixer | RHG DM 1-18 |

Procedure

Maximum Power

1. Connect standard power sensor to the power meter, as shown in Figure 4-5, and zero and calibrate the power meter.
2. Connect power sensor to RF OUTPUT of the Signal Generator and set Signal Generator to +15 dBm at 8 GHz with all modulation off. Set calibration factor of the power meter to correspond to the 8.0 GHz value of the power sensor calibration data.
3. Verify that the Signal Generator CABLE OFFSET control is off.
4. Tune Signal Generator over the range of 5.4 to 12.5 GHz while verifying that output power is at least +10 dBm at all points in the frequency range. (In instruments with Option 002, output power must be at least +9 dBm at all points in the frequency range.) Adjust the calibration control as necessary while tuning over the frequency range. Record the maximum and minimum levels and the frequencies at which they occur.

Maximum Level _____ dBm

Frequency _____ GHz

Minimum Level _____ dBm

Frequency _____ GHz

Level Accuracy

5. Set Signal Generator under test to 8.0 GHz at +10 dBm (at +9 dBm if Signal Generator has Option 002) with all modulation off.
6. Connect standard power sensor to the power reference output of the power meter. Set calibration factor as required, and zero and calibrate the power meter.
7. Connect power sensor to RF OUTPUT of Signal Generator under test and measure the power. It should be +10 dBm \pm 2.5 dB (+9 dBm \pm 3 dB for Option 002).
_____ dBm
8. Change Signal Generator output level to +3 dBm and verify that power meter indicates +3 dBm \pm 2.5 dB (+3 dBm \pm 3 dB for Option 002).
_____ dBm
9. Change Signal Generator output level to -7 dBm and verify that power meter indicates -7 dBm \pm 2.5 dB (-7 dBm \pm 3 dB for Option 002).
_____ dBm

PERFORMANCE TESTS**RF OUTPUT TEST (cont'd)****Procedure
(cont'd)**

10. Change Signal Generator output level to -17 dBm and verify that power meter indicates -17 dBm ± 2.5 dB (-17 dBm ± 3 dB for Option 002).
_____ dBm
11. Change Signal Generator output level to -27 dBm and verify that power meter indicates -27 dBm ± 2.5 dB (-27 dBm ± 3 dB for Option 002).
_____ dBm
12. Replace standard power sensor with the high sensitivity power sensor, zero the power meter, and connect sensor (through an attenuator if necessary) to the power reference output of the power meter. Set calibration factor as required, and calibrate the power meter.
13. Connect power sensor to RF OUTPUT of Signal Generator under test and measure the power. It should still be -27 dBm ± 2.5 dB (-27 dBm ± 3 dB for Option 002).
_____ dBm
14. Change Signal Generator output level to -37 dBm and verify that power meter indicates -37 dBm ± 2.5 dB (-37 dBm ± 3 dB for Option 002).
_____ dBm
15. Change Signal Generator output level to -47 dBm and verify that power meter indicates -47 dBm ± 2.5 dB (-47 dBm ± 3 dB for Option 002).
_____ dBm
16. Change Signal Generator output level to -57 dBm and verify that power meter indicates -57 dBm ± 2.5 dB (-57 dBm ± 3 dB for Option 002).

NOTE

During the next two steps, do not disturb the LEVEL controls of the Signal Generator under test. If the control is disturbed, the -57 dBm reference established on the spectrum analyzer will not be valid.

17. Connect equipment as shown in Figure 4-5. Set local oscillator output level to $+10$ dBm. If maximum power available is less than $+10$ dBm, use maximum power. Then tune local oscillator to establish a 20 kHz difference frequency between the Signal Generator under test and the local oscillator.
18. On the spectrum analyzer, tune in the IF signal from the mixer and set its peak on the top graticule line. This establishes a -57 dBm reference on the analyzer. Set the spectrum analyzer IF bandwidth as narrow as practical.

NOTE

Do not disturb the controls of either signal generator until specifically instructed to do so.

PERFORMANCE TESTS

**Procedure
(cont'd)**

19. Starting at -57 dBm, reduce the output level of the Signal Generator under test in 10 dB steps down to -107 dBm. At each step, verify that the output level as measured on the spectrum analyzer display is within ± 2.5 dB of the level displayed by the Signal Generator under test (within ± 3 dB of the level displayed for Option 002).

-67 dBm _____ dBm
 -77 dBm _____ dBm
 -87 dBm _____ dBm
 -97 dBm _____ dBm
 -107 dBm _____ dBm

20. Without changing Signal Generator settings, install the preamplifier between the output of the mixer and the input of the spectrum analyzer as shown in Figure 4-5. Set preamplifier gain to 20 dB.
21. Adjust spectrum analyzer as required to place peak of the -107 dBm signal on the top graticule line if possible; this establishes a new reference level at -107 dBm.
22. Change Signal Generator output level to -117 dBm and verify that the analyzer indicates -117 dBm ± 3.5 dB (-117 dBm ± 4 dB for Option 002).

-117 dBm _____ dBm

Level Flatness

23. Connect the standard power sensor to the power meter, and zero and calibrate the power meter.
24. Connect standard power sensor to RF OUTPUT of Signal Generator under test, and set Signal Generator output level to -9 dBm. Verify that all modulation is off.
25. Tune the Signal Generator over the entire range of 5.4 to 12.5 GHz while observing the power meter display. Record the highest and lowest power levels. The difference between the highest and lowest power level must be ≤ 2 dB. Be sure to change the power meter calibration factor as required.

Highest Level _____ dB

Lowest Level _____ dB

Difference _____ dB

PERFORMANCE TESTS

4-10. AMPLITUDE MODULATION TEST

Specification

| Electrical Characteristics | Performance Limits | Conditions |
|---|--|--|
| AMPLITUDE MODULATION: Am Depth | 0 to 70% | At 1 kHz rate |
| Am Distortion (Total Harmonic Distortion) | <10% at 40% depth and 1 kHz rate | |
| AM Rates | dc to 10 kHz 50 Hz to 10 kHz | dc coupled 40% AM depth (3 dB BW) ac coupled 40% AM depth (3 dB BW) |
| Incidental FM | <15 kHz peak-to-peak | 30% AM depth |
| Internal AM | Fixed 1 kHz square wave with a duty cycle of 50 ±5%. On-Off ratio >80 dB at maximum power. | |
| <small>¹Amplitude modulation specifications are valid for the LEVEL vernier range of 5 to 15 dB below the maximum vernier setting with output levels at least 5 dB below the specified maximum output power.</small> | | |

Description

The output of the Signal Generator under test is mixed with the output of another signal generator to produce a frequency within the input range of a modulation analyzer. All modulation parameters are measured directly by the modulation analyzer or distortion analyzer.

Equipment

- Signal Generator HP 8684A or HP 8684B
- Spectrum Analyzer HP 8565A
- Modulation Analyzer HP 8901A
- Audio Analyzer HP 8903A
- Mixer RHG DM 1-18

PERFORMANCE TESTS

AMPLITUDE MODULATION TEST (cont'd)

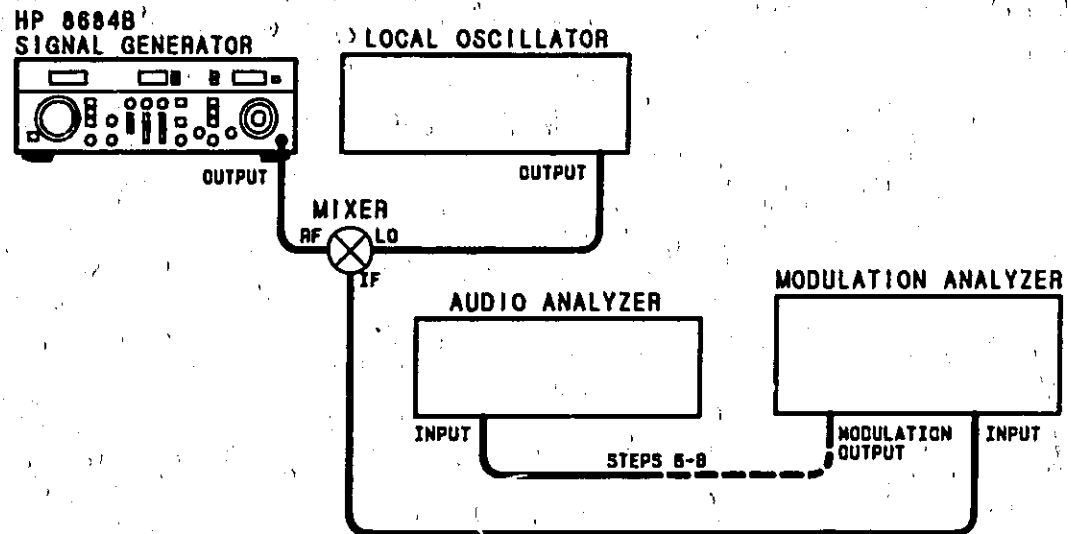


Figure 4-6. AM Depth, AM Distortion and AM Rates, and Incidental FM Test Setup

Procedure

AM Depth

1. Connect equipment as shown in Figure 4-6.
2. Connect 600 Ω output of the audio analyzer to the AM INPUT of the Signal Generator under test, and set the Signal Generator to 7.0 GHz at -9 dBm. Verify that all FM is turned off, select EXT AM, and set AM vernier fully clockwise.
3. On the signal generator used as a local oscillator, set output frequency to approximately 7.5 GHz and set output level to maximum available power. Verify that all modulation is turned off.
4. Press AM key on modulation analyzer.
5. Set audio analyzer frequency to 1 kHz, and adjust output level to obtain an indicated 70% modulation level on the modulation analyzer.

(70%) _____ %

AM Distortion and AM Rates

6. Connect MODULATION OUTPUT of modulation analyzer to the input of the audio analyzer. Select AM mode on the modulation analyzer, and set audio analyzer output level to obtain an indicated 40% MODULATION on the Signal Generator under test. Verify that audio analyzer indicates a distortion level of <10%.

Distortion Level (40% Depth and 1 kHz rate) _____ %

PERFORMANCE TESTS

AMPLITUDE MODULATION TEST (cont')

7. Set audio analyzer output frequency to 2 kHz, verify AM percentage on modulation analyzer, and press the dB switch on modulation analyzer to establish a reference. Vary the modulation frequency (audio analyzer output frequency) over the range of 50 Hz to 10 kHz while observing the modulation analyzer display. The reading should vary by <3 dB (3 dB bandwidth must include AM rates of 50 Hz to 10 kHz).

Incidental FM

8. With the audio analyzer output level set to obtain an indicated 30% MODULATION on the Signal Generator under test, press the FM PEAK+ switch on the modulation analyzer. Record the reading from the analyzer in kHz, and press the PEAK- switch on the analyzer. Add the PEAK+ reading to the PEAK- reading and verify that the sum is <15 kHz.

Peak+ _____ kHz
 Peak- _____ kHz
 Sum _____ kHz

Internal AM

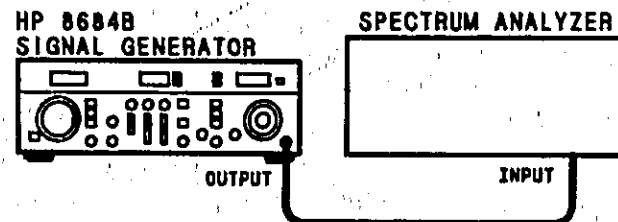


Figure 4-7. Internal AM Test Setup

9. Connect equipment as shown in Figure 4-7 and set Signal Generator to any frequency in its specified range. Set output LEVEL to +10 dBm with all modulation off.
10. Set spectrum analyzer for 100 kHz resolution, select any convenient bandwidth, and tune signal to the center of the display. Set vertical sensitivity to 10 dB/division.
11. Select INT 1 kHz square wave on the Signal Generator.
12. Set the spectrum analyzer to zero span, 0.2 ms/division scan time, and VIDEO trigger. Adjust the trigger control to obtain a stable trace.
13. Fine tune the spectrum analyzer to obtain maximum amplitude of the square wave. Read the on-off ratio directly from the analyzer display. In the off state, the signal may disappear into the noise floor of the spectrum analyzer. The ratio from the top of the square wave to the bottom of the square wave must be more than 80 dB.
 On-Off Ratio _____ dB
14. Measure the duty cycle (ratio of on and off times). It must be 50 ±5%.
 Duty Cycle _____ %

PERFORMANCE TESTS

4-11. FREQUENCY MODULATION TEST

Specification

| Electrical Characteristics | Performance Limits | Conditions |
|---|--|--|
| FREQUENCY MODULATION Peak Deviation FM Rates | 5 MHz dc to 10 MHz 100 Hz to 10 MHz | dc coupled (3 dB BW) ac coupled (3 dB BW) |
| Incidental AM | <6% | With rate <100 kHz and peak deviation <1 MHz |
| Internal FM | Fixed 1 kHz sawtooth with variable deviation up to the maximum specified deviation | |
| Distortion | <5% | 100 kHz rate and <1 MHz peak deviation |

Description

Peak-to-peak deviation is measured by modulating the Signal Generator under test with an external signal source and measuring low modulation frequencies (10 Hz to 100 Hz) on a spectrum analyzer. Deviation at higher modulation frequencies is measured on the spectrum analyzer using the carrier null (Bessel null) technique.

For FM rate measurement, the RF OUTPUT of the Signal Generator under test is mixed with the output of another generator (local oscillator) to produce a 70 MHz signal which is demodulated by a wideband discriminator. The demodulated output is measured on an oscilloscope and translated to dB to determine the 3 dB bandwidth.

Incidental AM is measured by mixing the output of the Signal Generator under test with the output of another generator (local oscillator) to produce a suitable input frequency for the modulation analyzer. The output is frequency modulated, and the amount of incidental AM is displayed by the modulation analyzer.

To measure FM distortion, the output of the instrument under test is mixed with the output of the local oscillator to produce a 70 MHz signal. This signal is demodulated by a wideband discriminator, and the distortion of the demodulated output is measured directly by the audio analyzer.

Equipment

- Signal Generator HP 8684A or HP 8684B
- Spectrum Analyzer HP 8565A
- Frequency Counter HP 5342A
- Test Oscillator HP 654A
- Modulation Analyzer HP 8901A
- Oscilloscope HP 1725A
- Audio Analyzer HP 8903A
- 70 MHz Modulator/Demodulator HP 3717A
- Mixer RHG DM 1-18
- Diode Detector HP 8470B Opt. 012

PERFORMANCE TESTS

FREQUENCY MODULATION TEST (cont'd)

Procedure

FM Rates

1. Connect equipment as shown in Figure 4-8, and set Signal Generator under test to 8 GHz with an output level of 0 dBm or higher. Set generator used as a local oscillator to 8.070 GHz with the highest power available.

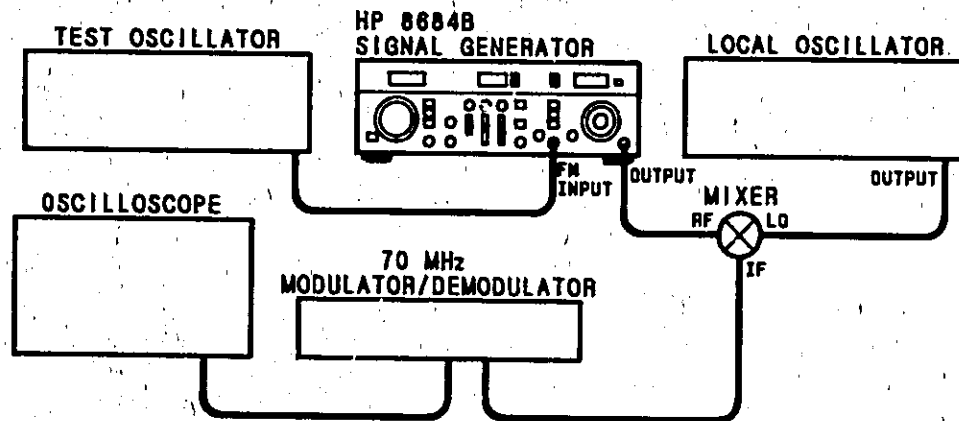


Figure 4-8. FM Rate Test Setup

2. On the Signal Generator, pull FM vernier out to provide AC coupling. Set test oscillator to 10 kHz with an output level of approximately 0.7 Vrms, and set a reference on the oscilloscope display at 6 divisions peak-to-peak.
3. Set the test oscillator to 100 Hz and record the total deflection on the oscilloscope. It should be >4.2 divisions.
(100 Hz) _____ Divisions
4. Set the test oscillator to 10 MHz and record the total deflection on the oscilloscope. It should be >4.2 divisions.
(10 MHz) _____ Divisions

Incidental AM

5. Connect Signal Generator, local oscillator, mixer, and modulation analyzer as shown in Figure 4-9.
6. Set test oscillator output frequency to 50 kHz.
7. Connect 50Ω output of test oscillator to FM INPUT of Signal Generator. Select EXT 1 MHz/V FM and adjust test oscillator output level to obtain an indicated 0.4 MHz peak deviation.
8. Verify that the AM measured by the modulation analyzer is <6%.

Measured Level _____ MHz

PERFORMANCE TESTS

FREQUENCY MODULATION TEST (cont'd)

Procedure (cont'd)

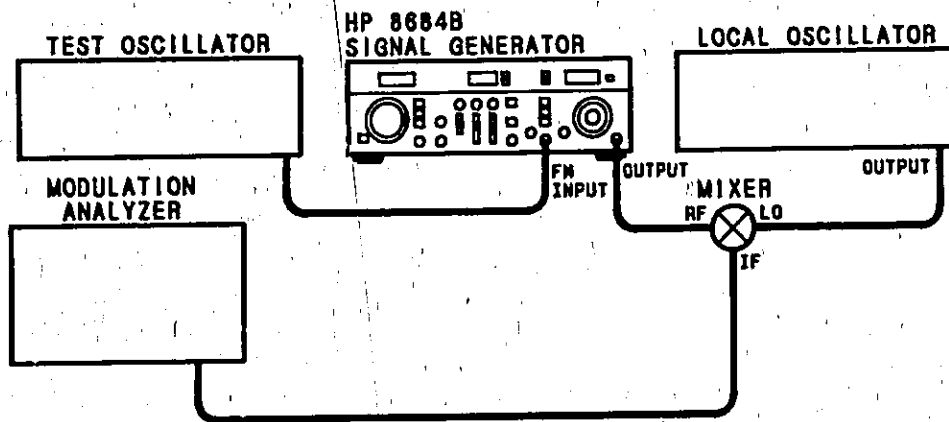


Figure 4-9. Incidental AM Test Setup

Internal FM

9. Set Signal Generator to any frequency in its specified range, and to an output level of -10 dBm. Connect RF OUTPUT of Signal Generator to spectrum analyzer, and set analyzer for 100 kHz resolution with a scan width of 5 MHz/division.

10. On the Signal Generator, select FM INT \sim and turn the FM vernier fully clockwise. The peaks of the signal on the spectrum analyzer display should be at least 10 MHz apart (5 MHz peak deviation). Record spacing.

_____ MHz

11. Rotate the FM vernier counterclockwise, and verify that the peaks of the displayed signal are less than 1 MHz apart when the control is fully counterclockwise. Record spacing.

Minimum Deviation _____ MHz

12. Connect FM OUTPUT of Signal Generator to a frequency counter, and adjust counter triggering as required. Verify that the internal sawtooth rate is approximately 1 kHz.

Internal FM Rate _____ Hz

FM Distortion

13. Connect equipment as shown in Figure 4-10, and set Signal Generator under test to 8 GHz with an output level of 0 dBm or higher.

PERFORMANCE TESTS

FREQUENCY MODULATION TEST (cont'd)

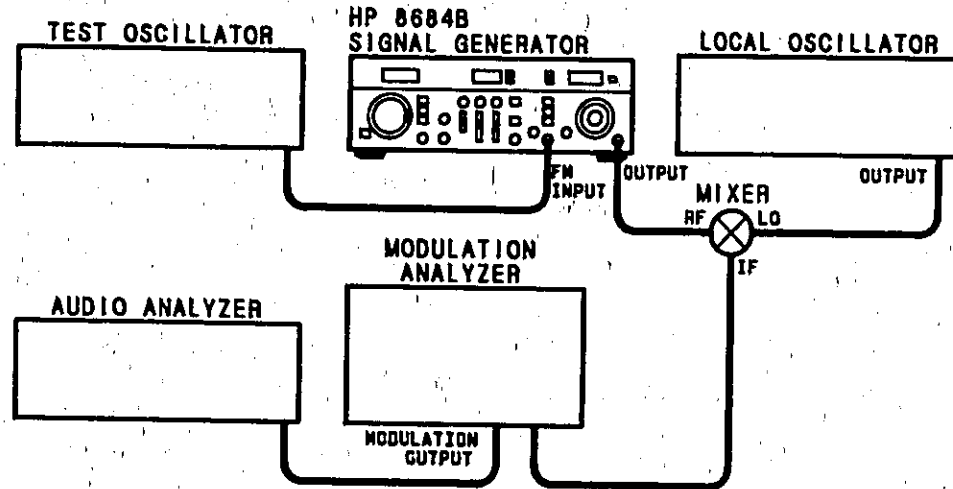


Figure 4-10. FM Distortion Test Setup

Procedure (cont'd)

14. Set signal generator used as a local oscillator to 8.07 GHz at the highest available power level. Verify that all modulation is off.
15. Verify that the 80 kHz low-pass filter in the audio analyzer is *not* selected. This filter is automatically selected when the instrument is powered up.
16. Select EXT 1 MHz/V FM on the Signal Generator, set audio analyzer to 100 kHz, and adjust output amplitude to obtain a 0.9 MHz peak deviation on the Signal Generator under test. Press the DISTN key on the audio analyzer and read distortion level on the right-hand display. It must be <5%.

Distortion Level _____ %

17. Lower the output amplitude of the audio analyzer and observe the distortion as the deviation is decreased. The distortion should remain under 5% for any deviation <1 MHz. Record maximum distortion level and peak deviation at which it occurs.

Maximum Distortion _____ %

Peak Deviation _____ MHz

PERFORMANCE TESTS

4-12. EXTERNAL PULSE REQUIREMENTS TEST

Specification

| Electrical Characteristics | Performance Limits | Conditions |
|--|--------------------|---|
| EXTERNAL PULSE INPUT REQUIREMENTS | | |
| Rate | 0 to 1 MHz | See Table 1-2, Supplemental Characteristics |
| Width | >100 ns | |
| On Level | ≅1.0V | dc coupled |
| Off Level | ≤0.4V | dc coupled |

Description

An external pulse generator is used to verify that the Signal Generator will produce a pulsed RF output when triggered by the minimum specified pulse width and pulse amplitude. Pulse rates up to 1 MHz may be used.

Equipment

Oscilloscope HP 1725A
 Pulse Generator HP 8013B
 Diode Detector HP 8470B Opt. 012

CAUTION

External pulses applied to the EXT PULSE INPUT must not exceed 5V peak. Higher input voltages may damage the A3 Pulse Delay Generator Assembly.

Procedure

1. Connect positive-going output of the pulse generator to the EXT PULSE input of the Signal Generator, and connect diode detector to the RF OUTPUT of the Signal Generator. A detector load may be needed to minimize overshoot and ringing. Connect detector output to the oscilloscope input, and connect trigger output of the pulse generator to the external trigger input of the oscilloscope.
2. Set pulse generator pulse width to 100 ns and set pulse amplitude to >1.0V. Set pulse repetition period to 1 μs or longer (to provide pulse rates of 0 to 1 MHz).
3. Verify that external pulse is triggering the Signal Generator. This test may be repeated at any pulse rate, pulse width, and pulse amplitude combination within the specified ranges. Check if external pulse sensitivity is satisfactory.

External Pulse Sensitivity _____

PERFORMANCE TESTS

4-13. RF PULSE OUTPUT TEST

Specification

| Electrical Characteristics | Performance Limits | Conditions |
|--|------------------------------------|---|
| RF PULSE OUTPUT | | |
| Rise and Fall Time | <10 ns | |
| Minimum Pulse Width | <100 ns | |
| Video Feedthrough | <25 mV peak | At maximum specified power |
| Maximum Pulse Rate | 1 MHz | |
| Maximum Delay Time (Time between VIDEO OUT pulse and RF pulse) | <100 ns | |
| Pulse Width Compression ¹ | <50 ns | |
| Minimum Duty Cycle | 0.01% | Output may be unlevelled below 0.01% |
| Peak Pulse Power | ±0.5 dB of level set in CW mode | For top 10 dB of LEVEL vernier range |
| On-Off Ratio | >80 dB | At maximum leveled power |

¹Delay time and compression are referenced to the VIDEO OUT signal.

Description

The pulsed RF output of the Signal Generator is detected and observed on an oscilloscope. Rise and fall times, minimum pulse width, pulse width compression, delay time, and peak pulse power can all be observed. The Signal Generator output is then connected to a spectrum analyzer where the on-off ratio is measured directly in dB.

Equipment

- Spectrum AnalyzerHP 8565A
- OscilloscopeHP 1725A
- Diode DetectorHP 8470B Opt. 012

Procedure

1. Connect equipment as shown in Figure 4-11.

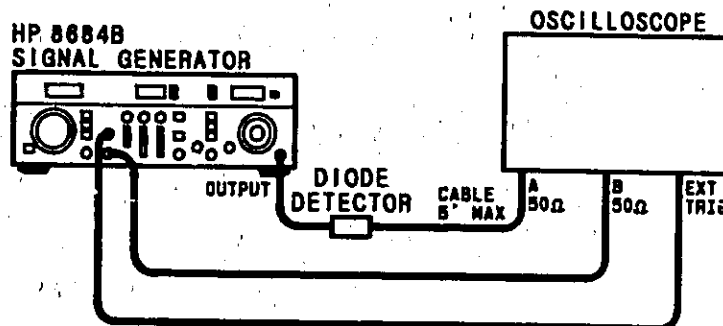


Figure 4-11. RF Pulse Characteristics Test Setup

PERFORMANCE TESTS

RF PULSE OUTPUT TEST (cont'd)

Procedure

- Set Signal Generator to a frequency of 8 GHz with an output level of +10 dBm. Select INT PULSE mode and set PULSE controls as follows:

RATE 1 MHz
 DELAY Minimum
 WIDTH 100 ns

- Set the oscilloscope for external triggering with the following settings:

TIME/DIV 50 ns
 CHANNEL A 0.1 VOLTS/DIV
 CHANNEL B 1 VOLTS/DIV
 VERT DISPLAY ALT
 HORIZ DISPLAY MAG X10

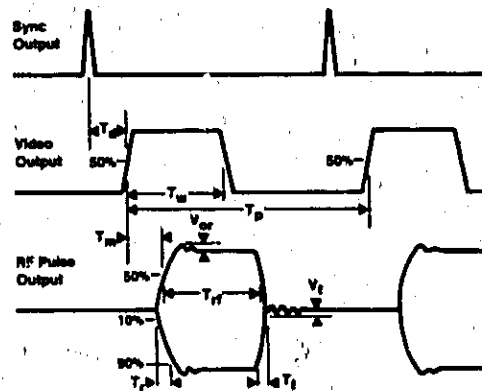
- Refer to Figure 4-12 for pulse characteristic definitions, and measure rise and fall times. Both must be <10 ns.

Rise Time _____ ns

Fall Time _____ ns

- Set Signal Generator width controls for the minimum pulse width, and verify that the minimum pulse width is <100 ns.

Minimum Pulse Width _____ ns



| | |
|------------------------------------|--------------------------------|
| T_d Video Delay (Variable) | T_r RF Pulse Rise Time |
| T_w Video Pulse Width (Variable) | T_{fl} RF Pulse Fall Time |
| T_p Pulse Period (Variable) | V_{or} Overshoot and Ringing |
| T_m RF Delay | V_f Video Feedthrough |
| T_{wf} RF Pulse Width | |

Figure 4-12. Pulse Characteristic Definitions

- Connect oscilloscope to Signal Generator VIDEO OUT connector, and set WIDTH controls to obtain a VIDEO OUT pulse width of 100 ns. Then, without changing any Signal Generator controls, compare the width of the VIDEO OUT pulse with the width of the detected RF pulse. The pulse width compression (video pulse width minus RF pulse width) must be <50 ns.

Pulse Width Compression _____ ns

PERFORMANCE TESTS

RF PULSE OUTPUT TEST (cont'd)**Procedure**

7. Using the 50% point on each waveform, measure the delay between the start of the VIDEO OUT pulse and the start of the detected RF pulse. The delay must be <100 ns.

Pulse Delay _____ ns

8. Set pulse width to 100 ns, and compare detected pulse level with the CW level of the Signal Generator. The pulse level must be within $\pm 6\%$ (0.5 dB) of the CW level.

Peak Pulse Power Variation _____ %

9. Disconnect detector from the RF OUTPUT of the Signal Generator and connect RF OUTPUT directly to the oscilloscope input. Set Generator for maximum output power, and verify that any pulses or spikes (video feedthrough) visible on the oscilloscope are ≤ 25 mV peak.

Video Feedthrough _____ mV peak

10. Verify that all modulation is turned off, and connect RF OUTPUT of Signal Generator to the spectrum analyzer.

11. Set Signal Generator output level to +10 dBm, center the carrier on the spectrum analyzer display, and set peak of carrier on the top graticule line of the display.

12. Set Signal Generator to INT PULSE mode and set PULSE controls for the minimum pulse rate. Note amplitude of carrier on spectrum analyzer during the time between pulses (off time). This level must be >80 dB below the signal level during the on-time.

On-Off Ratio _____ dB

PERFORMANCE TESTS

4-14. INTERNAL PULSE GENERATOR TEST

Specification

| Electrical Characteristics | Performance Limits | Conditions |
|--|---|--|
| INTERNAL PULSE GENERATOR | | |
| Pulse Rate | 10 Hz to 1 MHz in five ranges with continuous adjustment within ranges. | |
| Pulse Delay (Time between SYNC OUT and VIDEO OUT pulses.) | <50 ns to 100 ms in seven ranges with continuous adjustment within ranges. | The range for <100 ns is not calibrated. The pulse delay must be <90% of pulse period. |
| Pulse Width | <100 ns to 100 ms in seven ranges with continuous adjustment within ranges. | |
| Calibration Accuracy (Pulse Rate, Pulse Width, and Pulse Delay) | 20% of full scale | |

Description

The performance of the internal pulse generator is verified by using a frequency counter to measure the RATE, DELAY, and WIDTH of the pulse generator output. All required measurements can be taken from the front-panel SYNC OUT and VIDEO OUT connectors.

Equipment

- Frequency Counter HP 5345A
- Oscilloscope HP 1725A
- 50 Ohm Feedthrough Termination (2) HP 10100C

Procedure

1. Connect equipment as shown in Figure 4-13.

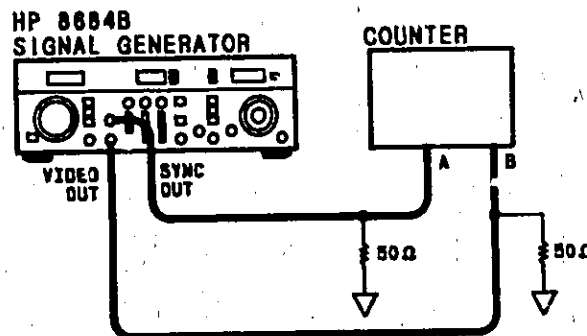


Figure 4-13. Internal Pulse Generator Test Setup

PERFORMANCE TESTS

INTERNAL PULSE GENERATOR TEST (cont'd)

Procedure (cont'd)

2. Set Frequency counter controls as follows:

FUNCTION FREQ A
 FREQ RESOLUTION As Required
 CHK/SEP/COM SEP
 SLOPE CHANNEL A +, CHANNEL B -
 AC/DC DC (Both Channels)
 ATTEN X1 (Both Channels)
 LEVEL PRESET (Both Channels)

3. Select INT PULSE mode and set Signal Generator DELAY to 30 ns, WIDTH to 50 ns, and RATE (as measured by the counter) to 1 MHz. Record counter indication.
 100 kHz position _____ MHz

4. Move the RATE switch to the 10 kHz, 1 kHz, 100 Hz, and 10 Hz positions. Record the rate measured at each position. All rates must be within 20% of the selected RATE switch position.

10 kHz position 80 kHz _____ 120 kHz

1 kHz position 8 kHz _____ 12 kHz

100 Hz position 800 Hz _____ 1200 Hz

10 Hz position 80 Hz _____ 120 Hz

5. Set Signal Generator PULSE RATE switch to 100 Hz. Then set RATE vernier to 10, 8, 6, 4, and 2 positions. Record the rate measured at each position.

10 position 800 Hz _____ 1200 Hz

8 position 600 Hz _____ 1000 Hz

6 position 400 Hz _____ 800 Hz

4 position 200 Hz _____ 600 Hz

2 position 0 Hz _____ 400 Hz

6. Set frequency counter controls as follows:

FUNCTION TIME INT A to B
 CHK/SEP/COM COM
 LEVEL A (Trigger) Adjusted +

7. Set Signal Generator RATE to <9 Hz, set WIDTH to <100 ns, and set DELAY switch to 100 ms. Adjust DELAY vernier for a frequency counter reading of 100 ms. Measure and record the delay at 10 ms, 1 ms, 0.1 ms, 10 μ s, 1 μ s, and 0.1 μ s positions of the slide switch.

PERFORMANCE TESTS

INTERNAL PULSE GENERATOR TEST

**Procedure
(cont'd)**

10 ms position 8 ms _____ 12 ms

1 ms position 800 μ s _____ 1200 μ s

0.1 ms position 80 μ s _____ 120 μ s

10 μ s position 8 μ s _____ 12 μ s

1 μ s position 800 ns _____ 1200 ns

0.1 μ s position 80 ns _____ 120 ns

8. Return DELAY slide switch to the 1 ms position, and measure and record the delay with the vernier in the 1, 0.8, 0.6, 0.4, and 0.2 positions.

1 position: 800 μ s _____ 1200 μ s

0.8 position: 600 μ s _____ 1000 μ s

0.6 position: 400 μ s _____ 800 μ s

0.4 position: 200 μ s _____ 600 μ s

0.2 position: 0 μ s _____ 400 μ s

9. Set frequency counter controls as follows:

FUNCTION PER A
 CHK/SEP/COM SEP
 LEVEL A (Trigger) Adjusted +

10. Disconnect Signal Generator SYNC OUT signal from INPUT A of the counter, and connect Signal Generator VIDEO OUT signal to INPUT A of the counter.

11. Set Signal Generator RATE switch to 10 Hz and RATE vernier to 1, and set DELAY to <50 ns. Set WIDTH switch to 100 ms, and adjust WIDTH vernier to obtain a pulse width indication of 100 ms on the counter. It may be necessary to readjust counter trigger levels. Move the WIDTH switch to the 10 ms, 1 ms, 0.1 ms, 10 μ s, 1 μ s, and 0.1 μ s positions; record the pulse width measured at each position:

10 ms position: 8 ms _____ 12 ms

1 ms position: 800 μ s _____ 1200 μ s

0.1 ms position: 80 μ s _____ 120 μ s

10 μ s position: 8 μ s _____ 12 μ s

1 μ s position: 800 ns _____ 1200 ns

0.1 μ s position: 80 ns _____ 120 ns

PERFORMANCE TESTS

INTERNAL PULSE GENERATOR TEST (cont'd)**Procedure**

12. Return WIDTH switch to the 1 ms position, and measure and record the width with the WIDTH vernier in the 1, 0.8, 0.6, 0.4, and 0.2 positions.

1 position: 800 μ s _____ 1200 μ s

0.8 position: 600 μ s _____ 1000 μ s

0.6 position: 400 μ s _____ 800 μ s

0.4 position: 200 μ s _____ 600 μ s

0.2 position: 0 μ s _____ 400 μ s

13. Set WIDTH switch to 0.1 μ s and WIDTH vernier to 0.5 to verify that the minimum pulse width (at VIDEO OUT) is <100 ns. Record minimum width attainable.

Minimum Pulse Width _____ ns

Table 4-1. Performance Test Record (1 of 5)

| Hewlett-Packard Company Model 8684B Signal Generator Serial Number _____ | | Tested By _____ Date _____ | | |
|---|-------------------------------------|-------------------------------|-------------|------------|
| Para. No. | Tests | Results | | |
| | | Minimum | Actual | Maximum |
| 4-7. | FREQUENCY RANGE AND ACCURACY | | | |
| | Minimum Frequency | | _____ | 5.400 GHz |
| | Calibration Accuracy | | | |
| | 5.400 GHz | 5.333 GHz | _____ | 5.467 GHz |
| | 7.200 GHz | 7.110 GHz | _____ | 7.290 GHz |
| | 9.000 GHz | 8.888 GHz | _____ | 9.112 GHz |
| | 10.80 GHz | 10.719 GHz | _____ | 10.881 GHz |
| | 12.50 GHz | 12.406 GHz | _____ | 12.594 GHz |
| | Maximum Frequency | 12.50 GHz | _____ | |
| | Other Frequency Settings (Optional) | | | |
| _____ GHz (≤ 9 GHz) | -1.25% | _____ | +1.25% | |
| _____ GHz (≤ 9 GHz) | -1.25% | _____ | +1.25% | |
| _____ GHz (> 9 GHz) | -0.75% | _____ | +0.75% | |
| _____ GHz (> 9 GHz) | -0.75% | _____ | +0.75% | |
| _____ GHz (> 9 GHz) | -0.75% | _____ | +0.75% | |
| 4-8. | SPECTRAL PURITY | | | |
| | Spurious Signals | | | |
| | Harmonics | | | |
| | 11.0 GHz (second) | | _____ | -25 dBc |
| | 15.6 GHz (second) | | _____ | -25 dBc |
| | 18.0 GHz (second) | | _____ | -25 dBc |
| | Non-harmonics | | | |
| 6.0 GHz | | | | |
| (1 MHz Offset) | | _____ | -80 dBc | |
| (30 MHz Offset) | | _____ | -80 dBc | |
| Residual FM | | | | |
| (50 Hz to 15 kHz Post Detection Noise Bandwidth) | | _____ | <5 kHz peak | |

Table 4-1. Performance Test Record (2 of 5)

| Para. No. | Tests | Results | | |
|-----------|---|------------|--------|------------|
| | | Minimum | Actual | Maximum |
| 49. | RF OUTPUT CHARACTERISTICS | | | |
| | Maximum Power | | | |
| | Maximum Level | +10 dBm | _____ | |
| | Frequency of Highest Point _____ GHz | | | |
| | Minimum Level | +10 dBm | _____ | |
| | Frequency of Lowest Point _____ GHz | | | |
| | Level Accuracy | | | |
| | +10 dBm | +7.5 dBm | _____ | +12.5 dBm |
| | +3 dBm | +0.5 dBm | _____ | +5.5 dBm |
| | -7 dBm | -9.5 dBm | _____ | -4.5 dBm |
| | -17 dBm | -19.5 dBm | _____ | -14.5 dBm |
| | -27 dBm (standard power sensor) | -29.5 dBm | _____ | -24.5 dBm |
| | -27 dBm (high sensitivity power sensor) | -29.5 dBm | _____ | -24.5 dBm |
| | -37 dBm | -39.5 dBm | _____ | -34.5 dBm |
| | -47 dBm | -49.5 dBm | _____ | -44.5 dBm |
| | -57 dBm (into power meter) | -59.5 dBm | _____ | -54.5 dBm |
| | -57 dBm (into spectrum analyzer) | -59.5 dBm | _____ | -54.5 dBm |
| | -67 dBm | -69.5 dBm | _____ | -64.5 dBm |
| | -77 dBm | -79.5 dBm | _____ | -74.5 dBm |
| | -87 dBm | -89.5 dBm | _____ | -84.5 dBm |
| | -97 dBm | -99.5 dBm | _____ | -94.5 dBm |
| | -107 dBm (into spectrum analyzer) | -109.5 dBm | _____ | -104.5 dBm |
| | -117 dBm | -120.5 dBm | _____ | -113.5 dBm |
| | Level Accuracy (Option 002) | | | |
| | +9 dBm | +6 dBm | _____ | +12 dBm |
| | +3 dBm | 0 dBm | _____ | +6 dBm |
| | -7 dBm | -10 dBm | _____ | -4 dBm |
| | -17 dBm | -20 dBm | _____ | -14 dBm |
| | -27 dBm (standard power sensor) | -30 dBm | _____ | -24 dBm |
| | -27 dBm (high sensitivity power sensor) | -30 dBm | _____ | -24 dBm |
| | -37 dBm | -40 dBm | _____ | -34 dBm |
| | -47 dBm | -50 dBm | _____ | -44 dBm |
| | -57 dBm (into power meter) | -60 dBm | _____ | -54 dBm |
| | -57 dBm (into spectrum analyzer) | -60 dBm | _____ | -54 dBm |
| | -67 dBm | -70 dBm | _____ | -64 dBm |
| | -77 dBm | -80 dBm | _____ | -74 dBm |
| | -87 dBm | -90 dBm | _____ | -84 dBm |
| | -97 dBm | -100 dBm | _____ | -94 dBm |
| | -107 dBm (into spectrum analyzer) | -110 dBm | _____ | -104 dBm |
| | -117 dBm | -121 dBm | _____ | -113 dBm |
| | Level Flatness | | | |
| | Highest Level _____ | | | |
| | Lowest Level _____ | | | |
| | Difference | | | 2 dB |

Table 4-1. Performance Test Record (3 of 5)

| Para. No. | Tests | Results | | |
|---|--|------------|--------|---------|
| | | Minimum | Actual | Maximum |
| 4-10. | AMPLITUDE MODULATION | | | |
| | AM Depth | 70% | _____ | |
| | AM Distortion (at 40% depth and 1 kHz rate) | | _____ | <10% |
| | AM Rates (3 dB BW) | | | |
| | (dc coupled) | dc | _____ | 10 kHz |
| | (ac coupled) | 50 Hz | _____ | 10 kHz |
| | Incidental FM (30% AM depth) | | | |
| | Peak + _____ | | | |
| | Peak - _____ | | | |
| | Sum | | _____ | <15 kHz |
| Internal AM (1 kHz square wave) | | | | |
| On/Off Ratio | 80 dB | _____ | | |
| Duty Cycle | 45% | _____ | 55% | |
| 4-11. | FREQUENCY MODULATION | | | |
| | FM Rates (3 dB BW) | | | |
| | (100 Hz rate) | >4.2 div. | _____ | |
| | (10 MHz rate) | >4.2 div. | _____ | |
| | Incidental AM | | | |
| | Measured Level | | _____ | <6% |
| | Internal FM Deviation (Fixed Internal sawtooth) | 5 MHz peak | _____ | |
| | Minimum Deviation | <1 MHz | _____ | |
| | Internal FM Period | ~1 ms | _____ | ~1 ms |
| | Distortion (at 100 kHz rate and <1 MHz peak deviation) | | _____ | <5% |
| Maximum Distortion | | _____ | <5% | |
| Peak deviation at which it occurs _____ MHz | | | | |
| 4-12. | EXTERNAL PULSE INPUT REQUIREMENTS | | | |
| | Rate | 0 Hz | _____ | 1 MHz |
| | Width | 100 ns | _____ | |
| | External Pulse Sensitivity | | _____ | |

Table 4-1. Performance Test Record (4 of 5)

| Para. No. | Tests | Results | | |
|--------------|---|-----------------------------------|--------------|-----------------------------------|
| | | Minimum | Actual | Maximum |
| 4-13. | RF PULSE OUTPUT | | | |
| | Rise Time | | _____ | <10 ns |
| | Fall Time | | _____ | <10 ns |
| | Minimum Pulse Width | | _____ | <100 ns |
| | Video Feedthrough (at +10 dBm) | | _____ | 25 mV peak |
| | Pulse Width Compression | | _____ | <50 ns |
| | Pulse Delay (between VIDEO OUT and RF OUTPUT) | | _____ | <100 ns |
| | Peak Pulse Power | 0.5 dB below level set in CW mode | _____ | 0.5 dB above level set in CW mode |
| On/Off Ratio | 80 dB | _____ | | |
| 4-14. | INTERNAL PULSE GENERATOR | | | |
| | PULSE RATE switch | | | |
| | 100 kHz position | 1 MHz | _____ | 1 MHz |
| | 10 kHz position | 80 kHz | _____ | 120 kHz |
| | 1 kHz position | 8 kHz | _____ | 12 kHz |
| | 100 Hz position | 800 Hz | _____ | 1200 Hz |
| | 10 Hz position | 80 Hz | _____ | 120 Hz |
| | PULSE RATE Vernier | | | |
| | 10 position | 800 Hz | _____ | 1200 Hz |
| | 8 position | 600 Hz | _____ | 1000 Hz |
| | 6 position | 400 Hz | _____ | 800 Hz |
| | 4 position | 200 Hz | _____ | 600 Hz |
| | 2 position | 0 Hz | _____ | 400 Hz |
| | PULSE DELAY Switch | | | |
| | 10 ms position | 8 ms | _____ | 12 ms |
| | 1 ms position | 800 μ s | _____ | 1200 μ s |
| | 0.1 ms position | 80 μ s | _____ | 120 μ s |
| | 10 μ s position | 8 μ s | _____ | 12 μ s |
| | 1 μ s position | 800 ns | _____ | 1200 ns |
| | 0.1 μ s position | 80 ns | _____ | 120 ns |
| | PULSE DELAY Vernier | | | |
| | 1 position | 800 μ s | _____ | 1200 μ s |
| 0.8 position | 600 μ s | _____ | 1000 μ s | |

Table 4-1. Performance Test Record (5 of 5)

| Para. No. | Tests | Results | | |
|-----------|--|-------------|--------|--------------|
| | | Minimum | Actual | Maximum |
| 4-14. | INTERNAL PULSE GENERATOR (cont'd) | | | |
| | PULSE DELAY Vernier (cont'd) | | | |
| | 0.6 position | 400 μ s | _____ | 800 μ s |
| | 0.4 position | 200 μ s | _____ | 600 μ s |
| | 0.2 position | 0 μ s | _____ | 400 μ s |
| | PULSE WIDTH Switch | | | |
| | 10 ms position | 8 ms | _____ | 12 ms |
| | 1 ms position | 800 μ s | _____ | 1200 μ s |
| | 0.1 ms position | 80 μ s | _____ | 120 μ s |
| | 1 μ s position | 800 ns | _____ | 1200 ns |
| | 0.1 μ s position | 80 ns | _____ | 120 ns |
| | PULSE WIDTH Vernier | | | |
| | 1 position | 800 μ s | _____ | 1200 μ s |
| | 0.8 position | 600 μ s | _____ | 1000 μ s |
| | 0.6 position | 400 μ s | _____ | 800 μ s |
| | 0.4 position | 200 μ s | _____ | 600 μ s |
| | 0.2 position | 0 μ s | _____ | 400 μ s |
| | Minimum Pulse Width (VIDEO OUT) | | _____ | <100 ns |

ADJUSTMENTS

SECTION V ADJUSTMENTS

5-1. INTRODUCTION

This section contains adjustments and checks that ensure proper performance of the Signal Generator. Adjustments are not required on any fixed periodic basis, and normally are performed only after a performance test has indicated that some parameters are out of specification. Performance tests should be completed after any repairs that may have altered the characteristics of the instrument, and the test results will make it possible to determine whether or not adjustments are required. Allow 60 minutes for the Signal Generator to warm up, and then remove the top cover for access to the test and adjustment points.

To determine which performance tests and adjustments to perform after a repair, refer to paragraph 5-6, Post-Repair Tests, Adjustments, and Checks.

5-2. SAFETY CONSIDERATIONS

This section contains information, cautions, and warnings that must be followed for your protection and to avoid damage to the equipment being used.

WARNING

Adjustments described in this section are performed with power applied to the instrument and with protective covers removed. Maintenance should be performed only by trained personnel who are aware of the hazards involved. When the maintenance procedure can be performed without power, the power should be removed.

5-3. EQUIPMENT REQUIRED

Each adjustment procedure includes a list of required test equipment, and the test equipment is also identified on the test setup diagrams. If substitutions must be made for the equipment listed in Table 1-3, Recommended Test Equipment, the equipment used must meet the critical specification listed in the table if the Signal Generator is to meet its performance requirements.

5-4. FACTORY SELECTED COMPONENTS

Factory selected components are identified on the schematics and parts lists by an asterisk (*) which follows the reference designator. The nominal value of the selected component is shown. Manual change sheets will provide updated information pertaining to selected components. Table 5-1 lists the reference designator, the service sheet where the component is shown, the nominal value range, and the basis for selecting a particular value.

5-5. INTERRELATED ADJUSTMENTS

The -15V adjustment on the A11 Power Supply assembly should be the first item checked during any adjustment procedure. The -15V source provides a reference voltage for the +15V and -30V sources, and proper operation of these three power supplies should be verified before the more complex adjustment procedures are started.

5-6. POST-REPAIR TESTS, ADJUSTMENTS, AND CHECKS

Table 5-2 lists the adjustments related to repairs or replacement of any of the assemblies.

Table 5-1. Factory Selected Components

| Reference Designator | Service Sheet | Range of Values | Basis of Selection |
|----------------------|---------------|--------------------------------------|--|
| A5R43 | 7 | 3.83 k Ω to 7.5 k Ω | <ol style="list-style-type: none"> 1. Selected to set the level at which the UNLEVEL light comes on. 2. Set LEVEL control for maximum RF OUTPUT. 3. Set LEVEL vernier fully clockwise. 4. Connect a +1.0 Vdc signal to the AM INPUT. 5. Measure the voltage (Vdc) on A5U1 pin 8. 6. Measure reference uncal level (Vdc) at XA5 pin 35. 7. Select a value for A5R43 so that the voltages measured in steps 5 and 6 are close, but such that the voltage at XA5 pin 35 is slightly greater than the voltage at A5U1 pin 8. 8. The voltage (Vdc) at A5U1 pin 8 changes approximately 0.3 Vdc for an approximate change of 500Ω. |

Table 5-2. Post-Repair Adjustments, Tests, and Checks

| Assembly Repaired or Replaced | Related Adjustment or Performance Test | Reference Service Sheet |
|-------------------------------|--|------------------------------|
| A1 Front Panel | None | 1, 2, 3 |
| A2 Pulse Rate | 5-12 | 4 |
| A3 Pulse Delay | 5-12 | 5 |
| A4 Pulse Width | 5-12 | 6 |
| A5 ALC Control | 5-9 | 7 |
| A6 ALC Detector Amplifier | 4-10, 4-11, 4-12, 4-13, 5-9 | 8 |
| A7 ALC Reference | 4-8, 4-9, 5-8 | 9 |
| A8 I/O Board | 5-11 | 10 |
| A9 Processor | None | 11 |
| A10 FM Shaper | 4-11, 5-10 | 12 |
| A11 Power Supply | 5-7 | 13, 14 |
| A12 Motherboard | None | 1-14 |
| A13 Microcircuit Interface | None | BD2 |
| A14 Oscillator | 4-7, 4-8, 4-11, 5-10, 5-11 | BD2 |
| A16 Microwave Power Amplifier | None | BD2 |
| A17 Line Power Module | None | 13 |
| A18 Oscillator Drive | 4-7, 5-12, 5-13 | Section VI, pages 6-30, 6-31 |

ADJUSTMENTS

5-7. A11 POWER SUPPLY ADJUSTMENTS

Reference Service Sheets 13 and 14.

Description The -15 Vdc is used as a supply and as a reference for the -30 Vdc and +15 Vdc. Adjust the -15 Vdc first, using the digital voltmeter. The other adjustable supply on the power supply board is the +5 Vdc. The supplies and reference voltages can be read using the diagnostic mode and the front panel frequency display.

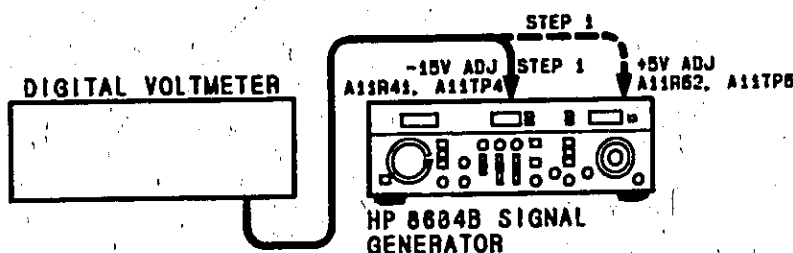


Figure 5-1. A11 Power Supply Adjustments

Equipment Digital Voltmeter.....HP 3455A

- Procedure**
1. Use equipment as shown in the adjustment setup. Measure at A11TP4 and adjust A11R41, labeled -15 ADJ, to -15.00 ± 0.05 Vdc. Measure at A11TP6 and adjust A11R62, labeled 5V ADJ, to $+5.00 \pm 0.05$ Vdc.
 2. Set the service switch A9S1 to the DIAG (diagnostic) position.
 3. Check the voltages shown by tests 00 to 05. They should be as shown in the following table.

Table 5-3. Voltage Levels

| Diagnostic Test No. | Description | Typical Range |
|---------------------|------------------------------|-------------------------|
| 00 | +5.0 Vdc supply | +5.00 Vdc ± 0.05 V |
| 01 | +6.5 Vdc μ circuit power | +6.45 Vdc ± 0.1 V |
| 03 | +15 Vdc supply | +15.09 Vdc ± 0.2 V |
| 04 | -15 Vdc supply | -15.00 Vdc ± 0.05 V |
| 05 | -30 Vdc supply | -30.04 Vdc ± 0.2 V |

6. Tune the frequency dial to the upper stop.
7. Select Diagnostic Test 07. Adjust LB (low break point) adjustment, A11R7, clockwise to the point where the voltage displayed on the front panel stops increasing. Stop at exactly that point.
8. Adjust LOW (LOW OFFSET) adjustment, A11R30, to obtain 4.24 ± 0.02 volts on the front panel display.
9. Select Diagnostic Test 06. Set HO (HIGH OFFSET) adjustment, A11R18, to obtain 4.24 ± 0.02 volts on the front panel display.

ADJUSTMENTS

A11 POWER SUPPLY ADJUSTMENTS (cont'd)**Procedure
(cont'd)**

10. Tune the frequency dial to the lower stop.
11. Set HB (HIGH BREAK POINT) adjustment, A11R6, to obtain 5 ± 0.02 volts on the front panel display.
12. Tune the frequency dial until the voltage displayed reaches a peak (which should be near 6.4 volts).
13. Set the instrument service switch, A9S1, to NORM (normal) position and verify that the frequency is about 6.7 GHz. This confirms proper completion of the bias adjustment. If the frequency is much different from this, recheck the adjustments starting at step 6.

ADJUSTMENTS

5-8. A7 ALC REFERENCE ADJUSTMENTS

Reference Service Sheet 9.

Description ALC Reference Adjustments consist of setting the R^F level to agree with the front panel display and reference offset so that the LEVEL vernier agrees with the front panel display. AM sensitivity, 10 dB pad, and the 30 MHz harmonic level are also set.

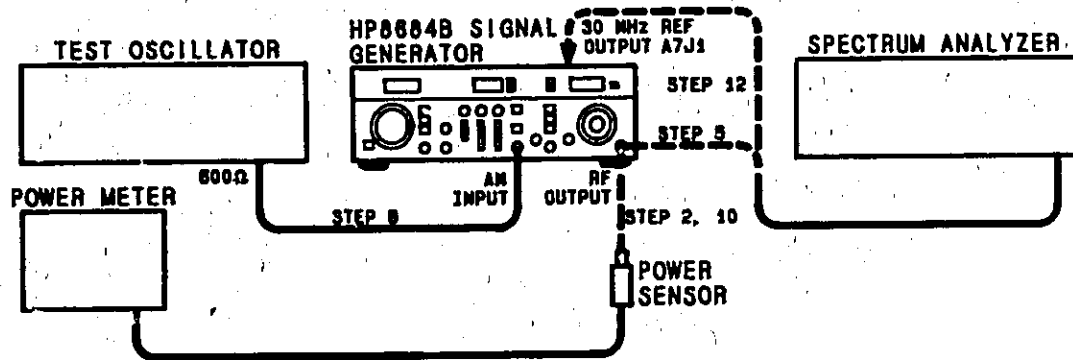


Figure 5-2. A7 ALC Reference Adjustments Setup

| | | |
|------------------|---|--------------|
| Equipment | Spectrum Analyzer | HP 8565A |
| | Test Oscillator | HP 654A |
| | Power Meter | HP 436A |
| | Power Sensor | HP 8481A |
| | Adapter (SMC male to Type-N female) | HP 1250-1163 |
| | Adapter (SMC male to BNC female) | HP 1250-0832 |

- Procedure**
1. Set the Signal Generator's frequency anywhere in its specified range.
 2. Connect the power meter and sensor to the RF OUTPUT and set the Signal Generator to read 0.0 dBm in the 0 to -10 dBm range. Adjust RF LVL, A7R26, so the power meter agrees with the front panel display as closely as possible.
 3. Set the LEVEL vernier fully counterclockwise (Signal Generator should read about -20 dBm). Adjust REF OFFSET, A7R37, for agreement between the front panel display and the power meter.
 4. Repeat steps 1 through 3 until both -20 dBm and 0 dBm settings agree with the power meter within ±0.3 dB.
 5. Connect a spectrum analyzer to the RF OUTPUT connector and set the power to 0 dBm using the LEVEL switch one position down from the maximum power position.

ADJUSTMENTS

A7 ALC REFERENCE ADJUSTMENTS (cont'd)**Procedure
(cont'd)**

6. Select EXT AM on the Signal Generator.
7. Set the AM vernier fully clockwise to the CAL position.
8. Connect the test oscillator 600 Ω output to the AM INPUT connector. Set the oscillator to 10 kHz at about 0.35 V_{rms} (0.5 V_{peak}). Adjust the output voltage of the test oscillator to obtain a modulation display of 50.0% on the Signal Generator display.
9. Adjust AM SENS, A7R10, to place the first modulation sidebands 12 dB below the carrier as viewed on the spectrum analyzer. Use 2 dB per vertical division on the spectrum analyzer for better resolution.
10. Disconnect the modulation input and turn the AM off. Connect a power meter to the RF OUTPUT connector in place of the spectrum analyzer.
11. Switch the LEVEL switch from 0 dBm to +10 dBm. Adjust the -10 dB PAD ADJ, A7R67, if necessary, to obtain a 10.0 dB level change between these two steps.
12. Connect the 30 MHz REF output, A7J1, to the spectrum analyzer using an adapter SMC male to Type-N female, HP Part Number 1250-1153 or an adapter SMC male to BNC female, HP Part Number 1250-0832. Set the spectrum analyzer to 20 MHz per division, 300 kHz bandwidth, and tune to see the 30 MHz signal and harmonics.
13. Set the LEVEL vernier fully clockwise and adjust DIST ADJ, A7C39, to place the second harmonic 35 dB below the carrier.
14. Set the LEVEL vernier counter clockwise and look at the second harmonic level. If it is not -22 dBc or better, readjust DIST ADJ to get -22 dBc. Go to the previous step to recheck the level with the vernier clockwise. Repeat these steps as necessary to obtain -35 dBc or better with the vernier clockwise and -22 dBc or better with the vernier counterclockwise. Disconnect the spectrum analyzer and reconnect the orange 30 MHz reference cable.

ADJUSTMENTS

5-9. A5 ALC CONTROL AND A6 ALC DETECTOR AMPLIFIER ADJUSTMENTS

Reference Service Sheets 7 and 8.

Description The adjustments performed here set up the ALC Control Assembly and the ALC Detector Amplifier Assembly.

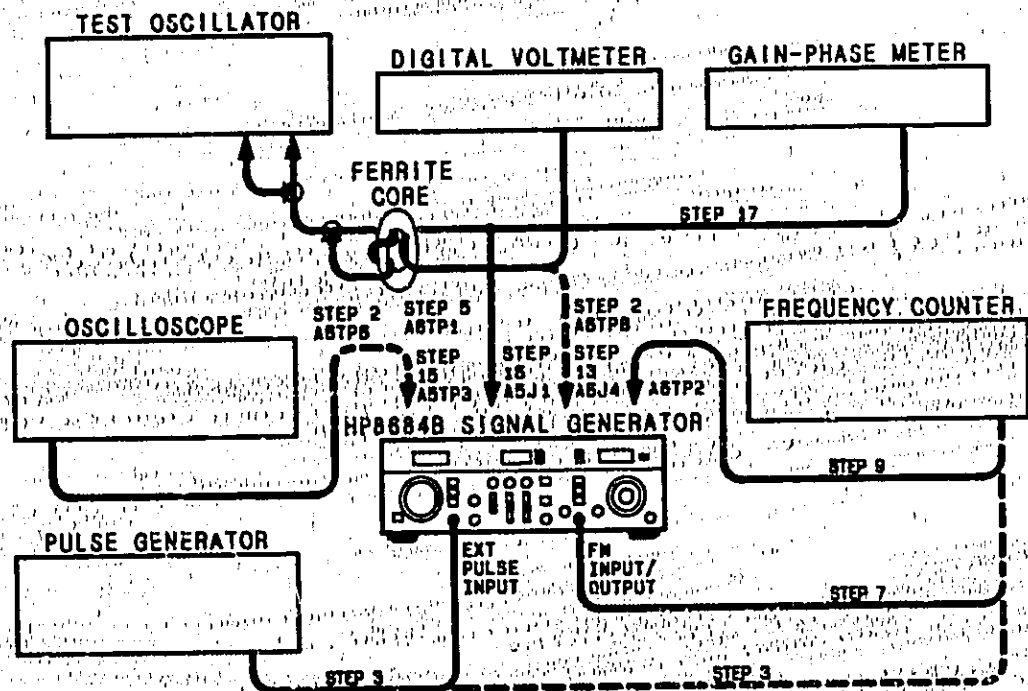


Figure 5-3. A5 ALC Control and A6 ALC Detector Amplifier Adjustments Setup

| | | |
|------------------|------------------------------|-------------------|
| Equipment | Digital Voltmeter | HP 3456A |
| | Oscilloscope | HP 1725A |
| | Frequency Counter | HP 5342A |
| | Pulse Generator | HP 8013B |
| | Test Oscillator | HP 654A |
| | 50Ω load SMA | HP 0960-0053 |
| | 50Ω load SMC (two) | HP 1250-0839 |
| | Ferrite Core | HP 9170-0441 |
| | Gain-Phase Meter | HP 3575A Opt. 001 |
| | SMC jack (straight) | HP 1250-1220 |
| | SMC plug (right angle) | HP 1250-1167 |

- Procedure**
1. Install the A6 ALC Detector Amplifier board on an extender. Set the Signal Generator for an output power of -3 dBm on the 0 to -10 dBm range.
 2. Connect the voltmeter to A6TP8 and the oscilloscope to A6TP6. Adjust OFFSET COARSE, A6R31 (see Figure 5-4) to obtain 5.9 ± 0.1 Vdc on the voltmeter.

ADJUSTMENTS

A5 ALC CONTROL AND A6 ALC DETECTOR AMPLIFIER ADJUSTMENTS (cont'd)

Procedure (cont'd)

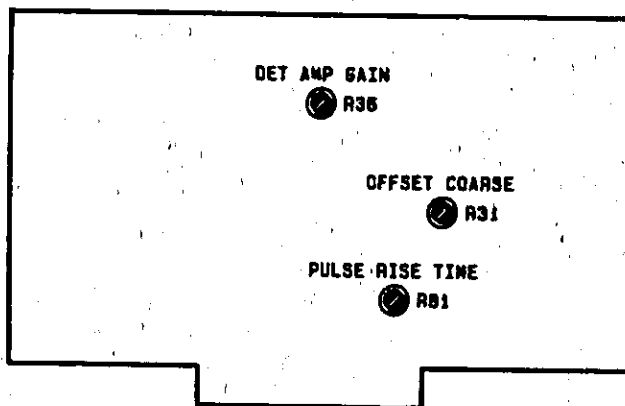


Figure 5-4. A6 Assembly Adjustment Locations

3. Apply a 5 volt peak 100 Hz square wave to the Signal Generator PULSE INPUT. Select external (EXT) PULSE on the Signal Generator.
4. Select 20 MHz bandwidth limit on the oscilloscope and adjust DET AMP GAIN A6R36 to obtain spikes less than ± 10 mV. Repeat the two previous steps until both conditions are satisfied simultaneously. Disconnect the oscilloscope and voltmeter.
5. Connect the oscilloscope to A6TP1. Set the Signal Generator frequency to less than 7.0 GHz and slowly increase it to 7.50 GHz. Adjust μ W FILTER, A6R43, until the voltage at A6TP1 just switches.
6. Again decrease the frequency until the voltage switches low. Increase the frequency until the voltage switches high. If the frequency is not 7.50 GHz, readjust μ W FILTER, A6R43, until the correct switching frequency is obtained. There is normally about 100 MHz hysteresis between the switch point going up compared to the switch point going down.
7. Connect a frequency counter to the FM INPUT/OUTPUT connector. Select FM INT (internal sawtooth) and adjust INT FM RATE, A6R42, to obtain 1 kHz on the counter.
8. Turn off FM INT.
9. Select INT 1 kHz PULSE. Connect the counter to A6TP2 and adjust INT 1 kHz, A6R6, for 1 kHz on the counter.
10. Disconnect the directional coupler (DC1) from the microwave detector (CR1), and replace it with a 50 Ω load.
11. Disconnect the orange 30 MHz REF (reference) input cable from A6J3 and the green EXT PULSE input cable from A6J2. Terminate the jacks with 50 Ω loads.
12. Reinstall the A6 board in the extrusion and secure it using all the cover screws. This is important for the next step.

ADJUSTMENTS

A5 ALC CONTROL AND A6 ALC DETECTOR AMPLIFIER ADJUSTMENTS (cont'd)

**Procedure
(cont'd)**

13. Connect the dc voltmeter to A6J4 and adjust DET AMP OFFSET, A6R48, to obtain $0 \pm 10 \mu\text{Vdc}$ at the jack.
14. Disconnect the red ALC ERROR input cable and connect a 50Ω load to A5J1. Make sure all modulation is off.
15. Connect an oscilloscope to A5TP3 and adjust OFFSET, A5R22, to obtain 0 Vdc on the oscilloscope with a drift of less than 10 mV in 10 seconds.
16. Set the test oscillator to a 100 kHz sine wave and connect it to A5 via the ferrite transformer shown in Figure 5-5.

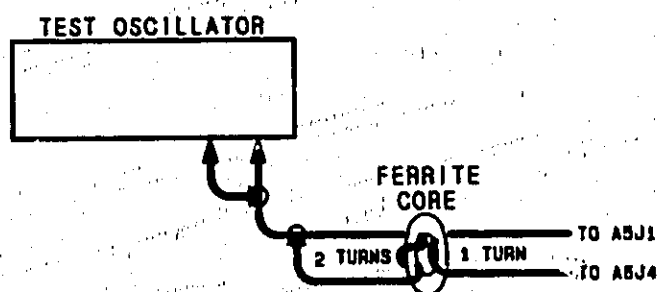


Figure 5-5. Ferrite Coupling Transformer Circuit

17. Connect the gain phase meter also to A5 via the transformer. Set both channels A and B to the 2 mV to 2V range and the 100 kHz to 1 MHz range. Set both the amplitude and phase reference to channel A.
18. Set the RF OUTPUT of the Signal Generator to 0 dBm. Adjust the test oscillator to obtain a reading of about -40 dBV on the gain phase meter.
19. Switch the gain phase meter amplitude switch to B/A. Increase the test oscillator frequency until the gain phase meter reads 0 degrees.
20. Tune the Signal Generator frequency. While tuning, keep the phase display near zero by changing the test oscillator frequency. Find the frequency where the B/A amplitude is the highest.
21. Center ALC GAIN II, A5R40, and adjust the test oscillator and ALC GAIN I, A5R4, simultaneously to obtain 0 ± 0.5 degrees and $-10 \pm 0.25 \text{ dB}$ readings on the gain phase meter. This should occur at a frequency above 600 kHz.

ADJUSTMENTS

A5 ALC CONTROL AND A6 ALC DETECTOR AMPLIFIER ADJUSTMENTS (cont'd)**Procedure
(cont'd)**

22. Set the Signal Generator to the 0 to -10 dBm position and adjust the LEVEL vernier to obtain 0.0 dBm on the LEVEL display.
23. Simultaneously adjust the test oscillator frequency and ALC GAIN I, A5R4, to obtain 0 ± 0.5 degrees and -10 ± 0.25 dB readings on the gain phase meter. This should occur at a frequency above 600 kHz.
24. Repeat the previous four steps until all conditions are met.

ADJUSTMENTS

5-10. A10 FM SHAPER ADJUSTMENTS

Reference Service Sheet 12.

Description The FM Adjustments consist of setting the operating current for the shaping circuit, setting the gain after shaping, and setting the FM level to agree with the front panel display.

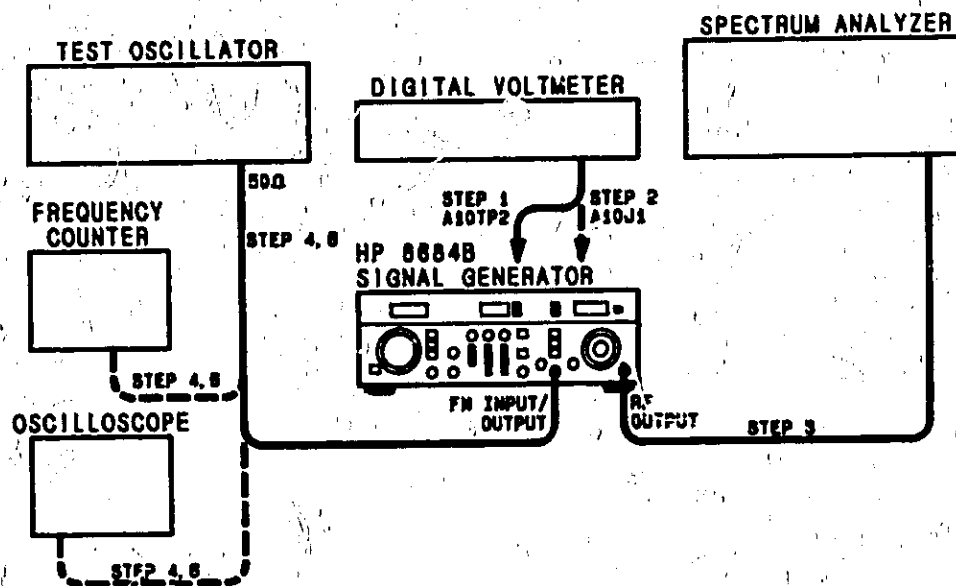


Figure 5-6. A10 FM Shaper Adjustments Setup

Equipment

| | |
|-------------------------|----------|
| Test Oscillator | HP 654A |
| Digital Voltmeter | HP 3456A |
| Oscilloscope | HP 1725A |
| Spectrum Analyzer | HP 8565A |
| Frequency Counter | HP 5342A |

Procedure

1. Connect the dc voltmeter to A10TP2 and adjust PRE DC, A10R19, for -0.95 Vdc.
2. Disconnect the cable from FM OUT connector, A10J1. Attach the voltmeter to A10J1. Adjust POST GAIN, A10R63, for -11.0 Vdc as measured at A10J1. Reconnect the cable to A10J1.
3. Set the instrument under test to 6.0 GHz at -20 dBm. Neither power level nor frequency are critical for this test. Connect a spectrum analyzer to the RF OUTPUT connector and tune the analyzer to center the carrier on the display using 1 MHz per division and 10 dB log display. Adjust the spectrum analyzer to place the carrier at the top graticule line.
4. Connect the test oscillator 50Ω output to the FM INPUT/OUTPUT connector of the Signal Generator under test. Set the test oscillator to 2.0791 MHz at about 0.35 Vrms (0.5 Vpeak). Adjust the output voltage so the modulation display on the Signal Generator reads 5.00 MHz.

ADJUSTMENTS

A10 FM SHAPER ADJUSTMENTS (cont'd)**Procedure
(cont'd)**

5. Adjust FM ATTEN, A10R12, to null the carrier on the spectrum analyzer display. The carrier should be at least 40 dB below the top graticule line.
6. Reset the output of the test oscillator to again read 5.00 MHz on the MODULATION display. Readjust FM ATTEN, A10R12, to again null the carrier on the spectrum analyzer. Repeat this step as necessary to obtain both a carrier null and an indication of 5.00 MHz deviation (making sure that the modulation frequency has not drifted).

ADJUSTMENTS

5-11. A8 I/O (INPUT/OUTPUT) ADJUSTMENTS

Reference Service Sheet 10.

Description The adjustments performed here set up the I/O Assembly.

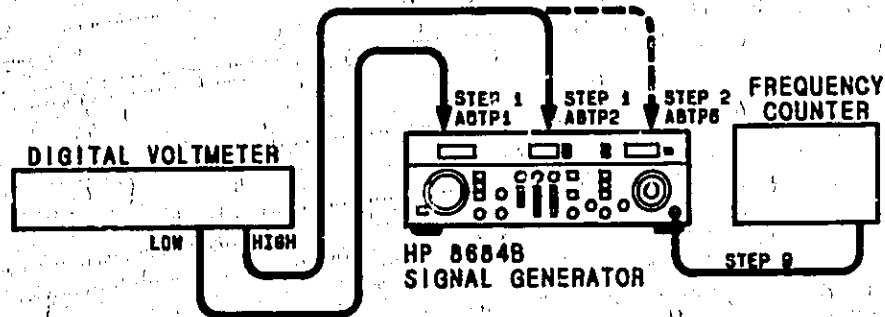


Figure 5-7. A8 I/O (Input/Output) Adjustments Setup

Equipment

- Digital Voltmeter.....HP 3456A
- Frequency Counter.....HP 5342A

Procedure

1. Connect the voltmeter return lead to analog ground A8TP1. Connect the voltmeter high lead to A8TP2. Adjust D/A REF (V REF), A8R31, to obtain 10.240 ±0.001 Vdc.
2. Connect the voltmeter to A8TP6. Set the service switch A9S1 to the DIAG (diagnostic) position and select Diagnostic Test 34. Measure the voltage. It should be approximately -10 Vdc. Note the voltage here: (subtract the absolute value of this voltage from 20.000 Vdc).

$$\begin{aligned}
 & 20.000 \text{ Vdc} \\
 - & \text{_____ Vdc} \\
 = & \text{_____ Vdc}
 \end{aligned}$$

3. Select Diagnostic Test 35. The measured voltage should match the voltage calculated in the previous step (about +10 Vdc). If the voltage is not correct adjust D/A GAIN (DAC GAIN), A8R34, to obtain the calculated voltage. The voltage difference between diagnostics 34 and 35 should be 20.000 ±0.001 Vdc. This should not be an iterative adjustment but it would be wise to double check the difference after making the adjustment.
4. Set the frequency control fully counterclockwise. Select Diagnostic Test 15 and set FREQ OFS (OFFSET), A8R20, for a display of -10.00V in the FREQUENCY display (negative numbers indicated by flashing the decimal point that is second from the left).

ADJUSTMENTS

CON'T

ADJUSTMENTS

A8 I/O (INPUT/OUTPUT) ADJUSTMENTS (cont'd)**Procedure
(cont'd)**

5. Set the frequency control fully clockwise. Adjust **FREQ GAIN**, A8R22, for a display of 10.00 volts in the **FREQUENCY** display.
6. Select Diagnostic Test 16 and adjust **F1 (FREQ 1)**, A8R12, for a display of 5.12 Vdc.
7. Select Diagnostic Test 17 and adjust **F2 (FREQ 2)**, A8R15, for a display of 5.12 Vdc.
8. Select Diagnostic Test 18 and adjust **F3 (FREQ 3)**, A8R18, for a display of 5.12 Vdc.
9. Select **NORM** (normal) mode using the service switch A9S1 located at the top of the CPU board, and connect a frequency counter to the **RF OUTPUT** connector of the Signal Generator. Set the power level to -10 dBm or other level as required to trigger the counter.
10. Set the Signal Generator frequency to obtain 5.400 GHz as displayed on the frequency counter. Readjust **FREQ OFS (OFFSET)**, A8R20, to obtain a display of 5.400 GHz on the Signal Generator's **FREQUENCY** display.
11. Set the Signal Generator to obtain 12.50 GHz on the frequency counter. Readjust **FREQ GAIN**, A8R22, to obtain a **FREQUENCY** display of 12.50 GHz.
12. Set the Signal Generator frequency so the counter reads 7.000 GHz. Readjust **F1 (FREQ 1)**, A8R12, to obtain a **FREQUENCY** display of 7.000 GHz.
13. Set the Signal Generator frequency so the counter reads 9.000 GHz. Readjust **F2 (FREQ 2)**, A8R15, to obtain a frequency display of 9.000 GHz.
14. Set the Signal Generator frequency so the counter reads 11.00 GHz. Readjust **F3 (FREQ 3)**, A8R18, to obtain a **FREQUENCY** display of 11.00 GHz.

ADJUSTMENTS

5-12. PULSE GENERATOR A2 RATE, A3 DELAY, AND A4 WIDTH ADJUSTMENTS

Reference Service Sheets 4, 5, and 6.

Description The adjustments made on these assemblies set the rate, delay, and width of the pulse generator.

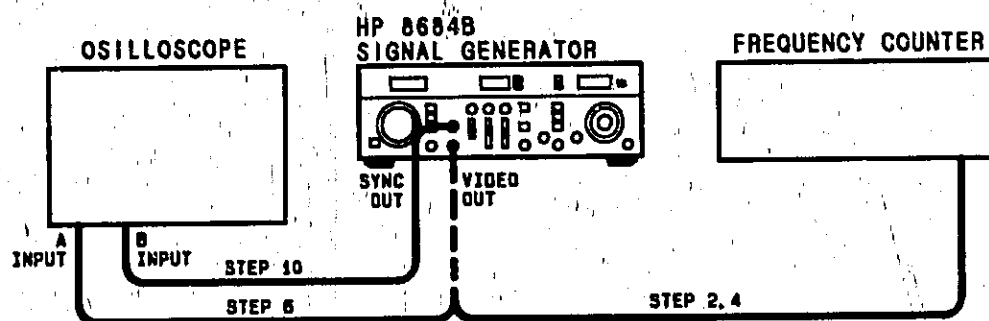


Figure 5-8. Pulse Generator A2 Rate, A3 Delay, and A4 Width Adjustments Setup

Equipment

Oscilloscope..... HP 1725A
 Frequency Counter..... HP 5342A

Procedure

1. Set the Signal Generator to 0 dBm at any frequency within the specified range. Make sure AM and FM are off.
2. Connect VIDEO OUT of the Signal Generator to the input of a frequency counter.
3. Select INT (internal) PULSE and set the RATE switch to 10 kHz, and the RATE vernier to 10. Set the DELAY switch to 0.1 μ s and the DELAY vernier to 1. Set the WIDTH switch to 1.0 μ s and the WIDTH vernier to 0.8.
4. Measure the pulse rate on the counter. Adjust the RATE vernier to obtain 100 \pm 1.0 kHz. If necessary, loosen the allen screws in the knob and slip it on the shaft until it reads 10. While adjusting the vernier knob for alignment with the marker, adjust PULSE RATE ADJ, A2C25, for 100 \pm 1.0 kHz.
5. Set the pulse controls as follows. Set the RATE switch to 1 kHz and the RATE vernier to 1. Set the DELAY switch to 0.1 μ s and the DELAY vernier to 1. Set the WIDTH switch to 100 μ s and the DELAY vernier to 1. Set the WIDTH switch to 100 μ s and the WIDTH vernier to 0.1
6. Connect the A channel of an oscilloscope to the VIDEO OUT in place of the counter. Adjust the WIDTH vernier to obtain a pulse width of 10 \pm 0.1 μ s measured from the 50% points on the pulse. If necessary, loosen the allen screws in the knob and slip it on the shaft until it reads 0.1
7. Set the pulse controls as follows. Set the RATE switch to 100 kHz and the RATE vernier to 1. Set the DELAY switch to 0.1 μ s and the DELAY vernier to 0.1. Set the WIDTH switch to 0.1 μ s and the WIDTH vernier to 0.5.

ADJUSTMENTS**PULSE GENERATOR A2 RATE, A3 DELAY, AND A4 WIDTH ADJUSTMENTS (cont'd)****Procedure
(cont'd)**

8. Adjust the PULSE WIDTH ADJ, A4C35, to obtain a pulse width of 50 ± 10 ns.
9. Set the pulse controls as follows. Set the RATE switch to 1 kHz and the RATE vernier to 1. Set the DELAY switch to $100 \mu\text{s}$ and the DELAY vernier to 0.1. Set the WIDTH switch to $10 \mu\text{s}$ and the WIDTH vernier to 1.
10. Connect the SYNC OUT connector to the B input of the oscilloscope and set the oscilloscope to trigger on the B input. Set the oscilloscope as required to observe the delay between the A and B inputs. Adjust the DELAY vernier as required to obtain a delay between the 50% points on the two pulses of $10 \pm 0.1 \mu\text{s}$. If necessary, loosen the Allen screws in the knob and slip it on the shaft so it reads 0.1. While adjusting the vernier knob for alignment with the marker, adjust PULSE DELAY ADJ, A3C33, for $10 \pm 0.1 \mu\text{s}$.
11. Set the pulse controls as follows. Set the RATE switch to 100 kHz and the RATE vernier to 1. Set the DELAY switch to $0.1 \mu\text{s}$ and the DELAY vernier to 0.1. Set the WIDTH switch to $0.1 \mu\text{s}$ and the WIDTH vernier to 0.5.
12. Observe the width of the pulse on channel A of the oscilloscope. If necessary adjust A4C35 to obtain a 50 ns pulse width.

ADJUSTMENTS

⚠ 5-13. SETTING PHYSICAL STOPS OF THE FREQUENCY TUNING MECHANISM**NOTE**

This adjustment is necessary only after disassembly of the tuning drive mechanism.

1. Push the tuning knob in and rotate clockwise until the stop is reached.
2. Rotate the tuning knob counterclockwise to the other stop while counting the number of turns. There should be about 21 turns from stop to stop.

Number of Turns too High

3. If the number of turns is too high, reset to the clockwise stop and count 21 turns counterclockwise. Loosen the set screw visible at the front of the bellows. Note the position of the tuning knob and rotate the knob to gain access to the other set screw.
4. Loosen the second set screw and carefully return the knob to the noted position.
5. Rotate the bellows clockwise with the fingers until the rear stop is reached.
6. Tighten one of the set screws and rotate the tuning knob as required to gain access to the other set screw.
7. Set the tuning mechanism to the counterclockwise stop and rotate clockwise to confirm there are approximately 21 turns stop to stop.

Number of Turns too Low

8. If the number of turns is too low, set the tuning knob to the clockwise stop, loosen the front bellows set screws and rotate the bellows counterclockwise one-half turn for each turn the tuning knob is short of 21 turns.
9. Retighten the set screws and check the number of turns. Make sure the tuning knob is at the clockwise stop before tightening the first set screw.

ADJUSTMENTS

5-14. LUBRICATION OF THE DRIVE ASSEMBLY**NOTE**

The main lubrication material used in this instrument is Molykote G-N Paste, HP Part Number 6040-0521. Molykote is a trademark of the Dow Corning Corporation. WD-40 lubricant HP Part Number 6040-0469 is also used. WD-40 is a trademark of the WD-40 Company.

Disassembly

1. Rotate the tuning shaft counterclockwise until the stop is reached. Note that an Allen set screw is accessible at the front of the bellows, this screw will be loosened second. Rotate the tuning shaft clockwise to gain access to the other set screw. Loosen the set screw two or three turns and rotate the tuning shaft counterclockwise to hit the stop again.
2. Loosen the other set screw. Remove the four Pozidriv screws from the plate on the front of the casting. The gear assembly is mounted to this plate.
3. Pull the plate out. It may be necessary to move the plate slightly to free the shaft from the bellows and to get the shaft through the bushing. This work should be done on a flat level surface. A few spacing washers may fall off when the shaft is pulled out. Save them to put back on the shaft when the unit is reassembled.

Lubrication**NOTE**

The drive train will not require lubrication very often; it will depend on the severity of the environment.

The following points are lubricated.

4. The normal and rapid tuning clutch assemblies are lubricated on their clutch surfaces with Molykote.
5. The inside diameter of the idler gear, HP Part Number 08684-20054, is lubricated with Molykote. To do this, disassemble the drive assembly.
6. All gear teeth should be lightly lubricated with Molykote.
7. The ends of all gears where they touch flat washers used as shims should be lubricated with Molykote.
8. The ball bearings that ride against the normal speed clutch assembly should be lubricated with Molykote.
9. The entire length of the lead screw should be lubricated with WD-40. The lead screw is visible behind the tuning bellows. Spray the screw with WD-40 and tune rapidly over the entire tuning range a few times to uniformly distribute the lubricant.

ADJUSTMENTS

LUBRICATION OF THE DRIVE ASSEMBLY (cont'd)**Procedure**

10. The ball at the end of the lead screw should be lubricated. Remove the oscillator from the casting and apply Molykote to the end of the lead screw and/or to the wear plate on the bellows attached to the oscillator.

Reassembly

11. Push the gear assembly straight into the casting. Make sure the index notch and index stud line up. As you are pushing the assembly in, keep a finger over the bushing through which the shaft that attaches to the bellows must pass. The bushing is easier to keep in place than to push back into place over the shaft.
12. Secure the plate to the casting with four Pozidriv screws.
13. Position the casting with the front end down. Place the spacing washers over the tuning shaft. Push the bellows over the tuning shaft as far as it will go and tighten the set screw.
14. Rotate the tuning shaft to gain access to the other set screw and tighten it.
15. Rotate the tuning shaft counterclockwise until the stop is reached. Rotate the tuning shaft clockwise and count the number of turns until the other stop is reached. There should be approximately 21 turns from stop to stop.

PARTS LIST

SECTION VI REPLACEABLE PARTS

6-1. INTRODUCTION

This section contains information for ordering parts. Table 6-1 lists part numbers for restored assemblies. Table 6-2 lists abbreviations used in the parts list and throughout the manual. Table 6-3 lists all replaceable parts in reference designator order. Table 6-4 contains the names and addresses that correspond to the manufacturer's code numbers.

6-2. ABBREVIATIONS

Table 6-2 lists abbreviations used in the parts list, schematics, and throughout the manual. In some cases, two forms of the abbreviation are used, one in all capital letters, and one partial or no capital letters. This occurs because the abbreviations in the parts list are always all capital letters. However, in the schematics and other parts of the manual, other abbreviation forms are used with both lower case and upper case letters.

6-3. REPLACEABLE PARTS LIST

Table 6-3 is the list of replaceable parts and is organized as follows:

- a. Electrical assemblies and their components in alphanumeric order by reference designation.
- b. Chassis-mounted parts in alphanumeric order by reference designation.
- c. Mechanical parts.

The information given for each part consists of the following:

- a. The Hewlett-Packard part number.
- b. Part number check digit (CD).
- c. Total quantity (Qty) used in the instrument.
- d. Part description.
- e. Five-digit code that represents a typical manufacturer.
- f. Manufacturers part number.

NOTE

The total quantity for each part is given only once, that is, at the first occurrence of the part number in the list. The total quantities for optional assemblies are totalled by assembly and not integrated into the standard list.

6-4. FACTORY SELECTED PARTS (*)

Parts marked with an asterisk (*) are factory selected parts. The value listed in the parts list is the nominal value. Refer to Sections V and VIII of this manual for information on determining what value to use for replacement.

6-5. PARTS LIST BACKDATING (†)

Parts marked with a dagger (†) are different in Signal Generators with serial number prefixes lower than the one that this manual applies to directly. Table 7-1 lists the backdating changes by serial number prefix in Section VII of this manual.

6-6. PARTS LIST UPDATING (Change Sheet)

Production changes to Signal Generators made after the publication date of this manual are accompanied by a change in the serial number prefix. Changes to the parts list are recorded by serial number prefix on a MANUAL CHANGES supplement. Also, parts list errors are noted in the ERRATA portion of the MANUAL CHANGES supplement.

6-7. ILLUSTRATED PARTS BREAKDOWN

Most mechanical parts are identified in Figures 6-1 through 6-4. These figures are located at the end of the replaceable parts table.

6-8. ORDERING INFORMATION

To order a part listed in the replaceable parts table, include the Hewlett-Packard part number (with the check digit), and the quantity required. Address the order to the nearest Hewlett-Packard office. The check digit will ensure accurate and timely processing of your order.

To order a part that is not listed in the replaceable parts table, include the instrument model number,

ORDERING INFORMATION (cont'd)

instrument serial number, description and function of the part, and the number of parts required. Address the order to the nearest Hewlett-Packard office.

NOTE

Within the USA, it is better to order directly from the HP Parts Center in Mountain View, California. Ask your nearest HP office for information and forms for the "Direct Mail Order System".

6-9. RECOMMENDED SPARES LIST

Stocking spare parts for an instrument is often done to ensure quick return to service after a malfunction occurs. Hewlett-Packard prepares a "Recommended Spares" list for this instrument. The contents of the list are based on failure reports and repair data. Quantities given are for one year of parts support. A complimentary copy of the "Rec-

ommended Spares" list may be requested from your nearest Hewlett-Packard office.

When stocking parts to support more than one Signal Generator or to support a variety of Hewlett-Packard instruments, it may be more economical to work from one consolidated list rather than simply adding together stocking quantities from the individual instrument lists. Hewlett-Packard will prepare consolidated "Recommended Spares" lists for any number or combination of instruments. Contact your nearest Hewlett-Packard office for details.

6-10. RESTORED ASSEMBLIES

Table 6-1 lists assemblies within the instrument that may be replaced on an exchange basis, thus affording a considerable cost saving. Exchange, factory-repaired and tested assemblies are available only on a trade-in basis; therefore, the defective assemblies must be returned for credit. For this reason, assemblies required for spare parts stock must be ordered by the new assembly part number.

Table 6-1. Part Numbers for Restored Assemblies

| Reference Designation | Description | Part Number ¹ | |
|-----------------------|---|--------------------------|--------------|
| | | Restored Assembly | New Assembly |
| A14 | Microwave Oscillator (with EPROM) | 08684-67207 | 08684-67017† |
| | Microwave Output Assembly (includes DC1, AT1, CR1, and EPROM) | 08684-60054 | 08684-60053 |

¹ When ordering extra assemblies for spare parts stock, use new assembly part number only. Restored orders require return of the defective part.
 † Indicates component change. See Section VII.

Table 6-2. Reference Designations and Abbreviations (1 of 2)

REFERENCE DESIGNATIONS

| | | | |
|---|---|--|---|
| A assembly | E miscellaneous electrical part | P electrical connector (movable portion); plug | U integrated circuit; microcircuit |
| AT attenuator; isolator; termination | F fuse | Q transistor; SCR; triode thyristor | V electron tube |
| B fan; motor | FL filter | R resistor | VR voltage regulator; breakdown diode |
| BT battery | H hardware | RT thermistor | W cable; transmission path; wire |
| C capacitor | HY circulator | S switch | X socket |
| CP coupler | J electrical connector (stationary portion); jack | T transformer | Y crystal unit (piezo-electric or quartz) |
| CR diode; diode thyristor; varactor | K relay | TB terminal board | Z tuned cavity; tuned circuit |
| DC directional coupler | L coil; inductor | TC thermocouple | |
| DL delay line | M meter | TP test point | |
| DS annunciator; signaling device (audible or visual); lamp; LED | MP miscellaneous mechanical part | | |

ABBREVIATIONS

| | | | |
|---|---|--|--|
| A ampere | COEF coefficient | EDP electronic data processing | INT internal |
| ac alternating current | COM common | ELECT electrolytic | kg kilogram |
| ACCESS accessory | COMP composition | ENCAP encapsulated | kHz kilohertz |
| ADJ adjustment | COMPL complete | EXT external | kΩ kilohm |
| A/D analog-to-digital | CONN connector | F farad | kV kilovolt |
| AF audio frequency | CP cadmium plate | FET field-effect transistor | lb pound |
| AFC automatic frequency control | CRT cathode-ray tube | F/F flip-flop | LC inductance-capacitance |
| AGC automatic gain control | CTL complementary transistor logic | FH flat head | LED light-emitting diode |
| AL aluminum | CW continuous wave | FIL H fillister head | LF low frequency |
| ALC automatic level control | cm centimeter | FM frequency modulation | LG long |
| AM amplitude modulation | D/A digital-to-analog | FP front panel | LH left hand |
| AMPL amplifier | dB decibel | FREQ frequency | LIM limit |
| APC automatic phase control | dBm decibel referred to 1 mW | FXD fixed | LIN linear taper (used in parts list) |
| ASSY assembly | dc direct current | g gram | lin linear |
| AUX auxiliary | deg degree (temperature interval or difference) | GE germanium | LK WASH lock washer |
| AVG average | ° degree (plane angle) | GHz gigahertz | LO low; local oscillator |
| AWG American wire gauge | °C degree Celsius (centigrade) | GL glass | LOG logarithmic taper (used in parts list) |
| BAL balance | °F degree Fahrenheit | GRD ground(e ³) | log logarithm(ic) |
| BCD binary coded decimal | °K degree Kelvin | H henry | LPF low pass filter |
| BD board | DEPC deposited carbon | h hour | LV low voltage |
| BE CU beryllium copper | DET detector | HET heterodyne | m meter (distance) |
| BFO beat frequency oscillator | diam diameter | HEX hexagonal | mA milliampere |
| BH binder head | DIA diameter (used in parts list) | HD head | MAX maximum |
| BKDN breakdown | DIFF AMPL differential amplifier | HDW hardware | MΩ megohm |
| BP bandpass | div division | HF high frequency | MEG meg (10 ⁶) (used in parts list) |
| BPF bandpass filter | DPDT double-pole, double-throw | HG mercury | MET FLM metal film |
| BRS brass | DR drive | HI high | MET OX metallic oxide |
| BWO backward-wave oscillator | DSB double sideband | HP Hewlett-Packard | MF medium frequency; microfarad (used in parts list) |
| CAL calibrate | DTL diode transistor logic | HPF high pass filter | MFR manufacturer |
| ccw counter-clockwise | DVM digital voltmeter | HR hour (used in parts list) | mg milligram |
| CER ceramic | ECL emitter coupled logic | HV high voltage | MHz megahertz |
| CHAN channel | EMF electromotive force | Hz Hertz | mH millihenry |
| cm centimeter | | IC integrated circuit | mho mho |
| CMO cabinet mount only | | ID inside diameter | MIN minimum |
| COAX coaxial | | IF intermediate frequency | min minute (time) |
| | | IMPG impregnated | minute (plane angle) |
| | | in inch | MINAT miniature |
| | | INCD incandescent | mm millimeter |
| | | INCL include(s) | |
| | | INP input | |
| | | INS insulation | |

NOTE

All abbreviations in the parts list will be in upper-case.

Table 6-2. Reference Designations and Abbreviations (2 of 2)

| | | | |
|---|---|---|--|
| MOD modulator | OD outside diameter | PWV peak working voltage | TD time delay |
| MOM momentary | OH oval head | RC resistance-capacitance | TERM terminal |
| MOS metal-oxide semiconductor | OP AMPL operational amplifier | RECT rectifier | TFT thin-film transistor |
| ms millisecond | OPT option | REF reference | TGL toggle |
| MTG mounting | OSC oscillator | REG regulated | THD thread |
| MTR meter (indicating device) | OX oxide | REPL replaceable | THRU through |
| mV millivolt | oz ounce | RF radio frequency | TI titanium |
| mVac millivolt, ac | Ω ohm | RFI radio frequency interference | TOL tolerance |
| mVdc millivolt, dc | P peak (used in parts list) | RH round head; right hand | TRIM trimmer |
| mVpk millivolt, peak | PAM pulse-amplitude modulation | RLC resistance-inductance-capacitance | TSTR transistor |
| mVp-p millivolt, peak-to-peak | PC printed circuit | RMO rack mount only | TTL transistor-transistor logic |
| mVrms millivolt, rms | PCM pulse-code modulation; pulse-count modulation | rms root-mean-square | TV television |
| mW milliwatt | PDM pulse-duration modulation | RND round | TVI television interference |
| MUX multiplex | PF picofarad | ROM read-only memory | TWT traveling wave tube |
| MY mylar | PH BRZ phosphor bronze | R&P rack and panel | U micro (10^6) (used in parts list) |
| μ A microampere | PHL Phillips | RWV reverse working voltage | UF microfarad (used in parts list) |
| μ F microfarad | PIN positive-intrinsic-negative | S scattering parameter | UHF ultrahigh frequency |
| μ H microhenry | PIV peak inverse voltage | s second (time) | UNREG unregulated |
| μ mho micromho | pk peak | " second (plane angle) | V volt |
| μ s microsecond | PL phase lock | S-B slow-blow (fuse) (used in parts list) | VA voltampere |
| μ V microvolt | PLO phase lock oscillator | SCR silicon controlled rectifier; screw | Vac volts, ac |
| μ Vac microvolt, ac | PM phase modulation | SE selenium | VAR variable |
| μ Vdc microvolt, dc | PNP positive-negative-positive | SECT sections | VCO voltage-controlled oscillator |
| μ Vpk microvolt, peak | P/O part of | SEMICON semiconductor | Vdc volts, dc |
| μ Vp-p microvolt, peak-to-peak | POLY polystyrene | SHF superhigh frequency | VDCW volts, dc, working (used in parts list) |
| μ Vrms microvolt, rms | PORC porcelain | SI silicon | V(F) volts, filtered |
| μ W microwatt | POS positive; position(s) (used in parts list) | SIL silver | VFO variable-frequency oscillator |
| nA nanoampere | POSN position | SL slide | VHF very-high frequency |
| NC no connection | POT potentiometer | SNR signal-to-noise ratio | Vpk volts, peak |
| N/C normally closed | P-P peak-to-peak | SPDT single-pole, double-throw | Vp-p volts, peak-to-peak |
| NE neon | PP peak-to-peak (used in parts list) | SPG spring | Vrms volts, rms |
| NEG negative | PPM pulse-position modulation | SR split ring | VSWR voltage standing wave ratio |
| nF nanofarad | PREAMPL preamplifier | SPST single-pole, single-throw | VTO voltage-tuned oscillator |
| nI PL nickel plate | PRF pulse-repetition frequency | SSB single sideband | VTVM vacuum-tube voltmeter |
| N/O normally open | PRR pulse repetition rate | SST stainless steel | V(X) volts, switched |
| NOM nominal | ps picosecond | STL steel | W watt |
| NORM normal | PT point | SQ square | W/ with |
| NPN negative-positive-negative | PTM pulse-time modulation | SWR standing-wave ratio | WIV working inverse voltage |
| NPO negative-positive zero (zero temperature coefficient) | PWM pulse-width modulation | SYNC synchronize | WW wirewound |
| NRFR not recommended for field replacement | | T timed (slow-blow fuse) | W/O without |
| NSR not separately replaceable | | TA tantalum | YIG yttrium-iron-garnet |
| ns nanosecond | | TC temperature compensating | Z ₀ characteristic impedance |
| nW nanowatt | | | |
| OBD order by description | | | |

NOTE

All abbreviations in the parts list will be in upper-case.

MULTIPLIERS

| Abbreviation | Prefix | Multiple |
|--------------|--------|-------------------|
| T | tera | 10 ¹² |
| G | giga | 10 ⁹ |
| M | mega | 10 ⁶ |
| k | kilo | 10 ³ |
| da | deka | 10 |
| d | deci | 10 ⁻¹ |
| c | centi | 10 ⁻² |
| m | milli | 10 ⁻³ |
| μ | micro | 10 ⁻⁶ |
| n | nano | 10 ⁻⁹ |
| p | pico | 10 ⁻¹² |
| f | femto | 10 ⁻¹⁵ |
| a | atto | 10 ⁻¹⁸ |

Table 6-3. Replaceable Parts

| Reference Designation | HP Part Number | C D | Qty | Description | Mfr Code | Mfr Part Number | |
|-----------------------|----------------|-----|--|--|--|-----------------|-----------|
| A1 | 06684-60002 | 6 | 7 | FRONT PANEL BOARD | 28480 | 06684-60002 | |
| A1C1 | 0180-2620 | 6 | 25 | CAPACITOR-FXD 2.2UF+-10% 50VDC TA | 25088 | D2R2GS1B50K | |
| A1C2 | 0180-2620 | 6 | | CAPACITOR-FXD 2.2UF+-10% 50VDC TA | 25088 | D2R2GS1B50K | |
| A1C3 | 0180-2620 | 6 | | CAPACITOR-FXD 2.2UF+-10% 50VDC TA | 25088 | D2R2GS1B50K | |
| A1C4 | 0180-2620 | 6 | | CAPACITOR-FXD 2.2UF+-10% 50VDC TA | 25088 | D2R2GS1B50K | |
| A1C5 | 0180-2620 | 6 | | CAPACITOR-FXD 2.2UF+-10% 50VDC TA | 25088 | D2R2GS1B50K | |
| A1C6 | 0180-2620 | 6 | | CAPACITOR-FXD 2.2UF+-10% 50VDC TA | 25088 | D2R2GS1B50K | |
| A1C7 | 0180-2620 | 6 | | CAPACITOR-FXD 2.2UF+-10% 50VDC TA | 25088 | D2R2GS1B50K | |
| A1CR1 | 1901-0050 | 3 | 63 | DIODE-SWITCHING 80V 200MA 2NS DO-35 | 28480 | 1901-0050 | |
| A1DS1 | 1990-0511 | 8 | 10 | DISPLAY-NUM-SEG 1-CHAR .43-H | 28480 | 5082-7750 | |
| A1DS2 | 1990-0511 | 8 | | DISPLAY-NUM-SEG 1-CHAR .43-H | 28480 | 5082-7750 | |
| A1DS3 | 1990-0511 | 8 | | DISPLAY-NUM-SEG 1-CHAR .43-H | 28480 | 5082-7750 | |
| A1DS4 | 1990-0511 | 8 | | DISPLAY-NUM-SEG 1-CHAR .43-H | 28480 | 5082-7750 | |
| A1DS5- A1DS7 | | | 3 | NOT ASSIGNED | | | |
| A1DS8 | 1990-0511 | 8 | 1 | DISPLAY-NUM-SEG 1-CHAR .43-H | 28480 | 5082-7750 | |
| A1DS9 | 1990-0511 | 8 | | DISPLAY-NUM-SEG 1-CHAR .43-H | 28480 | 5082-7750 | |
| A1DS10 | 1990-0511 | 8 | | DISPLAY-NUM-SEG 1-CHAR .43-H | 28480 | 5082-7750 | |
| A1DS11 | 1990-0752 | 9 | | DISPLAY-AN-SEG 1-CHAR .408-H RED | 28480 | 5082-7756 | |
| A1DS12 | 1990-0511 | 8 | | DISPLAY-NUM-SEG 1-CHAR .43-H | 28480 | 5082-7750 | |
| A1DS13 | 1990-0511 | 8 | | DISPLAY-NUM-SEG 1-CHAR .43-H | 28480 | 5082-7750 | |
| A1DS14 | 1990-0511 | 8 | | DISPLAY-NUM-SEG 1-CHAR .43-H | 28480 | 5082-7750 | |
| A1DS15 | | | | | NOT ASSIGNED | | |
| A1DS16 | 1990-0665 | 3 | | 18 | LED-LAMP LUM-INT-1MCD IF=20MA-MAX BVR=5V | 28480 | 1990-0665 |
| A1DS17 | 1990-0665 | 3 | | | LED-LAMP LUM-INT-1MCD IF=20MA-MAX BVR=5V | 28480 | 1990-0665 |
| A1DS18 | 1990-0665 | 3 | | 3 | LED-LAMP LUM-INT-1MCD IF=20MA-MAX BVR=5V | 28480 | 1990-0665 |
| A1DS19 | 1990-0665 | 3 | | | LED-LAMP LUM-INT-1MCD IF=20MA-MAX BVR=5V | 28480 | 1990-0665 |
| A1DS20 | 1990-0665 | 3 | LED-LAMP LUM-INT-1MCD IF=20MA-MAX BVR=5V | | 28480 | 1990-0665 | |
| A1DS21 | 1990-0665 | 3 | LED-LAMP LUM-INT-1MCD IF=20MA-MAX BVR=5V | | 28480 | 1990-0665 | |
| A1DS22 | 1990-0665 | 3 | LED-LAMP LUM-INT-1MCD IF=20MA-MAX BVR=5V | | 28480 | 1990-0665 | |
| A1DS23 | 1990-0665 | 3 | LED-LAMP LUM-INT-1MCD IF=20MA-MAX BVR=5V | | 28480 | 1990-0665 | |
| A1DS24 | 1990-0665 | 3 | LED-LAMP LUM-INT-1MCD IF=20MA-MAX BVR=5V | | 28480 | 1990-0665 | |
| A1DS25 | 1990-0665 | 3 | LED-LAMP LUM-INT-1MCD IF=20MA-MAX BVR=5V | | 28480 | 1990-0665 | |
| A1DS26 | 1990-0665 | 3 | LED-LAMP LUM-INT-1MCD IF=20MA-MAX BVR=5V | | 28480 | 1990-0665 | |
| A1DS27 | 1990-0665 | 3 | LED-LAMP LUM-INT-1MCD IF=20MA-MAX BVR=5V | | 28480 | 1990-0665 | |
| A1DS28 | 1990-0665 | 3 | 2 | | LED-LAMP LUM-INT-1MCD IF=20MA-MAX BVR=5V | 28480 | 1990-0665 |
| A1DS29 | 1990-0665 | 3 | | | LED-LAMP LUM-INT-1MCD IF=20MA-MAX BVR=5V | 28480 | 1990-0665 |
| A1DS30 | 1990-0665 | 3 | | | LED-LAMP LUM-INT-1MCD IF=20MA-MAX BVR=5V | 28480 | 1990-0665 |
| A1DS31 | 1990-0486 | 6 | | | LED-LAMP LUM-INT-1MCD IF=20MA-MAX BVR=5V | 28480 | 5082-4684 |
| A1DS32 | 1990-0665 | 3 | | | LED-LAMP LUM-INT-1MCD IF=20MA-MAX BVR=5V | 28480 | 1990-0665 |
| A1DS33 | 1990-0665 | 3 | 3 | | LED-LAMP LUM-INT-1MCD IF=20MA-MAX BVR=5V | 28480 | 1990-0665 |
| A1DS34 | | | | NOT ASSIGNED | | | |
| A1DS35 | 1990-0486 | 6 | | LED-LAMP LUM-INT-1MCD IF=20MA-MAX BVR=5V | 28480 | 5082-4684 | |
| A1DS36 | 1990-0665 | 3 | LED-LAMP LUM-INT-1MCD IF=20MA-MAX BVR=5V | 28480 | 1990-0665 | | |
| A1J1 | 1251-5720 | 5 | 5 | CONNECTOR 34-PIN H POST TYPE | 28480 | 1251-5720 | |
| A1J2 | 1251-5720 | 5 | | CONNECTOR 34-PIN H POST TYPE | 28480 | 1251-5720 | |
| A1L1 | 9100-1613 | 6 | 4 | INDUCTOR RF-CH-PLD 470NH 20% | 28480 | 9100-1613 | |
| A1MP1 | 5041-0385 | 7 | 5 | KEY CAP-HALF 'XAN' | 28480 | 5041-0385 | |
| A1MP2 | 5041-0385 | 7 | | KEY CAP-HALF 'MHz FM' | 28480 | 5041-0385 | |
| A1MP3 | 5041-0385 | 7 | | KEY CAP-HALF 'dB REL' | 28480 | 5041-0385 | |
| A1MP4 | 5041-0385 | 7 | | KEY CAP-HALF 'CABLE OFFSET' | 28480 | 5041-0385 | |
| A1MP5 | 5041-0385 | 7 | | KEY CAP-HALF 'dBm' | 28480 | 5041-0385 | |
| A1MP6 | 5041-0352 | 8 | 8 | KEY CAP-HALF 'INT PULSE' | 28480 | 5041-0352 | |
| A1MP7 | 5041-0352 | 8 | | KEY CAP-HALF 'EXT TRIG' | 28480 | 5041-0352 | |
| A1MP8 | 5041-0352 | 8 | | KEY CAP-HALF 'EXT PULSE' | 28480 | 5041-0352 | |
| A1MP9 | | | | NOT ASSIGNED | | | |
| A1MP10 | | | | NOT ASSIGNED | | | |
| A1MP11 | | | 8 | NOT ASSIGNED | | | |
| A1MP12 | 5041-0352 | 8 | | KEY CAP-HALF 'INT 1 kHz' | 28480 | 5041-0352 | |
| A1MP13 | 5041-0352 | 8 | | KEY CAP-HALF 'EXT' | 28480 | 5041-0352 | |
| A1MP14 | 5041-0352 | 8 | | KEY CAP-HALF 'INT' | 28480 | 5041-0352 | |
| A1MP15 | 5041-0352 | 8 | | KEY CAP-HALF 'EXT 1 MHz/V' | 28480 | 5041-0352 | |

See introduction to this section for ordering information
 *Indicates factory selected value
 †Backdating information in Section VII

Table 6-3. Replaceable Parts

| Reference Designation | HP Part Number | C D | Qty | Description | Mfr Code | Mfr Part Number |
|-----------------------|----------------|-----|-----|---|----------|----------------------|
| A1MP16 | 5041-0352 | 8 | | KEY CAP-HALF 'EXT 10 MHZ/V | 28480 | 5041-0352 |
| A1MP17 | 0361-0028 | 8 | 12 | RIVET-SEMITUB OVH .089 DIA .312 LG | 00000 | ORDER BY DESCRIPTION |
| A1MP18 | 0890-0096 | 1 | | TUBING-FLEX .04-ID TFE .016-WALL | 28480 | 0890-0096 |
| A1MP19 | 8190-1022 | 8 | | WIRE-MAG RND 22-AWG 105C CU | 28480 | 8190-1022 |
| A1MP20 | 5020-3440 | 7 | 3 | SPRING-DETENT | 28480 | 5020-3440 |
| A1MP21 | 08684-20047 | 5 | 4 | GUIDE-FRONT PANEL BOARD | 28480 | 08684-2CJ47 |
| A1Q1 | 1853-0007 | 7 | 1 | TRANSISTOR PNP 2N3251 SI TO-18 PD=360MW | 04713 | 2N3251 |
| A1R1 | 0757-0401 | 0 | 25 | RESISTOR 100 1% .125W F TC=0+-100 | 24546 | C4-1/8-T0-101-F |
| A1R2 | 0698-3155 | 1 | | RESISTOR 4.64K 1% .125W F TC=0+-100 | 24546 | C4-1/8-T0-4641-F |
| A1R3 | 1810-0279 | 5 | 2 | NETWORK-RES 10-SIP4.7K OHM X 9 | 01121 | 210A472 |
| A1R4 | 1810-0279 | 5 | | NETWORK-RES 10-SIP4.7K OHM X 9 | 01121 | 210A472 |
| A1R5 | 1810-0282 | 0 | 5 | NETWORK-RES 10-SIP220.0K OHM X 9 | 01121 | 210A224 |
| A1R6 | 0698-3453 | 2 | 5 | RESISTOR 196K 1% .125W F TC=0+-100 | 24546 | C4-1/8-T0-1963-F |
| A1R7 | 0698-3453 | 2 | | RESISTOR 196K 1% .125W F TC=0+-100 | 24546 | C4-1/8-T0-1963-F |
| A1R8 | 0698-3453 | 2 | | RESISTOR 196K 1% .125W F TC=0+-100 | 24546 | C4-1/8-T0-1963-F |
| A1R9 | 1810-0203 | 5 | 1 | NETWORK-RES 8-SIP470.0 OHM X 7 | 01121 | 208A471 |
| A1R10 | 1810-0330 | 8 | 1 | NETWORK-RES 16-DIP470.0 OHM X 8 | 01121 | 316B471 |
| A1R11 | 0698-0082 | 7 | 3 | RESISTOR 464 1% .125W F TC=0+-100 | 24546 | C4-1/8-T0-4640-F |
| A1R12 | 0698-3438 | 3 | 5 | RESISTOR 147 1% .125W F TC=0+-100 | 24546 | C4-1/8-T0-147R-F |
| A1R13 | 0757-0403 | 2 | 6 | RESISTOR 121 1% .125W F TC=0+-100 | 24546 | C4-1/8-T0-121R-F |
| A1R14 | 0698-3132 | 4 | 7 | RESISTOR 261 1% .125W F TC=0+-100 | 24546 | C4-1/8-T0-2610-F |
| A1R15 | 0698-3132 | 4 | | RESISTOR 261 1% .125W F TC=0+-100 | 24546 | C4-1/8-T0-2610-F |
| A1R16 | 0698-3437 | 2 | 15 | RESISTOR 133 1% .125W F TC=0+-100 | 24546 | C4-1/8-T0-133R-F |
| A1R17 | 0698-3437 | 2 | | RESISTOR 133 1% .125W F TC=0+-100 | 24546 | C4-1/8-T0-133R-F |
| A1R18 | 0698-3437 | 2 | | RESISTOR 133 1% .125W F TC=0+-100 | 24546 | C4-1/8-T0-133R-F |
| A1R19 | 0698-3437 | 2 | | RESISTOR 133 1% .125W F TC=0+-100 | 24546 | C4-1/8-T0-133R-F |
| A1R20 | 0698-3437 | 2 | | RESISTOR 133 1% .125W F TC=0+-100 | 24546 | C4-1/8-T0-133R-F |
| A1R21 | 0698-3437 | 2 | | RESISTOR 133 1% .125W F TC=0+-100 | 24546 | C4-1/8-T0-133R-F |
| A1R22 | 2100-3907 | 8 | 3 | RESISTOR-VAR CONTROL CP 2.5K 5X LIN | 28480 | 2100-3907 |
| | 2190-0067 | 4 | 4 | WASHER-LK INTL T 1/4 IN .256-IN-ID | 28480 | 2190-0067 |
| | 2950-0006 | 3 | 4 | NUT-HEX-DBL-CHAM 1/4-32-THD .094-IN-THK | 00000 | ORDER BY DESCRIPTION |
| A1R23 | 0698-3439 | 4 | 2 | RESISTOR 178 1% .125W F TC=0+-100 | 24546 | C4-1/8-T0-178R-F |
| A1R24 | 0698-3442 | 8 | 6 | RESISTOR 237 1% .125W F TC=0+-100 | 24546 | C4-1/8-T0-237R-F |
| A1R25 | 2100-3907 | 8 | | RESISTOR-VAR CONTROL CP 2.5K 5X LIN | 28480 | 2100-3907 |
| | 2190-0067 | 4 | | WASHER-LK INTL T 1/4 IN .256-IN-ID | 28480 | 2190-0067 |
| | 2950-0006 | 3 | | NUT-HEX-DBL-CHAM 1/4-32-THD .094-IN-THK | 00000 | ORDER BY DESCRIPTION |
| A1R26 | 0698-3435 | 0 | 1 | RESISTOR 38.3 1% .125W F TC=0+-100 | 24546 | C4-1/8-T0-3833-F |
| A1R27 | 2100-3907 | 8 | | RESISTOR-VAR CONTROL CP 2.5K 5X LIN | 28480 | 2100-3907 |
| | 2190-0067 | 4 | | WASHER-LK INTL T 1/4 IN .256-IN-ID | 28480 | 2190-0067 |
| | 2950-0006 | 3 | | NUT-HEX-DBL-CHAM 1/4-32-THD .094-IN-THK | 00000 | ORDER BY DESCRIPTION |
| A1S1 | 5060-9436 | 7 | 13 | PUSHBUTTON SWITCH P.C. MOUNT | 28480 | 5060-9436 |
| A1S2 | 5060-9436 | 7 | | PUSHBUTTON SWITCH P.C. MOUNT | 28480 | 5060-9436 |
| A1S3 | 5060-9436 | 7 | | PUSHBUTTON SWITCH P.C. MOUNT | 28480 | 5060-9436 |
| A1S4 | 5060-9436 | 7 | | PUSHBUTTON SWITCH P.C. MOUNT | 28480 | 5060-9436 |
| A1S5 | 5060-9436 | 7 | | PUSHBUTTON SWITCH P.C. MOUNT | 28480 | 5060-9436 |
| A1S6 | 5060-9436 | 7 | | PUSHBUTTON SWITCH P.C. MOUNT | 28480 | 5060-9436 |
| A1S7 | 5060-9436 | 7 | | PUSHBUTTON SWITCH P.C. MOUNT | 28480 | 5060-9436 |
| A1S8 | 5060-9436 | 7 | | PUSHBUTTON SWITCH P.C. MOUNT | 28480 | 5060-9436 |
| A1S9 | 08684-60031 | 1 | 1 | SLIDE SWITCH ASSEMBLY (RATE) | 28480 | 08684-60031 |
| A1S10 | 08684-60032 | 2 | 2 | SLIDE SWITCH ASSEMBLY (DELAY) | 28480 | 08684-60032 |
| A1S11 | 08684-60032 | 2 | | SLIDE SWITCH ASSEMBLY (WIDTH) | 28480 | 08684-60032 |
| A1S12 | 5060-9436 | 7 | | PUSHBUTTON SWITCH P.C. MOUNT | 28480 | 5060-9436 |
| A1S13 | 5060-9436 | 7 | | PUSHBUTTON SWITCH P.C. MOUNT | 28480 | 5060-9436 |
| A1S14 | 5060-9436 | 7 | | PUSHBUTTON SWITCH P.C. MOUNT | 28480 | 5060-9436 |
| A1S15 | 5060-9436 | 7 | | PUSHBUTTON SWITCH P.C. MOUNT | 28480 | 5060-9436 |
| A1S16 | 5060-9436 | 7 | | PUSHBUTTON SWITCH P.C. MOUNT | 28480 | 5060-9436 |
| A1U1 | | | | NOT ASSIGNED | | |
| A1U2 | 1820-1361 | 8 | 10 | IC DCDR TTL BCD-T0-7-SEG 4-T0-7-LINE | 07263 | 9374PC |
| A1U3 | 1820-1361 | 8 | | IC DCDR TTL BCD-T0-7-SEG 4-T0-7-LINE | 07263 | 9374PC |
| A1U4 | 1820-1361 | 8 | | IC DCDR TTL BCD-T0-7-SEG 4-T0-7-LINE | 07263 | 9374PC |
| A1U5 | 1820-1300 | 6 | 3 | IC SHF-RGTR TTL LS R-S PRL-IN PPL-OUT | 01295 | SN74LS195AN |

See introduction to this section for ordering information
 *Indicates factory selected value
 †Backdating information in Section VII

Table 6-3. Replaceable Parts

| Reference Designation | HP Part Number | C D | Qty | Description | Mfr Code | Mfr Part Number | |
|-----------------------|----------------|-----|--|---|--|--------------------|-----------|
| A1U6 | 1820-1730 | 6 | 7 | IC FF TTL LS D-TYPE POS-EDGE-TRIG COM | 01295 | 5N74LS273N | |
| A1U7 | 1820-1361 | 9 | | IC DCDR TTL BCD-TO-7-SEG 4-TO-7-LINE | 07263 | 9374PC | |
| A1U8 | 1820-1361 | 9 | | NOT ASSIGNED | | | |
| A1U9 | 1820-1361 | 9 | | IC DCDR TTL BCD-TO-7-SEG 4-TO-7-LINE | 07263 | 9374PC | |
| A1U10 | 1820-1361 | 9 | | IC DCDR TTL BCD-TO-7-SEG 4-TO-7-LINE | 07263 | 9374PC | |
| A1U11 | 1820-1361 | 9 | | IC DCDR TTL BCD-TO-7-SEG 4-TO-7-LINE | 07263 | 9374PC | |
| A1U12 | 1820-1361 | 9 | | IC DCDR TTL BCD-TO-7-SEG 4-TO-7-LINE | 07263 | 9374PC | |
| A1U13 | 1820-1730 | 6 | | IC FF TTL LS D-TYPE POS-EDGE-TRIG COM | 01295 | 5N74LS273N | |
| A1U14 | 1820-1361 | 9 | | IC DCDR TTL BCD-TO-7-SEG 4-TO-7-LINE | 07263 | 9374PC | |
| A1U15 | 1820-1361 | 9 | | IC DCDR TTL BCD-TO-7-SEG 4-TO-7-LINE | 07263 | 9374PC | |
| A1U16 | 1820-1416 | 5 | | 1 | IC SCHMITT-TRIG TTL LS INV HEX 1-INP | 01295 | 5N74LS14N |
| A1U17 | 1820-1216 | 3 | IC DCDR TTL LS 3-TO-8-LINE 3-INP | | 01295 | 5N74LS138N | |
| A1U18 | 1820-1216 | 3 | IC DCDR TTL LS 3-TO-8-LINE 3-INP | | 01295 | 5N74LS138N | |
| A1U19 | | | NOT ASSIGNED | | | | |
| A1U20 | | | NOT ASSIGNED | | | | |
| A1U21 | 1820-1300 | 6 | 1 | IC SHF-RGTR TTL LS R-S PRL-IN PRL-OUT | 01295 | 5N74LS195AN | |
| A1U22 | 1820-1300 | 6 | | IC SHF-RGTR TTL LS R-S PRL-IN PRL-OUT | 01295 | 5N74LS195AN | |
| A1U23 | 1820-1730 | 6 | | IC FF TTL LS D-TYPE POS-EDGE-TRIG COM | 01295 | 5N74LS273N | |
| A1U24 | 1820-1975 | 1 | | IC SHF-RGTR TTL LS NEG-EDGE-TRIG PRL-IN | 01295 | 5N74LS165N | |
| A1XA1DS1 | 1200-0803 | 8 | 11 | SOCKET-IC 14-CONT DIP DIP-SLDR | 28480 | 1200-0803 | |
| A1XA1DS2 | 1200-0803 | 8 | | SOCKET-IC 14-CONT DIP DIP-SLDR | 28480 | 1200-0803 | |
| A1XA1DS3 | 1200-0803 | 8 | | SOCKET-IC 14-CONT DIP DIP-SLDR | 28480 | 1200-0803 | |
| A1XA1DS4 | 1200-0803 | 8 | | SOCKET-IC 14-CONT DIP DIP-SLDR | 28480 | 1200-0803 | |
| A1XA1DS5 | | | | NOT ASSIGNED | | | |
| A1XA1DS6 | | | | NOT ASSIGNED | | | |
| A1XA1DS7 | | | | NOT ASSIGNED | | | |
| A1XA1DS8 | 1200-0803 | 8 | | SOCKET-IC 14-CONT DIP DIP-SLDR | 28480 | 1200-0803 | |
| A1XA1DS9 | 1200-0803 | 8 | | SOCKET-IC 14-CONT DIP DIP-SLDR | 28480 | 1200-0803 | |
| A1XA1DS10 | 1200-0803 | 8 | | SOCKET-IC 14-CONT DIP DIP-SLDR | 28480 | 1200-0803 | |
| A1XA1DS11 | 1200-0803 | 8 | | SOCKET-IC 14-CONT DIP DIP-SLDR | 28480 | 1200-0803 | |
| A1XA1DS12 | 1200-0803 | 8 | SOCKET-IC 14-CONT DIP DIP-SLDR | 28480 | 1200-0803 | | |
| A1XA1DS13 | 1200-0803 | 8 | SOCKET-IC 14-CONT DIP DIP-SLDR | 28480 | 1200-0803 | | |
| A1XA1DS14 | 1200-0803 | 8 | SOCKET-IC 14-CONT DIP DIP-SLDR | 28480 | 1200-0803 | | |
| A1XA1DS15 | | | NOT ASSIGNED | | | | |
| A2 | 08684-60005 | 9 | 1 | RATE GENERATOR BOARD | 28480 | 08684-60005 | |
| A2C1 | 0160-2055 | 9 | 74 | CAPACITOR-FXD .01UF +80-20% 100VDC CER | 28480 | 0160-2055 | |
| A2C2 | 0160-2055 | 9 | | CAPACITOR-FXD .01UF +80-20% 100VDC CER | 28480 | 0160-2055 | |
| A2C3 | 0160-2055 | 9 | | CAPACITOR-FXD .01UF +80-20% 100VDC CER | 28480 | 0160-2055 | |
| A2C4 | 0160-2055 | 9 | | CAPACITOR-FXD .01UF +80-20% 100VDC CER | 28480 | 0160-2055 | |
| A2C5 | 0160-2055 | 9 | | CAPACITOR-FXD .01UF +80-20% 100VDC CER | 28480 | 0160-2055 | |
| A2C6 | 0160-2055 | 9 | 42 | CAPACITOR-FXD .01UF +80-20% 100VDC CER | 28480 | 0160-2055 | |
| A2C7 | 0160-0127 | 2 | | CAPACITOR-FXD 1UF +-20% 25VDC CER | 28480 | 0160-0127 | |
| A2C8 | 0160-0127 | 2 | | CAPACITOR-FXD 1UF +-20% 25VDC CER | 28480 | 0160-0127 | |
| A2C9 | 0160-0127 | 2 | | CAPACITOR-FXD 1UF +-20% 25VDC CER | 28480 | 0160-0127 | |
| A2C10 | 0160-0127 | 2 | | CAPACITOR-FXD 1UF +-20% 25VDC CER | 28480 | 0160-0127 | |
| A2C11 | 0160-0127 | 2 | | CAPACITOR-FXD 1UF +-20% 25VDC CER | 28480 | 0160-0127 | |
| A2C12 | 0160-0127 | 2 | CAPACITOR-FXD 1UF +-20% 25VDC CER | 28480 | 0160-0127 | | |
| A2C13 | 0160-2055 | 9 | 9 | CAPACITOR-FXD .01UF +80-20% 100VDC CER | 28480 | 0160-2055 | |
| A2C14 | 0160-2055 | 9 | | CAPACITOR-FXD .01UF +80-20% 100VDC CER | 28480 | 0160-2055 | |
| A2C15 | 0160-2055 | 9 | | CAPACITOR-FXD .01UF +80-20% 100VDC CER | 28480 | 0160-2055 | |
| A2C16 | 0160-2055 | 9 | | CAPACITOR-FXD .01UF +80-20% 100VDC CER | 28480 | 0160-2055 | |
| A2C17 | 0160-2055 | 9 | | CAPACITOR-FXD .01UF +80-20% 100VDC CER | 28480 | 0160-2055 | |
| A2C18 | 0180-0116 | 1 | 16 | CAPACITOR-FXD 6.8UF+-10% 35VDC TA | 56289 | 150D685X9035B2 | |
| A2C19 | 0180-0116 | 1 | | CAPACITOR-FXD 6.8UF+-10% 35VDC TA | 56289 | 150D685X9035B2 | |
| A2C20 | 0180-2247 | 3 | | CAPACITOR-FXD 10UF+-5% 20VDC TA | 56289 | 150D106X5020B2 | |
| A2C21 | 0180-1980 | 9 | 3 | CAPACITOR-FXD 1UF+-5% 35VDC TA | 56289 | 150D105X5035A2 | |
| A2C22 | 0160-2671 | 6 | | CAPACITOR-FXD .1UF +-5% 80VDC POLYE | 28480 | 0160-2671 | |
| A2C23 | 0160-5703 | 0 | | CAPACITOR-FXD 8200PF +-5% 100VDC CER | 28480 | 0160-5703 | |
| A2C24 | 0160-3537 | 4 | | CAPACITOR-FXD 680PF +-5% 100VDC MICA | 28480 | 0160-3537 | |
| A2C25 | 0121-0105 | 4 | | CAPACITOR-V TRMR-CER 9-35PF 200V PC-MTG | 52783 | 304324 9/35PF N650 | |
| A2C26 | 0160-2055 | 9 | | 2 | CAPACITOR-FXD .01UF +80-20% 100VDC CER | 28480 | 0160-2055 |
| A2C27 | 0160-2055 | 9 | | | CAPACITOR-FXD .01UF +80-20% 100VDC CER | 28480 | 0160-2055 |
| A2C28 | 0160-2198 | 1 | | | CAPACITOR-FXD 20PF +-5% 300VDC MICA | 28480 | 0160-2198 |
| A2C29 | 0160-2055 | 9 | CAPACITOR-FXD .01UF +80-20% 100VDC CER | | 28480 | 0160-2055 | |
| A2C30 | 0160-0127 | 2 | CAPACITOR-FXD 1UF +-20% 25VDC CER | | 28480 | 0160-0127 | |

See introduction to this section for ordering information
 *Indicates factory selected value
 †Backdating information in Section VII

Table 6-3. Replaceable Parts

| Reference Designation | HP Part Number | C D | Qty | Description | Mfr Code | Mfr Part Number |
|-----------------------|----------------|-----|-----|--|----------|----------------------|
| A2C31 | 0160-2055 | 9 | | CAPACITOR-FXD .01UF +80-20% 100VDC CER | 28480 | 0160-2055 |
| A2C32 | 0160-2055 | 9 | | CAPACITOR-FXD .01UF +80-20% 100VDC CER | 28480 | 0160-2055 |
| A2C33 | 0160-2055 | 9 | | CAPACITOR-FXD .01UF +80-20% 100VDC CER | 28480 | 0160-2055 |
| A2C34 | 0160-0127 | 2 | | CAPACITOR-FXD 1UF +-20% 25VDC CER | 28480 | 0160-0127 |
| A2C35 | 0160-0127 | 2 | | CAPACITOR-FXD 1UF +-20% 25VDC CER | 28480 | 0160-0127 |
| A2C36 | 0160-2055 | 9 | | CAPACITOR-FXD .01UF +80-20% 100VDC CER | 28480 | 0160-2055 |
| A2C37 | 0160-2055 | 9 | | CAPACITOR-FXD .01UF +80-20% 100VDC CER | 28480 | 0160-2055 |
| A2C38 | 0160-0127 | 2 | | CAPACITOR-FXD 1UF +-20% 25VDC CER | 28480 | 0160-0127 |
| A2C39 | 0180-0197 | 8 | 6 | CAPACITOR-FXD 2.2UF+-10% 20VDC TA | 56289 | 150D225X9020A2 |
| A2CR1 | 1901-0040 | 1 | 10 | DIODE-SWITCHING 30V 50MA 2NS DO-35 | 28480 | 1901-0040 |
| A2CR2 | 1901-0040 | 1 | | DIODE-SWITCHING 30V 50MA 2NS DO-35 | 28480 | 1901-0040 |
| A2CR3 | 1910-0022 | 8 | 1 | DIODE-GE 5V 60MA 3.5NS DO-7 | 28480 | 1910-0022 |
| A2CR4 | 1901-0179 | 7 | 1 | DIODE-SWITCHING 15V 50MA 750PS DO-7 | 28480 | 1901-0179 |
| A2CR5 | 1901-0040 | 1 | | DIODE-SWITCHING 30V 50MA 2NS DO-35 | 28480 | 1901-0040 |
| A2E1 | 9170-0029 | 3 | 9 | CORE-SHIELDING BEAD | 28480 | 9170-0029 |
| A2E2 | 9170-0029 | 3 | | CORE-SHIELDING BEAD | 28480 | 9170-0029 |
| A2E3 | 9170-0029 | 3 | | CORE-SHIELDING BEAD | 28480 | 9170-0029 |
| A2E4 | 9170-0029 | 3 | | CORE-SHIELDING BEAD | 28480 | 9170-0029 |
| A2J1 | 1250-1220 | 0 | 12 | CONNECTOR-RF SMC H PC 50-OHM | 28480 | 1250-1220 |
| | 2190-0124 | 4 | 12 | WASHER-LK INTL T NO. 10 .185-IN-ID | 28480 | 2190-0124 |
| | 2950-0078 | 9 | 12 | NUT-HEX-DBL-CHAM 10-32-THD .067-IN-THK | 28480 | 2950-0078 |
| A2L1 | 9100-3922 | 4 | 17 | INDUCTOR-FIXED 120-1300 HZ | 28480 | 9100-3922 |
| A2L2 | 9100-3922 | 4 | | INDUCTOR-FIXED 120-1300 HZ | 28480 | 9100-3922 |
| A2L3 | 9100-3922 | 4 | | INDUCTOR-FIXED 120-1300 HZ | 28480 | 9100-3922 |
| A2L4 | 9100-3922 | 4 | | INDUCTOR-FIXED 120-1300 HZ | 28480 | 9100-3922 |
| A2L5 | 9100-1613 | 6 | | INDUCTOR RF-CH-PLD 470NH 20% | 28480 | 9100-1613 |
| A2L6 | 9140-0094 | 9 | 2 | INDUCTOR RF-CH-PLD 680NH 10% | 28480 | 9140-0094 |
| A2L7 | 9100-1613 | 8 | | INDUCTOR RF-CH-PLD 470NH 20% | 28480 | 9100-1613 |
| A2MP1 | 08684-00011 | 1 | 1 | COVER-RATE GENERATOR | 28480 | 08684-00011 |
| A2MP2 | 5021-0866 | 7 | 18 | KNOB-P.C. BOARD PULLER | 28480 | 5021-0866 |
| | 0515-0211 | 8 | 18 | SCREW-MACH M3 X 0.5 6MM LG PAN-HD | 00000 | ORDER BY DESCRIPTION |
| A2MP3 | 0510-0034 | 3 | 17 | RETAINER-RING BWD EXT .25-IN-DIA STL | 28480 | 0510-0034 |
| A2MP4 | 1205-0012 | 1 | 2 | HEAT SINK TO-18-CS | 28480 | 1205-0012 |
| A2MP5 | 9151-0013 | 4 | | WIRE 22AUG 1X22 | 28480 | 9151-0013 |
| A2Q1 | 1854-0809 | 9 | 1 | TRANSISTOR NPN 2N2369A SI TO-18 PD-360MW | 28480 | 1854-0809 |
| A2Q2 | 1854-0019 | 3 | 3 | TRANSISTOR NPN SI TO-18 PD-360MW | 28480 | 1854-0019 |
| A2Q3 | 1853-0034 | 0 | 6 | TRANSISTOR PNP SI TO-18 PD-360MW | 28480 | 1853-0034 |
| A2Q4 | 1853-0218 | 2 | 10 | TRANSISTOR PNP SI TO-18 PD-360MW | 28480 | 1853-0218 |
| A2Q5 | 1854-0215 | 1 | 5 | TRANSISTOR NPN SI PD-350MW FT-300MHZ | 04713 | 2N3904 |
| A2Q6 | 1854-0215 | 1 | | TRANSISTOR NPN SI PD-350MW FT-300MHZ | 04713 | 2N3904 |
| A2Q7 | 1854-0215 | 1 | | TRANSISTOR NPN SI PD-350MW FT-300MHZ | 04713 | 2N3904 |
| A2Q8 | 1854-0215 | 1 | | TRANSISTOR NPN SI PD-350MW FT-300MHZ | 04713 | 2N3904 |
| A2Q9 | 1854-0215 | 1 | | TRANSISTOR NPN SI PD-350MW FT-300MHZ | 04713 | 2N3904 |
| A2Q10 | 1854-0345 | 8 | 14 | TRANSISTOR NPN 2N5179 SI TO-72 PD-200MW | 04713 | 2N5179 |
| A2Q11 | 1854-0019 | 3 | | TRANSISTOR NPN SI TO-18 PD-360MW | 28480 | 1854-0019 |
| A2Q12 | 1854-0019 | 3 | | TRANSISTOR NPN SI TO-18 PD-360MW | 28480 | 1854-0019 |
| A2Q13 | 1854-0009 | 1 | 3 | TRANSISTOR NPN SI PD-300MW FT-600MHZ | 04713 | 2N709 |
| A2Q14 | 1853-0036 | 2 | 15 | TRANSISTOR PNP SI PD-310MW FT-250MHZ | 28480 | 1853-0036 |
| A2Q15 | 1853-0218 | 2 | | TRANSISTOR PNP SI TO-18 PD-360MW | 28480 | 1853-0218 |
| A2Q16 | 1853-0218 | 2 | | TRANSISTOR PNP SI TO-18 PD-360MW | 28480 | 1853-0218 |
| A2Q17 | 1853-0218 | 2 | | TRANSISTOR PNP SI TO-18 PD-360MW | 28480 | 1853-0218 |
| A2Q18 | 1853-0218 | 2 | | TRANSISTOR PNP SI TO-18 PD-360MW | 28480 | 1853-0218 |
| A2R1 | 0757-0274 | 5 | 11 | RESISTOR 1.21K 1% .125W F TC=0+-100 | 24546 | C4-1/8-T0-1211-F |
| A2R2 | 0757-0274 | 5 | | RESISTOR 1.21K 1% .125W F TC=0+-100 | 24546 | C4-1/8-T0-1211-F |
| A2R3 | 0757-0274 | 5 | | RESISTOR 1.21K 1% .125W F TC=0+-100 | 24546 | C4-1/8-T0-1211-F |
| A2R4 | 0757-0274 | 5 | | RESISTOR 1.21K 1% .125W F TC=0+-100 | 24546 | C4-1/8-T0-1211-F |
| A2R5 | 0757-0274 | 5 | | RESISTOR 1.21K 1% .125W F TC=0+-100 | 24546 | C4-1/8-T0-1211-F |
| A2R6 | 0757-0438 | 3 | 25 | RESISTOR 5.11K 1% .125W F TC=0+-100 | 24546 | C4-1/8-T0-5111-F |
| A2R7 | 0757-0438 | 3 | | RESISTOR 5.11K 1% .125W F TC=0+-100 | 24546 | C4-1/8-T0-5111-F |
| A2R8 | 0757-0438 | 3 | | RESISTOR 5.11K 1% .125W F TC=0+-100 | 24546 | C4-1/8-T0-5111-F |
| A2R9 | 0757-0438 | 3 | | RESISTOR 5.11K 1% .125W F TC=0+-100 | 24546 | C4-1/8-T0-5111-F |
| A2R10 | 0757-0438 | 3 | | RESISTOR 5.11K 1% .125W F TC=0+-100 | 24546 | C4-1/8-T0-5111-F |

See introduction to this section for ordering information
 *Indicates factory selected value
 †Backdating information in Section VII

Table 6-3. Replaceable Parts

| Reference Designation | HP Part Number | C D | Qty | Description | Mfr Code | Mfr Part Number |
|-----------------------|----------------|--------|-----|--|----------|-------------------|
| A2R11 | 0698-8827 | 4 | 18 | RESISTOR 1M 1% .125W F TC=0+-100 | 28480 | 0698-8827 |
| A2R12 | 0698-8827 | 4 | | RESISTOR 1M 1% .125W F TC=0+-100 | 28480 | 0698-8827 |
| A2R13 | 0698-8827 | 4 | | RESISTOR 1M 1% .125W F TC=0+-100 | 28480 | 0698-8827 |
| A2R14 | 0698-8827 | 4 | | RESISTOR 1M 1% .125W F TC=0+-100 | 28480 | 0698-8827 |
| A2R15 | 0698-8827 | 4 | | RESISTOR 1M 1% .125W F TC=0+-100 | 28480 | 0698-8827 |
| A2R16 | 0757-0180 | 2 | 5 | RESISTOR 31.6 1% .125W F TC=0+-100 | 28480 | 0757-0180 |
| A2R17 | 0698-0085 | 0 | 17 | RESISTOR 2.61K 1% .125W F TC=0+-100 | 24546 | C4-1/8-T0-2611-F |
| A2R18 | 0698-3437 | 2 | | RESISTOR 133 1% .125W F TC=0+-100 | 24546 | C4-1/8-T0-133R-F |
| A2R19 | 0757-0279 | 0 | 4 | RESISTOR 3.16K 1% .125W F TC=0+-100 | 24546 | C4-1/8-T0-3161-F |
| A2R20 | 0757-0428 | 1 | 8 | RESISTOR 1.62K 1% .125W F TC=0+-100 | 24546 | C4-1/8-T0-1621-F |
| A2R21 | 0757-0401 | 0 | | RESISTOR 100 1% .125W F TC=0+-100 | 24546 | C4-1/8-T0-101-F |
| A2R22 | 0757-0346 | 2 | | RESISTOR 100 1% .125W F TC=0+-100 | 24546 | C4-1/8-T0-100R-F |
| A2R23 | 0698-3437 | 2 | | RESISTOR 133 1% .125W F TC=0+-100 | 24546 | C4-1/8-T0-133R-F |
| A2R24 | 0757-0400 | 9 | 2 | RESISTOR 90.9 1% .125W F TC=0+-100 | 24546 | C4-1/8-T0-909R-F |
| A2R25 | 0698-3151 | 7 | 3 | RESISTOR 2.87K 1% .125W F TC=0+-100 | 24546 | C4-1/8-T0-2871-F |
| A2R26 | 0698-0084 | 9 | 13 | RESISTOR 2.15K 1% .125W F TC=0+-100 | 24546 | C4-1/8-T0-2151-F |
| A2R27 | 0757-0442 | 9 | 34 | RESISTOR 100 1% .125W F TC=0+-100 | 24546 | C4-1/8-T0-1002-F |
| A2R28 | 0698-3152 | 8 | 2 | RESISTOR 3.48K 1% .125W F TC=0+-100 | 24546 | C4-1/8-T0-3481-F |
| A2R29 | 0757-0279 | 0 | | RESISTOR 3.16K 1% .125W F TC=0+-100 | 24546 | C4-1/8-T0-3161-F |
| A2R30 | 0698-3442 | 9 | | RESISTOR 237 1% .125W F TC=0+-100 | 24546 | C4-1/8-T0-237R-F |
| A2R31 | 0698-0084 | 9 | | RESISTOR 2.15K 1% .125W F TC=0+-100 | 24546 | C4-1/8-T0-2151-F |
| A2R32 | 0757-0274 | 5 | | RESISTOR 1.21K 1% .125W F TC=0+-100 | 24546 | C4-1/8-T0-1211-F |
| A2R33 | 0757-0442 | 9 | | RESISTOR 100 1% .125W F TC=0+-100 | 24546 | C4-1/8-T0-1002-F |
| A2R34 | 0757-0401 | 0 | | RESISTOR 100 1% .125W F TC=0+-100 | 24546 | C4-1/8-T0-101-F |
| A2R35 | 0698-3440 | 7 | 7 | RESISTOR 196 1% .125W F TC=0+-100 | 24546 | C4-1/8-T0-196R-F |
| A2R36 | 0698-0084 | 9 | | RESISTOR 2.15K 1% .125W F TC=0+-100 | 24546 | C4-1/8-T0-2151-F |
| A2R37 | 0757-0421 | 4 | 3 | RESISTOR 825 1% .125W F TC=0+-100 | 24546 | C4-1/8-T0-825R-F |
| A2R38 | 0757-0401 | 0 | | RESISTOR 100 1% .125W F TC=0+-100 | 24546 | C4-1/8-T0-101-F |
| A2R39 | 0757-0403 | 2 | | RESISTOR 121 1% .125W F TC=0+-100 | 24546 | C4-1/8-T0-121R-F |
| A2R40 | 0757-0400 | 9 | | RESISTOR 90.9 1% .125W F TC=0+-100 | 24546 | C4-1/8-T0-909R-F |
| A2R41 | 0698-0084 | 9 | | RESISTOR 2.15K 1% .125W F TC=0+-100 | 24546 | C4-1/8-T0-2151-F |
| A2R42 | 0757-0346 | 2 | | RESISTOR 100 1% .125W F TC=0+-100 | 24546 | C4-1/8-T0-100R-F |
| A2R43 | 0757-0401 | 0 | | RESISTOR 100 1% .125W F TC=0+-100 | 24546 | C4-1/8-T0-101-F |
| A2R44 | 0757-0424 | 7 | 2 | RESISTOR 1.1K 1% .125W F TC=0+-100 | 24546 | C4-1/8-T0-1101-F |
| A2R45 | 0698-3151 | 7 | | RESISTOR 2.87K 1% .125W F TC=0+-100 | 24546 | C4-1/8-T0-2871-F |
| A2R46 | 0698-0084 | 9 | | RESISTOR 2.15K 1% .125W F TC=0+-100 | 24546 | C4-1/8-T0-2151-F |
| A2R47 | 0757-0405 | 4 | 6 | RESISTOR 162 1% .125W F TC=0+-100 | 24546 | C4-1/8-T0-162R-F |
| A2R48 | 0698-3155 | 1 | | RESISTOR 4.64K 1% .125W F TC=0+-100 | 24546 | C4-1/8-T0-4641-F |
| A2R49 | 0757-0274 | 5 | | RESISTOR 1.21K 1% .125W F TC=0+-100 | 24546 | C4-1/8-T0-1211-F |
| A2R50 | 0698-0083 | 8 | 11 | RESISTOR 1.96K 1% .125W F TC=0+-100 | 24546 | C4-1/8-T0-1961-F |
| A2R51 | 0698-3132 | 4 | | RESISTOR 261 1% .125W F TC=0+-100 | 24546 | C4-1/8-T0-261R-F |
| A2R52 | 0698-3443 | 0 | 7 | RESISTOR 187 1% .125W F TC=0+-100 | 24546 | C4-1/8-T0-287R-F |
| A2R53 | 0757-0382 | 6 | 1 | RESISTOR 16.2 1% .125W F TC=0+-100 | 19701 | MF4C1/8-T0-162R-F |
| A2R54 | 0757-0384 | 0 | 5 | RESISTOR 51.1 1% .125W F TC=0+-100 | 24546 | C4-1/8-T0-511R-F |
| A2R55 | 0698-3455 | 4 | 6 | RESISTOR 261K 1% .125W F TC=0+-100 | 24546 | C4-1/8-T0-2613-F |
| A2TP1 | 1251-0600 | 0 | 58 | CONNECTOR-SGL CONT PIN 1,14-PM-BSC-SZ SQ | 28480 | 1251-0600 |
| A2TP2 | 1251-0600 | 0 | | CONNECTOR-SGL CONT PIN 1,14-PM-BSC-SZ SQ | 28480 | 1251-0600 |
| A2TP3 | 1251-0600 | 0 | | CONNECTOR-SGL CONT PIN 1,14-PM-BSC-SZ SQ | 28480 | 1251-0600 |
| A2TP4 | 1251-0600 | 0 | | CONNECTOR-SGL CONT PIN 1,14-PM-BSC-SZ SQ | 28480 | 1251-0600 |
| A2TP5 | 1251-0600 | 0 | | CONNECTOR-SGL CONT PIN 1,14-PM-BSC-SZ SQ | 28480 | 1251-0600 |
| A2TP6 | 1251-0600 | 0 | | CONNECTOR-SGL CONT PIN 1,14-PM-BSC-SZ SQ | 28480 | 1251-0600 |
| A2TP7 | 1251-0600 | 0 | | CONNECTOR-SGL CONT PIN 1,14-PM-BSC-SZ SQ | 28480 | 1251-0600 |
| A2U1 | 1820-1422 | 3 | 2 | IC MV TTL LS MONOSTBL RETRIG | 01295 | SN74LS122N |
| A2VR1 | 1902-0049 | 2 | 1 | DIODE-ZNR 6.19V 5% DO-35 PD=.4W | 28480 | 1902-0049 |
| A3 | 08684-60006 | 0 | 1 | DELAY GENERATOR BOARD | 28480 | 08684-60006 |
| A3C1 | 0160-2055 | 9 | | CAPACITOR-FXD .01UF +80-20% 100VDC CER | 28480 | 0160-2055 |
| A3C2 | 0160-2055 | 9 | | CAPACITOR-FXD .01UF +80-20% 100VDC CER | 28480 | 0160-2055 |
| A3C3 | 0160-2055 | 9 | | CAPACITOR-FXD .01UF +80-20% 100VDC CER | 28480 | 0160-2055 |
| A3C4 | 0160-2055 | 9 | | CAPACITOR-FXD .01UF +80-20% 100VDC CER | 28480 | 0160-2055 |
| A3C5 | 0160-2055 | 9 | | CAPACITOR-FXD .01UF +80-20% 100VDC CER | 28480 | 0160-2055 |

See introduction to this section for ordering information

*Indicates factory selected value

†Backdating information in Section VII

Table 6-3. Replaceable Parts

| Reference Designation | HP Part Number | C D | Qty | Description | Mfr Code | Mfr Part Number |
|-----------------------|----------------|--------|-----|--|----------|----------------------|
| A3C6 | 0160-2055 | 9 | | CAPACITOR-FXD .01UF +80-20% 100VDC CER | 28480 | 0160-2055 |
| A3C7 | 0160-0127 | 2 | | CAPACITOR-FXD 1UF +-20% 25VDC CER | 28480 | 0160-0127 |
| A3C8 | 0160-0127 | 2 | | CAPACITOR-FXD 1UF +-20% 25VDC CER | 28480 | 0160-0127 |
| A3C9 | 0160-0127 | 2 | | CAPACITOR-FXD 1UF +-20% 25VDC CER | 28480 | 0160-0127 |
| A3C10 | 0160-0127 | 2 | | CAPACITOR-FXD 1UF +-20% 25VDC CER | 28480 | 0160-0127 |
| A3C11 | 0160-0127 | 2 | | CAPACITOR-FXD 1UF +-20% 25VDC CER | 28480 | 0160-0127 |
| A3C12 | 0160-0127 | 2 | | CAPACITOR-FXD 1UF +-20% 25VDC CER | 28480 | 0160-0127 |
| A3C13 | 0160-2055 | 9 | | CAPACITOR-FXD .01UF +80-20% 100VDC CER | 28480 | 0160-2055 |
| A3C14 | 0180-0116 | 1 | | CAPACITOR-FXD 6.8UF+-10% 35VDC TA | 56289 | 150D685X8035B2 |
| A3C15 | 0180-0116 | 1 | | CAPACITOR-FXD 6.8UF+-10% 35VDC TA | 56289 | 150D685X8035B2 |
| A3C16 | 0180-0116 | 1 | | CAPACITOR-FXD 6.8UF+-10% 35VDC TA | 56289 | 150D685X8035B2 |
| A3C17 | 0160-2055 | 9 | | CAPACITOR-FXD .01UF +80-20% 100VDC CER | 28480 | 0160-2055 |
| A3C18 | 0160-2055 | 9 | | CAPACITOR-FXD .01UF +80-20% 100VDC CER | 28480 | 0160-2055 |
| A3C19 | 0160-2055 | 9 | | CAPACITOR-FXD .01UF +80-20% 100VDC CER | 28480 | 0160-2055 |
| A3C20 | 0160-2055 | 9 | | CAPACITOR-FXD .01UF +80-20% 100VDC CER | 28480 | 0160-2055 |
| A3C21 | 0160-2055 | 9 | | CAPACITOR-FXD .01UF +80-20% 100VDC CER | 28480 | 0160-2055 |
| A3C22 | 0160-2055 | 9 | | CAPACITOR-FXD .01UF +80-20% 100VDC CER | 28480 | 0160-2055 |
| A3C23 | 0160-0576 | 5 | 58 | CAPACITOR-FXD .1UF +-20% 50VDC CER | 28480 | 0160-0576 |
| A3C24 | 0160-0576 | 5 | | CAPACITOR-FXD .1UF +-20% 50VDC CER | 28480 | 0160-0576 |
| A3C25 | 0180-2207 | 5 | 2 | CAPACITOR-FXD 100UF+-10% 10VDC TA | 56289 | 150D107X9010R2 |
| A3C26 | 0180-2247 | 3 | | CAPACITOR-FXD 10UF+-5% 20VDC TA | 56289 | 150D106X5020B2 |
| A3C27 | 0180-1980 | 9 | | CAPACITOR-FXD 1UF+-5% 35VDC TA | 56289 | 150D105X5035A2 |
| A3C28 | 0160-2671 | 5 | | CAPACITOR-FXD .1UF +-5% 80VDC POLYE | 28480 | 0160-2671 |
| A3C29 | 0180-4426 | 2 | 2 | CAPACITOR-FXD .01UF +-1% 100VDC CER | 28480 | 0160-4426 |
| A3C30 | 0160-3750 | 3 | 2 | CAPACITOR-FXD 820PF +-5% 50VDC CER | 28480 | 0160-3750 |
| A3C31 | 0160-2055 | 9 | | CAPACITOR-FXD .01UF +80-20% 100VDC CER | 28480 | 0160-2055 |
| A3C32 | 0160-0127 | 2 | | CAPACITOR-FXD 1UF +-20% 25VDC CER | 28480 | 0160-0127 |
| A3C33 | 0121-0105 | 4 | | CAPACITOR-V TRMR-CER 9-35PF 200V PC-MTG | 52763 | 304324 9/35PF N650 |
| A3C34 | 0160-0127 | 2 | | CAPACITOR-FXD 1UF +-20% 25VDC CER | 28480 | 0160-0127 |
| A3C35 | 0160-2198 | 1 | | CAPACITOR-FXD 20PF +-5% 300VDC NICA | 28480 | 0160-2198 |
| A3C36 | 0160-3879 | 7 | 28 | CAPACITOR-FXD .01UF +-20% 100VDC CER | 28480 | 0160-3879 |
| A3C37 | 0160-0127 | 2 | | CAPACITOR-FXD 1UF +-20% 25VDC CER | 28480 | 0160-0127 |
| A3C38 | 0160-0576 | 5 | | CAPACITOR-FXD .1UF +-20% 50VDC CER | 28480 | 0160-0576 |
| A3C39 | 0180-0187 | 8 | | CAPACITOR-FXD 2.2UF+-10% 20VDC TA | 56289 | 150D225X8020A2 |
| A3C40 | 0160-2055 | 9 | | CAPACITOR-FXD .01UF +80-20% 100VDC CER | 28480 | 0160-2055 |
| A3C41 | 0160-2055 | 9 | | CAPACITOR-FXD .01UF +80-20% 100VDC CER | 28480 | 0160-2055 |
| A3C42 | 0160-2055 | 9 | | CAPACITOR-FXD .01UF +80-20% 100VDC CER | 28480 | 0160-2055 |
| A3CR1 | 1901-0050 | 3 | | DIODE-SWITCHING 60V 200MA 2NS DO-35 | 28480 | 1901-0050 |
| A3CR2 | 1901-0040 | 1 | | DIODE-SWITCHING 30V 50MA 2NS DO-35 | 28480 | 1901-0040 |
| A3CR3 | 1901-0040 | 1 | | DIODE-SWITCHING 30V 50MA 2NS DO-35 | 28480 | 1901-0040 |
| A3CR4 | 1901-0040 | 1 | | DIODE-SWITCHING 30V 50MA 2NS DO-35 | 28480 | 1901-0040 |
| A3CR5 | 1901-0040 | 1 | | DIODE-SWITCHING 30V 50MA 2NS DO-35 | 28480 | 1901-0040 |
| A3CR6 | 1901-0040 | 1 | | DIODE-SWITCHING 30V 50MA 2NS DO-35 | 28480 | 1901-0040 |
| A3CR7 | 1901-0033 | 2 | 8 | DIODE-GEN PRP 180V 200MA DO-7 | 28480 | 1901-0033 |
| A3CR8 | 1901-0535 | 9 | 1 | DIODE-SM SIG SCHOTTKY | 28480 | 1901-0535 |
| A3J1 | 1250-1220 | 0 | | CONNECTOR-RF SMC M PC 50-OHM | 28480 | 1250-1220 |
| | 2190-0124 | 4 | | WASHER-LK INTL T NO. 10 .185-IN-ID | 28480 | 2190-0124 |
| | 2950-0078 | 9 | | NUT-HEX-DBL-CHAM 10-32-THD .067-IN-THK | 28480 | 2950-0078 |
| A3L1 | 9100-3922 | 4 | | INDUCTOR-FIXED 120-1300 HZ | 28480 | 9100-3922 |
| A3L2 | 9100-3922 | 4 | | INDUCTOR-FIXED 120-1300 HZ | 28480 | 9100-3922 |
| A3L3 | 9100-3922 | 4 | | INDUCTOR-FIXED 120-1300 HZ | 28480 | 9100-3922 |
| A3L4 | 9140-0096 | 1 | 2 | INDUCTOR RF-CH-MLD 1UH 10% .166DX.385LG | 28480 | 9140-0096 |
| A3L5 | 9100-1613 | 5 | | INDUCTOR RF-CH-MLD 470NH 20% | 28480 | 9100-1613 |
| A3L6 | 9140-0179 | 1 | 2 | INDUCTOR RF-CH-MLD 22UH 10% .166DX.385LG | 28480 | 9140-0179 |
| A3L7 | 9140-0094 | 9 | | INDUCTOR RF-CH-MLD 680NH 10% | 28480 | 9140-0094 |
| A3MP1 | 08684-00012 | 2 | 1 | COVER-DELAY GENERATOR | 28480 | 08684-00012 |
| A3MP2 | 5021-0866 | 7 | | KNOB-P.C. BOARD PULLER | 28480 | 5021-0866 |
| | 0515-0211 | 8 | | SCREW-MACH #3 X 0.5 6MM-LG PAN-HD | 00000 | ORDER BY DESCRIPTION |
| A3MP3 | 0510-0034 | 3 | | RETAINER-RING BUD EXT .25-IN-DIA STL | 28480 | 0510-0034 |
| A3Q1 | 1853-0218 | 2 | | TRANSISTOR PNP SI T0-18 PD-360MW | 28480 | 1853-0218 |
| A3Q2 | 1854-0345 | 8 | | TRANSISTOR NPN 2N5179 SI T0-72 PD-200MW | 04713 | 2N5179 |
| A3Q3 | 1854-0345 | 8 | | TRANSISTOR NPN 2N5179 SI T0-72 PD-200MW | 04713 | 2N5179 |
| A3Q4 | 1854-0039 | 7 | 1 | TRANSISTOR NPN 2N3053S SI T0-39 PD-1W | 3L585 | 2N3053S |
| A3Q5 | 1853-0218 | 2 | | TRANSISTOR PNP SI T0-18 PD-360MW | 28480 | 1853-0218 |

See introduction to this section for ordering information
 *Indicates factory selected value
 †Backdating information in Section VII

Table 6-3. Replaceable Parts

| Reference Designation | HP Part Number | C D | Qty | Description | Mfr Code | Mfr Part Number |
|-----------------------|----------------|--------|-----|--|----------|------------------|
| A306 | 1853-0018 | 0 | 1 | TRANSISTOR PNP SI TO-72 PD=200MW FT=1GHZ | 28480 | 1853-0018 |
| A307 | 1854-0345 | 0 | 8 | TRANSISTOR NPN 2N5179 SI TO-72 PD=200MW | 04713 | 2N5179 |
| A308 | 1853-0218 | 2 | 2 | TRANSISTOR PNP SI TO-18 PD=360MW | 28480 | 1853-0218 |
| A309 | 1854-0345 | 0 | 8 | TRANSISTOR NPN 2N5179 SI TO-72 PD=200MW | 04713 | 2N5179 |
| A3010 | 1853-0020 | 4 | 1 | TRANSISTOR PNP SI PD=300MW FT=150MHZ | 28480 | 1853-0020 |
| A3011 | 1854-0009 | 1 | | TRANSISTOR NPN SI PD=300MW FT=600MHZ | 04713 | 2N709 |
| A3012 | 1853-0036 | 2 | | TRANSISTOR PNP SI PD=310MW FT=250MHZ | 28480 | 1853-0036 |
| A3013 | 1853-0036 | 2 | | TRANSISTOR PNP SI PD=310MW FT=250MHZ | 28480 | 1853-0036 |
| A3014 | 1853-0036 | 2 | | TRANSISTOR PNP SI PD=310MW FT=250MHZ | 28480 | 1853-0036 |
| A3015 | 1853-0036 | 2 | | TRANSISTOR PNP SI PD=310MW FT=250MHZ | 28480 | 1853-0036 |
| A3016 | 1853-0036 | 2 | | TRANSISTOR PNP SI PD=310MW FT=250MHZ | 28480 | 1853-0036 |
| A3017 | 1853-0036 | 2 | | TRANSISTOR PNP SI PD=310MW FT=250MHZ | 28480 | 1853-0036 |
| A3018 | 1853-0036 | 2 | | TRANSISTOR PNP SI PD=310MW FT=250MHZ | 28480 | 1853-0036 |
| A3019 | 1854-0009 | 1 | | TRANSISTOR NPN SI PD=300MW FT=600MHZ | 04713 | 2N709 |
| A3020 | 1853-0218 | 2 | | TRANSISTOR PNP SI TO-18 PD=360MW | 28480 | 1853-0218 |
| A3R1 | 0757-0428 | 1 | | RESISTOR 1.82K 1% .125W F TC=0+-100 | 24546 | C4-1/8-T0-1621-F |
| A3R2 | 0698-0085 | 0 | | RESISTOR 2.61K 1% .125W F TC=0+-100 | 24546 | C4-1/8-T0-2611-F |
| A3R3 | 0698-0085 | 0 | | RESISTOR 2.61K 1% .125W F TC=0+-100 | 24546 | C4-1/8-T0-2611-F |
| A3R4 | 0698-0085 | 0 | | RESISTOR 2.61K 1% .125W F TC=0+-100 | 24546 | C4-1/8-T0-2611-F |
| A3R5 | 0698-0085 | 0 | | RESISTOR 2.61K 1% .125W F TC=0+-100 | 24546 | C4-1/8-T0-2611-F |
| A3R6 | 0698-0085 | 0 | | RESISTOR 2.61K 1% .125W F TC=0+-100 | 24546 | C4-1/8-T0-2611-F |
| A3R7 | 0698-0085 | 0 | | RESISTOR 2.61K 1% .125W F TC=0+-100 | 24546 | C4-1/8-T0-2611-F |
| A3R8 | 0757-0416 | 7 | 16 | RESISTOR 511 1% .125W F TC=0+-100 | 24546 | C4-1/8-T0-511-F |
| A3R9 | 0698-3434 | 3 | | RESISTOR 147 1% .125W F TC=0+-100 | 24546 | C4-1/8-T0-147R-F |
| A3R10 | 0757-0438 | 3 | | RESISTOR 5.11K 1% .125W F TC=0+-100 | 24546 | C4-1/8-T0-5111-F |
| A3R11 | 0757-0438 | 3 | | RESISTOR 5.11K 1% .125W F TC=0+-100 | 24546 | C4-1/8-T0-5111-F |
| A3R12 | 0757-0438 | 3 | | RESISTOR 5.11K 1% .125W F TC=0+-100 | 24546 | C4-1/8-T0-5111-F |
| A3R13 | 0757-0438 | 3 | | RESISTOR 5.11K 1% .125W F TC=0+-100 | 24546 | C4-1/8-T0-5111-F |
| A3R14 | 0757-0438 | 3 | | RESISTOR 5.11K 1% .125W F TC=0+-100 | 24546 | C4-1/8-T0-5111-F |
| A3R15 | 0757-0438 | 3 | | RESISTOR 5.11K 1% .125W F TC=0+-100 | 24546 | C4-1/8-T0-5111-F |
| A3R16 | 0698-3158 | 4 | 13 | RESISTOR 23.7K 1% .125W F TC=0+-100 | 24546 | C4-1/8-T0-2372-F |
| A3R17 | 0698-3158 | 4 | | RESISTOR 23.7K 1% .125W F TC=0+-100 | 24546 | C4-1/8-T0-2372-F |
| A3R18 | 0698-3158 | 4 | | RESISTOR 23.7K 1% .125W F TC=0+-100 | 24546 | C4-1/8-T0-2372-F |
| A3R19 | 0698-3158 | 4 | | RESISTOR 23.7K 1% .125W F TC=0+-100 | 24546 | C4-1/8-T0-2372-F |
| A3R20 | 0698-3158 | 4 | | RESISTOR 23.7K 1% .125W F TC=0+-100 | 24546 | C4-1/8-T0-2372-F |
| A3R21 | 0698-3158 | 4 | | RESISTOR 23.7K 1% .125W F TC=0+-100 | 24546 | C4-1/8-T0-2372-F |
| A3R22 | 0757-0346 | 2 | | RESISTOR 10 1% .125W F TC=0+-100 | 24546 | C4-1/8-T0-10R0-F |
| A3R23 | 0698-8827 | 4 | | RESISTOR 1M 1% .125W F TC=0+-100 | 28480 | 0698-8827 |
| A3R24 | 0698-8827 | 4 | | RESISTOR 1M 1% .125W F TC=0+-100 | 28480 | 0698-8827 |
| A3R25 | 0698-8827 | 4 | | RESISTOR 1M 1% .125W F TC=0+-100 | 28480 | 0698-8827 |
| A3R26 | 0698-8827 | 4 | | RESISTOR 1M 1% .125W F TC=0+-100 | 28480 | 0698-8827 |
| A3R27 | 0698-8827 | 4 | | RESISTOR 1M 1% .125W F TC=0+-100 | 28480 | 0698-8827 |
| A3R28 | 0698-8827 | 4 | | RESISTOR 1M 1% .125W F TC=0+-100 | 28480 | 0698-8827 |
| A3R29 | 0698-0084 | 9 | | RESISTOR 2.15K 1% .125W F TC=0+-100 | 24546 | C4-1/8-T0-2151-F |
| A3R30 | 0757-1040 | 5 | 1 | RESISTOR 50 1% .25W F TC=0+-100 | 24546 | C5-1/4-T0-50R0-F |
| A3R31 | 0757-0278 | 9 | 8 | RESISTOR 1.78K 1% .125W F TC=0+-100 | 24546 | C4-1/8-T0-1781-F |
| A3R32 | 0698-0085 | 0 | | RESISTOR 2.61K 1% .125W F TC=0+-100 | 24546 | C4-1/8-T0-2611-F |
| A3R33 | 0757-0419 | 0 | 5 | RESISTOR 681 1% .125W F TC=0+-100 | 24546 | C4-1/8-T0-681R-F |
| A3R34 | 0698-3132 | 4 | | RESISTOR 261 1% .125W F TC=0+-100 | 24546 | C4-1/8-T0-2610-F |
| A3R35 | 0757-0419 | 0 | 4 | RESISTOR 681 1% .125W F TC=0+-100 | 24546 | C4-1/8-T0-681R-F |
| A3R36 | 0698-3434 | 9 | 4 | RESISTOR 34.8 1% .125W F TC=0+-100 | 24546 | C4-1/8-T0-3480-F |
| A3R37 | 0698-3434 | 9 | | RESISTOR 34.8 1% .125W F TC=0+-100 | 24546 | C4-1/8-T0-3480-F |
| A3R38 | 0757-0405 | 4 | | RESISTOR 182 1% .125W F TC=0+-100 | 24546 | C4-1/8-T0-182R-F |
| A3R39 | 0698-4037 | 0 | 3 | RESISTOR 46.4 1% .125W F TC=0+-100 | 24546 | C4-1/8-T0-46R4-F |
| A3R40 | 0698-0090 | 7 | 3 | RESISTOR 464 1% .5W F TC=0+-100 | 28480 | 0698-0090 |
| A3R41 | 0757-0424 | 7 | | RESISTOR 1.1K 1% .125W F TC=0+-100 | 24546 | C4-1/8-T0-1101-F |
| A3R42 | 0757-1094 | 9 | 11 | RESISTOR 1.47K 1% .125W F TC=0+-100 | 24546 | C4-1/8-T0-1471-F |
| A3R43 | 0757-0420 | 3 | 3 | RESISTOR 750 1% .125W F TC=0+-100 | 24546 | C4-1/8-T0-751-F |
| A3R44 | 0698-0064 | 9 | | RESISTOR 2.15K 1% .125W F TC=0+-100 | 24546 | C4-1/8-T0-2151-F |
| A3R45 | 0698-3437 | 2 | | RESISTOR 133 1% .125W F TC=0+-100 | 24546 | C4-1/8-T0-133R-F |
| A3R46 | 0757-0442 | 9 | | RESISTOR 10K 1% .125W F TC=0+-100 | 24546 | C4-1/8-T0-1002-F |
| A3R47 | 0757-0278 | 9 | | RESISTOR 1.78K 1% .125W F TC=0+-100 | 24546 | C4-1/8-T0-1781-F |
| A3R48 | 0698-3447 | 4 | 9 | RESISTOR 422 1% .125W F TC=0+-100 | 24546 | C4-1/8-T0-422R-F |
| A3R49 | 0757-0278 | 9 | | RESISTOR 1.78K 1% .125W F TC=0+-100 | 24546 | C4-1/8-T0-1781-F |
| A3R50 | 0698-0084 | 9 | | RESISTOR 2.15K 1% .125W F TC=0+-100 | 24546 | C4-1/8-T0-2151-F |

See introduction to this section for ordering information
 *Indicates factory selected value
 †Backdating information in Section VII

Table 6-3. Replaceable Parts

| Reference Designation | HP Part Number | C D | Qty | Description | Mfr Code | Mfr Part Number |
|-----------------------|----------------|-----|-----|--|----------|--------------------|
| A3R51 | 0757-0442 | 9 | | RESISTOR 10K 1% .125W F TC=0+-100 | 24546 | C4-1/8-T0-1002-F |
| A3R52 | 0757-0442 | 9 | | RESISTOR 10K 1% .125W F TC=0+-100 | 24546 | C4-1/8-T0-1002-F |
| A3R53 | 0757-0280 | 3 | | RESISTOR 1K 1% .125W F TC=0+-100 | 24546 | C4-1/8-T0-1001-F |
| A3R54 | 0698-3441 | 8 | 1 | RESISTOR 215 1% .125W F TC=0+-100 | 24546 | C4-1/8-T0-215R-F |
| A3R55 | 0698-0084 | 8 | | RESISTOR 2.15K 1% .125W F TC=0+-100 | 24546 | C4-1/8-T0-2151-F |
| A3R56 | 0757-0422 | 5 | 3 | RESISTOR 809 1% .125W F TC=0+-100 | 24546 | C4-1/8-T0-809R-F |
| A3R57 | 0698-0084 | 9 | | RESISTOR 2.15K 1% .125W F TC=0+-100 | 24546 | C4-1/8-T0-2151-F |
| A3R58 | 0698-3445 | 2 | 5 | RESISTOR 348 1% .125W F TC=0+-100 | 24546 | C4-1/8-T0-348R-F |
| A3R59 | 0698-3455 | 4 | | RESISTOR 261K 1% .125W F TC=0+-100 | 24546 | C4-1/8-T0-2613-F |
| A3R60 | 0757-0278 | 9 | | RESISTOR 1.78K 1% .125W F TC=0+-100 | 24546 | C4-1/8-T0-1781-F |
| A3R61 | 0757-0399 | 5 | 3 | RESISTOR 82.5 1% .125W F TC=0+-100 | 24546 | C4-1/8-T0-82R5-F |
| A3R62 | 0757-0401 | 0 | | RESISTOR 100 1% .125W F TC=0+-100 | 24546 | C4-1/8-T0-101-F |
| A3R63 | 0757-0447 | 4 | 2 | RESISTOR 16.2K 1% .125W F TC=0+-100 | 24546 | C4-1/8-T0-1622-F |
| A3R64 | 0698-3154 | 0 | 3 | RESISTOR 4.22K 1% .125W F TC=0+-100 | 24546 | C4-1/8-T0-4221-F |
| A3R65 | 0757-0317 | 7 | 2 | RESISTOR 1.33K 1% .125W F TC=0+-100 | 24546 | C4-1/8-T0-1331-F |
| A3R66 | 0757-0421 | 4 | | RESISTOR 825 1% .125W F TC=0+-100 | 24546 | C4-1/8-T0-825R-F |
| A3R67 | 0698-3440 | 7 | | RESISTOR 196 1% .125W F TC=0+-100 | 24546 | C4-1/8-T0-196R-F |
| A3TP1 | 1251-0600 | 0 | | CONNECTOR-SGL CONT PIN 1.14-MM-BSC-SZ SQ | 28480 | 1251-0600 |
| A3TP2 | 1251-0600 | 0 | | CONNECTOR-SGL CONT PIN 1.14-MM-BSC-SZ SQ | 28480 | 1251-0600 |
| A3TP3 | 1251-0600 | 0 | | CONNECTOR-SGL CONT PIN 1.14-MM-BSC-SZ SQ | 28480 | 1251-0600 |
| A3TP4 | 1251-0600 | 0 | | CONNECTOR-SGL CONT PIN 1.14-MM-BSC-SZ SQ | 28480 | 1251-0600 |
| A3TP5 | 1251-0600 | 0 | | CONNECTOR-SGL CONT PIN 1.14-MM-BSC-SZ SQ | 28480 | 1251-0600 |
| A3TP6 | 1251-0600 | 0 | | CONNECTOR-SGL CONT PIN 1.14-MM-BSC-SZ SQ | 28480 | 1251-0600 |
| A3TP7 | 1251-0600 | 0 | | CONNECTOR-SGL CONT PIN 1.14-MM-BSC-SZ SQ | 28480 | 1251-0600 |
| A3U1 | 1820-1422 | 3 | | IC INV TTL LS MONOSTBL RETRIG | 01295 | SN74LS122N |
| A3U2 | 1820-1417 | 6 | 1 | IC GATE TTL LS NAND QUAD 2-INP | 01295 | SN74LS26N |
| A3VR1 | 1802-3104 | 6 | 3 | DIODE-ZNR 5.62V 5% DO-35 PD=.4W | 28490 | 1802-3104 |
| A3VR2 | 1802-3002 | 3 | 2 | DIODE-ZNR 2.37V 5% DO-7 PD=.4W TC=-.074% | 28480 | 1802-3002 |
| A4 | 08684-60007 | 1 | 1 | WIDTH GENERATOR BOARD | 28480 | 08684-60007 |
| A4C1 | 0160-2055 | 9 | | CAPACITOR-FXD .01UF +80-20% 100VDC CER | 28480 | 0160-2055 |
| A4C2 | 0160-2055 | 9 | | CAPACITOR-FXD .01UF +80-20% 100VDC CER | 28480 | 0160-2055 |
| A4C3 | 0160-2055 | 9 | | CAPACITOR-FXD .01UF +80-20% 100VDC CER | 28480 | 0160-2055 |
| A4C4 | 0160-2055 | 9 | | CAPACITOR-FXD .01UF +80-20% 100VDC CER | 28480 | 0160-2055 |
| A4C5 | 0160-2055 | 9 | | CAPACITOR-FXD .01UF +80-20% 100VDC CER | 28480 | 0160-2055 |
| A4C6 | 0160-2055 | 9 | | CAPACITOR-FXD .01UF +80-20% 100VDC CER | 28480 | 0160-2055 |
| A4C7 | 0160-0127 | 2 | | CAPACITOR-FXD 1UF +-20% 25VDC CER | 23480 | 0160-0127 |
| A4C8 | 0160-0127 | 2 | | CAPACITOR-FXD 1UF +-20% 25VDC CER | 28480 | 0160-0127 |
| A4C9 | 0160-0127 | 2 | | CAPACITOR-FXD 1UF +-20% 25VDC CER | 28480 | 0160-0127 |
| A4C10 | 0160-0127 | 2 | | CAPACITOR-FXD 1UF +-20% 25VDC CER | 28480 | 0160-0127 |
| A4C11 | 0160-0127 | 2 | | CAPACITOR-FXD 1UF +-20% 25VDC CER | 28480 | 0160-0127 |
| A4C12 | 0160-0127 | 2 | | CAPACITOR-FXD 1UF +-20% 25VDC CER | 28480 | 0160-0127 |
| A4C13 | 0180-0116 | 1 | | CAPACITOR-FXD 6.8UF+-10% 35VDC TA | 56289 | 150D685X9035B2 |
| A4C14 | 0180-0116 | 1 | | CAPACITOR-FXD 6.8UF+-10% 35VDC TA | 56289 | 150D685X9035B2 |
| A4C15 | 0180-0116 | 1 | | CAPACITOR-FXD 6.8UF+-10% 35VDC TA | 56289 | 150D685X9035B2 |
| A4C16 | 0160-2055 | 9 | | CAPACITOR-FXD .01UF +80-20% 100VDC CER | 28480 | 0160-2055 |
| A4C17 | 0160-2055 | 9 | | CAPACITOR-FXD .01UF +80-20% 100VDC CER | 28480 | 0160-2055 |
| A4C18 | 0160-2055 | 9 | | CAPACITOR-FXD .01UF +80-20% 100VDC CER | 28480 | 0160-2055 |
| A4C19 | 0160-2055 | 9 | | CAPACITOR-FXD .01UF +80-20% 100VDC CER | 28480 | 0160-2055 |
| A4C20 | 0160-2055 | 9 | | CAPACITOR-FXD .01UF +80-20% 100VDC CER | 28480 | 0160-2055 |
| A4C21 | 0160-2055 | 9 | | CAPACITOR-FXD .01UF +80-20% 100VDC CER | 28480 | 0160-2055 |
| A4C22 | 0160-2055 | 9 | | CAPACITOR-FXD .01UF +80-20% 100VDC CER | 28480 | 0160-2055 |
| A4C23 | 0160-0576 | 5 | | CAPACITOR-FXD .1UF +-20% 50VDC CER | 28480 | 0160-0576 |
| A4C24 | 0160-0576 | 5 | | CAPACITOR-FXD .1UF +-20% 50VDC CER | 28480 | 0160-0576 |
| A4C25 | 0180-2207 | 5 | | CAPACITOR-FXD 100UF+-10% 10VDC TA | 56289 | 150D107X9010R2 |
| A4C26 | 0180-2247 | 3 | | CAPACITOR-FXD 10UF+-5% 20VDC TA | 56289 | 150D106X5020B2 |
| A4C27 | 0180-1980 | 9 | | CAPACITOR-FXD 1UF+-5% 35VDC TA | 56289 | 150D105X5035A2 |
| A4C28 | 0160-2671 | 5 | | CAPACITOR-FXD .1UF +-5% 80VDC POLYE | 28480 | 0160-2671 |
| A4C29 | 0160-4426 | 2 | | CAPACITOR-FXD .01UF +-1% 100VDC CER | 28480 | 0160-4426 |
| A4C30 | 0160-3750 | 3 | | CAPACITOR-FXD 820PF +-5% 50VDC CER | 28480 | 0160-3750 |
| A4C31 | 0160-0576 | 5 | | CAPACITOR-FXD .1UF +-20% 50VDC CER | 28480 | 0160-0576 |
| A4C32 | 0160-0576 | 5 | | CAPACITOR-FXD .1UF +-20% 50VDC CER | 28480 | 0160-0576 |
| A4C33 | 0160-3879 | 7 | | CAPACITOR-FXD .01UF +-20% 100VDC CER | 28480 | 0160-3879 |
| A4C34 | 0160-0127 | 2 | | CAPACITOR-FXD 1UF +-20% 25VDC CER | 28480 | 0160-0127 |
| A4C35 | 0121-0105 | 4 | | CAPACITOR-V TRMR-CER 9-35°F 200V PC-MTG | 52763 | 304324 9/35PF N650 |

See introduction to this section for ordering information
 *Indicates factory selected value
 †Backdating information in Section VII

Table 6-3. Replaceable Parts

| Reference Designation | HP Part Number | C D | Qty | Description | Mfr Code | Mfr Part Number |
|-----------------------|----------------|--------|-----|---|----------|----------------------|
| A4C36 | 0160-0127 | 2 | | CAPACITOR-FXD 1UF +-20% 25VDC CER | 28480 | 0160-0127 |
| A4C37 | 0160-0127 | 2 | | CAPACITOR-FXD 1UF +-20% 25VDC CER | 28480 | 0160-0127 |
| A4C38 | 0160-4492 | 2 | 1 | CAPACITOR-FXD 18PF +-5% 200VDC CER 0+-30 | 28480 | 0160-4492 |
| A4C39 | 0160-0127 | 2 | | CAPACITOR-FXD 1UF +-20% 25VDC CER | 28480 | 0160-0127 |
| A4C40 | 0160-0197 | 8 | | CAPACITOR-FXD 2.2UF+-10% 20VDC TA | 56289 | 150D225X9020A2 |
| A4C41 | 0160-0197 | 8 | | CAPACITOR-FXD 2.2UF+-10% 20VDC TA | 56289 | 150D225X9020A2 |
| A4C42 | 0160-0127 | 2 | | CAPACITOR-FXD 1UF +-20% 25VDC CER | 28480 | 0160-0127 |
| A4CR1 | 1601-0050 | 3 | | DIODE-SWITCHING 80V 200MA 2NS DO-35 | 28480 | 1601-0050 |
| A4CR2 | 1601-0040 | 1 | | DIODE-SWITCHING 30V 50MA 2NS DO-35 | 28480 | 1601-0040 |
| A4CR3 | 1601-0040 | 1 | | DIODE-SWITCHING 30V 50MA 2NS DO-35 | 28480 | 1601-0040 |
| A4CR4 | 1601-0050 | 3 | | DIODE-SWITCHING 80V 200MA 2NS DO-35 | 28480 | 1601-0050 |
| A4CR5 | 1601-0050 | 3 | | DIODE-SWITCHING 80V 200MA 2NS DO-35 | 28480 | 1601-0050 |
| A4J1 | 1250-1220 | 0 | | CONNECTOR-RF SMC M FC 50-OHM | 28480 | 1250-1220 |
| | 2190-0124 | 4 | | WASHER-LK INTL T NO. 10 .195-IN-ID | 28480 | 2190-0124 |
| | 2950-0078 | 9 | | NUT-HEX-DBL-CHAM 10-32-THD .067-IN-THK | 28480 | 2950-0078 |
| A4J2 | 1250-1220 | 0 | | CONNECTOR-RF SMC M FC 50-OHM | 28480 | 1250-1220 |
| | 2190-0124 | 4 | | WASHER-LK INTL T NO. 10 .195-IN-ID | 28480 | 2190-0124 |
| | 2950-0078 | 9 | | NUT-HEX-DBL-CHAM 10-32-THD .067-IN-THK | 28480 | 2950-0078 |
| A4L1 | 9100-3922 | 4 | | INDUCTOR-FIXED 120-1300 HZ | 28480 | 9100-3922 |
| A4L2 | 9100-3922 | 4 | | INDUCTOR-FIXED 120-1300 HZ | 28480 | 9100-3922 |
| A4L3 | 9100-3922 | 4 | | INDUCTOR-FIXED 120-1300 HZ | 28480 | 9100-3922 |
| A4L4 | 9140-0179 | 1 | | INDUCTOR RF-CH-MLD 220UH 10% .166DX.385LG | 28480 | 9140-0179 |
| A4L5 | 9100-1611 | 4 | 2 | INDUCTOR RF-CH-MLD 220NH 20% | 28480 | 9100-1611 |
| A4L6 | 9100-2256 | 5 | 2 | INDUCTOR RF-CH-MLD 560NH 10% .105DX.26LG | 28480 | 9100-2256 |
| A4L7 | 9140-0158 | 6 | 1 | INDUCTOR RF-CH-MLD 1UH 10% .105DX.26LG | 28480 | 9140-0158 |
| A4L8 | 9100-2256 | 5 | | INDUCTOR RF-CH-MLD 560NH 10% .105DX.26LG | 28480 | 9100-2256 |
| A4MP1 | 08684-00013 | 3 | 1 | COVER-WIDTH GENERATOR | 28480 | 08684-00013 |
| A4MP2 | 5021-0866 | 7 | | KNOB-P.C. BOARD PULLER | 28480 | 5021-0866 |
| | 0515-0211 | 8 | | SCREW-MACH M3 X 0.5 BMM-LG PAN-HD | 00000 | ORDER BY DESCRIPTION |
| A4MP3 | 0510-0034 | 3 | | RETAINER-RING BWD EXT .25-IN-DIA STL | 28480 | 0510-0034 |
| A4Q1 | 1854-0013 | 7 | 2 | TRANSISTOR NPN 2N2218A SI TO-5 PD-800MW | 04713 | 2N2218A |
| A4Q2 | 1854-0013 | 7 | | TRANSISTOR NPN 2N2218A SI TO-5 PD-800MW | 04713 | 2N2218A |
| A4Q3 | 1854-0345 | 8 | | TRANSISTOR NPN 2N5179 SI TO-72 PD-200MW | 04713 | 2N5179 |
| A4Q4 | 1854-0345 | 8 | | TRANSISTOR NPN 2N5179 SI TO-72 PD-200MW | 04713 | 2N5179 |
| A4Q5 | 1854-0345 | 8 | | TRANSISTOR NPN 2N5179 SI TO-72 PD-200MW | 04713 | 2N5179 |
| A4Q6 | 1853-0218 | 8 | | TRANSISTOR PNP SI TO-18 PD-360MW | 28480 | 1853-0218 |
| A4Q7 | 1854-0345 | 8 | | TRANSISTOR NPN 2N5179 SI TO-72 PD-200MW | 04713 | 2N5179 |
| A4Q8 | 1853-0036 | 2 | | TRANSISTOR PNP SI PD-310MW FT-250MHZ | 28480 | 1853-0036 |
| A4Q9 | 1853-0036 | 2 | | TRANSISTOR PNP SI PD-310MW FT-250MHZ | 28480 | 1853-0036 |
| A4Q10 | 1853-0036 | 2 | | TRANSISTOR PNP SI PD-310MW FT-250MHZ | 28480 | 1853-0036 |
| A4Q11 | 1853-0036 | 2 | | TRANSISTOR PNP SI PD-310MW FT-250MHZ | 28480 | 1853-0036 |
| A4Q12 | 1853-0036 | 2 | | TRANSISTOR PNP SI PD-310MW FT-250MHZ | 28480 | 1853-0036 |
| A4Q13 | 1853-0036 | 2 | | TRANSISTOR PNP SI PD-310MW FT-250MHZ | 28480 | 1853-0036 |
| A4Q14 | 1853-0036 | 2 | | TRANSISTOR PNP SI PD-310MW FT-250MHZ | 28480 | 1853-0036 |
| A4R1 | 0757-0428 | 1 | | RESISTOR 1.62K 1% .125W F TC-0+-100 | 24546 | C4-1/8-TO-1621-F |
| A4R2 | 0698-0085 | 0 | | RESISTOR 2.61K 1% .125W F TC-0+-100 | 24546 | C4-1/8-TO-2611-F |
| A4R3 | 0698-0085 | 0 | | RESISTOR 2.61K 1% .125W F TC-0+-100 | 24546 | C4-1/8-TO-2611-F |
| A4R4 | 0698-0085 | 0 | | RESISTOR 2.61K 1% .125W F TC-0+-100 | 24546 | C4-1/8-TO-2611-F |
| A4R5 | 0698-0085 | 0 | | RESISTOR 2.61K 1% .125W F TC-0+-100 | 24546 | C4-1/8-TO-2611-F |
| A4R6 | 0698-0085 | 0 | | RESISTOR 2.61K 1% .125W F TC-0+-100 | 24546 | C4-1/8-TO-2611-F |
| A4R7 | 0698-0085 | 0 | | RESISTOR 2.61K 1% .125W F TC-0+-100 | 24546 | C4-1/8-TO-2611-F |
| A4R8 | 0698-3439 | 2 | | RESISTOR 178 1% .125W F TC-0+-100 | 24546 | C4-1/8-TO-178R-F |
| A4R9 | 0757-0438 | 3 | | RESISTOR 5.11K 1% .125W F TC-0+-100 | 24546 | C4-1/8-TO-5111-F |
| A4R10 | 0757-0439 | 3 | | RESISTOR 5.11K 1% .125W F TC-0+-100 | 24546 | C4-1/8-TO-5111-F |
| A4R11 | 0757-0438 | 3 | | RESISTOR 5.11K 1% .125W F TC-0+-100 | 24546 | C4-1/8-TO-5111-F |
| A4R12 | 0757-0438 | 3 | | RESISTOR 5.11K 1% .125W F TC-0+-100 | 24546 | C4-1/8-TO-5111-F |
| A4R13 | 0757-0438 | 3 | | RESISTOR 5.11K 1% .125W F TC-0+-100 | 24546 | C4-1/8-TO-5111-F |
| A4R14 | 0757-0438 | 3 | | RESISTOR 5.11K 1% .125W F TC-0+-100 | 24546 | C4-1/8-TO-5111-F |
| A4R15 | 0757-0416 | 7 | | RESISTOR 511 1% .125W F TC-0+-100 | 24546 | C4-1/8-TO-511R-F |
| A4R16 | 0698-3158 | 4 | | RESISTOR 23.7K 1% .125W F TC-0+-100 | 24546 | C4-1/8-TO-2372-F |
| A4R17 | 0698-3158 | 4 | | RESISTOR 23.7K 1% .125W F TC-0+-100 | 24546 | C4-1/8-TO-2372-F |
| A4R18 | 0698-3158 | 4 | | RESISTOR 23.7K 1% .125W F TC-0+-100 | 24546 | C4-1/8-TO-2372-F |
| A4R19 | 0698-3158 | 4 | | RESISTOR 23.7K 1% .125W F TC-0+-100 | 24546 | C4-1/8-TO-2372-F |
| A4R20 | 0698-3158 | 4 | | RESISTOR 23.7K 1% .125W F TC-0+-100 | 24546 | C4-1/8-TO-2372-F |

See introduction to this section for ordering information
 *Indicates factory selected value
 †Backdating information in Section VII

Table 6-3. Replaceable Parts

| Reference Designation | HP Part Number | C D | Qty | Description | Mfr Code | Mfr Part Number |
|-----------------------|----------------|-----|-----|--|----------|------------------|
| A4R21 | 0698-3158 | 4 | | RESISTOR 23.7K 1% .125W F TC=0+-100 | 24546 | C4-1/8-T0-2372-F |
| A4R22 | 0698-8827 | 4 | | RESISTOR 1M 1% .125W F TC=0+-100 | 28480 | 0698-8827 |
| A4R23 | 0698-8827 | 4 | | RESISTOR 1M 1% .125W F TC=0+-100 | 28480 | 0698-8827 |
| A4R24 | 0698-8827 | 4 | | RESISTOR 1M 1% .125W F TC=0+-100 | 28480 | 0698-8827 |
| A4R25 | 0698-8827 | 4 | | RESISTOR 1M 1% .125W F TC=0+-100 | 28480 | 0698-8827 |
| A4R26 | 0698-8827 | 4 | | RESISTOR 1M 1% .125W F TC=0+-100 | 28480 | 0698-8827 |
| A4R27 | 0698-8827 | 4 | | RESISTOR 1M 1% .125W F TC=0+-100 | 28480 | 0698-8827 |
| A4R28 | 0698-0084 | 9 | | RESISTOR 2.15K 1% .125W F TC=0+-100 | 24546 | C4-1/8-T0-2151-F |
| A4R29 | 0757-0278 | 9 | | RESISTOR 1.79K 1% .125W F TC=0+-100 | 24546 | C4-1/8-T0-1781-F |
| A4R30 | 0698-3132 | 4 | | RESISTOR 261 1% .125W F TC=0+-100 | 24543 | C4-1/8-T0-2610-F |
| A4R31 | 0698-3434 | 9 | | RESISTOR 34.8 1% .125W F TC=0+-100 | 24546 | C4-1/8-T0-3488-F |
| A4R32 | 0698-3434 | 9 | | RESISTOR 34.8 1% .125W F TC=0+-100 | 24546 | C4-1/8-T0-3488-F |
| A4R33 | 0698-4037 | 8 | | RESISTOR 46.4 1% .125W F TC=0+-100 | 24546 | C4-1/8-T0-4684-F |
| A4R34 | 0698-0090 | 7 | | RESISTOR 484 1% .5W F TC=0+-100 | 28480 | 0698-0090 |
| A4R35 | 0757-1094 | 9 | | RESISTOR 1.47K 1% .125W F TC=0+-100 | 24546 | C4-1/8-T0-1471-F |
| A4R36 | 0757-0416 | 7 | | RESISTOR 611 1% .125W F TC=0+-100 | 24546 | C4-1/8-T0-611R-F |
| A4R37 | 0757-0418 | 9 | 2 | RESISTOR 619 1% .125W F TC=0+-100 | 24546 | C4-1/8-T0-618R-F |
| A4R38 | 0757-0401 | 0 | | RESISTOR 100 1% .125W F TC=0+-100 | 24546 | C4-1/8-T0-101-F |
| A4R39 | 0698-3437 | 2 | | RESISTOR 133 1% .125W F TC=0+-100 | 24546 | C4-1/8-T0-133R-F |
| A4R40 | 0757-0394 | 0 | | RESISTOR 51.1 1% .125W F TC=0+-100 | 24546 | C4-1/8-T0-511R-F |
| A4R41 | 0757-0278 | 9 | | RESISTOR 1.78K 1% .125W F TC=0+-100 | 24546 | C4-1/8-T0-1781-F |
| A4R42 | 0698-3444 | 1 | 9 | RESISTOR 316 1% .125W F TC=0+-100 | 24543 | C4-1/8-T0-316R-F |
| A4R43 | 0757-0280 | 3 | | RESISTOR 1K 1% .125W F TC=0+-100 | 24546 | C4-1/3-T0-1001-F |
| A4R44 | 0698-3444 | 1 | | RESISTOR 316 1% .125W F TC=0+-100 | 24546 | C4-1/8-T0-316R-F |
| A4R45 | 0757-0278 | 0 | | RESISTOR 3.16K 1% .125W F TC=0+-100 | 24546 | C4-1/8-T0-3161-F |
| A4R46 | 0698-3440 | 7 | | RESISTOR 196 1% .125W F TC=0+-100 | 24546 | C4-1/8-T0-196R-F |
| A4R47 | 0698-3455 | 4 | | RESISTOR 261K 1% .125W F TC=0+-100 | 24546 | C4-1/8-T0-2613-F |
| A4R48 | 0698-3455 | 4 | | RESISTOR 261K 1% .125W F TC=0+-100 | 24546 | C4-1/8-T0-2613-F |
| A4R49 | 0698-3444 | 1 | | RESISTOR 316 1% .125W F TC=0+-100 | 24546 | C4-1/8-T0-316R-F |
| A4R50 | 0698-3444 | 1 | | RESISTOR 316 1% .125W F TC=0+-100 | 24546 | C4-1/8-T0-316R-F |
| A4TP1 | 1251-0600 | 0 | | CONNECTOR-SQL CONT PIN 1.14-MM-BSC-SZ SQ | 28480 | 1251-0600 |
| A4TP2 | 1251-0600 | 0 | | CONNECTOR-SQL CONT PIN 1.14-MM-BSC-SZ SQ | 28480 | 1251-0600 |
| A4TP3 | 1251-0600 | 0 | | CONNECTOR-SQL CONT PIN 1.14-MM-BSC-SZ SQ | 28480 | 1251-0600 |
| A4TP4 | 1251-0600 | 0 | | CONNECTOR-SQL CONT PIN 1.14-MM-BSC-SZ SQ | 28480 | 1251-0600 |
| A4U1 | 1820-1112 | 8 | 2 | IC FF TTL LS D-TYPE POS-EDGE-TRIG | 01295 | SN74LS74AN |
| A4U2 | 1820-1112 | 8 | | IC FF TTL LS D-TYPE POS-EDGE-TRIG | 01295 | SN74LS74AN |
| A4U3 | 1820-1287 | 8 | 1 | IC BFR TTL LS NAND QUAD 2-IMP | 01295 | SN74LS371 |
| A4U4 | 1820-1423 | 4 | 1 | IC MV TTL LS MONOSTBL RETRIG DUAL | 01295 | SN74LS123N |
| A4VR1 | 1902-3104 | 6 | | DIODE-ZNR 5.62V 5K DO-35 PD+.4W | 28480 | 1902-3104 |
| A4VR2 | 1902-3002 | 3 | | DIODE-ZNR 2.37V 5K DO-7 PD+.4W TC+-074% | 28480 | 1902-3002 |
| AS | 08684-60011 | 7 | 1 | ALC CONTROL BOARD | 28480 | 08684-60011 |
| ASC1 | 0160-2055 | 9 | | CAPACITOR-FXD .01UF +80-20% 100VDC CER | 28480 | 0160-2055 |
| ASC2 | 0160-2055 | 6 | | CAPACITOR-FXD .01UF +80-20% 100VDC CER | 28480 | 0160-2055 |
| ASC3 | 0160-2055 | 9 | | CAPACITOR-FXD .01UF +80-20% 100VDC CER | 28480 | 0160-2055 |
| ASC4 | 0160-2055 | 9 | | CAPACITOR-FXD .01UF +80-20% 100VDC CER | 28480 | 0160-2055 |
| ASC5 | 0160-2307 | 4 | 1 | CAPACITOR-FXD 47PF +-5% 300VDC MICA | 28480 | 0160-2307 |
| ASC6 | 0180-0116 | 1 | | CAPACITOR-FXD 6.8UF+-10% 35VDC TA | 56289 | 150D685X9035B2 |
| ASC7 | 0160-0576 | 5 | | CAPACITOR-FXD .1UF +-20% 50VDC CER | 28480 | 0160-0576 |
| ASC8 | 0160-0576 | 5 | | CAPACITOR-FXD .1UF +-20% 50VDC CER | 28480 | 0160-0576 |
| ASC9 | 0180-0576 | 5 | | CAPACITOR-FXD .1UF +-20% 50VDC CER | 28480 | 0160-0576 |
| ASC10 | 0160-2055 | 9 | | CAPACITOR-FXD .01UF +80-20% 100VDC CER | 28480 | 0160-2055 |
| ASC11 | 0180-0116 | 1 | | CAPACITOR-FXD 6.8UF+-10% 35VDC TA | 56289 | 150D685X9035B2 |
| ASC12 | 0180-0116 | 1 | | CAPACITOR-FXD 6.8UF+-10% 35VDC TA | 56289 | 150D685X9035B2 |
| ASC13 | 0180-0116 | 1 | | CAPACITOR-FXD 6.8UF+-10% 35VDC TA | 56289 | 150D685X9035B2 |
| ASC14 | 0160-2199 | 2 | 2 | CAPACITOR-FXD 30PF +-5% 300VDC MICA | 28480 | 0160-2199 |
| ASC15 | 0160-2055 | 9 | | CAPACITOR-FXD .01UF +80-20% 100VDC CER | 28480 | 0160-2055 |
| ASC16 | 0160-2055 | 9 | | CAPACITOR-FXD .01UF +80-20% 100VDC CER | 28480 | 0160-2055 |
| ASC17 | 0160-3830 | 0 | 1 | CAPACITOR-FXD 5UF +-10% 50VDC MET-POLYC | 28480 | 0160-3830 |
| ASC18 | 0160-0576 | 5 | | CAPACITOR-FXD .1UF +-20% 50VDC CER | 28480 | 0160-0576 |
| ASC19 | 0160-5030 | 6 | 1 | CAPACITOR-FXD 2200PF +-5% 300VAC(RMS) | 28480 | 0160-5030 |
| ASC20 | 0180-0553 | 0 | 3 | CAPACITOR-FXD 22UF+-20% 25VDC TA | 28480 | 0180-0553 |

See introduction to this section for ordering information
 *Indicates factory selected value
 +Backdating information in Section VII

Table 6-3. Replaceable Parts

| Reference Designation | HP Part Number | C D | Qty | Description | Mfr Code | Mfr Part Number |
|-----------------------|----------------|-----|-----|--|----------|----------------------|
| ASC21 | 0160-2055 | | 9 | CAPACITOR-FXD .01UF +-80-20% 100VDC CER | 28480 | 0160-2055 |
| ASC22 | 0160-0576 | | 5 | CAPACITOR-FXD .1UF +-20% 50VDC CER | 28480 | 0160-0576 |
| ASC23 | 0160-2055 | | 9 | CAPACITOR-FXD .01UF +-80-20% 100VDC CER | 28480 | 0160-2055 |
| ASC24 | 0160-0127 | | 2 | CAPACITOR-FXD 1UF +-20% 25VDC CER | 28480 | 0160-0127 |
| ASC25 | 0160-0116 | | 1 | CAPACITOR-FXD 6.8UF+-10% 35VDC TA | 56289 | 150D685X903582 |
| ASC26 | 0160-3879 | | 7 | CAPACITOR-FXD .01UF +-20% 100VDC CER | 28480 | 0160-3879 |
| ASC27 | 0160-2815 | | 1 | CAPACITOR-FXD 100UF+-20% 10VDC TA | 28480 | 0160-2815 |
| ASC28 | 0160-3466 | | 8 | CAPACITOR-FXD 100PF +-10% 1KVDC CER | 28480 | 0160-3466 |
| ASC29 | 0160-0576 | | 5 | CAPACITOR-FXD .1UF +-20% 50VDC CER | 28480 | 0160-0576 |
| ASC30 | 0160-3879 | | 7 | CAPACITOR-FXD .01UF +-20% 100VDC CER | 28480 | 0160-3879 |
| ASC31* | 0160-2262 | | 1 | CAPACITOR-FXD 18PF +-5% 500VDC CER 0+-30 | 28480 | 0160-2262 |
| ASC32 | 0160-0576 | | 5 | CAPACITOR-FXD .1UF +-20% 50VDC CER | 28480 | 0160-0576 |
| ASC33 | 0160-0127 | | 2 | CAPACITOR-FXD 1UF +-20% 25VDC CER | 28480 | 0160-0127 |
| ASC34 | 0160-0576 | | 5 | CAPACITOR-FXD .1UF +-20% 50VDC CER | 28480 | 0160-0576 |
| ASC35 | 0160-2683 | | 1 | CAPACITOR-FXD 4.7UF+-20% 35VDC TA | 28480 | 0160-2683 |
| ASC36* | | | | NOT ASSIGNED | | |
| ASCR1 | 1901-0518 | | 8 | DIODE-SM SIG SCHOTTKY | 28480 | 1901-0518 |
| ASCR2 | 1901-0518 | | 8 | DIODE-SM SIG SCHOTTKY | 28480 | 1901-0518 |
| ASCR3 | 1901-0050 | | 3 | DIODE-SWITCHING 80V 200MA 2NS DO-35 | 28480 | 1901-0050 |
| ASCR4 | 1901-0050 | | 3 | DIODE-SWITCHING 80V 200MA 2NS DO-35 | 28480 | 1901-0050 |
| ASCR5 | 1901-0050 | | 3 | DIODE-SWITCHING 80V 200MA 2NS DO-35 | 28480 | 1901-0050 |
| ASCR6 | 1901-0050 | | 3 | DIODE-SWITCHING 80V 200MA 2NS DO-35 | 28480 | 1901-0050 |
| ASCR7 | 1901-0050 | | 3 | DIODE-SWITCHING 80V 200MA 2NS DO-35 | 28480 | 1901-0050 |
| ASCR8 | 1901-0050 | | 3 | DIODE-SWITCHING 80V 200MA 2NS DO-35 | 28480 | 1901-0050 |
| ASCR9 | 1901-0050 | | 3 | DIODE-SWITCHING 80V 200MA 2NS DO-35 | 28480 | 1901-0050 |
| ASCR10 | 1901-0050 | | 3 | DIODE-SWITCHING 80V 200MA 2NS DO-35 | 28480 | 1901-0050 |
| ASCR11 | 1901-0050 | | 3 | DIODE-SWITCHING 80V 200MA 2NS DO-35 | 28480 | 1901-0050 |
| ASCR12 | 1901-0050 | | 3 | DIODE-SWITCHING 80V 200MA 2NS DO-35 | 28480 | 1901-0050 |
| ASCR13 | 1901-0033 | | 2 | DIODE-GEN PRP 180V 200MA DO-7 | 28480 | 1901-0033 |
| ASJ1 | 1250-1220 | | 0 | CONNECTOR-RF SMC M PC 50-OHM | 28480 | 1250-1220 |
| | 2190-0124 | | 4 | WASHER-LK INTL Y NO. 10 .195-IN-ID | 28480 | 2190-0124 |
| | 2950-0078 | | 9 | NUT-HEX-DBL-CHAM 10-32-THD .067-IN-THK | 28480 | 2950-0078 |
| ASK1 | 0490-0916 | | 6 | RELAY-REED 1A 500MA 100VDC 5VDC-COIL | 28480 | 0490-0916 |
| ASL1 | 9140-0210 | | 1 | INDUCTOR RF-CH-MLD 100UH 5% .166DX.385LG | 28480 | 9140-0210 |
| ASL2 | 9100-3922 | | 4 | INDUCTOR-FIXED 120-1300 HZ | 28480 | 9100-3922 |
| ASL3 | 9140-0210 | | 1 | INDUCTOR RF-CH-MLD 100UH 5% .166DX.385LG | 28480 | 9140-0210 |
| ASL4 | 9100-3922 | | 4 | INDUC-FIXED 120-1300 HZ | 28480 | 9100-3922 |
| ASL5 | 9140-0210 | | 1 | INDUCTOR RF-CH-MLD 100UH 5% .166DX.385LG | 28480 | 9140-0210 |
| ASL6 | 9100-1625 | | 0 | INDUCTOR RF-CH-MLD 33UH 5% .166DX.385LG | 28480 | 9100-1625 |
| ASHP1 | 08684-00017 | | 7 | COVER-ALC CONTROL | 28480 | 08684-00017 |
| ASHP2 | 5021-0866 | | 7 | KNOB-P.C. BOARD PULLER | 28480 | 5021-0866 |
| | 0515-0211 | | 8 | SCREW-MACH M3 X 0.5 6MM-LG PAN-HD | 00000 | ORDER BY DESCRIPTION |
| ASHP3 | 0510-0034 | | 3 | RETAINER-RING BWD EXT .25-IN-DIA STL | 28480 | 0510-0034 |
| ASQ1 | 1855-0414 | | 4 | TRANSISTOR J-FET 2N4393 N-CHAN D-MODE | 04713 | 2N4393 |
| ASQ2 | 1854-0477 | | 7 | TRANSISTOR NPN 2N2222A SI TO-18 PD=500MW | 04713 | 2N2222A |
| ASQ3 | 1853-0316 | | 1 | TRANSISTOR-DUAL PNP PD=500MW | 28480 | 1853-0316 |
| ASQ4 | 1854-0477 | | 7 | TRANSISTOR NPN 2N2222A SI TO-18 PD=500MW | 04713 | 2N2222A |
| ASQ5 | 1855-0081 | | 1 | TRANSISTOR J-FET N-CHAN D-MODE SI | 28480 | 1855-0081 |
| ASQ6 | 1853-0034 | | 0 | TRANSISTOR PNP SI TO-18 PD=360MW | 28480 | 1853-0034 |
| ASQ7 | 1854-0071 | | 7 | TRANSISTOR NPN SI PD=300MW FT=200MHZ | 28480 | 1854-0071 |
| ASQ8 | 1858-0032 | | 8 | TRANSISTOR ARRAY 14-PIN PLSTC DIP | 3585 | CA3146E |
| ASQ9 | | | | NOT ASSIGNED | | |
| ASQ10 | 1854-0071 | | 7 | TRANSISTOR NPN SI PD=300MW FT=200MHZ | 28480 | 1854-0071 |
| ASQ11 | 1853-0281 | | 9 | TRANSISTOR PNP 2N2907A SI TO-18 PD=400MW | 04713 | 2N2907A |
| ASQ12 | 1853-0314 | | 9 | TRANSISTOR PNP 2N2905A SI TO-39 PD=800MW | 04713 | 2N2905A |
| ASQ13 | 1853-0459 | | 3 | TRANSISTOR PNP SI PD=625MW FT=200MHZ | 28480 | 1853-0459 |
| ASQ14 | 1853-0459 | | 3 | TRANSISTOR PNP SI PD=625MW FT=200MHZ | 28480 | 1853-0459 |
| ASQ15 | 1853-0459 | | 3 | TRANSISTOR PNP SI PD=625MW FT=200MHZ | 28480 | 1853-0459 |
| ASQ16- | | | | NOT ASSIGNED | | |
| ASQ19 | | | | TRANSISTOR NPN SI PD=625MW FT=200MHZ | 28480 | 1854-0810 |
| ASQ20 | 1854-0810 | | 2 | TRANSISTOR NPN SI PD=625MW FT=200MHZ | 28480 | 1854-0810 |
| ASQ21 | 1853-0459 | | 3 | TRANSISTOR PNP SI PD=625MW FT=200MHZ | 28480 | 1853-0459 |
| ASQ22 | 1855-0420 | | 2 | TRANSISTOR J-FET 2N4391 N-CHAN D-MODE | 01295 | 2N4391 |

See introduction to this section for ordering information
 *Indicates factory selected value
 †Backdating information in Section VII

Table 6-3. Replaceable Parts

| Reference Designation | HP Part Number | C D | Qty | Description | Mfr Code | Mfr Part Number |
|-----------------------|----------------|--------|-----|---|----------|--------------------|
| ASR1 | 0757-0465 | 6 | 18 | RESISTOR 100K 1% .125W F TC=0+-100 | 24546 | C4-1/8-T0-1003-F |
| ASR2 | 0757-0280 | 3 | | RESISTOR 1K 1% .125W F TC=0+-100 | 24546 | C4-1/8-T0-1001-F |
| ASR3 | 0757-0465 | 6 | | RESISTOR 100K 1% .125W F TC=0+-100 | 24546 | C4-1/8-T0-1003-F |
| ASR4 | 2100-2489 | 9 | | RESISTOR-TRMR 5K 10% C SIDE-ADJ 1-TRN | 30983 | ET50X502 |
| ASR5 | 0757-0428 | 1 | | RESISTOR 1.62K 1% .125W F TC=0+-100 | 24546 | C4-1/8-T0-1621-F |
| ASR6 | 0757-0123 | 3 | 1 | RESISTOR 34.8K 1% .125W F TC=0+-100 | 28480 | 0757-0123 |
| ASR7 | 0757-0428 | 1 | | RESISTOR 1.02K 1% .125W F TC=0+-100 | 24546 | C4-1/8-T0-1621-F |
| ASR8 | 0757-0280 | 3 | | RESISTOR 1K 1% .125W F TC=0+-100 | 24546 | C4-1/8-T0-1001-F |
| ASR9 | 2100-2633 | 5 | | RESISTOR-TRMR 1K 10% C SIDE-ADJ 1-TRN | 30983 | ET50X102 |
| ASR10 | 0757-0280 | 2 | | RESISTOR 13.3K 1% .125W F TC=0+-100 | 19701 | MF4C1/8-T0-1332-F |
| ASR11 | 0757-0280 | 3 | 8 | RESISTOR 1K 1% .125W F TC=0+-100 | 24546 | C4-1/8-T0-1001-F |
| ASR12 | 0757-0199 | 3 | | RESISTOR 21.5K 1% .125W F TC=0+-100 | 24546 | C4-1/8-T0-2152-F |
| ASR13 | 0757-0199 | 3 | | RESISTOR 21.5K 1% .125W F TC=0+-100 | 24546 | C4-1/8-T0-2152-F |
| ASR14 | 0757-0416 | 7 | | RESISTOR 511 1% .125W F TC=0+-100 | 24546 | C4-1/8-T0-511R-F |
| ASR15 | 0757-0442 | 9 | | RESISTOR 10K 1% .125W F TC=0+-100 | 24546 | C4-1/8-T0-1002-F |
| ASR16 | 0698-3442 | 9 | 16 | RESISTOR 237 1% .125W F TC=0+-100 | 24546 | C4-1/8-T0-237R-F |
| ASR17 | 0757-0440 | 7 | | RESISTOR 7.5K 1% .125W F TC=0+-100 | 24546 | C4-1/8-T0-7501-F |
| ASR18 | 0757-0280 | 3 | | RESISTOR 1K 1% .125W F TC=0+-100 | 24546 | C4-1/8-T0-1001-F |
| ASR19 | 0757-0280 | 3 | | RESISTOR 1K 1% .125W F TC=0+-100 | 24546 | C4-1/8-T0-1001-F |
| ASR20 | 0757-0280 | 3 | | RESISTOR 1K 1% .125W F TC=0+-100 | 24546 | C4-1/8-T0-1001-F |
| ASR21 | 0757-0401 | 0 | 1 | RESISTOR 100 1% .125W F TC=0+-100 | 24546 | C4-1/8-T0-101-F |
| ASR22 | 2100-3161 | 6 | | RESISTOR-TRMR 20K 10% C SIDE-ADJ 17-TRN | 02111 | 43P203 |
| ASR23 | 0757-0401 | 0 | | RESISTOR 100 1% .125W F TC=0+-100 | 24546 | C4-1/8-T0-101-F |
| ASR24 | 0757-0439 | 4 | | RESISTOR 6.81K 1% .125W F TC=0+-100 | 24546 | C4-1/8-T0-6811-F |
| ASR25 | 0757-0442 | 9 | | RESISTOR 10K 1% .125W F TC=0+-100 | 24546 | C4-1/8-T0-1002-F |
| ASR26 | 0757-0458 | 7 | 2 | RESISTOR 51.1K 1% .125W F TC=0+-100 | 24546 | C4-1/8-T0-5112-F |
| ASR27 | 0757-0279 | 0 | | RESISTOR 3.16K 1% .125W F TC=0+-100 | 24546 | C4-1/8-T0-3161-F |
| ASR28 | 0757-0419 | 0 | | RESISTOR 681 1% .125W F TC=0+-100 | 24546 | C4-1/8-T0-681R-F |
| ASR29 | 0698-3438 | 3 | | RESISTOR 147 1% .125W F TC=0+-100 | 24546 | C4-1/8-T0-147R-F |
| ASR30 | 0757-0438 | 3 | | RESISTOR 5.11K 1% .125W F TC=0+-100 | 24546 | C4-1/8-T0-5111-F |
| ASR31 | 0698-3438 | 3 | 1 | RESISTOR 147 1% .125W F TC=0+-100 | 24546 | C4-1/8-T0-147R-F |
| ASR32 | 0698-3404 | 3 | | RESISTOR 383 1% .5W F TC=0+-100 | 28480 | 0698-3404 |
| ASR33 | 0757-0405 | 4 | | RESISTOR 162 1% .125W F TC=0+-100 | 24546 | C4-1/8-T0-162R-F |
| ASR34 | 0698-3433 | 8 | | RESISTOR 28.7 1% .125W F TC=0+-100 | 03888 | PMES5-1/8-T0-287-F |
| ASR35 | 0698-3438 | 3 | | RESISTOR 147 1% .125W F TC=0+-100 | 24546 | C4-1/8-T0-147R-F |
| ASR36 | 0757-0290 | 5 | 2 | RESISTOR 6.19K 1% .125W F TC=0+-100 | 19701 | MF4C1/8-T0-6191-F |
| ASR37 | 0757-0200 | 7 | | RESISTOR 5.62K 1% .125W F TC=0+-100 | 24546 | C4-1/8-T0-5621-F |
| ASR38 | 0757-0465 | 6 | | RESISTOR 100K 1% .125W F TC=0+-100 | 24546 | C4-1/8-T0-1003-F |
| ASR39 | 0757-0278 | 9 | | RESISTOR 1.76K 1% .125W F TC=0+-100 | 24546 | C4-1/8-T0-1761-F |
| ASR40 | 2100-2489 | 9 | | RESISTOR-TRMR 5K 10% C SIDE-ADJ 1-TRN | 30983 | ET50X502 |
| ASR41 | 0757-0440 | 7 | 11 | RESISTOR 7.5K 1% .125W F TC=0+-100 | 24546 | C4-1/8-T0-7501-F |
| ASR42 | 0757-0280 | 3 | | RESISTOR 1K 1% .125W F TC=0+-100 | 24546 | C4-1/8-T0-1001-F |
| ASR43* | 0698-3155 | 1 | | RESISTOR 4.64K 1% .125W F TC=0+-100 | 24546 | C4-1/8-T0-4641-F |
| ASR44 | 0757-0440 | 7 | | RESISTOR 7.5K 1% .125W F TC=0+-100 | 24546 | C4-1/8-T0-7501-F |
| ASR45 | 0757-0440 | 7 | | RESISTOR 7.5K 1% .125W F TC=0+-100 | 24546 | C4-1/8-T0-7501-F |
| ASR46 | 0757-0401 | 0 | 1 | RESISTOR 100 1% .125W F TC=0+-100 | 24546 | C4-1/8-T0-101-F |
| ASR47 | 0698-3443 | 0 | | RESISTOR 287 1% .125W F TC=0+-100 | 24546 | C4-1/8-T0-287R-F |
| ASR48 | 2100-3274 | 2 | | RESISTOR-TRMR 10K 10% C SIDE-ADJ 1-TRN | 28480 | 2100-3274 |
| ASR49 | 0757-0440 | 7 | | RESISTOR 7.5K 1% .125W F TC=0+-100 | 24546 | C4-1/8-T0-7501-F |
| ASR50 | 0757-0420 | 3 | | RESISTOR 750 1% .125W F TC=0+-100 | 24546 | C4-1/8-T0-751-F |
| ASR51 | 0757-0401 | 0 | 1 | RESISTOR 100 1% .125W F TC=0+-100 | 24546 | C4-1/8-T0-101-F |
| ASR52 | 0757-0442 | 8 | | RESISTOR 10K 1% .125W F TC=0+-100 | 24546 | C4-1/8-T0-1002-F |
| ASR53 | 0757-0440 | 7 | | RESISTOR 7.5 1% .125W F TC=0+-100 | 24546 | C4-1/8-T0-7501-F |
| ASR54 | 0698-3400 | 9 | | RESISTOR 1.5 1% .5W F TC=0+-100 | 28480 | 0698-3400 |
| ASR55 | 0757-0465 | 6 | | RESISTOR 100K 1% .125W F TC=0+-100 | 24546 | C4-1/8-T0-1003-F |
| ASR56 | 0698-3155 | 1 | 3 | RESISTOR 4.64K 1% .125W F TC=0+-100 | 24546 | C4-1/8-T0-4641-F |
| ASR57 | 0757-0440 | 7 | | RESISTOR 7.5K 1% .125W F TC=0+-100 | 24546 | C4-1/8-T0-7501-F |
| ASR58 | 0757-0280 | 3 | | RESISTOR 1K 1% .125W F TC=0+-100 | 24546 | C4-1/8-T0-1001-F |
| ASR59 | 0757-0180 | 2 | | RESISTOR 31.6 1% .125W F TC=0+-100 | 28480 | 0757-0180 |
| ASR60 | 1810-0206 | 9 | | NETWORK-RES 8-SIPI0.0K OHM X 7 | 01121 | 208A103 |
| ASR61 | 1810-0206 | 8 | 1 | NETWORK-RES 8-SIF10.0K OHM X 7 | 01171 | 208A103 |
| ASR62 | 0757-0180 | 2 | | RESISTOR 31.6 1% .125W F TC=0+-100 | 28480 | 0757-0180 |
| ASR63 | 0698-3437 | 2 | | RESISTOR 133 1% .125W F TC=0+-100 | 24546 | C4-1/8-T0-133R-F |
| ASR64 | 0757-0464 | 5 | | RESISTOR 90.0K 1% .125W F TC=0+-100 | 24546 | C4-1/8-T0-9092-F |
| ASR65 | 0757-0384 | 0 | | RESISTOR 51.1 1% .125W F TC=0+-100 | 24546 | C4-1/8-T0-511R-F |

See introduction to this section for ordering information

*Indicates factory selected value

†Backdating information in Section VII

Table 6-3. Replaceable Parts

| Reference Designation | HP Part Number | C D | Qty | Description | Mfr Code | Mfr Part Number |
|-----------------------|----------------|-----|-----|--|----------|------------------|
| ASR66 | 0757-0465 | 6 | | RESISTOR 100K 1% .125W F TC=0+-100 | 24546 | C4-1/8-T0-1003-F |
| ASR67 | 0698-3100 | 8 | 5 | RESISTOR 31.6K 1% .125W F TC=0+-100 | 24546 | C4-1/8-T0-3162-F |
| ASTP1 | 1251-0600 | 0 | | CONNECTOR-SGL CONT PIN 1.14-MM-BSC-SZ SQ | 28480 | 1251-0600 |
| ASTP2 | 1251-0600 | 0 | | CONNECTOR-SGL CONT PIN 1.14-MM-BSC-SZ SQ | 28480 | 1251-0600 |
| ASTP3 | 1251-0600 | 0 | | CONNECTOR-SGL CONT PIN 1.14-MM-BSC-SZ SQ | 28480 | 1251-0600 |
| ASTP4 | 1251-0600 | 0 | | CONNECTOR-SGL CONT PIN 1.14-MM-BSC-SZ SQ | 28480 | 1251-0600 |
| ASTP5 | 1251-0600 | 0 | | CONNECTOR-SGL CONT PIN 1.14-MM-BSC-SZ SQ | 28480 | 1251-0600 |
| ASTP6 | 1251-0600 | 0 | | CONNECTOR-SGL CONT PIN 1.14-MM-BSC-SZ SQ | 28480 | 1251-0600 |
| ASTP7 | 1251-0600 | 0 | | CONNECTOR-SGL CONT PIN 1.14-MM-BSC-SZ SQ | 28480 | 1251-0600 |
| ASTP8 | 1251-0600 | 0 | | CONNECTOR-SGL CONT PIN 1.14-MM-BSC-SZ SQ | 28480 | 1251-0600 |
| ASTP9 | 1251-0600 | 0 | | CONNECTOR-SGL CONT PIN 1.14-MM-BSC-SZ SQ | 28480 | 1251-0600 |
| ASU1 | 1826-0138 | 8 | 3 | IC COMPARATOR GP QUAD 14-DIP-P PKG | 01295 | LH339N |
| ASU2* | 1826-0601 | 0 | 1 | IC OP AMP PRCH T0-89 PKG | 06665 | OP-16FJ |
| ASU3 | 1826-0138 | 8 | | IC COMPARATOR GP QUAD 14-DIP-P PKG | 01295 | LH339N |
| ASU4 | | | | NOT ASSIGNED | | |
| ASU5 | 1826-0783 | 9 | 4 | IC OP AMP LOW-NOISE 8-DIP-C PKG | 52063 | XR5534ACN |
| A6 | 08684-60017 | 3 | 1 | ALC DETECTOR AMPLIFIER BOARD | 28480 | 08684-60017 |
| ASC1 | 0160-3879 | 7 | | CAPACITOR-FXD .01UF +-20% 100VDC CER | 28480 | 0160-3879 |
| ASC2 | 0160-3879 | 7 | | CAPACITOR-FXD .01UF +-20% 100VDC CER | 28480 | 0160-3879 |
| ASC3 | 0160-3879 | 7 | | CAPACITOR-FXD .01UF +-20% 100VDC CER | 28480 | 0160-3879 |
| ASC4 | 0160-3879 | 7 | | CAPACITOR-FXD .01UF +-20% 100VDC CER | 28480 | 0160-3879 |
| ASC5 | 0160-3879 | 7 | | CAPACITOR-FXD .01UF +-20% 100VDC CER | 28480 | 0160-3879 |
| ASC6 | 0160-2617 | 1 | 20 | CAPACITOR-FXD 6.8UF+-10% 35VDC TA | 25088 | D6R6GS1B35K |
| ASC7 | 0160-3879 | 7 | | CAPACITOR-FXD .01UF +-20% 100VDC CER | 28480 | 0160-3879 |
| ASC8 | 0160-0576 | 5 | | CAPACITOR-FXD .1UF +-20% 50VDC CER | 28480 | 0160-0576 |
| ASC9 | 0160-2617 | 1 | | CAPACITOR-FXD 6.8UF+-10% 35VDC TA | 25088 | D6R6GS1B35K |
| ASC10 | 0160-0576 | 5 | | CAPACITOR-FXD .1UF +-20% 50VDC CER | 28480 | 0160-0576 |
| ASC11 | 0160-3879 | 7 | | CAPACITOR-FXD .01UF +-20% 100VDC CER | 28480 | 0160-3879 |
| ASC12 | 0160-3879 | 7 | | CAPACITOR-FXD .01UF +-20% 100VDC CER | 28480 | 0160-3879 |
| ASC13 | 0160-0116 | 1 | | CAPACITOR-FXD 6.8UF+-10% 35VDC TA | 56289 | 1500685X9035B2 |
| ASC14 | 0160-2617 | 1 | | CAPACITOR-FXD 6.8UF+-10% 35VDC TA | 25088 | D6R6GS1B35K |
| ASC15 | 0160-4764 | 1 | 2 | CAPACITOR-FXD 150PF +-5% 100VDC CER | 28480 | 0160-4764 |
| ASC16 | 0160-0576 | 5 | | CAPACITOR-FXD .1UF +-20% 50VDC CER | 28480 | 0160-0576 |
| ASC17 | 0160-0576 | 5 | | CAPACITOR-FXD .1UF +-20% 50VDC CER | 28480 | 0160-0576 |
| ASC18 | 0160-4768 | 5 | 1 | CAPACITOR-FXD 470PF +-5% 100VDC CER | 28480 | 0160-4768 |
| ASC19 | 0160-2617 | 1 | | CAPACITOR-FXD 6.8UF+-10% 35VDC TA | 25088 | D6R6GS1B35K |
| ASC20 | 0160-2617 | 1 | | CAPACITOR-FXD 6.8UF+-10% 35VDC TA | 25088 | D6R6GS1B35K |
| ASC21 | 0160-0491 | 5 | 11 | CAPACITOR-FXD 10UF+-20% 25VDC TA | 28480 | 0160-0491 |
| ASC22 | 0160-0553 | 0 | | CAPACITOR-FXD 22UF+-20% 25VDC TA | 28480 | 0160-0553 |
| ASC23 | 0160-3877 | 5 | 9 | CAPACITOR-FXD 100PF +-20% 200VDC CER | 28480 | 0160-3877 |
| ASC24 | 0160-2055 | 9 | | CAPACITOR-FXD .01UF +-20% 100VDC CER | 28480 | 0160-2055 |
| ASC25 | 0160-4527 | 4 | 1 | CAPACITOR-FXD 56PF +-5% 200VDC CER 0+-30 | 28480 | 0160-4527 |
| ASC26 | 0160-3879 | 7 | | CAPACITOR-FXD .01UF +-20% 100VDC CER | 28480 | 0160-3879 |
| ASC27 | 0160-0576 | 5 | | CAPACITOR-FXD .1UF +-20% 50VDC CER | 28480 | 0160-0576 |
| ASC28 | 0160-0576 | 5 | | CAPACITOR-FXD .1UF +-20% 50VDC CER | 28480 | 0160-0576 |
| ASC29 | 0160-0576 | 5 | | CAPACITOR-FXD .1UF +-20% 50VDC CER | 28480 | 0160-0576 |
| ASC30 | 0160-0576 | 5 | | CAPACITOR-FXD .1UF +-20% 50VDC CER | 28480 | 0160-0576 |
| ASC31 | 0160-3877 | 5 | | CAPACITOR-FXD 100PF +-20% 200VDC CER | 28480 | 0160-3877 |
| ASC32 | 0160-0576 | 5 | | CAPACITOR-FXD .1UF +-20% 50VDC CER | 28480 | 0160-0576 |
| ASC33 | 0160-0576 | 5 | | CAPACITOR-FXD .1UF +-20% 50VDC CER | 28480 | 0160-0576 |
| ASC34 | 0160-2617 | 1 | | CAPACITOR-FXD 6.8UF+-10% 35VDC TA | 25088 | D6R6GS1B35K |
| ASC35 | 0160-2617 | 1 | | CAPACITOR-FXD 6.8UF+-10% 35VDC TA | 25088 | D6R6GS1B35K |
| ASC36 | 0160-3454 | 4 | 1 | CAPACITOR-FXD 220PF +-10% 1KVDC CER | 28480 | 0160-3454 |
| ASC37 | 0160-2055 | 9 | | CAPACITOR-FXD .01UF +-20% 100VDC CER | 28480 | 0160-2055 |
| ASC38 | 0160-3879 | 7 | | CAPACITOR-FXD .01UF +-20% 100VDC CER | 28480 | 0160-3879 |
| ASC39 | 0160-3879 | 7 | | CAPACITOR-FXD .01UF +-20% 100VDC CER | 28480 | 0160-3879 |
| ASC40 | 0160-3879 | 7 | | CAPACITOR-FXD .01UF +-20% 100VDC CER | 28480 | 0160-3879 |
| ASC41 | 0160-2617 | 1 | | CAPACITOR-FXD 6.8UF+-10% 35VDC TA | 25088 | D6R6GS1B35K |
| ASC42 | 0160-3877 | 5 | | CAPACITOR-FXD 100PF +-20% 200VDC CER | 28480 | 0160-3877 |
| ASC43 | 0160-3879 | 7 | | CAPACITOR-FXD .01UF +-20% 100VDC CER | 28480 | 0160-3879 |
| ASC44 | 0160-3877 | 5 | | CAPACITOR-FXD 100PF +-20% 200VDC CER | 28480 | 0160-3877 |
| ASC45 | 0160-2617 | 1 | | CAPACITOR-FXD 6.8UF+-10% 35VDC TA | 25088 | D6R6GS1B35K |

See Introduction to this section for ordering information

*Indicates factory selected value

†Backdating information in Section VII

Table 6-3. Replaceable Parts

| Reference Designation | HP Part Number | C D | Qty | Description | Mfr Code | Mfr. Part Number |
|-----------------------|----------------|-----|-----|--|----------|----------------------|
| A6C46 | 0160-2055 | 9 | | CAPACITOR-FXD .01UF +80-20% 100VDC CER | 28480 | 0160-2055 |
| A6C47 | | | | NOT ASSIGNED | | |
| A6C48 | 0160-3879 | 7 | | CAPACITOR-FXD .01UF +-20% 100VDC CER | 28480 | 0160-3879 |
| A6C49 | 0160-3877 | 5 | | CAPACITOR-FXD 100PF +-20% 200VDC CER | 28480 | 0160-3877 |
| A6CR1 | 08684-67006 | 4 | 1 | DETECTOR ASSY-REFERENCE | 28480 | 08684-67006 |
| A6CR2 | | | | NOT ASSIGNED | | |
| A6CR3 | | | | NOT ASSIGNED | | |
| A6CR4 | 1901-0050 | 3 | | DIODE-SWITCHING 80V 200MA 2NS DO-35 | 28480 | 1901-0050 |
| A6CR5 | 1901-0050 | 3 | | DIODE-SWITCHING 80V 200MA 2NS DO-35 | 28480 | 1901-0050 |
| A6CR6 | 1901-0050 | 3 | | DIODE-SWITCHING 80V 200MA 2NS DO-35 | 28480 | 1901-0050 |
| A6CR7 | 1901-0050 | 3 | | DIODE-SWITCHING 80V 200MA 2NS DO-35 | 28480 | 1901-0050 |
| A6CR8 | 1901-0539 | 3 | 1 | DIODE-S1 SIG SCHOTTKY | 28480 | 1901-0539 |
| A6CR9 | | | | NOT ASSIGNED | | |
| A6E1 | 9170-0016 | 8 | 2 | CORE-SHIELDING BEAD | 28480 | 9170-0016 |
| A6E2 | 9170-0016 | 8 | | CORE-SHIELDING BEAD | 28480 | 9170-0016 |
| A6J1 | 1250-1220 | 0 | | CONNECTOR-RF SMC M PC 50-OHM | 28480 | 1250-1220 |
| | 2190-0124 | 4 | | WASHER-LK INTL T NO. 10 .195-IN-ID | 28480 | 2190-0124 |
| | 2950-0078 | 9 | | NUT-HEX-DEL-CHAM 10-32-THD .067-IN-THK | 28480 | 2950-0078 |
| A6J2 | 1250-1220 | 0 | | CONNECTOR-RF SMC M PC 50-OHM | 28480 | 1250-1220 |
| | 2190-0124 | 4 | | WASHER-LK INTL T NO. 10 .195-IN-ID | 28480 | 2190-0124 |
| | 2950-0078 | 9 | | NUT-HEX-DEL-CHAM 10-32-THD .067-IN-THK | 28480 | 2950-0078 |
| A6J3 | 1250-1425 | 7 | 1 | CONNECTOR-RF SMC M SGL-HOLE-RR 50-OHM | 28480 | 1250-1425 |
| A6J4 | 1250-1220 | 0 | | CONNECTOR-RF SMC M PC 50-OHM | 28480 | 1250-1220 |
| | 2190-0124 | 4 | | WASHER-LK INTL T NO. 10 .195-IN-ID | 28480 | 2190-0124 |
| | 2950-0078 | 9 | | NUT-HEX-DEL-CHAM 10-32-THD .067-IN-THK | 28480 | 2950-0078 |
| A6L1 | 9140-0210 | 1 | | INDUCTOR RF-CH-PLD 100UH 5% .166DX.385LG | 28480 | 9140-0210 |
| A6L2 | 9140-0210 | 1 | | INDUCTOR RF-CH-PLD 100UH 5% .166DX.385LG | 28480 | 9140-0210 |
| A6L3 | 9140-0210 | 1 | | INDUCTOR RF-CH-PLD 100UH 5% .166DX.385LG | 28480 | 9140-0210 |
| A6L4 | 9100-3922 | 4 | | INDUCTOR-FIXED 120-1300 HZ | 28480 | 9100-3922 |
| A6L5 | 9140-0210 | 1 | | INDUCTOR RF-CH-PLD 100UH 5% .166DX.385LG | 28480 | 9140-0210 |
| A6L6 | 9100-1646 | 5 | 1 | INDUCTOR RF-CH-PLD 430UH 5% .2DX.45LG | 28480 | 9100-1646 |
| A6L7 | 9100-3922 | 4 | | INDUCTOR-FIXED 120-1300 HZ | 28480 | 9100-3922 |
| A6L8 | 9140-0210 | 1 | | INDUCTOR RF-CH-PLD 100UH 5% .166DX.385LG | 28480 | 9140-0210 |
| A6L9 | 9100-3922 | 4 | | INDUCTOR-FIXED 120-1300 HZ | 28480 | 9100-3922 |
| A6L10 | 9100-3922 | 4 | | INDUCTOR-FIXED 120-1300 HZ | 28480 | 9100-3922 |
| A6L11 | 9100-3922 | 4 | | INDUCTOR-FIXED 120-1300 HZ | 28480 | 9100-3922 |
| A6L12 | 9140-0142 | 8 | 1 | INDUCTOR RF-CH-PLD 2.2UH 10% .105DX.26LG | 28480 | 9140-0142 |
| A6MP1 | 08684-00019 | 8 | 1 | COVER-ALC DETECTOR AMPLIFIER | 28480 | 08684-00019 |
| A6MP2 | 5021-0866 | 7 | | KNOB-P.C. BOARD PULLER | 28480 | 5021-0866 |
| | 0515-0211 | 8 | | SCREW-MACH M3 X 0.5 6MM-LG PAN-HD | 00000 | ORDER BY DESCRIPTION |
| A6MP3 | 0510-0034 | 3 | | RETAINER-RING AD EXT .25-IN-DIA STL | 28480 | 0510-0034 |
| A6Q1 | 1853-0281 | 9 | | TRANSISTOR PNP 2N2907A SI TO-18 PD=400MW | 04713 | 2N2907A |
| A6Q2 | 1853-0459 | 3 | | TRANSISTOR PNP SI PD=625MW FT=200MHZ | 28480 | 1853-0459 |
| A6Q3 | 1853-0459 | 3 | | TRANSISTOR PNP SI PD=625MW FT=200MHZ | 28480 | 1853-0459 |
| A6Q4 | 1854-0477 | 7 | | TRANSISTOR NPN 2N2222A SI TO-18 PD=500MW | 04713 | 2N2222A |
| A6Q5 | 1853-0034 | 0 | | TRANSISTOR PNP SI TO-18 PD=360MW | 28480 | 1853-0034 |
| A6Q6 | 1853-0034 | 0 | | TRANSISTOR PNP SI TO-18 PD=360MW | 28480 | 1853-0034 |
| A6Q7 | 1853-0459 | 3 | | TRANSISTOR PNP SI PD=625MW FT=200MHZ | 28480 | 1853-0459 |
| A6Q8 | 1854-0810 | 2 | | TRANSISTOR NPN SI PD=625MW FT=200MHZ | 28480 | 1854-0810 |
| A6Q9 | 1854-0345 | 8 | | TRANSISTOR NPN 2N5179 SI TO-72 PD=200MW | 04713 | 2N5179 |
| A6Q10 | 1854-0247 | 9 | 2 | TRANSISTOR NPN SI TO-39 PD=1W FT=800MHZ | 28480 | 1854-0247 |
| A6Q11 | 1854-0247 | 9 | | TRANSISTOR NPN SI TO-39 PD=1W FT=800MHZ | 28480 | 1854-0247 |
| A6Q12 | 1853-0034 | 0 | | TRANSISTOR PNP SI TO-18 PD=360MW | 28480 | 1853-0034 |
| A6Q13 | 1854-0345 | 8 | | TRANSISTOR NPN 2N5179 SI TO-72 PD=200MW | 04713 | 2N5179 |
| A6Q14 | 1854-0345 | 8 | | TRANSISTOR NPN 2N5179 SI TO-72 PD=200MW | 04713 | 2N5179 |
| A6Q15 | 1855-0262 | 0 | 1 | TRANSISTOR-JFET DUAL N-CHAN C-MODE SI | 28480 | 1855-0262 |
| A6Q16 | 1854-0345 | 8 | | TRANSISTOR NPN 2N5179 SI TO-72 PD=200MW | 04713 | 2N5179 |
| A6Q17 | 1854-0477 | 7 | | TRANSISTOR NPN 2N2222A SI TO-18 PD=500MW | 04713 | 2N2222A |
| A6R1 | 0757-0290 | 5 | | RESISTOR 6.19K 1% .125W F TC=0+-100 | 19701 | MF4C1/8-T0-8191-F |
| A6R2 | 0698-3153 | 9 | 2 | RESISTOR 3.83K 1% .125W F TC=0+-100 | 24546 | C4-1/8-T0-3831-F |
| A6R3 | 0698-7205 | 0 | 2 | RESISTOR 51.1 1% .05W F TC=0+-100 | 24546 | C3-1/8-T0-51R1-F |
| A6R4 | | | | NOT ASSIGNED | | |
| A6R5 | 0698-7204 | 9 | 1 | RESISTOR 48.4 1% .05W F TC=0+-100 | 24546 | C3-1/8-T0-48R4-F |

See introduction to this section for ordering information
 *Indicates factory selected value
 †Backdating information in Section VII

Table 6-3. Replaceable Parts

| Reference Designation | HP Part Number | C D | Qty | Description | Mfr Code | Mfr Part Number |
|-----------------------|----------------|--------|-----|---|----------|------------------|
| A6R6 | 2100-2522 | 1 | 1 | RESISTOR-TRMR 10K 10% C SIDE-ADJ 1-TRN | 30983 | ET50X103 |
| A6R7 | 0757-0420 | 3 | | RESISTOR 750 1% .125W F TC+0--100 | 24546 | CA-1/8-T0-751-F |
| A6R8 | 0757-0440 | 7 | | RESISTOR 7.5K 1% .125W F TC+0--100 | 24546 | CA-1/8-T0-7501-F |
| A6R9 | 0698-3157 | 3 | 7 | RESISTOR 10.6K 1% .125W F TC+0--100 | 24546 | CA-1/8-T0-1862-F |
| A6R10 | 0698-3181 | 9 | 1 | RESISTOR 38.3K 1% .125W F TC+0--100 | 24546 | CA-1/8-T0-3832-F |
| A6R11 | 0698-3157 | 3 | | RESISTOR 10.6K 1% .125W F TC+0--100 | 24546 | CA-1/8-T0-1862-F |
| A6R12 | 0698-3443 | 0 | | RESISTOR 287 1% .125W F TC+0--100 | 24546 | CA-1/8-T0-287R-F |
| A6R13 | 0757-0280 | 3 | | RESISTOR 1K 1% .125W F TC+0--100 | 24546 | CA-1/8-T0-1001-F |
| A6R14 | 0757-0280 | 3 | | RESISTOR 1K 1% .125W F TC+0--100 | 24546 | CA-1/8-T0-1001-F |
| A6R15 | 0698-3447 | 4 | | RESISTOR 422 1% .125W F TC+0--100 | 24546 | CA-1/8-T0-422R-F |
| A6R16 | 0757-1094 | 9 | | RESISTOR 1.47K 1% .125W F TC+0--100 | 24546 | CA-1/8-T0-1471-F |
| A6R17 | 0757-0416 | 7 | | RESISTOR 511 1% .125W F TC+0--100 | 24546 | CA-1/8-T0-511R-F |
| A6R18 | 0757-0442 | 9 | | RESISTOR 10K 1% .125W F TC+0--100 | 24546 | CA-1/8-T0-1002-F |
| A6R19 | 0757-0465 | 6 | | RESISTOR 100K 1% .125W F TC+0--100 | 24546 | CA-1/8-T0-1003-F |
| A6R20 | 0698-7247 | 0 | 2 | RESISTOR 2.87K 1% .05W F TC+0--100 | 24546 | C3-1/8-T0-2871-F |
| A6R21 | 0698-3151 | 7 | | RESISTOR 2.87K 1% .125W F TC+0--100 | 24546 | CA-1/8-T0-2871-F |
| A6R22 | 0698-3155 | 1 | | RESISTOR 4.64K 1% .125W F TC+0--100 | 24546 | CA-1/8-T0-4641-F |
| A6R23 | 0757-0442 | 9 | | RESISTOR 10K 1% .125W F TC+0--100 | 24546 | CA-1/8-T0-1002-F |
| A6R24 | 0698-3153 | 9 | | RESISTOR 3.83K 1% .125W F TC+0--100 | 24546 | CA-1/8-T0-3831-F |
| A6R25 | 0698-3450 | 9 | 1 | RESISTOR 42.2K 1% .125W F TC+0--100 | 24546 | CA-1/8-T0-4222-F |
| A6R26 | 0698-3443 | 0 | | RESISTOR 287 1% .125W F TC+0--100 | 24546 | CA-1/8-T0-287R-F |
| A6R27 | 0757-0421 | 4 | | RESISTOR 825 1% .125W F TC+0--100 | 24546 | CA-1/8-T0-825R-F |
| A6R28 | 0757-0419 | 0 | | RESISTOR 681 1% .125W F TC+0--100 | 24546 | CA-1/8-T0-681R-F |
| A6R29 | 0698-3150 | 6 | 2 | RESISTOR 2.37K 1% .125W F TC+0--100 | 24546 | CA-1/8-T0-2371-F |
| A6R30 | 0698-7195 | 7 | 2 | RESISTOR 10.6 1% .05W F TC+0--100 | 24546 | C3-1/8-T0-106R-F |
| A6R31 | 2100-2497 | 9 | 1 | RESISTOR-TRMR 2K 10% C TOP-ADJ 1-TRN | 73138 | 82PR2K |
| A6R32 | 0698-3444 | 1 | | RESISTOR 316 1% .125W F TC+0--100 | 24546 | CA-1/8-T0-316R-F |
| A6R33 | 0698-3447 | 4 | | RESISTOR 422 1% .125W F TC+0--100 | 24546 | CA-1/8-T0-422R-F |
| A6R34 | 0698-7195 | 7 | | RESISTOR 10.6 1% .05W F TC+0--100 | 24546 | C3-1/8-T0-106R-F |
| A6R35 | 0757-0442 | 9 | | RESISTOR 10K 1% .125W F TC+0--100 | 24546 | CA-1/8-T0-1002-F |
| A6R36 | 2100-1986 | 9 | 1 | RESISTOR-TRMR 1K 10% C TOP-ADJ 1-TRN | 73138 | 82PR1K |
| A6R37 | 2100-2489 | 9 | | RESISTOR-TRMR 5K 10% C SIDE-ADJ 1-TRN | 30983 | ET50X502 |
| A6R38 | 0698-3452 | 1 | 3 | RESISTOR 147K 1% .125W F TC+0--100 | 24546 | CA-1/8-T0-1473-F |
| A6R39 | 0698-3443 | 0 | | RESISTOR 287 1% .125W F TC+0--100 | 24546 | CA-1/8-T0-287R-F |
| A6R40 | 0757-0317 | 7 | | RESISTOR 1.33K 1% .125W F TC+0--100 | 24546 | CA-1/8-T0-1331-F |
| A6R41 | 0698-7247 | 0 | | RESISTOR 2.87K 1% .05W F TC+0--100 | 24546 | C3-1/8-T0-2871-F |
| A6R42 | 2100-2833 | 5 | | RESISTOR-TRMR 1K 10% C SIDE-ADJ 1-TRN | 30983 | ET50X102 |
| A6R43 | 2100-3750 | 9 | | RESISTOR-TRMR 20K 10% C SIDE-ADJ 17-TRN | 28480 | 2100-3750 |
| A6R44 | 0757-0442 | 9 | | RESISTOR 10K 1% .125W F TC+0--100 | 24546 | CA-1/8-T0-1002-F |
| A6R45 | 0757-1094 | 9 | | RESISTOR 1.47K 1% .125W F TC+0--100 | 24546 | CA-1/8-T0-1471-F |
| A6R46 | 0757-0402 | 1 | 2 | RESISTOR 110 1% .125W F TC+0--100 | 24546 | CA-1/8-T0-111-F |
| A6R47 | 0757-0405 | 4 | | RESISTOR 162 1% .125W F TC+0--100 | 24546 | CA-1/8-T0-162R-F |
| A6R48 | 2100-3750 | 9 | | RESISTOR-TRMR 20K 10% C SIDE-ADJ 17-TRN | 28480 | 2100-3750 |
| A6R49 | 0698-7260 | 7 | 1 | RESISTOR 10K 1% .05W F TC+0--100 | 24546 | C3-1/8-T0-1002-F |
| A6R50 | 0757-0280 | 3 | | RESISTOR 1K 1% .125W F TC+0--100 | 24546 | CA-1/8-T0-1001-F |
| A6R51 | 0698-3447 | 4 | | RESISTOR 422 1% .125W F TC+0--100 | 24546 | CA-1/8-T0-422R-F |
| A6R52 | 0757-0465 | 6 | | RESISTOR 100K 1% .125W F TC+0--100 | 24546 | CA-1/8-T0-1003-F |
| A6R53 | 0698-3159 | 5 | 3 | RESISTOR 26.1K 1% .125W F TC+0--100 | 24546 | CA-1/8-T0-2612-F |
| A6R54 | 0757-0441 | 8 | 1 | RESISTOR 8.25K 1% .125W F TC+0--100 | 24546 | CA-1/8-T0-8251-F |
| A6R55 | | | | NOT ASSIGNED | | |
| A6R56 | 0757-0440 | 7 | | RESISTOR 7.5K 1% .125W F TC+0--100 | 24546 | CA-1/8-T0-7501-F |
| A6R57 | 0757-0442 | 9 | | RESISTOR 10K 1% .125W F TC+0--100 | 24546 | CA-1/8-T0-1002-F |
| A6R58 | 0698-3155 | 1 | | RESISTOR 4.64K 1% .125W F TC+0--100 | 24546 | CA-1/8-T0-4641-F |
| A6R59 | 0757-0442 | 9 | | RESISTOR 10K 1% .125W F TC+0--100 | 24546 | CA-1/8-T0-1002-F |
| A6R60 | 0757-0442 | 9 | | RESISTOR 10K 1% .125W F TC+0--100 | 24546 | CA-1/8-T0-1002-F |
| A6R61 | 0757-0416 | 7 | | RESISTOR 511 1% .125W F TC+0--100 | 24546 | CA-1/8-T0-511R-F |
| A6R62 | 0757-0274 | 5 | | RESISTOR 1.21K 1% .125W F TC+0--100 | 24546 | CA-1/8-T0-1211-F |
| A6R63 | 0698-3152 | 8 | | RESISTOR 3.48K 1% .125W F TC+0--100 | 24546 | CA-1/8-T0-3481-F |
| A6R64 | 0698-0084 | 9 | | RESISTOR 2.15K 1% .125W F TC+0--100 | 24546 | CA-1/8-T0-2151-F |
| A6R65 | 0698-7205 | 0 | | RESISTOR 51.1 1% .05W F TC+0--100 | 24546 | C3-1/8-T0-51R1-F |
| A6R66 | 0757-0815 | 0 | 2 | RESISTOR 562 1% .5W F TC+0--100 | 28480 | 0757-0815 |
| A6R67 | 0698-0084 | 9 | | RESISTOR 2.15K 1% .125W F TC+0--100 | 24546 | CA-1/8-T0-2151-F |
| A6R68 | 0757-0419 | 0 | | RESISTOR 681 1% .125W F TC+0--100 | 24546 | CA-1/8-T0-681R-F |
| A6R69 | 0757-0465 | 6 | | RESISTOR 100K 1% .125W F TC+0--100 | 24546 | CA-1/8-T0-1003-F |
| A6R70 | 0698-3440 | 7 | | RESISTOR 196 1% .125W F TC+0--100 | 24546 | CA-1/8-T0-196R-F |

See introduction to this section for ordering information
 *Indicates factory selected value
 †Backdating information in Section VII

Table 6-3. Replaceable Parts

| Reference Designation | HP Part Number | C | D | Qty | Description | Mfr Code | Mfr Part Number |
|-----------------------|----------------|---|---|-----|--|----------|------------------|
| A6R71 | 0757-0442 | 9 | | | RESISTOR 10K 1% .125W F TC=0+-100 | 24546 | C4-1/8-T0-1002-F |
| A6R72 | | | | | NOT ASSIGNED | | |
| A6R73 | 0698-3440 | 7 | | | RESISTOR 196 1% .125W F TC=0+-100 | 24546 | C4-1/8-T0-196R-F |
| A6R74 | 0698-3444 | 1 | | | RESISTOR 316 1% .125W F TC=0+-100 | 24546 | C4-1/8-T0-316R-F |
| A6R75 | 0757-0465 | 6 | | | RESISTOR 100K 1% .125W F TC=0+-100 | 24546 | C4-1/8-T0-1003-F |
| A6R76 | 0757-0417 | 8 | | 3 | RESISTOR 562 1% .125W F TC=0+-100 | 24546 | C4-1/8-T0-562R-F |
| A6R77 | 0698-3445 | 2 | | | RESISTOR 348 1% .125W F TC=0+-100 | 24546 | C4-1/8-T0-348R-F |
| A6R78 | 0757-0465 | 6 | | | RESISTOR 100K 1% .125W F TC=0+-100 | 24546 | C4-1/8-T0-1003-F |
| A6R79 | 0698-3402 | 1 | | 6 | RESISTOR 316 1% .5W F TC=0+-100 | 28480 | 0698-3402 |
| A6R80 | 0757-0465 | 6 | | | RESISTOR 100K 1% .125W F TC=0+-100 | 24546 | C4-1/8-T0-1003-F |
| A6R81 | | | | | NOT ASSIGNED | | |
| A6R82 | | | | | NOT ASSIGNED | | |
| A6R83 | 0757-0442 | 9 | | | RESISTOR 10K 1% .125W F TC=0+-100 | 24546 | C4-1/8-T0-1002-F |
| A6TP1 | 1251-0600 | 0 | | | CONNECTOR-SGL CONT PIN 1.14-MM-BSC-SZ SQ | 28480 | 1251-0600 |
| A6TP2 | 1251-0600 | 0 | | | CONNECTOR-SGL CONT PIN 1.14-MM-BSC-SZ SQ | 28480 | 1251-0600 |
| A6TP3 | 1251-0600 | 0 | | | CONNECTOR-SGL CONT PIN 1.14-MM-BSC-SZ SQ | 28480 | 1251-0600 |
| A6TP4 | 1251-0600 | 0 | | | CONNECTOR-SGL CONT PIN 1.14-MM-BSC-SZ SQ | 28480 | 1251-0600 |
| A6TP5 | 1251-0600 | 0 | | | CONNECTOR-SGL CONT PIN 1.14-MM-BSC-SZ SQ | 28480 | 1251-0600 |
| A6TP6 | 1251-0600 | 0 | | | CONNECTOR-SGL CONT PIN 1.14-MM-BSC-SZ SQ | 28480 | 1251-0600 |
| A6TP7 | 1251-0600 | 0 | | | CONNECTOR-SGL CONT PIN 1.14-MM-BSC-SZ SQ | 28480 | 1251-0600 |
| A6TP8 | 1251-0600 | 0 | | | CONNECTOR-SGL CONT PIN 1.14-MM-BSC-SZ SQ | 28480 | 1251-0600 |
| A6U1 | 1826-0522 | 4 | | 5 | IC OP AMP LOW-BIAS-H-IMPD QUAD 14-DIP-P | 01295 | TL074CN |
| A6U2 | 1820-0884 | 7 | | 1 | IC INV TTL 5 HEX 1-IMP | 01295 | SN74S05N |
| A6U3 | 1820-0681 | 4 | | 1 | IC GATE TTL 5 NAND QUAD 2-IMP | 01295 | SN74S00N |
| A6U4 | 1826-0471 | 2 | | 1 | IC OP AMP LOW-DRIFT T0-99 PKG | 28480 | 1826-0471 |
| A6U5 | 1826-0026 | 3 | | 2 | IC COMPARATOR PRCH T0-99 PKG | 01295 | LM311L |
| A6U6 | 1826-0412 | 1 | | 1 | IC COMPARATOR PRCH DUAL 8-DIP-P PKG | 27014 | LM393N |
| A6U7 | 1826-0059 | 2 | | 1 | IC OP AMP GP T0-99 PKG | 01295 | LM201AL |
| A6VR1 | 1802-0579 | 3 | | 1 | DIODE-ZNR 5.1V 5% PD=1W IR=10UA | 28480 | 1802-0579 |
| A6W1 | 8159-0005 | 0 | | 2 | RESISTOR-ZERO OHMS 22 AWG LEAD DIA | 28480 | 8159-0005 |
| A6W2 | | | | | NOT ASSIGNED | | |
| A6W3 | 8159-0005 | 0 | | | RESISTOR-ZERO OHMS 22 AWG LEAD DIA | 28480 | 8159-0005 |
| A6W4 | | | | | NOT ASSIGNED | | |
| A6W5 | 08684-20136 | 3 | | 1 | CABLE-SHIELDED DET. AMPL. 30MHZ REF. IN | 28480 | 08684-20136 |
| A7 | 08684-60010 | 6 | | 1 | ALC REFERENCE BOARD | 28480 | 08684-60010 |
| A7C1 | 0160-3879 | 7 | | | CAPACITOR-FXD .01UF +-20% 100VDC CER | 28480 | 0160-3879 |
| A7C2 | 0160-3879 | 7 | | | CAPACITOR-FXD .01UF +-20% 100VDC CER | 28480 | 0160-3879 |
| A7C3 | 0160-4084 | 8 | | 20 | CAPACITOR-FXD .1UF +-20% 50VDC CER | 28480 | 0160-4084 |
| A7C4 | 0160-4084 | 8 | | | CAPACITOR-FXD .1UF +-20% 50VDC CER | 28480 | 0160-4084 |
| A7C5 | 0160-4084 | 8 | | | CAPACITOR-FXD .1UF +-20% 50VDC CER | 28480 | 0160-4084 |
| A7C6 | 0180-0116 | 1 | | | CAPACITOR-FXD 6.8UF+-10% 35VDC TA | 56289 | 150D685X9035B2 |
| A7C7 | 0180-0116 | 1 | | | CAPACITOR-FXD 6.8UF+-10% 35VDC TA | 56289 | 150D685X9035B2 |
| A7C8 | 0160-4084 | 8 | | | CAPACITOR-FXD .1UF +-20% 50VDC CER | 28480 | 0160-4084 |
| A7C9 | 0160-4084 | 8 | | | CAPACITOR-FXD .1UF +-20% 50VDC CER | 28480 | 0160-4084 |
| A7C10 | 0160-4084 | 8 | | | CAPACITOR-FXD .1UF +-20% 50VDC CER | 28480 | 0160-4084 |
| A7C11 | 0180-2619 | 3 | | 1 | CAPACITOR-FXD 22UF+-10% 15VDC TA | 25088 | D22G51B15K |
| A7C12 | 0160-0127 | 2 | | | CAPACITOR-FXD 1UF +-20% 25VDC CER | 28480 | 0160-0127 |
| A7C13 | 0160-4084 | 8 | | | CAPACITOR-FXD .1UF +-20% 50VDC CER | 28480 | 0160-4084 |
| A7C14 | 0160-4084 | 8 | | | CAPACITOR-FXD .1UF +-20% 50VDC CER | 28480 | 0160-4084 |
| A7C15 | 0160-4084 | 8 | | | CAPACITOR-FXD .1UF +-20% 50VDC CER | 28480 | 0160-4084 |
| A7C16 | 0160-4084 | 8 | | | CAPACITOR-FXD .1UF +-20% 50VDC CER | 28480 | 0160-4084 |
| A7C17 | 0160-4084 | 8 | | | CAPACITOR-FXD .1UF +-20% 50VDC CER | 28480 | 0160-4084 |
| A7C18 | 0160-4084 | 8 | | | CAPACITOR-FXD .1UF +-20% 50VDC CER | 28480 | 0160-4084 |
| A7C19 | 0160-3878 | 6 | | 2 | CAPACITOR-FXD 1000PF +-20% 100VDC CER | 28480 | 0160-3878 |
| A7C20 | 0160-3878 | 6 | | | CAPACITOR-FXD 1000PF +-20% 100VDC CER | 28480 | 0160-3878 |
| A7C21 | 0160-2055 | 9 | | | CAPACITOR-FXD .01UF +-20% 100VDC CER | 28480 | 0160-2055 |
| A7C22 | 0160-2055 | 9 | | | CAPACITOR-FXD .01UF +-20% 100VDC CER | 28480 | 0160-2055 |
| A7C23 | 0160-4084 | 8 | | | CAPACITOR-FXD .1UF +-20% 50VDC CER | 28480 | 0160-4084 |
| A7C24 | 0160-2055 | 9 | | | CAPACITOR-FXD .01UF +-20% 100VDC CER | 28480 | 0160-2055 |
| A7C25 | 0160-2599 | 6 | | 1 | CAPACITOR-FXD 680PF +-10% 200VDC CER | 28480 | 0160-2599 |

See introduction to this section for ordering information
 *Indicates factory selected value
 †Backdating information in Section VII

Table 6-3. Replaceable Parts

| Reference Designation | HP Part Number | C D | Qty | Description | Mfr Code | Mfr Part Number |
|-----------------------|----------------|-----|-----|--|----------|----------------------|
| A7C26 | 0160-0575 | 4 | | CAPACITOR-FXD .047UF +-20% 50VDC CER | 28480 | 0160-0575 |
| A7C27 | 0160-2055 | 9 | | CAPACITOR-FXD .01UF +80-20% 100VDC CER | 28480 | 0160-2055 |
| A7C28 | 0160-3877 | 5 | | CAPACITOR-FXD 100PF +-20% 200VDC CER | 28480 | 0160-3877 |
| A7C29 | 0160-2055 | 9 | | CAPACITOR-FXD .01UF +80-20% 100VDC CER | 28480 | 0160-2055 |
| A7C30 | 0160-2055 | 9 | | CAPACITOR-FXD .01UF +80-20% 100VDC CER | 28480 | 0160-2055 |
| A7C31 | 0160-0127 | 2 | | CAPACITOR-FXD 1UF +-20% 25VDC CER | 28480 | 0160-0127 |
| A7C32 | 0160-2201 | 7 | 1 | CAPACITOR-FXD 51PF +-5% 300VDC NICA | 28480 | 0160-2201 |
| A7C33 | 0160-2055 | 9 | | CAPACITOR-FXD .01UF +80-20% 100VDC CER | 28480 | 0160-2055 |
| A7C34 | 0160-2055 | 9 | | CAPACITOR-FXD .01UF +80-20% 100VDC CER | 28480 | 0160-2055 |
| A7C35 | 0160-2055 | 9 | | CAPACITOR-FXD .01UF +80-20% 100VDC CER | 28480 | 0160-2055 |
| A7C36 | 0160-0127 | 2 | | CAPACITOR-FXD 1UF +-20% 25VDC CER | 28480 | 0160-0127 |
| A7C37 | 0160-3877 | 5 | | CAPACITOR-FXD 100PF +-20% 200VDC CER | 28480 | 0160-3877 |
| A7C38 | 0160-2055 | 9 | | CAPACITOR-FXD .01UF +80-20% 100VDC CER | 28480 | 0160-2055 |
| A7C39 | 0121-0105 | 4 | | CAPACITOR-V TRMR-CER 9-35PF 200V PC-MTG | 52763 | 304324 9/35PF N650 |
| A7C40 | 0160-2199 | 2 | | CAPACITOR-FXD 30PF +-5% 300VDC NICA | 28480 | 0160-2199 |
| A7C41 | 0160-3877 | 5 | | CAPACITOR-FXD 100PF +-20% 200VDC CER | 28480 | 0160-3877 |
| A7C42 | 0160-2055 | 9 | | CAPACITOR-FXD .01UF +80-20% 100VDC CER | 28480 | 0160-2055 |
| A7C43 | 0160-2055 | 9 | | CAPACITOR-FXD .01UF +80-20% 100VDC CER | 28480 | 0160-2055 |
| A7C44 | 0160-2055 | 9 | | CAPACITOR-FXD .01UF +80-20% 100VDC CER | 28480 | 0160-2055 |
| A7C45† | 0160-0575 | 4 | 3 | CAPACITOR-FXD .047UF +-20% 50VDC CER | 28480 | 0160-0575 |
| A7CR1 | 1901-0050 | 3 | | DIODE-SWITCHING 80V 200MA 2NS DO-35 | 28480 | 1901-0050 |
| A7CR2 | 1901-0050 | 3 | | DIODE-SWITCHING 80V 200MA 2NS DO-35 | 28480 | 1901-0050 |
| A7CR3 | 1901-0050 | 3 | | DIODE-SWITCHING 80V 200MA 2NS DO-35 | 28480 | 1901-0050 |
| A7CR4 | 1901-0050 | 3 | | DIODE-SWITCHING 80V 200MA 2NS DO-35 | 28480 | 1901-0050 |
| A7CR5 | 1901-0050 | 3 | | DIODE-SWITCHING 80V 200MA 2NS DO-35 | 28480 | 1901-0050 |
| A7CR6 | 1901-0050 | 3 | | DIODE-SWITCHING 80V 200MA 2NS DO-35 | 28480 | 1901-0050 |
| A7CR7 | 1901-0050 | 3 | | DIODE-SWITCHING 80V 200MA 2NS DO-35 | 28480 | 1901-0050 |
| A7CR8 | 1901-0518 | 8 | | DIODE-SM SIG SCHOTTKY | 28480 | 1901-0518 |
| A7CR9 | 1901-0050 | 3 | | DIODE-SWITCHING 80V 200MA 2NS DO-35 | 28480 | 1901-0050 |
| A7CR10 | 1901-0050 | 3 | | DIODE-SWITCHING 80V 200MA 2NS DO-35 | 28480 | 1901-0050 |
| A7CR11 | 1901-0050 | 3 | | DIODE-SWITCHING 80V 200MA 2NS DO-35 | 28480 | 1901-0050 |
| A7CR12 | 1901-0518 | 8 | | DIODE-SM SIG SCHOTTKY | 28480 | 1901-0518 |
| A7CR13 | 1901-0639 | 4 | 1 | DIODE-PIN | 28480 | 5082-3080 |
| A7J1 | 1250-1220 | 0 | | CONNECTOR-RF SMC H PC 50-OHM | 28480 | 1250-1220 |
| | 2190-0124 | 4 | | WASHER-LK INTL T NO. 10 .195-IN-ID | 28480 | 2190-0124 |
| | 2950-0078 | 9 | | NUT-HEX-DEL-CHAR 10-32-THD .067-IN-THK | 28480 | 2950-0078 |
| A7L1 | 9140-0112 | 2 | 2 | INDUCTOR RF-CH-MLD 4.7UH 10% | 28480 | 9140-0112 |
| A7L2 | 9140-0112 | 2 | | INDUCTOR RF-CH-MLD 4.7UH 10% | 28480 | 9140-0112 |
| A7L3 | 9100-2261 | 2 | 4 | INDUCTOR RF-CH-MLD 2.7UH 10% .105DX.26LG | 28480 | 9100-2261 |
| A7L4 | 9100-2261 | 2 | | INDUCTOR RF-CH-MLD 2.7UH 10% .105DX.26LG | 28480 | 9100-2261 |
| A7L5 | 9100-2261 | 2 | | INDUCTOR RF-CH-MLD 2.7UH 10% .105DX.26LG | 28480 | 9100-2261 |
| A7L6 | 9100-2261 | 2 | | INDUCTOR RF-CH-MLD 2.7UH 10% .105DX.26LG | 28480 | 9100-2261 |
| A7L7 | 9100-3548 | 0 | 2 | INDUCTOR RF-CH-MLD 470NH 5% .166DX.385LG | 28480 | 9100-3548 |
| A7L8 | 9100-3548 | 0 | | INDUCTOR RF-CH-MLD 470NH 5% .166DX.385LG | 28480 | 9100-3548 |
| A7L9 | 08684-80008 | 4 | 1 | COIL-ALC | 28480 | 08684-80008 |
| A7L10 | 08684-80009 | 5 | 1 | COIL-ALC | 28480 | 08684-80009 |
| A7MP1 | 08684-00016 | 6 | 1 | COVER-ALC REFERENCE | 28480 | 08684-00016 |
| A7MP2 | 5021-0866 | 7 | | KNOB-P.C. BOARD PULLER | 28480 | 5021-0866 |
| | 0515-0211 | 8 | | SCREW-MACH M3 X 0.5 8MM-LG PAN-HD | 00000 | ORDER BY DESCRIPTION |
| A7MP3 | 0510-0034 | 3 | | RETAINER-RING BUD EXT .25-IN-DIA STL | 28480 | 0510-0034 |
| A7Q1 | 1853-0281 | 8 | | TRANSISTOR PNP 2N2907A SI TO-18 PD=400MW | 04713 | 2N2907A |
| A7Q2 | 1855-0020 | 8 | 1 | TRANSISTOR J-FET N-CHAN D-MODE TO-18 SI | 28480 | 1855-0020 |
| A7Q3 | 1854-0637 | 1 | 3 | TRANSISTOR NPN 2N2219A SI TO-5 PD=800MW | 01295 | 2N2219A |
| A7Q4 | 1855-0082 | 2 | 1 | TRANSISTOR J-FET P-CHAN D-MODE SI | 28480 | 1855-0082 |
| A7Q5 | 1853-0264 | 8 | 2 | TRANSISTOR PNP SI PD=310MW FT=100MHZ | 04713 | 2N5401 |
| A7Q6 | 1855-0081 | 1 | | TRANSISTOR J-FET N-CHAN D-MODE SI | 28480 | 1855-0081 |
| A7Q7 | 1855-0081 | 1 | | TRANSISTOR J-FET N-CHAN D-MODE SI | 28480 | 1855-0081 |
| A7Q8 | 1854-0637 | 1 | | TRANSISTOR NPN 2N2219A SI TO-5 PD=800MW | 01295 | 2N2219A |
| A7Q9 | 1853-0281 | 8 | | TRANSISTOR PNP 2N2907A SI TO-18 PD=400MW | 04713 | 2N2907A |
| A7Q10 | 1854-0474 | 4 | 1 | TRANSISTOR NPN SI PD=310MW FT=100MHZ | 04713 | 2N5551 |
| A7Q11 | 1854-0810 | 2 | | TRANSISTOR NPN SI PD=625MW FT=200MHZ | 28480 | 1854-0810 |
| A7Q12 | 1853-0314 | 8 | | TRANSISTOR PNP 2N2905A SI TO-39 PD=600MW | 04713 | 2N2905A |
| A7Q13 | 1854-0071 | 7 | | TRANSISTOR NPN SI PD=300MW FT=200MHZ | 28480 | 1854-0071 |
| A7Q14 | 1854-0071 | 7 | | TRANSISTOR NPN SI PD=300MW FT=200MHZ | 28480 | 1854-0071 |

See introduction to this section for ordering information
 *Indicates factory selected value
 †Backdating information in Section VII

Table 6-3. Replaceable Parts

| Reference Designation | HP Part Number | C D | Qty | Description | Mfr Code | Mfr Part Number |
|-----------------------|----------------|--------|-----|--|----------|-------------------|
| A7R1 | 0757-0465 | 6 | | RESISTOR 100K 1% .125W F TC=0+-100 | 24546 | C4-1/8-T0-1003-F |
| A7R2 | 0757-0199 | 3 | | RESISTOR 21.5K 1% .125W F TC=0+-100 | 24546 | C4-1/8-T0-2152-F |
| A7R3 | 0757-0401 | 0 | | RESISTOR 100 1% .125W F TC=0+-100 | 24546 | C4-1/8-T0-101-F |
| A7R4 | 0757-0289 | 2 | | RESISTOR 13.3K 1% .125W F TC=0+-100 | 19701 | MF4C1/8-T0-1332-F |
| A7R5 | 0757-1094 | 9 | | RESISTOR 1.47K 1% .125W F TC=0+-100 | 24546 | C4-1/8-T0-1471-F |
| A7R6 | 0757-0442 | 9 | | RESISTOR 10K 1% .125W F TC=0+-100 | 24546 | C4-1/8-T0-1002-F |
| A7R7 | 0757-0485 | 6 | | RESISTOR 100K 1% .125W F TC=0+-100 | 24546 | C4-1/8-T0-1003-F |
| A7R8 | 0757-0465 | 6 | | RESISTOR 100K 1% .125W F TC=0+-100 | 24546 | C4-1/8-T0-1003-F |
| A7R9 | 0699-0083 | 8 | | RESISTOR 1.96K 1% .125W F TC=0+-100 | 24546 | C4-1/8-T0-1961-F |
| A7R10 | 2100-2574 | 3 | 1 | RESISTOR-TRMR 500 10% C SIDE-ADJ 1-TRN | 30993 | E150X501 |
| A7R11 | 0757-0416 | 7 | | RESISTOR 511 1% .125W F TC=0+-100 | 24546 | C4-1/8-T0-511R-F |
| A7R12 | 0757-0280 | 3 | | RESISTOR 1K 1% .125W F TC=0+-100 | 24546 | C4-1/8-T0-1001-F |
| A7R13 | 0757-0440 | 7 | | RESISTOR 7.5K 1% .125W F TC=0+-100 | 24546 | C4-1/8-T0-7501-F |
| A7R14 | 0757-0200 | 7 | | RESISTOR 5.62K 1% .125W F TC=0+-100 | 24546 | C4-1/8-T0-5621-F |
| A7R15 | 0757-0274 | 5 | | RESISTOR 1.21K 1% .125W F TC=0+-100 | 24546 | C4-1/8-T0-1211-F |
| A7R16 | 0699-3154 | 0 | | RESISTOR 4.22K 1% .125W F TC=0+-100 | 24546 | C4-1/8-T0-4221-F |
| A7R17 | 0699-0083 | 8 | | RESISTOR 1.96K 1% .125W F TC=0+-100 | 24546 | C4-1/8-T0-1961-F |
| A7R18 | 0699-0083 | 8 | | RESISTOR 1.96K 1% .125W F TC=0+-100 | 24546 | C4-1/8-T0-1961-F |
| A7R19 | 0757-0416 | 7 | | RESISTOR 511 1% .125W F TC=0+-100 | 24546 | C4-1/8-T0-511R-F |
| A7R20 | 0699-0082 | 7 | | RESISTOR 464 1% .125W F TC=0+-100 | 24546 | C4-1/8-T0-4640-F |
| A7R21 | 0757-0465 | 6 | | RESISTOR 100K 1% .125W F TC=0+-100 | 24546 | C4-1/8-T0-1003-F |
| A7R22 | 0757-0280 | 3 | | RESISTOR 1K 1% .125W F TC=0+-100 | 24546 | C4-1/8-T0-1001-F |
| A7R23 | 0757-0442 | 9 | | RESISTOR 10K 1% .125W F TC=0+-100 | 24546 | C4-1/8-T0-1002-F |
| A7R24 | 0757-0442 | 9 | | RESISTOR 10K 1% .125W F TC=0+-100 | 24546 | C4-1/8-T0-1002-F |
| A7R25 | 0757-0199 | 3 | | RESISTOR 21.5K 1% .125W F TC=0+-100 | 24546 | C4-1/8-T0-2152-F |
| A7R26 | 2100-3056 | 8 | 3 | RESISTOR-TRMR 5K 10% C SIDE-ADJ 17-TRN | 02111 | 43P502 |
| A7R27 | 0757-0416 | 7 | | RESISTOR 511 1% .125W F TC=0+-100 | 24546 | C4-1/8-T0-511R-F |
| A7R28 | 0699-0418 | 5 | 1 | RESISTOR 7.5K .5% .125W F TC=0+-50 | 28480 | 0699-0418 |
| A7R29 | 0699-0417 | 4 | 1 | RESISTOR 1.884K .5% .125W F TC=0+-50 | 28480 | 0699-0417 |
| A7R30 | 0699-0416 | 3 | 1 | RESISTOR 473.2 .5% .125W F TC=0+-50 | 28480 | 0699-0416 |
| A7R31 | 0699-0419 | 6 | 1 | RESISTOR 158.7 .5% .125W F TC=0+-50 | 28480 | 0699-0419 |
| A7R32 | 0699-3160 | 8 | | RESISTOR 31.6K 1% .125W F TC=0+-100 | 24546 | C4-1/8-T0-3162-F |
| A7R33 | 0757-0442 | 9 | | RESISTOR 10K 1% .125W F TC=0+-100 | 24546 | C4-1/8-T0-1002-F |
| A7R34 | 0757-0442 | 9 | | RESISTOR 10K 1% .125W F TC=0+-100 | 24546 | C4-1/8-T0-1002-F |
| A7R35 | 0699-8826 | 3 | 2 | RESISTOR 825K 1% .125W F TC=0+-100 | 28480 | 0699-8826 |
| A7R36 | 0699-8826 | 3 | | RESISTOR 825K 1% .125W F TC=0+-100 | 28480 | 0699-8826 |
| A7R37 | 2100-2514 | 1 | 1 | RESISTOR-TRMR 20K 10% C SIDE-ADJ 1-TRN | 30993 | E150W203 |
| A7R38 | 0699-3453 | 2 | | RESISTOR 196K 1% .125W F TC=0+-100 | 24546 | C4-1/8-T0-1963-F |
| A7R39 | 0757-0465 | 6 | | RESISTOR 100K 1% .125W F TC=0+-100 | 24546 | C4-1/8-T0-1003-F |
| A7R40 | 0699-3155 | 1 | | RESISTOR 4.64K 1% .125W F TC=0+-100 | 24546 | C4-1/8-T0-4641-F |
| A7R41 | 0699-0083 | 8 | | RESISTOR 1.96K 1% .125W F TC=0+-100 | 24546 | C4-1/8-T0-1961-F |
| A7R42 | 0757-0416 | 7 | | RESISTOR 511 1% .125W F TC=0+-100 | 24546 | C4-1/8-T0-511R-F |
| A7R43 | 0757-0199 | 3 | | RESISTOR 21.5K 1% .125W F TC=0+-100 | 24546 | C4-1/8-T0-2152-F |
| A7R44 | 0757-0442 | 9 | | RESISTOR 10K 1% .125W F TC=0+-100 | 24546 | C4-1/8-T0-1002-F |
| A7R45 | 0699-3160 | 8 | | RESISTOR 31.6K 1% .125W F TC=0+-100 | 24546 | C4-1/8-T0-3162-F |
| A7R46 | 0757-0442 | 9 | | RESISTOR 10K 1% .125W F TC=0+-100 | 24546 | C4-1/8-T0-1002-F |
| A7R47 | 0757-0442 | 9 | | RESISTOR 10K 1% .125W F TC=0+-100 | 24546 | C4-1/8-T0-1002-F |
| A7R48 | 0757-0458 | 7 | | RESISTOR 51.1K 1% .125W F TC=0+-100 | 24546 | C4-1/8-T0-5112-F |
| A7R49 | 0757-0443 | 0 | 2 | RESISTOR 11K 1% .125W F TC=0+-100 | 24546 | C4-1/8-T0-1102-F |
| A7R50 | 0757-0402 | 1 | | RESISTOR 110 1% .125W F TC=0+-100 | 24546 | C4-1/8-T0-111-F |
| A7R51 | 0757-0401 | 0 | | RESISTOR 100 1% .125W F TC=0+-100 | 24546 | C4-1/8-T0-101-F |
| A7R52 | 0757-0465 | 6 | | RESISTOR 100K 1% .125W F TC=0+-100 | 24546 | C4-1/8-T0-1003-F |
| A7R53 | 0757-0439 | 3 | | RESISTOR 5.11K 1% .125W F TC=0+-100 | 24546 | C4-1/8-T0-5111-F |
| A7R54 | 0757-0439 | 3 | | RESISTOR 5.11K 1% .125W F TC=0+-100 | 24546 | C4-1/8-T0-5111-F |
| A7R55 | 0757-0199 | 3 | | RESISTOR 21.5K 1% .125W F TC=0+-100 | 24546 | C4-1/8-T0-2152-F |
| A7R56 | 0699-3443 | 0 | | RESISTOR 287 1% .125W F TC=0+-100 | 24546 | C4-1/8-T0-287R-F |
| A7R57 | 0699-0083 | 8 | | RESISTOR 1.96K 1% .125W F TC=0+-100 | 24546 | C4-1/8-T0-1961-F |
| A7R58 | 0757-0346 | 2 | | RESISTOR 10 1% .125W F TC=0+-100 | 24546 | C4-1/8-T0-10R0-F |
| A7R59 | 0757-0198 | 2 | 1 | RESISTOR 100 1% .5W F TC=0+-100 | 28480 | 0757-0198 |
| A7R60 | 0757-0798 | 8 | 1 | RESISTOR 110 1% .5W F TC=0+-100 | 28480 | 0757-0798 |
| A7R61 | 0757-0346 | 2 | | RESISTOR 10 1% .125W F TC=0+-100 | 24546 | C4-1/8-T0-10R0-F |
| A7R62 | 0699-3437 | 2 | | RESISTOR 133 1% .125W F TC=0+-100 | 24546 | C4-1/8-T0-133R-F |
| A7R63 | 0757-0416 | 7 | | RESISTOR 511 1% .125W F TC=0+-100 | 24546 | C4-1/8-T0-511R-F |
| A7R64 | 0757-0428 | 1 | | RESISTOR 1.62K 1% .125W F TC=0+-100 | 24546 | C4-1/8-T0-1621-F |
| A7R65 | 0757-0280 | 3 | | RESISTOR 1K 1% .125W F TC=0+-100 | 24546 | C4-1/8-T0-1001-F |

See introduction to this section for ordering information
 *Indicates factory selected value
 †Backdating information in Section VII

Table 6-3. Replaceable Parts

| Reference Designation | HP Part Number | C D | Qty | Description | Mfr Code | Mfr Part Number |
|-----------------------|----------------|-----|-----|--|----------|----------------------|
| A7R66 | 0698-3159 | 5 | | RESISTOR 26.1K 1% .125W F TC=0+-100 | 24546 | C4-1/8-T0-2612-F |
| A7R67 | 2100-2521 | 0 | 1 | RESISTOR-TRMR 2K 10% C SIDE-ADJ 1-TRN | 30983 | ET50X202 |
| A7R68 | 0757-0442 | 9 | | RESISTOR 10K 1% .125W F TC=0+-100 | 24546 | C4-1/8-T0-1002-F |
| A7R69 | 0757-0403 | 2 | | RESISTOR 121 1% .125W F TC=0+-100 | 24546 | C4-1/8-T0-121R-F |
| A7R70 | 0698-3160 | 8 | | RESISTOR 31.6K 1% .125W F TC=0+-100 | 24546 | C4-1/8-T0-3162-F |
| A7R71 | 0757-0815 | 0 | | RESISTOR 562 1% .5W F TC=0+-100 | 28480 | 0757-0815 |
| A7TP1 | 1251-0600 | 0 | | CONNECTOR-SGL CONT PIN 1.14-MM-BSC-SZ SQ | 28480 | 1251-0600 |
| A7TP2 | 1251-0600 | 0 | | CONNECTOR-SGL CONT PIN 1.14-MM-BSC-SZ SQ | 28480 | 1251-0600 |
| A7TP3 | 1251-0600 | 0 | | CONNECTOR-SGL CONT PIN 1.14-MM-BSC-SZ SQ | 28480 | 1251-0600 |
| A7TP4 | 1251-0600 | 0 | | CONNECTOR-SGL CONT PIN 1.14-MM-BSC-SZ SQ | 28480 | 1251-0600 |
| A7TP5 | 1251-0600 | 0 | | CONNECTOR-SGL CONT PIN 1.14-MM-BSC-SZ SQ | 28480 | 1251-0600 |
| A7U1 | 1826-0600 | 9 | 2 | IC OP AMP LOW-BIAS-H-IMPD QUAD 14-DIP-P | 01295 | TL074ACN |
| A7U2 | 1826-0413 | 2 | 1 | IC OP AMP LOW-BIAS-H-IMPD TO-99 PKG | 34371 | HA2-2605-5 |
| A7U3 | 1826-0138 | 8 | | IC COMPARATOR GP QUAD 14-DIP-P PKG | 01295 | LM339N |
| A7U4 | 1926-0600 | 9 | | IC OP AMP LOW-BIAS-H-IMPD QUAD 14-DIP-P | 01295 | TL074ACN |
| A7U5 | 1826-0581 | 5 | 5 | IC SWITCH ANLG 16-DIP-C PKG | 27014 | LF135080 |
| A7U6 | 1826-0462 | 1 | 1 | IC CONV 10-B-D/A 16-DIP-C PKG | 04713 | MC3410CL |
| A7YR1 | 1902-0943 | 5 | 2 | DIODE-ZNR 2.4V 5% DO-35 PD=.4W TC=-.037% | 28480 | 1902-0943 |
| A7YR2 | 1902-0943 | 5 | | DIODE-ZNR 2.4V 5% DO-35 PD=.4W TC=-.037% | 28480 | 1902-0943 |
| A7YR3 | 1902-0041 | 4 | 1 | DIODE-ZNR 5.11V 5% DO-35 PD=.4W | 28480 | 1902-0041 |
| A7YR4 | 1902-0680 | 7 | 3 | DIODE-ZNR 1N827 6.2V 5% DO-7 PD=.4W | 24046 | 1N827 |
| A7YR5 | 1902-0958 | 2 | 6 | DIODE-ZNR 10V 5% DO-35 PD=.4W TC=-.075% | 28480 | 1902-0958 |
| AB | 08684-60009 | 3 | 1 | I/O BOARD | 28480 | 08684-60009 |
| ABC1 | 0180-2620 | 6 | | CAPACITOR-FXD 2.2UF+-10% 50VDC TA | 25088 | D2R2GS1B50K |
| ABC2 | 0180-2817 | 3 | 3 | CAPACITOR-FXD 47UF+-20% 10VDC TA | 28480 | 0180-2817 |
| ABC3 | 0180-2620 | 6 | | CAPACITOR-FXD 2.2UF+-10% 50VDC TA | 25088 | D2R2GS1B50K |
| ABC4 | 0180-2620 | 6 | | CAPACITOR-FXD 2.2UF+-10% 50VDC TA | 25088 | D2R2GS1B50K |
| ABC5 | 0180-2620 | 5 | | CAPACITOR-FXD 2.2UF+-10% 50VDC TA | 25088 | D2R2GS1B50K |
| ABC6 | 0180-2620 | 6 | | CAPACITOR-FXD 2.2UF+-10% 50VDC TA | 25088 | D2R2GS1B50K |
| ABC7 | 0180-2620 | 6 | | CAPACITOR-FXD 2.2UF+-10% 50VDC TA | 25088 | D2R2GS1B50K |
| ABC8 | 0180-2620 | 8 | | CAPACITOR-FXD 2.2UF+-10% 50VDC TA | 25088 | D2R2GS1B50K |
| ABC9 | 0180-2620 | 6 | | CAPACITOR-FXD 2.2UF+-10% 50VDC TA | 25088 | D2R2GS1B50K |
| ABC10 | 0180-2620 | 6 | | CAPACITOR-FXD 2.2UF+-10% 50VDC TA | 25088 | D2R2GS1B50K |
| ABC11 | 0180-2620 | 6 | | CAPACITOR-FXD 2.2UF+-10% 50VDC TA | 25088 | D2R2GS1B50K |
| ABC12 | 0180-2620 | 6 | | CAPACITOR-FXD 2.2UF+-10% 50VDC TA | 25088 | D2R2GS1B50K |
| ABC13 | 0180-2620 | 6 | | CAPACITOR-FXD 2.2UF+-10% 50VDC TA | 25088 | D2R2GS1B50K |
| ABC14 | 0180-2620 | 6 | | CAPACITOR-FXD 2.2UF+-10% 50VDC TA | 25088 | D2R2GS1B50K |
| ABC15 | 0160-3879 | 7 | | CAPACITOR-FXD .01UF +-20% 100VDC CER | 28480 | 0160-3879 |
| ABC16 | 0160-3879 | 7 | | CAPACITOR-FXD .01UF +-20% 100VDC CER | 28480 | 0160-3879 |
| ABC17 | 0160-0127 | 2 | | CAPACITOR-FXD 1UF +-20% 25VDC CER | 28480 | 0160-0127 |
| ABC18 | 0180-2620 | 6 | | CAPACITOR-FXD 2.2UF+-10% 50VDC TA | 25088 | D2R2GS1B50K |
| ABC19 | 0160-4766 | 3 | 1 | CAPACITOR-FXD 30PF +-5% 200VDC CER 0+-30 | 28480 | 0160-4766 |
| ABC20 | 0160-0572 | 1 | 5 | CAPACITOR-FXD 2200PF +-20% 100VDC CER | 28480 | 0160-0572 |
| ABC21 | 0160-0572 | 1 | | CAPACITOR-FXD 2200PF +-20% 100VDC CER | 28480 | 0160-0572 |
| ABC22 | 0160-0127 | 2 | | CAPACITOR-FXD 1UF +-20% 25VDC CER | 28480 | 0160-0127 |
| ABC23 | 0160-0573 | 2 | 1 | CAPACITOR-FXD 4700PF +-20% 100VDC CER | 28480 | 0160-0573 |
| ABC24 | 0160-0576 | 5 | | CAPACITOR-FXD .1UF +-20% 50VDC CER | 28480 | 0160-0576 |
| ABC25 | 0160-0576 | 5 | | CAPACITOR-FXD .1UF +-20% 50VDC CER | 28480 | 0160-0576 |
| ABC26 | 0180-2620 | 6 | | CAPACITOR-FXD 2.2UF+-10% 50VDC TA | 25088 | D2R2GS1B50K |
| ABC27 | 0180-2620 | 6 | | CAPACITOR-FXD 2.2UF+-10% 50VDC TA | 25088 | D2R2GS1B50K |
| ABC28 | 0160-3879 | 7 | | CAPACITOR-FXD .01UF +-20% 100VDC CER | 28480 | 0160-3879 |
| ABC29 | 0160-3879 | 7 | | CAPACITOR-FXD .01UF +-20% 100VDC CER | 28480 | 0160-3879 |
| ABC30 | 0160-0576 | 5 | | CAPACITOR-FXD .1UF +-20% 50VDC CER | 28480 | 0160-0576 |
| ABL1 | 9100-1620 | 5 | 4 | INDUCTOR RF-CH-PLD 15UH 10% .166DX.385LG | 28480 | 9100-1620 |
| ABL2 | 9100-1620 | 5 | | INDUCTOR RF-CH-PLD 15UH 10% .166DX.385LG | 28480 | 9100-1620 |
| ABL3 | 9100-1620 | 5 | | INDUCTOR RF-CH-PLD 15UH 10% .166DX.385LG | 28480 | 9100-1620 |
| ABMP1 | 08684-00015 | 5 | 1 | COVER-I/O | 28480 | 08684-00015 |
| ABMP2 | 5021-0866 | 7 | | KNOB-P.C. BOARD PULLER | 28480 | 5021-0866 |
| | 0515-0211 | 8 | | SCREW-MACH H3 X 0.5 6MM-LG PAN-HD | 00000 | ORDER BY DESCRIPTION |
| ABMP3 | 0510-0034 | 3 | | RETAINER-RING BMD EXT .25-IN-DIA STL | 28480 | 0510-0034 |
| ABMP4 | 0403-0026 | 6 | 2 | PLUG-HOLE BDR-HD FOR .187-D-HOLE NYL | 02768 | 207-120241-03-0101 |

See introduction to this section for ordering information
 *Indicates factory selected value
 †Backdating information in Section VII

Table 6-3. Replaceable Parts

| Reference Designation | HP Part Number | C D | Qty | Description | Mfr Code | Mfr Part Number |
|-----------------------|----------------|-----|-----|--|----------|---------------------|
| ABQ1 | 1854-0637 | 1 | | TRANSISTOR NPN 2N2219A SI TO-5 PD=800mW | 01295 | 2N2219A |
| ABR1 | 1810-0282 | 0 | | NETWORK-RES 10-SIP220.0K OHM X 9 | 01121 | 210A224 |
| ABR2 | 1810-0282 | 0 | | NETWORK-RES 10-SIP220.0K OHM X 9 | 01121 | 210A224 |
| ABR3 | 0698-6358 | 2 | 4 | RESISTOR 100K .1% .125W F TC=0+-25 | 28480 | 0698-6358 |
| ABR4 | 0698-7529 | 1 | 4 | RESISTOR 150K .1% .125W F TC=0+-50 | 19701 | MF4C1/8-T2-1503-B |
| ABR5 | | | | NOT ASSIGNED | | |
| ABR6 | 0698-6358 | 2 | | RESISTOR 100K .1% .125W F TC=0+-25 | 28480 | 0698-6358 |
| ABR7 | 0698-6358 | 2 | | RESISTOR 100K .1% .125W F TC=0+-25 | 28480 | 0698-6358 |
| ABR8 | 0698-6353 | 7 | 4 | RESISTOR 50K .1% .125W F TC=0+-25 | 28480 | 0698-6353 |
| ABR9 | 0698-6353 | 7 | | RESISTOR 50K .1% .125W F TC=0+-25 | 28480 | 0698-6353 |
| ABR10 | 0698-6353 | 7 | | RESISTOR 50K .1% .125W F TC=0+-25 | 28480 | 0698-6353 |
| ABR11 | 0698-6358 | 2 | | RESISTOR 100K .1% .125W F TC=0+-25 | 28480 | 0698-6358 |
| ABR12 | 2100-3054 | 6 | 3 | RESISTOR-TRMR 50K 10% C SIDE-ADJ 17-TRN | 02111 | 43P503 |
| ABR13 | | | | NOT ASSIGNED | | |
| ABR14 | 0698-3353 | 7 | | RESISTOR 50K .1% .125W F TC=0+-25 | 28480 | 0698-6353 |
| ABR15 | 2100-3054 | 6 | | RESISTOR-TRMR 50K 10% C SIDE-ADJ 17-TRN | 02111 | 43P503 |
| ABR16 | 0698-0465 | 2 | 1 | RESISTOR 46.33K .1% .1W F TC=0+-10 | 28480 | 0698-0465 |
| ABR17 | 0698-8251 | 8 | | RESISTOR 28.7K 1% .1W F TC=0+-10 | 19701 | 502321/8-T13-2872-F |
| ABR18 | 2100-3054 | 6 | | RESISTOR-TRMR 50K 10% C SIDE-ADJ 17-TRN | 02111 | 43P503 |
| ABR19 | 0698-8319 | 8 | 2 | RESISTOR 10K 1% .1W F TC=0+-10 | 19701 | 502321/8-T13-1002-F |
| ABR20 | 2100-3058 | 8 | | RESISTOR-TRMR 5K 10% C SIDE-ADJ 17-TRN | 02111 | 43P502 |
| ABR21* | 0698-8251 | 8 | 3 | RESISTOR 28.7K 1% .1W F TC=0+-10 | 19701 | 502321/8-T13-2872-F |
| ABR22 | 2100-3056 | 8 | | RESISTOR-TRMR 5K 10% C SIDE-ADJ 17-TRN | 02111 | 43P502 |
| ABR23 | 0698-8251 | 8 | | RESISTOR 28.7K 1% .1W F TC=0+-10 | 19701 | 502321/8-T13-2872-F |
| ABR24 | 0698-3442 | 9 | | RESISTOR 237 1% .125W F TC=0+-100 | 24546 | C4-1/8-T0-237R-F |
| ABR25 | 0757-0274 | 5 | | RESISTOR 1.21K 1% .125W F TC=0+-100 | 24546 | C4-1/8-T0-1211-F |
| ABR26 | 0698-8319 | 8 | | RESISTOR 10K 1% .1W F TC=0+-10 | 19701 | 502321/8-T13-1002-F |
| ABR27 | 0698-5355 | 7 | 1 | RESISTOR 5.62K 1% .1W F TC=0+-10 | 28480 | 0698-5355 |
| ABR28 | | | | NOT ASSIGNED | | |
| ABR29 | 0757-0346 | 2 | | RESISTOR 10 1% .125W F TC=0+-100 | 24546 | C4-1/8-T0-10R0-F |
| ABR30 | 0698-0090 | 7 | | RESISTOR 464 1% .5W F TC=0+-100 | 28480 | 0698-0090 |
| ABR31 | 2100-3109 | 2 | 1 | RESISTOR-TRMR 2K 10% C SIDE-ADJ 17-TRN | 02111 | 43P202 |
| ABR32 | 0698-0642 | 7 | 2 | RESISTOR 10K .1% .1W F TC=0+-5 | 28480 | 0698-0642 |
| ABR33 | 0698-3460 | 1 | 1 | RESISTOR 422K 1% .125W F TC=0+-100 | 28480 | 0698-3460 |
| ABR34 | 2100-3123 | 0 | 2 | RESISTOR-TRMR 500 10% C SIDE-ADJ 17-TRN | 02111 | 43P501 |
| ABR35 | 0698-3452 | 1 | | RESISTOR 147K 1% .125W F TC=0+-100 | 24546 | C4-1/8-T0-1473-F |
| ABR36 | 0698-3442 | 9 | | RESISTOR 237 1% .125W F TC=0+-100 | 24546 | C4-1/8-T0-237R-F |
| ABR37 | 0698-3452 | 1 | | RESISTOR 147K 1% .125W F TC=0+-100 | 24546 | C4-1/8-T0-1473-F |
| ABR38 | 0698-0642 | 7 | | RESISTOR 10K .1% .1W F TC=0+-5 | 28480 | 0698-0642 |
| ABR39 | 0757-0439 | 3 | | RESISTOR 5.11K 1% .125W F TC=0+-100 | 24546 | C4-1/8-T0-5111-F |
| ABR40 | 0698-0144 | 4 | 1 | RESISTOR 10K .01% .1W F TC=0+-5 | 28480 | 0698-0144 |
| ABR41 | 0698-6630 | 3 | 1 | RESISTOR 20K .1% .125W F TC=0+-25 | 28480 | 0698-6630 |
| ABR42 | 0757-0442 | 9 | | RESISTOR 10K 1% .125W F TC=0+-100 | 24546 | C4-1/8-T0-1002-F |
| ABR43 | 0698-8885 | 4 | 1 | RESISTOR 20K .01% .125W F TC=0+-10 | 28480 | 0698-8885 |
| ABR44 | 0757-0401 | 0 | | RESISTOR 100 1% .125W F TC=0+-100 | 24546 | C4-1/8-T0-101-F |
| ABR45 | 0757-0401 | 0 | | RESISTOR 100 1% .125W F TC=0+-100 | 24546 | C4-1/8-T0-101-F |
| ABR46 | 0698-3454 | 3 | 1 | RESISTOR 215K 1% .125W F TC=0+-100 | 24546 | C4-1/8-T0-2153-F |
| ABR47 | 0757-0280 | 3 | | RESISTOR 1K 1% .125W F TC=0+-100 | 24546 | C4-1/8-T0-1001-F |
| ABR48 | | | | NOT ASSIGNED | | |
| ABR49 | | | | NOT ASSIGNED | | |
| ABR50 | 0757-0280 | 3 | | RESISTOR 1K 1% .125W F TC=0+-100 | 24546 | C4-1/8-T0-1001-F |
| ABTP1 | 1251-0600 | 0 | | CONNECTOR-SGL CONT PIN 1.14-MM-BSC-SZ SQ | 28480 | 1251-0600 |
| ABTP2 | 1251-0600 | 0 | | CONNECTOR-SGL CONT PIN 1.14-MM-BSC-SZ SQ | 28480 | 1251-0600 |
| ABTP3 | 1251-0600 | 0 | | CONNECTOR-SGL CONT PIN 1.14-MM-BSC-SZ SQ | 28480 | 1251-0600 |
| ABTP4 | 1251-0600 | 0 | | CONNECTOR-SGL CONT PIN 1.14-MM-BSC-SZ SQ | 28480 | 1251-0600 |
| ABTP5 | 1251-0600 | 0 | | CONNECTOR-SGL CONT PIN 1.14-MM-BSC-SZ SQ | 28480 | 1251-0600 |
| ABTP6 | 1251-0600 | 0 | | CONNECTOR-SGL CONT PIN 1.14-MM-BSC-SZ SQ | 28480 | 1251-0600 |
| ABTP7 | 1251-0600 | 0 | | CONNECTOR-SGL CONT PIN 1.14-MM-BSC-SZ SQ | 28480 | 1251-0600 |
| ABTP8 | 1251-0600 | 0 | | CONNECTOR-SGL CONT PIN 1.14-MM-BSC-SZ SQ | 28480 | 1251-0600 |
| ABU1 | 1826-0574 | 6 | 1 | IC OP AMP LOW-DRIFT TO-99 PKG | 07263 | UA714LHC |
| ABU2 | 1826-0522 | 4 | | IC OP AMP LOW-BIAS-H-IMPD QUAD 14-DIP-P | 01295 | TL074CN |
| ABU3 | 1826-0865 | 8 | 1 | IC CONV 12-B-D/A 18-DIP-P PKG | 24355 | AD7541KN |
| ABU4 | 1820-1794 | 2 | 2 | IC BFR TTL LS NON-INV OCTL | 27014 | DM81LS95N |
| ABU5 | 1820-1730 | 6 | | IC FF TTL LS D-TYPE POS-EDGE-TRIG COM | 01295 | SN74LS273N |

See introduction to this section for ordering information
 *Indicates factory selected value
 †Backdating information in Section VII

Table 6-3. Replaceable Parts

| Reference Designation | HP Part Number | C D | Qty | Description | Mfr Code | Mfr Part Number |
|-----------------------|----------------|-----|-----|--|----------|----------------------|
| ABU6 | 1820-1730 | 6 | | IC FF TTL LS D-TYPE POS-EDGE-TRIG COM | 01295 | SN74LS273N |
| ABU7 | 1826-0581 | 5 | | IC SWITCH ANLG 16-DIP-C PKG | 27014 | LF13508D |
| ABU8 | 1826-0581 | 5 | | IC SWITCH ANLG 16-DIP-C PKG | 27014 | LF13508D |
| ABU9 | 1826-0581 | 5 | | IC SWITCH ANLG 16-DIP-C PKG | 27014 | LF13508D |
| ABU10 | 1826-0581 | 5 | | IC SWITCH ANLG 16-DIP-C PKG | 27014 | LF13508D |
| ABU11 | 1826-0522 | 4 | | IC OP AMP LOW-BIAS-H-IMPD QUAD 14-DIP-P | 01295 | TL074CN |
| ABU12 | 1826-0675 | 8 | 1 | IC SWITCH ANLG DUAL 14-DIP-P PKG | 01295 | TL182CN |
| ABU13 | 1826-0026 | 3 | | IC COMPARATOR PRCN 70-99 PKG | 01295 | LM311L |
| ABU14 | 1820-1730 | 6 | | IC FF TTL LS D-TYPE POS-EDGE-TRIG COM | 01295 | SN74LS273N |
| ABU15 | 1820-1730 | 6 | | IC FF TTL LS D-TYPE POS-EDGE-TRIG COM | 01295 | SN74LS273N |
| ABVR1 | 1802-0680 | 7 | | DIODE-ZNR 1N827 6.2V 5% DO-7 PD+.4W | 24046 | 1N827 |
| AG | 08684-60008 | 2 | 1 | CENTRAL PROCESSING UNIT BOARD | 28480 | 08684-60008 |
| AGC1 | 0180-2618 | 2 | 1 | CAPACITOR-FXD 33UF+-10% 10VDC TA | 25088 | D33GS1B10K |
| AGC2 | 0180-0491 | 5 | | CAPACITOR-FXD 10UF+-20% 25VDC TA | 28480 | 0180-0491 |
| AGC3 | 0180-0491 | 5 | | CAPACITOR-FXD 10UF+-20% 25VDC TA | 28480 | 0180-0491 |
| AGC4 | 0180-0491 | 5 | | CAPACITOR-FXD 10UF+-20% 25VDC TA | 28480 | 0180-0491 |
| AGC5 | 0180-0491 | 5 | | CAPACITOR-FXD 10UF+-20% 25VDC TA | 28480 | 0180-0491 |
| AGC6 | 0180-0491 | 5 | | CAPACITOR-FXD 10UF+-20% 25VDC TA | 28480 | 0180-0491 |
| AGC7 | 0180-0491 | 5 | | CAPACITOR-FXD 10UF+-20% 25VDC TA | 28480 | 0180-0491 |
| AGC8 | 0180-2617 | 1 | | CAPACITOR-FXD 6.8UF+-10% 35VDC TA | 25088 | D6R8GS1B35K |
| AGC9 | 0160-0575 | 4 | | CAPACITOR-FXD .047UF +-20% 50VDC CER | 28480 | 0160-0575 |
| AGC10 | 0160-3879 | 7 | | CAPACITOR-FXD .01UF +-20% 100VDC CER | 28480 | 0160-3879 |
| AGC11 | 0180-2620 | 6 | | CAPACITOR-FXD 2.2UF+-10% 50VDC TA | 25088 | D2R2GS1B50K |
| AGC12 | 0160-2306 | 3 | 3 | CAPACITOR-FXD 27PF +-5% 300VDC MICA | 28480 | 0160-2306 |
| AGC13 | 0160-2306 | 3 | | CAPACITOR-FXD 27PF +-5% 300VDC MICA | 28480 | 0160-2306 |
| AGC14 | 0140-0205 | 5 | 1 | CAPACITOR-FXD 62PF +-5% 300VDC MICA | 72136 | DM15E620J0300UV1CR |
| AGCR1 | 1901-0033 | 2 | | DIODE-GEN PRP 180V 200MA DO-7 | 28480 | 1901-0033 |
| AGL1 | 9140-0096 | 1 | | INDUCTOR RF-CH-PLD 1UH 10% .166DX.38SLG | 28480 | 9140-0096 |
| AGL2 | 9140-0129 | 1 | 1 | INDUCTOR RF-CH-PLD 220UH 5% .166DX.38SLG | 28480 | 9140-0129 |
| AGMP1 | 08684-00014 | 4 | 1 | COVER-CPU | 28480 | 08684-00014 |
| AGMP2 | 5021-0866 | 7 | | KNOB-PC PBOARD PULLER | 28480 | 5021-0866 |
| | 0515-0211 | 8 | | SCREW-MACH M3 X 0.5 6MM-LG PAN-HD | 00000 | ORDER BY DESCRIPTION |
| AGMP3 | 0510-0034 | 3 | | RETAINER-RING BWD EXT .25-IN-DIA STL | 28480 | 0510-0034 |
| AGMP4 | 0403-0026 | 6 | | PLUG-HOLE BOR-HD FOR .187-D-HOLE NYL | 02768 | 207-120241-03-0101 |
| AGR1 | 0757-0416 | 7 | | RESISTOR 511 1% .125W F TC=0+-100 | 24546 | C4-1/8-T0-511R-F |
| AGR2 | 1810-0204 | 6 | 1 | NETWORK-RES 8-SIP1.0K OHM X 7 | 01121 | 208A102 |
| AGR3 | 0757-0442 | 9 | | RESISTOR 10K 1% .125W F TC=0+-100 | 24546 | C4-1/8-T0-1002-F |
| AGR4 | 0757-1094 | 9 | | RESISTOR 1.47K 1% .125W F TC=0+-100 | 24546 | C4-1/8-T0-1471-F |
| AGR5 | 0757-0280 | 3 | | RESISTOR 1K 1% .125W F TC=0+-100 | 24546 | C4-1/8-T0-1001-F |
| AGR6 | 0698-0083 | 8 | | RESISTOR 1.96K 1% .125W F TC=0+-100 | 24546 | C4-1/8-T0-1961-F |
| AGR7 | 0698-0083 | 8 | | RESISTOR 1.96K 1% .125W F TC=0+-100 | 24546 | C4-1/8-T0-1961-F |
| AGR8 | 0757-0280 | 3 | | RESISTOR 1K 1% .125W F TC=0+-100 | 24546 | C4-1/8-T0-1001-F |
| AGR9 | 1810-0280 | 8 | 1 | NETWORK-RES 10-SIP10.0K OHM X 9 | 01121 | 210A103 |
| AGR10 | 0757-0280 | 3 | | RESISTOR 1K 1% .125W F TC=0+-100 | 24546 | C4-1/8-T0-1001-F |
| AGR11 | 1810-0206 | 8 | | NETWORK-RES 8-SIP10.0K OHM X 7 | 01121 | 208A103 |
| AGR12 | 0698-3453 | 2 | | RESISTOR 196K 1% .125W F TC=0+-100 | 24546 | C4-1/8-T0-1963-F |
| AGR13 | 0698-3159 | 5 | | RESISTOR 26.1K 1% .125W F TC=0+-100 | 24546 | C4-1/8-T0-2612-F |
| AGR14 | 0757-0442 | 9 | | RESISTOR 10K 1% .125W F TC=0+-100 | 24546 | C4-1/8-T0-1002-F |
| AGR15 | 0757-0442 | 9 | | RESISTOR 10K 1% .125W F TC=0+-100 | 24546 | C4-1/8-T0-1002-F |
| AGR16 | 0757-1094 | 9 | | RESISTOR 1.47K 1% .125W F TC=0+-100 | 24546 | C4-1/8-T0-1471-F |
| AGR17 | 1810-0282 | 0 | | NETWORK-RES 10-SIP220.0K OHM X 9 | 01121 | 210A224 |
| AGR18 | 1810-0282 | 0 | | NETWORK-RES 10-SIP220.0K OHM X 9 | 01121 | 210A224 |
| AGR19 | 0757-0280 | 3 | | RESISTOR 1K 1% .125W F TC=0+-100 | 24546 | C4-1/8-T0-1001-F |
| AGR20 | 0757-0280 | 3 | | RESISTOR 1K 1% .125W F TC=0+-100 | 24546 | C4-1/8-T0-1001-F |
| AGS1 | 3101-1524 | 4 | 1 | SWITCH-SL DP3T SUBMIN .5A 125VAC/DC PC | 28480 | 3101-1524 |
| AGTP1 | 1251-0600 | 0 | | CONNECTOR-SGL CONT PIN 1.14-MM-BSC-SZ SQ | 28480 | 1251-0600 |
| AGTP2 | 1251-0600 | 0 | | CONNECTOR-SGL CONT PIN 1.14-MM-BSC-SZ SQ | 28480 | 1251-0600 |
| AGTP3 | 1251-0600 | 0 | | CONNECTOR-SGL CONT PIN 1.14-MM-BSC-SZ SQ | 28480 | 1251-0600 |
| AGTP4 | 1251-0600 | 0 | | CONNECTOR-SGL CONT PIN 1.14-MM-BSC-SZ SQ | 28480 | 1251-0600 |
| AGTP5 | 1251-0600 | 0 | | CONNECTOR-SGL CONT PIN 1.14-MM-BSC-SZ SQ | 28480 | 1251-0600 |

See introduction to this section for ordering information
 *Indicates factory selected value
 †Backdating information in Section VII

Table 6-3. Replaceable Parts

| Reference Designation | HP Part Number | C | D | Qty | Description | Mfr Code | Mfr Part Number |
|-----------------------|----------------|---|---|-----|--|----------|--------------------|
| A8TP6 | 1251-0600 | 0 | | | CONNECTOR-SGL CONT PIN 1.14-MM-BSC-5Z SQ | 28480 | 1251-0600 |
| A8TP7 | 1251-0600 | 0 | | | CONNECTOR-SGL CONT PIN 1.14-MM-BSC-5Z SQ | 28480 | 1251-0600 |
| A8TP8 | 1251-0600 | 0 | | | CONNECTOR-SGL CONT PIN 1.14-MM-BSC-5Z SQ | 28480 | 1251-0600 |
| A8TP9 | 1251-0600 | 0 | | | CONNECTOR-SGL CONT PIN 1.14-MM-BSC-5Z SQ | 28480 | 1251-0600 |
| A8TP10 | 1251-0600 | 0 | | | CONNECTOR-SGL CONT PIN 1.14-MM-BSC-5Z SQ | 28480 | 1251-0600 |
| A9U1 | 1820-2088 | 2 | | 1 | IC MICROC NMOS 8-BIT | 04713 | MC6802P |
| A9U2 | 1820-1216 | 3 | | | IC DCDR TTL LS 3-TO-8-LINE 3-INP | 01295 | SN74LS138N |
| A9U3 | 1820-1216 | 3 | | | IC DCDR TTL LS 3-TO-8-LINE 3-INP | 01295 | SN74LS138N |
| A9U4 | 1820-1144 | 6 | | 1 | IC GATE TTL LS NOR QUAD 2-INP | 01295 | SN74LS02N |
| A9U5 | 1826-0205 | 0 | | 1 | IC TIMER TTL | 18324 | NE555A |
| A9U6 | 1820-1197 | 9 | | 1 | IC GATE TTL LS NAND QUAD 2-INP | 01295 | SN74LS00N |
| A9U7 | 1820-2075 | 4 | | 1 | IC MISC TTL LS | 01295 | SN74LS245N |
| A9U8* | 08684-80007 | 3 | | 1 | ROM - 8K | 28480 | 08684-80007 |
| A9U9 | | | | | EPROM - 2K | | |
| A9U10 | | | | | ROM-AUXILIARY PART | | |
| A9U11 | | | | | ROM-AUXILIARY PART | | |
| A9U12 | 1820-1784 | 2 | | | IC BFR TTL LS NON-INV OCTL | 27014 | DM81LS05N |
| A9U13 | 1820-1858 | 9 | | 2 | IC FF TTL LS D-TYPE OCTL | 01295 | SN74LS377N |
| A9U14 | 1820-1858 | 9 | | | IC FF TTL LS D-TYPE OCTL | 01295 | SN74LS377N |
| A9U1 | 8151-0013 | 4 | | | WIRE 22AWG 1X22 | 28480 | 8151-0013 |
| A9Y1 | 0410-0465 | 2 | | 1 | CRYSTAL-QUARTZ 4.00000 MHZ HC-6/U-HLDR | 28480 | 0410-0465 |
| | 0403-0253 | 1 | | 1 | BUMPER FOOT-ADH MTG .25-IN-WD | 28480 | 0403-0253 |
| A9XA9U1 | 1200-0654 | 7 | | 1 | SOCKET-IC 40-CONT DIP DIP-SLDR | 28480 | 1200-0654 |
| A9XA9U2- | | | | | NOT ASSIGNED | | |
| A9XA9U7 | 1200-0567 | 1 | | 1 | SOCKET-IC 28-CONT DIP DIP-SLDR | 28480 | 1200-0567 |
| A9XA9U8 | 1200-0541 | 1 | | 3 | SOCKET-IC 24-CONT DIP DIP-SLDR | 28480 | 1200-0541 |
| A9XA9U9 | | | | | | | |
| A9XA9U10 | 1200-0541 | 1 | | | SOCKET-IC 24-CONT DIP DIP-SLDR | 28480 | 1200-0541 |
| A9XA9U11 | 1200-0541 | 1 | | | SOCKET-IC 24-CONT DIP DIP-SLDR | 28480 | 1200-0541 |
| A10 | 08684-60012 | 8 | | 1 | FM SHAPER BOARD | 28480 | 08684-60012 |
| A10C1 | 0160-0576 | 5 | | | CAPACITOR-FXD .1UF +-20% 50VDC CER | 28480 | 0160-0576 |
| A10C2 | 0180-2617 | 1 | | | CAPACITOR-FXD 6.8UF+-10% 35VDC TA | 25088 | D6R8GS1B35K |
| A10C3 | 0160-0576 | 5 | | | CAPACITOR-FXD .1UF +-20% 50VDC CER | 28480 | 0160-0576 |
| A10C4 | 0160-0576 | 5 | | | CAPACITOR-FXD .1UF +-20% 50VDC CER | 28480 | 0160-0576 |
| A10C5 | 0160-0576 | 5 | | | CAPACITOR-FXD .1UF +-20% 50VDC CER | 28480 | 0160-0576 |
| A10C6 | 0180-2617 | 1 | | | CAPACITOR-FXD 6.8UF+-10% 35VDC TA | 25088 | D6R8GS1B35K |
| A10C7 | 0180-2815 | 1 | | | CAPACITOR-FXD 100UF+-20% 10VDC TA | 28480 | 0180-2815 |
| A10C8 | 0160-0576 | 5 | | | CAPACITOR-FXD .1UF +-20% 50VDC CER | 28480 | 0160-0576 |
| A10C9 | 0180-2617 | 1 | | | CAPACITOR-FXD 6.8UF+-10% 35VDC TA | 25088 | D6R8GS1B35K |
| A10C10 | 0160-0576 | 5 | | | CAPACITOR-FXD .1UF +-20% 50VDC CER | 28480 | 0160-0576 |
| A10C11 | 0180-2617 | 1 | | | CAPACITOR-FXD 6.8UF+-10% 35VDC TA | 25088 | D6R8GS1B35K |
| A10C12 | 0160-0576 | 5 | | | CAPACITOR-FXD .1UF +-20% 50VDC CER | 28480 | 0160-0576 |
| A10C13 | 0180-2617 | 1 | | | CAPACITOR-FXD 6.8UF+-10% 35VDC TA | 25088 | D6R8GS1B35K |
| A10C14 | 0160-0576 | 5 | | | CAPACITOR-FXD .1UF +-20% 50VDC CER | 28480 | 0160-0576 |
| A10C15 | 0180-2617 | 1 | | | CAPACITOR-FXD 6.8UF+-10% 35VDC TA | 25088 | D6R8GS1B35K |
| A10C16 | 0160-0576 | 5 | | | CAPACITOR-FXD .1UF +-20% 50VDC CER | 28480 | 0160-0576 |
| A10C17 | 0180-0049 | 9 | | 1 | CAPACITOR-FXD 20UF+75-10% 50VDC AL | 56289 | 30D206G050CC2 |
| A10C18 | 0160-0576 | 5 | | | CAPACITOR-FXD .1UF +-20% 50VDC CER | 28480 | 0160-0576 |
| A10C19 | 0160-0576 | 5 | | | CAPACITOR-FXD .1UF +-20% 50VDC CER | 28480 | 0160-0576 |
| A10C20 | 0160-0576 | 5 | | | CAPACITOR-FXD .1UF +-20% 50VDC CER | 28480 | 0160-0576 |
| A10C21 | 0160-0576 | 5 | | | CAPACITOR-FXD .1UF +-20% 50VDC CER | 28480 | 0160-0576 |
| A10C22 | 0160-0576 | 5 | | | CAPACITOR-FXD .1UF +-20% 50VDC CER | 28480 | 0160-0576 |
| A10C23 | 0160-0576 | 6 | | | CAPACITOR-FXD .1UF +-20% 50VDC CER | 28480 | 0160-0576 |
| A10C24 | 0140-0196 | 3 | | 3 | CAPACITOR-FXD 150PF +-5% 300VDC NICA | 72136 | DM15F151J0300UV1CR |
| A10C25 | 0160-0576 | 5 | | | CAPACITOR-FXD .1UF +-20% 50VDC CER | 28480 | 0160-0576 |
| A10C26 | 0160-0576 | 5 | | | CAPACITOR-FXD .1UF +-20% 50VDC CER | 28480 | 0160-0576 |
| A10C27 | 0160-3879 | 7 | | | CAPACITOR-FXD .01UF +-20% 100VDC CER | 28480 | 0160-3879 |
| A10C28 | | | | | NOT ASSIGNED | | |
| A10C29 | 0160-0127 | 2 | | | CAPACITOR-FXD 1UF +-20% 25VDC CER | 28480 | 0160-0127 |
| A10C30 | 0160-0576 | 5 | | | CAPACITOR-FXD .1UF +-20% 50VDC CER | 28480 | 0160-0576 |

See introduction to this section for ordering information
 *Indicates factory selected value
 †Backdating information in Section VII

Table 6-3. Replaceable Parts

| Reference Designation | HP Part Number | C D | Qty | Description | Mfr Code | Mfr Part Number |
|-----------------------|----------------|-----|-----|--|----------|------------------------------|
| A10C31 | 0160-0576 | 5 | | CAPACITOR-FXD .1UF +-20% 50VDC CER | 28480 | 0160-0576 |
| A10C32 | 0160-0576 | 5 | | CAPACITOR-FXD .1UF +-20% 50VDC CER | 28480 | 0160-0576 |
| A10C33 | 0180-0491 | 5 | | CAPACITOR-FXD 10UF+-20% 25VDC TA | 28480 | 0180-0491 |
| A10C34 | 0160-0576 | 5 | | CAPACITOR-FXD .1UF +-20% 50VDC CER | 28480 | 0160-0576 |
| A10C35 | 0180-0491 | 5 | | CAPACITOR-FXD 10UF+-20% 25VDC TA | 28480 | 0180-0491 |
| A10C36 | 0160-0576 | 5 | | CAPACITOR-FXD .1UF +-20% 50VDC CER | 28480 | 0160-0576 |
| A10C37 | 0160-0576 | 5 | | CAPACITOR-FXD .1UF +-20% 50VDC CER | 28480 | 0160-0576 |
| A10C38 | 0160-0576 | 5 | | CAPACITOR-FXD .1UF +-20% 50VDC CER | 28480 | 0160-0576 |
| A10C39 | 0160-0576 | 5 | | CAPACITOR-FXD .1UF +-20% 50VDC CER | 28480 | 0160-0576 |
| A10C40 | 0140-0185 | 2 | 1 | CAPACITOR-FXD 130PF +-5% 300VDC MICA | 72136 | DM15F131J0300WV1CR |
| A10C41 | 0160-0576 | 5 | | CAPACITOR-FXD .1UF +-20% 50VDC CER | 28480 | 0160-0576 |
| A10C42 | 0160-0127 | 2 | | CAPACITOR-FXD 1UF +-20% 25VDC CER | 28480 | 0160-0127 |
| A10C43 | 0160-0576 | 5 | | CAPACITOR-FXD .1UF +-20% 50VDC CER | 28480 | 0160-0576 |
| A10C44 | 0160-2306 | 3 | | CAPACITOR-FXD 27PF +-5% 300VDC MICA | 28480 | 0160-2306 |
| A10C45 | 0160-0576 | 5 | | CAPACITOR-FXD .1UF +-20% 50VDC CER | 28480 | 0160-0576 |
| A10C46 | 0160-0576 | 5 | | CAPACITOR-FXD .1UF +-20% 50VDC CER | 28480 | 0160-0576 |
| A10C47 | 0160-0127 | 2 | | CAPACITOR-FXD .1UF +-20% 25VDC CER | 28480 | 0160-0127 |
| A10C48 | 0160-0576 | 5 | | CAPACITOR-FXD .1UF +-20% 50VDC CER | 28480 | 0160-0576 |
| A10C49 | 0180-0553 | 0 | | CAPACITOR-FXD 22UF+-20% 25VDC TA | 28480 | 0180-0553 |
| A10CR1 | 1901-0033 | 2 | | DIODE-GEN PRP 180V 200MA DO-7 | 28480 | 1901-0033 |
| A10CR2 | 1901-0050 | 3 | | DIODE-SWITCHING 80V 200MA 2NS DO-35 | 28480 | 1901-0050 |
| A10CR3 | 1901-0050 | 3 | | DIODE-SWITCHING 80V 200MA 2NS DO-35 | 28480 | 1901-0050 |
| A10CR4 | 1901-0033 | 2 | | DIODE-GEN PRP 180V 200MA DO-7 | 28480 | 1901-0033 |
| A10CR5 | 1901-0050 | 3 | | DIODE-SWITCHING 80V 200MA 2NS DO-35 | 28480 | 1901-0050 |
| A10CR6 | 1901-0050 | 3 | | DIODE-SWITCHING 80V 200MA 2NS DO-35 | 28480 | 1901-0050 |
| A10CR7 | 1901-0033 | 2 | | DIODE-GEN PRP 180V 200MA DO-7 | 28480 | 1901-0033 |
| A10CR8 | 1901-0033 | 2 | | DIODE-GEN PRP 180V 200MA DO-7 | 28480 | 1901-0033 |
| A10CR9 | 1901-0033 | 2 | | DIODE-GEN PRP 180V 200MA DO-7 | 28480 | 1901-0033 |
| A10CR10 | 1901-0050 | 3 | | DIODE-SWITCHING 80V 200MA 2NS DO-35 | 28480 | 1901-0050 |
| A10CR11 | 1901-0050 | 3 | | DIODE-SWITCHING 80V 200MA 2NS DO-35 | 28480 | 1901-0050 |
| A10CR12 | 1901-0050 | 3 | | DIODE-SWITCHING 80V 200MA 2NS DO-35 | 28480 | 1901-0050 |
| A10CR13 | 1901-0050 | 3 | | DIODE-SWITCHING 80V 200MA 2NS DO-35 | 28480 | 1901-0050 |
| A10CR14 | 1901-0050 | 3 | | DIODE-SWITCHING 80V 200MA 2NS DO-35 | 28480 | 1901-0050 |
| A10CR15 | 1901-0050 | 3 | | DIODE-SWITCHING 80V 200MA 2NS DO-35 | 28480 | 1901-0050 |
| A10CR16 | 1901-0050 | 3 | | DIODE-SWITCHING 80V 200MA 2NS DO-35 | 28480 | 1901-0050 |
| A10CR17 | 1901-0050 | 3 | | DIODE-SWITCHING 80V 200MA 2NS DO-35 | 28480 | 1901-0050 |
| A10CR18 | 1901-0050 | 3 | | DIODE-SWITCHING 80V 200MA 2NS DO-35 | 28480 | 1901-0050 |
| A10CR19 | 1901-0050 | 3 | | DIODE-SWITCHING 80V 200MA 2NS DO-35 | 28480 | 1901-0050 |
| A10CR20 | 1901-0050 | 3 | | DIODE-SWITCHING 80V 200MA 2NS DO-35 | 28480 | 1901-0050 |
| A10CR21 | 1901-0050 | 3 | | DIODE-SWITCHING 80V 200MA 2NS DO-35 | 28480 | 1901-0050 |
| A10CR22 | 1901-0050 | 3 | | DIODE-SWITCHING 80V 200MA 2NS DO-35 | 28480 | 1901-0050 |
| A10CR23 | 1901-0050 | 3 | | DIODE-SWITCHING 80V 200MA 2NS DO-35 | 28480 | 1901-0050 |
| A10CR24 | 1901-0050 | 3 | | DIODE-SWITCHING 80V 200MA 2NS DO-35 | 28480 | 1901-0050 |
| A10CR25 | 1901-0050 | 3 | | DIODE-SWITCHING 80V 200MA 2NS DO-35 | 28480 | 1901-0050 |
| A10CR26 | 1901-0050 | 3 | | DIODE-SWITCHING 80V 200MA 2NS DO-35 | 28480 | 1901-0050 |
| A10CR27 | 1901-0050 | 3 | | DIODE-SWITCHING 80V 200MA 2NS DO-35 | 28480 | 1901-0050 |
| A10CR28 | 1901-0050 | 3 | | DIODE-SWITCHING 80V 200MA 2NS DO-35 | 28480 | 1901-0050 |
| A10CR29 | 1901-0050 | 3 | | DIODE-SWITCHING 80V 200MA 2NS DO-35 | 28480 | 1901-0050 |
| A10CR30 | 1901-0050 | 3 | | DIODE-SWITCHING 80V 200MA 2NS DO-35 | 28480 | 1901-0050 |
| A10CR31 | 1901-0050 | 3 | | DIODE-SWITCHING 80V 200MA 2NS DO-35 | 28480 | 1901-0050 |
| A10CR32 | 1901-0050 | 3 | | DIODE-SWITCHING 80V 200MA 2NS DO-35 | 28480 | 1901-0050 |
| A10CR33 | 1901-0050 | 3 | | DIODE-SWITCHING 80V 200MA 2NS DO-35 | 28480 | 1901-0050 |
| A10CR34 | 1901-0050 | 3 | | DIODE-SWITCHING 80V 200MA 2NS DO-35 | 28480 | 1901-0050 |
| A10CR35 | 1901-0033 | 2 | | DIODE-GEN PRP 180V 200MA DO-7 | 28480 | 1901-0033 |
| A10E1 | 9170-0847 | 3 | 3 | CORE-SHIELDING BEAD | 02114 | 56-590-65/38 PARYLENE COATED |
| A10E2 | 9170-0847 | 3 | | CORE-SHIELDING BEAD | 02114 | 56-590-65/38 PARYLENE COATED |
| A10E3 | 9170-0029 | 3 | | CORE-SHIELDING BEAD | 28480 | 9170-0029 |
| A10E4 | 9170-0029 | 3 | | CORE-SHIELDING BEAD | 28480 | 9170-0029 |
| A10E5 | 9170-0029 | 3 | | CORE-SHIELDING BEAD | 28480 | 9170-0029 |
| A10E6 | 9170-0029 | 3 | | CORE-SHIELDING BEAD | 28480 | 9170-0029 |
| | 8151-0013 | 4 | 1 | WIRE 22AWG 1X22 BARE WIRE USED IN E4,5,6. | 28480 | 8151-0013 |
| A10E7 | 9170-0029 | 3 | | CORE-SHIELDING BEAD | 28480 | 9170-0029 |
| A10E8 | 9170-0847 | 3 | | CORE-SHIELDING BEAD | 02114 | 56-590-65/38 PARYLENE COATED |

See introduction to this section for ordering information
 *Indicates factory selected value
 †Backdating information in Section VII

Table 6-3. Replaceable Parts

| Reference Designation | HP Part Number | C D | Qty | Description | Mfr Code | Mfr Part Number |
|-----------------------|-------------------------------------|-------------|-----|--|-------------------------|-------------------------------------|
| A10J1 | 1250-1220 2190-0124 2950-0078 | 0 4 9 | | CONNECTOR-RF SMC M PC 50-OHM WASHER-LK INTL T NO. 10 .195-IN-ID NUT-HEX-DBL-CHAM 10-32-THD .067-IN-THK | 28480 28480 28480 | 1250-1220 2190-0124 2950-0078 |
| A10J2 | 1250-1220 2190-0124 2950-0078 | 0 4 9 | | CONNECTOR-RF SMC M PC 50-OHM WASHER-LK INTL T NO. 10 .195-IN-ID NUT-HEX-DBL-CHAM 10-32-THD .067-IN-THK | 28480 28480 28480 | 1250-1220 2190-0124 2950-0078 |
| A10J3 | 1250-1220 2190-0124 2950-0078 | 0 4 9 | | CONNECTOR-RF SMC M PC 50-OHM WASHER-LK INTL T NO. 10 .195-IN-ID NUT-HEX-DBL-CHAM 10-32-THD .067-IN-THK | 28480 28480 28480 | 1250-1220 2190-0124 2950-0078 |
| A10K1 | 0490-0916 | 6 | | RELAY-REED 1A 500MA 100VDC 5VDC-COIL | 28480 | 0490-0916 |
| A10K2 | 0490-0916 | 6 | | RELAY-REED 1A 500MA 100VDC 5VDC-COIL | 28480 | 0490-0916 |
| A10K3 | 0490-0916 | 6 | | RELAY-REED 1A 500MA 100VDC 5VDC-COIL | 28480 | 0490-0916 |
| A10K4 | 0490-0916 | 6 | | RELAY-REED 1A 500MA 100VDC 5VDC-COIL | 28480 | 0490-0916 |
| A10L1 | | | | NOT ASSIGNED | | |
| A10L2 | 9100-2259 | 8 | 1 | INDUCTOR RF-CH-PLD 1.5UH 10% .105DX.26LG | 28480 | 9100-2259 |
| A10L3 | 9100-2260 | 1 | 2 | INDUCTOR RF-CH-PLD 1.8UH 10% .105DX.26LG | 28480 | 9100-2260 |
| A10L4 | 9100-2260 | 1 | 1 | INDUCTOR RF-CH-PLD 1.8UH 10% .105DX.26LG | 28480 | 9100-2260 |
| A10MP1 | 08684-00018 | 8 | 1 | COVER-FM SHAPER | 28480 | 08684-00018 |
| A10MP2 | 5021-0866 | 7 | | KNOB-P.C. BOARD PULLER | 28480 | 5021-0866 |
| A10MP3 | 0515-0211 0510-0034 | 8 3 | | SCREW-MACH M3 X 0.5 6MM-LG PAN-HD RETAINER-RING BMD EXT .25-IN-DIA STL | 00000 28489 | ORDER BY DESCRIPTION 0510-0034 |
| A10Q1 | 1853-0293 1205-0011 | 3 0 | 2 | TRANSISTOR PNP 2N5583 SI TO-39 PD=1W HEAT SINK TO-5/TO-39-CS | 04713 28480 | 2N5583 1205-0011 |
| A10Q2 | 1854-0597 1205-0011 | 2 0 | 9 | TRANSISTOR NPN 2N5943 SI TO-39 PD=1W HEAT SINK TO-5/TO-39-CS | 04713 28480 | 2N5943 1205-0011 |
| A10Q3 | 1854-0475 | 5 | 1 | TRANSISTOR-DUAL NPN PD=750MW | 28480 | 1854-0475 |
| A10Q4 | 1858-0032 | 8 | | TRANSISTOR ARRAY 14-PIN PLSTC DIP | 3L585 | CA3146E |
| A10Q5 | 1853-0405 1205-0202 | 8 1 | 2 | TRANSISTOR PNP SI PD=300MW FT=850MHZ THERMAL LINK DUAL TO-18-CS | 04713 28480 | 2N4209 1205-0202 |
| A10Q6 | 1853-0405 1205-0202 | 8 1 | | CONNECTS Q5 AND Q6. TRANSISTOR PNP SI PD=300MW FT=850MHZ THERMAL LINK DUAL TO-18-CS | 04713 28480 | 2N4209 1205-0202 |
| A10Q7 | 1854-0210 | 6 | 1 | TRANSISTOR NPN 2N2222 SI TO-18 PD=500MW | 04713 | 2N2222 |
| A10Q8 | 1853-0293 1205-0011 | 3 0 | | TRANSISTOR PNP 2N5583 SI TO-39 PD=1W HEAT SINK TO-5/TO-39-CS | 04713 28480 | 2N5583 1205-0011 |
| A10Q9 | 1853-0430 1205-0202 | 0 1 | 3 | TRANSISTOR PNP 2N4959 SI TO-72 PD=200MW THERMAL LINK DUAL TO-18-CS | 04713 28480 | 2N4959 1205-0202 |
| A10Q10 | 1853-0430 | 0 | | TRANSISTOR PNP 2N4959 SI TO-72 PD=200MW | 04713 | 2N4959 |
| A10Q11 | 1205-0202 | 1 | | THERMAL LINK DUAL TO-18-CS | 28480 | 1205-0202 |
| A10Q12 | 1853-0291 1854-0597 1205-0011 | 9 2 0 | | TRANSISTOR PNP 2N2907A SI TO-18 PD=400MW TRANSISTOR NPN 2N5943 SI TO-39 PD=1W HEAT SINK TO-5/TO-39-CS | 04713 04713 28480 | 2N2907A 2N5943 1205-0011 |
| A10Q13 | 1854-0345 | 8 | | TRANSISTOR NPN 2N5179 SI TO-72 PD=200MW | 04713 | 2N5179 |
| A10Q14 | 1853-0430 | 0 | | TRANSISTOR PNP 2N4959 SI TO-72 PD=200MW | 04713 | 2N4959 |
| A10Q15 | 1854-0295 | 7 | | TRANSISTOR-DUAL NPN PD=400MW | 28480 | 1854-0295 |
| A10Q16 | 1854-0477 | 7 | | TRANSISTOR NPN 2N2222A SI TO-18 PD=500MW | 04713 | 2N2222A |
| A10Q17 | 1853-0264 | 8 | | TRANSISTOR PNP SI PD=310MW FT=100MHZ | 04713 | 2N5401 |
| A10Q18 | 1853-0314 | 9 | | TRANSISTOR PNP 2N2905A SI TO-39 PD=600MW | 04713 | 2N2905A |
| A10Q19 | 1854-0689 | 3 | | TRANSISTOR-DUAL NPN TO-71 | 28480 | 1854-0689 |
| A10Q20 | 1853-0314 | 9 | | TRANSISTOR PNP 2N2905A SI TO-39 PD=600MW | 04713 | 2N2905A |
| A10R1 | 0757-0346 | 7 | | RESISTOR 511 1% .125W F TC=0+-100 | 24546 | C4-1/8-T0-511R-F |
| A10R2 | 0757-0394 | 0 | | RESISTOR 51.1 1% .125W F TC=0+-100 | 24546 | C4-1/8-T0-51R1-F |
| A10R3 | 0757-0346 | 2 | | RESISTOR 10 1% .125W F TC=0+-100 | 24546 | C4-1/8-T0-10R0-F |
| A10R4 | 0757-0346 | 2 | | RESISTOR 10 1% .125W F TC=0+-100 | 24546 | C4-1/8-T0-10R0-F |
| A10R5 | 0757-0346 | 2 | | RESISTOR 10 1% .125W F TC=0+-100 | 24546 | C4-1/8-T0-10R0-F |
| A10R6 | 0757-0346 | 2 | | RESISTOR 10 1% .125W F TC=0+-100 | 24546 | C4-1/8-T0-10R0-F |
| A10R7 | 0757-0346 | 2 | | RESISTOR 10 1% .125W F TC=0+-100 | 24546 | C4-1/8-T0-10R0-F |
| A10R8 | 0757-0346 | 2 | | RESISTOR 10 1% .125W F TC=0+-100 | 24546 | C4-1/8-T0-10R0-F |
| A10R9 | 0698-3444 | 1 | | RESISTOR 316 1% .125W F TC=0+-100 | 24546 | C4-1/8-T0-316R-F |
| A10R10 | 0757-0180 | 2 | | RESISTOR 31.6 1% .125W F TC=0+-100 | 28480 | 0757-0180 |
| A10R11 | 0698-0082 | 7 | | RESISTOR 464 1% .125W F TC=0+-100 | 24546 | C4-1/8-T0-4640-F |
| A10R12 | 2100-2123 | 0 | | RESISTOR-TRMR 500 10% C SIDE-AQJ 17-TRN | 02111 | 43P501 |
| A10R13 | 0698-3442 | 8 | | RESISTOR 237 1% .125W F TC=0+-100 | 24546 | C4-1/8-T0-237R-F |
| A10R14 | 0698-3440 | 7 | | RESISTOR 196 1% .125W F TC=0+-100 | 24546 | C4-1/8-T0-196R-F |
| A10R15 | 0757-0405 | 4 | | RESISTOR 162 1% .125W F TC=0+-100 | 21546 | C4-1/8-T0-162R-F |

See introduction to this section for ordering information
 *Indicates factory selected value
 †Backdating information in Section VII

Table 6-3. Replaceable Parts

| Reference Designation | HP Part Number | C D | Qty | Description | Mfr Code | Mfr Part Number |
|-----------------------|----------------|-----|-----|---|----------|-------------------|
| A10R16 | 0698-0083 | 8 | 39 | RESISTOR 1.06K 1% .125W F TC=0+-100 | 24546 | C4-1/8-T0-1961-F |
| A10R17* | 0757-0280 | 3 | | RESISTOR 1K 1% .125W F TC=0+-100 | 24546 | C4-1/8-T0-1001-F |
| A10R18* | 0757-0280 | 3 | | RESISTOR 1K 1% .125W F TC=0+-100 | 24546 | C4-1/8-T0-1001-F |
| A10R19* | 2100-3750 | 9 | | RESISTOR-TRMR 20K 10% C SIDE-ADJ 17-TRN | 28480 | 2100-3750 |
| A10R20 | 0698-3157 | 3 | 4 | RESISTOR 19.6K 1% .125W F TC=0+-100 | 24546 | C4-1/8-T0-1962-F |
| A10R21 | 0757-0438 | 3 | | RESISTOR 5.11K 1% .125W F TC=0+-100 | 24546 | C4-1/8-T0-5111-F |
| A10R22 | 0757-0401 | 0 | | RESISTOR 100 1% .125W F TC=0+-100 | 24546 | C4-1/8-T0-101-F |
| A10R23 | 0698-3455 | 4 | | RESISTOR 261K 1% .125W F TC=0+-100 | 24546 | C4-1/8-T0-2613-F |
| A10R24 | 0757-0438 | 3 | 3 | RESISTOR 5.11K 1% .125W F TC=0+-100 | 24546 | C4-1/8-T0-5111-F |
| A10R25 | 0698-3455 | 4 | | RESISTOR 261K 1% .125W F TC=0+-100 | 24546 | C4-1/8-T0-2613-F |
| A10R26 | 0757-0401 | 0 | | RESISTOR 100 1% .125W F TC=0+-100 | 24546 | C4-1/8-T0-101-F |
| A10R27 | 0698-3440 | 7 | | RESISTOR 196 1% .125W F TC=0+-100 | 24546 | C4-1/8-T0-196R-F |
| A10R28 | 0757-0280 | 3 | 3 | RESISTOR 1K 1% .125W F TC=0+-100 | 24546 | C4-1/8-T0-1001-F |
| A10R29 | 0698-3157 | 3 | | RESISTOR 19.6K 1% .125W F TC=0+-100 | 24546 | C4-1/8-T0-1962-F |
| A10R30 | 0698-3157 | 3 | | RESISTOR 19.6K 1% .125W F TC=0+-100 | 24546 | C4-1/8-T0-1962-F |
| A10R31 | 0698-0083 | 8 | | RESISTOR 1.06K 1% .125W F TC=0+-100 | 24546 | C4-1/8-T0-1961-F |
| A10R32 | 0757-0442 | 9 | 9 | RESISTOR 10K 1% .125W F TC=0+-100 | 24546 | C4-1/8-T0-1002-F |
| A10R33 | 0698-3154 | 0 | | RESISTOR 4.22K 1% .125W F TC=0+-100 | 24546 | C4-1/8-T0-4221-F |
| A10R34 | 0698-1434 | 1 | | RESISTOR 316 1% .125W F TC=0+-100 | 24546 | C4-1/8-T0-316R-F |
| A10R35 | 0757-0442 | 9 | | RESISTOR 10K 1% .125W F TC=0+-100 | 24546 | C4-1/8-T0-1002-F |
| A10R36- | | | 1 | NOT ASSIGNED | | |
| A10R38 | 0698-3444 | 1 | | RESISTOR 316 1% .125W F TC=0+-100 | 24546 | C4-1/8-T0-316R-F |
| A10R39 | 0757-1094 | 9 | | RESISTOR 1.47K 1% .125W F TC=0+-100 | 24546 | C4-1/8-T0-1471-F |
| A10R41 | 0698-3157 | 3 | | RESISTOR 19.6K 1% .125W F TC=0+-100 | 24546 | C4-1/8-T0-1962-F |
| A10R42 | 0698-3157 | 3 | 3 | RESISTOR 19.6K 1% .125W F TC=0+-100 | 24546 | C4-1/8-T0-1962-F |
| A10R43 | 0757-0440 | 7 | | RESISTOR 7.5K 1% .125W F TC=0+-100 | 24546 | C4-1/8-T0-7501-F |
| A10R44 | 0757-0280 | 3 | | RESISTOR 1K 1% .125W F TC=0+-100 | 24546 | C4-1/8-T0-1001-F |
| A10R45 | 0757-1084 | 9 | | RESISTOR 1.47K 1% .125W F TC=0+-100 | 24546 | C4-1/8-T0-1471-F |
| A10R46 | 0757-1084 | 9 | 9 | RESISTOR 1.47K 1% .125W F TC=0+-100 | 24546 | C4-1/8-T0-1471-F |
| A10R47 | 0757-0438 | 3 | | RESISTOR 5.11K 1% .125W F TC=0+-100 | 24546 | C4-1/8-T0-5111-F |
| A10R48 | 0757-0401 | 0 | | RESISTOR 100 1% .125W F TC=0+-100 | 24546 | C4-1/8-T0-101-F |
| A10R49 | 0698-0085 | 0 | | RESISTOR 2.61K 1% .125W F TC=0+-100 | 24546 | C4-1/8-T0-2611-F |
| A10R50 | 0757-0428 | 1 | 1 | RESISTOR 1.62K 1% .125W F TC=0+-100 | 24546 | C4-1/8-T0-1621-F |
| A10R51 | 0757-0180 | 2 | | RESISTOR 31.6 1% .125W F TC=0+-100 | 28480 | 0757-0180 |
| A10R52 | 0757-0180 | 2 | | RESISTOR 31.6 1% .125W F TC=0+-100 | 28480 | 0757-0180 |
| A10R53 | 0757-0289 | 1 | | RESISTOR 9.09K 1% .125W F TC=0+-100 | 19701 | MFAC1/8-T0-9091-F |
| A10R54 | 0757-0399 | 5 | 5 | RESISTOR 62.5 1% .125W F TC=0+-100 | 24546 | C4-1/8-T0-82R5-F |
| A10R55 | 0757-0399 | 5 | | RESISTOR 62.5 1% .125W F TC=0+-100 | 24546 | C4-1/8-T0-82R5-F |
| A10R56 | 0757-0438 | 3 | | RESISTOR 5.11K 1% .125W F TC=0+-100 | 24546 | C4-1/8-T0-5111-F |
| A10R57 | 0757-0440 | 7 | | RESISTOR 7.5K 1% .125W F TC=0+-100 | 24546 | C4-1/8-T0-7501-F |
| A10R58 | 0698-3449 | 6 | 3 | RESISTOR 28.7K 1% .125W F TC=0+-100 | 24546 | C4-1/8-T0-2872-F |
| A10R59 | 0698-3437 | 2 | | RESISTOR 133 1% .125W F TC=0+-100 | 24546 | C4-1/8-T0-133R-F |
| A10R60 | 0698-4037 | 0 | | RESISTOR 46.4 1% .125W F TC=0+-100 | 24546 | C4-1/8-T0-46R4-F |
| A10R61 | 0757-0159 | 5 | | RESISTOR 1K 1% .5W F TC=0+-100 | 28480 | 0757-0159 |
| A10R62 | 0757-0159 | 5 | 5 | RESISTOR 1K 1% .5W F TC=0+-100 | 28480 | 0757-0159 |
| A10R63 | 2100-3732 | 7 | | RESISTOR-TRMR 500 10% C SIDE-ADJ 17-TRN | 28480 | 2100-3732 |
| A10R64 | 0757-0416 | 7 | | RESISTOR 511 1% .125W F TC=0+-100 | 24546 | C4-1/8-T0-511R-F |
| A10R65 | 0698-3447 | 4 | | RESISTOR 422 1% .125W F TC=0+-100 | 24546 | C4-1/8-T0-422R-F |
| A10R66 | 0757-0416 | 7 | 7 | RESISTOR 511 1% .125W F TC=0+-100 | 24546 | C4-1/8-T0-511R-F |
| A10R67 | 0698-3449 | 6 | | RESISTOR 28.7K 1% .125W F TC=0+-100 | 24546 | C4-1/8-T0-2872-F |
| A10R68 | 0757-0274 | 5 | | RESISTOR 1.21K 1% .125W F TC=0+-100 | 24546 | C4-1/8-T0-1211-F |
| A10R69 | 0757-0403 | 2 | | RESISTOR 121 1% .125W F TC=0+-100 | 24546 | C4-1/8-T0-121R-F |
| A10R70 | 0757-0346 | 2 | 2 | RESISTOR 10 1% .125W F TC=0+-100 | 24546 | C4-1/8-T0-10R0-F |
| A10R71 | 0757-0394 | 0 | | RESISTOR 51.1 1% .125W F TC=0+-100 | 24546 | C4-1/8-T0-51R1-F |
| A10R72 | 0757-0346 | 2 | | RESISTOR 10 1% .125W F TC=0+-100 | 24546 | C4-1/8-T0-10R0-F |
| A10R73 | 0698-3402 | 1 | | RESISTOR 316 1% .5W F TC=0+-100 | 28480 | 0698-3402 |
| A10R74 | 0698-3402 | 1 | 1 | RESISTOR 316 1% .5W F TC=0+-100 | 28480 | 0698-3402 |
| A10R75 | 0698-3402 | 1 | | RESISTOR 316 1% .5W F TC=0+-100 | 28480 | 0698-3402 |
| A10R76 | 0698-3402 | 1 | | RESISTOR 316 1% .5W F TC=0+-100 | 28480 | 0698-3402 |
| A10R77 | 0757-0440 | 7 | | RESISTOR 7.5K 1% .125W F TC=0+-100 | 24546 | C4-1/8-T0-7501-F |
| A10R78 | 0757-0746 | 2 | 2 | RESISTOR 10 1% .125W F TC=0+-100 | 24546 | C4-1/8-T0-10R0-F |
| A10R79 | 0757-0346 | 2 | | RESISTOR 10 1% .125W F TC=0+-100 | 24546 | C4-1/8-T0-10R0-F |
| A10R80 | 0757-0401 | 0 | | RESISTOR 100 1% .125W F TC=0+-100 | 24546 | C4-1/8-T0-101-F |
| A10R81 | 0698-7529 | 1 | | RESISTOR 150K 1% .125W F TC=0+-50 | 19701 | MFAC1/8-T2-1503-B |

See introduction to this section for ordering information.
 *Indicates factory selected value.
 ?Backdating information in Section VII

Table 6-3. Replaceable Parts

| Reference Designation | HP Part Number | C D | Qty | Description | Mfr Code | Mfr Part Number |
|-----------------------|----------------|-----|-----|--|----------|----------------------|
| A10R2 | 0757-0465 | 6 | | RESISTOR 100K 1% .125W F TC=0+-100 | 24546 | C4-1/8-TD-1003-F |
| A10R3 | 0757-0428 | 1 | | RESISTOR 1.62K 1% .125W F TC=0+-100 | 24546 | C4-1/8-TD-1621-F |
| A10R4 | 0698-0083 | 8 | | RESISTOR 1.96K 1% .125W F TC=0+-100 | 24546 | C4-1/8-TD-1961-F |
| A10RT1 | 0837-0015 | 2 | 1 | THERMISTOR DISC 500-0HM TC=-4.4%/C-DEG | 28480 | 0837-0015 |
| A10TP1 | 0360-0535 | 0 | 18 | TERMINAL TEST POINT PCB | 00000 | ORDER BY DESCRIPTION |
| A10TP2 | 0360-0535 | 0 | | TERMINAL TEST POINT PCB | 00000 | ORDER BY DESCRIPTION |
| A10TP3 | 0360-0535 | 0 | | TERMINAL TEST POINT PCB | 00000 | ORDER BY DESCRIPTION |
| A10TP4 | 0360-0535 | 0 | | TERMINAL TEST POINT PCB | 00000 | ORDER BY DESCRIPTION |
| A10TP5 | 0360-0535 | 0 | | TERMINAL TEST POINT PCB | 00000 | ORDER BY DESCRIPTION |
| A10TP6 | 0360-0535 | 0 | | TERMINAL TEST POINT PCB | 00000 | ORDER BY DESCRIPTION |
| A10U1 | 1826-0051 | 4 | 1 | IC COMPARATOR GP DUAL 14-DIP-P PKG | 01295 | TL514CN |
| A10U2 | 1820-1387 | 5 | 1 | IC GATE TTL 5 AND QUAD 2-IMP | 01295 | SN74S08N |
| A10U3 | 1826-0323 | 3 | 1 | IC OP AMP GP QUAD 14-DIP-C PKG | 28480 | 1826-0323 |
| A10VR1 | 1902-3038 | 3 | 1 | DIODE-ZNR 3.16V 5% DO-7 PD=.4W TC=-.064% | 28480 | 1902-3038 |
| A10VR2 | 1902-0954 | 8 | 1 | DIODE-ZNR 6.8V 5% DO-35 PD=.4W TC=+.057% | 28480 | 1902-0954 |
| A10VR3 | 1902-0958 | 2 | | DIODE-ZNR 10V 5% DO-35 PD=.4W TC=-.075% | 28480 | 1902-0958 |
| A10VR4 | 1902-0958 | 2 | | DIODE-ZNR 10V 5% DO-35 PD=.4W TC=-.075% | 28480 | 1902-0958 |
| A10VR5 | 1902-3005 | 6 | 1 | DIODE-ZNR 2.43V 5% DO-7 PD=.4W TC=-.076% | 28480 | 1902-3005 |
| A10VR6 | 1902-3104 | 6 | | DIODE-ZNR 5.62V 5% DO-35 PD=.4W | 28480 | 1902-3104 |
| A10VR7 | 1902-0958 | 2 | | DIODE-ZNR 10V 5% DO-35 PD=.4W TC=-.075% | 28480 | 1902-0958 |
| A10VR8 | 1902-0949 | 1 | 1 | DIODE-ZNR 4.3V 5% DO-35 PD=.4W TC=+.017% | 28480 | 1902-0949 |
| A11 | 08684-60014 | 0 | 1 | POWER SUPPLY BOARD | 28480 | 08684-60014 |
| A11C1 | 0160-3457 | 7 | 1 | CAPACITOR-FXD 2000PF +-10% 250VDC CER | 28480 | 0160-3457 |
| A11C2 | 0160-4005 | 3 | 4 | CAPACITOR-FXD 1UF +-20% 100VDC CER | 28480 | 0160-4005 |
| A11C3 | 0160-4005 | 3 | | CAPACITOR-FXD 1UF +-20% 100VDC CER | 28480 | 0160-4005 |
| A11C4 | 0160-4005 | 3 | | CAPACITOR-FXD 1UF +-20% 100VDC CER | 28480 | 0160-4005 |
| A11C5 | 0160-4005 | 3 | | CAPACITOR-FXD 1UF +-20% 100VDC CER | 28480 | 0160-4005 |
| A11C6 | 0160-0572 | 1 | | CAPACITOR-FXD 2200PF +-20% 100VDC CER | 28480 | 0160-0572 |
| A11C7 | 0160-0572 | 1 | | CAPACITOR-FXD 2200PF +-20% 100VDC CER | 28480 | 0160-0572 |
| A11C8 | 0160-4084 | 8 | | CAPACITOR-FXD .1UF +-20% 50VDC CER | 28480 | 0160-4084 |
| A11C9 | 0160-4084 | 8 | | CAPACITOR-FXD .1UF +-20% 50VDC CER | 28480 | 0160-4084 |
| A11C10 | 0140-0196 | 3 | | CAPACITOR-FXD 150PF +-5% 300VDC MICA | 72136 | DM15F151J0300WVICR |
| A11C11 | 0160-4764 | 1 | | CAPACITOR-FXD 150PF +-5% 100VDC CER | 28480 | 0160-4764 |
| A11C12 | 0160-4387 | 4 | 2 | CAPACITOR-FXD 47PF +-5% 200VDC CER 0+-30 | 28480 | 0160-4387 |
| A11C13 | 0160-4387 | 4 | | CAPACITOR-FXD 47PF +-5% 200VDC CER 0+-30 | 28480 | 0160-4387 |
| A11C14 | 0180-2617 | 1 | | CAPACITOR-FXD 6.8UF+-10% 35VDC TA | 25088 | D6R8GS1B35K |
| A11C15 | 0180-2617 | 1 | | CAPACITOR-FXD 6.8UF+-10% 35VDC TA | 25088 | D6R8GS1B35K |
| A11C16 | 0180-2617 | 1 | | CAPACITOR-FXD 6.8UF+-10% 35VDC TA | 25088 | D6R8GS1B35K |
| A11C17 | 0180-2620 | 6 | | CAPACITOR-FXD 2.2UF+-10% 50VDC TA | 25088 | D2R2GS1B50K |
| A11C18 | 0160-0174 | 9 | 2 | CAPACITOR-FXD .47UF +80-20% 25VDC CER | 28480 | 0160-0174 |
| A11C19 | 0160-0174 | 9 | | CAPACITOR-FXD .47UF +80-20% 25VDC CER | 28480 | 0160-0174 |
| A11C20 | 0160-0127 | 2 | | CAPACITOR-FXD 1UF +-20% 25VDC CER | 28480 | 0160-0127 |
| A11C21 | 0180-0500 | 7 | 2 | CAPACITOR-FXD 47UF+-20% 20VDC TA | 28480 | 0180-0500 |
| A11C22 | 0160-0127 | 2 | | CAPACITOR-FXD 1UF +-20% 25VDC CER | 28480 | 0160-0127 |
| A11C23 | 0180-0500 | 7 | | CAPACITOR-FXD 47UF+-20% 20VDC TA | 28480 | 0180-0500 |
| A11C24 | 0160-4084 | 8 | | CAPACITOR-FXD .1UF +-20% 50VDC CER | 28480 | 0160-4084 |
| A11C25 | 0160-4084 | 8 | | CAPACITOR-FXD .1UF +-20% 50VDC CER | 28480 | 0160-4084 |
| A11C26 | 0160-4084 | 8 | | CAPACITOR-FXD .1UF +-20% 50VDC CER | 28480 | 0160-4084 |
| A11C27 | 0160-0572 | 1 | | CAPACITOR-FXD 2200PF +-20% 100VDC CER | 28480 | 0160-0572 |
| A11C28 | 0180-0491 | 5 | | CAPACITOR-FXD 10UF+-20% 25VDC TA | 28480 | 0180-0491 |
| A11C29 | 0180-0491 | 5 | | CAPACITOR-FXD 10UF+-20% 25VDC TA | 28480 | 0180-0491 |
| A11C30 | 0180-2617 | 1 | | CAPACITOR-FXD 6.8UF+-10% 35VDC TA | 25088 | D6R8GS1B35K |
| A11C31 | 0180-2617 | 3 | | CAPACITOR-FXD 47UF+-20% 10VDC TA | 28480 | 0180-2617 |
| A11C32 | 0180-2617 | 3 | | CAPACITOR-FXD 47UF+-20% 10VDC TA | 28480 | 0180-2617 |
| A11C33 | 0160-4084 | 8 | | CAPACITOR-FXD .1UF +-20% 50VDC CER | 28480 | 0160-4084 |
| A11C34 | 0140-0196 | 3 | | CAPACITOR-FXD 150PF +-5% 300VDC MICA | 72136 | DM15F151J0300WVICR |
| A11C35 | 0160-4084 | 8 | | CAPACITOR-FXD .1UF +-20% 50VDC CER | 28480 | 0160-4084 |
| A11C36 | 0160-4837 | 8 | 1 | CAPACITOR-FXD 2200PF +80-20% 100VDC CER | 28480 | 0160-4837 |
| A11CR1 | 1901-0328 | 8 | 15 | DIODE-PWR RECT 400V 1A 6US | 03508 | A140 |
| A11CR2 | 1901-0328 | 8 | | DIODE-PWR RECT 400V 1A 6US | 03508 | A140 |
| A11CR3 | 1901-0328 | 8 | | DIODE-PWR RECT 400V 1A 6US | 03508 | A140 |
| A11CR4 | 1901-0328 | 8 | | DIODE-PWR RECT 400V 1A 6US | 03508 | A140 |
| A11CR5 | 1901-0418 | 7 | 5 | DIODE-PWR RECT 400V 1.5A | 28480 | 1901-0418 |

See introduction to this section for ordering information
 *Indicates factory selected value
 †Backdating information in Section VII

Table 6-3. Replaceable Parts

| Reference Designation | HP Part Number | C | D | Qty | Description | Mfr Code | Mfr Part Number |
|-----------------------|----------------|---|---|-----|--|----------|----------------------|
| A11CR6 | 1901-0418 | 7 | | | DIODE-PWR RECT 400V 1.5A | 28480 | 1901-0418 |
| A11CR7 | 1901-0328 | 8 | | | DIODE-PWR RECT 400V 1A 6US | 03508 | A140 |
| A11CR8 | 1901-0050 | 3 | | | DIODE-SWITCHING 80V 200MA 2NS DO-35 | 28480 | 1901-0050 |
| A11CR9 | 1901-0050 | 3 | | | DIODE-SWITCHING 80V 200MA 2NS DO-35 | 28480 | 1901-0050 |
| A11CR10 | 1901-0028 | 5 | 3 | | DIODE-PWR RECT 400V 750MA DO-29 | 28480 | 1901-0028 |
| A11CR11 | 1901-0028 | 5 | | | DIODE-PWR RECT 400V 750MA DO-29 | 28480 | 1901-0028 |
| A11CR12 | 1901-0050 | 3 | | | DIODE-SWITCHING 80V 200MA 2NS DO-35 | 28480 | 1901-0050 |
| A11CR13 | 1901-0050 | 3 | | | DIODE-SWITCHING 80V 200MA 2NS DO-35 | 28480 | 1901-0050 |
| A11CR14 | 1901-0328 | 8 | | | DIODE-PWR RECT 400V 1A 6US | 03508 | A140 |
| A11CR15 | 1901-0328 | 8 | | | DIODE-PWR RECT 400V 1A 6US | 03508 | A140 |
| A11CR16 | 1901-0050 | 3 | | | DIODE-SWITCHING 80V 200MA 2NS DO-35 | 28480 | 1901-0050 |
| A11CR17 | 1901-0328 | 8 | | | DIODE-PWR RECT 400V 1A 6US | 03508 | A140 |
| A11CR18 | 1901-0418 | 7 | | | DIODE-PWR RECT 400V 1.5A | 28480 | 1901-0418 |
| A11CR19 | 1901-0418 | 7 | | | DIODE-PWR RECT 400V 1.5A | 28480 | 1901-0418 |
| A11CR20 | 1901-0328 | 8 | | | DIODE-PWR RECT 400V 1A 6US | 03508 | A140 |
| A11CR21 | 1901-0328 | 8 | | | DIODE-PWR RECT 400V 1A 6US | 03508 | A140 |
| A11CR22 | 1901-0328 | 8 | | | DIODE-PWR RECT 400V 1A 6US | 03508 | A140 |
| A11CR23 | 1901-0328 | 8 | | | DIODE-PWR RECT 400V 1A 6US | 03508 | A140 |
| A11CR24 | 1906-0231 | 2 | 1 | | DIODE-CT-RECT 200V 15A | 28480 | 1906-0231 |
| | 1205-0312 | 4 | 1 | | HEAT SINK SGL TO-3-CS | 28480 | 1205-0312 |
| | 2360-0119 | 8 | 4 | | SCREW-MACH 6-32 .438-IN-LG PAN-HD-POZI | 00000 | ORDER BY DESCRIPTION |
| | 2420-0001 | 5 | 4 | | NUT-HEX-W/LKMR 6-32-THD .108-IN-THK | 00000 | ORDER BY DESCRIPTION |
| | 6040-0239 | 9 | 1 | | LUBRICANT-GREASE SIL | 05820 | 120 |
| A11CR25 | 1901-0028 | 5 | | | DIODE-PWR RECT 400V 750MA DO-29 | 28480 | 1901-0028 |
| A11CR26 | 1901-0704 | 4 | 4 | | DIODE-PWR RECT 1N4002 100V 1A DO-41 | 01295 | 1N4002 |
| A11CR27 | 1901-0704 | 4 | | | DIODE-PWR RECT 1N4002 100V 1A DO-41 | 01295 | 1N4002 |
| A11CR28 | 1901-0704 | 4 | | | DIODE-PWR RECT 1N4002 100V 1A DO-41 | 01295 | 1N4002 |
| A11CR29 | 1901-0704 | 4 | | | DIODE-PWR RECT 1N4002 100V 1A DO-41 | 01295 | 1N4002 |
| A11CR30 | 1901-0328 | 8 | | | DIODE-PWR RECT 400V 1A 6US | 03508 | A140 |
| A11CR31 | 1901-0328 | 8 | | | DIODE-PWR RECT 400V 1A 6US | 03508 | A140 |
| A11CR32 | 1901-0328 | 8 | | | DIODE-PWR RECT 400V 1A 6US | 03508 | A140 |
| A11DS1 | 1990-0778 | 9 | 1 | | LED-LAMP ARRAY LUM-INT=800UCD | 28480 | 1990-0778 |
| A11DS2 | 1990-0597 | 0 | 2 | | LED-LAMP LUM-INT=1MCD IF=60MA-MAX BVR=5V | 28480 | 5082-4150 |
| A11DS3 | 1990-0597 | 0 | | | LED-LAMP LUM-INT=1MCD IF=60MA-MAX BVR=5V | 28480 | 5082-4150 |
| A11F1 | 2110-0002 | 9 | 2 | | FUSE 2A 250V NTD 1.25X.25 UL | 75915 | 312002 |
| A11F2 | 2110-0012 | 1 | 1 | | FUSE .5A 250V NTD 1.25X.25 UL | 28480 | 2110-0012 |
| A11F3 | 2110-0002 | 9 | | | FUSE 2A 250V NTD 1.25X.25 UL | 75915 | 312002 |
| A11F4 | 2110-0043 | 8 | 2 | | FUSE 1.5A 250V NTD 1.25X.25 UL | 28480 | 2110-0043 |
| A11F5 | 2110-0056 | 3 | 1 | | FUSE 6A 250V NTD 1.25X.25 UL IEC | 75915 | 312006 |
| A11F6 | 2110-0520 | 6 | 1 | | FUSE 5A 125V NTD .348X.25 | 75915 | 273005 |
| A11J1 | | | | | PC BOARD EDGE CONN TO TRANSF SEC | | |
| A11J2 | 1251-7033 | 7 | 1 | | CONNECTOR 5-PIN H POST TYPE | 28480 | 1251-7033 |
| A11Q1† | 1884-0244 | 9 | 6 | | THYRISTOR-SCR VRRM=400 | 3L585 | S2600D |
| A11Q2† | 1884-0244 | 9 | | | THYRISTOR-SCR VRRM=400 | 3L585 | S2600D |
| A11Q3† | 1884-0244 | 9 | | | THYRISTOR-SCR VRRM=400 | 3L585 | S2600D |
| A11Q4 | 1854-0810 | 2 | | | TRANSISTOR NPN SI PD=625MW FT=200MHZ | 29480 | 1854-0810 |
| A11Q5 | 1854-0810 | 2 | | | TRANSISTOR NPN SI PD=625MW FT=200MHZ | 28480 | 1854-0810 |
| A11Q6 | 1853-0459 | 3 | | | TRANSISTOR PNP SI PD=625MW FT=200MHZ | 28480 | 1853-0459 |
| A11Q7† | 1853-0001 | 1 | 2 | | TRANSISTOR PNP SI TO-39 PD=600MW | 28480 | 1853-0001 |
| | 1205-0011 | 0 | | | HEAT SINK TO-5/TO-39-CS | 28480 | 1205-0011 |
| | 1205-0011 | 0 | | | HEAT SINK TO-5/TO-39-CS | 28480 | 1205-0011 |
| A11Q8† | 1884-0244 | 9 | | | THYRISTOR-SCR VRRM=400 | 3L585 | S2600D |
| A11Q9† | 1884-0244 | 9 | | | THYRISTOR-SCR VRRM=400 | 3L585 | S2600D |
| A11Q10 | 1854-0625 | 7 | 2 | | TRANSISTOR NPN SI PD=65W FT=3MHZ | 01295 | TIP-41 |
| A11Q11 | 1854-0625 | 7 | | | TRANSISTOR NPN SI PD=65W FT=3MHZ | 01295 | TIP-41 |
| A11Q12 | 1854-0813 | 5 | 1 | | TRANSISTOR NPN 2N35015 SI TO-39 PD=1W | 28480 | 1854-0813 |
| A11Q13 | 1853-0459 | 3 | | | TRANSISTOR PNP SI PD=625MW FT=200MHZ | 28480 | 1853-0459 |
| A11Q14 | 1854-0810 | 2 | | | TRANSISTOR NPN SI PD=625MW FT=200MHZ | 28480 | 1854-0810 |
| A11Q15† | 1853-0001 | 1 | | | TRANSISTOR PNP SI TO-39 PD=600MW | 28480 | 1853-0001 |
| | 1205-0011 | 0 | | | HEAT SINK TO-5/TO-39-CS | 28480 | 1205-0011 |
| A11Q16 | 1853-0459 | 3 | | | TRANSISTOR PNP SI PD=625MW FT=200MHZ | 28480 | 1853-0459 |
| A11Q17 | 1853-0459 | 3 | | | TRANSISTOR PNP SI PD=625MW FT=200MHZ | 28480 | 1853-0459 |

See Introduction to this section for ordering information
 †Indicates factory selected value
 ‡Backdating information in Section VII

Table 6-3. Replaceable Parts

| Reference Designation | HP Part Number | C D | Qty | Description | Mfr Code | Mfr Part Number |
|-----------------------|----------------|-----|-----|---|----------|-------------------|
| A11Q18 | 1854-0810 | 2 | | TRANSISTOR NPN SI PD=625MHz FT=200MHz | 28490 | 1854-0810 |
| A11Q19† | 1854-0232 | 2 | 1 | TRANSISTOR NPN SI TO-39 PD=1W FT=15MHz | 28480 | 1854-0232 |
| | 1205-0011 | 0 | | HEAT SINK TO-5/TO-39-CS | 28480 | 1205-0011 |
| A11Q20† | 1884-0244 | 9 | | THYRISTOR-SCR VRRM=400 | 3L585 | S2600D |
| A11R1 | 0757-0401 | 0 | | RESISTOR 100 1% .125W F TC=0+-100 | 24546 | C4-1/8-T0-101-F |
| A11R2 | 0698-3447 | 4 | | RESISTOR 422 1% .125W F TC=0+-100 | 24546 | C4-1/8-T0-422R-F |
| A11R3 | 0757-0401 | 0 | | RESISTOR 100 1% .125W F TC=0+-100 | 24546 | C4-1/8-T0-101-F |
| A11R4 | 1810-0347 | 8 | 1 | NETWORK-RES 8-SIP20.0K OHM X 4 | 01121 | 208B222 |
| A11R5† | 0757-0290 | 5 | 4 | RESISTOR 6.19K 1% .125W F TC=0+-100 | 19701 | MF4C1/8-T0-6191-F |
| A11R6 | 2100-0670 | 6 | 2 | RESISTOR-TRMR 10K 10% C SIDE-ADJ 17-TRN | 32997 | 3292X-1-103 |
| A11R7 | 2100-0670 | 6 | | RESISTOR-TRMR 10K 10% C SIDE-ADJ 17-TRN | 32997 | 3292X-1-103 |
| A11R8 | 0698-3150 | 6 | | RESISTOR 2.37K 1% .125W F TC=0+-100 | 24546 | C4-1/8-T0-2371-F |
| A11R9 | 1810-0510 | 7 | 2 | NETWORK-RES 8-SIP20.0K OHM X 4 | 28480 | 1810-0510 |
| A11R10 | 0757-0189 | 3 | | RESISTOR 21.5K 1% .125W F TC=0+-100 | 24546 | C4-1/8-T0-2152-F |
| A11R11 | 0698-3160 | 8 | | RESISTOR 31.6K 1% .125W F TC=0+-100 | 24546 | C4-1/8-T0-3162-F |
| A11R12 | 0757-0280 | 3 | | RESISTOR 1K 1% .125W F TC=0+-100 | 24546 | C4-1/8-T0-1001-F |
| A11R13 | 0757-0280 | 3 | | RESISTOR 1K 1% .125W F TC=0+-100 | 24546 | C4-1/8-T0-1001-F |
| A11R14 | 0698-7413 | 2 | 2 | RESISTOR 17.4K .25% .125W F TC=0+-100 | 19701 | MF4C1/8-T0-1742-C |
| A11R15 | 0698-3437 | 2 | | RESISTOR 133 1% .125W F TC=0+-100 | 24546 | C4-1/8-T0-133R-F |
| A11R16 | 0757-0405 | 4 | | RESISTOR 162 1% .125W F TC=0+-100 | 24546 | C4-1/8-T0-162R-F |
| A11R17 | 0698-7413 | 2 | | RESISTOR 17.4K .25% .125W F TC=0+-100 | 19701 | MF4C1/8-T0-1742-C |
| A11R18 | 2100-3749 | 6 | 5 | RESISTOR-TRMR 5K 10% C SIDE-ADJ 17-TRN | 28480 | 2100-3749 |
| A11R19 | 1810-0509 | 4 | 1 | NETWORK-RES 8-SIP6.0K OHM X 4 | 28480 | 1810-0509 |
| A11R20 | 0698-3445 | 2 | | RESISTOR 348 1% .125W F TC=0+-100 | 24546 | C4-1/8-T0-348R-F |
| A11R21 | 0757-0442 | 9 | | RESISTOR 10K 1% .125W F TC=0+-100 | 24546 | C4-1/8-T0-1002-F |
| A11R22 | 0698-3443 | 0 | | RESISTOR 287 1% .125W F TC=0+-100 | 24546 | C4-1/8-T0-287R-F |
| A11R23 | 0698-3449 | 6 | | RESISTOR 26.7K 1% .125W F TC=0+-100 | 24546 | C4-1/8-T0-2672-F |
| A11R24 | 0698-3132 | 4 | | RESISTOR 261 1% .125W F TC=0+-100 | 24546 | C4-1/8-T0-2610-F |
| A11R25† | 2100-3750 | 9 | | RESISTOR-TRMR 20K 10% C SIDE-ADJ 17-TRN | 28480 | 2100-3750 |
| A11R26 | 1810-0510 | 7 | | NETWORK-RES 8-SIP20.0K OHM X 4 | 28480 | 1810-0510 |
| A11R27 | 0698-0085 | 0 | | RESISTOR 2.61K 1% .125W F TC=0+-100 | 24546 | C4-1/8-T0-2611-F |
| A11R28 | 0757-0290 | 5 | | RESISTOR 6.19K 1% .125W F TC=0+-100 | 19701 | MF4C1/8-T0-6191-F |
| A11R29 | 0698-7392 | 8 | 2 | RESISTOR 5.11K .25% .125W F TC=0+-100 | 19701 | MF4C1/8-T0-5111-C |
| A11R30 | 2100-3749 | 6 | | RESISTOR-TRMR 5K 10% C SIDE-ADJ 17-TRN | 28480 | 2100-3749 |
| A11R31 | 0698-3132 | 4 | | RESISTOR 261 1% .125W F TC=0+-100 | 24546 | C4-1/8-T0-2610-F |
| A11R32 | 2100-3749 | 6 | | RESISTOR-TRMR 5K 10% C SIDE-ADJ 17-TRN | 28480 | 2100-3749 |
| A11R33 | 2100-3749 | 6 | | RESISTOR-TRMR 5K 10% C SIDE-ADJ 17-TRN | 28480 | 2100-3749 |
| A11R34 | 0698-3155 | 1 | | RESISTOR 4.64K 1% .125W F TC=0+-100 | 24546 | C4-1/8-T0-4641-F |
| A11R35 | 0698-3155 | 1 | | RESISTOR 4.64K 1% .125W F TC=0+-100 | 24546 | C4-1/8-T0-4641-F |
| A11R36 | 0757-0440 | 7 | | RESISTOR 7.5K 1% .125W F TC=0+-100 | 24546 | C4-1/8-T0-7501-F |
| A11R37 | 0757-0440 | 7 | | RESISTOR 7.5K 1% .125W F TC=0+-100 | 24546 | C4-1/8-T0-7501-F |
| A11R38 | 0757-1094 | 9 | | RESISTOR 1.47K 1% .125W F TC=0+-100 | 24546 | C4-1/8-T0-1471-F |
| A11R39 | 0698-7392 | 6 | | RESISTOR 5.11K .25% .125W F TC=0+-100 | 19701 | MF4C1/8-T0-5111-C |
| A11R40 | 0757-0443 | 0 | | RESISTOR 11K 1% .125W F TC=0+-100 | 24546 | C4-1/8-T0-1102-F |
| A11R41 | 2100-0545 | 4 | 1 | RESISTOR-TRMR 1K 10% C SIDE-ADJ 17-TRN | 32997 | 3292X-1-102 |
| A11R42 | 0757-0440 | 7 | | RESISTOR 7.5K 1% .125W F TC=0+-100 | 24546 | C4-1/8-T0-7501-F |
| A11R43 | 2100-3749 | 6 | | RESISTOR-TRMR 5K 10% C SIDE-ADJ 17-TRN | 28480 | 2100-3749 |
| A11R44 | 1810-0444 | 6 | 1 | NETWORK-RES 8-SIP100.0K OHM X 4 | 01121 | 208B104 |
| A11R45 | 0757-0280 | 3 | | RESISTOR 1K 1% .125W F TC=0+-100 | 24546 | C4-1/8-T0-1001-F |
| A11R46 | 0757-0401 | 0 | | RESISTOR 100 1% .125W F TC=0+-100 | 24546 | C4-1/8-T0-101-F |
| A11R47 | 0757-0280 | 3 | | RESISTOR 1K 1% .125W F TC=0+-100 | 24546 | C4-1/8-T0-1001-F |
| A11R48 | 0757-0401 | 0 | | RESISTOR 100 1% .125W F TC=0+-100 | 24546 | C4-1/8-T0-101-F |
| A11R49 | 0698-3447 | 4 | | RESISTOR 422 1% .125W F TC=0+-100 | 24546 | C4-1/8-T0-422R-F |
| A11R50 | 0757-0417 | 8 | | RESISTOR 562 1% .125W F TC=0+-100 | 24546 | C4-1/8-T0-562R-F |
| A11R51 | 0811-3228 | 1 | 2 | RESISTOR 18 5% 2W PW TC=0+-20 | 28480 | 0811-3228 |
| A11R52 | 0757-0422 | 5 | | RESISTOR 909 1% .125W F TC=0+-100 | 24546 | C4-1/8-T0-909R-F |
| A11R53 | 0811-3228 | 1 | | RESISTOR 18 5% 2W PW TC=0+-20 | 28480 | 0811-3228 |
| A11R54 | 0757-0422 | 5 | | RESISTOR 909 1% .125W F TC=0+-100 | 24546 | C4-1/8-T0-909R-F |
| A11R55 | 0698-7529 | 1 | | RESISTOR 150K .1% .125W F TC=0+-50 | 19701 | MF4C1/8-T2-1503-B |
| A11R56 | 0698-7529 | 1 | | RESISTOR 150K .1% .125W F TC=0+-50 | 19701 | MF4C1/8-T2-1503-B |
| A11R57 | 0757-0189 | 3 | | RESISTOR 21.5K 1% .125W F TC=0+-100 | 24546 | C4-1/8-T0-2152-F |
| A11R58 | 0698-3437 | 2 | | RESISTOR 133 1% .125W F TC=0+-100 | 24546 | C4-1/8-T0-133R-F |
| A11R59 | 0757-0280 | 3 | | RESISTOR 1K 1% .125W F TC=0+-100 | 24546 | C4-1/8-T0-1001-F |
| A11R60 | 0757-0442 | 9 | | RESISTOR 10K 1% .125W F TC=0+-100 | 24546 | C4-1/8-T0-1002-F |

Table 6-3. Replaceable Parts

| Reference Designation | HP Part Number | C D | Qty | Description | Mfr Code | Mfr Part Number |
|-----------------------|----------------|-----|-----|---|----------|----------------------|
| A11R61 | 0757-0416 | 7 | | RESISTOR 511 1% .125W F TC=0+-100 | 24546 | C4-1/8-T0-511R-F |
| A11R62 | 2100-3755 | 4 | 1 | RESISTOR-TRMR 50 10% C SIDE-ADJ 17-TRN | 28480 | 2100-3755 |
| A11R63 | 0698-3445 | 2 | | RESISTOR 348 1% .125W F TC=0+-100 | 24546 | C4-1/8-T0-348R-F |
| A11R64 | 0757-0403 | 2 | | RESISTOR 121 1% .125W F TC=0+-100 | 24546 | C4-1/8-T0-121R-F |
| A11R65 | 0757-0403 | 2 | | RESISTOR 121 1% .125W F TC=0+-100 | 24546 | C4-1/8-T0-121R-F |
| A11R66 | 0698-3445 | 2 | | RESISTOR 348 1% .125W F TC=0+-100 | 24546 | C4-1/8-T0-348R-F |
| A11R67 | 0698-0085 | 0 | | RESISTOR 2.61K 1% .125W F TC=0+-100 | 24546 | C4-1/8-T0-2611-F |
| A11R68 | 0757-0288 | 1 | | RESISTOR 9.09K 1% .125W F TC=0+-100 | 19701 | MF4C1/8-T0-9091-F |
| A11R69 | 0757-0401 | 0 | | RESISTOR 100 1% .125W F TC=0+-100 | 24546 | C4-1/8-T0-101-F |
| A11R70 | 0757-0280 | 3 | | RESISTOR 1K 1% .125W F TC=0+-100 | 24546 | C4-1/8-T0-1001-F |
| A11R71 | 0757-0401 | 0 | | RESISTOR 100 1% .125W F TC=0+-100 | 24546 | C4-1/8-T0-101-F |
| A11R72 | 0757-0280 | 3 | | RESISTOR 1K 1% .125W F TC=0+-100 | 24546 | C4-1/8-T0-1001-F |
| A11R73 | 0757-0208 | 1 | | RESISTOR 9.09K 1% .125W F TC=0+-100 | 19701 | MF4C1/8-T0-9091-F |
| A11R74 | 0757-0280 | 3 | | RESISTOR 1K 1% .125W F TC=0+-100 | 24546 | C4-1/8-T0-1001-F |
| A11R75 | 0757-0280 | 3 | | RESISTOR 1K 1% .125W F TC=0+-100 | 24546 | C4-1/8-T0-1001-F |
| A11R76 | 0757-0417 | 8 | | RESISTOR 562 1% .125W F TC=0+-100 | 24546 | C4-1/8-T0-562R-F |
| A11R77 | 0698-3447 | 4 | | RESISTOR 422 1% .125W F TC=0+-100 | 24546 | C4-1/8-T0-422R-F |
| A11R78 | 0757-0280 | 3 | | RESISTOR 1K 1% .125W F TC=0+-100 | 24546 | C4-1/8-T0-1001-F |
| A11R79 | 0757-0280 | 3 | | RESISTOR 1K 1% .125W F TC=0+-100 | 24546 | C4-1/8-T0-1001-F |
| A11R80 | 0698-3447 | 4 | | RESISTOR 422 1% .125W F TC=0+-100 | 24546 | C4-1/8-T0-422R-F |
| A11R81* | 0757-0346 | 2 | 17 | RESISTOR 10 1% .125W F TC=0+-100 | 24546 | C4-1/8-T0-10R0-F |
| A11TP1 | 0360-0535 | 0 | | TERMINAL TEST POINT PCB | 00000 | ORDER BY DESCRIPTION |
| A11TP2 | 0360-0535 | 0 | | TERMINAL TEST POINT PCB | 00000 | ORDER BY DESCRIPTION |
| A11TP3 | 0360-0535 | 0 | | TERMINAL TEST POINT PCB | 00000 | ORDER BY DESCRIPTION |
| A11TP4 | 0360-0535 | 0 | | TERMINAL TEST POINT PCB | 00000 | ORDER BY DESCRIPTION |
| A11TP5 | 0360-0535 | 0 | | TERMINAL TEST POINT PCB | 00000 | ORDER BY DESCRIPTION |
| A11TP6 | 0360-0535 | 0 | | TERMINAL TEST POINT PCB | 00000 | ORDER BY DESCRIPTION |
| A11TP7 | 0360-0535 | 0 | | TERMINAL TEST POINT PCB | 00000 | ORDER BY DESCRIPTION |
| A11TP8 | 0360-0535 | 0 | | TERMINAL TEST POINT PCB | 00000 | ORDER BY DESCRIPTION |
| A11TP9 | 0360-0535 | 0 | | TERMINAL TEST POINT PCB | 00000 | ORDER BY DESCRIPTION |
| A11TP10 | 0360-0535 | 0 | | TERMINAL TEST POINT PCB | 00000 | ORDER BY DESCRIPTION |
| A11TP11 | 0360-0535 | 0 | | TERMINAL TEST POINT PCB | 00000 | ORDER BY DESCRIPTION |
| A11TP12 | 0360-0535 | 0 | | TERMINAL TEST POINT PCB | 00000 | ORDER BY DESCRIPTION |
| A11U1 | 1826-0783 | 9 | | IC OP AMP LOW-NOISE 8-DIP-C PKG | 52063 | XR5534ACN |
| A11U2 | 1826-0783 | 9 | | IC OP AMP LOW-NOISE 8-DIP-C PKG | 52063 | XR5534ACN |
| A11U3 | 1826-0783 | 9 | | IC OP AMP LOW-NOISE 8-DIP-C PKG | 52063 | XR5534ACN |
| A11U4 | 1826-0522 | 4 | | IC OP AMP LOW-BIAS-H-IMPQ QUAD 14-DIP-P | 01295 | TL074CN |
| A11U5 | 1826-0522 | 4 | | IC OP AMP LOW-BIAS-H-IMPQ QUAD 14-DIP-P | 01295 | TL074CN |
| A11U6 | 1826-0522 | 4 | | IC OP AMP LOW-BIAS-H-IMPQ QUAD 14-DIP-P | 01295 | TL074CN |
| A11VR1 | 1902-3369 | 5 | 1 | DIODE-ZNR 81.9V 5% DO-7 PD+.4W TC+.085% | 28480 | 1902-3369 |
| A11VR2 | 1902-0680 | 7 | | DIODE-ZNR 1N827 5.2V 5% DO-7 PD+.4W | 24046 | 1N827 |
| A11VR3 | 1902-0963 | 9 | 2 | DIODE-ZNR 16V 5% DO-35 PD+.4W TC+.088% | 28480 | 1902-0963 |
| A11VR4 | 1902-3301 | 5 | 1 | DIODE-ZNR 34.8V 5% DO-35 PD+.4W | 28480 | 1902-3301 |
| A11VR5 | 1902-0958 | 2 | | DIODE-ZNR 10V 5% DO-35 PD+.4W TC+.075% | 28480 | 1902-0958 |
| A11VR6 | 1902-0967 | 3 | 1 | DIODE-ZNR 24V 5% DO-35 PD+.4W TC+.094% | 28480 | 1902-0967 |
| A11VR7 | 1902-0955 | 9 | 1 | DIODE-ZNR 7.5V 5% DO-35 PD+.4W TC+.062% | 28480 | 1902-0955 |
| A11VR8 | 1902-0952 | 6 | 1 | DIODE-ZNR 5.6V 5% DO-35 PD+.4W TC+.046% | 28480 | 1902-0952 |
| A11VR9 | 1902-0963 | 9 | | DIODE-ZNR 16V 5% DO-35 PD+.4W TC+.088% | 28480 | 1902-0963 |
| A11VR10 | 1902-0958 | 2 | | DIODE-ZNR 10V 5% DO-35 PD+.4W TC+.075% | 28480 | 1902-0958 |
| | | | | MISCELLANEOUS PARTS | | |
| | 2360-0119 | 8 | | SCREW-MACH 6-32 .438-IN-LG PAN-HD-POZI | 00000 | ORDER BY DESCRIPTION |
| | 2420-0001 | 5 | | NUT-HEX-W/LKUR 6-32-THD .109-IN-THK | 00000 | ORDER BY DESCRIPTION |
| A11XA11F1- | | | | | | |
| A11XA11F5 | 2110-0269 | 0 | 2 | FUSEHOLDER-CLIP TYPE,2ED-FUSE | 28480 | 2110-0269 |
| A11XA11F6 | 1251-2194 | 1 | | CONNECTOR-SGL CONT SKT .021-IN-BSC-5Z | 28480 | 1251-2194 |
| A12 | 08684-60013 | 9 | 1 | MOTHERBOARD | 28480 | 08684-60013 |
| A12C1 | 0180-2987 | 8 | 1 | CAPACITOR-FXD .034F+75-10% 20VDC AL | 28480 | 0180-2987 |
| | 2680-0128 | 7 | 10 | SCREW-MACH 10-32 .25-IN-LG PAN-HD-POZI | 00000 | ORDER BY DESCRIPTION |
| | 2190-0011 | 8 | 10 | WASHER-LK INTL T NO. 10 .195-IN-ID | 28480 | 2190-0011 |
| A12C2 | 0180-3041 | 7 | 2 | CAPACITOR-FXD 8700UF+75-10% 40VDC AL | 28480 | 0180-3041 |
| | 2680-0128 | 7 | | SCREW-MACH 10-32 .25-IN-LG PAN-HD-POZI | 00000 | ORDER BY DESCRIPTION |
| | 2190-0011 | 8 | | WASHER-LK INTL T NO. 10 .195-IN-ID | 28480 | 2190-0011 |

See introduction to this section for ordering information
 *Indicates factory selected value
 †Backdating information in Section VII

Table 6-3. Replaceable Parts

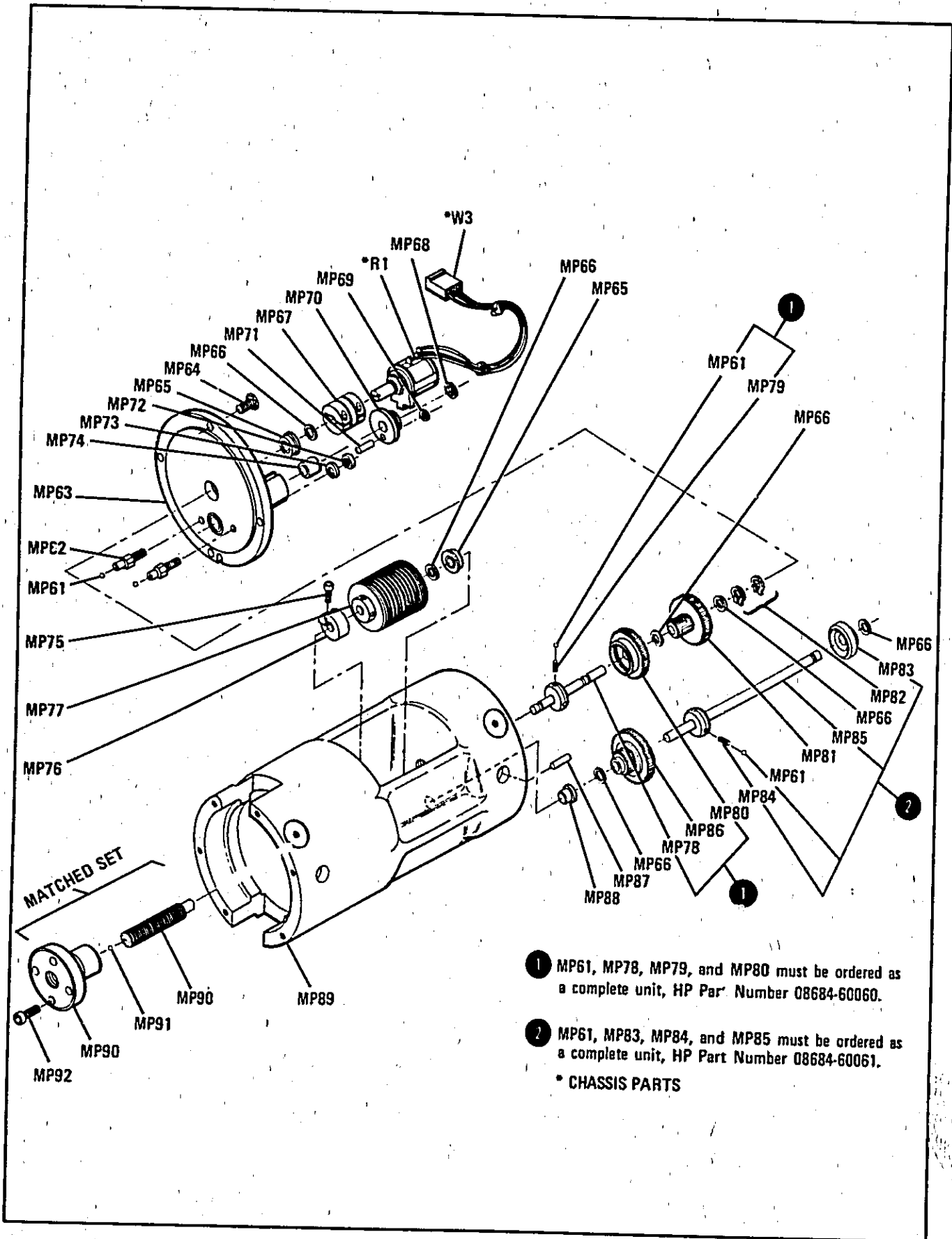
| Reference Designation | HP Part Number | C D | Qty | Description | Mfr Code | Mfr Part Number |
|-----------------------|----------------|-----|-------|--|----------|----------------------|
| A12C3 | 0180-3041 | 7 | 1 | CAPACITOR-FXD 8700UF*75-10% 40VDC AL SCREW-MACH 10-32 .25-IN-LG PAN-HD-POZI WASHER-LK INTL T NO. 10 .195-IN-ID | 28480 | 0180-3041 |
| | 2680-0128 | 7 | | | 00000 | ORDER BY DESCRIPTION |
| | 2190-0011 | 8 | | | 28480 | 2190-0011 |
| A12C4 | 0180-0677 | 8 | 1 | CAPACITOR-FXD 5800UF*75-10% 40VDC AL SCREW-MACH 10-32 .25-IN-LG PAN-HD-POZI WASHER-LK INTL T NO. 10 .195-IN-ID | 28480 | 0180-0677 |
| | 2680-0128 | 7 | | | 00000 | ORDER BY DESCRIPTION |
| | 2190-0011 | 8 | | | 28480 | 2190-0011 |
| A12C5 | 0180-3102 | 1 | 1 | CAPACITOR-FXD 3000UF*75-10% 75VDC AL SCREW-MACH 10-32 .25-IN-LG PAN-HD-POZI WASHER-LK INTL T NO. 10 .195-IN-ID | 28480 | 0180-3102 |
| | 2680-0128 | 7 | | | 00000 | ORDER BY DESCRIPTION |
| | 2190-0011 | 8 | | | 28480 | 2190-0011 |
| A12C6 | 0180-0197 | 8 | 1 | CAPACITOR-FXD 2.2UF*10% 20VDC TA | 56288 | 150D25X9020A2 |
| | | | | | | |
| A12CR1 | 1901-0418 | 7 | 1 | DIODE-PWR RECT 400V 1.5A INSULATOR-XSTR SLEB-DRG-POLYM | 28480 | 1901-0418 |
| | 0340-0669 | 8 | | | 28480 | 0340-0669 |
| A12J1 | 1251-5393 | 8 | 1 | CONNECTOR 3-PIN M POST TYPE | 28480 | 1251-5393 |
| A12J2 | 1251-6173 | 4 | 1 | CONNECTOR 2-PIN M POST TYPE | 28480 | 1251-6173 |
| A12J3 | 1251-4348 | 1 | 1 | CONNECTOR 6-PIN M POST TYPE | 28480 | 1251-4348 |
| A12J4 | 1251-4353 | 8 | 1 | CONNECTOR 3-PIN M POST TYPE | 28480 | 1251-4353 |
| A12J5 | 1251-5170 | 9 | 1 | CONNECTOR 2-PIN M POST TYPE | 28480 | 1251-5170 |
| A12J6 | 1251-6010 | 8 | 1 | CONNECTOR 3-PIN M POST TYPE | 28480 | 1251-6010 |
| A12MP1 | 0590-1076 | 3 | 10 | THREADED INSERT-NUT M3 X 0.5 1.5-MM-LG | 28480 | 0590-1076 |
| A12MP2 | 08684-00029 | 1 | 1 | PLATE-HEAT SINK INSULATOR-FLG-BSHG NYLON | 28480 | 08684-00029 |
| | 1200-0081 | 4 | | | 28480 | 1200-0081 |
| A12Q1 | 1853-0334 | 3 | 1 | TRANSISTOR PNP SI DARL PD=70W FT=1MHZ SCREW-MACHINE ASSEMBLY M3 X 0.5 12MM-LG CONNECTOR-SGL CONT SKT .04-IN-BSC-SZ RND | 04713 | MJE1090 |
| | 0515-0352 | 8 | | | 00000 | ORDER BY DESCRIPTION |
| | 1251-2313 | 6 | | | 28480 | 1251-2313 |
| A12Q2 | 1854-0743 | 0 | 1 | TRANSISTOR NPN 2N5678 SI TO-3 PD=150W SCREW-MACHINE ASSEMBLY M3 X 0.5 12MM-LG CONNECTOR-SGL CONT SKT .04-IN-BSC-SZ RND | 01295 | 2N5678 |
| | 0515-0352 | 8 | | | 00000 | ORDER BY DESCRIPTION |
| | 1251-2313 | 6 | | | 28480 | 1251-2313 |
| A12Q3* | 1854-0814 | 6 | 1 | TRANSISTOR NPN SI TO-66 PD=75W FT=3MHZ SCREW-MACHINE ASSEMBLY M3 X 0.5 10MM-LG CONNECTOR-SGL CONT SKT .03-IN-BSC-SZ RND | 28480 | 1854-0814 |
| | 0515-0353 | 9 | | | 00000 | ORDER BY DESCRIPTION |
| | 1251-3172 | 7 | | | 28480 | 1251-3172 |
| A12R1 | 0757-0280 | 3 | 1 | RESISTOR 1K 1% .125W F TC=0+-100 | 24546 | C4-1/8-T0-1001-F |
| A12R2 | 0698-3155 | 1 | 1 | RESISTOR 4.64K 1% .125W F TC=0+-100 | 24546 | C4-1/8-T0-4641-F |
| A12R3 | 0698-3155 | 1 | 1 | RESISTOR 4.64K 1% .125W F TC=0+-100 | 24546 | C4-1/8-T0-4641-F |
| A12R4 | 0757-0278 | 9 | 1 | RESISTOR 1.78K 1% .125W F TC=0+-100 | 24546 | C4-1/8-T0-1781-F |
| A12R5 | 0757-0447 | 4 | 1 | RESISTOR 16.2K 1% .125W F TC=0+-100 | 24546 | C4-1/8-T0-1622-F |
| A12R6 | 0811-1666 | 7 | 2 | RESISTOR 1 5% 2W PW TC=0+-800 RESISTOR 1 5% 2W PW TC=0+-800 | 75042 | BMH2-1R0-J |
| A12R7 | 0811-1666 | 7 | | | 75042 | BMH2-1R0-J |
| A12R8 | 0811-1672 | 5 | 1 | RESISTOR 3.3 5% 2W PW TC=0+-400 RESISTOR 23.7K 1% .125W F TC=0+-100 RESISTOR 1M 1% .125W F TC=0+-100 | 75042 | BMH2-3R3-J |
| A12R9 | 0698-3158 | 4 | | | 24546 | C4-1/8-T0-2372-F |
| A12R10 | 0698-8827 | 4 | | | 28480 | 0698-8827 |
| A12U1 | 1826-0837 | 4 | 1 | IC V RGLTR-ADJ-POS 1.2/32V TO-3 PKG SCREW-MACHINE ASSEMBLY M3 X 0.5 10MM-LG CONNECTOR-SGL CONT SKT .04-IN-BSC-SZ RND | 28480 | 1826-0837 |
| | 0515-0353 | 9 | | | 00000 | ORDER BY DESCRIPTION |
| | 1251-2313 | 6 | | | 28480 | 1251-2313 |
| A12U2 | 1826-0423 | 4 | 1 | IC V RGLTR TO-3 SCREW-MACHINE ASSEMBLY M3 X 0.5 10MM-LG CONNECTOR-SGL CONT SKT .04-IN-BSC-SZ RND | 27014 | LM317K |
| | 0515-0353 | 9 | | | 00000 | ORDER BY DESCRIPTION |
| | 1251-2313 | 6 | | | 28480 | 1251-2313 |
| A12XA1A | 1251-5720 | 5 | 3 | CONNECTOR 34-PIN M POST TYPE | 28480 | 1251-5720 |
| A12XA1B | 1251-6173 | 4 | 2 | CONNECTOR 2-PIN M POST TYPE | 28480 | 1251-6173 |
| A12XA2 | 1251-2026 | 8 | 1 | CONNECTOR-PC EDGE 18-CONT/ROW 2-ROWS | 28480 | 1251-2026 |
| A12XA3 | 1251-2026 | 8 | 1 | CONNECTOR-PC EDGE 18-CONT/ROW 2-ROWS | 28480 | 1251-2026 |
| A12XA4 | 1251-2026 | 8 | 1 | CONNECTOR-PC EDGE 18-CONT/ROW 2-ROWS | 28480 | 1251-2026 |
| A12XA5 | 1251-2026 | 8 | 13 | CONNECTOR-PC EDGE 18-CONT/ROW 2-ROWS CONNECTOR-PC EDGE 18-CONT/ROW 2-ROWS CONNECTOR-PC EDGE 18-CONT/ROW 2-ROWS CONNECTOR-PC EDGE 18-CONT/ROW 2-ROWS CONNECTOR-PC EDGE 18-CONT/ROW 2-ROWS CONNECTOR-PC EDGE 18-CONT/ROW 2-ROWS CONNECTOR-PC EDGE 18-CONT/ROW 2-ROWS CONNECTOR-PC EDGE 18-CONT/ROW 2-ROWS | 28480 | 1251-2026 |
| A12XA6 | 1251-2026 | 8 | | | 28480 | 1251-2026 |
| A12XA7 | 1251-2026 | 8 | | | 28480 | 1251-2026 |
| A12XA8A | 1251-2026 | 8 | | | 28480 | 1251-2026 |
| A12XA8B | 1251-2026 | 9 | | | 28480 | 1251-2026 |
| A12XA9A | 1251-2026 | 8 | | | 28480 | 1251-2026 |
| A12XA9B | 1251-2026 | 8 | | | 28480 | 1251-2026 |
| A12XA10 | 1251-2026 | 8 | | | 28480 | 1251-2026 |
| A12XA11A | 1251-2026 | 8 | 28480 | 1251-2026 | | |
| A12XA11B | 1251-2026 | 8 | 28480 | 1251-2026 | | |

See introduction to this section for ordering information
 *Indicates factory selected value
 †Backdating information in Section VII

Table 6-3. Replaceable Parts

| Reference Designation | HP Part Number | C D | Qty | Description | Mfr Code | Mfr Part Number |
|-----------------------|----------------|--------|-----|--|----------|-----------------|
| A13 | 08684-60016 | 2 | 1 | MICROCIRCUIT INTERCONNECT BOARD | 28480 | 08684-60016 |
| A13C1 | 0160-3879 | 7 | | CAPACITOR-FXD .01UF +-20% 100VDC CER | 28480 | 0160-3879 |
| A13C2 | 0160-3879 | 7 | | CAPACITOR-FXD .01UF +-20% 100VDC CER | 28480 | 0160-3879 |
| A13C3 | 0160-3877 | 5 | | CAPACITOR-FXD 100PF +-20% 200VDC CER | 28480 | 0160-3877 |
| A13F1 | 2110-0513 | 7 | 2 | FUSE .125A 125V NTD .348X.25 | 75915 | 273.125 |
| | 1251-2194 | 1 | 5 | CONNECTOR-SGL CONT SKT .021-IN-BSC-SZ | 28480 | 1251-2194 |
| A13F2 | 2110-0513 | 7 | | FUSE .125A 125V NTD .348X.25 | 75915 | 273.125 |
| | 1251-2194 | 1 | | CONNECTOR-SGL CONT SKT .021-IN-BSC-SZ | 28480 | 1251-2194 |
| A13L1 | 9100-1611 | 4 | | INDUCTOR RF-CH-MLD 220NH 20% | 28480 | 9100-1611 |
| A13L2 | 9100-1620 | 5 | | INDUCTOR RF-CH-MLD 15UH 10% .1660X.385LG | 28480 | 9100-1620 |
| A13VR1 | 1902-3139 | 7 | 1 | DIODE-ZNR 8.25V 5% DO-35 PD+.4W | 28480 | 1902-3139 |
| | 1251-3172 | 7 | | CONNECTOR-SGL CONT SKT .03-IN-BSC-SZ RND | 28480 | 1251-3172 |
| A14* | 08684-67017 | 7 | 1 | MICROWAVE OSCILLATOR | 28480 | 08684-67017 |
| A15 | | | | NOT ASSIGNED | | |
| A16 | 08684-67003 | 1 | 1 | MICROWAVE POWER AMPLIFIER | 28480 | 08684-67003 |
| A17 | 0960-0443 | 1 | 1 | LINE MODULE-FILTERED | 28480 | 0960-0443 |

See introduction to this section for ordering information
 *Indicates factory selected value
 †Backdating information in Section VII



1 MP61, MP78, MP79, and MP80 must be ordered as a complete unit, HP Part Number 08684-60060.

2 MP61, MP83, MP84, and MP85 must be ordered as a complete unit, HP Part Number 08684-60061.

* CHASSIS PARTS

Figure 6-1. A18 Oscillator Drive Assembly Illustrated Parts Breakdown

Table 6-3. Replaceable Parts

| Reference Designation | HP Part Number | C D | Qty | Description | Mfr Code | Mfr Part Number |
|-----------------------|----------------|-----|-----|--|----------|----------------------|
| A18 | 08684-60019 | 5 | 1 | OSCILLATOR DRIVE ASSEMBLY | 28480 | 08684-60019 |
| A18MP1- | | | | | | |
| A18MP60 | | | | NOT ASSIGNED | | |
| A18MP61 | 1410-0226 | 4 | 10 | BALL-BRG TYPE .09375-DIA GRADE-50 SST | 28480 | 1401-0226 |
| A18MP62 | 08684-20048 | 6 | 2 | RETAINER-BALL BEARING | 28480 | 08684-20048 |
| A18MP63 | 08684-20068 | 0 | 1 | CAP-DRIVE | 28480 | 08684-20068 |
| A18MP64 | 0515-0356 | 2 | | SCREW-MACHINE ASSEMBLY M3.5 X 0.6 | 00000 | ORDER BY DESCRIPTION |
| A18MP65 | 1410-0557 | 4 | 2 | BEARING-RDL BA .25-IN-ID .5-IN-OD 2-SHLD | 28480 | 1410-0557 |
| A18MP66 | 3050-0017 | 9 | 6 | WASHER-FL MTLCL 1/4 IN .26-IN-ID | 28480 | 3050-0017 |
| A18MP67 | 1500-0587 | 1 | 1 | COUPLER-RGD .781-LG AL | 13201 | 3497X1-8-8 |
| A18MP68 | 0510-1140 | 4 | 1 | RETAINER-RING *C*-RND EXT .312-IN-DIA | 28480 | 0510-1140 |
| A18MP69 | 0510-0958 | 0 | 1 | RETAINER-PUSH ON CIRC EXT .084-IN-DIA | 28480 | 0510-0958 |
| A18MP70 | 08684-20130 | 7 | 1 | BUSHING-FINGER | 28480 | 08684-20130 |
| A18MP71 | 1480-0518 | 4 | 1 | PIN-DWL ANSI-HDND/GND .0939-IN-DIA | 28480 | 1480-0518 |
| A18MP72 | 0535-0007 | 2 | | NUT-HEX DBL-CHAM M3.5 X 0.6 2.8MM-THK | 00000 | ORDER BY DESCRIPTION |
| A18MP73 | 2190-0585 | 1 | | WASHER-LK MLCCL 3.5 MM 3.6-MM-ID | 28480 | 2190-0585 |
| A18MP74 | 1410-0046 | 6 | 1 | BEARING-SLV .252-IN-ID .377-IN-OD | 28480 | 1410-0046 |
| A18MP75 | 3030-0221 | 5 | 1 | SCREW-SKT HD CAP 4-40 .375-IN-LG SST-302 | 00000 | ORDER BY DESCRIPTION |
| A18MP76 | 08684-20129 | 4 | 1 | STOP-TRAVEL ADJUST | 28480 | 08684-20129 |
| A18MP77 | 1500-0606 | 5 | 1 | COUPLER-FLEX 1.804-WD .07-P SST | 28480 | 1500-0606 |
| A18MP78 | 08684-20066 | 8 | 1 | SHAFT-OSCILLATOR | 28483 | 08684-20066 |
| A18MP79 | 1460-1845 | 0 | 4 | SPRING-CPRSN .09-IN-OD .261-IN-OD-LG MM | 28480 | 1460-1845 |
| A18MP80 | 08664-20041 | 8 | 1 | CLUTCH-GEAR POT | 28480 | 08664-20041 |
| A18MP81 | 08684-20054 | 4 | 1 | GEAR-IDLER | 28480 | 08684-20054 |
| A18MP82 | 0510-0005 | 8 | 2 | RETAINER-RING BSC EXT .25-IN-DIA STL | 28480 | 0510-0005 |
| A18MP83 | 08684-20056 | 6 | 1 | CLUTCH-NORMAL | 28480 | 08684-20056 |
| A18MP84 | 1460-1844 | 9 | 4 | SPRING-CPRSN .09-IN-OD .238-IN-OD-LG MM | 28480 | 1460-1844 |
| A18MP85 | 08664-20067 | 8 | 1 | KNOB-SHAFT FREQ. TUNE | 28480 | 08664-20067 |
| A18MP86 | 08684-20051 | 1 | 1 | CLUTCH-RAPID | 28480 | 08684-20051 |
| A18MP87 | 1480-0021 | 4 | 1 | PIN-DWL ANSI-HDND/GND .1877-IN-DIA | 28480 | 1480-0021 |
| A18MP88 | 1410-0047 | 7 | 1 | BEARING-SLV .252-ID .377-OD .25-LG | 71041 | FB-46-2 |
| A18MP89 | 08684-20042 | 0 | 1 | HOUSING DRIVE | 28480 | 08684-20042 |
| A18MP90 | 08684-20043 | 1 | 1 | SCREW-LEAD (P/O MATCHED SET) | 28480 | 08684-20043 |
| A18MP91 | 1410-0005 | 7 | 1 | BALL-BRG TYPE .125-DIA GRADE-50 STL | 28480 | 1410-0005 |
| A18MP92 | 0515-0349 | 3 | 4 | SCREW-SKT-HD-CAP M3 X 0.5 12MM-LG | 00000 | ORDER BY DESCRIPTION |
| A18MP93- | | | | | | |
| A18MP100 | | | | NOT ASSIGNED | | |

See introduction to this section for ordering information
 *Indicates factory selected value
 †Backdating information in Section VII

Table 6-3. Replaceable Parts

| Reference Designation | HP Part Number | C D | Qty | Description | Mfr Code | Mfr Part Number |
|---|--|------------------|--------------------|---|----------------------------------|---|
| CHASSIS PARTS | | | | | | |
| AT1 | 08684-60030 | 0 | 1 | OUTPUT ATTENUATOR | 28480 | 08684-60030 |
| AT2 | | | | NOT ASSIGNED | | |
| AT3 | 08684-67004 | 2 | 1 | PULSE MODULATOR | 28480 | 08684-67004 |
| AT4 | 0955-0134 | 6 | 3 | ISOLATOR FREQ RANGE = 5.3 TO 12.7 GHZ | 28480 | 0955-0134 |
| AT5 | 0955-0134 | 6 | | ISOLATOR FREQ RANGE = 5.3 TO 12.7 GHZ | 28480 | 0955-0134 |
| AT6 | 0955-0134 | 6 | | ISOLATOR FREQ RANGE = 5.3 TO 12.7 GHZ | 28480 | 0955-0134 |
| AT7 | 0960-0634 | 2 | 1 | PERIPHERAL MODE ISOLATOR (OPTION 002) | 28480 | 0960-0634 |
| B1 | 3160-0381 | 3 | 1 | FAN-TBAX 30-CFM 115V 50/60-HZ 1.5KV-DIEL (EXCEPT OPT. 003) | 28480 | 3160-0381 |
| B1B | 3160-0317 | 5 | 1 | FAN-TBAX 40-CFM 115V 47-440-HZ (OPT. 003) | 28480 | 3160-0317 |
| B1C1 | 0160-3968 | 5 | 1 | CAPACITOR-FXD .47UF +-10PF 250VAC(RMS) (OPT. 003) | 28480 | 0160-3968 |
| B1NP1 | 0340-0037 | 5 | 1 | TERMINAL-STUD DBL-TUR PRESS-MTG (OPT. 003 ONLY) | 28480 | 0340-0037 |
| B1NP2 | 0340-0039 | 7 | 3 | TERMINAL BUSHING - TEFLON; MOUNTS IN (OPT. 003 ONLY) | 28480 | 0340-0039 |
| B1NP3 | 1400-0493 | 6 | 1 | CABLE TIE .062-1.25-DIA .14-WD NYL (OPT. 003 ONLY) | 06383 | PL71.5-MP8 |
| B1W22 | 8150-2639 | 2 | 2 | WIRE 22AWG BK 600V PVC 7X30 105C | 28480 | 8150-2639 |
| B1W22B | 8150-3125 | 3 | 1 | WIRE 22AWG BK/Y 600V PVC 7X30 105C | 28480 | 8150-3125 |
| C1 | 0160-4065 | 5 | 1 | CAPACITOR-FXD .1UF +-20% 250VAC(RMS) | 28480 | 0160-4065 |
| CR1 | 08684-67005 | 3 | 1 | MICROWAVE DETECTOR ASSEMBLY | 28480 | 08684-67005 |
| DC1 | 0955-0132 | 4 | 1 | COUPLER-DIRECTIONAL FREQ RANGE=5.3 TO | 28480 | 0955-0132 |
| F1 | 2110-0043 | 8 | | FUSE 1.5A 250V FOR 220V TO 240V AC IN | 28480 | 2110-0043 |
| F1 | 2110-0003 | 0 | 1 | FUSE 3A 250V NTD 1.25X.25 UL FOR 100V TO 120V AC IN | 75915 | 312003 |
| J1 | 1250-0102 | 5 | 4 | CONNECTOR-RF BNC FEM SGL-HOLE-FR 50-OHM | 28480 | 1250-0102 |
| | 2190-0068 | 5 | 2 | WASHER-LK INTL T 1/2 IN .505-IN-ID | 28480 | 2190-0068 |
| | 2950-0054 | 1 | 2 | NUT-HEX-DBL-CHAM 1/2-28-THD .125-IN-THK | 00000 | ORDER BY DESCRIPTION |
| J2 | 1250-0102 | 5 | | CONNECTOR-RF BNC FEM SGL-HOLE-FR 50-OHM | 28480 | 1250-0102 |
| J3 | 1250-0102 | 5 | | CONNECTOR-RF BNC FEM SGL-HOLE-FR 50-OHM | 28480 | 1250-0102 |
| J4 | 1250-0083 | 1 | 4 | CONNECTOR-RF BNC FEM SGL-HOLE-FR 50-OHM | 28480 | 1250-0083 |
| | 2190-0016 | 3 | 3 | WASHER-LK INTL T 3/8 IN .377-IN-ID | 28480 | 2190-0016 |
| | 2950-0001 | 8 | 4 | NUT-HEX-DBL-CHAM 3/8-32-THD .094-IN-THK | 00000 | ORDER BY DESCRIPTION |
| J5 | 1250-0083 | 1 | | CONNECTOR-RF BNC FEM SGL-HOLE-FR 50-OHM | 28480 | 1250-0083 |
| | 2190-0019 | 6 | 1 | WASHER-LK H.L.L. NO. 4 .115-IN-ID | 28480 | 2190-0019 |
| | 2950-0001 | 8 | | NUT-HEX-DBL-CHAM 3/8-32-THD .094-IN-THK | 00000 | ORDER BY DESCRIPTION |
| J6 | 08684-60058 | 2 | 1 | OUTPUT CONNECTOR | 28480 | 08684-60058 |
| J7 | | | | NOT SEPARATELY REPLACEABLE (P/O W33) | | |
| J8 | 1250-0083 | 1 | | CONNECTOR-RF BNC FEM SGL-HOLE-FR 50-OHM | 28480 | 1250-0083 |
| | 2190-0016 | 3 | | WASHER-LK INTL T 3/8 IN .377-IN-ID | 28480 | 2190-0016 |
| | 2950-0001 | 8 | | NUT-HEX-DBL-CHAM 3/8-32-THD .094-IN-THK | 00000 | ORDER BY DESCRIPTION |
| J9 | 1250-0083 | 1 | | CONNECTOR-RF BNC FEM SGL-HOLE-FR 50-OHM | 28480 | 1250-0083 |
| | 2190-0016 | 3 | | WASHER-LK INTL T 3/8 IN .377-IN-ID | 28480 | 2190-0016 |
| | 2950-0001 | 8 | | NUT-HEX-DBL-CHAM 3/8-32-THD .094-IN-THK | 00000 | ORDER BY DESCRIPTION |
| J10 | 1250-0102 | 5 | | CONNECTOR-RF BNC FEM SGL-HOLE-FR 50-OHM | 28480 | 1250-0102 |
| | 2190-0068 | 5 | | WASHER-LK INTL T 1/2 IN .505-IN-ID | 28480 | 2190-0068 |
| | 2950-0054 | 1 | | NUT-HEX-DBL-CHAM 1/2-28-THD .125-IN-THK | 00000 | ORDER BY DESCRIPTION |
| MP1-MP40 MP41-MP60 MP61-MP100 MP101-MP120 MP121 | 08684-00047 0515-0389 1520-0222 0515-0443 | 3 1 3 8 | 1 20 18 8 | SEE FRONT PANEL ILLUST. PARTS BREAKDOWN SEE REAR PANEL ILLUST. PARTS BREAKDOWN NOT ASSIGNED SEE CABINET PARTS ILL. PARTS BREAKDOWN BRACKET-DRIVE (BOTTOM) SCREW-MACHINE ASSEMBLY M3.5 X 0.6 8MM-LG SHOCK MOUNT .375-LG .75-OD SCREW-MACH M4 X 0.7 20MM-LG PAN-HO | 28480 00000 28480 28480 | 08684-00047 ORDER BY DESCRIPTION 1520-0222 0515-0443 |

See introduction to this section for ordering information
 *Indicates factory selected value
 †Backdating information in Section VII

Table 6-3. Replaceable Parts

| Reference Designation | HP Part Number | C D | Qty | Description | Mfr Code | Mfr Part Number |
|-----------------------|----------------|-----|-------------|--|----------|----------------------|
| HP122 | 2190-0586 | 2 | 8 | WASHER-LK HLCL 4.0 MM 4.1-MM-ID | 28480 | 2190-0586 |
| | 08684-00048 | 4 | 1 | BRACKET-DRIVE (TOP) | 28480 | 08684-00048 |
| | 0515-0356 | 2 | 8 | SCREW-MACHINE ASSEMBLY M3.5 X 0.6 | 00000 | ORDER BY DESCRIPTION |
| | 1520-0222 | 3 | | SHOCK MOUNT .375-LG .75-OD | 28480 | 1520-0222 |
| | 2190-0586 | 2 | | WASHER-LK HLCL 4.0 MM 4.1-MM-ID | 28480 | 2190-0586 |
| | 0515-0443 | 8 | | SCREW-MACH M4 X 0.7 20MM-LG PAN-HD | 28480 | 0515-0443 |
| HP123 | 0515-0389 | 1 | | SCREW-MACHINE ASSEMBLY M3.5 X 0.6 8MM-LG | 00000 | ORDER BY DESCRIPTION |
| | 08684-00050 | 8 | 1 | BRACKET-DRIVE | 28480 | 08684-00050 |
| HP124 | 2360-0115 | 4 | 2 | SCREW-MACH 6-32 .312-IN-LG PAN-HD-POZI | 00000 | ORDER BY DESCRIPTION |
| | 08662-20028 | 6 | 2 | PLUG-HOLE | 28480 | 08662-20028 |
| HP125 | 08684-00005 | 3 | 1 | DECK-MAIN | 28480 | 08684-00005 |
| | 1520-0227 | 3 | | SHOCK MOUNT .375-LG .75-OD | 28480 | 1520-0227 |
| | 2190-0401 | 0 | | WASHER-FL MM NO. 4 .12-IN-ID .312-IN-OD | 28480 | 2190-0401 |
| HP126 | 08684-00009 | 7 | 1 | BRACKET-SUPPLY | 28480 | 08684-00009 |
| HP127 | 08684-00021 | 3 | 1 | SCREW | 28480 | 08684-00021 |
| HP128 | 08684-00034 | 8 | 1 | BRACKET-ATTENUATOR | 28480 | 08684-00034 |
| | 2200-0105 | 4 | 2 | SCREW-MACH 4-40 .312-IN-LG PAN-HD-POZI | 00000 | ORDER BY DESCRIPTION |
| | 0515-0389 | 1 | | SCREW-MACHINE ASSEMBLY M3.5 X 0.6 8MM-LG | 00000 | ORDER BY DESCRIPTION |
| | 3050-0892 | 8 | | WASHER-FL HTLC 3.5 MM 3.8-MM-ID | 28480 | 3050-0892 |
| HP129 | 08684-00049 | 5 | 1 | BRACKET-DECK | 28480 | 08684-00049 |
| | 0515-0389 | 1 | | SCREW-MACHINE ASSEMBLY M3.5 X 0.6 8MM-LG | 00000 | ORDER BY DESCRIPTION |
| HP130 | 08684-20060 | 2 | 1 | EXTRUSION-6 BOARD | 28480 | 08684-20060 |
| | 0824-0268 | 6 | 66 | SCREW-TPG 4-24 .375-IN-LG PAN-HD-POZI | 00000 | ORDER BY DESCRIPTION |
| HP131 | 08684-20061 | 3 | 1 | EXTRUSION-3 BOARD | 28480 | 08684-20061 |
| | 0824-0268 | 6 | | SCREW-TPG 4-24 .375-IN-LG PAN-HD-POZI | 00000 | ORDER BY DESCRIPTION |
| HP132 | 7120-4163 | 7 | 2 | LABEL-WARNING .5-IN-WD 1-IN-LG AL | 28480 | 7120-4163 |
| HP133 | 7121-2527 | 5 | 1 | LABEL-INFORMATION .15-IN-WD .38-IN-LG | 28480 | 7121-2527 |
| HP134 | 08684-00042 | 8 | 1 | CONTACT-AMPLIFIER | 28480 | 08684-00042 |
| HP135 | 08684-00043 | 9 | 1 | CONTACT-MODULATOR | 28480 | 08684-00043 |
| HP136 | 08684-00035 | 9 | 1 | BRACKET-ISOLATOR | 28480 | 08684-00035 |
| Q1 | 7121-2504 | 8 | 1 | LABEL-INFORMATION .362-IN-WD .385-IN-LG | 28480 | 7121-2504 |
| | 1854-0669 | 9 | 1 | TRANSISTOR NPN 2N6057 SI TO-3 PD-150W | 04713 | 2N6057 |
| | 1200-0043 | 8 | 1 | INSULATOR-XSTR ALUMINUM | 28480 | 1200-0043 |
| | 08684-00046 | 2 | 1 | INSULATOR (Q1) | 28480 | 08684-00046 |
| R1 | 0626-0002 | 0 | 2 | SCREW-TPG 6-20 .5-IN-LG PAN-HD-SLT | 00000 | ORDER BY DESCRIPTION |
| | 2100-0398 | 5 | 1 | RESISTOR-VAR PREC WJ 10-TRN 50K 3% | 28480 | 2100-0398 |
| R2 | | | (FREQUENCY) | | | |
| R3 | 2100-3912 | 5 | 1 | RESISTOR-VAR W/SW 20K 10% LIN DPDT-NC-NO | 28480 | 2100-3912 |
| R4 | 0757-0418 | 9 | | (AM INPUT) | | |
| R5 | | | | RESISTOR 619 1% .125W F TC=0+-100 | 24546 | C4-1/8-TO-619R-F |
| R6 | | | | (P/O AM INPUT) | | |
| R7 | 2100-3913 | 6 | | RESISTOR-VAR W/SW 50 10% LIN DPDT-NC-NO | 28480 | 2100-3913 |
| R8 | | | | (FM INPUT/OUTPUT) | | |
| R9 | | | | NOT ASSIGNED | | |
| R10 | 2100-3946 | 5 | 1 | RESISTOR-VAR CONTROL CC 50K 30% LIN | 28480 | 2100-3946 |
| R11 | | | | (RF LEVEL 10 DB STEP) | | |
| R12 | 2100-3945 | 4 | 1 | RESISTOR-VAR CONTROL C 10K 10% LIN | 28480 | 2100-3945 |
| R13 | | | | (RF LEVEL VERNIER) | | |
| R14 | 2100-3933 | 0 | 1 | RESISTOR-VAR CONTROL CP 25K 10% LIN | 28480 | 2100-3933 |
| R15 | | | | (CABLE OFFSET) | | |
| R16 | 2190-0067 | 4 | | WASHER-LK INTL T 1/4 IN .256-IN-ID | 28480 | 2190-0067 |
| R17 | 2950-0006 | 3 | | NUT-HEX-DBL-CHAM 1/4-32-THD .094-IN-THK | 00000 | ORDER BY DESCRIPTION |
| S1 | 3101-2216 | 3 | 1 | SWITCH (LINE POWER ON/OFF) | 28480 | 3101-2216 |
| T1 | 9100-4209 | 2 | 1 | TRANSFORMER-POWER 100/120/220/240V | 28480 | 9100-4209 |
| U1 | 8120-3282 | 0 | 2 | CABLE-GRAY RIBBON FROM A1J1 TO A12XA1-B | 28480 | 8120-3282 |
| U2 | 8120-3282 | 0 | | CABLE-GRAY RIBBON FROM A1J2 TO A12XA1-A | 28480 | 8120-3282 |
| U3 | 08684-60046 | 8 | 1 | CABLE-FREQ. POT TO A12J1 | 28480 | 08684-60046 |
| U4 | 08684-60047 | 9 | 1 | CABLE-J4 AM INPUT TO A12J2 | 28480 | 08684-60047 |
| U5 | 08684-60048 | 0 | 1 | CABLE-FROM R6,7 LEVEL TO A12J3 | 28480 | 08684-60048 |
| U6 | 8120-3281 | 9 | 1 | CABLE-GRAY RIBBON FROM A12XA13 TO A13J1 | 28480 | 8120-3281 |
| U7 | 08684-60029 | 7 | 1 | CABLE-FROM A12J4 TO Q1 REGULATOR | 28480 | 08684-60029 |
| U8 | 08684-60045 | 7 | 1 | CABLE-FROM A12J5 TO J6,J9 REAR PANEL | 28480 | 08684-60045 |
| U9 | 08684-60044 | 6 | 1 | CABLE-FROM A12J6 TO R8 REAR PNL CBL-OFFS | 28480 | 08684-60044 |
| U10 | 08684-60057 | 1 | 1 | CABLE-FROM J1 INPUT PULSE TO A3J1 DELAY | 28480 | 08684-60057 |

See introduction to this section for ordering information
 *Indicates factory selected value
 †Backdating information in Section VII

Table 6-3. Replaceable Parts

| Reference Designation | HP Part Number | C | D | Qty | Description | Mfr Code | Mfr Part Number |
|-----------------------|----------------|---|---|-----|---|----------|-----------------|
| W11 | 08684-60023 | 1 | | 1 | CABLE-FROM A4J1 TO J3 VIDEO OUT | 28480 | 08684-60023 |
| W12 | 08684-60022 | 0 | | 1 | CABLE-FROM A2J1 TO J2 SYNC OUT | 28480 | 08684-60022 |
| W13 | 08684-60025 | 3 | | 1 | CABLE-FROM A6J1 TO J5 FM I/O (BRN) | 28480 | 08684-60025 |
| W14 | | | | | CABLE FROM J5 FM I/O TO A10J3 FM IN(YEL) NOT ASSIGNED. | | |
| W15 | 08684-60056 | 0 | | 1 | CABLE-FROM A4J2 ALC PULSE TO A6J2 | 28480 | 08684-60056 |
| W16 | 08684-60026 | 4 | | 1 | CABLE-FROM A7J1 30MHZ REF. TO A6J3 | 28480 | 08684-60026 |
| W17 | 08684-60027 | 5 | | 1 | CABLE-FROM A6J4 DET AMP TO A5J1 ALC CONT | 28480 | 08684-60027 |
| W18 | 08684-60038 | 8 | | 1 | CABLE-FROM A10 FM OUT TO OSC. VARACTOR | 28480 | 08684-60038 |
| W19 | 08684-60028 | 8 | | 1 | CABLE-FROM J10 PHASE LOCK IN TO A10J2 | 28480 | 08684-60028 |
| W20 | 8120-1378 | 1 | | 1 | CABLE ASSY 18AUG 3-CNDCT JGK-JKT | 28480 | 8120-1378 |
| W21 | 08684-60041 | 3 | | 1 | CABLE-LINE POWER MODULE SWITCH | 28480 | 08684-60041 |
| W22 | 8150-2639 | 2 | | 1 | WIRE 22AUG BK 600V PVC 7X30 105C (EXCEPT OPTION 003) | 23480 | 8150-2639 |
| W22 | 8150-3125 | 3 | | 1 | WIRE 22AUG BK/Y 600V PVC 7X30 105C (OPTION 003) | 28480 | 8150-3125 |
| W23 | 08684-60043 | 5 | | 1 | CABLE-A11 POWER SUPPLY TO OSCILLATOR | 28480 | 08684-60043 |
| W24- | | | | | NOT ASSIGNED | | |
| W29 | | | | | | | |
| W30† | 08684-20138 | 5 | | 1 | CABLE-A14 OSC. OUT TO A74 ISOL IN | 28480 | 08684-20138 |
| W31† | 08684-20139 | 6 | | 1 | CABLE-A74 ISOL OUT TO A75 ISOL IN | 28480 | 08684-20139 |
| W32 | 1250-1788 | 5 | | 3 | ADAPTOR-COAX A75 ISOL OUT TO A16 UW PWR | 28480 | 1250-1788 |
| W33 | 08684-20069 | 1 | | 1 | CABLE-REAR PANEL RF AUX OUT | 28480 | 08684-20069 |
| W34 | 1250-1788 | 5 | | 1 | CABLE-COAX A16 UW PWR AMP OUT | 28480 | 1250-1788 |
| W35 | 1250-1788 | 5 | | 1 | ADAPTOR-COAX A73 PUL MOD OUT TO A76 ISOL | 28480 | 1250-1788 |
| W36 | 08684-20073 | 7 | | 1 | CABLE-A76 ISOL OUT TO DC1 UW DC IN | 28480 | 08684-20073 |
| W37 | 08684-20128 | 3 | | 1 | CABLE-DC1 UW DC OUT TO A71 ATTEN IN | 28480 | 08684-20128 |
| W38 | 08684-20074 | 8 | | 1 | CABLE-FROM A71 OUT TO RF OUTPUT (EXCEPT OPTION 002) | 28480 | 08684-20074 |
| W39 | 08684-20077 | 1 | | 1 | A71 ATTEN OUT TO A77 PHI IN (OPT. 002) | 28480 | 08684-20077 |
| W40 | 08684-20078 | 2 | | 1 | A77 PHI OUT TO RF OUTPUT (OPT. 002) | 28480 | 08684-20078 |

See introduction to this section for ordering information
 *Indicates factory selected value
 †Backdating information in Section VII

Table 6-3. Replaceable Parts

| Reference Designation | HP Part Number | C/D | Qty | Description | Mfr Code | Mfr Part Number |
|---|----------------|-----|-----|-------------|----------|-----------------|
| <p>This page intentionally left blank</p> | | | | | | |

See introduction to this section for ordering information
*Indicates factory selected value
†Backdating information in Section VII

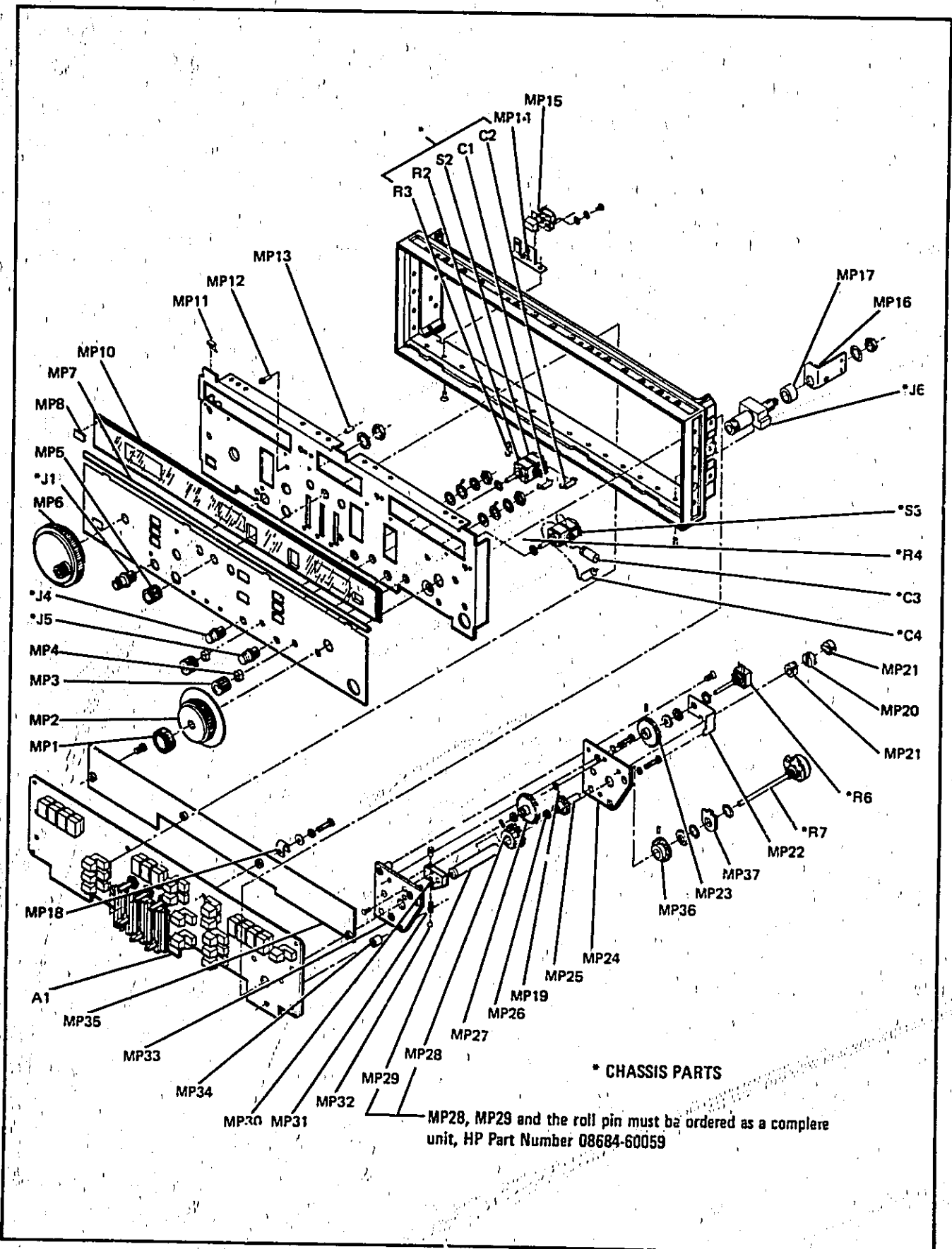


Figure 6-2. Front Panel Illustrated Parts Breakdown

Table 6-3. Replaceable Parts

| Reference Designation | HP Part Number | C D | Qty | Description | Mfr Code | Mfr Part Number |
|-----------------------|----------------|-----|-----|--|----------|----------------------|
| FRONT PANEL IPB | | | | | | |
| MP1 | 0370-3106 | 8 | 1 | KNOB-BASE 1 MGP .125-IN-ID | 28480 | 0370-3106 |
| MP2 | 0370-3108 | 0 | 1 | KNOB-SKIRTER LEVEL 47 MM DIA; 63.5 MM | 28480 | 0370-3108 |
| MP3 | 0370-3104 | 6 | 3 | KNOB-POINTER BLUE POINTER; 13 MM DIA 13 | 28480 | 0370-3104 |
| MP4 | 08684-20109 | 0 | 2 | NUT-FRONT PANEL POTS | 28480 | 08684-20109 |
| MP5 | 0370-3105 | 7 | 3 | KNOB-POINTER BLACK POINTER; 13 MM DIA 13 | 28480 | 0370-3105 |
| MP6 | 0370-3107 | 8 | 1 | KNOB-SKIRTED CRANK MINT GRAY; 2.50 IN | 28480 | 0370-3107 |
| MP7 | 5040-6928 | 4 | 1 | DIVIDER STRIP | 28480 | 5040-6928 |
| MP8 | 7120-1254 | 1 | 1 | NAMEPLATE .312-IN-WD .54-IN-LG AL | 28480 | 7120-1254 |
| MP9 | 08684-20117 | 0 | 1 | WINDOW (OPTION 002) | 28480 | 08684-20117 |
| MP10 | 08684-20092 | 0 | 1 | WINDOW (EXCEPT OPTION 002) | 28480 | 08684-20092 |
| MP11 | 1600-0692 | 1 | 3 | STAMPING-BE-CU CLIP WINDOW RETAINING | 28480 | 1600-0692 |
| MP12 | 5040-6888 | 5 | 5 | LIGHT PIPE (12MM) | 28480 | 5040-6888 |
| MP13 | 0890-0041 | 6 | 1 | TUBING-MS .11-O/.08-RCVD .016-WALL PVC | 00000 | ORDER BY DESCRIPTION |
| MP14 | 08684-00030 | 4 | 1 | LINE SWITCH BRACKET | 28480 | 08684-00030 |
| MP15 | 5041-1682 | 9 | 1 | KEY CAP-LINE SWITCH | 28480 | 5041-1682 |
| MP16 | 08684-00031 | 5 | 1 | BRACKET-RF CONNECTOR | 28480 | 08684-00031 |
| MP17 | 08684-20135 | 2 | 1 | SLEEVE-RF CONNECTOR MOUNTING | 28480 | 08684-20135 |
| MP18 | 1400-0082 | 8 | 2 | CLAMP-CABLE .125-DIA .375-WD NYL | 28480 | 1400-0082 |
| | 0515-0068 | 3 | 1 | SCREW-MACH #3.5 X 0.6 16MM-LG PAN-HD | 28480 | 0515-0068 |
| | 2190-0585 | 1 | 10 | WASHER-LX HLCL 3.5 MM 3.6-MM-ID | 28480 | 2190-0585 |
| | 3050-0892 | 8 | 14 | WASHER-FL MTLCL 3.5 MM 3.8-MM-ID | 28480 | 3050-0892 |
| MP19† | 08684-20140 | 8 | 1 | COLLAR LOCK | 28480 | 08684-20140 |
| MP20 | 1500-0004 | 7 | 1 | COUPLER-KGD .219-LG NYL | 28480 | 1500-0004 |
| MP21 | 1500-0006 | 9 | 2 | HUB-CPLR .189-LG BRS | 28480 | 1500-0006 |
| MP22 | 08684-00028 | 0 | 1 | BRACKET-10DB STEP RF LEVEL POT | 28480 | 08684-00028 |
| MP23 | 08684-20132 | 9 | 1 | GEAR-DRIVEN | 28480 | 08684-20132 |
| | 3030-0007 | 5 | 2 | SCREW-SET 4-40 .125-IN-LG SMALL CUP-PT | 00000 | ORDER BY DESCRIPTION |
| MP24 | 08684-20089 | 5 | 1 | PLATE-ATTENUATOR DRIVE (REAR) | 28480 | 08684-20089 |
| MP25 | 08684-20124 | 8 | 1 | GEAR-OUTPUT | 28480 | 08684-20124 |
| MP26 | 3050-0032 | 8 | 2 | WASHER-FL MTLCL NO. 8 .189-IN-ID | 28480 | 3050-0032 |
| MP27 | 08684-20123 | 8 | 1 | GEAR-IDLER | 28480 | 08684-20123 |
| MP28 | 08684-40003 | 5 | 1 | GEAR-DETENTED | 28480 | 08684-40003 |
| MP29 | 08684-20097 | 5 | 1 | SHAFT-RF LEVEL POT | 28480 | 08684-20097 |
| MP30† | 08684-20141 | 0 | 1 | BLOCK-SPRING CARRIER | 28480 | 08684-20141 |
| MP31 | 1480-1885 | 8 | 1 | SPRING-CPRSN .145-IN-OD .4-IN-OA-LG MMJ | 28480 | 1480-1885 |
| MP32 | 1410-0075 | 1 | 1 | BALL-BRG TYPE .1562-DIA GRADE-100 SST | 00000 | ORDER BY DESCRIPTION |
| MP33 | 08684-20088 | 4 | 1 | PLATE-ATTENUATOR DRIVE (FRONT) | 28480 | 08684-20088 |
| MP34 | 0380-0002 | 8 | 3 | SPACER-RND .25-IN-LG .156-IN-ID | 00000 | ORDER BY DESCRIPTION |
| MP35 | 08684-20134 | 1 | 1 | INSULATOR-FRONT PANEL P.C. BOARD | 28480 | 08684-20134 |
| MP36 | 08684-20131 | 8 | 1 | GEAR-DRIVING | 28480 | 08684-20131 |
| | 3030-0007 | 5 | 1 | SCREW-SET 4-40 .125-IN-LG SMALL CUP-PT | 00000 | ORDER BY DESCRIPTION |
| MP37 | 08684-00008 | 6 | 1 | BRACKET-RF LEVEL VERNIER POT | 28480 | 08684-00008 |
| MP38- MP40 | | | | NOT ASSIGNED | | |

See introduction to this section for ordering information
 *Indicates factory selected value
 †Backdating information in Section VII

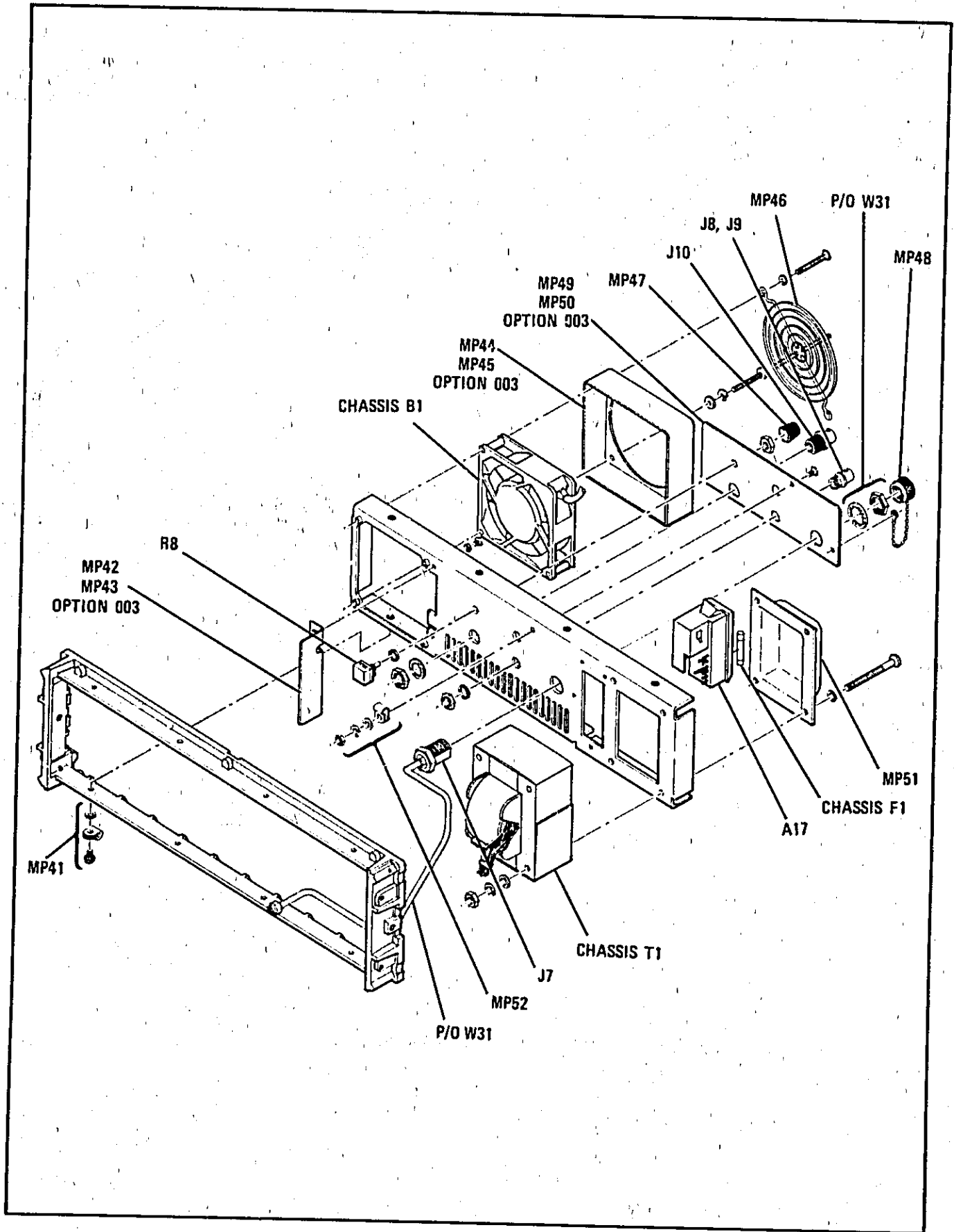


Figure 6-3. Rear Panel Illustrated Parts Breakdown

Table 6-3. Replaceable Parts

| Reference Designation | HP Part Number | C D | Qty | Description | Mfr Code | Mfr Part Number |
|-----------------------|----------------|-----|-----|---|----------|----------------------|
| REAR PANEL IPB | | | | | | |
| MP41 | 1400-0015 | 8 | 2 | CLAMP-CABLE .25-DIA .375-WD STL | 28480 | 1400-0015 |
| | 0515-0355 | 1 | 1 | SCREW-MACHINE ASSEMBLY M3.5 X 0.6 | 00000 | ORDER BY DESCRIPTION |
| | 3050-0088 | 6 | 1 | WASHER-FL MTL C NO. 2 .084-IN-ID | 28480 | 3050-0088 |
| MP42 | 08684-00032 | 6 | 1 | BRACKET-REAR PANEL(EXCEPT OPT.003) | 28480 | 08684-00032 |
| | 0515-0354 | 0 | 2 | SCREW-MACH M3.5 X 0.6 8MM-LG PAN-HD | 00000 | ORDER BY DESCRIPTION |
| MP43 | 08684-00039 | 3 | 1 | BRACKET-REAR PANEL (OPTION 003) | 28480 | 08684-00039 |
| MP44 | 0515-0354 | 0 | | SCREW-MACH M3.5 X 0.6 8MM-LG PAN-HD | 00000 | ORDER BY DESCRIPTION |
| | 4040-1891 | 9 | 1 | COVER-FAN 3.251-IN-WD 4.003-IN-LG ACRLC (EXCEPT OPT. 003) | 28480 | 4040-1891 |
| MP45 | 0515-0350 | 6 | 2 | SCREW-MACH M3.5 X 0.6 35MM-LG PAN-HD | 00000 | ORDER BY DESCRIPTION |
| | 2190-0585 | 1 | | WASHER-LK HLCL 3.5 MM 3.6-MM-ID | 28480 | 2190-0585 |
| | 3050-0892 | 8 | | WASHER-FL MTL C 3.5 MM 3.8-MM-ID | 28480 | 3050-0892 |
| MP46 | 4040-1892 | 0 | 1 | FAN COVER 3.251-IN-WD 4.003-IN-LG ACRLC (OPTION 003) | 28480 | 4040-1892 |
| | 0515-0351 | 7 | 4 | SCREW-MACH M3.5 X 0.6 48MM-LG PAN-HD | 00000 | ORDER BY DESCRIPTION |
| MP47 | 2190-0585 | 1 | | WASHER-LK HLCL 3.5 MM 3.6-MM-ID | 28480 | 2190-0585 |
| | 3160-0300 | 6 | 1 | GUARD-FAN | 28480 | 3160-0300 |
| MP48 | 0370-3105 | 7 | | KNOB-POINTER BLACK POINTER; 13 MM DIA 13 | 28480 | 0370-3105 |
| MP49 | 1250-0522 | 3 | 1 | CAP-COAX TO FIT F-N NON-SHTG 1.75-CH | 28480 | 1250-0522 |
| MP50 | 08684-00033 | 7 | 1 | PANEL-AUXILIARY(EXCEPT OPT.003) | 28480 | 08684-00033 |
| MP51 | 08684-00041 | 7 | 1 | PANEL-AUXILIARY (OPTION 003) | 28480 | 08684-00041 |
| | 08684-80005 | 1 | 1 | COVER-TRANSFORMER | 28480 | 08684-80005 |
| MP52 | 0515-0275 | 4 | 4 | SCREW-MACH M5 X 0.8 70MM-LG PAN-HD | 28480 | 0515-0275 |
| | 0535-0005 | 0 | 4 | NUT-HEX DBL-CHAM M5 X 0.8 5.3MM-THK | 00000 | ORDER BY DESCRIPTION |
| | 2190-0587 | 3 | 8 | WASHER-LK HLCL 5.0 MM 5.1-MM-ID | 28480 | 2190-0587 |
| | 3050-0894 | 0 | 4 | WASHER-FL MTL C 5.0 MM 5.4-MM-ID | 28480 | 3050-0894 |
| MP53 | 1400-0053 | 4 | 1 | CLAMP-CABLE .172-DIA .375-WD NYL | 28480 | 1400-0053 |
| | 0515-0067 | 2 | 1 | SCREW-MACH M3.5 X 0.6 10MM-LG PAN-HD | 28480 | 0515-0067 |
| | 0535-0007 | 2 | 3 | NUT-HEX DBL-CHAM M3.5 X 0.6 2.8MM-THK | 00000 | ORDER BY DESCRIPTION |
| | 3050-0892 | 8 | | WASHER-FL MTL C 3.5 MM 3.8-MM-ID | 28480 | 3050-0892 |
| | 2190-0018 | 5 | 1 | WASHER-LK HLCL NO. 6 .141-IN-ID | 28480 | 2190-0018 |
| MP54- MP60 | 5040-7221 | 2 | 4 | STANDOFF-REAR PANEL (OPTION 003) | 28480 | 5040-7221 |
| | 2360-0195 | 0 | 4 | SCREW-MACH 6-32 .312-IN-LG PAN-HD-POZI | 28480 | 2360-0195 |
| NOT ASSIGNED | | | | | | |

See introduction to this section for ordering information
 *Indicates factory selected value
 †Backdating information in Section VII

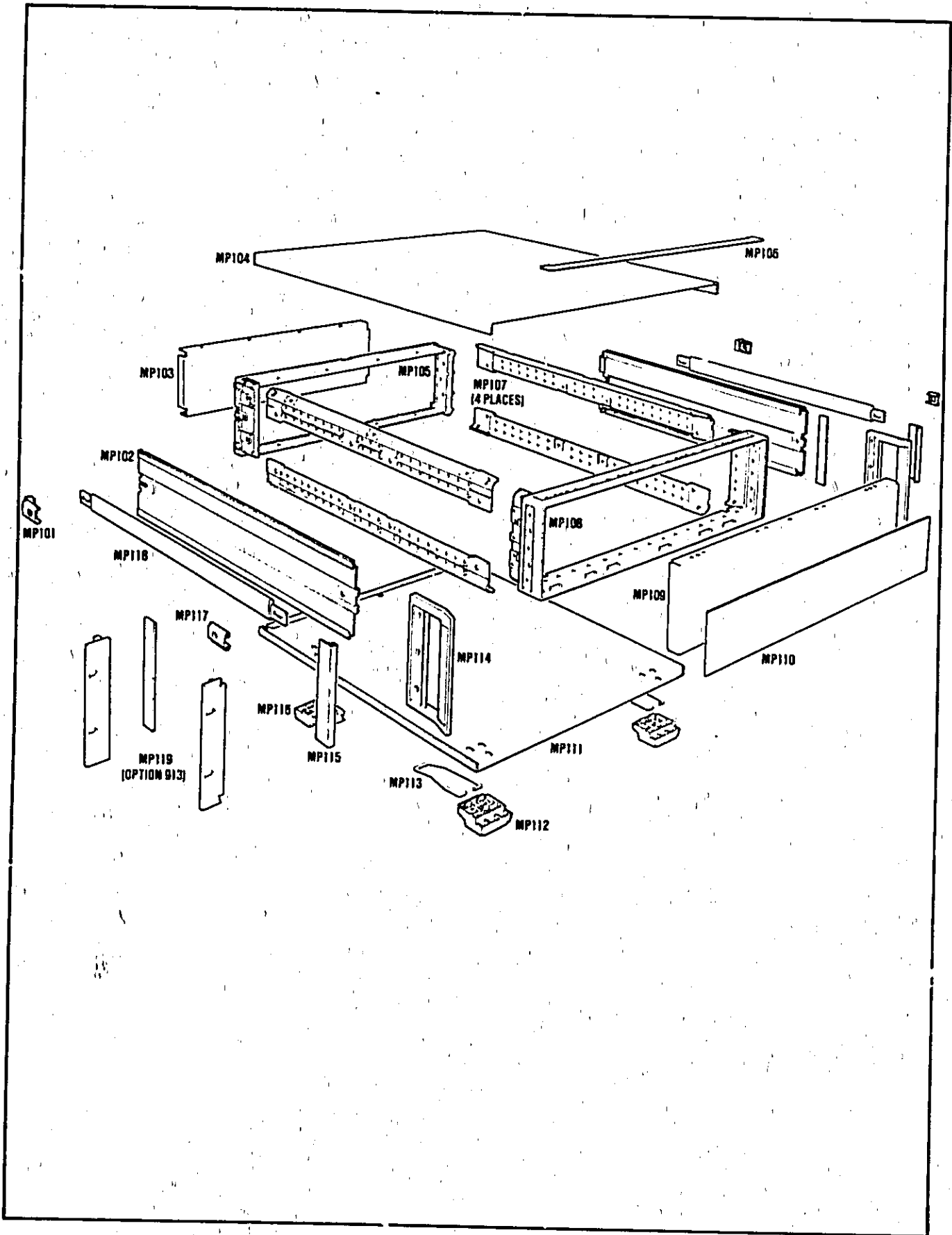


Figure 6-4. Cabinet Parts Illustrated Parts Breakdown

Table 6-3. Replaceable Parts

| Reference Designation | HP Part Number | C D | Qty | Description | Mfr Code | Mfr Part Number |
|-----------------------|----------------|-----|-----|--|----------|----------------------|
| CABINET PARTS | | | | | | |
| HP101 | 5040-7220 | 1 | 2 | HANDLE CAP-REAR | 28480 | 5040-7220 |
| HP102 | 5060-9936 | 2 | 2 | COVER-SIDE (PERFORATED) | 28480 | 5060-9936 |
| HP103 | 08684-00010 | 0 | 1 | PANEL-REAR (SUB) | 28480 | 08684-00010 |
| | 0515-0506 | 4 | 1 | SCREW-MACHINE ASSEMBLY #3.5 X 0.6 6MM-LG | 00000 | ORDER BY DESCRIPTION |
| HP104 | 5060-9834 | 9 | 1 | COVER-TOP | 28480 | 5060-9834 |
| HP105 | 5020-8804 | 7 | 1 | FRAME-REAR | 28480 | 5020-8804 |
| HP106 | 5040-7202 | 9 | 1 | TRIM STRIP (TOP) | 28480 | 5040-7202 |
| HP107 | 5020-8836 | 5 | 3 | STRUTS-CORNER | 28480 | 5020-8836 |
| | 2510-0192 | 5 | 4 | SCREW-MACH 8-32 .25-IN-LG 100 DEG | 00000 | ORDER BY DESCRIPTION |
| HP108 | 5020-8803 | 5 | 1 | FRAME-FRONT | 28480 | 5020-8803 |
| HP109 | 08684-00004 | 2 | 1 | PANEL-FRONT (SUB) | 28480 | 08684-00004 |
| HP110 | 08684-00003 | 1 | 1 | PANEL-FRONT DRESS | 28480 | 08684-00003 |
| HP111 | 5060-9846 | 3 | 1 | COVER-BOTTOM | 28480 | 5060-9846 |
| HP112 | 5040-7201 | 8 | 2 | FOOT-FULL 1/2 MODULE | 28480 | 5040-7201 |
| HP113 | 1460-1345 | 5 | 2 | TYLT STAND SST | 28480 | 1460-1345 |
| HP114 | 5060-9899 | 5 | 2 | HANDLE-FRONT | 28480 | 5060-9899 |
| HP115 | 5020-8896 | 7 | 2 | TRIM-FRONT HANDLE | 28480 | 5020-8896 |
| HP116 | 5040-7222 | 3 | 2 | FOOT-REAR (NON-SKID) | 28480 | 5040-7222 |
| HP117 | 5040-7219 | 8 | 2 | HANDLE CAP (FRONT) | 28480 | 5040-7219 |
| HP118 | 5060-9803 | 2 | 2 | HANDLE-STRAP | 28480 | 5060-9803 |
| HP119 | 5061-2071 | 4 | 1 | RACK FLANGE KIT (OPTION 913) | 28480 | 5061-2071 |
| HP120 | | | | NOT ASSIGNED | | |

See introduction to this section for ordering information
 *Indicates factory selected value
 †Backdating information in Section VII

Table 6-4. Code List of Manufacturers

| Mfr Code | Manufacturer Name | Address | Zip Code |
|----------|-------------------------------------|------------------|----------|
| 00000 | ANY SATISFACTORY SUPPLIER | | |
| 01121 | ALLEN-BRADLEY CO | MILWAUKEE WI | 53204 |
| 01295 | TEXAS INSTR INC SEMICONO CMPNT DIV | DALLAS TX | 75222 |
| 02111 | SPECTROL ELECTRONICS CORP | CITY OF IND CA | 91745 |
| 02114 | FERROXCUBE CORP | SAUGERTIES NY | 12477 |
| 02768 | ILLINOIS TOOL WORKS INC FASTEX DIV | DES PLAINES IL | 60016 |
| 03508 | GE CO SEMICONDUCTOR PROD DEPT | AUBURN NY | 13201 |
| 03888 | K D I PYROFILM CORP | WHIPPANY NJ | 07881 |
| 04713 | MOTOROLA SEMICONDUCTOR PRODUCTS | PHOENIX AZ | 85008 |
| 05820 | WAKEFIELD ENGINEERING INC | WAKEFIELD MA | 01880 |
| 08383 | PANDUIT CORP | TINLEY PARK IL | 60477 |
| 06665 | PRECISION MONOLITHICS INC | SANTA CLARA CA | 95050 |
| 07283 | FAIRCHILD SEMICONDUCTOR DIV | MOUNTAIN VIEW CA | 94042 |
| 13201 | HELICAL PRODUCTS CO | SANTA MARIA CA | 90254 |
| 18324 | SIGNETICS CORP | SUNNYVALE CA | 94086 |
| 19701 | MEPCO/ELECTRA CORP | MINERAL WELLS TX | 76067 |
| 24046 | TRANSITRON ELECTRONIC CORP | WAKEFIELD MA | 01880 |
| 24355 | ANALOG DEVICES INC | NORWOOD MA | 02062 |
| 24546 | CORNING GLASS WORKS (BRADFORD) | BRADFORD PA | 16701 |
| 25088 | SIEMENS CORP | ISELIN NJ | 08830 |
| 27014 | NATIONAL SEMICONDUCTOR CORP | SANTA CLARA CA | 95051 |
| 28480 | HEWLETT-PACKARD CO CORPORATE HQ | PALO ALTO CA | 94304 |
| 31595 | RCA CORP SOLID STATE DIV | SOMERVILLE NJ | |
| 30883 | MEPCO/ELECTRA CORP | SAN DIEGO CA | 92121 |
| 32997 | BOURNS INC TRIMPOT PROD DIV | RIVERSIDE CA | 92507 |
| 34371 | HARRIS SEMICON DIV HARRIS-INTERTYPE | MELBOURNE FL | 32901 |
| 52063 | EXAR INTEGRATED SYSTEMS INC | SUNNYVALE CA | 94086 |
| 52763 | STEITNER ELECTRONICS INC | CHATTANOOGA TN | 13035 |
| 56288 | SPRAGUE ELECTRIC CO | NORTH ADAMS MA | 01247 |
| 71041 | BOSTON GEAR WKS DIV OF NA ROCKWELL | QUINCY MA | 02171 |
| 72136 | ELECTRO MOTIVE CORP | FLORENCE SC | 06226 |
| 73138 | BECKMAN INSTRUMENTS INC HELIPOT DIV | FULLERTON CA | 92634 |
| 75042 | TRW INC PHILADELPHIA DIV | PHILADELPHIA PA | 19108 |
| 75915 | LITTELFUSE INC | DES PLAINES IL | 60016 |

BACK DATING MANUAL CHANGES

SECTION VII MANUAL CHANGES

7-1. INTRODUCTION

This section contains information for adapting this manual to instruments for which the content does not apply directly. In addition, information about recommended modifications for improvements to the instrument is provided.

7-2. MANUAL CHANGES

To adapt this manual to your instrument, refer to Table 7-1 and make all of the manual changes listed opposite your instrument's serial number prefix. Perform these changes in the sequence listed.

If your instrument is not listed on the title page of this manual or in Table 7-1, it may be documented in a yellow MANUAL CHANGES supplement. For additional information about serial number coverage, refer to INSTRUMENTS COVERED BY THIS MANUAL in Section I.

Table 7-1. Manual Changes by Serial Number

| Serial Prefix or Number | Make Manual Changes |
|-------------------------|-----------------------|
| 2138A | K,J,I,H,G,F,E,D,C,B,A |
| 2139A | K,J,I,H,G,F,E,D,C,B |
| 2144A | K,J,I,H,G,F,E,D,C |
| 2152A | K,J,I,H,G,F,E,D |
| 2201A | K,J,I,H,G,F,E |
| 2239A | K,J,I,H,G,F |
| 2321A | K,J,I,H,G |
| 2332A | K,J,I,H |
| 2401A | K,J,I |
| 2402A | K |
| 2403A | K,I |

MANUAL CHANGES

7-3. MANUAL CHANGE INSTRUCTIONS

CHANGE A

Table 6-3:

Change A5C31 to 0150-0059, CD8, CAPACITOR-FXD 3.3pF ±0.25pF 500VDC CER, Mfr Code 04222, Mfr Part Number CN1-NPO-3.3pF ±0.25pF.

Service Sheet 7 (Schematic):

Change A5C31 to 3.3pF.

CHANGE B

Table 6-3:

Change A11VR1 to 1902-3345, CD7 DIODE-ZNR 51.1V 5% DO-35 PD=0.4W.

Service Sheet 13 (Schematic):

Change the schematic as shown in Figure 7-1.

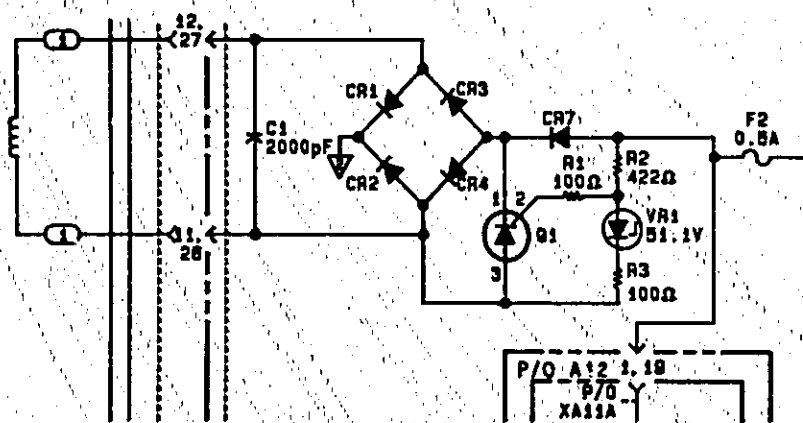


Figure 7-1. P/O Power Supply (Negative Regulator) Schematic Diagram (Change A)

MANUAL CHANGES

CHANGE C**Paragraph 3-6, AM MODE OPERATION:**

Change step d. to "If the CABLE OFFSET feature is to be used, press and hold the CABLE OFFSET key (14) to display the CABLE OFFSET setting on the LEVEL display (16). If necessary, use rear-panel CABLE OFFSET control to establish correct setting."

Table 6-3:

A9U8, originally 08684-80001, CD7, EPROM 8K, was changed to 08684-80006, CD2, ROM 8K. However, the part currently listed in Table 6-3 is the recommended replacement. Therefore, no manual change is suggested.

Section VIII, POWER-UP DIAGNOSTICS:

Change the third, fourth, and fifth sentences in the second paragraph to "To stop the action at each error, just press the EXT AM key. If the displays don't power-up correctly and the "LEVEL" decimal point blinks quickly, press the EXT AM key, ... quickly release... quickly press... etc. to slow down the blinks to count them."

CHANGE D**Table 6-1:**

Change A14 Part Number for new assembly to 08684-67007.

Table 6-3:

Change A10R19 to 2100-0670, CD6, RESISTOR-TRMR 10K 10% C SIDE-ADJ 17-TURN Mfr Code 32997, Mfr Part Number 3292X-1-103.

Change A14 to 08684-67007, CD5, same description.

Change W30 to 08684-20070, CD4, same description.

Change W31 to 08684-20071, CD5, same description.

Service Sheet BD2 (Schematic):

Change the part number for the A14 Oscillator to 08684-67007.

Service Sheet 12 (Schematic):

Change the value of A10R19 to 10K Ω .

CHANGE E**Table 6-3:**

A5U2 was originally 1826-0371, CD1 IC OP AMP LOW BIAS-H-IMPED TO-99 PKG. However, the part currently listed in Table 6-3 is the recommended replacement. Therefore, no manual change is suggested.

A9U8 originally 08684-80001, CD7, EPROM 8K, was changed to 08684-80006, CD2, ROM 8K. However, the part currently listed in Table 6-3 is the recommended replacement. Therefore, no manual change is suggested.

A11Q7 and Q15 were originally 1853-0314, CD9, TRANSISTOR PNP 2N2905A SI TO-39 PD=600MW. However, the parts currently listed in Table 6-3 are the recommended replacements. Therefore, no manual changes are suggested.

A11Q19 was originally 1854-0039, CD7, TRANSISTOR NPN 2N3053S SI TO-39 PD=1W. However, the part currently listed in Table 6-3 is the recommended replacement. Therefore, no manual change is suggested.

MANUAL CHANGES

CHANGE E (cont'd)

Change MP19 to 0510-0052, CD5, RETAINER-RING GRPR EXT 0.125-IN-DIA STL.

Service Sheet 7 (Schematic):

A5U2 was originally 1826-0371. However, the part currently listed in the table of transistor and integrated circuit parts is the recommended replacement. Therefore, no manual change is suggested.

Service Sheet 13 (Schematic):

A11Q7 and A11Q15 were originally 1853-0314. However, the parts currently listed the table of transistor and integrated circuit part numbers are the recommended replacements. Therefore, no manual changes are suggested.

Service Sheet 14 (Schematic):


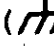
A11Q19 was originally 1854-0039. However, the part currently listed in the table of transistor and integrated circuit part numbers is the recommended replacement. Therefore, no manual change is suggested.

CHANGE F

Table 6-3:

Change MP30 to 08684-20079, CD3, BLOCK-SPRING CARRIER.

Service Sheet 13 (Schematic):

Delete the green/yellow () wire from both of the B1 Fan Motor frames to chassis () ground.

CHANGE G

Table 6-3:

Change A2C23 to 0160-3879, CD7, CAPACITOR-FXD 0.01UF $\pm 20\%$ 100VDC CER.

Change A10R17 and R18 to 0757-0401 CD0 RESISTOR 100 1% .125W F TC=0 \pm 100, Mfr Code 24546, Mfr Part Number C4-1/8-TO-101-F.

Service Sheet 4 (Schematic):

Change the value of A2C23 to 0.01 μ F.

Service Sheet 12 (Schematic):

Change the value of R17 and R18 to 100 Ω .

CHANGE H

Table 1-1:

Under GENERAL MODULATION SPECIFICATIONS, add, Simultaneous AM/Pulse and AM/FM/Pulse.

In Footnote 2, delete the portion that reads, "for pulse modulation OFF and".

Table 1-2:

Delete the SIMULTANEOUS MODULATION heading and the text that refers to it.

Table 6-3:

Delete A11R81.

Service Sheet 13 (Schematic):

Delete R81 and connect ground () to pin 28 of edge connector A.

MANUAL CHANGES**CHANGE I**

Table 6-3:

Change A11Q1, Q2, Q3, Q8, Q9, and Q20 to 1884-0012 CD9 THYRISTOR-SCR 2N3528 TO-8 VRRM=200, Mfr Code 3L585, Mfr Part Number 2N3528.

Change A11R5 to 0757-0443 CD0 RESISTOR 11K 1% .125W F TC=0±100, Mfr Code 24546, Mfr Part Number C4-1/8-TO-1102-F.

Change A11R25 to 2100-3749 CD6 RESISTOR-TRMR 5K 10% C SIDE-ADJ 17-TRN.

Service Sheet 13 (Schematic):

Change, in the table of transistor and integrated circuit part numbers, A11Q1, Q2, and Q8 to 1884-0012.

Change the value of A11R5 to 11kΩ.

Change the value of A11R25 to 5000Ω.

Service Sheet 14 (Schematic):

Change, in the table of transistor and integrated circuit part numbers, A11Q3, Q9, and Q20 to 1884-0012.

CHANGE J

Table 6-3:

Delete A7C45.

Service Sheet 9 (Schematic):

Delete capacitor C45 that exists on the line between R39 and pins 22,23 of the printed circuit board edge connector and ground.

CHANGE K

Table 1-1:

Change the Performance Limits for Operating and Non-operating Environment to, "Temperature, humidity, shock, and vibration Type Tested to MIL-T-28800B Class IV Requirements."

Paragraph 2-8, Operating Environment:

Change Humidity from "40°C at <95% relative" to "<95% relative".

Paragraph 2-12, Environment:

Change Humidity from "40°C at <95% relative" to "<95% relative".

Table 6-3:

Change A12Q3 to 1854-0311 CD8 TRANSISTOR NPN 2N4240 SI TO-66 PD=35W, Mfr Code 3L585, Mfr Part Number 2N4240.

Service Sheet 13 (Schematic):

Change, in the table of transistor and integrated circuit part numbers, A12Q3 to 1854-0311.

SERVICE INFORMATION

SECTION VIII SERVICE

8-1. INTRODUCTION

This section contains information required for troubleshooting and repairing the Signal Generator. It includes block diagrams, schematic diagrams, principles of operation, troubleshooting procedures, and repair procedures.

8-2. SERVICE SHEETS

The foldout pages in the last part of this section are the service sheets (SS). They contain block diagrams, schematic diagrams, supplemental diagrams, and associated information.

8-3. Block Diagrams

The block diagrams and related service information are found on Service Sheets BD1 and BD2. BD1 is an overall block diagram that shows the major functional sections of the Signal Generator. It serves as an index to the more detailed information on the succeeding Service Sheets, and is the starting point for most troubleshooting procedures. BD2 shows the microwave chain with the cabling and connections to the microcircuit interface.

8-4. Schematic Diagrams

The schematic diagrams and their associated information are presented in Service Sheets 1 through 14. These diagrams, in functional groupings, are designed to aid in understanding the principles of operation and to aid in troubleshooting the Signal Generator.

8-5. SAFETY CONSIDERATIONS

8-6. Before Applying Power

Verify that the instrument is properly set to operate from the available line voltage and that the correct fuse is installed. An uninterrupted safety earth ground must be provided from the main power source to the instrument input wiring terminals, power cord, or supplied power cord set.

8-7. Warnings and Cautions

Pay attention to the **WARNINGS** and **CAUTIONS**. They must be followed for your protection and to avoid damage to the equipment.

WARNINGS

Maintenance described herein must be performed with power supplied to the instrument and with protective covers removed. Such maintenance should be performed only by service trained personnel who are aware of the hazards involved (for example, fire and electrical shock). Where maintenance can be performed without power applied, the power should be removed.

Any interruption of the protective (grounding) conductor (inside or outside of the instrument) or disconnection of the protective earth terminal will create a potential shock hazard and could result in personal injury. Grounding one conductor of a two-conductor outlet is not sufficient. Whenever it is likely that the protection has been impaired, the instrument must be made inoperative (i.e., secured against unintended operation).

If this instrument is to be energized via an auto-transformer (for voltage reduction) make sure the common terminal is connected to neutral (that is, the grounded side of the mains supply).

Capacitors inside the instrument may still be charged even if the instrument is disconnected from the power source.

Make sure that only 250 volt normal-blow fuses with the specified current rating are used for replacement. Do not use repaired fuses or short-circuited fuseholders. To do so could create a shock or fire hazard.

CAUTIONS

*Some printed circuit boards contain devices that may be damaged if the board is removed or installed while the power is on. Verify that the **LINE** switch is **OFF** or that the power cord is unplugged before you remove or install a printed circuit board.*

After removing MOS devices from sockets, store the devices with the pins in conductive foam. This will prevent accidental damage from a static discharge. Refer to the notes on each schematic diagram to identify the MOS devices.

3-8. RECOMMENDED TEST EQUIPMENT AND ACCESSORIES

Test equipment and test accessories required to maintain the Signal Generator are listed in Table 1-3, Recommended Test Equipment. Equipment other than that listed may be used if it meets the critical specifications listed.

8-9. SERVICE TOOLS, AIDS AND INFORMATION

8-10. Service Tools

Equipment recommended for use when changing components on printed circuit boards is listed in Table 8-1. The following unique service tools will make servicing of this instrument much easier.

Pozidriv Screwdrivers. Many screws in the Signal Generator appear to be Phillips type, but they

are not. To avoid damage to the screw heads, Pozidriv screwdrivers should be used. The Pozidriv No. 1 size can be ordered as Hewlett-Packard part number 5710-0899, and the Pozidriv No. 2 size can be ordered as HP part number 8710-0900.

Tuning Tools. For adjustments requiring non-metallic tuning tools, use the blade tuning tool HP part number 8710-0033 or hex tuning tool (JFD Model No. 5284) HP part number 8710-1010. For other adjustments, an ordinary small screwdriver is sufficient. No matter which tool is used, never force any adjustment control against its stops. This is especially critical when adjusting variable inductors or capacitors.

Heat Staking Tool. The front-panel pushbutton switches have small plastic pins that protrude

Table 8-1. Etched Circuit Soldering Equipment

| Item | Use | Specification | Item Recommended | HP Part No. |
|----------------------|---|---|--|-------------|
| Soldering Tool | Soldering, Heat Staking | Wattage: 35W Tip Temp.: 390—440°C (735—825°F) | Ungar No. 135 Ungar Division Eldon Ind. Corp. Compton, CA 90220 | 8690-0167 |
| Soldering Tip | Soldering, Unsoldering | *Shape: Chisel | *Ungar PL113 | 8690-0007 |
| Soldering Tip | Heat Staking | Shape: Cupped | HP 5020-8160 or modified Ungar PL11 | 5020-8160 |
| De-Solder Aid | To remove molten solder from connection | Suction Device | Soldapullit by Edsyn Co., Van Nuys, CA 91406 | 8690-0060 |
| Rosin (flux) Solvent | To remove excess flux from soldered area before application of protective coating | Must not dissolve etched circuit base board. | Freon TF | 8500-0232 |
| Solder | Component replacement; Circuit Board repair wiring | Rosin (flux core, high tin content (63/37 tin/lead), 18 gauge (SWG) 0.048 in. diameter preferred. | | 8090-0607 |

*For working on circuit boards; for general purpose work, use No. 555 Handle (8690-0261) and No. 4037 Heating Unit 47½ — 56½ W (HP 8690-0006); tip temperature of 850 — 900°F; and Ungar No. PL113 ¼" chisel tip.

Service Tools (cont'd)

through the printed circuit board, and the pins are then flattened with a heated tool that softens the plastic. The heat staking tool is a standard soldering iron with a special tip attached.

⚠ 8-11. Hardware

The Signal Generator has a mixture of Unified National (inch) and metric screws. The metric screws are defined by Industrial Fasteners publication (IFI 500) and are identified in the replaceable parts list as metric. Unified National screws have a dull gray appearance and the metric screws have a shiny silver appearance. Do not use a metric screw in a Unified National nut, thread damage will result.

8-12. Assembly, Component and Cable Locations

Printed circuit board assemblies are numbered sequentially from front to back. For example, A1 is part of the front panel assembly. The locations of individual components on the printed circuit boards and other assemblies are shown on the appropriate Service Sheet. The complete reference designator consists of the assembly designator plus the part designator. For example, A6R9 is resistor R9 on the A6 assembly. For specific component descriptions and ordering information, refer to Table 6-3, Replaceable Parts. Chassis, frame, and other mechanical parts are identified in Figures 6-1 through 6-4.

Major mechanical parts have reference designators that begin with the letters MP. Other mechanical parts such as screws, washers and nuts are listed in the replaceable parts list immediately below the part to which they fasten. To find the part number and description of a mechanical part, find the part in one of the figures in Section VI or Section VIII. The part in the figure will be labeled with its reference designator. Look up the reference designator in the Table of Replaceable Parts. If the part is fastening hardware such as a screw, washer or nut, determine the reference designator of the associated part. The fastening hardware items will be listed immediately below the associated part.

8-13. Test Point and Adjustment Locations

Most test points and adjustments are indicated on individual circuit board assemblies. Test points

and adjustments can also be found on the component locator diagrams shown on the appropriate Service Sheet.

8-14. Service Aids on Printed Circuit Boards

The service aids on the printed circuit boards include test points, indicator LEDs, reference designators, adjustment names, and assembly part numbers.

8-15. Other Service Documents

Service Notes, Manual Changes Supplements, Application Notes, and other service literature are available through Hewlett-Packard. For further information, contact your nearest Hewlett-Packard office.

8-16. Post-Service Product Safety Checks

Visually inspect interior of instrument for any signs of abnormal internally generated heat, such as discolored printed circuit boards or components, damaged insulation, or evidence of arcing. Determine and remedy cause of any such condition.

Using a suitable ohmmeter, check resistance from instrument enclosure to ground pin on power cable plug. The reading must be less than one ohm. Flex the power cable while making this measurement to determine whether intermittent discontinuities exist.

Check any indicated front or rear panel ground terminals, using the above procedure.

Check resistance from instrument enclosure to the line and neutral (tied together) with the power switch on and the power source disconnected. The minimum acceptable resistance is two megohms. Replace any component which results in a failure.

8-17. Etched Circuits (Printed Circuit Boards)

The etched circuit boards in the Signal Generator have plated-through holes which make a solderable path through to both sides of the insulating material. Soldering can be done from either side of the board with equally good results. When soldering to any circuit board, keep in mind the following recommendations.

1. Avoid unnecessary component substitution. Substitution can result in damage to the circuit board and/or adjacent components.

Etched Circuits (Printed Circuit Boards) (cont'd)

2. Do not use a high-power soldering iron on etched circuit boards. Excessive heat may lift a conductor or damage the board.
3. Use a suction device or wooden toothpick to remove solder from component mounting holes. **DO NOT USE A SHARP METAL OBJECT SUCH AS AN AWL OR TWIST DRILL FOR THIS PURPOSE. SHARP OBJECTS MAY DAMAGE THE PLATED-THROUGH CONDUCTOR.**

8-18. MOS and CMOS Integrated Circuit Replacement

MOS and CMOS integrated circuits are used in this instrument. They are prone to damage from both static and transients and must be handled carefully. When working on the Signal Generator, keep in mind the following recommendations to avoid damaging these sensitive components.

1. Do not remove any board unless the Signal Generator has been turned off or unplugged.
2. When removing a socketed MOS or CMOS device from an assembly, be careful not to damage it. High-grip sockets are used throughout the instrument. Avoid removing devices from these sockets with pullers. Instead, use a small screwdriver to pry the device up from one end, slowly pulling it up one row of pins at a time.
3. Once a MOS or CMOS device has been removed from an assembly, immediately stick it into a pad of conductive foam or other suitable holding medium.
4. When replacing a MOS or CMOS device, ground the foam on which it resides to the instrument before removing it. If a device requires soldering, make sure that the assembly is lying on a sheet of conductive foam, and that the foam and soldering iron tip are grounded to the assembly. Apply as little heat as possible.
5. Before turning the instrument off, remove any large ac sources which may be driving MOS switches.

8-19. LOGIC SYMBOLOGY

The logic symbols used in this manual are based on the American National Standard Institute (ANSI) Y32.14-1973, "Graphic Symbols for Logic

Diagrams (Two State Devices)". A summary of this symbology is provided here and in Table 8-3, Schematic Diagram Notes, to aid in interpreting these symbols.

8-20. Qualifiers

Qualifiers are that portion of a device symbol that denotes the logic function. For example, "&" denotes the AND function. See Figure 8-1 for a summary of the basic logic symbols and their qualifiers.

Power supply and ground connections are not shown on the symbols. This information is tabulated on the right margins of the service sheets.

8-21. Indicator Symbols

Indicator symbols identify the active state of a device's input or output, as shown in Figure 8-2.

8-22. Contiguous Blocks

Two symbols may share a common boundary parallel or perpendicular to the direction of signal flow. Note that in the examples shown in Figure 8-3, there is generally no logic connection across horizontal lines, but there is always an implied logic connection across a vertical line. Notable exceptions to this rule are the horizontal lines beneath control blocks and between sections of shift registers and counters (dividers).

8-23. Dependency Notation

Dependency Notation simplifies symbols for complex integrated circuit elements by defining the interdependencies of inputs or outputs without actually showing all the elements and interconnections involved (see Figures 8-4 through 8-6). The following examples use the letter A for address, C for control, G for AND, V for OR, and F for free dependencies. The dependent input or output is labeled with a number that is either prefixed (e.g. 1X) or subscripted (e.g., X₁). They both mean the same thing. Note that many times a controlled line may already be labeled with a number that indicates input or output weighting (for example, in a coder). In this case, the controlling or gating input will be labeled with a letter (see Figure 8-6).

8-24. Common Control Block

The control block is used in conjunction with an array of related symbols in order to group common logic lines. Figure 8-7 shows how the control block is usually represented. Figure 8-8 shows a quad

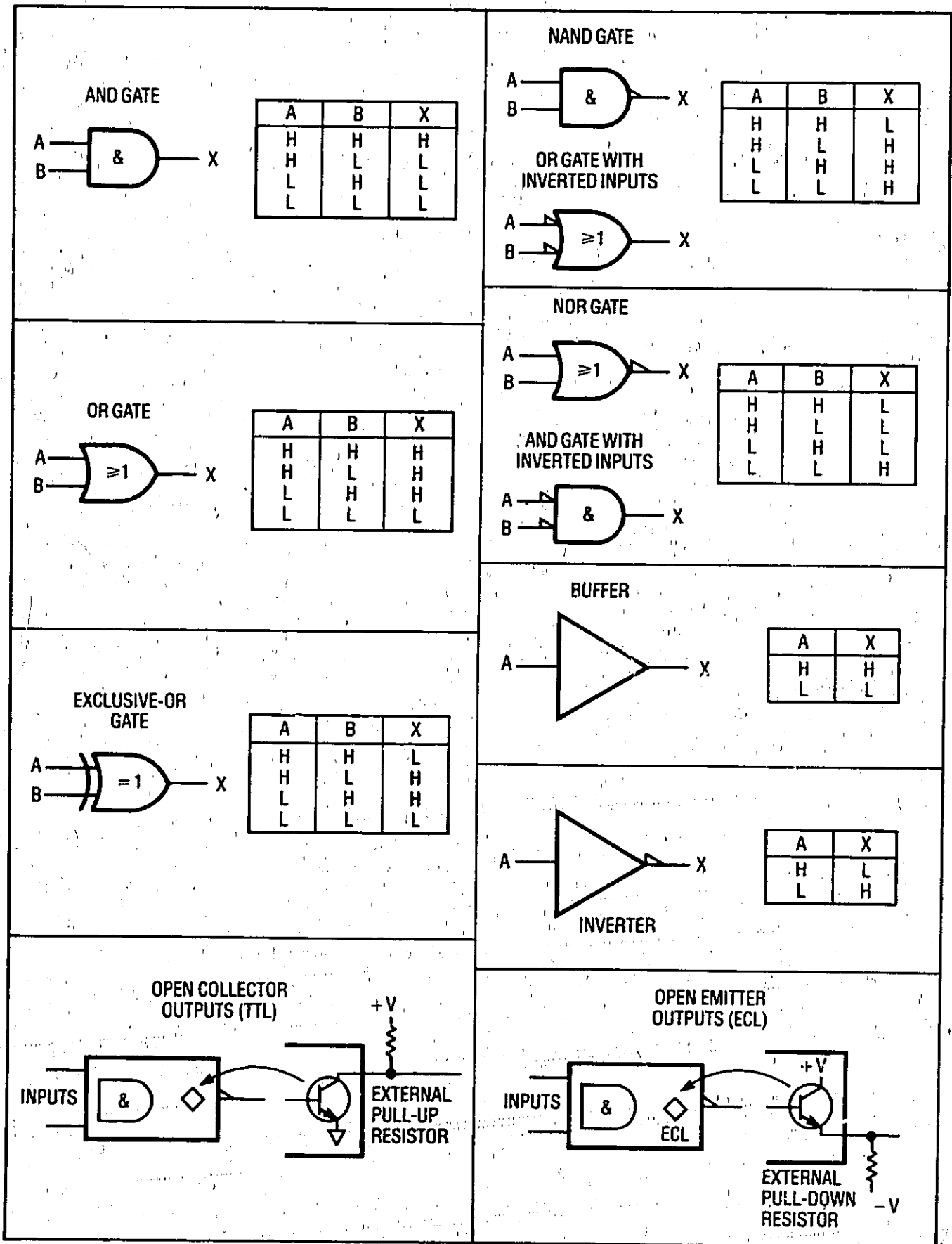


Figure 8-1. Basic Logic Symbols and Qualifiers

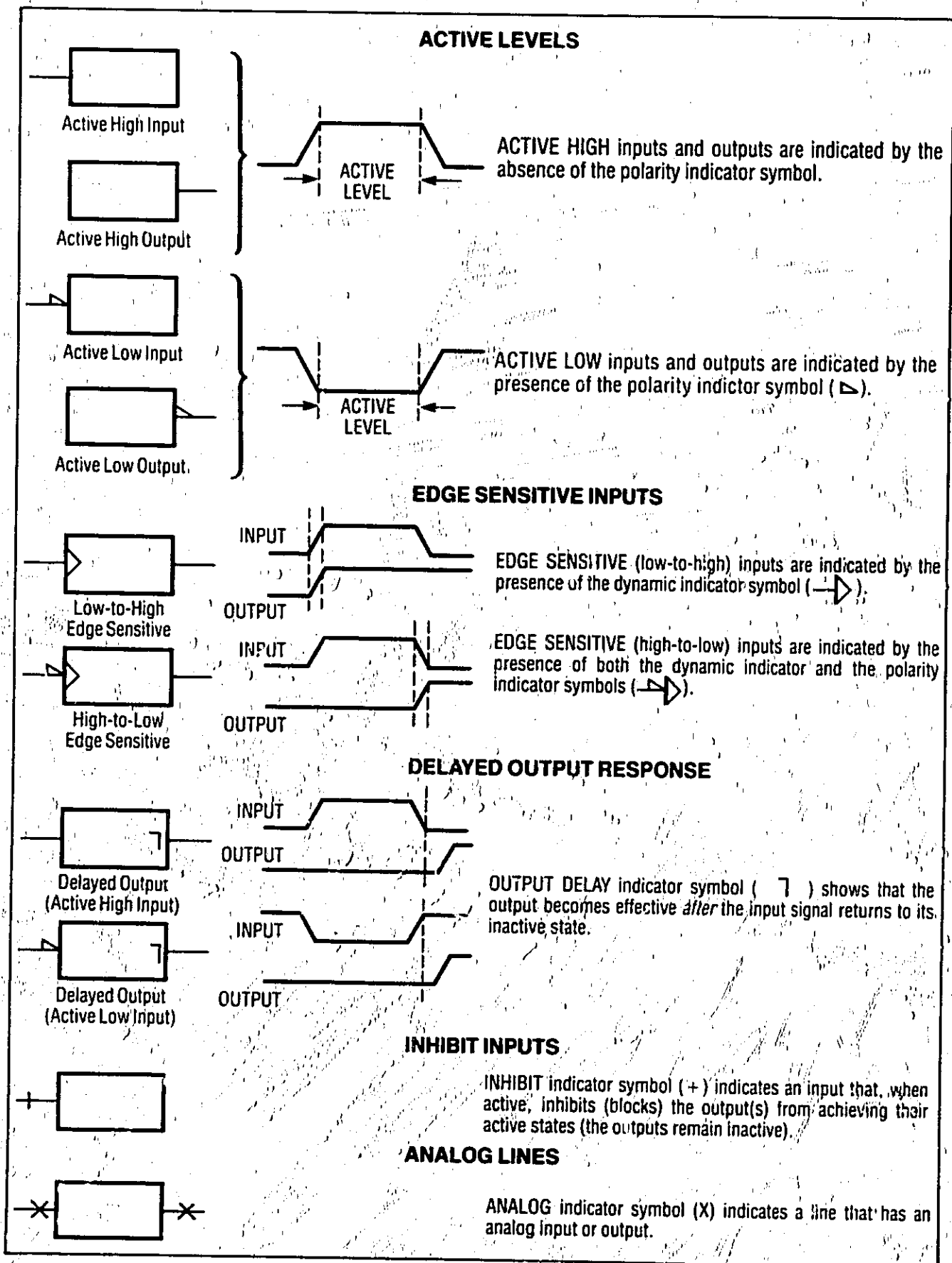


Figure 8-2. Indicator Symbols

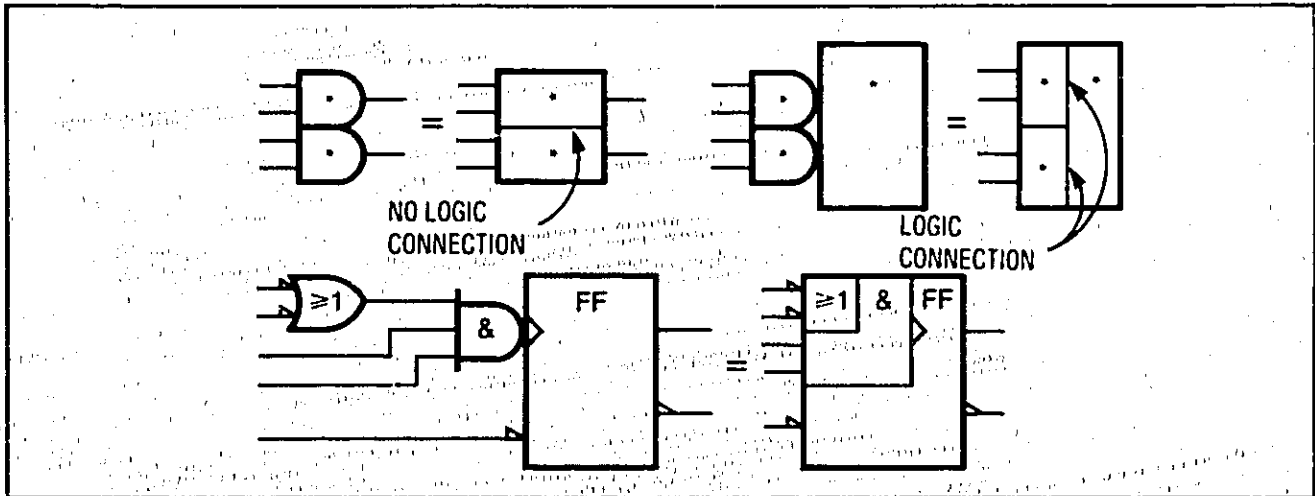


Figure 8-3. Contiguous Blocks

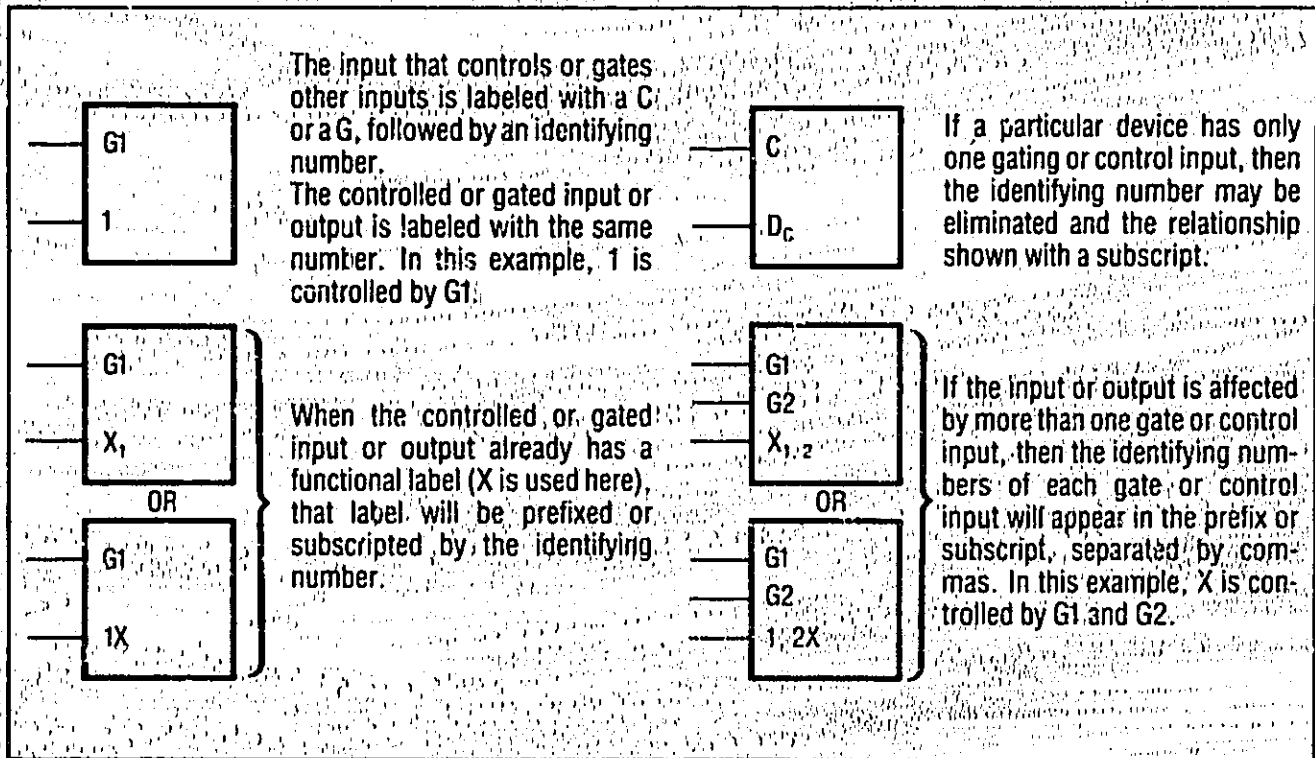


Figure 8-4. AND Dependency Notation

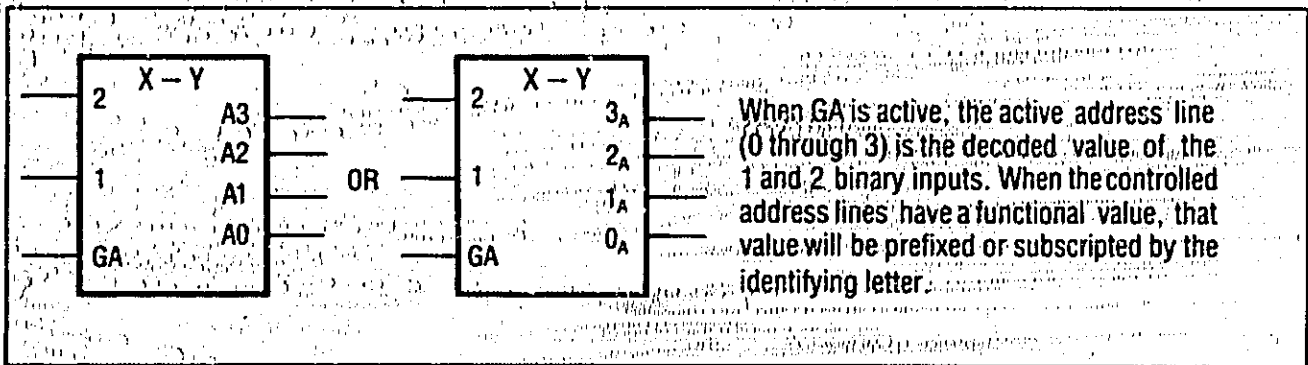


Figure 8-5. Address Dependency Notation: Coder Example Using Alpha Characters (Letters)

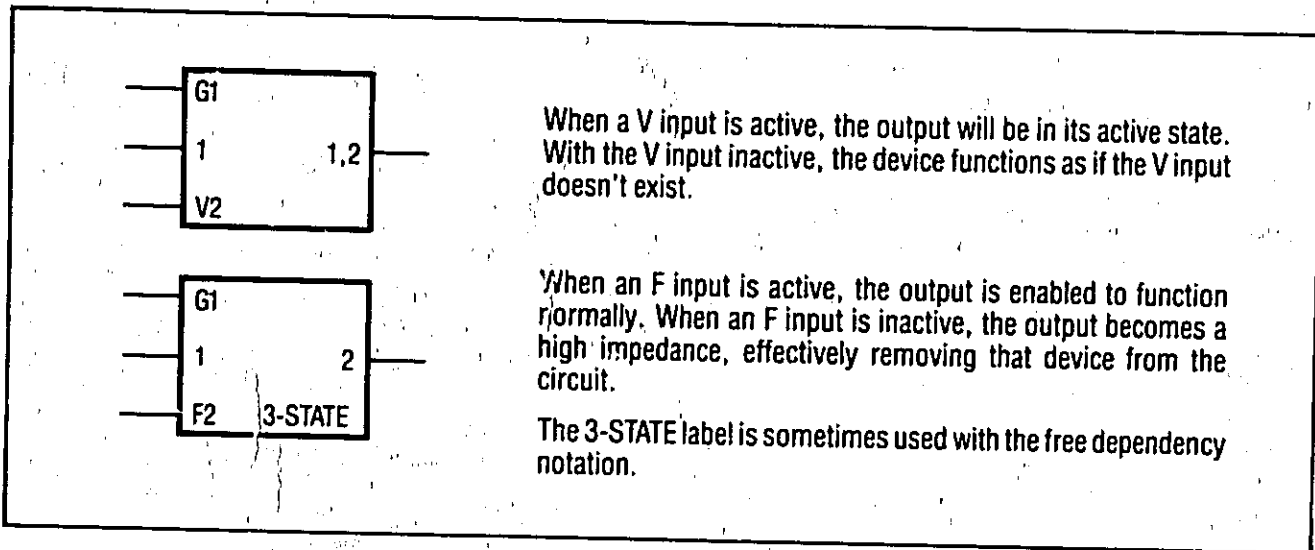


Figure 8-6. OR and Free Dependency Notation

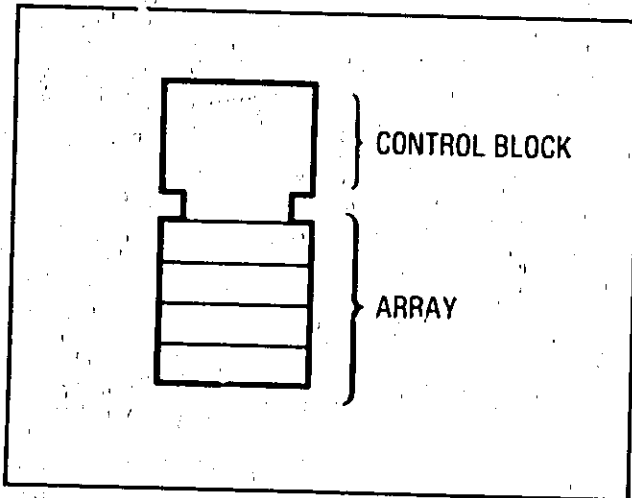


Figure 8-7. Common Control Block

Common Control Block (cont'd)

D-type flip flop with reset. This can be redrawn as shown in Figure 8-9. Note that the more complex representation shown in Figure 8-8 can be used when the flip flops are functionally scattered around the schematic (i.e., not used as a quad unit).

8-25. LINEAR DEVICE THEORY

8-26. Operational Amplifiers

The source of gain in an operational amplifier can be characterized as an ideal, differential voltage amplifier having low output impedance, high input impedance, and very high differential gain. The output of an operational amplifier is proportional to the difference in the voltages applied to

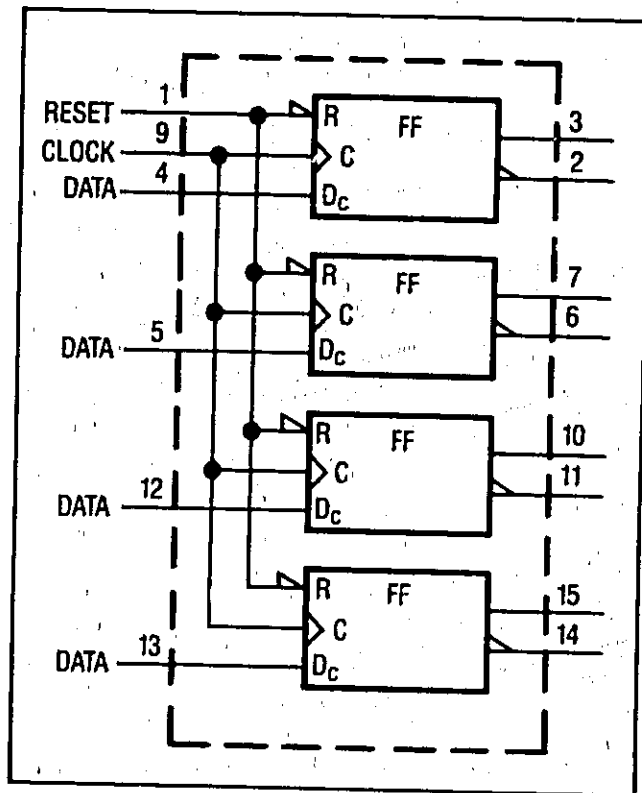


Figure 8-8. Quad D-Type Latch (Individual)

the two input terminals. In use, the amplifier output drives the input voltage difference close to zero through a feedback path.

When troubleshooting an operational amplifier circuit, measure the voltages at the two inputs; the difference between these voltages should be less than 10 mV. (Note: this troubleshooting procedure

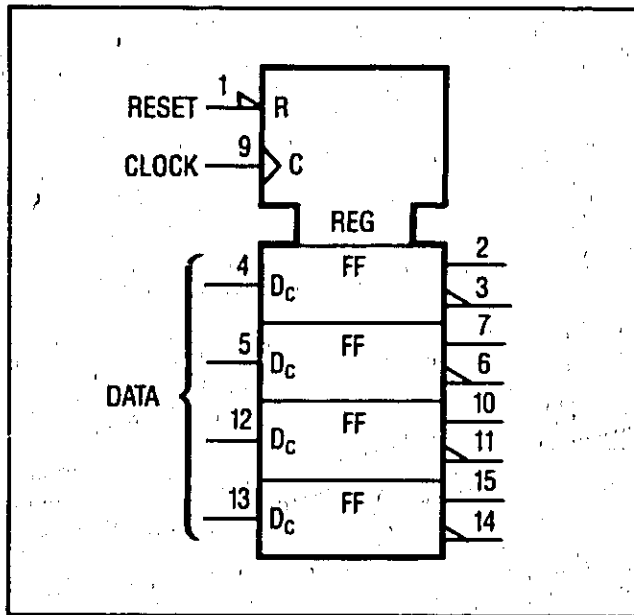


Figure 8-9. Quad D-Type Latch (Combined)

Operational Amplifiers (cont'd)

will not work for operational amplifiers which are configured as comparators.) A difference voltage much greater than 10 mV indicates trouble in the amplifier or its external circuitry. Usually, this difference will be several volts and one of the inputs will be very close to one of the supply voltages (e.g., +15V or -15V).

Next, check the amplifier's output voltage. It will probably also be close to one of the supply voltages (e.g. ground, +15V or -15V). Check to see that the output conforms to the inputs. For example, if the inverting input is more positive than the non-inverting input, the output should be negative; if the non-inverting input is more positive than the inverting input, the output should be positive. If the output conforms to the inputs, check the amplifier's external circuitry. If the amplifier's output does not conform to its inputs, it is probably defective.

Figures 8-10 through 8-14 show typical operational amplifier configurations. Figure 8-10 shows a non-inverting buffer amplifier with gain of 1. Figure 8-11 is a non-inverting amplifier with gain determined by R1 and R2. Figure 8-12 is an inverting amplifier with a gain determined by R1 and R2.

8-27. Comparators

Comparators are used as level sense amplifiers, switch drivers, pulse height discriminators, and

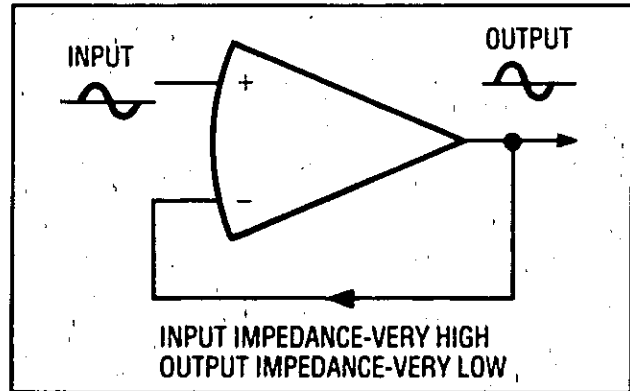


Figure 8-10. Non-Inverting Amplifier (Gain = 1)

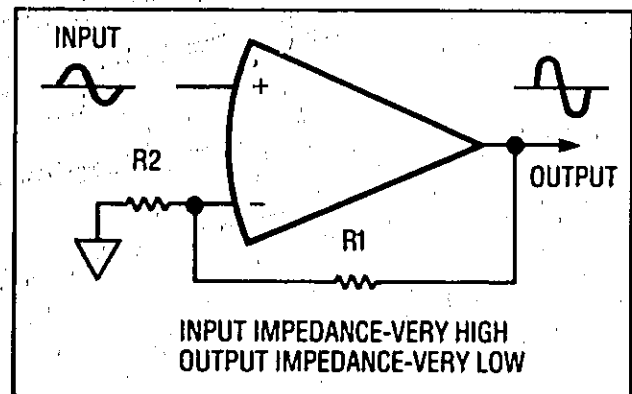


Figure 8-11. Non-Inverting Amplifier (Gain = 1 + R1/R2)

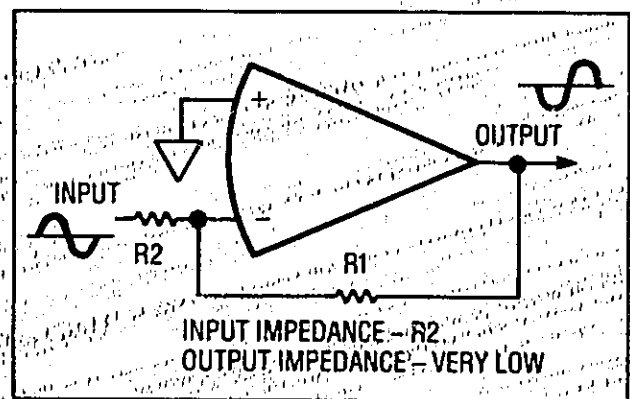


Figure 8-12. Inverting Amplifier (Gain = -R1/R2)

voltage comparators. A voltage reference is connected to one of the amplifier's outputs as shown in Figures 8-13 and 8-14. When the input signal voltage crosses the reference, the output goes positive; the output remains positive until the signal re-crosses the reference.

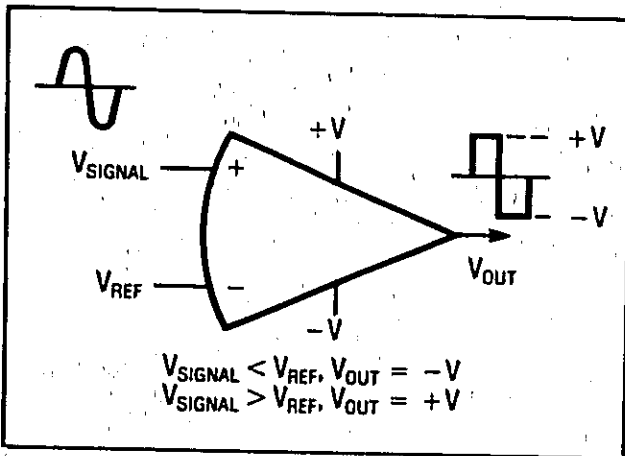


Figure 8-13. Non-Inverting Comparator

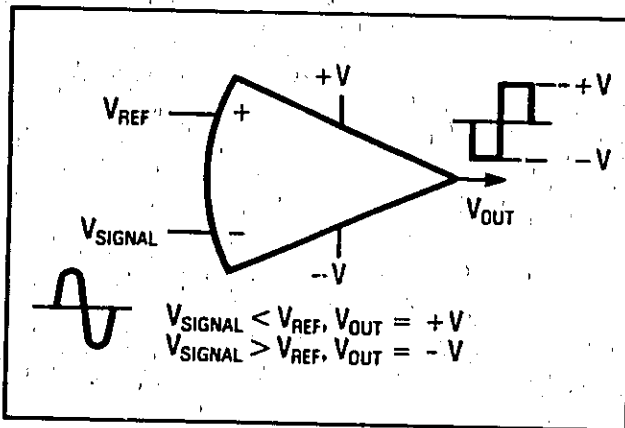


Figure 8-14. Inverting Comparator

8-28. Limiter (Transistor Array)

The limiter shown in Figure 8-15 is simply a transistor array in a differential amplifier configuration. Its limiting characteristic is a function of its external biasing. The figure shows two of the common biasing arrangements and the internal circuitry of the device. The minus sign at pin 8 indicates signal inversion relative to the input. The plus sign at pin 5 (or the omission of the minus sign) indicates non-inversion.

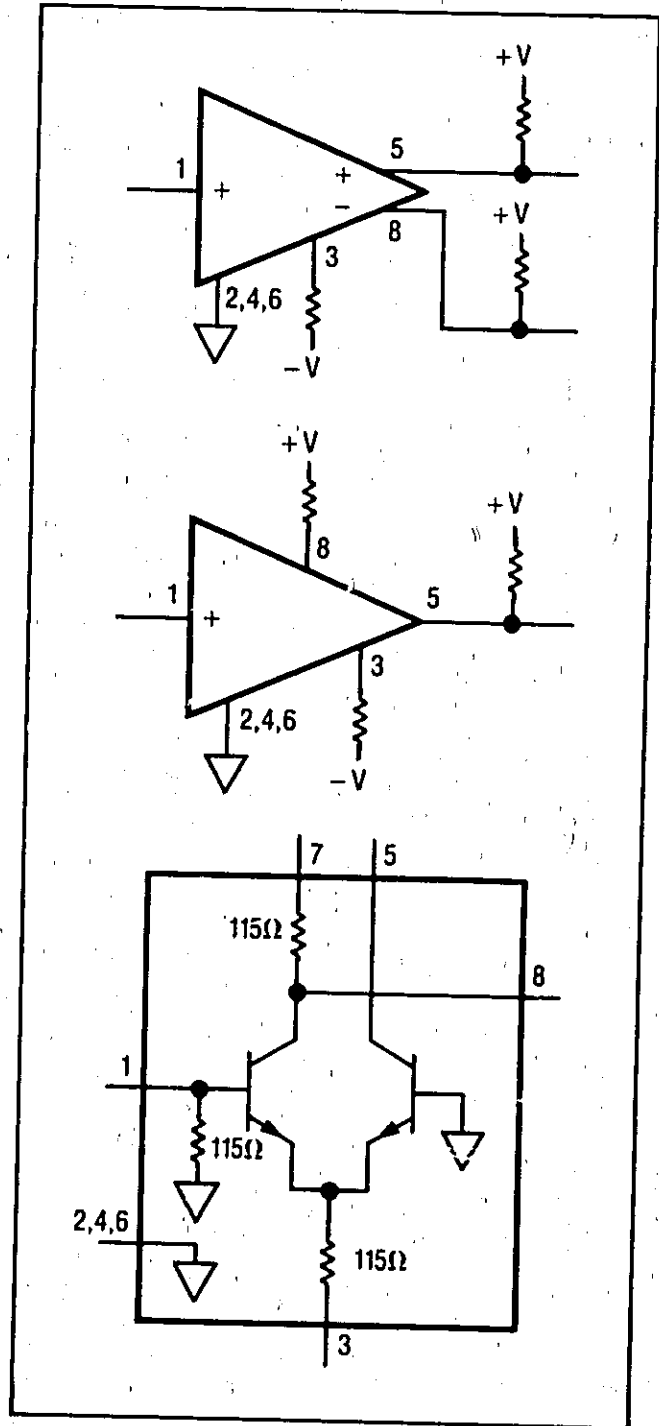


Figure 8-15. Limiter (Transistor Array)

8-29. SCHEMATIC DIAGRAM NOTES

Table 8-2 summarizes the symbology used in presenting many of the devices on the schematics.

Table 8-2. Schematic Diagram Notes (1 of 8)

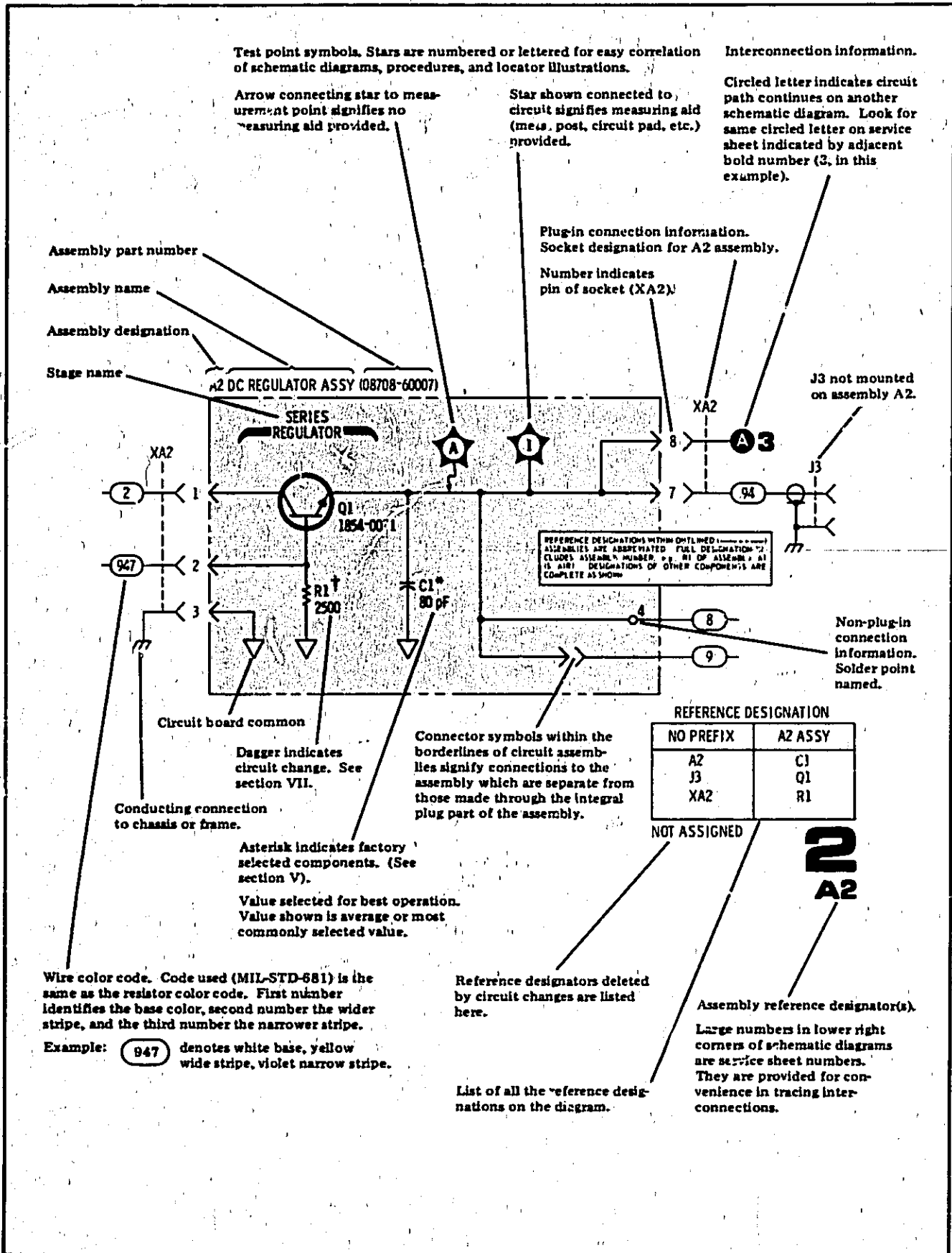


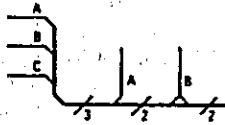
Table 8-2. Schematic Diagram Notes (2 of 8)

SCHEMATIC DIAGRAM NOTES

| | |
|-------------|--|
| • | Asterisk denotes a factory-selected value. Value shown is typical. |
| † | Dagger indicates circuit change. See Section VII. |
| ◐ | Tool-aided adjustment. |
| ○ | Manual control. |
| ▭ | Encloses front-panel designation. |
| ▭ (dashed) | Encloses rear-panel designation. |
| --- | Circuit assembly borderline. |
| --- | Other assembly borderline. |
| —▶ | Heavy line with arrows indicates path and direction of main signal. |
| - - -▶ | Heavy dashed line with arrows indicates path and direction of main feedback. |
| — — | Indicates stripline (i.e., RF transmission line above ground). |
| CW | Wiper moves toward cw with clockwise rotation of control (as viewed from shaft or knob). |
| ⊙ | Numbered Test Point measurement aid provided. |
| 0 | Encloses wire or cable color code. Code used is the same as the resistor color code. First number identifies the base color, second number identifies the wider stripe, and the third number identifies the narrower stripe, e.g., denotes white base, yellow wide stripe, violet narrow stripe. |
| ⊥ | A direct conducting connection to earth, or a conducting connection to a structure that has a similar function (e.g., the frame of an air, sea, or land vehicle). |
| ↗ | A conducting connection to a chassis or frame. |
| ▽ | Common connections. All like-designation points are connected. |
| AKI 12 | Letters = off-page connection, e.g., AKI Number = Service Sheet number for off-page connection, e.g., 12 |
| ① THIS PAGE | Number (only) = on-page connection. |

Table 8-2. Schematic Diagram Notes (3 of 8)

SCHEMATIC DIAGRAM NOTES



Indicates multiple paths represented by only one line. Letters or names identify individual paths. Numbers indicate number of paths represented by the line.



Coaxial or shielded cable.



Relay. Contact moves in direction of arrow when energized.



Indicates a pushbutton switch with a momentary (ON) position.



Indicates a PIN diode.



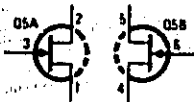
Indicates a current regulation diode.



Indicates a voltage regulation diode.



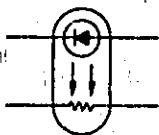
Indicates a Schottky (hot-carrier) diode.



Multiple transistors in a single package—physical location of the pins is shown in package outline on schematic.



Identification of logic families as shown (in this case, ECL).



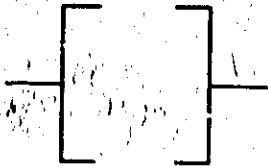
Indicates an opto-isolator of a LED and a photoresistor packaged together. Resistance of the photoresistor is a function of the current flowing through the LED.

**SERVICE
INFORMATION
CON'T**

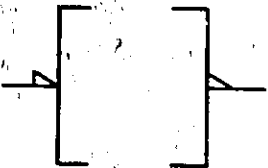
Table 8-2. Schematic Diagram Notes (4 of 8)

DIGITAL SYMBOLOGY REFERENCE INFORMATION

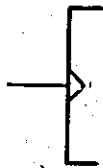
Input and Output Indicators



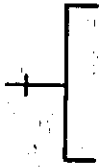
Implied Indicator—Absence of polarity indicator (see below) implies that the active state is a relative high voltage level. Absence of negation indicator (see below) implies that the active state is a relative high voltage level at the input or output.



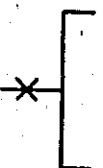
Polarity Indicator—The active state is a relatively low voltage level.



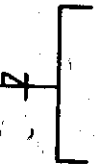
Dynamic Indicator—The active state is a transition from a relative low to a relative high voltage level.



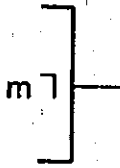
Inhibit Input—Input that, when active, inhibits (blocks) the active state outputs of a digital device.



Analog Input—Input that is a continuous signal function (e.g., a sine wave).



Polarity Indicator used with Inhibit Indicator—Indicates that the relatively low level signal inhibits (blocks) the active state outputs of a digital device.



Output Delay—Binary output changes state only after the referenced input (m) returns to its inactive state (m should be replaced by appropriate dependency or function symbols).



Open Collector Output—Output that must form part of a distributed connection.

Table 8-2. Schematic Diagram Notes (5 of 8)


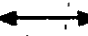
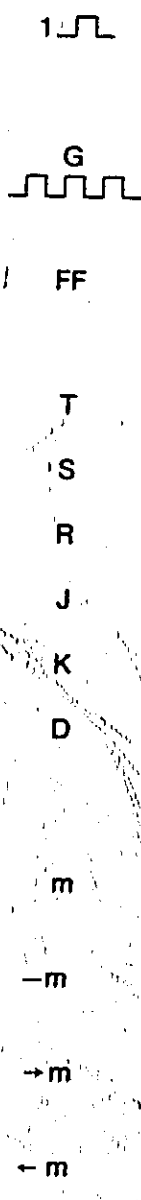
| DIGITAL SYMBOLOGY REFERENCE INFORMATION | |
|---|---|
| Input and Output Indicators (Cont'd) | |
| 3-STATE | Three-state Output—Indicates outputs that can have a high impedance (disconnect) state in addition to the normal binary logic states. |
| Combinational Logic Symbols and Functions | |
| & | AND—All inputs must be active for the output to be active. |
| ≥ 1 | OR—One or more inputs being active will cause the output to be active. |
| $\geq m$ | Logic Threshold—m or more inputs being active will cause the output to be active (replace m with a number). |
| =1 | EXCLUSIVE OR—Output will be active when one (and only one) input is active. |
| =m | m and only m—Output will be active when m (and only m) inputs are active (replace m with a number). |
| = | Logic Identity—Output will be active only when all or none of the inputs are active (i.e., when all inputs are identical, output will be active). |
|  | Amplifier—The output will be active only when the input is active (can be used with polarity or logic indicator at input or output to signify inversion). |
| X/Y | Signal Level Converter—Input level(s) are different than output level(s). |
|  | Bilateral Switch—Binary controlled switch which acts as an on/off switch to analog or binary signals flowing in both directions. Dependency notation should be used to indicate affecting, affected inputs and output. Note: amplifier symbol (with dependency notation) should be read to indicate unilateral switching. |
| X-Y | Coder—Input code (X) is converted to output code (Y) per weighted values or a table. |
| (Functional Labels) | The following labels are to be used as necessary to ensure rapid identification of device function. |
| MUX | Multiplexer—The output is dependent only on the selected input. |
| DEMUX | Demultiplexer—Only the selected output is a function of the input. |
| CPU | Central Processing Unit |
| PIO | Peripheral Input/Output |
| SMI | Static Memory Interface |

Table 8-2. Schematic Diagram Notes (6 of 8)

DIGITAL SYMBOLOGY REFERENCE INFORMATION

Sequential Logic Functions



Monostable—Single shot multivibrator. Output becomes active when the input becomes active. Output remains active (even if the input becomes inactive) for a period of time that is characteristic of the device and/or circuit.

Oscillator—The output is a uniform repetitive signal which alternates between the high and low state values. If an input is shown, then the output will be active if and only if the input is in the active state.

Flip-Flop—Binary element with two stable states, set and reset. When the flip-flop is set, its outputs will be in their active states. When the flip-flop is reset, its outputs will be in their inactive states.

Toggle Input—When active, causes the flip-flop to change states.

Set Input—When active, causes the flip-flop to set.

Reset Input—When active, causes the flip-flop to reset.

J Input—Analogous to set input.

K Input—Analogous to reset input.

Data Input—Always enabled by another input (generally a C input—see Dependency Notation). When the D input is dependency-enabled, a high level at D will set the flip-flop; a low level will reset the flip-flop. Note: strictly speaking, D inputs have no active or inactive states—they are just enabled or disabled.

Count-Up Input—When active, increments the contents (count) of a counter by "m" counts (m is replaced with a number).

Count-Down Input—When active, decrements the contents (count) of a counter by "m" counts (m is replaced with a number).

Shift Right (Down) Input—When active, causes the contents of a shift register to shift to the right or down "m" places (m is replaced with a number).

Shift Left (Up) Input—When active, causes the contents of a shift register to shift to the left or up "m" places (m is replaced with a number).

NOTE

For the four functions shown above, if m is one, it is omitted.

(Functional Labels)

The following functional labels are to be used as necessary in symbol build-ups to ensure rapid identification of device function.

Table 8-2. Schematic Diagram Notes (7 of 8)

DIGITAL SYMBOLOGY REFERENCE INFORMATION**Sequential Logic Functions (Cont'd)**

| | |
|-------|--|
| mCNTR | Counter—Array of flip-flops connected to form a counter with modulus m (m is replaced with a number that indicates the number of states: 5 CNTR, 10 CNTR, etc.). |
| REG | Register—Array of unconnected flip-flops that form a simple register or latch. |
| SREG | Shift Register—Array of flip-flops that form a register with internal connections that permit shifting the contents from flip-flop to flip-flop. |
| ROM | Read Only Memory—Addressable memory with read-out capability only. |
| RAM | Random Access Memory—Addressable memory with read-in and read-out capability. |

Dependency Notation

| | |
|-----|--|
| mAm | Address Dependency—Binary affecting inputs of affected outputs. The m prefix is replaced with a number that differentiates between several address inputs, indicates dependency, or indicates demultiplexing and multiplexing of address inputs and outputs. The m suffix indicates the number of cells that can be addressed. |
| Gm | Gate (AND) Dependency—Binary affecting input with an AND relationship to those inputs or outputs labeled with the same identifier. The m is replaced with a number or letter (the identifier). |
| Cm | Control Dependency—Binary affecting input used where more than a simple AND relationship exists between the C input and the affected inputs and outputs (used only with D-type flip-flops). |
| Vm | OR Dependency—Binary affecting input with an OR relationship to those inputs or outputs labeled with the same identifier. The m is replaced with a number or the letter (the identifier). |
| Fm | Free Dependency—Binary affecting input acting as a connect switch when active and a disconnect when inactive. Used to control the 3-state behavior of a 3-state device. |

NOTE

The identifier (m) is omitted if it is one—that is, when there is only one dependency relationship of that kind in a particular device. When this is done, the dependency indicator itself (G, C, F, or V) is used to prefix or suffix the affected (dependent) input or output.

Table 8-2. Schematic Diagram Notes (8 of 8)

DIGITAL SYMBOLOGY REFERENCE INFORMATION**Miscellaneous**

Schmitt Trigger—Input characterized by hysteresis; one threshold for positive going signals and a second threshold for negative going signals.

Active

Active State—A binary physical or logical state that corresponds to the true state of an input, an output, or a function. The opposite of the inactive state.

Enable

Enabled Condition—A logical state that occurs when dependency conditions are satisfied. Although not explicitly stated in the definitions listed above, functions are assumed to be enabled when their behavior is described. A convenient way to think of it is as follows:

A function becomes active when:

- it is enabled (dependency conditions—if any—are satisfied)
- and its external stimuli (e.g., voltage level) enters the active state.

8-30. DIAGNOSTICS

The diagnostic mode is enabled with the switch on top of the microprocessor board A9. In the "DIAG" position, 39 processes are performed. The test number (0-38) is shown in the modulation display. To index through the tests, four keys are used. Two keys index by 1's and two keys index by 10's. Holding down one of these keys auto increments the displayed test number. The keys are summarized in Figure 8-16.

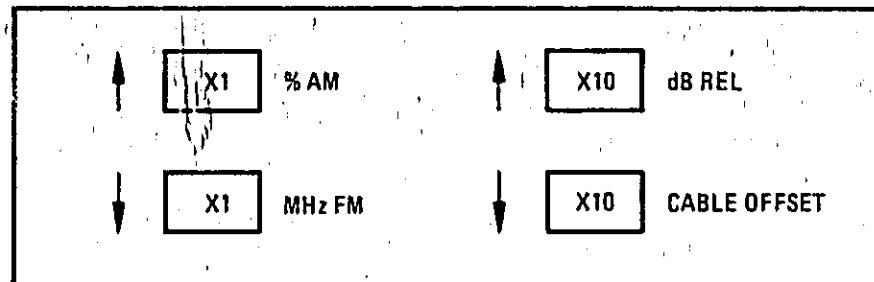


Figure 8-16. Diagnostic Indexing Keys

If a negative sign flashes to the left of the test number, then the voltage is out of specification.

The test results are displayed in the frequency digits. Negative voltages are represented by a second decimal point flashing in the frequency digits. Displayed resolution is 10 mV.

Test results also can be displayed on a data terminal via the RS 232 type of interface. (See "Connecting an HP 8683A/B or HP 8684A/B to a Data Terminal for Display of Diagnostic Data" in this section.) An example is:

$$+15V = 14.94$$

which means the 15 volt power supply measures 14.94 volts.

Tests 0 through 28 are the individual voltage measurement tests that are in the same order as Test 29. For example, Test 0 is "+5V", Test 1 is "+6.2V_{ref}", etc. (see the summary in Table 8-4).

Test 29 sends the results of Tests 0 through 28 to the RS-232 port. It displays all the voltages listed under their related functional headings (modulation, power supplies, etc.) Voltages that are out of specification are underlined or shown in inverse video on the terminal screen.

Test 30 displays in the frequency digits: "-OP-" which stands for "Output Flip Flop Testing". If any of the flip flops A8U6, U15, A9U13, or A9U14 are out of spec, the "-OP-" will disappear and "8 15", for example, will appear if A8U15 flip flop(s) are out of spec. On a terminal, the results of 32 flip flops are displayed and if any of them are out of spec, the voltage is underlined (or shown in inverse video). The voltage displayed is the change in voltage for each flip flop going from a "0" to a "1" as measured by I/O channel "LADDER 1". Table 8-3 shows an example of what is seen on the terminal.

Table 8-3. Typical Text Displayed on Terminal Screen for Diagnostic Test 30

| A# | BIT | 0 | 1 | 2 | 3 | 4 | 5 | 6 | 7 |
|----|-----|-------|-------|-------|-------|-------|-------|-------|-------|
| 8 | U6 | 04.16 | 04.32 | 04.32 | 04.32 | 04.32 | 04.16 | 04.16 | 04.32 |
| 8 | U15 | 04.16 | 04.32 | 04.32 | 03.52 | 04.32 | 04.16 | 04.16 | 04.16 |
| 9 | U13 | 04.16 | 04.16 | 04.16 | 04.48 | 03.84 | 03.68 | 04.16 | 04.16 |
| 9 | U14 | 04.00 | 03.52 | 04.16 | 04.16 | 04.16 | 04.16 | 04.16 | 03.84 |

Table 8-4. Summary of Diagnostic Tests 0-28

| Frequency Digits Measure ¹ (10 mV resolution) | Test Number (modulation window) ² | Power-up Error Codes | XAB Pin Number |
|---|---|-------------------------|-------------------|
| +5 volt power supply | 00 | E50 | A3, 21 |
| +6.2 volt ALC reference A7 TP2 | 01 | E54 | B1 |
| +6.5 volt microwave power supply | 02 | E55 | A28 |
| +15 volt power supply | 03 | E51 | A7 |
| -15 volt power supply | 04 | E52 | A32 |
| -30 volt power supply | 05 | E53 | A36 |
| Oscillator "high" power | 06 | E57 | A6 |
| Oscillator "low" power | 07 | E56 | A16 |
| Attenuator potentiometer on front panel | 08 | | A27 |
| Level potentiometer on front panel | 09 | | B20 |
| Detector, differential on A6 | 10 | E59 | A8 |
| Detector, amplifier on A6 | 11 | E58 | A11 |
| Pin modulator voltage, A5TP4 | 12 | E61 | A29 |
| Multiplier DAC, ALC: A7U5, pin 8 | 13 | E60 | A30 |
| Cable offset on rear panel | 14 | | A12 |
| Frequency (linearized): A8TP4 | 15 | | TP4 |
| #1 frequency potentiometer, lower 1/3 | 16 | E62 | N/C |
| #2 frequency potentiometer, middle 1/3 | 17 | E63 | N/C |
| #3 frequency potentiometer, upper 1/3 | 18 | E64 | N/C |
| AM "+" peak detector: A7U4 pin 7 | 19 | | A31 |
| AM "-" peak detector: A7U4 pin 14 | 20 | | A10 |
| FM "+" peak detector: A10TP5 | 21 | | A26 |
| FM "-" peak detector: A10TP6 | 22 | | A24 |
| FM varactor diagnostic XA10 pin 24 | 23 | | B19 |
| Sample & hold out A8U11, pin 1 | 24 | | N/C |
| Ground, analog | 25 | E65 | B2 |
| LADDER 1: Test A8 U6, 15; A9U13, 14 | 26 | | B22, 23 |
| LADDER 2: Test A1 U5, U21, U22 | 27 | | A17 |
| Reserved for possible future use | 28 | | A35 |

¹ Negative voltages flash the decimal point to the left of the fixed decimal point.
² Out of spec voltages flash the "-" sign just to the left of the displayed test number.

DIAGNOSTICS (cont'd)

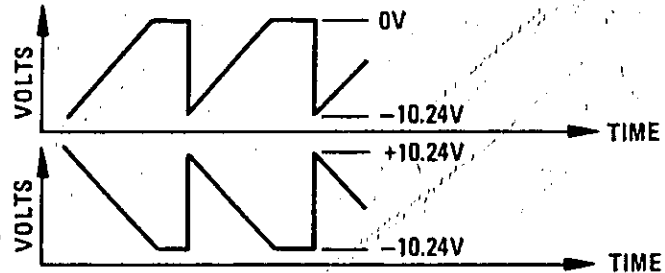
Test 31 displays in the frequency digits “—00—”, then “—11—”, which signifies that the flip flops A8(U5, U6, U14, U15) A9(U13 and U14) are exercised from zero's to one's. Relays are exercised during this test, so do not leave it in this test any longer than required. Note in this test, as in all other tests, the state can be momentarily frozen by pressing any “lower key” (not: %AM, MHz FM, dB REL, or CABLE OFFSET).

Test 32 flashes all key LEDs, decimal points (except the Level decimal point), and sequences all displays from 0's to 9's, —'s, E's, H's, L's, P's and (Blank)'s. Pressing a “lower key” will freeze the action for viewing. Note that the dBm key LED is inverted in relation to the other key LEDs.

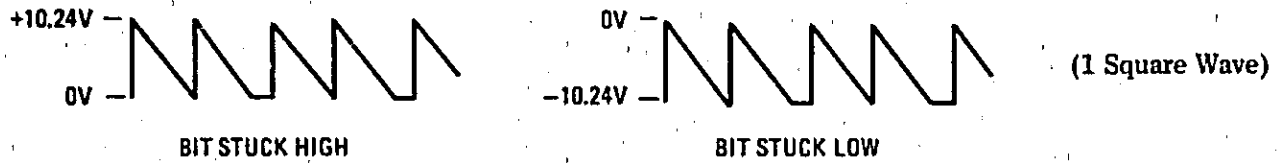
Test 33 sweeps the DAC on two test points:

A8, TP5 from -10.24V to 0V:

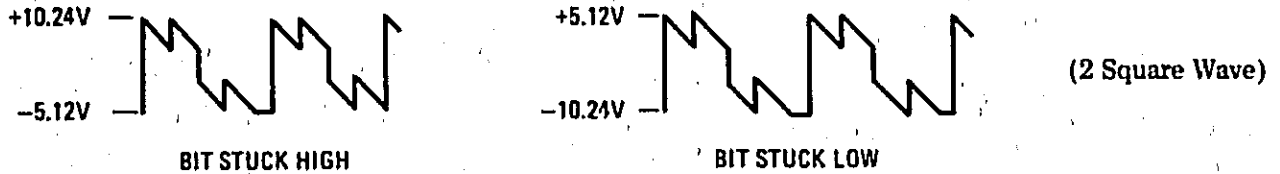
A8, TP6 from -10.24V to +10.24V:



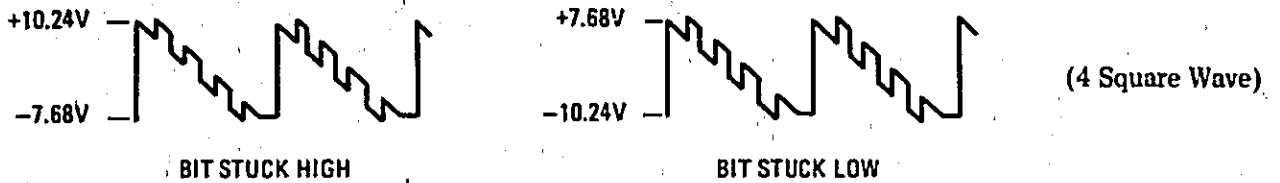
The above two tests check the functional operation of A8U1 and A8U2D which amplifies the DAC output and A8U2C, which has a gain of +2 with an offset of 10.24 volts. The DAC, A8U3, can be checked by looking at the fine-grainness of the scope trace. If the MSB (U8, pin 4) is bad, A8TP6 will look like:



If the next bit is bad, (U8, pin 5), the trace will look like:



If the next bit is bad, (U8, pin 6), the trace will look like:



Each successive bit doubles the number of square waves seen, so if the LSB (U8, pin 15) is bad, there are 2048 square waves superimposed on the ramp. More than one bit bad will superimpose square waves upon square waves. The DAC should step in approximately 5 mV steps. If this is not so, the error is in either the DAC or A8U5 or A8U14 which drive the DAC.

Test 34 sets the DAC to -10.000 volts.

Test 35 sets the DAC to +10.000 volts.

DIAGNOSTICS (cont'd)

Test 36 checks the DAC (A8U3) by using: (1) the DAC itself, (2) the Sample & Hold (A8U11A, U12), and (3) multiplexer channel number 26 (A8U10, pin 11, and U11C). DAC bits 3 through 11 are tested. DAC bits 0, 1 and 2 are not tested. "—" is shown in the FREQUENCY display. If any or all bits test bad, the "—" changes to the bad bit(s) in sequence. The bits correspond to: pin 15 = bit 0, pin 14 = bit 1, ..., pin 4 = bit 11 on A8U3.

Bits 0, 1 and 2 cannot be checked because of the input voltage offset errors of op-amps U11A, U11C, U13 and the DAC output voltage uncertainty of ± 1 least significant bit which is 5 mV.

The terminal displays (bit 7 does not work):

| | | | | | | | | | |
|---------|----|----|----|----|-------|----|----|----|----|
| DAC BIT | 03 | 04 | 05 | 06 | 07 | 08 | 09 | 10 | 11 |
| | OK | OK | OK | OK | ERROR | OK | OK | OK | OK |

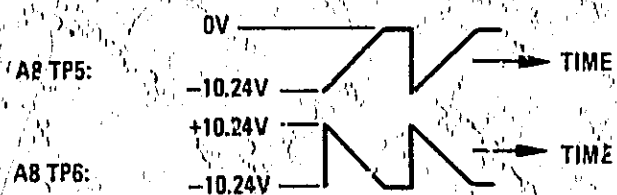
If the DAC output changed correctly, A8 TP8 will read a "0". However, if the bit that was checked didn't produce a change as it should, the DAC voltage will change in the WRONG direction, causing a reading at TP8 of "1".

Test 37 tests the pulse boards. The frequency display shows: "Prdw" where r, d, w, are either 0's or 1's. A "1" means that the function is pulsing.

r is for Rate
d is for Delay
w is for Width

Test 38 is used to set the instrument baud rate so that it matches the baud rate of the remote data terminal used during Test 29. To set the baud rate, select Test 38, press and release the dBm key until the desired baud rate is shown in the frequency display of the instrument.

Table 8-5. Summary of Diagnostic Tests 29—38

| Frequency Digits Display | Test Number (modulation window) | What it Does |
|-----------------------------|---------------------------------|--|
| Flashes many numbers | 29 | Displays on the terminal a summary of the first 29 tests |
| 1. —OP— 2. A U | 30 | 1. Normal operation: flip flops ok. 2. Flip flop(s) out of spec on IC; A = board number; U = IC number on board. Terminal displays flip-flop voltage swings; if out of spec, it is underlined. The voltages represent the change in voltage for each flip flop going from the "0" to "1" state. |
| —00— alternating —11— | 31 | Changes state on 48 flip flops on: A8U5, U6, U14, U15 and A9U13 and U14 from "0"s to "1"s. The rate is approximately 0.5 Hz. Pressing any lower front panel key will freeze the state for detailed troubleshooting. NOTE: Relays are exercised during this test. Do not leave this test enabled any longer than required. |
| 0000 1111 PPPP | 32 | Front panel check: flashes all displays including decimal points (except LEVEL decimal point). Pushing any lower key will freeze the action. |
| —EEP | 33 | Sweeps the DAC over its range.  |
| 1.000 | 34 | Sets DAC to -10.000 volts on A8TP6. |
| 10.00 | 35 | Sets DAC to +10.000 volts on A8TP6 |
| 1. — — 2. e# | 36 | 1. " — — " means DAC is ok on bits 3-11 (bits 0-2 not checked). 2. e# means this DAC bit is in error. |
| Prdw | 37 | Tests 3 digital inputs from the pulse boards, r, d, or w are 0 or 1. 1 means the board is pulsing. r = Rate, A2 U1 pin 8 d = Delay, A3 U1 pin 8 w = Width, A4 U14 pin 13. |
| baud rate | 38 | Power up at a 9600 baud rate. Select other baud rates, shown in the frequency display, with the front panel dBm key. |

Out of spec voltages are indicated by underlining or inverse video on the terminals.

8-31. Power-Up Diagnostics

When the HP 8684B is turned on, power-up diagnostics are performed. If the instrument is correctly operating, the center segments of all the displays will light for a brief period. The display will then blank for a short time and then all segments in the displays will light. The whole sequence takes approximately 5 seconds.

If the microcomputer detects errors upon power-up, additional sequences are displayed in the "FREQ" and "MCD" displays. Since there are over 20 power-up checks, the information goes by quickly. To stop the action, if error codes are detected in the diagnostics and are being displayed in the FREQUENCY or MODULATION displays, press any lower front panel key and hold it while pressing the LINE switch to the ON position. This will allow the reading of the error code, then press a key to advance to the next error message (if any). To slow down the action, when the displays don't power-up correctly and the decimal point in the LEVEL display blinks, press any lower front panel key and hold it while pressing the LINE switch to the ON position. The number of blinks tells what the error number is. Refer to Table 8-7 for a listing of front panel error codes.

8-32. RAM Checks

If the 6802 internal RAM does not work properly, the microprocessor can not assume it can use its stacks properly, therefore, it blinks a decimal point in the "LEVEL" display. The blinking occurs three times; the "ON" and "OFF" duration being equal in length. After blinking, the microcomputer does its normal instrument power-up which may or may not work properly. If power-up is successful, then only three blinks will be seen followed by normal operation. If power-up is not successful, the blinking will be continuous with intervening pauses. The heartbeat circuits on A9 keep re-setting the 6802 causing the RAM to be rechecked and the decimal point will continue to blink. Replace the 6802.

8-33. ROM Checks

The microprocessor checks all four EPROM/ROM sockets for proper checksum. If an error occurs, the error codes displayed are shown in Table 8-6.

Table 8-6. ROM Error Codes

| Modulation Display | Checksum Error in A9, U- |
|--------------------|--------------------------|
| E01 | U8 (8K) |
| E02 | U9 (2K) |
| E03 | U10 (2K) |
| E04 | U11 (2K) |

8-34. Front Panel Checks

Four critical IC's on the front panel board are checked. They are: A1U22, U5, U21, and U24. These IC's serially shift in the "address and data" from the microprocessor used to load all the output flip-flops and display drivers. They also parallel load the state of the keys to tell what key is pushed (parallel load feature not diagnosed). The loaded key information is serially shifted back out to the microprocessor ("serial shift out" is checked). Testing U22, U5, and U21 is done via the diagnostic output called LADDER 2.

U24 is only used to parallel load keys and has no outputs to test, so it is tested by shifting patterns through U22, U5, U21, and U24. The patterns should arrive intact to the microprocessor via pin 30 on A1J1. All four IC's must shift properly for U24 to test correctly. The error message is E08.

The microcomputer assumes if these tests fail, the front panel is not functioning properly. Therefore, it displays to the front panel the error codes and flashes (long off, short on) the "LEVEL" decimal point. The microprocessor controls the decimal point directly via A9U24. The number of flashes is the same as the error message number. To slow down the sequence, push a key.

Table 8-7. Front Panel Error Codes

| Modulation Display | Meaning ¹ |
|--------------------|--|
| E05 ² | A1U22's 4 outputs did not go from "0"s to "1"s correctly. At fault? U16C, U22, or R5. |
| E06 ² | A1U5's 4 outputs did not go from "0"s to "1"s correctly. At fault? U16C, U22, U5 or R5. |
| E07 ² | A1U21's 4 outputs did not go from "0"s to "1"s correctly. At fault? U16C, U22, U5, U21, or R5, R6, R7, R8. |
| E08 | Patterns sent by the microcomputer did not shift in and out of A1U22, U5, U21, and U24 correctly. At fault? U16C, U22, U5, U21, or U24. Additionally, A9U12 may not work so that the microcomputer can't receive data. A9U16, U2, or U3 may be at fault by not enabling U12 to receive data. |

¹All four tests assume that IC's on the microcomputer board send bits to the front panel. These IC's are: A9U6, U2, U3, or U13. They are checked via diagnostic test 31 (or test 29 assuming the front panel does not work and a data terminal is connected to the RS232 port).

²The three tests check the flip flop outputs use diagnostic test signal "LADDER2". It is assumed that the DAC, A8U3, and the input multiplexer, A8U9, pin 11 work.

8-35. Table Tests

There are eight individually tailored ROM tables in each instrument. Upon power-up, if any of these tables are missing, "E09" error message is issued along with the table type not found displayed in the frequency digits. These tests are shown in Table 8-8.

Table 8-8. Table Tests

| Frequency Digits Display Table | Error Number Modulation Window | Meaning |
|--------------------------------|--------------------------------|--|
| 01 | E09 | Signature table: Date, etc. |
| 02 | E09 | Annunciator table: 1) pulse lights; 2) frequency decimal point. |
| 03 | E09 | Frequency table: individual frequency calibration data. |
| 04 | E09 | ALC table: absolute level for output power, LEVEL display offset. Capability to calibrate ALC separate from the attenuator is latent in this table. |
| 05 | E09 | Attenuator table: relative power variations with frequency for each step of the attenuator plus ALC coupler, detector, cabling, and output connector combined. (The coupler and detector data could be pulled out and put in the ALC table.) |
| 06 | E09 | Coaxial table: frequency variations for 4 meters of RG-214/U cable. |
| 07 | E09 | FM table: individual correction for varactor tuning sensitivity of the microwave oscillator. |
| 08 | E09 | Limits table: contains the high and low limits for each I/O channel that is checked upon power-up. Also contains the error code to be displayed if an error is found. |

8-36. DAC Self Test

The DAC bits 3 through 11 are checked using the DAC itself. If any or all bits give incorrect results, error code E10 is displayed. See Diagnostics Test 36 for more details.

DAC SELF TEST

| Modulation Display | Meaning |
|--------------------|--|
| E10 | Some or all of the DAC bits (A8U3) have errors. Bits 3-11 are checked. Bits 0-2 are not checked. |

8-37. Voltage Limit Tests

Upon power-up, many voltages are checked to see if they are within specified limits. If any of the voltages measured are outside of their high and low limits, error codes are displayed at power-up. Pressing any lower key on the front panel will freeze the action so they can be read. A summary of these specifications are listed in Table 8-9.

Table 8-9. I/O Channel Voltage Limits

| Error Number (Modulation Window) | Lower Limit | Upper Limit | Measurement |
|-------------------------------------|-------------|-------------|-------------------------------------|
| E50 | 4.75 | 5.50 | +5 volt supply |
| E51 | 14.50 | 15.50 | +15 volt supply |
| E52 | -15.50 | -14.50 | -15 volt supply |
| E53 | -31.00 | -29.00 | -30 volt supply |
| E54 | 5.70 | 6.70 | +6.2 volt ALC reference |
| E55 | 6.50 | 7.50 | +6.5 volt microwave power supply |
| E56 | * | * | Oscillator low power supply |
| E57 | * | * | Oscillator high power supply |
| E58 | 1.00 | 5.00 | ALC detector amplifier |
| E59 | -0.30 | +0.30 | ALC detector, differential |
| E60 | -0.10 | 5.00 | ALC multiplying DAC |
| E61 | -9.00 | -0.50 | ALC pin modulator |
| E62 | -0.10 | 10.24 | 1st frequency potentiometer, A8 R12 |
| E63 | -0.10 | 10.24 | 2nd frequency potentiometer, A8R15 |
| E64 | -0.10 | 10.24 | 3rd frequency potentiometer, A8R18 |

CONNECTING AN HP 8683A/B OR HP 8684A/B TO A DATA TERMINAL FOR DISPLAY OF DIAGNOSTICS DATA

The HP 8680 series of Microwave Signal Generators contains provisions for transmitting the results of the internal diagnostic tests to a remote device (normally a Data Terminal) for display and evaluation. This is accomplished with an RS 232C type of interface accessed through a printed circuit board edge connector located under the top cover on Assembly A9 (CPU). An adaptor cable from the PC Edge connector to a 25 Pin USA Modem connector is available from Hewlett-Packard as part of the HP 11727A Support Kit or as a separate part and is the recommended method of connection discussed in this procedure. As indicated in Table 8-10, connection to only 6 pins of the adaptor cable 25 pin connector is required.

Table 8-10. USA Modem Connector Pin Assignments

| 25-Pin Modem Connector Pin Number | RS232C/CCITT V.24 Code Description |
|-----------------------------------|---|
| 2 | BA/103 Transmitted Data (Data Out) |
| 3 | BB/104 Received Data (Data In) |
| 5 | CB/106 Clear to Send |
| 7 | AB/102 Signal Ground (Common Return) |
| 8 | CF/107 Received Line Signal Detector |
| 12 | SCF/102 Secondary Received Line Signal Detector |

For a Data Terminal or remote device to be compatible with the HP 8680 series remote interface, the following requirements must be met:

1. Any device connected must accept a transition from 0 to +4 volts as data received.
2. The remote device must transmit data within the following limits:
 Data Low: -12.0 to 1.0V
 Data High: +8.0 to +13.0V.
3. The remote device must recognize and respond to the following escape sequences:
 - a. "esc & a-XXR" Vertical Tab up XX rows.
 - b. "esc & dB" Turn on inverse video or underline.

- c. "esc & d@" Turn off inverse video or underline.
- d. "esc J" Clear screen from current position of cursor to end of screen.
- e. "esc & aφrφC" Cursor to position φ, φ.
- f. "esc H" Cursor home up.
- g. "esc K" Clear line from cursor position to end of line.

Once it has been established that the data terminal meets the compatibility requirements noted above and the proper connections to the HP 8680 series generator have been made, the only action required to initiate data transmission is to enable the REMOTE function on the terminal and establish a compatible data transfer baud rate.

To accomplish this, first set the data transfer Baud Rate of the terminal to one of the following values; 110, 150, 300, 600, 1200, 2400, 4800, or 9600. Then turn the 8680 series generator "ON" and set the service switch on A9 assembly to the "DIAG" position. Select diagnostics Test 38 — "Auto Baud" and set the generator baud rate by using the dBm key and observing the frequency display. Any other test number may now be selected and the test results will be transmitted to the terminal for display as well as appearing in the display of the HP 8680 series signal generator. Test 29 is particularly useful in conjunction with a data terminal. This test will display the results of Tests 0 through 28 on the terminal screen simultaneously, highlighting (underline or inverse video depending on the terminal) those test results that are not within the error limits stored in the signal generator. Tests 30 and 36 will also result in annotated tabular displays on a data terminal in contrast to the single display available on the front panel of the signal generator. Test 30 displays the change in voltage from a "0" to a "1" for 32 I/O flip-flops associated with the microprocessor and Test 36 displays the results of testing the DAC (A8U3) bits 3 through 11.

SERVICE SHEET BD1

PRINCIPLES OF OPERATION

General

The Signal Generator simplified block diagram, Figure 8-17, shows the eleven major assemblies and the microwave chain. The assembly number is in the upper left corner of the assembly block and its related service sheet number is in the lower right corner of the assembly block. The diagram can be divided into five major groupings, (1) microwave generation, (2) central processing unit (front panel, input/output, and microprocessor), (3) automatic level control including amplitude modulation, (4) frequency modulation and, (5) pulse modulation.

The explanation that follows describes briefly the function of each assembly. The items explained here are not necessarily shown on the block diagram but the information is given as an introduction to circuits shown on the service sheets. A detailed description of the function of each circuit can be found on the respective service sheet.

Five Functional Groupings

First, the microwave frequencies are generated with transistors positioned in a mechanically tuned cavity inside the A14 Microwave Oscillator module. Second, the central processing unit (CPU) has a microprocessor that on the power-up sequence accesses read only memory (ROM) to process stored diagnostic routines. During the diagnostic, power-up errors detected are briefly displayed. After power-up is completed, the CPU waits for a key down signal caused by a front panel key being pressed. Third, the automatic level control (ALC) circuitry compares the instrument microwave output level to a locally generated 30 MHz reference source and generates a level correction signal. Level correction is accomplished by a PIN diode circuit in the ALC modulator. Amplitude modulation of the microwave signal is effected by modulating the reference source. Fourth, frequency modulation is accomplished with a varactor diode modulating the capacitive loading of the microwave cavity. Fifth, pulse signals are generated on the pulse rate board, or may be externally supplied. The signals are routed via the pulse delay and pulse width assemblies to the modulator in the microwave chain. Instrument capabilities include simultaneous AM, FM, and pulse modulation, with certain limitations.

Microwave Generation

Microwave frequencies are generated in a high-Q coaxial cavity and are tuned by changing the length of the center conductor (plunger) in the cavity. The A14 Microwave Oscillator cavity is a mechanically tuned one-quarter wavelength transverse electromagnetic (TEM) type. The FM varactor diodes are positioned inside the cavity and, when driven by the A10 FM Shaper Assembly, frequency modulate the oscillator. The microwave signal is transmitted through semi-rigid coaxial cable to the microwave amplifier module. This module also contains a PIN diode modulator (used for ALC level vernier control) and an automatically switched microwave low-pass filter which attenuates harmonics when they are in the instruments frequency range.

Central Processing Unit

The assemblies that are part of the CPU group are the A1 Front Panel, the A9 Central Processing Unit, and the A8 Input/Output assemblies.

The A1 Front Panel has the controls and displays, and processes signals to and from the CPU. It also contains LADDER 2, a signal to the I/O used in checking proper operation of 12 flip-flops on the A1 assembly.

The A9 Central Processing Unit, using the front panel information as its input, generates strobes, data bus information, and has the components used with LADDER 1 (a signal line used in checking proper operation of 32 flip-flops on the A8 and A9 assemblies).

A8, Input/Output, uses diagnostic and analog signals from several other assemblies to generate 12 bits of information for the ALC reference. The front panel FREQUENCY, LEVEL range and vernier, and rear panel CABLE OFFSET controls are also inputs to the I/O assembly.

The A1 Front Panel Assembly provides five major functions, (1) keys to be pressed and then read by the CPU; (2) shifting of front panel data in and out, (3) decoding of a four bit address used in the address decoding of bits A0 through A10 that control latches and seven segment displays, (4) latching for data that is used as control for a few signals throughout the instrument, and (5) the displaying of frequency, modulation, and level; UNLEVEL and OVERMOD annunciators, and in-key annun-

Central Processing Unit (cont'd)

ciators. Front panel data is used by the A9 Central Processing Unit (CPU) Assembly. When a front panel key is pressed, the key-down signal is detected by the A9 CPU Assembly. The microprocessor reads which key is pressed and takes appropriate action. The microprocessor checks the state of the key down line approximately every 20 ms. Inputs to this assembly go through buffer gates to the bidirectional data bus. The data bus bits D0 through D7 of the microprocessor are latched, then gated as output control signals. The data bus bits go to the A8 Input/Output Assembly to set up processing of analog signals. The A8 I/O assembly's major functions are (1) receiving data from the A9 CPU assembly which is loaded into input flip-flops (the first two flip-flops feed a second set of flip-flops which control channel selection of analog signal multiplexing); (2) digital-to-analog converting that is done with a 12 bit DAC to generate a signal for the analog to digital comparator, (3) the sampling and holding which provides a voltage proportional to frequency called SWEEP OUT and (4) self testing of the DAC. A second set of flip-flops also provides output information to control the ALC circuitry.

Automatic Level Control and Amplitude Modulation

The microwave signal level of the instrument is monitored by the ALC system via the coupled output from DC1. This signal is rectified and low-pass filtered by CR1 and the resulting dc voltage is compared to a dc voltage similarly derived from the 30 MHz reference source. The amplified difference between the two voltages makes the ALC error signal which is fed back to the PIN modulator in the microwave amplifier module. The non-linear transfer characteristic of CR1 is compensated for by using a similar diode for the reference source rectifier. Stability of the ALC loop is ensured by an integrator on the ALC control assembly.

The ALC circuitry has three related assemblies: the A7 ALC Reference, A6 ALC Detector Amplifier, and A5 ALC Control. The A7 ALC Reference Assembly has four major functions. They are (1) generating a 30 MHz reference signal, (2) AM input buffering and peak detecting, (3) digital power level control (using a DAC and multiplexer for the ALC linear bits A0 through A9 and ALC log bits A0 and A1), and (4) attenuating the 30

MHz reference by 10 dB. The 30 MHz reference produced by the A7 assembly is used by the A6 assembly. The A6 ALC Detector Amplifier Assembly has five major functions. They are (1) the amplification of the detector differential voltage to produce the ALC error signal from the 30 MHz and microwave detectors' outputs, (2) generating a 1 kHz squarewave for internal pulse (3) generating a 1 kHz sawtooth for internal FM, (4) determining the pulse mode and (5) providing the driving signal for the microwave filter. The A5 ALC Control Assembly uses the ALC error signal generated by the A6 assembly to complete the control loop. Completion of the loop uses these major functions: (1) driving the FET switch sampler, (2) integrating the ALC error signal, (3) driving signal for the ALC pin modulator in the A16 Microwave Amplifier module, (4) loop gain compensation and setting the ALC loop bandwidth, and (5) unlevel detecting for AM overmodulation. The A7 ALC Reference Assembly is made up of a 30 MHz oscillator feeding a precision voltage controlled attenuator followed by an output buffer. The voltage controlled attenuator allows the output level of the reference assembly to be controlled with a dc voltage. During amplitude modulation, this voltage is modulated by the AM input signal. Modulation of the ALC reference source is used to modulate the microwave signal. In the AM mode the time constant of the integrator in the loop is decreased, enabling the loop to follow the AM input signal.

The 30 MHz reference signal and the signal detected by CR1 Microwave Detector are differentially amplified on the A6 ALC Detector Amplifier to produce an ALC error signal. This error signal goes to the A5 ALC Control to drive the ALC modulator in the A16 Microwave Amplifier module. Other outputs of the ALC detector amplifier are the internal 1 kHz sawtooth FM signal and drive to the microwave filter in the A16 Microwave Amplifier module, and to drive the AT3 Pulse Modulator.

Frequency Modulation

The A10 FM Shaper Assembly, using either an externally applied FM Input signal or INT FM (internally generated 1 kHz sawtooth), produces a voltage output driving the varactor diodes in the A14 Microwave Oscillator. This voltage is a function of the frequency deviation desired. The rear panel PHASE LOCK input is also applied to the FM shaper for externally locking the generator to a stable source. The main functions of this

Frequency Modulation (cont'd)

assembly are (1) shaping the signals that are applied to the microwave varactor diodes in the A14 Microwave Oscillator, (2) processing the phase lock input used for locking to a stable source, and (3) peak detecting the applied FM signals. The peak detected signals are routed back to the A8 I/O assembly as two of the analog signals that get multiplexed.

Pulse Modulation

Pulse modulation of the RF output is provided by using five assemblies: A2 Pulse Rate, A3 Pulse Delay, A4 Pulse Width, A6 ALC Detector Amplifier, and AT3 Pulse Modulator. The A2 Pulse Rate assembly has two functions (1) providing the SYNC OUT pulse that shows the pulse before modulation, (the rate of this sync pulse is determined either by front panel switches selecting the ramp capacitor at the input to the pulse rate generator or by the rate of an external trigger), (2) pulse shaping and output amplifying. The A3 Pulse Delay assembly really has only one function. It creates the desired amount of delay. Steps 1 through 4 are the steps taken to fulfill this function. The four steps are (1) delaying the SYNC OUT pulse from the pulse rate assembly (using a different ramp capacitor for each delay range selected from the front panel), (2) pulse generating (using decade capacitors and a monostable multivibrator), (3) differentiating the monostable pulse, and (4) pulse shaping to develop a current spike for the Pulse Width assembly. Pulse mode is also determined by this assembly.

The A4 Pulse Width assembly has one function that is to provide a VIDEO OUT pulse (using the current spike from the Pulse Delay assembly). This pulse is a replica of the RF OUTPUT and shows the selected delay between SYNC OUT and VIDEO OUT. This pulse is developed by using ramp capacitors, a monostable pulse generator and pulse shaper. The Pulse UNCAL circuit which drives a front panel LED shows an invalid combination of pulse controls is set by the user.

TROUBLESHOOTING

1. Turn on the instrument. Ignore the erratic display that can occur momentarily when the instrument is first turned on. Watch for error codes in the modulation window. The codes will come by too fast to read. If error codes are

seen, turn the instrument off for a few seconds and, before turning the instrument on, press and hold any of the lower keys on the front panel until an error code is seen. This causes the first error code to be frozen in the display until a key is pressed, at which time the next error code will be displayed until there are none left. If the instrument does not turn on properly (i.e. no displays) go to Service Sheet 13 to check the power supplies.

2. If any error codes are present, go to the service sheet indicated in Table 8-11. If there is more than one error code, go to the service sheet indicated by the first error code that occurs in the display.

Table 8-11. Turn-on Errors

| Error Code | Service Sheet | Suspect Assembly | Problem Area |
|------------|---------------|---|---|
| E50 to E53 | SS13 | A11 Power Supply | 5.25V, 15V, -15V, -30V power supplies |
| E55 to E57 | SS13 | A11 Power Supply | +6.5V power supply, osc. hi and low band power supplies |
| E65 | SS10 | A8 I/O Board | Analog ground |
| E01 to E04 | SS11 | A9 CPU Board | ROM checksum error |
| E09 | SS11 | A9 CPU Board | Missing EPROM table |
| E06 to E08 | SS1 | A1 Front Panel | Front panel latches |
| E54 | SS9 | A7 ALC Reference | +6.2V ALC reference |
| E58 to E61 | SS7, 8, 9 | A5 ALC Control A6 ALC Detector Amplifier A7 ALC Reference | ALC loop |
| E62 to E64 | SS11 | A8 I/O Board | Frequency display adjustments F1, F2, F3 |

3. If no turn-on error codes are displayed, continue with this procedure. The following steps

TROUBLESHOOTING

- will assume that there were no error messages displayed at turn-on. Remove the instrument top cover and locate the Service Switch on the A9 board. Set the switch to the DIAG(nostic) position.
4. Select Diagnostic Test 32. This test lights the various front panel displays. The sequence should be 0123456789EHL P and the individual LEDs in the keys should be on. Watch for any incorrect displays or LEDs that do not switch on and off. The Pulse UNCAL light is not involved in this test since it is not driven by the CPU. If all is correct, continue to the next step, otherwise go to the front panel test procedure on Service Sheet 1.
 5. Select Diagnostic Test 30. If all is normal, the frequency window should display —OP—. If instead, two numbers are displayed, it means the voltage swing from logic-low to logic-high on a particular IC is incorrect. The first number in the display is the reference designator of the board and the second number is the IC number. For example, if the display shows 9 13, this means A9U13. Go to the Service Sheet for the particular board involved to finish troubleshooting.
 6. Select Diagnostic Test 08. Rotate the LEVEL Range switch fully clockwise. Momentarily cycle the test switch to NORM and back to DIAG. The frequency display should indicate 10.24 volts \pm 0.02 volts. Set the LEVEL switch fully counterclockwise. The voltage should drop to near 0.0 volts after the test switch is cycled. If these voltages are incorrect go to Service Sheet 10 to continue troubleshooting R6, the LEVEL potentiometer, and the circuit that reads it.
 7. Select Diagnostic Test 09. Rotate the LEVEL vernier fully clockwise. After cycling the test switch, the display should read 10.24 \pm 0.02 volts. Set the LEVEL vernier fully counterclockwise. The voltage should drop to near 0.0 volts after the test switch is cycled. If these voltages are incorrect, go to Service Sheet 7 to continue troubleshooting R7, the LEVEL vernier, and the circuit that reads it.
 8. Select Diagnostic Test 14. Rotate the rear panel CABLE OFFSET control fully clockwise. After cycling the test switch, the display should read 10.24 \pm 0.02 volts. Set the CABLE OFFSET fully counterclockwise. The voltage should drop to near 0.0 volts after the switch is cycled. If these voltages are incorrect go to Service Sheet 10 to continue troubleshooting R8, the CABLE OFFSET potentiometer, and the circuit that reads it.
 9. Select Diagnostic Test 15. Rotate the FREQUENCY tuning control fully clockwise. The display should read approximately +10 volts after cycling the test switch. Rotate the FREQUENCY control fully counterclockwise. The display should read approximately -10 volts after cycling the test switch. The decimal point between the 1 and the 0 should be flashing, indicating a negative number. If either voltage is incorrect go to Service Sheet 10 to continue troubleshooting R1, the FREQUENCY potentiometer, and the circuits around U11 and U2.
 10. Set test switch to NORM and select EXTERNAL AM. Set test switch to DIAG and select Diagnostic Test 19. The voltage displayed should be close to 0.0 volts. Select Diagnostic Test 20. The voltage should also be close to 0.0 volts. This checks the AM peak detector outputs with no modulation applied. If these voltages are correct, continue to the next step, otherwise, go to Service Sheet 9 to troubleshoot the AM peak detectors.
 11. Connect the 600 ohm output of a Test Oscillator to the AM input. Set the signal level to 1 volt peak out of the Test Oscillator at about 5 kHz (frequency is not critical). Set the front panel AM vernier fully clockwise. Select Diagnostic Test 19. The display should read close to 1.00 volts. The reading depends on how accurately the Test Oscillator output level can be set. Select Diagnostic Test 20. The display should be equal to that during Test 19. A difference of 5% between the two readings is acceptable. If these voltages are correct, continue to the next step, otherwise go to Service Sheet 9 to troubleshoot the AM peak detectors.
 12. Disconnect signal from the AM input and connect the Test Oscillator 50 ohm output to the FM input. Make sure the output of the Test Oscillator is still 1 volt peak. Set Test switch to NORM, turn off EXTERNAL AM and select

TROUBLESHOOTING (cont'd)

NORM, turn off EXTERNAL AM and select EXTERNAL FM 10 MHz/V.

13. Select DIAG mode on the Test switch and select Diagnostic Test 21. Set FM control fully clockwise. The display should read close to 1.00 volts. Select Diagnostic Test 22. The reading should be equal to that observed during Test 21. A difference of 5% between the two readings is acceptable. If the voltages are correct, continue to the next step, otherwise go to Service Sheet 12 to troubleshoot the FM peak detectors.
14. Set test switch to NORM. Turn off FM and select internal Pulse Modulation. If the pulse UNCAL light comes on, reduce pulse width, delay and rate as required to turn the UNCAL light off. If the PULSE UNCAL LED cannot be turned off, go to Service Sheet 6 to troubleshoot the Pulse Uncal detector.
15. Set test switch to DIAG and select diagnostic test 37, the pulse output diagnostic. The frequency display should read "P111", indicating that all three pulse boards are delivering pulses. If there is any other display, go to Service Sheet 4 to troubleshoot the pulse circuits.
16. Set test switch to NORM and turn off Internal Pulse mode. Set frequency to 5.4 GHz. Set LEVEL range and vernier controls to get a display of 0 dBm on the LEVEL display. Zero and calibrate a power meter with an HP 8481A power sensor. Set power meter CAL FACTOR to match the power sensor. The meter should read 0 ± 2.5 dBm and the UNLEVEL light on the Signal Generator should be off. If all is correct, continue to the next step, otherwise go to Block Diagram 2 to troubleshoot RF level problem.
17. Set LEVEL range switch to get +10 dBm output display. The unlevel light should remain out and the power meter display should match within ± 2.5 dB. If all is correct, continue to the next step, otherwise go to Service Sheet 7 to troubleshoot ALC or microwave chain problems.
18. Tune slowly from 5.4 to 12.5 GHz while watching the power meter and the UNLEVEL light. Change the CAL FACTOR as needed while tuning to maintain accuracy in the power meter reading. The UNLEVEL light should not come on over the entire range and the power output should remain flat within ± 1 dB. The absolute level should be 10 ± 2.5 dBm though it will usually be closer. If all is correct, continue to the next step, otherwise go to Service Sheet 7 to troubleshoot ALC or microwave chain problems.
19. Move the power sensor from the front panel to the AUXILIARY OUTPUT on the rear panel. The output should be greater than -15 dBm across the band. Typically the output will rise by several dB in the middle of the band. These are typical levels only, there are no warranted specifications associated with this output. If the level is several dB too low, go to Block Diagram 2 to troubleshoot the microwave chain.
20. Attach a dc voltmeter to the rear panel BNC connector labeled FREQUENCY. At the bottom of the band the output should be 0 Vdc and at the top of the band it should be 10 Vdc (typical levels only). Also, the voltage should change linearly as the frequency is tuned. If the voltage is incorrect, go to Service Sheet 10 to troubleshoot U11, U12 and associated components.
21. Move the voltmeter to the connector labeled RELATIVE VERNIER LEVEL. This output should vary from 0 to 10 Vdc as the LEVEL vernier is rotated over its range. The change should be 2.5 dB per volt. If the voltage is incorrect go to Service Sheet 7 to troubleshoot R7, the front panel LEVEL vernier control, and associated components.
22. Connect a spectrum analyzer to the front panel microwave output connector and the 50 ohm output of a Test Oscillator to the FM input. Select 1 MHz/V External FM and set the Test Oscillator to 100 kHz at 1 volt peak (0.707 Vrms). Set the front panel FM vernier fully clockwise. The modulation display should read approximately 1 MHz and the OVERMOD light may be on. Rotate the FM vernier to get a display of 240 kHz. The spectrum analyzer should show a null of the carrier since this should correspond to the first Bessel null (modulation index of 2.404). Typical accuracy of the FM metering is $\pm 10\%$ of full scale. If the

TROUBLESHOOTING (cont'd)

results of this step are incorrect, go to Service Sheet 12 to troubleshoot FM problems.

- 23. Select 10 MHz/V External FM and set modulation rate to 1 MHz. If necessary, adjust the FM vernier to get a display of 2.40 MHz deviation. The carrier displayed on the spectrum analyzer should be nulled at these settings as well. Typical accuracy of the FM metering is $\pm 10\%$ of full scale. If the results of this step are incorrect, go to Service Sheet 12 to troubleshoot FM problems.
- 24. Turn off FM and select External AM. Connect the Test Oscillator to the AM input. Set Test Oscillator frequency to 10 kHz at 0.5 volts peak. With the AM vernier fully clockwise, this should correspond to 50% AM and the modulation sidebands should be about 12 dB below the carrier. If the levels are correct continue to the next step, otherwise go to Service Sheet 9 to troubleshoot U3, U1D, U6 and associated components.
- 25. Turn off AM and connect a microwave frequency counter to the microwave OUTPUT connector. Set the level controls to 0 dBm or enough to reliably trigger the counter. Set the displayed frequency on the Signal Generator as close as possible to the settings shown in Table 8-12. It may not be possible to set the numbers exactly as shown. The frequency counter should read within the limits shown. If frequencies are not within the limits shown, go to Service Sheet BD2 to troubleshoot problems with the microwave oscillator and other components in the microwave chain.

Table 8-12. Frequency Accuracy

| Signal Generator Setting | Frequency Counter | |
|--------------------------|-------------------|-------------|
| | Minimum | Maximum |
| 5.4 GHz | 5.3325 GHz | 5.4675 GHz |
| 7.0 GHz | 6.9125 GHz | 7.0875 GHz |
| 9.0 GHz | 8.8875 GHz | 9.1125 GHz |
| 11.0 GHz | 10.9175 GHz | 11.0825 GHz |
| 12.5 GHz | 12.4063 GHz | 12.5937 GHz |

Other frequencies can be checked if problems are suspected. The specifications are shown in Table 1-1.

- 26. Connect spectrum analyzer to the microwave OUTPUT connector. Select INTERNAL PULSE mode and set RATE switch to 100 kHz. Set DELAY switch to $0.1 \mu s$ and WIDTH switch to $1 \mu s$. Set all the pulse verniers to 1. Set the spectrum analyzer to 100 kHz per division with appropriate bandwidth and scan time. The spectrum analyzer display should have spectrum lines every 100 kHz with zero amplitude points every 1 MHz. If the spectrum is not approximately as indicated, go to Service Sheet 4 to troubleshoot possible pulse problems.
- 27. Increase the Pulse WIDTH vernier while observing the Pulse UNCAL light. When the pulse width gets to approximately $9 \mu s$, the Pulse UNCAL light should turn on. When the UNCAL light turns on, the spectrum analyzer display should also change radically. If the spectrum display changes but the UNCAL light doesn't turn on, go to Service Sheet 6 to troubleshoot possible problems with the Pulse Uncal Detector or its input signals.
- 28. Return the Pulse WIDTH vernier to $1 \mu s$ and begin increasing the Pulse DELAY vernier until the Pulse UNCAL light turns on. This should occur at a delay of about $0.9 \mu s$ for this combination of rate and width. If the UNCAL light does not come on as expected, go to Service Sheet 5 to troubleshoot possible problems with the delay generator.
- 29. Return the DELAY vernier to the original setting of $0.1 \mu s$. Increase the Pulse RATE vernier until the UNCAL light turns on. This should occur at a rate of about 900 kHz. If the UNCAL light does not come on as expected, go to Service Sheet 4 to troubleshoot possible problems with the width generator.
- 30. Select EXTERNAL TRIGGER mode and attach a pulse generator to the PULSE INPUT connector. Set the pulse generator to provide a +5 volt pulse with a width $>100 ns$ and $<500 ns$. Vary the rate delivered by the pulse generator while watching the spectrum analyzer display. The spacing between lines of the pulse spectrum should vary with the pulse generator frequency. If the variation does not occur or the pulse spectrum disappears, go to Service Sheet 5 to troubleshoot the Pulse Mode logic and the External Input switches.
- 31. Select EXTERNAL PULSE mode. The external pulse generator is now in complete control of

TROUBLESHOOTING (cont'd)

the pulse parameters. The spectrum analyzer should show a pulse spectrum. If it does, continue to the next step, otherwise go to Service Sheet 5 to troubleshoot problems with the Logic Mode and External Input Switch circuits.

32. Select INTERNAL PULSE mode. Set the pulse controls to get a 10 kHz rate, 0.1 μ s delay and a 1 μ s pulse width. Connect a diode detector and a wide bandwidth oscilloscope to the microwave output. Adjust the sensitivity and sweep speed on the oscilloscope to get a good view of the detected pulses. Set the peak of the pulse at a convenient reference level and switch to CW. The CW amplitude should be within ± 0.5 dB of the peak pulse level. This should be within about $\pm 6\%$ of the CW level.
33. Return to INTERNAL PULSE mode and reduce the Pulse WIDTH vernier to 100 ns while observing the amplitude on the oscilloscope. If the oscilloscope trace becomes too dim to see, increase the pulse rate so the oscilloscope is triggered more often. The amplitude of the pulse should not change more than ± 1.0 dB as the width is reduced to 100 ns. Below that width, it will typically increase in amplitude down to about 20 ns, at which time the pulse will disappear entirely. If pulse performance is as described, continue to the next step, otherwise go to Service Sheet 7 to troubleshoot
- A5U2, the sampling FET switch driver and associated circuits.
34. Turn off INTERNAL PULSE mode and select external AM. Do the AM Distortion and AM Rates steps of the AM performance tests, paragraph 4-10, steps 6 and 7. If the instrument works properly, continue to the next step. Otherwise go to Service Sheet 9 to troubleshoot AM distortion problems or Service Sheet 7 to troubleshoot AM bandwidth problems.
35. Connect spectrum analyzer to RF output and oscillator connect 50 ohm output of test to FM INPUT connector. Set 1 MHz on test oscillator and select 10 MHz/V on the Signal Generator. Set FM vernier fully clockwise and adjust test oscillator output amplitude to get the first carrier null on the spectrum analyzer display. The modulation display on the Signal Generator should read 2.40 MHz \pm 0.50 MHz.
36. Change the test oscillator frequency to 2 MHz. Adjust the test oscillator output to again obtain the carrier null. This should occur at a displayed deviation of 4.80 \pm 0.50 MHz. If FM performance is not correct, go to Service Sheet 12 to troubleshoot the FM shaper board. This completes the main troubleshooting procedure. If no problem has revealed itself, either the instrument is working properly, the problem is intermittent or is a subtle deviation from specifications not checked in this procedure.

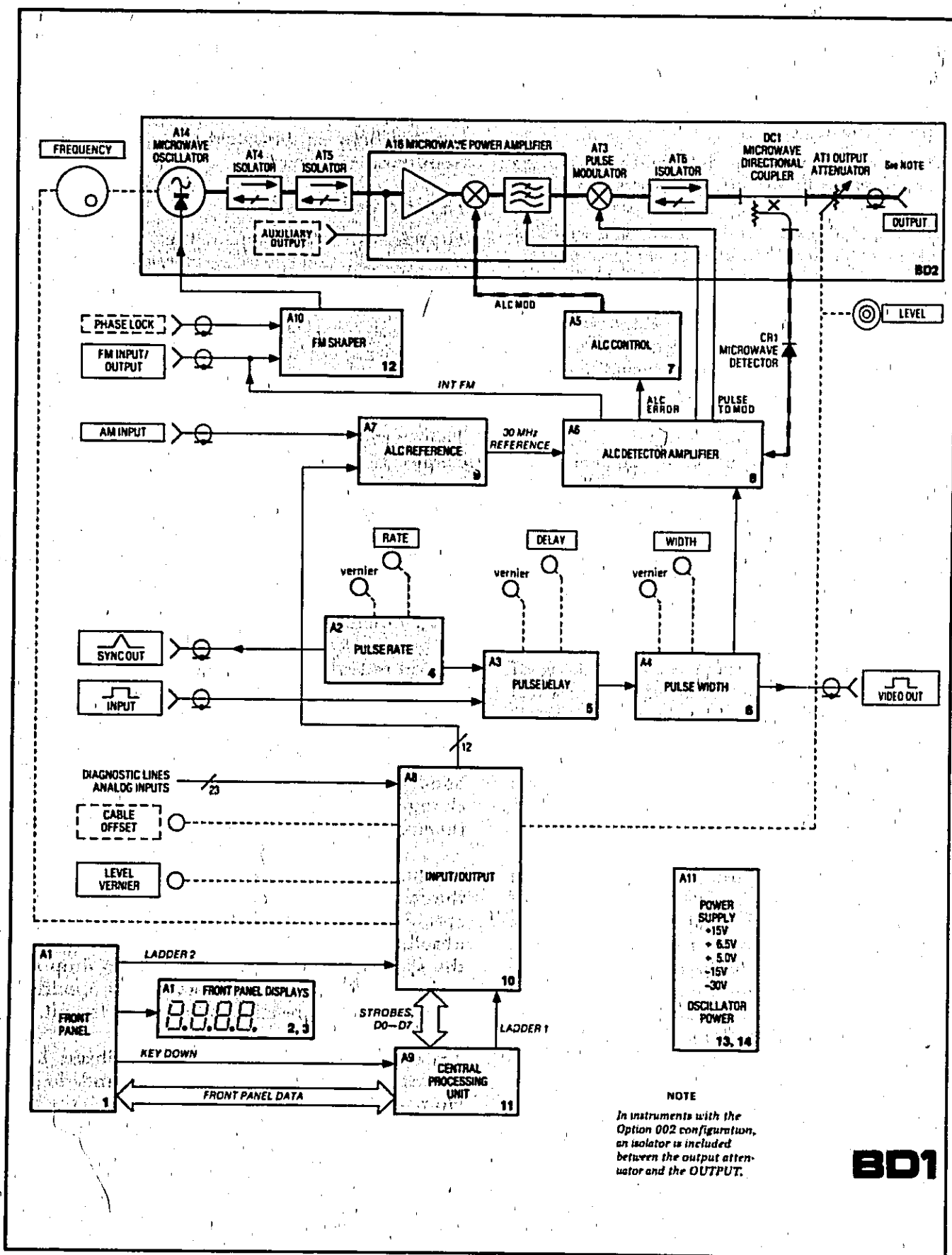


Figure 8-17. Simplified Block Diagram

SERVICE SHEET BD2 — MICROWAVE CHAIN BLOCK DIAGRAM

PRINCIPLES OF OPERATION

The Microwave Chain

The microwave chain consists of all parts from the microwave oscillator to the front panel connector.

The output of the oscillator is fed via a semirigid coaxial cable and two isolators to the input of a combination power amplifier and ALC modulator, A16. There are two outputs from this module. One line feeds the auxiliary output on the rear panel. The auxiliary output is not amplified and has no reverse power protection; it is intended for monitoring purposes only. The second line is the amplified output.

The signal received by the power amplifier is split into two paths; one goes to the AUXILIARY OUTPUT while the other is amplified. Several other important components have been integrated into the power amplifier. The ALC modulator is part of the amplifier, as is a switched low pass filter, which is used to suppress harmonics. A signal derived from the frequency tuning voltage switches the low-pass filter in the amplifier. The filter switches from a mode in which its cutoff frequency is about mid-band to a mode in which the cutoff is slightly above the highest normal operating frequency of the Signal Generator. The filter allows harmonic performance to be good, even at the bottom of the band where the second harmonic is still within the specified frequency range of the instrument.

After the power amplifier, the signal goes to a Pulse modulator. This modulator has an ON/OFF ratio of at least 80 dB. It is driven by the pulse driver circuit on the Detector Amplifier assembly. The signal then goes to the isolator whose function is to protect the power amplifier from reverse power and at the same time minimize ripple effects caused by SWR interactions. The forward loss of the isolator is about 0.7 dB and its reverse isolation is about 20 dB.

The next item in the microwave chain is a directional coupler. The ALC Sample Signal that goes to the Microwave Detector shown on Service Sheet 8, is connected to the coupled output. This output is about 12 dB down from the directional coupler's input signal. The main output of the directional coupler goes to a 10 dB step attenuator

that is switched by the front panel range knob. In a standard instrument, the output of the attenuator goes directly to the front panel output connector. If the instrument is an Option 002 with improved reverse power protection, an additional isolator is inserted between the output attenuator and the front panel connector.

The Microwave Oscillator

The microwave oscillator is a transistor oscillator resonated by a high-Q cavity in which the dimensions are changed to tune the resonant frequency. The cavity dimensions are effectively changed by altering the penetration depth of a tuning rod. The cavity is made of highly polished aluminum with a non-contacting probe made of polished, anodized aluminum.

There are two GaAs FET oscillator transistors coupled into the cavity. One is positioned so that its coupling antenna controls the oscillating frequency in the bottom half of the band. The other transistor is positioned to control oscillations in the top half of the band. The power supply for this oscillator is complicated because there are two separate supply voltages which decrease as frequency increases, from +7.4 Vdc at the bottom of the band down to +4.4 Vdc at the top of the band. There are several break point adjustments associated with these supplies. They allow the voltage to change nonlinearly with frequency if needed. Also, they limit power dissipation at the low end of the band during operation at the high end of the band. The complication of having supplies that change with frequency is necessary to assure that the cavity oscillates over the wide frequency range.

The tuning rod travels 10 mm in the cavity, tuning the cavity from 5.350 to 12.750 GHz. Note that the specified frequency range is smaller than the absolute tuning range of the oscillator. Outside the specified range the power tends to drop off rather quickly. Performance beyond the specified limits should not be relied on from unit to unit.

The cavity can be thought of as a distributed L-C resonant circuit. Changing tuning rod depth changes the L and C of the cavity, thus changing the frequency. When the cavity is being frequency modulated with varactor diodes, the diodes' capacitance is changed by the FM voltage. This changes the total cavity capacitance, thus changing the overall L-C circuit and tuning the frequency. Any movement or dimensional change in the cavity causes the frequency to tune in either a

SERVICE SHEET — BD2 (cont'd)

cyclical manner (in the case of vibration) or as a frequency drift (in the case of dimensional change).

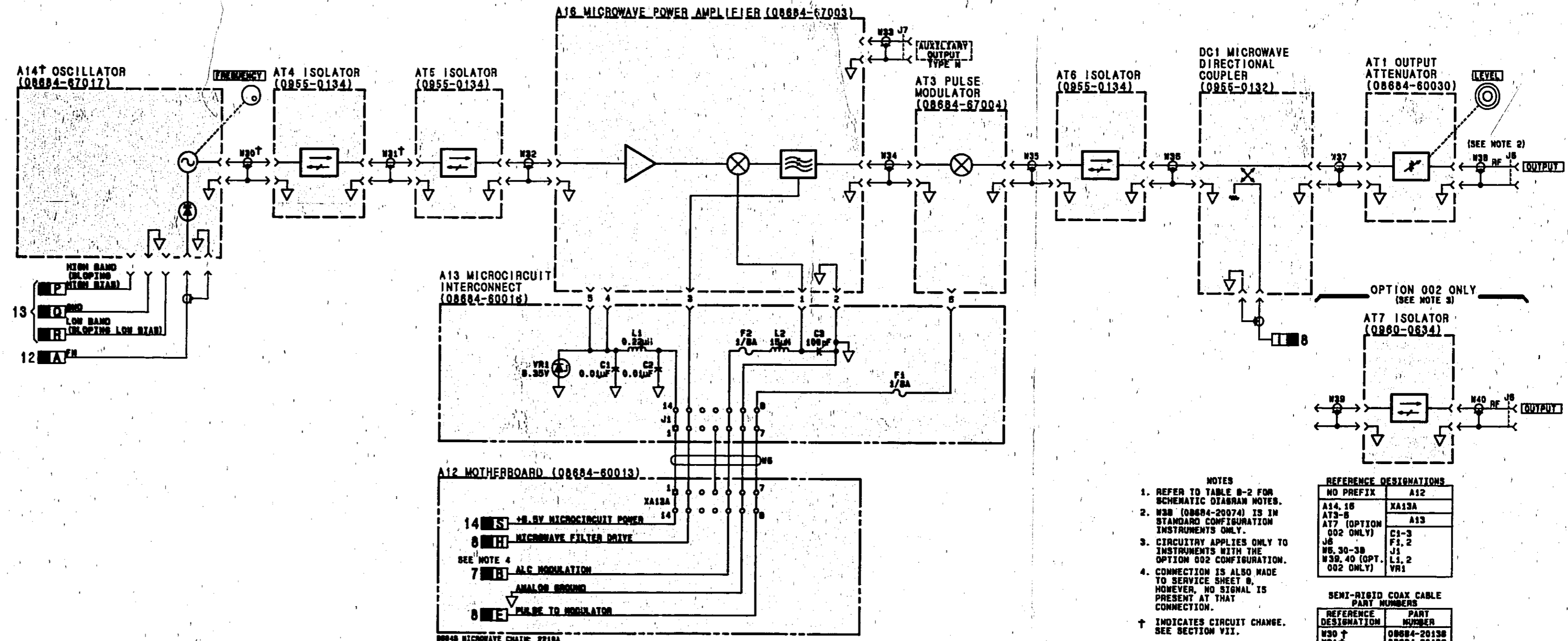
Careful selection of materials for the cavity parts helps to reduce frequency drift due to temperature. This selection includes the choice of various alloys that have complementary expansion coefficients with temperature.

Yet another way to look at the oscillator is as a coaxial transmission line with a short at one end. At the frequency of interest the line is less than 1/4 wavelength and appears as an inductive reactance. The other end is terminated with a capacit-

ance. The circuit is parallel resonant at the frequency where the capacitive reactance equals the inductive reactance. Tuning is done mainly by changing the position of the tuning probe, which changes the capacitance.

Oscillation is accomplished by coupling the FETs into the cavity in a positive feedback configuration. The signal is coupled into the output connector by a probe that protrudes in the cavity.

The oscillator can be frequency modulated. Two varactor diodes are coupled into the cavity via another probe. By changing bias voltage on the varactors, the net capacitance of the entire cavity is slightly changed. This changes the resonant frequency and thereby generates FM.



- NOTES**
- REFER TO TABLE B-2 FOR SCHEMATIC DIAGRAM NOTES.
 - N38 (Q8684-20074) IS IN STANDARD CONFIGURATION INSTRUMENTS ONLY.
 - CIRCUITRY APPLIES ONLY TO INSTRUMENTS WITH THE OPTION 002 CONFIGURATION.
 - CONNECTION IS ALSO MADE TO SERVICE SHEET 8, HOWEVER, NO SIGNAL IS PRESENT AT THAT CONNECTION.
- † INDICATES CIRCUIT CHANGE. SEE SECTION VII.

REFERENCE DESIGNATIONS

| NO PREFIX | A12 |
|-------------------------|-------|
| A14, 16 | XA13A |
| AT3-6 | A13 |
| AT7 (OPTION 002 ONLY) | C1-3 |
| J6 | F1, 2 |
| WS, 30-38 | J1 |
| N30, 40 (OPT. 002 ONLY) | L1, 2 |
| | VR1 |

SEMI-RIGID COAX CABLE PART NUMBERS

| REFERENCE DESIGNATION | PART NUMBER |
|-----------------------|-------------|
| N30 † | Q8684-20138 |
| N31 † | Q8684-20139 |
| N32, 34 | 1250-1788 |
| N33 | Q8684-20088 |
| N35 | 1250-1788 |
| N36 | Q8684-20078 |
| N37 | Q8684-20128 |
| N38 | Q8684-20074 |
| N39 | Q8684-20077 |
| N40 | Q8684-20078 |

BD2

Figure 8-18. Microwave Chain Block Diagram

SERVICE SHEET 1 P/O FRONT PANEL

PRINCIPLES OF OPERATION

General

The circuits shown on the schematic for this service sheet perform two functions: 1) It provides the means for the CPU to determine which key in the keyboard has been pressed. 2) It receives data and front panel device address information for use by the front panel latches, decoders, and LEDs.

Data Registers and Address Register. The data registers and address register perform two functions. They receive display data and front panel device address information. They also form part of the keyboard output circuitry.

Miscellaneous Register. This register receives keyboard and diagnostic information and shifts the information out to the CPU via the Front Panel Data Output line.

Address Decode. U17 and U18 decode the four front panel device address lines into eleven device select lines that enable data latches, displays, and display drivers.

J, L, and Miscellaneous Latches. These latches store data bits that drive annunciators and the decimal points in the seven segment displays. They also send function select signals to other areas of the Signal Generator.

Sending Data From the Keyboard

When any key is depressed, the associated 4700Ω resistor is connected to ground. This causes the base voltage of Q1 to drop to about 2.5 volts. Q1 saturates causing the Key Down line to go to a TTL high. The CPU checks the Key Down line approximately every 20 milliseconds and when a depressed key is sensed, the CPU sets the Front Panel Serial Parallel line low. Data from all keys is loaded into the registers upon the rising edge of the next clock pulse. When a key has been pressed, a TTL low will be loaded into the associated register flip-flop, otherwise, a TTL high will be loaded. After the keyboard data has been stored, the Front Panel Serial Parallel line is set high. The CPU then begins a routine whereby it checks the Front Panel Data Output line for the presence of a TTL low and shifts in the next bit of key data if no TTL low is detected. This sequence will continue until a TTL low is detected. By keeping track of the number of read/shift operations performed, the CPU can identify which key has been pressed.

Receiving Data From the CPU

The CPU sends a bit string to the front panel consisting of four front panel device address bits and eight bits of data. When data is sent from the CPU to the front panel board, the Front Panel Serial Parallel line is set high. The data is shifted into the address and data registers via the Front Panel Input line on the rising edges of the next twelve Front Panel Clock pulses. After all data is shifted in, the Front Panel Strobe is pulsed low. This enables the Address Decode ICs and the four front panel device address lines are decoded to select one of the eleven device select lines. Data stored in the Data Registers is then loaded into the selected latch or binary to seven segment decoder.

SERVICE SHEET 1 (cont'd)

TROUBLESHOOTING

This troubleshooting procedure assumes that the CPU board is working properly.

1. Turn the instrument off and back on to cause the turn-on diagnostic tests to be performed. Watch the modulation display for error numbers and watch the first decimal point in the output level display. If the microprocessor detects a front panel error, it will flash the decimal point a number of times equal to the error number. If there are no error messages continue with this procedure, otherwise investigate possible front panel problems according to Table 8-13.

Table 8-13. Front Panel Errors

| Error Code | Problem | Check |
|------------|---------------------|--|
| E05 | A1U22 outputs wrong | A1U22, A1U16 and A1R5 |
| E06 | A1U5 outputs wrong | A1U5, A1U16, A1U22 or A1R5 |
| E07 | A1U21 outputs wrong | A1U21, U16, U22, U5, U21, R5-R8 |
| E08 | A1U24 outputs wrong | A1U16, U22, U5, U21, U24. Could be caused by A9U12, A9U6, A9U2 or A9U3 |

If the error code is one not shown here, return to Block Diagram 1 troubleshooting to look at the error code table there.

During the next three steps, other components will be checked. If an improper response is noted, go to the schematic to isolate the particular failure seen.

2. Press the FM INT key and then the AM EXT key. Press the MHz FM, dB REL, CABLE OFFSET, and INT PULSE keys. Verify that the key LEDs light. If all are correct, then A1U5 parallel input is functioning correctly.
3. Press the EXT TRIG, EXT PULSE, INT 1 kHz and EXT AM keys. Watch for proper response on the front panel lamps and displays. If all are correct, then A1U21 parallel input is functioning correctly.
4. Press the INT \sim , EXT 1 MHz/V, EXT 10 MHz/V and dBm display mode keys. Watch for proper response on the front panel lamps and displays. If all are correct, then A1U24 is probably functioning correctly.
5. Observe the decimal point in the frequency display; it should be after the second digit and should be lit continuously. The decimal point in the level display should be after the third digit. If a decimal point is not lit, replace the LED display, after first checking the input voltage on the decimal point drive input (pin 6 on the display). Since the decimal point of some displays is not needed, moving the display into another position is a valid alternative. Check the schematic to determine which display position does not use the decimal point before moving it.

SERVICE SHEET 1 (cont'd)

6. Slowly tune the frequency while observing the numbers shown in the frequency display. Make sure each digit can display odd and even numbers and that there are no segments or numbers that can not be obtained. Because of the limited resolution of the analog to digital converter, there are some frequencies that can not be displayed. For example, if you try to tune 6000 MHz you may only be able to display 5999 or 6001 MHz. The oscillator tunes continuously but the display has gaps. If all numbers from zero to nine can be displayed on all digits (except the most significant digit) then the LED displays and the data pathway from the microprocessor are functioning correctly. If there are problems, go to Service Sheet 10 to check the operation of the FREQUENCY potentiometer and the following frequency shaping circuits. If that circuitry is working properly, go to Service Sheet 2 to troubleshoot the LED frequency display and decoders.

HOW TO REMOVE THE FRONT PANEL BOARD

1. Remove the top and bottom covers. Remove the knobs for FREQUENCY, LEVEL range and LEVEL vernier and the three Pulse vernier knobs. Note the positions of the markings on the knobs so they can be reinstalled in the same position. Remove the collar from the front of the LEVEL vernier shaft. This requires a 0.050 inch Allen wrench.
2. Remove the C-washer retaining ring from the shaft that goes to the range potentiometer, R6. Pull straight back on the LEVEL potentiometers to remove them. Disconnect the cable attaching the potentiometers to the motherboard and set the assembly aside.
3. Remove the three screws, accessible through access holes, that hold the attenuator drive gear assembly in place. Set the screws and the three spacers aside. DO NOT remove the three flat head screws from the gear assembly.
4. Remove the four screws that hold the front frame to the four corner struts. Slide the front frame out far enough to clear the end of the frequency tuning shaft.
5. Remove the four screws holding the insulating sheet in place. Note that the two longer screws are used to hold the cable clamps in place. Set the sheet aside.
6. Remove W1, the ribbon cable, from A1J1. Remove the remaining four screws that hold the board to the front panel.

P/O A1 FRONT PANEL ASSEMBLY

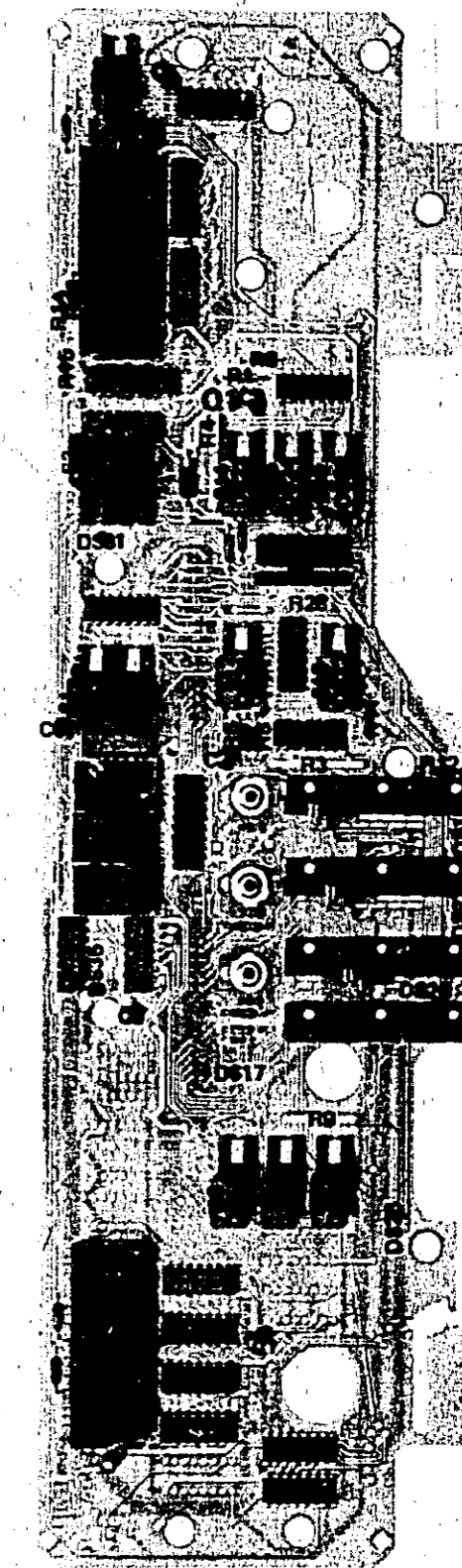


Figure 8-19. Front Panel Component Locations

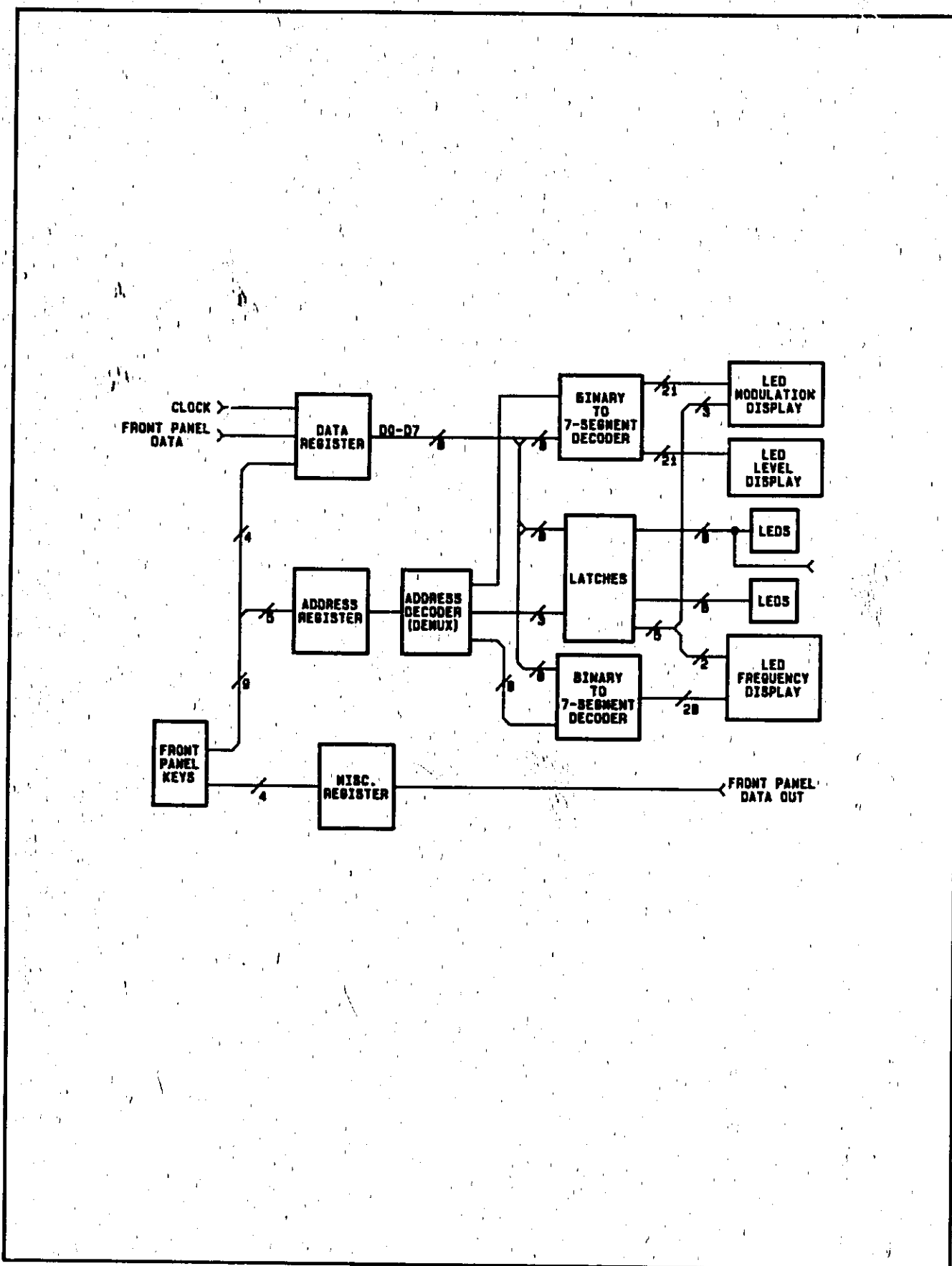


Figure 8-20. Front Panel Simplified Block Diagram

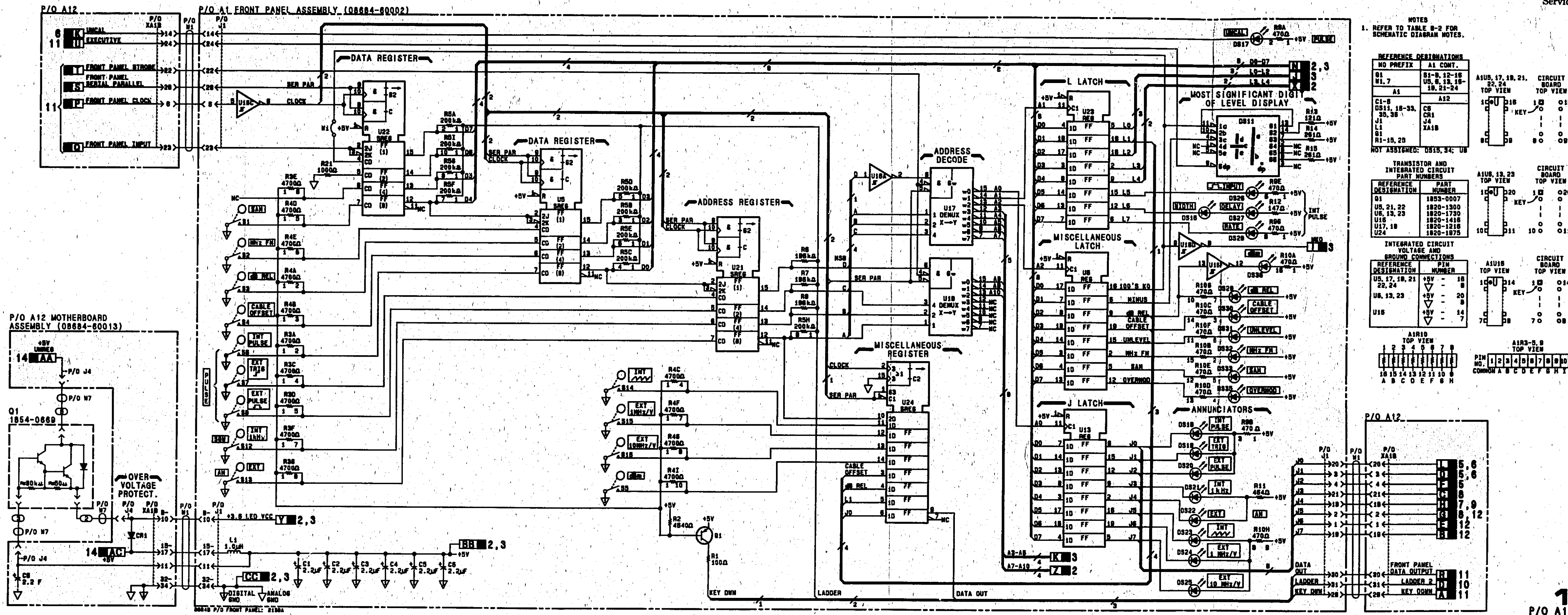


Figure 8-21. P/O Front Panel Schematic Diagram

NOTES
1. REFER TO TABLE B-2 FOR SCHEMATIC DIAGRAM NOTES.

| REFERENCE DESIGNATIONS | | A1 COMT. | |
|------------------------|---------------------|---------------------|------------------------|
| NO PREFIX | A1 | A12 | |
| 01 | DS1, 18-21, 22, 24 | DS1, 18-21, 22, 24 | CIRCUIT BOARD TOP VIEW |
| 02 | DS2, 18-21, 22, 24 | DS2, 18-21, 22, 24 | CIRCUIT BOARD TOP VIEW |
| 03 | DS3, 18-21, 22, 24 | DS3, 18-21, 22, 24 | CIRCUIT BOARD TOP VIEW |
| 04 | DS4, 18-21, 22, 24 | DS4, 18-21, 22, 24 | CIRCUIT BOARD TOP VIEW |
| 05 | DS5, 18-21, 22, 24 | DS5, 18-21, 22, 24 | CIRCUIT BOARD TOP VIEW |
| 06 | DS6, 18-21, 22, 24 | DS6, 18-21, 22, 24 | CIRCUIT BOARD TOP VIEW |
| 07 | DS7, 18-21, 22, 24 | DS7, 18-21, 22, 24 | CIRCUIT BOARD TOP VIEW |
| 08 | DS8, 18-21, 22, 24 | DS8, 18-21, 22, 24 | CIRCUIT BOARD TOP VIEW |
| 09 | DS9, 18-21, 22, 24 | DS9, 18-21, 22, 24 | CIRCUIT BOARD TOP VIEW |
| 10 | DS10, 18-21, 22, 24 | DS10, 18-21, 22, 24 | CIRCUIT BOARD TOP VIEW |
| 11 | DS11, 18-21, 22, 24 | DS11, 18-21, 22, 24 | CIRCUIT BOARD TOP VIEW |
| 12 | DS12, 18-21, 22, 24 | DS12, 18-21, 22, 24 | CIRCUIT BOARD TOP VIEW |
| 13 | DS13, 18-21, 22, 24 | DS13, 18-21, 22, 24 | CIRCUIT BOARD TOP VIEW |
| 14 | DS14, 18-21, 22, 24 | DS14, 18-21, 22, 24 | CIRCUIT BOARD TOP VIEW |
| 15 | DS15, 18-21, 22, 24 | DS15, 18-21, 22, 24 | CIRCUIT BOARD TOP VIEW |
| 16 | DS16, 18-21, 22, 24 | DS16, 18-21, 22, 24 | CIRCUIT BOARD TOP VIEW |
| 17 | DS17, 18-21, 22, 24 | DS17, 18-21, 22, 24 | CIRCUIT BOARD TOP VIEW |
| 18 | DS18, 18-21, 22, 24 | DS18, 18-21, 22, 24 | CIRCUIT BOARD TOP VIEW |
| 19 | DS19, 18-21, 22, 24 | DS19, 18-21, 22, 24 | CIRCUIT BOARD TOP VIEW |
| 20 | DS20, 18-21, 22, 24 | DS20, 18-21, 22, 24 | CIRCUIT BOARD TOP VIEW |
| 21 | DS21, 18-21, 22, 24 | DS21, 18-21, 22, 24 | CIRCUIT BOARD TOP VIEW |
| 22 | DS22, 18-21, 22, 24 | DS22, 18-21, 22, 24 | CIRCUIT BOARD TOP VIEW |
| 23 | DS23, 18-21, 22, 24 | DS23, 18-21, 22, 24 | CIRCUIT BOARD TOP VIEW |
| 24 | DS24, 18-21, 22, 24 | DS24, 18-21, 22, 24 | CIRCUIT BOARD TOP VIEW |

TRANSISTOR AND INTEGRATED CIRCUIT PART NUMBERS

| REFERENCE DESIGNATION | PART NUMBER |
|-----------------------|-------------|
| 01 | 1854-0869 |
| 02 | 1854-0869 |
| 03 | 1854-0869 |
| 04 | 1854-0869 |
| 05 | 1854-0869 |
| 06 | 1854-0869 |
| 07 | 1854-0869 |
| 08 | 1854-0869 |
| 09 | 1854-0869 |
| 10 | 1854-0869 |
| 11 | 1854-0869 |
| 12 | 1854-0869 |
| 13 | 1854-0869 |
| 14 | 1854-0869 |
| 15 | 1854-0869 |
| 16 | 1854-0869 |
| 17 | 1854-0869 |
| 18 | 1854-0869 |
| 19 | 1854-0869 |
| 20 | 1854-0869 |
| 21 | 1854-0869 |
| 22 | 1854-0869 |
| 23 | 1854-0869 |
| 24 | 1854-0869 |

INTEGRATED CIRCUIT VOLTAGE AND GROUND CONNECTIONS

| REFERENCE DESIGNATION | PIN NUMBER | VOLTAGE |
|-----------------------|------------|---------|
| 01 | 18 | +5V |
| 02 | 18 | +5V |
| 03 | 18 | +5V |
| 04 | 18 | +5V |
| 05 | 18 | +5V |
| 06 | 18 | +5V |
| 07 | 18 | +5V |
| 08 | 18 | +5V |
| 09 | 18 | +5V |
| 10 | 18 | +5V |
| 11 | 18 | +5V |
| 12 | 18 | +5V |
| 13 | 18 | +5V |
| 14 | 18 | +5V |
| 15 | 18 | +5V |
| 16 | 18 | +5V |
| 17 | 18 | +5V |
| 18 | 18 | +5V |
| 19 | 18 | +5V |
| 20 | 18 | +5V |
| 21 | 18 | +5V |
| 22 | 18 | +5V |
| 23 | 18 | +5V |
| 24 | 18 | +5V |

AIR19 TOP VIEW
PIN NO. 1 2 3 4 5 6 7 8
A B C D E F G H

AIR3-B.9 TOP VIEW
PIN NO. 1 2 3 4 5 6 7 8 9 10
A B C D E F G H I

SERVICE SHEET 2 P/O FRONT PANEL

PRINCIPLES OF OPERATION

General

The schematic diagram on this service sheet shows the frequency display and related circuitry. The seven segments of the displays are driven by binary-to-seven-segment decoders. The decimal points are driven by the L3 and L4 data lines.

Binary to Seven Segment Decoders

After the address and data information is shifted into U5, U21, and U22 (see Service Sheet 1), the decoders for the two most significant digits in the display are addressed. Data on the eight data lines at that instant is in the form of two four-bit binary groups representing the information to be displayed in the two most significant digits. The four bit code on data lines D0-D3 is decoded by U10 and the four bit code on data lines D4-D7 is decoded by U9. After the information is decoded and latched, the two least significant digits are addressed and display data is latched into them.

TROUBLESHOOTING

1. Observe the frequency display while changing frequency. If non-adjacent numbers in the display seem to track one another, check for the possibility of a data line that does not change state or a data latch that is permanently enabled.
2. Tune the frequency control to the lowest frequency obtainable. The display should indicate <5.400 GHz and be stable. If the display is not stable, go to Service Sheet 10 to troubleshoot problems with R1, the frequency potentiometer, and associated components.
3. Slowly tune the frequency while watching the least significant digit. Numbers from 0 through 9 should be obtainable, although there may be gaps due to the limitation of the analog to digital converter. The intent here is to be sure all numbers can be stored and displayed.
4. Repeat number observation for the next digit. If some numbers cannot be displayed in all positions, go to Service Sheet 1 to troubleshoot possible problems with data registers A1U22 and A1U5. Otherwise continue to the next step.
5. Tune from 5.4 to 12.5 GHz while observing the two most significant digits of the frequency display. Make sure all appropriate numbers can be displayed. If some numbers cannot be displayed, use the schematic to troubleshoot the latches and displays.

P/O A1 FRONT PANEL ASSEMBLY

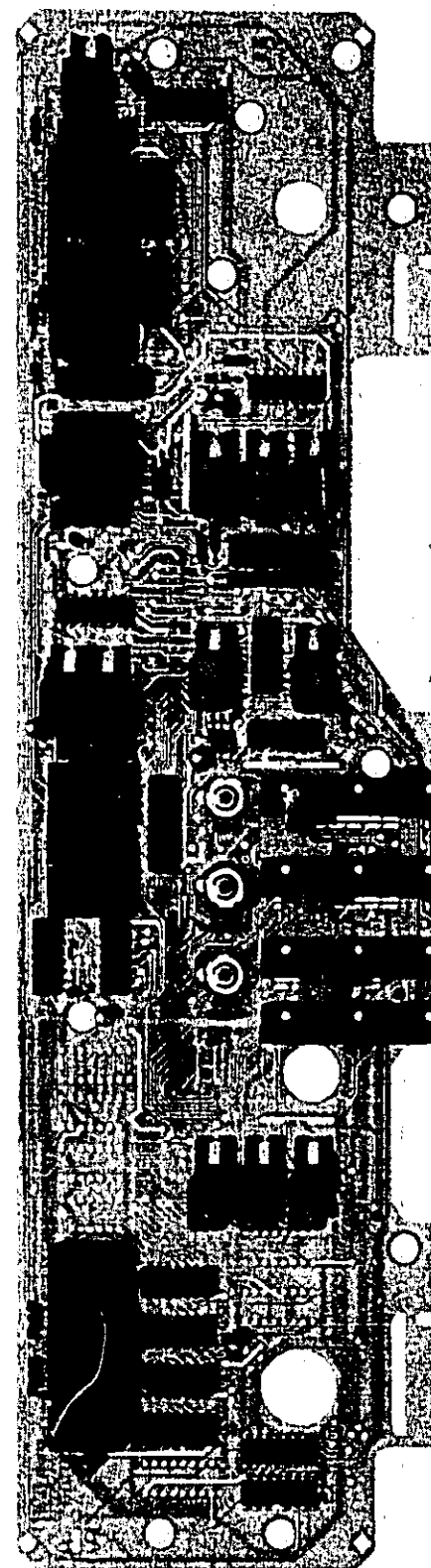


Figure 8-22. Front Panel Component Locations

← P/O Front Panel
P/O A1
SERVICE SHEET →

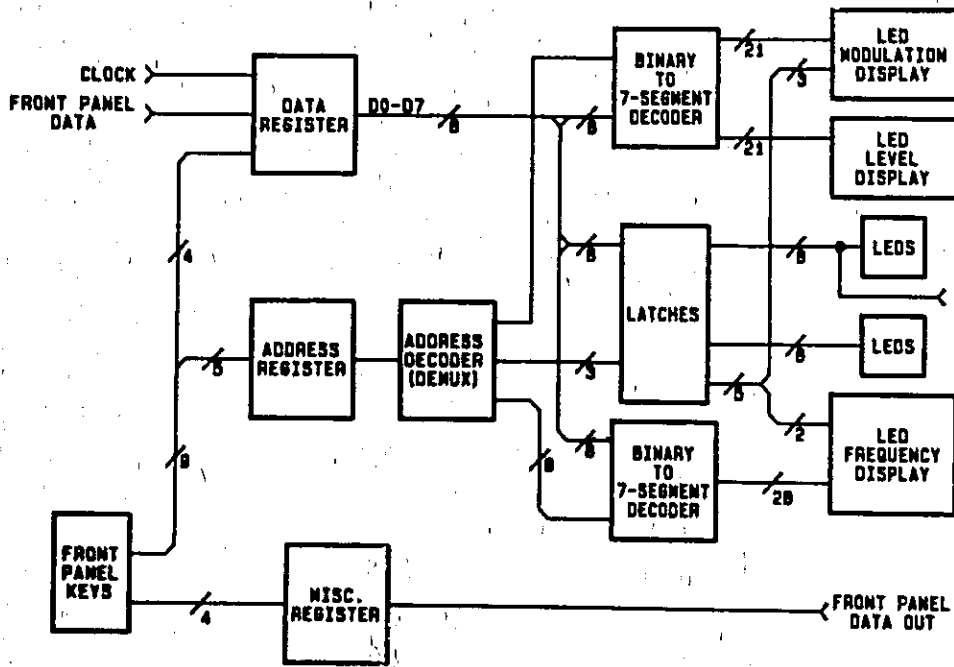
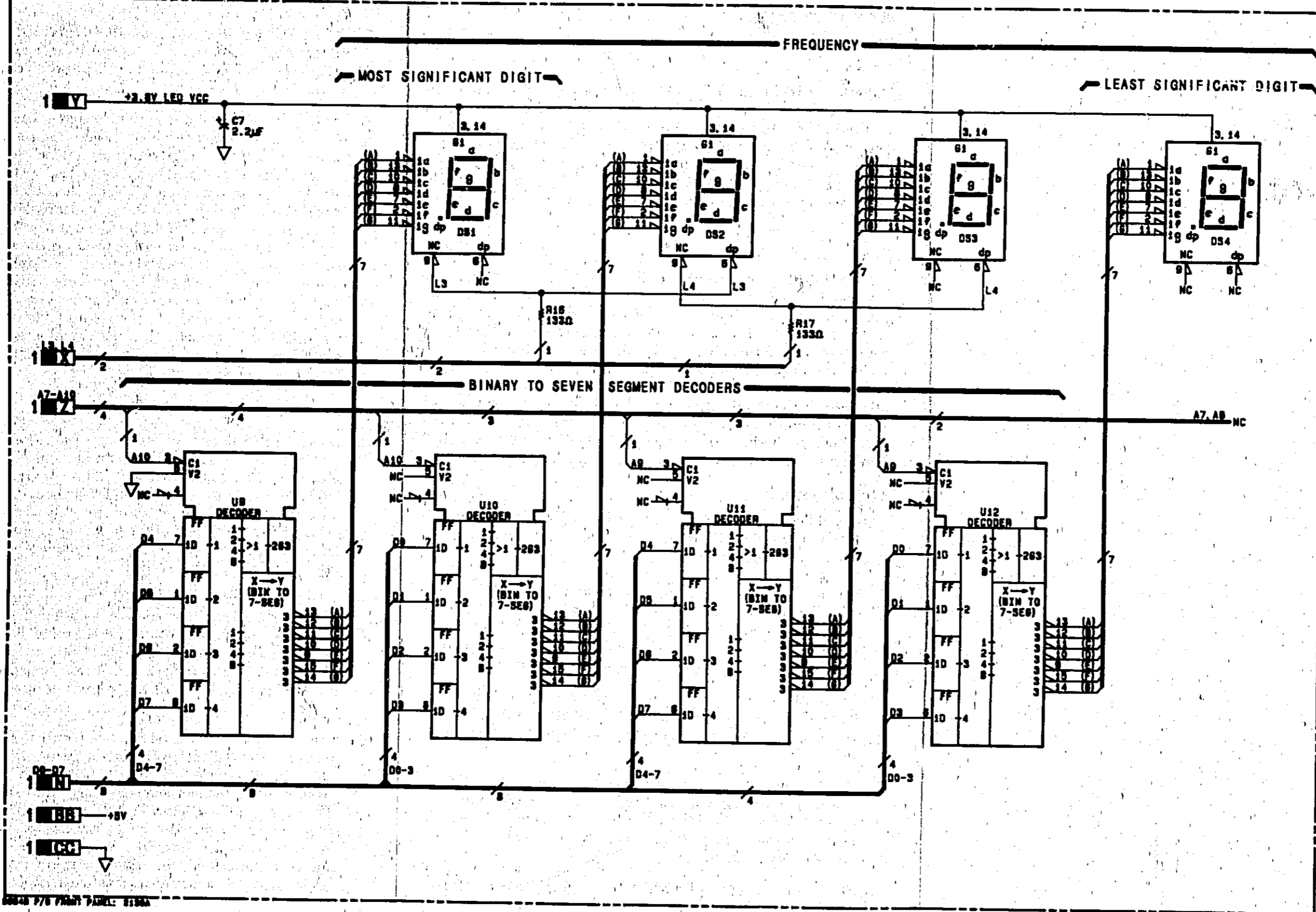


Figure 8-23. Front Panel Simplified Block Diagram

P/O A1 FRONT PANEL ASSEMBLY (08684-80002)



NOTES
1. REFER TO TABLE B-2 FOR SCHEMATIC DIAGRAM NOTES.

REFERENCE DESIGNATIONS

| REFERENCE DESIGNATION | PART NUMBER |
|-----------------------|-------------|
| A1 | |
| C7 | |
| DS1-4 | |
| R15, 17 | |
| U9-12 | |

NOT ASSIGNED: DS5-7; U1, 13, 14

SEVEN SEGMENT DISPLAYS AND INTEGRATED CIRCUIT PART NUMBERS

| REFERENCE DESIGNATION | PART NUMBER |
|-----------------------|-------------|
| DS1-4 | 1890-0511 |
| U9-12 | 1820-1351 |

INTEGRATED CIRCUIT VOLTAGE AND GROUND CONNECTIONS

| REFERENCE DESIGNATION | VOLTAGE | PIN NUMBER |
|-----------------------|---------|------------|
| U9-12 | +5V | 16 |
| | Ground | 8 |

2
P/O A1

Figure 8-24. P/O Front Panel Schematic Diagram

SERVICE SHEET 3 P/O FRONT PANEL

PRINCIPLES OF OPERATION

General

The schematic diagram on this service sheet shows the modulation and level displays and related circuitry. Operation of the circuitry on this service sheet is similar to the operation of the circuitry on Service Sheet 2. The display segments are driven by binary-to-seven-segment decoders. The decimal points in the modulation display are driven by the L0, L1, and L2 data lines. The decimal point in the level display is fixed to one decimal place via a 133Ω resistor to ground.

Binary to Seven Segment Decoders

U2 and U4, the decoders that drive the two least significant digits of the modulation display, are enabled via the same device select line. The same is true of U7 and U15, the decoders that drive the two least significant digits of the level display. Data to be decoded by these devices is in the form of two four-bit binary groups that exist on the eight data lines. The four lower order data bits go to one decoder in an addressed pair while the four higher order data bits go to the other decoder in the addressed pair. The decoders that drive the most significant digit in both displays have an extra control line. When this line is set high, the associated display digits will be blanked. Leading zeroes to the left of the decimal point will be blanked.

TROUBLESHOOTING

This troubleshooting procedure should be used in conjunction with the information included on Service Sheets 1 and 2 since they all involve the same circuit board.

1. Set the LEVEL controls (both range and vernier) fully clockwise. The LEVEL display should read 15.0 and the lamp in the dBm key should be on. If the dB REL lamp is on, press the dBm key to change display modes. If the proper mode cannot be selected, go to Service Sheet 1 to continue troubleshooting.
2. Rotate the range and vernier controls fully counterclockwise. The LEVEL display should read -130.0 dBm. If the display is correct for steps 1 and 2, continue to the next step, otherwise go to step 7.
3. Rotate the range switch while watching the LEVEL display. The display should change in exactly 10 dB increments up to -10 dBm. There should be a 10 dB change for each click of the switch. If the display changes correctly, continue to the next step. Otherwise go to step 14.
4. Slowly rotate the vernier while watching the LEVEL display. The display should change in 0.1 dB increments up to +15 dBm. All power levels in this range should be obtainable. Watch the least significant digit to be sure there are no gaps. If all is correct, continue to the next step, otherwise go to step 17.

SERVICE SHEET 3 (cont'd)

5. Select EXTERNAL AM. The MODULATION display should indicate 0.0 and the lamp in the % AM key should be on. Set the RF power level to 0 dBm so there is no possibility of unleveling in the following step.
6. Connect a test oscillator to the AM INPUT connector. Set the AM vernier fully clockwise. Set the test oscillator to 1 kHz at 0.8 Vrms. The MODULATION display should read 99.9% and the OVERMOD lamp should be on. Reduce the test oscillator output slowly. At approximately 0.7 Vrms the number shown in the modulation display should begin decreasing. The display should decrease in 0.1 or 0.2 increments as the input voltage is dropped. The resolution will depend on the resolution of the DAC on the A8 I/O board. Observe the display to be sure all numbers can be displayed. It may not be possible to get all the way down to 0.0% with a modulation source attached. If all is correct up to this step, it appears that the board is working properly and that much of the instrument is working. If there is a problem with the instrument, go to troubleshooting for Block Diagram 1 to help isolate it.
7. Select Test 08 to test the attenuator potentiometer. Rotate the LEVEL range switch fully clockwise. The FREQUENCY display should read about 0.9 Vdc. Rotate the range switch counterclockwise. The voltage should rise about 0.6 to 0.7 volts per step up to about 8.8 Vdc at the lowest power setting. If these voltages are stable and of the proper level, go to the next step. Otherwise go to Service Sheet 10 to troubleshoot problems with R6 or the circuitry that reads it.
8. Select Test 09 to test the LEVEL vernier potentiometer. Rotate the LEVEL vernier fully counterclockwise. The FREQUENCY display should read 0.0 Vdc and be stable. Rotate the vernier fully clockwise. The display should rise smoothly up to about 10.23 Vdc. If the voltages are incorrect, go to Service Sheet 7 to troubleshoot R7, the LEVEL vernier, and the circuitry that reads it.
9. Carefully observe the level display. If only the most significant digit of the level display is incorrect, go to Service Sheet 1. If the least significant and the tens digits are both incorrect, but not the units digit, the problem is probably due to a malfunction on the input data bus. Select Test 30 to test A1U5, U21 and U22. These are the latches involved with the storage of data on the front panel board. Other flip-flops and latches are also tested by this procedure. If all the flip-flops being tested are working properly, the frequency display should read -OP-. Otherwise the display should give two numbers, the first being the reference designator of the board and the second being the reference designator of a specific integrated circuit. If the failure is in one of the front panel data latches, the frequency display may be incorrect. If this is the case, use an external terminal attached to

SERVICE SHEET 3 (cont'd)

- the edge connector labeled RS232 on the CPU board to get information without using the front panel board. See the introductory material at the beginning of Section VIII for information on the use of this connector.
10. Remove the front panel to allow access to the back of the front panel board. This removal is accomplished by removing all screws under the top trim strip and three screws on the bottom of the frame. Also remove the frequency tuning knob and disconnect the blue, brown and yellow coax cables. Carefully slide the front panel forward and support it at a 45 degree angle so the back can be reached. Remove the insulating board mounted on the back of the front panel board.
11. Set the LEVEL range and vernier fully clockwise, which should be 15.0 dBm, although the display may not show it. If the display is correct go to step 13. Otherwise continue with this step. Use a voltmeter to look at the signals driving the displays. The following lines should read 2 Vdc: A1DS12 pins 10 and 13; DS13 pins 1, 2, 8, 10, and 11; DS14 pins 1, 2, 7, 8, 10, and 13. Drive inputs not listed should be at about 2.5 Vdc. If these are correct, measure pins 3 and 14 to be sure 3.6 Vdc is present. If all is correct, replace the defective LED display. Otherwise replace the defective decoder, A1U14, U15 or U7 depending on which digit is incorrect, or troubleshoot the power supply if there is a problem with the 3.6 Vdc supply.
12. Change the range and vernier controls to find an incorrect level display. Probe the input data lines into the LED displays to isolate the malfunction to the display or the decoder. Note the lettering adjacent to each segment of the LED display on the schematic. The input line with the same letter should be high to turn that segment on. If you cannot find an incorrect display, you have taken an incorrect branch to get to this step. Return to step 1 and retest the MODULATION and LEVEL displays.
13. If the level display doesn't change each time the switch is clicked, go to step 16.
14. Observe the display while changing power levels to determine if the fault is due to a problem with a display segment or with a data input line. In other words, is a display segment stuck on/off or is there an offset from the expected digit that could be attributed to a stuck line on the data bus? If the problem is a stuck segment go to step 12. If the problem appears to be a stuck data line go to step 9.
15. Note where the display does not change. If the problem is at one end or the other of the power range, there is likely a problem with R6, the range potentiometer or with the circuitry that reads it.

SERVICE SHEET 3 (cont'd)

Check the voltage range of the potentiometer using Test 08. The range should be as shown in step 7.

16. Select Test 32 to check the ability of the front panel displays to show all possible numbers. All digits of the display should cycle continuously through the following sequence:
0 . . 1 . . 2 . . 3 . . 4 . . 5 . . 6 . . 7 . . 8 . . 9 . . E . . H . . L . . P
If the entire sequence can be displayed in the LEVEL display, go to Service Sheet 7 to troubleshoot LEVEL vernier problems.
17. Select NORMal mode on the service switch. Observe the display while changing vernier levels to determine if the fault is due to a problem with a display segment or with a data input line. In other words, is a display segment stuck on/off or is there an offset from the expected digit that could be attributed to a stuck line on the data bus? If the problem is a stuck segment go to step 12. If the problem appears to be a stuck data line go to step 9.

P/O A1 FRONT PANEL ASSEMBLY

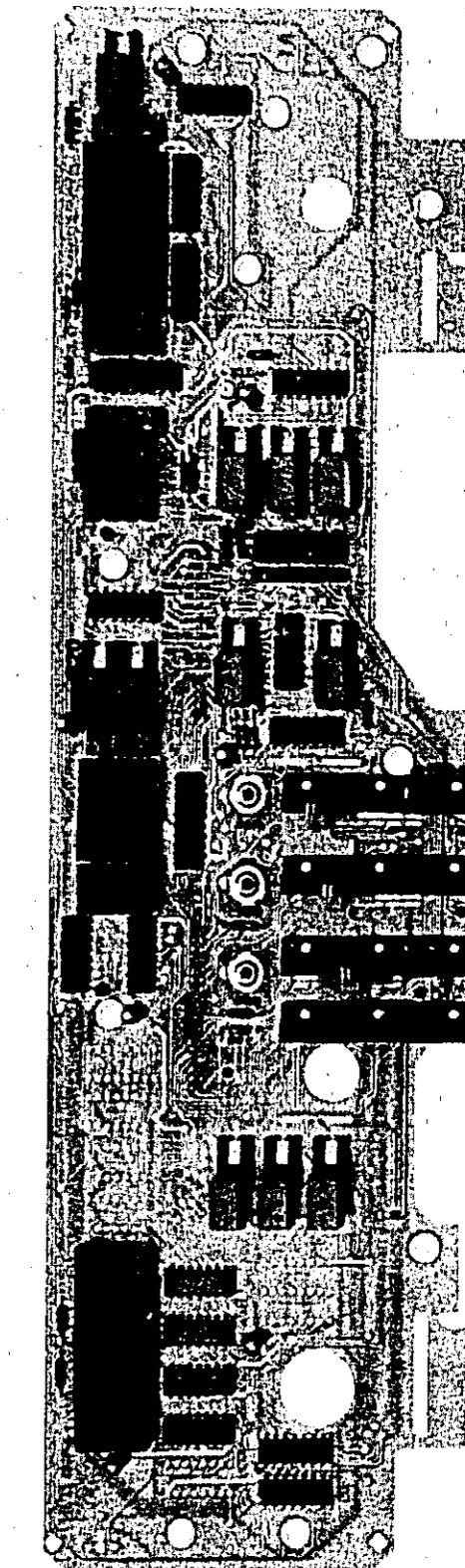


Figure 8-25. Front Panel Component Locations

P/O Front Panel
P/O A1
SERVICE SHEET

2

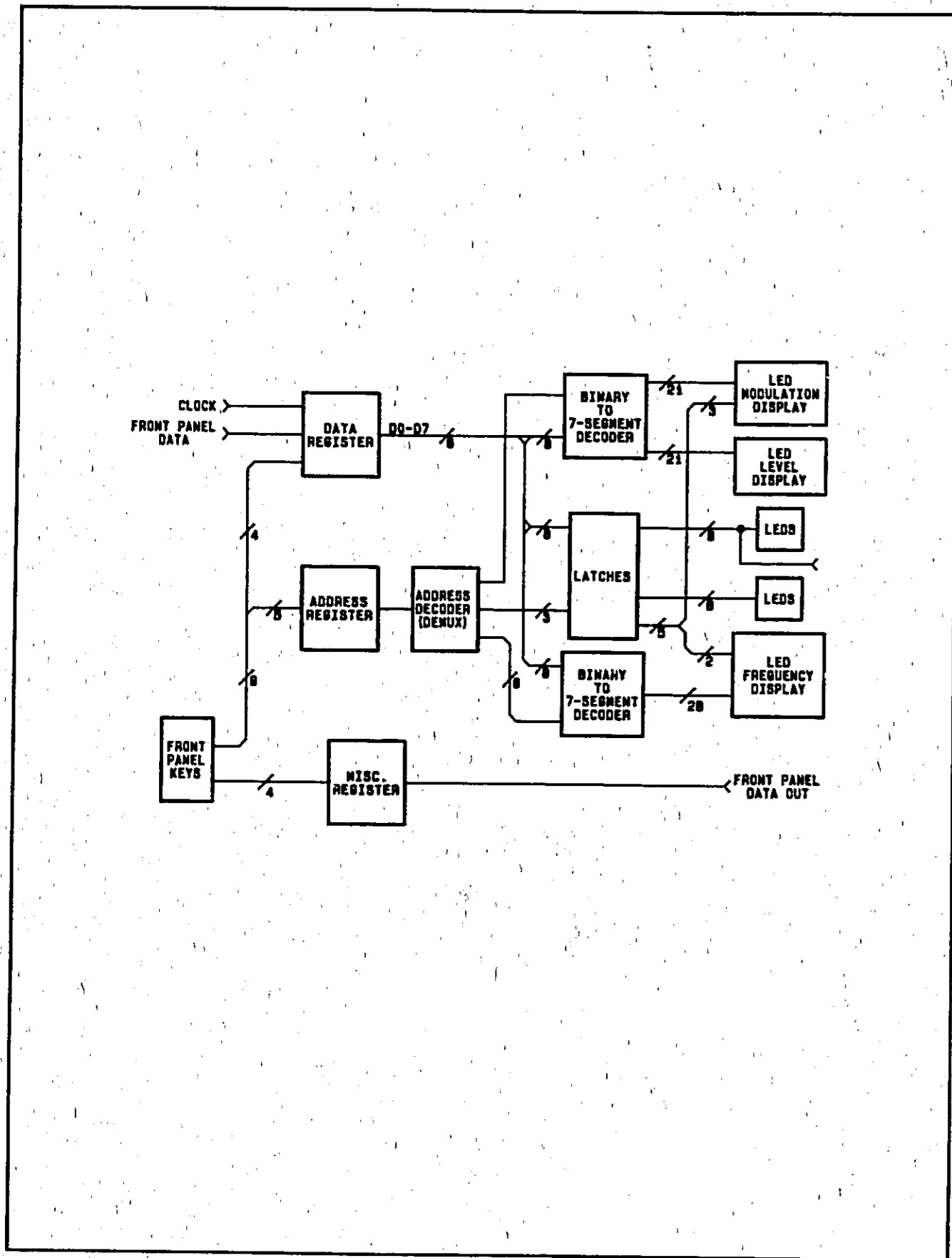
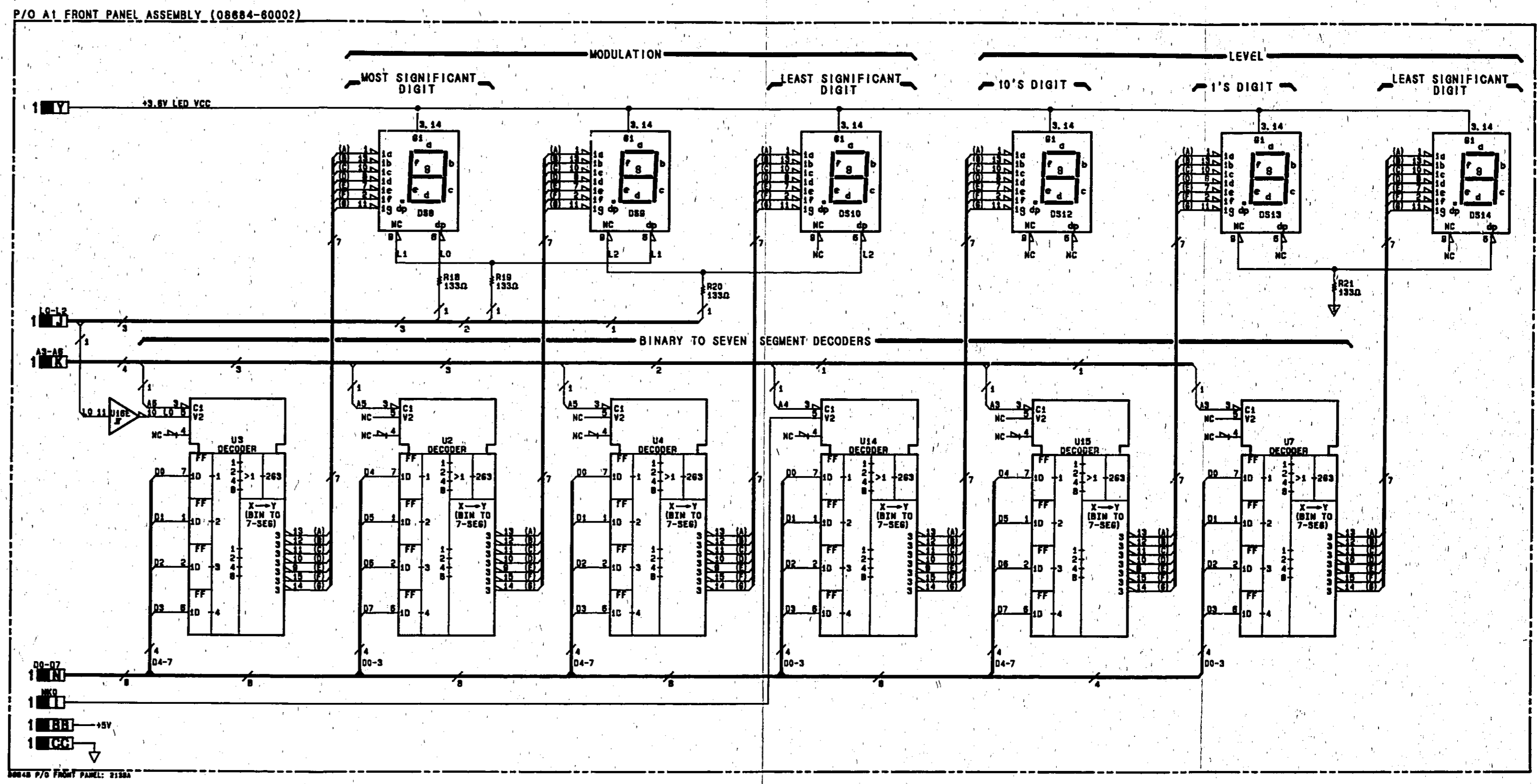


Figure 8-26. Front Panel Simplified Block Diagram



8684B P/O FRONT PANEL: 2152A

Figure 8-27. P/O Front Panel Schematic Diagram

NOTES
1. REFER TO TABLE 8-2 FOR SCHEMATIC DIAGRAM NOTES.

| REFERENCE DESIGNATIONS | |
|------------------------|-------------|
| DESIGNATION | PART NUMBER |
| A1 | |
| DS8-10, 12-14 | |
| R18-21 | |
| U2-4, 7, 14-15 | |

| SEVEN SEGMENT DISPLAYS AND INTEGRATED CIRCUIT PART NUMBERS | |
|--|-------------|
| REFERENCE DESIGNATION | PART NUMBER |
| DS8-10, 12-14 | 1890-0511 |
| U2-4, 7, 14, 15 | 1820-1381 |
| U16 | 1820-1418 |

| INTEGRATED CIRCUIT VOLTAGE AND GROUND CONNECTIONS | |
|---|--------------------------------|
| REFERENCE DESIGNATION | VOLTAJE AND GROUND CONNECTIONS |
| U2-4, 7, 14, 15 | +5V - 18 |
| | 0V - 8 |
| U16 | +5V - 14 |
| | 0V - 7 |

SERVICE SHEET 4

PULSE RATE GENERATOR

PRINCIPLES OF OPERATION

General

The A2 Pulse Rate Assembly generates a series of narrow pulses which determine the number of pulses per second generated by the overall pulse system. It takes the settings of the front panel Pulse RATE range switch and RATE vernier as inputs and generates three output signals. The three signals are Internal Sync(hronizing pulse), Sync Output, and *Rate OK. There is also a pair of inputs that allow the pulse output to correspond to an external trigger, rather than the front panel settings.

Ramp Capacitor Selection

The front panel Pulse RATE switch selects one of several resistor and capacitor pairs which range in value from 1 M Ω in parallel with 10 μ F down to 1 M Ω in parallel with 680 pF. These pairs determine the frequency of a free running oscillator made up of Q1, Q4, Q10, and Q14.

Pulse Rate Generator

A sawtooth is produced by the oscillator (output of Q4). It has a fast leading edge and a slow trailing edge. To begin the sawtooth cycle, the capacitor chosen with the front Panel Pulse RATE switch is discharged to zero. Transistors Q10 and Q4 will turn on and send a large, instantaneous surge of current through diode CR3 to charge the capacitor. When the capacitor becomes charged, the current through Q10, and consequently the voltage drop across R18, will decrease. This causes the base-emitter voltage of Q4 to drop, suddenly cutting off base drive to Q10. Q10 is then turned off. The voltage provided by Q14, the recharge transistor, determines the capacitor voltage at which Q10 turns off.

After Q10 is turned off, the capacitor is discharged through Q1. When the capacitor voltage gets low enough, Q10 and Q4 will turn on again and the cycle will continue. The speed at which Q1 discharges the capacitor is determined by the setting of the front panel RATE Vernier control. This control sets the base voltage on Q1 and thus determines the amount of current flowing through it.

Trigger Pulse Shaper

The Internal Sync output from the Pulse Rate assembly is not a sawtooth but a narrow synchronizing pulse. This is obtained from the sawtooth by using an inductive load on the collector of Q2, which differentiates the sawtooth so there are two narrow pulses fed into Q18; one on the rising edge and one on the falling edge of the sawtooth. The bias of Q18 is set so it will only be turned on by one of the narrow pulses (since one is positive going and the other is negative going). This strips off one of the pulses and leaves the other to be amplified and sent to the front panel and to the Pulse Delay Generator board. The width of this synchronizing pulse is about 20 ns making it difficult to see on an oscilloscope, but wide enough to trigger the delay generator or an oscilloscope.

SERVICE SHEET 4 (cont'd)

TROUBLESHOOTING

NOTE

The accuracy of the pulse generator is $\pm 20\%$ of full scale. Keep this in mind while following this procedure.

1. Select INTERNAL Pulse mode and attach an oscilloscope to the SYNC output connector. Set the pulse WIDTH and DELAY controls (switches and verniers) to minimum. Set the pulse RATE switch to 100 kHz and the RATE vernier to 10. Synchronizing pulses should occur every 1 μ s with a width of about 20 ns and amplitude of about 2V peak or greater. If no pulses occur, go to step 11 to continue troubleshooting. If there are pulses but at the wrong rate, troubleshoot Q9, Q1, and associated components.
2. Rotate the RATE vernier control clockwise while observing the pulses on the oscilloscope. The synchronizing pulses should become further apart while rotating and should be 10 μ s apart when the control is set to 1. If all is correct, continue to the next step, otherwise troubleshoot Q1 and associated components.
3. Set RATE switch to 10 kHz position and RATE vernier to 10. The sync pulses should occur every 10 μ s. If all is correct, continue to the next step, otherwise troubleshoot Q8 and related components.
4. Set RATE switch to 1 kHz. The pulses should occur every 100 μ s. The oscilloscope trace may start to get a little dim and the pulses may be hard to see because they are narrow compared to the repetition rate. If all is correct, continue to the next step, otherwise troubleshoot Q7 and related components.
5. Set RATE switch to 100 Hz. The pulses should occur every 1 ms. If all is correct, continue to the next step, otherwise troubleshoot Q6 and related components.
6. Set RATE switch to 10 Hz. Operation of the circuit may be verified by watching the oscilloscope being triggered at a 100 Hz rate, slowing to 10 Hz as the RATE vernier is rotated clockwise. If all is correct, continue to the next step; otherwise troubleshoot Q5 and related components.
7. Remove the instrument top cover and install the A2 Pulse Rate assembly on an extender board. Using a low capacitance probe, observe the Internal Sync pulse at edge connector pin 36 (or at the collector of Q15, whichever is more convenient). Set the pulse RATE switch to 10 kHz and vernier to 10. Narrow sync pulses of 20 ns width and amplitude of about 2.5V peak should be visible. If all is correct, continue to the next step, otherwise troubleshoot Q15 and associated components.

SERVICE SHEET 4 (cont'd)

8. Select EXT TRIG. The pulses on the oscilloscope should disappear. If they do not, troubleshoot Q2 and the Rate Inhibit line that comes from the Mode Logic circuit on A3, the Pulse Delay assembly. See Service Sheet 5 for that circuit.
9. Attach a pulse generator to the pulse INPUT connector. The SYNC OUT pulses should correspond to the rate of the pulse generator. If the pulses are visible on the oscilloscope, continue to the next step. Otherwise, troubleshoot Q11 and associated components and the External Trigger line from the A3 assembly.
10. Move the oscilloscope probe to U1 pin 8. The signal should be continuously high. Disconnect the pulse generator. After approximately 260 ms the oscilloscope trace should go low. If all is correct, the A2 assembly is working properly. Otherwise troubleshoot U1 and the few components associated with it.

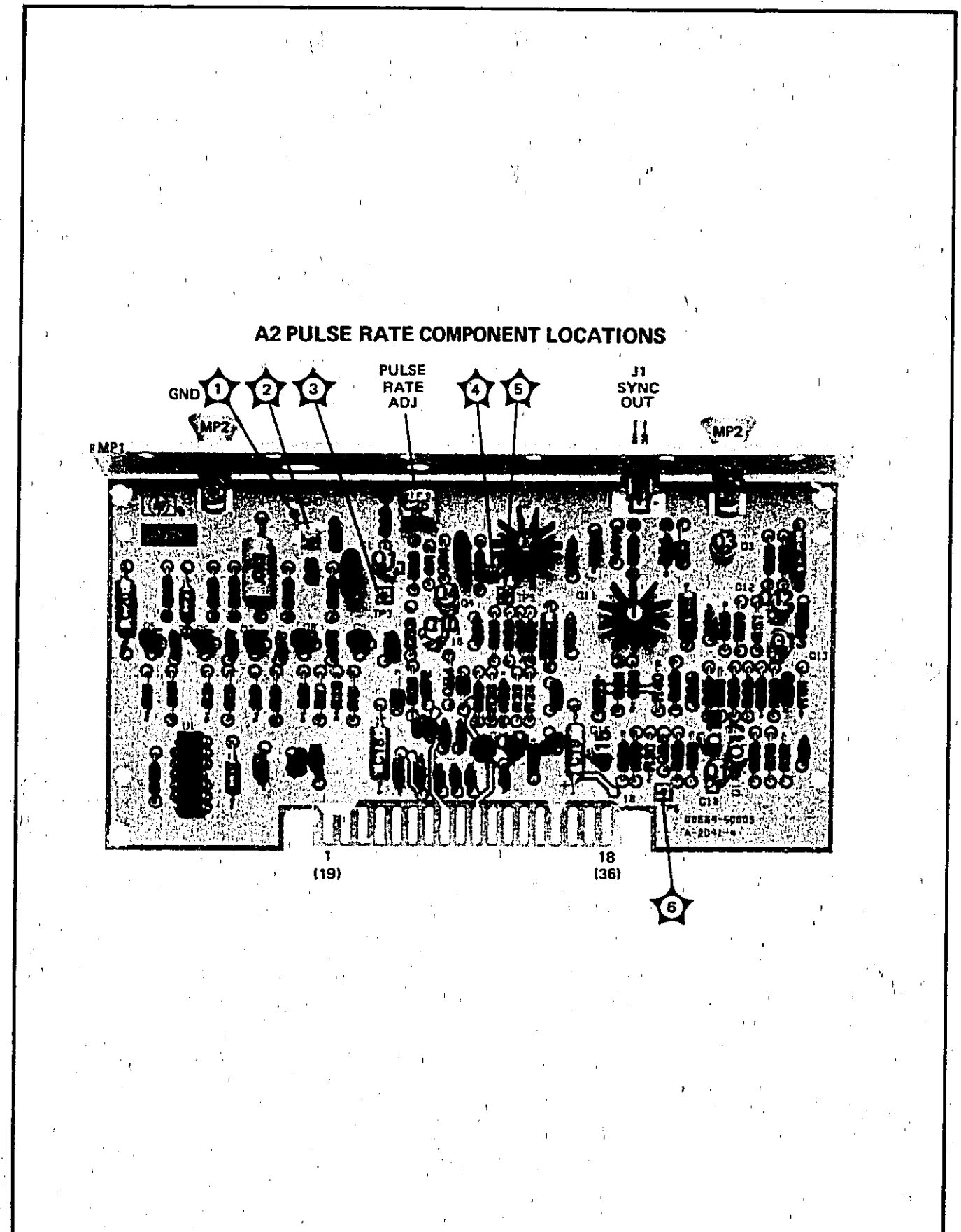


Figure 8-28. Pulse Rate Generator Component Locations

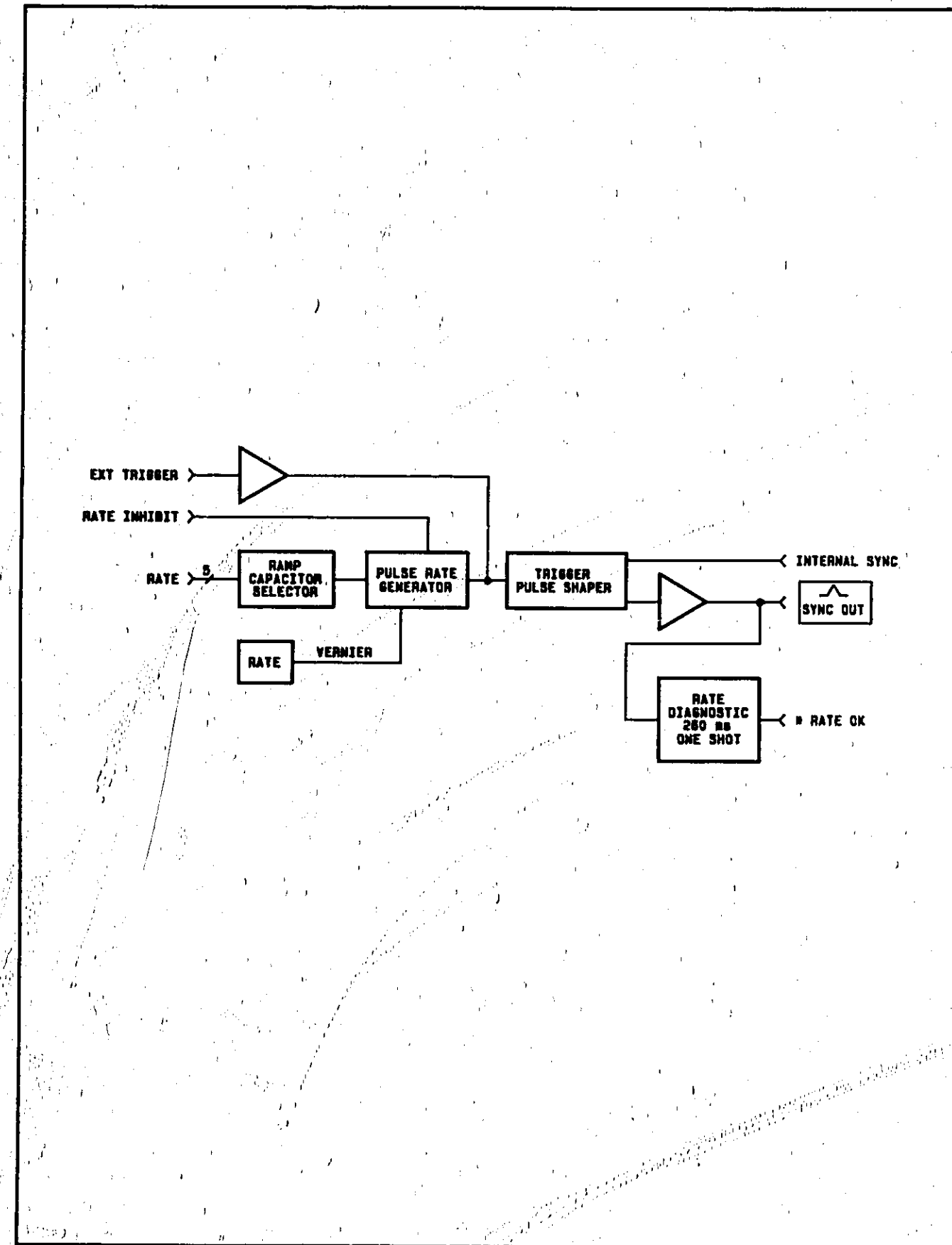


Figure 8-29. Pulse Rate Generator Simplified Block Diagram

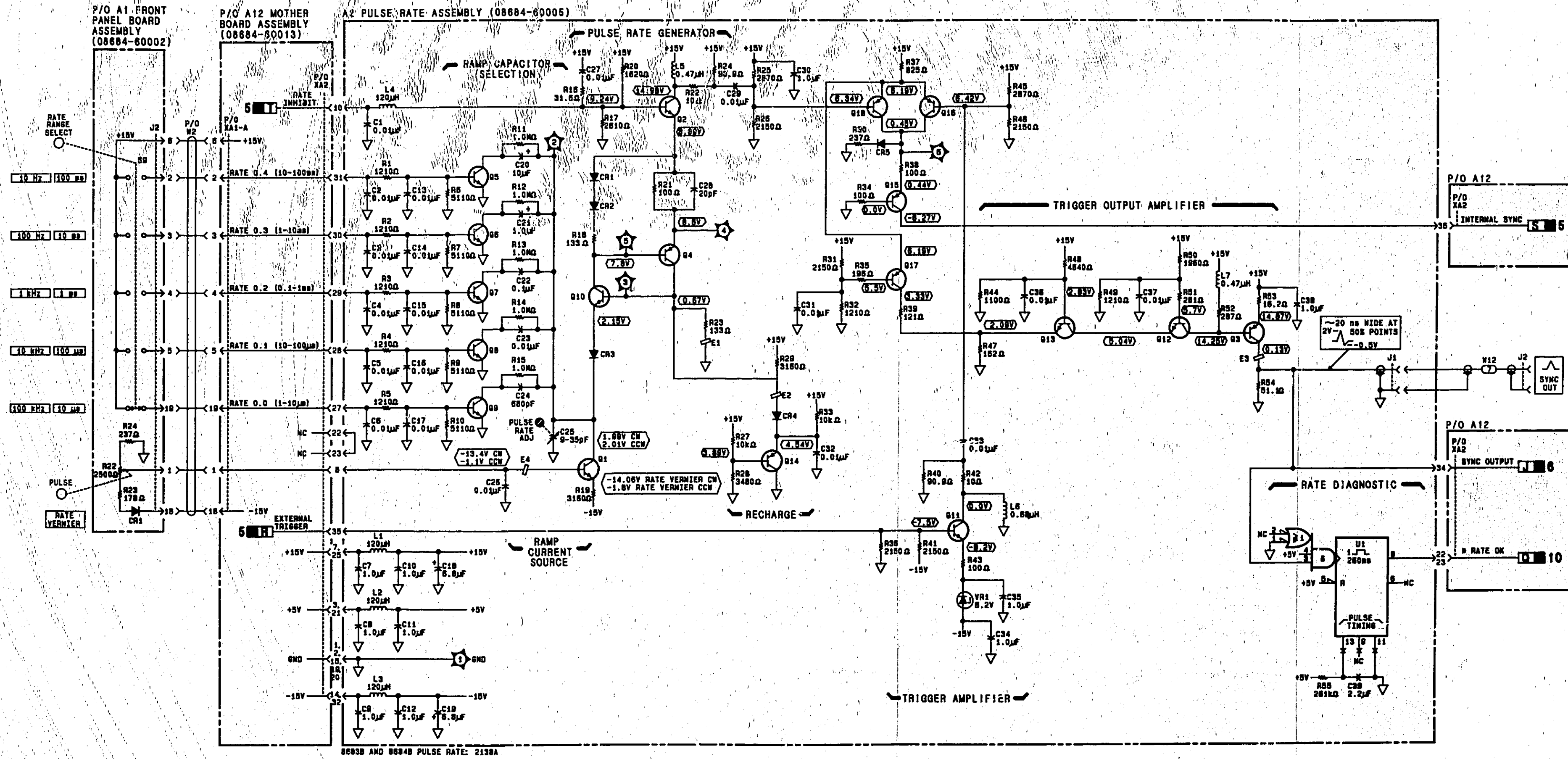


Figure 8-30. Pulse Rate Generator Schematic Diagram

- NOTES
- REFER TO TABLE B-2 FOR SCHEMATIC DIAGRAM NOTES.
 - MEMORICONS PRECEDED BY AN ASTERISK (*) ARE SIGNAL LINES USED BY THE MICROPROCESSOR.
 - CONDITIONS: INT PULSE ON, RATE VERNIER CCM UNLESS OTHERWISE NOTED.

REFERENCE DESIGNATIONS

| NO PREFIX | A2 |
|-----------|----------------|
| W2 | C1-30 C81-5 |
| A1 | E1-3 |
| CR1 | J1-7 |
| J2 | L1-18 |
| R22-24 | R1-55 |
| SR | U1 VR1 |
| | A12 |
| | XA1B, 2 |

LOGIC LEVELS

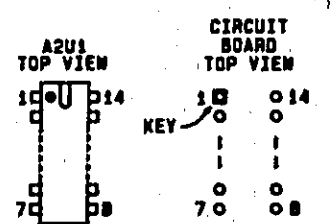
| LEVEL | VOLTAJE | RESISTANCE |
|---------------------|---------|------------|
| HIGH | > 2V | > 50K |
| LOW | < 0.5V | < 50K |
| < 15 MORE RES. THAN | | |
| > 15 MORE POS. THAN | | |
| OPEN HIGH UNDER | | |
| GROUND | LOW | LOW |

TRANSISTOR AND INTEGRATED CIRCUIT PART NUMBERS

| REFERENCE DESIGNATION | PART NUMBER |
|-----------------------|-------------|
| Q1 | 1854-0809 |
| Q2, 11, 12 | 1854-0019 |
| Q3 | 1853-0034 |
| Q4, 15-18 | 1853-0218 |
| Q5-9 | 1854-0215 |
| Q10 | 1854-0345 |
| Q13 | 1854-0008 |
| Q14 | 1853-0036 |
| U1 | 1820-1422 |

INTEGRATED CIRCUIT VOLTAGE AND GROUND CONNECTIONS

| REFERENCE DESIGNATION | VOLTAJE | PIN NUMBER |
|-----------------------|-----------|------------|
| U1 | +15V - 14 | 7 |



SERVICE SHEET 5

PULSE DELAY GENERATOR

PRINCIPLES OF OPERATION

General

There are two primary inputs to the A3 Pulse Delay Assembly. These two inputs are Internal Sync and Pulse Input. When operating in the internal pulse mode, the Internal Sync (synchronizing pulse) line provides a trigger input for the Monostable Pulse Delay Generator. A signal applied at the Pulse INPUT will be coupled through circuitry to the Ext Pulse output where it will be at the proper voltage levels with the edges sharpened.

Ramp Current Source

Transistor Q12 is a current source (in the context of conventional current flow). It continuously charges the selected ramp capacitor connected to its collector. The charge rate is determined by the setting of the front panel DELAY VERNIER control.

Monostable Pulse Delay Generator

Transistor Q8 is normally biased on, shunting the current from Q12 and keeping the capacitor from being charged. Under quiescent conditions the capacitor is charged to about -7.3 volts. When an Internal Sync pulse is received from the Pulse Rate Assembly, (the pulse is about 4 ns wide) transistor Q7 turns on, turning off Q8. With Q9 turned off, the voltage at its collector will rise and cause Q8 to turn off. At this time the new voltages are approximately as shown in Table 8-14.

Table 8-14. Transistor Voltages

| | Base | Emitter | Collector of Q7 |
|----|-------|---------|-----------------|
| Q7 | -5.6V | -6.4V | 0V |
| Q8 | -5.6V | -7.7V | -9.35V |
| Q9 | -7.7V | -6.4V | -2.55V |

This allows the current source to charge the ramp capacitor in a linear ramp to about -6 volts. The delay time is determined by how long it takes the capacitor to charge. The end of charge is determined by Q9. Eventually the voltage at the base of Q9 will be large enough to turn on its base-emitter junction. When this happens, the voltage at its collector will drop and cause Q8 to turn on, quickly discharging the ramp capacitor to its -7.3 volt resting place. It will stay at this voltage level until the circuit receives its next trigger pulse.

Pulse Shaper

At the collector of Q7 are two voltage spikes, corresponding to the beginning and end of the ramp. The ending spike is significantly larger and positive going. These spikes are connected directly to the

SERVICE SHEET 5 (cont'd)

base of Q6, part of the output pulse shaper. The end spike is the one desired. It causes Q6 to turn off, allowing the voltage at the emitter of Q5 to rise, thereby coupling the signal to the Delayed Sync output as a very narrow 3 volt pulse.

Delay Diagnostic

The activity of the Pulse Delay Generator is monitored by a retriggerable one-shot, U1. If it receives a pulse at least every 260 ms, it will maintain a high at the output diagnostic line, *Delay OK. This line is monitored by the microprocessor and used in diagnostic test 37 to test if the Pulse Delay circuitry is functioning correctly. If external pulse mode is being used, this line will go low since there are no pulses coming from the delay generator in external mode.

Input Amplifier and Limiter, and External Pulse Shaper

External pulses fed onto the board are routed through Q1 which acts as a limiter in conjunction with diodes CR2 and CR3. The diodes will conduct when the emitter voltage is more than about 1.4 volts above ground, which would happen if the input pulse was more than 0.7 volts. From the collector of Q1 the signal goes to a pair of transistors, Q2 and Q3, which act to square up the pulse. Transistor Q4 acts as a current sink (in the context of conventional current flow) for Q2 and Q3. It is turned on only when the external pulse mode has been selected.

TROUBLESHOOTING

- Remove instrument top cover and set test switch on the A9, CPU assembly to DIAG. Select diagnostic test 37. Make sure all pulse modes are off. The FREQUENCY display should read P000, meaning no pulses are coming from any of the Pulse assemblies. If any of the three zeros in the FREQUENCY display are ones, troubleshoot the diagnostic one-shot on the appropriate assembly. The first number after the "P" corresponds to the Rate assembly, A2. The second number corresponds to the Delay assembly, A3, and the third number corresponds to the Width assembly, A4.
- Press the INT PULSE key. The FREQUENCY display should read "P111". If it does, all the pulse boards are generating pulses and the problems probably relate to either specification inaccuracy or to one of the external pulse modes.
- Install the A3 Pulse Delay Generator assembly on an extender board. Connect a low capacitance probe of an oscilloscope to edge connector pin 36. With INT PULSE selected, there should be 30 ns wide +3 volt spikes that occur at the pulse rate selected on the front panel. If the pulses are not visible on the oscilloscope, continue to the next step, otherwise go to step 12.
- Set DELAY switch to 100 μ s. Connect oscilloscope to A3TP2. The signal should be a sawtooth that starts at -8 volts and rises

SERVICE SHEET 5 (cont'd)

linearly to -6 volts before quickly dropping back to -8 volts. The rise time of the sawtooth depends on the setting of the DELAY range control. The longer the delay, the longer the rise time. See Figure 8-31 for the typical appearance of this signal. If the sawtooth exists, troubleshoot Q5, Q6, Q7 and associated components; otherwise continue to the next step.



Figure 8-31. Typical Waveform at A3TP2

- Measure the current being supplied by transistor Q12. Do this by measuring the voltage drop across R9. The drop should vary from 2.63 volts, with the delay vernier fully counterclockwise to 0.18 volts with the vernier fully clockwise. If the current is not within this range, select one of the other ramp capacitors with the DELAY range switch to see if the problem can be isolated to one of the ramp capacitors or transistors.
- Measure the voltage at A3TP2 with a voltmeter. If the voltage is near -8 volts, troubleshoot Q8 and its drive circuit to see why it is never turned off. If the voltage is near (or above) -6.5 volts, troubleshoot Q9, Q7 and VR2 to see why Q8 isn't getting turned on to discharge the ramp capacitor.
- Connect an oscilloscope to A3TP7. The voltage should be about -7.5 volts dc. Attach a pulse generator to the external pulse INPUT. The pulses on the oscilloscope should have a peak amplitude of about -0.5 volts. If the pulses are missing or significantly inaccurate in amplitude, continue to the next step, otherwise go to step 10.
- Move the oscilloscope probe to TP6. Select EXT PULSE. The pulses at TP6 should have a peak amplitude of -1.4 volts, with the baseline at zero. Pulse width is determined by the width setting of the external pulse generator.
- Move the oscilloscope probe to U2 pin 8 (or edge connector pin 4). The signal here should be about 9 volts dc with INT PULSE selected, otherwise it should be near zero. If everything is correct up to this point, the Pulse Delay assembly appears to be working properly.
- Measure the logic levels at U2 pins 9 and 10. Pin 10 should always be high and pin 9 should be low when INT PULSE is selected and high otherwise.

SERVICE SHEET 5 (cont'd)

- Measure U2 pin 6. The output should be high whenever EXT PULSE or EXT TRIG is selected and low otherwise. If there are no problems up to this point, the Delay assembly appears to be working properly.
- Connect the front panel SYNC OUT signal to the oscilloscope external trigger input and set the oscilloscope to trigger on this signal.
- Vary the DELAY vernier control while observing the spikes. The position of the spikes on the oscilloscope display should vary as the DELAY vernier is adjusted.
- Set the DELAY switch to 1 μ s. The spikes should move from 0.1 μ s to 1 μ s delay as the DELAY vernier is rotated over its range. If this does not happen, troubleshoot Q14 and associated components.
- Set the DELAY switch to 10 μ s. The spikes should move from 1 μ s to 10 μ s delay as the vernier is rotated over its range. If this does not happen, troubleshoot Q15 and associated components.
- Check the delay for the rest of the DELAY switch settings. If all are correct, troubleshooting for this assembly is finished, otherwise, troubleshoot the appropriate transistor circuit.

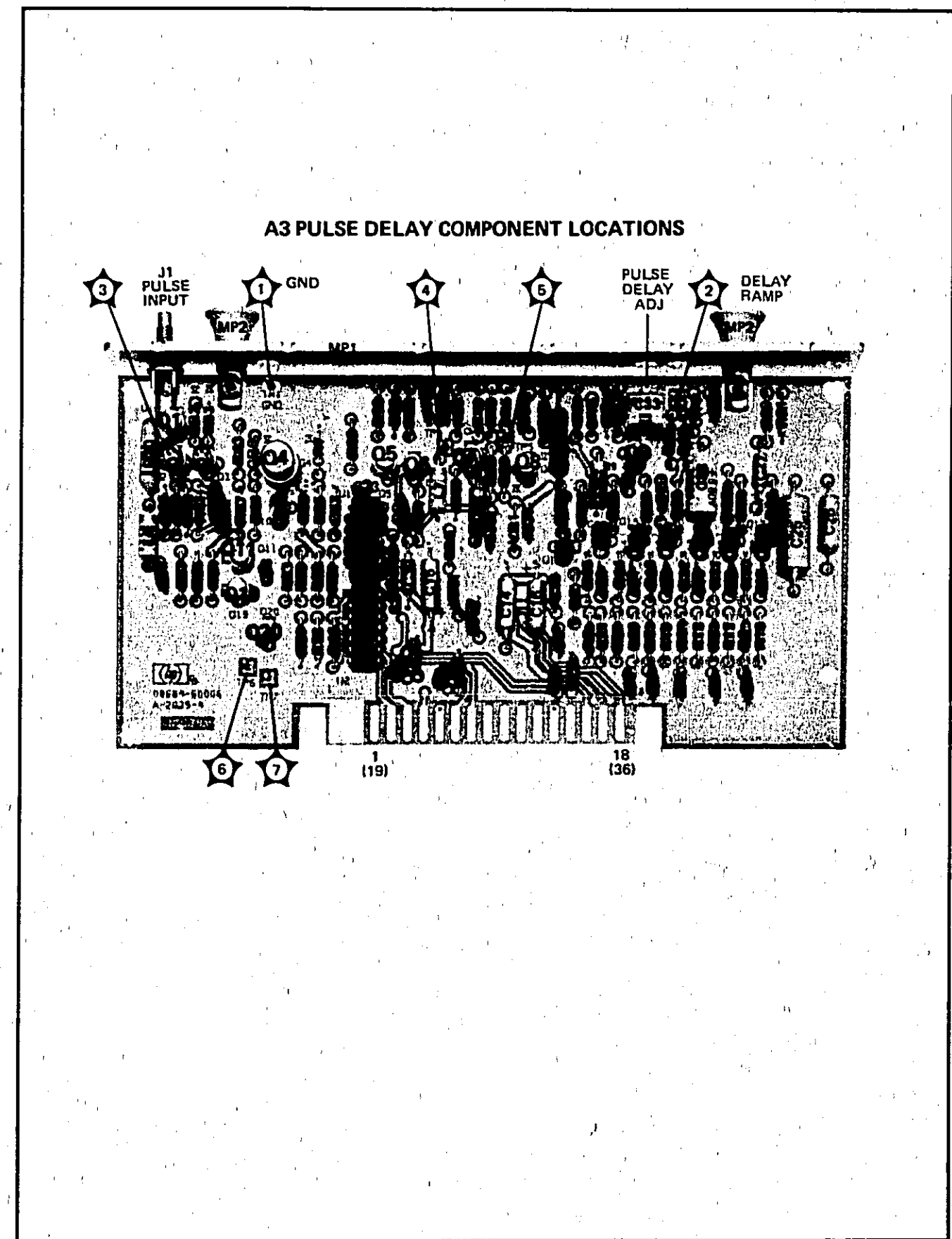


Figure 8-32. Pulse Delay Generator Component Locations

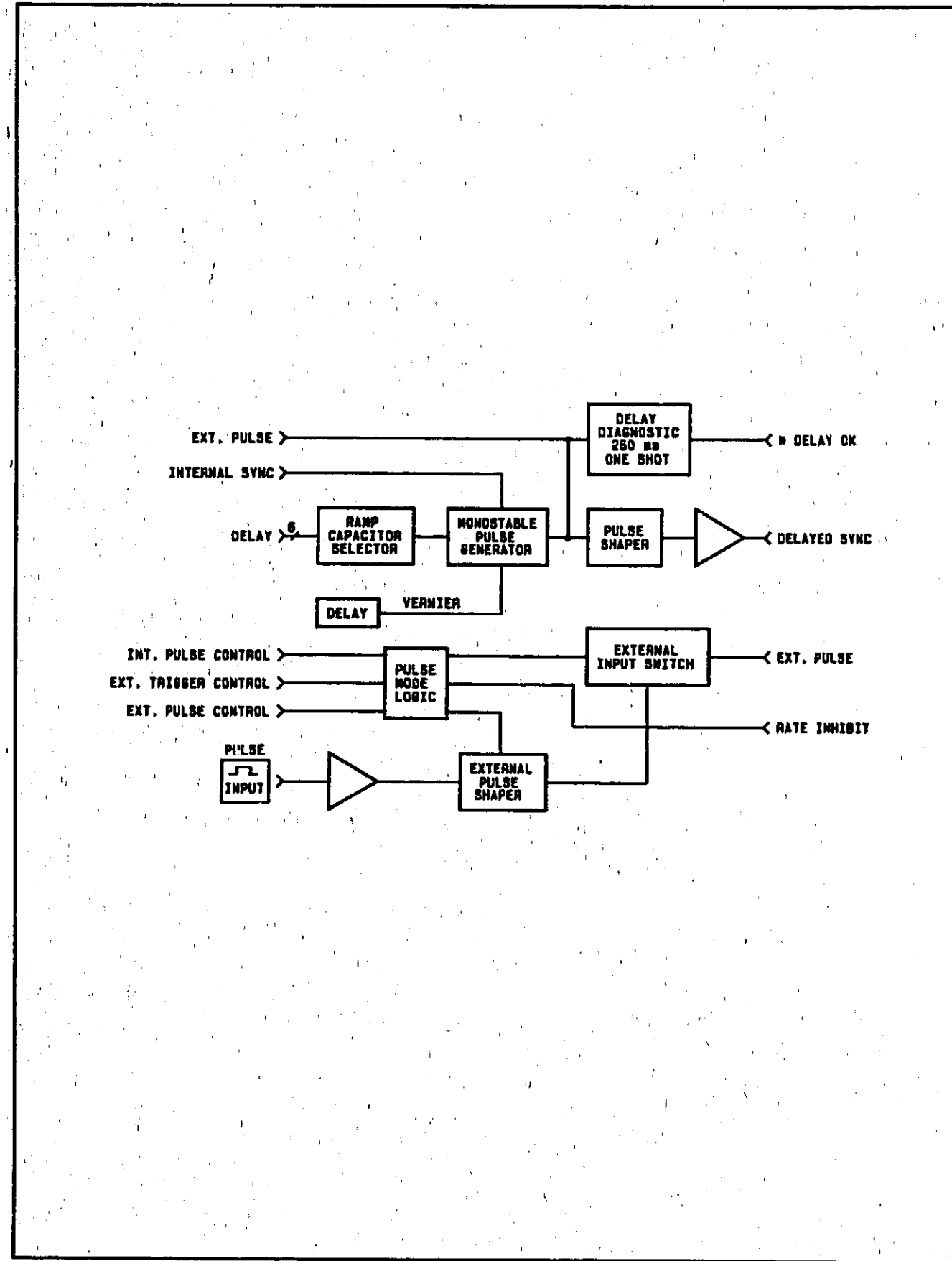
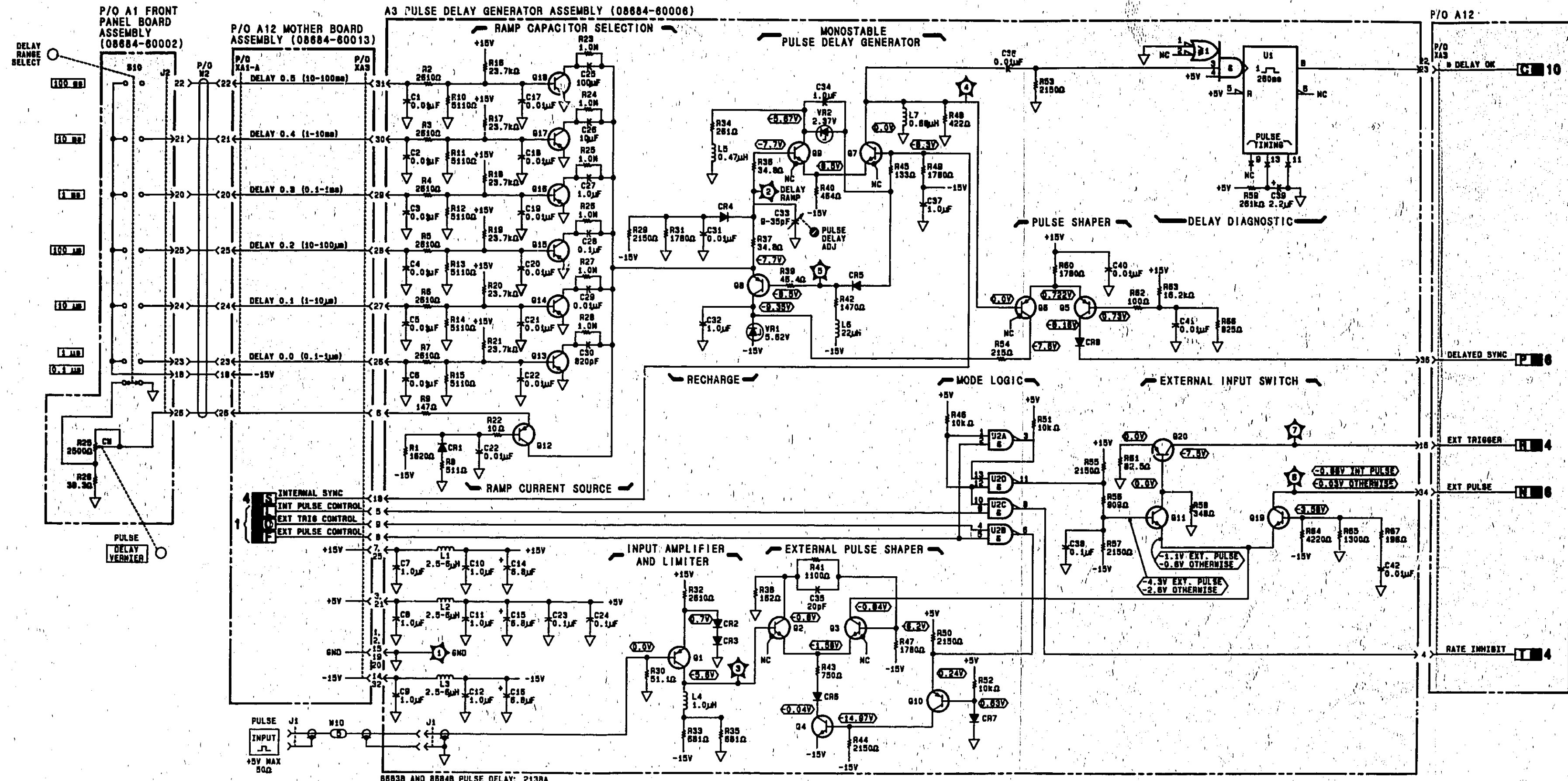


Figure 8-33. Pulse Delay Generator Simplified Block Diagram



8683B AND 8684B PULSE DELAY: 2138A

- NOTES
1. REFER TO TABLE 8-3 FOR SCHEMATIC DIAGRAM NOTES.
 2. MNEMONICS PRECEDED BY AN ASTERISK (*) ARE SIGNAL LINES USED BY THE MICROPROCESSOR.
 3. CONDITIONS: INT PULSE

REFERENCE DESIGNATIONS

| NO PREFIX | A3 |
|-----------|---------|
| J1 | C1-42 |
| N | C11-8 |
| | L1-7 |
| A1 | Q1-20 |
| J2 | R1-87 |
| R25, 26 | TP1-7 |
| S10 | U1, 2 |
| | VR1, 2 |
| | A12 |
| | XA1B, 3 |

LOGIC LEVELS

| TR | CRS |
|---------------------|---------------------|
| HIGH > 2V | > 2.0V |
| LOW < 0.8V | < 0.8V |
| < IS MORE NEG. THAN | > IS MORE POS. THAN |
| OPRN HIGH UNDEF. | GROUND LOW UNDEF. |

TRANSISTOR AND INTEGRATED CIRCUIT PART NUMBERS

| REFERENCE DESIGNATION | PART NUMBER |
|-----------------------|-------------|
| Q1, 5, 6, 20 | 1853-021B |
| Q2, 3, 7, 8 | 1854-034B |
| Q4 | 1854-003B |
| Q8 | 1853-001B |
| Q10 | 1853-002B |
| Q11, 19 | 1854-009B |
| Q12-18 | 1853-003B |
| U1 | 1820-1422 |
| U2 | 1820-1417 |

INTEGRATED CIRCUIT VOLTAGE AND GROUND CONNECTIONS

| REFERENCE DESIGNATION | VOLTAJE AND GROUND CONNECTIONS |
|-----------------------|--------------------------------|
| U1, 2 | +5V - 14 |
| | ▽ - 7 |

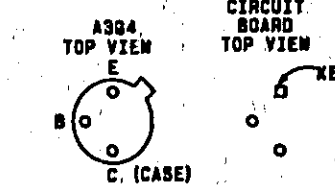
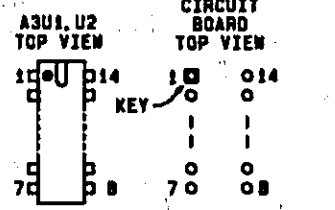


Figure 8-34. Pulse Delay Generator Schematic Diagram

SERVICE SHEET 6

PULSE WIDTH GENERATOR

PRINCIPLES OF OPERATION

General

The two primary inputs to the Pulse Width Generator, A4, come from the Pulse Delay Generator. When the instrument is operating in the Internal Pulse mode, the Delayed Sync (synchronizing pulse generated by the Pulse Delay Generator provides the trigger signal for the Monostable Width Generator circuit. In EXT PULSE mode there is no Delayed Sync signal; the Ext. Pulse signal that has been conditioned by the circuits on the DELAY assembly is used to generate the final output pulse.

Ramp Current Source

Transistor Q8 is a current source; it continuously charges the selected ramp capacitor connected to its collector. The charge rate is determined by the setting of the front panel Delay Vernier Control.

Monostable Pulse Width Generator, and Pulse Shaper

Transistor Q6 is normally biased on, shunting the current from Q8 and keeping the selected ramp capacitor from being charged. Under quiescent conditions, the ramp capacitor voltage is about -7.3 V.

When a Delayed Sync pulse is received from the Pulse Delay Assembly, transistor Q5 turns on, turning off Q7. With Q7 off, the voltage at its collector will rise and cause Q6 to turn off. This allows the current source to charge the ramp capacitor in a linear ramp up to about -6 V. Eventually the voltage at the base of Q7 will be large enough to turn its base-emitter junction on. When this happens, the voltage at its collector will drop and cause Q6 to turn on, discharging the ramp capacitor to -7.3 V. The ramp capacitor will stay at -7.3 V until the circuit receives its next trigger pulse.

The output of the Monostable Pulse Width Generator or the Ext. Pulse signal is fed through a shaper which helps make the pulse clean and the edges sharp. Finally the pulse is routed through a pair of emitter follower buffers which provide low impedance drive signals to feed the front panel VIDEO OUT connector and the Pulse Modulator in the Microwave Chain. ALC Pulse is the name given to the signal that goes to the Pulse Modulator.

Pulse Uncal Detector

The Pulse Uncal Detector monitors the relative timing between the Delayed Sync signal (output of the Pulse Delay Generator) and the output of the Pulse Width Generator Assembly. If a new trigger pulse (Sync Output) is received before the completion of an output pulse (Video Out), the PULSE UNCAL lamp lights to warn the operator of an illegal combination of rate, delay, and width.

Two flip-flops are involved in the Pulse Uncal Detector circuit. U1 is clocked by the rising edge of the Video Out Pulse. U2 is clocked on

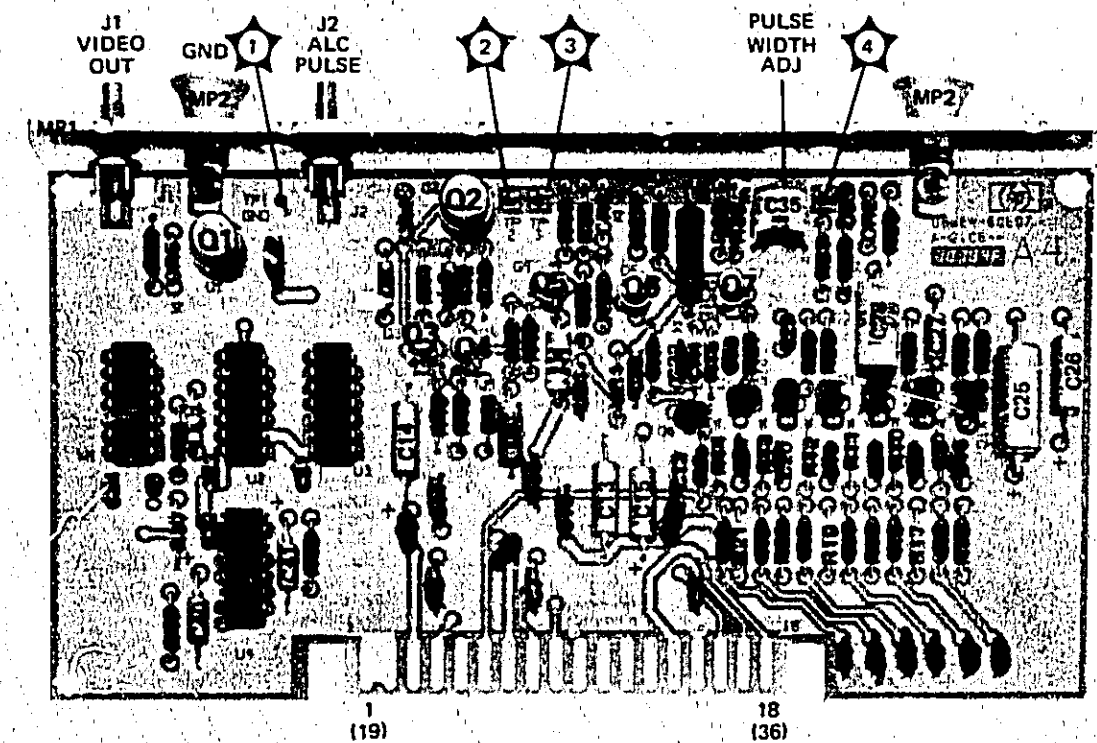
SERVICE SHEET 6 (cont'd)

the rising edge of the Sync Output pulse. The second sections of both flip-flops have their "D" inputs tied to a gate that looks at the common occurrence of both the Video Out pulse and the Sync Out pulse. If this is the case, they will toggle to place highs on their low-true outputs. Via a NAND gate this triggers a 260 ms one-shot (Pulse Stretcher) whose output is the Uncal Pulse line. Thus if the delay (from the Pulse Delay Assembly) plus the pulse width (from the Pulse Width Assembly) is longer than the period from the Pulse Rate Generator, the Uncal Pulse line will go high.

TROUBLESHOOTING

1. Select INT PULSE. Attach one channel of an oscilloscope to the front panel VIDEO OUT connector. Connect the SYNC OUT output of Signal Generator to the external trigger input of the oscilloscope. Trigger the oscilloscope with this signal. The pulse displayed should have all parameters (rate, delay and width) determined by the front panel PULSE controls. If the pulse is correct go to step 6, otherwise continue with the next step.
2. Connect a diode detector to the microwave OUTPUT connector and to the other channel of the oscilloscope. Set power output to 0 dBm. If there are pulses from the VIDEO OUT connector but not from the microwave OUTPUT, go to Service Sheet 8 to continue troubleshooting.
3. Disconnect the oscilloscope from the VIDEO OUT connector and connect it to A4TP2. The pulse there should be the proper width as determined by the front panel WIDTH settings with an amplitude of about -1.7 V. If the signal is present, troubleshoot Q3, Q4 and associated parts. Otherwise continue with this procedure.
4. Measure the voltage at the base of Q5 on the oscilloscope. The nominal level should be -7 volts with positive going spikes at the selected pulse rate. If the spikes are not present, go to service sheet 5 to continue troubleshooting.
5. Observe the waveform at A4TP4. A sawtooth should be present, going from about -7.7 volts up to about -6 volts at the selected pulse rate and width. If the voltage is sitting at -7.7 volts or lower, troubleshoot the ramp current source, Q8. If the voltage is sitting at -5 volts or greater, troubleshoot Q6 and associated components. Pay special attention to zener diode VR2.
6. Attach a pulse generator to the external pulse input and select EXT PULSE. Observe the pulses on the oscilloscope. If they are present, this board is working correctly. Otherwise, measure the pulses at A3TP6. The pulse amplitude should be about -0.5 Vp. If the measurement is correct, troubleshoot A4Q4 circuitry, otherwise, go to Service Sheet 5 to continue.

A4 PULSE WIDTH COMPONENT LOCATIONS



← Pulse Delay Generator
A3
SERVICE SHEET **5**

Figure 8-35. Pulse Width Generator Component Locations

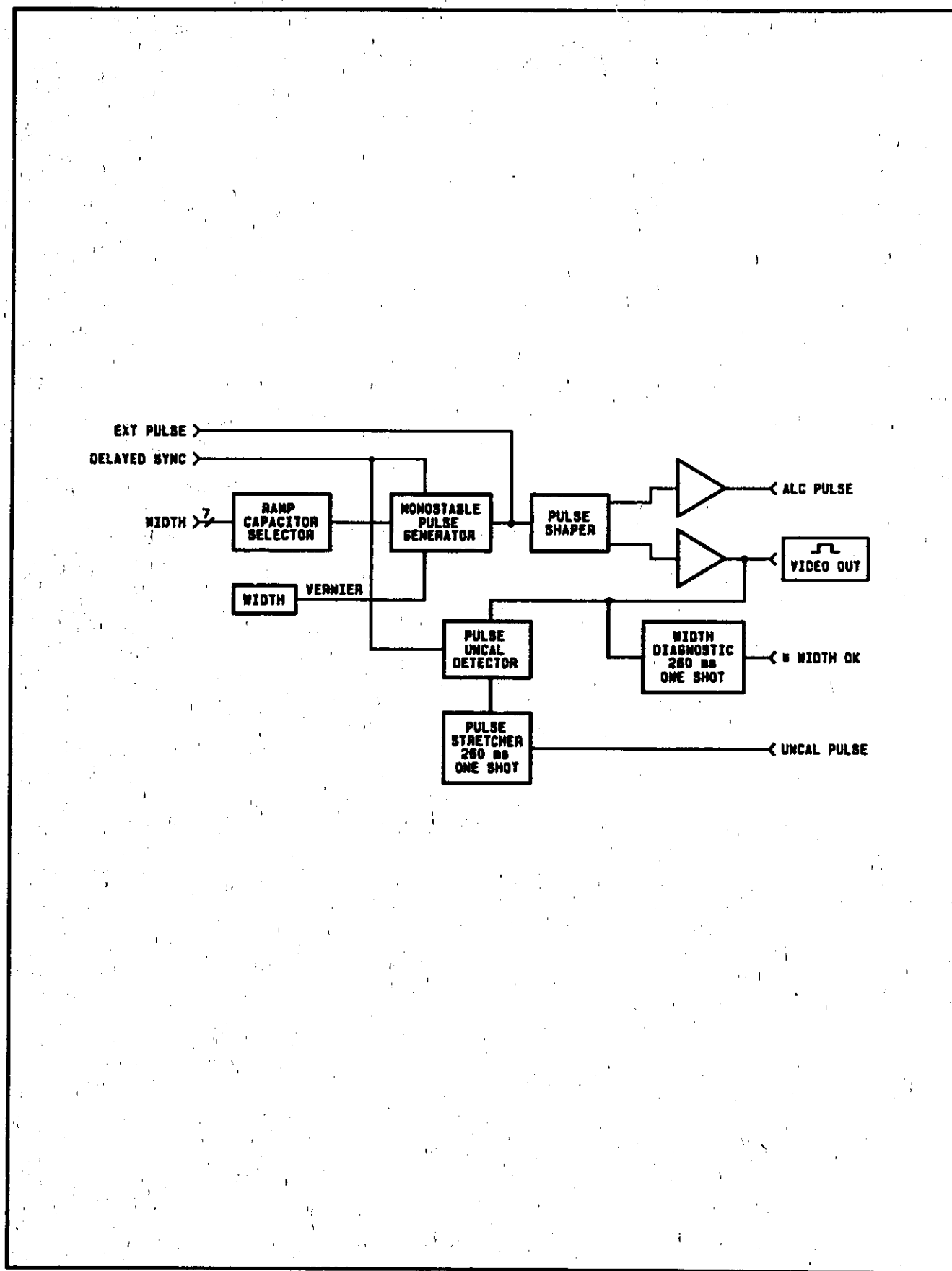
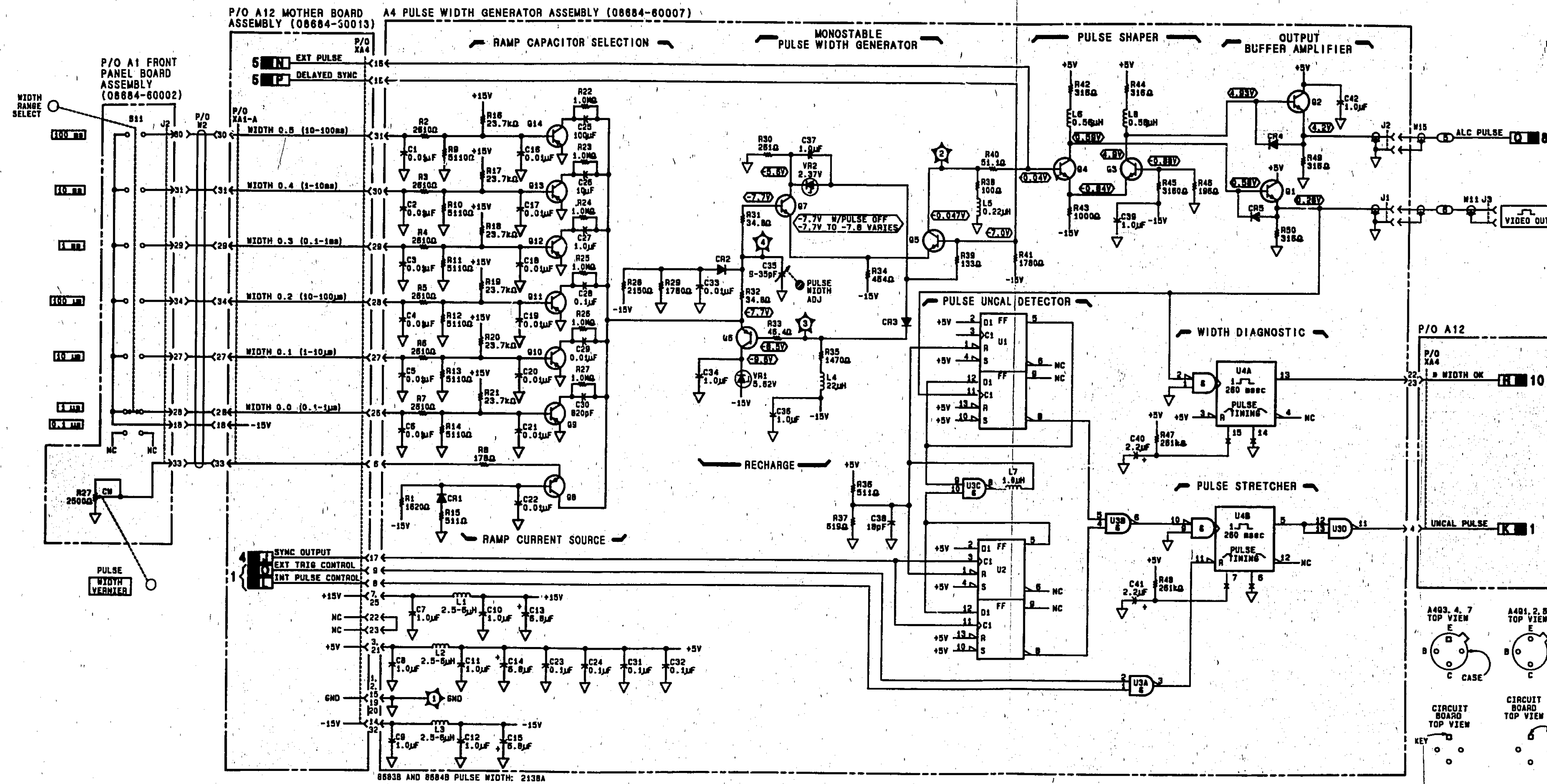


Figure 8-36. Pulse Width Generator Simplified Block Diagram



- NOTES
- REFER TO TABLE B-3 FOR SCHEMATIC DIAGRAM NOTES.
 - MEMORICS PRECEDED BY AN ASTERISK (*) ARE SIGNAL LINES USED BY THE MICROPROCESSOR.
 - CONDITIONS FOR VOLTAGES: INT PULSE

REFERENCE DESIGNATIONS

| NO PREFIX | A4 |
|-----------|--------|
| J3 | C1-42 |
| W | CR1-5 |
| A1 | J1 |
| | L1-B |
| J2 | R1-34 |
| R27 | R1-50 |
| S11 | TP1-4 |
| | VR1, 2 |
| | A12 |
| | X44 |
| | X41-B |

LOGIC LEVELS

| HIGH | LOW |
|-----------------------|-----------------------|
| > 2V | < 0.4V |
| < 1.5V | > 1.5V |
| < 1.5V MORE NEG. THAN | > 1.5V MORE POS. THAN |
| TRIP POINT UNDER | TRIP POINT UNDER |
| GROUND | GROUND |

TRANSISTOR AND INTEGRATED CIRCUIT PART NUMBERS

| REFERENCE DESIGNATION | PART NUMBER |
|-----------------------|-------------|
| Q1, 2 | 1854-0013 |
| Q3-5, 7 | 1854-0345 |
| Q6 | 1853-0218 |
| Q8-14 | 1853-0036 |
| U1, 2 | 1820-1132 |
| U3 | 1820-1287 |
| U4 | 1820-1423 |

INTEGRATED CIRCUIT VOLTAGE AND GROUND CONNECTIONS

| REFERENCE DESIGNATION | VOLTAGE | PIN NUMBER |
|-----------------------|---------|------------|
| U1-3 | +5V | -14 |
| | +5V | -7 |
| U4 | +5V | -16 |
| | +5V | -8 |

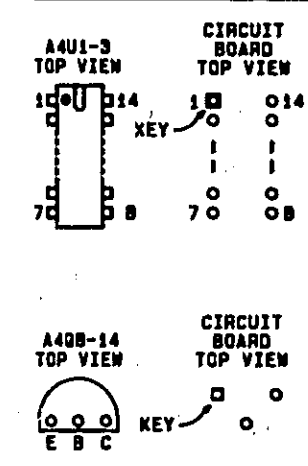


Figure 8-37. Pulse Width Generator Schematic Diagram

SERVICE SHEET 7 ALC CONTROL

PRINCIPLES OF OPERATION

General

The ALC Control Assembly accepts the ALC ERROR voltage from the ALC Detector Amplifier Assembly and a voltage generated by the front panel LEVEL vernier control. These two inputs control the circuit which generates the current needed to drive the ALC PIN Modulator in the power amplifier (in the microwave chain). This changes the actual power output monitored by the ALC Detector Amplifier Assembly and thus completes the loop. The loop acts to drive the ALC ERROR voltage generated by the ALC Detector Amplifier Assembly as close to zero as possible.

Sampling FET Switch Driver, and Integrator

The ALC Error voltage enters the board on the red coaxial cable from the ALC Detector Amplifier Assembly. It immediately passes through the ALC GAIN 1 adjustment, or through an FET, Q22, which bypasses the adjustment if the user has selected Pulse mode. The adjustment sets the gain of an integrator made up of U2 and capacitors C17 and C19. (C17 is much larger than C19, however, and is thus dominant when it is in the circuit.) Between the adjustment and the integrator is an FET, Q5, that acts as a switch during Pulse mode. By switching the input to the integrator on only during the time that there is actually a pulse present, the integrator is charged to the peak of the pulse. This allows the pulses to be leveled even though the signal in the loop is being switched on and off by the ALC Modulator in the Microwave Chain. Both capacitors, C17 and C19, are selected during Pulse Modulation, and the gain of U2 is increased by shunting the ALC GAIN 1 adjustment.

Gain Compensation

From U2 the signal is fed to one side of differential pair Q8C and Q8D. This circuit does three things:

- The voltage swing at the output of U2 is transformed into a current swing at the collector of Q8D.
- The base of Q8D is ac-coupled to the input ground line of the integrator. This serves to cancel out high frequency noise that appears on the ground side of the input connector, J1.
- The maximum allowable ALC Modulation drive signal level is set at this point due to the limited current availability from Q2. This limits the PIN modulator drive signal during unlevel conditions to a safe level.

ALC Modulator Driver

The output current from Q8D drives the emitters of Q8A and Q8B. Current flow through Q8A is controlled by the setting of the front panel LEVEL vernier control. The current ultimately delivered by Q8A is thereby controlled by the LEVEL vernier. The collector of Q8A drives the negative input of amplifier U5, which in turn drives the final output transistor, Q12. The signal from Q12 goes through a shaper circuit which compensates for the logarithmic characteristics of the PIN Modulator.

SERVICE SHEET 7 (cont'd)

The feedback paths around U5 perform several important functions. C31 locally stabilizes the combination of U5 and Q12. It also provides high frequency rolloff to help maintain loop stability. In the highest microwave power range, Q1 is turned on to put the series combination of C30, R40, and R50 in parallel with R53. This decreases the net gain of U5. R40 is set so the current reduction from Q12 corresponds to an ultimate increase in output power of 10 dB at the front panel, while the net gain of U5 is decreased by 10 dB.

Unlevel Detector

A group of comparators on the board monitors the ALC Modulation signal and the REF UNCAL signal to generate an AM Overmod flag if either signal is outside its normal operating range. This flag is used to indicate that the power output is not what it should be. It is also used to indicate that the AM percentage currently being used is too much. This is done under the rationale that if the power being requested cannot be delivered, the instrument certainly cannot deliver enough for the peak of any AM waveform. Also the emitter voltage of Q8B is monitored to detect conditions where the microwave amplifier is being driven to deliver maximum power.

100 ms One Shot

When an overmodulation or unlevel situation is detected, one or more of the outputs of U1 will be pulled low. This causes transistor Q13, which had previously been off, to turn on. With the transistor off, the current that flows through R64 from the +5 volt power supply will begin charging C35. The voltage on C35 is compared to a one volt reference at the inverting input of U3B. When the voltage of C35 drops below Vref, the output of the comparator goes low, where it stays until the cause of unleveling or overmodulation is remedied.

TROUBLESHOOTING

This procedure is used to determine which circuit board may be at fault in a failure of the ALC loop. The technician will be directed to specific troubleshooting procedures for an individual board after initial checks give reasonable assurance that the problem lies on that board.

Set initial conditions by making sure all modulation is off (including pulse) and CABLE OFFSET is off. Set the operating frequency to about 9 GHz (mid-band).

- Set the front panel LEVEL range and vernier controls to obtain a display of -10 dBm on the Signal Generator front panel. The UNLEVEL light should be out. If the unlevel light is on, go to step 11 to continue. Otherwise continue to the next step.
- Change the range switch to get a 0 dBm display. The UNLEVEL light should be off. If the light comes on go to step 15. Otherwise continue to the next step.

SERVICE SHEET 7 (cont'd)

3. Connect power meter to the microwave OUTPUT connector. The meter should read 0.0 ± 2.5 dBm. Slowly tune from 5.4 to 12.5 GHz while observing the actual power output. It should remain within ± 1 dB across the band, and the UNLEVEL light should remain off.

4. Select INTERNAL PULSE modulation. Set 100 ns pulse width, 50 kHz rate and minimum delay. The UNLEVEL light should remain off. Unless a peak reading power meter is being used, the power meter display will drop to a very low value (if it reads at all).

5. Connect a diode detector to the microwave output and observe the pulse waveform on an oscilloscope. Reduce pulse width while watching the oscilloscope. When the width reaches about 50 ns, the output power will rise a few dB and then drop to nothing when the width becomes narrower than the pulse width compression of the pulse boards.

6. Attach a spectrum analyzer to the microwave OUTPUT in place of the diode detector. Return the pulse width to 100 ns and rapidly rotate the LEVEL vernier control counterclockwise. The power output drops more than the desired change and slowly returns to the desired power level. While this is happening the UNLEVEL light will turn on, but should turn off when power is close to the desired level. At the pulse width and rate indicated in step 4, it takes about 12 seconds to re-level after a rapid 6 dB vernier change (this is not a specified parameter). Rotate the vernier clockwise. The power output should rise well over the desired level and slowly drop back. Re-leveling after an increase in power will generally be faster than re-leveling after a decrease in power. The wider the pulses and the higher the pulse rate, the faster the instrument will relevel.

7. Turn off pulse and select EXTERNAL AM. Attach the 600 ohm output of a Test Oscillator to the AM INPUT. Set the Test Oscillator to 10 kHz at 0.5 volts rms. The display on the Signal Generator should indicate about 70% modulation (since modulation in this instrument is calibrated to correspond to the peak voltage). The display on the spectrum analyzer should show the fundamental modulation sidebands about 9 dB below the carrier. If everything is correct in this step, the ALC loop appears to be working properly. If AM performance is not as indicated, troubleshoot A7 board on Service Sheet 9.

8. Connect power meter to the microwave OUTPUT connector. If no (or very little) power is being delivered continue to next step. If higher than desired power is being delivered go to step 16.

9. Connect power meter to rear panel AUX. OUTPUT connector. The signal there should be >15 dBm. If the signal is correct, continue to the next step. Otherwise go to Block Diagram 2 troubleshooting since the cause of failure is not ALC.

SERVICE SHEET 7 (cont'd)

10. Remove the top cover and locate the A7 ALC Reference board. With the high impedance input of an oscilloscope measure the 30 MHz Reference output from that board. With the range and vernier fully clockwise the 30 MHz signal should be about 4 volts peak to peak. If the signal is present go to the next step, otherwise go to Service Sheet 9 to continue troubleshooting.

11. Remove the bi-pin fuse in front of the power amplifier. Power output should go to the maximum available out of the microwave OUTPUT connector - greater than +10 dBm across the band. If there is still no power output, go to Block Diagram 2 to troubleshoot microwave chain problems.

12. Reinstall the fuse and disconnect the red cable that brings the ALC ERROR voltage to A5. With the error voltage missing, power output should rise to the maximum available. Next, connect a 50Ω load or a short to the ALC ERROR input (A5J1); the output power should drop to the minimum obtainable from the ALC modulator, probably -40 dBm or less. If the power varies as stated, troubleshoot the A6 board, otherwise troubleshoot the A5 board.

13. Connect power meter to the microwave OUTPUT. Vary the LEVEL vernier. If power can be varied over the range of the vernier, adjustment of the ALC loop boards may be needed.

14. Connect an oscilloscope to the 30 MHz Reference output. With the LEVEL vernier clockwise the signal should be about 4 Vpp and with the vernier counterclockwise the signal should be about 0.25 Vpp. Reduce the power output RANGE one step. The front panel display should read -20 dBm and the oscilloscope should read about 0.04 Vpp. The negative peak of the sine wave may be flattened at the lower voltage levels. If the signal is present at the proper level, go to Service Sheet 8 to troubleshoot the Detector Amplifier Board. Otherwise go to Service Sheet 9 to troubleshoot the ALC Reference Board.

15. Connect a power meter to the microwave OUTPUT connector. If the UNLEVEL light goes out, return to step 3 to continue troubleshooting.

16. Observe the power actually being delivered as shown on the power meter. Unplug the small bi-pin fuse at the front of the power amplifier. This removes all drive from the ALC modulator. The power should go to the maximum obtainable. If that level is still less than +10 dBm, go to Block Diagram 2 to troubleshoot a microwave chain problem. Otherwise continue.

17. Reinstall the bi-pin fuse. Disconnect the ALC ERROR cable from the A5 board. The microwave power output should again rise to the maximum obtainable. If the power does not rise, troubleshoot A5, the ALC Control board. Otherwise go to step 13 to continue troubleshooting.

SERVICE SHEET 7 (cont'd)

Board Level Troubleshooting for A5, the ALC Control Board

1. Set indicated power output to -10 dBm in the top power range. If this can not be done, go to step 7.

2. Connect a spectrum analyzer or power meter to the RF OUTPUT connector.

3. Disconnect the red coax cable from the ALC ERROR input. This opens the ALC loop and should cause the power output to rise to the maximum available (>+10 dBm). Also, the UNLEVEL light should turn on. If this works properly continue to the next step, otherwise go to step 9.

4. Install the ALC Control board on a 2x18 extender board. Measure the voltage at the emitter of Q14 with a dc voltmeter. With the LEVEL vernier clockwise, the emitter should read about 10.8 Vdc. With the vernier counterclockwise, it should read about 0.7 Vdc. If the levels are incorrect, go to step 6.

5. Attach a low voltage power supply to the ALC ERROR input. A very small positive voltage (greater than about 25 millivolts) should cause the modulator to turn off and the power output to drop by >60 dB (typically). Measure the voltage at TP4. It should be about 0.3 Vdc with the ALC ERROR input disconnected and about -7.5 Vdc with the small positive voltage applied. If the voltages are proper but the microwave signal is not responding properly, go to Block Diagram 2 to continue troubleshooting. If the voltages are incorrect go to step 10.

6. Measure the voltage at the base of Q21 with the LEVEL vernier fully clockwise. The voltage should read about 10.2 Vdc. With the vernier counterclockwise it should read near 0 Vdc. If the voltages are correct, troubleshoot Q14, Q20 and Q21. If the voltages are incorrect, troubleshoot Q20, Q21 and R7.

7. Install the A5 board on a 2x18 extender. Measure the voltage at the emitter of Q20. With the LEVEL vernier fully clockwise, the voltage should read about 10.2 Vdc. With the vernier fully counterclockwise it should read about 0.05 Vdc. If the voltages are correct, go to Service Sheet 10 to continue troubleshooting problems with the reading of the vernier voltage.

8. Connect voltmeter to the rear panel RELATIVE VERNIER LEVEL connector. This output should read about 10.2 Vdc with the vernier clockwise and 0.0 Vdc with the vernier counterclockwise. If the voltage doesn't vary properly, check Q20 and Q21 for leakage and R7 for proper connection and operation.

Pulse Width Generator
A4
SERVICE SHEET **6**

Service

HP 8684B

SERVICE SHEET 7 (cont'd)

9. Measure the voltage at A5TP4 with the red coax disconnected. It should read near 0 volts. If the voltage is correct but the microwave power output is low, go to Service Sheet 2 to continue troubleshooting. If the voltage is incorrect, use the voltages on the schematic to find the failure. If both the power and voltage are correct but the UNLEVEL light does not turn on, troubleshoot U1, U3 and associated components.

10. Measure the voltage at TP3 with the ALC ERROR input terminated in a 50Ω load. The

voltage should read about -11 Vdc. Remove the load. The voltage should change to about +0.6 Vdc. If the voltages are incorrect troubleshoot U2, Q5, Q22 and associated components.

11. Measure the voltage at the collector of Q8D. With the load disconnected it should read about 0.6 Vdc. With the load installed the voltage should change to about -0.8 Vdc. If the voltages are incorrect, use the voltages on the schematic to troubleshoot the gain compensation circuit. Otherwise troubleshoot Q8A, Q8B, Q3A, and Q3B.

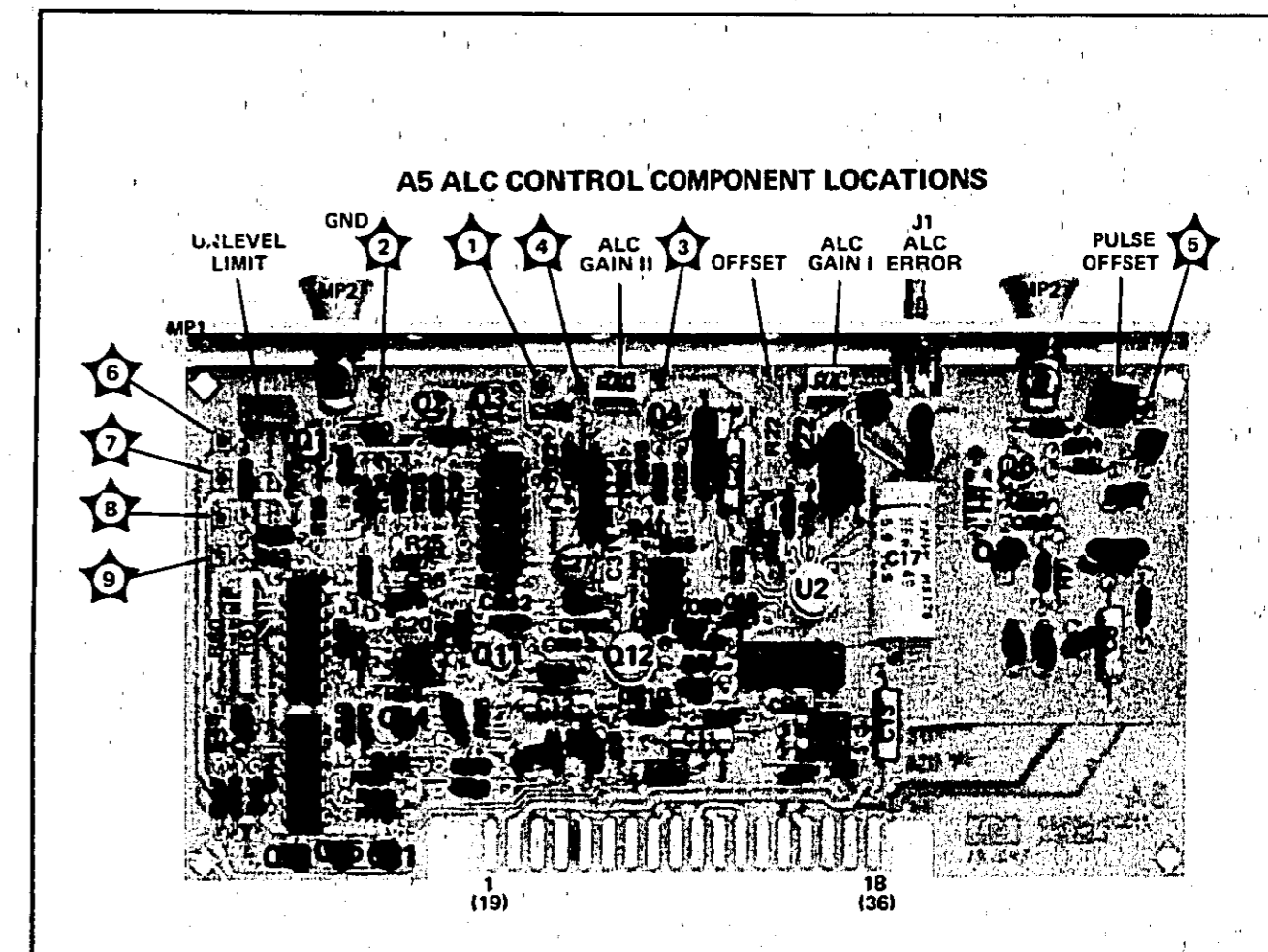


Figure 8-38. ALC Control Component Locations

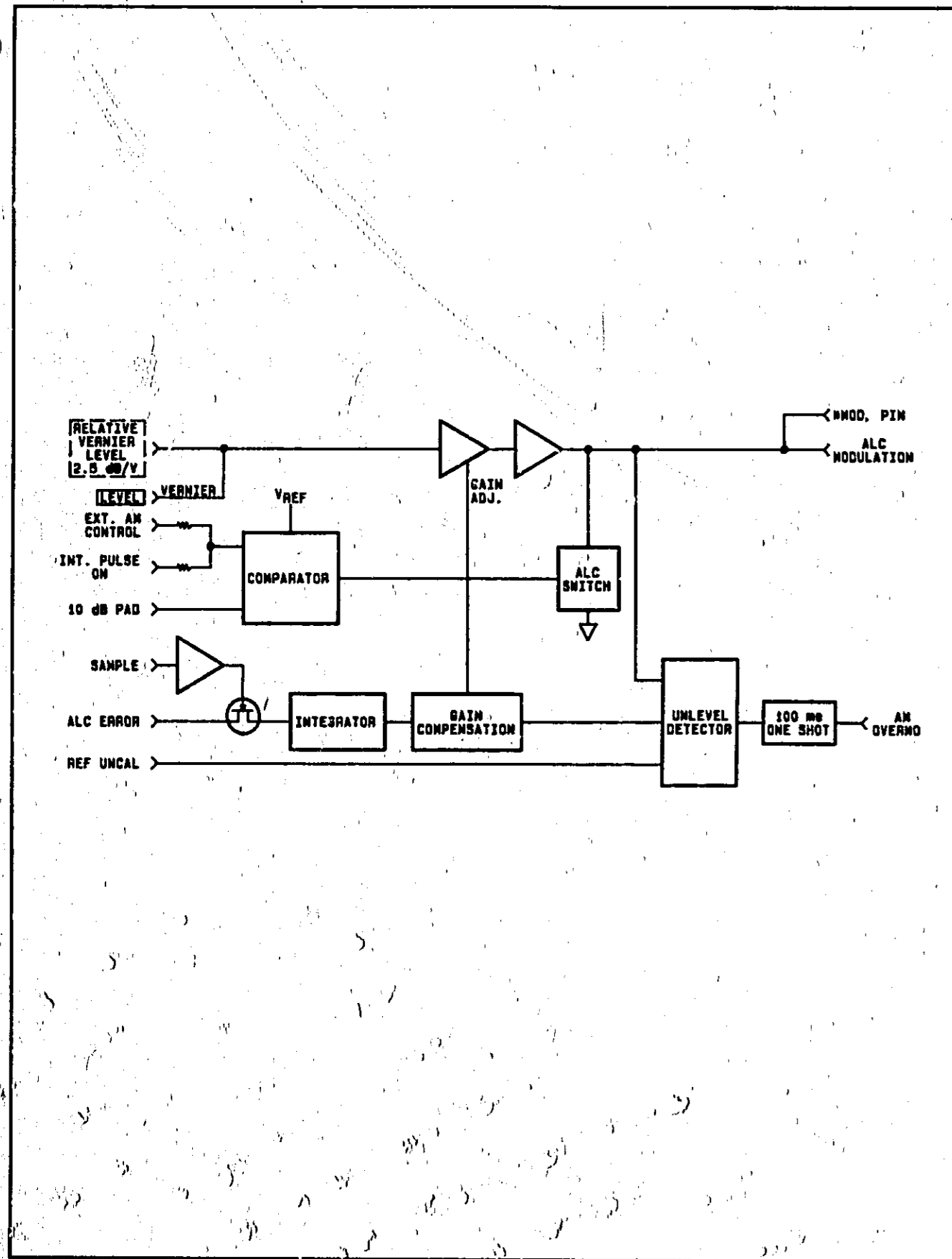


Figure 8-39. ALC Control Simplified Block Diagram

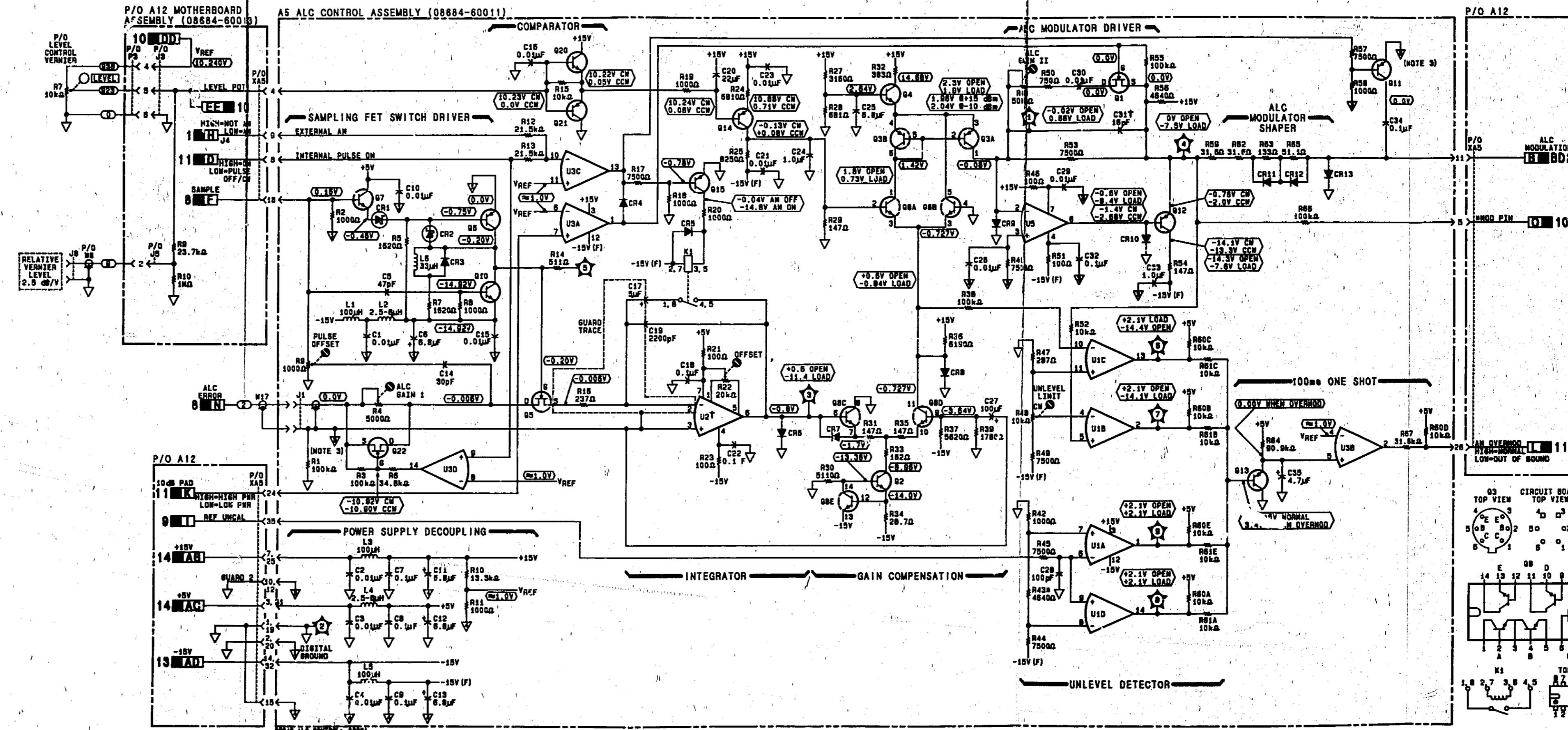


Figure 8-40. ALC Control Schematic Diagram

- NOTES
- REFER TO TABLE 8-2 FOR SCHEMATIC DIAGRAM NOTES.
 - PHENOMENA PRECEDED BY AN ASTERISK (*) ARE SIGNAL LINES USED BY THE MICROPROCESSOR. REFERENCE DESIGNATIONS FOLLOWED BY AN ASTERISK (*) ARE FACTORY SELECTED COMPONENTS. THE TYPICAL VALUE IS SHOWN. REFER TO SECTION V FOR SELECTION PROCEDURE.
 - GROUNDS TWO AND THREE, AND FOUR ARE SPECIAL GROUND PLANES FOR SMALL PORTIONS OF THE CIRCUITRY.
 - VOLTAGES LABELED OPEN REFER TO THE ALC ERROR INPUT DISCONNECTED. VOLTAGES LABELED LOAD REFER TO THE ALC ERROR INPUT WITH A 90Ω LOAD CONNECTED TO IT.
- ↑ INDICATES CIRCUIT CHANGE. SEE SECTION VII.

LOGIC LEVELS

| | |
|--------------------------|--------------------------|
| HIGH | >2V |
| LOW | <0.8V |
| < 1Ω MORE NEG. THAN OPEN | > 15 MORE POS. THAN OPEN |
| OPEN | HIGH |
| GROUND | LOW |

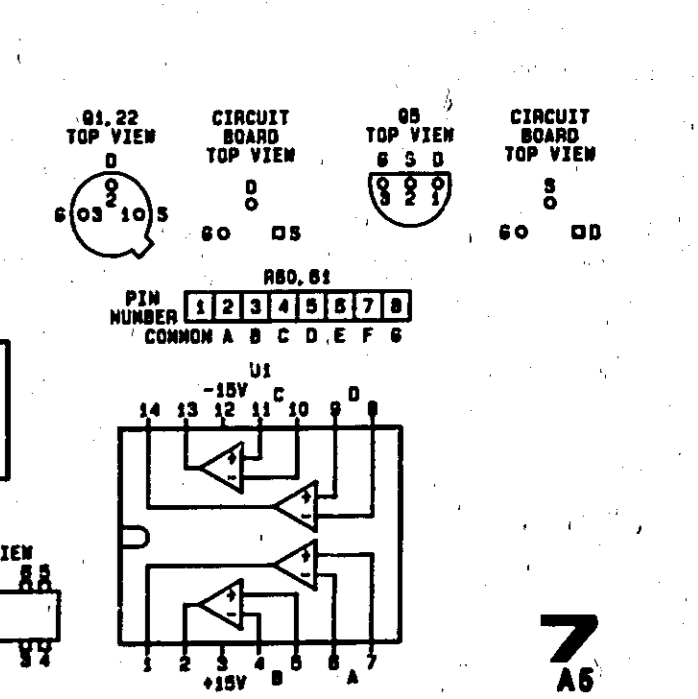
REFERENCE DESIGNATIONS

| NO PREFIX | A5 (CONT) | REFERENCE DESIGNATION | PART NUMBER |
|-----------|--------------------|-----------------------|-------------|
| J8 | Q1-8, 10-15, 20-22 | Q1 | 1885-0414 |
| J9 | Q1-8, 10-15, 20-22 | Q2, 4 | 1884-0477 |
| J7 | R1-25, 27-87 | Q3 | 1885-0810 |
| W5, 8 | U1-3, 5 | Q5 | 1885-0881 |
| | | Q6 | 1883-0034 |
| | | Q7, 10 | 1884-0071 |
| | | Q8 | 1885-0052 |
| | | Q9 | 1883-0281 |
| | | Q11 | 1883-0314 |
| | | Q12 | 1883-0458 |
| | | Q20 | 1884-0810 |
| | | Q21-15, 21 | 1885-0420 |
| | | Q22 | 1885-0130 |
| | | U1, 3 | 1828-0801 |
| | | U2T | 1828-0801 |
| | | U3 | 1828-0783 |

NOT ASSIGNED: Q9, 16-19; R26; U4

TRANSISTOR AND INTEGRATED CIRCUIT PART NUMBERS

| NO PREFIX | A5 (CONT) | REFERENCE DESIGNATION | PART NUMBER |
|-----------|-----------|-----------------------|-------------|
| | | Q1 | 1885-0414 |
| | | Q2, 4 | 1884-0477 |
| | | Q3 | 1885-0810 |
| | | Q5 | 1885-0881 |
| | | Q6 | 1883-0034 |
| | | Q7, 10 | 1884-0071 |
| | | Q8 | 1885-0052 |
| | | Q9 | 1883-0281 |
| | | Q11 | 1883-0314 |
| | | Q12 | 1883-0458 |
| | | Q20 | 1884-0810 |
| | | Q21-15, 21 | 1885-0420 |
| | | Q22 | 1885-0130 |
| | | U1, 3 | 1828-0801 |
| | | U2T | 1828-0801 |
| | | U3 | 1828-0783 |



**SERVICE SHEET 3
ALC DETECTOR AMPLIFIER**

PRINCIPLES OF OPERATION

General

The ALC Detector Amplifier Assembly, A6, contains four circuits. However, only one circuit, the one that produces the ALC Error signal, is used by the ALC loop. The other three circuits produce signals that are used elsewhere in the Signal Generator.

The first major circuit compares the voltage levels from the ALC Microwave Detector and the ALC Reference Detector. From this comparison comes a voltage called ALC Error whose amplitude is the difference between the two voltages being compared. This ALC Error voltage is processed by circuitry shown on Service Sheet 7 and ultimately used to change the attenuation of the ALC Attenuator in the Power Amplifier (Service Sheet BD2). Thus, the ALC Error signal causes the leveling of the power output of the signal generator.

The second and third circuits involve two 1 kHz oscillators (one called the 1 kHz Oscillator and the other called the FM Sawtooth Generator). The 1 kHz Oscillator generates a square wave used in pulse modulation. The FM Sawtooth Generator produces a sawtooth used in frequency modulation. The Internal FM Sawtooth signal is sent to the FM INPUT/OUTPUT connector and through the FM CAL potentiometer to the FM Shaper Assembly (Service Sheet 12). It is not used by the ALC loop.

Pulse Modulator Driver

The Pulse Modulator Driver, the fourth major circuit, is fed by the 1kHz square wave, produced by the 1kHz Oscillator. The Pulse Modulator Driver is also fed by the front panel ALC PULSE input. The signal produced by the Pulse Modulator Driver is fed to the Pulse Modulator.

Detector Amplifier

The microwave and 30 MHz signals received from the ALC Reference Board are immediately detected and fed to gates of two FETs in a differential amplifier. The output of this amplifier is taken from the collector of Q14 and fed to a quasi-complementary amplifier made up of Q8, Q9 and Q7. The base of Q8 receives an input from integrated circuit amplifier U4.

U4 acts to minimize any dc offset in the overall detector amplifier. Notice that its positive input has a feedback path from the emitter of Q7. The integrated circuit and the transistors that follow it end up with a voltage gain of 10, set by the ratio of the values of R52 and R44. Detector amplifier offset is adjusted as close to zero volts as possible when both inputs to the ALC Detector Amplifier Assembly are at zero. This arrangement of an FET amplifier with an integrated amplifier in parallel provides both high speed with the FETs and good dc accuracy with the integrated circuit.

SERVICE SHEET 8 (cont'd)

Yet another differential amplifier, U7, monitors the detector voltages to generate a diagnostic voltage called *Det Diff, used by the microprocessor to check the ALC loop. When the loop is leveled, this voltage is very near zero (about 0.01 V). If the signal from the Microwave Detector is missing, the *Det Diff voltage goes to nearly +15 volts; if the output signal from the Reference Detector circuit is missing, the situation is not nearly so clear. On a transient basis the voltage approaches -15 volts but the loop would interpret the lack of a reference signal as a command to reduce the output power of the ALC loop as low as possible. With the microwave signal turned off as much as possible, the detector differential will be slightly positive, very close to the voltage when leveled. The front panel UNLEVEL indicator would turn on under these circumstances because the residual power level is greater than zero.

TROUBLESHOOTING

There are three independent circuits on this board. Choose the starting place that deals with the type of malfunction being investigated.

ALC Problems, start with step 1.

Pulse Problems, start with step 8.

FM Problems, start with step 13.

ALC Problems

1. Set the front panel LEVEL range and vernier controls to get a display of -10 dBm with all modulation off and CABLE OFFSET off. Select Test 10. The display in the frequency window should be very close to 0 volts. Since you are troubleshooting ALC problems, it probably will be some other value.
2. Disconnect the 30 MHz REF input and the microwave input to the board (located on the side of the board). Terminate both inputs with 50Ω loads. Connect a dc voltmeter to A6J4. The meter should read $0 \pm 10 \mu\text{Vdc}$. The board must be installed in its housing and screwed into place to make this measurement valid. If this voltage is correct, continue to step 6 for a few final checks of this board. If the voltage is not within limits, continue to the next step.
3. Put the A6 board on a 2x18 extender. Move the voltmeter to TP8. With the inputs still terminated it should read about +5.9 Vdc. If the voltage is incorrect, use the voltages on the schematic to troubleshoot the differential amplifier made up of Q14, Q15, and Q16. Otherwise continue to the next step.
4. Select Test 10. The indicated voltage should be near zero. If the voltage is correct, continue to the next step. If the voltage is incorrect, troubleshoot the differential amplifier made up of Q14, Q15 and Q16.
5. Measure the voltage at A6TP7. It should be $0 \pm 0.7 \text{ Vdc}$. If the voltage is correct, troubleshoot Q7, Q8 and Q9. Otherwise troubleshoot U4 and associated components.

SERVICE SHEET 8 (cont'd)

6. Disconnect the microwave input and 30 MHz REF input. Measure the voltage at A6TP5. The voltage should read about -25 mVdc. Disconnect the ALC ERROR output. The voltage at TP5 should not change significantly.
7. Reconnect the microwave input. This will require a longer coaxial cable with SMC connectors. The signal at TP5 should read about 2.6 Vdc. Reconnect the ALC ERROR output. TP5 should drop to about 2 mVdc. If the voltage swings both positive and negative at the correct levels, the ALC part of this board is working properly. Otherwise, troubleshoot the differential amplifier and U4.

Pulse Problems

8. Install the board on an extender for these measurements.
9. Return service switch to NORM. Select INTERNAL PULSE mode. Measure signal at edge connector pin 18 on an oscilloscope. It should be a 1 kHz square wave with an amplitude of 13 Vp-p with the low level at -9 volts. If this signal is correct, go to step 11.
10. Measure the signal at A6TP2 on the oscilloscope. It should be a 1 kHz square wave of 3 Vp-p. If the signal is correct, troubleshoot the pulse modulator driver, otherwise troubleshoot the 1 kHz oscillator made of U6 and associated components.
11. Select EXTERNAL PULSE mode and connect a pulse modulator to the PULSE INPUT. Set a pulse width of 1 ms with a rate of 2 kHz and amplitude of > 1 V peak. The oscilloscope should show this pulse at edge connector pin 18 with an amplitude of 13 Vp-p. If the signal is missing, continue to the next step. Otherwise go to Block Diagram 2 to troubleshoot the Pulse Modulator.
12. Check the signal called ALC PULSE that enters this board at A6J2 on the green coax. If the signal is present at this point, with an amplitude > 4 Vp-p, troubleshoot A6U3B, A6U2D and associated components. Otherwise, go to Service Sheet 6 to continue troubleshooting.

FM Problems

13. Connect oscilloscope to the front panel FM INPUT/OUTPUT connector. Press the FM INT key. Rotate FM vernier fully clockwise. The sawtooth amplitude should be 2.3 Vp-p at 1 kHz rate. If the signal is correct continue to the next step, otherwise go to step 17.
14. Press the FM INT key again to turn off the sawtooth. If the signal disappears, this portion of the FM circuit is working properly. If there are FM problems, go to Service Sheet 12 to continue troubleshooting.
15. Press FM INT. Observe the signal at A6U1 pin 14. This should be a sawtooth of about 2.3 Vp-p. If the signal is present, troubleshoot Q1, Q3 and Q4, otherwise continue to the next step.

SERVICE SHEET 8 (cont'd)

16. Measure the voltage at the base of Q2. It should be about 4.3 Vdc when INTERNAL FM is selected and about 3.7 Vdc otherwise. If the levels are correct, troubleshoot Q2 and the U1 sawtooth generator. Otherwise measure the switching signal at edge connector pin 9. It should be < 0.7 Vdc with INTERNAL FM selected and a logic high at other times. If it is correct, replace U2. Otherwise go to Service Sheet 1 to continue troubleshooting.

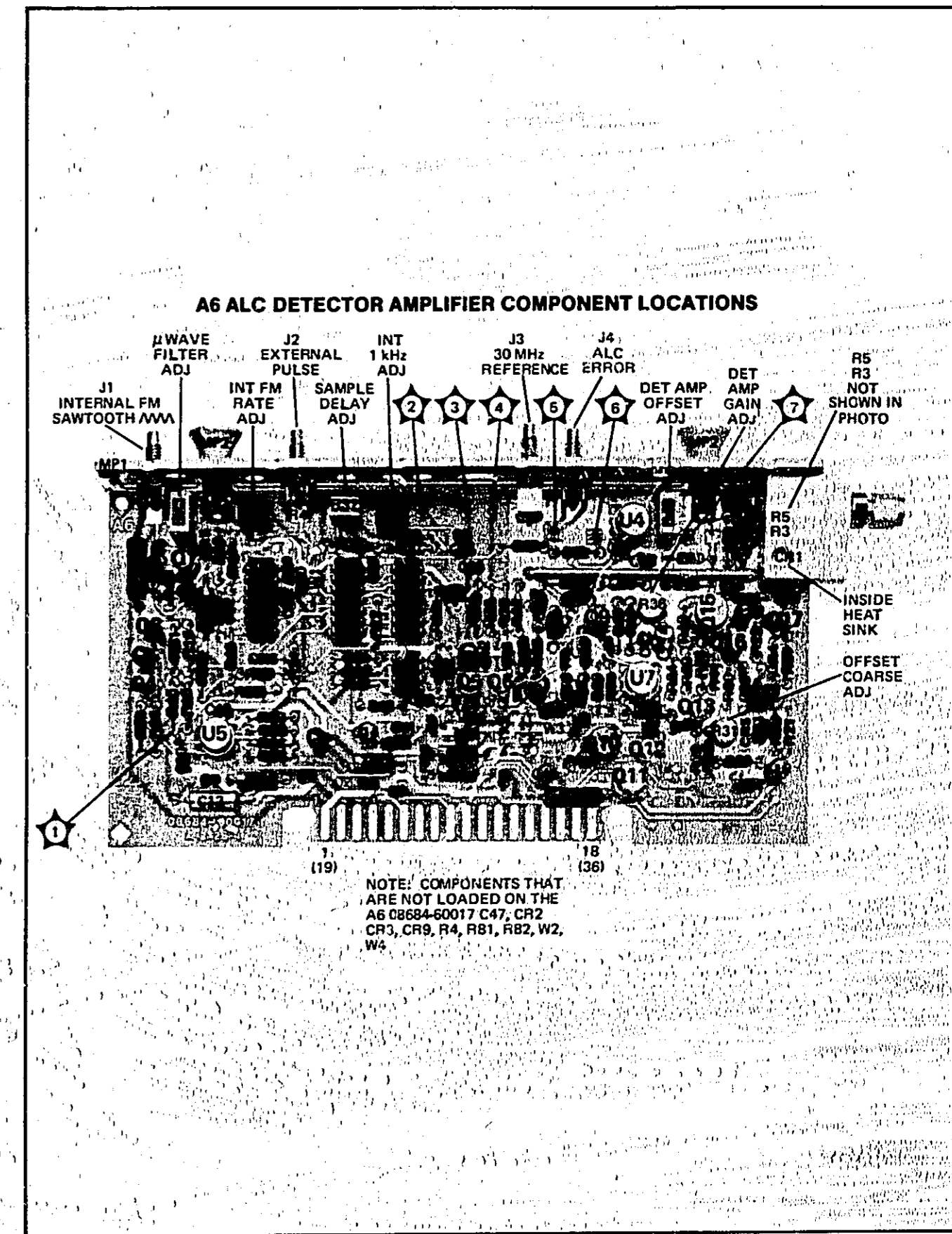


Figure 9-41. ALC Detector Amplifier Component Locations



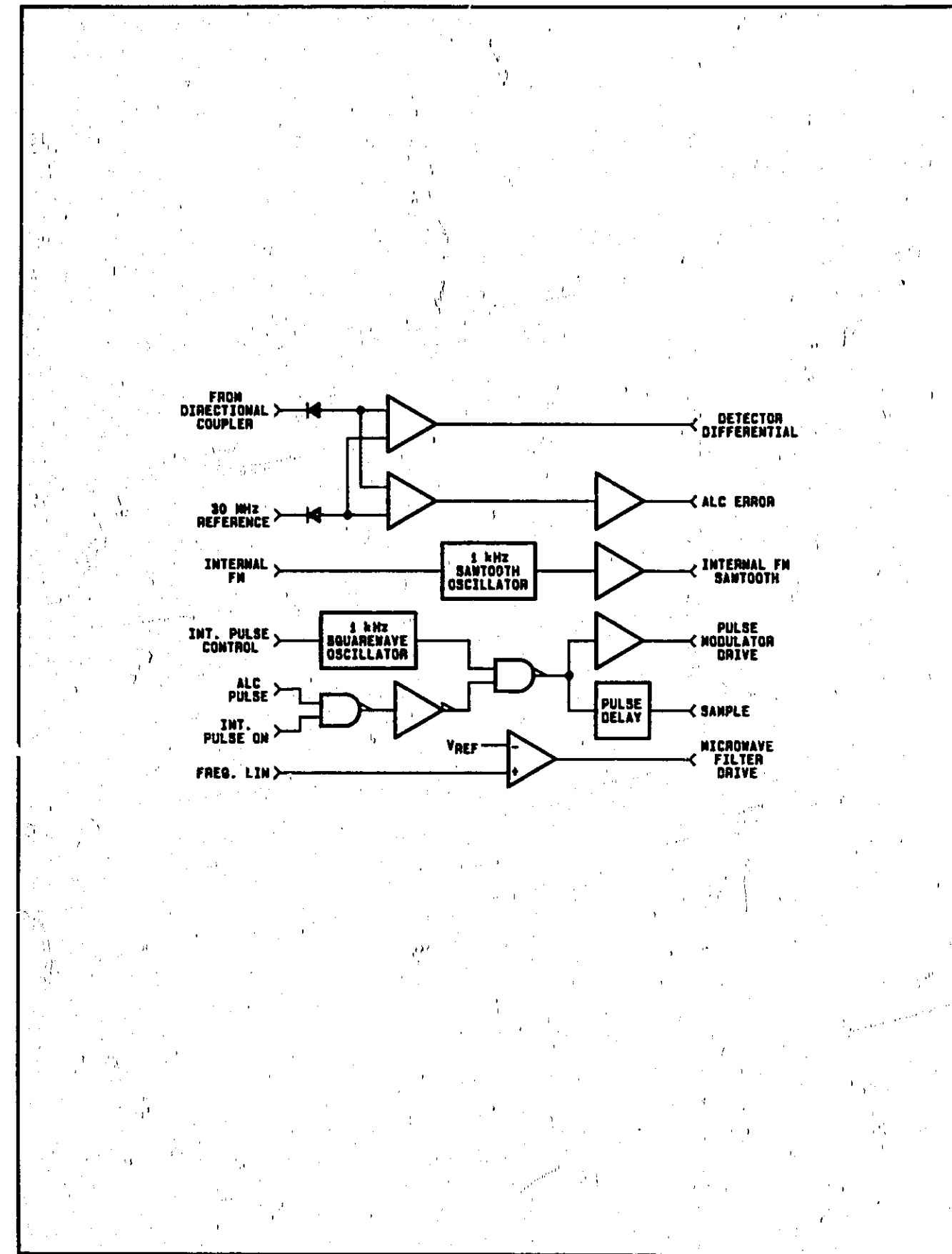


Figure 8-42. ALC Detector Amplifier Simplified Block Diagram

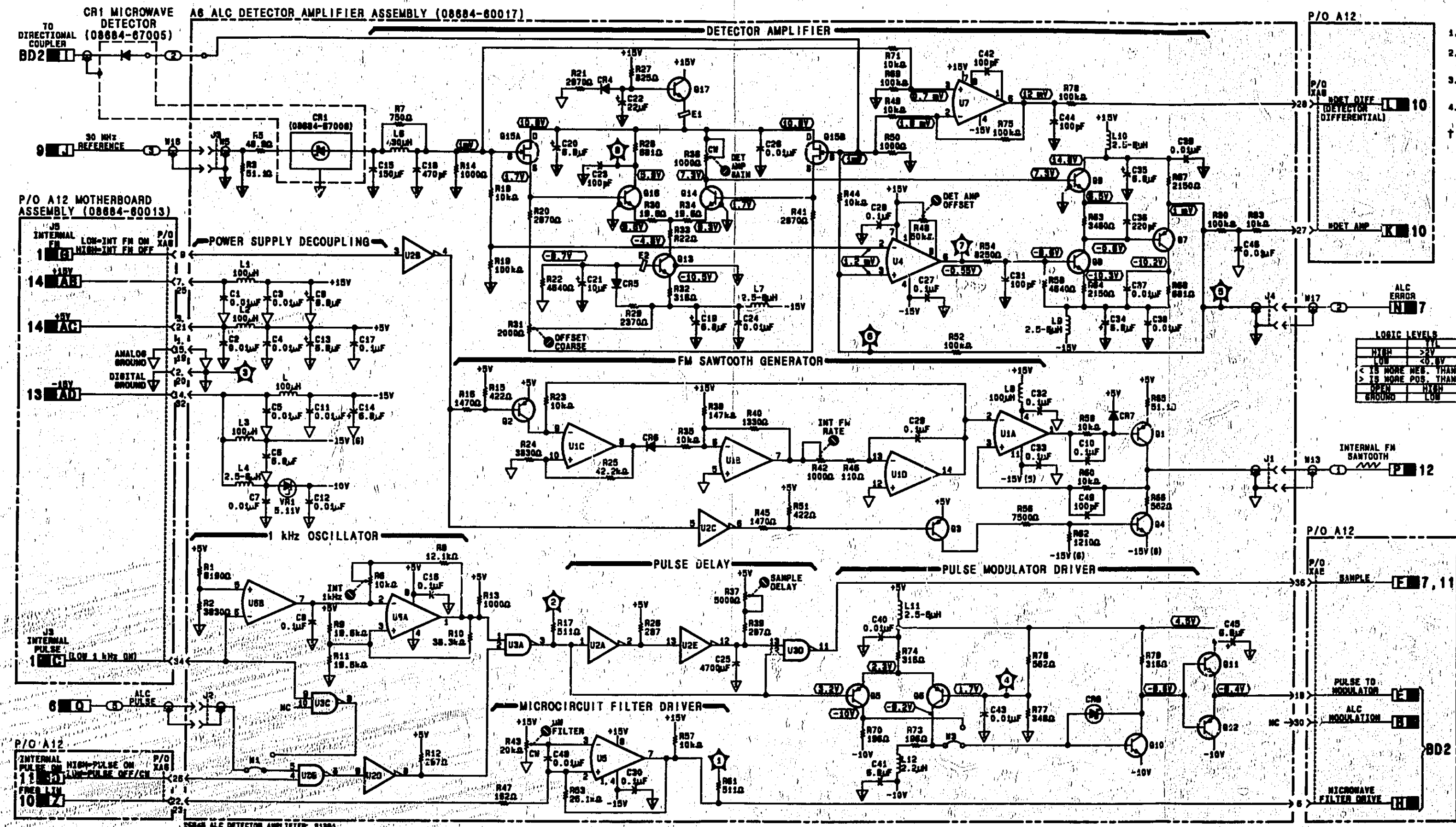


Figure 8-43. ALC Detector Amplifier Schematic Diagram

- NOTES
- REFER TO TABLE 8-2 FOR SCHEMATIC DIAGRAM NOTES.
 - WAVEFORMS PRECEDED BY AN ASTERISK (*) ARE SIGNAL LINES USED BY THE MICROPROCESSOR.
 - GROUND TWO (G2) IS A SPECIAL GROUND PLANE AROUND DETECTOR AMPLIFIER CIRCUITRY.
 - VOLTAGE MEASURED WITH 50 MHz REF AND MICROWAVE INPUTS BOTH TERMINATED WITH 50Ω LOADS. † INDICATED CIRCUIT CHANGE. SEE SECTION VII.

REFERENCE DESIGNATIONS

| NO PREFIX | AB COM. |
|---------------|-------------|
| CR1 | 81-17 |
| M13, 16, 17 | R1-3, 5-94, |
| | 58-7 |
| AB | 72-80, 83 |
| | 71-8 |
| C1-48, 48, 49 | U1-7 |
| CR1, 4-8 | M1, 3 |
| J1-4 | V1 |
| L1-12 | A12 |
| | XAB |

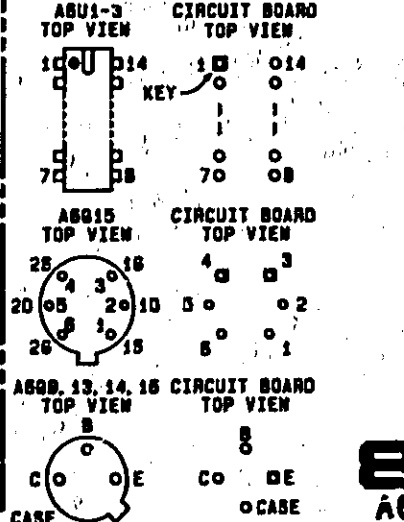
NOT ASSIGNED: C50 & R55, 72; M1, 3

TRANSISTOR AND INTEGRATED CIRCUIT PART NUMBERS

| REFERENCE DESIGNATION | PART NUMBER |
|-----------------------|-------------|
| Q1 | 1823-0281 |
| Q2, 3, 7 | 1823-0458 |
| Q4, 17 | 1824-0477 |
| Q5, 6, 12 | 1823-0374 |
| Q8 | 1824-0810 |
| Q8, 13, 14, 16 | 1824-0345 |
| Q10, 11 | 1824-0247 |
| Q15 | 1826-0282 |
| U1 | 1826-0522 |
| U2 | 1820-0684 |
| U3 | 1820-0681 |
| U4 | 1826-0471 |
| U5 | 1826-0026 |
| U6 | 1826-0412 |
| U7 | 1826-0056 |

INTEGRATED CIRCUIT VOLTAGE AND GROUND CONNECTIONS

| REFERENCE DESIGNATION | VOLTAGE | PIN NUMBER |
|-----------------------|---------|------------|
| U2, 3 | +5V | 14 |
| U2, 3 | -15V | 14 |



**SERVICE
INFORMATION
DON'T**

SERVICE SHEET 9

ALC REFERENCE

PRINCIPLES OF OPERATION

30 MHz Oscillator

The heart of the ALC Reference assembly is a free-running oscillator made up of two FETs, Q6 and Q7. The 30 MHz output frequency is determined by tank circuit L7 and C32. Precise frequency is not critical for proper ALC operation. The drain of Q6 is RF grounded via two 0.01 μ F capacitors, C22 and C24. The circuitry going to the +15V supply is power supply decoupling and is not involved with the oscillator itself. It is important however that decoupling capacitors C22 and C24 are intact.

The oscillator amplitude is about 20 volts peak-to-peak at the drain of Q7. This signal is coupled to the Reference Modulator circuit via a few turns of wire wrapped around L7. This combination of L7 and the few turns of wire forms a 7 to 1 step down transformer called T1. (The primary winding can be replaced separately by unsoldering the leads and carefully pulling the molded inductor out from inside the secondary winding.)

Reference Modulator and 30 MHz Peak Detector

The Reference Modulator and the 30 MHz Peak Detector are part of a small leveling loop. The output from the detector is fed back to amplifier U2, which generates an error signal to drive the Reference Modulator and level the output of the 30 MHz Oscillator. Because it has to work at only one frequency, the results are very accurate, typically within 0.01 dB for a given output power at a particular microwave frequency. The accuracy of this level is not guaranteed but if it varies by a significant amount there is reason for further checking. When the microwave frequency is tuned, the reference amplitude will change because it tracks level correction data stored in an EPROM on the Central Processing Unit (CPU) Assembly.

Digital Power Control

The amount of voltage delivered by the reference leveling loop (30 MHz Oscillator, Reference Modulator, 30 MHz Peak Detector) is determined by the negative input to operational amplifier U2. Ultimately that input is set by the microprocessor in response to the microwave frequency, the front panel LEVEL range and vernier controls, and the rear panel Cable Offset control. The level is also determined by the amplitude modulation INPUT from the front panel connector when EXT AM is selected by the operator.

The microprocessor reads the settings of the Range, Vernier, Cable Offset and Frequency controls. From all of these settings it determines what power the ALC loop should be delivering. The Microprocessor translates that information into 12 lines (or bits) of digital information. Ten of the lines are linearly encoded and two are logarithmically encoded. With this combination of log and linear there is a total dynamic range of 60 dB, not all of which is used. (Usually only about 48 dB of the total dynamic range is needed.) When

SERVICE SHEET 9 (cont'd)

external AM is selected, the AM Input signal is fed through several circuits to the Vref(-) input of U6 (a digital to analog converter) along with the -6.2 V reference (from U11), thereby modulating the output current from the converter.

The 30 MHz signal at the Reference Output connector has an amplitude of about 2 volts peak-to-peak when the LEVEL vernier is fully clockwise in the 0 dBm power range and about 2.5 volts peak-to-peak in the +10 dBm range. With the vernier fully counterclockwise in the 0 dBm range, there is barely enough signal to measure on an oscilloscope although it can be easily seen on a spectrum analyzer.

TROUBLESHOOTING

1. Disconnect the orange coax cable connected to A7J1. Attach an oscilloscope to J1. Set the Signal Generator controls for a reading of 0 dBm on the highest power range. The 30 MHz signal should be about 0.56 V_{p-p} \pm 0.05 V_{p-p}. The voltage will rise slightly at the top of the band since the reference level changes with the microwave frequency to compensate for increasing loss in the microwave chain. If the voltage is correct you are probably looking in the wrong place for a problem. The exact frequency of the ALC Reference signal is not critical.
2. Increase the front panel setting to +15 dBm. The voltage should rise in small steps as the vernier is rotated up to 3.4 V_{p-p}.
3. Lower front panel setting to +10 dBm. The voltage should drop to 0.17 V_{p-p}.
4. Select the next lower power range (called the 0 dBm range). The front panel display should drop to -20 dBm and the reference voltage should drop to about 0.08 V_{p-p}. Rotate the vernier clockwise. The voltage should rise to about 0.56 V_{p-p} at a setting of +5 dBm.
5. If everything is correct so far, the ALC reference is working well. If any of the voltages are incorrect, go to step 9.
6. The next steps check the AM positive and negative peak detectors. Select EXTERNAL AM and attach a test oscillator to the AM INPUT. Set the test oscillator to 5 kHz at 1 volt peak (0.7 V_{rms}). Set the SERVICE switch on the A9 board to DIAG. Select Test 19. The FREQUENCY display shows the positive peak voltage. Vary the AM vernier; the displayed voltage should change linearly with changes in AM vernier and AM input voltage. With 1 volt peak applied to the AM INPUT connector and the AM vernier fully clockwise, the display should read close to 1 volt.
7. Select Test 20. This shows the negative peak voltage. Again vary the AM vernier and watch for linear changes. With 1 volt applied to the AM INPUT connector and the AM vernier fully clockwise, the display should read close to 1 volt. A difference of 1-2% between the positive and negative peak readings should be no cause for concern.

SERVICE SHEET 9 (cont'd)

8. If both positive and negative peak detectors are operating properly, this board is working properly (with the possible exception of a problem with the least significant ALC bit). If only one of the peak detectors gives normal response, troubleshoot the other one. If neither works properly, check the external AM buffer and the external AM switching circuit made up of Q2 and Q4.
9. Switch LEVEL Range to +10 dBm and FREQUENCY to 10 GHz. Attach a dc voltmeter to A7TP4. Rotate the ALC vernier fully clockwise. The voltage should read 6.18 Vdc. Rotate the vernier fully counterclockwise. The voltage should read 0.27 Vdc. If the voltages are correct, the problem is in the 30 MHz reference oscillator or reference modulator. Use the voltages on the schematic to isolate the problem. You may also wish to carefully feel the cases of Q3, Q8 and Q9. If the oscillator has failed, these transistors will get very warm, since they will be turned on all the way in an attempt to get the proper voltage level from the oscillator.
10. If the voltage range at A7TP4 is incorrect, attach the voltmeter to A7TP3. This voltage varies as shown in Figure 8-44. If this voltage is correct, measure U1B pins 5 and 6. They should be equal. If they are equal, the multiplexer, U5, is probably defective. If the inputs to U1B are not equal, then the problem is probably in U1B or associated components.

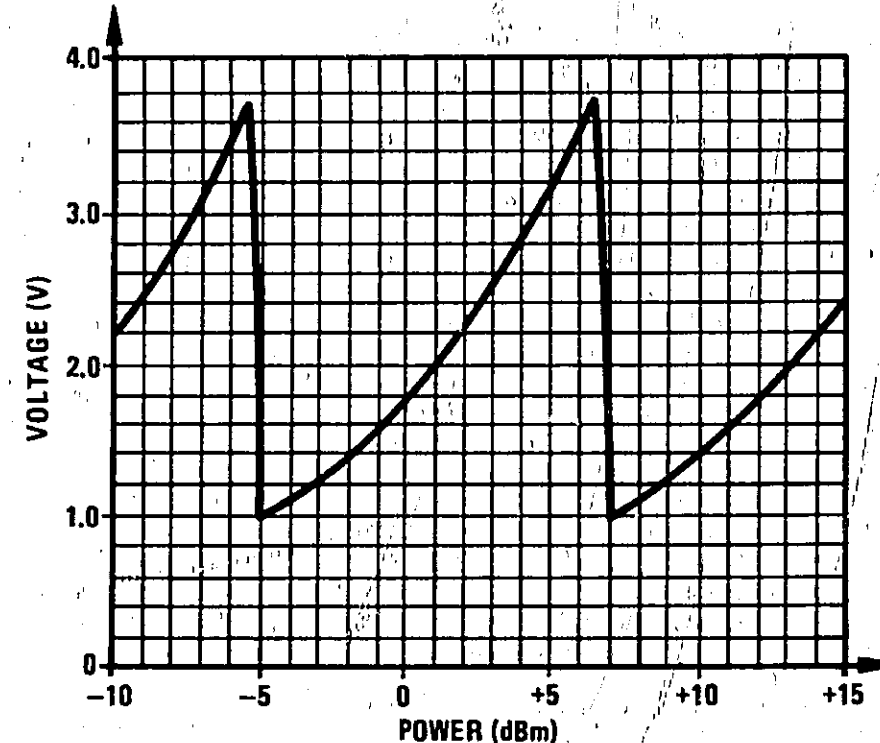


Figure 8-44. Voltage at A7TP3 vs. Power Output

11. Select Test 01. The FREQUENCY display should show 6.2V very closely. If this voltage is correct, suspect a problem with U6. If the voltage is incorrect, troubleshoot U1D and associated components.

← ALC Detector Amplifier
A6
SERVICE SHEET **8**

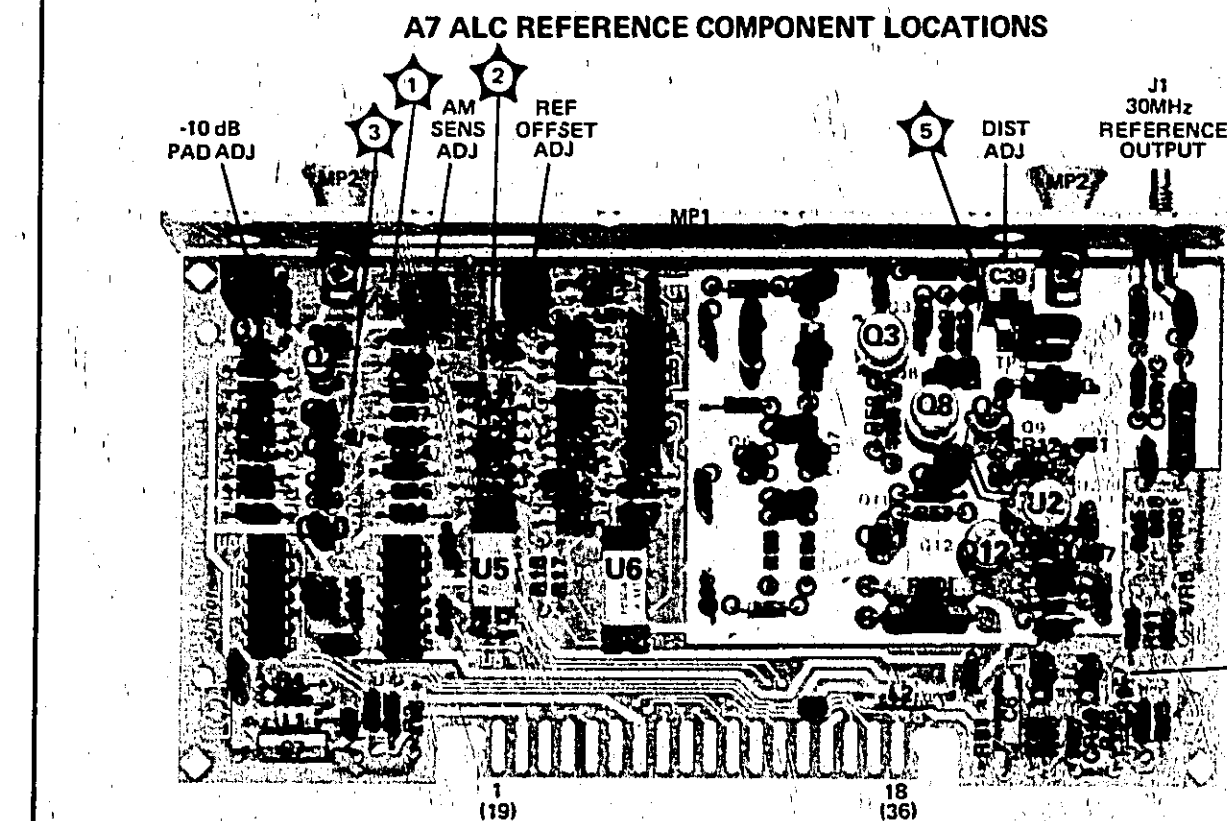


Figure 8-45. ALC Reference Component Locations

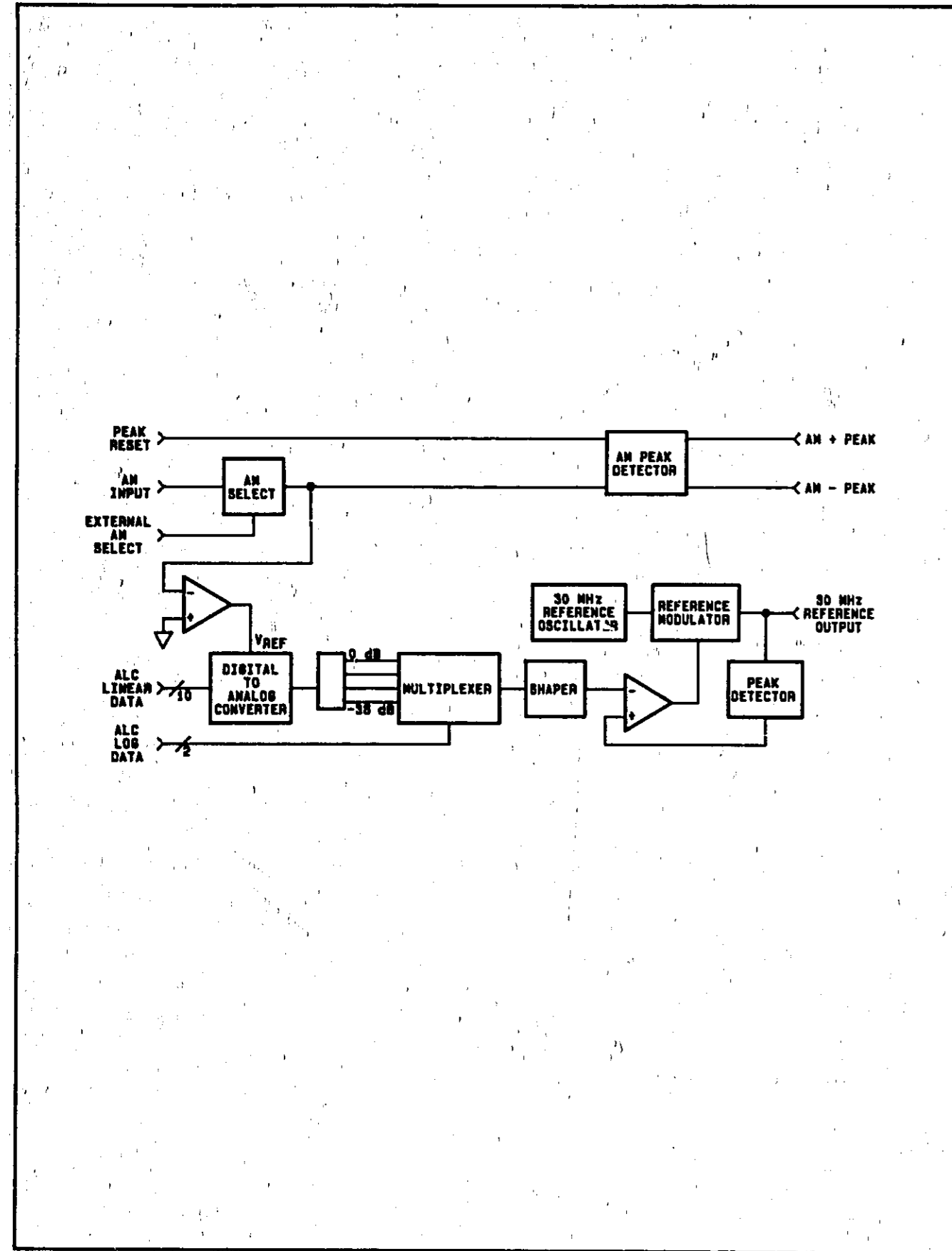


Figure 8-46. ALC Reference Simplified Block Diagram

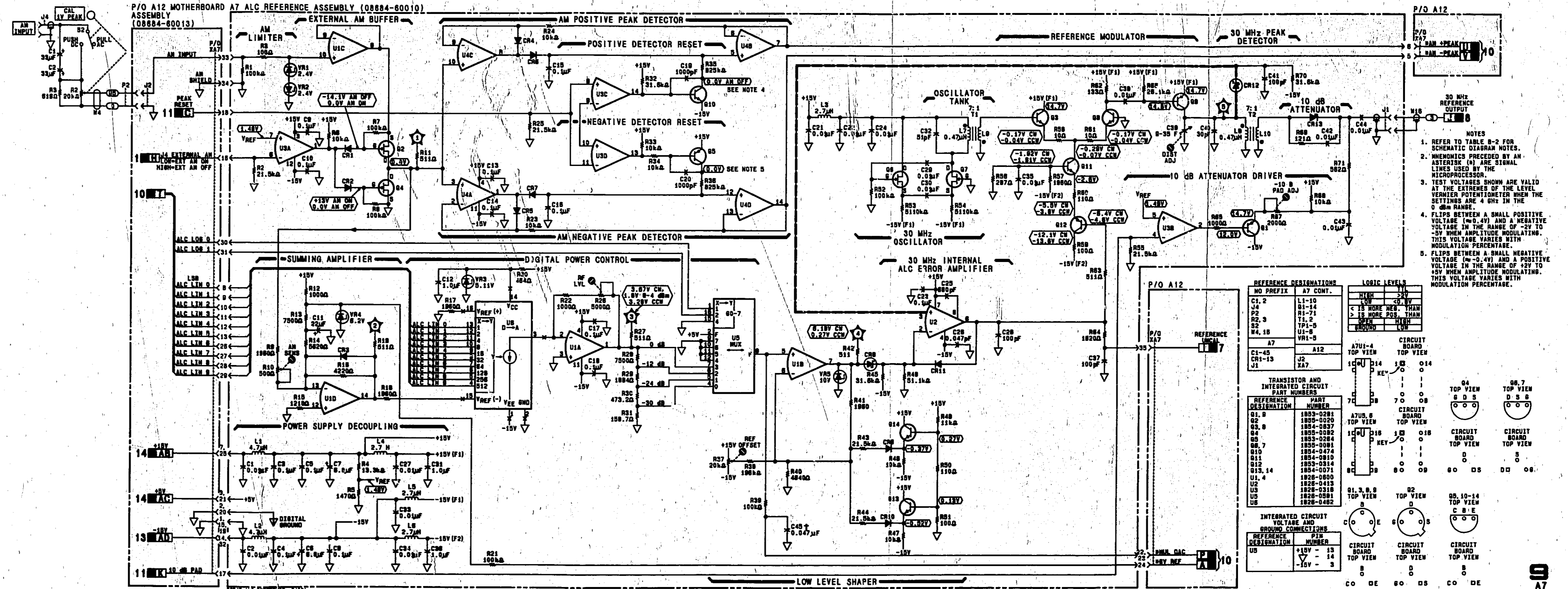


Figure 8-47. ALC Reference Schematic Diagram

- NOTES
- REFER TO TABLE B-2 FOR SCHEMATIC DIAGRAM NOTES.
 - WAVEFORMS PRECEDED BY AN ASTERISK (*) ARE SIGNAL LINES USED BY THE MICROPROCESSOR.
 - TEST VOLTAGES SHOWN ARE VALID AT THE EXTREMES OF THE LEVEL VERNIER POTENTIOMETER WHEN THE SETTINGS ARE 4 GHz IN THE 0 dB RANGE.
 - FLIPS BETWEEN A SMALL POSITIVE VOLTAGE (+0.4V) AND A NEGATIVE VOLTAGE IN THE RANGE OF -2V TO -3V WHEN AMPLITUDE MODULATING. THIS VOLTAGE VARIES WITH MODULATION PERCENTAGE.
 - FLIPS BETWEEN A SMALL NEGATIVE VOLTAGE (-0.4V) AND A POSITIVE VOLTAGE IN THE RANGE OF +2V TO +3V WHEN AMPLITUDE MODULATING. THIS VOLTAGE VARIES WITH MODULATION PERCENTAGE.

REFERENCE DESIGNATIONS

| NO PREFIX | A7 CONT. | LOGIC LEVELS |
|-----------|---------------------|---------------------|
| C1, 2 | L1-10 | 0V |
| C3 | B1-14 | 2.5V |
| P2 | < IS MORE NEG. THAN | 0V |
| R2, 3 | R1-71 | > IS MORE POS. THAN |
| R2 | T1, 2 | OPEN |
| N4, 16 | TPI-5 | GROUND |
| | U1-6 | LOW |
| | VRI-5 | |

TRANSISTOR AND INTEGRATED CIRCUIT PART NUMBERS

| REFERENCE DESIGNATION | PART NUMBER | CIRCUIT BOARD TOP VIEW | CIRCUIT BOARD TOP VIEW |
|-----------------------|-------------|------------------------|------------------------|
| Q1, 8 | 1853-0281 | | |
| Q2, 8 | 1855-0020 | | |
| Q3, 8 | 1854-0837 | | |
| Q4 | 1855-0082 | | |
| Q5 | 1853-0284 | | |
| Q6, 7 | 1855-0081 | | |
| Q10 | 1854-0474 | | |
| Q11 | 1854-0810 | | |
| Q12 | 1853-0314 | | |
| Q13, 14 | 1854-0071 | | |
| U1, 4 | 1826-0000 | | |
| U2 | 1826-0413 | | |
| U3 | 1826-0318 | | |
| U5 | 1826-0581 | | |
| U6 | 1826-0482 | | |

INTEGRATED CIRCUIT VOLTAGE AND GROUND CONNECTIONS

| REFERENCE DESIGNATION | PIN NUMBER | CIRCUIT BOARD TOP VIEW | CIRCUIT BOARD TOP VIEW | CIRCUIT BOARD TOP VIEW |
|-----------------------|------------|------------------------|------------------------|------------------------|
| U5 | +15V - 13 | | | |
| | -15V - 14 | | | |
| | -15V - 3 | | | |

SERVICE SHEET 10

INPUT/OUTPUT

PRINCIPLES OF OPERATION

General

The Input/Output (I/O) Assembly translates analog inputs from various places in the Signal Generator into digital signals for use by the microprocessor on the Central Processing Unit (CPU) Assembly. The I/O Assembly also generates an analog output voltage that tracks the microwave output frequency and a set of ten linear and two logarithmic digital outputs to control ALC power.

Digital-to-Analog Converter (DAC) and Analog-to-Digital Comparator (ADC)

A variety of analog signals come to the I/O Assembly from the Signal Generator. Twenty-nine signals are scanned by the microprocessor. The microprocessor cannot tolerate analog signals directly; they must first be converted into a digital format. A technique called successive approximation is employed in the conversion. The DAC on the I/O Assembly is given a digital input from the microprocessor that sets its most significant bit true and all other input bits false. This sets the output voltage halfway between the lowest and the highest voltages the DAC can deliver. The output voltage of the DAC is compared to one of the analog signals that enters the board. The result of the comparison, which is done by A8U13, is either a high or a low signal. This signal is sent to the microprocessor via a 3-state buffer (A8U4) that drives the data bus back to the microprocessor. The microprocessor will decide whether the actual voltage level it is trying to determine is less than or greater than the halfway voltage that it used for its first guess. If the signal is high, the voltage is somewhere between 50% and 100% of the DAC output range. If the signal is low, the actual voltage is something less than the half voltage first guess. At this point, the first "bit" produced as a result of the comparison is in fact the most significant bit of the byte that will correspond to the exact voltage level.

In the next step of the successive approximation technique the microprocessor sets the second bit of the DAC input high. The highest order bit is either high or low depending on the result of the first comparison. The new voltage used for comparison is either 75% or 25% of the range of the DAC. This new voltage is again either higher or lower than the voltage being measured. This bit is sent to the microprocessor that will then know the first two most significant bits of the byte. This process repeats a total of twelve times until all twelve bits have been determined. This is basically a computer controlled digital voltmeter.

SERVICE SHEET 10 (cont'd)

TROUBLESHOOTING

1. Connect a dc voltmeter to the rear panel FREQUENCY 0 to 10V FULL BAND connector. Tune to the lowest obtainable frequency. The voltmeter should read 0.0 ± 0.1 volts, and be stable to two decimal places.
2. Tune to the highest obtainable frequency. The voltmeter should read 10.0 volts ± 0.1 volts, and be stable to three decimal places. If these voltages are correct, many of the major components on the I/O board are working properly. This also checks significant portions of the CPU board, A9. Continue to the following steps if the voltages are incorrect.
3. Remove the top cover and connect the dc voltmeter to A8TP4. Tune from the bottom of the band to the top of the band. The voltage should go from -10.00 ± 0.15 Vdc at the bottom of the band to $+10.00 \pm 0.15$ Vdc at the top. If these voltages are correct, continue to the next step. Otherwise go to step 10.
4. Set service switch to DIAG position and select Test 35. The front panel display should show 10.00 volts. Select Test 34 and the display should show -10.00 volts. A negative voltage is indicated by a flashing decimal point.
5. If the display does not indicate the proper voltages, connect dc voltmeter to A8TP6 and redo Tests 34 and 35. The voltages should be -10.000 and $+10.000 \pm 0.01$ Vdc. If the measured voltages are correct, the D to A converter is working. If the displayed voltages are incorrect, there is a problem related to the measurement portion of this board or a problem with the A9 CPU board. The following steps isolate such problems.
6. Measure the DAC reference voltage at A8TP2. It should read 10.240 ± 0.003 Vdc. If it is not within tolerance, but close, re-adjust it after you find the cause of the malfunction. The DAC will function with an incorrect reference, but with degraded accuracy. If the DAC reference is correct, continue to the next step, otherwise troubleshoot the Vref generator.
7. Connect dc voltmeter to A8TP5. Select Test 34. The voltmeter should read 0.0 ± 0.2 Vdc. Select Test 35. The voltmeter should read -10.0 ± 0.2 Vdc. If the voltages are correct, troubleshoot A8U2C circuitry.
Turn instrument off and place the A8 I/O assembly on extender boards before continuing.
8. Attach Signature Analyzer ground lead to A9GND and connect other Signature Analyzer leads as follows:
Start (A8U3 pin 4), rising edge
Stop (A8U3 pin 4), falling edge
Clock (A9 CLK), rising edge
9. Turn instrument on and select Test 33. Measure the signatures as shown in Table 8-15 on the data input lines to the DAC.

SERVICE SHEET 10 (cont'd)

Table 8-15. DAC Signatures

| A8U3 Pin # | Signature | Line Name |
|------------|-----------|-----------|
| 4 | 1013 | J3 |
| 5 | H839 | J2 |
| 6 | 19H3 | J1 |
| 7 | 46U2 | J0 |
| 8 | C7F0 | K7 |
| 9 | 32C5 | K6 |
| 10 | FH47 | K5 |
| 11 | 9H65 | K4 |
| 12 | 8H00 | K3 |
| 13 | C857 | K2 |
| 14 | 5587 | K1 |
| 15 | 9338 | K0 |

If the signatures are correct, troubleshoot U3, U1 and U2D.

10. Set the service switch on A9 to SA. Connect signature analyzer leads as follows:

Start A9TP9 (labeled A15), rising edge
Stop A9TP9 (labeled A15), falling edge
Clock A9TP8 (labeled CLK), falling edge
GND A9TP1

Measure signatures on A8U5 and A8U14 as shown in Table 8-16.

Table 8-16. Program Data Latch Signatures

| Pin # | A8U5 | A8U14 |
|-----------------|-------------------|-------------------|
| 1 | 0001 | 0001 |
| 2 | 0001 | 0001 |
| 3 | 79F4 | 1P99 |
| 4 | 1P99 | 79F4 |
| 5 | 0001 | 0001 |
| 6 | 0001 | 0001 |
| 7 | 2F21 | F700 |
| 8 | P700 | 2F21 |
| 9 | 0001 | 0001 |
| 10 | 0000 | 0000 |
| 11 ¹ | 60CA ¹ | CP4H ¹ |
| 12 | 0001 | 0001 |
| 13 | F162 | 66PU |
| 14 | 8P87 | F038 |
| 15 | 0001 | 0001 |
| 16 | 0001 | 0001 |
| 17 | F038 | 8P87 |
| 18 | 66PU | F162 |
| 19 | 0001 | 0001 |
| 20 | 0001 | 0001 |

¹For the Pin 11 signature, set start to falling edge.

SERVICE SHEET 10 (cont'd)

If these signatures are correct, troubleshoot A8U6, U15, U3 and U10 to find what is causing incorrect input into the DAC (U3). If there is an incorrect signature on an input pin, backtrace to the CPU board, A9. If the incorrect signature is on an output pin, replace the IC after checking the output line to be sure it is not shorted or open.

11. Set the service switch to NORM. Connect the voltmeter to A8TP3. The voltage should go from 0 to 10 volts as the frequency is tuned across the band, and should be stable. If the voltage is correct, troubleshoot A8U2A and associated components. Otherwise continue to the next step.
12. Connect voltmeter to A8U11D pin 14. The voltage should go from $-3.15V$ to $-6.32V$ as the frequency is tuned across the band. Do not be satisfied by a range that is less than this by more than 0.2 volts or so. If the voltage is correct, troubleshoot A8U11B circuitry, otherwise troubleshoot A8U11D circuitry. Pay special attention to leakage in A8C17 as this can cause the output voltage to be unstable.

A8 INPUT/OUTPUT COMPONENT LOCATIONS

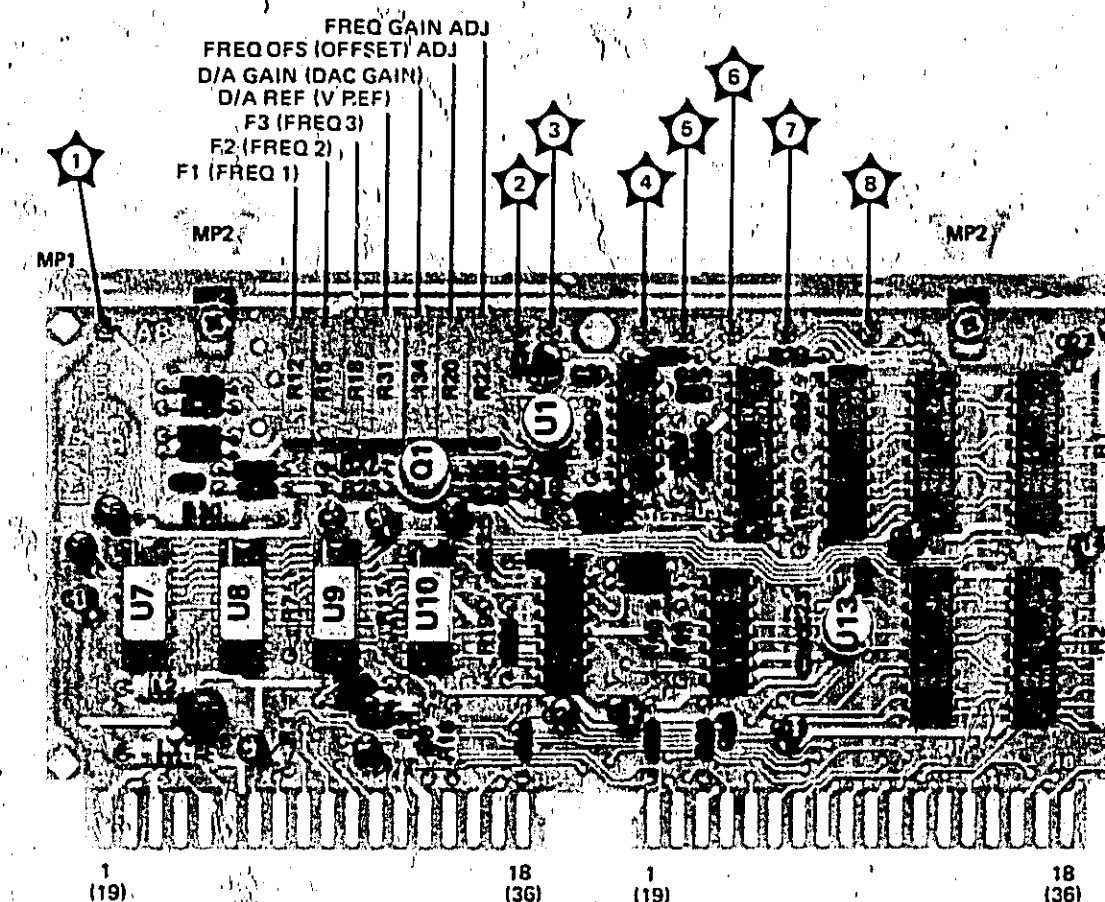


Figure 8-48. Input/Output Component Locations

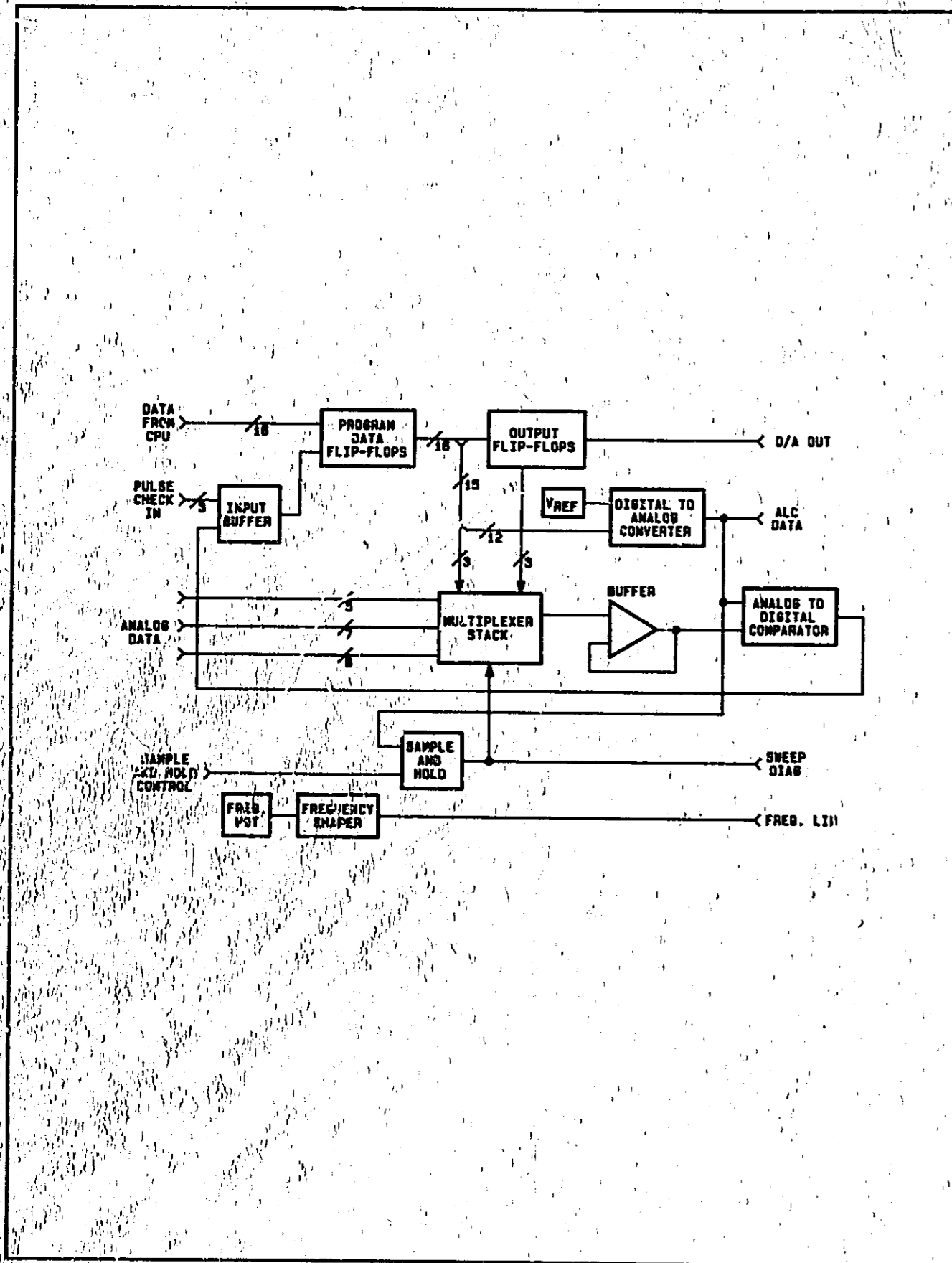
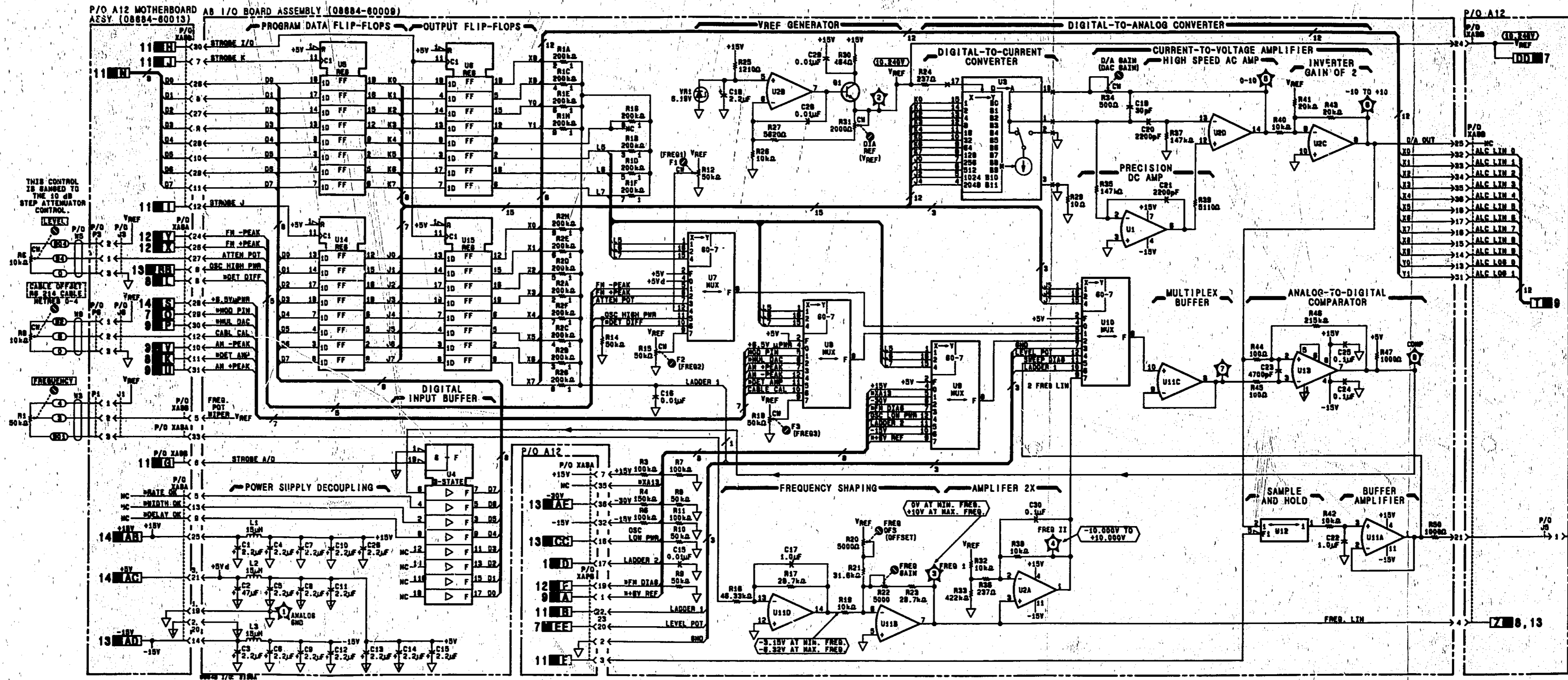


Figure 8-49. Input/Output Simplified Block Diagram



NOTES

- REFER TO TABLES 8-1 THROUGH 8-9 FOR SCHEMATIC DIAGRAM NOTES.
- MINIMONICS PRECEDED BY AN ASTERISK (*) ARE SIGNAL LINES USED BY THE MICROPROCESSOR.
- INDICATED CIRCUIT CHANGE. SEE SECTION VII.

REFERENCE DESIGNATIONS

| NO PREFIX | AD CONT. | TOP VIEW | CIRCUIT BOARD TOP VIEW |
|---------------|--------------------|----------|------------------------|
| J8 | R1-4, 8-12 | 10 | 10 |
| R1, 8, 9 | 14-27, 28-47, 50 | 11 | 11 |
| W1, 8, 9 | TP1-9 | 12 | 12 |
| U1 | U1-13 | 13 | 13 |
| AD | A12 | 14 | 14 |
| C1-30 | XANA, 8 | 15 | 15 |
| L1-3 | J1, 2, 5, 8 | 16 | 16 |
| G1 | XANA, 8 | 17 | 17 |
| NOT ASSIGNED: | A0, 13, 29, 31, 48 | 18 | 18 |

LOGIC LEVELS

| LEVEL | TOP VIEW | CIRCUIT BOARD TOP VIEW |
|--------|----------|------------------------|
| HIGH | 10 | 10 |
| LOW | 11 | 11 |
| GROUND | 12 | 12 |
| LOW | 13 | 13 |
| LOW | 14 | 14 |
| LOW | 15 | 15 |
| LOW | 16 | 16 |
| LOW | 17 | 17 |
| LOW | 18 | 18 |
| LOW | 19 | 19 |
| LOW | 20 | 20 |
| LOW | 21 | 21 |
| LOW | 22 | 22 |
| LOW | 23 | 23 |
| LOW | 24 | 24 |
| LOW | 25 | 25 |
| LOW | 26 | 26 |
| LOW | 27 | 27 |
| LOW | 28 | 28 |
| LOW | 29 | 29 |
| LOW | 30 | 30 |
| LOW | 31 | 31 |
| LOW | 32 | 32 |
| LOW | 33 | 33 |
| LOW | 34 | 34 |
| LOW | 35 | 35 |
| LOW | 36 | 36 |
| LOW | 37 | 37 |
| LOW | 38 | 38 |
| LOW | 39 | 39 |
| LOW | 40 | 40 |
| LOW | 41 | 41 |
| LOW | 42 | 42 |
| LOW | 43 | 43 |
| LOW | 44 | 44 |
| LOW | 45 | 45 |
| LOW | 46 | 46 |
| LOW | 47 | 47 |
| LOW | 48 | 48 |
| LOW | 49 | 49 |
| LOW | 50 | 50 |
| LOW | 51 | 51 |
| LOW | 52 | 52 |
| LOW | 53 | 53 |
| LOW | 54 | 54 |
| LOW | 55 | 55 |
| LOW | 56 | 56 |
| LOW | 57 | 57 |
| LOW | 58 | 58 |
| LOW | 59 | 59 |
| LOW | 60 | 60 |

TRANSISTOR AND INTEGRATED CIRCUIT PART NUMBERS

| REFERENCE DESIGNATION | NUMBER | TOP VIEW | CIRCUIT BOARD TOP VIEW |
|-----------------------|-----------|----------|------------------------|
| Q1 | 1824-0827 | 10 | 10 |
| U1 | 1828-0874 | 11 | 11 |
| U2, 11 | 1828-0822 | 12 | 12 |
| U3 | 1828-0868 | 13 | 13 |
| U4 | 1820-1724 | 14 | 14 |
| U5, 8, 14, 15 | 1828-1726 | 15 | 15 |
| U7-10 | 1828-0881 | 16 | 16 |
| U12 | 1828-0875 | 17 | 17 |
| U13 | 1828-0828 | 18 | 18 |

INTEGRATED CIRCUIT VOLTAGE AND GROUND CONNECTIONS

| REFERENCE DESIGNATION | VOLTAGE | TOP VIEW | CIRCUIT BOARD TOP VIEW |
|-----------------------|----------|----------|------------------------|
| U5 | +5V - 18 | 10 | 10 |
| U4-8, 14, 15 | +5V - 20 | 11 | 11 |
| U7-10 | +5V - 19 | 12 | 12 |
| | +5V - 14 | 13 | 13 |
| | -15V - 3 | 14 | 14 |
| U12 | +5V - 8 | 15 | 15 |
| | +5V - 7 | 16 | 16 |
| | -15V - 9 | 17 | 17 |

INTERCONNECT PIN DESIGNATION

| REFERENCE DESIGNATION | VOLTAGE | TOP VIEW | CIRCUIT BOARD TOP VIEW |
|-----------------------|----------|----------|------------------------|
| U5 | +5V - 18 | 10 | 10 |
| U4-8, 14, 15 | +5V - 20 | 11 | 11 |
| U7-10 | +5V - 19 | 12 | 12 |
| | +5V - 14 | 13 | 13 |
| | -15V - 3 | 14 | 14 |
| U12 | +5V - 8 | 15 | 15 |
| | +5V - 7 | 16 | 16 |
| | -15V - 9 | 17 | 17 |

PIN NO. 1-20

| | | | | | | | | | |
|---|---|---|---|---|---|---|---|---|----|
| 1 | 2 | 3 | 4 | 5 | 6 | 7 | 8 | 9 | 10 |
| A | B | C | D | E | F | G | H | I | J |

Figure 8-50. Input/Output Schematic Diagram

SERVICE SHEET 11

CENTRAL PROCESSING UNIT

PRINCIPLES OF OPERATION

General

The Central Processing Unit (CPU) Assembly is a control board that contains a microprocessor (U1) and read only memory (ROM), U8. The CPU also contains some latches and data selectors which mediate the transfer of data into and out of the microprocessor.

The CPU automatically makes corrections and monitors many test points in the Signal Generator to assure the operator confidence that the instrument is working properly.

Furthermore, the CPU reads the keys pressed on the front panel and responds by lighting appropriate LEDs on the front panel and running a segment of program stored in the ROM to set circuitry into desired states. The CPU Assembly reads the settings of several potentiometers via an Analog-to-Digital Comparator (ADC) on the Input/Output (I/O) Assembly. Using the data derived from the potentiometer settings it sends information to the front panel displays for output power level, frequency, and FM. It also sends data to the ALC loop.

The ROM holds an equation used to calculate the loss due to the frequency response of a length of RG-214 coaxial cable. Because the CPU knows the frequency, it can calculate how much additional power is needed to compensate for the cable loss. If Cable Offset is selected on the rear panel, the correction is automatically made for every frequency.

For long cables, the amount of additional power required to compensate for the cable may be more than the digital bits controlling the ALC loop can handle. This can be thought of as "digital saturation". If this happens, the UNLEVEL light will blink and the ALC loop will be set to maximum available power.

When the Signal Generator is turned on, the microprocessor performs a set of measurements to check critical circuits in the instrument; this takes about 3 seconds. If all is well, the instrument begins to operate normally. If a problem is detected, the CPU displays one or more error codes successively in the MODULATION display window. (See Tables 8-4 and 8-5 for a listing of the error codes with their diagnostic test number.) These error messages flash by quickly, but can be stopped for viewing by pressing and holding any front panel key, the EXT AM key for example, while turning on the LINE switch. After the first error number is displayed, the key can be released. The error number will remain in the modulation display. Pressing the key again will step the display through all error messages, one for each press of a key. When there are no more error messages, the instrument will finish the power-up sequence. With this warning the operator can determine if the fault is such that the instrument needs immediate repair or if the problem is in a part of the instrument not needed for the particular use. In either event, after running the turn-on tests the CPU runs its normal operating program. This allows a user to continue to use an instrument if the error is non-essential for the desired function.

A three-position switch, S1, at the top of the CPU Assembly allows a technician to select one of three operating modes. The switch should be left in NORM position during normal operation. For troubleshooting, either of the other two positions can be selected. The center position, DIAG, selects a routine in the ROM that allows a large number of analog voltages in the instrument to be displayed on the front panel. The third position, SA, selects the free-running signature analysis mode.

SERVICE SHEET 11 (cont'd)

In this position the basic core of the CPU can be checked. Signature analysis is limited to the central CPU core because most of the instrument is manually operated and therefore not synchronous.

Processor

The heart of the CPU is the 6802 microprocessor, U1. This is an 8-bit device with 16-bit addressing (meaning it can address 64k of memory). When the instrument is turned on, the microprocessor is designed to go to a particular memory location in the ROM and execute whatever instruction it finds there. The 6802 microprocessor looks at the highest two memory locations. In this instrument, it finds an instruction telling it to jump to another address. There it finds the start of a routine that the instrument executes every time it is turned on. During power-up testing, the microprocessor looks at a number of analog signals to determine if they are within normal operating range. If any of them are incorrect, an error code is displayed in the MODULATION window on the front panel.

At the end of power-up testing, the CPU begins its normal operating program in which it polls the keyboard regularly to determine if any key was pressed. It also regularly reads several front panel voltages from potentiometers attached to front panel controls to see if the FREQUENCY, LEVEL range or LEVEL vernier have been changed. It responds to such changes by interpreting tables in the ROM to determine new display data from the raw voltage coming from the wipers of the potentiometers.

Bidirectional Data Bus Buffer

The data inputs and outputs are routed through U7, a 3-state bidirectional buffer. Input data comes in primarily through U12, the input buffer. This data includes, among other things, front panel data, the key-down signal and the RS-232-like terminal interface. Data also enters on the data bus from the A8 I/O Assembly. The most important data from A8 is the voltmeter comparator bit (the output of the ADC), which is used by the CPU to measure analog voltages. The data flow through the bus is primarily outward from the CPU Assembly to the I/O Assembly.

8K ROM

The main operating program is stored in U8, an 8K ROM. This includes programming to maintain the display, set the output power, run the diagnostic checks, and interface to an external terminal. Calibration data is stored in one to three 2K EPROMs (U9, U10 and U11). The Signal Generator is shipped from the factory with one EPROM installed in the U9 socket. If EPROMs are installed in the U10 or U11 sockets, it means that either an oscillator or output assembly has been changed. The sockets should be filled from left to right. Any empty sockets should be to the right of any installed EPROMs. The memory chips are addressed through U2, which receives 3 bits of address information from the microprocessor and decodes it to enable one of the EPROMs.

SERVICE SHEET 11 (cont'd)

TROUBLESHOOTING

1. Turn the instrument off for several seconds and back on. Watch the front panel displays. There may be some odd characters displayed briefly. All decimal points and single LED annunciators should light for about 1 second. The displays should next show dashes for about 1 second followed by 8's for about 1 second. Finally, the instrument should show frequency and power level in dBm mode with all modulation off. Optionally, if the microprocessor detects a malfunction in the instrument, it will quickly display the error number or numbers in the modulation window before displaying the dashes. If the instrument turns on properly, it is very likely that the CPU board is functioning correctly. If it does not turn on properly, continue with this procedure.

2. Remove the instrument top cover. Use a logic probe to look at the four ROM test points, Clock, R/W (read/write), and A15 test points on the top of the CPU board. All these test points should show activity. If any of them do not show activity, go to step 6 to continue.

3. Put the CPU board on an extender, set service switch to SA, and do signature analysis of the address lines as shown in Table 8-17.

Start: A9TP9, falling edge
Stop: A9TP9, falling edge
Clock: A9TP8, falling edge

Table 8-17. Address Line Signatures

| Measurement Point A9U1 | Signature | Signal Name Address |
|------------------------|-----------|---------------------|
| Pin 9 | UUUU | Line A0 |
| 10 | FFFF | A1 |
| 11 | 8484 | A2 |
| 12 | P763 | A3 |
| 13 | 1U5P | A4 |
| 14 | 0356 | A5 |
| 15 | U759 | A6 |
| 16 | 6F9A | A7 |
| 17 | 7791 | A8 |
| 18 | 6321 | A9 |
| 19 | 37C5 | A10 |
| 20 | 6U22 | A11 |
| 22 | 4FCA | A12 |
| 23 | 4868 | A13 |
| 24 | 9UP1 | A14 |
| 25 | 0001 | A15 |

If any of the signatures are incorrect, go to step 5.

4. If the address signatures are all correct, check the data signatures as shown in Table 8-18. Note that changes in A9U8 are reflected in the signatures. Be sure to use the proper column of signatures. Connect the Signature Analyzer leads as follows:

SERVICE SHEET 11 (cont'd)

Start: A9TP4, falling edge
Stop: A9TP4, rising edge
Clock: A9TP8, falling edge
GND: A9TP1

Table 8-18. ROM Data Line Signatures

| A9U8 Pin Number | Signature for ROM Part Numbers | | | Data Line Number |
|-----------------|--------------------------------|--------------|--------------|------------------|
| | 08684 -80001 | 08684 -80006 | 08684 -80007 | |
| 11 | 7PF9 | AHU3 | 6AA6 | D0 |
| 12 | P7A8 | 1PF8 | 446C | D1 |
| 13 | CFP9 | 2F38 | PP91 | D2 |
| 15 | 8340 | 05UU | UP91 | D3 |
| 16 | P4U8 | 2441 | U09A | D4 |
| 17 | 94P9 | P254 | 1C2P | D5 |
| 18 | 067U | 31UC | 59A7 | D6 |
| 19 | 2P75 | FC7C | UF77 | D7 |

Address Signature Incorrect

5. If signatures on adjacent pins are same, carefully inspect the board for shorts between pins or traces. If all signatures are incorrect, change the microprocessor, U1. If some signatures are correct, use a logic pulser and current probe to determine if the cause is due to a defective microprocessor or due to a defect in one of the several ICs attached to the address bus.

One or More Test Points Show No Activity

6. Put the CPU board on two 2x18 pin extender boards. The best place to start will depend on which test points show no activity.

- No Clock Step 7
- No R/W Step 8
- No ROM1...4 signals Step 10

No Clock

7. Use the logic probe to look at U1 pins 38 and 39 to see if the clock oscillator is running. If the oscillator is running and there is no activity on the CLK test point, check for a short on the PHASE 2 line (U1 pin 37). If the line is not shorted to ground, replace the microprocessor. Otherwise use a logic pulser and current probe to find the short or the IC input that is loading down the line.

No R/W

8. Put the service switch into the SA position. The R/W test point should go high. If it does not, change the microprocessor. If that doesn't fix the problem, check the line for a short to ground or to an adjacent trace or pin. Return the switch to NORM position.

9. Check the bidirectional data buffer, U7, using a logic probe to be sure it passes data. If it does not pass data, the microprocessor

SERVICE SHEET 11 (cont'd)

could cause the Read/Write line to be stuck high or low depending on whether the microprocessor is trying to send or receive data. When the Read/Write line is low, the data should pass from left to right (into the microprocessor), and go the other direction when the Read/Write line is high.

ROM1, ROM2, ROM3 or ROM4 Signals Missing

10. Set the service switch to SA. Do signature analysis on U2 and U3. The signatures are shown in Table 8-19 and Table 8-20.

A9U2 Signatures:

Start: TP9, falling edge
Stop: TP9, falling edge
Clock: TP8, falling edge
GND: TP1

Table 8-19. A9U2 Address Decoder Signatures

| A9U2 Pin | Signature |
|----------|-----------|
| 7 | 1183 |
| 9 | 64HF |
| 10 | 29A4 |
| 11 | 5FU A |
| 12 | 2302 |
| 13 | F9CF |
| 14 | 534H |
| 15 | C9U1 |

A9U3 Signatures:

Start: TP9, falling edge
Stop: TP9, falling edge
Clock: TP8, falling edge
GND: TP1

Table 8-20. A9U3 Address Decoder Signatures

| A9U3 Pin | Signature |
|----------|-----------|
| 7 | CA8U |
| 9 | 6U84 |
| 10 | U66P |
| 11 | 7952 |
| 12 | FC58 |
| 13 | 91H7 |
| 14 | 60CA |
| 15 | CP4H |

If one or more signatures are incorrect, backtrack to the signatures for the address lines. If the address signatures are correct, replace the IC that generates the incorrect signature after checking the line for shorts, opens, or bent IC leads. If all U2 and U3 signatures are correct, the malfunction is probably in ROM U8 but could also be in the microprocessor, U1. Perform signature analysis on the data lines to try to isolate the malfunction.

No A15 Signal

11. This signal goes only one place, from U1 to U2. (The signal is also connected to an edge connector pin, but goes nowhere.) Change the microprocessor as the first step in troubleshooting this failure (since it is in a socket). If that does not fix the problem then replace U2, the demultiplexer and put the original microprocessor back in.

Service

HP 8684B

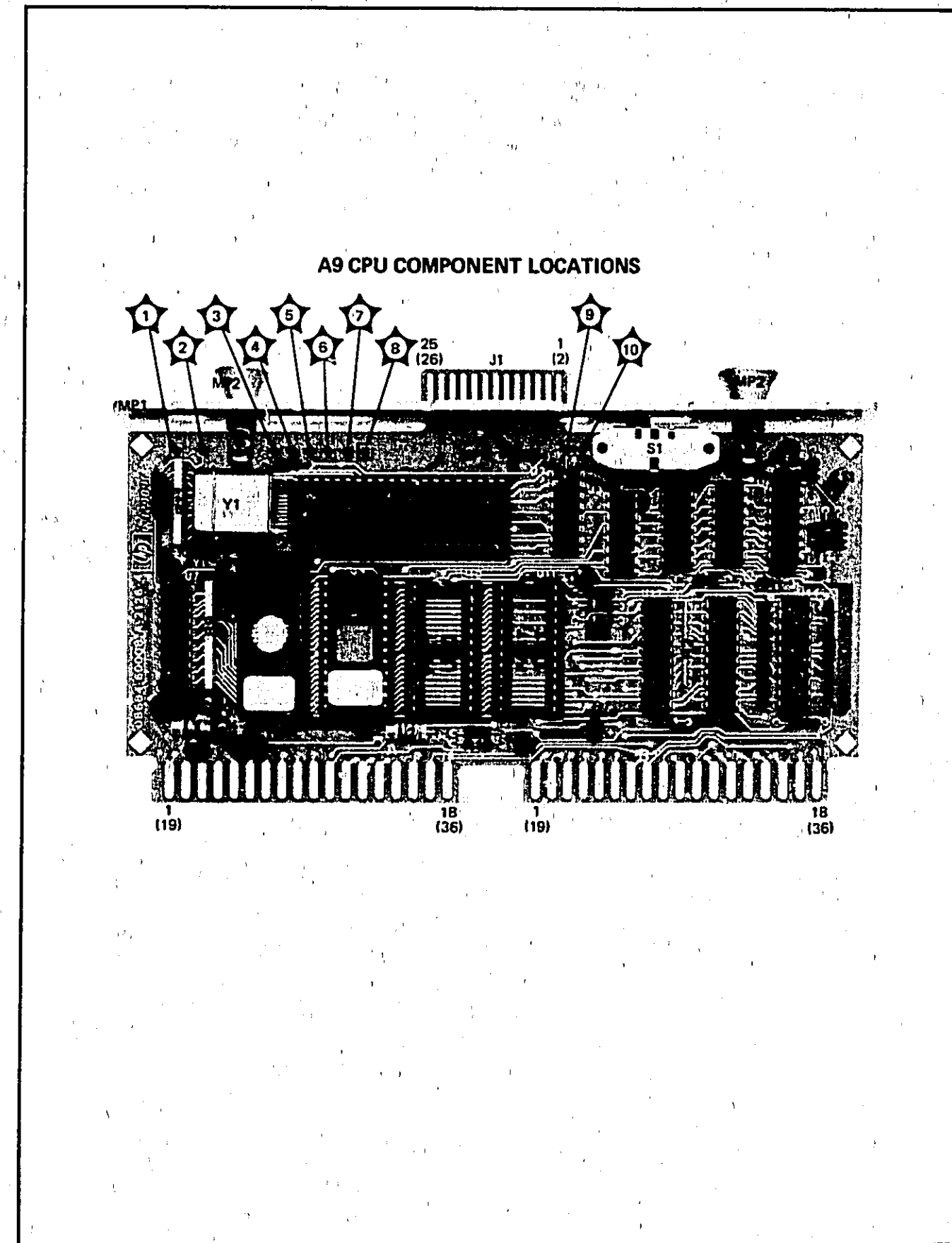


Figure 8-51. Central Processing Unit Component Locations

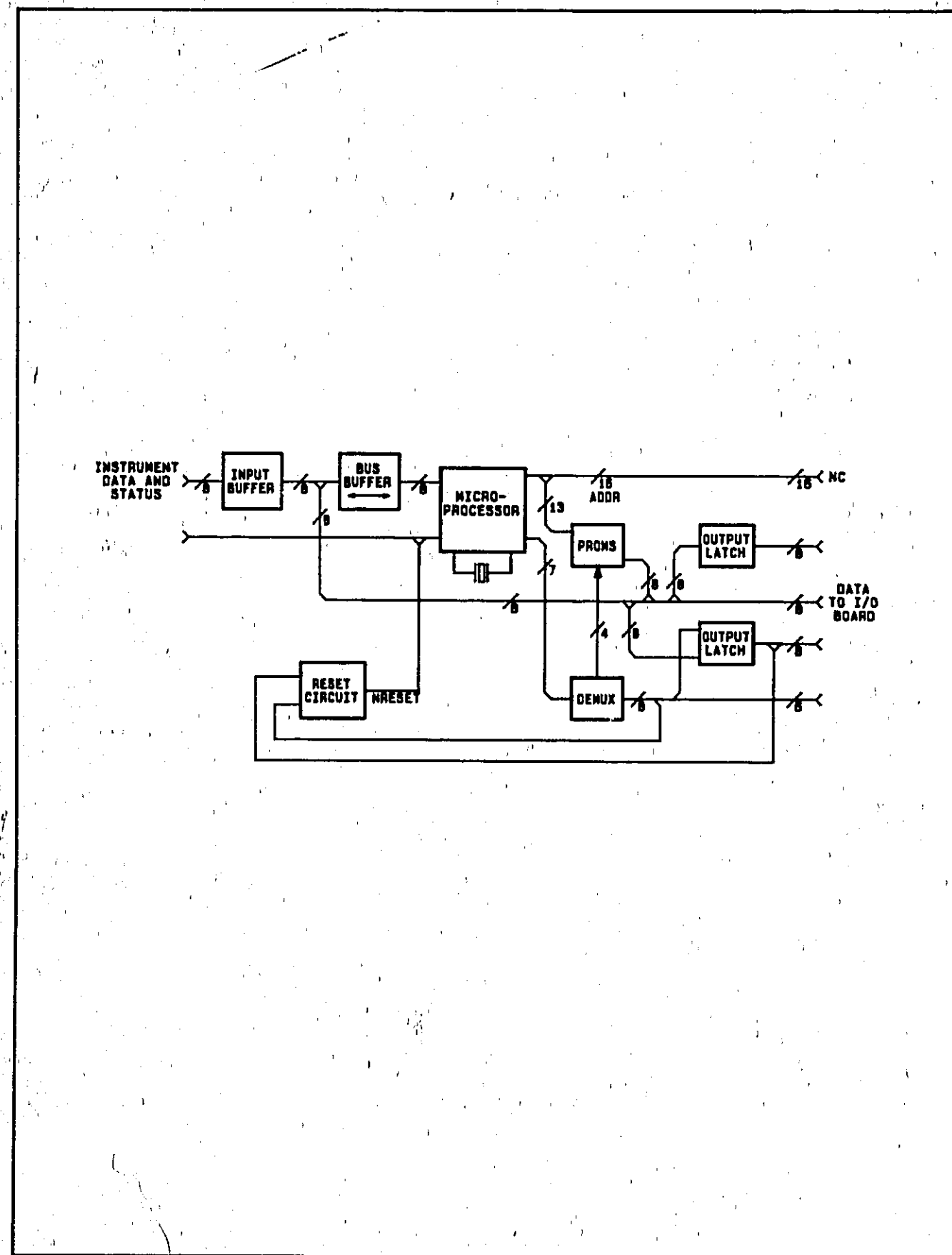


Figure 8-52. Central Processing Unit Simplified Block Diagram

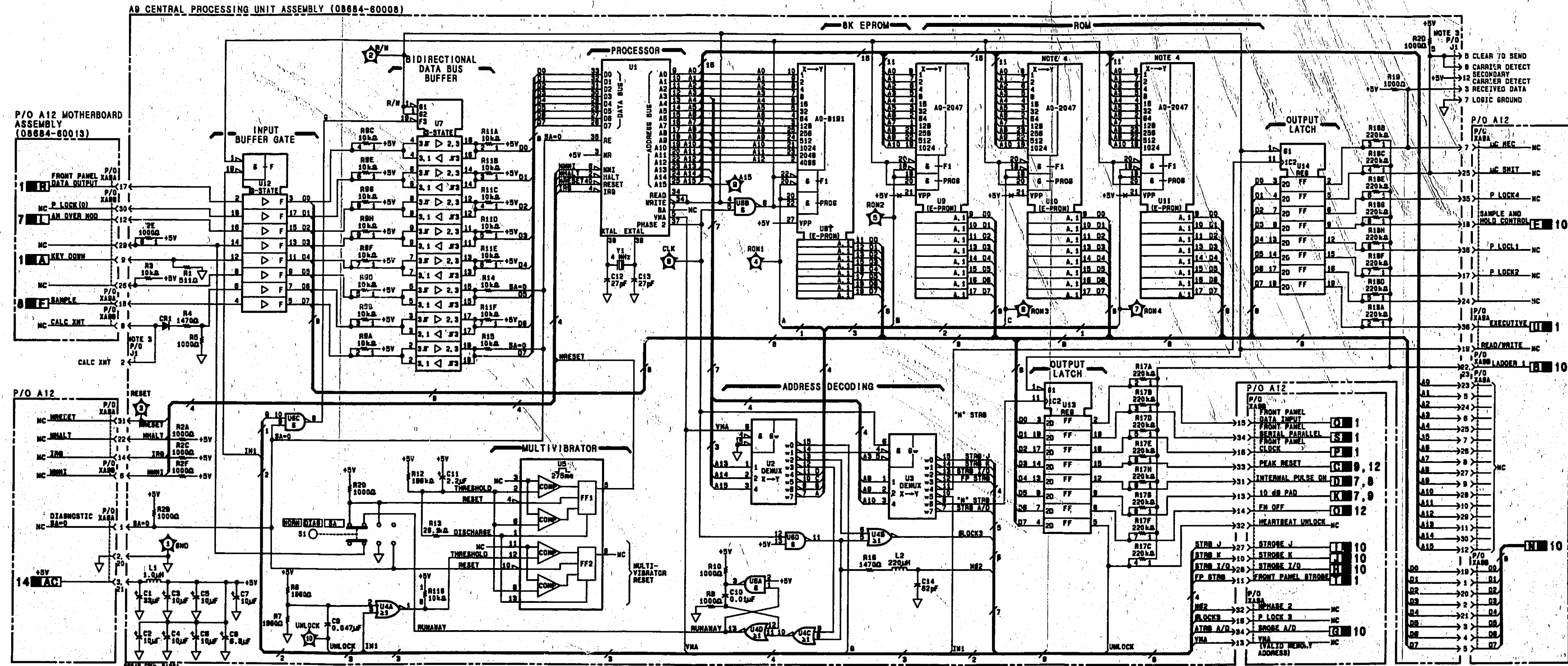


Figure 8-53. Central Processing Unit Schematic Diagram

- NOTES
1. REFER TO TABLE 8-2 FOR SCHEMATIC DIAGRAM NOTES.
 2. MNEMONICS PRECEDED BY AN ASTERISK (*) ARE SIGNAL LINES USED BY THE MICROPROCESSOR.
 3. EDGE CONNECTOR J1 IS AN RS-232 PORT USED FOR INTERFACING WITH A DATA TERMINAL.
 4. E-PROMS U10 AND U11 ARE NOT NORMALLY LOADED, HOWEVER SOCKETS ARE PROVIDED SO THAT IF THE OSCILLATOR ASSEMBLY OR THE OUTPUT DATA WILL BE PROVIDED IN A NEW E-PROM WHICH WILL BE INSTALLED IN THE EMPTY SOCKET.

REFERENCE DESIGNATIONS

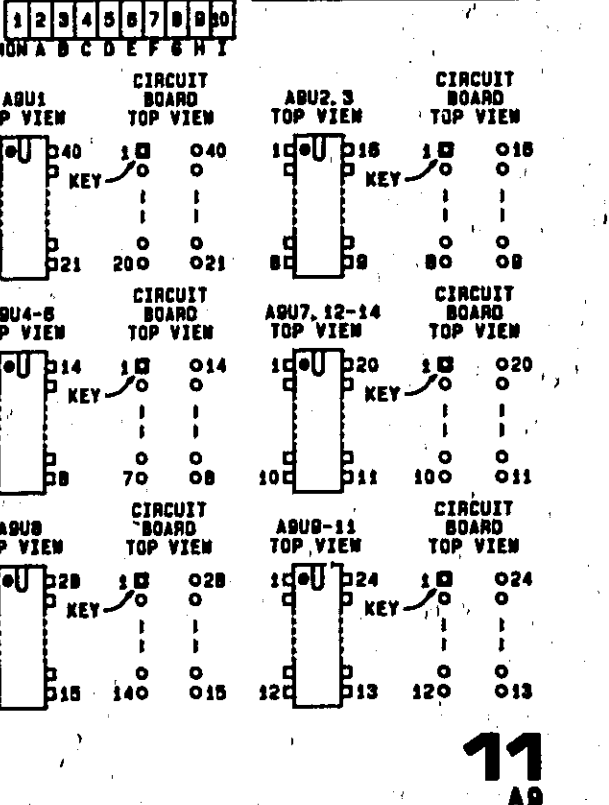
| REF. DESIG. | PART NUMBER | QTY |
|-------------|-------------|-----|
| AD | AB CONT. | 1 |
| C1-14 | TP1-10 | 10 |
| C15 | U1-15 | 15 |
| L1, 2 | Y1 | 1 |
| R1-20 | A12 | 1 |
| S1 | XARA, B | 2 |

TRANSISTOR AND INTEGRATED CIRCUIT PART NUMBERS

| DESIGNATION | PIN NUMBER |
|-------------|-------------|
| U1 | 1820-2098 |
| U2, 3 | 1820-1218 |
| U4 | 1820-1144 |
| U5 | 1828-0205 |
| U6 | 1820-1197 |
| U7 | 1820-2075 |
| U8 | 08684-60001 |
| U8-11 | AUX. PARTS |
| U12 | 1820-1784 |
| U13, 14 | 1820-1809 |

INTEGRATED CIRCUIT VOLTAGE AND GROUND CONNECTIONS

| DESIGNATION | PIN NUMBER | VOLTAGE |
|-------------|------------|----------------|
| U1 | 1 | +5V - 8.39 |
| U2, 3 | 1 | +5V - 1.21 |
| U4-6 | 1 | +5V - 8 |
| U7, 12-14 | 1 | +5V - 14 |
| U8 | 1 | +5V - 20 |
| U8 | 2 | +5V - 1.26, 20 |
| U8-11 | 1 | +5V - 24 |
| U8-11 | 2 | +5V - 12 |



SERVICE SHEET 12
FM SHAPER

PRINCIPLES OF OPERATION

General

The purpose of the FM Shaper assembly is to produce a signal (FM OUT) that controls the varactor diodes in the microwave oscillator. The frequency of the oscillator changes logarithmically relative to the FM OUT signal. The FM OUT signal is an exponential function (that is, the antilog) of the modulation signal into the FM Shaper. The oscillator, therefore, changes frequency linearly relative to the modulation signal into the FM Shaper.

The FM Shaper Board

Inputs. The input signal is routed in through J5 onto the AC/DC coupling network. The external sawtooth signal is connected from the ALC Detector assembly to the top of the FM vernier, R4. This signal supplies a sawtooth current for ramping in 10 MHz per Volt sensitivity.

The FM vernier is used to adjust total peak-to-peak FM deviation of the signal that has been selected for use. It also provides 50 ohm termination for the modulation source.

R2, CR2, CR3, CR5, and CR6 provide circuit protection from the entering FM signal by forming a diode clamp. Voltages greater than 1.4 volts at J3 cause one branch of diodes to turn on, thereby limiting the voltage to a safe level.

Mode Section. FM sensitivity of 10 MHz per volt or 1 MHz per volt is selected by reed relays which select the desired point along a series resistive divider, composed of R9 and R10. The microprocessor selects which tap in the resistive divider is to be used via AND gates in U2, namely U2A and U2B. The selected voltage (above R9 for 10 MHz per Volt sensitivity, and above R10 for 1 MHz per Volt sensitivity) is then applied to the base of Q19A, the start of the shaper block. U2B and U2C control the circuit that turns off FM when the signal generator is in CW mode. U2B directs the output of the attenuator circuit through R15 to ground, and U2C activates both the relay for capacitor that shuts the output of the video amplifier and the bandwidth reduction circuits inside the video amplifier.

AC Temperature Compensation. The loss of the input attenuator changes over temperature to compensate for changing resistance of the shaping diodes. The loss is varied by changes of the resistance of thermistor RT1.

R12 pre-gain control. The greater the resistance of R12, the greater the voltage at the resistive divider.

FM Shaping. A DC current flows through Q19B and the string of diodes made up of CR17 through CR23. This current is adjusted by changing potentiometer R19. A voltage of -8.5V at TP4 produces a 21.5 volt drop across R20, and a 1 mA current through both strings of diodes.

The FM signal is applied to the base of Q19A. Because signal voltage variations are low due to the low impedance path of the reference diodes, a voltage is impressed across the signal string of diodes and a current flows which varies exponentially with the input voltage.

SERVICE SHEET 12 (cont'd)

Current Mirror Gain of Three. The current leaves the collector of Q6 and flows into the collector of Q4A, which acts as a diode. R28 protects diode-connected Q4A from having its collector and base connected to ground if TP3 is accidentally shorted to ground. A very small amount of current flows through the base of Q4B, Q4C, and Q4E. This avoids significantly disturbing the balanced current flow through the two diode strings. Because the bases and emitters of transistors Q4A, B, C, and E are tied together, and because these transistors are matched, the base-emitter voltage of Q4A is duplicated by the other three transistors, therefore, their collector currents are replicas of the shaper current that flows through Q4A. The sum of the collector currents is three times the shaper current.

Common Base Amplifier. Q4D improves the bandwidth after shaping by reducing the capacitance at the high impedance node, TP2.

After leaving the common base amplifier, the signal enters the buffer amplifier which is used as a hi-performance operational amplifier. It has a swing range between -2 and -23 volts.

Feedback resistors R59, R63, R64, and R66 determine the gain of the amplifier by the following equation:

$$G = 1 + (R63 + R64 + R66) / (R59 + R63 + R64 + R66)$$

R63 is the "post-gain" control.

Input Buffer. The input buffer is composed of Q3A, Q3B, Q9, Q10, Q15A, Q15B, and their associated passive elements. Q3A and Q3B are common emitter amplifiers that buffer the Q10-Q9 differential pair. Resistors R43 and R57 provide current returns for the 2 mA collector currents in Q3A and Q3B.

Bias current of 1 mA comes from +15 volts through R46 and is split by inductors L3 and L4, the proportion of the split determined by the base voltages of Q9 and Q10. At low frequencies, L3 and L4 short-circuit R48, leading to maximum gain at DC for good bias stability. Zener diodes VR7 and VR8 allow Q10 and Q9 to operate at safe collector-emitter voltages. Without the zener diodes, Q15A would pull the collector of Q9 to -29.3 volts, leaving the Q9 collector-emitter voltage at about 30 V.

Current Mirror. Q15A and Q15B form a current mirror. Its operation is similar to the Current Mirror Gain of Three circuit on this board. The current flow through Q15B will be identical to the current flow through Q15A. As the current through Q10 increases to drive Q14, the current through Q9, Q15A and consequently, Q15B decreases proportionately. The increase of current through Q10 and proportionate decrease of current through Q15B causes a net current gain of two into the base of Q14. Q14, an emitter-follower. Its low impedance output drives Q12. Q13 pulls a constant 5 mA through R65 as part of an active biasing network. Q13 also places a capacitive load across the base of Q12. The base of Q13 is biased at -28.7V by R67, R68, and CR32. Q12 determines the base voltage of emitter-follower Q8 by pulling its collector through resistors R73 and R74. This stage provides much of the gain required for the video amplifier. C44 causes an increase in gain and feedback phase compensation at high frequencies by lowering the impedance at the junction of R70 and R71 as frequency rises.

SERVICE SHEET 12 (cont'd)

Output transistors Q1 and Q2 are biased by currents flowing through diodes CR33 and CR34, and through R72. The transistors' collector currents are between 8 and 13 mA.

The FM Shaper board has a low-pass filter connected between the output of the FM shaper and the varactors in the oscillator cavity. (The filter is at J1 and is not seen on the schematic.) The purpose of the filter is to keep any microwave signal present at the varactor port on the oscillator from getting onto the FM board.

Positive and Negative Peak Detectors. The operation of the positive and negative peak detectors is similar, therefore, only the positive peak detector will be explained here. U1A, Q11, Q17, CR30, C33, and U3A compose the sample/hold feedback loop of the positive peak detector. The input signal is connected from J3 to pin 6 of U1A, the comparator. The output of U1A goes to 3.2 volts when the plus input exceeds the minus input, and to -0.5 volts when the minus input exceeds the plus input.

Buffer and High Frequency Charging. Q11 and Q17 buffer the comparator output. They also level shift the IC, and provide a current source to drive the sample/hold capacitor, C33. The voltage on C33 represents the peak positive voltage of the modulation signal. The voltage is monitored by U3A and routed to pin 5 of U1A. When this voltage falls below the input modulation's signal voltage, U1A's output goes high, turning off the sample/hold circuitry.

When the voltage at pin 6 rises above that of pin 5, the comparator output goes low, turning on Q11 and Q17. C33 starts charging until its voltage, which is read at pin 5 of U1A, becomes greater than that of pin 6. Now, U1A's output, at pin 8, returns to 3.2 volts, turning off Q17 and consequently stopping the charge current.

The voltage on C33 remains updated to the positive peak voltage of the input signal, and is coupled to the microprocessor via a low-pass filter consisting of R54 and C38.

Positive and Negative Peak Reset. Operation of the positive and negative peak reset circuits is similar, therefore, only the positive peak reset circuit will be explained. Theoretically, the peak detector circuit would keep updating to the most positive peak it receives; the peak voltage would never come down, however, the microprocessor discharges C33 just after it finishes reading the peak voltage. When the microprocessor pulls pin 5 on U3B below 1.5 volts, which is the constant bias voltage at pin 6, the output of the operational amplifier U3B goes to -6 volts. CR24 turns on and allows C33 to discharge into the output of U3B, pin 7.

TROUBLESHOOTING

1. Connect 50 ohm test oscillator output to FM input. Select EXT 10 MHz/V FM and set the test oscillator to 10 kHz at 0.35 Vrms (0.5 Vpeak). The MODULATION display should indicate about 5 MHz deviation. If the indicated deviation is correct, continue to the next step. Otherwise go to step 9.

SERVICE SHEET 12 (cont'd)

2. Select EXT 1 MHz/V FM. The indicated display should drop by a factor of 10. If it does not, go to step 12.

3. Connect a spectrum analyzer to the RF OUTPUT connector. Set the test oscillator to 415 kHz. Adjust the test oscillator output amplitude to obtain an indicated deviation of 1 MHz on the Signal Generator MODULATION display. The carrier should be close to being nulled with these settings. Vary the test oscillator frequency to null the carrier. The null should occur between 370 kHz and 460 kHz. This range is typical. This is not a hard specification.

4. Select EXT 10 MHz/V FM. Set the test oscillator to 2.08 MHz and adjust the amplitude to get 5 MHz indicated deviation. The carrier should be close to being nulled. Vary the test oscillator frequency to null the carrier. The null should occur between 1.87 MHz and 2.3 MHz. If the performance in steps 3 or 4 is not correct, go to step 13.

5. Disconnect the test oscillator and replace with a low voltage power supply; set the supply to zero before connecting. Push the FM vernier in to be sure dc FM is selected. Set spectrum analyzer to 5 MHz/division and center the signal. Slowly increase the power supply voltage. The frequency should rise as the voltage is increased until the frequency is about 10 MHz higher with 1 Vdc applied. Above about 1 volt, the input protection diodes start to conduct and keep the frequency from rising further. Note that FM metering does not work for dc FM. As the power supply voltage is being changed, the display will show some meaningless numbers and then drop to a low value determined by the ripple of the power supply and any ground loops between the Signal Generator and the power supply.

6. Reverse the polarity of the power supply voltage. The frequency should drop to about 10 MHz below the nominal center frequency. If you try to reverse polarity by changing the center conductor and ground leads, you will very likely create a ground loop and not be able to obtain the expected negative frequency shift. To properly apply a negative voltage from a power supply with both positive and negative outputs floating, ground the negative output while applying positive voltage to the FM input. Ground the positive output while applying negative voltage. If all is correct to this point, the FM Shaper board is working normally. If there are problems with dc FM, continue to the next step. Otherwise no problem has been discovered with the FM portion of the instrument.

DC FM Problems

7. If there is no frequency change when applying a dc voltage, check for proper functioning of S3, the front panel AC/DC selector switch by measuring the resistance from the front panel FM connector to the end of the yellow coax cable where it enters the FM shaper board. The resistance should be very near zero. If the resistance is near zero, continue to the next step. Otherwise troubleshoot S3 and the associated components on the input.

SERVICE SHEET 12 (cont'd)

8. Select EXT 10 MHz/V FM. Apply 0.5 Vdc to the FM input. Measure the voltage at the base of Q19A. There should be about 0.17 Vdc on the base. Select EXT 1 MHz/V FM. The voltage should drop by a factor of 10. If the voltages are correct, remove the input voltage and use the voltages on the schematic to find the malfunction between that point and the output. Otherwise troubleshoot the input voltage divider and deviation range selection relays.

Incorrect Deviation Display in the EXT 10 MHz/V Range

9. Set the service switch on the A9 CPU board to the DIAGNOSTIC position and select Test 21. The FREQUENCY display window should indicate about 0.35 volts. Select Test 22. The voltage should stay nearly the same as Test 21 but the decimal point to the left of the units digit should flash to indicate a negative voltage. If the voltages differ by more than a few hundredths of a volt, troubleshoot the peak detectors and buffers. A significant difference can also indicate a problem on the I/O Board, A10.

10. Disconnect the FM input signal while observing the indicated voltages in Tests 21 and 22. Both voltages should drop to zero (or very near) when the input is removed. If they don't both go to zero, troubleshoot the peak reset circuits.

11. Measure the voltages at A10TP5 and TP6 with a dc voltmeter. The voltages should match those displayed with Tests 21 and 22 in step 9 and should correspond to the peak of the input voltage. If a 0.5 Vpeak (0.35 Vrms) sine wave is applied to the FM input with the FM vernier fully clockwise, TP5 should read 0.5 Vdc and TP6 should read -0.5 Vdc. If the test points read correctly but the diagnostic tests show the wrong voltages, go to Service Sheet 10 to continue troubleshooting. If the test point voltages are incorrect, troubleshoot the peak detectors and the input circuit after first checking the output of the test oscillator to be sure it is correct. If all four measurements are correct, go to Service Sheet 11 to check CPU operation and ROM signatures.

12. Set service switch to NORM and press EXT 1 MHz/V key. If the LED in the EXT 1 MHz/V key fails to light, go to Service Sheet 1 to continue troubleshooting. If the LED lights, go to Service Sheet 11 to troubleshoot problems with front panel data handling.

SERVICE SHEET 12 (cont'd)

13. Install the FM Shaper board on a 2x18 pin extender board. Connect an oscilloscope to the center conductor of J1. Apply a 1 kHz sine wave to the FM connector at about 0.4 Vrms. Select EXT 10 MHz/V FM range. Set the FM vernier to obtain an indicated deviation of 5 MHz. A 10 Vp-p sine wave should be present. The top half of the sine wave is a little broader than the bottom half due to the FM Shaper circuit, however, there should be no evidence of clipping on the signal. The positive peak of the sine wave should be at about -7 volts and the negative peak should be at about -17 volts. Rotate the FM vernier fully counterclockwise. The sine wave amplitude should drop to near

zero with a remaining bias of about -11 Vdc. If the voltages are all correct, continue to the next step. Otherwise, troubleshoot the input buffer and output amplifier.

14. Reset the FM vernier for 5 MHz indicated deviation. Select EXT 1 MHz/V FM range. Use ac coupling on the oscilloscope to allow convenient viewing of the sine wave. The sine wave should drop to about 1 Vp-p around the -7.5 Vdc bias. If the signal does not drop properly, troubleshoot relays K1, K2 and K3 as well as the resistive divider and the relay drive signals. If the voltages are correct, troubleshoot the microwave oscillator varactor input. See Block Diagram 2.

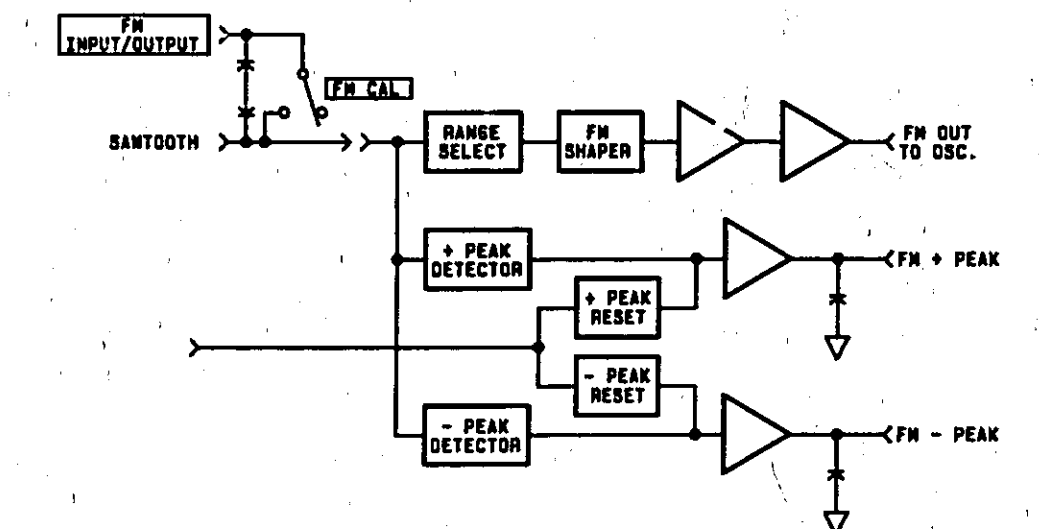


Figure 8-54. FM Shaper Simplified Block Diagram

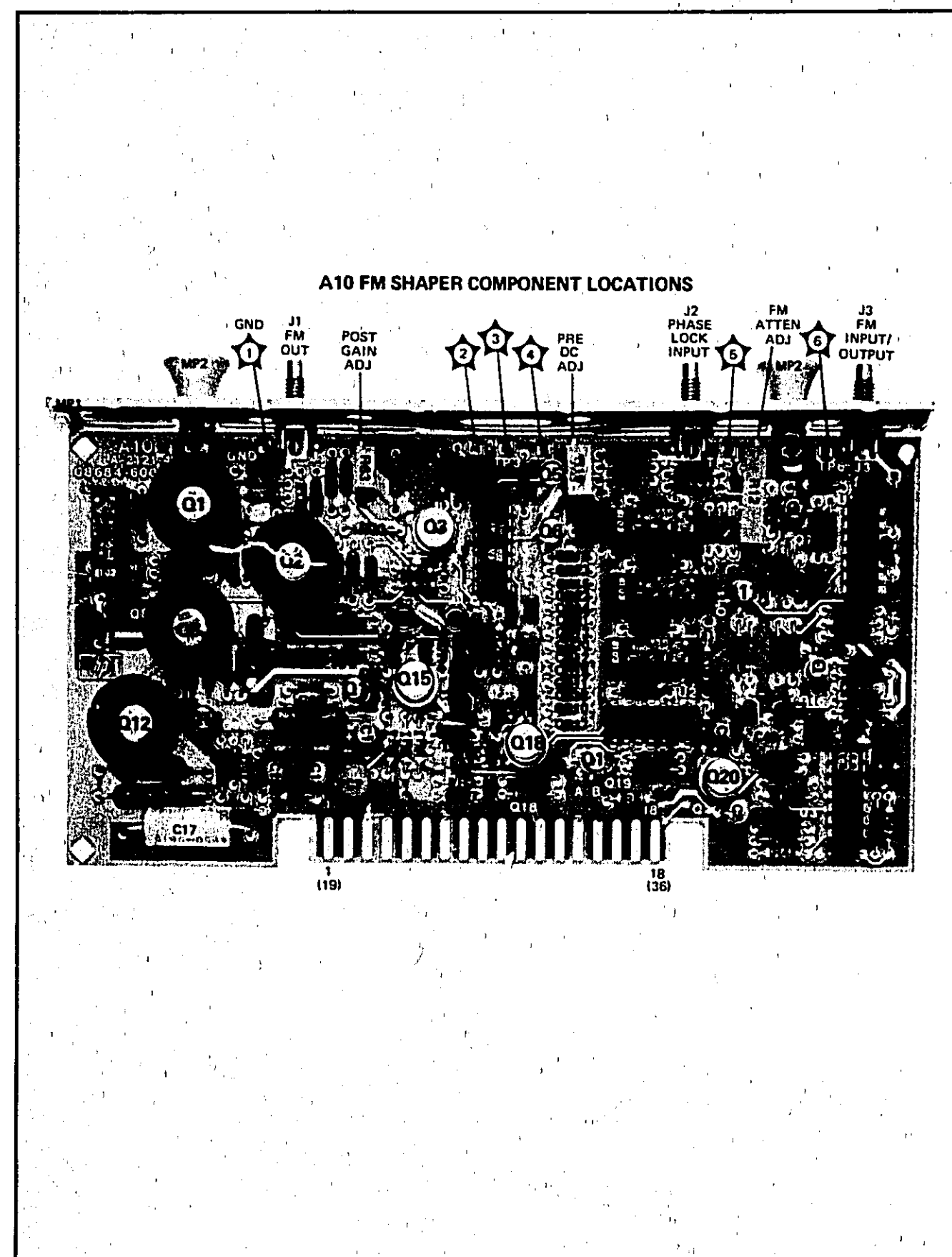


Figure 8-55. A10 FM Shaper Component Locations

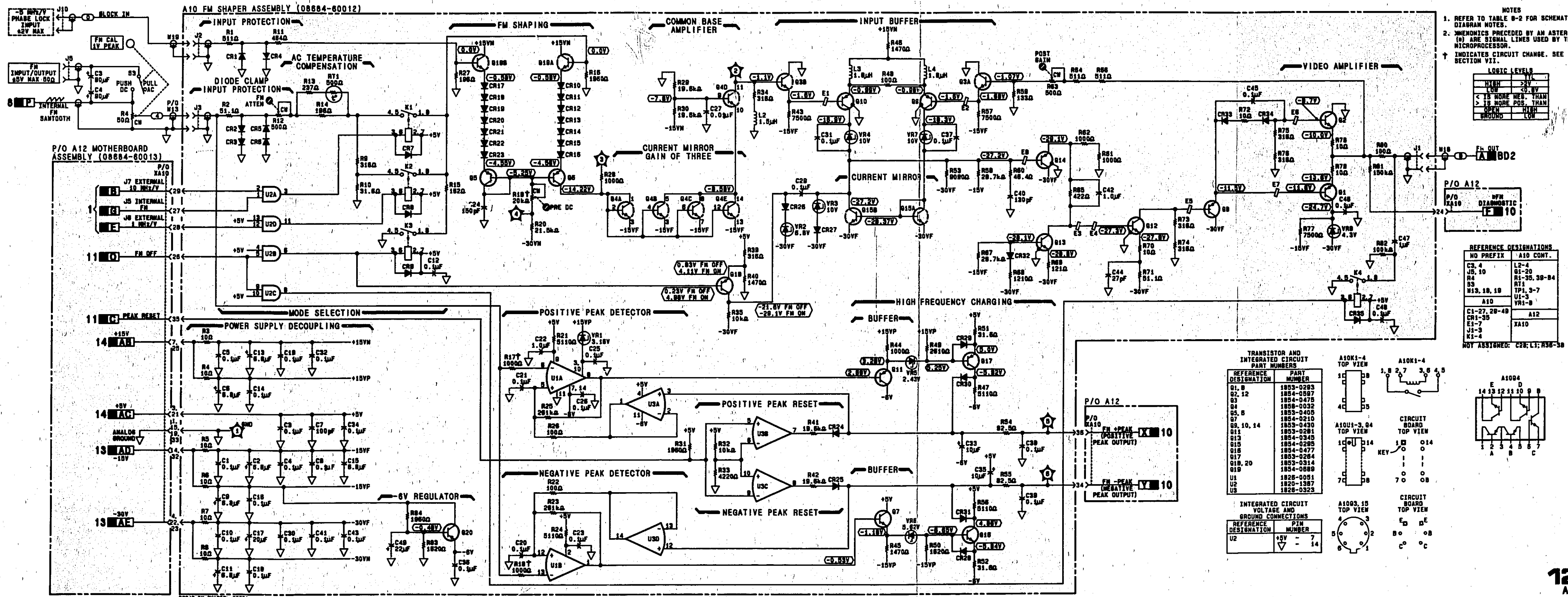


Figure 8-56. FM Shaper Schematic Diagram

SERVICE SHEET 13**POWER SUPPLY [NEGATIVE REGULATOR]****PRINCIPLES OF OPERATION****General.**

There are fixed supplies at -15 Vdc and -30 Vdc. This Signal Generator has some additional circuitry to generate what is called a "sloping" supply. This supply changes voltage to the microwave oscillator as the center frequency is tuned. There are two outputs from the sloping supply; they go to the two oscillator FETs in the microwave cavity oscillator. All the supplies have foldback current limiting and overvoltage crowbar protection.

Foldback Current Limiting.

Foldback current limiting works in the following way. The -15 V supply will be used as an example. At the output of A12Q2 there is a 1 ohm resistor; the resistor value determines the maximum current that can flow before current limiting begins. The voltage developed across this resistor is sensed by A11Q6 whose emitter is connected to the output side of this "sense" resistor and whose base is connected through a 348 ohm resistor to the input side of the resistor. During normal power supply operation the voltage dropped across the resistor will be less than the transistor's base-emitter junction turn-on voltage. If the current increases so the voltage drop is about 0.7 volts, transistor Q6 will turn on and start to sink current into the output of A11U2, the regulator reference amplifier. This current would normally go to the base of A11Q7 to be amplified as base drive for the series regulator transistor. With this current removed, the base drive to the series pass transistor decreases and causes the current delivered by the power supply to drop. Once the power supply has started to limit current output in this way, the best way to recover is to completely remove the input voltage from the power supply by unplugging the instrument from the mains.

Crowbar Circuit.

A crowbar circuit is present on all the power supply regulators as protection against overvoltage conditions. Depending on the nature of the problem, the crowbar circuit may or may not blow the associated fuse. The crowbars can be reset by turning off the instrument for a few seconds and turning it back on again.

The fan is powered by the mains through the line switch. Its operation is independent of any of the dc supplies. If an instrument appears to be completely dead, you can quickly decide if mains voltage is reaching the instrument by checking for fan operation. This also allows you a quick check on the condition of the mains fuse in the line power module.

SERVICE SHEET 13 (cont'd)

The -30 volt power supply has an additional circuit at the output of the bridge rectifier. A crowbar circuit there is included to protect the instrument from large line voltage surges or from accidentally connecting the instrument to a 230 volt main when the line power module is set for 120 volts. The transformer secondary being monitored by the crowbar is typically 36 volts rms. A zener diode, A11VR1, is set to turn on the SCR when the transformer secondary exceeds about 62 volts peak. As with any precision instrument, care should be taken to avoid exposing the instrument to line surges. Even if the crowbar doesn't fire, proper operation can be disrupted by sudden changes of the mains voltage.

Sloping Supplies

A 0 to 10 volt signal that corresponds to the frequency of the microwave oscillator is fed into the power supply board. This signal is fed through a series of operational amplifiers and comparators to a pair of pass transistors, A11Q10 and A11Q11. The collectors of both transistors go to the $+15$ V supply. By varying the base bias the output vol-

tage is sloped with frequency. The higher the input voltage, the harder the transistors are turned on and therefore the lower the output voltage which feeds the microwave oscillator.

TROUBLESHOOTING

Observe the green LED array at the top of the power supply board. The negative power supply LEDs should be on at about the same brightness. If they are on, use a digital voltmeter to confirm that they are within specifications. Refer to Table 8-21 for voltage specifications. If one or both of these LEDs are off, troubleshoot to find the cause of the LED being off. Note that the -30 volt supply is referenced to the -15 volt supply. If it is wrong, they will both be wrong. Use the voltages on the schematic to troubleshoot to the defective component.

Table 8-21. Negative Power Supply Test Data

| Power Supply Voltage | Typical Accuracy | Diagnostic Test Number | A11 Test Point |
|----------------------|------------------|------------------------|----------------|
| -15 V | ± 0.05 V | 04 | TP4 |
| -30 V | ± 0.1 V | 05 | TP2 |

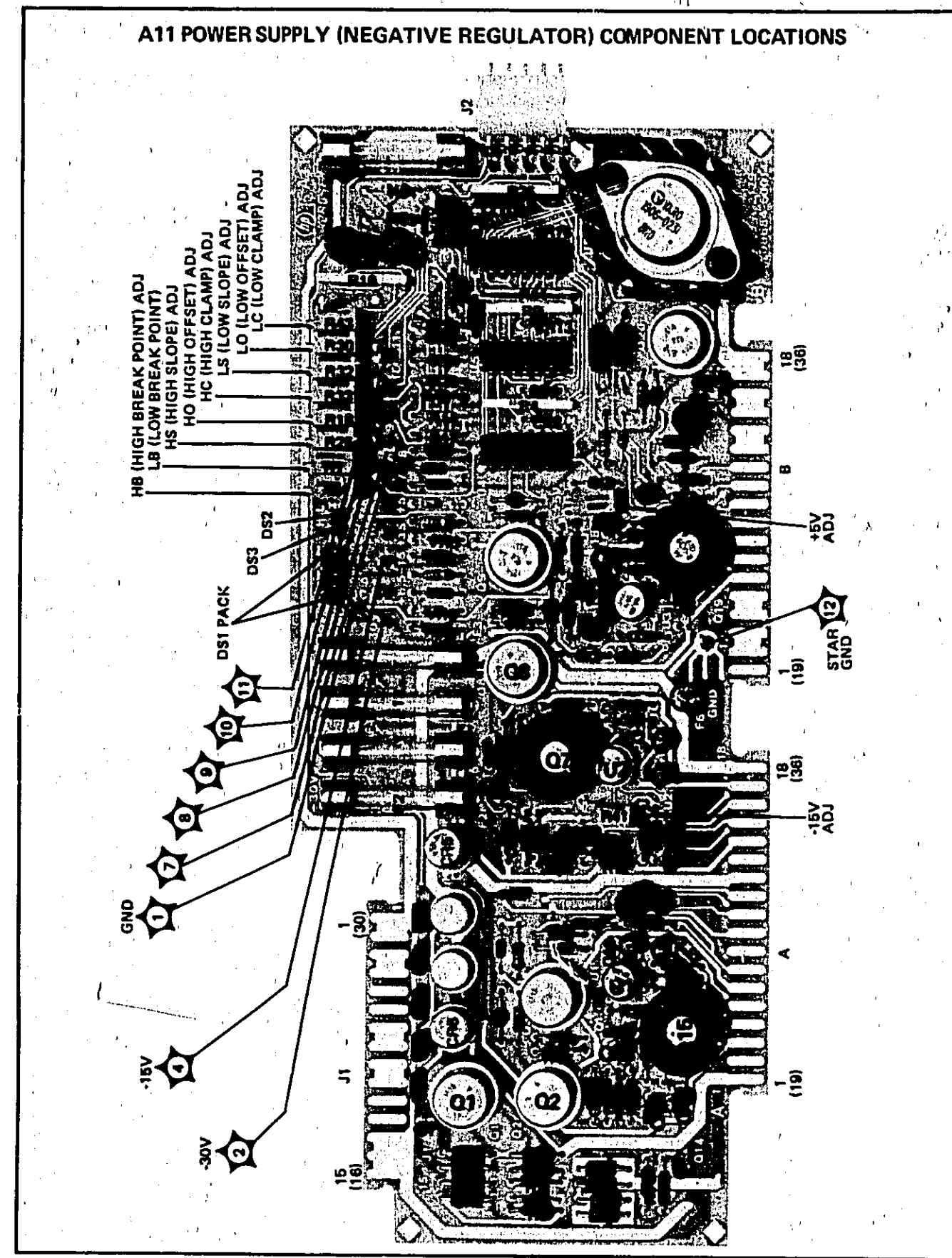
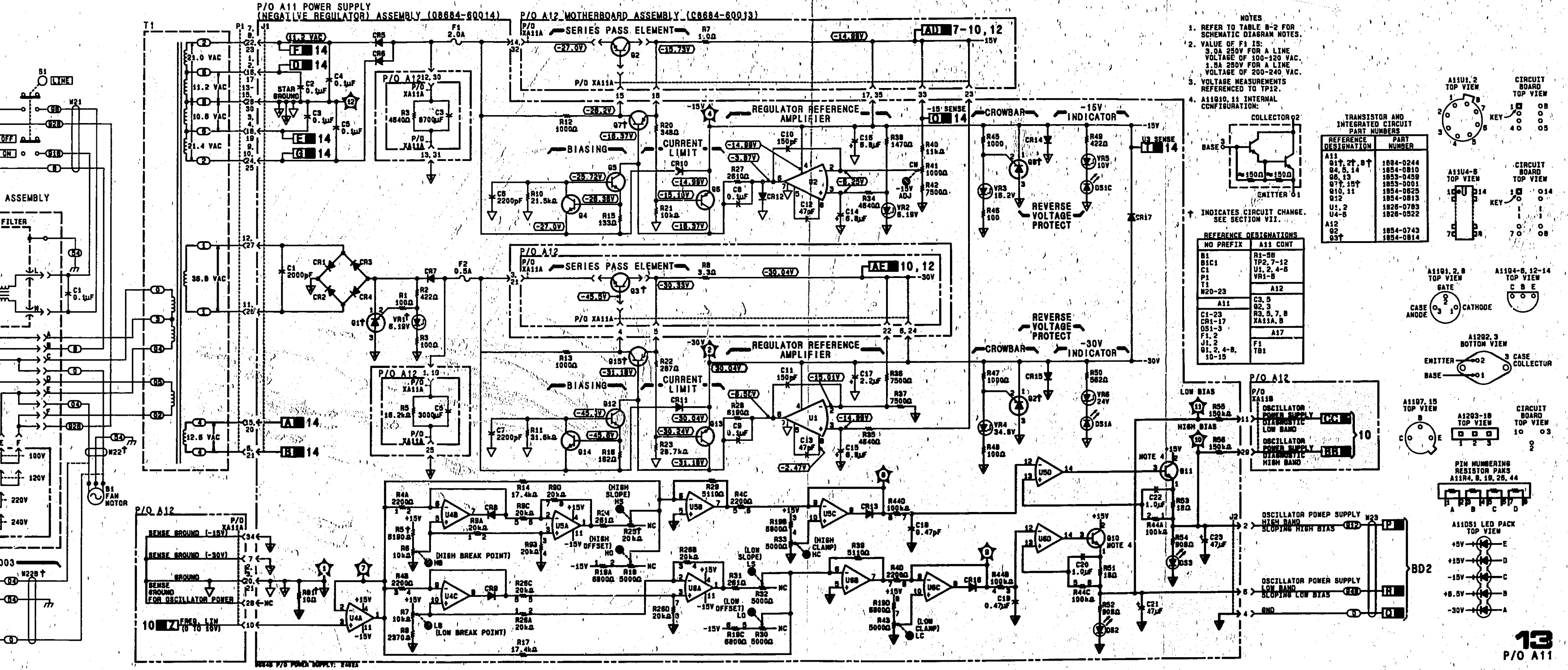
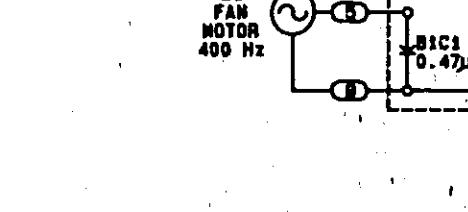
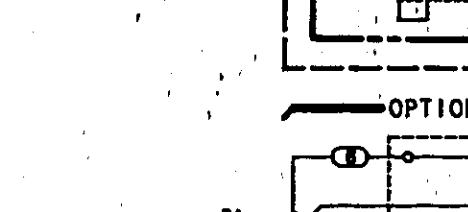
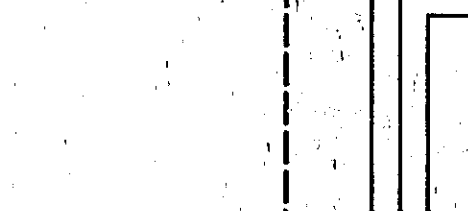
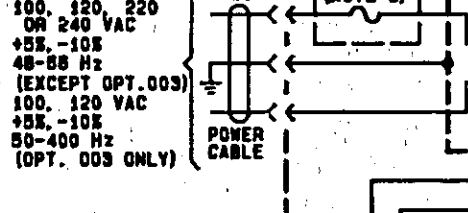
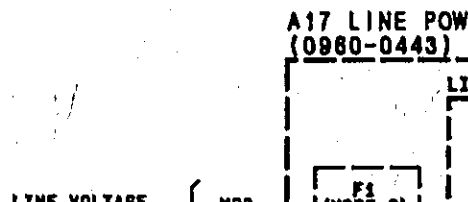


Figure 8-57. Power Supply Component Locations

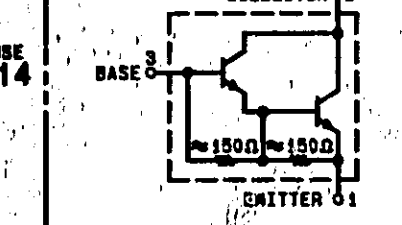
⚡ DANGER HAZARDOUS VOLTAGE

WARNING

MAINS VOLTAGE IS PRESENT AT THE LINE MODULE WHENEVER THE POWER CABLE IS CONNECTED. WHENEVER THE POWER CABLE IS CONNECTED BE EXTREMELY CAREFUL WHEN WORKING IN PROXIMITY TO THESE AREAS. THESE HAZARDOUS VOLTAGES COULD CAUSE SERIOUS PERSONAL INJURY IF CONTACTED.



- NOTES**
- REFER TO TABLE B-2 FOR SCHEMATIC DIAGRAM NOTES.
 - VALUE OF F1 IS 3.0A 250V FOR A LINE VOLTAGE OF 100-120 VAC. 1.5A 250V FOR A LINE VOLTAGE OF 200-240 VAC.
 - VOLTAGE MEASUREMENTS REFERENCED TO TP12.
 - A11010 IS INTERNAL CONFIGURATION:



INDICATES CIRCUIT CHANGE. SEE SECTION VII.

REFERENCE DESIGNATIONS

| NO PREFIX | A11 CNT |
|-------------------|-------------|
| B1 | R5-5B |
| CR1 | TP2, 7-12 |
| C1 | U1, 2, 4-5 |
| P1 | VR1-B |
| T1 | A12 |
| W20-23 | A11 |
| A11 | C3, 5 |
| C1-23 | Q2, 3 |
| CR1-17 | R2, 5, 7, B |
| DS1-3 | XA11A, B |
| F1, 2 | A17 |
| J1, 2 | F1 |
| Q1, 2, 4-9, 10-15 | TB1 |

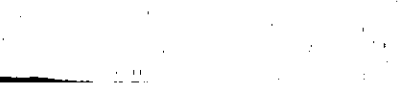
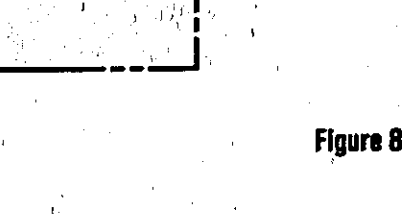
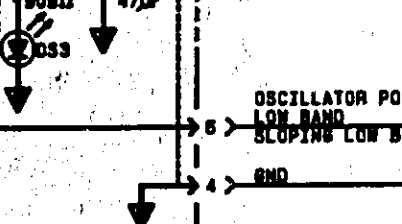
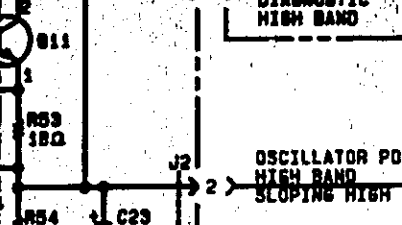
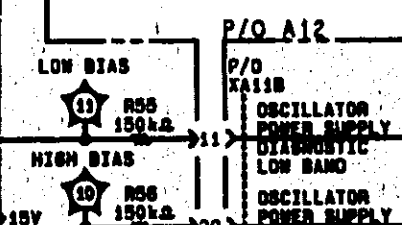


Figure 8-58. Power Supply (Negative Regulator) Schematic Diagram

SERVICE SHEET 14**POWER SUPPLY [POSITIVE REGULATOR]****PRINCIPLES OF OPERATION****Fixed Supplies**

There are fixed supplies at +5 Vdc, +6.5 Vdc, and +30 Vdc. The fixed regulated supplies are of two types. The higher current supply, the +15V uses a series pass transistor while the two lower current supplies, the +6.5V and +5V supplies use three port regulators. All the supplies have foldback current limiting and overvoltage crowbar protection.

Foldback Current Limiting

Foldback current limiting works in the following way. The +15V supply will be used as an example. At the output of A12Q1 there is a 1 ohm resistor; the resistor value determines the maximum current that can flow before current limiting begins. The voltage developed across this resistor is sensed by A11Q18 whose emitter is connected to the output side of this "sense" resistor and whose base is connected through a 348 ohm resistor to the input side of the resistor. During normal power supply operation the voltage dropped across the resistor will be less than the transistor's base-emitter junction turn-on voltage. If the current increases so the voltage drop is about 0.7 volts, transistor Q18 will turn on and start to conduct current from the output of A11U3, the reference regulator amplifier. This current would normally go to the base of A11Q19 to be amplified as base drive for the series regulator transistor. With this current removed, the base drive to the series pass transistor decreases and causes the current deli-

vered by the power supply to drop. Once the power supply has started to limit current output in this way, the best way to recover is to completely remove the input voltage from the power supply by unplugging the instrument from the mains.

Crowbar Circuit.

A crowbar circuit is present on all the power supply regulators as protection against overvoltage conditions. Depending on the nature of the problem, the crowbar circuit may or may not blow the associated fuse. The crowbars can be reset by turning off the instrument for a few seconds and turning it back on again.

TROUBLESHOOTING

Observe the green LED array at the top of the power supply board. The positive power supply LEDs should be on at about the same brightness. If they are on, use a digital voltmeter to confirm that they are within specifications. Refer to Table 8-22 for voltage specifications. If one or more LEDs are off, troubleshoot to find the cause of the LED being off. Note that the +15 volt supply is referenced to the -15 volt supply. If it is wrong, they will both be wrong. Use the voltages on the schematic to troubleshoot to the defective component.

Table 8-22. Positive Power Supply Test Data

| Power Supply Voltage | Typical Accuracy | Diagnostic Test Number | A11 Test Point |
|----------------------|------------------|------------------------|----------------|
| +5 V | ± 0.05 V | 00 | TP6 |
| +6.5 V | ± 0.1 V | 02 | TP3 |
| +15 V | ± 0.1 V | 03 | TP5 |

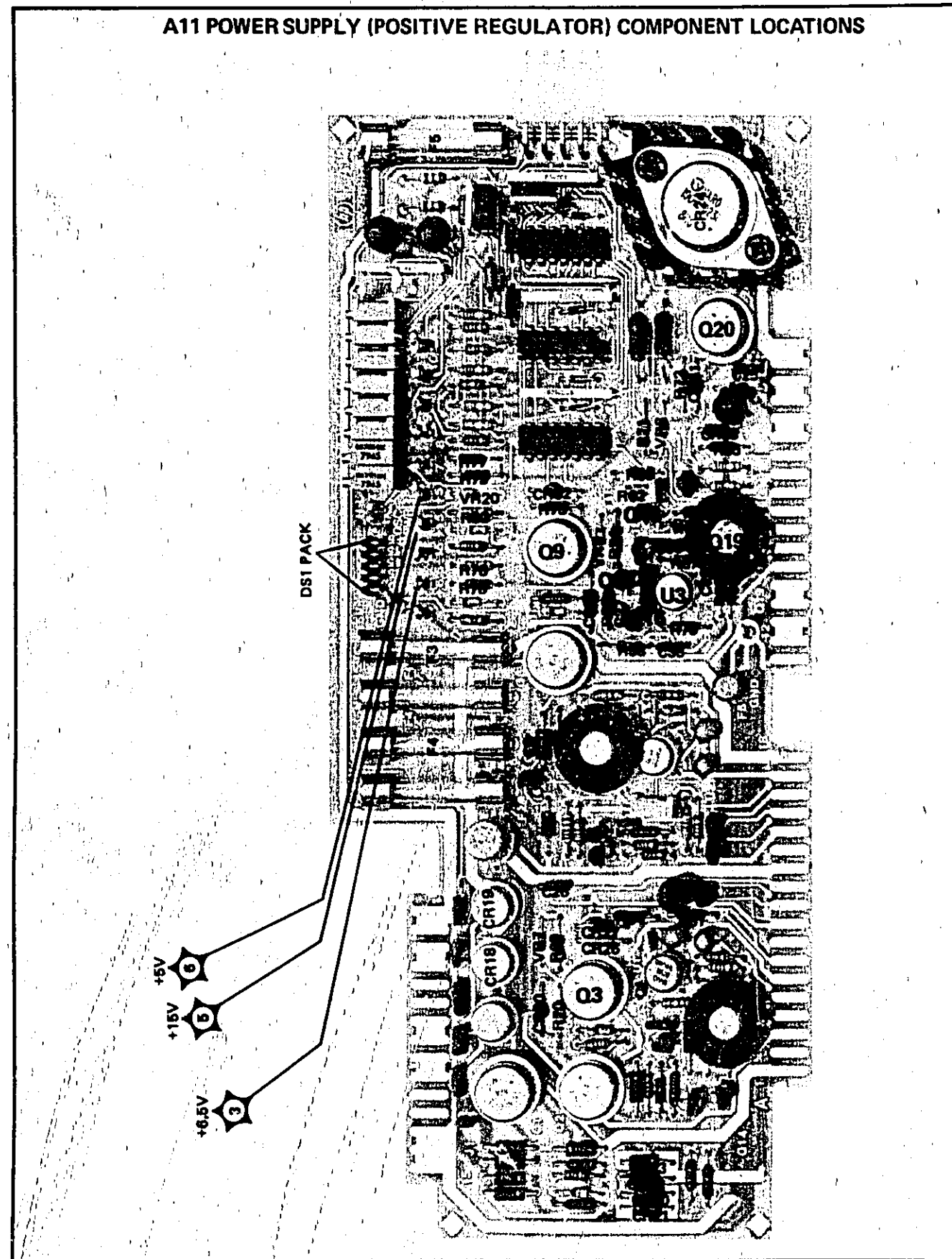


Figure 8-59. Power Supply Component Locations

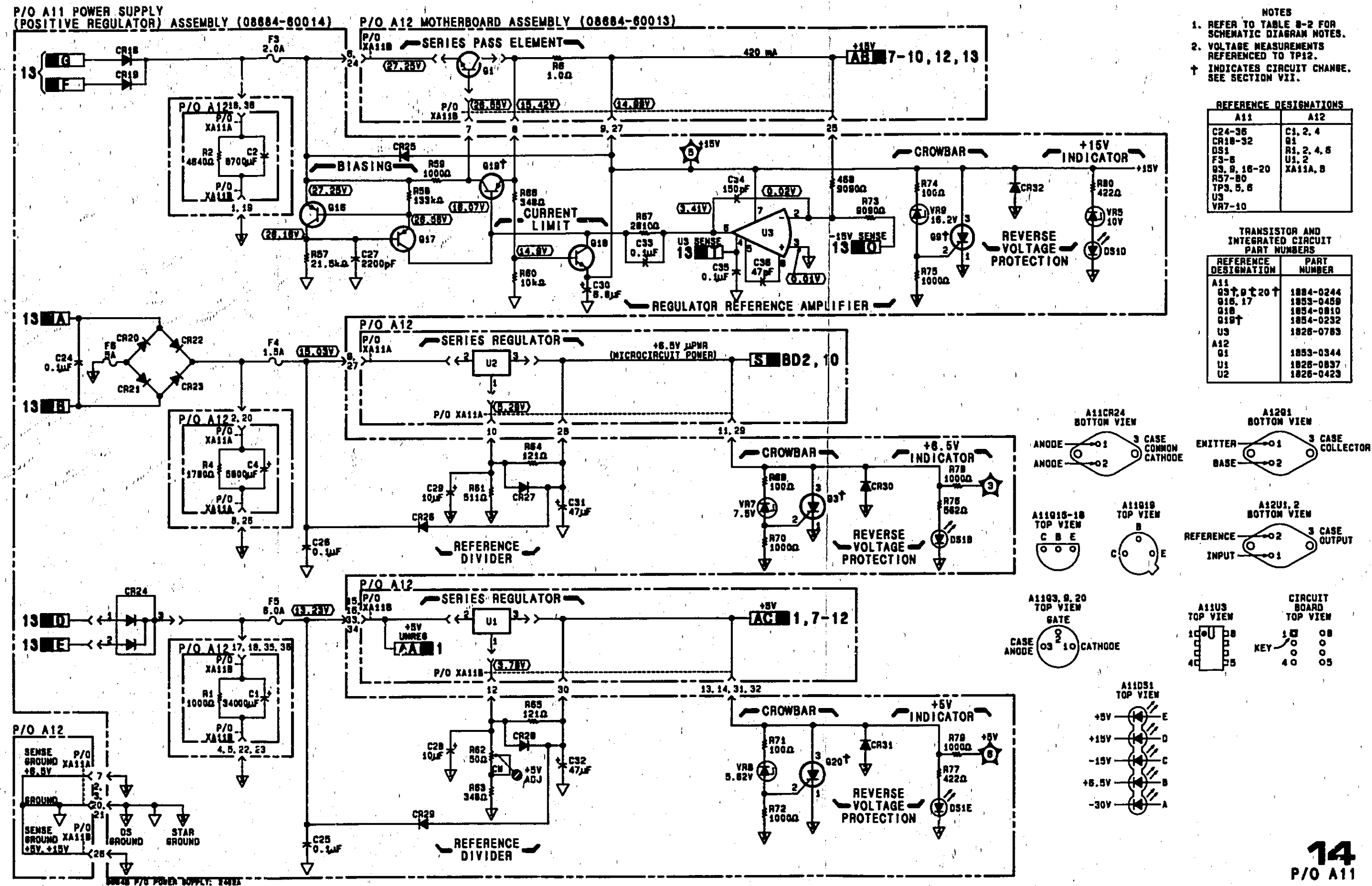
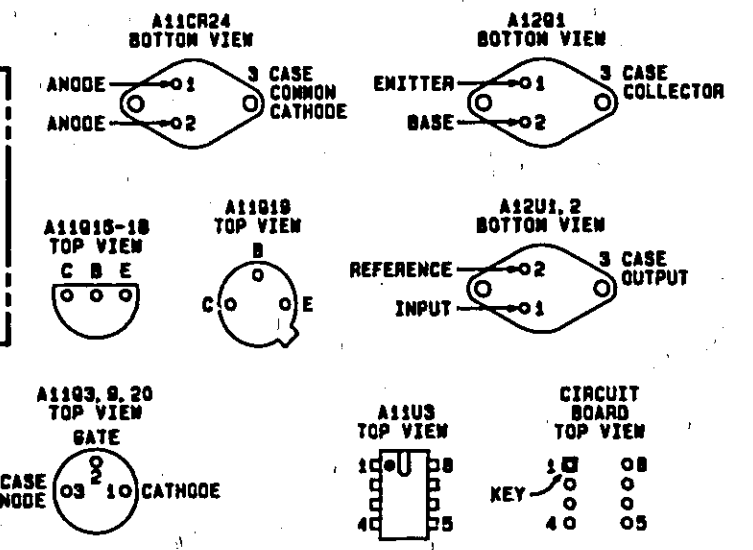


Figure 8-60. Power Supply (Positive Regulator) Schematic Diagram

- NOTES
- REFER TO TABLE 8-2 FOR SCHEMATIC DIAGRAM NOTES.
 - VOLTAGE MEASUREMENTS REFERENCED TO TP12.
- † INDICATES CIRCUIT CHANGE. SEE SECTION VII.

| REFERENCE DESIGNATIONS | |
|------------------------|-------------|
| A11 | A12 |
| C24-38 | C1, 2, 4 |
| CR18-32 | Q1 |
| DS1 | R1, 2, 4, 6 |
| FS-8 | U1, 2 |
| Q3, 9, 16-20 | XA11A, B |
| R57-80 | |
| TP3, 5, 6 | |
| U3 | |
| VR7-10 | |

| TRANSISTOR AND INTEGRATED CIRCUIT PART NUMBERS | |
|--|-------------|
| REFERENCE DESIGNATION | PART NUMBER |
| A11 | |
| Q3†, Q9†, Q20† | 1884-0244 |
| Q16, 17 | 1853-0489 |
| Q18 | 1854-0810 |
| Q19† | 1854-0232 |
| U3 | 1826-0783 |
| A12 | |
| Q1 | 1853-0344 |
| U1 | 1826-0837 |
| U2 | 1826-0423 |



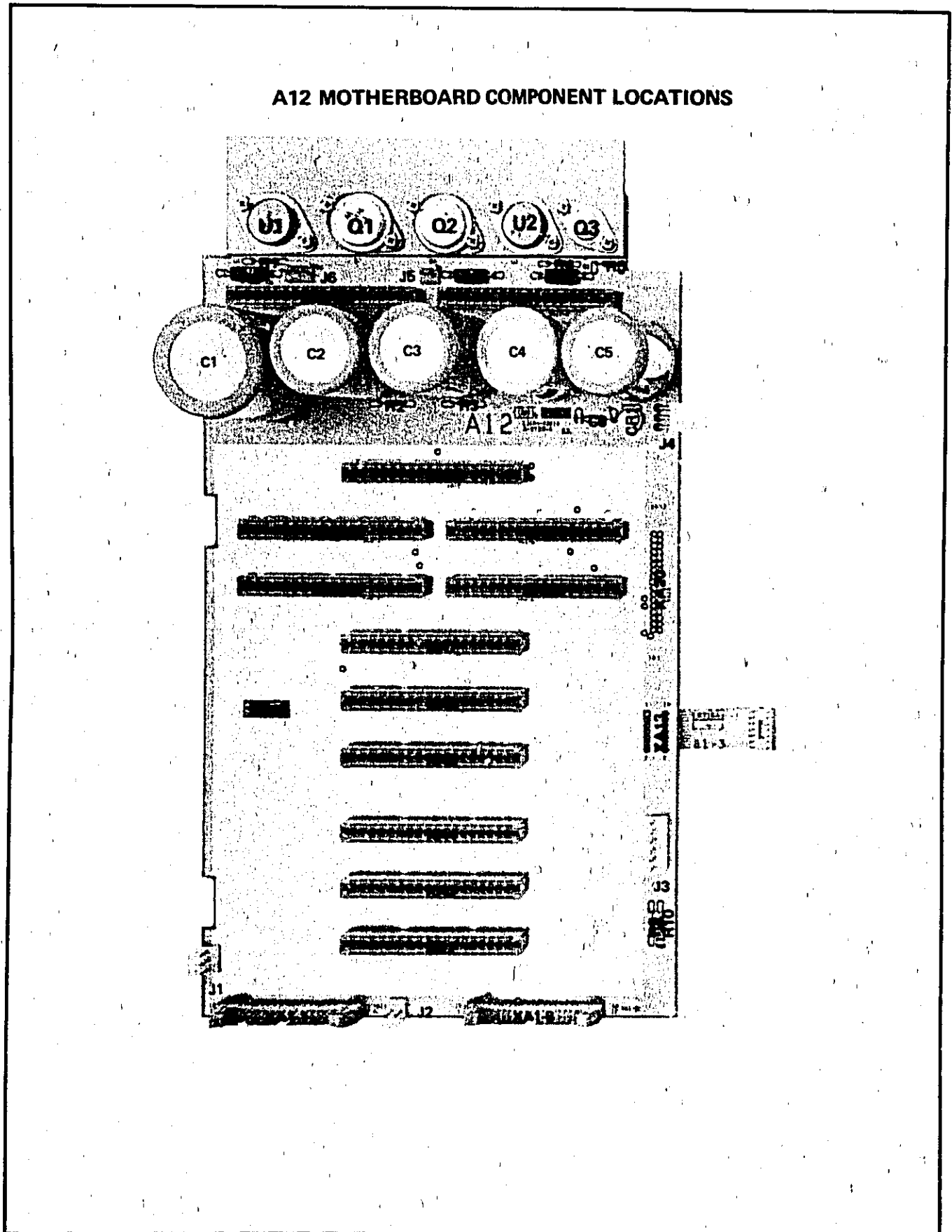


Figure 8-61. A12 Motherboard Component Locations

MANUAL CHANGES

MANUAL CHANGES

SIGNAL GENERATOR

MANUAL IDENTIFICATION

Model Number: HP 8684B
Date Printed: September 1984
Part Number: 08684-90037

This supplement contains important information for correcting manual errors and for adapting manual to instruments containing improvements made after the printing of the manual.

To use this supplement:

Make all ERRATA corrections

Make all appropriate serial number related changes indicated in the tables below.

| Serial Prefix or Number | Make Manual Changes | Serial Prefix or Number | Make Manual Changes |
|-------------------------|---------------------|-------------------------|---------------------|
| 2432A | 1 | 2631A | 1-7 |
| 2448A | 1, 2 | ▶2637A | 1-8 |
| 2503A | 1, 2, 3 | | |
| 2508A | 1-4 | | |
| 2510A | 1-5 | | |
| 2542A | 1-6 | | |

▶ NEW ITEM

ERRATA

Warranty Page (Back of front cover):

Change the first paragraph under WARRANTY to:

"This Hewlett-Packard instrument product is warranted against defects in material and workmanship for a period of one year from date of shipment. During the warranty period, Hewlett-Packard Company will, at its option, either repair or replace products which prove to be defective."

Page 1-6, Table 1-1:

Under "Conditions" for Video Feedthrough, change text to read, "Within a dc to 200 MHz bandwidth, at maximum specified power."

Page 3-5, Figure 3-2:

Add the following sentence to FM Controls. "When operating in the FM INT mode, disconnect any external FM sources."

Page 4-3, paragraph 4-7, Specification:

Change second performance limit for Calibration Accuracy to $>9 \text{ GHz} \pm 0.75\%$.

Page 4-13, Paragraph 4-10:

Change step 5 to read as follows:

5. Set audio analyzer frequency to 1 kHz, and adjust output level to assure that at least 70% modulation level can be achieved, as read on the modulation analyzer. Record the maximum modulation level obtained.

Modulation Level _____ %

NOTE

Manual change supplements are revised as often as necessary to keep manuals as current and accurate as possible. Hewlett-Packard recommends that you periodically request the latest edition of this supplement. Free copies are available from all HP offices. When requesting copies quote the manual identification information from your supplement, or the model number and print date from the title page of the manual.

26 August 1986
15 Pages

Printed in U.S.A.



HEWLETT
PACKARD

ERRATA (cont'd)

Page 4-14, Paragraph 4-10:

Change the last sentence of Step 7 to read as follows:
Record the frequencies at which the 3 dB points are attained.

Upper 3 dB Point (>10 kHz) _____ kHz
Lower 3 dB Point (<50 Hz) _____ Hz

Change the first sentence of Step 8 to read as follows:

With the audio analyzer output frequency set to 10 kHz and the output level set to obtain an indicated 30% MODULATION on the Signal Generator under test, press the FM PEAK+ switch on the modulation analyzer.

Page 4-18, Step 16:

Change the first sentence of Step 16 to read as follows:

Select EXT 1 MHz/V FM on the Signal Generator, set the audio analyzer to 100 kHz, and adjust output amplitude to a 0.4 MHz peak deviation on the Signal Generator under test.

Page 4-20, Specifications:

Under "Conditions" for Video Feedthrough, change text to read, "Within a dc to 200 MHz bandwidth, at maximum specified power."

Page 4-29, Table 4-1 Performance Test Record:

Replace pertinent information in Table 4-1 with Table 4-1A.

Table 4-1A. Performance Test Record

| Para. No. | Test | Results | | |
|-----------|--|----------|----------------|--------------------|
| | | Min. | Actual | Max. |
| 4-10. | AM Rates (3 dB BW) Upper 3 dB Point Lower 3 dB Point | + 10 kHz | _____ _____ | +7.00 dBm 50 Hz |

Page 5-5, paragraph 5-8:

Delete steps 2, 3, and 4.

Page 5-6, paragraph 5-8:

Delete step 11.

Page 5-8, Figure 5-4:

Remove PULSE RISE TIME, R81.

Page 5-10, paragraph 5-9:

After paragraph 5-9, add paragraph 5-9A. ALC TRACKING ADJUSTMENTS, shown in this supplement.

Page 6-6, Table 6-3:

Change A1MP18 to 0380-1275 CD9 SPACER RND 0.34-IN-LG 0.12-IN-ID.

Add A1R28 0757-0401 CD0 RESISTOR 100° 1% 0.125 W F TC=0±100.

Page 6-8, Table 6-3:

A2CR3. If A2CR3 needs replacement, replace it with the recommended part described in CHANGE 5.

Page 6-16, Table 6-3:

Change A5R43 to 0698-5335 CD7 RESISTOR 5.62K 1% 0.1 W FTC=0±100.

ADJUSTMENTS (Errata)

5-9A. ALC TRACKING ADJUSTMENTS

Reference Service Sheet 7 and 8

Description The adjustments performed here will assure proper amplitude variation throughout the vernier range.

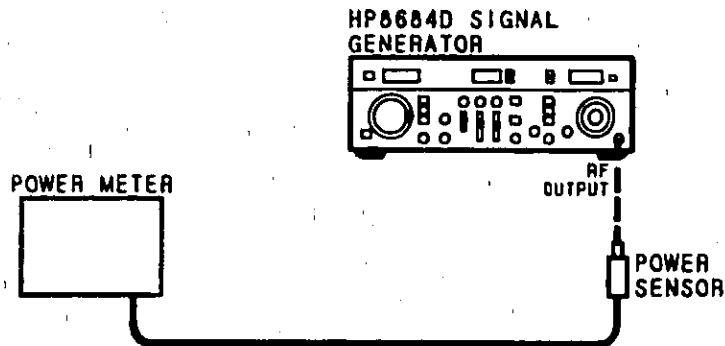


Figure 5-5A. A7 ALC Tracking Adjustment Setup

Equipment

| | | |
|--------------------|----------|--|
| Power Meter | HP 436A | |
| Power Sensor | HP 8481A | |

- Procedure**
1. Make sure all boards are installed in the instrument. Set the instrument to any frequency in its specified range.
 2. Connect power meter to the RF OUTPUT connector. Set calibration factor on the power meter to match the sensor.
 3. Set signal generator to display 0 dBm on the +5 to -20 dBm power range. Adjust A7 RF LVL to get 0 dBm \pm 0.1 dB on the power meter.
 4. Set the vernier to display -20 dBm. Adjust A6 DET AMP OFFSET to get -20 dBm \pm 0.1 dB on the power meter.
 5. Return vernier to 0 dBm and switch range to +10 dBm. Adjust the A7 -10 dB PAD ADJUST to get +10 dBm \pm 0.1 dB on the power meter.
 6. Set the vernier to display -10 dBm. Adjust A7 REF OFFSET to get -10 dBm \pm 0.1 dB on the power meter.
 7. Repeat steps 3 through 6 until all limits are met.

ERRATA (cont'd)**Page 6-19, Table 6-3:**

A6R24. If A6R24 needs replacement, replace it with the recommended part described in **CHANGE 6.**

Page 6-23, Table 6-3:

A8. If A8 needs replacement, replace it with the recommended assembly described in **CHANGE 6.**

Page 6-28, Table 6-3:

Change A10Q3 to 1854-0712 CD3 TRANSISTOR DUAL NPN PD=1.8W.

Page 6-32, Table 6-3:

A11R41. If A11R41 needs replacement, replace it with the recommended part described in **CHANGE 6.**

Page 6-35, Table 6-3:

A16. Add four each of the following below A16:

A16MP1 0515-0507 CD6 SCREW-MACH M2 X 0.4 18MM-LG PAN HD.

A16MP2 0535-0018 CD5 NUT-HEX DBL-CHAM M2 X 0.4 1.6MM-THK.

A16MP3 02190-0591 CD9 WASHER-LK HLCL 2.0MM 2.2MM-ID.

A16MP4 3050-0982 CD7 WASHER-FL MTLC 2.0MM 2.2-MM-ID 5-MM-OD.

Page 6-38, Table 6-3:

AT3E1. Add four each of the following below AT3E1:

A16MP1 0515-0507 CD6 SCREW-MACH M2 X 0.4 18MM-LG PAN HD.

A16MP2 0535-0018 CD5 NUT-HEX DBL-CHAM M2 X 0.4 1.6MM-THK.

A16MP3 02190-0591 CD9 WASHER-LK HLCL 2.0MM 2.2MM-ID.

A16MP4 3050-0982 CD7 WASHER-FL MTLC 2.0MM 2.2-MM-ID 5-MM-OD.

Page 6-38, Table 6-3:

Add AT3E1 9170-0029 CD3 CORE-SHIELDING BEAD.

Add NSR (not separately replaceable) to AT1, CR1, and DC1. Refer to Table 6-1 and order the complete assembly to ensure proper calibration.

Page 6-40, Table 6-3:

W33. If W33 needs replacement, replace it with the recommended part described in **CHANGE 6.**

Page 6-44, Figure 6-3:

Change callouts P/O W31 to P/O W33.

Page 6-45, Table 6-3:

MP51. If MP51 needs replacement, replace it with the recommended part described in **CHANGE 6.**

Page 6-47, Table 6-3:

Change MP114 to 5061-0089 CD0 FRONT HANDLE KIT.

Change MP115 to 5001-0439 CD8 TRIM, FRONT SIDE.

Page 8-31, Step 6:

In the fourth sentence change 10.24 volts to 0.8 volts.

In the sixth sentence change "drop" to "rise" and 0.0 volts to 8.7 volts.

Page 8-33, Step 28:

In the second sentence change 0.9 μ s to 10 μ s.

ERRATA (cont'd)

Page 8-37, Figure 8-18 (Service Sheet BD2):
Add E1 to AT3 Pulse Modulator's pulse input.

Page 8-39, Figure 8-21 (Service Sheet 1):
Change A1R21 to A1R28.

Page 8-50, (Panel three) TROUBLESHOOTING, step 9:
Change >15 dBm to ">-15 dBm."

Page 8-51, Figure 8-40 (Service Sheet 7):
Change A5R43 to 5620 Ω.

Page 8-61, Figure 8-56 (Service Sheet 12):
Change A10Q3 to 1854-0712 in the table of transistor integrated circuit part numbers.

CHANGE 1

Page 6-35, Table 6-3:
Delete A13C3.

Page 8-37, Figure 8-18 (Service Sheet BD2):
Delete capacitor A13C3.

CHANGE 2

Page 6-26, Table 6-3:
Change A9U8 to 08684-80012 CDO ROM 8K.

Page 8-58, Table 8-18:
Add signatures for ROM part number 08684-80012.

| AGUB PIN # | 08684-80012 |
|------------|-------------|
| 11 | 0H93 |
| 12 | P19H |
| 13 | P030 |
| 15 | 7P12 |
| 16 | 6U2A |
| 17 | 33CU |
| 18 | 3U67 |
| 19 | 576A |

Page 8-59, Figure 8-53 (Service Sheet 11):
Change A9U8 to 08684-80012 in the table of transistor and integrated circuit part numbers.

CHANGE 3

Page 6-5, Table 6-3:
Change A1 to 08684-60154 CD9 FRONT PANEL BOARD.
Change A1C1 through A1C7 to 0180-0197 CD8 CAPACITOR-FXD 2.2 μF ±10% 20 VDC.
Change A1DS1 through A1DS4, A1DS8 through A1DS10, and A1DS12 through A1DS14 to 1990-0540 CD3 DISPLAY NUMERIC SEG.
Change A1DS11 to 1990-0681 CD3 DISPLAY AN SEG.

CHANGE 3 (cont'd)

Page 6-6, Table 6-3:

Add A1R29 through A1R38 0757-0438 CD3 RESISTOR 5.11K 1% 0.125W F TC=0±100.
Change A1U2 through A1U4 to 1820-3395 CD3 IC DCDR TTL BCD to 7 SEG 4 to 7 LINE.

Page 6-7, Table 6-3:

Change A1U7, A1U9 through A1U12, A1U14, and A1U15 to 1820-3395 CD3 IC DCDR TTL BCD to 7 SEG 4 to 7 LINE.
Change A1XA1DS1 through A1XA1DS4 and A1XA1DS8 through A1XA1DS14 to 1200-1170 CD4 SOCKET IC.

Page 8-38, Figure 8-19:

Change to Figure 8-19 Front Panel Component Locations (Part of Change 3) found in this supplement.

Page 8-39, Figure 8-21 (Service Sheet 1):

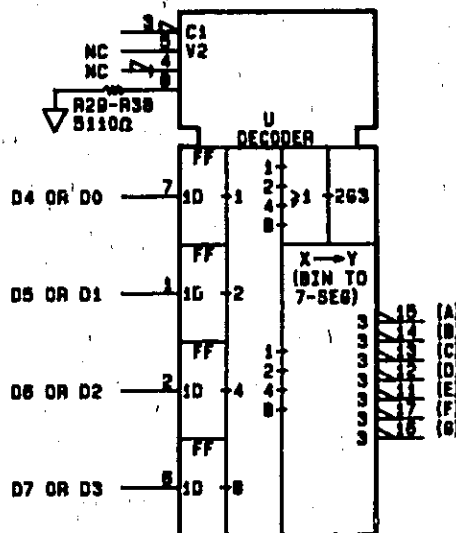
Change A1 Front Panel Assembly to 08684-60154. Change serial prefix to 2503A in lower left corner.

Page 8-40, Figure 8-22:

Change to Figure 8-22 Front Panel Component Locations (Part of Change 3) found in this supplement.

Page 8-41, Figure 8-24 (Service Sheet 2):

Change in the table of part numbers U9 through U12 to 1820-3395.
Change A1 Front Panel Assembly to 08684-60154. Change serial prefix to 2503A in lower left corner.
Change the schematic symbol for U9 through U12 to the symbol shown in this supplement.



P/O Figure 8-24 (Service Sheet 2) and P/O Figure 8-27 (Service Sheet 3)

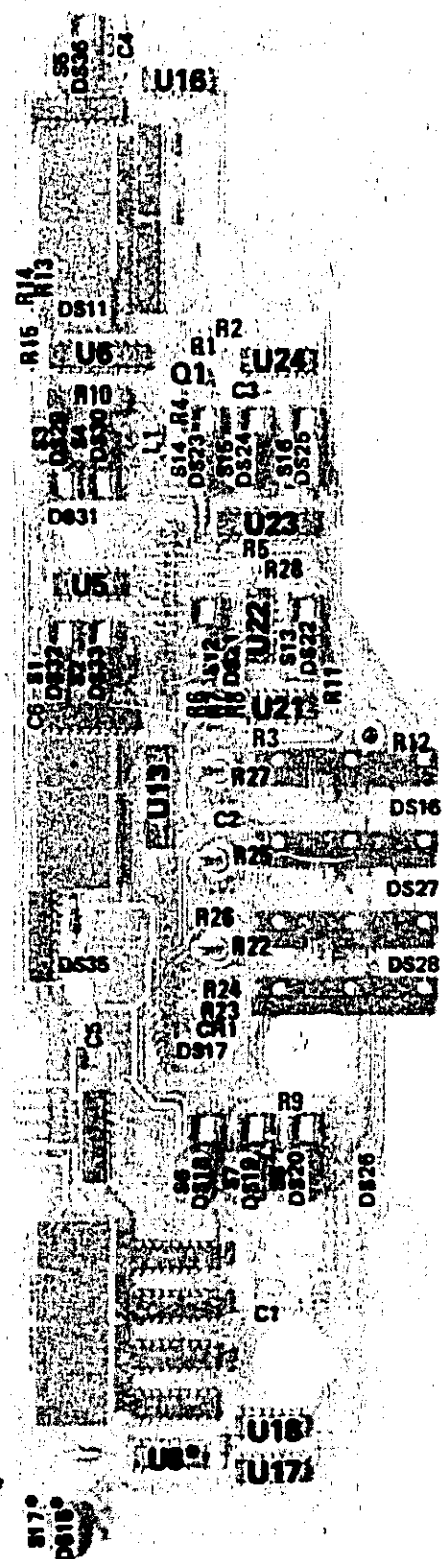
Page 8-42, Figure 8-25:

Change to Figure 8-25 Front Panel Component Locations (Part of Change 3) found in this supplement.

Page 8-43, Figure 8-27 (Service Sheet 3):

Change in the table of part numbers U2 through U4, U7, U14 and U15 to 1820-3395.
Change A1 Front Panel Assembly to 08684-60154. Change serial prefix to 2503A in lower left corner.
Change the schematic symbol for U2 through U4, U7, U14, and U15 to the symbol shown in this supplement.

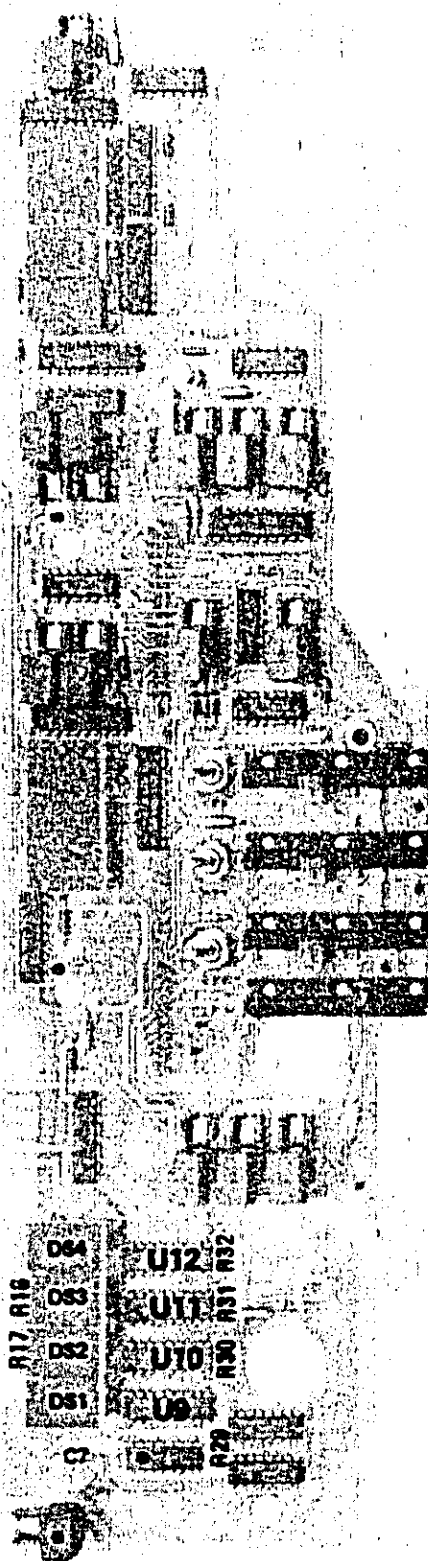
P/O A1 FRONT PANEL ASSEMBLY



*These components are loaded in 8683D and 8684D instruments only.

Figure 8-19 Front Panel Component Locations

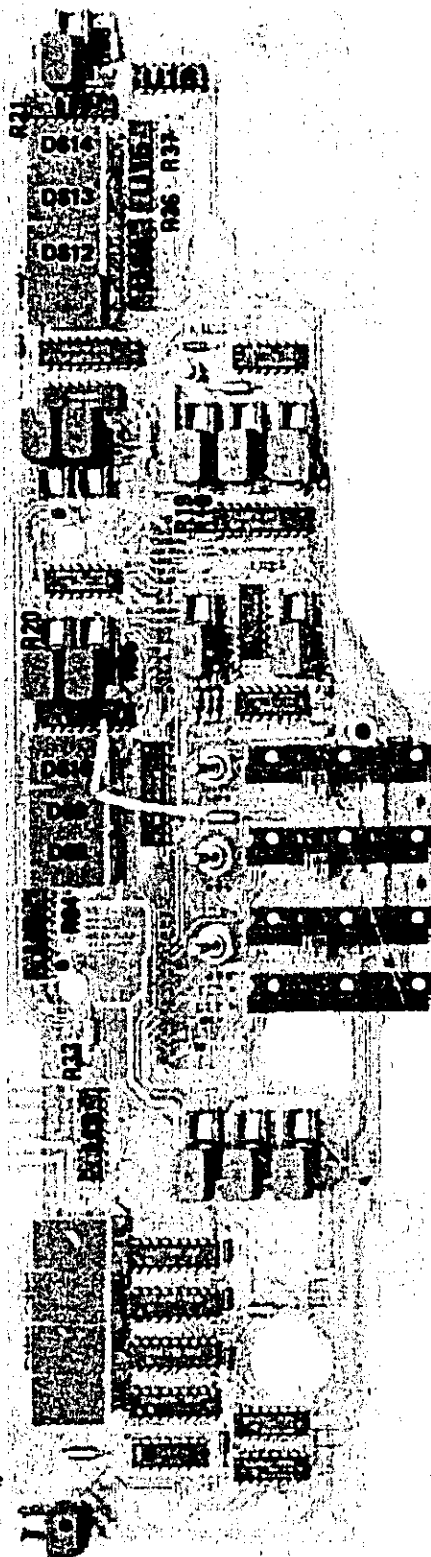
P/O A1 FRONT PANEL ASSEMBLY



*These components are loaded in 8683D and 8684D instruments only.

Figure 8-22. Front Panel Component Locations

P/O A1 FRONT PANEL ASSEMBLY



*These components are loaded in 8683D and 8684D instruments only.

Figure 8-25. Front Panel Component Locations

CHANGE 4

Page 6-45, Table 6-3:

Change the screws listed below MP53 to 0515-1232 CD5 SCREW-MACH M 3.5 x 0.6 8MM-LG PAN-HD.

Page 6-47, Table 6-3:

Change MP101 to 5041-6820 CD7 HANDLE CAP-REAR.

Below MP101, add 0515-1132 CD4 QTY2 SCREW-MACH M5 x 0.8 10MM-LG.

Change MP104 to 5061-9434 CD7 COVER-TOP.

Change MP105 to 5021-5804 CD3 FRAME-REAR.

Change MP107 to 5021-5836 CD1 STRUTS-CORNER and change the quantity (QTY) to 4.

Change the screws listed below MP107 to 0515-1331 CD5 SCREW-METRIC SPECIALTY M4 x 0.7 THD; 6 and change the quantity (QTY) to 16.

Change MP108 to 5021-5803 CD2 FRAME-FRONT.

Below MP109, add 2360-0190 CD5 QTY10 SCREW-MACH 6-32 .188-IN-LG 100 DEG.

Change MP111 to 5061-9446 CD1 COVER-BOTTOM.

Change MP114 to 5061-9689 CD4 HANDLE KIT-FRONT.

Change MP117 to 5041-6819 CD4 HANDLE CAP (FRONT).

Below MP117, add 0515-1132 CD4 QTY2 SCREW-MACH M5 x 0.8 100MM-LG.

Change MP119 to 5061-9771 CD5 RACK FLANGE KIT (OPTION 913)

CHANGE 5

Page 6-5, Table 6-3:

Delete A1CR1 and show as NOT ASSIGNED.

Page 6-7, Table 6-3:

Add A1W1 8159-0005 CD0 RESISTOR-ZERO OHMS 22 AWG LEAD DIA.

Page 6-10, Table 6-3:

Add A3E1 9170-0029 CD3 CORE-SHIELDING BEAD.

Page 8-38, Figure 8-19:

Change Reference Designator CR1 to W1.

Page 8-45, Figure 8-30:

Delete A1CR 1 and add A1W1 () in its place.

Page 8-46, Figure 8-32:

Add Reference Designator E1 directly under Reference Designator Q8.

Page 8-47, Figure 8-34:

Replace appropriate portion of Figure 8-34 with Figure 8-34A.

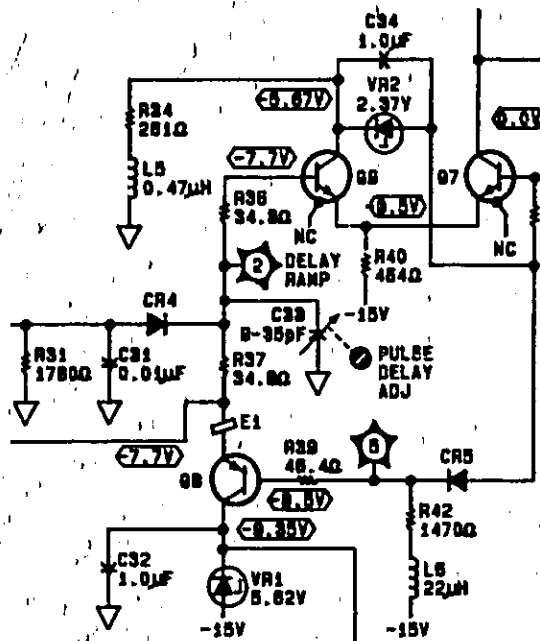


Figure 8-34A. P/O Pulse Delay Generator Schematic Diagram

CHANGE 6

Page 6-8, Table 6-3:

Change A2CR3 to 1910-0050 CD2 Diode-Switching.

Page 6-19, Table 6-3:

Change A6R24 to 0698-3152 CD8 RESISTOR 3.48K 1% .125W FTC=0±100.

Page 6-23, Table 6-3:

Change the HP Part Number and Mfr. Part Number for the I/O BOARD (A8) to 08684-60159.

Page 6-32, Table 6-3:

Change A11R41 to 2100-4090 CD2 RES-TRMR 1K 10%.

Page 6-40, Table 6-3:

W33. Add the following below W33:

08731-210 CD2 NUT-LOCK.

Page 6-44, Figure 6-3:

W33 RF Aux Output Cable. Replace lockwasher and hex nut, used to attach W33 to the rear panel, with locknut 08731-210.

Page 6-45, Table 6-3L

Change MP51 to 7100-1283 CD4 COVER-TRANS.

Page 8-53, Figure 8-43, (Service Sheet 8):

Change the value of A6R24 to 3.48 kΩ.

CHANGE 6 (cont'd)

Page 8-57, Figure 8-50 (Input/Output Schematic Diagram):

Change the part number on the upper left side of the schematic to 08684-60159.

Replace the "Integrated Circuit Voltage and Ground Connections" table with the following table:

| INTEGRATED CIRCUIT VOLTAGE AND GROUND CONNECTIONS | | |
|---|---------------|----|
| REFERENCE DESIGNATION | PIN NUMBER | |
| U3 | +15V | 16 |
| | ▽ | 3 |
| U4-6, 14, 15 | +5V | 20 |
| | ▽ | 10 |
| U7-10 | +15V | 13 |
| | ▽ | 14 |
| U12 | -15V | 3 |
| | +15V | 6 |
| | +5V | 7 |
| | -15V | 8 |

CHANGE 7 (cont'd)

Page 6-10, Table 6-3:

Delete A3CR2.

Page 6-11, Table 6-3:

Change A3R32 to 0698-0084 CD9 RESISTOR 2.15K 1% .125W TC±100

Change A3R33 to 0757-0317 CD7 RESISTOR 1.33K 1% .125W TC±100

Change A3R35 to 0757-0317 CD7 RESISTOR 1.33K 1% .125W TC±100

Page 6-12, Table 6-3:

Add A3R68 to 0698-3437 CD2 RESISTOR 133 1% .125W TC±100

Page 8-47, Figure 8-34:

Replace the appropriate portion of Figure 8-34 with Figure 8-34B.

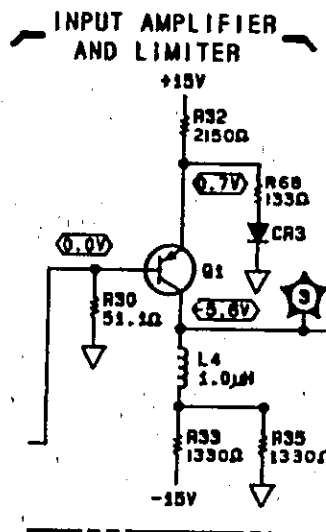


Figure 8-34B. Input Amplifier and Limiter

►CHANGE 8**Page 6-26, Table 6-3:**

Change the HP Part Number and Mfr. Part Number for the FM SHAPER BOARD (A10) to 08684-60158 CD3.
Change A10C16, A10C20, and A10C23 to 0160-4835 CD7 CAPACITOR-FXD .1 μ F \pm 10% 50 VDC CER.

Page 6-27, Table 6-3:

Change A10C38 and A10C48 to 0160-4835 CD7 CAPACITOR-FXD .1 μ F \pm 10% 50 VDC CER.
Add A10C50 0160-3761 CD6 CAPACITOR-FXD 820 PF \pm 10% 50 VDC CER.

Page 6-28, Table 6-3:

Delete A10Q19 and show as NOT ASSIGNED.
Add A10Q21 and A10Q22, 1854-0977 CD2 TRANSISTOR NPN SI DARL TO-92 PD=625 MW.

Page 6-29, Table 6-3:

Change A10R29 and A10R30 to 0698-3150 CD6 RESISTOR 2.37K 1% .125W F TC=0 \pm 100.

Page 6-30, Table 6-3:

Add A10R85 0698-3453 CD2 RESISTOR 196K 1% .125W F TC=0 \pm 100.
Add A10R86 and A10R87, 075-0443 CD0 RESISTOR 11K 1% .125W F TC=0 \pm 100.
Add A10R88 0698-7205 CD0 RESISTOR 51.1 1% .05W F TC=0 \pm 100.
Add A10R89 0698-3164 CD2 RESISTOR 712 1% .125W F TC=0 \pm 100.
Add A10R90 0698-7235 CD6 RESISTOR 909 1% .05W F TC=0 \pm 100.

Page 8-61, Figure 8-55:

Change to Figure 8-55 A10 FM Shaper Component Locations (Part of Change 8) found in this supplement.

Page 8-61, Figure 8-56 (Service Sheet 12):

Change A10 FM Shaper Assembly to 08684-60158.
Add a resistor, R85, 196 k Ω , from the connection of A10J3 and A10R2 to +5V.
Replace the appropriate portion of Figure 8-56 with Figure 8-56A.

A10 FM SHAPER COMPONENT LOCATIONS

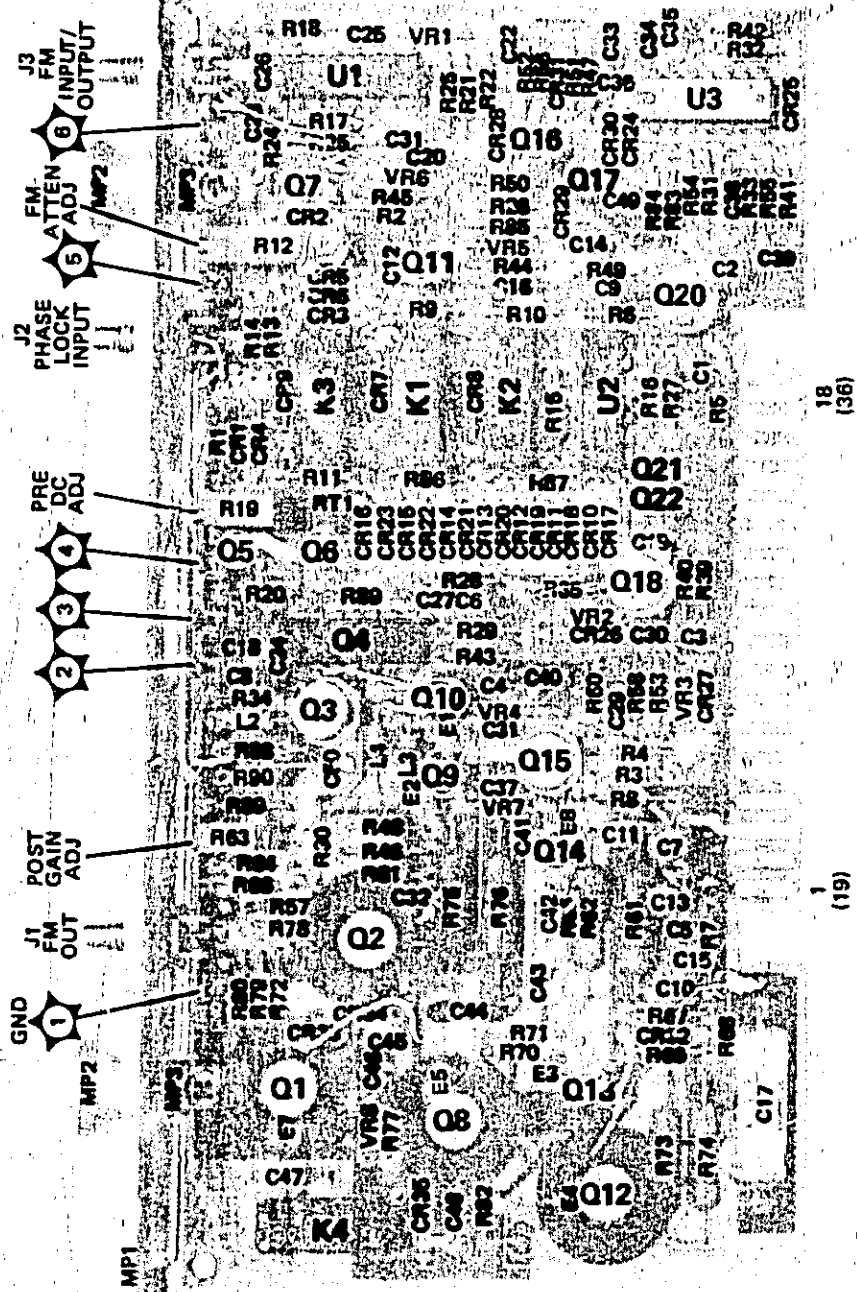


Figure 8-55. A10 FM Shaper Component Locations (Part of Change 8)

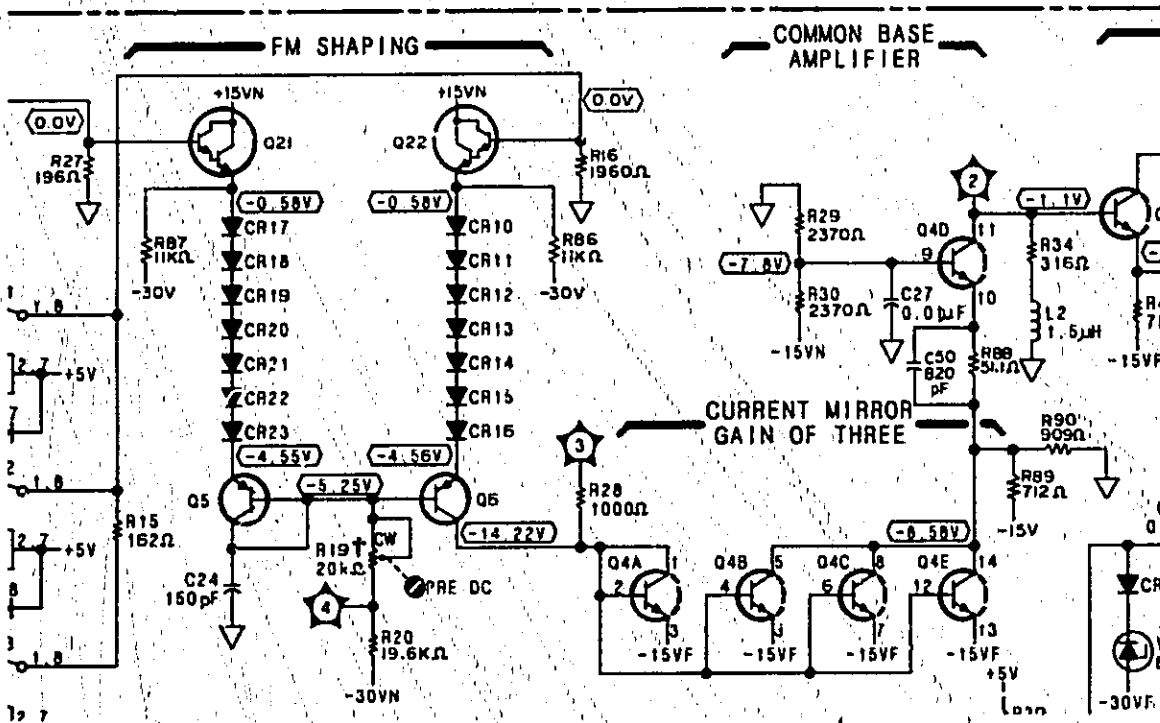


Figure 8-56A. P/O FM Shaper Schematic Diagram