

## Errata

**Title & Document Type:** 8484A Power Sensor Operating and Service Manual

**Manual Part Number:** 08484-90019

**Revision Date:** January 1, 1990

---

### HP References in this Manual

This manual may contain references to HP or Hewlett-Packard. Please note that Hewlett-Packard's former test and measurement, semiconductor products and chemical analysis businesses are now part of Agilent Technologies. We have made no changes to this manual copy. The HP XXXX referred to in this document is now the Agilent XXXX. For example, model number HP8648A is now model number Agilent 8648A.

### About this Manual

We've added this manual to the Agilent website in an effort to help you support your product. This manual provides the best information we could find. It may be incomplete or contain dated information, and the scan quality may not be ideal. If we find a better copy in the future, we will add it to the Agilent website.

### Support for Your Product

Agilent no longer sells or supports this product. You will find any other available product information on the Agilent Test & Measurement website:

[www.tm.agilent.com](http://www.tm.agilent.com)

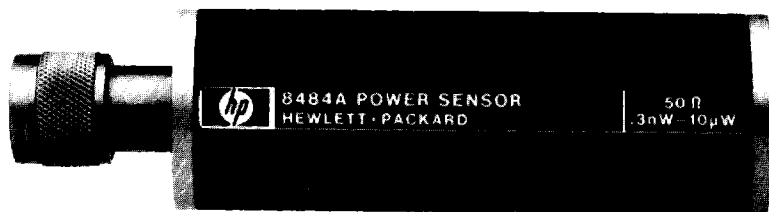
Search for the model number of this product, and the resulting product page will guide you to any available information. Our service centers may be able to perform calibration if no repair parts are needed, but no other support from Agilent is available.



*AVEW*

OPERATING AND SERVICE MANUAL

# HP 8484A POWER SENSOR



HP Part No. 08484-90019  
E0590



# HP 8484A POWER SENSOR

## SERIAL NUMBERS

This manual applies directly to instruments with serial numbers prefixed 2645A.

With the changes described in the Appendix, this manual also applies to instruments with serial numbers prefixed 1528A, 1635A, 1916A, 2046A, 2237A, 2349A, and 2634A.

For additional important information about serial numbers, see paragraph on INSTRUMENTS COVERED BY MANUAL.



**HEWLETT  
PACKARD**

© Copyright HEWLETT-PACKARD COMPANY 1975, 1978, 1980, 1990  
1501 PAGE MILL ROAD, PALO ALTO, CALIFORNIA, U.S.A.

MANUAL PART NO. 08484-90019  
Microfiche Part No. 08484-90020

## 1. GENERAL INFORMATION

2. This Operating and Service Manual contains information about initial inspection, performance tests, adjustments, operation, troubleshooting and repair of the Model 8484A Power Sensor.

3. On the title page of this manual is a "Microfiche" part number. This number can be used to order a 4 x 6-inch microfilm transparency of the manual.

## 4. Instruments Covered by Manual

5. This instrument has a two-part serial number. The first four digits and the letter comprise the serial number prefix. The last five digits form a sequential suffix which is unique to each instrument. The contents of this manual apply directly to instruments having the serial number prefix listed under SERIAL NUMBERS on the title page.

6. An instrument manufactured after the printing of this manual may have a serial prefix that is not listed on the title page. This unlisted serial prefix indicates that the manual for this instrument is supplied with a yellow Manual Changes supplement containing "change information" that documents the differences.

7. In addition to change information, the supplement may contain information for correcting errors in the manual. To keep this manual as current and accurate as possible, Hewlett-Packard recommends that you periodically request the latest Manual Changes supplement. The supplement is keyed to the manual print date and part number, both of which appear on the title page. Complimentary copies of the supplement are available on request from your nearest Hewlett-Packard office.

8. For information concerning a serial number prefix not listed on the title page or in the Manual Changes supplement, contact your nearest Hewlett-Packard office.

## 9. Description

10. The HP 8484A Power Sensor is used for measuring the average power supplied by an RF

source to a 50-ohm load. The Power Sensor is highly sensitive, capable of measuring power levels as low as 0.1 nanowatt (nW). In use, the Power Sensor is connected to the RF source and to a compatible power meter. (Suitable meters are the HP 435B, 436A, 437B, and 438A Power Meters.) The Power Sensor places a 50-ohm load on the RF source, and the power meter indicates the power dissipated in this load. The power is determined from the RF voltage developed across the Power Sensor load, and is expressed in nW (or  $\mu$ W) and dBm.

11. The Power Sensor measures power levels from -70 dBm to -20 dBm (0.1 nW to 10  $\mu$ W), at frequencies from 10 MHz to 18 GHz.

12. Calibration data is provided by a table on the Power Sensor. The table, individually prepared for each Power Sensor, shows the calibration factor (CAL FACTOR) at incremental frequencies. This calibration factor is used to adjust the power meter to suit the particular Power Sensor and RF frequency. In addition, a table showing the calibration factor to two significant digits is supplied with each Power Sensor.

13. Specifications for the Power Sensor are provided in Table 1.

## 14. Accessories Supplied

15. Included with the Power Sensor is the HP 11708A 30 dB Reference Attenuator (Figure 1). This is used to reduce the RF reference voltage applied by the power meter to the Power Sensor when calibrating the system before use. (The calibration procedure adjusts the power meter for the particular Power Sensor and for ambient temperature.) Because of the high sensitivity of the HP 8484A Power Sensor, the 50 MHz 1 mW reference input supplied by the power meter must be reduced to 1  $\mu$ W; the Reference Attenuator provides the means to accomplish this. Further, the Reference Attenuator is intended for use at only 50 MHz, the adjustment frequency, and should be used only for calibrating the power meter for a Power Sensor. The Reference Attenuator is a highly accurate device, intended only for this specific function.

Table 1. Specifications

**Frequency Range:** 10 MHz to 18 GHz.

**Power Measurement Range:** 100 pW to 10  $\mu$ W (−70 dBm to −20 dBm).

**Maximum Permissible RF Power, Average or Peak:** 200 mW.

**Maximum dc Voltage to RF Input:** 20V.

**Maximum SWR (Reflection Coefficient) of Power Sensor:**

1.40 (0.167) 10 MHz to 30 MHz	1.30 (0.130) 10 GHz to 15 GHz
1.15 (0.070) 30 MHz to 4 GHz	1.35 (0.150) 15 GHz to 18 GHz
1.20 (0.091) 4 GHz to 10 GHz	

**Maximum SWR (Reflection Coefficient) of HP 11708A 30 dB Reference Attenuator:** 1.05 (0.025) at 50 MHz\*.

**RF Impedance:** 50 ohms nominal.

**RF Connector:** Type N Male (meets military specifications).

**Calibration:** Individual calibration graph and table, traceable to NIST, provided with each Power Sensor. The HP 11708A 30 dB Reference Attenuator is manufactured to  $30 \pm 0.05$  dB\*, at 50 MHz and 25°C, traceable to NBS, with temperature coefficient typically 0.003 dB per degree C.

**Dimensions, including RF connector, excluding HP 11708A 30 dB Reference Attenuator:** 36 mm wide, 44 mm high, 133 mm long (1-7/16 x 1-3/4 x 5-1/4 in.) .

**Dimensions of HP 11708A 30 dB Reference Attenuator (including RF connector):** 20 mm diameter, 60 mm long (0.79 x 2.4 in.) .

**Weight (excluding HP 11708A 30 dB Reference Attenuator):** Net, 0.4 kg (13 oz.).

**Weight of HP 11708A 30 dB Reference Attenuator:** Net, 0.085 kg (3 oz.).

\*To verify the specifications of the HP 11708A 30 dB Reference Attenuator to  $\pm 0.073$  dB, the test system used must meet the following requirements:

- Attenuation resolution 0.003 dB.
- Substitution attenuator accuracy  $\pm 0.02$  dB.
- Source and load SWR  $< 1.02$ .

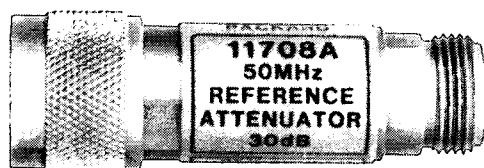


Figure 1. HP 11708A 30 dB Reference Attenuator

## 16. Options

17. Two options are available for the HP 8484A Power Sensor. The first, option 002, is a range knob (00435-60030) for the HP 435A Power Meter, permitting more convenient use of power meters which have serial prefix number 1527A and below. HP 435A Power Meters with a higher serial prefix number do not require Option 002. No other HP Power Meter requires Option 002.

18. The other option is Option 003. This deletes the HP 11708A 30 dB Reference Attenuator.

## 19. Recommended Test Equipment

20. Table 2 lists the test equipment recommended to check, adjust, and troubleshoot the Power Sensor. If substitute equipment is used, it must meet or exceed the critical specifications.

Table 2. Recommended Test Equipment

Instrument Type	Critical Specifications	Suggested Model	Use*
Digital Voltmeter	Volts: Range: 100 mVdc to 100 Vdc Input Impedance: 10 megohms Resolution: 4-digit Accuracy: $\pm 0.05\%$ $\pm 1$ digit Resistance: Range: 1 ohm to 100,000 ohms Accuracy: $\pm 5\%$	HP 3435A	T
Oscilloscope	Bandwidth: dc to 50 MHz Sensitivity: Vertical, 0.2 V/div Horizontal, 1 ms/div	HP 180C/1801A/1821A	A, T
10:1 Divider Probe	10 Megohms 10 pF	HP 10004D	A
DC Power Supply	Range: 0–20 Vdc Load Regulation: 0.01% + 4 mV	HP 6204B	T
*A = adjustment, T = Troubleshooting			

## 21. INSTALLATION

### 22. Initial Inspection

23. Inspect the shipping container. If the container or packing material is damaged it should be kept until the contents of the shipment have been checked mechanically and electrically. If there is mechanical damage or if the instrument does not pass the performance tests, notify the nearest Hewlett-Packard office. Keep the damaged shipping materials (if any) for inspection by the carrier and a Hewlett-Packard representative.

### 24. Storage and Shipment.

25. **Environment.** The instrument should be stored in a clean, dry environment. The following limitations apply to both storage and shipment:

- Temperature  $-40$  to  $+75^{\circ}\text{C}$
- Relative humidity, less than 95%
- Altitude, less than 7 600 metres (25 000 feet).

26. **Packaging.** The following instructions should be used for re-packaging with commercially available materials:

- Wrap the instrument in heavy paper or plastic. If shipping to a Hewlett-Packard office or service center, attach a tag indicating the type of

service required, return address, model number, and full serial number.

- Use a strong shipping container. A double-wall carton made of 200 pound test material is adequate.

- Use enough shock-absorbing material around all sides of the instrument to provide firm cushioning.

- Seal the shipping container securely.

- Conspicuously mark the shipping container FRAGILE on each side.

## 27. CONNECTIONS

28. Refer to the power meter operating and service manual for connection instructions.

## 29. OPERATION

### 30. Environment

31. The operating environment for the Power Sensor should be as follows:

- Temperature,  $0^{\circ}$  to  $55^{\circ}\text{C}$
- Relative humidity, less than 95%
- Altitude, less than 4 572 metres (15 000 feet)

32. The sensitivity of the diode detector in the power sensor is influenced by ambient temperature. This change has been compensated for, but at temperature extremes, the sensor should be recalibrated to obtain the most accurate results. Typical temperature sensitivity variations are shown in Figure 2.

33. To recalibrate the sensor, allow it to stabilize in the test thermal environment for approximately one hour (for a step change in temperature). Then recalibrate using the 11708A, the power meter's reference oscillator, and the CAL ADJ control. The sensor is properly calibrated when it will remain zeroed for 20 seconds.

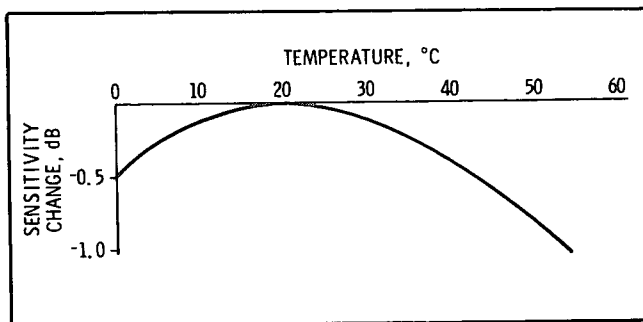


Figure 2. Typical Influence of Temperature on Sensitivity

**34. Operating Precautions**

35. Before the Power Sensor is connected, the following precautions must be observed.

**WARNING**

*BEFORE CONNECTING THE POWER SENSOR, ensure that the RF generator and power meter are properly connected to a protective (earth) ground. Otherwise, the operator could receive an electrical shock and the instruments could be damaged.*

**CAUTION**

*To prevent damage to the Power Sensor, no more than 20 Vdc may be applied between the center conductor of the RF connector and ground. (A blocking capacitor in the Power Sensor prevents the flow of dc current.)*

*Do not twist the body of the Power Sensor when connecting and disconnecting it. Twisting can cause major damage to the Power Sensor's circuits.*

36. When the power meter is being calibrated for use with the HP 8484A Power Sensor, the HP 11708A 30 dB Reference Attenuator must be used. It is installed on the Power Sensor RF connector, and the other end is installed on the POWER REF OUTPUT jack on the HP Power Meter. Calibration is then performed according to directions in the Power Meter manual.

37. It should be noted that the 11708A Reference Attenuator is a precise device, intended for use only at the 50 MHz calibration port provided by your Power Meter. Use for other purposes could degrade the attenuator as a reference.

**38. Operating Procedures**

39. Instructions for use of the Power Sensor are provided in the power meter manual. During operation, the precautions in paragraph 35 must be observed.

40. Table 3 shows the uncertainties in the calibration factor, traceable to the National Bureau of Standards (NBS). This information, when added to other sources of uncertainty, allows measurements to be defined in terms of primary standards. Do not make power readings below 0.1 nW; the noise level makes such readings unreliable.

Table 3. Uncertainty of 8484A Calibration Factor

Frequency (GHz)	Worst Case Uncertainty (%)	RSS Uncertainty (%)*
2.0	4.9	2.2
4.0	4.6	2.0
6.0	4.9	2.1
8.0	5.3	2.3
10.0	5.5	2.5
12.4	6.4	2.8
14.0	6.1	3.1
16.0	7.8	3.4
18.0	8.1	3.6

\*Square root of the sum of the squared individual uncertainties.

#### 41. SWR (REFLECTION COEFFICIENT) PERFORMANCE TEST

42. The maximum SWR and reflection coefficient for the Power Sensor are listed in Table 4. For making these measurements, use equipment which has measurement uncertainties not exceeding those shown in the table. During measurement, the RF power dissipated by the Power Sensor should not exceed -20 dBm (10 microwatts) at all frequencies.

#### 43. FET BALANCE ADJUSTMENT†

44. Capacitors A2C2 and A2C12 are marked with asterisks on the schematic diagram and in the parts list. The asterisk indicates that these are factory-selected components chosen to suit integrated circuit A2U1 in the Power Sensor. The nominal capacitance value is shown, but the actual value and part number may be different. Only one of the capacitors will typically be used or they both might be omitted.

##### NOTE

*The FET balance has been factory adjusted with a nominal power meter and may exceed the 0.8 Vp-p switching transient and the  $\pm 2.0$  mV Auto Zero signal when measured with another power meter. This adjustment should only be required if the A2U1 Assembly is changed or the associated wires are moved.*

45. Capacitors A2C2 and C12 control the dc voltage level at U1-pin 2. They also affect the balance of the sampling gate drive voltage, but only slightly.

46. The relative position of the wires which connect to pins G and H of connector J1 in the Power Sensor have the largest effect on the switching transients (voltage spikes). One wire is black on white and the other is brown on white. Care must be used not to displace these wires.

##### NOTE

*The position of the black and yellow on white (the output to the power meter) may also affect the voltage spike amplitude.*

47. To find the correct values for A2C2 and A2C12 and to find the correct position for the wires, perform the procedure found in the following paragraphs after connecting a DVM and oscilloscope to:

- a. test point A4TP4 in the HP 435-series power meters, or
- b. test point A1TPAC(3) in the HP 436A Power Meter.

##### NOTES

*No comparable test point exists in the HP 437B or 438A Power Meters.*

*A2U1 is light sensitive and should be covered while checking the dc voltage level.*

48. Press the auto zero switch; select A2C2 and/or C12 for a voltage between +6 and -2 mVdc. A higher value of C12 will cause the dc voltage to go more positive; a higher value of C2 will cause the voltage to go more negative.

49. Various values for A2C2 and C12 should be tried. The value should range from no capacitance to a maximum value of 10 pF. Solder the capacitor in place only after a suitable value has been found. (Refer to paragraph 73 for special soldering instructions.)

50. Monitor the voltage transient spikes with an oscilloscope. Position the wires mentioned in paragraph 46 to reduce the voltage spikes to less than 0.8 Vp-p.

Table 4. SWR and Reflection Coefficient

Frequency	Measuring System Reflection Coefficient Uncertainty	Actual Measurement	Maximum SWR (Reflection Coefficient)
10 MHz to 30 MHz	$\pm 0.015$	_____	1.40 (0.167)
30 MHz to 4 GHz	$\pm 0.015$	_____	1.15 (0.070)
4 GHz to 10 GHz	$\pm 0.025$	_____	1.20 (0.091)
10 GHz to 15 GHz	$\pm 0.035$	_____	1.30 (0.130)
15 GHz to 18 GHz	$\pm 0.035$	_____	1.35 (0.150)

†Refer to the Appendix for backdating information.



## 51. REPLACEABLE PARTS

52. Table 5 is a list of replaceable parts. Figure 3 illustrates the major parts. To order a part, quote the Hewlett-Packard part number, specify the quantity required, and address the order to the nearest Hewlett-Packard office. To order a part not listed in Table 5, give the instrument model number, instrument serial number, the description and function of the part, and the quantity of parts required.

## 53. SERVICE

54. Test equipment which meets or exceeds the critical specifications in Table 2 may be used in place of the recommended instruments for troubleshooting the Power Sensor.

55. Figure 4 shows the locations of the assemblies and components. Figure 5 is the schematic diagram.

Table 5. Replaceable Parts

Reference Designation	HP Part Number	C D	Qty	Description	Mfr Code	Manufacturer Part Number
A1	08484-60008	0	1	BULKHEAD ASSEMBLY, REPLACEMENT	28480	08484-60008
A2	08484-60031	9	1	BD AY-POWER SNSR	28480	08484-60031
A2C1	0180-0679	1	1	CAP-FXD 8.2uF 15 V TA	04222	TMZG825K015RBSZ0065
A2C2*	0160-2247	1	1	CAP-FXD 3.9pF 500 V	52763	2RDPLX0503R9NP0
A2C3	0160-4306	7	1	CAP-FXD 100pF 100 V		0805C101K3T
A2C4	0160-4306	7	1	CAP-FXD 100pF 100 V		0805C101K3T
A2C5§	0180-0642	8	1	CAP-FXD 15uF 20 V TA		202L2002-156M4
A2C6	0160-3094	8	1	CAP-FXD 0.1uF 100 V	04222	SR301C104KAAH
A2C7	0160-3879	7	1	CAP-FXD 0.01uF 100 V	04222	SR201C103MAAH
A2C8	0160-4306	7	1	CAP-FXD 100pF 100 V		0805C101K3T
A2C9	0160-4306	7	1	CAP-FXD 100pF 100 V		0805C101K3T
A2C10	0180-0678	0	1	CAP-FXD 220uF 3 V TA	04222	MMJ-003-227R-20/SPEC.
A2C11	0180-0594	9	1	CAP-FXD 3.3uF 15 V TA		202L1602-335-M4
A2C12*§	0160-2247	1	1	CAP-FXD 3.9pF 500 V	52763	2RDPLX0503R9NP0
A2C13*§	0160-0576	5	1	CAP-FXD 0.1uF 50 V	04222	SR205C104MAAH
A2CR1	1901-0518	8	1	DIODE-SCHOTTKY SM SIG	28480	5082-5509
A2Q1	1854-0610	0	1	TRANSISTOR NPN SI TO-46 FT=800MHZ	04713	
A2R1	0698-7239	0	1	RESISTOR 1.33K +-1% .05W TF TC=0+-100	2M627	CRB20
A2R2	0698-7273	2	1	RESISTOR 34.8K +-1% .05W TF TC=0+-100	2M627	CRB20
A2R3	0698-7196	8	1	RESISTOR 21.5 +-1% .05W TF TC=0+-100	2M627	CRB20
A2R4	0698-7224	3	1	RESISTOR 316 +-1% .05W TF TC=0+-100	2M627	CRB20
A2R5	0698-8616	9	1	RESISTOR 8.46K +-1% .05W TF TC=0+-100	2M627	CRB20
A2R6	0698-8617	0	1	RESISTOR 5.31K +-1% .05W TF TC=0+-100	2M627	CRB20
A2R7	0698-8618	1	1	RESISTOR 4.12K +-1% .05W TF TC=0+-100	2M627	CRB20
A2U1	1813-0060	8	1	IC MISC TO-8 PKG		
CHASSIS MISCELLANEOUS PARTS						
J1§	08481-60024	7	1		28480	08481-60024
MP1	08484-20015	5	1	HOUSING	28480	08484-20015
MP2	08481-20011	8	1	CHASSIS	28480	08481-20011
MP3	08481-20011	8	1	CHASSIS	28480	08481-20011
MP4	08484-20016	6	1	FLANGE, FRONT, OUTER	28480	08484-20016
MP5	08484-20018	8	1	FLANGE, REAR, OUTER	28480	08484-20018
MP6	08484-20019	9	1	RING LOCK	28480	08484-20019
MP7	08484-20020	2	1	FLANGE, REAR, INNER	28480	08484-20020
MP8	1251-3363	8	1	NUT-AUDIO CONN		91-T-1335-6-9
MP9	3030-0436	4	1	SCREW-SKT HD CAP 0-80 .5-IN-LG SST-300	13689	
MP10§	1460-1978	0	1	SPRING-CPRSN .088-IN-OD .188-IN-OA-LG	84830	C1-012B-2-SS
MP11	5040-6939	7	1	CLAMP	28480	5040-6939
MP12	5040-6940	0	1	BLOCK	28480	5040-6940
MP13, 14	3030-0312	5	2	SCREW-SET 2-56 .25-IN-LG CUP-PT SST	13689	ORDER BY DESCRIPTION
MP15-22	0520-0166	3	8	SCREW-MACH 2-56 .375-IN-LG 82 DEG		ORDER BY DESCRIPTION
MP23-27	3030-0436	4	5	SCREW-SKT HD CAP 0-80 .5-IN-LG SST-300	13689	ORDER BY DESCRIPTION
MP28-31	2190-0572	6	4	WASHER-LK HLCL NO. 0 .062-IN-ID .1-IN-OD	51721	ORDER BY DESCRIPTION
MP32-39	3030-0954	1	8	SCREW-SKT HD CAP 0-80 .188-IN-LG SST-304	26304	TP31CR00J3PS
MP40	4208-0096	0	1	FOAM-POLYU .125-IN-THK .312-IN-WD	22491	4208-0096
MP41	00435-60030	3	1	KNOB ASSEMBLY-RANGE (OPT 002 ONLY)	28480	00435-60030
MP42	08484-80003	7	2	LABEL-SIDE	28480	08484-80004
MP43	08484-80004	8	1	LABEL-ID	28480	08484-80004
MP44	08484-80005	9	1	LABEL-CAL-BLANK	28480	08484-80005
MP45	08484-80006	0	1	TAPE-MYLAR	28480	08484-80006
R1	0698-7260	7	1	RESISTOR 10K +-1% .05W TF TC=0+-100	2M627	CRB20

See Introduction to this section for ordering information

\*Indicates factory selected component

§Refer to the Appendix for backdating information

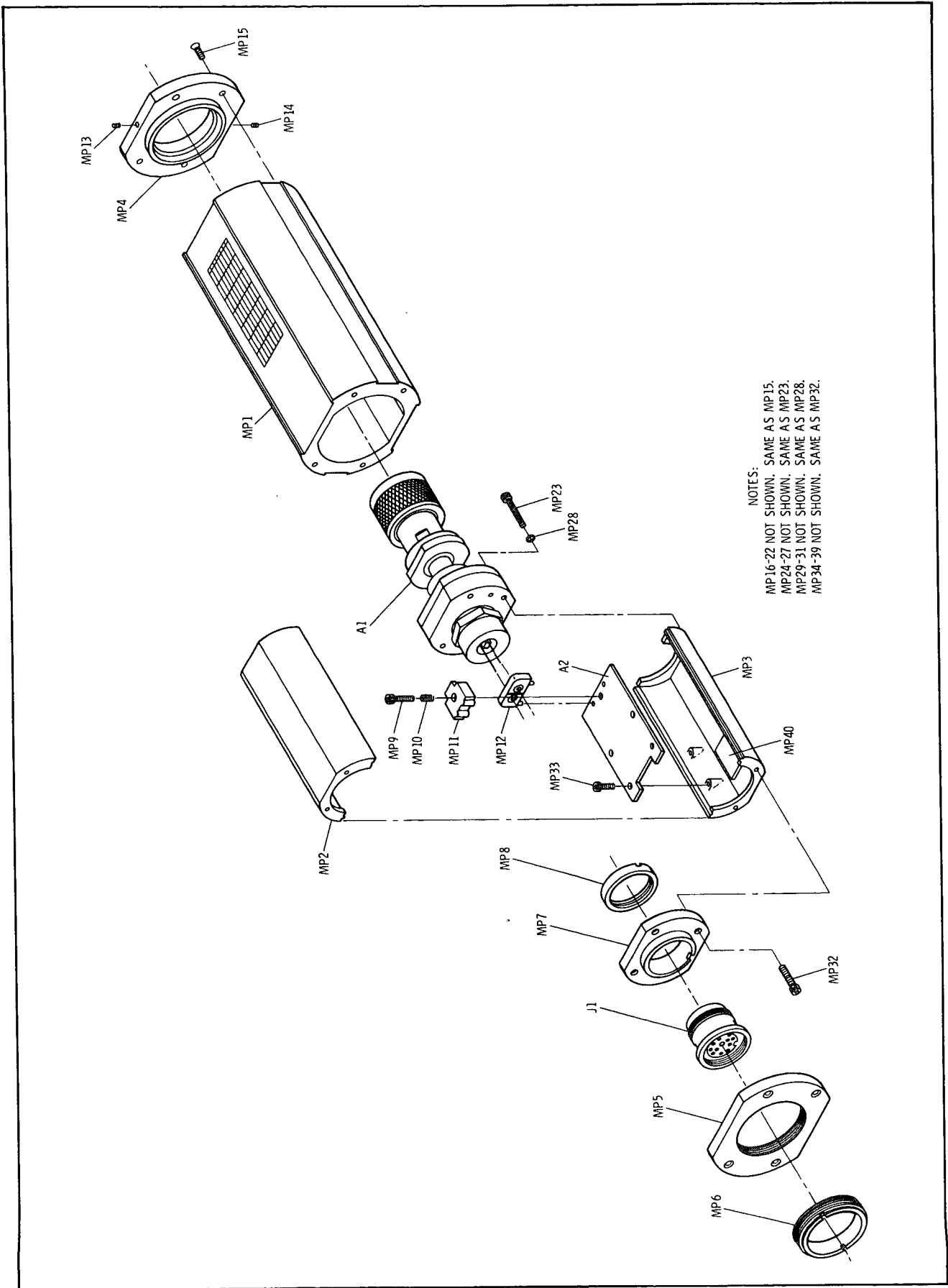
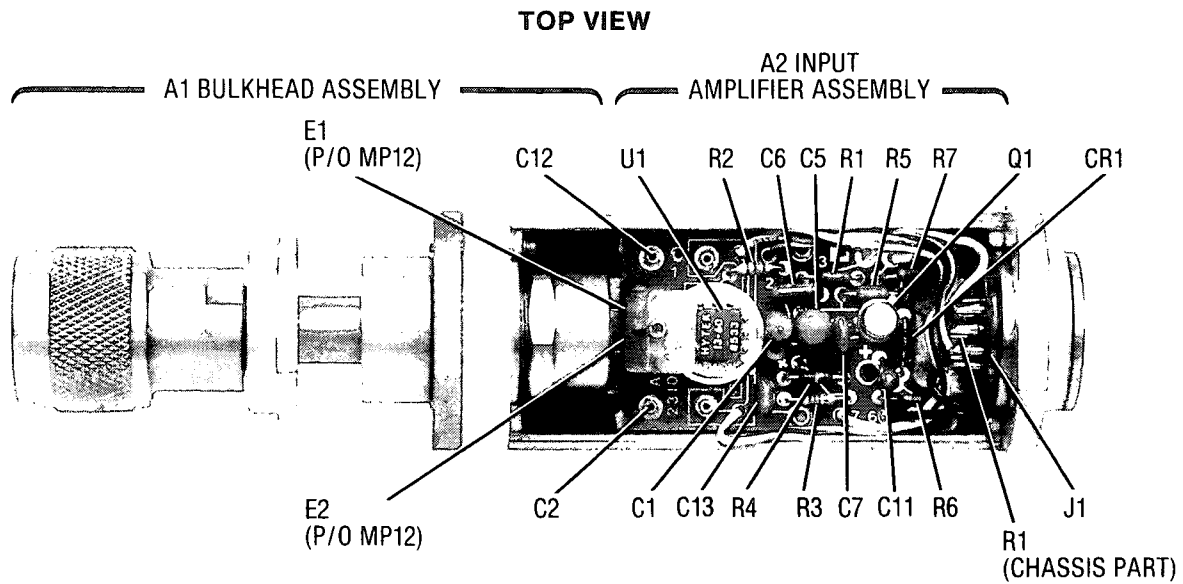
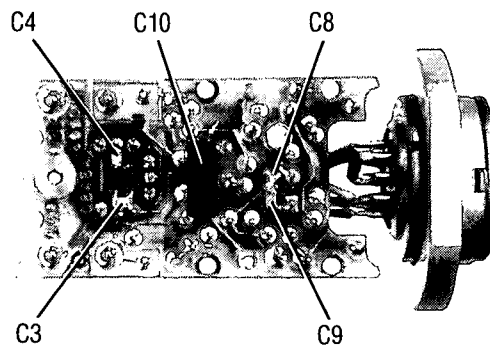


Figure 3. Illustrated Parts Breakdown



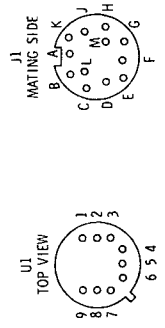
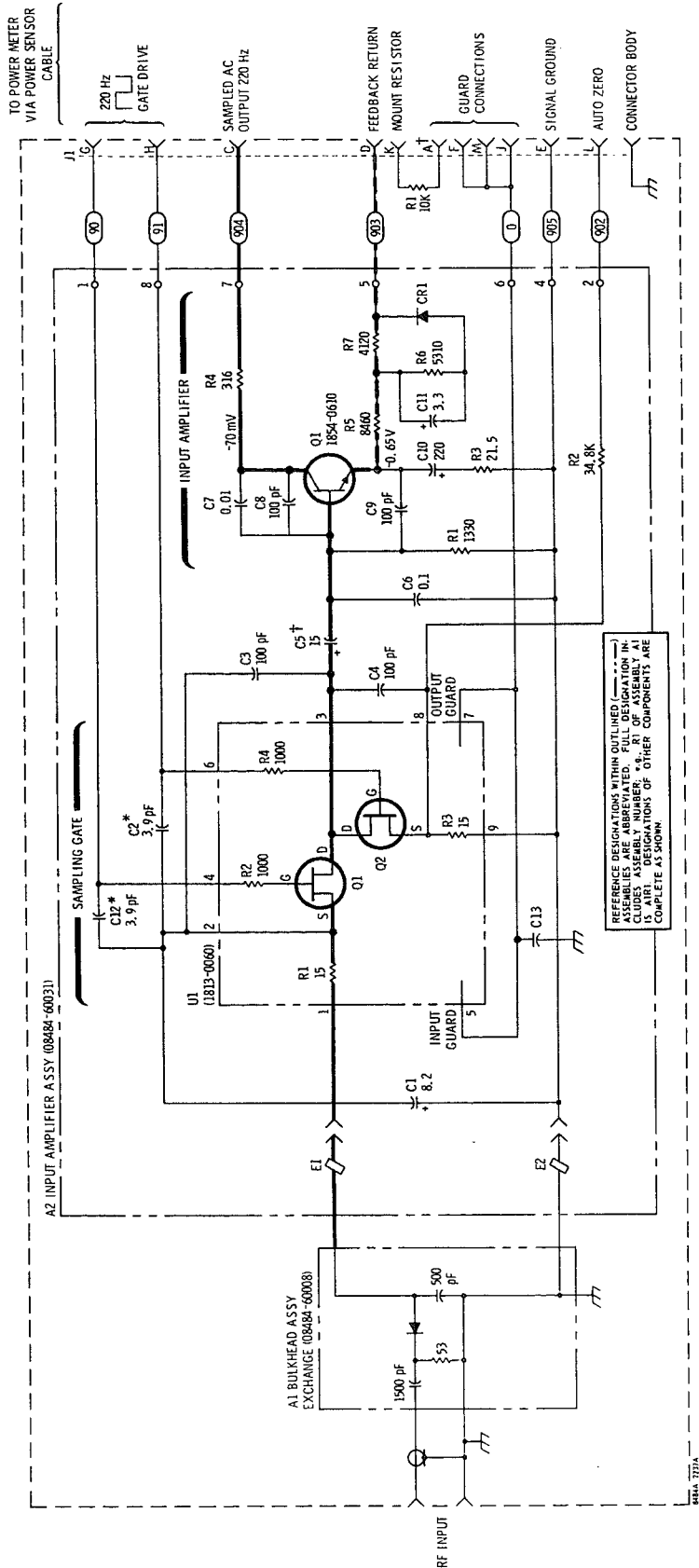
**BOTTOM VIEW**  
A2 INPUT AMPLIFIER ASSEMBLY



**NOTES:**

1. In the bottom view, capacitor A2C10 has been turned upright on its leads to reveal other components.
2. Only one of the capacitors, A2C2 or A2C12, will typically be loaded or both might be omitted.

**Figure 4. Component and Assembly Locations**



REFERENCE DESIGNATIONS	
NO PREFIX	A2
J1	C1-C12
R1	CR1
	Q1
AZU1	R1-R7
Q1-Q2	U1
R1-R4	

- NOTES:
- UNLESS OTHERWISE INDICATED, RESISTANCE IN OHMS; CAPACITANCE IN MICROFARADS.
  - A1 BULKHEAD ASSEMBLY IS NOT REPAIRABLE.
- \* VALUE SELECTED IN TEST.  
SEE PARAGRAPH 43.
- † SEE BACKDATING INFORMATION IN APPENDIX

CAUTION: DO NOT FORCE LARGE-DIAMETER TEST PRODS INTO THE PIN RECEPTACES OF J1. THIS MAY PERMANENTLY DEFORM THE RECEPTACES.

Figure 5. HP Model 8484A Schematic Diagram

Table 6. Manufacturer's Code List

Mfr. No.	Manufacturer Name	Address	Zip Code
00000	ANY SATISFACTORY SUPPLIER		
24546	CORNING GLASS WORKS (BRADFORD)	BRADFORD PA	16701
25088	SIEMENS CORP	ISELIN NJ	08830
28480	HEWLETT-PACKARD CO CORPORATE HQ	PALO ALTO CA	94304
51959	VICLAN INC	SAN DIEGO CA	92138
56289	SPRAGUE ELECTRIC CO	NORTH ADAMS MA	01247

## 56. Principles of Operation

57. Bulkhead assembly A1 presents a 50-ohm load to the RF signal applied to the Power Sensor. A diode in the bulkhead assembly rectifies the applied RF to produce a dc voltage which varies with the square of the RF voltage across the 50-ohm load. Thus, the dc voltage varies with the RF power dissipated in the load. With maximum measureable RF input power (10  $\mu$ W), the dc voltage is approximately  $-5$  mV.

58. Components A2E1 and A2E2 are ferrite beads situated in the black plastic block through which the wires from A1 pass to A2. Each ferrite bead increases the self-inductance of the wire passing through the bead, causing this portion of wire to act as an RF choke. The result is to minimize rf feedthrough to the A2 input amplifier assembly.

59. The dc output from the bulkhead assembly is applied to the two field-effect transistors (FET's) in A2U1. These transistors function as a sampling gate (or chopper). The sampling rate is controlled by a 220 Hz square wave supplied by the power meter. The sampling gate output (at pin 3 of A2U1) is a 220 Hz square wave having a voltage proportional to the RF power input.

60. The output of A2U1 is amplified about 1700 times by an operational amplifier made up of A2Q1 and the first amplifier stage in the power meter. Figure 6 is a simplified diagram of the complete operational amplifier.

61. Resistors A2R5, A2R6, and A2R7 together with capacitor A2C11 and diode A2CR1, make up a shaping network. This network brings about a linear change in the amplitude of the square wave output as RF input power changes. A shaping network in the power meter (Figure 6) produces the same effect when a power sensor of the thermocouple type is used. (HP Model 8481A, 8482A,

and 8483A Power Sensors are thermocouple devices.) Because the HP 8484A Power Sensor uses a diode detector, an additional network is required in the Power Sensor to compensate for the characteristics of the thermocouple-type shaping network in the power meter.

62. The Auto Zero Signal is a dc voltage which corrects the output of A2U1 to compensate for changes in dc offset voltages in the Power Sensor. The dc level of the Auto Zero signal ranges from approximately  $-14$  mVdc to approximately  $+14$  mVdc. Resistor A2R2 increases the effective impedance of the Auto Zero signal source, resulting in a relatively-unchanging current source. By this means, the current through A2U1R3 resulting from the Auto Zero signal is made independent of thermal EMF's produced in the auto zero circuit.

63. When the Power Sensor is used with the HP 436A, 437B, or 438A Power Meters, the resistance of R1 indicates the type of power sensor in use. As a result, the power meter automatically selects the proper measurement range. The 10,000 ohms resistance of R1 causes selection of the  $-70$  to  $-20$  dBm range. With the 435B Power Meter, R1 serves no function.

## 64. Troubleshooting

### NOTE

*If A2 Input Amplifier is found to be faulty, replacing it as a unit may be more economical than further troubleshooting and repair.*

65. The troubleshooting information which follows is intended to isolate a problem to a stage. The defective component can then be identified by voltage and resistance checks. The field-effect transistors (FET's) in A2U1 are slightly light sensitive. As a result, dc levels are shifted slightly when the FET's are exposed.

66. The A1 bulkhead assembly supplies approximately  $-5\text{ mV}$  when the RF input is  $10\text{ }\mu\text{W}$ . This dc voltage will vary somewhat if the A2 input amplifier is inoperative, or if the bulkhead assembly is disconnected from the input amplifier. The A1 bulkhead assembly is not a repairable item, and the entire unit should be replaced if defective.

67. The FET's in A2U1 may be checked by the following procedure:

- a. Disconnect the cables from the Power Sensor.
- b. Remove the upper chassis from the Power Sensor. (Refer to disassembly procedures, paragraph 76.)
- c. Measure the resistance between pins 1 and 2 of the A2U1. The resistance should be  $15 \pm 0.75$  ohms. The same resistance should be found between pins 8 and 9 of A2U1.

d. Short pins E, G and H of J1. While the pins are shorted, measure the resistance between pins 2 and 3, and between pins 3 and 8, of A2U1. The resistance should be less than 40 ohms.

e. Set a power supply to 10 Vdc.

f. Connect the positive side of the power source to the Power Sensor signal ground. Connect the negative power supply lead to pins 4 and 6 of A2U1.

g. Measure the resistance between pins 2 and 3 of A2U1. Also measure the resistance between pins 3 and 8 of A2U1. In both cases, the resistance should be several hundred times the resistance found in step d.

68. The 220 Hz drive from the power meter should have the following levels:

- a.  $-0.05 \pm 0.05\text{ Vdc}$  (top of square wave).
- b.  $> -9\text{ Vdc}$  (bottom of square wave).

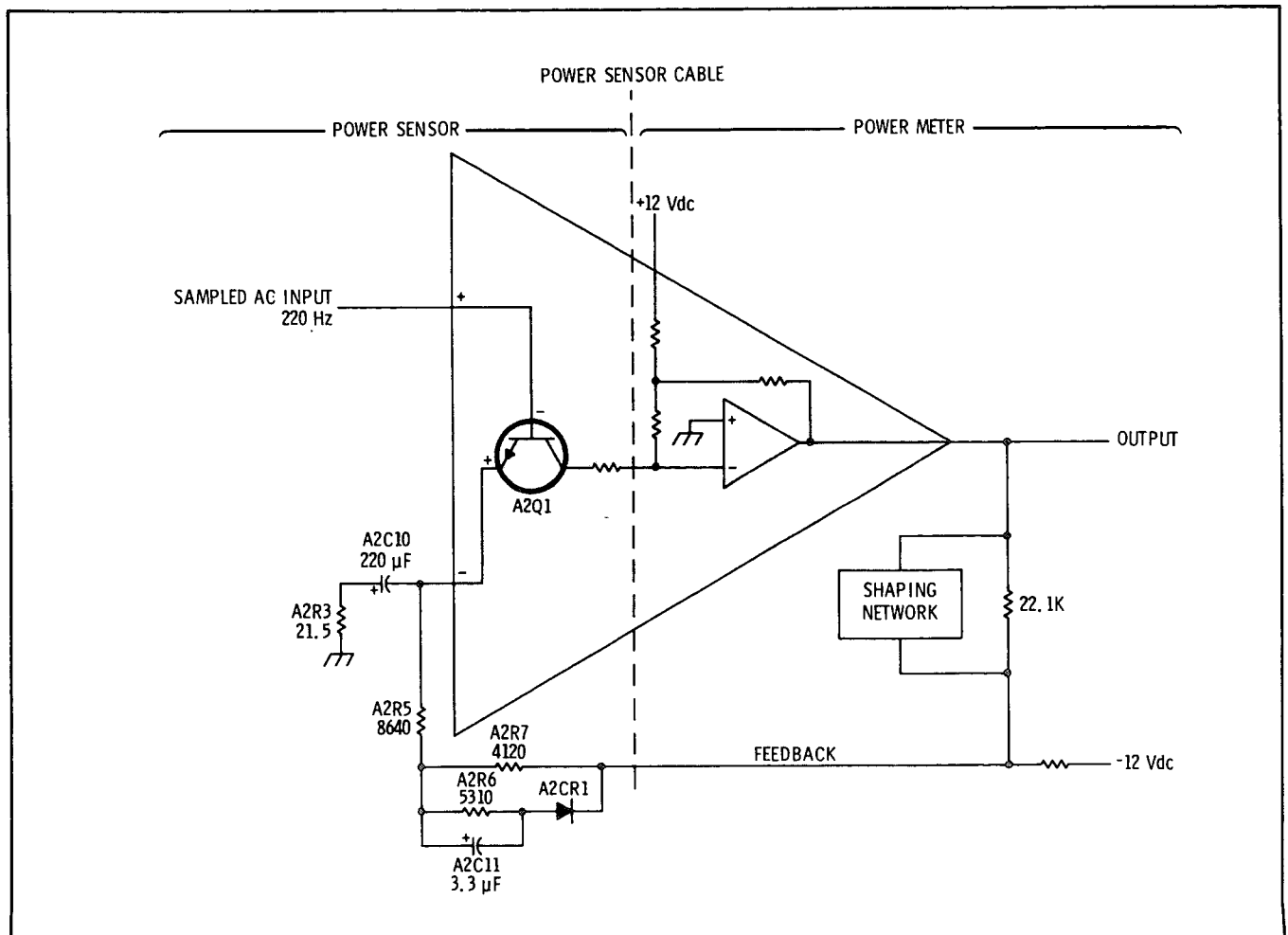


Figure 6. Operational Amplifier

69. In most cases it may be assumed that the operational amplifier (made up of A2Q1 and the first amplifier is the power meter) is operating correctly if the dc voltage on the metal cover of A2Q1 (collector) is  $-70 \pm 30$  mVdc. If the 8484A seems noisy, the most likely source is the transistor A2Q1.

## 70. REPAIR

### 71. Cleanliness

72. Do not handle the A2 input amplifier circuit board more than necessary. Dirt or moisture from the hands may make the circuits inoperative. Do not use solder-flux remover on the circuit board. It is particularly important to keep the area around A2U1 clean.

### 73. Soldering Techniques

74. The HP 8484A Power Sensor is a high-sensitivity device, and is affected by very small differences in temperature between its components. Therefore, after the performance of any soldering in the unit, *several hours* must be allowed for the unit to reach thermal equilibrium before it is used or tested.

75. Capacitors A2C3, A2C4, A2C8, and A2C9 (Figure 4) require low-temperature soldering techniques. The connections to these capacitors are a gold film deposited on a ceramic base. Molten solder results in the gold forming an amalgam with the solder, and the consequent removal of the gold from its ceramic base. Soldering must be done quickly, and a low-temperature soldering iron and solder must be used. The capacitors must be discarded if unsoldered. If integrated circuit A2U1 or transistor A2Q1 is replaced, two of these capacitors must be removed, and therefore must be replaced with new ones. The required low-temperature soldering iron and solder are as follows:

- a. Hexacon Thermo-O-Trac soldering iron with J206X tip, temperature  $600^{\circ}$  F ( $311^{\circ}$  C).
- b. Low-temperature solder SN 62.

### 76. Disassembly Procedures

#### CAUTION

*Disassembly must be performed in the sequence described below, otherwise damage may be caused to the two gold wires between the A1 bulkhead assembly*

*and the A2 input amplifier assembly. If these wires are damaged, the A1 bulkhead assembly must be returned to the factory for repair.*

*Each Power Sensor has an individually prepared graph on housing 08484-20015. If more than one Power Sensor is disassembled, be sure to use the proper housing for each when they are reassembled.*

77. Disassembly of the HP 8484A Power Sensor requires the following steps, described in detail in the next paragraph.

- a. Remove housing 08484-20015 and front flange 08484-20016.
- b. Remove chassis 08481-20001 (upper).
- c. Remove A1 bulkhead assembly.
- d. Remove chassis 08481-20001 (lower).

78. In detail, the steps above are performed as follows. (Refer to Figure 7.)

- a. Loosen setscrews 19 and 20; use a 4-spline socket drive. (Tool part No. HP 8710-0055.) Remove screws 1, 2, 3, and 4, extract housing 08484-20015, and remove front flange 08484-60016.

- b. Position the Power Sensor with the slot in J1 downward. Then remove screws 5 and 6. Also, remove the corresponding screws 17 and 18 at the other end of the Power Sensor. Loosen screws 13 and 14; then lift the chassis upward for removal.

- c. To remove A1 bulkhead assembly, extract screw 7 to remove clamp and spring releasing the gold wires. Then extract screws 8, 9 and 10, and slide the A1 bulkhead assembly straight out.

- d. To remove A2 input amplifier assembly, together with connector J1, extract screws 11 through 16.

### 79. Reassembly Procedures

- a. If capacitor A2C10 (beneath the A2 circuit board) has been turned upright on its leads,



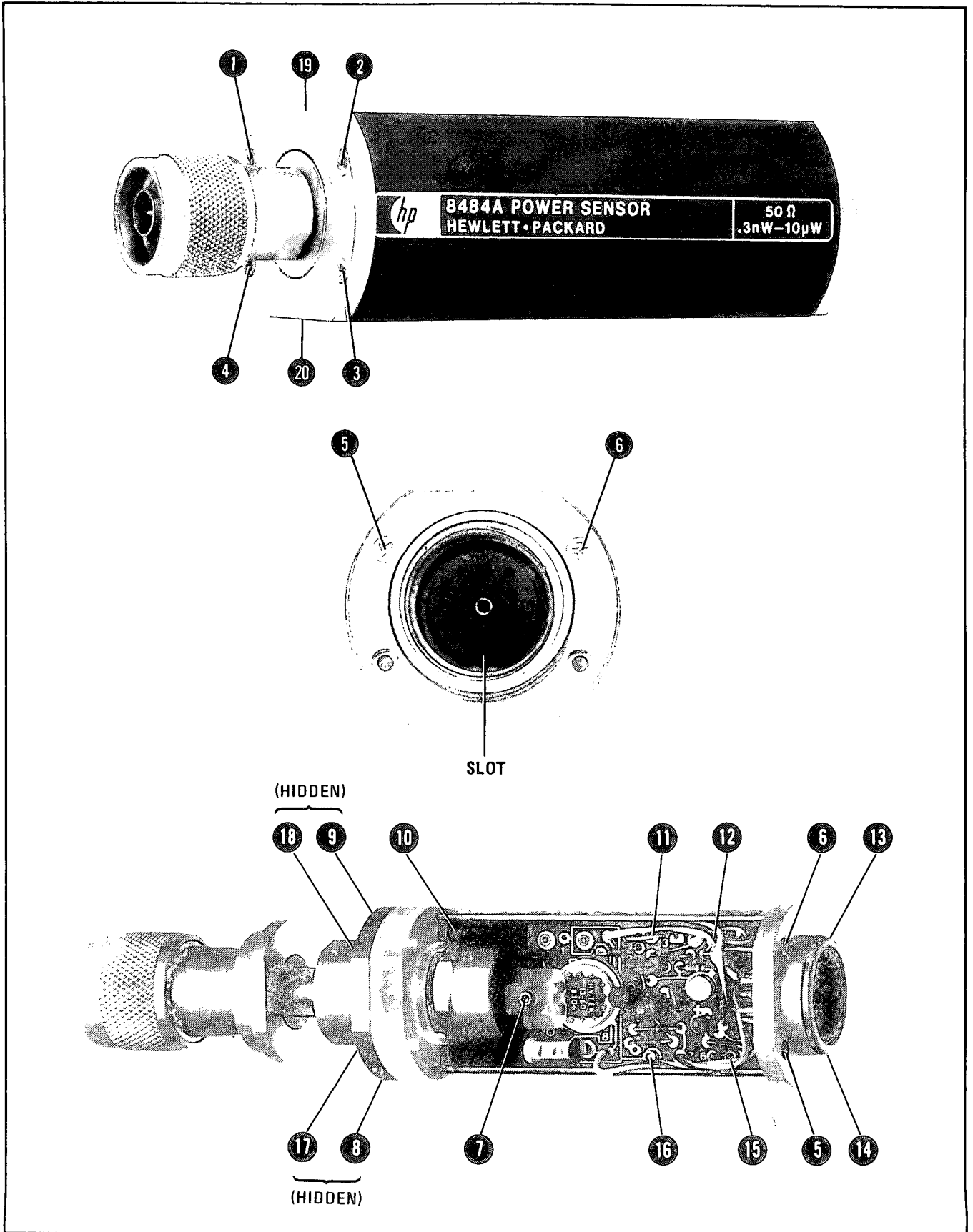


Figure 7. Power Sensor Disassembly and Assembly

bend the leads to place the capacitor back in position. The capacitor must be swung toward connector J1; this will place the capacitor over the pad in lower chassis 08481-20001.

b. Place A2 Input Amplifier Assembly, with J1, in lower chassis 08481-20001. The four screw holes in the circuit board must be positioned over the threaded holes in the chassis.

c. Insert, but do not tighten, screws 11 through 16. Refer to Figure 7.

d. Center the circuit board so there is an equal space between it and the chassis on both sides. Tighten screws 11, 12, 15, and 16.

e. Carefully insert the gold leads on A1 bulkhead assembly through the holes in the black plastic guide on A2 input amplifier.

f. Insert screws 8, 9, and 10. Tighten only screw 10.

g. Position the ends of the gold wires over the pads on A2U1. The wires should not pass over

the hole in the pad. Lightly clamp the leads in place with screw 7.

**CAUTION**

*DO NOT fully compress the spring with screw 7, or the A2U1 Assembly may be damaged.*

h. Place upper chassis 08481-2001 in position.

i. Insert, but do not tighten, screws 17, 18, 5, and 6.

j. Tighten screws 8, 9, 17, and 18.

k. Tighten screws 5, 6, 13, and 14.

l. Insert the assembled unit in housing 08484-20015. Place front flange 08484-60016 on housing.

m. Install, but do not tighten, screws 1, 2, 3, and 4.

n. Loosen lock ring 08484-20019.

o. Tighten screws 1, 2, 3, and 4.

p. Tighten lock ring 08484-20019, and setscrews 19 and 20.

## Manual Changes Appendix (Backdating)

This appendix contains information for adapting this manual to previous versions of the HP 8484A Power Sensor.

### How to use this appendix.

If the serial prefix of your HP 8484A is 2634A or below, this section applies to you. Find the serial prefix that applies to your instrument and make the changes.

#### Note



The color of the HP 8484A housing used to be black. Now it is French Grey. The serial number prefix was not changed. Mounting hardware (screws and washers) were changed. The direct preferred replacements are listed in Table 5, "Replaceable Parts".

#### 2634A

The labels changed. No manual change is necessary. The ID label in the list of replaceable parts is the preferred replacement.

#### 2349A

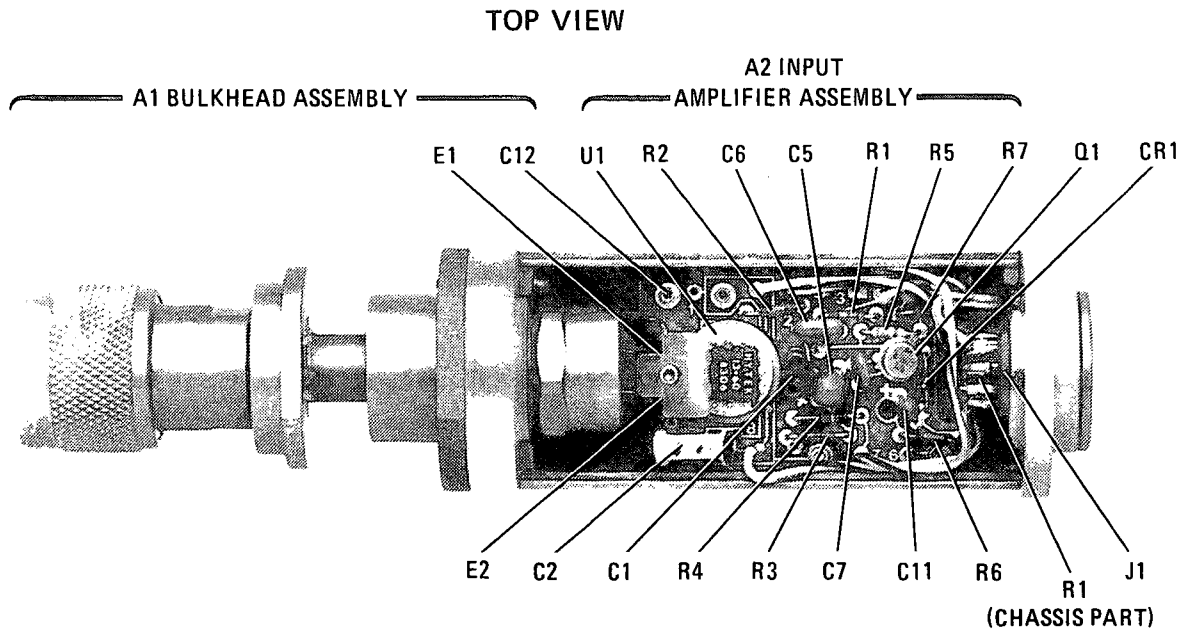
1. A1 Bulkhead assembly part number changed. The previous number was 08484-60005. The direct preferred replacement is listed in Table 5 Replaceable Parts.
2. The change listed for 2634A apply.

#### 2237A

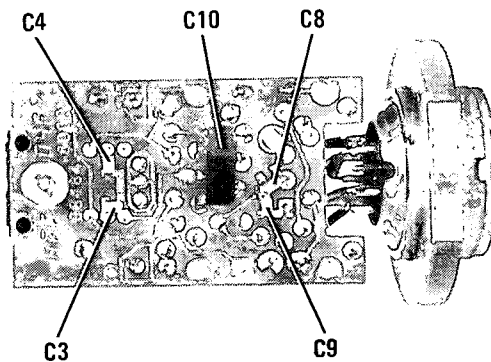
1. Sensors with serial number prefix with 2237A and below have a different A2 Input Amplifier Assembly: 08484-60001. Delete A2C13 from Figure 5 schematic. Replace Figure 4 Component Locations with the figure in this appendix. The A2 assembly in the list of replaceable parts is the direct preferred replacement.
2. J1 connector (5180-2702) for this serial prefix is different from any other. On Figure 5 schematic add a line connecting pin A with pin F. If servicing a Sensor with serial number prefix of 2237A, we recommend removing the wire connecting pin A to F. The preferred direct replacement is listed in the material list.
3. The changes listed for 2349A, and 2634A apply to this serial prefix.

#### 2046A

1. Change 2 (J1 connector) listed for serial prefix 2237A does not apply. In Power Sensors with 2046A prefix and below, Pin A did not exist. Delete Pin A from J1 in Figure 5, Schematic.
2. The part number for J1 was originally 1251-5759. The preferred direct replacement is listed in the parts list.
3. MP10 was originally 1460-1224. The preferred direct replacement is listed in the parts list.
4. Changes listed for 2237A (other than J1), 2349A and 2634A apply to this serial prefix.



**BOTTOM VIEW**  
A2 INPUT AMPLIFIER ASSEMBLY



**NOTES:**

1. In the bottom view, capacitor A2C10 has been turned upright on its leads to reveal other components.
2. Only one of the capacitors, A2C2 or A2C12, will typically be loaded or both might be omitted.

**Figure 4. Component and Assembly Locations (2349A and below)**

**1916A**

1. Sensors with serial prefix 1916A and below did not have A2C12. Delete all references A2C12. A2 Input Amplifier in the replaceable parts list is the direct and preferred replacement.
2. The changes listed for 2046A, 2237A (other than J1) 2349A, and 2634A apply.

**1635A**

1. Change the specification table to read as follows:

*Maximum SWR (Reflection Coefficient) of Power Sensor:*

1.40 (0.167) 10 to 30 MHz  
 1.15 (0.070) 30 MHz to 4 GHz  
 1.20 (0.091) 4 to 10 GHz  
 1.30 (0.130) 10 to 18 GHz

2. Replace Table 4 SWR and Reflection Coefficient, with the following:

**Table 4. Power Sensor Reflection Coefficient**

Frequency	System Rho Uncertainty	Actual Measurement	Maximum SWR (Rho)
10 Mhz to 30 MHz	±0.015	_____	1.40 (0.167)
30 MHz to 4 GHz	±0.015	_____	1.15 (0.070)
4 to 10 GHz	±0.025	_____	1.20 (0.091)
10 to 18 GHz	±0.035	_____	1.30 (0.130)

3. The changes listed for 1916A, 2046A, 2237A (other than J1) 2349A, and 2634A apply.

**1528A**

1. A2C5 (originally 0180-0679) was an 8.2 $\mu$ F capacitor, however the part listed in the replaceable parts list is the preferred direct replacement.
2. Delete 1251-3172 under A2 Miscellaneous in the replaceable parts list.
3. The changes listed for 1635A, 1916A, 2046A, 2237A (other than J1) 2349A, and 2634A apply.

## CERTIFICATION

Hewlett-Packard Company certifies that this product met its published specifications at the time of shipment from the factory. Hewlett-Packard further certifies that its calibration measurements are traceable to the United States National Institute of Standards and Technology, (NIST), to the extent allowed by the Institute's calibration facility, and to the calibration facilities of other International Standards Organization members.

## WARRANTY

This Hewlett-Packard instrument product is warranted against defects in material and workmanship for a period of one year from date of shipment. During the warranty period, Hewlett-Packard Company will, at its option, either repair or replace products which prove to be defective.

For warranty service or repair, this product must be returned to a service facility designated by HP. Buyer shall prepay shipping charges to HP and HP shall pay shipping charges to return the product to Buyer. However, Buyer shall pay all shipping charges, duties, and taxes for products returned to HP from another country.

HP warrants that its software and firmware designated by HP for use with an instrument will execute its programming instructions when properly installed on that instrument. HP does not warrant that the operation of the instrument, or software, or firmware will be uninterrupted or error free.

## LIMITATION OF WARRANTY

The foregoing warranty shall not apply to defects resulting from improper or inadequate maintenance by Buyer, Buyer-supplied software or interfacing, unauthorized modification or misuse, operation outside of the environmental specifications for the product, or improper site preparation or maintenance.

NO OTHER WARRANTY IS EXPRESSED OR IMPLIED. HP SPECIFICALLY DISCLAIMS THE IMPLIED WARRANTIES OF MERCHANTABILITY AND FITNESS FOR A PARTICULAR PURPOSE.

## EXCLUSIVE REMEDIES

THE REMEDIES PROVIDED HEREIN ARE BUYER'S SOLE AND EXCLUSIVE REMEDIES. HP SHALL NOT BE LIABLE FOR ANY DIRECT, INDIRECT, SPECIAL, INCIDENTAL, OR CONSEQUENTIAL DAMAGES, WHETHER BASED ON CONTRACT, TORT, OR ANY OTHER LEGAL THEORY.

## ASSISTANCE

Product maintenance agreements and other customer assistance agreements are available for Hewlett-Packard products.

## HEWLETT-PACKARD SERVICE OFFICES

To obtain servicing information, contact the nearest Hewlett-Packard Sales and Service Office in the HP Catalog, or contact the nearest regional office listed below.

### UNITED STATES

NO. CALIFORNIA (San Francisco Area)  
333 Logue Ave.  
Mt. View, CA 94043  
SO. CALIFORNIA (Los Angeles Area)  
5400 West Rosecrans Blvd.  
Lawndale, CA 90260

### GEORGIA

450 Interstate N. Parkway  
Atlanta, GA 30348

### ILLINOIS

5201 Tollview Dr.  
Rolling Meadows, IL 60008

### NEW JERSEY

W. 120 Century Rd.  
Paramus, NJ 07652

### AUSTRALIA

Hewlett-Packard Australia Ltd.  
31-41 Joseph Street  
Blackburn, Victoria 3130

### CANADA

Hewlett-Packard (Canada) Ltd.  
6877 Goreway Drive  
Mississauga, Ontario  
Canada L4V 1M8

### ITALY

Hewlett-Packard Italiana S.p.A.  
Via G. Di Vittorio, 9  
20063 Crnusco  
Sul Naviglio (MI)

### FRANCE

Hewlett-Packard France  
Quartier de Courtaboeuf  
Boite Postale No. 6  
F-91401 Orsay Cedex

### GERMAN FEDERAL REPUBLIC

Hewlett-Packard GmbH  
Vertriebszentrale Frankfurt  
Bernerstrasse 117  
Postfach 560 140  
D-6000 Frankfurt 56

### NETHERLANDS

Hewlett-Packard Benlux N.V.  
Van Heuven Doedhartlaan 121  
P.O. Box 667  
NL-Amstelveen 1134

### UNITED KINGDOM

Hewlett-Packard Ltd.  
King Street Lane  
GB-Winnersh, Wokingham  
Bers, RG11 5AR

### AFRICA, ASIA, CENTRAL AND SOUTH AMERICA

Hewlett-Packard Intercontinental  
3200 Hillview Avenue  
Palo Alto, CA 94304



Copyright © 1990  
Hewlett-Packard  
Printed in USA 05/90

**Manufacturing  
Part No.  
08484-90019**





Operating  
and  
Service  
Manual

HP 8484A  
Power Sensor

---



AVEW

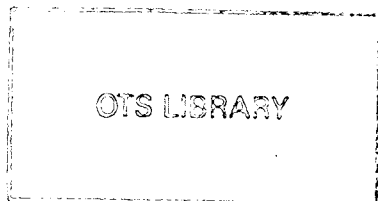
# HP 8484A POWER SENSOR

## SERIAL NUMBERS

This manual applies directly to instruments with serial numbers prefixed 2645A.

With the changes described in the Appendix, this manual also applies to instruments with serial numbers prefixed 1528A, 1635A, 1916A, 2046A, 2237A, 2349A, and 2634A.

For additional important information about serial numbers, see paragraph on INSTRUMENTS COVERED BY MANUAL.



©Copyright HEWLETT-PACKARD COMPANY 1975, 1978, 1980, 1990  
1501 PAGE MILL ROAD, PALO ALTO, CALIFORNIA, U.S.A.

MANUAL PART NO. 08484-90019  
Microfiche Part No. 08484-90020



## 1. GENERAL INFORMATION

2. This Operating and Service Manual contains information about initial inspection, performance tests, adjustments, operation, troubleshooting and repair of the Model 8484A Power Sensor.

3. On the title page of this manual is a "Microfiche" part number. This number can be used to order a 4 x 6-inch microfilm transparency of the manual.

## 4. Instruments Covered by Manual

5. This instrument has a two-part serial number. The first four digits and the letter comprise the serial number prefix. The last five digits form a sequential suffix which is unique to each instrument. The contents of this manual apply directly to instruments having the serial number prefix listed under SERIAL NUMBERS on the title page.

6. An instrument manufactured after the printing of this manual may have a serial prefix that is not listed on the title page. This unlisted serial prefix indicates that the manual for this instrument is supplied with a yellow Manual Changes supplement containing "change information" that documents the differences.

7. In addition to change information, the supplement may contain information for correcting errors in the manual. To keep this manual as current and accurate as possible, Hewlett-Packard recommends that you periodically request the latest Manual Changes supplement. The supplement is keyed to the manual print date and part number, both of which appear on the title page. Complimentary copies of the supplement are available on request from your nearest Hewlett-Packard office.

8. For information concerning a serial number prefix not listed on the title page or in the Manual Changes supplement, contact your nearest Hewlett-Packard office.

## 9. Description

10. The HP 8484A Power Sensor is used for measuring the average power supplied by an RF

source to a 50-ohm load. The Power Sensor is highly sensitive, capable of measuring power levels as low as 0.1 nanowatt (nW). In use, the Power Sensor is connected to the RF source and to a compatible power meter. (Suitable meters are the HP 435B, 436A, 437B, and 438A Power Meters.) The Power Sensor places a 50-ohm load on the RF source, and the power meter indicates the power dissipated in this load. The power is determined from the RF voltage developed across the Power Sensor load, and is expressed in nW (or  $\mu$ W) and dBm.

11. The Power Sensor measures power levels from -70 dBm to -20 dBm (0.1 nW to 10  $\mu$ W), at frequencies from 10 MHz to 18 GHz.

12. Calibration data is provided by a table on the Power Sensor. The table, individually prepared for each Power Sensor, shows the calibration factor (CAL FACTOR) at incremental frequencies. This calibration factor is used to adjust the power meter to suit the particular Power Sensor and RF frequency. In addition, a table showing the calibration factor to two significant digits is supplied with each Power Sensor.

13. Specifications for the Power Sensor are provided in Table 1.

## 14. Accessories Supplied

15. Included with the Power Sensor is the HP 11708A 30 dB Reference Attenuator (Figure 1). This is used to reduce the RF reference voltage applied by the power meter to the Power Sensor when calibrating the system before use. (The calibration procedure adjusts the power meter for the particular Power Sensor and for ambient temperature.) Because of the high sensitivity of the HP 8484A Power Sensor, the 50 MHz 1 mW reference input supplied by the power meter must be reduced to 1  $\mu$ W; the Reference Attenuator provides the means to accomplish this. Further, the Reference Attenuator is intended for use at only 50 MHz, the adjustment frequency, and should be used only for calibrating the power meter for a Power Sensor. The Reference Attenuator is a highly accurate device, intended only for this specific function.

**Table 1. Specifications**

<b>Frequency Range:</b> 10 MHz to 18 GHz.	
<b>Power Measurement Range:</b> 100 pW to 10 μW (−70 dBm to −20 dBm).	
<b>Maximum Permissible RF Power, Average or Peak:</b> 200 mW.	
<b>Maximum dc Voltage to RF Input:</b> 20V.	
<b>Maximum SWR (Reflection Coefficient) of Power Sensor:</b>	
1.40 (0.167) 10 MHz to 30 MHz	1.30 (0.130) 10 GHz to 15 GHz
1.15 (0.070) 30 MHz to 4 GHz	1.35 (0.150) 15 GHz to 18 GHz
1.20 (0.091) 4 GHz to 10 GHz	
<b>Maximum SWR (Reflection Coefficient) of HP 11708A 30 dB Reference Attenuator:</b> 1.05 (0.025) at 50 MHz*.	
<b>RF Impedance:</b> 50 ohms nominal.	
<b>RF Connector:</b> Type N Male (meets military specifications).	
<b>Calibration:</b> Individual calibration graph and table, traceable to NIST, provided with each Power Sensor. The HP 11708A 30 dB Reference Attenuator is manufactured to $30 \pm 0.05$ dB*, at 50 MHz and 25°C, traceable to NBS, with temperature coefficient typically 0.003 dB per degree C.	
<b>Dimensions, including RF connector, excluding HP 11708A 30 dB Reference Attenuator:</b> 36 mm wide, 44 mm high, 133 mm long (1-7/16 x 1-3/4 x 5-1/4 in.) .	
<b>Dimensions of HP 11708A 30 dB Reference Attenuator (including RF connector):</b> 20 mm diameter, 60 mm long (0.79 x 2.4 in.) .	
<b>Weight (excluding HP 11708A 30 dB Reference Attenuator):</b> Net, 0.4 kg (13 oz.).	
<b>Weight of HP 11708A 30 dB Reference Attenuator:</b> Net, 0.085 kg (3 oz.).	
*To verify the specifications of the HP 11708A 30 dB Reference Attenuator to $\pm 0.073$ dB, the test system used must meet the following requirements:	
a.	Attenuation resolution 0.003 dB.
b.	Substitution attenuator accuracy $\pm 0.02$ dB.
c.	Source and load SWR <1.02.



**Figure 1. HP 11708A 30 dB Reference Attenuator**

**16. Options**

17. Two options are available for the HP 8484A Power Sensor. The first, option 002, is a range knob (00435-60030) for the HP 435A Power Meter, permitting more convenient use of power meters which have serial prefix number 1527A and below. HP 435A Power Meters with a higher serial prefix number do not require Option 002. No other HP Power Meter requires Option 002.

18. The other option is Option 003. This deletes the HP 11708A 30 dB Reference Attenuator.

**19. Recommended Test Equipment**

20. Table 2 lists the test equipment recommended to check, adjust, and troubleshoot the Power Sensor. If substitute equipment is used, it must meet or exceed the critical specifications.

Table 2. Recommended Test Equipment

Instrument Type	Critical Specifications	Suggested Model	Use*
Digital Voltmeter	Volts: Range: 100 mVdc to 100 Vdc Input Impedance: 10 megohms Resolution: 4-digit Accuracy: $\pm 0.05\%$ $\pm 1$ digit Resistance: Range: 1 ohm to 100,000 ohms Accuracy: $\pm 5\%$	HP 3435A	T
Oscilloscope	Bandwidth: dc to 50 MHz Sensitivity: Vertical, 0.2 V/div Horizontal, 1 ms/div	HP 180C/1801A/1821A	A, T
10:1 Divider Probe	10 Megohms 10 pF	HP 10004D	A
DC Power Supply	Range: 0–20 Vdc Load Regulation: 0.01% + 4 mV	HP 6204B	T
*A = adjustment, T = Troubleshooting			

## 21. INSTALLATION

### 22. Initial Inspection

23. Inspect the shipping container. If the container or packing material is damaged it should be kept until the contents of the shipment have been checked mechanically and electrically. If there is mechanical damage or if the instrument does not pass the performance tests, notify the nearest Hewlett-Packard office. Keep the damaged shipping materials (if any) for inspection by the carrier and a Hewlett-Packard representative.

### 24. Storage and Shipment.

25. Environment. The instrument should be stored in a clean, dry environment. The following limitations apply to both storage and shipment:

- a. Temperature  $-40$  to  $+75^{\circ}\text{C}$
- b. Relative humidity, less than 95%
- c. Altitude, less than 7 600 metres (25 000 feet).

26. Packaging. The following instructions should be used for re-packaging with commercially available materials:

- a. Wrap the instrument in heavy paper or plastic. If shipping to a Hewlett-Packard office or service center, attach a tag indicating the type of

service required, return address, model number, and full serial number.

- b. Use a strong shipping container. A double-wall carton made of 200 pound test material is adequate.

- c. Use enough shock-absorbing material around all sides of the instrument to provide firm cushioning.

- d. Seal the shipping container securely.

- e. Conspicuously mark the shipping container FRAGILE on each side.

## 27. CONNECTIONS

28. Refer to the power meter operating and service manual for connection instructions.

## 29. OPERATION

### 30. Environment

31. The operating environment for the Power Sensor should be as follows:

- a. Temperature,  $0^{\circ}$  to  $55^{\circ}\text{C}$
- b. Relative humidity, less than 95%
- c. Altitude, less than 4 572 metres (15 000 feet)

32. The sensitivity of the diode detector in the power sensor is influenced by ambient temperature. This change has been compensated for, but at temperature extremes, the sensor should be recalibrated to obtain the most accurate results. Typical temperature sensitivity variations are shown in Figure 2.

33. To recalibrate the sensor, allow it to stabilize in the test thermal environment for approximately one hour (for a step change in temperature). Then recalibrate using the 11708A, the power meter's reference oscillator, and the CAL ADJ control. The sensor is properly calibrated when it will remain zeroed for 20 seconds.

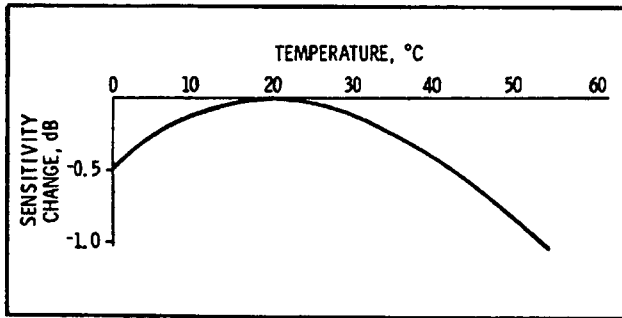


Figure 2. Typical Influence of Temperature on Sensitivity

**34. Operating Precautions**

35. Before the Power Sensor is connected, the following precautions must be observed.

**WARNING**

*BEFORE CONNECTING THE POWER SENSOR, ensure that the RF generator and power meter are properly connected to a protective (earth) ground. Otherwise, the operator could receive an electrical shock and the instruments could be damaged.*

**CAUTION**

*To prevent damage to the Power Sensor, no more than 20 Vdc may be applied between the center conductor of the RF connector and ground. (A blocking capacitor in the Power Sensor prevents the flow of dc current.)*

*Do not twist the body of the Power Sensor when connecting and disconnecting it. Twisting can cause major damage to the Power Sensor's circuits.*

36. When the power meter is being calibrated for use with the HP 8484A Power Sensor, the HP 11708A 30 dB Reference Attenuator must be used. It is installed on the Power Sensor RF connector, and the other end is installed on the POWER REF OUTPUT jack on the HP Power Meter. Calibration is then performed according to directions in the Power Meter manual.

37. It should be noted that the 11708A Reference Attenuator is a precise device, intended for use only at the 50 MHz calibration port provided by your Power Meter. Use for other purposes could degrade the attenuator as a reference.

**38. Operating Procedures**

39. Instructions for use of the Power Sensor are provided in the power meter manual. During operation, the precautions in paragraph 35 must be observed.

40. Table 3 shows the uncertainties in the calibration factor, traceable to the National Bureau of Standards (NBS). This information, when added to other sources of uncertainty, allows measurements to be defined in terms of primary standards. Do not make power readings below 0.1 nW; the noise level makes such readings unreliable.

Table 3. Uncertainty of 8484A Calibration Factor

Frequency (GHz)	Worst Case Uncertainty (%)	RSS Uncertainty (%)*
2.0	4.9	2.2
4.0	4.6	2.0
6.0	4.9	2.1
8.0	5.3	2.3
10.0	5.5	2.5
12.4	6.4	2.8
14.0	6.1	3.1
16.0	7.8	3.4
18.0	8.1	3.6

\*Square root of the sum of the squared individual uncertainties.

#### 41. SWR (REFLECTION COEFFICIENT) PERFORMANCE TEST

42. The maximum SWR and reflection coefficient for the Power Sensor are listed in Table 4. For making these measurements, use equipment which has measurement uncertainties not exceeding those shown in the table. During measurement, the RF power dissipated by the Power Sensor should not exceed -20 dBm (10 microwatts) at all frequencies.

#### 43. FET BALANCE ADJUSTMENT†

44. Capacitors A2C2 and A2C12 are marked with asterisks on the schematic diagram and in the parts list. The asterisk indicates that these are factory-selected components chosen to suit integrated circuit A2U1 in the Power Sensor. The nominal capacitance value is shown, but the actual value and part number may be different. Only one of the capacitors will typically be used or they both might be omitted.

##### NOTE

*The FET balance has been factory adjusted with a nominal power meter and may exceed the 0.8 Vp-p switching transient and the  $\pm 2.0$  mV Auto Zero signal when measured with another power meter. This adjustment should only be required if the A2U1 Assembly is changed or the associated wires are moved.*

45. Capacitors A2C2 and C12 control the dc voltage level at U1-pin 2. They also affect the balance of the sampling gate drive voltage, but only slightly.

46. The relative position of the wires which connect to pins G and H of connector J1 in the Power Sensor have the largest effect on the switching transients (voltage spikes). One wire is black on white and the other is brown on white. Care must be used not to displace these wires.

##### NOTE

*The position of the black and yellow on white (the output to the power meter) may also affect the voltage spike amplitude.*

47. To find the correct values for A2C2 and A2C12 and to find the correct position for the wires, perform the procedure found in the following paragraphs after connecting a DVM and oscilloscope to:

- a. test point A4TP4 in the HP 435-series power meters, or
- b. test point A1TPAC(3) in the HP 436A Power Meter.

##### NOTES

*No comparable test point exists in the HP 437B or 438A Power Meters.*

*A2U1 is light sensitive and should be covered while checking the dc voltage level.*

48. Press the auto zero switch; select A2C2 and/or C12 for a voltage between +6 and -2 mVdc. A higher value of C12 will cause the dc voltage to go more positive; a higher value of C2 will cause the voltage to go more negative.

49. Various values for A2C2 and C12 should be tried. The value should range from no capacitance to a maximum value of 10 pF. Solder the capacitor in place only after a suitable value has been found. (Refer to paragraph 73 for special soldering instructions.)

50. Monitor the voltage transient spikes with an oscilloscope. Position the wires mentioned in paragraph 46 to reduce the voltage spikes to less than 0.8 Vp-p.

Table 4. SWR and Reflection Coefficient

Frequency	Measuring System Reflection Coefficient Uncertainty	Actual Measurement	Maximum SWR (Reflection Coefficient)
10 MHz to 30 MHz	$\pm 0.015$	_____	1.40 (0.167)
30 MHz to 4 GHz	$\pm 0.015$	_____	1.15 (0.070)
4 GHz to 10 GHz	$\pm 0.025$	_____	1.20 (0.091)
10 GHz to 15 GHz	$\pm 0.035$	_____	1.30 (0.130)
15 GHz to 18 GHz	$\pm 0.035$	_____	1.35 (0.150)

†Refer to the Appendix for backdating information.

### 51. REPLACEABLE PARTS

52. Table 5 is a list of replaceable parts. Figure 3 illustrates the major parts. To order a part, quote the Hewlett-Packard part number, specify the quantity required, and address the order to the nearest Hewlett-Packard office. To order a part not listed in Table 5, give the instrument model number, instrument serial number, the description and function of the part, and the quantity of parts required.

### 53. SERVICE

54. Test equipment which meets or exceeds the critical specifications in Table 2 may be used in place of the recommended instruments for troubleshooting the Power Sensor.

55. Figure 4 shows the locations of the assemblies and components. Figure 5 is the schematic diagram.

Table 5. Replaceable Parts

Reference Designation	HP Part Number	C D	Qty	Description	Mfr Code	Manufacturer Part Number
A1	08484-60008	0	1	BULKHEAD ASSEMBLY, REPLACEMENT	28480	08484-60008
A2	08484-60031	9	1	BD AY-POWER SNSR	28480	08484-60031
A2C1	0180-0679	1	1	CAP-FXD 8.2uF 15 V TA	04222	TMZG825K015RBSZ0065
A2C2*	0160-2247	1	1	CAP-FXD 3.9pF 500 V	52763	2RDPLX0503R9NPO
A2C3	0160-4306	7	1	CAP-FXD 100pF 100 V		0805C101K3T
A2C4	0160-4306	7	1	CAP-FXD 100pF 100 V		0805C101K3T
A2C5§	0180-0642	8	1	CAP-FXD 15uF 20 V TA		202L2002-156M4
A2C6	0160-3094	8	1	CAP-FXD 0.1uF 100 V	04222	SR301C104KAAH
A2C7	0160-3879	7	1	CAP-FXD 0.01uF 100 V	04222	SR201C103MAAH
A2C8	0160-4306	7	1	CAP-FXD 100pF 100 V		0805C101K3T
A2C9	0160-4306	7	1	CAP-FXD 100pF 100 V		0805C101K3T
A2C10	0180-0678	0	1	CAP-FXD 220uF 3 V TA	04222	MMJ-003-227R-20/SPEC.
A2C11	0180-0594	9	1	CAP-FXD 3.3uF 15 V TA		202L1602-335-M4
A2C12*§	0160-2247	1	1	CAP-FXD 3.9pF 500 V	52763	2RDPLX0503R9NPO
A2C13*§	0160-0576	5	1	CAP-FXD 0.1uF 50 V	04222	SR205C104MAAH
A2CR1	1901-0518	8	1	DIODE-SCHOTTKY SM SIG	28480	5082-5509
A2Q1	1854-0610	0	1	TRANSISTOR NPN SI TO-46 FT=800MHZ	04713	
A2R1	0698-7239	0	1	RESISTOR 1.33K +-1% .05W TF TC=0+-100	2M627	CRB20
A2R2	0698-7273	2	1	RESISTOR 34.8K +-1% .05W TF TC=0+-100	2M627	CRB20
A2R3	0698-7196	8	1	RESISTOR 21.5 +-1% .05W TF TC=0+-100	2M627	CRB20
A2R4	0698-7224	3	1	RESISTOR 316 +-1% .05W TF TC=0+-100	2M627	CRB20
A2R5	0698-8616	9	1	RESISTOR 8.46K +-1% .05W TF TC=0+-100	2M627	CRB20
A2R6	0698-8617	0	1	RESISTOR 5.31K +-1% .05W TF TC=0+-100	2M627	CRB20
A2R7	0698-8618	1	1	RESISTOR 4.12K +-1% .05W TF TC=0+-100	2M627	CRB20
A2U1	1813-0060	8	1	IC MISC TO-8 PKG		
CHASSIS MISCELLANEOUS PARTS						
J1§	08481-60024	7	1		28480	08481-60024
MP1	08484-20015	5	1	HOUSING	28480	08484-20015
MP2	08481-20011	8	1	CHASSIS	28480	08481-20011
MP3	08481-20011	8	1	CHASSIS	28480	08481-20011
MP4	08484-20016	6	1	FLANGE, FRONT, OUTER	28480	08484-20016
MP5	08484-20018	8	1	FLANGE, REAR, OUTER	28480	08484-20018
MP6	08484-20019	9	1	RING LOCK	28480	08484-20019
MP7	08484-20020	2	1	FLANGE, REAR, INNER	28480	08484-20020
MP8	1251-3363	8	1	NUT-AUDIO CONN		91-T-1335-6-9
MP9	3030-0436	4	1	SCREW-SKT HD CAP 0-80 .5-IN-LG SST-300	13689	
MP10§	1460-1978	0	1	SPRING-CPRSN .088-IN-OD .188-IN-OA-LG	84830	C1-012B-2-SS
MP11	5040-6939	7	1	CLAMP	28480	5040-6939
MP12	5040-6940	0	1	BLOCK	28480	5040-6940
MP13,14	3030-0312	5	2	SCREW-SET 2-56 .25-IN-LG CUP-PT SST	13689	ORDER BY DESCRIPTION
MP15-22	0520-0166	3	8	SCREW-MACH 2-56 .375-IN-LG 82 DEG		ORDER BY DESCRIPTION
MP23-27	3030-0436	4	5	SCREW-SKT HD CAP 0-80 .5-IN-LG SST-300	13689	ORDER BY DESCRIPTION
MP28-31	2190-0572	6	4	WASHER-LK HLCL NO. 0 .062-IN-ID .1-IN-OD	51721	ORDER BY DESCRIPTION
MP32-39	3030-0954	1	8	SCREW-SKT HD CAP 0-80 .188-IN-LG SST-304	26304	TP31CR00J3PS
MP40	4208-0096	0	1	FOAM-POLYU .125-IN-THK .312-IN-WD	22491	4208-0096
MP41	00435-60030	3	1	KNOB ASSEMBLY-RANGE (OPT 002 ONLY)	28480	00435-60030
MP42	08484-80003	7	2	LABEL-SIDE	28480	08484-80004
MP43	08484-80004	8	1	LABEL-ID	28480	08484-80004
MP44	08484-80005	9	1	LABEL-CAL-BLANK	28480	08484-80005
MP45	08484-80006	0	1	TAPE-MYLAR	28480	08484-80006
R1	0698-7260	7	1	RESISTOR 10K +-1% .05W TF TC=0+-100	2M627	CRB20

See Introduction to this section for ordering information

\*Indicates factory selected component

§Refer to the Appendix for backdating information



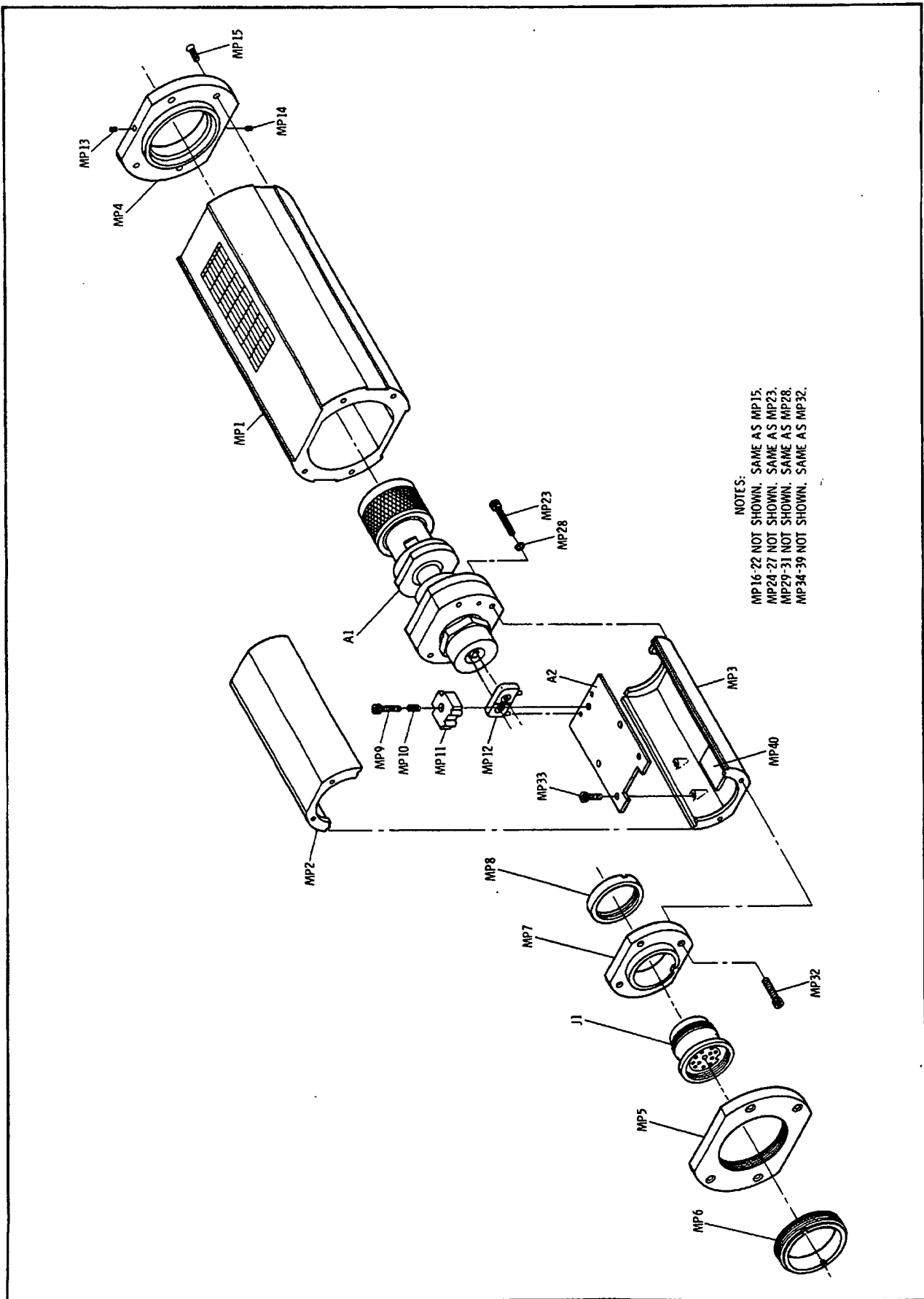


Figure 3. Illustrated Parts Breakdown

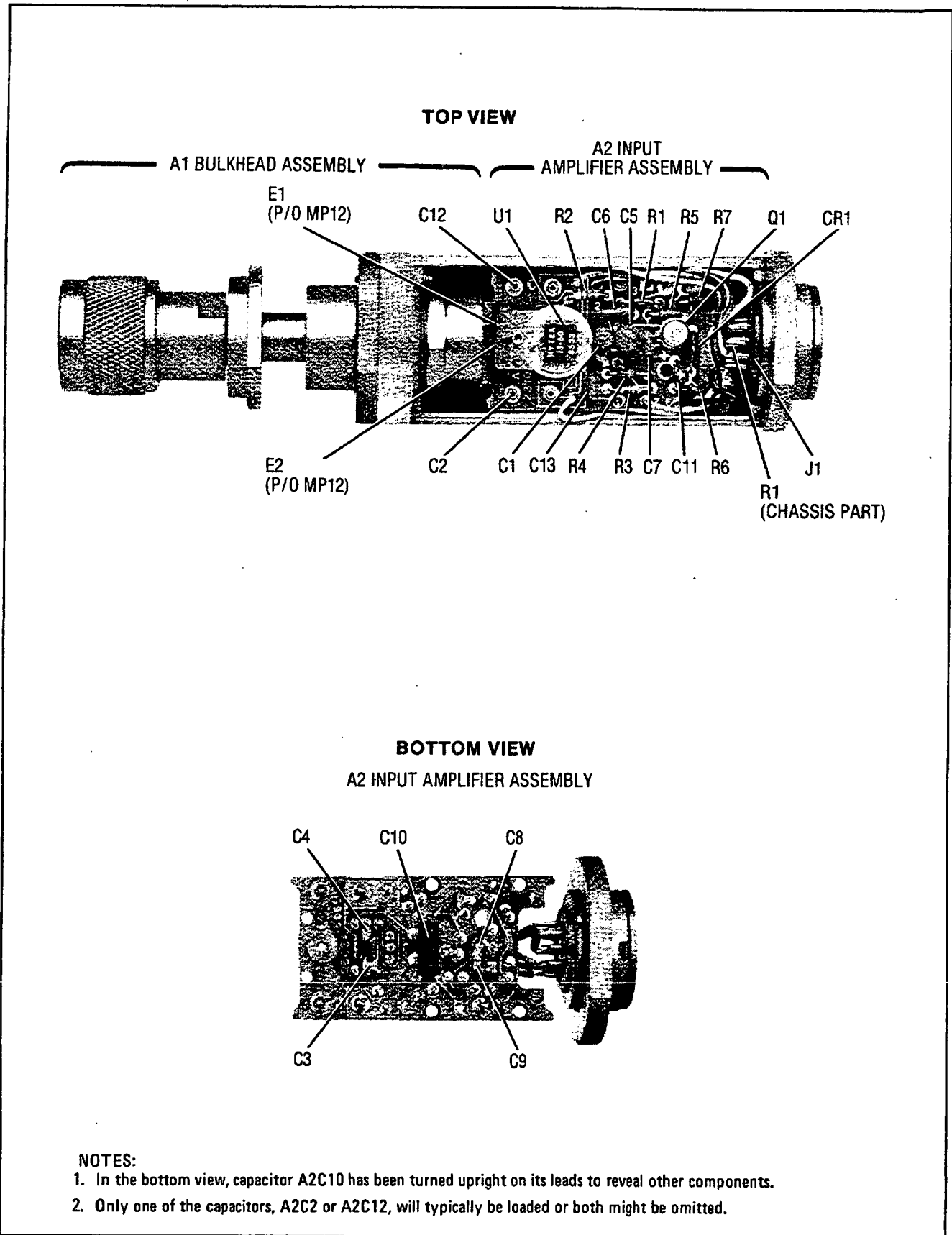
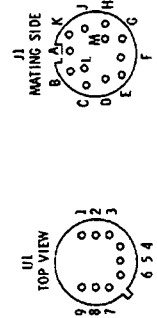
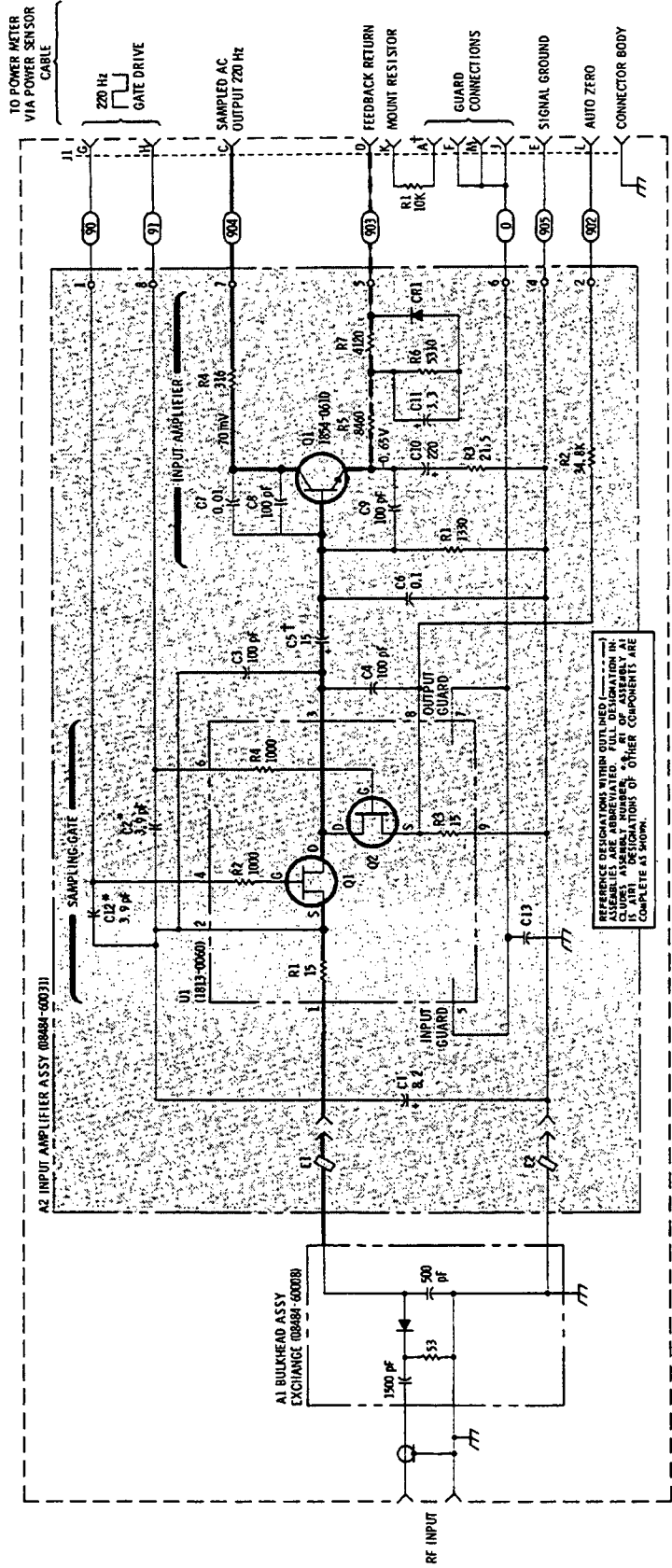


Figure 4. Component and Assembly Locations



REFERENCE DESIGNATIONS

NO PREFIX	A2
J1	C1-C12
R1	CR1
	Q1
AZU1	R1-R7
Q1-Q2	U1
R1-R6	

REFERENCE DESIGNATIONS WITHIN OUTLINED AREAS ARE FOR THE PURPOSES OF IDENTIFICATION ONLY. THE COMPLETE LIST OF ASSEMBLY AND SUB-ASSEMBLY PARTS IS LISTED IN THE PARTS LIST. DESIGNATIONS OF OTHER COMPONENTS ARE COMPLETE AS SHOWN.

- NOTES:
- UNLESS OTHERWISE INDICATED, RESISTANCE IN OHMS; CAPACITANCE IN MICROFARADS.
  - A1 BULKHEAD ASSEMBLY IS NOT REPAIRABLE.
  - \* VALUE SELECTED IN TEST.
  - † SEE BACKQUATING INFORMATION IN APPENDIX

CAUTION: DO NOT FORCE LARGE-DIAMETER TEST PRODS INTO THE PIN RECEPTACLES OF J1. THIS MAY PERMANENTLY DEFORM THE RECEPTACLES.

Figure 5. HP Model 8484A Schematic Diagram

Table 6. Manufacturer's Code List

Mfr. No.	Manufacturer Name	Address	Zip Code
00000	ANY SATISFACTORY SUPPLIER		
24546	CORNING GLASS WORKS (BRADFORD)	BRADFORD PA	16701
25088	SIEMENS CORP	ISELIN NJ	08830
28480	HEWLETT-PACKARD CO CORPORATE HQ	PALO ALTO CA	94304
51959	VICLAN INC	SAN DIEGO CA	92138
56289	SPRAGUE ELECTRIC CO	NORTH ADAMS MA	01247

## 56. Principles of Operation

57. Bulkhead assembly A1 presents a 50-ohm load to the RF signal applied to the Power Sensor. A diode in the bulkhead assembly rectifies the applied RF to produce a dc voltage which varies with the square of the RF voltage across the 50-ohm load. Thus, the dc voltage varies with the RF power dissipated in the load. With maximum measureable RF input power (10  $\mu$ W), the dc voltage is approximately  $-5$  mV.

58. Components A2E1 and A2E2 are ferrite beads situated in the black plastic block through which the wires from A1 pass to A2. Each ferrite bead increases the self-inductance of the wire passing through the bead, causing this portion of wire to act as an RF choke. The result is to minimize rf feedthrough to the A2 input amplifier assembly.

59. The dc output from the bulkhead assembly is applied to the two field-effect transistors (FET's) in A2U1. These transistors function as a sampling gate (or chopper). The sampling rate is controlled by a 220 Hz square wave supplied by the power meter. The sampling gate output (at pin 3 of A2U1) is a 220 Hz square wave having a voltage proportional to the RF power input.

60. The output of A2U1 is amplified about 1700 times by an operational amplifier made up of A2Q1 and the first amplifier stage in the power meter. Figure 6 is a simplified diagram of the complete operational amplifier.

61. Resistors A2R5, A2R6, and A2R7 together with capacitor A2C11 and diode A2CR1, make up a shaping network. This network brings about a linear change in the amplitude of the square wave output as RF input power changes. A shaping network in the power meter (Figure 6) produces the same effect when a power sensor of the thermocouple type is used. (HP Model 8481A, 8482A,

and 8483A Power Sensors are thermocouple devices.) Because the HP 8484A Power Sensor uses a diode detector, an additional network is required in the Power Sensor to compensate for the characteristics of the thermocouple-type shaping network in the power meter.

62. The Auto Zero Signal is a dc voltage which corrects the output of A2U1 to compensate for changes in dc offset voltages in the Power Sensor. The dc level of the Auto Zero signal ranges from approximately  $-14$  mVdc to approximately  $+14$  mVdc. Resistor A2R2 increases the effective impedance of the Auto Zero signal source, resulting in a relatively-unchanging current source. By this means, the current through A2U1R3 resulting from the Auto Zero signal is made independent of thermal EMF's produced in the auto zero circuit.

63. When the Power Sensor is used with the HP 436A, 437B, or 438A Power Meters, the resistance of R1 indicates the type of power sensor in use. As a result, the power meter automatically selects the proper measurement range. The 10,000 ohms resistance of R1 causes selection of the  $-70$  to  $-20$  dBm range. With the 435B Power Meter, R1 serves no function.

## 64. Troubleshooting

### NOTE

*If A2 Input Amplifier is found to be faulty, replacing it as a unit may be more economical than further troubleshooting and repair.*

65. The troubleshooting information which follows is intended to isolate a problem to a stage. The defective component can then be identified by voltage and resistance checks. The field-effect transistors (FET's) in A2U1 are slightly light sensitive. As a result, dc levels are shifted slightly when the FET's are exposed.

66. The A1 bulkhead assembly supplies approximately  $-5$  mV when the RF input is  $10 \mu\text{W}$ . This dc voltage will vary somewhat if the A2 input amplifier is inoperative, or if the bulkhead assembly is disconnected from the input amplifier. The A1 bulkhead assembly is not a repairable item, and the entire unit should be replaced if defective.

67. The FET's in A2U1 may be checked by the following procedure:

a. Disconnect the cables from the Power Sensor.

b. Remove the upper chassis from the Power Sensor. (Refer to disassembly procedures, paragraph 76.)

c. Measure the resistance between pins 1 and 2 of the A2U1. The resistance should be  $15 \pm 0.75$  ohms. The same resistance should be found between pins 8 and 9 of A2U1.

d. Short pins E, G and H of J1. While the pins are shorted, measure the resistance between pins 2 and 3, and between pins 3 and 8, of A2U1. The resistance should be less than 40 ohms.

e. Set a power supply to 10 Vdc.

f. Connect the positive side of the power source to the Power Sensor signal ground. Connect the negative power supply lead to pins 4 and 6 of A2U1.

g. Measure the resistance between pins 2 and 3 of A2U1. Also measure the resistance between pins 3 and 8 of A2U1. In both cases, the resistance should be several hundred times the resistance found in step d.

68. The 220 Hz drive from the power meter should have the following levels:

a.  $-0.05 \pm 0.05$  Vdc (top of square wave).

b.  $> -9$  Vdc (bottom of square wave).

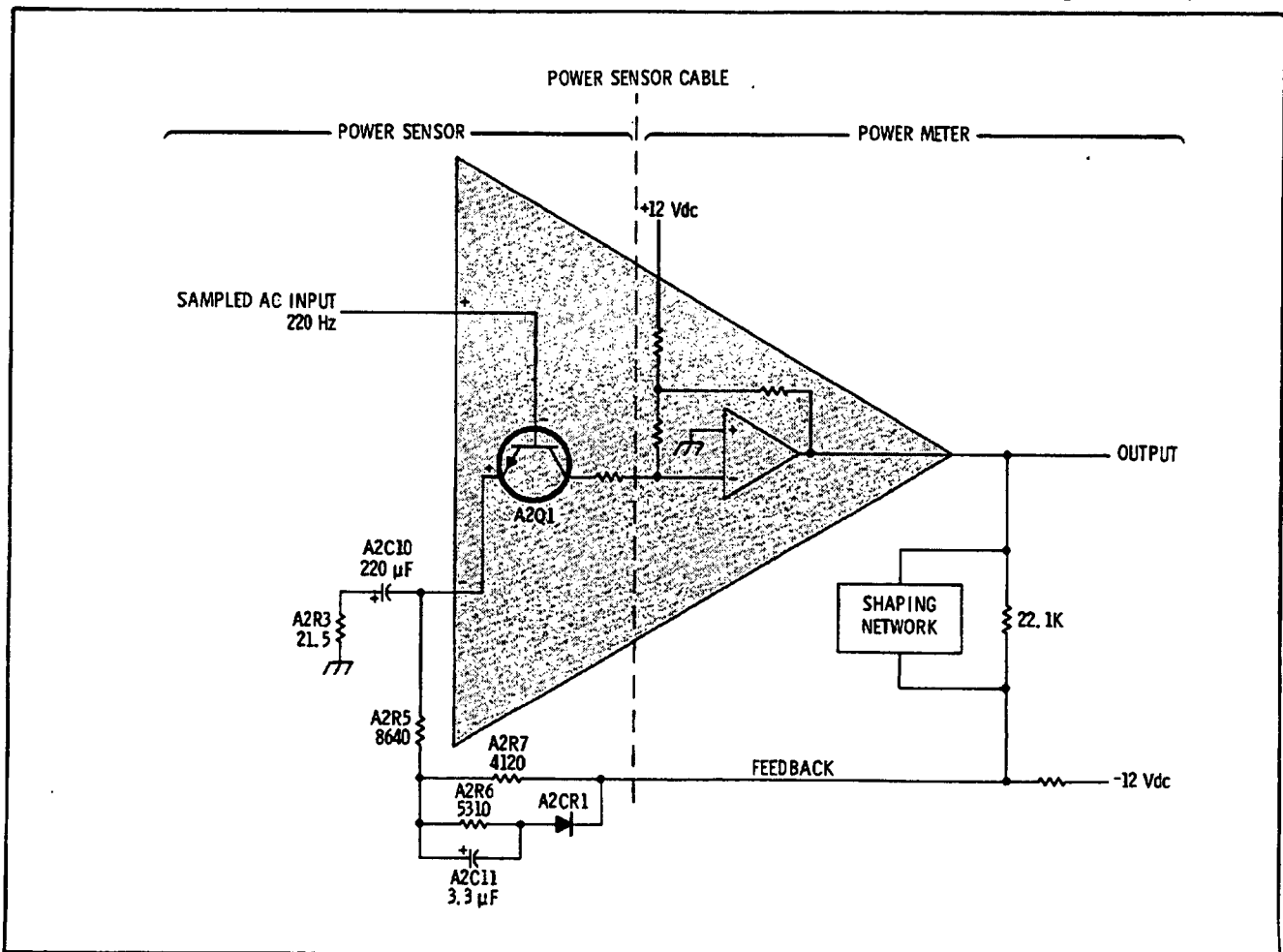


Figure 6. Operational Amplifier

69. In most cases it may be assumed that the operational amplifier (made up of A2Q1 and the first amplifier is the power meter) is operating correctly if the dc voltage on the metal cover of A2Q1 (collector) is  $-70 \pm 30$  mVdc. If the 8484A seems noisy, the most likely source is the transistor A2Q1.

## 70. REPAIR

### 71. Cleanliness

72. Do not handle the A2 input amplifier circuit board more than necessary. Dirt or moisture from the hands may make the circuits inoperative. Do not use solder-flux remover on the circuit board. It is particularly important to keep the area around A2U1 clean.

### 73. Soldering Techniques

74. The HP 8484A Power Sensor is a high-sensitivity device, and is affected by very small differences in temperature between its components. Therefore, after the performance of any soldering in the unit, *several hours* must be allowed for the unit to reach thermal equilibrium before it is used or tested.

75. Capacitors A2C3, A2C4, A2C8, and A2C9 (Figure 4) require low-temperature soldering techniques. The connections to these capacitors are a gold film deposited on a ceramic base. Molten solder results in the gold forming an amalgam with the solder, and the consequent removal of the gold from its ceramic base. Soldering must be done quickly, and a low-temperature soldering iron and solder must be used. The capacitors must be discarded if unsoldered. If integrated circuit A2U1 or transistor A2Q1 is replaced, two of these capacitors must be removed, and therefore must be replaced with new ones. The required low-temperature soldering iron and solder are as follows:

- a. Hexacon Thermo-O-Trac soldering iron with J206X tip, temperature 600° F (311°C).
- b. Low-temperature solder SN 62.

### 76. Disassembly Procedures

#### CAUTION

*Disassembly must be performed in the sequence described below, otherwise damage may be caused to the two gold wires between the A1 bulkhead assembly*

*and the A2 input amplifier assembly. If these wires are damaged, the A1 bulkhead assembly must be returned to the factory for repair.*

*Each Power Sensor has an individually prepared graph on housing 08484-20015. If more than one Power Sensor is disassembled, be sure to use the proper housing for each when they are reassembled.*

77. Disassembly of the HP 8484A Power Sensor requires the following steps, described in detail in the next paragraph.

- a. Remove housing 08484-20015 and front flange 08484-20016.
- b. Remove chassis 08481-20001 (upper).
- c. Remove A1 bulkhead assembly.
- d. Remove chassis 08481-20001 (lower).

78. In detail, the steps above are performed as follows. (Refer to Figure 7.)

- a. Loosen setscrews 19 and 20 ; use a 4-spline socket drive. (Tool part No. HP 8710-0055.) Remove screws 1, 2, 3, and 4, extract housing 08484-20015, and remove front flange 08484-60016.

- b. Position the Power Sensor with the slot in J1 downward. Then remove screws 5 and 6. Also, remove the corresponding screws 17 and 18 at the other end of the Power Sensor. Loosen screws 13 and 14 ; then lift the chassis upward for removal.

- c. To remove A1 bulkhead assembly, extract screw 7 to remove clamp and spring releasing the gold wires. Then extract screws 8, 9 and 10, and slide the A1 bulkhead assembly straight out.

- d. To remove A2 input amplifier assembly, together with connector J1, extract screws 11 through 16.

### 79. Reassembly Procedures

- a. If capacitor A2C10 (beneath the A2 circuit board) has been turned upright on its leads,

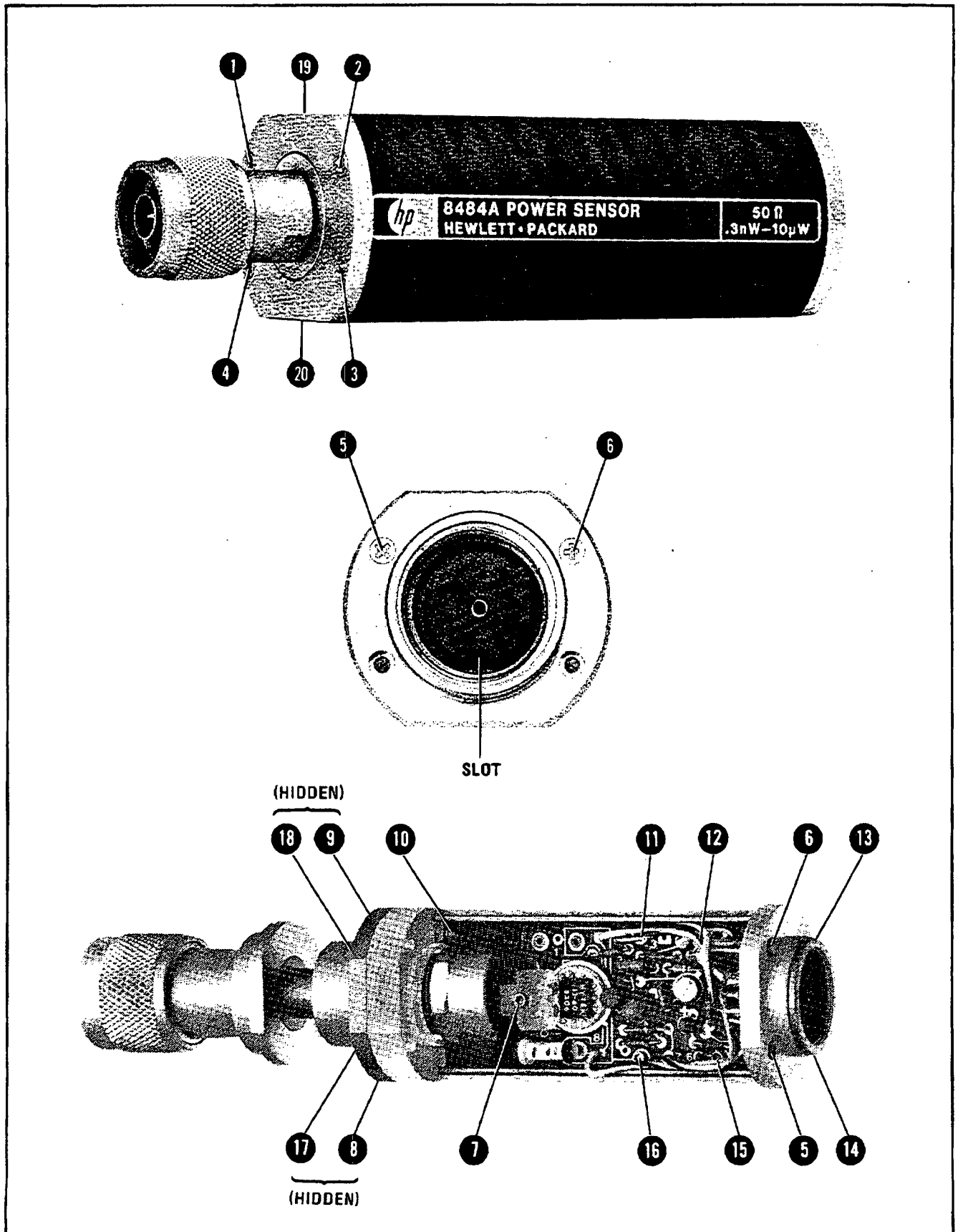


Figure 7. Power Sensor Disassembly and Assembly

bend the leads to place the capacitor back in position. The capacitor must be swung toward connector J1; this will place the capacitor over the pad in lower chassis 08481-20001.

b. Place A2 Input Amplifier Assembly, with J1, in lower chassis 08481-20001. The four screw holes in the circuit board must be positioned over the threaded holes in the chassis.

c. Insert, but do not tighten, screws 11 through 16. Refer to Figure 7.

d. Center the circuit board so there is an equal space between it and the chassis on both sides. Tighten screws 11, 12, 15, and 16.

e. Carefully insert the gold leads on A1 bulk-head assembly through the holes in the black plastic guide on A2 input amplifier.

f. Insert screws 8, 9, and 10. Tighten only screw 10.

g. Position the ends of the gold wires over the pads on A2U1. The wires should not pass over

the hole in the pad. Lightly clamp the leads in place with screw 7.

**CAUTION**

*DO NOT fully compress the spring with screw 7, or the A2U1 Assembly may be damaged.*

h. Place upper chassis 08481-2001 in position.

i. Insert, but do not tighten, screws 17, 18, 5, and 6.

j. Tighten screws 8, 9, 17, and 18.

k. Tighten screws 5, 6, 13, and 14.

l. Insert the assembled unit in housing 08484-20015. Place front flange 08484-60016 on housing.

m. Install, but do not tighten, screws 1, 2, 3, and 4.

n. Loosen lock ring 08484-20019.

o. Tighten screws 1, 2, 3, and 4.

p. Tighten lock ring 08484-20019, and setscrews 19 and 20.



## Manual Changes Appendix (Backdating)

This appendix contains information for adapting this manual to previous versions of the HP 8484A Power Sensor.

### How to use this appendix.

If the serial prefix of your HP 8484A is 2634A or below, this section applies to you. Find the serial prefix that applies to your instrument and make the changes.

#### Note



The color of the HP 8484A housing used to be black. Now it is French Grey. The serial number prefix was not changed. Mounting hardware (screws and washers) were changed. The direct preferred replacements are listed in Table 5, "Replaceable Parts".

#### 2634A

The labels changed. No manual change is necessary. The ID label in the list of replaceable parts is the preferred replacement.

#### 2349A

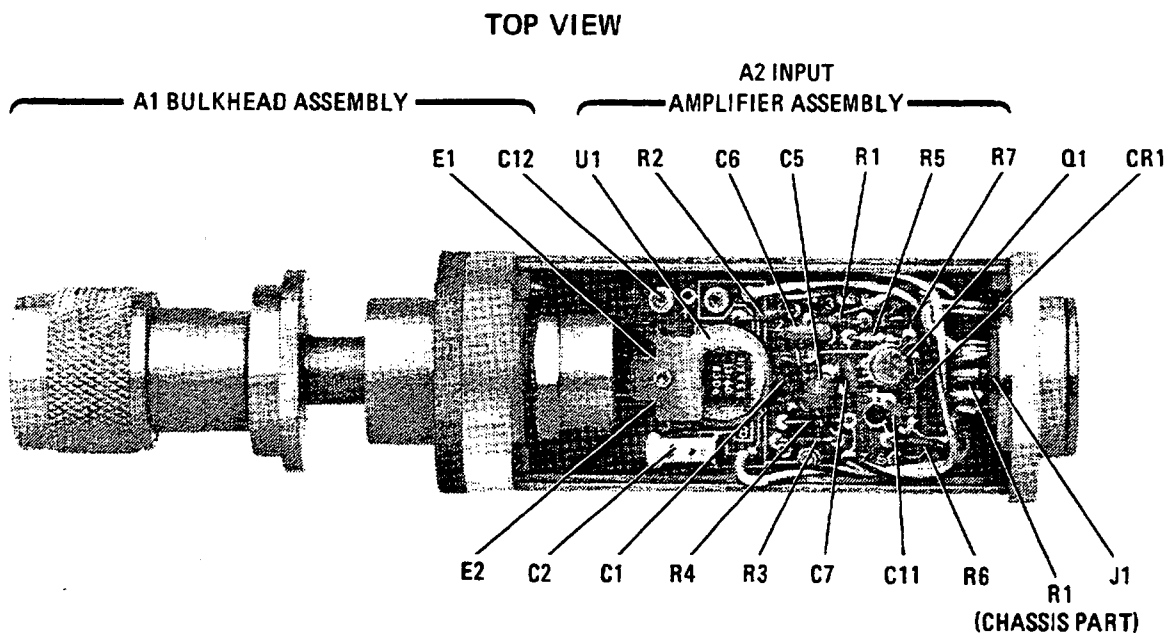
1. A1 Bulkhead assembly part number changed. The previous number was 08484-60005. The direct preferred replacement is listed in Table 5 Replaceable Parts.
2. The change listed for 2634A apply.

#### 2237A

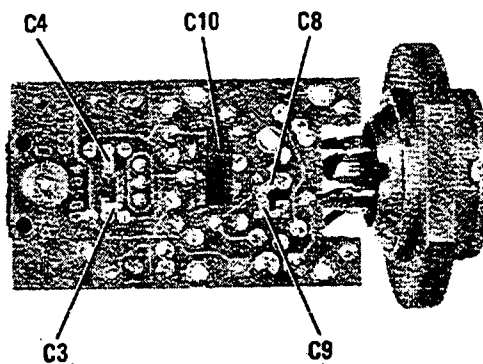
1. Sensors with serial number prefix with 2237A and below have a different A2 Input Amplifier Assembly: 08484-60001. Delete A2C13 from Figure 5 schematic. Replace Figure 4 Component Locations with the figure in this appendix. The A2 assembly in the list of replaceable parts is the direct preferred replacement.
2. J1 connector (5180-2702) for this serial prefix is different from any other. On Figure 5 schematic add a line connecting pin A with pin F. If servicing a Sensor with serial number prefix of 2237A, we recommend removing the wire connecting pin A to F. The preferred direct replacement is listed in the material list.
3. The changes listed for 2349A, and 2634A apply to this serial prefix.

#### 2046A

1. Change 2 (J1 connector) listed for serial prefix 2237A does not apply. In Power Sensors with 2046A prefix and below, Pin A did not exist. Delete Pin A from J1 in Figure 5, Schematic.
2. The part number for J1 was originally 1251-5759. The preferred direct replacement is listed in the parts list.
3. MP10 was originally 1460-1224. The preferred direct replacement is listed in the parts list.
4. Changes listed for 2237A (other than J1), 2349A and 2634A apply to this serial prefix.



**BOTTOM VIEW**  
A2 INPUT AMPLIFIER ASSEMBLY



**NOTES:**

1. In the bottom view, capacitor A2C10 has been turned upright on its leads to reveal other components.
2. Only one of the capacitors, A2C2 or A2C12, will typically be loaded or both might be omitted.

**Figure 4. Component and Assembly Locations (2349A and below)**

**1916A**

1. Sensors with serial prefix 1916A and below did not have A2C12. Delete all references A2C12. A2 Input Amplifier in the replaceable parts list is the direct and preferred replacement.
2. The changes listed for 2046A, 2237A (other than J1) 2349A, and 2634A apply.

**1635A**

1. Change the specification table to read as follows:

*Maximum SWR (Reflection Coefficient) of Power Sensor:*

- 1.40 (0.167) 10 to 30 MHz
- 1.15 (0.070) 30 MHz to 4 GHz
- 1.20 (0.091) 4 to 10 GHz
- 1.30 (0.130) 10 to 18 GHz

2. Replace Table 4 SWR and Reflection Coefficient, with the following:

**Table 4. Power Sensor Reflection Coefficient**

Frequency	System Rho Uncertainty	Actual Measurement	Maximum SWR (Rho)
10 Mhz to 30 MHz	±0.015	_____	1.40 (0.167)
30 MHz to 4 GHz	±0.015	_____	1.15 (0.070)
4 to 10 GHz	±0.025	_____	1.20 (0.091)
10 to 18 GHz	±0.035	_____	1.30 (0.130)

3. The changes listed for 1916A, 2046A, 2237A (other than J1) 2349A, and 2634A apply.

**1528A**

1. A2C5 (originally 0180-0679) was an 8.2µF capacitor, however the part listed in the replaceable parts list is the preferred direct replacement.
2. Delete 1251-3172 under A2 Miscellaneous in the replaceable parts list.
3. The changes listed for 1635A, 1916A, 2046A, 2237A (other than J1) 2349A, and 2634A apply.

## CERTIFICATION

*Hewlett-Packard Company certifies that this product met its published specifications at the time of shipment from the factory. Hewlett-Packard further certifies that its calibration measurements are traceable to the United States National Institute of Standards and Technology, (NIST), to the extent allowed by the Institute's calibration facility, and to the calibration facilities of other International Standards Organization members.*

## WARRANTY

This Hewlett-Packard instrument product is warranted against defects in material and workmanship for a period of one year from date of shipment. During the warranty period, Hewlett-Packard Company will, at its option, either repair or replace products which prove to be defective.

For warranty service or repair, this product must be returned to a service facility designated by HP. Buyer shall prepay shipping charges to HP and HP shall pay shipping charges to return the product to Buyer. However, Buyer shall pay all shipping charges, duties, and taxes for products returned to HP from another country.

HP warrants that its software and firmware designated by HP for use with an instrument will execute its programming instructions when properly installed on that instrument. HP does not warrant that the operation of the instrument, or software, or firmware will be uninterrupted or error free.

## LIMITATION OF WARRANTY

The foregoing warranty shall not apply to defects resulting from improper or inadequate maintenance by Buyer, Buyer-supplied software or interfacing, unauthorized modification or misuse, operation outside of the environmental specifications for the product, or improper site preparation or maintenance.

NO OTHER WARRANTY IS EXPRESSED OR IMPLIED. HP SPECIFICALLY DISCLAIMS THE IMPLIED WARRANTIES OF MERCHANTABILITY AND FITNESS FOR A PARTICULAR PURPOSE.

## EXCLUSIVE REMEDIES

THE REMEDIES PROVIDED HEREIN ARE BUYER'S SOLE AND EXCLUSIVE REMEDIES. HP SHALL NOT BE LIABLE FOR ANY DIRECT, INDIRECT, SPECIAL, INCIDENTAL, OR CONSEQUENTIAL DAMAGES, WHETHER BASED ON CONTRACT, TORT, OR ANY OTHER LEGAL THEORY.

## ASSISTANCE

*Product maintenance agreements and other customer assistance agreements are available for Hewlett-Packard products.*

## HEWLETT-PACKARD SERVICE OFFICES

To obtain servicing information, contact the nearest Hewlett-Packard Sales and Service Office in the HP Catalog, or contact the nearest regional office listed below.

### UNITED STATES

NO. CALIFORNIA (San Francisco Area)

333 Logue Ave.

Mt. View, CA 94043

SO. CALIFORNIA (Los Angeles Area)

5400 West Rosecrans Blvd.

Lawndale, CA 90260

### GEORGIA

450 Interstate N. Parkway

Atlanta, GA 30348

### ILLINOIS

5201 Tollview Dr.

Rolling Meadows, IL 60008

### NEW JERSEY

W. 120 Century Rd.

Paramus, NJ 07652

### AUSTRALIA

Hewlett-Packard Australia Ltd.

31-41 Joseph Street

Blackburn, Victoria 3130

### CANADA

Hewlett-Packard (Canada) Ltd.

6877 Goreway Drive

Mississauga, Ontario

Canada L4V 1M8

### ITALY

Hewlett-Packard Italiana S.p.A.

Via G. Di Vittorio, 9

20063 Crnusco

Sul Naviglio (MI)

### FRANCE

Hewlett-Packard France

Quartier de Courtaboeuf

Boite Postale No. 6

F-91401 Orsay Cedex

### GERMAN FEDERAL REPUBLIC

Hewlett-Packard GmbH

Vertriebszentrale Frankfurt

Bernerstrasse 117

Postfach 560 140

D-6000 Frankfurt 56

### NETHERLANDS

Hewlett-Packard Benlux N.V.

Van Heuven Doedhartlaan 121

P.O. Box 667

NL-Amstelveen 1134

### UNITED KINGDOM

Hewlett-Packard Ltd.

King Street Lane

GB-Winnersh, Wokingham

Bers, RG11 5AR

### AFRICA, ASIA, CENTRAL AND SOUTH AMERICA

Hewlett-Packard Intercontinental

3200 Hillview Avenue

Palo Alto, CA 94304

Reorder No. or  
Manual Part No.

**08484-90019**  
**E0590**



Printed on  
Recycled Paper

Printed in USA



**08484-90019**