

Errata

Title & Document Type: 6282A DC Power Supply Operating and Service Manual

Manual Part Number: 06282-90001

Revision Date: July 1966

HP References in this Manual

This manual may contain references to HP or Hewlett-Packard. Please note that Hewlett-Packard's former test and measurement, semiconductor products and chemical analysis businesses are now part of Agilent Technologies. We have made no changes to this manual copy. The HP XXXX referred to in this document is now the Agilent XXXX. For example, model number HP8648A is now model number Agilent 8648A.

About this Manual

We've added this manual to the Agilent website in an effort to help you support your product. This manual provides the best information we could find. It may be incomplete or contain dated information, and the scan quality may not be ideal. If we find a better copy in the future, we will add it to the Agilent website.

Support for Your Product

Agilent no longer sells or supports this product. You will find any other available product information on the Agilent Test & Measurement website:

www.tm.agilent.com

Search for the model number of this product, and the resulting product page will guide you to any available information. Our service centers may be able to perform calibration if no repair parts are needed, but no other support from Agilent is available.





***OPERATING AND
SERVICE MANUAL***

**DC POWER SUPPLY
HP MODEL 6282A**

HP Part No. 06282-90001

SERIAL NUMBER PREFIX 6G

Printed: July, 1966

MANUAL CHANGES
 Model 6282A DC Power Supply
 Manual HP P/N 06282-90001
 Manual Print Date 06/66
 Change Date 7/26/96

Make all corrections in the manual according to errata below, then check the following table for your power supply serial number and enter any listed change(s) in the manual.

SERIAL		MAKE CHANGES
Prefix	Number	
All	---	Errata
6G	01061-01120	1
6G	01121-01150	1,2
6G	01151-01181	1-3
8B	01182-01241	1-4
8B	01242-01506	1-5
8B	01507-01606	1-6
8B	01607-01776	1-7
1140A	01777-01796	1-8
1140A	01797-01816	1-9
1140A	01817-01901	1-10
1140A	01902-02481	1-12
1546A	02482-02526	1-13
1607A	02527-02731	1-14
1713A	02732-02781	1-15
1730A	02782-02906	1-16
1808A	02907-02931	1-17
1814A	02932-03006	1-18
1838A	03007-03181	1-19
1915A	03182-03271	1-20
1927A	03272-03531	1-21*22
2007A	03532-03731	1-22
2041A	03732-03881	1-23
2109A	03882-03941	1-24
2117A	03942-04001	1-25*26
2134A	04002-04281	1-26
2235A	04282-04921	1-27
2410A	04922-05861	1-28
2626A	05862-06941	1-29
2840A	06492-06661	1-30
2840A	06662-06681	1-31
2942A	06682-06731	1-31
3003A	06732-07000	1-32
3315A	07001-07091	1-33
3547A	07092-07101	1-35
3630A	07102-up	1-36

ERRATA:

Change Q702, 800, 852, 853 to 2N2907A, Sprague, HP P/N 1853-0099.

On page 3-2, Figure 3-4, disconnect strap between A4 and A5 and connect A5 to +S. On page 3-3, Figure 3-6, disconnect strap between A7 and A8 and connect A8 to +S.

On page 5-8, Table 5-4, change Step 3B to read "...proceed to Step 4."

On page 5-14, paragraph 5-53, change Step b to read: "Connect dc voltmeter between TP27 and emitter of series regulating transistor(s)."

Change the parts list as follows:
 Change C802 to 47 uF, 63 V, +/-20% HP P/N 0180-4113; change CR401, 403, 404, 600, 601, 800, 801, 902 to 0.75A, 200 prv, G.E., 1N5059, HP P/N 1901-0327; change the HP P/N of CR501, 503, to 1901-1917.

In Table 1-1, change the INTERNAL IMPEDANCE AS A CONSTANT VOLTAGE SOURCE (Output Impedance) specification to read as follows: "OUTPUT IMPEDANCE (TYPICAL): Approximated by a 1 milliohm resistance in series with a 1 microhenry inductance.

Effective January 1, 1977, Options 007 (10-turn voltage control) and 008 (10-turn current control) are no longer available individually, but they are still available combined as Option 009. Likewise, Options 013 (10-turn voltage control with decadal) and 014 (10-turn current control with decadal) are no longer available individually, but they are available combined into a single new option designated Option 015. Make these changes wherever Option 007, 008, 013, or 014 is mentioned.

The front panel binding posts have been changed to a type with better designed insulation. Delete the two types of posts listed on page 6-7 of the parts list and add: black binding post, HP P/N 1510-0114 (qty. 2); red binding post, HP P/N 1510-0115 (qty. 1).

Change the part number of DS1 to 1450-0566. This new light is more reliable.

Indicate on the schematic with a dagger (†) to show that 1k is the nominal value for R313. The value for R313 is factory selected to optimize the range of transient adjust pot R307.

On page 5-6, paragraph 5-22, change steps a and f as follows:

- a. Connect test setup shown in Figure 5-4, with switch S1 closed.
- f. Insert load resistor (Ry) by opening S1.

NOTE

The protection circuit in this supply will be activated if switch S1 is closed instead of opened during this test.

On page 4-7, paragraph 4-41, and page 3-2, paragraph 3-18, add the following note:

NOTE

A protection circuit, which protects the series regulator from overload damage is activated whenever: (1) a short is placed across the supply, or (2) the output is rapidly down programmed by an increment of more than 4 to 10 volt. When activated, the protection circuit limits the supply's output current to about 10% of rating for a period of from 0.5 to 10 seconds depending on the model number and the load conditions.

For all instruments delivered on or after July 1, 1978, change the HP P/N for fuseholder from 1400-0084 to fuseholder body 2110-0564 and fuseholder carrier 2110-0565. Change the HP P/N for fuseholder nut from 2950-0038 to 2110-0569. If old fuseholder must be replaced for any reason, replace complete fuseholder and nut with new fuseholder parts. Do not replace with old parts.

On the schematic change TP21 to TP91, located in the gating circuit.

In the replaceable parts list, page 6-5, change C501 to HP P/N 0160-0170 and C200 to fxd film 0.012 uF 200 V, HP P/N 0160-0161.

Add the following items to the parts list: Space-round, qty 1, HP P/N 0380-1551. Internal-external lockwasher, qty. 1, HP P/N 2190-0576.

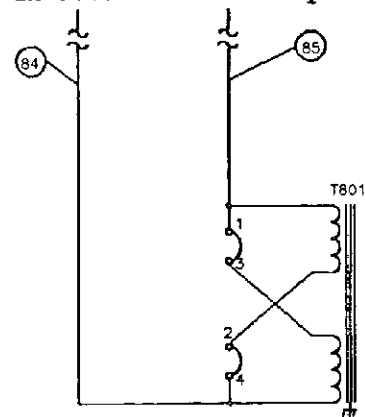
CHANGE 1:

In the replaceable parts list, change R309 from 25 ohm to 16 ohm.

CHANGE 2:

In the replaceable parts list change R870 to 5 k pot, HP P/N 2100-1824 and T801 to HP P/N 9100-2184.

On the schematic, the primary of bias transformer T801 should be connected as shown in the sketch above for 115 Vac operation. For 230 Vac operation, the jumpers between lugs 1 and 3, and 2 and 4 must be removed and lugs, 2 and 3 connected together. In addition, a new power transformer, T800, must be installed in accordance with Option 018.



CHANGE 3:

In the replaceable parts list change: R313 to 1 k +/-5%, 1/2 W, HP P/N 0686-1025; R601 to 422 ohm 1/4 W, HP P/N 0698-4590; R706 to 2W, I.R.C. Type BWG HP P/N 0811-1674; R871 to 750 ohm +/-1%, 1/8 W HP P/N 0757-0420; and add CR603, 1N485B, HP P/N 1901-0033, and VR800, 4.22 V HP P/N 1902-3070. Also delete R872.

On the schematic, connect CR603 across VR600 in the reference circuit. Anode to +S and cathode to +9.4 V. Also, delete R872 in the meter circuit and connect VR800 in its place. Anode of VR800 to base of Q850 and cathode to +15.4 V.

CHANGE 4:

On the title page, change serial number prefix from "6G" to "8B."

In the replaceable parts list, delete S1 (switch/pilot light) and replace with separate toggle switch and pilot light as follows: S1: toggle switch, Carling, 2FA53-73-SKI, HP P/N 3101-0984. DS1: pilot light, neon, Sloan, HP P/N 1450-0048.

Schematic connections to the new switch and pilot light remain the same, except that the two are physically separate.

CHANGE 5:

In the replaceable parts list, change: R826 to 3.9 k +/-5% 1/2 W HP P/N 0686-3925; Meter Bezel to HP P/N 4040-0294; and add two new spacers (for R309) HP P/N 0380-0715.

CHANGE 6:

In the replaceable parts list and on the schematic, change R501, R502 to 22 ohm +/-5%, 1/2 W, HP P/N 0686-2205.

CHANGE 7:

In the replaceable parts list add Terminal strip HP P/N 0360-0417, and change Meter Bezel 1/4 Mod. to HP P/N 4040-0297.

CHANGE 8:

The serial prefix of this unit has been changed to 1140A. This is the only change.

CHANGE 9:

In the replaceable parts list and the schematic change R702 to 1.5 k, 3 W ww HP P/N 0811-1805 and R709 to 1.6 k, +/-5%, 1/2 W, HP P/N 0686-1625.

CHANGE 10:

The standard colors for this instrument are now mint gray (for front and rear panels) and olive gray (for all top, bottom, side, and other external surfaces).

Option X95 designates use of the former color scheme of light gray and blue gray. Option A85 designates use of a light gray front panel with olive gray used for all other external surfaces. New part numbers are shown below.

CHANGE 11:

In the replaceable parts list, change CR502 and CR504 to SCR 20A to TO-3, HP P/N 1884-0223.

CHANGE 12:

In the replaceable parts list, change CR501 and CR503 to HP P/N 1901-0315.

CHANGE 13:

All primary ac connections have been removed from the circuit board and are now made directly to the transformer primaries. Pilot light resistor R903 has been removed from the PC board and is now on a new terminal strip (0360-1696) mounted on the SCR heatsink assembly. These changes do not affect the circuit schematic.

CHANGE 14:

In this supply, main power transformer T800 has been replaced by a new transformer with a dual-winding primary for 115/230 Vac operation. The new transformer (HP P/N 6282-80091) replaces both T800 transformers previously used in this Model for 115 V or 230 V operation. Since it is no longer necessary to replace T800 to convert the supply from 115 V to 230 V operation, or vice-versa, Option 018 (which equipped the supply for 230 V operation only) has been discontinued to be replaced by a new Option 028. In the replaceable parts list delete R903 (0686-1245) (qty 1). Option 028 modifies the standard 115 V unit to a 230 V unit as described below.

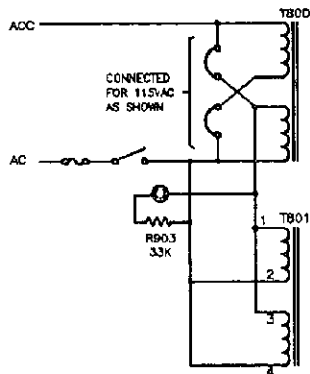
To convert the supply for 230 V operation:

- a. Remove the jumpers from between terminals 1 and 3, and 2 and 4 of T800.
- b. Install a jumper between terminals 2 and 3 on T800.

DESCRIPTION	HP PART NO.		
	STANDARD	OPTION A85	OPTION X95
Front Panel Complete	06282-60002	<-----	<-----
Front Panel Lettered	06282-60004	06282-60001	<-----
Heat Sink, Assembly	5060-7968	<-----	5060-6131
Rear Chassis	5000-9485	<-----	5000-6103
Cover, Top	5000-9431	<-----	5000-6104
Chassis, Right Side	5000-9406	<-----	5000-6098
Chassis, Left Side	5000-9407	<-----	5000-6099

c. Replace F1 with a 2 A 250 V fuse, 2100-0002. Note: Due to the circuit changes shown below, it is no longer necessary to change any jumper connection at T801. The dual primary windings of T801 are now permanently wired in parallel across winding 3-4 of T800. The pilot light, in series with R903, is also connected across this winding.

The revised primary circuit schematic is shown below:



CHANGE 15:

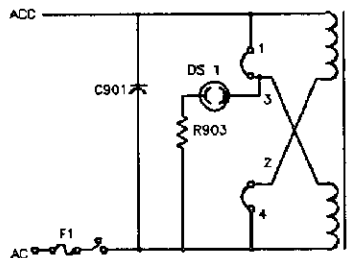
In the parts list and on the schematic, change R202 in the current input circuit to 61.9 k 1/8 W HP P/N 0757-0460.

CHANGE 16:

Transient adjust R307 in the driver and error amp circuit has been changed to 10 k 10% HP P/N 2100-3210. Correct the schematic and the parts list.

CHANGE 17:

Adds C901 0.1 uF, 250 V HP P/N 0160-4065 to the parts list and schematic as shown below:



CHANGE 18:

Add R904 in series with negative lead of C801. R94 is 10 ohm 5%, 1/2 W HP P/N 0686-1005.

CHANGE 19:

In the replaceable parts list and on the schematic, indicate that 12k +/-5%, 1/2 W HP P/N 0686-1235 is the nominal value for R712. The value for R712 is factory selected to optimize the range of ramp potentiometer R711. The procedure for selecting R712 is identical to the procedure given for 50 Hz operation in paragraph 5-55, steps g through j, except that the resistance value should be selected to provide a 3 V +/- 0.2 V drop across the series regulator. (For 50 Hz operation the voltage drop across the series regulator remains 3.5 V.) Set R711 to the center of its range before using the resistance box to determine value of R712.

Change VR600 to 9 V HP P/N 1902-0785. Change R606 to 9 k HP P/N 0698-5454.

Change R611 to 490 ohm 3 W, HP P/N 0811-1801.

ERRATA:

In Appendix A, change figure A-1 Overvoltage Protection Crowbar to appear as shown below.

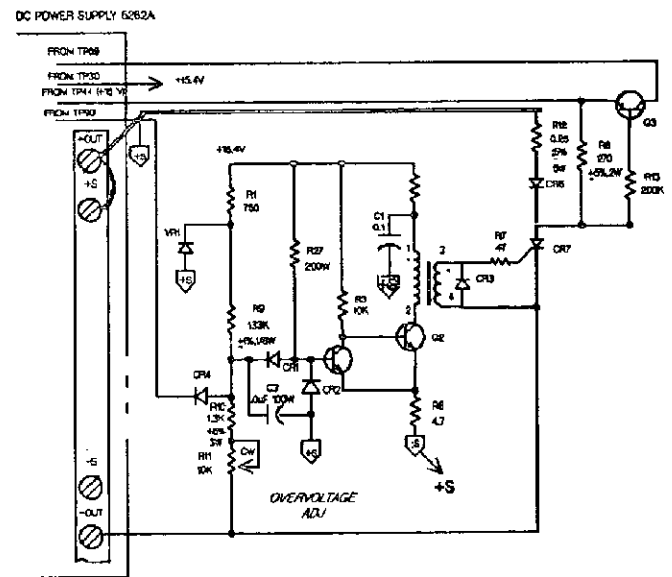
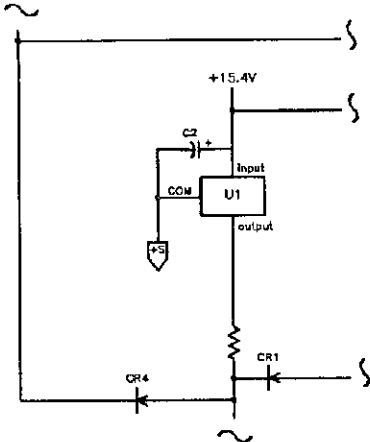


Figure A-1. Model 6282A, Overvoltage Protection "Crowbar"

CHANGE 20:

In the replaceable parts list, page A-2 delete R1, VR1; add U1, voltage regulator, HP P/N 1826-0276 and C2, fxd elect. 1 uF, 50 V, HP P/N 0180-0230; change R9 to 1.5 k HP P/N 0757/0427. In Figure A-1, delete R1, VR1 and add U1, C2 as shown below.



CHANGE 21:

In the parts list, change the HP P/N for the binding posts and associated hardware to the following: Red binding post, qty 2, HP P/N 1510-0091; Terminal lug, qty 2, HP P/N 0360-0042; Lockwasher, qty. 2, HP P/N 2190-0079; Nut, qty 2, HP P/N 2500-0001; Black binding post, qty. 1, HP P/N 1510-0107; Terminal lug, qty. 1, HP P/N 0360-1190; Nut, qty 3, HP P/N 2950-0144.

CHANGE 22:

In the Option 011 Appendix, change R8 to 100 ohm 5%, 3W HP P/N 0813-0050. *This change also applies to the following serial numbers: 1927A, 3477, 3513, 3514, 3522, and 3523.

CHANGE 23:

In the replaceable parts list, page 6-6, change R855 to Variable 500 ohm, HP P/N 2100-0328.

CHANGE 24:

In the replaceable parts list, page 6-5, change Q400, 401 to HP P/N 1854-0245.

CHANGE 25:

In the replaceable parts list, page 6-7, change S1, HP P/N 3101-0984 (changed in CHANGE 4) to HP P/N 3101-2456.

CHANGE 26:

In the replaceable parts list, page A-2, change C2 (changed in CHANGE 20) to 2.2 uF, 20 V HP P/N 0180-0155; CR4 to HP P/N 1901-0701. Also add C32 .01 uF, 10% 100 V HP P/N 0160-4832. It is mounted between the cathode of CR1 and the anode of CR2. *This change also applies to the following serial numbers: 2117A, 3976, 3978, 3986, 3991, 4000, and 4001.

CHANGE 27:

In the replaceable parts list, page 6-6, change R605 to 6.8 k HP P/N 0757-0750.

CHANGE 28:

In the replaceable parts list, page 6-7, add the following mechanical parts; Barrier Strip Guard Assembly, HP P/N 5060-2862, qty 1.

CHANGE 29:

In the replaceable parts list, page 6-5, change Q400, Q401 to HP P/N 1854-1124, QTY 2 and Q303 to HP P/N 1854-1017, TQ 1.

ERRATA:

In the Operating and Service manual, for units with Option 040, add the following note.

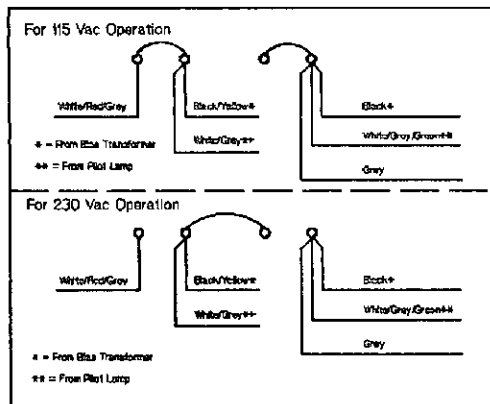
NOTE

When calibrated for Option 040, units may not meet full output voltage or current specification when used with the front panel potentiometer. This is due to the resistance tolerance of the potentiometer and the programming coefficient accuracy required for Option 040.

CHANGE 30:

In the replaceable parts list, change the part number for the bias transformer from HP P/N 9100-2184 to HP P/N 9100-4751 (qty 1). Note that the primary wiring colors have changed, the white/grey is now black/yellow and the grey is now black. See the following Figure.

Figure 28a - Transformer Connections



Control	Service Kit
Current (R809/810)	5060-3536
Voltage (R813/814)	06282-60005

ERRATA:

In Table 1-1 "Specifications", list only the following:

- Input (Voltage and Frequency only)
- Line Regulation
- Load Regulation
- Output
- Ripple and Noise
- Transient Recovery Time

Change the definition of all other parameters in Table 1-1 from "Specifications" to "Supplemental Characteristics". "Supplemental Characteristics" are type tested or typical values based on product sampling. While representative, Supplemental Characteristics are NOT guaranteed for all instruments. The Specifications (listed above) are guaranteed, factory tested prior to shipment, and can be verified for MIL STD "A" calibration.

CHANGE 31:

In the replaceable parts list, add resistor R320, 1k, 0.5W, HP P/N 0686-1025. On the schematic diagram, connect R320 in series with C302 (between C302 and the junction of CR300/CR301). Resistor R320 prevents oscillation in the CC mode.

CHANGE 32:

In the replaceable parts list, change the part number for Q851 from HP P/N 1854-0221 to HP P/N 1854-0229 (qty 1).

CHANGE 33

On page 6-6 of the parts list, change R809/810 to 2k, var, 10-turn, HP P/N 2100-2029. Change R813/814 to 5k, var, 10-turn, HP P/N 2100-1865. Add R100A, 3k, fxd, 3W, P/N 0812-0010 and R200A, fxd, 5k, 5W, HP P/N 0811-2188.

On page 6-7, delete Knob pointer, 5/8 dia, qty 2, P/N 0370-0101, Knob 5/8 dia black HP P/N 0370-0084, and Knob 1/2 dia, red, HP P/N 0370-0100. Add Knob pointer, gray, HP P/N 0370-1099 and Knob base rnd HP P/N 0370-1091.

On the schematic, indicate that dual-control potentiometers R813/814 and R809/810 (in the voltage and current control circuits) are replaced with the single 10-turn potentiometers as previously described. In the Current Control circuit, add R100A (previously described) in parallel with R809/810 across terminals A1 and A6 and add R200A (previously described) in parallel with R813/814 across terminals A3 and -S.

If either one of the older controls must be replaced, it is recommended that both controls be changed to the new part numbers. The following service kits are available for replacing these controls in the field:

CHANGE 34:

In the parts list, change Q400 and Q401 from HP p/n 1854-1124 (see change 29) to HP p/n 1854-0245. Also change C800 from HP p/n 0180-1894 to 5603-2341.

CHANGE 35:

Add the following parts to the parts list and schematic diagram:
 C996, 0.047uF, 20%, 250V, p/n 0160-4323
 R996, 10M ohm, 5%, 0.5W, p/n 0686-1065
 These components are electrically connected in parallel across the AC and ACC input terminals.

To comply with CE96 standards, the following information is provided for Appendix A, page A-1:

NOTE:

This note only applies to instruments with an overvoltage protection circuit (option 011).
 If an electrostatic discharge (ESD) pulse is applied to the output terminals, the overvoltage protection circuit may trip. This will turn the output off. If this occurs, cycle power to the instrument to restore normal operation.

CHANGE 36:

Already implemented in change #29.

SAFETY SUMMARY

The following general safety precautions must be observed during all phases of operation, service, and repair of this instrument. Failure to comply with these precautions or with specific warnings elsewhere in this manual violates safety standards of design, manufacture, and intended use of the instrument. Hewlett-Packard Company assumes no liability for the customer's failure to comply with these requirements.

BEFORE APPLYING POWER.

Verify that the product is set to match the available line voltage and the correct fuse is installed.

GROUND THE INSTRUMENT.

This product is a Safety Class 1 instrument (provided with a protective earth terminal). To minimize shock hazard, the instrument chassis and cabinet must be connected to an electrical ground. The instrument must be connected to the ac power supply mains through a three-conductor power cable, with the third wire firmly connected to an electrical ground (safety ground) at the power outlet. For instruments designed to be hard-wired to the ac power lines (supply mains), connect the protective earth terminal to a protective conductor before any other connection is made. Any interruption of the protective (grounding) conductor or disconnection of the protective earth terminal will cause a potential shock hazard that could result in personal injury. If the instrument is to be energized via an external autotransformer for voltage reduction, be certain that the autotransformer common terminal is connected to the neutral (earthed pole) of the ac power lines (supply mains).

FUSES

Only fuses with the required rated current, voltage, and specified type (normal blow, time delay, etc.) should be used. Do not use repaired fuses or short circuited fuseholders. To do so could cause a shock or fire hazard.

DO NOT OPERATE IN AN EXPLOSIVE ATMOSPHERE.

Do not operate the instrument in the presence of flammable gases or fumes.

KEEP AWAY FROM LIVE CIRCUITS.

Operating personnel must not remove instrument covers. Component replacement and internal adjustments must be made by qualified service personnel. Do not replace components with power cable connected. Under certain conditions, dangerous voltages may exist even with the power cable removed. To avoid injuries, always disconnect power, discharge circuits and remove external voltage sources before touching components.

DO NOT SERVICE OR ADJUST ALONE.

Do not attempt internal service or adjustment unless another person, capable of rendering first aid and resuscitation, is present.

Instruments which appear damaged or defective should be made inoperative and secured against unintended operation until they can be repaired by qualified service personnel.

DO NOT EXCEED INPUT RATINGS.

This instrument may be equipped with a line filter to reduce electromagnetic interference and must be connected to a properly grounded receptacle to minimize electric shock hazard. Operation at line voltages or frequencies in excess of those stated on the data plate may cause leakage currents in excess of 5.0 mA peak.

SAFETY SYMBOLS.



Instruction manual symbol: the product will be marked with this symbol when it is necessary for the user to refer to the instruction manual (refer to Table of Contents).



Indicates hazardous voltages.



or



Indicate earth (ground) terminal.



or



The WARNING sign denotes a hazard. It calls attention to a procedure, practice, or the like, which, if not correctly performed or adhered to, could result in personal injury. Do not proceed beyond a WARNING sign until the indicated conditions are fully understood and met.



The CAUTION sign denotes a hazard. It calls attention to an operating procedure, or the like, which, if not correctly performed or adhered to, could result in damage to or destruction of part or all of the product. Do not proceed beyond a CAUTION sign until the indicated conditions are fully understood and met.

DO NOT SUBSTITUTE PARTS OR MODIFY INSTRUMENT.

Because of the danger of introducing additional hazards, do not install substitute parts or perform any unauthorized modification to the instrument. Return the instrument to a Hewlett-Packard Sales and Service Office for service and repair to ensure that safety features are maintained.

ACOUSTIC NOISE INFORMATION

HP Model 6282A has been tested in accordance with German acoustic noise specification 3.GSGV. The results of these tests are listed below.

ACOUSTIC NOISE EMISSION

LpA < 70 dB
operator position
normal operation
per ISO 7779
No fan installed

GERAeUSCHEMISSION

LpA < 70 dB
am Arbeitsplatz
normaler Betrieb
nach DIN 45635 T. 19
Kein Ventilator eingebaut

TABLE OF CONTENTS

Section	Page No.	Section	Page No.
I GENERAL INFORMATION	1-1	IV PRINCIPLES OF OPERATION	
1-1 Description	1-1	4-8 Simplified Schematic	4-3
1-6 Specifications	1-1	4-10 Detailed Circuit Analysis	4-3
1-8 Options	1-1	4-11 Preregulator and Control Circuit	4-3
1-10 Accessories	1-2	4-19 Series Regulator	4-5
1-12 Instrument Identification	1-2	4-21 Constant Voltage Input Circuit	4-5
1-15 Ordering Additional Manuals	1-2	4-26 Constant Current Input Circuit	4-6
		4-31 Gating Circuit	4-7
		4-34 Error Amplifiers	4-7
II INSTALLATION	2-1	4-37 Fault Input Circuit	4-7
2-1 Initial Inspection	2-1	4-42 Reference Circuit	4-8
2-3 Mechanical Check	2-1	4-46 Meter Circuit	4-8
2-5 Electrical Check	2-1		
2-7 Installation Data	2-1	V MAINTENANCE	5-1
2-9 Location	2-1	5-1 Introduction	5-1
2-11 Rack Mounting	2-1	5-3 General Measurement Techniques	5-1
2-15 Input Power Requirements	2-2	5-8 Test Equipment Required	5-1
2-17 50Hz Operation	2-2	5-10 Performance Test	5-3
2-19 Power Cable	2-2	5-12 Constant Voltage Tests	5-4
2-22 Repackaging for Shipment	2-2	5-21 Constant Current Tests	5-6
		5-25 Troubleshooting	5-6
		5-27 Trouble Analysis	5-7
III OPERATING INSTRUCTIONS	3-1	5-34 Repair and Replacement	5-7
3-1 Operating Controls and Indicators	3-1	5-36 Adjustment and Calibration	5-13
3-3 Operating Modes	3-1	5-38 Meter Zero	5-13
3-5 Normal Operating Mode	3-1	5-40 Voltmeter Tracking	5-13
3-7 Constant Voltage	3-1	5-42 Ammeter Tracking	5-13
3-9 Constant Current	3-1	5-44 Constant Voltage Programming Current	5-14
3-11 Connecting Load	3-2	5-46 Constant Current Programming Current	5-14
3-14 Operation of Supply Beyond Rated Output	3-2	5-48 Overvoltage Trip	5-14
3-16 Optional Operating Modes	3-2	5-50 Transient Recovery Time	5-14
3-17 Remote Programming, Constant Voltage	3-2	5-52 Preregulator Tracking (60 Hz Operation)	5-14
3-24 Remote Programming, Constant Current	3-3	5-54 Preregulator Tracking (50 Hz Operation)	5-14
3-30 Remote Sensing	3-3		
3-35 Series Operation	3-4	VI REPLACEABLE PARTS	6-1
3-39 Parallel Operation	3-5	6-1 Introduction	6-1
3-42 Auto-Tracking Operation	3-5	6-4 Ordering Information	6-1
3-45 Special Operating Considerations	3-6	Reference Designators	
3-46 Pulse Loading	3-6	Abbreviations	
3-48 Output Capacitance	3-6	Manufacturers	
3-51 Reverse Voltage Loading	3-6	6-8 Code List of Manufacturers Parts List Table	6-2
3-53 Reverse Current Loading	3-6		
IV PRINCIPLES OF OPERATION	4-1		
4-1 Overall Block Diagram Discussion	4-1		

SECTION I
GENERAL INFORMATION

1-1 DESCRIPTION

1-2 This power supply, is completely transistorized and suitable for either bench or relay rack operation. It is a compact, well-regulated, Constant Voltage / Constant Current supply that will furnish full rated output voltage at the maximum rated output current or can be continuously adjusted throughout the output range. The front panel CURRENT controls can be used to establish the output current limit (overload or short circuit) when the supply is used as a constant voltage source and the VOLTAGE control can be used to establish the voltage limit (ceiling) when the supply is used as a constant current source. The supply will automatically crossover from constant voltage to constant current operation and vice versa if the output current or voltage exceeds these preset limits.

1-3 The power supply has both front and rear terminals. Either the positive or negative output terminal may be grounded or the power supply can be operated floating at up to a maximum of 300 volts off ground.

1-4 A single meter is used to measure either output voltage or output current in one of two ranges. The voltage or current ranges are selected by a METER switch on the front panel.

1-5 Barrier strip terminals located at the rear of the unit allow ease in adapting to the many operational capabilities of the power supply. A brief description of these capabilities is given below:

a. Remote Programming

The power supply may be programmed from a remote location by means of an external voltage source or resistance.

b. Remote Sensing

The degradation in regulation which would occur at the load because of the voltage drop in the load leads can be reduced by using the power supply in the remote sensing mode of operation.

c. Series and Auto-Series Operation

Power supplies may be used in series when a higher output voltage is required in the voltage mode of operation or when greater voltage compliance is required in the constant current mode of operation. Auto-Series operation permits one knob control of the total output voltage from a "master" supply.

d. Parallel and Auto-Parallel Operation

The power supply may be operated in parallel with a similar unit when greater output current capability is required. Auto-Parallel operation permits one knob control of the total output current from a "master" supply.

e. Auto-Tracking

The power supply may be used as a "master" supply, having control over one (or more) "slave" supplies that furnish various voltages for a system.

1-6 SPECIFICATIONS

1-7 Detailed specifications for the power supply are given in Table 1-1.

1-8 OPTIONS

1-9 Options are factory modifications of a standard instrument that are requested by the customer. The following options are available for the instrument covered by this manual. Where necessary, detailed coverage of the options is included throughout the manual.

<u>Option No.</u>	<u>Description</u>
05	50 Hz Regulator Realignment: Standard instruments will operate satisfactorily at both 60 and 50 Hz without adjustment. However Option 05 factory realignment results in more efficient operation at 50 Hz, and is recommended for all applications when continuous operation from a 50 Hz ac input is intended.

<u>Option No.</u>	<u>Description</u>
07	Voltage 10-Turn Control: A single control that replaces both coarse and fine voltage controls and improves output settability.
08	Current 10-Turn Control: A single control that replaces both coarse and fine current controls and improves output settability.
09	Voltage and Current 10-Turn Controls: Options 07 and 08 on same instrument.
11	Internal Overvoltage Protection "Crowbar". Operating and Service information is included in Appendix A at the rear of the manual.
13	Three Digit Graduated Decadial Voltage Control: Control that replaces 10-turn voltage control permitting accurate resettability.
14	Three Digit Graduated Decadial Current Control: Control that replaces coarse and fine current controls permitting accurate resettability.
18	230V AC, Single Phase, Input: Supply is shipped for 115V ac operation. Option 18 consists of modifying the supply for 230Vac operation.

1-10 ACCESSORIES

1-11 The accessories listed in the following chart may be ordered with the power supply or separately from your local Hewlett-Packard field sales office (refer to list at rear of manual for ad-

resses).

<u>Part No.</u>	<u>Description</u>
14515A	Rack Kit for mounting one 5 $\frac{1}{4}$ " high supply. (Refer to Section II for details.)
14525A	Rack Kit for mounting two 5 $\frac{1}{4}$ " high supplies. (Refer to Section II for details.)

1-12 INSTRUMENT IDENTIFICATION

1-13 Hewlett-Packard power supplies are identified by a three-part serial number tag. The first part is the power supply model number. The second part is the serial number prefix, which consists of a number-letter combination that denotes the date of a significant design change. The number designates the year, and the letter A through M designates the month, January through December respectively. The third part is the power supply serial number.

1-14 If the serial number prefix on your power supply does not agree with the prefix on the title page of this manual, change sheets are included to update the manual. Where applicable, back-dating information is given in an appendix at the rear of the manual.

1-15 ORDERING ADDITIONAL MANUALS

1-16 One manual is shipped with each power supply. Additional manuals may be purchased from your local Hewlett-Packard field office (see list at rear of this manual for addresses). Specify the model number, serial number prefix, and stock number provided on the title page.

Table 1-1. Specifications

<p>INPUT: 105-125 VAC, single phase, 50-60Hz, 3.5A, 200W.</p>	<p>including a direct short placed across the terminals in constant voltage operation. The constant voltage circuit limits the output voltage in the constant current mode of operation.</p>
<p>OUTPUT: 0-10 volts @ 0-10 amps.</p>	<p>METER: The front panel meter can be used as either a 0-12 or 0-1.2 volt voltmeter or as a 0-12 or 0-1.2 amp ammeter.</p>
<p>LOAD REGULATION: <u>Constant Voltage</u> -- Less than 0.01% plus 1mV for a full load to no load change in output current. <u>Constant Current</u> -- Less than 0.05% plus 1mA for a zero to maximum change in output voltage.</p>	<p>OUTPUT CONTROLS: Coarse and fine voltage controls and coarse and fine current controls provide continuous adjustment over the entire output span.</p>
<p>LINE REGULATION: <u>Constant Voltage</u> -- Less than 0.01% plus 1mV for any line voltage change within the input rating. <u>Constant Current</u> -- Less than 0.05% plus 1mA for any line voltage change within the input rating.</p>	<p>OUTPUT TERMINALS: Three "five-way" output posts are provided on the front panel and an output terminal strip is located on the rear of the chassis. All power supply output terminals are isolated from the chassis and either the positive or negative terminal may be connected to the chassis through a separate ground terminal. If the front panel terminals are used, the load regulation will be 0.5mV per ampere greater, due to the front terminal resistance.</p>
<p>RIPPLE AND NOISE: <u>Constant Voltage</u> -- Less than 500µV rms. <u>Constant Current</u> -- Less than 5mA rms.</p>	<p>ERROR SENSING: Error sensing is normally accomplished at the front terminals if the load is attached to the front or at the rear terminals if the load is attached to the rear terminals. Also, provision is included on the rear terminal strip for remote sensing.</p>
<p>OPERATING TEMPERATURE RANGES: Operating: 0 to 50°C. Storage: -20 to +85°C.</p>	<p>REMOTE PROGRAMMING: Remote programming of the supply output at approximately 200 ohms per volt in constant voltage is made available at the rear terminals. In constant current mode of operation, the current can be remotely programmed at approximately 100 ohms per ampere.</p>
<p>TEMPERATURE COEFFICIENT: <u>Constant Voltage</u> -- Less than 0.02% plus 500µV per degree Centigrade. <u>Constant Current</u> -- Less than 0.02% plus 5mA per degree Centigrade.</p>	<p>COOLING: Convection cooling is employed. The supply has no moving parts.</p>
<p>STABILITY: <u>Constant Voltage</u> -- Less than 0.10% plus 2.5mV total drift for 8 hours after an initial warm-up time of 30 minutes at constant ambient, constant line voltage, and constant load. <u>Constant Current</u> -- Less than 0.10% plus 25mA total drift for 8 hours after an initial warm-up time of 30 minutes at constant ambient, constant line voltage, and constant load.</p>	<p>SIZE: 5½" H x 16" D x 8½" W. Two of the units can be mounted side by side in a standard 19" relay rack.</p>
<p>INTERNAL IMPEDANCE AS A CONSTANT VOLTAGE SOURCE: Less than 0.001 ohm from DC to 100Hz. Less than 0.01 ohm from 100Hz to 1kHz. Less than 0.2 ohm from 1kHz to 100kHz. Less than 2.0 ohms from 100 kHz to 1 MHz.</p>	<p>WEIGHT: 25 lbs. net, 32 lbs. shipping.</p>
<p>TRANSIENT RECOVERY TIME: Less than 50µsec for output recovery to within 15 mv following a current change in the output equal to the current rating of the supply or 5 amperes, whichever is smaller.</p>	<p>FINISH: Light gray front panel with dark gray case.</p>
<p>OVERLOAD PROTECTION: A continuously acting constant current circuit protects the power supply for all overloads</p>	<p>POWER CORD: A three-wire, five-foot power cord is provided with each unit.</p>

SECTION II INSTALLATION

2-1 INITIAL INSPECTION

2-2 Before shipment, this instrument was inspected and found to be free of mechanical and electrical defects. As soon as the instrument is unpacked, inspect for any damage that may have occurred in transit. Save all packing materials until the inspection is completed. If damage is found, proceed as described in the Claim for Damage in Shipment section of the warranty page at the rear of this manual.

2-3 MECHANICAL CHECK

2-4 This check should confirm that there are no broken knobs or connectors, that the cabinet and panel surfaces are free of dents and scratches, and that the meter is not scratched or cracked.

2-5 ELECTRICAL CHECK

2-6 The instrument should be checked against its electrical specifications. Section V includes an "in-cabinet" performance check to verify proper instrument operation.

2-7 INSTALLATION DATA

2-8 The instrument is shipped ready for bench operation. It is necessary only to connect the in-

strument to a source of power and it is ready for operation.

2-9 LOCATION

2-10 This instrument is air cooled. Sufficient space should be allotted so that a free flow of cooling air can reach the sides and rear of the instrument when it is in operation. It should be used in an area where the ambient temperature does not exceed 50°C.

2-11 RACK MOUNTING

2-12 This instrument may be rack mounted in a standard 19 inch rack panel either alongside a similar unit or by itself. Figures 2-1 and 2-2 show how both types of installations are accomplished.

2-13 To mount two units side-by-side, proceed as follows:

- Remove the four screws from the front panels of both units.
- Slide rack mounting ears between the front panel and case of each unit.
- Slide combining strip between the front panels and cases of the two units.
- After fastening rear portions of units together using the bolt, nut, and spacer, replace panel screws.

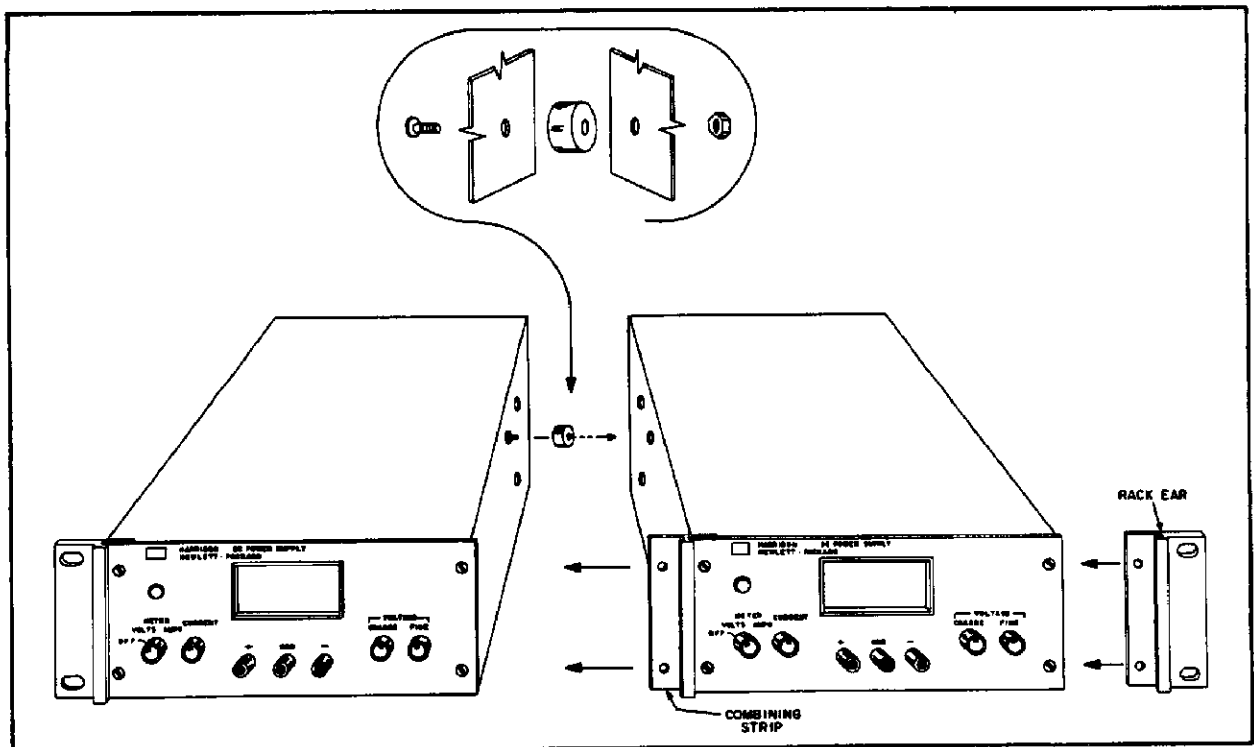


Figure 2-1. Rack Mounting, Two Units

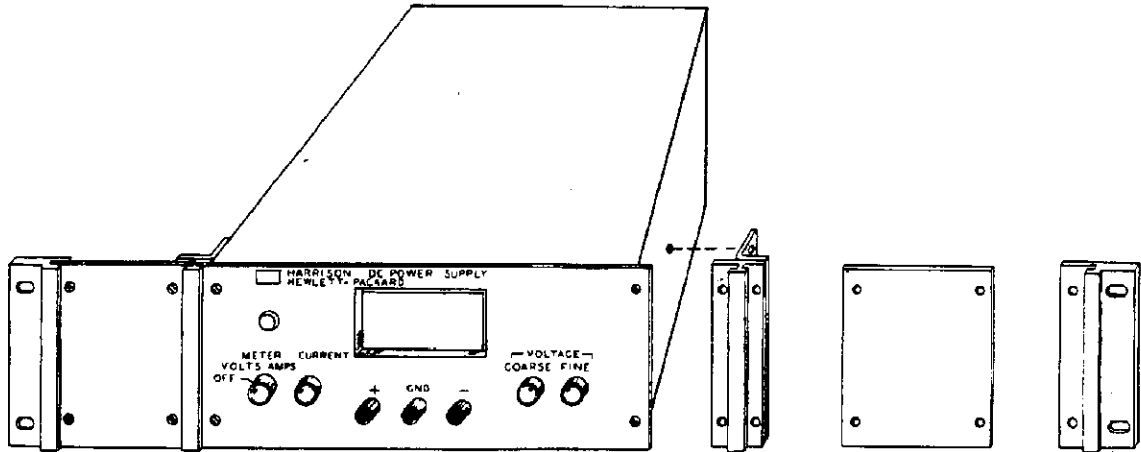


Figure 2-2. Rack Mounting, One Unit

2-14 To mount a single unit in the rack panel, proceed as follows:

- a. Bolt rack mounting ears, combining straps, and angle brackets to each side of center spacing panels. Angle brackets are placed behind combining straps as shown in Figure 2-2.
- b. Remove four screws from front panel of unit.
- c. Slide combining strips between front panel and case of unit.
- d. Bolt angle brackets to front sides of case and replace front panel screws.

2-15 INPUT POWER REQUIREMENTS

2-16 This power supply may be operated from either a nominal 115 volt or 230 volt 50-60 cycle power source. The unit, as shipped from the factory, is wired for 115 volt operation only. A factory modification (Option 18) must be made to permit operation from a 230 volt line. The input power required when operated from a 115 volt, 60 cycle power source at full load is given in the specification table in Section I.

2-17 50 Hz OPERATION

2-18 The unit as normally shipped from the factory can be operated from either a 50 or 60 Hz source. However, with a 50 Hz input, the operation of the unit may become somewhat degraded when the temperature exceeds 35° Centigrade (instead of the normal 50° Centigrade capability with a 60 Hz input). To permit optimum operation at 50 Hz, the unit must

be realigned. This realignment procedure is described in Paragraph 5-54 at the rear of the manual.

2-19 POWER CABLE

2-20 To protect operating personnel, the National Electrical Manufacturers' Association (NEMA) recommends that the instrument panel and cabinet be grounded. This instrument is equipped with a three conductor power cable. The third conductor is the ground conductor and when the cable is plugged into an appropriate receptacle, the instrument is grounded. The offset pin on the power cable three-prong connector is the ground connection.

2-21 To preserve the protection feature when operating the instrument from a two-contact outlet, use a three-prong to two-prong adapter and connect the green lead on the adapter to ground.

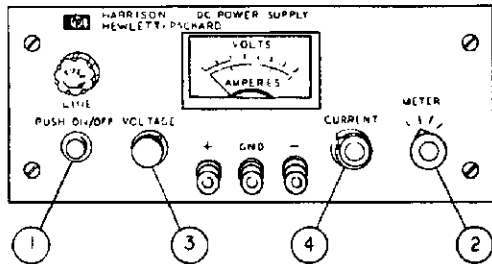
2-22 REPACKAGING FOR SHIPMENT

2-23 To insure safe shipment of the instrument, it is recommended that the package designed for the instrument be used. The original packaging material is reusable. If it is not available, contact your local Hewlett-Packard field office to obtain the materials. This office will also furnish the address of the nearest service office to which the instrument can be shipped. Be sure to attach a tag to the instrument which specifies the owner, model number, full serial number, and service required, or a brief description of the trouble.

SECTION III OPERATING INSTRUCTIONS

3-1 OPERATING CONTROLS AND INDICATORS

3-2 The front panel controls and indicators, together with the normal turn-on sequence, are shown in Figure 3-1.



TURN-ON SEQUENCE

1. PUSH ON/OFF BUTTON AND BUTTON SHOULD LIGHT.
2. SET METER SWITCH TO DESIRED VOLTAGE RANGE.
3. ADJUST COARSE AND FINE VOLTAGE CONTROLS UNTIL DESIRED OUTPUT VOLTAGE IS INDICATED ON METER.
4. SET METER SWITCH DESIRED CURRENT RANGE AND SHORT CIRCUIT OUTPUT TERMINALS.
5. ADJUST CURRENT CONTROLS FOR DESIRED OUTPUT CURRENT.
6. REMOVE SHORT AND CONNECT LOAD TO OUTPUT TERMINALS (FRONT OR REAR).

Figure 3-1. Front Panel Controls and Indicators

3-3 OPERATING MODES

3-4 The power supply is designed so that its mode of operation can be selected by making strapping connections between particular terminals on the terminal strip at the rear of the power supply. The terminal designations are stenciled in white on the power supply above their respective terminals. Although the strapping patterns illustrated in this section show the positive terminal grounded, the operator can ground either terminal or operate the power supply up to 300 vdc off ground (floating). The following paragraphs describe the procedures for utilizing the various operational capabilities of the power supply. A more theoretical description concerning the operational features of this supply is contained in a power supply Application Manual and in various Tech. Letters published by the Harrison Division. Copies of these can be obtained from your local Hewlett-Packard field office.

3-5 NORMAL OPERATING MODE

3-6 The power supply is normally shipped with its rear terminal strapping connections arranged for Constant Voltage/Constant Current, local sensing, local programming, single unit mode of operation. This strapping pattern is illustrated in Figure 3-2. The operator selects either a constant voltage or a constant current output using the front panel controls (local programming, no strapping changes are necessary).

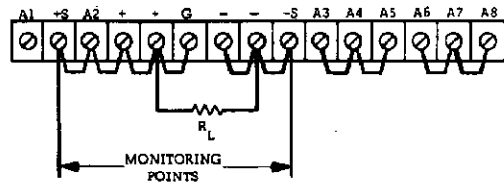


Figure 3-2. Normal Strapping Pattern

3-7 CONSTANT VOLTAGE

3-8 To select a constant voltage output, proceed as follows:

- a. Turn-on power supply and adjust VOLTAGE controls for desired output voltage (output terminals open).
- b. Short output terminals and adjust CURRENT controls for maximum output current allowable (current limit), as determined by load conditions. If a load change causes the current limit to be exceeded, the power supply will automatically crossover to constant current output at the preset current limit and the output voltage will drop proportionately. In setting the current limit, allowance must be made for high peak current which can cause unwanted cross-over. (Refer to Paragraph 3-46).

3-9 CONSTANT CURRENT

3-10 To select a constant current output, proceed as follows:

- a. Short output terminals and adjust CURRENT controls for desired output current.

b. Open output terminals and adjust VOLTAGE controls for maximum output voltage allowable (voltage limit), as determined by load conditions. If a load change causes the voltage limit to be exceeded, the power supply will automatically crossover to constant voltage output at the preset voltage limit and the output current will drop proportionately. In setting the voltage limit, allowance must be made for high peak voltages which can cause unwanted crossover. (Refer to Paragraph 3-46).

NOTE

When Model 6291A is operated continuously in the crossover region, between Constant Voltage/Constant Current, the feedback loop may break into oscillation; particularly in the 0.5A to 1.5A output current range. Although the crossover region is not usually an area of continuous operation, this problem can be eliminated, if necessary, by connecting the emitter of Q300 to +S (instead of to the emitter of Q301) and readjusting R307. Note that when this is done, the transient recovery time of Model 6291A must be derated to "50 μ sec for recovery to within 25mV" (instead of 15mV).

3-11 CONNECTING LOAD

3-12 Each load should be connected to the power supply output terminals using separate pairs of connecting wires. This will minimize mutual coupling effects between loads and will retain full advantage of the low output impedance of the power supply. Each pair of connecting wires should be as short as possible and twisted or shielded to reduce noise pickup. (If shield is used, connect one end to power supply ground terminal and leave the other end unconnected.)

3-13 If load considerations require that the output power distribution terminals be remotely located from the power supply, then the power supply output terminals should be connected to the remote distribution terminals via a pair of twisted or shielded wires and each load separately connected to the remote distribution terminals. For this case, remote sensing should be used (Paragraph 3-30).

3-14 OPERATION OF SUPPLY BEYOND RATED OUTPUT

3-15 The shaded area on the front panel meter face indicates the amount of output voltage or current that is available in excess of the normal output. Although the supply can be operated in this shaded region without being damaged, it cannot be guaranteed to meet all of its performance specifications. However, if the line voltage is maintained above 115 Vac, the supply will probably operate within its specifications.

3-16 OPTIONAL OPERATING MODES

3-17 REMOTE PROGRAMMING, CONSTANT VOLTAGE

3-18 The constant voltage output of the power supply can be programmed (controlled) from a remote location if required. Either a resistance or voltage source can be used for the programming device. The wires connecting the programming terminals of the supply to the remote programming device should be twisted or shielded to reduce noise pick-up. The VOLTAGE controls on the front panel are disabled according to the following procedures.

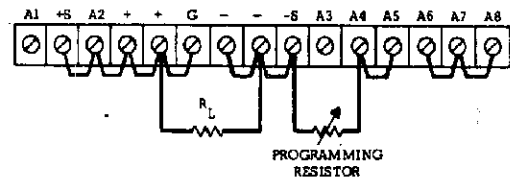


Figure 3-3. Remote Resistance Programming (Constant Voltage)

3-19 Resistance Programming (Figure 3-3). In this mode, the output voltage will vary at a rate determined by the programming coefficient, 200 ohms per volt (300 ohms per volt for Model 6296A). The output voltage will increase 1 volt for each 200 ohms (or 300 ohms) added in series with the programming terminals. The programming coefficient is determined by the programming current. This current is factory adjusted to within 2% of 5 ma (2% of 3.3 ma for Model 6296A). If greater programming accuracy is required, it may be achieved by changing resistor R806.

3-20 The output voltage of the power supply should be zero volts \pm 20 millivolts when zero ohms is connected across the programming terminals.

3-21 To maintain the stability and temperature coefficient of the power supply, use programming resistors that have stable, low noise, and low temperature (less than 30 ppm per degree Centigrade) characteristics. A switch can be used in conjunction with various resistance values in order to obtain discrete output voltages. The switch should have make-before-break contacts to avoid momentarily opening the programming terminals during the switching interval.

3-22 Voltage Programming (Figure 3-4). Employ the strapping pattern shown on Figure 3-4 for voltage programming. In this mode, the output voltage will vary in a 1 to 1 ratio with the pro-

programming voltage (reference voltage) and the load on the programming voltage source will not exceed 25 microamperes.

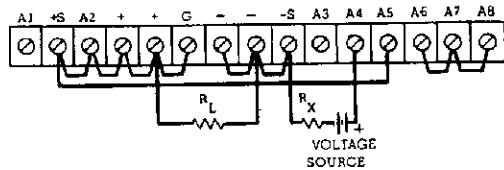


Figure 3-4. Remote Voltage Programming (Constant Voltage)

3-23 The impedance matching resistors (R_X) for the programming voltage source should be approximately 1000 ohms to maintain the temperature and stability specifications of the power supply.

3-24 REMOTE PROGRAMMING, CONSTANT CURRENT

3-25 Either a resistance or a voltage source can be used to control the constant current output of the supply. The CURRENT controls on the front panel are disabled according to the following procedures.

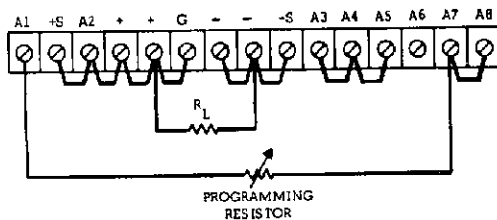


Figure 3-5. Remote Resistance Programming (Constant Current)

3-26 Resistance Programming (Figure 3-5). In this mode, the output current varies at a rate determined by the programming coefficient -- 100 ohms per ampere for Models 6282A and 6286A, 200 ohms per ampere for Models 6285A and 6291A, and 500 ohms per ampere for Models 6290A and 6296A. The programming coefficient is determined by the Constant Current programming current 1 mA for Models 6282A, 6285A, 6286A, and 6291A or 0.66 mA for Models 6290A and 6296A. This current is adjusted to within 10% at the factory. If greater programming accuracy is required, it may be achieved by changing resistor R808 as outlined in Section V.

3-27 Use stable, low noise, low temperature coefficient (less than 30 ppm/ $^{\circ}$ C) programming resistors to maintain the power supply temperature

coefficient and stability specifications. A switch may be used to set discrete values of output current. A make-before-break type of switch should be used since the output current will exceed the maximum rating of the power supply if the switch contacts open during the switching interval.

CAUTION

If the programming terminals (A1 and A7) should open at any time during this mode, the output current will rise to a value that may damage the power supply and/or the load. To avoid this possibility, connect a 1K resistor (1.5K for Models 6290A and 6296A) across the programming terminals. Like the programming resistor, this resistor should be of the low noise, low temperature coefficient type.

3-28 Voltage Programming (Figure 3-6). In this mode, the output current will vary linearly with changes in the programming voltage. The programming voltage should not exceed 1.5 volts. Voltage in excess of 1.5 volts will result in excessive power dissipation in the instrument and possible damage.

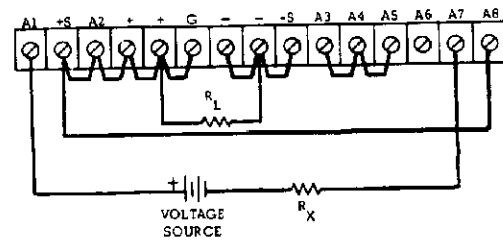


Figure 3-6. Remote Voltage Programming (Constant Current)

3-29 The output current will be the programming voltage divided by the internal current sampling resistance R800. The current required from the voltage source will be less than 10 microamperes. The impedance matching resistor (R_X) should be approximately 1000 ohms if the temperature coefficient and stability specifications of the power supply are to be maintained.

3-30 REMOTE SENSING (See Figure 3-7)

3-31 Remote sensing is used to maintain good regulation at the load and reduce the degradation of regulation which would occur due to the voltage drop in the leads between the power supply and the load. Remote sensing is accomplished by utilizing the strapping pattern shown in Figure 3-7. The power supply should be turned off before changing strapping patterns. It is not required

that these leads be as heavy as the load leads. However, they must be twisted or shielded to minimize noise pick-up.

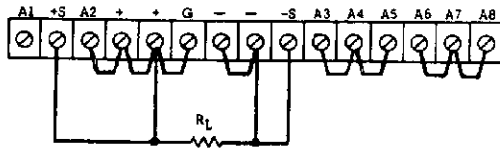


Figure 3-7. Remote Sensing

CAUTION

Observe polarity when connecting the sensing leads to the load,

3-32 Note that it is desirable to minimize the drop in the load leads and it is recommended that the drop not exceed 1 volt per lead if the power supply is to meet its DC specifications. If a larger drop must be tolerated, please consult a Hewlett-Packard field representative.

NOTE

Due to the voltage drop in the load leads, it may be necessary to re-adjust the current limit in the remote sensing mode.

3-33 The procedure just described will result in a low DC output impedance at the load. If a low AC impedance is required, it is recommended that the following precautions be taken:

- a. Disconnect output capacitor C803 by disconnecting the strap between A2 and +S.
- b. Connect a capacitor having similar characteristics (approximately same capacitance, same voltage rating or greater, and having good high frequency characteristics) across the load using short leads.

3-34 Although the strapping patterns shown in Figures 3-3 through 3-6 employ local sensing, note that it is possible to operate a power supply simultaneously in the remote sensing and Constant Voltage/Constant Current remote programming modes.

3-35 **SERIES OPERATION**

3-36 Normal Series Connections (Figure 3-8).

Two or more power supplies can be operated in series to obtain a higher voltage than that available from a single supply. When this connection

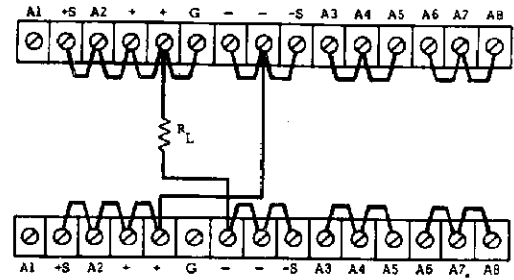


Figure 3-8. Normal Series Connections

is used, the output voltage is the sum of the voltages of the individual supplies. Each of the individual supplies must be adjusted in order to obtain the total output voltage. The power supply contains a protective diode connected internally across the output which protects the supply if one power supply is turned off while its series partner(s) is on.

3-37 Auto-Series Connections (Figure 3-9): The Auto-Series configuration is used when it is desirable to have the output voltage of each of the series connected supplies vary in accordance with the setting of a control unit. The control unit is called the master; the controlled units are called slaves. At maximum output voltage, the voltage of the slaves is determined by the setting of the front panel VOLTAGE control on the master. The master supply must be the most positive supply of the series. The output CURRENT controls of all series units are operative and the current limit is equal to the lowest control setting. If any output CURRENT controls are set too low, automatic crossover to constant current operation will occur and the output voltage will drop. Remote sensing and programming can be used; however, the strapping arrangements shown in the applicable figures show local sensing and programming.

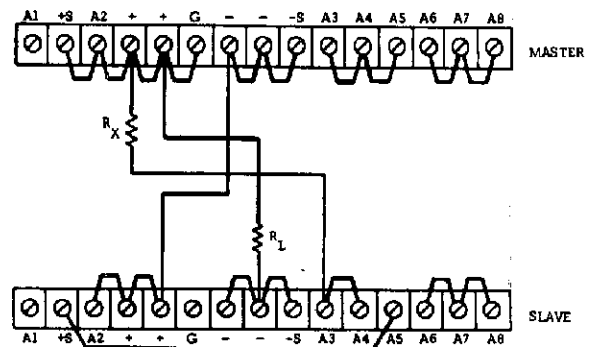


Figure 3-9. Auto-Series, Two Units

3-38 In order to maintain the temperature coefficient and stability specifications of the power supply, the external resistor (R_x) shown in Figure 3-9 should be stable, low noise, low temperature coefficient (less than 30 ppm per degree Centigrade) resistors. The value of this resistor is dependant on the maximum voltage rating of the "master" supply. The value of R_x is this voltage divided by the voltage programming current of the slave supply ($1/K_p$ where K_p is the voltage programming coefficient). The voltage contribution of the slave is determined by its voltage control setting.

3-39 PARALLEL OPERATION

3-40 Normal Parallel Connections (Figure 3-10). Two or more power supplies can be connected in parallel to obtain a total output current greater than that available from one power supply. The total output current is the sum of the output currents of the individual power supplies. The output CURRENT controls of each power supply can be separately set. The output voltage controls of one power supply should be set to the desired output voltage; the other power supply should be set for a slightly larger output voltage. The supply set to the lower output voltage will act as a constant voltage source; the supply set to the higher output will act as a constant current source, dropping its output voltage until it equals that of the other supply. The constant voltage source will deliver only that fraction of its total rated output current which is necessary to fulfill the total current demand.

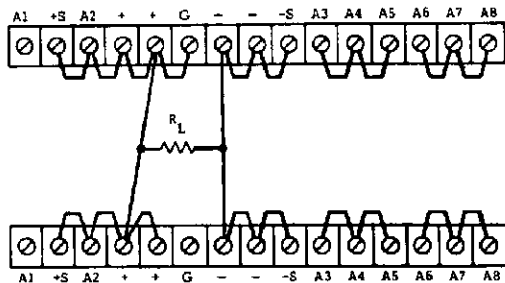


Figure 3-10. Normal Parallel Connections

3-41 Auto-Parallel. The strapping patterns for Auto-parallel operation of two power supplies are shown in Figure 3-11. Auto-Parallel operation permits equal current sharing under all load conditions, and allows complete control of output current from one master power supply. The output current of each slave will be approximately equal

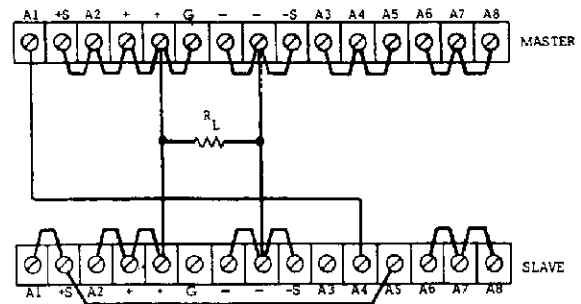
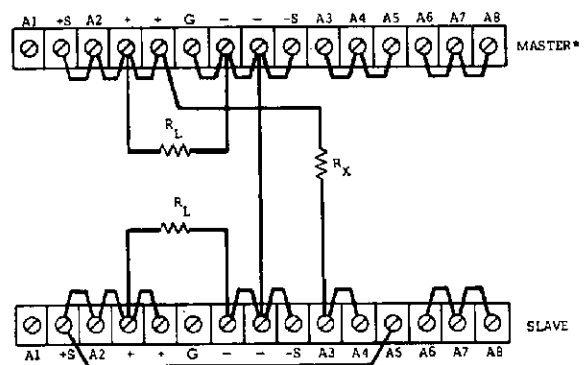


Figure 3-11. Auto-Parallel, Two Units

to the master's regardless of the load conditions. Because the output current controls of each slave are operative, they should be set to maximum to avoid having the slave revert to constant current operation; this would occur if the master output current setting exceeded the slave's.

3-42 AUTO-TRACKING OPERATION (See Figure 3-12)



*MASTER MUST BE MOST POSITIVE SUPPLY

Figure 3-12. Auto-Tracking, Two Units

3-43 The Auto-Tracking configuration is used when it is necessary that several different voltages referred to a common bus, vary in proportion to the setting of a particular instrument (the control or master). A fraction of the master's output voltage is fed to the comparison amplifier of the slave supply, thus controlling the slave's output. The master must have the largest output voltage of any power supply in the group (must be the most positive supply in the example shown on Figure 3-12).

3-44 The output voltage of the slave is a percentage of the master's output voltage, and is determined by the voltage divider consisting of R_x and the voltage control of the slave supply, R_p , where: $E_S = R_p/R_x + R_p$. Turn-on and turn-off the power supplies is controlled by the master. Remote sensing and programming can be used; although the strapping patterns for these modes show only local sensing and programming. In order to maintain the temperature coefficient and stability specifications of the power supply, the external resistors should be stable, low noise, low temperature (less than 30 ppm per °C) resistors.

3-45 SPECIAL OPERATING CONSIDERATIONS

3-46 PULSE LOADING

3-47 The power supply will automatically cross over from constant voltage to constant current operation, or the reverse, in response to an increase (over the preset limit) in the output current or voltage, respectively. Although the preset limit may be set higher than the average output current or voltage, high peak currents or voltages (as occur in pulse loading) may exceed the preset limit and cause crossover to occur. If this crossover limiting is not desired, set the preset limit for the peak requirement and not the average.

3-48 OUTPUT CAPACITANCE

3-49 An internal capacitor, connected across the output terminals of the power supply, helps to supply high-current pulses of short duration during constant voltage operation. Any capacitance added externally will improve the pulse current capability, but will decrease the safety provided by the constant current circuit. A high-current pulse may damage load components before the average output

current is large enough to cause the constant current circuit to operate.

3-50 The effects of the output capacitor during constant current operation are as follows:

- a. The output impedance of the power supply decreases with increasing frequency.
- b. The recovery time of the output voltage is longer for load resistance changes.
- c. A large surge current causing a high power dissipation in the load occurs when the load resistance is reduced rapidly.

3-51 REVERSE VOLTAGE LOADING

3-52 A diode is connected across the output terminals. Under normal operating conditions, the diode is reverse biased (anode connected to negative terminal). If a reverse voltage is applied to the output terminals (positive voltage applied to negative terminal), the diode will conduct, shunting current across the output terminals and limiting the voltage to the forward voltage drop of the diode. This diode protects the series transistors and the output electrolytic capacitor.

3-53 REVERSE CURRENT LOADING

3-54 Active loads connected to the power supply may actually deliver a reverse current to the power supply during a portion of its operating cycle. An external source cannot be allowed to pump current into the supply without loss of regulation and possible damage to the output capacitor. To avoid these effects, it is necessary to preload the supply with a dummy load resistor so that the power supply delivers current through the entire operating cycle of the load device.

SECTION IV
PRINCIPLES OF OPERATION

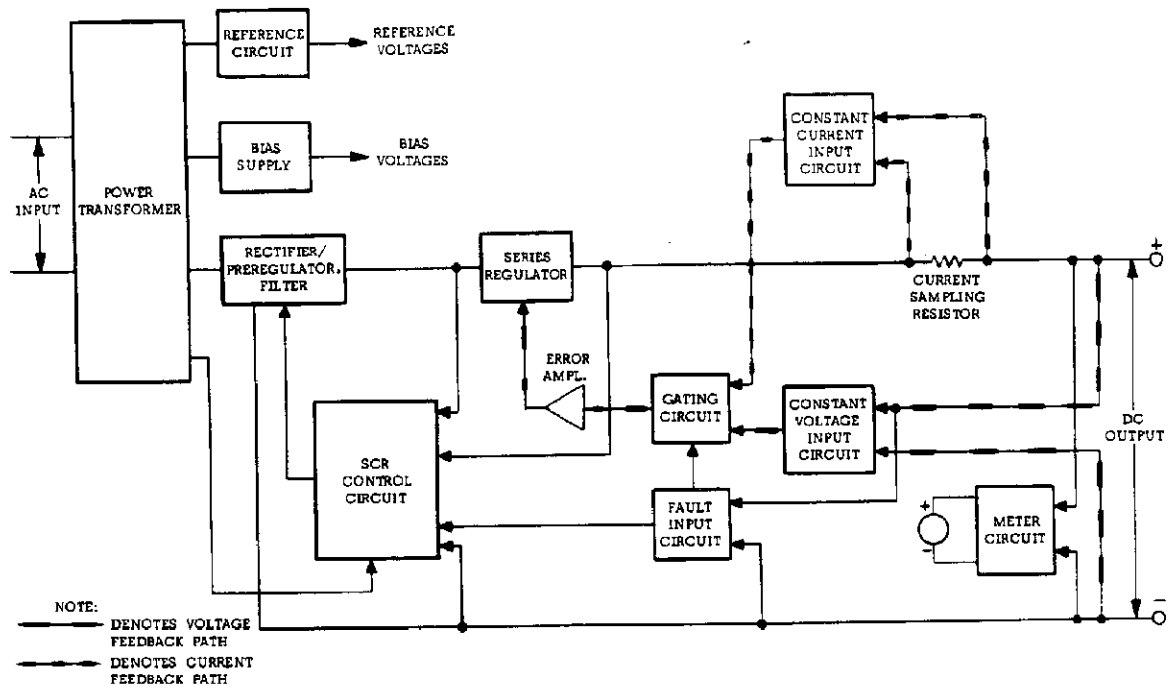


Figure 4-1. Overall Block Diagram

4-1 OVERALL BLOCK DIAGRAM DISCUSSION

4-2 The power supply, as shown on the overall block diagram on Figure 4-1, consists of a power transformer, a rectifier-preregulator-filter, preregulator (SCR) control circuit, series regulator, error amplifiers, gating circuit, a constant voltage input circuit, a constant current input circuit, a fault input circuit, a reference circuit, bias supply, and a meter circuit.

4-3 The input line voltage is reduced to the proper level by the power transformer and coupled to a rectifier bridge consisting of two rectifier diodes and two SCR's. The bridge simultaneously performs the necessary rectifying and preregulating functions. The SCR's, operating in conjunction with a control circuit, minimize the power dissipated by the series regulator by keeping the voltage drop across the regulator at a low and constant level. The SCR control circuit accom-

plishes this by issuing a firing pulse to one of the SCR's once during each half cycle of the input ac. The control circuit continuously samples the output voltage, the input line voltage, and the voltage across the series regulator and, on the basis of these inputs, determines at what time during each half cycle that the firing pulse will be generated.

4-4 The series regulator, part of another feedback loop, is made to alter its conduction to maintain a constant output voltage or current. Its conduction varies in accordance with feedback control signals obtained from the error amplifier. It should be noted that the series regulator provides fine and "fast" regulation of the output, while the preregulator handles large relatively "slow" regulation demands. The dc current from the series regulator passes through a current sampling resistor before reaching the positive output terminal.

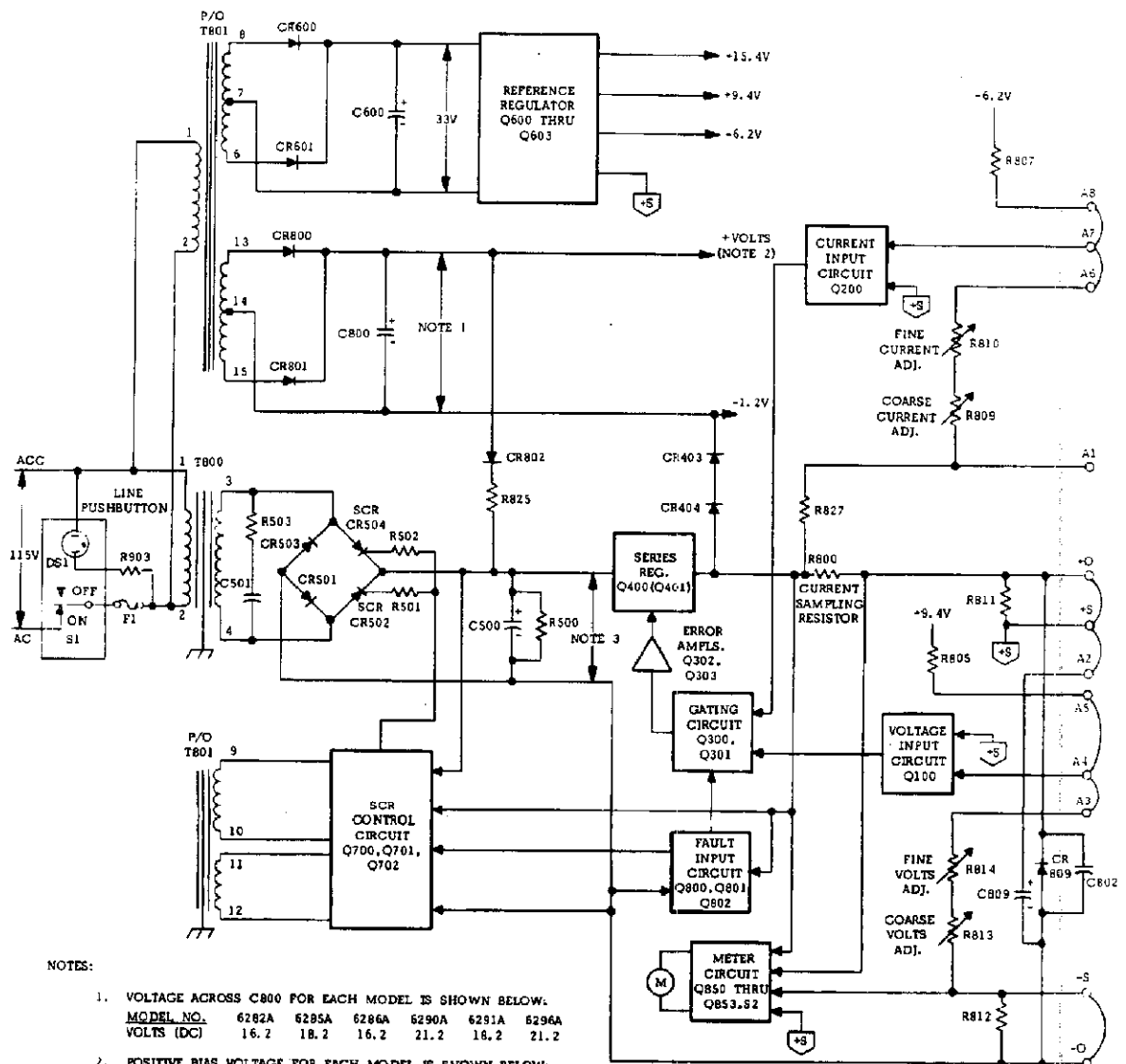


Figure 4-2. Simplified Schematic

4-5 The feedback signals that control the conduction of the series regulator are originated within the constant voltage input circuit or the constant current input circuit. The output voltage of the power supply is sampled by the constant voltage input circuit by means of the sensing terminals ($\pm S$). The voltage developed across the current sampling resistor is the input to the constant current input circuit. This voltage drop varies in direct proportion to the output current. Any changes in output voltage/current are detected in the constant voltage/constant current input circuit, amplified by the gating and error amplifiers, and applied to the series regulator in the correct phase and amplitude to counteract the changes.

4-6 The fault input circuit detects the presence of overvoltage or overcurrent conditions and generates the necessary turn-down signals to the SCR control circuit or the series regulator circuit. In the case of an overvoltage condition, a turn-down signal is applied to the SCR control circuit. The series regulator receives a turn-down signal via the gating circuit if an overcurrent condition is detected.

4-7 The reference circuit provides stable reference voltages which are used by the constant voltage/current input circuits for comparison purposes. The bias supply furnishes voltages which are used throughout the instrument for biasing purposes. The meter circuit provides an indication of output voltage or current in one of two ranges.

4-8 SIMPLIFIED SCHEMATIC

4-9 A simplified schematic of the power supply is shown in Figure 4-2. It shows the operating controls; the ON-off pushbutton, the voltage programming controls (R813 and R814) and the current programming controls (R809 and R810). The METER switch, included in the meter circuit block on Figure 4-2, allows the meter to read output voltage or current in one of two ranges. Figure 4-2 also shows the internal sources of bias and reference voltages and their nominal magnitudes with an input of 115Vac and no load connected. Diode CR809, connected across the output terminals of the power supply, is a protective device which prevents internal damage that might occur if a reverse voltage were applied across the output terminals. Output capacitor, C809 stabilizes the feedback loop when the normal strapping pattern shown in Figure 4-2 is employed. Note that this capacitor can be removed if an increase in the programming speed is desired. Under these conditions, capacitor C802 serves to insure loop stability. Resistors R811 and R812 limit the output of the supply if the straps between the output and sensing terminals are inadvertently opened.

4-10 DETAILED CIRCUIT ANALYSIS

4-11 PREREGULATOR AND CONTROL CIRCUIT

4-12 The preregulator minimizes changes in the power dissipated by the series regulator due to output voltage or input line voltage changes. Preregulation is accomplished by means of a phase control circuit utilizing SCR's CR504 and CR502 as the switching elements. The appropriate SCR is fired once during each half-cycle (8.33 milliseconds) of the rectified ac (see Figure 4-3). Notice that when the SCR is fired at an early point during the half-cycle, the dc level applied to the series regulator is fairly high. When the SCR is fired later during the cycle, the dc level is relatively low.

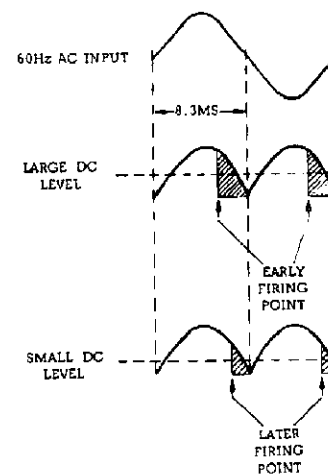


Figure 4-3. SCR Phase Control of DC Input Level

4-13 The SCR control circuit (See Figure 4-4) samples the input line voltage, the output voltage, and the voltage across the series transistor. It generates a firing pulse, at the time required, to fire the SCR so that the voltage across input capacitor C500 will be maintained at the desired level.

4-14 The inputs to the control circuit are algebraically summed across capacitor C700. All inputs contribute to the time required to charge C700. The input line voltage is rectified by CR704 through CR707, attenuated by voltage divider R700 and R701, and applied to the summing point at TP 59 via capacitor C700. Capacitor C701 is used for smoothing purposes.

4-15 Transistor Q702, connected in a common base configuration, provides a charging current for the summing capacitor which varies in accordance with the input signals applied to its emitter.

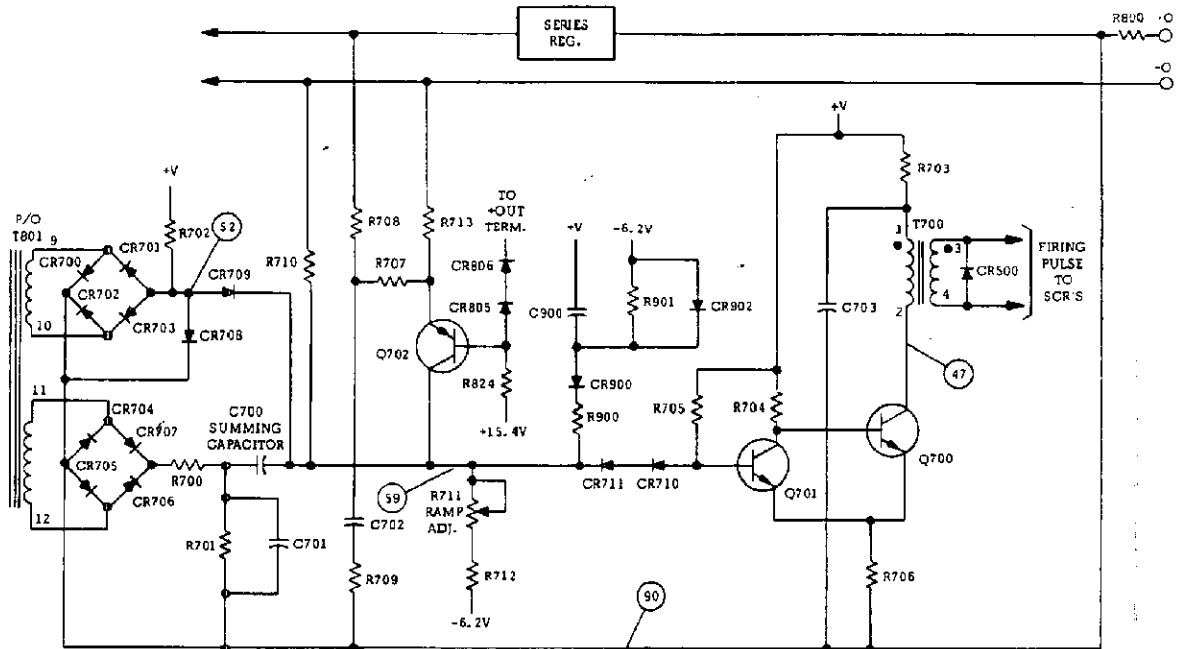
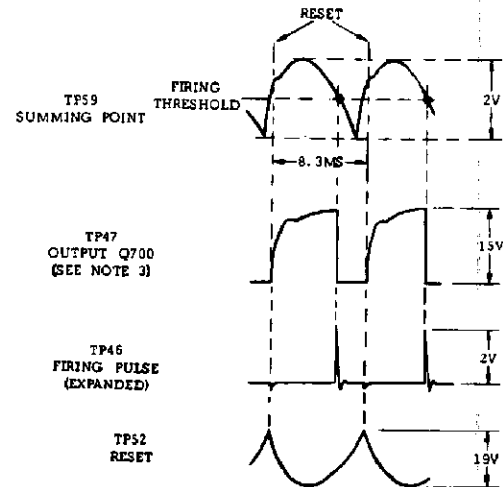


Figure 4-4. SCR Control Circuit, Simplified Schematic

Resistor R713, connected between the negative output line and the emitter of Q702, furnishes a signal which is proportional to the output voltage. Resistors R708 and R707 sample the voltage across, and the current through, the series regulator. Capacitor C702 and resistor R709 stabilize the control circuit feedback loop. Resistors R711 and R712 are the source of a constant offset current which sustains a net negative charging current to the summing point, ensuring that the SCR's will fire at low output voltages.

4-16 The summation of the input signals results in the generation of a voltage waveform at TP 59 similar to that shown on Figure 4-5. When the linear ramp portion of the waveform reaches a certain negative threshold voltage, diodes CR711 and CR710 become forward biased. The negative voltage then is coupled to the base of transistor Q701. Transistors Q701 and Q700 form a squaring circuit resembling a Schmitt trigger configuration. Q701 is conducting, prior to firing time, due to the positive bias connected to its base through R705. Transistor Q700 is cut off at this time because its base is connected directly to the collector of conducting transistor Q701. When the negative threshold voltage is reached, transistor Q701 is turned off which turns Q700 on. The conduction of Q700 allows capacitor C703 to discharge rapidly through pulse transformer T700 resulting in the SCR firing pulse shown on the



- NOTES:
1. ALL WAVEFORMS REFERENCED TO INBOARD SIDE OF CURRENT SAMPLING RESISTOR R800 EXCEPT FIRING PULSE WHICH IS REFERENCED TO T. P. 45.
 2. FOR CLARITY WAVEFORMS ARE NOT DRAWN TO SCALE.
 3. AMPLITUDE OF THIS WAVEFORM IS APPROXIMATE AND VARIES SLIGHTLY FROM MODEL TO MODEL IN ACCORDANCE WITH THE POSITIVE COLLECTOR BIAS OBTAINED FROM C800.

Figure 4-5. SCR Control Circuit Waveforms

4-29 Stage Q200A is connected to +S through impedance equalizing resistor R203. Instantaneous changes in output current on the positive line are felt at the current summing point (terminal A7) and, hence, the base of Q200B. Stage Q200B varies its conduction in accordance with the polarity of the change at the summing point. The error voltage is taken from the collector Q200B and ultimately varies the conduction of the series regulator.

4-30 Resistor R304, in conjunction with C300, helps stabilize the feedback loop. Resistor R808, shunting the pullout resistor, serves as a trimming adjustment for the programming current flowing through R809 and R810.

4-31 GATING CIRCUIT

4-32 The gating circuit (see schematic) consists of gating amplifiers Q301 and Q300 and associated OR-gate diodes, CR300 and CR301. The gating circuit provides sharp crossover between constant voltage and constant current operation. During steady state conditions, one transistor is saturated while the other is conducting in its linear region. The cathodes of the OR-gate diodes are always at a more positive potential than the saturation potential of Q300 or Q301. Thus, the diode associated with the saturated transistor is reverse biased while the diode associated with the other transistor is forward biased. In the constant voltage mode Q301 is operating in its linear region and Q300 is saturated due to the positive collector voltage of Q200B. OR-gate diode CR301 is therefore reverse biased while OR-gate diode CR300 is forward biased, coupling the constant voltage feedback signal to the error amplifier. Opposite conditions prevail during constant current operation.

4-33 Capacitor C302 is a commutating capacitor which improves the transient response of the unit. Resistor R300 is the biasing resistor for the OR-gate diodes.

4-34 ERROR AMPLIFIERS

4-35 The error amplifiers Q302 and Q303, amplify the feedback signal from the constant voltage or constant current input circuit to a level sufficient to drive the series regulator transistor. Transistor Q303 serves as the driver and Q302 the predriver, for the series regulator. The RC network, composed of C301 and R307, is an equalizing network which provides for high frequency roll-off in the loop gain response in order to stabilize the feedback loop.

4-36 Capacitor C900, diode CR901, and resistor R902 form a long time constant network which achieves a slow turn-on characteristic. When the unit is first turned on, C900 provides a positive voltage to the base of Q302 keeping the series regulator from conducting initially. As C900 charges up, the restrictive bias becomes less positive enabling the regulator to conduct. Diode CR902 provides a low resistance discharge path for C900 when the unit is turned off.

4-37 FAULT INPUT CIRCUIT

4-38 The fault input circuit (see schematic at rear) protects the power supply against overvoltage and overcurrent conditions. Transistor Q800, and associated components, comprise the overvoltage detector. With normal output voltages Q800 is cut off due to the +15.4V reference voltage connected to the top of voltage divider R823 and R821. If the output voltage exceeds a certain limit (about 20% above the maximum rated output voltage) transistor Q800 is driven into conduction. Current is then conducted away from the summing point and in opposition to the charge path of C700 in the SCR control circuit. As a result, the SCR's are fired at a later time, reducing the series regulator input voltage to a safe value.

4-39 A full wave rectified voltage, obtained from the SCR control circuit, exercises a stabilizing influence on transistor Q800. This signal tends to synchronize the conduction of Q800 at a 120 Hz rate preventing random firing of the SCR's.

4-40 Transistors Q801 and Q802 provide overcurrent and short circuit protection for the unit. Overcurrent protection is accomplished by Q802 which is activated only if the constant current input circuit should fail. Q802 monitors the voltage drop across the current sampling resistor and conducts if this drop exceeds a certain level. The output of Q802 is fed to gating amplifier Q301 via R815 and ultimately reduces the conduction of the series regulator.

4-41 Short circuit protection is provided by transistors Q801 and Q802. Transistor Q801, normally biased below cutoff, monitors the voltage drop across the series regulator. Under short circuit conditions, the increased voltage across the regulator drives Q801 into saturation. The positive going emitter voltage of Q801 also drives Q802 into conduction. The output of Q802 limits the current flow through the series regulator to a prescribed level.

4-42 REFERENCE CIRCUIT (See Schematic at Rear)

4-43 The reference circuit is a feedback power supply similar to the main supply. It provides stable reference voltages which are used throughout the unit. The reference voltages are all derived from smoothed dc obtained from the full wave rectifier (CR600 and CR601) and filter capacitor C600. The +9.4 and -6.2 voltages are developed across temperature compensated Zener diodes VR600 and VR601. Resistor R611 limits the current through the Zener diodes to establish an optimum bias level.

4-44 The regulating circuit consists of series regulating transistor Q600, error amplifier Q601, and differential amplifier Q602 and Q603. The voltage across the Zener reference diode VR600 and the voltage at the junction of divider R605 and R606 are compared, and any differences are de-

tected by Q602 and Q603. The error voltage is amplified and inverted by Q601 and applied to series regulator Q600 in the correct phase and amplitude to maintain the +15.4 volt output constant.

4-45 Zener diode VR601 provides an additional bias voltage of -6.2 volts. Resistor R601, connected across Q600, minimizes power dissipation in the series element. Output capacitor C602 stabilizes the reference regulator loop.

4-46 METER CIRCUIT

4-47 The meter circuit (see Figure 4-8) provides continuous indications of output voltage or current on a single multiple range meter. The meter can be used either as a voltmeter or an ammeter depending upon the position of METER switch S2 on the front panel of the supply. This switch

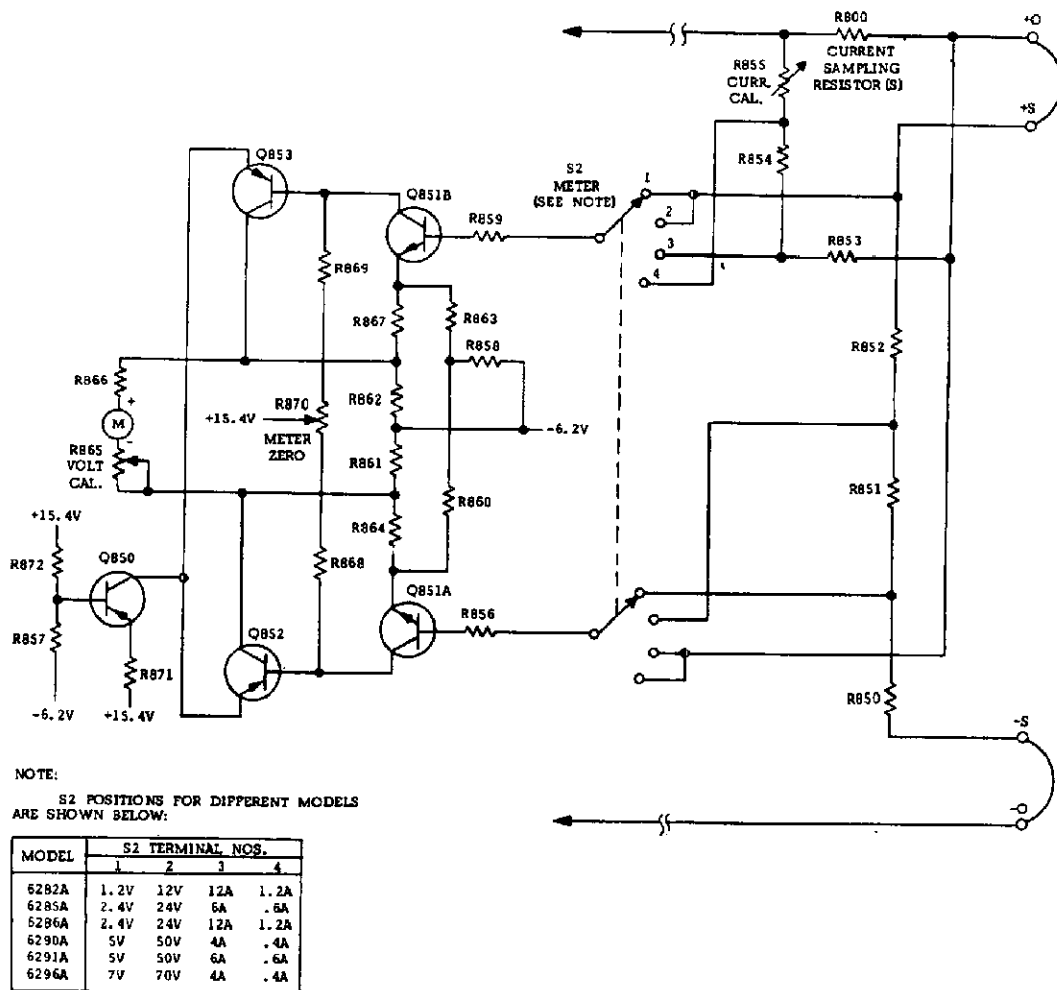


Figure 4-8. Meter Circuit, Simplified Schematic

also selects one of two meter ranges on each scale. The metering circuit consists basically of a selection circuit (switch S2 and associated voltage dividers), a stable differential amplifier stage (Q851A and Q851B), two meter amplifiers (Q852 and Q853), and the meter movement.

4-48 The selection circuit determines which voltage divider is connected to the differential amplifier input. When S2 is in one of the voltage positions, the voltage across divider R850, R851, and R852 (connected across the output of the supply) is the input to the differential amplifier. When S2 is in one of the current positions, the voltage across divider R853, R854, and R855 (connected across the sampling resistor) is the input to the differential amplifier. With S2 in the higher voltage range (position 2) the voltage drop across R852 is applied to stage Q851A while stage Q851B is grounded to the +S terminal. For low output voltages, S2 can be set to position (1) resulting in the application of a larger percentage of the output voltage (drop across R851 and R852) to stage Q851A. With S2 in the higher current position (3) the voltage drop across R853 is applied

to stage Q851B while stage Q851A is grounded to the +S terminal. In the low current range, the voltage drop across R853 and R854 is applied to Q851B.

4-49 Differential amplifier stage Q851 is a stable device having a fixed gain of ten. To minimize temperature effects, the two stages are housed in a single package that is similar to those used in the constant voltage and current input circuits. The outputs of the differential amplifier drive meter amplifiers Q852 and Q853 which, in turn, deflect the meter. Transistor Q850 provides a constant bias current to the emitters of Q852 and Q853. Potentiometer R870 permits electrical zeroing of the meter.

4-50 The meter circuit contains an inherent current limiting feature which protects the meter movement against overloads. For example, if METER switch S2 is placed in the low current range when the power supply is actually delivering a higher ampere output, the differential amplifiers are quickly driven into saturation, limiting the current through the meter to a safe value.

SECTION V MAINTENANCE

5-1 INTRODUCTION

5-2 Upon receipt of the power supply, the performance check (Paragraph 5-10) should be made. This check is suitable for incoming inspection. If a fault is detected in the power supply while making the performance check or during normal operation, proceed to the troubleshooting procedures (Paragraph 5-41). After troubleshooting and repair (Paragraph 5-46), perform any necessary adjustments and calibrations (Paragraph 5-48). Before returning the power supply to normal operation, repeat the performance check to ensure that the fault has been properly corrected and that no other faults exist. Before doing any maintenance checks, turn on power supply, allow a half-hour warm-up, and read the general information regarding measurement techniques (Paragraph 5-3).

5-3 GENERAL MEASUREMENT TECHNIQUES

5-4 The measuring device must be connected across the sensing leads of the supply or as close to the output terminals as possible when measuring the output impedance, transient response, regulation, or ripple of the power supply in order to achieve valid measurements. A measurement made across the load includes the impedance of the leads to the load and such lead lengths can easily have an impedance several orders of magnitude greater than the supply impedance, thus invalidating the measurement.

5-5 The monitoring device should be connected to the +S and -S terminals (see Figure 3-2) or as shown in Figure 5-1. The performance characteristics should never be measured on the front terminals if the load is connected across the rear terminals. Note that when measurements are made at the front terminals, the monitoring leads are connected at A, not B, as shown in Figure 5-1. Failure to connect the measuring device at A will result in a measurement that includes the resistance of the leads between the output terminals and the point of connection.

5-6 For output current measurements, the current sampling resistor should be a four-terminal resis-

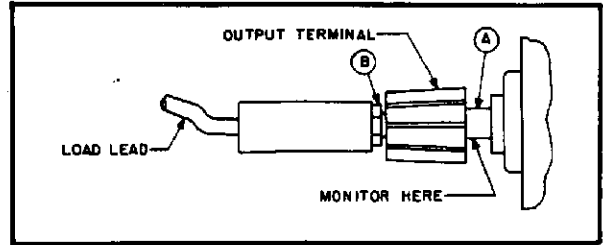


Figure 5-1. Front Panel Terminal Connections

tor. The four terminals are connected as shown in Figure 5-2. In addition, the resistor should be of the low noise, low temperature coefficient (less than 30ppm/°C) type and should be used at no more than 5% of its rated power so that its temperature rise will be minimized.

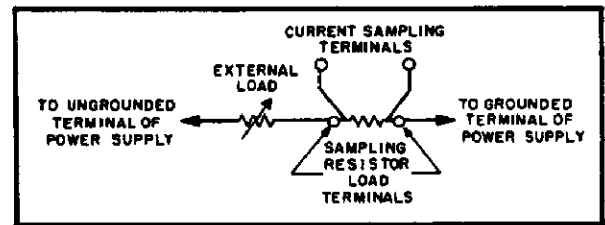


Figure 5-2. Output Current Measurement Technique

5-7 When using an oscilloscope, ground one terminal of the power supply and then ground the case of the oscilloscope to this same point. Make certain that the case is not also grounded by some other means (Power line). Connect both oscilloscope input leads to the power supply ground terminal and check that the oscilloscope is not exhibiting a ripple or transient due to ground loops, pick-up, or other means.

5-8 TEST EQUIPMENT REQUIRED

5-9 Table 5-1 lists the test equipment required to perform the various procedures described in this Section.

Table 5-1. Test Equipment Required

Type	Required Characteristics	Use	Recommended Model
Differential Voltmeter	Sensitivity: 1 mv full scale (min.). Input impedance: 10 megohms (min.).	Measure DC voltages; calibration procedures	Ⓢ 3420 (See Note)
Variable Voltage Transformer	Range: 90-130 volts. Equipped with voltmeter accurate within 1 volt.	Vary AC input	-----
AC Voltmeter	Accuracy: 2%. Sensitivity: 1 mv full scale deflection (min.).	Measure AC voltages and ripple	Ⓢ 403 B
Oscilloscope	Sensitivity: 100 μ v/cm. Differential input.	Display transient response waveforms	Ⓢ 140 A plus 1400A plug in.
Oscillator	Range: 5Hz to 1 MHz. Accuracy: 2%.	Impedance checks	Ⓢ 200 CD
DC Voltmeter	Accuracy: 1%. Input resistance: 20,000 ohms/volt (min.).	Measure DC voltages	Ⓢ 412 A
Repetitive Load Switch	Rate: 60 — 400 Hz, 2 μ sec rise and fall time.	Measure transient response	See Figure 5-7
Resistive Loads	Value: See Paragraph 5-14, and Figure 5-4. \pm 5% 250 watts.	Power supply load resistors	-----
Current Sampling Resistor	Value: See Figure 5-4. 1%, 200 watts, 20ppm, 4-Terminal.	Measure current; calibrate meter	-----
Resistor	1K Ω \pm 1%. 2 watt non-inductive	Measure impedance	-----
Resistor	100 ohms, \pm 5%, 10 watt	Measure impedance	-----
Resistor	Value: See Paragraph 5-45. \pm 0.1%, 20 watt.	Calibrate programming current	-----

Type	Required Characteristics	Use	Recommended Model
Resistor	Value: See Paragraph 5-47. ±0.1%, 1/2 watt.	Calibrate programming current	-----
Capacitor	500µf, 50 wvdc	Measure impedance.	-----
Decade Resistance Box	Range: 0-500K Accuracy: 0.1% plus 1 ohm Make-before-break contacts.	Measure programming coefficients.	-----

NOTE

A satisfactory substitute for a differential voltmeter is to arrange a reference voltage source and null detector as shown in Figure 5-3. The reference voltage source is adjusted so that the voltage difference between the supply being measured and the reference voltage will have the required resolution for the measurement being made. The voltage difference will be a function of the null detector that is used. Examples of satisfactory null detectors are: ④ 419 A null detector, a DC coupled oscilloscope utilizing differential input, or a 50 mv meter movement with a 100 division scale. For the latter, a 2 mv change in voltage will result in a meter deflection of four divisions.

CAUTION

Care must be exercised when using an electronic null detector in which one input terminal is grounded to avoid ground loops and circulating currents.

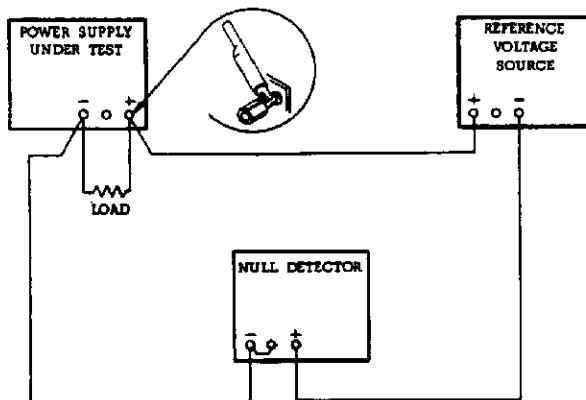


Figure 5-3. Differential Voltmeter Substitute, Test Setup

5-10 PERFORMANCE TEST

5-11 The following test can be used as an incoming inspection check and appropriate portions of the test can be repeated either to check the operation of the instrument after repairs or for periodic maintenance tests. The tests are performed using a 115-VAC 60 cps., single phase input power source. If the correct result is not obtained for a particular check, do not adjust any controls; proceed to troubleshooting (Paragraph 5-28).

5-12 CONSTANT VOLTAGE TESTS

5-13 Rated Output and Meter Accuracy.

5-14 Voltage. Proceed as follows:

- Connect load resistor across rear output terminals of supply. Resistor value to be as follows:

Model	6282A	6285A	6286A	6290A	6291A	6296A
Res.	1 Ω	4 Ω	2 Ω	13 Ω	8 Ω	20 Ω
- Connect differential voltmeter across +S and -S terminals of supply observing correct polarity.
- Set METER switch to highest voltage range and turn on supply.
- Adjust VOLTAGE controls until front panel meter indicates exactly the maximum rated output voltage.
- Differential voltmeter should indicate maximum rated output voltage within $\pm 2\%$.

5-15 Current. Proceed as follows:

- Connect test setup shown in Figure 5-4, leaving switch S1 open.
- Turn CURRENT controls fully clockwise.
- Set METER switch to highest current range and turn on supply.
- Adjust VOLTAGE controls until front panel meter indicates exactly the maximum rated output current.
- Differential voltmeter should read 1.0 ± 0.02 Vdc.

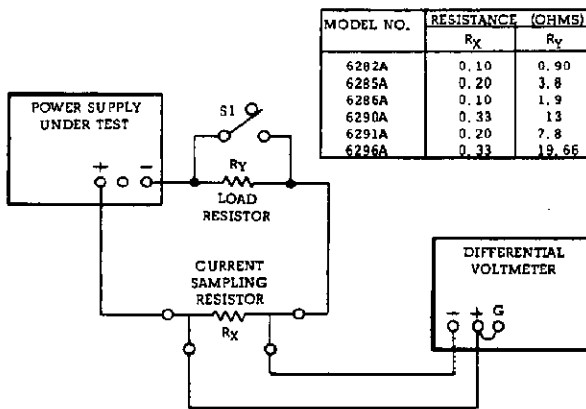


Figure 5-4. Output Current Test Setup

5-16 Load Regulation. To check constant voltage load regulation, proceed as follows:

- Connect test setup as shown in Figure 5-5.
- Turn CURRENT controls fully clockwise.
- Set METER switch to highest current range and turn on supply.

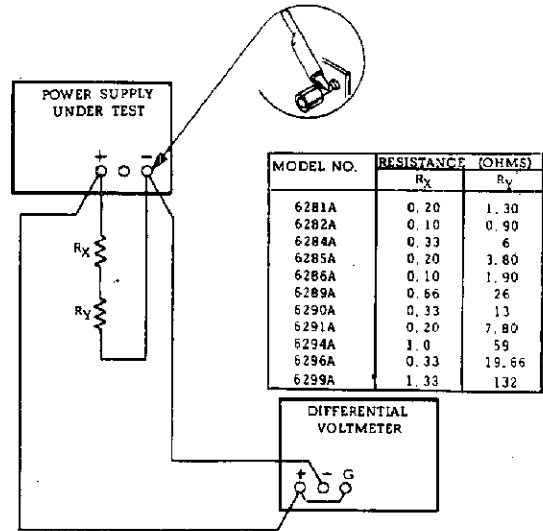


Figure 5-5. Load Regulation, Constant Voltage

- Adjust VOLTAGE controls until front panel meter indicates exactly the maximum rated output voltage.
- Read and record voltage indicated on differential voltmeter.
- Disconnect load resistors.
- Reading on differential voltmeter should not vary from reading recorded in step e by more than the following (variations expressed in mVdc):

Model	6282A	6285A	6286A	6290A	6291A	6296A
Variation	± 2	± 3	± 3	± 5	± 5	± 7

NOTE

If measurements are made at the front terminals, readings will be 0.5mV per amp greater due to front terminal resistance.

5-17 Line Regulation. To check the line regulation, proceed as follows:

- Connect variable auto transformer between input power source and power supply power input.
- Turn CURRENT controls fully clockwise.
- Connect test setup shown in Figure 5-5.
- Adjust variable auto transformer for 105 VAC input.
- Set METER switch to highest voltage range and turn on supply.
- Adjust VOLTAGE controls until front panel meter indicates exactly the maximum rated output voltage.
- Read and record voltage indicated on differential voltmeter.
- Adjust variable auto transformer for 125 VAC input.

i. Reading on differential voltmeter should not vary from reading recorded in step g by more than the following (variations expressed in mVdc):

Model	6282A	6285A	6286A	6290A	6291A	6296A
Variation	±2	±3	±3	±5	±5	±7

5-18 **Ripple and Noise.** To check the ripple and noise, proceed as follows:

- Retain test setup used for previous line regulation test except connect AC voltmeter across output terminals as shown in Figure 5-6.
- Adjust variable auto transformer for 125 VAC input.
- Set METER switch to highest current range.
- Turn CURRENT controls fully clockwise and adjust VOLTAGE controls until front panel meter indicates exactly the maximum rated output voltage.
- AC voltmeter should read less than 0.50mVrms.

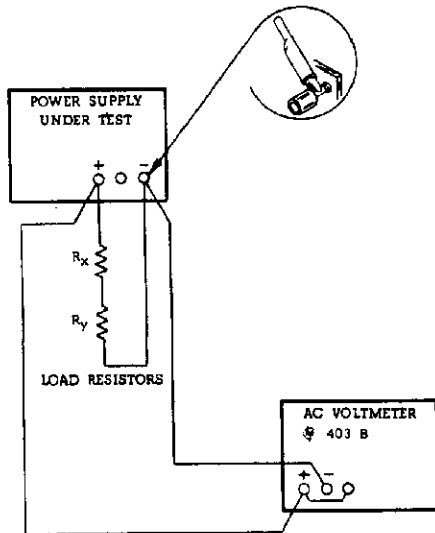
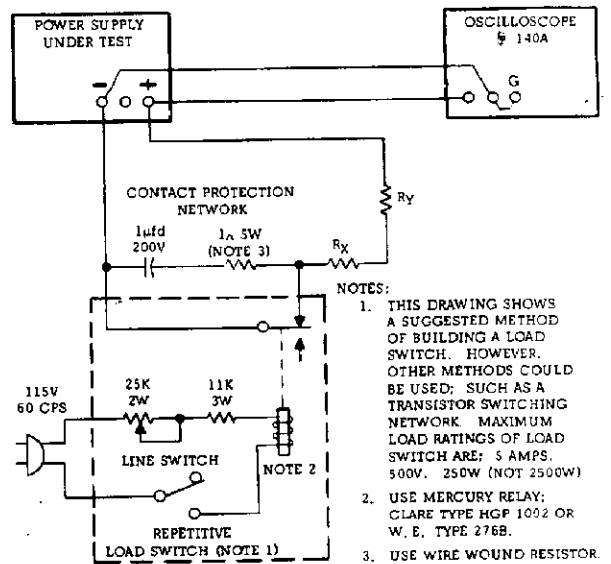


Figure 5-6. Ripple and Noise, Constant Voltage

5-19 **Transient Recovery Time.** To check the transient recovery time proceed as follows:

- Connect test setup shown in Figure 5-7.
- Turn CURRENT controls fully clockwise.
- Set METER switch to highest current range and turn on supply.
- Adjust VOLTAGE controls until front panel meter indicates exactly the maximum rated output current or 5 amperes, whichever is smaller.
- Close line switch on repetitive load switch setup.



MODEL NO.	RESISTANCE (OHMS)	
	R _x	R _y
6282A	0.10	0.90
6285A	0.20	3.80
6286A	0.10	1.90
6290A	0.33	13.0
6291A	0.20	7.80
6296A	0.33	19.66

Figure 5-7. Transient Response, Test Setup

f. Adjust 25K potentiometer until a stable display is obtained on oscilloscope. Waveform should be within the tolerances shown in Figure 5-8 (output should return to within 15 mV of original value in less than 50 microseconds).

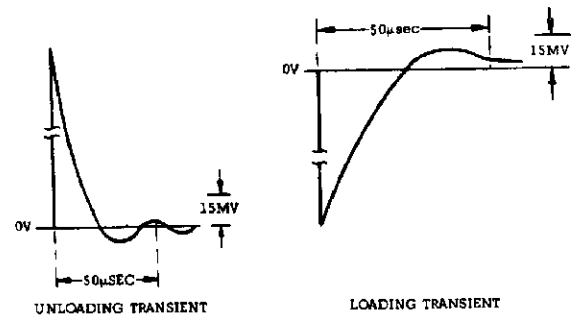


Figure 5-8. Transient Response Waveforms

5-20 **Output Impedance.** To check the output impedance, proceed as follows:

- Connect test setup shown in Figure 5-9.

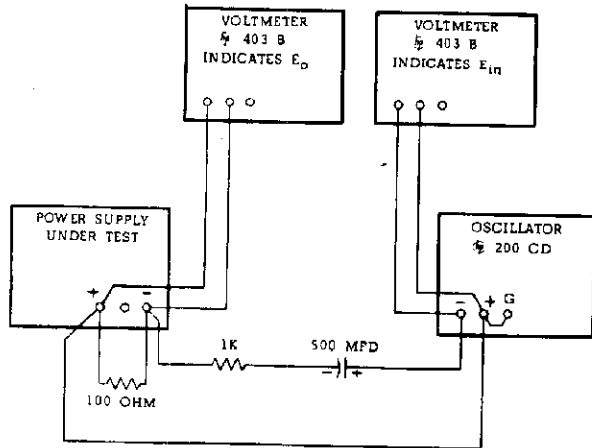


Figure 5-9. Output Impedance, Test Setup

- b. Set METER switch to highest voltage range turn CURRENT controls fully clockwise, and turn on supply.
- c. Adjust VOLTAGE controls until front panel meter reads 10 volts.
- d. Set AMPLITUDE control on Oscillator to 10 volts (E_{in}), and FREQUENCY control to 100Hz.
- e. Record voltage across output terminals of the power supply (E_o) as indicated on AC voltmeter.
- f. Calculate the output impedance by the following formula:

$$Z_{out} = \frac{E_o R}{E_{in} - E_o}$$

E_o = rms voltage across power supply output terminals.

$R = 1000$

$E_{in} = 10$ volts

- g. The output impedance (Z_{out}) should be less than 0.001 ohm.
- h. Using formula of step f, calculate output impedance at frequencies of 1KHz, 100KHz, and 1MHz. Values should be less than 0.01 ohm, 0.2 ohm, and 2 ohms, respectively.

5-21 CONSTANT CURRENT TESTS

5-22 Load Regulation. To check the constant current load regulation, proceed as follows:

- a. Connect test setup shown in Figure 5-4.
- b. Turn VOLTAGE controls fully clockwise.
- c. Set METER switch to highest current range and turn on supply.
- d. Adjust CURRENT controls until front panel meter reads exactly the maximum rated output current.
- e. Read and record voltage indicated on differential voltmeter.

f. Short out load resistor (R_y) by closing switch S1.

g. Reading on differential voltmeter should not vary from reading recorded in step e by more than the following (variations expressed in mVdc):

Model	6282A	6285A	6286A	6290A	6291A	6296A
Variation	±0.60	±2.20	±0.60	±0.830	±0.70	±0.830

5-23 Line Regulation. To check the line regulation, proceed as follows:

- a. Utilize test setup shown in Figure 5-4 leaving switch S1 open throughout test.
 - b. Connect variable auto transformer between input power source and power supply power input.
 - c. Adjust auto transformer for 105VAC input.
 - d. Turn VOLTAGE controls fully clockwise.
 - e. Set METER switch to highest current range and turn on supply.
 - f. Adjust CURRENT controls until front panel meter reads exactly the maximum rated output current.
 - g. Read and record voltage indicated on differential voltmeter.
 - h. Adjust variable auto transformer for 125 VAC input.
 - i. Reading on differential voltmeter should not vary from reading recorded in step g by more than the following (variations expressed in mVdc):
- | Model | 6282A | 6285A | 6286A | 6290A | 6291A | 6296A |
|-----------|-------|-------|-------|--------|-------|--------|
| Variation | ±0.60 | ±2.20 | ±0.60 | ±0.830 | ±0.70 | ±0.830 |

5-24 Ripple and Noise. To check the ripple and noise, proceed as follows:

- a. Use test setup shown in Figure 5-4, except connect AC voltmeter across sampling resistor instead of differential voltmeter.
 - b. Rotate VOLTAGE controls fully clockwise.
 - c. Set METER switch to highest current range and turn on supply.
 - d. Adjust CURRENT controls until front panel meter indicates exactly the maximum rated output current.
 - e. Turn range switch on AC voltmeter to 1mV position.
 - f. The AC voltmeter should read as follows: (Readings are expressed in mVac)
- | Model | 6282A | 6285A | 6286A | 6290A | 6291A | 6296A |
|---------|-------|-------|-------|-------|-------|-------|
| Reading | 0.50 | 0.60 | 0.50 | 1.0 | 0.6 | 1.0 |

5-25 TROUBLESHOOTING

5-26 Components within Hewlett-Packard power supplies are conservatively operated to provide maximum reliability. In spite of this, parts within a supply may fail. Usually the instrument must be immediately repaired with a minimum of "down time" and a systematic approach as outlined in succeeding paragraphs can greatly simplify and speed up the repair.

5-27 TROUBLE ANALYSIS

5-28 General. Before attempting to trouble shoot this instrument, ensure that the fault is with the instrument and not with an associated circuit. The performance test (Paragraph 5-10) enables this to be determined without having to remove the instrument from the cabinet.

5-29 Once it is determined that the power supply is at fault, check for obvious troubles such as open fuse, a defective power cable, or an input power failure. Next, remove the top and bottom covers (each held by four retaining screws) and inspect for open connections, charred components, etc. If the trouble source cannot be detected by visual inspection, follow the detailed procedure outlined in succeeding paragraphs. Once the defective component has been located (by means of visual inspection or trouble analysis) correct it and re-conduct the performance test. If a component is replaced, refer to the repair and replacement and adjustment and calibration paragraphs in this section.

5-30 A good understanding of the principles of operation is a helpful aid in troubleshooting, and it is recommended that the reader review Section IV of the manual before attempting to troubleshoot the unit in detail. Once the principles of operation are understood, logical application of this knowledge used in conjunction with the normal voltage readings and waveforms shown on the schematic and the additional procedures given in the following paragraphs should suffice to isolate a fault to a component or small group of components. The component location diagram at the rear of the manual can be consulted to determine the location of components and test points. The normal voltages shown on the schematic are positioned adjacent to the applicable test points (identified by encircled numbers on the schematic and component location diagram). Additional test procedures that will aid in isolating troubles are as follows:

a. Reference circuit check (Paragraph 5-31). This circuit provides critical operating voltages for the supply and faults in the circuit could affect the overall operation in many ways. This circuit should be checked first, before proceeding to other areas of the unit.

b. Series regulator and preregulator feedback loop checks (Paragraph 5-32).

c. Procedures for dealing with common troubles (Paragraph 5-33).

5-31 Reference Circuit.

a. Make an ohmmeter check to be certain that neither the positive nor negative output terminal is grounded.

b. Turn front-panel VOLTAGE and CURRENT controls fully clockwise (maximum).

c. Turn on power supply (no load connected)

d. Proceed as instructed in Table 5-2.

5-32 Series Regulator and Preregulator Feedback Circuits. Generally, malfunction of these two feedback circuits is indicated by high or low (or no) output voltage. If one of these situations occur, disconnect the load and proceed as instructed in Table 5-3 or 5-4. Preregulator waveforms are included on the schematic at the rear of the manual.

5-33 Common Troubles. Table 5-6 lists the symptoms, checks, and probable causes for common troubles.

5-34 REPAIR AND REPLACEMENT

5-35 Before servicing a printed wiring board, refer to Figure 5-10. Section VI of this manual contains a list of replaceable parts. Before replacing a semiconductor device, refer to Table 5-7 which lists the special characteristics of selected semiconductors. If the device to be replaced is not listed in Table 5-7, the standard manufacturers part number listed in Section VI is applicable. After replacing a semiconductor device, refer to Table 5-8 for checks and adjustments that may be necessary.

Table 5-2. Reference Circuit Troubleshooting

Step	Meter Common	Meter Positive	Normal Indication	If Indication Abnormal, Take This Action
1	+S	29	9.4 ±0.4Vdc	Check 15.4 volt bias or VR600
2	28	+S	6.2 ±0.3Vdc	Check diode VR601
3	+S	30	15.4 ±0.5Vdc	Check R605, Q600 through Q603, C600, CR600, and CR601.

Table 5-3. High Output Voltage Troubleshooting

Step	Measure	Response	Probable Cause
1	Voltage between TP26 and TP90	a. 0V or negative b. More positive than 0V	a. Q400 (Q401) shorted CR400 shorted b. Q303 open or R309 shorted Proceed to Step 2
2	Voltage between +S and A4	a. 0V to +0.8V b. More negative than 0V	a. Open strap A3-A4 R813 or R814 open R805 or R806 shorted b. Proceed to Step 3
3	Voltage between +S and 11	a. More positive than +1.5V b. +0.9V to +1.5V	a. Q100B shorted Q100A open b. Proceed to Step 4
4	Voltage between +S and 21	a. More negative than 0V	a. Q302 open Q301 open R305, R300 shorted

Table 5-4. Low Output Voltage Troubleshooting

Step	Measure	Response	Probable Cause
1	Voltage between TP26 and TP90	a. More positive than 0V b. 0V or negative	a. Proceed to Step 2 b. Proceed to Step 3
2	Voltage between TP90 and TP27	a. Less positive than +4V b. More positive than +5V	a. Check fuse F1. If blown check CR502 or CR504 for short. If not blown, proceed to Table 5-5. b. Q400 (Q401) open Proceed to Step 3
3	Disable Q200 by disconnecting CR200	a. Normal output voltage b. Low output voltage	a. Constant Current circuit faulty; check Q200B, R810, R809, for short. b. If supply is furnishing current without load, check CR809, C802, or C803 for short. If it is not, proceed to Step 3
4	Voltage between +S and A4	a. More negative than 0V	a. Open strap A4-A5 R813, R814, C801 Proceed to Step 5

Table 5-4. Low Output Voltage Troubleshooting (Continued)

Step	Measure	Response	Probable Cause
5	Voltage between +S and 11	a. Less positive than +0.9V b. +0.9V to +1.5V	a. Q100B open Q100A shorted Q802 or Q801 shorted b. Proceed to Step 6
6	Voltage between +S and 21	a. 0V or positive	a. Q303 shorted Q302 shorted R310 shorted

Table 5-5. Preregulator/Control Circuit Troubleshooting

Step	Measure	Response	Probable Cause
1	Waveform between 4 and 3 of T700	a. Normal firing pulse b. No or abnormal firing pulse	a. CR502-CR504 defective R501-R502 open CR501, CR503, T800 defective b. T700 open CR500 shorted Proceed to Step 2
2	Waveform between 90 and 47	a. Zero or small positive voltage b. +16 to +20 Volt level c. Waveform distorted	a. Q700 shorted C703 shorted Q701 open R703, primary T700 open Proceed to Step 3 b. Q700 open R703 shorted Q701 shorted Proceed to Step 3 c. Proceed to Step 3
3	Waveform between 90 and 59	a. Amplitude incorrect b. Period incorrect	a. Q702 defective R707, R708, R713 incorrect value or open C700, CR710, C711 defective b. CR709 defective Proceed to Step 4
4	Waveform between 90 and 52	a. Amplitude incorrect b. Period incorrect	a. CR708, CR709, R702 defective b. CR700 through CR703 defective
5	Waveform between 90 and 54	a. Amplitude incorrect b. Period incorrect	a. R700, R701, C701 defective b. CR704 through CR707 defective

Table 5-6. Common Troubles

Symptom	Checks and Probable Causes
High ripple	<ul style="list-style-type: none"> a. Check operating setup for ground loops. b. If output floating, connect 1μf capacitor between output and ground. c. Ensure that supply is not crossing over to constant current mode under loaded conditions. d. Check for low voltage across C500 or Q400. e. Check for excessive ripple on reference voltages. Peak-to-peak ripple should be less than 2mV for +9.4V and -6.2V and less than 4mV for +15.4V.
Poor line regulation	<ul style="list-style-type: none"> a. Check reference circuit (Paragraph 5-31).
Poor load regulation (Constant Voltage)	<ul style="list-style-type: none"> a. Measurement technique. (Paragraph 5-16.) b. Check reference circuit (Paragraph 5-31). c. Ensure that supply is not going into current limit. Check constant current input circuit.
Poor load regulation (Constant Current)	<ul style="list-style-type: none"> a. Check reference circuit (Paragraph 5-31). b. C802, C803, and CR809 leaky. c. Ensure that supply is not crossing over to constant voltage operation. Check constant voltage input circuit.
Oscillates (Constant Voltage / Constant Current)	<ul style="list-style-type: none"> a. Check C301 for open, adjustment of R307 (Paragraph 5-50). b. Check R103, C100 or R304, C300.
Poor Stability (Constant Voltage)	<ul style="list-style-type: none"> a. Check reference voltages (Paragraph 5-31). b. Noisy programming resistors R813, R814. c. CR100, CR101 leaky. d. Check R104, R805, R806, C801 for noise or drift. e. Stage Q100 defective.
Poor Stability (Constant Current)	<ul style="list-style-type: none"> a. Check reference voltages (Paragraph 5-31). b. Noisy programming resistors R809, R810. c. CR809, C803, C802 leaky. d. Check R807, R808, R200, R800, for noise or drift. e. Stage Q200 defective.

Table 5-7. Selected Semiconductor Characteristics

Reference Designator	Characteristics	Ⓢ Stock No.	Suggested Replacement
Q100, Q200	Matched differential amplifier. NPN Si Planar. 70 (min.) h _{FE} I _C = 1 mA. V _{CE} = 5V. I _{CO} 0.01 μ a @ V _{CBO} = 5V.	1854-0229	2N2917 G. E.
Q303, Q400 (Q401)	NPN power. h _{FE} = 35 (min); @ I _C = 4A, V _{CE} = 4V.	1854-0225	2N3055 R. C. A.
Q851	Matched differential amplifier. NPN Si.	1854-0221	2N4045 Union Carbide

Table 5-7. Selected Semiconductor Characteristics (Continued)

CR100-CR102, CR200, CR300, CR301, CR500, CR700, CR701	Si diode, 200 mA, 200 prv	1901-0033	1N485B Sylvania
CR402, CR602, CR803-CR806	Si Stabistor, 200 mA, 15 prv	1901-0461	1N4828 G. E.
VR300	Zener diode, 4.22V, $\pm 5\%$ 400 mw	1902-3070	1N749 Motorola

Table 5-8. Checks and Adjustments After Replacement of Semiconductor Devices

Reference	Function	Check	Adjust
Q100	Constant voltage differential amplifier	Constant voltage (CV) line and load regulation.	
Q200	Constant current differential amplifier	Constant current (CC) line and load regulation.	
Q300	Constant Current gating amplifier	CC load regulation.	
Q301	Constant Voltage gating amplifier	CV load regulation.	
Q302, Q303	Error amplifiers	CV/CC load regulation Transient response	R307
Q400 (Q401)	Series Regulator	CV/CC load regulation	
Q600, Q601, Q602, Q603	Reference regulator	Reference voltages, Overvoltage trip point.	R604
Q700, Q701 Q702	SCR control	Voltage across series regulator	R711
Q851, Q852, Q853	Meter amplifiers	Meter zero, Voltmeter/ Ammeter tracking	R870, R865, R855
Q801, Q802	Overcurrent detectors	Short output, ensure that output goes to zero without damage to series regulator.	
CR100, CR101	Limiting diodes	CV load regulation	
CR403, CR404	Forward bias regulator	Voltage across each diode 0.6 to 0.9 volts.	
CR700-CR703	Rectifier bridge	Waveform between 52 and 90	
CR704-CR707	Rectifier bridge	Waveform between 54 and 90	

Excessive heat or pressure can lift the copper strip from the board. Avoid damage by using a low power soldering iron (50 watts maximum) and following these instructions. Copper that lifts off the board should be cemented in place with a quick drying acetate base cement having good electrical insulating properties.

A break in the copper should be repaired by soldering a short length of tinned copper wire across the break.

Use only high quality rosin core solder when repairing etched circuit boards. NEVER USE PASTE FLUX. After soldering, clean off any excess flux and coat the repaired area with a high quality electrical varnish or lacquer.

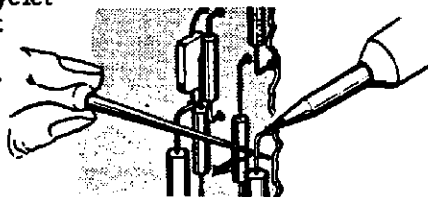
When replacing components with multiple mounting pins such as tube sockets, electrolytic capacitors, and potentiometers, it will be necessary to lift each pin slightly, working around the components several times until it is free.

WARNING: If the specific instructions outlined in the steps below regarding etched circuit boards without eyelets are not followed, extensive damage to the etched circuit board will result.

1. Apply heat sparingly to lead of component to be replaced. If lead of component passes through an eyelet

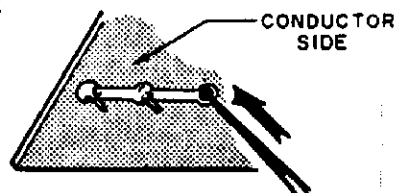
in the circuit board, apply heat on component side of board. If lead of component does not pass through an

eyelet, apply heat to conductor side of board.

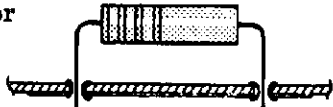


2. Reheat solder in vacant eyelet and quickly insert a small awl to clean inside of hole.

If hole does not have an eyelet, insert awl or a #57 drill from conductor side of board.

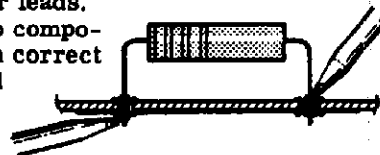


3. Bend clean tinned lead on new part and carefully insert through eyelets or holes in board.



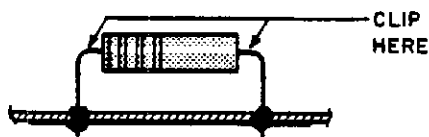
4. Hold part against board (avoid overheating) and solder leads.

Apply heat to component leads on correct side of board as explained in step 1.



In the event that either the circuit board has been damaged or the conventional method is impractical, use method shown below. This is especially applicable for circuit boards without eyelets.

1. Clip lead as shown below.



2. Bend protruding leads upward. Bend lead of new component

APPLY SOLDER around protruding lead. Apply solder using a pair of long nose pliers as a heat sink.



This procedure is used in the field only as an alternate means of repair. It is not used within the factory.

Figure 5-10. Servicing Printed Wiring Boards

Table 5-8. Checks and Adjustments After Replacement of Semiconductor Devices (Continued)

CR600, CR601, CR800, CR801, CR501-CR504	Rectifier diodes	Voltage across appropriate filter capacitor	
VR600, VR601	Reference voltages	Check +9, 4V and -6.2V reference voltages	

Table 5-9. Calibration Adjustment Summary

Adjustment or Calibration	Paragraph	Control Device
Meter Zero	5-38	Pointer
Voltmeter Tracking	5-40	R870 and R865
Ammeter Tracking	5-42	R855
"Voltage" Programming Current	5-44	R806
"Current" Programming Current	5-46	R808
Overvoltage Trip	5-48	R604
Transient Response	5-50	R307
Preregulator Tracking	5-52	R711

5-36 ADJUSTMENT AND CALIBRATION

5-37 Adjustment and calibration may be required after performance testing, troubleshooting, or repair and replacement. Perform only those adjustments that affect the operation of the faulty circuit and no others. Table 5-9 summarizes the adjustments and calibrations contained in the following paragraphs.

5-38 METER ZERO

5-39 Proceed as follows to zero meter:

- a. Turn off instrument (after it has reached normal operating temperature) and allow 30 seconds for all capacitors to discharge.
- b. Insert sharp pointed object (pen point or awl) into the small indentation near top of round black plastic disc located directly below meter face.
- c. Rotate plastic disc clockwise (cw) until meter reads zero, then rotate ccw slightly in order to free adjustment screw from meter suspension. If pointer moves, repeat steps b and c.

5-40 VOLTMETER TRACKING

5-41 To calibrate voltmeter tracking, proceed as follows:

- a. To electrically zero meter, set METER switch to highest current position and, with supply on and no load connected, adjust R870 until front panel meter reads zero.
- b. Connect differential voltmeter across supply, observing correct polarity.
- c. Set METER switch to highest voltage range and turn on supply. Adjust VOLTAGE control until differential voltmeter reads exactly the maximum rated output voltage.
- d. Adjust R865 until front panel meter also indicates maximum rated output voltage.

5-42 AMMETER TRACKING

5-43 To calibrate ammeter tracking, proceed as follows:

- a. Zero meter as described in step a of 5-41. Connect test setup shown on Figure 5-4 leaving switch S1 open.
- b. Turn VOLTAGE control fully clockwise and set METER switch to highest current range.
- c. Turn on supply and adjust CURRENT controls until differential voltmeter reads 1.0Vdc.
- d. Adjust R855 until front panel meter indicates exactly the maximum rated output current.

5-44 CONSTANT VOLTAGE PROGRAMMING CURRENT

5-45 To calibrate the constant voltage programming current, proceed as follows:

a. Connect a 0.1%, 20 watt resistor between terminals -S and A4 on rear barrier strip. Resistor value to be as follows:

<u>Model</u>	6282A	6285A	6286A	6290A	6291A	6296A
<u>Res.</u>	2K	4K	4K	8K	8K	18K

b. Disconnect jumper between A3 and A4 on rear terminal barrier strip.

c. Connect a decade resistance in place of R806.

d. Connect a differential voltmeter between +S and -S and turn on supply.

e. Adjust decade resistance box so that differential voltmeter indicates maximum rated output voltage within the following tolerances:

<u>Model</u>	6282A	6285A	6286A	6290A	6291A	6296A
<u>Tol.(Vdc)</u>	±0.2	±0.4	±0.4	±0.8	±0.8	±1.2

f. Replace decade resistance with resistor of appropriate value in R806 position.

5-46 CONSTANT CURRENT PROGRAMMING CURRENT

5-47 To calibrate the constant current programming current, proceed as follows:

a. Connect power supply as shown in Fig. 5-4.

b. Remove strap between A6 and A7 (leaving A7 and A8 jumpered).

c. Connect a 0.1%, 1/2 watt resistor between A1 and A7. Resistor value is 1K Ω (1.5K Ω for Models 6290A and 6296A).

d. Connect decade resistance box in place of R808.

e. Set METER switch to highest current range and turn on supply.

f. Adjust the decade resistance so that the differential voltmeter indicates 1.0 \pm 0.02Vdc.

g. Replace decade resistance with appropriate value resistor in R808 position.

5-48 OVERVOLTAGE TRIP

5-49 To adjust the overvoltage trip point, proceed as follows:

a. Connect differential voltmeter across +S and -S terminals of supply.

b. Rotate VOLTAGE controls fully clockwise.

c. Turn on unit. Differential voltmeter should read 20% above maximum rated output voltage within \pm 5%.

d. If it does not, turn off supply and connect decade resistance across R605 in place of R604.

e. Adjust decade resistance until differential voltmeter reads that indicated in step c.

NOTE

The +15.4V reference voltage must be kept within \pm 0.5Vdc when adjusting the decade resistance box.

f. Replace decade resistance with resistor of appropriate value in R604 position.

5-50 TRANSIENT RECOVERY TIME

5-51 To adjust the transient response, proceed as follows:

a. Connect test setup as shown in Figure 5-7.

b. Repeat steps a through e as outlined in Paragraph 5-19.

c. Adjust R307 so that the transient response is as shown in Figure 5-8.

5-52 PREREGULATOR TRACKING (60Hz OPERATION)

5-53 To adjust the preregulator control circuit with a 60Hz ac input, proceed as follows:

a. Connect proper load resistor across output terminals of supply. Resistance value to be as follows:

<u>Model</u>	6282A	6285A	6286A	6290A	6291A	6296A
<u>Res.</u>	1 Ω	4 Ω	2 Ω	13 Ω	8 Ω	20 Ω

b. Connect DC voltmeter between TP27 and TP90 (across series regulator).

c. Turn on supply and adjust VOLTAGE controls for maximum rated output voltage.

d. Adjust R711 so that DC voltmeter reads 3 \pm 0.2Vdc.

5-54 PREREGULATOR TRACKING (50Hz OPERATION)

5-55 To adjust the preregulator control circuit when the ac input is from a 50Hz source, proceed as follows:

a. Connect load resistor across rear output terminal of supply. Resistor value to be as follows:

<u>Model</u>	6282A	6285A	6286A	6290A	6291A	6296A
<u>Res.</u>	1 Ω	4 Ω	2 Ω	13 Ω	8 Ω	20 Ω

b. Connect oscilloscope (dc coupled) across series regulator, T. P. 27 to T. P. 90.

c. Disconnect R709 in the SCR control circuit, and connect decade resistance box in its place.

d. Rotate CURRENT controls fully clockwise and turn on supply.

e. Decrease resistance of decade resistance from normal value of R709 until sawtooth waveform on oscilloscope is symmetrical (amplitude of 50Hz sawtooth waves are equal).

f. Replace decade resistance box with appropriate value resistor in R709 position.

g. Adjust ramp potentiometer R711 for 3.5Vdc drop across series regulator.

h. If 3.5 volts cannot be obtained, remove R712 (in series with R711) and connect the decade resistance box in its place.

i. Increase value of decade resistance box from normal value of R712 until 3.5Vdc drop is obtained across series regulator.

j. Remove decade resistance and connect new resistance value in R712 position.

SECTION VI REPLACEABLE PARTS

6-1 INTRODUCTION

6-2 This section contains information for ordering replacement parts. Table 6-4 lists parts in alpha-numeric order by reference designators and provides the following information:

- a. Reference Designators. Refer to Table 6-1.
- b. Description. Refer to Table 6-2 for abbreviations.
- c. Total Quantity (TQ). Given only the first time the part number is listed except in instruments containing many sub-modular assemblies, in which case the TQ appears the first time the part number is listed in each assembly.
- d. Manufacturer's Part Number or Type.
- e. Manufacturer's Federal Supply Code Number. Refer to Table 6-3 for manufacturer's name and address.
- f. Hewlett-Packard Part Number.
- g. Recommended Spare Parts Quantity (RS) for complete maintenance of one instrument during one year of isolated service.
- h. Parts not identified by a reference designator are listed at the end of Table 6-4 under Mechanical and/or Miscellaneous. The former consists of parts belonging to and grouped by individual assemblies; the latter consists of all parts not immediately associated with an assembly.

6-3 ORDERING INFORMATION

6-4 To order a replacement part, address order or inquiry to your local Hewlett-Packard sales office (see lists at rear of this manual for addresses). Specify the following information for each part: Model, complete serial number, and any Option or special modification (J) numbers of the instrument; Hewlett-Packard part number; circuit reference designator; and description. To order a part not listed in Table 6-4, give a complete description of the part, its function, and its location.

Table 6-1. Reference Designators

A = assembly	E = miscellaneous
B = blower (fan)	electronic part
C = capacitor	F = fuse
CB = circuit breaker	J = jack, jumper
CR = diode	K = relay
DS = device, signaling (lamp)	L = inductor
	M = meter

Table 6-1. Reference Designators (Continued)

P = plug	V = vacuum tube, neon bulb, photocell, etc.
Q = transistor	
R = resistor	
S = switch	VR = zener diode
T = transformer	X = socket
TB = terminal block	Z = integrated circuit or network
TS = thermal switch	

Table 6-2. Description Abbreviations

A = ampere	mfr = manufacturer
ac = alternating current	mod. = modular or modified
assy. = assembly	mtg = mounting
bd = board	n = nano = 10^{-9}
bkt = bracket	NC = normally closed
°C = degree Centigrade	NO = normally open
cd = card	NP = nickel-plated
coef = coefficient	Ω = ohm
comp = composition	obd = order by description
CRT = cathode-ray tube	OD = outside diameter
CT = center-tapped	p = pico = 10^{-12}
dc = direct current	P.C. = printed circuit
DPDT = double pole, double throw	pot. = potentiometer
DPST = double pole, single throw	p-p = peak-to-peak
elect = electrolytic	ppm = parts per million
encap = encapsulated	pvr = peak reverse voltage
F = farad	rect = rectifier
°F = degree Fahrenheit	rms = root mean square
fxd = fixed	Si = silicon
Ge = germanium	SPDT = single pole, double throw
H = Henry	SPST = single pole, single throw
Hz = Hertz	SS = small signal
IC = integrated circuit	T = slow-blow
ID = inside diameter	tan. = tantalum
incnd = incandescent	Ti = titanium
k = kilo = 10^3	V = volt
m = milli = 10^{-3}	var = variable
M = mega = 10^6	ww = wirewound
μ = micro = 10^{-6}	W = Watt
met. = metal	

Table 6-3. Code List of Manufacturers

CODE NO.	MANUFACTURER	ADDRESS	CODE NO.	MANUFACTURER	ADDRESS
00629	EBY Sales Co., Inc.	Jamaica, N. Y.	07138	Westinghouse Electric Corp.	
00656	Aerovox Corp.	New Bedford, Mass.		Electronic Tube Div.	Elmira, N. Y.
00853	Sangamo Electric Co.		07263	Fairchild Camera and Instrument Corp.	Semiconductor Div.
	S. Carolina Div.	Pickens, S. C.			Mountain View, Calif.
01121	Allen Bradley Co.	Milwaukee, Wis.	07387	Birtcher Corp., The	Los Angeles, Calif.
01255	Litton Industries, Inc.	Beverly Hills, Calif.	07397	Sylvania Electric Prod. Inc.	
				Sylvania Electronic Systems	
01281	TRW Semiconductors, Inc.	Lawndale, Calif.		Western Div.	Mountain View, Calif.
01295	Texas Instruments, Inc.		07716	IRC Div. of TRW Inc.	Burlington Plant
	Semiconductor-Components Div.				Burlington, Iowa
		Dallas, Texas	07910	Continental Device Corp.	
01686	RCL Electronics, Inc.	Manchester, N. H.			Hawthorne, Calif.
01930	Amerock Corp.	Rockford, Ill.	07933	Raytheon Co. Components Div.	
02107	Sparta Mfg. Co.	Dover, Ohio		Semiconductor Operation	
02114	Ferroxcube Corp.	Saugerties, N. Y.			Mountain View, Calif.
02606	Fenwal Laboratories	Morton Grove, Ill.	08484	Breeze Corporations, Inc.	Union, N. J.
02660	Amphenol Corp.	Broadview, Ill.	08530	Reliance Mica Corp.	Brooklyn, N. Y.
02735	Radio Corp. of America, Solid State and Receiving Tube Div.	Somerville, N. J.	08717	Sloan Company, The	Sun Valley, Calif.
			08730	Vemaline Products Co. Inc.	Wyckoff, N. J.
03508	G. E. Semiconductor Products Dept.	Syracuse, N. Y.	08806	General Elect. Co. Miniature Lamp Dept.	Cleveland, Ohio
03797	Eldema Corp.	Compton, Calif.	08863	Nylomatic Corp.	Norrisville, Pa.
03877	Transitron Electronic Corp.	Wakefield, Mass.	08919	RCH Supply Co.	Vernon, Calif.
			09021	Airco Speer Electronic Components	
03888	Pyrofilm Resistor Co. Inc.	Cedar Knolls, N. J.			Bradford, Pa.
04009	Arrow, Hart and Hegeman Electric Co.	Hartford, Conn.	09182	*Hewlett-Packard Co. New Jersey Div.	
					Berkeley Heights, N. J.
04072	ADC Electronics, Inc.	Harbor City, Calif.	09213	General Elect. Co. Semiconductor Prod. Dept.	Buffalo, N. Y.
04213	Caddell & Burns Mfg. Co. Inc.	Mineola, N. Y.	09214	General Elect. Co. Semiconductor Prod. Dept.	Auburn, N. Y.
04404	*Hewlett-Packard Co. Palo Alto Div.	Palo Alto, Calif.	09353	C & K Components Inc.	Newton, Mass.
04713	Motorola Semiconductor Prod. Inc.	Phoenix, Arizona	09922	Burdy Corp.	Norwalk, Conn.
05277	Westinghouse Electric Corp. Semiconductor Dept.	Youngwood, Pa.	11115	Wagner Electric Corp.	
05347	Ultronix, Inc.	Grand Junction, Colo.		Tung-Sol Div.	Bloomfield, N. J.
05820	Wakefield Engr. Inc.	Wakefield, Mass.	11236	CTS of Berne, Inc.	Berne, Ind.
06001	General Elect. Co. Electronic Capacitor & Battery Dept.	Irmo, S. C.	11237	Chicago Telephone of Cal. Inc.	
06004	Bassik Div. Stewart-Warner Corp.	Bridgeport, Conn.			So. Pasadena, Calif.
06486	IRC Div. of TRW Inc. Semiconductor Plant	Lynn, Mass.	11502	IRC Div. of TRW Inc. Boone Plant	Boone, N. C.
06540	Amatom Electronic Hardware Co. Inc.	New Rochelle, N. Y.	11711	General Instrument Corp. Rectifier Div.	Newark, N. J.
06555	Beede Electrical Instrument Co.	Penacook, N. H.	12136	Philadelphia Handle Co. Inc.	
06666	General Devices Co. Inc.	Indianapolis, Ind.			Camden, N. J.
06751	Semcor Div. Components, Inc.	Phoenix, Arizona	12615	U. S. Terminals, Inc.	Cincinnati, Ohio
06776	Robinson Nugent, Inc.	New Albany, Ind.	12617	Hamlin Inc.	Lake Mills, Wisconsin
06812	Torrington Mfg. Co., West Div.	Van Nuys, Calif.	12697	Clarostat Mfg. Co. Inc.	Dover, N. H.
			13103	Thermalloy Cp.	Dallas, Texas
07137	Transistor Electronics Corp.	Minneapolis, Minn.	14493	*Hewlett-Packard Co. Loveland Div.	Loveland, Colo.
			14655	Cornell-Dubilier Electronics Div. Federal Pacific Electric Co.	Newark, N. J.
			14936	General Instrument Corp. Semiconductor Prod. Group	Hicksville, N. Y.
			15801	Fenwal Elect.	Framingham, Mass.
			16299	Corning Glass Works, Electronic Components Div.	Raleigh, N. C.

*Use Code 28480 assigned to Hewlett-Packard Co., Palo Alto, California

Table 6-3. Code List of Manufacturers (Continued)

CODE NO.	MANUFACTURER	ADDRESS	CODE NO.	MANUFACTURER	ADDRESS
16758	Delco Radio Div. of General Motors Corp.	Kokomo, Ind.	70563	Amperite Co. Inc.	Union City, N. J.
17545	Atlantic Semiconductors, Inc.	Asbury Park, N. J.	70901	Beemer Engrg. Co.	Fort Washington, Pa.
17803	Fairchild Camera and Instrument Corp Semiconductor Div. Transducer Plant	Mountain View, Calif.	70903	Belden Corp.	Chicago, Ill.
17870	Daven Div. Thomas A. Edison Industries	Orange, N. J.	71218	Bud Radio, Inc.	Willoughby, Ohio
18324	Signetics Corp.	Sunnyvale, Calif.	71279	Cambridge Thermionic Corp.	Cambridge, Mass.
19315	Bendix Corp. The Navigation and Control Div.	Teterboro, N. J.	71400	Bussmann Mfg. Div. of McGraw & Edison Co.	St. Louis, Mo.
19701	Electra/Midland Corp.	Mineral Wells, Texas	71450	CTS Corp.	Elkhart, Ind.
21520	Fansteel Metallurgical Corp.	No. Chicago, Ill.	71468	I. T. T. Cannon Electric Inc.	Los Angeles, Calif.
22229	Union Carbide Corp. Electronics Div.	Mountain View, Calif.	71590	Globe-Union Inc.	Milwaukee, Wis.
22753	UID Electronics Corp.	Hollywood, Fla.	71700	General Cable Corp. Cornish Wire Co. Div.	Williamstown, Mass.
23936	Pamotor, Inc.	Pampa, Texas	71707	Coto Coil Co. Inc.	Providence, R. I.
24446	General Electric Co.	Schenectady, N. Y.	71744	Chicago Miniature Lamp Works	Chicago, Ill.
24455	General Electric Co. Lamp Div. of Con- sumer Prod. Group	Nela Park, Cleveland, Ohio	71785	Cinch Mfg. Co. and Howard B. Jones Div.	Chicago, Ill.
24655	General Radio Co.	West Concord, Mass.	71984	Dow Corning Corp.	Midland, Mich.
24681	LTV Electrosystems Inc Memcor/Com- ponents Operations	Huntington, Ind.	72136	Electro Motive Mfg. Co. Inc.	Willimantic, Conn.
26982	Dynacool Mfg. Co. Inc.	Saugerties, N. Y.	72619	Dialight Corp.	Brooklyn, N. Y.
27014	National Semiconductor Corp.	Santa Clara, Calif.	72699	General Instrument Corp.	Newark, N. J.
28480	Hewlett-Packard Co.	Palo Alto, Calif.	72765	Drake Mfg. Co.	Harwood Heights, Ill.
28520	Heyman Mfg. Co.	Kenilworth, N. J.	72962	Elastic Stop Nut Div. of Amerace Esna Corp.	Union, N. J.
28875	IMC Magnetics Corp.	Rochester, N. H.	72982	Erie Technological Products Inc.	Erie, Pa.
31514	SAE Advance Packaging, Inc.	Santa Ana, Calif.	73096	Hart Mfg. Co.	Hartford, Conn.
31827	Budwig Mfg. Co.	Ramona, Calif.	73138	Beckman Instruments Inc.	Fullerton, Calif.
33173	G. E. Co. Tube Dept.	Owensboro, Ky.	73168	Helipot Div.	Ashland, Mass.
35434	Lectrohm, Inc.	Chicago, Ill.	73293	Fenwal, Inc.	Torrance, Calif.
37942	P. R. Mallory & Co. Inc.	Indianapolis, Ind.	73445	Hughes Aircraft Co. Electron Dynamics Div.	Torrance, Calif.
42190	Muter Co.	Chicago, Ill.	73506	Amperex Electronic Corp.	Hicksville, N. Y.
43334	New Departure-Hyatt Bearings Div.	Sandusky, Ohio	73559	Bradley Semiconductor Corp.	New Haven, Conn.
44655	Ohmite Manufacturing Co.	Skokie, Ill.	73734	Carling Electric, Inc.	Hartford, Conn.
46384	Penn Engr. and Mfg. Corp.	Doylestown, Pa.	73734	Federal Screw Products, Inc.	Chicago, Ill.
47904	Polaroid Corp.	Cambridge, Mass.	74193	Heinemann Electric Co.	Trenton, N. J.
49956	Raytheon Co.	Lexington, Mass.	74545	Hubbell Harvey Inc.	Bridgeport, Conn.
55026	Simpson Electric Co. Div. of American Gage and Machine Co.	Chicago, Ill.	74868	Amphenol Corp. Amphenol RF Div.	Danbury, Conn.
56289	Sprague Electric Co.	North Adams, Mass.	74970	E. F. Johnson Co.	Waseca, Minn.
58474	Superior Electric Co.	Bristol, Conn.	75042	IRC Div. of TRW, Inc.	Philadelphia, Pa.
58849	Syntron Div. of FMC Corp.	Homer City, Pa.	75183	*Howard B. Jones Div. of Cinch Mfg. Corp.	New York, N. Y.
59730	Thomas and Betts Co.	Philadelphia, Pa.	75376	Kurz and Kasch, Inc.	Dayton, Ohio
61637	Union Carbide Corp.	New York, N. Y.	75382	Kilka Electric Corp.	Mt. Vernon, N. Y.
63743	Ward Leonard Electric Co.	Mt. Vernon, N. Y.	75915	Littlefuse, Inc.	Des Plaines, Ill.
			76381	Minnesota Mining and Mfg. Co.	St. Paul, Minn.
			76385	Minor Rubber Co. Inc.	Bloomfield, N. J.
			76487	James Millen Mfg. Co. Inc.	Malden, Mass.
			76493	J. W. Miller Co.	Compton, Calif.

*Use Code 71785 assigned to Cinch Mfg. Co., Chicago, Ill.

Table 6-3. Code List of Manufacturers (Continued)

CODE NO.	MANUFACTURER	ADDRESS	CODE NO.	MANUFACTURER	ADDRESS
76530	Cinch	City of Industry, Calif.	83508	Grant Pulley and Hardware Co.	West Nyack, N. Y.
76854	Oak Mfg. Co. Div. of Oak	Crystal Lake, Ill.	83594	Burroughs Corp. Electronic	Plainfield, N. J.
77068	Electro/Netics Corp.	Crystal Lake, Ill.		Components Div.	Plainfield, N. J.
	Bendix Corp., Electrodynamics Div.	No. Hollywood, Calif.	83835	U. S. Radium Corp.	Morristown, N. J.
77122	Palnut Co.	Mountainside, N. J.	83877	Yardeny Laboratories, Inc.	New York, N. Y.
77147	Patton-MacGuyer Co.	Providence, R. I.	84171	Arco Electronics, Inc.	Great Neck, N. Y.
77221	Phaoston Instrument and Electronic Co.	South Pasadena, Calif.	84411	TRW Capacitor Div.	Ogallala, Neb.
77252	Philadelphia Steel and Wire Corp.	Philadelphia, Pa.	86684	RCA Corp. Electronic Components	Harrison, N. J.
77342	American Machine and Foundry Co.	Princeton, Ind.	86838	Rummel Fibre Co.	Newark, N. J.
77630	Potter and Brumfield Div.	Princeton, Ind.	87034	Marco & Oak Industries a Div. of Oak	Anaheim, Calif.
	TRW Electronic Components Div.	Camden, N. J.	87216	Philco Corp. Lansdale Div.	Lansdale, Pa.
77764	Resistance Products Co.	Harrisburg, Pa.	87585	Stockwell Rubber Co. Inc.	Philadelphia, Pa.
78189	Illinois Tool Works Inc. Shakeproof Div.	Elgin, Ill.	87929	Tower-Olschan Corp.	Bridgeport, Conn.
78452	Everlock Chicago, Inc.	Chicago, Ill.	88140	Cutler-Hammer Inc. Power Distribution	and Control Div. Lincoln Plant
78488	Stackpole Carbon Co.	St. Marys, Pa.			Lincoln, Ill.
78526	Stanwyck Winding Div. San Fernando	Newburgh, N. Y.	88245	Litton Precision Products Inc, USECO	Van Nuys, Calif.
	Electric Mfg. Co. Inc.	Newburgh, N. Y.		Div. Litton Industries	Van Nuys, Calif.
78553	Tinnerman Products, Inc.	Cleveland, Ohio	90634	Gulton Industries Inc.	Metuchen, N. J.
78584	Stewart Stamping Corp.	Yonkers, N. Y.	90763	United-Car Inc.	Chicago, Ill.
79136	Waldes Kohinoor, Inc.	L. I. C., N. Y.	91345	Miller Dial and Nameplate Co.	El Monte, Calif.
79307	Whitehead Metals Inc.	New York, N. Y.	91418	Radio Materials Co.	Chicago, Ill.
79727	Continental-Wirt Electronics Corp.	Philadelphia, Pa.	91506	Augat, Inc.	Attleboro, Mass.
		Mt. Kisco, N. Y.	91637	Dale Electronics, Inc.	Columbus, Neb.
79963	Zierick Mfg. Co.	Mt. Kisco, N. Y.	91662	Elco Corp.	Willow Grove, Pa.
80031	Mepco Div. of Sessions Clock Co.	Morristown, N. J.	91929	Honeywell Inc. Div. Micro Switch	Freeport, Ill.
80294	Bourms, Inc.	Riverside, Calif.			Schiller Pk., Ill.
81042	Howard Industries Div. of Msl Ind. Inc.	Racine, Wisc.	92825	Whitso, Inc.	Schiller Pk., Ill.
		La Grange, Ill.	93332	Sylvania Electric Prod. Inc. Semi-	Woburn, Mass.
81073	Grayhill, Inc.	La Grange, Ill.		conductor Prod. Div.	Woburn, Mass.
81483	International Rectifier Corp.	El Segundo, Calif.	93410	Essex Wire Corp. Stemco	Mansfield, Ohio
		El Segundo, Calif.		Controls Div.	Mansfield, Ohio
81751	Columbus Electronics Corp.	Yonkers, N. Y.	94144	Raytheon Co. Components Div.	Quincy, Mass.
82099	Goodyear Sundries & Mechanical Co. Inc.	New York, N. Y.	94154	Wagner Electric Corp.	Livingston, N. J.
82142	Airco Speer Electronic Components	Du Bois, Pa.		Tung-Sol Div.	Livingston, N. J.
		Du Bois, Pa.	94222	Southco Inc.	Lester, Pa.
82219	Sylvania Electric Products Inc.	Emporium, Pa.	95263	Leecraft Mfg. Co. Inc.	L. I. C., N. Y.
	Electronic Tube Div. Receiving	Emporium, Pa.	95354	Methode Mfg. Co.	Rolling Meadows, Ill.
	Tube Operations	Emporium, Pa.	95712	Bendix Corp. Microwave	Franklin, Ind.
82389	Switchcraft, Inc.	Chicago, Ill.		Devices Div.	Franklin, Ind.
82647	Metals and Controls Inc. Control	Attleboro, Mass.	95987	Weckesser Co. Inc.	Chicago, Ill.
	Products Group	Attleboro, Mass.	96791	Amphenol Corp. Amphenol	Janesville, Wis.
82866	Research Products Corp.	Madison, Wis.		Controls Div.	Janesville, Wis.
82877	Rotron Inc.	Woodstock, N. Y.	97464	Industrial Retaining Ring Co.	Irvington, N. J.
82893	Vector Electronic Co.	Glendale, Calif.			Irvington, N. J.
83058	Carr Fastener Co.	Cambridge, Mass.	97702	IMC Magnetics Corp. Eastern Div.	Westbury, N. Y.
83186	Victory Engineering Corp.	Springfield, N. J.			Westbury, N. Y.
		Springfield, N. J.	98291	Seaelectro Corp.	Mamaroneck, N. Y.
83298	Bendix Corp. Electric Power Div.	Eatontown, N. J.	98410	ETC Inc.	Cleveland, Ohio
		Eatontown, N. J.	98978	International Electronic Research Corp.	Burbank, Calif.
83330	Herman H. Smith, Inc.	Brooklyn, N. Y.			Burbank, Calif.
83385	Central Screw Co.	Chicago, Ill.	99934	Renbrandt, Inc.	Boston, Mass.
83501	Gavitt Wire and Cable Div. of	Brookfield, Mass.			Boston, Mass.
	Amerace Esna Corp.	Brookfield, Mass.			Boston, Mass.

Reference Designator	Description	Quantity	Mfr. Part # or Type	Mfr.	Mfr. Code	Stock No.	RS
C100	fxd, film 0.082 μ f 200v	1	192P82392	Sprague	56289	0160-0167	1
C200	fxd, film .0047 μ f 200v	1	192P47292	Sprague	56289	0160-0157	1
C300	fxd, film 0.22 μ f 80v	1	192P2249R8	Sprague	56289	0160-2453	1
C301-303	fxd, film 0.0022 μ f 200v	3	192P22292	Sprague	56289	0160-0154	1
C500	fxd, elect 34,000 μ f 30v	1	4S19567D40073	Sprague	56289	0180-1930	1
C501	fxd, paper 0.1 μ f 400v	1	160P10494	Sprague	56289	0160-0013	1
C600	fxd, elect 325 μ f 35v	1	D34656	Sprague	56289	0180-0332	1
C601,602, 702,801	fxd, elect 5 μ f 65v	4	D33689	Sprague	56289	0180-1836	1
C700	fxd, elect 1 μ f 35v	1	150D105X9035A2	Sprague	56289	0180-0291	1
C701	fxd, elect 1 μ f 50v	1	30D105G050BA4	Sprague	56289	0180-0108	1
C703	fxd, film 0.1 μ f 200v	1	192P10492	Sprague	56289	0160-0168	1
C800	fxd, elect 1500 μ f 40v	1	D38733	Sprague	56289	0180-1894	1
C802	fxd, elect 40 μ f 50v	1	D30491	Sprague	56289	0180-1849	1
C803	fxd, elect 5,600 μ f 25v	1	D40018	Sprague	56289	0180-1921	1
C804	fxd, film 1 μ f 200v	1	118P10592S3	Sprague	56289	0160-2465	1
C805	fxd, film 4.7 μ f 35v	1	150D475X9035B2	Sprague	56289	0180-0100	1
C900	fxd, elect 20 μ f 50v	1	30D206G050DC4	Sprague	56289	0180-0049	1
CR100,102,200,300,301,500, 700,711,802,807,808, 900,901	Si. Diode 200ma 180prv	24		HLAB	09182	1901-0033	9
CR400,809	Si. Rect. 12A @ 150°C 100prv	2	1N1200A	R. C. A.	02735	1901-0002	2
CR401,403,404, 600,601,800, 801,902	Si. Rect. 500ma 200prv	8	1N3253	R. C. A.	02735	1901-0389	6
CR402,602, 803-806	Si. Diode 200ma 10prv	6		HLAB	09182	1901-0461	6
CR501,503	Si. Rect. 20A @ 110°C 50prv	2	A40F	G. E.	03508	1901-0323	2
CR502,504	SCR 20A 50prv	2	MCR-649P-2	Motorola	04713	1884-0005	2
F1	Fuse cartridge 4A @ 3AG	1	312004	Littlefuse	75915	2110-0055	5
Q100,200	Si NPN diff. amp.	2		HLAB	09182	1854-0229	2
Q300,301, 601-603	Si. NPN	5	4JX16A1014	G. E.	03508	1843-0071	5
Q302,700,701, 801,802	Si. NPN	5	2N3417	G. E.	03508	1854-0087	5
Q303,400, 401	Si. NPN Power $\beta = 35 @ 4ADC$	3		HLAB	09182	1854-0225	3
Q600	Si. PNP	1	40362	R. C. A.	02735	1853-0041	1
Q702,800,850, 852,853	Si. PNP	5	2N2907A	Sprague	56289	1853-0099	5
Q851	Si. NPN diff. amp.	1		HLAB	09182	1854-0221	1
Q854	NOT ASSIGNED	-	-	-	-	-	-
R100,202, 819	fxd, film 160K Ω $\pm 1\%$ 1/8w	3		I. R. C.	07716	0698-5092	1
R101,201, 820	fxd, film 61.9K Ω $\pm 1\%$ 1/8w	3		I. R. C.	07716	0757-0460	1
R102,108, 204	fxd, film 432K Ω $\pm 1\%$ 1/8w	3		I. R. C.	07716	0757-0480	1
R103,306, 815	fxd, comp 1K Ω $\pm 5\%$ 1/8w	3		A. B.	01121	0686-1025	1
R104	fxd, ww 490 Ω $\pm 5\%$ 3w 20ppm	1	242E-4915	Sprague	56289	0811-1801	1
R105,206	fxd, film 33.0K Ω $\pm 1\%$ 1/8w	2		I. R. C.	07716	0698-5089	1
R106,200 203	fxd, film 1.5K Ω $\pm 1\%$ 1/8w	3		I. R. C.	07716	0757-0427	1
R107,205	fxd, film 47.5K Ω $\pm 1\%$ 1/8w	2		I. R. C.	07716	0757-0457	1

Reference Designator	Description	Quantity	Mfr. Part # or Type	Mfr.	Mfr. Code	Stock No	RS
R300	fxd, comp 330K Ω \pm 5% $\frac{1}{2}$ w	1		A. B.	01121	0686-3345	1
R301	fxd, comp 39 Ω \pm 5% $\frac{1}{2}$ w	1		A. B.	01121	0686-3905	1
R302, 303	fxd, comp 36K Ω \pm 5% $\frac{1}{2}$ w	2		A. B.	01121	0686-3635	1
R304	fxd, comp 75 Ω \pm 5% $\frac{1}{2}$ w	1		A. B.	01121	0686-7505	1
R305	fxd, comp 6.2K Ω \pm 5% $\frac{1}{2}$ w	1		A. B.	01121	0686-6225	1
R307	var. ww 10K Ω Series 70	1		C. T. S.	71450	2100-0092	1
R308	fxd, comp 750 Ω \pm 5% $\frac{1}{2}$ w	1		A. B.	01121	0686-7515	1
R309	fxd, ww 25 Ω \pm 5% 40w	1	Type 817	W. L.	63743	-	1
R310	fxd, comp 47K Ω \pm 5% $\frac{1}{2}$ w	1		A. B.	01121	0686-4735	1
R311	fxd, ww 1 Ω \pm 5%	1	Type BWH	I. R. C.	07716	0811-1666	1
R312, 811, 812	fxd, ww 100 Ω \pm 5% $\frac{1}{2}$ w	3		A. B.	01121	0686-1015	1
R313	fxd, comp 10K Ω \pm 5% $\frac{1}{2}$ w	1		A. B.	01121	0686-1035	1
R400, 401	fxd, ww 0.125 Ω \pm 5% 5w	2	5XWL	W. L.	63743	0811-1846	1
R500	fxd, ww 150 Ω \pm 5% 10w	1	247E1515	W. L.	63743	0811-1906	1
R501, 502	fxd, comp 47 Ω \pm 5% $\frac{1}{2}$ w	2		A. B.	01121	0686-4705	1
R503	fxd, comp 200 Ω \pm 5% $\frac{1}{2}$ w	1		A. B.	01121	0686-2015	1
R600	fxd, comp 100K Ω \pm 5% $\frac{1}{2}$ w	1		A. B.	01121	0686-1045	1
R601	fxd, film 1K Ω \pm 1% $\frac{1}{4}$ w	1		I. R. C.	07716	0757-0338	1
R602, 871	fxd, film 1.33K Ω \pm 1% $\frac{1}{4}$ w	2		I. R. C.	07716	0698-3134	1
R603	fxd, film 2K Ω \pm 1% $\frac{1}{4}$ w	1		I. R. C.	07716	0757-0739	1
R604, 806, 808	fxd, comp SELECTED \pm 5% $\frac{1}{2}$ w	3	-	A. B.	01121	-	-
R605, 608-610	fxd, film 6.2K Ω \pm 1% $\frac{1}{4}$ w	4		I. R. C.	07716	0698-5149	1
R606	fxd, film 9.31K Ω \pm 1% $\frac{1}{4}$ w	1		I. R. C.	07716	0698-3283	1
R607	fxd, film 560 Ω \pm 1% $\frac{1}{4}$ w	1		I. R. C.	07716	0698-5146	1
R611	fxd, ww 390 Ω \pm 5% 3w 20ppm	1	242E3915	Sprague	56289	0811-1799	1
R700	fxd, film 270 Ω \pm 5% 2w	1	Type C42S	Corning	16299	0698-3629	1
R701	fxd, comp 24 Ω \pm 5% $\frac{1}{2}$ w	1		A. B.	01121	0686-2405	1
R702	fxd, ww 2.4K Ω \pm 5% 3w 20ppm	1	242E2425	Sprague	56289	0811-1807	1
R703	fxd, comp 3.9K Ω \pm 5% $\frac{1}{2}$ w	1		A. B.	01121	0686-3925	1
R704	fxd, comp 9.1K Ω \pm 5% $\frac{1}{2}$ w	1		A. B.	01121	0686-9125	1
R705	fxd, comp 110K Ω \pm 5% $\frac{1}{2}$ w	1		A. B.	01121	0686-1145	1
R706	fxd, comp 4.7 Ω \pm 5% 1w	1		A. B.	01121	0689-0475	1
R707	fxd, comp 5.6K Ω \pm 5% $\frac{1}{2}$ w	1		A. B.	01121	0686-5625	1
R708	fxd, comp 6.2K Ω \pm 5% $\frac{1}{2}$ w	1		A. B.	01121	0686-6225	1
R709	fxd, comp 20K Ω \pm 5% $\frac{1}{2}$ w	1		A. B.	01121	0686-2035	1
R710	fxd, comp 220K Ω \pm 5% $\frac{1}{2}$ w	1		A. B.	01121	0686-2245	1
R711	var. ww 5K Ω	1	Type 110-F4	C. T. S.	11236	2100-1824	1
R712	fxd, comp 12K Ω \pm 5% $\frac{1}{2}$ w	1		A. B.	01121	0686-1235	1
R713, 822	fxd, comp 82K Ω \pm 5% $\frac{1}{2}$ w	2		A. B.	01121	0686-8235	1
R800A, 800B	fxd, ww 0.2 Ω \pm 5% 40w 20ppm	2		HLAB	09182	0818-0059	1
R805	fxd, ww 2K Ω \pm 5% 3w 20ppm	1	242E2025	Sprague	56289	0811-1806	1
R807	fxd, ww 7.5K Ω \pm 5% 3w 20ppm	1	242E7525	Sprague	56289	0811-1815	1
R809, 810	var. ww 1.2K Ω - 20 Ω DUAL	1	100149-8	C. T. S.	11236	2100-1803	1
R813, 814	var. ww 2.5K Ω - 20 Ω DUAL	1	100149-10	C. T. S.	11236	2100-1804	1
R816	fxd, comp 43K Ω \pm 5% $\frac{1}{2}$ w	1		A. B.	01121	0686-4335	1
R817	fxd, comp 62 Ω \pm 5% $\frac{1}{2}$ w	1		A. B.	01121	0686-6205	1
R818	fxd, comp 27K Ω \pm 5% $\frac{1}{2}$ w	1		A. B.	01121	0686-2735	1
R821	fxd, film 12K Ω \pm 1% 1/8w	1		I. R. C.	07716	0686-5088	1
R823	fxd, film 15K Ω \pm 1% 1/8w	1		I. R. C.	07716	0757-0446	1
R824	fxd, comp 15K Ω \pm 5% $\frac{1}{2}$ w	1		A. B.	01121	0686-1535	1
R825	fxd, film 100 Ω \pm 5% 2w	1	Type C42S	Corning	16299	0698-3620	1
R826	fxd, comp 3.3K Ω \pm 5% $\frac{1}{2}$ w	1		A. B.	01121	0686-3325	1
R827	fxd, ww 3 Ω \pm 5% 3w 20ppm	1	242E3R05	Sprague	56289	0811-1224	1
R828	fxd, comp 390K Ω \pm 5% $\frac{1}{2}$ w	1		A. B.	01121	0686-3945	1
R850	fxd, film 11K Ω \pm 1% 1/8w	1		I. R. C.	07716	0757-0754	1
R851, 854, 856, 859	metal film 900 Ω \pm 1% 1/8w	4		I. R. C.	07716	0757-1099	1
R852, 853	fxd, comp 100 Ω \pm 1% 1/8w	2		I. R. C.	07716	0757-0401	1
R855, 865	var. ww 250 Ω	2	Type 110-F4	C. T. S.	11236	2100-0439	1
R857	fxd, comp 5.2K Ω \pm 1% $\frac{1}{4}$ w	1		I. R. C.	07716	0698-5148	1

6282A

6-6

Reference Designator	Description	Quantity	Mfr. Part # or Type	Mfr.	Mfr. Code	Stock No.	RS
R858	fxd, comp 9.31K Ω \pm 1% $\frac{1}{4}$ w	1		I. R. C.	07716	0698-3283	1
R860, 863	fxd, comp 365 Ω \pm 1% $\frac{1}{4}$ w	2		I. R. C.	07716	0757-0723	1
R861, 862, 864, 867	fxd, film 3.40K Ω \pm 1% $\frac{1}{4}$ w	4		I. R. C.	07716	0698-4640	1
R866	fxd, film 750 Ω \pm 1% 1/8w	1		I. R. C.	07716	0757-0420	1
R868, 869	fxd, film 36.5K Ω \pm 1% $\frac{1}{4}$ w	2		I. R. C.	07716	0757-0765	1
R870	var. ww 10K Ω	1	Type 110-F4	C. T. S.	11236	2100-0396	1
R872	fxd, film 2K Ω \pm 1% 1/8w	1		I. R. C.	07716	0757-0283	1
R900	fxd, comp 39K Ω \pm 5% $\frac{1}{2}$ w	1		A. B.	01121	0686-3935	1
R901	fxd, comp 180K Ω \pm 5% $\frac{1}{2}$ w	1		A. B.	01121	0686-1845	1
R902	fxd, comp 3K Ω \pm 5% $\frac{1}{2}$ w	1		A. B.	01121	0686-3025	1
R903	fxd, comp 33K Ω \pm 5% $\frac{1}{2}$ w	1		A. B.	01121	0686-3335	1
S1	Switch, P. L. Lt. (red) ON/OFF	1	54-61681 - 26 A1H	Oak	87034	3101-0100	1
S2	Switch, rotary (meter) 3 pole 4 position	1	100311-A	C. T. S.	11236	3100-1910	1
T700	Pulse Transformer	1	620792	HLAB	09182	9100-1824	1
T800	Power Transformer	1		HLAB	09182	9100-1841	1
T801	Bias Transformer	1		HLAB	09182	9100-1832	1
VR300	Diode, zener 4.22V	1		HLAB	09182	1902-3070	1
VR600	Diode, zener 9.4V	1	1N2163	U. S. Semcor	06751	1902-0762	1
VR601	Diode, zener 6.2V	1	1N821	N. A. Elect.	06486	1902-0761	1
	Meter 3 $\frac{1}{2}$ " DUAL 0-12V, 0-12A	1		HLAB	09182	1120-1132	1
	Meter Bezel $\frac{1}{4}$ Mod.	1		HLAB	09182	4040-0294	1
	Meter Spring	4		HLAB	09182	1460-0256	1
	Fuseholder	1	342014	Littlefuse	75915	1400-0048	1
	Binding post, Maroon	1	DF21RC	Superior	58474	1510-0040	1
	Binding post, Black	2	DF21BC	Superior	58474	1510-0039	1
	Rubber bumper	4	MB-50	Stockwell	87575	0403-0088	1
	Knob, 5/8 dia. black	1		HLAB	09182	0370-0084	1
	Pointer knob, 5/8 dia.	2		HLAB	09182	0370-0101	1
	Knob $\frac{1}{2}$ dia. red	2		HLAB	09182	0370-0100	1
	Barrier strip	1	100237-15	Kulka	75382	-	1
	Line cord 7 $\frac{1}{2}$ ft. PH151	1	HK4701	Beldon	70903	8120-0050	1
	Strain relief bushing	1	SR-5P-1	Heyco	28520	0400-0013	1
	Mica Washer	2	734	HLAB	09182	0340-0174	1
	Mica Washer .255 ID .005 Thk.	4	1" Dia.	HLAB	09182	-	1
	Capacitor Clamp 3" dia.	1	4586-2A	Sprague	56289	-	1
	Mica Washer .195 ID .005 Thk.	2	5/8" Dia.	HLAB	09182	-	1
	Fastener (U $\frac{1}{2}$ Type)	9	#6-32 th'd	Tinnerman	89032	0510-0275	2
	Delrin bushing	6	100151-2	HLAB	09182	0340-0169	2
	Delrin bushing	2	100151-4	HLAB	09182	0340-0171	1
	Jumper (barrier strip)	9	422-13911 013	Cinch	71785	-	2
	Handle, 8", black	1	7835	HLAB	09182	1440-0042	1

Reference Designator	Description	Quantity	Mfr. Part # or Type	Mfr.	Mfr. Code	Stock No.	RS
OPTION 07:	Voltage 10-Turn Potentiometer	1	Series 8400	I.R.C.	07716	2100-2029	1
OPTION 08:	Current 10-Turn Potentiometer	1	Series 8400	I.R.C.	07716	2100-1864	1
OPTION 09:	Voltage/Current 10-Turn Pots.	1	(Includes:)				
	Voltage 10-Turn Potentiometer	1	Series 8400	I.R.C.	07716	2100-2029	1
	Current 10-Turn Potentiometer	1	Series 8400	I.R.C.	07716	2100-1864	1
OPTION 13:	Voltage Decadial Control	1	(Includes:)				
	Voltage 10-Turn Potentiometer	1	Series 8400	I.R.C.	07716	2100-2029	1
	Decadial Control	1	RD-411	I.R.C.	07716	1140-0020	1
OPTION 14:	Current Decadial Control	1	(Includes:)				
	Current 10-Turn Potentiometer	1	Series 8400	I.R.C.	07716	2100-1864	1
	Decadial Control	1	RD-411	I.R.C.	07716	1140-0020	1

APPENDIX A
Option 11, Overvoltage Protection "Crowbar"

DESCRIPTION:

This option is installed in DC Power Supplies, 6282A, 6285A, 6286A, 6290A, 6291A, and 6296A, and tested at the factory. It consists of a printed circuit board, screwdriver-type front panel potentiometer, and six wires that are soldered to the main power supply board.

The crowbar monitors the output voltage of the power supply and fires an SCR that shorts the output when it exceeds the preset trip voltage. The trip voltage is determined by the setting of the CROWBAR ADJUST control on the front panel. The trip voltage range is as follows:


Model	6282A	6285A	6286A	6290A	6291A	6296A
Trip Voltage Range	1-13V	2-22V	2-22V	5-42V	5-42V	6-66V

To prevent transients from falsely tripping the crowbar, the trip voltage must be set higher than the power supply output voltage by the following margin: 7% of the output voltage +1V. The margin represents the minimum crowbar trip setting for a given output voltage; the trip voltage can always be set higher than this margin.

OPERATION:

1. Turn the CROWBAR ADJUST fully clockwise to set the trip voltage to maximum.
2. Set the power supply VOLTAGE control for the desired crowbar trip voltage. To prevent false crowbar tripping, the trip voltage should exceed the desired output voltage by the following amount: 7% of the output voltage +1V.
3. Slowly turn the CROWBAR ADJUST ccw until the crowbar trips, output goes to 0 Volt.
4. The crowbar will remain activated and the output shorted until the supply is turned off. To reset the crowbar, turn the supply off, then on.

Table A-1. Replaceable Parts

REF. DESIG.	DESCRIPTION	TQ	MFR. PART NO.	MFR. CODE	 PART NO.	RS
C1,2	fxd, film .1 μ f 200Vdc	2	192P10492	56289	0160-0168	1
CR1-5	Diode, Si. 200mA 200prv	5	1N485B	09182	1901-0033	5
CR6	Rect. Si. 12A 100prv	1	1N1200A	02735	1901-0002	1
CR7	SCR 8A 200prv	1	2N3669	02735	1884-0019	1
Q1	SS NPN Si.	1	2N2714	03508	1854-0027	1
Q2	SS NPN Si.	1	2N3417	03508	1854-0087	1
R1	fxd, comp 750 Ω \pm 5% $\frac{1}{2}$ W	1	EB-7515	01121	0686-7515	1
R2	fxd, comp 200K Ω \pm 5% $\frac{1}{2}$ W	1	EB-2045	01121	0686-2045	1
R3	fxd, comp 10K Ω \pm 5% $\frac{1}{2}$ W	1	EB-1035	01121	0686-1035	1
R4	fxd, comp 3.9K Ω \pm 5% $\frac{1}{2}$ W	1	EB-3925	01121	0686-3925	1
R5	fxd, comp 100 Ω \pm 5% $\frac{1}{2}$ W	1	EB-1015	01121	0686-1015	1
R6	fxd, comp 4.7 Ω \pm 5% $\frac{1}{2}$ W	1	EB-47G5	01121	0698-0001	1
R7	fxd, comp 47 Ω \pm 5% $\frac{1}{2}$ W	1	EB-4705	01121	0686-4705	1
R8	fxd, met, ox. 270 Ω \pm 5% 2W	1	Type C42S	16299	0698-3629	1
R9	fxd, met. film 2K Ω \pm 1% 1/8W	1	Type CEA T-O	07716	0757-0283	1
R10	fxd, comp 180 Ω \pm 5% 1W	1	GB-1815	01121	0689-1815	1
R11	var. ww 5K Ω \pm 5% 2W	1		09182	2100-1853	1
R12	fxd, ww .25 Ω \pm 5% 5W	1		09182	0811-1847	1
T1	Pulse Transformer	1		09182	9100-1824	1
VR1	Diode, zener 5.62V \pm 5%	1	1N3512	07716	1902-3104	1
MISCELLANEOUS						
	Bushing, Potentiometer	1		09182	1410-0052	
	Nut, Hex	1		09182	2950-0034	
	Printed Circuit Board Assembly Includes Components	1		09182	06282-60021	
	Printed Circuit Board, Blank	1		09182	5020-5741	
	Printed Circuit Board, Bracket	1		09182	5000-6225	
	Front Panel	1		09182	06282-60003	

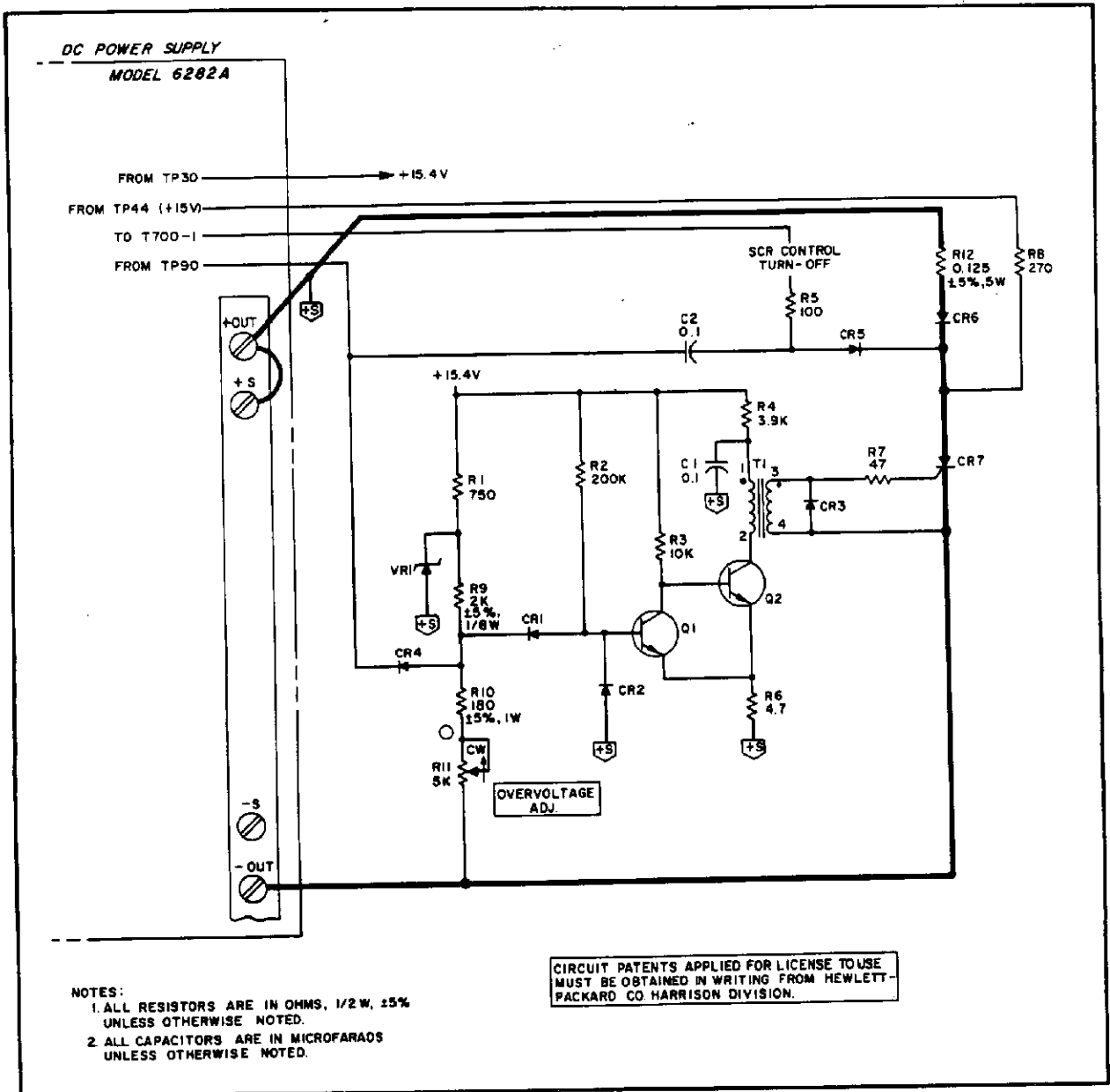
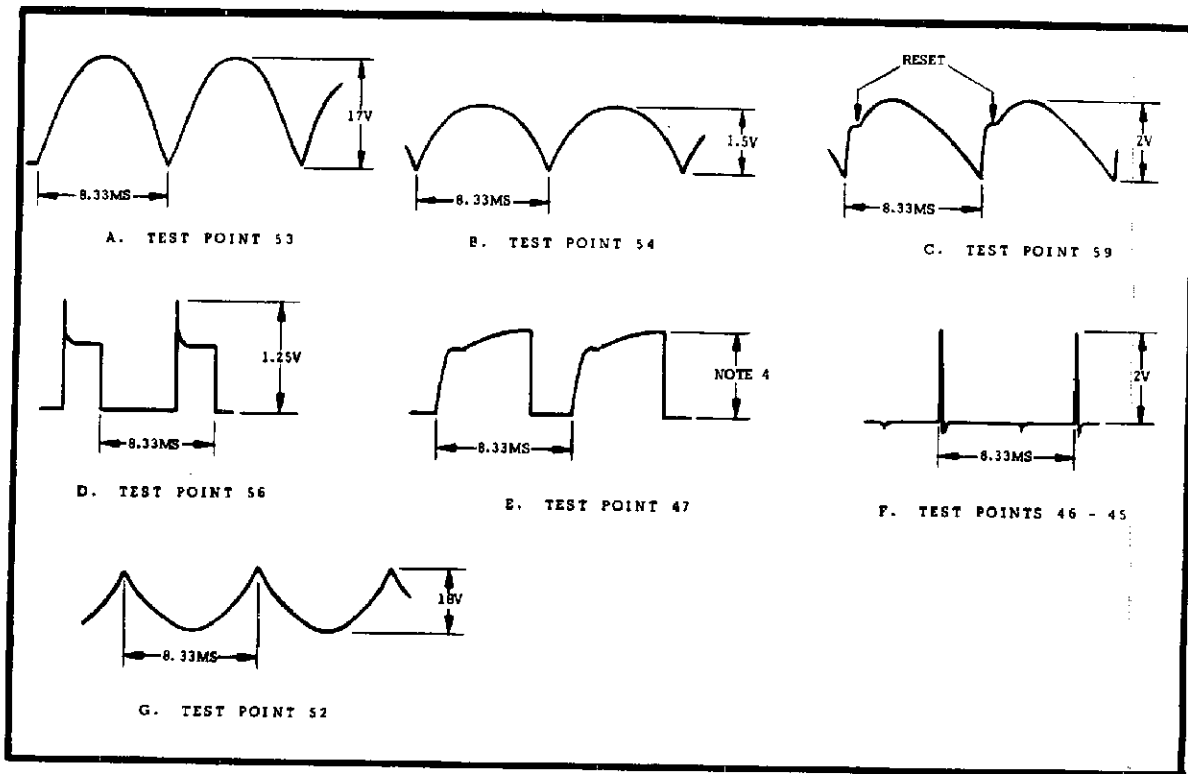


Figure A-1. Model 6282A, Overvoltage Protection "Crowbar"



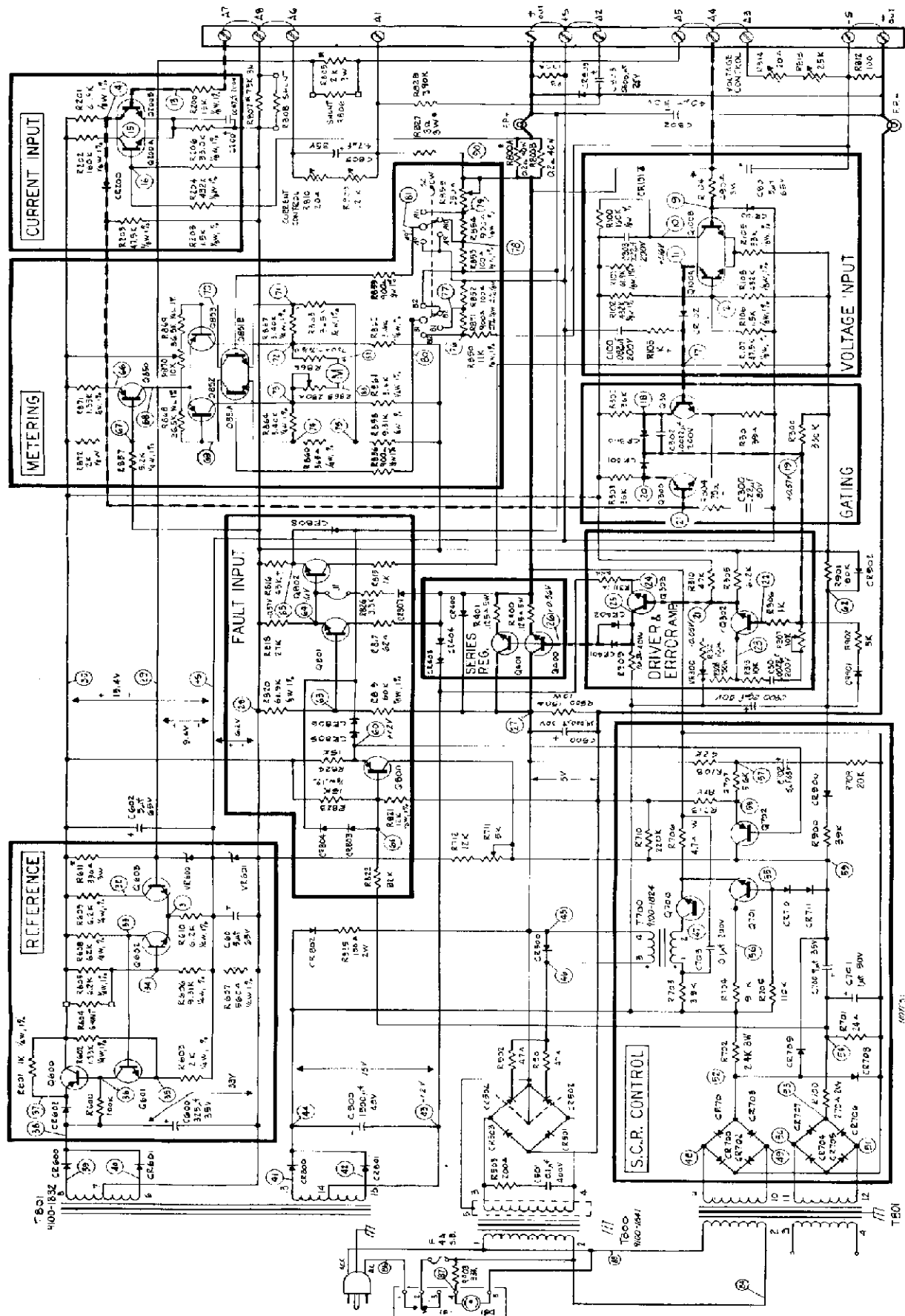
NOTES: 1. ALL WAVEFORMS TAKEN WITH 115VAC, 60Hz, SINGLE-PHASE INPUT AT MAXIMUM RATED OUTPUT VOLTAGE AND NO LOAD CONNECTED. AMPLITUDES ARE TYPICAL $\pm 10\%$.

2. OSCILLOSCOPE DC COUPLED AND REFERENCED TO T. P. 90 UNLESS OTHERWISE INDICATED.

3. WAVEFORMS ARE NOT DRAWN TO SCALE.

4. AMPLITUDE OF WAVEFORM AT T. P. 47 VARIES WITH DIFFERENT MODELS AS FOLLOWS:

MODEL NO.	6282A	6285A	6286A	6290A	6291A	6296A
VOLTAGE	+15V	+17V	+15V	+20V	+17V	+20V



Model 5282A, Schematic Diagram

1. ALL RESISTORS ARE 1/4 W, 5% UNLESS NOTED OTHERWISE.
 2. * DENOTES 20 PPM W/TEMP -50P 050P.
 3. CR2 TERMINALS SHOWN IN ORIGINAL DRAWING.
 4. REF. VOLTAGES MEASURED AT 10V LINE AND LOAD.
 5. * DENOTES CURRENT SIGNAL.
 6. * DENOTES VOLTAGE SIGNAL.
 7. * DENOTES TERMINAL VALUE, SELECTED AT FACTORY FOR OPTIMUM PERFORMANCE.

100%
 1. 5000-1000L 20 OR EQUIV.
 2. 5000-1000L 20 OR EQUIV.
 3. VOLTAGE REFERENCED TO GND UNLESS OTHERWISE INDICATED.
 4. ALL VOLTAGES MEASURED AT 10V LINE AND LOAD.
 5. * DENOTES CURRENT SIGNAL.
 6. * DENOTES VOLTAGE SIGNAL.
 7. * DENOTES TERMINAL VALUE, SELECTED AT FACTORY FOR OPTIMUM PERFORMANCE.

1501