

Errata

Title & Document Type: 3852A Data Acquisition Control Unit - 44701A Integrating Voltmeter Accessory Configuration and Programming Guide

Manual Part Number: 44701-90001

Revision Date: February 1, 1987

HP References in this Manual

This manual may contain references to HP or Hewlett-Packard. Please note that Hewlett-Packard's former test and measurement, semiconductor products and chemical analysis businesses are now part of Agilent Technologies. We have made no changes to this manual copy. The HP XXXX referred to in this document is now the Agilent XXXX. For example, model number HP8648A is now model number Agilent 8648A.

About this Manual

We've added this manual to the Agilent website in an effort to help you support your product. This manual provides the best information we could find. It may be incomplete or contain dated information, and the scan quality may not be ideal. If we find a better copy in the future, we will add it to the Agilent website.

Support for Your Product

Agilent no longer sells or supports this product. You will find any other available product information on the Agilent Test & Measurement website:

www.tm.agilent.com

Search for the model number of this product, and the resulting product page will guide you to any available information. Our service centers may be able to perform calibration if no repair parts are needed, but no other support from Agilent is available.



HP 3852A Data Acquisition/Control Unit

**HP 44701A
Integrating Voltmeter Accessory**

Configuration and Programming Manual



©Copyright Hewlett-Packard Company 1987

Manual Part Number: 44701-90001
Microfiche Part Number: 44701-99001

Printed: FEBRUARY 1987 Edition 1
Printed in U.S.A. E0287

Printing History

New editions are complete revisions of the manual. Update packages, which are issued between editions, contain additional and replacement pages to be merged into the manual by the customer. The dates on the title page change only when a new edition or a new update is published. No information is incorporated into a reprinting unless it appears as a prior update; the edition does not change when an update is incorporated.

Many product updates and fixes do not require manual changes and, conversely, manual corrections may be done without accompanying product changes. Therefore, do not expect a one-to-one correspondence between product updates and manual updates.

Edition 1.....FEBRUARY 1987

Herstellerbescheinigung

Hiermit wird bescheinigt, daß das Gerät/System HP 3852A
in Übereinstimmung mit den Bestimmungen von Postverfügung 1046/84 funkentstört ist.

Der Deutschen Bundespost wurde das Inverkehrbringen dieses Gerätes/Systems angezeigt und die Berechtigung zur Überprüfung der Serie auf Einhaltung der Bestimmungen eingeräumt.

Zusatzinformation für Meß- und Testgeräte

Werden Meß- und Testgeräte mit ungeschirmten Kabeln und/oder in offenen Meßaufbauten verwendet, so ist vom Betreiber sicherzustellen, daß die Funk-Entstörbestimmungen unter Betriebsbedingungen an seiner Grundstücksgrenze eingehalten werden.

Manufacturer's declaration

This is to certify that the equipment HP 3852A
is in accordance with the Radio Interference Requirements of Directive FTZ 1046/84. The German Bundespost was notified that this equipment was put into circulation, the right to check the series for compliance with the requirements was granted.

Additional Information for Test- and Measurement Equipment

If Test- and Measurement Equipment is operated with unscreened cables and/or used for measurements on open set-ups, the user has to assure that under operating conditions the Radio Interference Limits are still met at the border of his premises.

NOTICE

The information contained in this document is subject to change without notice.

HEWLETT-PACKARD MAKES NO WARRANTY OF ANY KIND WITH REGARD TO THIS MATERIAL, INCLUDING, BUT NOT LIMITED TO, THE IMPLIED WARRANTIES OF MERCHANTABILITY AND FITNESS FOR A PARTICULAR PURPOSE. Hewlett-Packard shall not be liable for errors contained herein or for incidental or consequential damages in connection with the furnishing, performance or use of this material.

Hewlett-Packard assumes no responsibility for the use or reliability of its software on equipment that is not furnished by Hewlett-Packard.

This document contains proprietary information which is protected by copyright. All rights are reserved. No part of this document may be photocopied, reproduced or translated to another language without the prior written consent of Hewlett-Packard Company.

Copyright © 1985 by HEWLETT-PACKARD COMPANY



**HEWLETT
PACKARD**

CERTIFICATION

Hewlett-Packard Company certifies that this product met its published specifications at the time of shipment from the factory. Hewlett-Packard further certifies that its calibration measurements are traceable to the United States National Bureau of Standards, to the extent allowed by the Bureau's calibration facility, and to the calibration facilities of other International Standards Organization members.

WARRANTY

This Hewlett-Packard instrument product is warranted against defects in materials and workmanship for a period of one year from date of shipment. During the warranty period, Hewlett-Packard Company will, at its option, either repair or replace products which prove to be defective.

For warranty service or repair, this product must be returned to a service facility designated by -hp-. Buyer shall prepay shipping charges to -hp- and -hp- shall pay shipping charges to return the product to Buyer. However, Buyer shall pay all shipping charges, duties, and taxes for products returned to -hp- from another country.

Duration and conditions of warranty for this instrument may be superceded when the instrument is integrated into (becomes a part of) other -hp- instrument products.

Hewlett-Packard warrants that its software and firmware designated by -hp- for use with an instrument will execute its programming instructions when properly installed on that instrument. Hewlett-Packard does not warrant that the operation of the instrument, or software, or firmware will be uninterrupted or error free.

LIMITATION OF WARRANTY

The foregoing warranty shall not apply to defects resulting from improper or inadequate maintenance by Buyer, Buyer-supplied software or interfacing, unauthorized modification or misuse, operation outside of the environmental specifications for the product, or improper site preparation or maintenance.

NO OTHER WARRANTY IS EXPRESSED OR IMPLIED. HEWLETT-PACKARD SPECIFICALLY DISCLAIMS THE IMPLIED WARRANTIES OF MERCHANTABILITY AND FITNESS FOR A PARTICULAR PURPOSE.

EXCLUSIVE REMEDIES

THE REMEDIES PROVIDED HEREIN ARE BUYER'S SOLE AND EXCLUSIVE REMEDIES. HEWLETT-PACKARD SHALL NOT BE LIABLE FOR ANY DIRECT, INDIRECT, SPECIAL, INCIDENTAL, OR CONSEQUENTIAL DAMAGES, WHETHER BASED ON CONTRACT, TORT, OR ANY OTHER LEGAL THEORY.

ASSISTANCE

Product maintenance agreements and other customer assistance agreements are available for Hewlett-Packard products.

For any assistance, contact your nearest Hewlett-Packard Sales and Service Office. Addresses are provided at the back of this manual.



SAFETY SUMMARY

The following general safety precautions must be observed during all phases of operation, service, and repair of this instrument. Failure to comply with these precautions or with specific warnings elsewhere in this manual violates safety standards of design, manufacture, and intended use of the instrument. Hewlett-Packard Company assumes no liability for the customer's failure to comply with these requirements.

GROUND THE INSTRUMENT

To minimize shock hazard, the instrument chassis and cabinet must be connected to an electrical ground.

DO NOT OPERATE IN AN EXPLOSIVE ATMOSPHERE

Do not operate the instrument in the presence of flammable gases or fumes. Operation of any electrical instrument in such an environment constitutes a definite safety hazard.

KEEP AWAY FROM LIVE CIRCUITS

Operating personnel must not remove instrument covers. Component replacement and internal adjustments must be made by qualified maintenance personnel. Under certain conditions, dangerous voltages may exist even with the instrument switched off. To avoid injuries, always disconnect input voltages and discharge circuits before touching them.

DO NOT SERVICE OR ADJUST ALONE

Do not attempt internal service or adjustment unless another person, capable of rendering first aid and resuscitation, is present.

DO NOT SUBSTITUTE PARTS OR MODIFY INSTRUMENT

Because of the danger of introducing additional hazards, do not install substitute parts or perform any unauthorized modification to the instrument. Return the instrument to a Hewlett-Packard Sales and Service Office for service and repair to ensure that safety features are maintained.

DO NOT OPERATE A DAMAGED INSTRUMENT

Whenever it is possible that the safety protection features built into this instrument have been impaired, either through physical damage, excessive moisture, or any other reason, REMOVE POWER and do not use the instrument until safe operation can be verified by service-trained personnel. If necessary, return the instrument to a Hewlett-Packard Sales and Service Office for service and repair to ensure that safety features are maintained.



Operating and Safety Symbols

Symbols Used On Products And In Manuals

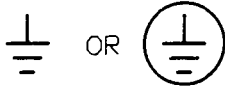
~ LINE AC line voltage input receptacle.



Instruction manual symbol affixed to product. Cautions the user to refer to respective instruction manual procedures to avoid possible damage to the product.



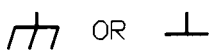
Indicates dangerous voltage – terminals connected to interior voltage exceeding 1000 volts.



Protective conductor terminal. Indicates the field wiring terminal that must be connected to earth ground before operating equipment – protects against electrical shock in case of fault.



Clean ground (low-noise). Indicates terminal that must be connected to earth ground before operating equipment – for single common connections and protection against electrical shock in case of fault.



Frame or chassis ground. Indicates equipment chassis ground terminal – normally connects to equipment frame and all metal parts.



Affixed to product containing static sensitive devices – use anti-static handling procedures to prevent electrostatic discharge damage to components.

NOTE

NOTE

Calls attention to a procedure, practice, or condition that requires special attention by the reader.

CAUTION

CAUTION

Calls attention to a procedure, practice, or condition that could possibly cause damage to equipment or permanent loss of data.

WARNING

WARNING

Calls attention to a procedure, practice, or condition that could possibly cause bodily injury or death.

WARNING, CAUTION, and NOTE Symbols

Some labels on the HP 3852A, HP 3853A, and plug-in accessories include an international warning symbol (triangle with subscripted number) which refers the reader to the manuals for further information. This table shows the warning symbols used for the HP 3852A/3853A and plug-in accessories. Refer to the manual set for specific information on WARNINGS, CAUTIONS, or NOTES referenced with a warning symbol.

HP 3852A WARNING, CAUTION, and NOTE Symbols





Symbol	Meaning	Location
	Shock hazard originating outside the instrument (field wiring)	<ul style="list-style-type: none"> . Analog Extender Connector on Power Supply Modules . Terminal modules on plug-in accessories . Component module covers on plug-in accessories
	Treat all channels as "one circuit" for safety purposes.	<ul style="list-style-type: none"> . Inside terminal modules on plug-in accessories . Metal cover on component modules of plug-in accessories
	Maximum number of certain plug-in accessories to be installed into an HP 3852A or HP 3853A.	<ul style="list-style-type: none"> . HP 44701A, HP 44702A/B, HP 44727A/B/C plug-in accessories
	If High-Speed FET multiplexers are used with the HP 44702A/B, ribbon cable may be connected.	<ul style="list-style-type: none"> . HP 44711A, 44712A, 44713A (referenced on HP 44702A and HP 44702B)

TABLE OF CONTENTS

Chapter 1 - INTRODUCTION

Manual Contents.....	1-1
Voltmeter Description.....	1-1
Getting Started.....	1-3

Chapter 2 - DEFINING YOUR MEASUREMENT

Introduction.....	2-1
Measurements Overview.....	2-1
Measurement Types.....	2-1
Voltmeter Programming.....	2-3
Data Transfers.....	2-3
Defining Measurement Requirements.....	2-3
Defining Measurement Parameters.....	2-4
Defining Data/Interrupt Requirements.....	2-5
Selecting Voltmeter Configuration.....	2-6
Selecting Voltmeter Function.....	2-6
Selecting Multiplexer Used.....	2-8
Selecting Triggering Method.....	2-9
Configuration Example.....	2-9

Chapter 3 - INSTALLATION AND CHECKOUT

Introduction.....	3-1
Chapter Contents.....	3-1
Warnings, Cautions, and Notes.....	3-1
Connecting User Inputs.....	3-6
Multiplexer Connections.....	3-6
Rear Panel Connections.....	3-6
Initial Checks.....	3-6
Voltmeter ID Check.....	3-6
Voltmeter Self-Test.....	3-9
Checking Wiring Connections.....	3-9
Mainframe Firmware Revision.....	3-10

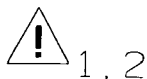


TABLE OF CONTENTS (Cont'd)

Chapter 4 - PROGRAMMING THE VOLTMETER

Introduction.....	4-1
Program Titles.....	4-1
Getting Started.....	4-2
Measurements Using CONFMEAS.....	4-4
CONFMEAS Command.....	4-4
CONFMEAS Operation.....	4-7
CONFMEAS Presets.....	4-7
Examples: Measurements Using CONFMEAS..	4-9
Measurements Using CONF and MEAS.....	4-12
Programming Overview.....	4-12
Voltmeter Commands.....	4-13
CONF and MEAS Commands.....	4-14
CONF and MEAS Operation.....	4-16
Setting Voltmeter Operation.....	4-18
Setting Integration Time (NPLC).....	4-18
Setting Number Readings/Trigger (NRDGS)..	4-19
Setting Measurement Delays (DELAY).....	4-19
Setting Voltmeter Range (RANGE).....	4-21
Setting Autorange Mode (ARANGE).....	4-22
Example: Setting Voltmeter Operation.....	4-22
Setting Voltmeter Triggering.....	4-23
Setting Trigger Source/Mode (TRIG).....	4-23
Setting System Trigger Source (TRG).....	4-25
Example: Setting Voltmeter Triggering.....	4-25
Setting Scan Triggering.....	4-26
Selecting Scan Trigger Source (STRIG).....	4-26
Selecting Scan Advance Source (SADV).....	4-27
Example: Setting Scan Triggering.....	4-27
Measurements Not Using MEAS.....	4-28
Low-Level Multiplexer Measurements.....	4-28
Controlling Multiplexer Channels (OPEN/CLOSE).....	4-29
Setting Autozero Mode (AZERO).....	4-29
Transferring Readings (CHREAD).....	4-30
Example: Low-Level Multiplexer Measurements.....	4-31
Rear Panel Measurements.....	4-31
Setting Input Terminals (TERM).....	4-31
Setting Measurement Function (FUNC).....	4-32
Setting Offset Compensation (OCOMP).....	4-32
Transferring Multiple Readings (XRDGS)...	4-33
Example: Rear Panel Measurements.....	4-34
Enabling Interrupts.....	4-35
Setting Interrupts (ENABLE INTR).....	4-35
Example: Enabling Interrupts.....	4-36
Command Summary.....	4-37

INDEX.....	I-1
------------	-----



Chapter 1

Introduction



Contents

Manual Contents.....	1-1
Voltmeter Description.....	1-1
Getting Started.....	1-3



Manual Contents

This manual shows how to configure and program the HP 44701A Integrating Voltmeter (voltmeter). The manual has four chapters:

- **Chapter 1 - Introduction** contains a manual overview, summarizes voltmeter features, and shows a suggested getting started sequence.
- **Chapter 2 - Defining Your Measurement** gives guidelines to select measurement requirements and voltmeter operating parameters for the measurement.
- **Chapter 3 - Installation and Checkout** shows how to connect user inputs and how to install and check the voltmeter.
- **Chapter 4 - Programming the Voltmeter** shows how to program the voltmeter for multiplexer and rear panel measurements.

Voltmeter Description

The HP 44701A Integrating Voltmeter can be used with an HP 447XXX multiplexer to make AC or DC voltage, AC or DC current (with external shunt resistor), resistance (2-wire ohms and 4-wire ohms), strain, or temperature (RTD, thermistor, and thermocouple) measurements. You can also use the voltmeter with the external (rear) terminals for AC or DC voltage or 4-wire ohms measurements.

The HP 44701A uses offset compensation for most resistance ranges and autozero for all types of measurements. A guard terminal provides added common mode noise rejection and the voltmeter's method of analog to digital conversion (integration) provides normal mode noise rejection. Integration time can be varied from 0.0005 to 16 power line cycles (PLCs) to provide 3½ to 6½ digits of resolution.

Physical Description

Figure 1-1 shows the voltmeter rear panel. The upper three terminals (HI, LO and GUARD) are the input terminals for both voltage and resistance measurements. The lower two terminals (HI and LO CURRENT SOURCE) are the current source terminals for resistance measurements. The lever at the bottom of the panel allows the voltmeter to be released from its slot. To remove the voltmeter from a slot, lift the lever and pull the voltmeter outward.

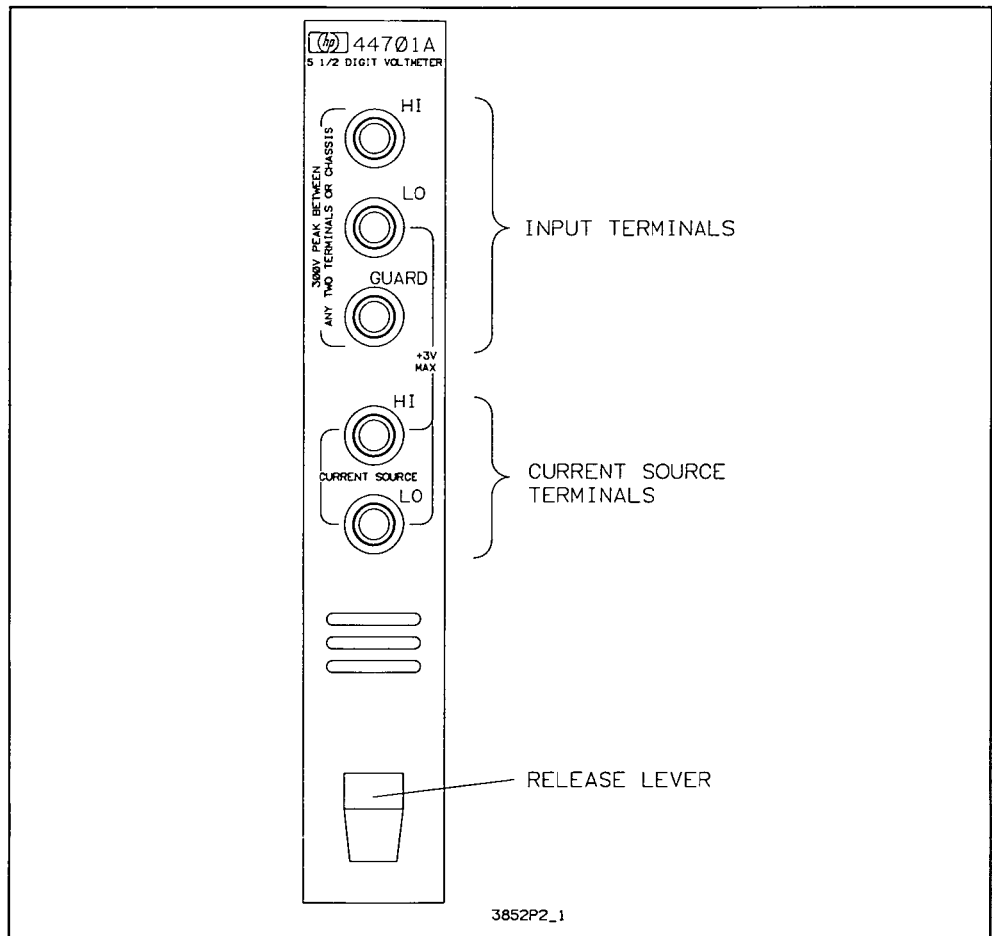


Figure 1-1. HP 44701A Rear Panel

The A/D Converter

The voltmeter measures an analog signal by converting it to a digital value. Once the signal is in digital form it can be displayed, sent over the HP-IB bus, inserted into a mathematical algorithm, etc. Input signals are converted to digital values by the voltmeter A/D (analog to digital) converter.

The A/D converter is responsible for many voltmeter operating characteristics such as normal mode rejection (ability to reject signals at the power line frequency from measurements), measurement speed, resolution, and accuracy. The magnitude of these characteristics are, in turn, determined by the A/D converter integration time.

Integration Time

Integration time is the amount of time that the A/D converter samples the input signal. You specify integration time as a certain number of power line cycles (PLCs) with the NPLC command. The voltmeter then multiplies the specified number of PLCs times the power line period to determine the integration time. With longer integration times, measurement resolution, accuracy, and normal mode rejection increase but measurement speed decreases.

Getting Started

There are three main steps to configure and program the voltmeter for your application:

- Define your measurement
- Configure the voltmeter
- Program the voltmeter

Define Your Measurement

The first step is to define your measurement application and select voltmeter operation for the measurement. Refer to Chapter 2 - Defining Your Measurement for guidelines to define your measurement and select voltmeter operation.

Configure the Voltmeter

The next step is to hardware configure the voltmeter for the measurement. Refer to Chapter 3 - Installation and Checkout to connect user inputs and to install and initially check the voltmeter.

Program the Voltmeter

The third step is to program the voltmeter for the measurement. Refer to Chapter 4 - Programming the Voltmeter to program the voltmeter for multiplexer and rear panel measurements.



Chapter 2

Defining Your Measurement

Contents

Introduction	2-1
Measurements Overview.....	2-1
Measurement Types.....	2-1
Voltmeter Programming.....	2-3
Data Transfers.....	2-3
Defining Measurement Requirements.....	2-3
Defining Measurement Parameters.....	2-4
Defining Data/Interrupt Requirements.....	2-5
Selecting Voltmeter Configuration.....	2-6
Selecting Voltmeter Function.....	2-6
Selecting Multiplexer Used.....	2-8
Selecting Triggering Method.....	2-9
Configuration Example.....	2-9

Defining Your Measurement

Introduction

This chapter gives guidelines to define your measurement and to select voltmeter configuration for the measurement. Chapter sections are:

- **Measurements Overview** summarizes the three main parameters of voltmeter measurements: measurement types, voltmeter programming, and data transfers.
- **Defining Measurement Requirements** gives guidelines to define measurement parameters and data/interrupt requirements.
- **Selecting Voltmeter Configuration** gives guidelines to select the voltmeter measurement function, the multiplexer(s) used, and the voltmeter triggering method for your measurement.
- **Configuration Example** shows an example way to characterize a DC voltage measurement and select the voltmeter configuration for the measurement.

Measurements Overview

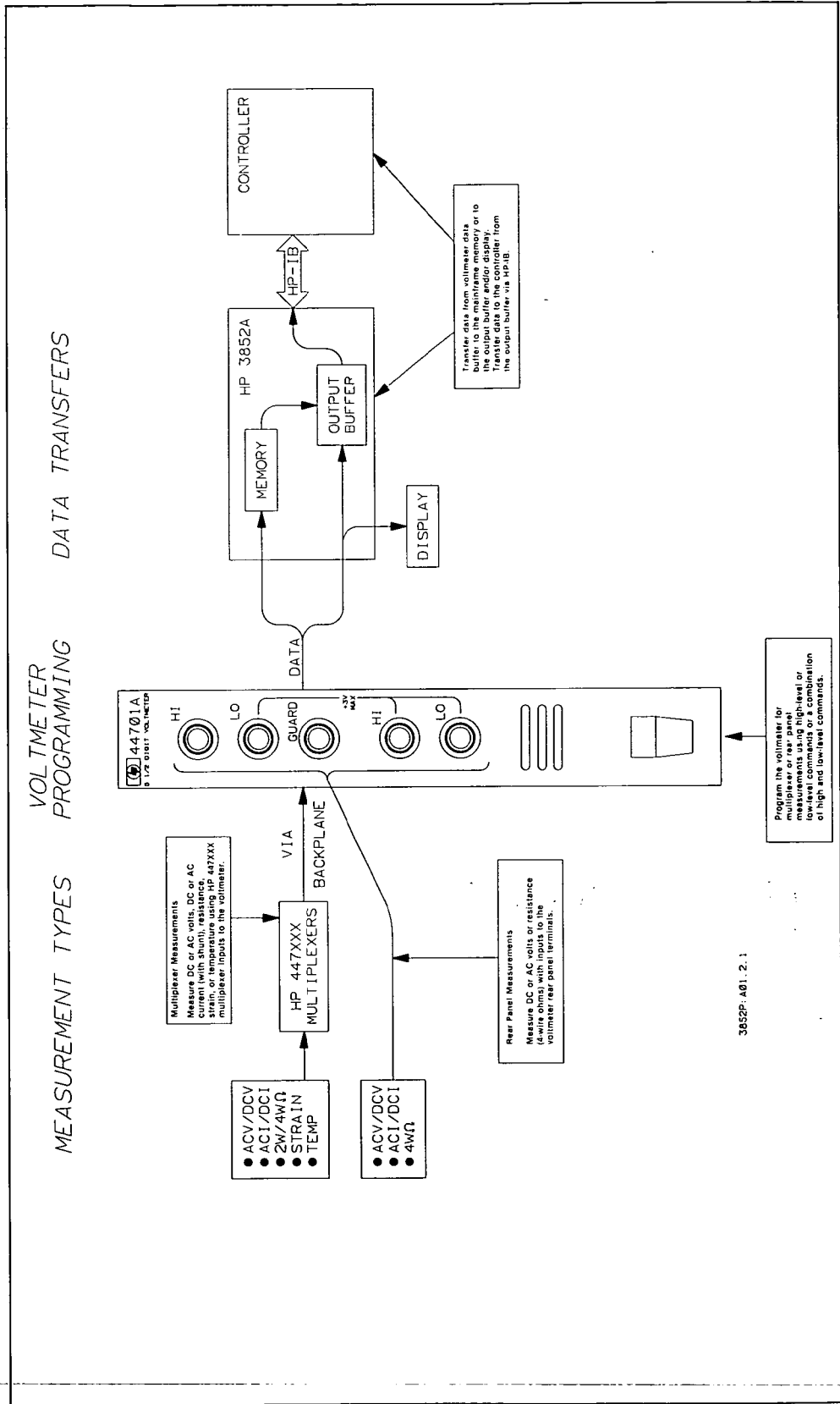
Figure 2-1 shows three parameters of voltmeter measurements: measurement types, voltmeter programming, and data transfers.

Measurement Types

There are two types of voltmeter measurements: multiplexer measurements and rear panel measurements.

Multiplexer Measurements

AC or DC voltage, AC or DC current (with multiplexer shunt), resistance (2-wire ohms or 4-wire ohms), strain, or temperature (RTD, thermistor, or thermocouple) inputs can be sent to the voltmeter via HP 447XXX multiplexers and the mainframe backplane. These are called multiplexer measurements.



3852P-A01.2.1

Figure 2-1. Voltmeter Measurements Overview

Rear Panel Measurements

AC and DC volts and 4-wire ohms (only) inputs can be sent directly to the rear panel terminals of the voltmeter. These are called rear panel measurements.

Voltmeter Programming

The voltmeter can be programmed for multiplexer or rear panel measurements using high-level or low-level commands. Refer to the Command Summary in Chapter 4 - Programming the Voltmeter for a list of commands which apply to the HP 44701A voltmeter.

Data Transfers

For any voltmeter measurement, the reading is first stored in the voltmeter data buffer and must be transferred to the mainframe memory or to the output buffer and/or display before the next reading is taken. (Refer to Chapter 6 - Managing Data in the HP 3852A Mainframe Configuration and Programming Manual for details on data storage and transfers.)

Transfer Data to Mainframe Memory

Data stored in the voltmeter data buffer can be transferred to mainframe memory in unconverted (PACKED) format and stored in a PACKED array or can be converted into RL64 or IN16 and stored in a REAL or INTEGER array (or variable) respectively. Data stored in mainframe memory can then be transferred to the output buffer in unconverted or converted format.

Transfer Data to Output Buffer

Data can be transferred directly from voltmeter memory to the output buffer in unconverted (PACKED) format or in any of six converted formats (IASC, LASC, RASC, DASC, RL64, or IN16). For IASC, LASC, RASC, or DASC, data can also be displayed.

Defining Measurement Requirements

Guidelines to help you characterize your measurement follow. The guidelines include a discussion of measurement parameters and data/interrupt requirements. The example numbers used in the discussion are from the Specifications appendix in the HP 3852A Mainframe Configuration and Programming Manual. Refer to this appendix for complete specifications when characterizing your measurement.

Defining Measurement Parameters

This subsection includes guidelines to select the following measurement parameters:

- Type
- Speed
- Accuracy
- Resolution
- Noise Rejection
- Number of Measurements

Type of Measurement

The first step is to select the type of measurement (AC or DC voltage, AC or DC current, resistance, strain, or temperature) to be made. The voltmeter can measure DC voltages up to ± 300 V; AC voltages up to ± 200 VAC rms; resistances up to 3 M Ω with 2-wire or 4-wire techniques; strain from strain gages or rosettes; or temperatures (in $^{\circ}$ C) from thermocouples, thermistors, or RTDs.

Measurement Speed

Measurement speed (maximum reading rate) is a function of the number of power line cycles (PLC) selected and the power line frequency. For example, from the Specifications appendix in the HP 3852A Mainframe Configuration and Programming Manual, maximum reading rate for DC voltage measurements with a 60 Hz power line frequency varies from 2.7 readings/second with NPLC = 16.0 to 1600 readings/second with NPLC = 0.0005. That is, measurement speed increases as the number of PLCs (and resultant integration time) decreases.

Measurement Accuracy

Measurement accuracy is a function of NPLC and the voltmeter range. For example with NPLC = 0.1 and the 30V range, DC voltage measurement accuracy is $\pm(0.008\% + 700 \mu\text{V})$ where 0.008% refers to the % of reading. Thus, for a 10 V reading, maximum error is $\pm(800 \mu\text{V} + 700 \mu\text{V}) = \pm 1.5$ mV. For any range, note that measurement accuracy increases as NPLC (and resultant integration time) increases.

Measurement Resolution

Measurement resolution is also a function of NPLC and the voltmeter range. For example, with NPLC = 0.1 and the 3V range, resolution is 10 μV . For any range, note that measurement resolution (the smallest change which can be detected) increases as NPLC increases since the number of digits converted increases.

Noise Rejection

Noise rejection also depends on the NPLC setting. For example, for DC voltage measurements CMR is 120 dB for all NPLC settings; NMR is 0 dB for all settings except NPLC 1 and NPLC 16 (60 dB for NPLC 1 and NPLC 16); and ECMR is 90 dB for all settings except NPLC 1 and NPLC 16 (150 dB for NPLC 1 and NPLC 16).

Number of Measurements

To determine the number of measurements to be made, define the number of sources to be measured and the number of measurements per source. This will determine the number of multiplexers required for your measurement. For example, to measure more than 20 inputs you will need two HP 44705A 20-channel multiplexers or one HP 44706A 60-channel multiplexer, etc. (Refer to Table 2-4 in “Selecting Multiplexer Used” for the maximum number of channels per multiplexer.)

Defining Data/Interrupt Requirements

When you have defined your measurement parameters, define how to handle the data from the measurement. Two main considerations are:

- Data transfer mode
- Interrupt requirements

Data Transfer Mode

As shown in Figure 2-1, data stored in the voltmeter data buffer can be transferred to the mainframe memory or to the output buffer and/or display. Select the data transfer mode required for your measurement.

Interrupt Requirements

Determine if interrupts are required for your measurement. When enabled, interrupts can be handled in the mainframe or in the controller. Refer to Chapter 8 - Using Interrupts in the HP 3852A Mainframe Configuration and Programming Manual for guidelines on handling interrupts. Refer to Chapter 4 - Programming the Voltmeter for an example interrupt program.

Selecting Voltmeter Configuration

When you have defined your measurement requirements, the next step is to select voltmeter configuration for the measurement. Three voltmeter configuration areas are summarized, as shown. Again, refer to the Specifications Appendix of the HP 3852A Mainframe Configuration and Programming Manual for detailed specifications when selecting voltmeter configuration parameters.

- Voltmeter function
- Multiplexer used
- Triggering method

Selecting Voltmeter Function

As noted, the voltmeter can make AC or DC voltage, AC or DC current (with multiplexer shunt), resistance (2-wire and 4-wire ohms), strain, and temperature (RTD, thermistor, or thermocouple) measurements. Some voltmeter ranges/resolutions and accuracies follow.

DC Voltage Measurements

As shown in Table 2-1, the voltmeter has five DC voltage ranges (30 mV, 300 mV, 3V, 30V, and 300V). The effective range of DC voltage measurements is from about ± 10 nV to ± 300 V.

Table 2-1. DC Voltage Ranges/Resolution

Range	Maximum Display	6½ Digit Resolution	5½ Digit Resolution	4½ Digit Resolution	3½ Digit Resolution
30mV	± 30.30000	10 nV	100 nV	1 μ V	10 μ V
300mV	± 303.0000	100 nV	1 μ V	10 μ V	100 μ V
3V	± 3.030000	1 μ V	10 μ V	100 μ V	1 mV
30V	± 30.30000	10 μ V	100 μ V	1 mV	10 mV
300V	± 300.0000	100 μ V	1 mV	10 mV	100 mV

AC Voltage Measurements

The voltmeter has four AC voltage ranges (200 mV, 2V, 20V, and 200V). AC measurements are made with a peak detector calibrated in rms which is intended to measure sine waves. The voltmeter is accurate only when the input voltage is greater than 10% of full scale. Table 2-2 shows AC voltage ranges/resolutions.

Table 2-2. AC Voltage Ranges/Resolution

Range	Maximum Display	3½ Digit Resolution
200mV	± 202.0000	100 µV
2V	± 2.020000	1 mV
20V	± 20.20000	10 mV
200V	± 202.0000	100 mV

Resistance Measurements

The voltmeter can make 2-wire or 4-wire ohms measurements using HP 447XXX multiplexers or can make 4-wire ohms measurements using the rear panel terminals. Six resistance ranges are available, as shown in Table 2-3.

Table 2-3. Resistance Ranges/Resolution

Range	Maximum Display	Resolution				Current Through Unknown
		6½ Digit	5½ Digit	4½ Digit	3½ Digit	
30Ω	± 30.30000	10 µΩ	100 µΩ	1 mΩ	10 mΩ	1 mA
300Ω	± 303.0000	100 µΩ	1 mΩ	10 mΩ	100 mΩ	1 mA
3kΩ	± 3.030000	1 mΩ	10 mΩ	100 mΩ	1 Ω	100 µA
30kΩ	± 30.30000	10 mΩ	100 mΩ	1 Ω	10 Ω	100 µA
300kΩ	± 303.0000	100 mΩ	1 Ω	10 Ω	100 Ω	10 µA
3MΩ	± 3.030000	1 Ω	10 Ω	100 Ω	1 kΩ	1 µA

Strain Measurements

The voltmeter and the HP 44717A, 44718A, 44719A, or 44720A Strain Gage multiplexers can be used to make strain measurements, including ¼ bridge, ½ bridge, and full-bridge measurements of strain gages or rosettes. Measurement data returned is the equivalent strain (or microstrain) value.

Temperature Measurements

The voltmeter can make temperature measurements of thermocouples, thermistors, or resistance temperature detectors (RTD). The data returned is the equivalent temperature in °C. In addition the reference temperature can be independently measured for thermocouple measurements.

The HP 3852A supports Type B, E, J, K, N14 [N (AWG 14)], N28 [N (AWG 28)], R, S, and T thermocouples, Type 2252, 5K, and 10K thermistors, and Type 85 ($\alpha = .00385 \Omega/\Omega/^\circ\text{C}$) or Type 92 ($\alpha = 0.003916 \Omega/\Omega/^\circ\text{C}$) RTDs. Other types of thermocouples can be measured with user-supplied linearization programs.

NOTE

Refer to Hewlett-Packard Application Note 290, "Practical Temperature Measurements", (part number 5952-8801) for guidelines on using thermocouples, thermistors, and RTDs for temperature measurements.

Selecting Multiplexer Used

As shown in Figure 2-1, there are two types of voltmeter measurements: multiplexer measurements and rear panel measurements.

Multiplexer Measurements

The voltmeter can be used with appropriate HP 447XXX multiplexers to make DC or AC voltage, DC or AC current, resistance, strain, or temperature measurements. The type of measurement selected determines the multiplexer(s) to be used. Table 2-4 summarizes multiplexers available for use with the voltmeter and typical measurements for each multiplexer.

Table 2-4. Multiplexer Characteristics

Multiplexer	Ch	Range	Primary Measurement(s)
Relay Multiplexers:			
HP 44705A	20	± 170V	ACV, DCV, ACI, DCI, 2W/4W ohms, RTDs, thermistors
HP 44705H	20	± 354V	ACV, DCV, ACI, DCI, 2W/4W ohms, RTDs, thermistors
HP 44706A	60	± 42V	ACV, DCV, 2W ohms
HP 44708A	20	± 170V	ACV, DCV, ACI, DCI, 2W ohms, thermocouples
HP 44708H	20	± 354V	ACV, DCV, ACI, DCI, 2W ohms, thermocouples
HP 44717A	10	± 42V	120 ohm strain gage, rosettes
HP 44718A	10	± 42V	350 ohm strain gage, rosettes
FET Multiplexers:			
HP 44709A	20	± 10.24V	ACV, DCV, ACI, DCI, 2W/4W ohms, RTDs, thermistors
HP 44710A	20	± 10.24V	ACV, DCV, ACI, DCI, 2W ohms, thermocouples
HP 44719A	10	± 10.24V	120 ohm strain gage, rosettes
HP 44720A	10	± 10.24V	350 ohm strain gage, rosettes
High-Speed FET Multiplexers:			
HP 44711A	24	± 10.24V	ACV, DCV, ACI, DCI, 4W ohms, RTDs, thermistors
HP 44712A	48	± 10.24V	ACV, DCV
HP 44713A	24	± 10.24V	ACV, DCV, ACI, DCI, thermocouples

Rear Panel Measurements

With rear panel measurements, user sources are input directly to the voltmeter rear panel terminals (HI, LO, and GUARD) for DC or AC voltage measurements. You can also use the CURRENT SOURCE (HI and LO) terminals with the voltage terminals for 4-wire ohms measurements.

Selecting Triggering Method

When the voltmeter measurement function and multiplexer(s) have been selected, next select the type of voltmeter triggering required. The voltmeter can be triggered from the mainframe or internally from the voltmeter.

Mainframe Backplane Triggering

The voltmeter can be triggered via the mainframe backplane by using the TRIG SCAN or TRIG SYS command. Refer to Chapter 7 - Triggering and Pacing in the HP 3852A Mainframe Configuration and Programming Manual for a discussion of mainframe triggering.

Voltmeter Internal Triggering

The voltmeter can be internally triggered by a single trigger (TRIG SGL) or triggered as required (TRIG AUTO).

Configuration Example

This section shows an example way to define a measurement and select voltmeter configuration for the measurement. When you have characterized your measurement and selected the voltmeter parameters, refer to Chapter 3 - Installation and Checkout to install the voltmeter and multiplexer(s) used and to initially check the voltmeter.

Example: DC Voltage Measurements

For this example, the application is DC voltage measurements of twenty 5 V inputs. Each input is to be measured 10 times so 200 readings are required. Table 2-6 show typical measurement requirements and voltmeter configuration for this measurement.

Table 2-6. DC Voltage Measurements Selections

Measurement Requirements	
Measurement Parameters	
• Type	DC volts (5V max input)
• Speed	300 readings/second
• Accuracy	1 mV
• Resolution	100 μ V
• Noise Rejection	0 dB NMR, 120 dB CMR, 90 dB ECMR
• Number	200 readings
Data/Interrupt Requirements	
• Transfer Mode	To output buffer/display
• Interrupts	Not required
Voltmeter Configuration	
Voltmeter Function	DCV (30V range), NPLC = 0.1
Multiplexer Used	HP 44705A 20-Channel Relay Multiplexer
Triggering Method	Internal triggering
Interrupts	Disabled

For this example, the voltmeter function selected is DCV (30V range), NPLC = 0.1, and internal voltmeter triggering. An HP 44705A 20-Channel Relay Multiplexer will be used since it has the required number of channels and accuracy (refer to Table 2-4). Data destination will be the output buffer (and display) and interrupts will be disabled.

From the Specifications appendix in the HP 3852A Mainframe Configuration and Programming Manual, NPLC = 0.1 and the 30V range sets the voltmeter for 5½ digits (100 μ V of resolution); maximum reading rate of 415 readings/second @ 60Hz (360 readings/second @ 50Hz); ($\pm 0.0008\%$ + 700 μ V) accuracy; and noise rejections of 0 dB NMR, 120 dB CMR, and 90 dB ECMR.

With these selections, we can now refer to Chapter 3 - Installation and Checkout to configure the voltmeter and then to Chapter 4 - Programming the Voltmeter to program the voltmeter for the measurement. (As required, refer to the HP 44705A Configuration and Programming Manual for additional details.)

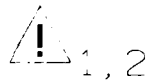


Chapter 3

Installation and Checkout



Contents



Introduction.....	3-1
Chapter Contents.....	3-1
Warnings, Cautions, and Notes.....	3-1
Connecting User Inputs.....	3-6
Multiplexer Connections.....	3-6
Rear Panel Connections.....	3-6
Initial Checks.....	3-6
Voltmeter ID Check.....	3-6
Voltmeter Self-Test.....	3-9
Checking Wiring Connections.....	3-9
Mainframe Firmware Revision.....	3-10

Installation and Checkout

Introduction

This chapter shows recommended ways to connect user inputs to the voltmeter and shows how to install and initially check the voltmeter.

Chapter Contents

This chapter has three sections:

- **Introduction** summarizes chapter contents and lists WARNINGS, CAUTIONS, and NOTES which apply to the voltmeter.
- **Connecting User Inputs** shows recommended connections to multiplexers used with the voltmeter and connections to the voltmeter rear panel terminals.
- **Initial Checks** shows how to check the voltmeter ID, how to make the voltmeter self-test, how to check multiplexer wiring connections, and how to determine the mainframe firmware revision.

Warnings, Cautions, and Notes

This section summarizes WARNINGS, CAUTIONS, and NOTES which apply to the HP 44701A voltmeter and associated multiplexers. You should review the WARNINGS and CAUTIONS before handling or configuring any accessory.

WARNING

SHOCK HAZARD. Only qualified, service-trained personnel who are aware of the hazards involved should install, remove, or configure any accessory. Before touching any installed accessory, turn off all power to the mainframe, extenders, and to all external devices connected to the mainframe, extenders, or accessories.

WARNING

POSSIBLE OPERATOR INJURY. For safety, consider all accessory channels to be at the highest potential applied to any channel. Under most conditions of failure, the relays on the relay multiplexers will remain in whatever state the program sets them.

However, for some equipment failures, the relays may not remain in their programmed state. If the relays settle in the closed state, the relay contacts may weld together and the highest voltage present on any one channel may be present on all channels. This condition may cause operator injury if the terminals are touched or equipment damage may result.



WARNING

MAXIMUM VOLTAGE LIMITATIONS. The HP 3852A and the HP 3853A internal analog buses interconnect the multiplexer and voltmeter accessories to form one circuit. To protect against possible personal injury due to equipment failure or programming error, limitations are placed on the potentials that can appear between any two points on the circuit (or between the circuit and chassis).

These limitations are listed for the HP 3852A, HP 3853A, and all plug-in accessories. For any given set of accessories installed in the mainframe or extender, the maximum potential between any two points is determined by the accessory with the LOWEST peak voltage limitation, as follows. (If the analog extender cable is NOT connected between the mainframe and the extenders, each instrument is considered as a separate circuit.)

<i>Instrument/Accessory</i>	<i>Peak Voltage</i>
<i>HP 3852A Mainframe</i>	<i>354 V</i>
<i>HP 3853A Extender</i>	<i>354 V</i>
<i>HP 44701A Integrating Voltmeter</i>	<i>354 V</i>
<i>HP 44702A/B High-Speed Voltmeter</i>	<i>42 V*</i>
<i>HP 44705A/08A/17A/18A 20-Channel Relay Multiplexers</i>	<i>170 V</i>
<i>HP 44705H/08H 20-Channel High-Voltage Relay Multiplexers</i>	<i>354 V</i>
<i>HP 44706A 60-Channel Relay Multiplexer</i>	<i>42 V</i>
<i>HP 44709A/10A/11A/12A/13A FET Multiplexers</i>	<i>42 V*</i>

** = 42 V maximum on backplane analog bus, but NOT on rear terminals/terminal module.*

Maximum voltage between any of the HP 44701A input terminals (HI, LO, GUARD) or between any two points (terminals or chassis) is ± 354 V peak or ± 250 VDC. Maximum voltage between the LO input terminal and the HI or LO CURRENT SOURCE terminal is ± 3 V peak AC or DC. Do not exceed these voltages since the HP 44701A and possibly the mainframe or extender will be damaged.

When measuring high voltage levels, be sure TERM EXT is set (selects the HP 44701A rear terminals). If TERM BOTH is set, the voltage will be connected to the mainframe or extender analog bus.

When TERM BOTH is set or in case of equipment failure, any voltage present on the analog backplane will be connected to the HP 44701A rear panel terminals. For safety, always regard the HP 44701A rear panel terminals as being at a high potential.

CAUTION

POSSIBLE EQUIPMENT DAMAGE. When making high-voltage measurements with the HP 44705A/44705H or HP 44708A/44708H, the HP 3852A analog backplane becomes charged to the voltage on the last channel connected to it. Thus, the next channel that is closed may have to absorb all of the stored energy on the backplane.

If the backplane is not discharged after making a high-voltage measurement, the voltage present on the backplane must be added to the voltage being switched on the next channel to determine the total relay contact voltage. See Figure 3-1 for guidelines to maximize relay life and prevent damage to sensitive transducers by high backplane discharge voltages.

CAUTION

STATIC SENSITIVE. Use clean-handling techniques when handling the accessory. Do not install an accessory without the metal covers attached.

NOTE

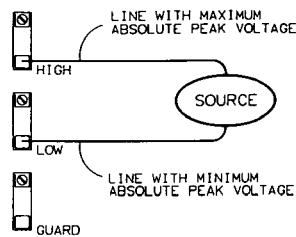
SHIELDED CABLE RECOMMENDED. Shielded, twisted-pair cable is highly recommended for connection to multiplexer inputs terminals or to HP 44701A rear panel terminals to reduce noise and keep measurement error to a minimum.

You can order the appropriate cable from your nearest Hewlett-Packard Sales and Support Office. Order HP part number 03498-61602 which is a 2 metre shielded, twisted-pair cable with crimped and heat-shrunk wires attached to the braided shield at both ends.

NOTE

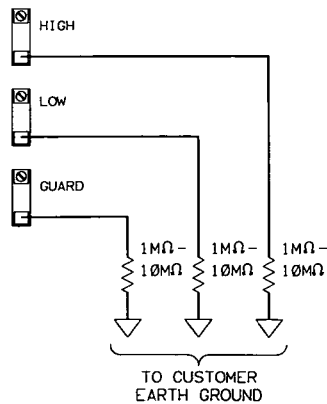
HP-IB ADDRESS. The example programs in this manual use "709" as the HP-IB address for the HP 3852A. Specific slot and channel numbers are also used. Program syntax and data return formats apply to HP Series 200/300 controllers. Modify slot and channel numbers and program syntax as required.

- When measuring high-voltages, connect the line which has the highest maximum absolute peak voltage of the source to the HIGH terminal on the terminal module. Connect the line which has the lowest absolute peak voltage of the source to the LOW terminal on the terminal module. Connect the guard line ONLY if high common mode noise rejection is necessary, otherwise, do not connect the guard line.



OR

- Discharge the HP 3852A analog backplane to earth ground through 1 M Ω - 10 M Ω resistors connected to HIGH, LOW, and GUARD on an unused channel.



3852P4_8

Figure 3-1. Discharging the HP 3852A Backplane

Connecting User Inputs

This section shows recommended ways to connect user inputs to multiplexer terminal modules or to the voltmeter rear panel terminals.

Multiplexer Connections

Always use shielded, twisted-pair cable when connecting user inputs to multiplexers. This is especially important when the transducer used floats above earth ground. With this configuration, the voltmeter can indicate an overload condition even when the transducer outputs a signal which is within the voltmeter range.

This can occur due to bias currents at the voltmeter inputs which cause the voltage with respect to chassis (earth) ground to rise to a level which can cause an overload condition on the input. Good grounding and shielding practices can solve this problem.

Figure 3-2 shows typical voltage, 2-wire Ω , and 4-wire Ω connections to an HP 44705A 20-Channel Relay Multiplexer. If you use another multiplexer, refer to the appropriate multiplexer configuration and programming manual for specific details.

Rear Panel Connections

Figure 3-3 shows typical connections to the rear panel terminals for AC and DC voltage and 4-wire ohms measurements (the only measurements which can be made using the rear panel terminals). When connecting user inputs to the voltmeter rear panel terminals (HI, LO, and GUARD for voltage or HI, LO, GUARD and CURRENT SOURCE HI and LO for resistance measurements), use shielded, twisted-pair cables and keep the exposed part of the cable as short as possible.

Initial Checks

When the voltmeter and/or multiplexer connections have been made, install the voltmeter in a desired slot as shown in the HP 3852A Mainframe Configuration and Programming Manual. When the voltmeter and multiplexers are installed, the next step is to initially check the voltmeter for proper operation. This section shows how to check the voltmeter ID, how to perform the voltmeter self-test, how to check multiplexer wiring connections, and how to check the mainframe firmware revision number.

Voltmeter ID Check

When the voltmeter has been installed, check the voltmeter identity by entering the ID? *slot* command from the front panel. For example, ID? 400 checks the ID of an accessory in slot 4 of the mainframe. If an HP 44701A is installed in this slot, "44701A" is displayed. If no accessory is installed in the slot addressed, "000000" is displayed.

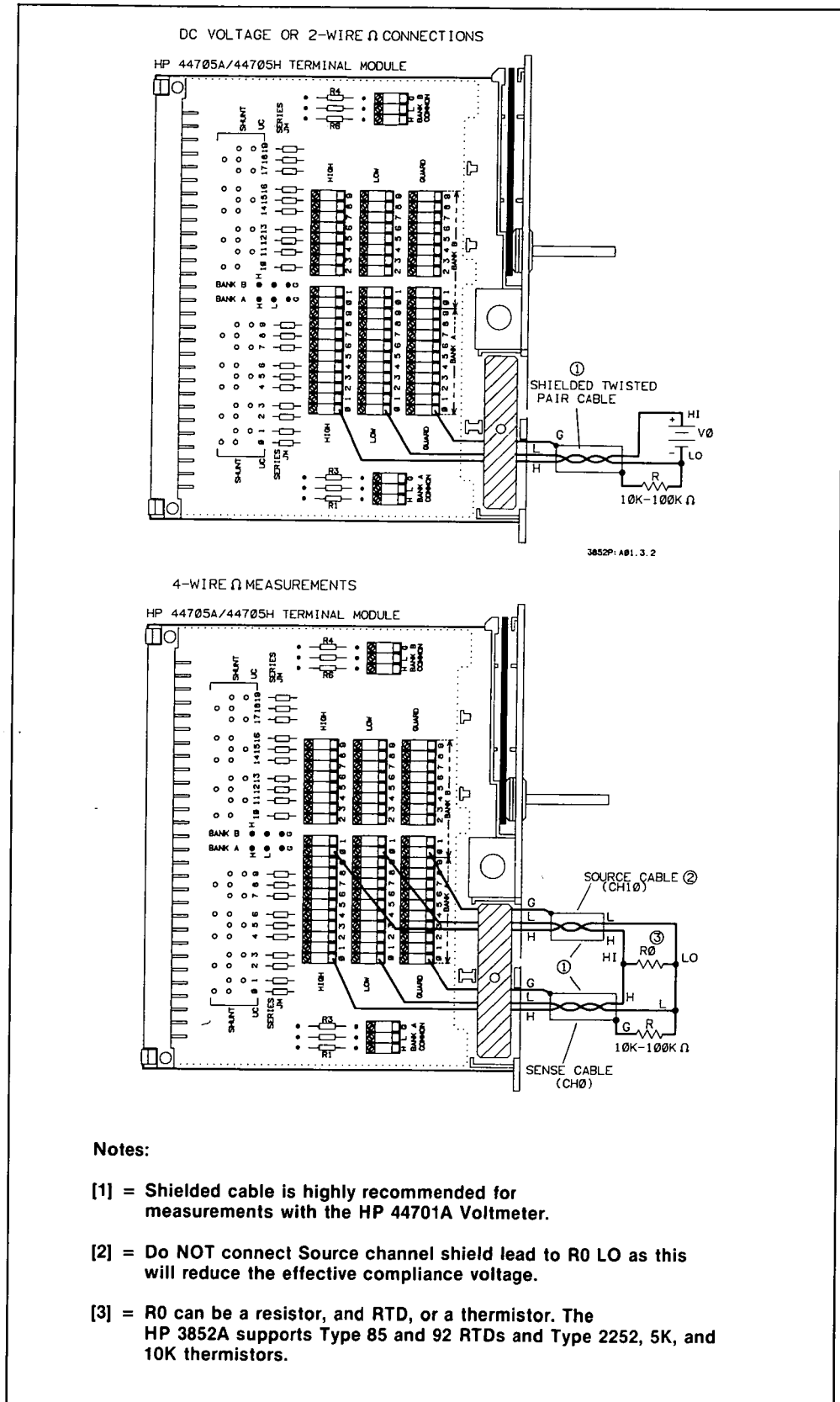
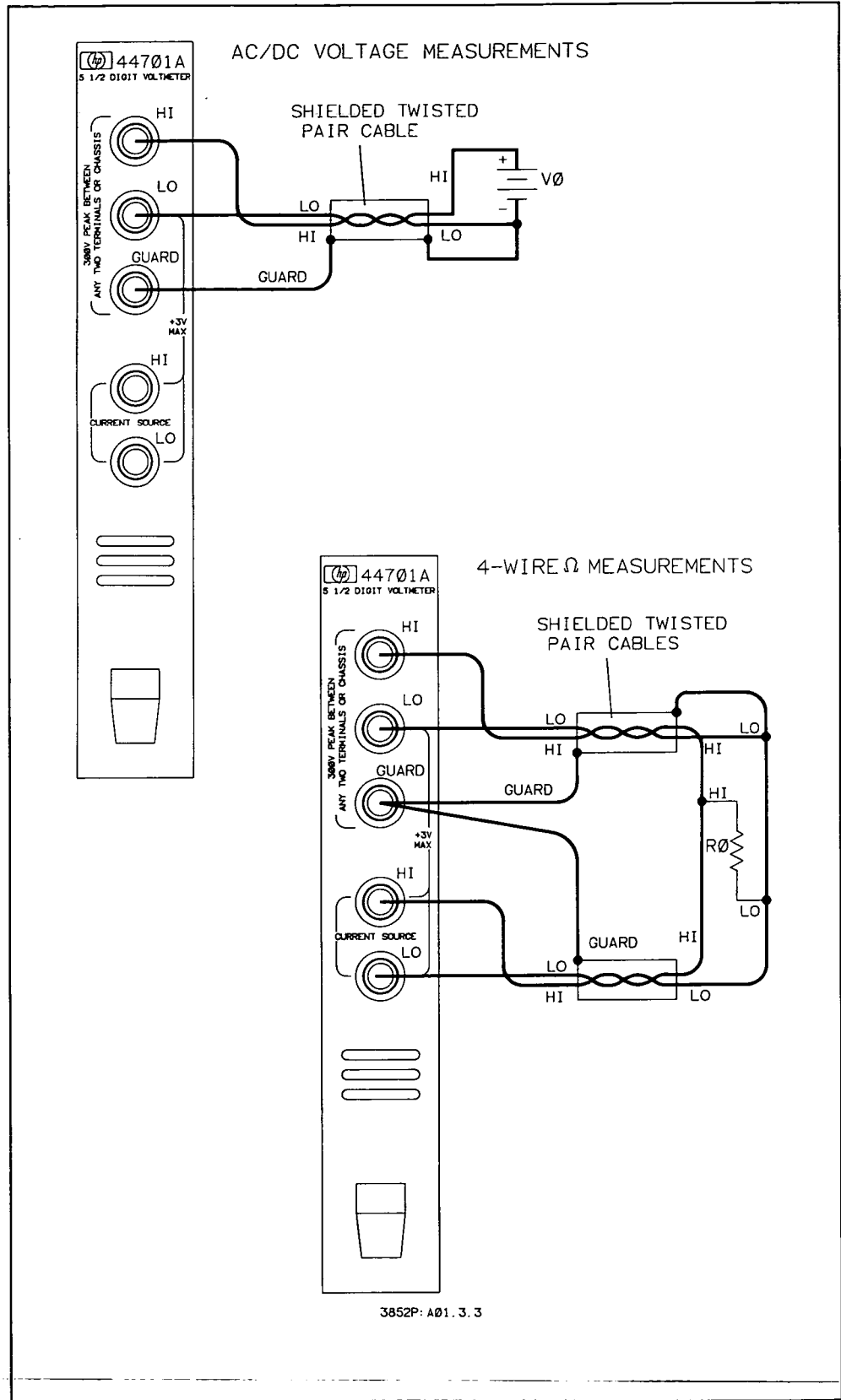


Figure 3-2. HP 44705A Multiplexer Connections



3852P: A01. 3. 3

Figure 3-3. HP 44701A Rear Panel Connections

Voltmeter Self-Test

To self-test the voltmeter, enter the TEST *slot* command from the front panel. For example, enter TEST 400 to self-test the accessory in slot 4 of the mainframe. If the voltmeter passes the self-test check, you can be reasonably sure the voltmeter is operating correctly. The self-test checks the voltmeter for proper operation and resets the voltmeter to its power-on state. The HP 44701A voltmeter self-test consists of the following tests:

- Communications check between mainframe/extender and HP 44701A.
- A/D converter test.
- Input amplifier offset test.
- RAM and ROM checksum verification.
- Calibration constants verification.

NOTE

The calibration constants verification does not guarantee that the voltmeter is adequately calibrated. It only verifies that the calibration constants exist. It is possible to calibrate the voltmeter to an inaccurate standard.

Before executing the self-test, ensure that the voltmeter is not busy, since a busy voltmeter will cause a self-test failure when the TEST command is executed. You can set the voltmeter to a non-busy state by entering the RST *slot* command followed by the TEST *slot* command.

If the self-test passes, the HP 3852A displays SELF TEST OK and there is a high confidence level that the voltmeter is operational. If the self-test fails, the HP 3852A displays an error message and you should refer to the HP 3852A Assembly Level Service Manual for details. Following the self-test, the HP 44701A reverts to its power-on state.

Checking Wiring Connections

When the voltmeter passes the self-test, you can check wiring connections to the multiplexers by using the MONMEAS command. (MONMEAS works for DC volts and resistance connections only.)

With MONMEAS, the voltage (or resistance) on a specified channel is continuously monitored and the result sent to the front panel display ONLY. To advance the monitoring to the next channel in the list, press the SADV KEY key on the front panel. An example follows.

Example: Monitoring Multiplexer Inputs (MONMEAS)

This program checks the DC voltage input to channels 200 through 204 of an HP 44705A multiplexer in slot 2 of the mainframe using an HP 44701A voltmeter in slot 6 of the mainframe. (To monitor 2-wire ohms, use CONF OHM in line 30. To monitor 4-wire ohms, use CONF OHMF in line 30).

When MONMEAS is executed, channel 200 is closed. The voltmeter makes repeated measurements on channel 200 and continuously displays the results on the front panel display only.

Pressing the front panel SADV KEY key advances the scan to channel 201. Pressing the SADV KEY key again advances the scan to channel 202, etc. When the scan reaches channel 204, pressing the SADV KEY key once more ends the sequence. (You can also use the CLEAR key to stop the scan.)

```
10 OUTPUT 709;"RST 600"           !Reset the voltmeter
20 OUTPUT 709;"USE 600"           !Use voltmeter in mainframe slot 6
30 OUTPUT 709;"CONF DCV"         !Select DC volts measurements
40 OUTPUT 709;"MONMEAS DCV,200-204" !Meas/display volts on ch 200-204
50 END
```

A typical return for a 5 V 5% source connected to channel 200 (value in volts) is:

DCV	200	4.999874E + 00
-----	-----	----------------

Mainframe Firmware Revision

Certain voltmeter commands (such as MEAS and DELAY) have additional capability in mainframe firmware revision 2.2 and greater. To determine if your instrument has this capability, use the following program or enter the IDN? command from the front panel to determine the mainframe firmware revision number.

```
10 DIM Identity$(1:4)[17]
20 OUTPUT 709;"IDN?"
30 ENTER 709;Identity$(*)
40 PRINT USING "K,/";Identity$(*)
50 END
```

For example, a typical return for firmware revision 2.2 is:

HEWLETT PACKARD	(Company name)
3852A	(Model number)
0	(Mainframe serial number unknown)
2.2	(Firmware revision 2.2)

Chapter 4

Programming the Voltmeter

Contents

Introduction	4-1
Program Titles	4-1
Getting Started	4-2
Measurements Using CONFMEAS	4-4
CONFMEAS Command	4-4
CONFMEAS Operation	4-7
CONFMEAS Presets	4-7
Examples: Measurements Using CONFMEAS ..	4-9
Measurements Using CONF and MEAS	4-12
Programming Overview	4-12
Voltmeter Commands	4-13
CONF and MEAS Commands	4-14
CONF and MEAS Operation	4-16
Setting Voltmeter Operation	4-18
Setting Integration Time (NPLC)	4-18
Setting Number Readings/Trigger (NRDGS) ..	4-19
Setting Measurement Delays (DELAY)	4-19
Setting Voltmeter Range (RANGE)	4-21
Setting Autorange Mode (ARANGE)	4-22
Example: Setting Voltmeter Operation	4-22
Setting Voltmeter Triggering	4-23
Setting Trigger Source/Mode (TRIG)	4-23
Setting System Trigger Source (TRG)	4-25
Example: Setting Voltmeter Triggering	4-25
Setting Scan Triggering	4-26
Selecting Scan Trigger Source (STRIG)	4-26
Selecting Scan Advance Source (SADV)	4-27
Example: Setting Scan Triggering	4-27
Measurements Not Using MEAS	4-28
Low-Level Multiplexer Measurements	4-28
Controlling Multiplexer Channels (OPEN/CLOSE)	4-29
Setting Autozero Mode (AZERO)	4-29
Transferring Readings (CHREAD)	4-30
Example: Low-Level Multiplexer Measurements	4-31
Rear Panel Measurements	4-31
Setting Input Terminals (TERM)	4-31
Setting Measurement Function (FUNC)	4-32
Setting Offset Compensation (OCOMP)	4-32
Transferring Multiple Readings (XRDGS) ..	4-33
Example: Rear Panel Measurements	4-34
Enabling Interrupts	4-35
Setting Interrupts (ENABLE INTR)	4-35
Example: Enabling Interrupts	4-36
Command Summary	4-37

Programming the Voltmeter

Introduction

This chapter shows how to program the HP 44701A voltmeter for multiplexer and rear panel measurements. The chapter has five sections:

- **Introduction** lists the chapter contents, shows example program titles, and shows a suggested getting started sequence.
- **Measurements Using CONFMEAS** shows how to make multiplexer measurements using the CONFMEAS command.
- **Measurements Using CONF and MEAS** shows how to make multiplexer measurements using the CONF, MEAS, and low-level commands.
- **Measurements Not Using MEAS** shows how to use CONF and/or low-level commands to make multiplexer and rear panel measurements and to enable interrupts.
- **Command Summary** is an alphabetical summary of commands which apply to the HP 44701A voltmeter.

Program Titles

Table 4-1 lists the titles of the example programs in this chapter, listed by section title.

Table 4-1. Example Program Titles

Title	Description	Command (s)
Measurements Using CONFMEAS		
DC Voltage Measurements	Measure DC Voltages on multiplexer channels.	CONFMEAS
Resistance Measurements	Measure the resistance on a multiplexer channel.	CONFMEAS
Temperature Measurements	Measure the temperature of a thermistor.	CONFMEAS
Reference Temperature Measurement	Measure the isothermal block block temperature.	CONFMEAS
Measurements Using CONF and MEAS		
Setting Voltmeter Operation	Set integration time, number of readings/trigger, delays and range.	NPLC, NRDGS, DELAY, RANGE
Setting Voltmeter triggering	Set voltmeter trigger source.	TRIG, TRG
Setting Scan Triggering	Set scan trigger source and scan advance source.	SADV, STRIG
Measurements Not Using MEAS		
Low-level Multiplexer Measurements	Use CONF and low-level commands for multiplexer measurements.	CLOSE, AZERO, CHREAD
Rear Panel Measurements	Use low-level commands for rear panel measurement.	FUNC, OCOMP, XRDGS
Enabling Interrupts	Use low-level commands to enable a voltmeter interrupt.	ENABLE INTR

Getting Started

As shown in Figure 4-1, you can program the voltmeter or multiplexer or rear panel measurements or you can make field wiring checks.

Multiplexer Measurements

You can make multiplexer measurements in one of three ways: use CONFMEAS; use CONF and MEAS along with low-level commands; or use CONF and/or low-level commands (not using MEAS).

- **Measurements Using CONFMEAS:**

The easiest way to make multiplexer measurements is to use CONFMEAS which sets the voltmeter to a known condition and makes the measurement with a single command. Therefore, first refer to "Measurements Using CONFMEAS" to see if your measurement can be made with CONFMEAS.

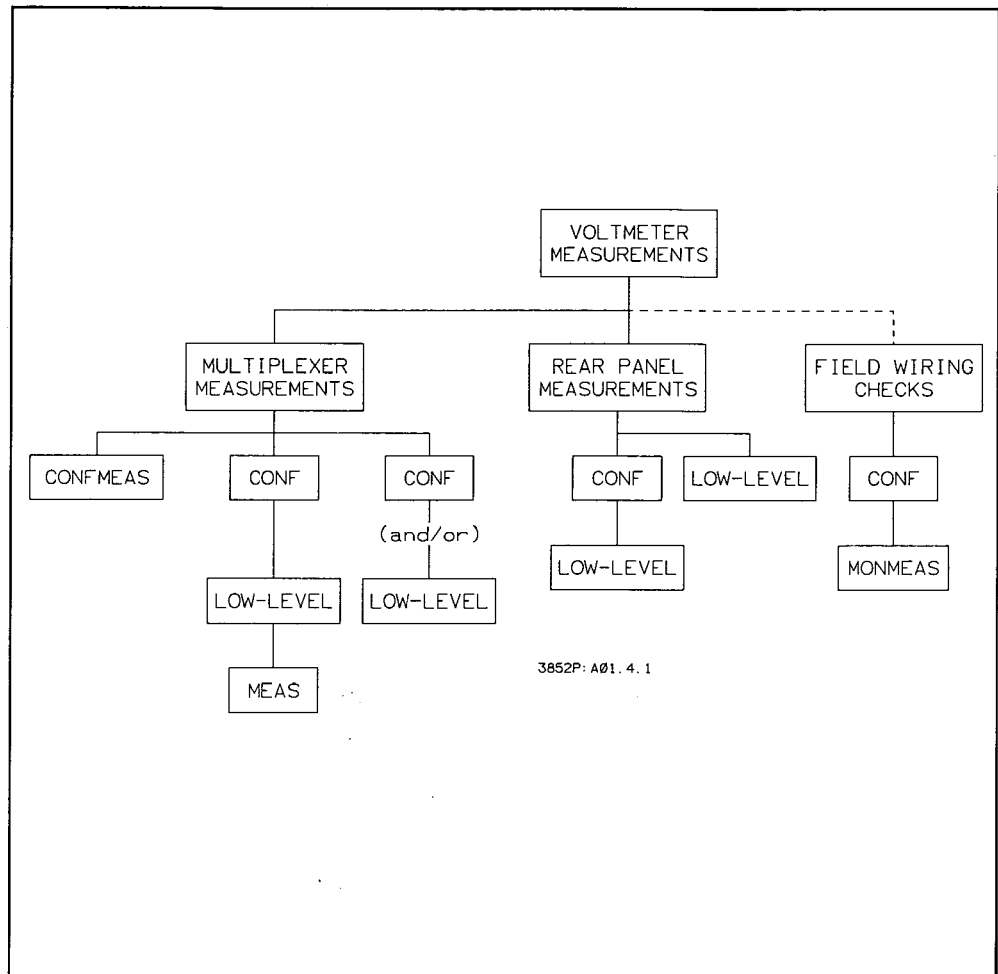


Figure 4-1. Voltmeter Measurements Overview

- **Measurements Using CONF and MEAS:**

Since CONFMEAS sets the voltmeter to a preset condition, if you need to change operating conditions set by CONFMEAS you can use CONF and MEAS along with low-level commands. Refer to "Measurements Using CONF and MEAS" for details.

- **Measurements Not Using MEAS:**

Using CONFMEAS or CONF and MEAS along with low-level commands will probably meet most multiplexer measurement requirements. However, if you need to enable interrupts, make rear panel measurements, or close channels with the CLOSE command. CONFMEAS or MEAS cannot be used. Refer to "Measurements Not Using MEAS" for applications when CONFMEAS or MEAS cannot be used.

Rear Panel Measurements

You can make rear panel measurements using CONF and/or low-level commands. Refer to "Measurements Not Using MEAS" for details.

Field Wiring Checks

Refer to Chapter 3 - Installation and Checkout to check multiplexer field wiring connections using MONMEAS.

Measurements Using CONFMEAS

This section shows how to make multiplexer measurements using the CONFMEAS command. It includes a summary of the CONFMEAS command, describes voltmeter operation with CONFMEAS, shows the preset values for the CONF phase of CONFMEAS, and shows measurement examples using CONFMEAS.

CONFMEAS Command

CONFMEAS can be used with the HP 44701A voltmeter to make AC or DC voltage, AC or DC current (when user-supplied shunt is installed), strain, resistance (2-wire or 4-wire ohms), and temperature (thermocouples, thermistors, or RTDs) measurements. The advantage of using CONFMEAS is that it allows you to quickly and easily configure the voltmeter for a wide variety of measurements with a single command. The CONFMEAS syntax is:

```
CONFMEAS function ch_list[NSCAN number] [USE ch] [INTO name] or [fmt]
```

NOTE

- 1. The NSCAN number parameter applies only to instruments which have firmware revision 2.2 or greater.*
 - 2. For the HP 44717A, 44718A, 44719A, and 44720A strain gage multiplexers, CONFMEAS includes additional optional and/or required parameters. Refer to the HP 44717A, 44718A, 44719A, and 44720A Strain Gage Accessories Configuration and Programming Manual for details.*
-

CONFMEAS configures the voltmeter for a specific measurement function, scans, measures, and transfers data. CONFMEAS can be used only for multiplexer measurements. CONFMEAS does the following:

- Configures the voltmeter to a function appropriate to the specified measurement function (DCV, OHM, etc.) and sets the voltmeter to a known programmed state. The measurement function is specified by the *function* parameter.
- Causes specified multiplexer channel(s) to be scanned and measured and associated data conversion (voltage to temperature in °C or voltage to strain) to be performed (as required) on the results. The channels to be scanned are defined by the *ch_list* parameter. (The optional NSCAN *number* parameter sets the number of times the channels in the *ch_list* will be scanned.)
- As part of thermocouple measurements, measures the isothermal block reference thermistor on the terminal module to provide a reference value for temperature conversions. CONFMEAS can also be used to measure the isothermal block reference temperature only.
- Transfers measurement data to the mainframe memory (when INTO *name* is used) or to the output buffer and display (when INTO *name* is not used).

Table 4-2 shows CONFMEAS *function* parameters and data returns for the *function*. Note that CONFMEAS is actually two commands in one: CONF and MEAS. The configuration phase of CONFMEAS is equivalent to the CONF command, while the measurement phase of CONFMEAS is equivalent to the MEAS command. That is, CONFMEAS is equivalent to a CONF command followed immediately by a MEAS command.

Table 4-2. CONFMEAS Functions/Data Returns

function:	Configure for:	Data Returned:
Voltage		
ACV	AC voltage	AC voltage on chs in ch_list
DCV	DC voltage	DC voltage on chs in ch_list
Resistance		
OHM	2-wire ohms.	Resistance on chs in ch_list
OHMF	4-wire ohms [1].	Resistance on chs in ch_list
Temperature		
TEMPtype	Reference temperature and thermocouple voltage measurements type = B, E, J, K, N14 [N (AWG 14)], N28 [N (AWG 28)], R, S, and T.	Thermocouple temp (°C) on chs in ch_list, compensated to 0°C reference.
REFT	Reference temperature measurement of isothermal block.	Reference temp (°C) of isothermal block in slot addressed.
THMtype	2-wire ohms measurement of thermistor. type = 2252 (2252 Ω thermistor) = 5K (5 kΩ thermistor) = 10K (10 kΩ thermistor)	Thermistor temp (°C) on chs in ch_list.
THMftype	4-wire ohms measurement of thermistor [1]. type = same as THMtype.	Thermistor temp (°C) on ch in ch_list.
RTDtype	2-wire ohms measurement of RTD. type = 85 (RTDs with $\alpha = 0.00385 \Omega/\Omega/^\circ\text{C}$) = 92 (RTDs with $\alpha = 0.003916 \Omega/\Omega/^\circ\text{C}$)	RTD temp (°C) on ch in ch_list.
RTDFtype	4-wire ohms measurement of RTD [1]. type = same as RTDtype.	RTD temp (°C) on ch in ch_list.
Strain [2]		
STRVEX	Bridge excitation voltage ($\pm VS$)	Bridge excitation voltage
STRUN	Bridge output which is ref for corresponding strain measurement.	Bridge output voltage
STRQ	¼ bridge strain.	Strain or microstrain [3]
STRFB	Bending full bridge strain.	Strain or microstrain [3]
STRHB	Bending ½ bridge strain.	Strain or microstrain [3]
STRQTEN	Shunt verification (tension shunt) diagnostic (HP 44717A or 44718A only)	Microstrain
STRQCOMP	Shunt verification (compression shunt) diagnostic (HP 44717A or 44718A only).	Microstrain
STRHP	½ bridge Poisson strain.	Strain or microstrain [3]
STRFBP	Bending full bridge Poisson strain.	Strain or microstrain [3]
STRFP	Full bridge Poisson strain.	Strain or microstrain [3]
Notes:		
[1] = For 4-wire ohms functions, specify only the Sense channel. CONFMEAS automatically selects the proper Source channel.		
[2] = STRVEX, STRUN, DCV, and OHMxx apply to function1. STRQ, STRHB, STRFB, STRQTEN, and STRQCOMP apply to function2. STRHP, STRFBP, and STRFP apply to function3. Refer to the CONFMEAS command in the HP 3852A Command Reference Manual for definition of function1, function2, and function3.		
[3] = Depends on Gage factor (GF factor).		

CONFMEAS Operation

Figure 4-2 is a simplified version of voltmeter operation for CONFMEAS. When CONFMEAS is executed the voltmeter is configured (1), any required thermocouple or strain references are measured (2), and the scan sequence is started (3).

When the scan sequence is started, the first channel in the channel list is closed and the voltmeter is triggered. After a default delay time t , a measurement (m_1) is made on the first channel in the channel list (4). The default delay time depends on the function, range, and NPLC settings for the voltmeter.

When the first channel is measured, the data is transferred to the mainframe (5), the scan is advanced to the second channel in the channel list (6), and a measurement is taken on the second channel. This sequence repeats for each channel in the channel list. When the last channel is measured, the channel is opened and the scan ends (7).

If the CONFMEAS NSCAN parameter (valid only for firmware revision 2.2 and greater) is not specified, the scan sequence ends at (7). If NSCAN *number* is specified, the scan sequence is repeated *number* times. For example, with NSCAN 3 and 10 channels in the channel list, 30 measurements are taken.

CONFMEAS Presets

As noted, executing CONFMEAS is equivalent to executing a CONF command followed immediately by a MEAS command. To help you decide whether to use CONFMEAS or to use CONF and low-level commands, Table 4-3 shows the values set with the CONF command (presets) which are the same as those set by the CONF phase of CONFMEAS.

If these presets are acceptable for your measurement, refer to the next subsection “Examples: Measurements Using CONFMEAS” for some example programs using CONFMEAS. If not, refer to the next section “Measurements Using CONF and MEAS”.

Executing CONF (or the CONF phase of CONFMEAS) is equivalent to setting the twelve low-level commands shown in Table 4-3 in the order shown. CONF does not change the previous settings of any commands not shown in Table 4-3.

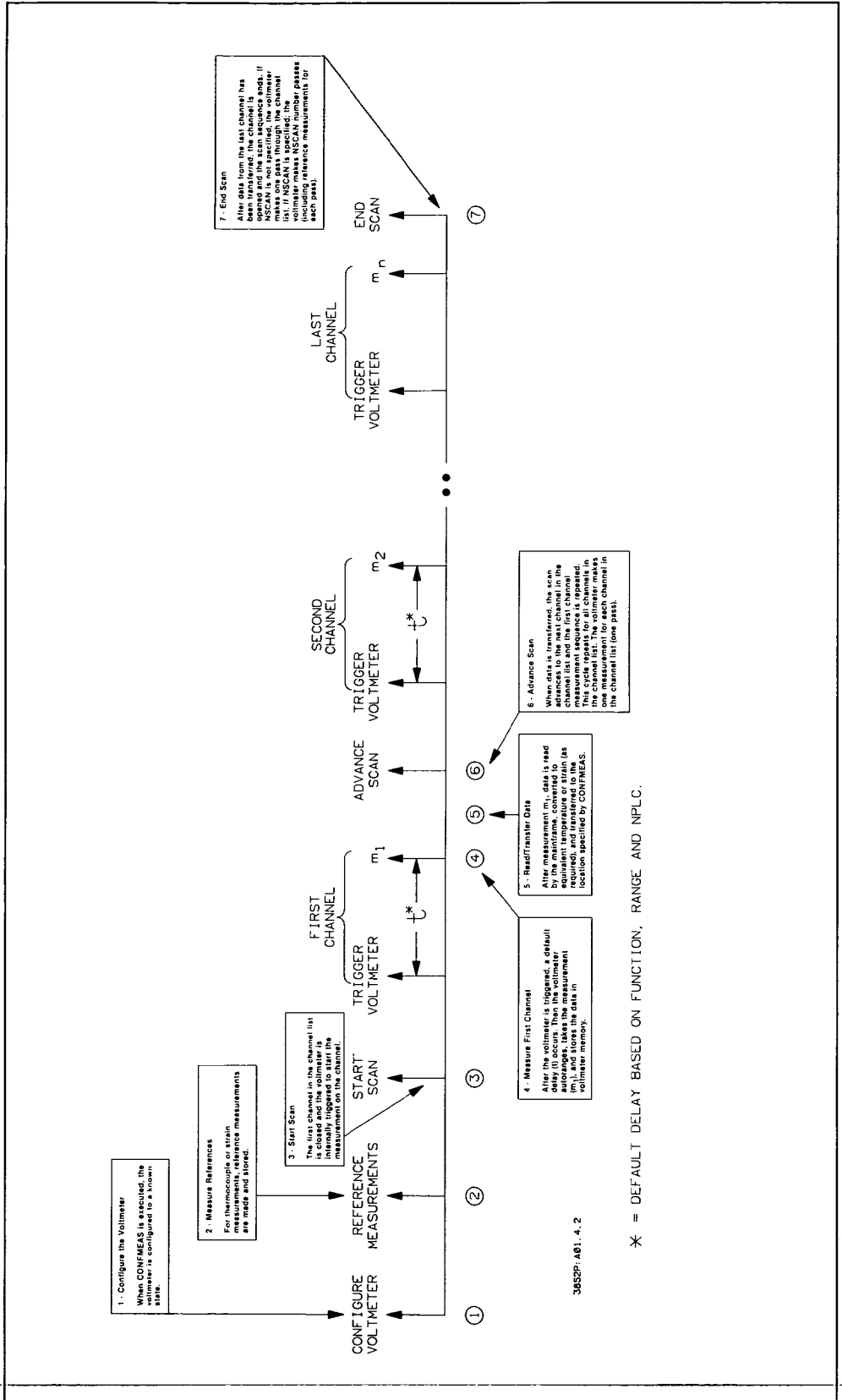


Figure 4-2. CONFMEAS Operation

Table 4-3. CONFMEAS Command Preset Values

Command/Preset(s)	Definition	Notes
STRIG SCAN	Start scan immediately.	
SADV SCAN	Advance scan when NRDGS rdgs available.	
TRIG HOLD	Trigger is disabled (no trigger).	[1]
DELAY t	Built-in delay as set by CONF.	[2]
AZERO ON	Autozero after every reading.	
FUNC DCV, ACV, or OHMF	As appropriate for CONFMEAS function.	[3]
RANGE AUTO	Autorange mode.	[4]
TERM BOTH	Backplane bus/rear panel are both inputs.	
NRDGS 1	One reading/trigger.	
NPLC 1	One power line cycle (PLC) @ 60 Hz.	
OCOMP OFF	Offset compensation disabled.	
DISABLE INTR	Voltmeter interrupts disabled.	

Notes:

[1] = TRIG HOLD is changed to TRIG SCAN by the MEAS phase of CONFMEAS.

[2] = Built-in default delay based on voltmeter function/range/NPLC.

[3] = Function set (ACV, DCV, or OHMF) depends on function parameter of CONFMEAS command.

[4] = For mainframe firmware revisions 2.2 and greater, CONF TEMType sets RANGE AUTO. For earlier firmware revisions, the 30 mV range is selected for B, N28 [N (AWG 28)], R, S, and T type thermocouples and the 300 mV range is selected for E, J, K, and N14 [N (AWG 14)] thermocouples.

CAUTION

CONFMEAS sets TERM BOTH which allows inputs to both the rear panel terminals and the mainframe backplane bus (i.e., multiplexers). Thus, any voltage on a closed multiplexer channel also appears on the rear panel terminal. Also, any voltage on the rear panel terminals appears on the multiplexer channel. To avoid damage to the voltmeter or to the system, do not connect any input to the rear panel terminals when making backplane (multiplexer) measurements.

**Examples:
Measurements
Using
CONFMEAS**

Four program examples using CONFMEAS for multiplexer measurements follow. The first example measures DC voltage, the second measures resistance using 4-wire ohms, the third measures the temperature of a thermistor, and the fourth measures a reference temperature.

The first three examples use an HP 44705A 20-Channel Relay Multiplexer in slot 5 of the mainframe and an HP 44701A voltmeter in slot 6 of the mainframe. See Figure 3-2 in Chapter 3 for typical connections. The fourth example uses an HP 44708A in slot 5 of the mainframe. You should also refer to the appropriate multiplexer configuration and programming manual for additional details.

NOTE

The HP 44701A can be used to indirectly measure AC or DC currents by measuring the voltage drop across a resistor mounted on a multiplexer which has current shunt capabilities. Refer to the appropriate multiplexer configuration and programming manual for details.

Example: DC Voltage Measurements (CONFMEAS)

This program uses CONFMEAS to measure DC voltages connected to channels 500 through 509 of an HP 44705A multiplexer. Since NSCAN number is not specified, the voltmeter makes a single pass through the channel list.

10 DIM Volts(0:9)	!Dimension controller array
20 OUTPUT 709;"USE 600"	!Use voltmeter in mainframe slot 6
30 OUTPUT 709;"CONFMEAS DCV,500-509"	!Conf/meas DC volts, ch 500-509
40 ENTER 709;Volts(*)	!Enter 10 readings
50 PRINT USING "K,/";Volts(*)	!Display 10 readings
60 END	

For a set of 5 V 5% sources, a typical return (values in volts) is:

4.9975	} 10 readings
5.0025	
.	
.	
4.9875	

Example: Resistance Measurements (CONFMEAS)

CONFMEAS can also be used for 2-wire or 4-wire ohms resistance measurements (refer to Table 4-2). This program measures resistance using 4-wire ohms on channel 500 of an HP 44705A multiplexer.

Note that only the Sense channel (channel 500) is specified in the CONFMEAS *ch_list* parameter, since CONFMEAS automatically assigns the correct channel (channel 510 in this case) as the Source channel. Also, note that CONFMEAS OHMF configures the voltmeter for 4-wire ohms measurements and that measurement results are returned in Ω .

```
10 OUTPUT 709;"USE 600"           !Use voltmeter in mainframe slot 6
20 OUTPUT 709;"CONFMEAS OHMF,500" !Conf/meas resistance on ch 500
30 ENTER 709;A                    !Enter results
40 PRINT A                        !Display results
50 END
```

A typical return for a 10 k Ω 5% resistor (value in Ω) is:

9993.75

Example: Temperature Measurements (CONFMEAS)

CONFMEAS can be used for a wide variety of temperature measurements, including RTDs, thermistors, and thermocouples. CONFMEAS can also be used to measure the reference temperature for thermocouple measurements.

The HP 3852A supports 2252 Ω , 5 k Ω , and 10 k Ω thermistors; Type 85 and 92 RTDs; and Type B, E, J, K, N14 [N (AWG 14)], N28 [N (AWG 28)], R, S, and T thermocouples. Both 2-wire and 4-wire ohms techniques can be used for RTD or thermistor measurements, but accuracy is reduced for 2-wire ohms measurements (2-wire ohms measurements are NOT recommended for FET multiplexers).

This program uses CONFMEAS to measure the temperature of a 2252 Ω thermistor connected to channel 500 of an HP 44705A multiplexer. See Figure 3-2 for typical thermistor connections to channels 500 and 510 of the multiplexer.

```
10 OUTPUT 709;"USE 600"           !Use voltmeter in mainframe slot 6
20 OUTPUT 709;"CONFMEAS THMF2252,500" !Conf/meas Type 2252 thermistor
30 ENTER 709;A                    !Enter temperature
40 PRINT A                        !Display temperature
50 END
```

For a 2252 Ω thermistor at room temperature, a typical return (value in $^{\circ}\text{C}$) is:

24.312

Example: Reference Temperature Measurement (CONFMEAS)

As noted, the HP 3852A supports Type B, E, J, K, N14 [N (AWG 14)], N28 [N (AWG 28)], R, S, and T thermocouples. However, if you want to measure other thermocouples, you will need to measure the reference temperature for use in your own linearization program. This program uses CONFMEAS to measure the reference temperature of an HP 44708A multiplexer in slot 5 of the mainframe.

```
10 OUTPUT 709;"USE 600"           !Use voltmeter in mainframe slot 6
20 OUTPUT 709;"CONFMEAS REFT,500" !Measure reference temperature
30 ENTER 709;A                    !Enter reference temperature
40 PRINT A                        !Display reference temperature
50 END
```

A typical return at room temperature (value in °C) is:

24.312

Measurements Using CONF and MEAS

This section shows how to use CONF and MEAS along with some low-level commands for multiplexer measurements. Low-level commands discussed in this section are ARANGE, DELAY, NPLC, NRDGS, RANGE, SADV, STRIG, TRG, and TRIG. (Note that SADV, STRIG, and TRG are mainframe rather than voltmeter commands.) Refer to "Measurements Not Using MEAS" for a discussion of other low-level commands.

Programming Overview

As previously shown, CONFMEAS configures the voltmeter, takes the measurement, and reads the data with a single command. However, CONFMEAS sets the voltmeter to a specific configuration. If your measurement cannot be made with CONFMEAS, you can modify the voltmeter configuration by using the CONF and MEAS commands and low-level commands.

The programming sequence used in this subsection will be to first configure the voltmeter to a known state with the CONF command, modify the CONF settings with one or more low-level commands, and use MEAS to make the measurements and transfer the data. We'll show how to use nine low-level commands to modify the voltmeter settings: ARANGE, DELAY, NPLC, NRDGS, RANGE, SADV, STRIG, TRG, and TRIG.

Refer to "Setting Voltmeter Operation" for the ARANGE, DELAY, NPLC, NRDGS, and RANGE commands. Refer to "Setting Voltmeter Triggering" for the TRG and TRIG commands. Refer to "Setting Scan Triggering" for the SADV and STRIG commands.

NOTE

You can probably make most multiplexer measurements using CONF, MEAS, and one or more low-level commands. However, if you need to make rear panel measurements, use OPEN and CLOSE, or enable interrupts, MEAS cannot be used. In this case, refer to the next section "Measurements Not Using MEAS".

Voltmeter Commands

Table 4-4 summarizes commands for the voltmeter. The table has three parts. The first part shows the four high-level commands (CONF, CONFMEAS, MEAS, and MONMEAS) associated with the voltmeter. The second part shows associated low-level commands for which power-on and default values do not apply. The third part shows low-level voltmeter commands which have a power-on and/or default value.

In Table 4-4, since FUNC has two parameters the command is listed twice, once for each parameter. Also note that the power-on state is the same as the reset (RST or RST *slot*) state. Refer to the HP 3852A Command Reference Manual for details on the commands.

Table 4-4. Voltmeter Commands

High-Level Commands				
CONF	Configure the voltmeter.			
CONFMEAS	Configure, scan, and measure.			
MEAS	Set function, scan, and measure.			
MONMEAS	Monitor measurements (wiring checks only).			
Low-Level Commands - Data Reads/Queries				
CHREAD	Single data read.			
ID?	Query accessory ID.			
INTR?	Query last interrupt channel serviced.			
TEST	Self-test the voltmeter.			
USE?	Query USEd channel (voltmeter slot used).			
VREAD	Read data from mainframe memory.			
XRDGS	Multiple data reads.			
Low-Level Commands - Power-On/Default Settings				
Command	Description	Power-On	Default	Note
ARANGE [mode]	Autorange mode	ON	ON	
AZERO [mode]	Autozero mode	ON	OFF/ONCE	
CAL	Service cmd	----	----	[1]
DELAY trig_delay	Trigger delay	0 sec	----	
DISABLE event	Disable intr	INTR	----	[2]
FUNC function	Meas function	DCV	----	
FUNC [range]	Meas range	AUTO	AUTO	
NPLC number	Integration time	1 @ 60 Hz	----	[3]
NRDGS number	Rdgs/trigger	1	----	
OCOMP [mode]	Offset comp	OFF	ON	[4]
RANGE [range]	Voltmeter range	AUTO	AUTO	
SADV source	Scan adv source	SCAN	----	[5]
STRIG source	Scan start source	SCAN	----	[5]
TERM terminal	Input terminals	EXT	----	
TRG [source]	System trigger	HOLD	SGL	[6]
TRIG [source]	Trigger source	HOLD	SGL	
USE ch	Voltmeter slot	Low valid slot	----	[7]
Notes:				
[1] = Refer to HP 3852A Assembly Level Service Manual.				
[2] = Interrupts disabled at power-on.				
[3] = 1 based on a 60 Hz line frequency.				
[4] = OCOMP valid only for 30 Ω through 30 k Ω ranges.				
[5] = Valid for HP 44701A operation only when MEAS is used. STRIG and SADV are mainframe commands.				
[6] = TRG is a mainframe command.				
[7] = May or may not be the slot the voltmeter is in.				

CONF and MEAS Commands Before showing how to use the low-level commands to modify voltmeter settings, we will briefly discuss the CONF and MEAS commands and show the conditions (called preset values) set by CONF.

The CONF Command

Executing CONF *function* [USE *ch*] is equivalent to setting the twelve low-level commands shown in Table 4-5 in the order shown. CONF does not change the previous settings of any other commands.

Table 4-5. CONF Command Preset Values

Command/Preset(s)	Description	Notes
STRIG SCAN SADV SCAN TRIG HOLD DELAY t AZERO ON FUNC DCV, ACV, or OHMF RANGE AUTO TERM BOTH NRDGS 1 NPLC 1 OCOMP OFF DISABLE INTR	Start scan immediately. Advance scan when NRDGS rdgs available Trigger is disabled (no trigger). Built-in delay as set by CONF Autozero after every reading. As appropriate for CONF function. Autorange mode set. Backplane bus/rear panel are both inputs. One reading/trigger One power line cycle (PLC) @ 60 Hz. Offset compensation disabled. Voltmeter interrupts disabled.	[1] [2] [3]
<p>[1] = Built-in delay based on voltmeter function/range/NPLC.</p> <p>[2] = Function set (ACV, DCV, or OHMF) depends on function parameter of CONF command.</p> <p>[3] = For mainframe firmware revisions 2.2 and greater, CONF TEMType sets RANGE AUTO. For earlier firmware revisions, the 30 mV range is selected for B, N28 [N (AWG 28)], R, S, and T type thermocouples and the 300 mV range is selected for E, J, K, and N14 [N (AWG 14)] thermocouples.</p>		

The MEAS Command

MEAS *function ch_list* [NSCAN *number*] [USE *ch*] [INTO *name*] or [*fmt*] sets the measurement function appropriate for the *function* parameter, initiates a scan and measurement of the multiplexer channels specified by *ch_list*, and makes the number of passes set by the NSCAN *number* parameter.

NOTE

For MEAS and CONFMEAS, (NSCAN *number*) x (number of channels in *ch_list*) x (NRDGS *number*) must be $\leq 67,108,863$.

When measurements have been taken, MEAS automatically transfers the readings to the mainframe memory (when INTO *name* is used) or to the output buffer and/or display (when INTO *name* is not used). For temperature or strain measurements, MEAS also causes associated conversions to be performed on the results.

For thermocouple and strain measurements, all reference measurements are first made (automatically) and then all channel measurements are made. A reference measurement is made each time a slot is crossed in the channel list. For example, MEAS TEMPJ,100-223 makes two reference measurements: one for slot 100 and the second for slot 200. However, MEAS TEMPJ,100,200,101,201 makes four reference measurements: slot 100, slot 200, slot 100 again, and slot 200 again.

Executing MEAS disables all interrupts on the channels measured. If MEAS detects that the voltmeter function set is not compatible with the MEAS *function* specified, the voltmeter is reconfigured and autorange is set. MEAS checks and changes (as necessary) the commands shown in Table 4-6.

Table 4-6. Voltmeter Commands Changed by MEAS

Command	Setting
FUNC TRIG DISABLE INTR	Changed to function set by MEAS function TRIG-HOLD or TRIG AUTO changed to TRIG SCAN DISABLE INTR is set.

**CONF and MEAS
Operation**

Since CONF followed immediately by MEAS is equivalent to a CONFMEAS command, voltmeter operation for CONF and MEAS is identical to that for CONFMEAS (see Figure 4-2). However, by using CONF and MEAS along with low-level commands, you can modify voltmeter operation for specific measurement requirements.

Figure 4-3 shows voltmeter operation when CONF and MEAS are used and also shows how some low-level commands can be used to modify voltmeter settings. A summary of voltmeter operation and the related commands shown in Figure 4-3 follows.

When CONF is executed, the voltmeter is configured to a known state and MEAS ensures that the voltmeter is properly set for the specified measurement (1). Then, for strain or temperature measurements, the voltmeter automatically takes and stores the reference measurements (2).

The scan is started by a trigger from the source set by STRIG, the first channel is closed, and the voltmeter makes a single autozero measurement (3). Then, the voltmeter is triggered from the source set by TRIG (4).

After the voltmeter is triggered, the voltmeter takes NRDGS readings on the first channel (5) as set by the NRDGS *number* parameter. DELAY *trig_delay* sets the delay between the trigger and the start of the first measurement (m_1).

For $NRDGS > 1$, DELAY also sets the time between the end of a measurement and the start of the next measurements (from the end of measurement m_1 to the start of measurement m_2 , etc). As each measurement is taken, the data is stored in the voltmeter data buffer. Note that the time for each measurement (m_j) depends on the NPLC, OCOMP, and ARANGE settings and if the measurement caused an overload condition.

Stored readings are transferred to the destination specified by MEAS. Each reading from the first channel must be transferred out of voltmeter memory before the voltmeter will take the next measurement (MEAS automatically transfers readings as required).

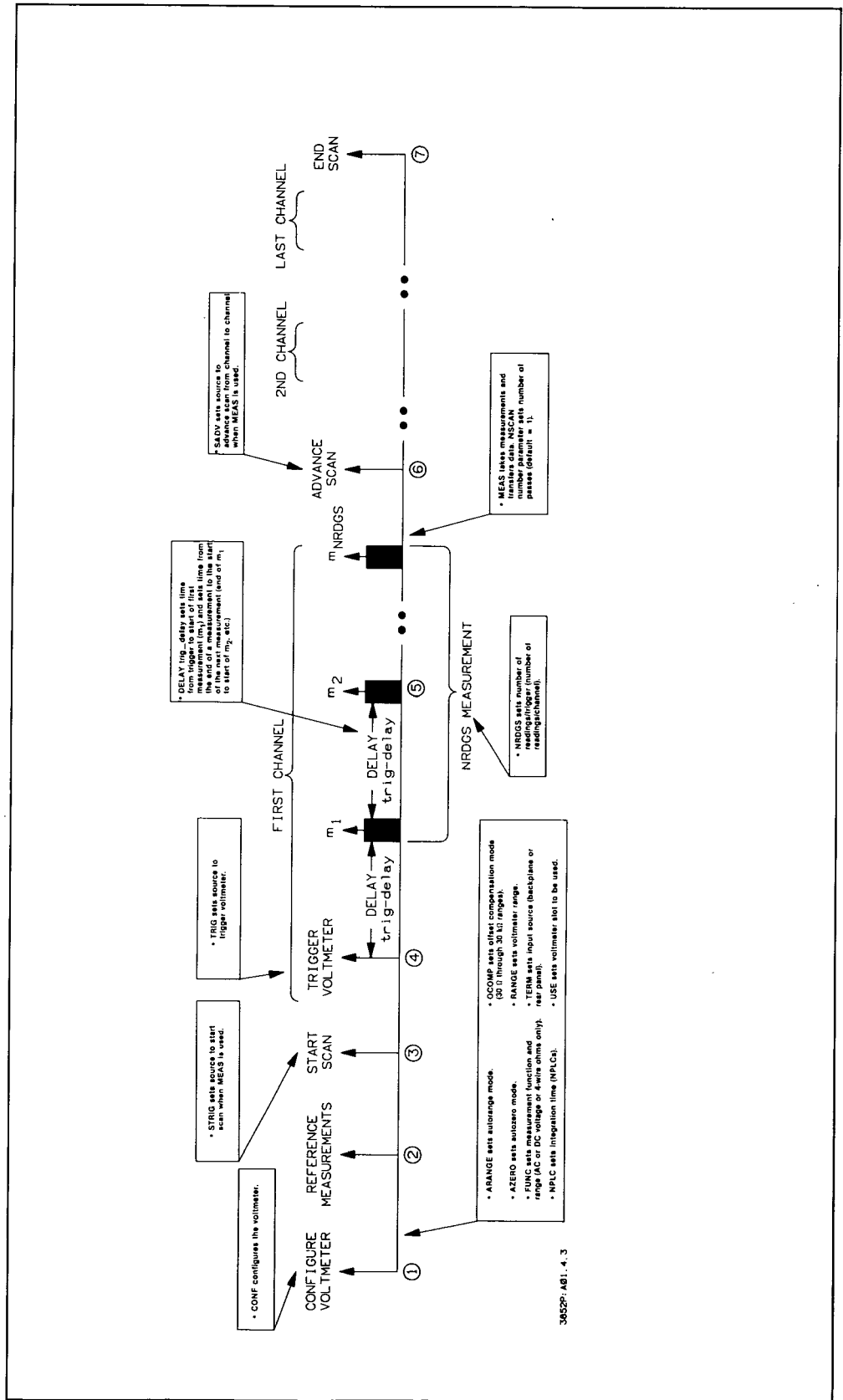


Figure 4-3. CONF and MEAS Operation

After NRDGS readings have been made on channel 1, the scan is advanced to the next channel by a trigger from the source set by SADV (6). (Note that when MEAS is used, STRIG sets the source to start the scan, while SADV sets the source to advance the scan from channel to channel.)

The scan advances through each of the channels in the channel list and the first channel measurement sequence is repeated for each channel. When the data from the last channel has been read, the last channel is opened and the first pass ends (7).

If MEAS NSCAN *number* is not specified, the voltmeter makes one pass through the channel list and the scan sequence ends. Otherwise, the voltmeter makes the number of passes set by NSCAN *number*. For example, with NSCAN 3; 10 channels in the channel list; and 10 readings/trigger, the voltmeter makes 300 measurements. Note that a separate trigger (from STRIG *source*) is required to start each pass.

Setting Voltmeter Operation

This subsection shows how to use the NPLC, NRDGS, DELAY, RANGE, and ARANGE commands to set voltmeter operation for multiplexer measurements.

Setting Integration Time (NPLC)

The HP 44701A samples the input signal for a period of time (integration time) based on the power line frequency as specified with the NPLC *number* command, where *number* is the number of power line cycles (PLC).

You specify integration time as a number of power line cycles (PLCs) with the NPLC command. The voltmeter then multiplies the specified number of PLCs by the power line period to determine the integration time. For example, the period of a 50 Hz power line is $1/50 = 20$ msec. If NPLC *number* = 0.1 (0.1 PLCs), integration time = $20 \text{ msec} \times 0.1 = 2$ msec.

Integration time controls measurement speed, accuracy, maximum digits of resolution, and the amount of normal mode rejection (ability to reject the line frequency from the measurement). Power-on integration time is 1 PLC at a line frequency of 60Hz.

NOTE

At power-on, the voltmeter bases its integration time on a line frequency of 60 Hz regardless of actual power line frequency. For 50 Hz or 400 Hz line frequency, you must execute the NPLC or CONF command before making measurements to select the proper line frequency reference for the A/D converter.

With longer integration times, measurement resolution, accuracy, and normal mode rejection increases but measurement speed decreases. Table 4-7 shows the relationship between the number of PLCs, maximum number of converted digits, maximum reading rate, and normal mode rejection. Note that only integral numbers of PLCs (1 and 16) provide normal mode rejection. Also, for AC voltage measurements, reading rate is 1.5 readings/sec regardless of integration time.

Table 4-7. NPLC vs. Measurement Values

Power Line Cycles	Integration Time		Number of Converted Digits	Reading Rate [1]		Normal [2] Mode Rejection
	60 Hz	50 Hz		60 Hz	50 Hz	
0.0005	10 μ s	10 μ s	3 1/2	1600	1600	0 dB
0.005	100 μ s	100 μ s	4 1/2	1350	1350	0 dB
0.1	1.67 ms	2.0 ms	5 1/2	415	360	0 dB
1	16.7 ms	20.0 ms	6 1/2	57	48	60 dB
16	267 ms	320 ms	6 1/2	2.7	2.3	60 dB

[1] = Maximum reading rate (readings/sec) with autorange and autozero off. For AC voltage measurements, reading rate is 1.5 readings/sec regardless of integration time.
 [2] = Normal Mode rejection @ 50 or 60 Hz \pm 0.09%.

Setting Number Readings/Trigger (NRDGS)

The voltmeter can be programmed to make from 1 to 65535 measurements for each channel in the channel list as set with *NRDGS number* [USE *ch*]. For power-on, reset (RST), or when CONF is sent the number of readings is set at 1 for each channel in the channel list (NRDGS 1 is set).

As shown in Figure 4-3, since the voltmeter makes *NRDGS number* readings on each channel in the channel list, the total number of readings taken is the number of channels in the channel list times the number of readings per trigger.

For example, with NRDGS 10 and 10 channels in the channel list, the voltmeter makes 100 readings. Note however, that each reading must be read from the voltmeter buffer before the voltmeter will take the next measurement. (MEAS automatically transfers the readings as required.)

NOTE

For MEAS NSCAN, (*NSCAN number*) \times (*number of channels in ch_list*) \times (*NRDGS number*) must be \leq 67,108,863.

Setting Measurement Delays (DELAY)

DELAY *trig_delay* sets the delay interval between measurement cycles. As shown in Figure 4-3, for NRDGS 1 (one reading/trigger) the delay is inserted between the trigger and the start of the first measurement (m_1). For NRDGS >1, the delay is between the trigger and start of the first measurement and between the end of a measurement and the start of the next measurement (from the end of measurement m_1 to the start of measurement m_2 , etc.).

NOTE

Measurement (m) time depends on several factors, such as the NPLC, OCOMP, and ARANGE settings and if the reading causes an overload. Thus, the DELAY trig_delay time is the minimum delay between measurements.

The range of DELAY *trig_delay* is 0 to 4294.967295 seconds. For mainframe firmware revisions 2.2 and greater, *trig_delay* = AUTO can be used which restores default values used at power-on or following a reset (RST or RST slot).

For example, DELAY 0.1 sets a 0.1 second delay from the trigger to the start of the first measurement (for NRDGS = 1) or sets a 0.1 second delay from the trigger to the start of the first measurement and sets a 0.1 second interval between the end of a measurement and the start of the next measurement (for NRDGS > 1). Thus, for ten readings/trigger (NRDGS 10), total measurement time for each channel in the channel list is at least 1 second.

The voltmeter automatically selects a default delay time (settling time) for each measurement function, range, and resolution. The default delay time is automatically updated whenever the function or range changes. However, when a delay time is specified, the value does not change until another delay time is specified; until the voltmeter is reset or power is cycled; or until CONF is executed.

The default delay time for AC voltage measurements is 1.5 seconds regardless of range or resolution. Table 4-8 shows default delay times for DC voltage and 4-wire ohms measurements.

Table 4-8. Default Delay Times

Function	Range	Default Delay Times (μ sec)		
		0.0005	NPLC 0.005	0.1, 1, and 16
DCV	30mV	380	496	600
	300mV	200	260	320
	3V	200	260	320
	30V	36	46	57
	300V	11	14	17
OHMF	30 Ω	320	390	460
	300 Ω	200	240	290
	3 k Ω	200	240	290
	30 k Ω	200	240	290
	300 k Ω	720	880	1000
	3 M Ω	7200	8800	10000

NOTE

1. You can specify a shorter delay time than the default value. However, the resulting settling time may not produce accurate measurements. Also, because of hardware constraints, specified delay times between 1 μ sec and 58 μ sec produce an actual delay time of 30 μ sec.
 2. With OCOMP ON, a delay occurs before the measurement with the current source on and after the measurement with the current source off.
-

Setting Voltmeter Range (RANGE)

At power-on, after a reset (RST), or when CONF is executed, the voltmeter is set for autorange mode. RANGE [*range*] [USE *ch*] can be used to set the voltmeter range or to set autorange. To determine the specific voltmeter range, you must specify the maximum expected signal amplitude or the maximum expected resistance. The voltmeter then automatically selects the correct range. Autorange is selected by entering the word AUTO or the number 0 for the RANGE [*range*] parameter.

NOTE

The HP 44701A indicates an overload condition (input greater than the present range can measure) by sending 1.E+38 to the output buffer and display instead of a reading.

Table 4-9 shows the voltmeter range selected by the RANGE [*range*] parameter for DC and AC voltages and 4-wire ohms ranges (the only valid functions for RANGE). In Table 4-9, any value between the ranges shown selects the range shown. For example, if the voltmeter is configured for DC voltage, any value of RANGE *range* >0.3 through 3 sets the voltmeter to the 3V range.

Table 4-9. RANGE [range] Parameter Values

DC Voltage		AC Voltage		4-Wire Ohms	
range	sets	range	sets	range	sets
0 or AUTO	Autorange	0 or AUTO	Autorange	0 or AUTO	Autorange
>0 - .03	30 mV	>0 - .2	200 mV	>0 - 30	30 Ω
>.03 - .3	300 mV	>.2 - 2	2 V	> 30 - 300	300 Ω
>.3 - 3	3 V	>2 - 20	20 V	>300 - 3E3	3 kΩ
>3 - 30	30 V	>20 - 200	200 V	>3E3 - 3E4	30 kΩ
>30 - 300	300 V			>3E4 - 3E5	300 kΩ
				>3E5 - 3E6	3 MΩ

Setting Autorange Mode (ARANGE)

The ARANGE (autorange) command enables or disables the autorange mode. When autorange is enabled (ARANGE ON), the HP 44701A samples the input prior to each measurement and automatically selects the correct range. With autorange disabled (ARANGE OFF), the range used for previous measurements is used for the subsequent measurements. Power-on and default *mode* is ARANGE ON.

NOTE

With autorange enabled (ARANGE ON), the voltmeter samples the input before each measurement which may affect measurement speed.

Example: Setting Voltmeter Operation

The following example shows a way to change voltmeter operating parameters using NPLC, NRDGS, DELAY, and RANGE for DC voltage measurements on channels 500 through 504 of an HP 44705A multiplexer. See Figure 3-2 for typical connections to the multiplexer.

Example: Setting Voltmeter Operation (NPLC/NRDGS/DELAY/RANGE)

This program uses the NPLC, NRDGS, DELAY, and RANGE command to modify the settings made with CONF (refer to Table 4-5). NRDGS 5 changes the number of readings/trigger to 5; DELAY 0.1 sets 0.1 sec delay from the trigger to the first measurement and sets 0.1 sec between the end of a measurement and the start of the next; and RANGE 5 sets the voltmeter to the 30V range for each channel measured (refer to Table 4-9). The program assumes the maximum expected voltage for channels 500 through 504 is 5 volts.

Since NPLC 0.1 (line 50) sets 0.1 PLC @ 60 Hz and RANGE 5 (line 80) sets the 30V range, the voltmeter is configured for 5 1/2 digits (100 μV of resolution), maximum reading rate of 415 readings/second (@ 60 Hz), 0.0008% + 700 μV accuracy, and noise rejection of 0 dB NMR, 120 dB CMR, and 90-dB-ECMR. (Refer to the Specifications appendix in the HP 3852A Mainframe Configuration and Programming Manual).

```

10 DIM Volts(0:24)                !Dimension controller array
20 OUTPUT 709;"RST 600"           !Reset voltmeter
30 OUTPUT 709;"USE 600"           !Use voltmeter in mainframe slot 6
40 OUTPUT 709;"CONF DCV"         !Set DC volts
50 OUTPUT 709;"NPLC 0.1"         !Set 0.1 PLC integration time
60 OUTPUT 709;"NRDGS 5"          !Set 5 readings/trigger
70 OUTPUT 709;"DELAY 0.1"        !Set 0.1 sec delay
80 OUTPUT 709;"RANGE 5"          !Set 30V range
90 OUTPUT 709;"MEAS DCV,500-504" !Measure channels 500-504
100 ENTER 709;Volts(*)            !Enter 25 readings
110 PRINT USING "K,/";Volts(*)    !Display 25 readings
120 END

```

For a set of 5 V 5% sources, a typical return (values in volts) is:

```

4.997
5.003
.
.
5.001

```

} 25 readings

Setting Voltmeter Triggering

When CONFMEAS (or CONF followed by MEAS) is used, the voltmeter is automatically triggered as required by a trigger from the mainframe. However, you can use the TRIG and TRG commands to trigger the voltmeter from one of several sources. This subsection describes the TRIG and TRG command parameters and shows an example use of these commands.

Setting Trigger Source/Mode (TRIG)

TRIG [*source*] [USE *ch*] sets the source or mode to trigger the voltmeter, as shown in Figure 4-4 and Table 4-10. Power-on *source* is HOLD (no trigger) and default *source* is TRIG SGL (single trigger). CONF (or the CONF phase of CONFMEAS) sets TRIG HOLD, while MEAS (or the MEAS phase of CONFMEAS) changes TRIG HOLD or TRIG AUTO to TRIG SCAN.

Table 4-10. Trigger (TRIG) Sources/Modes

source/mode	Definition
AUTO	Voltmeter internal triggering.
HOLD	No triggering. Triggering is held off.
SCAN	Trigger when multiplexer channel is closed.
SGL	Single trigger when TRIG SGL is executed.
SYS	System trigger pulse (used with TRG command).

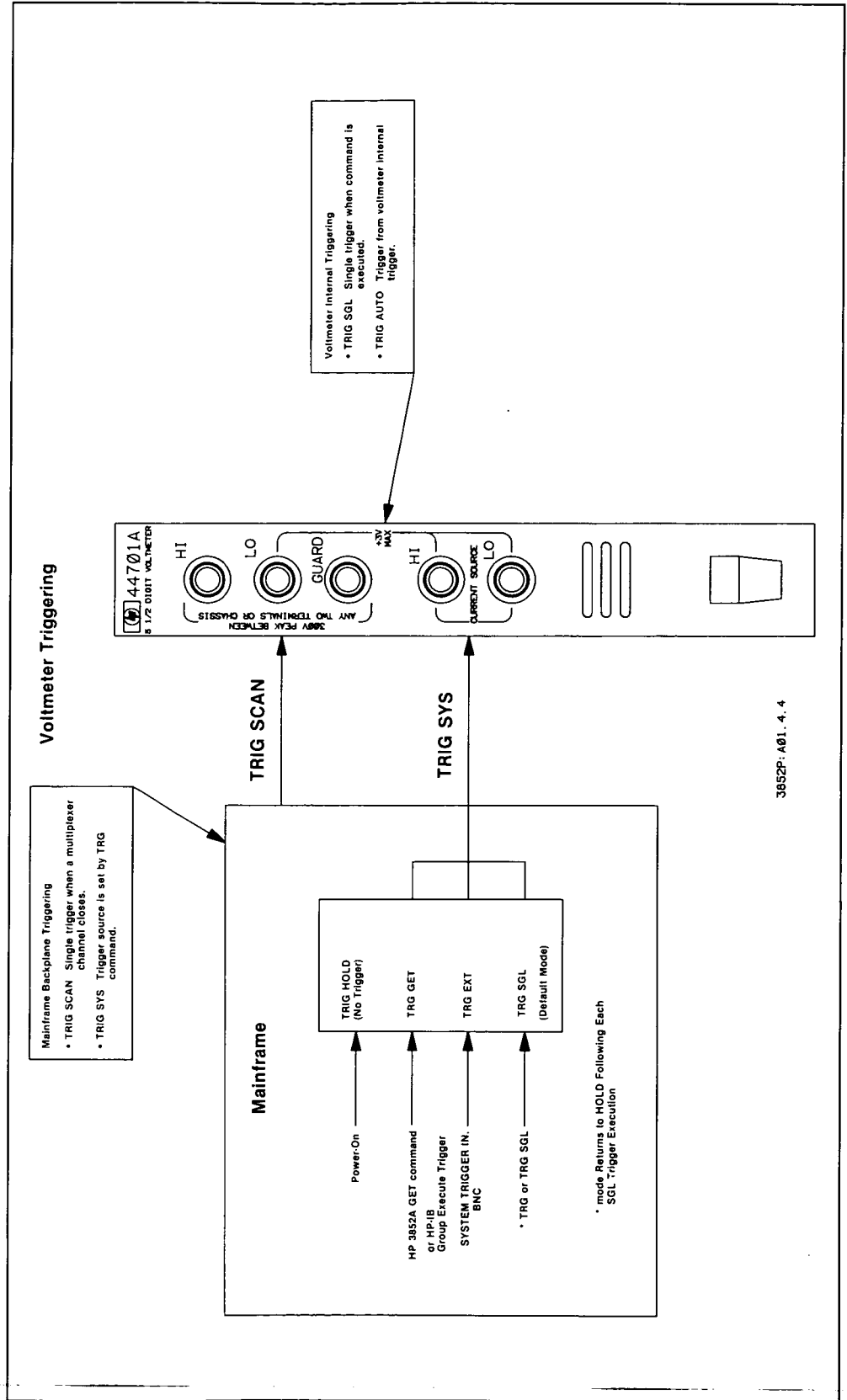


Figure 4-4. Voltmeter Triggering

Mainframe Backplane Triggering (TRIG SCAN, TRIG SYS)

TRIG SCAN and TRIG SYS set mainframe backplane triggering. With TRIG SCAN, the voltmeter is single triggered when a multiplexer channel is closed. TRIG SCAN is set by MEAS or the MEAS phase of CONFMEAS. TRIG SYS is used with the TRG command (refer to the TRG command discussion).

Voltmeter Internal Triggering (TRIG AUTO, TRIG SGL)

You can use TRIG AUTO or TRIG SGL to internally trigger the voltmeter. With TRIG AUTO, the voltmeter generates internal triggers as required during the measurement scan. Use TRIG SGL for a single internal trigger which occurs when TRIG SGL is executed.

Setting System Trigger Source (TRG) As shown in Figure 4-4, the TRG command has four modes: TRG HOLD, GET, EXT, and SGL. (Note that TRIG SYS must be set for the voltmeter to respond to any trigger from the TRG source.) For TRG GET, the trigger source is either the HP 3852A GET command or the HP-IB Group Execute Trigger. For TRG EXT, the source is an input to the SYSTEM TRIGGER IN BNC. For TRG or TRG SGL, the source is an internal (mainframe) trigger generated when the command executes.

NOTE

When triggering the HP 44701A from an external source, it is possible for successive trigger(s) to occur before the voltmeter completes the present measurement. In this case, no error is generated and the first of the successive triggers is stored. When the measurement completes, the stored trigger initiates another measurement.

Example: Setting Voltmeter Triggering This program sets the SYSTEM TRIGGER IN BNC as the voltmeter trigger source and measures the voltage on channels 500-504 of an HP 44705A multiplexer in slot 5 of the mainframe. See Figure 3-2 for a typical connection diagram.

With this setting, a low-going pulse into the SYSTEM TRIGGER IN BNC triggers the voltmeter. Note that TRIG SYS must be set for the system trigger to actually trigger the voltmeter. Also note that five trigger pulses into the SYSTEM TRIGGER IN BNC are required to make the pass through the channel list.

Example: Setting Voltmeter Triggering (TRIG/TRG)

In this program, the voltmeter is triggered by a low-going pulse input to the SYSTEM TRIGGER IN BNC. (Five triggers are required - one for each channel).

10 DIM Volts(0:4)	!Dimension controller array
20 OUTPUT 709;"RST 600"	!Reset the voltmeter
30 OUTPUT 709;"USE 600"	!Use voltmeter in mainframe slot 6
40 OUTPUT 709;"CONF DCV"	!Configure for DC volts
50 OUTPUT 709;"TRG EXT"	!Select SYSTEM TRIGGER IN BNC as source
60 OUTPUT 709;"TRIG SYS"	!Select system triggering
70 OUTPUT 709;"MEAS DCV,500-504"	!Measure ch 500-504
80 ENTER 709;Volts(*)	!Enter 5 readings
90 PRINT USING "K,/";Volts(*)	!Display 5 readings
100 END	

For a set of 5 V 5% sources, a typical return (values in volts) is:

4.996
5.001
4.99
4.986
5.002

Setting Scan Triggering

When MEAS is used, you can use the STRIG and SADV commands to set the source to start and advance the scan, respectively. Note that STRIG and SADV act to open and/or close multiplexer channels and are NOT voltmeter commands.

Setting Scan Trigger Source (STRIG)

When MEAS is used, STRIG *source* sets the trigger source which directs the mainframe to close the first channel in the channel list. The source set by STRIG starts the scan sequence but the source set by SADV advances the scan sequence.

Note that STRIG is a mainframe command and is NOT a voltmeter command. Also, for NSCAN *number* parameter > 1, a separate trigger from STRIG *source* is required for each of the NSCAN passes through the channel list. Refer to Table 4-11 for STRIG *source* parameter descriptions. Power-on and reset *source* is STRIG SCAN.

Table 4-11. Mainframe Scan Trigger (STRIG) Sources

CHADV	Rear panel CHANNEL ADVANCE BNC pulse starts scan.
KEY	Front panel SADV KEY key (scan advance key) starts scan.
PACER	Pulse output from PACER OUT BNC starts scan.
SCAN	Close first channel automatically at beginning of scan.

Setting Scan Advance Source (SADV)

When MEAS is used, SADV *source* sets the trigger source to advance the scan sequence from channel to channel. Note that the source set by STRIG starts the scan sequence but the source selected by SADV advances the channel advance. Also note that SADV is a mainframe command and is NOT a voltmeter command. Refer to Table 4-12 for SADV *source* parameter descriptions. Power-on and reset *source* is SADV SCAN.

Table 4-12. Scan Advance (SADV) Sources

CHADV	Advance scan when the number of readings set by CONF, CONFMEAS, or NRDGS have been taken and readings transferred and an input to the CHANNEL ADVANCE BNC port occurs.
KEY	Advance scan when the number of readings set by CONF, CONFMEAS, or NRDGS have been taken and readings transferred and the front panel SADV KEY key is pressed.
PACER	Advance scan when the number of readings set by CONF, CONFMEAS, or NRDGS have been taken and the readings transferred and a pacer pulse occurs.
SCAN	Advance scan automatically as soon as number of readings set by CONF, CONFMEAS, or NRDGS have been taken and readings transferred. (CONF and CONFMEAS set one reading/trigger.)

Example: Setting Scan Triggering

This example uses the system pacer and the STRIG and SADV commands to control scan start and scan advance for DC voltage measurements on channels 500 through 504 of an HP 44705A multiplexer. See Figure 3-2 for typical connections to the multiplexer.

Example: Setting Scan Triggering (STRIG/SADV)

This program scans channels 500 through 504 and makes three passes through the channel list (15 measurements total). To start the scan, press the front panel SADV KEY key. After a 1 second delay, the voltmeter measures channels 500 through 504 and halts. Press the SADV KEY key again to start the second pass and press the key a third time to start the third pass.

In the program, PACER 0.1 (line 70) sets the system pacer to continuously output pulses at 0.1 second intervals and PDELAY 1 (line 80) delays the first pulse 1 second after PTRIG SGL (line 90) activates the system pacer.

Note that although MEAS NSCAN 3 (line 100) sets three passes through the channel list, the SADV KEY key must be pressed to start the scan for EACH pass (of 5 readings).

10 DIM Volts(0:14)	!Dimension controller array
20 OUTPUT 709;"RST 600"	!Reset the voltmeter
30 OUTPUT 709;"USE 600"	!Use voltmeter in mainframe slot 6
40 OUTPUT 709;"CONF DCV"	!Set DC volts, set SADV SCAN
50 OUTPUT 709;"STRIG KEY"	!Start when SADV KEY key pressed
60 OUTPUT 709;"SADV PACER"	!Set pacer pulses as ch adv source
70 OUTPUT 709;"PACER 0.1"	!Set pacer pulses 0.1 sec apart
80 OUTPUT 709;"PDELAY 1"	!Delay 1st pacer pulse 1 sec
90 OUTPUT 709;"PTRIG SGL"	!Send pacer trigger pulse
100 OUTPUT 709;"MEAS DCV,500-504,NSCAN 3"	!Meas ch 500-504; make 3 passes
110 ENTER 709;Volts(*)	!Enter 15 readings
120 PRINT USING "K,/";Volts(*)	!Display 15 readings
130 END	

For a set of 5 V 5% sources, a typical return (values in volts) is:

4.9975	} 15 readings
4.9925	
.	
.	
5.005	

Measurements Not Using MEAS

All previous examples in this chapter have used MEAS (or the MEAS phase of CONFMEAS) to make the measurement and transfer the data. However, for some applications MEAS cannot be used. This section shows some ways to use low-level commands when MEAS is not used. Three measurement areas are discussed: low-level multiplexer measurements, rear panel measurements, and enabling interrupts.

Low-Level Multiplexer Measurements

As noted, when MEAS is not used, STRIG and SADV are not valid to start or advance the scan, respectively, and CLOSE and OPEN must be used to close and open multiplexer channels. Also, when MEAS is not used, CHREAD or XRDGS must be used to read the data from voltmeter memory. This subsection shows how to use the AZERO, CHREAD, CLOSE, and OPEN commands to make low-level multiplexer measurements.

**Controlling
Multiplexer
Channels
(CLOSE/OPEN)**

When MEAS is not used, you can use the CLOSE *ch_list* command to close channels in the channel list and use the OPEN *ch_list* command to open the channels in the channel list. Note that CLOSE and OPEN do NOT automatically set the tree switches or isolation relays, so these channels must also be specified. Refer to the appropriate multiplexer configuration and programming manual for channel definitions.

CAUTION

The CLOSE command does not close channels in a break-before-make fashion. Therefore, the command can and will cause damage to the multiplexer accessory (relay or FET) and external system if it is used to force one channel open by closing another. This applies to channels in the same bank, in separate banks tied together by the tree relays, and to the relays themselves.

Before a channel is closed with the CLOSE command, use the OPEN command to open the channel that is currently closed. This prevents any two channels from being closed at the same time and reduces the risk of damaging your equipment.

NOTE

CLOSE is a low-level command intended for individual switch control in special signal-routing applications. It is not the easiest way to do routine measurements since the tree switches and isolation relays are not automatically configured as with the high-level commands.

**Setting Autozero
Mode (AZERO)**

The autozero function ensures that internal voltmeter offset errors are nulled from measurement readings. The autozero mode is set with the AZERO [*mode*] parameter. With AZERO ON, the HP 44701A internally disconnects the input signal and makes a zero reading following every measurement. It then subtracts the zero reading from the preceding measurement.

With AZERO OFF or ONCE, the HP 44701A takes one zero reading and subtracts it from all subsequent measurements. The voltmeter also takes a new zero reading whenever the function or range changes. Power-on *mode* is AZERO ON and the default *mode* is OFF/ONCE. AZERO ON cannot be set for AC voltage measurements. Autozero has no effect on resistance measurements.

When the HP 44701A makes a zero reading with AZERO OFF or ONCE, it actually averages 16 zero readings made using the present integration time setting to ensure the zero reading has maximum line frequency rejection. Depending on integration time (set by NPLC), this zero reading may take 500 msec or longer. With AZERO ON, the HP 44701A makes a single zero reading after each measurement (not the average of 16 readings).

In most cases, AZERO ON requires more time per reading than AZERO OFF or ONCE. However, if you are making a series of measurements where the range or function will be changing, you may get faster readings using AZERO ON rather than AZERO OFF or ONCE.

**Transferring
Readings
(CHREAD)**

When MEAS is not used, readings stored in voltmeter memory can be transferred to the mainframe memory or the the output buffer and/or display one at a time with CHREAD *ch* [INTO *name*] or [*fmt*]. CHREAD with INTO *name* transfers data to mainframe memory into a variable or array previously defined with a DIM, REAL, INTEGER, or PACKED command. (Use VREAD to transfer data stored in mainframe memory to the output buffer and/or display.)

Use CHREAD *ch* [*fmt*] to transfer one reading from the voltmeter memory to the output buffer and/or display in the format specified by *fmt*. If neither INTO *name* or *fmt* is used, data is returned in default format to where the command originated.

To transfer a reading, data must be stored in the voltmeter memory and data must be available. If a reading is not available when CHREAD is executed, CHREAD waits until the reading is available and the mainframe remains busy.

NOTE

- 1. When CONFMEAS or MEAS is used, CHREAD is not required (and will not work) since these commands automatically transfer the data to the mainframe memory or output buffer and/or display as part of the command sequence.*
 - 2. Any programming command except ENABLE INTR or DISABLE INTR clears the voltmeter memory data buffer. This guarantees that any data returned by CHREAD (or XRDGS) reflects the current programmed state.*
-

**Example:
Low-Level
Multiplexer
Measurements**

This example shows how to use CLOSE and OPEN to control multiplexer channels and how to use CHREAD to transfer the data from channel measurements for an HP 44705A multiplexer. (See Figure 3-2 for typical connections to the multiplexer.) In addition, AZERO OFF is used so that only a single autozero measurement is made.

Example: Low-Level Multiplexer Measurements (CLOSE/AZERO/CHREAD)

This program measures the voltage on channels 500 and 501 of an HP 44705A multiplexer. Channel 500 is closed with CLOSE, the voltmeter is triggered with TRIG SGL, and data transferred to the controller. Then, channel 500 is opened with OPEN and the sequence repeated for channel 501. AZERO OFF (line 40) sets the voltmeter to autozero once.

```
10 OUTPUT 709;"RST 600"           !Reset voltmeter
20 OUTPUT 709;"USE 600"           !Use voltmeter in mainframe slot 6
30 OUTPUT 709;"CONF DCV"         !Select DC volts
40 OUTPUT 709;"AZERO OFF"        !Autozero once
50 OUTPUT 709;"CLOSE 500,591"    !Close ch 500, sense bus
60 OUTPUT 709;"TRIG SGL"        !Trigger the voltmeter
70 OUTPUT 709;"CHREAD 600"      !Read ch 500
80 ENTER 709;A                   !Enter ch 500 reading
90 PRINT A                        !Display ch 500 reading
100 OUTPUT 709;"OPEN 500"        !Open ch 500
110 OUTPUT 709;"CLOSE 501"      !Close ch 501
120 OUTPUT 709;"TRIG SGL"       !Trigger the voltmeter
130 OUTPUT 709;"CHREAD 600"     !Read ch 501
140 ENTER 709;B                   !Enter ch 501 reading
150 PRINT B                       !Display ch 501 reading
160 OUTPUT 709;"OPEN 501"       !Open ch 501
170 END
```

If 5 V 5% sources are connected, a typical return (values in volts) is:

```
5.01
4.99
```

**Rear Panel
Measurements**

This subsection shows how to use CONF and low-level commands to make rear panel measurements (only AC and DC volts and 4-wire ohms are allowed for rear panel measurements).

**Setting Input
Terminals (TERM)**

The TERM *terminal* parameter sets the input source to the voltmeter. TERM EXT (set at power-on) selects the rear panel terminals while TERM BOTH selects both the analog backplane bus and the rear panel terminals as inputs. Note that CONF sets TERM BOTH (refer to Table 4-5). Also note that there is no way to select the analog backplane bus only.

NOTE

*After using a voltmeter for multiplexer measurements, the voltmeter input terminals remain connected to the analog backplane bus. If another voltmeter is used to make measurements in the same mainframe or extender, the input terminals of both voltmeters are connected in parallel which lowers the effective input impedance of both. In addition, ohms measurements will be in error since there will be two current sources. To prevent this, disconnect the unused voltmeter input terminals from the backplane bus by using **TERM EXT** or by resetting the voltmeter.*

Setting Measurement Function (FUNC)

FUNC *function* [*range*] [USE *ch*] selects a measurement function and a measurement range, where *function* selects the measurement function and *range* selects a measurement range or the autorange mode. Only ACV, DCV, or OHMF can be used for **FUNC** *function*.

To select the **FUNC** measurement range, you must specify the expected maximum signal amplitude or maximum resistance. The voltmeter then selects the correct range. To set autorange, use the word **AUTO** or the number 0 for *range*. Values for the **FUNC** [*range*] parameter are the same as for the **RANGE** [*range*] parameter shown in Table 4-9.

Setting Offset Compensation (OCOMP)

OCOMP [*mode*] controls the offset compensation function on the 30 Ω through 30 k Ω ranges for both 2-wire and 4-wire ohms measurements. Offset compensation allows the HP 44701A to correct for small *external* offset voltages on these ranges. (Offset compensation is not done for the 300 k Ω and 3 M Ω ranges.)

With offset compensation enabled (**OCOMP ON**), the voltmeter sources current and measures the total induced and offset voltage. Then, the voltmeter turns off the current source, measures the offset voltage, and subtracts the offset from the combined voltage to determine induced voltage. The voltmeter then uses this induced voltage value to calculate the unknown resistance (resistance = voltage/current). Table 4-13 shows maximum combined (induced plus offset) voltages for each range.

NOTE

*With offset compensation enabled (**OCOMP ON**), the voltmeter measures the external offset voltage after each resistance measurement which may increase the time per reading. Also, with **OCOMP ON**, autozero is not done on the 30 Ω through 30 k Ω ranges.*

Table 4-13. Maximum Combined Voltages by Range

Resistance Range	Maximum Combined Voltage
30 Ω	30 mV
300 Ω	300 mV
3 k Ω	300 mV
30 k Ω	3 V

Transferring Multiple Readings (XRDGS) When CONFMEAS or MEAS is not used, you can use XRDGS *ch* [*number*] [INTO *name*] or [*fmt*] to transfer readings to the mainframe memory or to the output buffer and/or display. XRDGS with INTO *name* transfers data to the mainframe memory, while XRDGS without INTO *name* transfers data to the output buffer and/or display. (Use VREAD to read data from mainframe memory to the output buffer and/or display.)

XRDGS *ch* [*number*] [*fmt*] transfers multiple readings to the output buffer and/or display in the format specified by *fmt*, where *number* is the number of readings to be transferred (default = 1). The range of *number* is 1 to 2147483647.

If *number* is specified, XRDGS transfers readings as they become available until the specified number of readings have been transferred. If *number* is not specified, the voltmeter returns one reading each time XRDGS is executed. That is, if *number* is not specified, XRDGS is the same as CHREAD.

For example, XRDGS 600,100 transfers 100 readings from a voltmeter in slot 6 of the mainframe to the output buffer and/or display (one at a time) as the readings become available. However, XRDGS 600 (*number* not specified) will transfer only one reading.

Recall that the voltmeter data buffer can store only one reading. Thus, for multiple readings, when a measurement is made the reading is transferred by XRDGS before another measurement is made. When readings are to be transferred over HP-IB, the mainframe allows the voltmeter to make measurements until the output buffer is full (about 68 readings for default format).

When the output buffer is full, the voltmeter must wait until sufficient data is removed from the buffer before it can take another reading. This means that the controller must remove data from the output buffer at a rate high enough to prevent the buffer from filling. (See the following NOTE on Potential Mainframe/Controller Deadlock.)

NOTE

1. When *CONFMEAS* or *MEAS* is used, *XRDGS* is not required (and will not work) to transfer data from voltmeter memory to mainframe memory or output buffer and/or display, since these commands automatically do this as part of the command sequence.
2. Any programming command except *ENABLE INTR* or *DISABLE INTR* clears the voltmeter memory data buffer. This guarantees that any data returned by *XRDGS* (or *CHREAD*) reflects the current programmed state.
3. *Potential Mainframe/Controller Deadlock*. With *INBUF OFF*, the controller and the HP 3852A may deadlock if multiple commands are sent in a single command line and a command generates enough data to fill the output buffer (*XRDGS* can fill the output buffer).

The best way to avoid potential deadlock is to send a single command per command line and read the results as soon as possible after the data-generating command is sent. Refer to Chapter 5 - *HP-IB Communication in the HP 3852A Mainframe Configuration and Programming Manual* for details on potential deadlock.

Example: Rear Panel Measurements

The following program makes five 4-wire ohms measurements of a resistance connected to the voltmeter rear panel terminals. (See Figure 3-3 for typical connections.) Offset compensation is used. For the program, maximum expected resistance to be measured is 1 k Ω .

Example: Rear Panel Measurements (FUNC/OCOMP/XRDGS)

In this program, *FUNC OHMF,1000* sets the voltmeter for 4-wire ohms measurements on the 3 k Ω range. (*TERM EXT* is set by the *RST* command). Since the *number* parameter is specified, *XRDGS* transfers the 5 readings (one at a time) to the output buffer and display.

```
10 DIM Ohms(0:4)           !Dimension controller array
20 OUTPUT 709;"RST 600"    !Reset the voltmeter
30 OUTPUT 709;"USE 600"    !Use voltmeter in mainframe slot 6
40 OUTPUT 709;"FUNC OHMF,1000" !Set 4-wire ohms, 3 kohm range
50 OUTPUT 709;"OCOMP ON"  !Enable offset compensation
60 OUTPUT 709;"NRDGS 5"   !Take 5 readings
70 OUTPUT 709;"TRIG SGL"  !Trigger the voltmeter
80 OUTPUT 709;"XRDGS 600,5" !Transfer 5 readings to output buffer
90 ENTER 709;Ohms(*)      !Enter 5 readings
100 PRINT USING "K,/" ;Ohms(*) !Display 5 readings
110 END
```

A typical return for a 1 k Ω 5% resistor (values in Ω) follows.

9999.7
9998.6
9998.3
9999
9999.9

Enabling Interrupts

This subsection shows how to enable the voltmeter to interrupt and shows an example way to handle the interrupt in an HP Series 200/300 controller.

Setting Interrupts (ENABLE INTR)

At power-on or when MEAS or CONFMEAS is used, voltmeter interrupts are disabled. However, you can enable interrupts by using the ENABLE INTR command. When enabled, the voltmeter generates an interrupt when a reading is available.

NOTE

- 1. Voltmeter interrupts are always serviced by the mainframe, but can be handled by the mainframe or by the controller. Use DISABLE INTR to disable the voltmeter from interrupting.*
 - 2. Use the INTR? command to query the status of interrupts. INTR? returns the address of the last channel whose interrupt was serviced. If no interrupt has been serviced since power-on or following a system reset, -1 is returned.*
-

Handle Interrupt in Mainframe (ENABLE INTR)

To service and handle a voltmeter interrupt in the mainframe, use ON INTR CALL *name* where *name* is the name of the servicing subroutine. When ON INTR CALL *name* is executed (as a result of the interrupt), the interrupt is disabled. Table 4-14 shows a typical sequence of commands to service and handle a voltmeter interrupt in the mainframe.

Table 4-14. Mainframe Interrupt Handling Commands

command	Description
SUB name sub comands SUBEND	Set up servicing subroutine name in mainframe. Define subroutine servicing action. End subroutine.
USE ch ON INTR CALL name	Set which voltmeter is to interrupt. Call servicing subroutine name on interrupt.
ENABLE INTR SYS ENABLE INTR	Enable mainframe to recognize voltmeter interrupt. Enable voltmeter to interrupt.

Handle Interrupt in Controller (ENABLE INTR)

Interrupts can also be serviced in the mainframe but handled by the controller. Table 4-15 shows a typical set of commands to service a voltmeter interrupt in the mainframe and handle the interrupt in an HP Series 200/300 or equivalent controller.

Table 4-15. Controller Interrupt Handling Commands

command	Description
Controller Commands	
ON INTR 7 GOSUB Name*	Call servicing subroutine name on interrupt.
ENABLE INTR 7;2	Enable interface
Name: !	Start controller subroutine
subroutine commands*	Define subroutine actions
SPOLL(709)	Serial Poll - clears SRQ bit
STOP	End controller subroutine
HP 3852A Commands	
USE ch	Set which voltmeter is to interrupt.
RQS INTR (or RQS 512)	Enable RQS Mask Register INTR bit.
RQS ON	Set RQS Mode ON.
ENABLE INTR SYS	Enable mainframe to recognize voltmeter interrupt.
ENABLE INTR	Enable voltmeter to interrupt on data available.
STA?	Clear Status Register FPS,LCL,INTR,LMT,ALRM bits.
CLROUT	Clear output buffer.
configuration commands	Set voltmeter configuration for measurement.

* = HP 200/300 Series controller and/or HP 3852A commands.

Example: Enabling Interrupts

This program enables a voltmeter in slot 6 of the mainframe to interrupt when a trigger is input to the SYSTEM TRIGGER IN BNC. When the interrupt occurs, the HP-IB SRQ line is set TRUE and the interrupt is sent to the controller. The interrupt is handled in controller subroutine Results.

Example: Enabling Interrupts (ENABLE INTR)

When the interrupt occurs (trigger to the SYSTEM TRIGGER IN BNC), this program measures the DC voltage on channel 500 of an HP 44705A multiplexer. (See Figure 3-2 for typical connections.) The STA? command reads the Status Register and clears the FPS, LCL, INTR, LMT, and ALRM bits and CLROUT clears the output buffer. The SPOLL command clears the Status Register service request bit (SRQ bit).

10 ON INTR 7 GOSUB Results	!Call sub Results on interrupt
20 ENABLE INTR 7;2	!Enable controller intr on SRQ
30 OUTPUT 709;"RST 600"	!Reset the voltmeter
40 OUTPUT 709;"USE 600"	!Use voltmeter in mainframe slot 6
50 OUTPUT 709;"RQS ON"	!Set RQS mode ON
60 OUTPUT 709;"RQS INTR"	!Enable RQS Mask Reg INTR bit
70 OUTPUT 709;"STA?"	!Clear FPS,LCL,INTR,LMT,ALRM bits
80 OUTPUT 709;"CLROUT"	!Clear output buffer
90 OUTPUT 709;"CONF DCV"	!Configure for DC volts
100 OUTPUT 709;"CLOSE 500,591"	!Close ch 500, sense bus
110 OUTPUT 709;"TRG EXT"	!Set EXTERNAL TRIGGER IN as source
120 OUTPUT 709;"ENABLE INTR"	!Enable voltmeter intr capability
130 OUTPUT 709;"ENABLE INTR SYS"	!Enable mainframe intr capability
140 OUTPUT 709;"TRIG SYS"	!Set system triggering
150 GOTO 150	!Loop until interrupt occurs
160 Results: !	!Start controller subroutine
170 OUTPUT 709;"TIME"	!Query time of day
180 ENTER 709;T	!Enter time of day
190 PRINT "Ch 500 Intr @ ";TIME\$(T)	!Print interrupt time/message
200 OUTPUT 709;"CHREAD 600"	!Read ch 500 voltage
210 ENTER 709;B	!Enter ch 500 voltage
220 PRINT "Ch 500 Voltage = ";B	!Display ch 500 voltage
230 A=SPOLL (709)	!Read/clear SRQ bit
240 OUTPUT 709;"OPEN 500"	!Open ch 500
250 STOP	!End controller subroutine
260 END	

When a trigger pulse is input to the SYSTEM TRIGGER IN BNC, the interrupt occurs and a typical return (value in volts) is:

```
Ch 500 Intr @ 02:46:50
Ch 500 Voltage = 3.075
```

Command Summary

Table 4-16 summarizes commands which apply to the HP 44701A voltmeter divided by high-level and low-level commands. High-Level commands (CONF, CONFMEAS, MEAS and MONMEAS) perform a series of operations and (when scanning) provide additional measurement functions such as temperature or strain conversions. Low-level commands perform only simple operations such as changing ranges or transferring readings.

Table 4-16. Command Summary

High-Level Commands

CONF *function* [USE *ch*]

Configure the voltmeter measurement function (DCV, OHMF, etc.) and preset values for other functions (autozero, range, etc.).

CONFMEAS *function ch_list* [NSCAN *number*][USE *ch*] [INTO *name*] or [*fmt*]

Configure the voltmeter function, scan, and measure. CONFMEAS is equivalent to CONF followed immediately by MEAS. CONFMEAS can only be used for multiplexer measurements. NSCAN *number* is valid only for mainframe firmware revision 2.2 and greater.

MEAS *function ch_list* [NSCAN *number*] [USE *ch*] [INTO *name*] or [*fmt*]

Set the voltmeter measurement function and initiate a scan and measurement of multiplexer channels specified by *ch_list*. NSCAN *number* is valid only for mainframe firmware revision 2.2 and greater.

MONMEAS *function ch_list* [USE *ch*]

Select voltmeter measurement function, scan, measure, and display. MONMEAS selects the voltmeter function, then causes the voltmeter to measure the first channel in the channel list and display the results on the display. The measurement sequence is advanced to the next channel in the list when the front panel SADV KEY key is pressed.

Low-Level Commands

ARANGE [*mode*] [USE *ch*]

Sets the autorange mode. With ARANGE ON (power-on and default), the voltmeter samples the input and selects the appropriate range before each measurement. With ARANGE OFF (autorange disabled), the range used for previous measurements is used for subsequent measurements.

AZERO [*mode*] [USE *ch*]

Autozero control mode. AZERO ON (autozero always) and AZERO OFF are used only for DC voltage measurements. AZERO ON cannot be used for AC voltage measurements.

CAL

Service-related command. Refer to the HP 3852A Assembly Level Service Manual.

CHREAD *ch* [INTO *name*] or [*fmt*]

Transfer readings stored in the voltmeter data buffer to the mainframe memory or to the output buffer and/or display. The voltmeter must have been triggered and data must be available before CHREAD will return a reading.

Table 4-16. Command Summary (Cont'd)

DELAY *trig_delay* [USE *ch*]

For one reading/trigger, sets the delay between the voltmeter trigger and the measurement. For multiple readings/trigger sets the time between the voltmeter trigger and the first measurement and sets the time between successive measurements.

DISABLE INTR [USE *ch*]

Prevents the voltmeter from generating an interrupt.

ENABLE INTR [USE *ch*]

Enables the voltmeter to generate an interrupt when data is available. The interrupt can be serviced and handled by the mainframe or serviced by the mainframe and handled by the controller.

FUNC *function* [*range*] [USE *ch*]

Sets the measurement function and range. The *function* parameter can be set only for AC or DC voltage or 4-wire ohms measurements. The *range* parameter can be set to one of several ranges or to autorange (AUTO).

ID? [*slot*]

Returns the identity of the accessory in the slot addressed by *slot*. An HP 44701A returns 44701A.

INTR? [INTO *name*] or [*fmt*]

Returns the address of the last channel whose interrupt was serviced. If no interrupt has been serviced since power-on or following a system reset, -1 is returned.

NPLC *number* [USE *ch*]

Sets number of power line cycles (PLC) (integration time) during which the HP 44701A samples the input signal. Integration time = (#PLC) x (power line period).

NRDGS *number* [USE *ch*]

Sets the number of readings/trigger for each channel in the channel list. The range of *number* is 1 to 65535.

Table 4-16. Command Summary (Cont'd)

OCOMP [*mode*] [USE *ch*]

Enables or disables the HP 44701A offset compensation function on the 30 Ω through 30 k Ω ranges for both 2-wire and 4-wire ohms measurements. Offset compensation is not done on the 300 k Ω or 3 M Ω ranges.

RANGE [*range*] [USE *ch*]

Sets the voltmeter measurement range or enables the autorange mode.

SADV *source*

When MEAS is used, sets the source to advance the scan sequence as defined by *source*. Valid *source* are CHADV, KEY, PACER, and SCAN.

STRIG *source*

When MEAS is used, sets the source to start the scan sequence as defined by *source*. Valid *source* are CHADV, KEY, PACER, and SCAN.

TERM *terminal* [USE *ch*]

Selects the voltmeter input terminals. TERM BOTH selects the mainframe backplane bus and rear panel terminals as inputs. TERM EXT selects the rear panel terminals only.

TRG [*source*]

System trigger source. Power-on *source* = HOLD. Default *source* = SGL.

TRIG [*source*] [USE *ch*]

Source or mode for the voltmeter trigger. Power-on *source* is HOLD (no trigger) and the default *source* is SGL (single trigger from source).

USE *ch*

Specifies the slot to be used for voltmeter commands.

USE? [INTO *name*] or [*fmt*]

Returns the current USEd channel (or slot) address last set by the USE command or parameter.

XRDGS *ch* [*number*] [INTO *name*] or [*fmt*]

Transfers a specified number of readings from the voltmeter data buffer to the mainframe memory or to the output buffer and/or display.

Index

Contents

Index I-1



Index

- A**
- A/D converter, 1-2
 - AC voltage
 - measurements, 4-10, 4-23, 4-26, 4-31, 4-36
 - ranges/resolution, 2-6
 - ARANGE, 4-22
 - Autorange, 4-22
 - Autozero, 4-29
 - AZERO, 4-29
- C**
- CHREAD, 4-30
 - CLOSE, 4-29
 - Command summary, 4-37
 - Compensation, offset, 4-32
 - CONF, 4-14
 - CONFMEAS, 4-4
 - Connections
 - 4-wire ohms, 3-6
 - voltage, 3-6
 - Converter, A/D, 1-2
- D**
- DC voltage
 - measurements, 4-10, 4-23, 4-26, 4-31, 4-36
 - ranges/resolution, 2-6
 - Default values, 4-14
 - DELAY, 4-19
 - Delay, trigger, 4-19
 - Delays, default, 4-21
 - Description, 1-1
- E**
- ENABLE INTR SYS, 4-35
 - ENABLE INTR, 4-35
- F**
- FUNC, 4-32
- G**
- GUARD terminal, 1-2
- H**
- HI current source, 1-2
 - HI terminal, 1-2
 - HP-IB address, 3-4
- I**
- ID?, 3-6
 - Indication, overload, 4-21
 - Initial checks, 3-6
 - Input source, selecting, 4-31
 - Input terminals, 1-2
 - Integration time, 1-3, 4-18
 - Interrupts, 4-35
 - INTR?, 4-35
 - Introduction, 1-1
- L**
- LO current source, 1-2
 - LO terminal, 1-2
- M**
- Maximum offset voltages, 4-33
 - Maximum voltage, 3-3
 - MEAS, 4-15
 - Measurements
 - resistance, 4-10, 4-34
 - temperature, 4-11
 - voltage, 4-10, 4-23, 4-26, 4-31, 4-36
 - Monitoring scan, 3-9
 - MONMEAS, 3-9
 - Multiple readings, 4-19
- N**
- Normal mode rejection, 1-1
 - NPLC, 4-18
 - NRDGS, 4-19
- O**
- OCOMP, 4-32
 - Offset compensation, 4-32
 - Offset voltage, maximum, 4-33
 - OPEN, 4-29
 - Overload indication, 4-21
- P**
- Power line cycles, 4-18
 - Power line frequency, 4-18
 - Preset valves, 4-9, 4-15
 - Programming, 4-1
- R**
- RANGE, 4-21
 - Ref temperature, measurement, 4-12
 - Release lever, 1-2
 - Resistance
 - measurements, 4-10, 4-34
 - ranges/resolution, 2-7
- S**
- SADV, 4-27
 - Scan, monitoring, 3-3
 - Selecting input source, 4-31
 - Self-Test, 3-9
 - Setting integration time, 4-18
 - Specifying range, 4-21
 - STA?, 4-35
 - STRIG, 4-26

Index (Cont'd)

T

Temperature measurements, 4-11
TERM, 4-31
TEST, 3-9
Thermistors, types, 2-7
Thermocouples, types, 2-7
Time, integration, 4-18
TRG, 4-25
TRIG, 4-23
Trigger delay, 4-23
Trigger too fast, 4-25
Trigger, system, 4-25

U

USE, 4-40
USE?, 4-40

V

Values, default, 4-14
Voltage measurements, 4-10, 4-23, 4-26, 4-31, 4-36
VREAD, 4-30, 4-33

X

XRDGS, 4-33

44701-90001
Printed in U.S.A.



HP 3852A Data Acquisition/Control Unit

High-Speed Voltmeters

HP 44702A/B and HP 44704A

Configuration and Programming Manual

This is the High-Speed Voltmeters Configuration and Programming Manual for the HP 44702A/B and HP 44704A. Insert this manual and tab page into the Plug-In Accessories Configuration and Programming Manuals Binder.



©Copyright Hewlett-Packard Company 1990

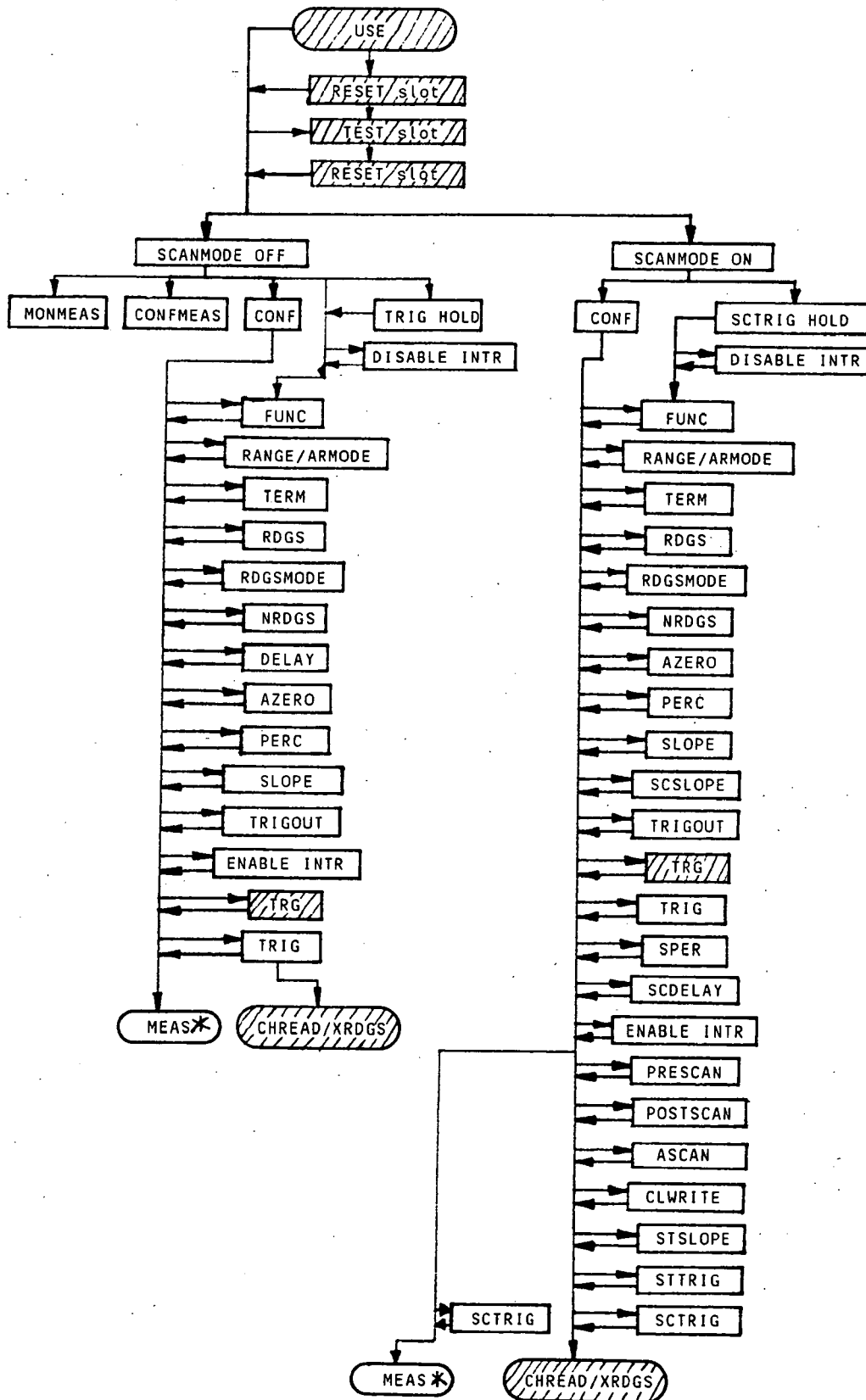


44702-90002

Manual Part Number: 44702-90002
Microfiche Part Number: 44702-99002

Printed: JANUARY 1990 Edition 2
Printed in USA E0190

Programming Tree
for 44702
High Speed DVM



* MEAS command may change certain settings.

HP3852A Data Acquisition/Control Unit

High-Speed Voltmeters

HP 44702A/B and HP 44704A

Configuration and Programming Manual



©Copyright Hewlett-Packard Company 1990

Manual Part Number: 44702-90002
Microfiche Part Number: 44702-99002

Printed: JANUARY 1990 Edition 2
Printed in USA E0190

Printing History

The Printing History shown below lists the printing dates of all Editions and Updates created for this manual. The Edition number changes as the manual undergoes subsequent revisions. Editions are numbered sequentially starting with Edition 1. Updates, which are issued between Editions, contain individual replacement pages which the customer uses to update the current Edition of the manual. Updates are numbered sequentially starting with Update 1. When a new Edition is created, all Updates associated with the previous Edition are merged into the manual. Each new Edition or Update also includes a revised copy of this printing history page.

Many product updates and revisions do not require manual changes and, conversely, manual corrections may be done without accompanying product changes. Therefore, do not expect a one-to-one correspondence between product updates and manual updates.

Edition 1 (Part Number 44702-90001) MARCH 1987
Edition 2 (Part Number 44702-90002) JANUARY 1991

RESTRICTED RIGHTS LEGEND

Use, duplication, or disclosure by the Government is subject to restrictions as set forth in subdivision (b)(3)(ii) of the Rights in Technical Data and Computer Software clause at 52.227-7013.

Hewlett-Packard Company
3000 Hanover Street, Palo Alto, California 94304



Herstellerbescheinigung

Hiermit wird bescheinigt, daß das Gerät/System HP 3852A
in Übereinstimmung mit den Bestimmungen von Postverfügung 1046/84 funkentstört ist.

Der Deutschen Bundespost wurde das Inverkehrbringen dieses Gerätes/Systems angezeigt und die Berechtigung zur Überprüfung der Serie auf Einhaltung der Bestimmungen eingeräumt.

Zusatzinformation für Meß- und Testgeräte

Werden Meß- und Testgeräte mit ungeschirmten Kabeln und/oder in offenen Meßaufbauten verwendet, so ist vom Betreiber sicherzustellen, daß die Funk-Entstörbestimmungen unter Betriebsbedingungen an seiner Grundstücksgrenze eingehalten werden.

Manufacturer's declaration

This is to certify that the equipment HP 3852A
is in accordance with the Radio Interference Requirements of Directive FTZ 1046/84. The German Bundespost was notified that this equipment was put into circulation, the right to check the series for compliance with the requirements was granted.

Additional Information for Test- and Measurement Equipment

If Test- and Measurement Equipment is operated with unshielded cables and/or used for measurements on open set-ups, the user has to assure that under operating conditions the Radio Interference Limits are still met at the border of his premises.

NOTICE

The information contained in this document is subject to change without notice.

HEWLETT-PACKARD MAKES NO WARRANTY OF ANY KIND WITH REGARD TO THIS MATERIAL, INCLUDING, BUT NOT LIMITED TO, THE IMPLIED WARRANTIES OF MERCHANTABILITY AND FITNESS FOR A PARTICULAR PURPOSE. Hewlett-Packard shall not be liable for errors contained herein or for incidental or consequential damages in connection with the furnishing, performance or use of this material.

Hewlett-Packard assumes no responsibility for the use or reliability of its software on equipment that is not furnished by Hewlett-Packard.

This document contains proprietary information which is protected by copyright. All rights are reserved. No part of this document may be photocopied, reproduced or translated to another language without the prior written consent of Hewlett-Packard Company.

Copyright © 1985 by HEWLETT-PACKARD COMPANY



CERTIFICATION

Hewlett-Packard Company certifies that this product met its published specifications at the time of shipment from the factory. Hewlett-Packard further certifies that its calibration measurements are traceable to the National Institute of Standards and Technologies, to the extent allowed by the the Institute's calibration facility, and to the calibration facilities of other International Standards Organization members.

WARRANTY

This Hewlett-Packard instrument product is warranted against defects in materials and workmanship for a period of one year from date of shipment. During the warranty period, Hewlett-Packard Company will, at its option, either repair or replace products which prove to be defective.

For warranty service or repair, this product must be returned to a service facility designated by -hp-. Buyer shall prepay shipping charges to -hp- and -hp- shall pay shipping charges to return the product to Buyer. However, Buyer shall pay all shipping charges, duties, and taxes for products returned to -hp- from another country.

Duration and conditions of warranty for this instrument may be superceded when the instrument is integrated into (becomes a part of) other -hp- instrument products.

Hewlett-Packard warrants that its software and firmware designated by -hp- for use with an instrument will execute its programming instructions when properly installed on that instrument. Hewlett-Packard does not warrant that the operation of the instrument, or software, or firmware will be uninterrupted or error free.

LIMITATION OF WARRANTY

The foregoing warranty shall not apply to defects resulting from improper or inadequate maintenance by Buyer, Buyer-supplied software or interfacing, unauthorized modification or misuse, operation outside of the environmental specifications for the product, or improper site preparation or maintenance.

NO OTHER WARRANTY IS EXPRESSED OR IMPLIED. HEWLETT-PACKARD SPECIFICALLY DISCLAIMS THE IMPLIED WARRANTIES OF MERCHANTABILITY AND FITNESS FOR A PARTICULAR PURPOSE.

EXCLUSIVE REMEDIES

THE REMEDIES PROVIDED HEREIN ARE BUYER'S SOLE AND EXCLUSIVE REMEDIES. HEWLETT-PACKARD SHALL NOT BE LIABLE FOR ANY DIRECT, INDIRECT, SPECIAL, INCIDENTAL, OR CONSEQUENTIAL DAMAGES, WHETHER BASED ON CONTRACT, TORT, OR ANY OTHER LEGAL THEORY.

ASSISTANCE

Product maintenance agreements and other customer assistance agreements are available for Hewlett-Packard products.

For any assistance, contact your nearest Hewlett-Packard Sales and Service Office. Addresses are provided at the back of this manual.



SAFETY SUMMARY

The following general safety precautions must be observed during all phases of operation, service, and repair of this instrument. Failure to comply with these precautions or with specific warnings elsewhere in this manual violates safety standards of design, manufacture, and intended use of the instrument. Hewlett-Packard Company assumes no liability for the customer's failure to comply with these requirements.

GROUND THE INSTRUMENT

To minimize shock hazard, the instrument chassis and cabinet must be connected to an electrical ground.

DO NOT OPERATE IN AN EXPLOSIVE ATMOSPHERE

Do not operate the instrument in the presence of flammable gases or fumes. Operation of any electrical instrument in such an environment constitutes a definite safety hazard.

KEEP AWAY FROM LIVE CIRCUITS

Operating personnel must not remove instrument covers. Component replacement and internal adjustments must be made by qualified maintenance personnel. Under certain conditions, dangerous voltages may exist even with the instrument switched off. To avoid injuries, always disconnect input voltages and discharge circuits before touching them.

DO NOT SERVICE OR ADJUST ALONE

Do not attempt internal service or adjustment unless another person, capable of rendering first aid and resuscitation, is present.

DO NOT SUBSTITUTE PARTS OR MODIFY INSTRUMENT

Because of the danger of introducing additional hazards, do not install substitute parts or perform any unauthorized modification to the instrument. Return the instrument to a Hewlett-Packard Sales and Service Office for service and repair to ensure that safety features are maintained.

DO NOT OPERATE A DAMAGED INSTRUMENT

Whenever it is possible that the safety protection features built into this instrument have been impaired, either through physical damage, excessive moisture, or any other reason, REMOVE POWER and do not use the instrument until safe operation can be verified by service-trained personnel. If necessary, return the instrument to a Hewlett-Packard Sales and Service Office for service and repair to ensure that safety features are maintained.

Operating and Safety Symbols

Symbols Used On Products And In Manuals

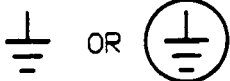
 **LINE** AC line voltage input receptacle.



Instruction manual symbol affixed to product. Cautions the user to refer to respective instruction manual procedures to avoid possible damage to the product.



Indicates dangerous voltage – terminals connected to interior voltage exceeding 1000 volts.



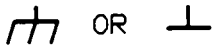
OR



Protective conductor terminal. Indicates the field wiring terminal that must be connected to earth ground before operating equipment – protects against electrical shock in case of fault.



Clean ground (low-noise). Indicates terminal that must be connected to earth ground before operating equipment – for single common connections and protection against electrical shock in case of fault.



OR



Frame or chassis ground. Indicates equipment chassis ground terminal – normally connects to equipment frame and all metal parts.



Affixed to product containing static sensitive devices – use anti-static handling procedures to prevent electrostatic discharge damage to components.

NOTE**NOTE**

Calls attention to a procedure, practice, or condition that requires special attention by the reader.

CAUTION**CAUTION**

Calls attention to a procedure, practice, or condition that could possibly cause damage to equipment or permanent loss of data.

WARNING**WARNING**

Calls attention to a procedure, practice, or condition that could possibly cause bodily injury or death.

WARNING, CAUTION, and NOTE Symbols

Some labels on the HP 3852A, HP 3853A, and plug-in accessories include an international warning symbol (triangle with subscripted number) which refers the reader to the manuals for further information. This table shows the warning symbols used for the HP 3852A/3853A and plug-in accessories. Refer to the manual set for specific information on WARNINGS, CAUTIONS, or NOTES referenced with a warning symbol.

HP 3852A WARNING, CAUTION, and NOTE Symbols

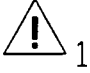
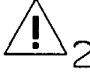


Symbol	Meaning	Location
	Shock hazard originating outside the instrument (field wiring)	<ul style="list-style-type: none"> . Analog Extender Connector on Power Supply Modules . Terminal modules on plug-in accessories . Component module covers on plug-in accessories
	Treat all channels as "one circuit" for safety purposes.	<ul style="list-style-type: none"> . Inside terminal modules on plug-in accessories . Metal cover on component modules of plug-in accessories
	Maximum number of certain plug-in accessories to be installed into an HP 3852A or HP 3853A.	<ul style="list-style-type: none"> . HP 44701A, HP 44702A/B, HP 44727A/B/C plug-in accessories
	If High-Speed FET multiplexers are used with the HP 44702A/B, ribbon cable may be connected.	<ul style="list-style-type: none"> . HP 44711A, 44712A, 44713A (referenced on HP 44702A and HP 44702B)

TABLE OF CONTENTS

Chapter 1 – Introduction

Manual Contents	.1-1
Using This Manual	.1-1
Voltmeter Descriptions	.1-3
Getting Started	.1-4

Chapter 2 – Defining Your Measurement

Introduction	.2-1
Measurements Overview	.2-1
Measurement Types	.2-1
Voltmeter Programming	.2-3
Data Transfers	.2-4
Defining Measurement Requirements	.2-5
Measurement Parameters	.2-5
Data/ Interrupt Requirements	.2-6
Selecting Voltmeter Configuration	.2-7
Voltmeter Function	.2-7
Multiplexers Used	.2-8
Triggering Method	.2-10
Programming Mode	.2-10
Configuration Examples	.2-11

Chapter 3 – Installation and Checkout

Introduction	.3-1
Chapter Contents	.3-1
Warnings, Cautions, and Notes	.3-1
Connecting User Inputs	.3-5
Multiplexer Connections	.3-5
Rear Panel Connections	.3-5
Installing the Voltmeter	.3-9
Multiplexer Measurements Installation	.3-9
Ribbon Cable Measurements Installation	.3-12
Initial Checks	.3-12
Voltmeter ID Check	.3-12
Voltmeter Self-Test	.3-12
Checking Wiring Connections	.3-15
Mainframe Firmware Revision	.3-16

Chapter 4 – System Mode Programming

Introduction	.4-1
Chapter Contents	.4-1
Program Titles	.4-1
Getting Started	.4-2
Measurements Using CONFMEAS	.4-4
CONFMEAS Command	.4-4
CONFMEAS Operation	.4-7
CONFMEAS Presets	.4-7
Examples: Measurements Using CONFMEAS	.4-9
Measurements Using CONF and MEAS	.4-11
Programming Overview	.4-11
Setting Voltmeter Operation	.4-17
Setting Voltmeter Triggering	.4-20
Setting Scan Triggering	.4-23

Measurements Not Using MEAS	.4-24
Low-Level Multiplexer Measurements	.4-25
Rear Panel Measurements	.4-27
Enabling Interrupts	.4-30
System Mode Command Summary	.4-36

Chapter 5 – Scanner Mode Programming

Introduction	.5-1
Chapter Contents	.5-1
Scanner Mode Measurements	.5-2
Getting Started	.5-4
Measurements Using CONFMEAS	.5-6
CONFMEAS Programming	.5-6
CONFMEAS Measurement Examples	.5-11
Measurements Using CONF and MEAS	.5-13
Programming Overview	.5-14
CONF and MEAS Overview	.5-16
Selecting Voltmeter Configuration	.5-22
Selecting Voltmeter Triggering	.5-26
Measurements Using CONF and Low-Level	
Commands	.5-31
Programming Overview	.5-32
Scanner Mode Overview	.5-34
Selecting Voltmeter Configurations	.5-41
Selecting Voltmeter Triggering	.5-52
Selecting Data Transfers/ Interrupts	.5-77
Measurement Examples	.5-86
Digitizing Waveforms	.5-86
High-Speed Data Transfers	.5-91
Special Applications	.5-96
Scanner Mode Command Summary	.5-107

Chapter 6 – The HP 44704A in 16 Bit Mode

Introduction	.6-1
Chapter Contents	.6-1
The 16 Bit Data Format	.6-1
Controlling Voltmeter Ranges	.6-1
Changing Ranges	.6-3
Managing Range Information	.6-3
System Mode and Range	.6-4
Scanner Mode and Range	.6-5
Entering 16 Bit Resolution Mode	.6-10

Chapter 7 – GPIO Operation

Introduction	.7-1
The GPIO Interface	.7-1
GPIO Interface Signals	.7-2
GPIO Signal Timing	.7-3
GPIO Interface Switches	.7-3
GPIO Programming	.7-4
GPIO Data Transfers	.7-5
GPIO Triggering	.7-9
GPIO Interrupts	.7-10
Programming Examples	.7-10
Example: GPIO Operations	.7-11

Example: Transfer Data @ 100 kHz7-15

Chapter 8 – Using Read/Write Registers

Introduction8-1
Register Definitions8-1
Reading the Registers8-2

Chapter A – Specifications

DC VoltageA-1
Accuracy:A-1
Temperature coefficient:A-2
Resolution:A-2
Over-ranging:A-2
Reading Rate:A-2
Accuracy:A-3
Temperature coefficient:A-4
Reading Rate:A-4

Chapter 1

Introduction

Contents

Manual Contents1-1
Using This Manual1-1
Voltmeter Descriptions1-3
Getting Started1-4

Introduction

Manual Contents

This manual shows how to configure and program the HP High-Speed Voltmeters (HP 44702A/B and HP 44704A). The manual has eight chapters:

- **Chapter 1 - Introduction** contains a manual overview, summarizes voltmeter features, and shows a suggested getting started sequence.
- **Chapter 2 - Defining Your Measurement** gives guidelines to select measurement requirements and voltmeter operating parameters for your measurement.
- **Chapter 3 - Installation and Checkout** shows how to connect user inputs and how to install and check the voltmeter.
- **Chapter 4 - System Mode Programming** shows how to use System Mode commands for multiplexer and rear panel measurements.
- **Chapter 5 - Scanner Mode Programming** shows how to use Scanner Mode commands for ribbon cable and rear panel measurements.
- **Chapter 6 - The HP 44704A in 16-Bit Mode** explains some differences in operation when using this high resolution mode.
- **Chapter 7 - GPIO Operation** shows how to use GPIO operation for measurements.
- **Chapter 8 - Using Read/Write Registers** shows how to access the voltmeter read and write registers.

Using This Manual

The HP 44704A in its 13 and 14 bit resolution modes is so similar in operation to the HP 44702A/B that Chapters 2 through 5, and 7 and 8 apply to both models. Refer to these chapters when learning to use either model. Owners of the HP 44704A who will use its 16 bit resolution mode should refer to Chapter 6 for a discussion of programming differences for this mode.

Voltmeter Measurements

The High Speed Voltmeters can directly measure DC voltage and resistance. By using an appropriate multiplexer, you can make DC voltage, DC current, resistance, strain, or temperature measurements.

Four ranges (40 mV, 320 mV, 2.56 V, and 10.24 V) plus autorange are available for voltage measurements. Three current source levels (10 A, 100 A, and 1 mA) are available for resistance measurements.

GPIO Port

Use the GPIO port to directly output data from the voltmeter memory to the controller via GPIO. With GPIO, the user must convert raw voltmeter data (PACKED format) to readable data.

Rear Panel Terminals

Use the voltage input terminals (HI, LO, CHASSIS) to make DC voltage measurements. Use the current source terminals and the voltage terminals for 4-wire ohms measurements. When these terminals are used, multiplexer inputs to the voltmeter are not required (or allowed).

External Trigger Ports

Use the EXTERNAL TRIGGER Ports (EXT0 and EXT1) to input an external trigger to the voltmeter. When programmed, EXT0 can also output a trigger signal for applications such as synchronizing operation of other HP 44702A/B voltmeters.

Release Lever

Lift and pull on the release lever to remove the voltmeter from its slots. Since the HP High Speed Voltmeter requires two slots, it cannot be installed in slots 3 and 4 of the mainframe or in slots 5 and 6 of a HP 3853A Extender.

User Signal Inputs

User signals can be input to the voltmeter on one of three ways:

- (1) Directly into the rear panel terminals (rear panel measurements).
- (2) Via multiplexers and the mainframe backplane into the backplane connectors (multiplexers measurements).
- (3) Via High-Speed FET multiplexers and a dedicated ribbon cable into the ribbon cable connector (ribbon cable measurements).

Reading Rates

Make up to 100,000 readings/second with autoranging. Proper autoranging is ensured as long as a single-channel signal does not change more than 600 volts/sec during autoranging.

For multiplexer measurements, make measurements at speeds up to 100,000 readings/second on a single channel or up to 5500 channels/second (with FET multiplexers) on channel-to-channel scans.

For ribbon cable measurements, make measurements at speeds up to 100,000 readings/second for single-channel and channel-to-channel measurements.

Operating Modes

The voltmeter has two modes of operation: System Mode and Scanner Mode. In Scanner Mode, the user has the full set of commands and capabilities to use the voltmeter. In System Mode, the user has a simplified version of the commands available.

Use System Mode operation for rear panel or multiplexer measurements. Use Scanner Mode operation for panel, multiplexers, or ribbon cable measurements. For rear panel or multiplexer measurements, the voltmeter is controlled by the mainframe. For ribbon cable measurements, the voltmeter is capable of independent operation.

On-Board Buffer

The voltmeter has an on-board storage buffer. All readings are first stored in the buffer. Readings stored in the buffer can be sent to mainframe memory, to the HP-IB output buffer, or to the GPIO port.

Differential Input

The voltmeter uses a balanced input, differential measurement technique. With this method, equal impedances between high to chassis and low to chassis provide good common mode noise rejection.

The voltmeter does not have overranging. Maximum signal (high to low) plus common mode voltage (low to chassis) to prevent and overload indication (IE + 38) must be 10.24 V.

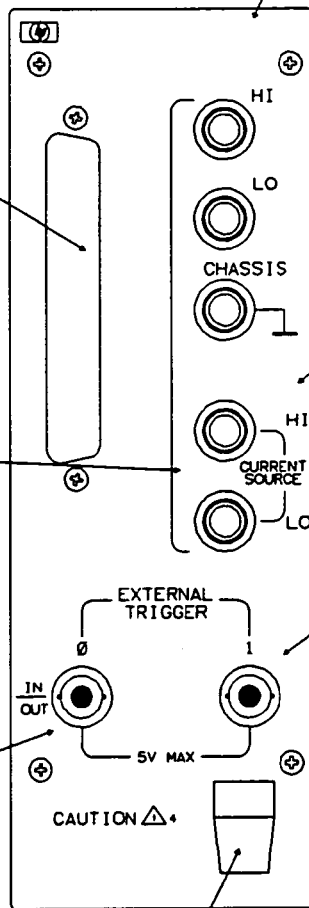


Figure 1-1. Voltmeter Features

Voltmeter Descriptions

The HP 44702A, HP 44702B, and HP 44704A are high-speed voltmeters which can make DC voltage, resistance, strain, and temperature measurements at speeds up to 100,000 readings/second. In addition, with an external shunt resistor, the voltmeters can be used to make current measurements.

The HP 44702A/B voltmeter provides 13 bit resolution (12 bits plus sign bit). The HP 44704A voltmeter provides a choice of three resolutions:

- **13 bit resolution** provides complete performance and programming compatibility with the HP 44702A/B
- **14 bit resolution** provides twice the resolution of the HP 44702A/B. Except for its 14 bit packed data format, the HP 44704A in 14 bit mode operates and programs like the HP 44702A/B.
- **16 bit resolution** provides eight times the resolution of the HP 44702A/B. Except for its 16 bit packed data format, and manually programmed range setting, the HP 44704A in the 16 bit mode programs and operates like the HP 44702A/B.

The HP 44704A also adds the capability to programmatically (using the FILTER command) switch in a low-pass filter to help measure noisy signals.

Both voltmeters use the successive approximation technique for analog-to-digital conversion. Figure 1-1 summarizes voltmeter features.

NOTE

Except for the amount of memory, the HP 44702A and 44702B are identical. The HP 44702A can store up to 8,192 readings (8k). The HP 44702B (has the 44703C memory card added) can store 65,536 readings (64k). The HP 44702A can be upgraded by ordering and installing the HP 44703C Extended Memory Board. HP 44702B versions shipped from the factory have the HP 44703C board installed.

The HP 44704A can store 65,536 (64k) readings.

NOTE on Firmware Revision

Your HP 3852A mainframe must have firmware revision 4.2 or greater to take advantage of the HP 44704A's 14 and 16 bit resolution modes. With earlier revisions, the HP 44704A emulates an HP 44702B.

Getting Started

There are three main steps to configure and program the voltmeter for your application:

- Define your measurement
- Configure the voltmeter
- Program the voltmeter

Define Your Measurement

The first step is to define your measurement application and select voltmeter operation for the measurement. Refer to Chapter 2 - Defining Your Measurement for guidelines.

Configure the Voltmeter

Next, hardware configure the voltmeter for the measurement. Refer to Chapter 3 - Installation and Checkout to connect user inputs and trigger sources (as required) and to install and initially check the voltmeter.

Program the Voltmeter

The voltmeter has two programming modes: System Mode and Scanner Mode. Typically, System Mode is used when high-speed scanning is not required. With System Mode, a subset of the voltmeter commands are available and multiplexer or rear panel measurements can be made. Refer to Chapter 4 - System Mode Programming to program the voltmeter for System Mode measurements.

For high-speed measurements, you will need to use Scanner Mode operation. With Scanner Mode, data can be transferred to the mainframe memory at rates up to 90,000 readings per second, to an HP Series 200/300 controller via HP-IB at rates up to 35,000 readings per second, or to an HP Series 200/300 controller via GPIO at rates up to 100,000 readings per second.

Therefore, for measurement speeds up to 90,000 readings per second, refer to Chapter 5 - Scanner Mode Programming. For measurement speeds up to 100,000 readings per second, first refer to Chapter 5 for information on Scanner Mode programming and then to Chapter 7 - GPIO Operation for information on GPIO programming.

If you intend to use the HP 44704A in its 16 bit resolution mode (RESOL 16 command), refer to Chapter 6 - The HP 44704A in 16 Bit Mode for programming differences for this mode.

If you need to access the voltmeter read/write registers, refer to Chapter 8 - Using Read/Write Registers.

Chapter 2

Defining Your Measurement

www.valuetronics.com

Contents

Introduction2-1
Measurements Overview2-1
Measurement Types2-1
Voltmeter Programming2-3
Data Transfers2-4
Defining Measurement Requirements2-5
Measurement Parameters2-5
Data/ Interrupt Requirements2-6
Selecting Voltmeter Configuration2-7
Voltmeter Function2-7
Multiplexers Used2-8
Triggering Method2-10
Programming Mode2-10
Configuration Examples2-11

Defining Your Measurement

Introduction

This chapter gives guidelines to define your measurement and to select the proper voltmeter configuration for the measurement. Chapter sections are:

- **Measurements Overview** summarizes the three main parameters of voltmeter measurements: measurement types, voltmeter programming, and data transfers.
- **Defining Measurement Requirements** gives guidelines to define measurement parameters and data/interrupt requirements.
- **Selecting Voltmeter Configuration** gives guidelines to select the voltmeter measurement function, the multiplexer(s) used, the voltmeter triggering method, and programming mode for your measurement.
- **Configuration Examples** shows example voltmeter configurations for typical measurements: one for System Mode and one for Scanner Mode.

Measurements Overview

Figure 2- 1 shows three parameters of voltmeter measurements: measurement types, voltmeter programming, and data transfer.

Measurement Types There are three main types of voltmeter measurements: multiplexer measurements, ribbon cable measurements, and rear panel measurements.

Multiplexer Measurements

DC voltage, DC current (with multiplexer shunt), resistance (2-wire ohms or 4-wire ohms), strain, or temperature (RTD, thermistor, or thermocouple) inputs can be sent to the voltmeter via HP 447XXX multiplexers and the mainframe backplane. These are called multiplexer (backplane) measurements.

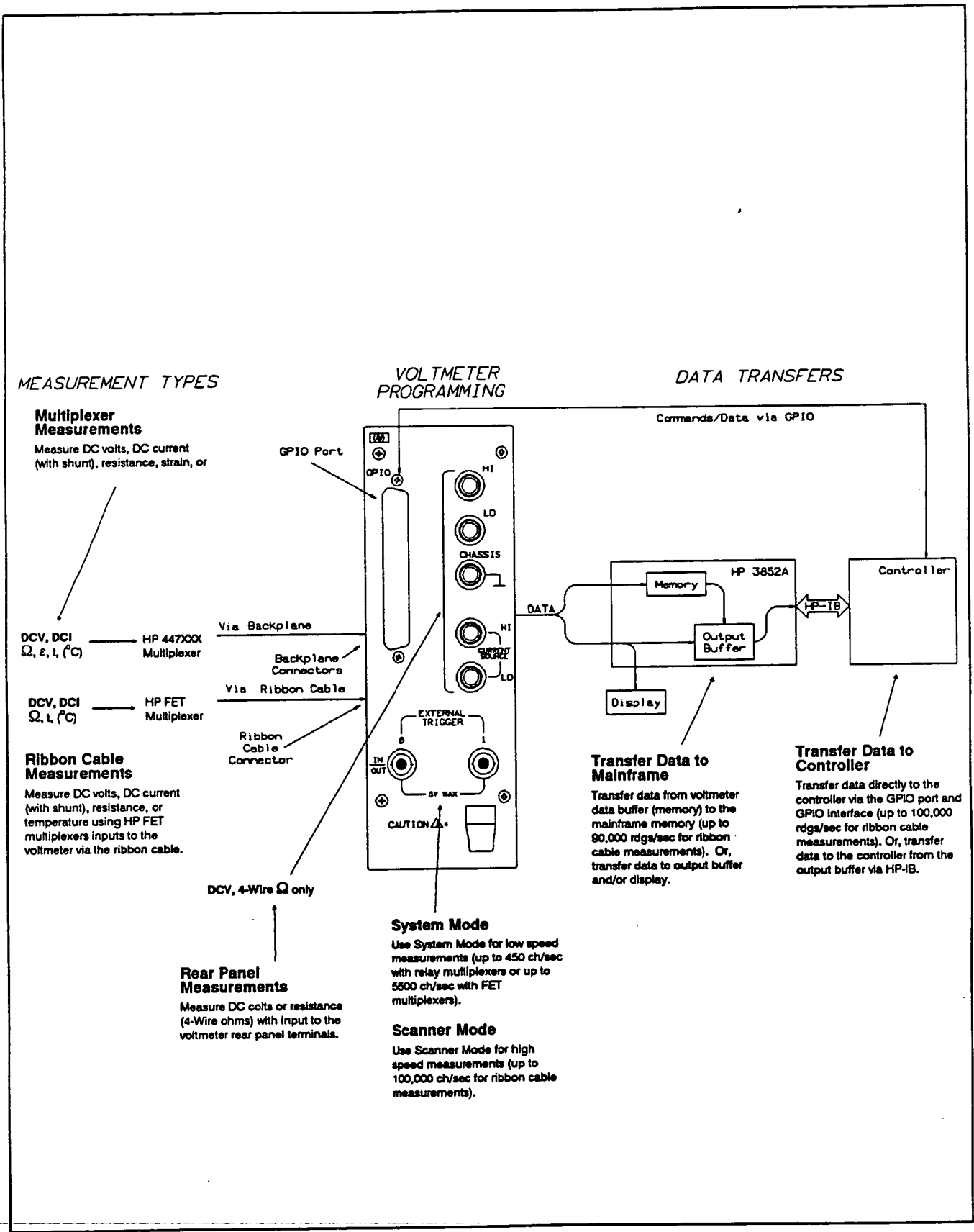


Figure 2-1. Voltmeter Measurements Overview

Since scanning rates for multiplexer measurements are limited to a maximum of about 5500 channels/second, this mode is typically used when high switching rates are not required. Note, however, that you can still make measurements at up to 100,000 readings/sec on a single channel.

Ribbon Cable Measurements

DC volts, DC current (with multiplexer shunt), resistance (4-wire ohms), and temperature inputs can also be sent to the voltmeter via an HP 44711A/B, 44712A, or 44713A/B High-Speed FET Multiplexer over a dedicated ribbon cable connected between the multiplexer and the voltmeter. These are called ribbon cable measurements.

With ribbon cable measurements, data rates up to 100,000 readings/sec in single-channel or in channel-to-channel operation are possible. Thus, ribbon cable measurements are typically used for high-speed scanning and sampling applications.

Rear Panel Measurements

DC volts and 4-wire ohms (only) inputs can be sent directly to the rear panel terminals of the voltmeter. The obvious advantage of rear panel measurements is that a multiplexer is not required. Rear panel measurements can also be used for high-speed measurements up to 100,000 readings/sec.

Voltmeter Programming

The voltmeter has two modes of operation (System Mode and Scanner Mode) as set with the SCANMODE command. SCANMODE OFF sets System Mode while SCANMODE ON sets Scanner Mode. With System Mode operation, only multiplexer and rear panel measurements can be made. With Scanner Mode operation, multiplexer, ribbon cable, and rear panel measurements can be made.

System Mode

System Mode is typically used when high-speed scanning is not required or when the user does not require the full set of commands for the measurement application. System Mode (SCANMODE OFF) is set at power-on, after a reset (RST or RST *slot*), or by sending SCANMODE or SCANMODE OFF.

In System Mode, switching speed is limited to about 450 channels/sec (with relay multiplexers) or to about 5500 channels/sec (with FET multiplexers). The System Mode command set is a simplified version of the Scanner Mode command set and is very similar to the HP 44701A Integrating Voltmeter command set.

Scanner Mode

Scanner Mode operation is set with SCANMODE ON. With Scanner Mode, you can make backplane, ribbon cable, or rear panel measurements and you can use the full set of voltmeter commands. Switching rates up to 100,000 channels/sec are available for ribbon cable measurements.

Data Transfers

For any voltmeter measurement, the data is first stored in the on-board voltmeter buffer in PACKED (2 bytes/reading) format. Data stored in the voltmeter can then be transferred to the mainframe memory, to the HP-IB output buffer and/or display, or directly to the controller via the 16-bit parallel (GPIO) interface. Refer to Chapter 6 in the HP 3852A Mainframe Configuration and Programming Manual for details on data storage and transfers.

NOTE

Users of the HP 44704A's 16 bit resolution mode should refer to Chapter 6 for differences in converting 16 bit data and maintaining voltmeter range information.

Transfer Data to Mainframe Memory

Data stored in the voltmeter buffer can be transferred to mainframe memory in unconverted (PACKED) format and stored in a PACKED array or can be converted into RL64 or IN16 and stored in a REAL or INTEGER array (or variable) respectively. Data stored in mainframe memory can then be transferred to the HP-IB output buffer in unconverted or converted format.

Transfer Data Directly to Output Buffer

Data can be transferred directly from the voltmeter buffer to the HP-IB output buffer in unconverted (PACKED) format or in any of six converted formats (IASC, LASC, RASC, DASC, RL64, or IN16). IASC, LASC, RASC, or DASC data can also be displayed.

Transfer Data via GPIO

Data can also be transferred directly from the voltmeter buffer to the controller via the GPIO port and GPIO interface. Data is transferred ONLY in unconverted (PACKED) format and must be converted by the user to a readable format.

Defining Measurement Requirements

Guidelines to help you characterize your measurement follow. When defining your measurement, refer to the Specifications appendix in the HP 3852A Mainframe Configuration and Programming Manual to ensure that the HP 3852A can meet the measurement requirements.

Measurement Parameters

Guidelines follow for these measurement parameters:

- Type of measurement
- Scanning speed
- Number of measurements

Type of Measurement

The first step is to select the type of measurement (DC voltage, DC current, resistance, strain, or temperature) to be made. The voltmeter can measure DC voltages up to ± 10.24 V; resistances up to 1 M Ω with 2-wire or 4-wire techniques; strain from strain gages; or temperatures (in $^{\circ}$ C) from thermocouples, thermistors, or RTDs.

Scanning Speed

Next, determine the scanning speed required for your measurement. The speed selected will influence the multiplexers required. For example, if the speed requirement is less than 450 channels/sec, you can use any of the HP 447XXX multiplexers. However, for high-speed scanning (>5500 channels/sec) you will need to use an HP 44711A/B, 44712A, or 44713A/B multiplexer.

Number of Measurements

Next, determine the number of measurements to be made by defining the number of sources to be measured and the number of measurements per channel. This will determine the number of multiplexers and voltmeters required for your measurement. For example, to measure more than 20 inputs you'll need two HP 44705A 20-channel multiplexers or one HP 44706A 60-channel multiplexer, etc.

Data/ Interrupt Requirements

When you have defined your measurement parameters, determine how to handle the data from the measurement. Three main considerations are:

- Data storage mode
- Data transfer mode
- Interrupt requirements

Data Storage Mode

As shown in Figure 2- 1 , data stored in the voltmeter buffer can be transferred to the mainframe or to the GPIO port. However, data is transferred only when the data is available. The “data available” condition is defined by the data storage mode set with the RDGSMODE command.

In general, data stored in the buffer will not be overwritten when the buffer is full (8192 readings for the HP 44702A or 65536 readings for the HP 44702B and HP 44704A). However, you can transfer data out of the buffer before the buffer fills or you can allow new data to overwrite old data. The four data storage modes follow. Select the mode which best fits your requirements.

Data Available Conditions:

- when any reading is in the buffer.
- when the buffer has room for only 4096 more readings.
- when measurements are complete (data is not overwritten).
- when measurements are complete (data is overwritten).

Data Transfer Mode

Next, select the method to transfer data stored in the voltmeter buffer to the mainframe or to the controller. Measurement data is stored in the voltmeter data buffer in PACKED format (2 bytes/reading). As noted, the HP 44702A can store up to 8192 (8k) readings while the HP 44702B and HP 44704A can store up to 65536 (64k) readings.

PACKED data can be transferred to the mainframe memory at rates up to 90,000 readings/sec or to the controller (via GPIO) at rates up to 100,000 readings/sec. If more readings are required than can be stored in the voltmeter buffer, readings must be transferred as they are taken to avoid buffer overflow.

Interrupt Requirements

Determine if interrupts are required for your measurement. When enabled, interrupts can be handled in the mainframe or in the controller. Note, however, that interrupts are generated only on the “data available” condition specified for the data storage mode.

Selecting Voltmeter Configuration

After you have defined your measurement requirements, select voltmeter configuration for the measurement. Guidelines to select four voltmeter configuration areas follow.

- Voltmeter function
- Multiplexers used
- Triggering method
- Programming mode

Voltmeter Function

As noted, the voltmeter can make DC voltage, DC current (with multiplexer shunt), resistance (2-wire and 4-wire ohms), strain, and temperature (RTD, thermistor, or thermocouple) measurements. Refer to the Specifications Appendix of the HP 3852A Mainframe Configuration and Programming Manual for detailed specifications.

DC Voltage/Current Measurements

The voltmeter has four voltage ranges (40 mV, 320 mV, 2.56V, or 10.24V). The effective range of DC voltage measurements is from ± 10.24 V peak down to about ± 10 μ V with the HP 44702A/B or about ± 1.3 μ V with the HP 44704A in 16 bit mode.

Resistance Measurements

The voltmeter can make 2-wire or 4-wire ohms measurements using HP 447XXX multiplexers or make 4-wire ohms measurements using the rear panel terminals. Three resistance ranges are available: up to 10 k Ω (1 mA current source); up to 100 k Ω (100 μ A source); or up to 1 M Ω (10 μ A source).

Strain Measurements

The voltmeter and the HP 44717A, 44718A, 44719A, or 44720A strain gage multiplexers can be used to make strain measurements, including $\frac{1}{4}$ bridge, $\frac{1}{2}$ bridge, and full-bridge measurements of strain gages or rosettes. For strain measurements, the data is returned in equivalent strain (or microstrain) value. For rosette measurements, the user must convert the data to an equivalent strain value.

Temperature Measurements

The voltmeter can make temperature measurements of thermocouples, thermistors, or resistance temperature detectors (RTD). The data returned is the equivalent temperature in °C. In addition, the reference temperature can be independently measured for thermocouple measurements.

The HP 3852A supports Type B, E, J, K, N14 [N (AWG 14)], N28 [N (AWG 28)], R, S, and T thermocouples, Type 2252, 5K, and 10K thermistors, and Type 85 ($\alpha = .00385 \Omega/\Omega/^{\circ}\text{C}$) or Type 92 ($\alpha = 0.003916 \Omega/\Omega/^{\circ}\text{C}$) RTDs. Other types of thermocouples can be measured with user-supplied linearization programs.

NOTE

Refer to Hewlett-Packard Application Note 290, "Practical Temperature Measurements", (part number 5952-8801) for guidelines on using thermocouples, thermistors, and RTDs for temperature measurements.

Multiplexers Used

As shown in Figure 2-1, there are three types of voltmeter measurements: multiplexer measurements, ribbon cable measurements, and rear panel measurements. The type of measurement selected determines the multiplexer(s) to be used.

Up to six multiplexers (up to eight in an HP 3853A Extender) can be used with a voltmeter. Table 2-1 summarizes the multiplexers available for use with the voltmeter and typical (primary) measurements with each.

Table 2-1. Multiplexer Characteristics

Multiplexer	Ch	Range	Speed*	Primary Measurement
Relay Multiplexers:				
HP 44705A	20	±170V	450	DCV, DCI, 2W/4W Ω, RTDs, thermistors
HP 44705H	20	±354V	250	DCV, DCI, 2W/4W Ω, RTDs, thermistors
HP 44706A	60	±42V	450	DCV, DCI, 2W ohms**
HP 44708A	20	±170V	450	DCV, DCI, 2W Ω, thermocouples**
HP 44708H	20	±354V	250	DCV, DCI, 2W Ω, thermocouples**
HP 44717H	10	±42V	450	120 Ω strain gage, rosettes
HP 44718A	10	±42V	450	350 Ω strain gage, rosettes
FET Multiplexers:				
HP 44709A	20	±10.24V	5500	DCV, DCI, 2W/4W Ω, RTDs, thermistors
HP 44710A	20	±10.24V	5500	DCV, DCI, 2W Ω, thermocouples
HP 44719A	10	±10.24V	5500	120 Ω strain gage, rosettes
HP 44720A	10	±10.24V	5500	350 Ω strain gage, rosettes
High Speed FET Multiplexers:				
HP 44711A/B	24	±10.24V	100,000	DCV, DCI, 4W Ω, RTDs, thermistors
HP 44712A	48	±10.24V	100,000	DCV, DCI
HP 44713A/B	24	±10.24V	100,000	DCV, DCI, thermocouples
* = Maximum number of samples/second channel-to-channel with mainframe ROM revision 2.0 or higher. 100,000 samples/second with High-speed FET Multiplexers ONLY for ribbon cable measurements.				
** = Will also do 2-Wire thermistor measurements reasonably well.				

Multiplexer Measurements

With multiplexer measurements, you can measure DC volts, DC current, resistances, strain, or temperature by using the appropriate HP 447XXX multiplexer (including the HP 44711A/B, HP 44712A, or HP 44713A/B). Multiplexer channels can be scanned at rates up to 450 channels/sec with relay multiplexers or up to 5500 channels/sec with FET multiplexers (for mainframe firmware revision 2.0 or greater).

Ribbon Cable Measurements

With ribbon cable measurements, user sources are input to HP 44711A/B, HP 44712A, or HP 44713A/B multiplexers and sent to the voltmeter via a dedicated ribbon cable. In this mode, the voltmeter operates independently of the mainframe. For ribbon cable measurements, ONLY HP 44711A/B, HP 44712A, or HP 44713A/B multiplexers can be used, the ribbon cable must be connected, Scanner Mode (SCANMODE ON) must be set, and TERM RIBBON must be set.

Ribbon cable measurements are typically used when fast scanning rates are required. Use ribbon cable operation to transfer data to the mainframe memory at rates up to 90,000 readings/sec or to the controller via GPIO at rates up to 100,000 readings/sec.

Rear Panel Measurements

With rear panel measurements, user sources are input directly to the voltmeter rear panel terminals (HI, LO, and CHASSIS) for voltage measurements on a single channel. You can also use the CURRENT SOURCE (HI and LO) terminals with the voltage terminals for 4-wire ohms measurements. Rear panel measurements are useful for DC voltage or 4-wire ohms measurements on a single input and can be used for high-speed measurements of a single channel.

Triggering Method

When the voltmeter measurement function and multiplexer(s) have been selected, select the type of voltmeter triggering required. The voltmeter can be triggered from the mainframe, internally from the voltmeter, or from an external source via the voltmeter EXT0, EXT1, and GPIO ports.

Mainframe Backplane Triggering

The voltmeter can be software triggered via the mainframe backplane by using the TRIG and/or TRG commands. Refer to Chapter 7 in the HP 3852A Mainframe Configuration and Programming Manual for a discussion of mainframe triggering.

Voltmeter Internal Triggering

The voltmeter can also be internally triggered by a pacer trigger or when the input crosses a specified threshold in the proper direction.

Voltmeter Port Triggering

The voltmeter can also be triggered by a suitable input from an external source into the EXT0 or EXT 1 port or into the GPIO port.

Programming Mode

As noted, the voltmeter has two programming modes: System Mode (SCANMODE OFF) and Scanner Mode (SCANMODE ON). The programming mode to use depends on the type of measurement required. Table 2-2 summarizes guidelines to select System or Scanner Mode operation as a function of measurement speed, type of measurement, input source, and general application.

When you have selected the programming mode required, refer to Chapter 3 - Installation and Checkout to install and initially check the voltmeter. Then, refer to Chapter 4 - System Mode Programming to program the voltmeter for System Mode operation or to Chapter 5 - Scanner Mode Programming to program the voltmeter for Scanner Mode operation.

Table 2-2. System Mode vs. Scanner Mode

	System Mode	Scanner Mode
Max Speed	450 ch/sec (relay mux) 5500 ch/sec (FET mux)	100,000 rdgs/sec (mainframe) 100,000 rdgs/sec (GPIO)
Measurement Type	DCV, DCI ohms, strain, temp (all muxs) DCV, 4W ohms (rear panel)	DCV, DCI, ohms, strain, temp (all muxs) DCV, 4W ohms (rear panel) DCV, DCI, ohms, temp (ribbon cable, HP 44711A/B, 44712A, 44713A/B muxs)
Input Source	Backplane (all muxs) Rear panel	Backplane (all muxs) Ribbon cable (44711A/B, 12A, 13A/B) Rear panel
Commands/Operation	Subset - requires mainframe for operation	Full set - independent operation with ribbon cable
Typical Applications	Low-speed measurements General scanning HP-IB operations	High-speed measurements Digitize waveforms HP-IB or GPIO operation

Configuration Examples

This section shows two example ways to define your measurement and select voltmeter configuration for the measurement. The first example shows typical selections for a System Mode measurement. The second example shows typical selections for a Scanner Mode measurement.

Example: System Mode Voltage Measurements

For this example, the application is DC voltage measurement of 20 inputs at a switching speed of 200 readings/second. Each input is to be measured 10 times so 200 readings are required. Table 2-3 show typical selections for this measurement.

Table 2-3. System Mode Measurements Selections

Measurement Requirements	
Measurement Characteristics	
Type	DC voltages (5V input)
Speed	200 readings/sec
Accuracy	0.10%
Number	200 readings
Data/Interrupt Requirements	
Storage Mode	Data available when reading stored
Transfer Mode	To controller via HP-IB
Interrupts	Not required
Voltmeter Configuration	
Voltmeter Function	DC volts, autorange
Multiplexer Used	HP 44705A 20-Channel Relay Multiplexer
Triggering Method	Voltmeter internal triggering
Programming Mode	System Mode

For this measurement, the voltmeter function selected is DC voltage measurements with autorange mode and internal voltmeter triggering. An HP 44705A 20-Channel Relay Multiplexer will be used since it has the required number of channels and accuracy (see Table 2-1).

The voltmeter will be programmed to make the 200 measurements with System Mode operation, since the speed requirements are <450 readings/second. Data destination will be the output buffer, data storage will be set so that readings are available when any reading is stored in the voltmeter buffer, and interrupts will be disabled.

With these selections, we can now go to Chapter 3 - Installation and Checkout to configure the voltmeter and then to Chapter 4 - System Mode Programming to program the voltmeter.

Example: Scanner Mode Measurements

For this example, the application is DC voltage measurement of 20 inputs at a speed of 30,000 readings/second. Each input is to be measured 100 times so 2000 readings are required. Table 2-4 shows typical selections.

Table 2-4. Scanner Mode Measurements Selections

Measurement Requirements	
Measurement Characteristics	
Type	DC voltages (5V input)
Speed	30,000 readings/sec
Accuracy	0.07%
Number	2000 readings
Data/Interrupt Requirements	
Storage Mode	Data available when reading stored
Transfer Mode	To HP-IB output buffer (via mainframe memory)
Interrupts	When meas completes (no overwrite) - handle in controller
Voltmeter Configuration	
Voltmeter Function	DC voltage, autorange
Multiplexer Used	HP 44711A/B High-speed FET Multiplexer
Triggering Method	Voltmeter internal triggering
Programming Mode	Scanner Mode (ribbon cable)

For this measurement, the voltmeter function is DC voltage with autorange and internal voltmeter triggering is used. An HP 44711A/B 24-Channel High-Speed FET Multiplexer is used since it has the required number of channels and accuracy (see Table 2- 1). The input to the voltmeter will be via the dedicated ribbon cable from the multiplexer to the voltmeter.

The voltmeter will be programmed to make the 2000 measurements with Scanner Mode (ribbon cable) operation, since the speed requirements are >450 readings/second. Data destination will be the HP-IB output buffer via the mainframe memory. Data storage-mode will be set so that readings are available when the measurements are complete. Interrupts will be enabled

(interrupt when measurement is complete) and will be handled by the controller.

With these selections, we can go to Chapter 3 - Configuring the Voltmeter to configure the voltmeter and then to Chapter 5 - Scanner Mode Programming to program the voltmeter.

Chapter 3

Installation and Checkout

Contents

Introduction	3-1
Chapter Contents	3-1
Warnings, Cautions, and Notes	3-1
Voltmeter Input Protection	3-4
Connecting User Inputs	3-5
Multiplexer Connections	3-5
Rear Panel Connections	3-5
Installing the Voltmeter	3-9
Multiplexer Measurements Installation	3-9
Ribbon Cable Measurements Installation	3-12
Initial Checks	3-12
Voltmeter ID Check	3-12
Voltmeter Self-Test	3-12
Checking Wiring Connections	3-15
Mainframe Firmware Revision	3-16

Installation and Checkout

Introduction

This chapter shows recommended ways to connect user inputs to the voltmeter and shows how to install and initially check the voltmeter.

Chapter Contents

This chapter has four sections:

- **Introduction** summarizes chapter contents and lists WARNINGS, CAUTIONS, and NOTES which apply to the voltmeter.
- **Connecting User Inputs** shows recommended connections to multiplexers used with the voltmeter and connections to the voltmeter rear panel terminals.
- **Installing the Voltmeter** shows how to install the voltmeter and associated multiplexers for multiplexer and ribbon cable measurements.
- **Initial Checks** shows how to check the voltmeter ID, how to make the voltmeter self-test, how to check wiring connections, and how to check the mainframe firmware revision.

Warnings, Cautions, and Notes

This section summarizes WARNINGS, CAUTIONS, and NOTES which apply to the HP 44702A/B, HP 44704A, and associated multiplexers. You should review the WARNINGS and CAUTIONS before handling or configuring any accessory.

WARNING

SHOCK HAZARD. Only qualified, service-trained personnel who are aware of the hazards involved should install, remove, or configure any accessory. Before touching any installed accessory, turn off all power to the mainframe, extenders, and to all external devices connected to the mainframe, extenders, or accessories.

WARNING

POSSIBLE OPERATOR INJURY. For safety, consider all accessory channels to be at the highest potential applied to any channel. Under most conditions of failure, the relays on the relay multiplexers will remain in the position programmed before the failure.

However, for some equipment failures, the relays may not remain in their programmed state. If the relays settle in the closed state, the relay contacts may weld together and the highest voltage present on any one channel may be present on all channels. This condition may cause operator injury if the terminals are touched, or further equipment damage may result.

WARNING

MAXIMUM VOLTAGE LIMITATIONS. The HP 3852A and the HP 3853A internal analog buses interconnect the multiplexer and voltmeter accessories to form one circuit. To protect against possible personal injury due to equipment failure or programming error, limitations are placed on the potentials that can appear between any two points in the circuit (or between the circuit and chassis).

These limitations are listed for the HP 3852A, HP 3853A, and all plug-in accessories. For any given set of accessories installed in the mainframe or extender, the maximum potential between any two points is determined by the accessory with the LOWEST peak voltage limitations, as follows. (If the analog extender cable is NOT connected between the mainframe and the extenders, each instrument is considered as a separate circuit.)

Instrument/Accessory	Peak Voltage
HP 3852A Mainframe	354 V
HP 3853A	354 V
HP 44701A Integrating Voltmeter	354 V
HP 44702A/B or HP 44704A High-Speed Voltmeter	42 V
HP 44705A, 08A, 17A, 18A 20-Channel Relay Multiplexers	170 V
HP 44705H, 08H 20-Channel High-Voltage Relay Multiplexers	354 V
HP 44706A 60-Channel Relay Multiplexer	42 V
HP 44709A, 10A, 11A/B, 12A, 13A/B FET Multiplexers	42 V

The HP 44702A/B and HP 44704A voltmeter analog input is protected to ± 12 volts peak between any of the input terminals (HI, LO, CHASSIS). When the relay to the backplane is open (TERM EXT set), the input is protected to ± 42 volts peak. Do not exceed this voltage or the HP 44702A/B or HP 44704A will be damaged.

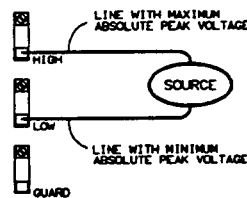
Maximum compliance voltage for the HP 44702A/B or HP 44704A voltmeter CURRENT SOURCE terminals (HI, LO) is ± 10.24 volts. Do NOT exceed this voltage or the HP 44702A/B or HP 44704A will be damaged.

CAUTION

POSSIBLE EQUIPMENT DAMAGE. When making high-voltage measurements with the HP 44705A or HP 44705H, the HP 3852A analog backplane becomes charged to the voltage on the last channel connected to it. Thus, the next channel that closes may have to absorb all of the energy stored on the backplane.

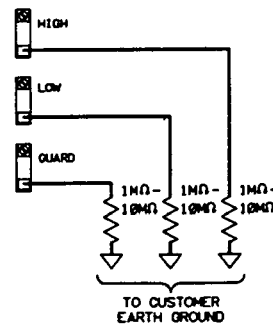
If the backplane is not discharged after making a high-voltage measurement, the voltage present on the backplane must be added to the voltage being switched on the next channel to determine the total rally contact voltage. See figure 3-1 for guidelines to maximize relay life and prevent damage to sensitive transducers by high backplane discharge voltages.

When measuring high voltages, connect the line which has the highest maximum (1) absolute peak voltage of the source to the HIGH terminal on the terminal module. Connect the line which has the lowest absolute peak voltage on the source to the LOW terminal on the terminal module. Connect the guard line ONLY if high common mode noise rejection is necessary, otherwise, do not connect the guard line.



OR

Discharge the HP 3852A analog backplane to earth ground through 1 M-10 M resistors connected to HIGH, LOW, and GUARD on an unused channel.



[1] = If the backplane is not discharged, high common mode voltage may appear on the backplane and cause the HP High Speed Voltmeter to generate an overload reading even though the signal input is within the voltmeter range.

Figure 3-1. Discharging the HP 3852A Backplane

Voltmeter Input Protection The HP 44702A/B and the HP 44704A have input protection relays (backplane only on the HP 44702A/B). If excessive input voltage appears on the protected inputs, the protection relays will open. On the HP 44702A/B, only the incorrect reading values will indicate that the protection relays are open. On the HP 44704A, the voltmeter will return overload readings if the protection relays are open. The HP 44704A has protection relays for the backplane, high-speed multiplexer inputs (ribbon cable), and rear panel terminals. To reset the protection relays, execute a CONFMEAS, CONF, MEAS, or TERM command. For either voltmeter model, DO NOT routinely rely on the input protection system. Damage to the voltmeter would probably result.

NOTE

SHIELDED CABLE REQUIRED. *Shielded twisted-pair cable is required for connections to the multiplexer terminal module for measurements with the HP 44702A/B and HP 44704A voltmeter.*

Since the HP High-Speed voltmeters use a high-speed successive approximation technique for measurements (rather than an integrating technique), they will not reject power-line noise pickup through input cables unless the noise is common to both the HI and LO inputs.

Therefore, regardless of whether user inputs are to the voltmeter rear panel terminals or to multiplexers, it is ESSENTIAL to connect the inputs with shielded, twisted-pair cables to reduce noise and keep measurement error to a minimum.

You can order the appropriate cable from your nearest Hewlett-Packard Sales and Support Office. Order HP part number 03498-61602 which is a 2 meter cable with crimped and heat-shrunk wires attached to the braided shield at both ends.

NOTE

HP-IB ADDRESS. *The example programs in this manual use "709" as the HP-IB address for the HP 3852A. Specific slot and channel numbers are also used. Program syntax and data return formats apply to the HP Series 200/300 controllers. Modify slot and channel numbers and program syntax as required.*

Connecting User Inputs

This section shows recommended ways to connect user inputs to multiplexer terminal modules or to the voltmeter rear panel terminals.

Multiplexer Connections

Always use shielded, twisted-pair cable when connecting user inputs to multiplexers, especially in a high common mode noise environment. Since the HP 44702A/B and HP 44704A use a differential input, chassis referenced measurement technique, high common mode noise can cause the voltmeter to indicate an overload condition even when the transducer outputs a signal which is within the voltmeter range. Maximum voltage on HI or LO is $\pm 10.24\text{V}$ peak (including common mode voltage).

Figure 3-2 shows typical voltage, 2-wire Ω , and 4-wire Ω connections to an HP 44705A 20-Channel Relay Multiplexer. Figure 3-3 shows typical connections to an HP 44711A/B 24-Channel High-Speed FET Multiplexer for these measurements. Since connections may vary with the individual multiplexer, refer to the appropriate multiplexer configuration and programming manual for details.

NOTE

If the ribbon cable from an HP 44711A/B, HP 44712A, or HP 44713A/B multiplexer is connected to the voltmeter, ONLY ribbon cable measurements with Scanner Mode (SCANMODE ON) and TERM RIBBON can be made. If the ribbon cable is not connected, the HP 44711A/B, HP 44712A, or HP 44713A/B can be used for backplane measurements, but ribbon cable measurements cannot be made.

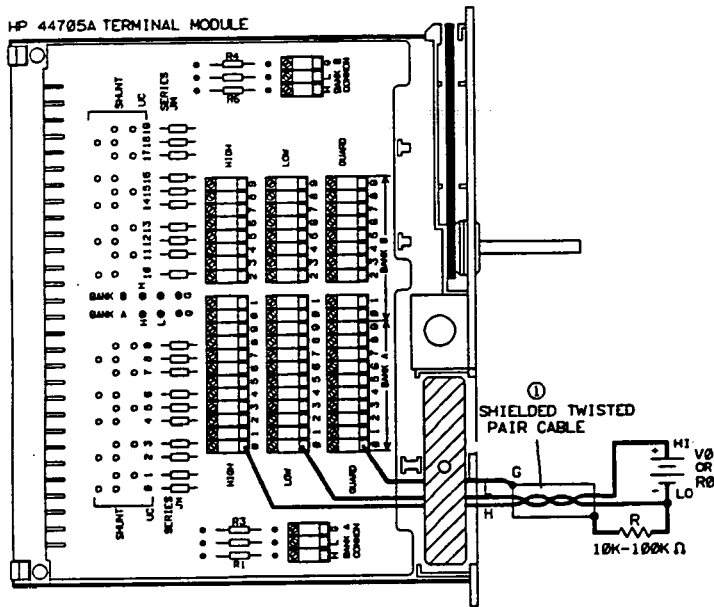
Rear Panel Connections

Figure 3-4 shows typical connections to the rear panel terminals for voltage and 4-wire ohms measurements (the only measurements which can be made using the rear panel terminals).

When connecting user inputs to the voltmeter rear panel terminals (HI, LO, and CHASSIS for voltage or HI, LO, CHASSIS and CURRENT SOURCE HI and LO for resistance measurements), use shielded, twisted-pair cables and keep the exposed part of the cable as short as possible.

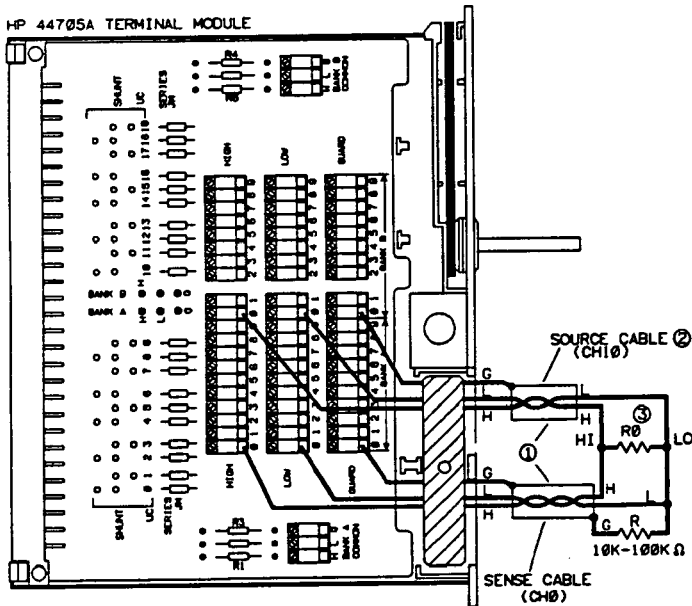
DC VOLTAGE OR 2-WIRE Ω CONNECTIONS

HP 44705A TERMINAL MODULE



4-WIRE Ω MEASUREMENTS

HP 44705A TERMINAL MODULE



Notes

1 = Shielded cable and external resistor R are required for measurements with the HP High-Speed Voltmeter.

2 = Do NOT connect Source channel shield lead to R0 LO as this will reduce the effective compliance voltage.

3 = R0 can be a resistor, and RTD, or a thermistor. The HP 3852A supports Type 85 and 92 2252, 5K, and 10K thermistors.

Figure 3-2. HP 44705A Multiplexer Connections

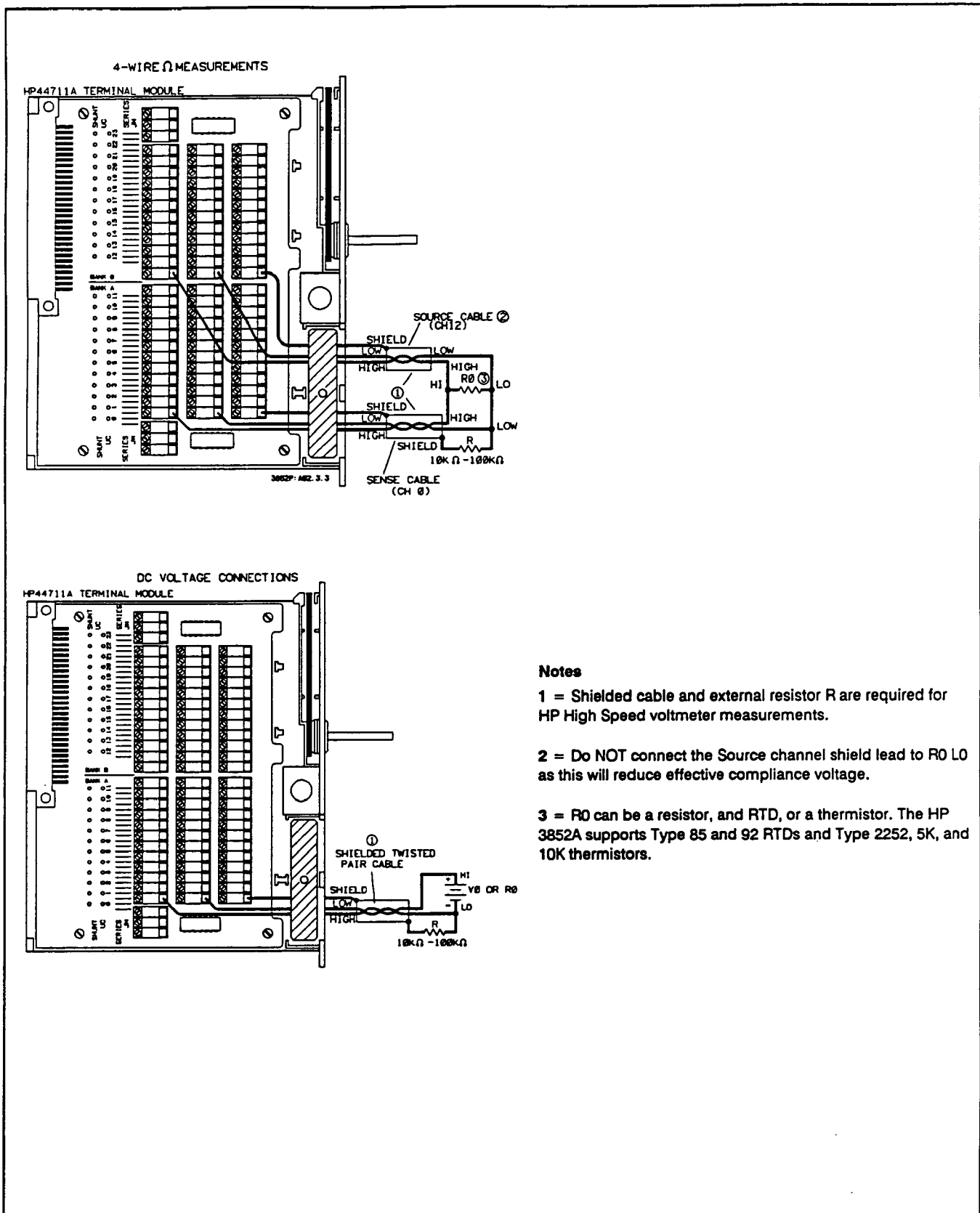


Figure 3-3. HP 44711A Multiplexer Connections

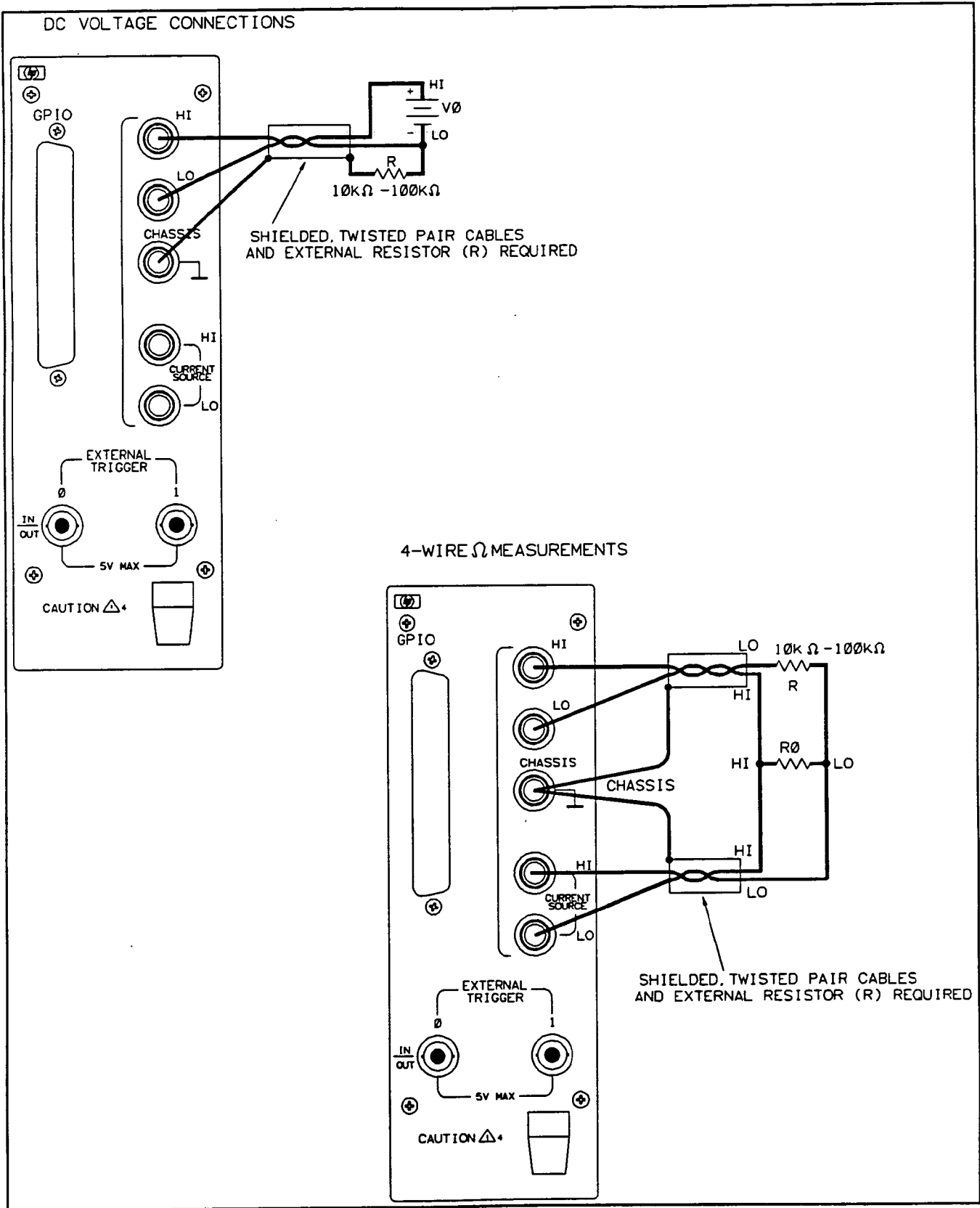


Figure 3-4. Rear Panel Connections

Installing the Voltmeter

When user inputs are connected, install the voltmeter and multiplexers in desired slots. Guidelines to install the voltmeter and associated multiplexers for multiplexer or ribbon cable measurements follow.

Before installing the voltmeter, write down the voltmeter serial number printed on the bar code label on the left side of the instrument. A typical number is 44702 2612A00259, where 44702 is the voltmeter model (HP 44702) and 2612A00259 is the serial number. You'll need the serial number to see if faster backplane scanning rates can be used. Refer to "Mainframe Firmware Revision".

Multiplexer Measurements Installation

When user inputs are connected to the multiplexers, replace the terminal module(s) and install the multiplexer(s) and voltmeter(s) in the slot(s) desired as shown in Figure 3-5.

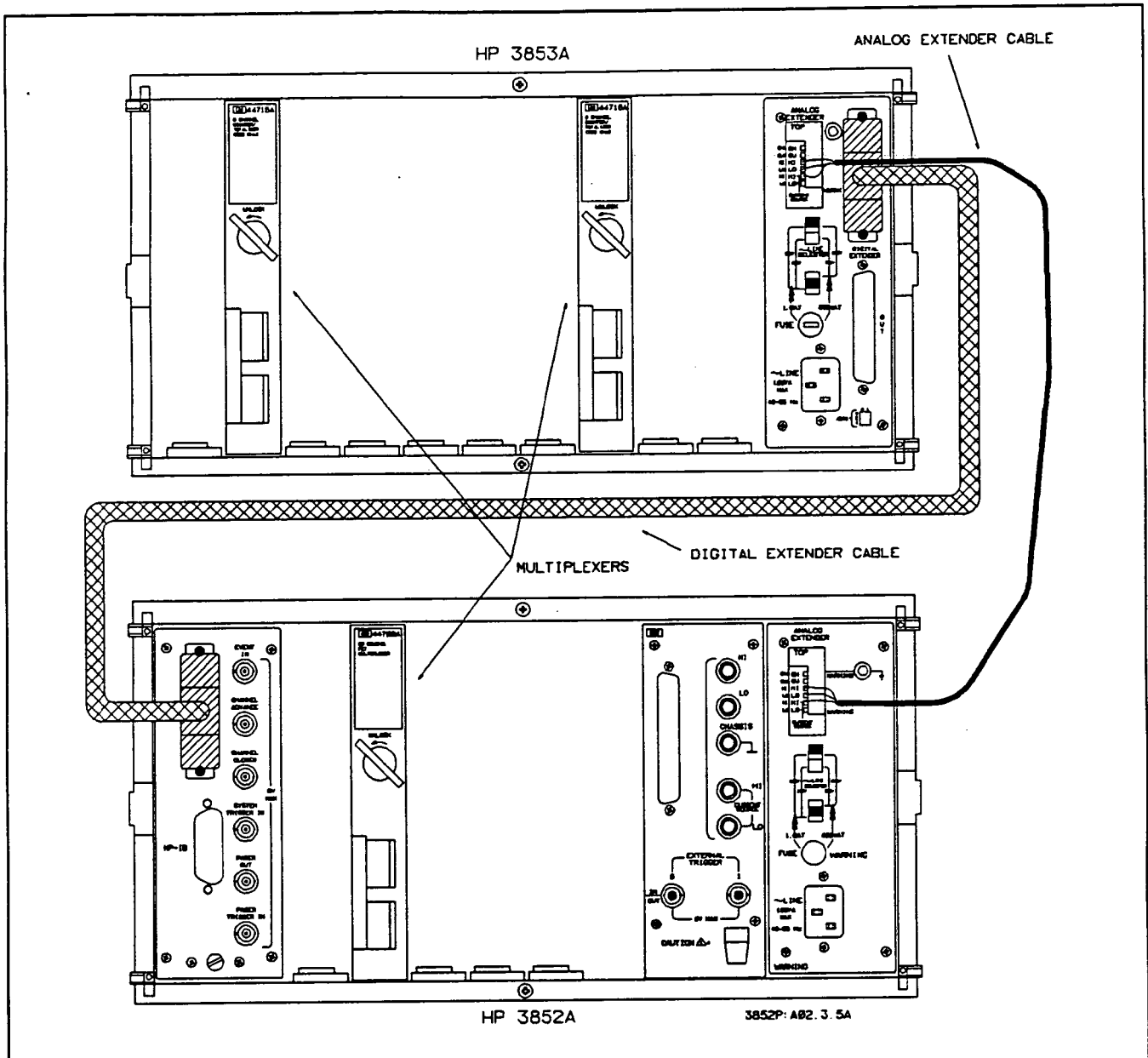
For multiplexer measurements, you can install up to 76 multiplexers (up to eight in the mainframe and up to ten in each extender). Because of mechanical restraints, the HP 44702A/B and HP 44704A voltmeter cannot be installed in slots 3 and 4 of the mainframe or in slots 5 and 6 of an extender.

If all multiplexers are in the same frame (mainframe or extender) as the voltmeter, the analog extender cable is not connected. If any multiplexers are not in the same frame, the analog extender cable must be connected. (The digital extender cable is always required.)

NOTE

1. Do NOT use the installation steps in Figure 3-5 for ribbon cable measurements installation. See Figure 3-6 for ribbon cable measurements installation.

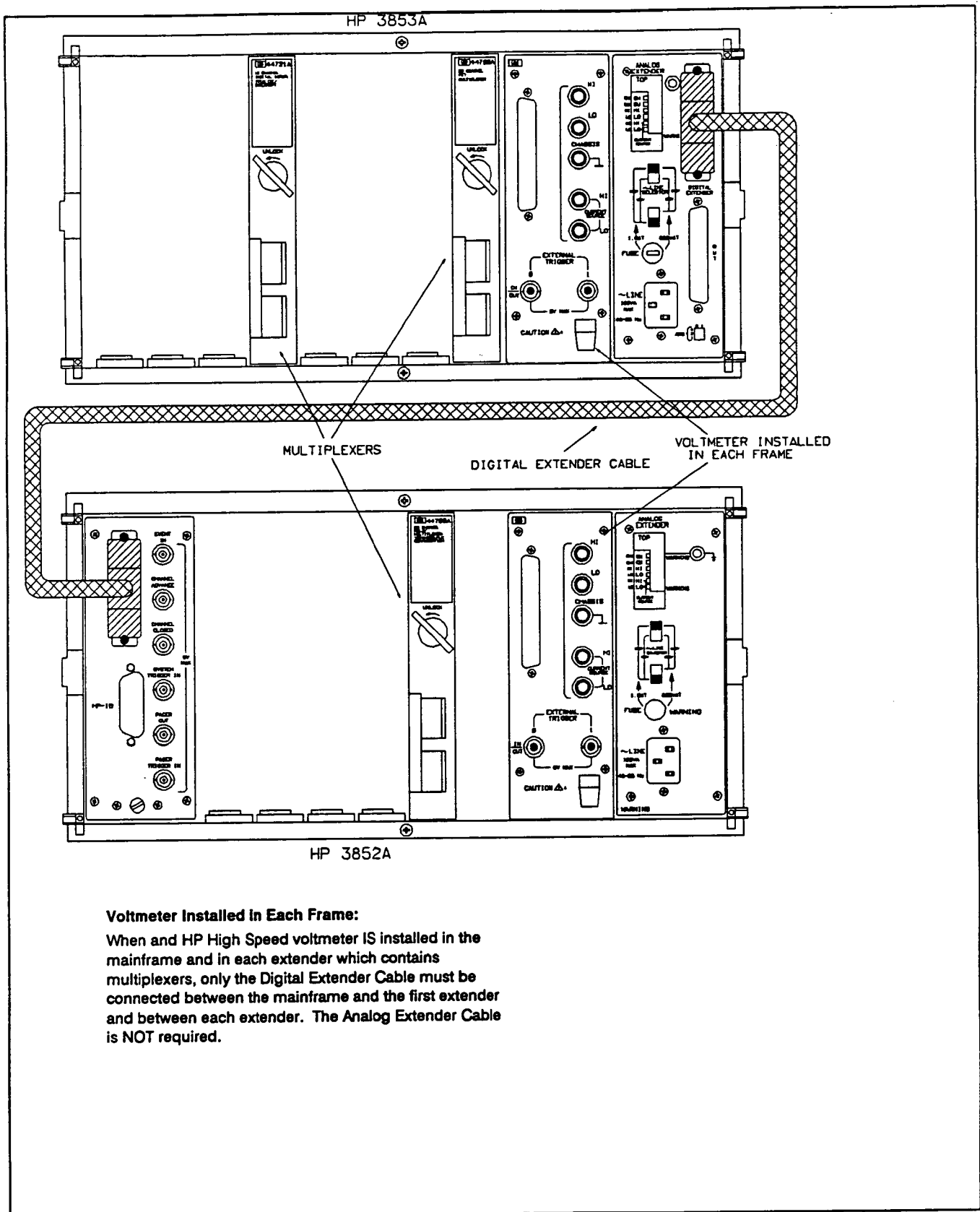
2. If an HP 44711A/B, HP 44712A, or HP 44713A/B multiplexer is used for multiplexer measurements, the ribbon cable must be attached (looped back) to the connector on the multiplexer.



Voltmeter Not Installed in Each Frame:

When an HP High Speed voltmeter is NOT installed in the mainframe and in each extender which contains multiplexers, a Digital Extender Cable and an Analog Extender Cable must be connected between the mainframe and in the first extender and between each extender.

Figure 3-5. Multiplexer Measurements Installation



Voltmeter Installed in Each Frame:
 When an HP High Speed voltmeter is installed in the mainframe and in each extender which contains multiplexers, only the Digital Extender Cable must be connected between the mainframe and the first extender and between each extender. The Analog Extender Cable is NOT required.

Figure 3-5. Multiplexer Measurements Installation (Cont)

Ribbon Cable Measurements Installation

With ribbon cable measurements, user signals are input to the voltmeter via a dedicated ribbon cable from one or more (up to eight) HP 44711A/B, HP 44712A or HP 44713A/B High-Speed FET Multiplexers. The first multiplexer must be installed in the slot next to the voltmeter and additional multiplexers must be installed in adjacent slots. Also, the ribbon cable must be connected from the first multiplexer to the voltmeter and ribbon cables must be connected between multiplexers used. See Figure 3-6.

For ribbon cable measurements, an HP 44702A/B or HP 44704A voltmeter must be installed in each mainframe and each extender which has multiplexers used with the voltmeter. The analog extender cable is not necessary.

Initial Checks

When the voltmeter and multiplexers have been installed, the next step is to initially check the voltmeter for proper operation. This section shows how to check the voltmeter ID, voltmeter self-test, multiplexer wiring connections, and mainframe firmware revision number.

Voltmeter ID Check

When the voltmeter has been installed, check the voltmeter identity by entering the `ID? slot` command from the front panel. Since the voltmeter takes two slots, always address the voltmeter by the lowest slot number. For example, if the voltmeter is in slots 6 and 7, use slot 6 as the address.

For example, if an HP 44702A is installed in slots 6 and 7, `ID? 600` returns 44702A. If an HP 44702B is installed, 44702B is returned. An HP 44704A installed in a mainframe with firmware revision 4.2 or greater returns 44704A. An HP 44704A installed in a mainframe with firmware revisions earlier than 4.2 returns 44702B. If no accessory is installed in the slot addressed, 000000 is returned.

Voltmeter Self-Test

To self-test the voltmeter, enter the `TEST slot` command from the front panel. If the voltmeter passes the self-test check, you can be reasonably sure the voltmeter is operating correctly. The `TEST slot` command checks the voltmeter for proper operation.

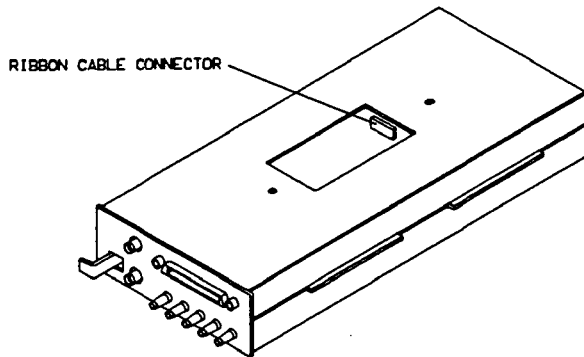
Passing the self-test does not guarantee that the voltmeter is properly calibrated. It only means that the calibration constants are within an acceptable range. Refer to the HP 3852A Assembly Level Service Manual for voltmeter calibration procedures.

The `TEST slot` command changes the state of the HP High-Speed voltmeter. We recommend you use the `RST slot` (or `RESET slot`) command to reset the voltmeter to its power-on state after executing the `TEST` command.

**Ribbon Cable Operation
Connection/Installation Steps**

Caution

To prevent possible damage to the ribbon cable, check the ribbon cable connections before fully removing and HP FET Multiplexer

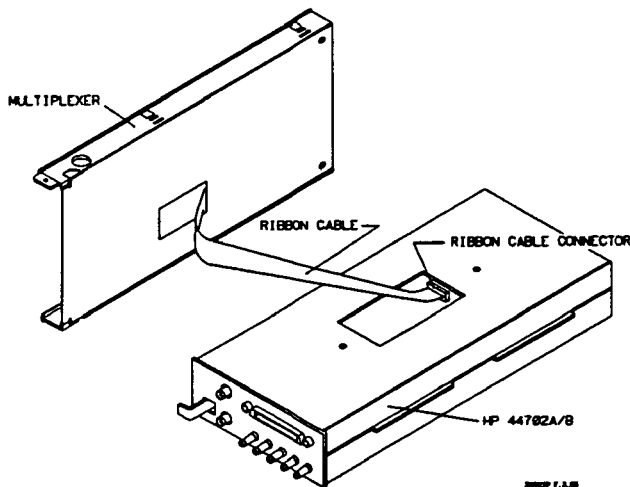
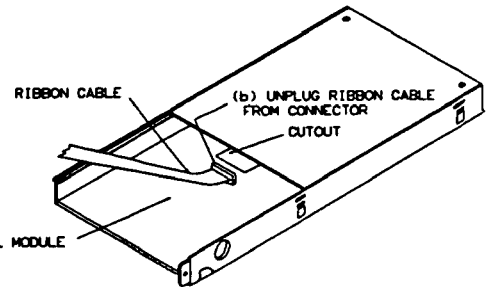


1. Position Voltmeter

Place the HP High Speed Voltmeter with ribbon cable connector side up.

2. Disconnect Ribbon Cable

Remove HP FET Multiplexer terminal module. Disconnect ribbon cable from connector and feed cable through cutout on multiplexer.



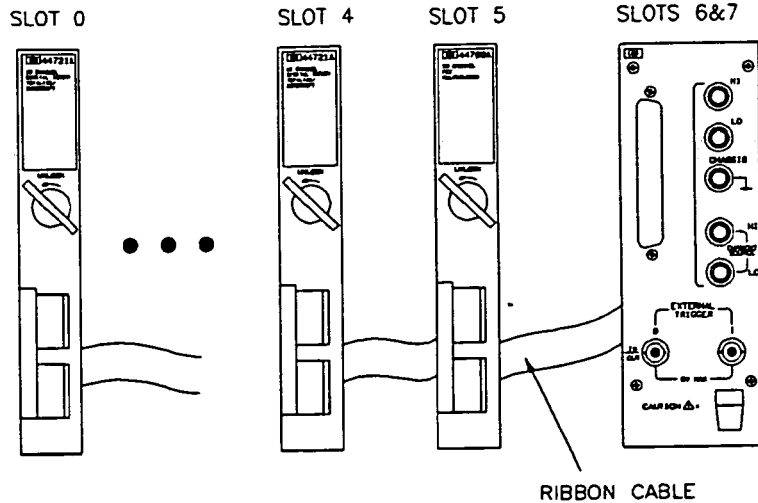
3. Connect Cable to Voltmeter

Attach ribbon cable from multiplexer to voltmeter ribbon cable connector. Replace multiplexer terminal module..

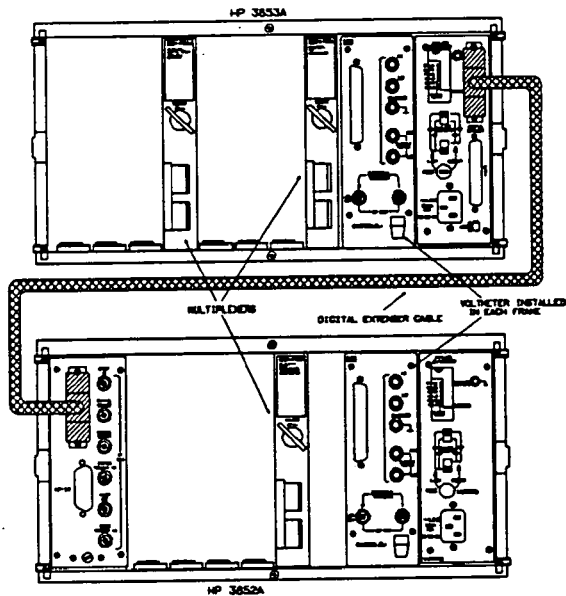
Figure 3-6. Ribbon Cable Measurements Installation

4. Connect Multiplexers

For each frame, join multiplexers by connecting the ribbon cable between multiplexers. For ribbon cable operation, an HP High Speed Voltmeter required in the mainframe and in EACH extender, containing multiplexers.



- UP TO 6 MULTIPLEXERS IN MAINFRAME
- UP TO 8 MULTIPLEXERS IN EACH EXTENDER



5. Install Voltmeter(s) Multiplexer(s)

Install voltmeter(s) and multiplexers in desired slots. The voltmeter cannot be installed in slots 3 and 4 of mainframe or in slots 4 and 5 of and extender. Recommend installing voltmeter in mainframe slots 6 and 7 and in extender slots 8 and 9.

Notes

1. Procedures shown apply only to ribbon cable inputs. See Figure 3-5 for (backplane) multiplexer inputs.
2. If an HP FET Multiplexer is used in other than ribbon cable mode, the ribbon cable must be connected to the connector on the multiplexer.

Figure 3-6. Ribbon Cable Measurements Installation (Cont)

CAUTION

To avoid potential damage to the instrument do NOT use the voltmeter if the self-test fails. Refer to the HP 3852A Assembly Level Service Manual for the service procedures.

For example, for an HP 44702A/B in slots 6 and 7 of the mainframe, TEST 600 displays SELF TEST OK in the right display window if the self-test passes. Enter RST 600 to reset the voltmeter to its power-on state.

Checking Wiring Connections

When the voltmeter passes the self-test, you can check wiring connections to the multiplexers by using the MONMEAS command. (MONMEAS works for DC volts, resistance, RTD, and thermistor connections only.)

With MONMEAS, the voltage (or resistance) on a specified channel is continuously monitored and the result sent to the front panel display ONLY. To advance the monitoring to the next channel in the list, press the SADV KEY key on the front panel. An example follows.

Example: Monitoring Multiplexer Inputs (MONMEAS)

This program checks the DC voltage input to channels 200 through 204 of an HP 44705A multiplexer in slot 2 of the mainframe using an HP 44702A/B voltmeter in slots 6 and 7 of the mainframe. (To monitor 2-wire ohms, use CONF OHM in line 30. To monitor 4-wire ohms, use CONF OHMF in line 30).

When MONMEAS is executed, channel 200 is closed. The voltmeter makes repeated measurements on channel 200 and continuously displays the results on the front panel display only.

Pressing the front panel SADV KEY key advances the scan to channel 201. Pressing the SADV KEY key again advances the scan to channel 202, etc. When the scan reaches channel 204, pressing the SADV KEY key once more ends the sequence. (You can also use the CLEAR key to stop the scan.)

10 OUTPUT 709;"RST 600"	<i>!Reset the voltmeter</i>
20 OUTPUT 709;"USE 600"	<i>!Use voltmeter in mainframe slot 6</i>
30 OUTPUT 709;"CONF DCV"	<i>! Select DC volts measurements</i>
40 OUTPUT 709;"MONMEAS DCV,200-204"	<i>!Meas/display volts on ch 200-204</i>
50 END	

A typical return for a 9V 5 % source connected to channel 200 (value in volts) is:

DCV	200
-----	-----

8.999874E + 00

Mainframe Firmware Revision

With early versions of the HP 44702A/B voltmeters, backplane (multiplexer measurements) scanning rate was limited to about 450 channels/second with relay multiplexers. However, later versions of the voltmeter, combined with mainframe firmware revision 2.0 or higher, allowed faster backplane scanning rates.

To determine the applicable serial numbers, check the label entitled "HP 44702 VOLTMETER ENHANCEMENTS" on the voltmeter metal shield. As shown on the label, the enhanced scanning rate is available for HP 44702As with serial number 2626A 00600 and higher or for HP 44702Bs with serial number 2626A 00450 and higher or when the UPGRADES box is checked on the "HP 44702 VOLTMETER ENHANCEMENTS" label on the voltmeter.

The HP 44704A requires mainframe firmware revision 4.2 or higher. HP 44704A voltmeters in mainframes with earlier revision firmware will emulate an HP 44702B voltmeter.

To check the voltmeter serial number, note the number printed on the component module metal shield. To determine the mainframe firmware revision, use the following program or enter the IDN? command from the front panel.

```
10 DIM Identity$(1:4)[17]
20 OUTPUT 709;"IDN?"
30 ENTER 709;Identity$(*)
40 PRINT USING "K,/";Identity$(*)
50 END
```

For example, if the firmware revision is 4.2, a typical return is as shown. Since the firmware revision is higher than 2.0, enhanced backplane scanning capability is available when a voltmeter with the appropriate serial number is used.

```
HEWLETT PACKARD
3852A
0
4.2
```

```
(Company name)
(Model number)
(Mainframe serial number unknown)
(Firmware revision 4.2)
```

Chapter 4

System Mode Programming

Contents

Introduction	4-1
Chapter Contents	4-1
Program Titles	4-1
Getting Started	4-2
Measurements Using CONFMEAS	4-4
CONFMEAS Command	4-4
CONFMEAS Operation	4-7
CONFMEAS Presets	4-7
Examples: Measurements Using CONFMEAS	4-9
Measurements Using CONF and MEAS	4-11
Programming Overview	4-11
System Mode Commands	4-12
CONF and MEAS Commands	4-13
CONF and MEAS Operation	4-15
Setting Voltmeter Operation	4-17
Setting Number of Readings/Trigger (NRDGS)	4-17
Setting Measurement Delays (DELAY)	4-18
Setting Voltmeter Range (RANGE)	4-18
Setting Autorange Mode (ARMODE)	4-19
Example: Setting Voltmeter Operation	4-19
Setting Voltmeter Triggering	4-20
Setting Trigger Source/ Mode (TRIG)	4-20
Setting Input Slope (SLOPE)	4-22
Example: Setting Voltmeter Triggering	4-22
Setting Scan Triggering	4-23
Setting Scan Trigger Source (STRIG)	4-23
Setting Scan Advance Source (SADV)	4-23
Example: Setting Scan Triggering	4-23
Measurements Not Using MEAS	4-24
Low-Level Multiplexer Measurements	4-25
Controlling Multiplexer Channels (CLOSE/OPEN)	4-25
Transferring Readings (CHREAD)	4-26
Example: Low-Level Multiplexer Measurements	4-26
Rear Panel Measurements	4-27
Setting Input Terminals (TERM)	4-27
Setting Input Threshold (PERC)	4-27
Setting Measurement Function (FUNC)	4-28
Setting Autozero Mode (AZERO)	4-28
Transferring Multiple Readings (XRDGS)	4-28
Example: Rear Panel Measurements	4-29
Enabling Interrupts	4-30
Setting Readings Destination (RDGS)	4-30
Setting Readings Storage Mode (RDGSMODE)	4-31
Setting Interrupts (ENABLE INTR)	4-32
Example: Enabling Interrupts	4-34
System Mode Command Summary	4-36

System Mode Programming

Introduction

This chapter shows how to program the voltmeter for multiplexer and rear panel measurements when the voltmeter is set for System Mode (SCANMODE OFF) operation. Refer to Chapter 5 - Scanner Mode Programming for measurements with the voltmeter in Scanner Mode (SCANMODE ON).

NOTE

This chapter applies directly to the HP 44702A/B, and HP 44704A in 13 and 14 bit resolution modes. The fundamentals covered here also apply to the HP 44704A in 16 bit resolution mode, but some differences exist. These are covered in Chapter 6 - The HP 44704A in 16 Bit Mode.

Chapter Contents

This chapter has five sections:

- **Introduction** lists the chapter contents, shows example program titles, and shows a suggested getting started sequence.
- **Measurements Using CONFMEAS** shows how to make System Mode multiplexer measurements using the CONFMEAS command.
- **Measurements Using CONF and MEAS** shows how to make System Mode multiplexer measurements using the CONF, MEAS, and low-level commands.
- **Measurements Not Using MEAS** shows how to use CONF and/or low-level commands to make multiplexer and rear panel measurements and to enable interrupts.
- **System Mode Command Summary** is an alphabetical summary of System Mode commands.

Program Titles

Table 4-1 lists the titles of the example programs in this chapter, listed by section title.

Table 4-1. Example Program Titles

Measurements Using CONFMEAS		
DC Voltage Measurements	Measure DC voltages on multiplexer channels.	CONFMEAS
Resistance Measurements	Measure the resistance on multiplexer channel.	CONFMEAS
Temperature Measurements	Measure the temperature of a thermistor.	CONFMEAS
Reference Temperature Measurement	Measure the isothermal block temperature.	CONFMEAS
Measurements Using CONF and MEAS		
Setting Voltmeter Operation	Set number readings/trigger, delays, and range.	NRDGS, DELAY, RANGE
Setting Voltmeter Triggering	Set voltmeter trigger source and input edge.	TRIG, SLOPE
Setting Scan Triggering	Set scan trigger source and scan advance source.	SADV, STRIG
Measurements Not Using MEAS		
Low-Level Multiplexer Measurements	Use CONF and low-level commands for multiplexer measurements.	CLOSE, TRIG, CHREAD
Rear Panel Measurements	Use low-level commands for a rear panel measurement.	FUNC, TERM, XRDGS
Digitizing a Waveform	Use low-level commands to digitize a waveform and to enable a voltmeter interrupt.	ENABLE INTR

Getting Started With System Mode operation, you can program the voltmeter for multiplexer or rear panel measurements or you can make field wiring checks.

Multiplexer Measurements

You can make multiplexer measurements in one of three ways: use CONFMEAS; use CONF and MEAS along with low-level commands; or use CONF and/or low-level commands (not using MEAS).

The easiest way to make multiplexer measurements is to use CONFMEAS which sets the voltmeter to a known condition and makes the measurement with a single command. Therefore, first refer to "Measurements Using CONFMEAS" to see if your measurement can be made with CONFMEAS.

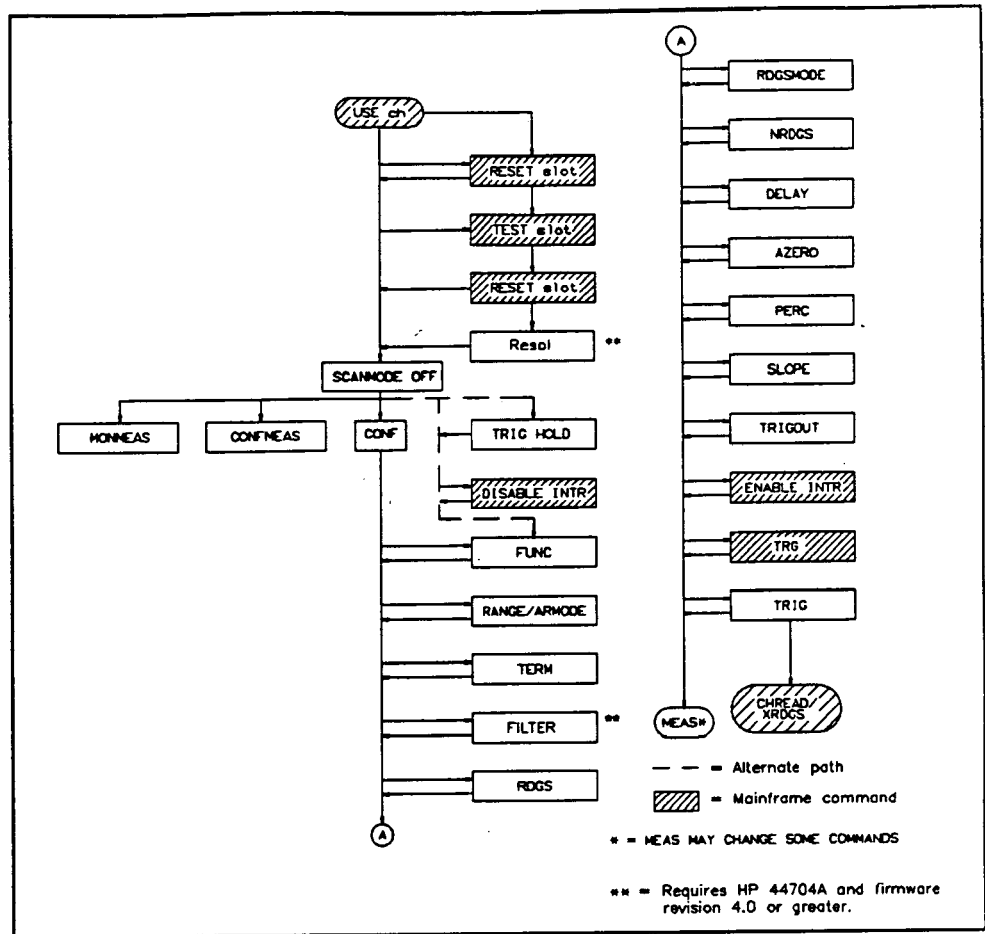


Figure 4-1. System Mode Measurements

Since CONFMEAS sets the voltmeter to a preset condition, if you need to change operating conditions set by CONFMEAS you can use CONF and MEAS along with low-level commands. Refer to "Measurements Using CONF and MEAS" for details.

Using CONFMEAS or CONF and MEAS along with low-level commands will probably meet most multiplexer measurement requirements. However, if you need to enable interrupts, make rear panel measurements, or close channels with the CLOSE command, CONFMEAS or MEAS cannot be used. Refer to "Measurements Not Using MEAS" for applications when CONFMEAS or MEAS cannot be used.

Other Measurements

You can make rear panel measurements using CONF and/or low-level commands. Refer to "Measurements Not Using MEAS" for details. Or, you can check wiring connections by using the MONMEAS command. Refer to Chapter 3 - Installation and Checkout to check multiplexer field wiring connections using MONMEAS.

Programming Sequence

Figure 4-1 shows a suggested programming sequence for System Mode measurements. There are three primary methods of programming (other than using MONMEAS: (1) use CONFMEAS: (2) use CONF and MEAS along with low-level commands: or (3) use CONF and low-level commands (not using MEAS).

In Figure 4-1, solid lines indicate the preferred programming path, dotted lines indicate alternate paths, and striped boxes indicate a mainframe command. For example, for System Mode measurements using CONF and MEAS are required commands, while FUNC, RANGE, etc. are optional commands which can be used to modify the CONF settings as needed.

Use the CONFMEAS sequence for measurements discussed in “Measurements Using CONFMEAS”, use the CONF and MEAS sequence for measurements discussed in “Measurements Using CONF and MEAS”, or use the CONF and low-level sequence (ending the CHREAD/XRDGS) for measurements discussed in “Measurements Not Using MEAS.”

Measurements Using CONFMEAS

This section shows how to make multiplexer measurements using the CONFMEAS command. It includes a summary of the CONFMEAS command, describes voltmeter operation with CONFMEAS in System Mode, shows the preset values for the CONF phase of CONFMEAS, and shows measurement examples using CONFMEAS.

To decide if your measurement can be made with CONFMEAS, read the “CONFMEAS Command”, “CONFMEAS Operation”, and “CONFMEAS Presets” subsections which follow. If the CONFMEAS operation and presets are acceptable, refer to “Examples: Measurements Using CONFMEAS” for example programs using CONFMEAS. If not, refer to the next section “Measurements Using CONF and MEAS”.

CONFMEAS Command

CONFMEAS can be used with the HP High-Speed voltmeter to make DC voltage, DC current (when user-supplied shunt is installed), strain, resistance (2-wire or 4-wire ohms), and temperature (thermocouples, thermistors, or RTDs) measurements. The advantage of using CONFMEAS is that it allows you to quickly and easily configure the voltmeter for a wide variety of measurements with a single command. The CONFMEAS syntax is:

```
CONFMEAS function ch_list [NSCAN number] [USE ch] [INTO name] or  
[fmt]
```

NOTE

1. The *NSCAN* number parameter applies only to instruments which have firmware revision 2.2 or greater.
 2. For the HP 44717A, 44718A, 44719A, and 44720A strain gage multiplexers, *CONFMEAS* includes additional optional and/or required parameters. Refer to the HP 44717A, 44718A, 44719A, 44720A Strain Gage Accessories Configuration and Programming Manual for Details.
-

CONFMEAS configures the voltmeter for a specific measurement function, scans, measures, and transfers data. *CONFMEAS* can be used only for multiplexer measurements. *CONFMEAS* does the following:

- Configures the voltmeter to a function appropriate to the specified measurement function (DCV, OHM, etc.) and sets the voltmeter to a known programmed state. The measurement function is specified by the *function* parameter.
- Causes specified multiplexer channel(s) to be scanned and measured and associated data conversion (voltage to temperature in °C or voltage to strain) to be performed (as required) on the results. The channels to be scanned are defined by the *ch_list* parameter. (The optional *NSCAN number* parameter sets the number of times the channels in the *ch_list* will be scanned.)
- As part of thermocouple measurements, measures the isothermal block reference thermistor on the terminal module to provide a reference value for temperature conversions. *CONFMEAS* can also be used to measure the isothermal block reference temperature only.
- Transfers measurement data to the mainframe memory (when *INTO name* is used) or to the output buffer and/or display (when *INTO name* is not used).

Table 4-2 shows *CONFMEAS function* parameters and data returns for the *function*. Note that *CONFMEAS* is actually two commands in one: *CONF* and *MEAS*. The configuration phase of *CONFMEAS* is equivalent to the *CONF* command, while the measurement phase of *CONFMEAS* is equivalent to the *MEAS* command. That is, *CONFMEAS* is equivalent to a *CONF* command followed immediately by a *MEAS* command.

Table 4-2. CONFMEAS Functions/Data Returns

function:	Configure for:	Data Returned:
DC Voltage		
DcV	DC voltage	DC voltage on chs in ch-list
Resistance		
OHM	2-wire ohms (same as OHM100K)	Resistance on chs in ch_list
OHM10K	2-wire ohms up to 10 k Ω	Resistance on chs in ch_list
OHM100K	2-wire ohms up to 100 k Ω	Resistance on chs in ch_list
OHM1M	2-wire ohms up to 1 M Ω	Resistance on chs in ch_list
OHMF	4-wire ohms (same as OHMF100K) [1]	Resistance on chs in ch_list
OHMF10K	4-wire ohms up to 10 k Ω [1]	Resistance on chs in ch_list
OHMF100K	4-wire ohms up to 100 k Ω [1]	Resistance on chs in ch_list
OHMF1M	4-wire ohms up to 1 M Ω [1]	Resistance on chs in ch_list
Temperature		
TEMPtype	Reference temperature and thermocouple voltage measurements type = B, E, J, K, N14 [N (AWG 14)], N28 [N (AWG 28)], R, S, and T	Thermocouple temp ($^{\circ}$ C) on chs in ch_list, compensated to 0 $^{\circ}$ reference
REFT	Reference temperature measurement of isothermal block	Reference temp ($^{\circ}$ C) of isothermal block in slot addressed
THMtype	2-wire ohms measurement of thermistor type = 2252 (2252 Ω thermistor) = 5K (5 k Ω thermistor) = 1OK (10 k Ω thermistor)	Thermistor temp ($^{\circ}$ C) on ch in ch_list
THMtype	4-wire ohms measurement of thermistor [1] type = Same type as THMtype	Thermistor temp ($^{\circ}$ C) on ch in ch_list
RTDtype	2-wire ohms measurement of RTD type = 85 (RTDs with α = 0.00385 Ω/Ω°) = 92 (RTDs with α = 0.003916 Ω/Ω°)	RTD temp ($^{\circ}$ C) on ch in ch_list
RTDtype	4-wire ohms measurement of RTD [1] type = same as RTDtype	RTD temp ($^{\circ}$ C) on ch in ch_list
Strain [2]		
STRVEX	Bridge excitation voltage (\pm VS)	Bridge excitation voltage
STRUN	Bridge output which is ref for corresponding strain measurement	Bridge output voltage
STRQ	1/4 bridge strain	Strain or microstrain [3]
STRFB	Bending full bridge strain	Strain or microstrain [3]
STRHB	Bending half bridge strain	Strain or microstrain [3]
STRQTEN	Shunt verification (tension shunt) diagnostic (HP 44717A or 44718A only)	Strain or microstrain [3]
STRQCOMP	Shunt verification (compression shunt) diagnostic (HP 44717A or 44718A only)	Microstrain
STRHP	1/2 bridge Poisson strain	Strain or microstrain [3]
STRFBP	Bending full bridge Poisson strain	Strain or microstrain [3]
STRFP	Full bridge Poisson strain	Strain or microstrain [3]
Notes:		
[1] = For 4-wire ohms functions		
[2] = Refer to the CONFMEAS command in the HP 3852A Command Reference Manual for definitions.		
[3] = Depends on Gage factor (GF factor).		

CONFMEAS Operation

Figure 4-2 is a simplified version of voltmeter operation for CONFMEAS in system Mode. When CONFMEAS is executed the voltmeter is configured (1), any required thermocouple or strain references are measured (2), and the scan sequence is started (3).

When the scan sequence is started, the first channel in the channel list is closed and the voltmeter is triggered. After a 1 msec delay (6 msec if the CONFMEAS *function* is OHM1M or OHMF1M), a measurement (m_1) is made on the first channel in the channel list (4).

When the first channel is measured, the data is transferred to the mainframe (5), the scan is advanced to the second channel in the channel list (6), and a measurement is taken on the second channel. This sequence repeats for each channel in the channel list. When the last channel is measured, the channel is opened and the scan ends (7).

If the CONFMEAS NSCAN *number* parameter (valid only for firmware revision 2.2 and greater) is not specified, the scan sequence ends at (7). If NSCAN *number* is specified, the scan sequence is repeated *number* times. For example, with NSCAN 3 and 10 channels in the channel list, 30 measurements are taken.

CONFMEAS Presets

As noted, executing CONFMEAS is equivalent to executing a CONF command followed immediately by a MEAS command. To help you decide whether to use CONFMEAS or to use CONF and low-level commands, Table 4-3 shows the values set with the CONF command (presets) for System Mode operation (the same values set by the CONF phase of CONFMEAS).

If these presets are acceptable for your measurement, refer to the next subsection “Examples: Measurements Using CONFMEAS” for some example programs using CONFMEAS. If not, refer to the next section “Measurements Using CONF and MEAS”.

Executing CONF (or the CONF phase of CONFMEAS) is equivalent to setting the twelve low-level commands shown in Table 4-3 in the order shown. CONF does not change the previous settings of any other System Mode commands.

Thus, CONF does not change the voltmeter mode of operation (SCANMODE OFF is not changed to SCANMODE ON or vice-versa). At power-on or following a reset (RST or RST *slot*), System Mode (SCANMODE OFF) is set.

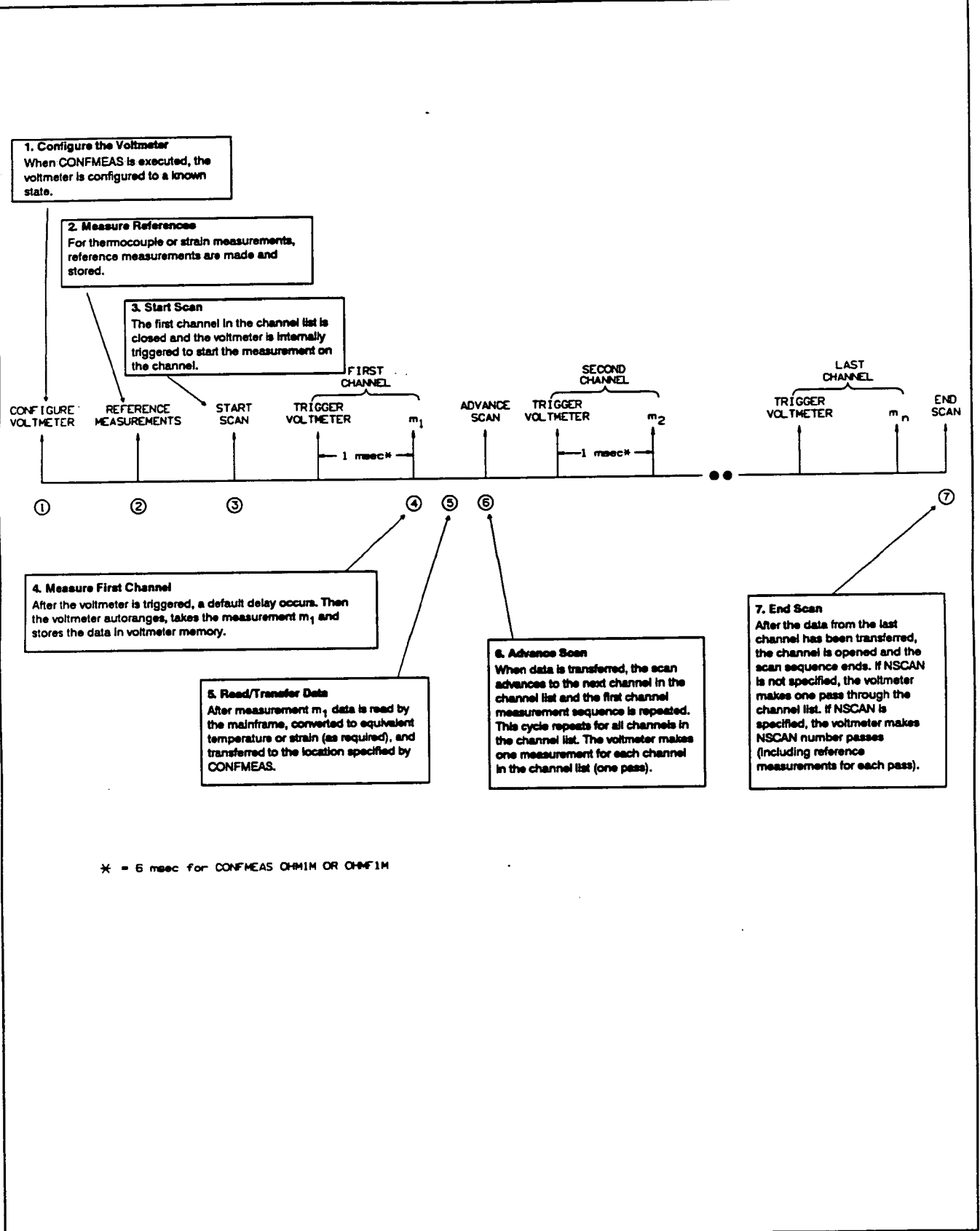


Figure 4-2. CONFMEAS (System Mode) Operation

Table 4-3. CONFMEAS Presets (System Mode)

Command/Presets(S)	Definitions
TRIG SCAN	Starts scan immediately.
SADV SCAN	Advance scan as soon as NRDGS readings are available.
TRIG HOLD	Trigger is disabled. [1]
FUNC DCV or OHMxx	As appropriate for CONF function parameter.
RANGE AUTO	Autorange mode. [2]
NRDGS 1	One reading per trigger.
RDGSMODE DAV	Reading is available when any reading stored.
DELAY 0.001, 0.00001	1 msec trigger-delay, 10 μsec sample-period. [3]
AZERO ONCE	Autozero once
Notes:	
[1] = Voltmeter is triggered (TRIG SCAN) by the MEAS phase of CONFMEAS.	
[2] = Mainframe firmware revisions before revision 2.2 set a fixed range for CONF TEMPxx.	
[3] = CONF OHM1M and CONF OHMF1M set 6 msec trigger delay and sample period.	

**Examples:
Measurements
Using
CONFMEAS**

Four program examples using CONFMEAS for System Mode multiplexer measurements follow. The first example measures DC voltage, the second measures resistance using 4-wire ohms, the third measures the temperature of a thermistor and the fourth measures a reference temperature.

The first three examples use an HP 44705A 20-Channel Relay Multiplexer in slot 5 of the mainframe and an HP 44702A/B or HP 44704A voltmeter in slots 6 and 7 of the mainframe (programming slot 6). See Figure 3-2 in Chapter 3 for typical connections. The fourth example uses an HP 44708A in slot 5 of the mainframe. You should also refer to the appropriate multiplexer configuration and programming manual for additional details.

Example:DC Voltage Measurements (CONFMEAS)

This program uses CONFMEAS to measure DC voltages connected to channels 500 through 509 of an HP 44705A multiplexer. Since NSCAN *number* is not specified, the voltmeter makes a single pass through the channel list.

```

10 DIM Volts(0:9) ! Dimension controller array
20 OUTPUT 709;"USE 600" ! Use voltmeter in mainframe slot 6
30 OUTPUT 709;"CONFMEAS DCV,500-509" ! Conf/meas DC volts, ch 500-509
40 INTER 709;Volts(*) ! Enter 10 readings
50 PRINT USING "K,.";Volts(*) ! Display 10 readings
60 END

```

For a set of 5V 5 % sources, typical return values (in volts) are:

- 4.9975
- 5.0025
- .
- .
- 4.9875

Example: Resistance Measurements (CONFMEAS)

CONFMEAS can also be used for 2-wire or 4-wire ohms resistance measurements (refer to Table 4-2). This program measures resistance using 4-wire ohms on channel 500 of an HP 44705A multiplexer.

Note that only the Sense channel (channel 500) is specified in the CONFMEAS *ch_list* parameter, since CONFMEAS automatically assigns the correct channel (channel 510 in this case) as the Source channel. Also, note that CONFMEAS OHMF configures the voltmeter for 4-wire ohms measurements up to 100 k Ω (assumed for this program) and that measurement results are returned in Ω .

```
10 OUTPUT 709;"USE 600"           ! Use voltmeter in mainframe slot 6
20 OUTPUT 709;"CONFMEAS OHMF,500" ! Conf/meas resistance on ch 500
30 ENTER 709;A                    ! Enter results
40 PRINT A                        ! Display results
50 END
```

A typical return for a 10 k Ω 5% resistor value (in Ω) is:

9993.75

Example: Temperature Measurements (CONFMEAS)

CONFMEAS can be used for a wide variety of temperature measurements, including RTDs, thermistors, and thermocouples. CONFMEAS can also be used to measure the reference temperature for thermocouple measurements.

The HP 3852A supports 2252 Ω , 5 k Ω , and 10 k Ω thermistors; Type 85 and 92 RTDs; and Type B, E, J, K, N14 [N (AWG 14)], N28 [N (AWG 28)], R, S, and T thermocouples. Both 2-wire and 4-wire ohms techniques can be used for RTD or thermistor measurements, but accuracy is reduced for 2-wire ohms measurements (2-wire ohms measurements are NOT recommended for FET multiplexers).

This program uses CONFMEAS to measure the temperature of a 2252 Ω thermistor connected to channel 500 of an HP 44705A multiplexer. See Figure 3-2 for typical thermistor connections to channels 500 and 510 of the multiplexer.

```

10 OUTPUT 709;"USE 600"           ! Use voltmeter in mainframe slot 6
20 OUTPUT 709;"CONFMEAS THMF2252,500" ! Conf/meas Type 2252 thermistor
30 ENTER 709;A                     ! Enter temperature
40 PRINT A                           ! Display temperature
50 END

```

For a 2252 Ω thermistor at room temperature, a typical return (value in $^{\circ}\text{C}$) is:

24.312

Example: Reference Temperature Measurement (CONFMEAS)

As noted, the HP 3852A supports Type B, E, J, K, N14 [N (AWG 14)], N28 [N (AWG 28)], R, S, and T thermocouples. However, if you want to measure other thermocouples, you will need to measure the reference temperature for use in your own linearization program. This program uses CONFMEAS to measure the reference temperature of an HP 44708A multiplexer in slot 5 of the mainframe.

```

10 OUTPUT 709;"USE 600"           ! Use voltmeter in mainframe slot 6
20 OUTPUT 709;"CONFMEAS REFT,500" ! Measure reference temperature
30 ENTER 709;A                     ! Enter reference temperature
40 PRINT A                           ! Display reference temperature
50 END

```

A typical return value at room temperature (in $^{\circ}\text{C}$) is:

24.312

Measurements Using CONF and MEAS

This section shows how to use CONF and MEAS along with some System Mode low-level commands for multiplexer measurements. Low-level commands discussed in this section are ARMODE, DELAY, NRDGS, RANGE, SADV, SLOPE, STRIG, and TRIG. For rear panel measurements or for a discussion of other System Mode low-level commands, refer to the next section "Measurements Not Using MEAS".

Programming Overview

As previously shown, CONFMEAS configures the voltmeter, takes the measurement, and reads the data with a single command. However, CONFMEAS sets the voltmeter to a specific configuration. If your measurement cannot be made with CONFMEAS, you can modify the voltmeter configuration by using the CONF and MEAS commands and low-level commands.

The programming sequence used in this section will be to first configure the voltmeter to a known state with the CONF command, modify the CONF settings with one or more low-level commands, and use MEAS to make the measurements and transfer the data. We will show how to use seven low-level commands to modify the voltmeter settings: DELAY, NRDGS, RANGE, SADV, SLOPE, STRIG, and TRIG.

Refer to "Setting Voltmeter Operation" for the NRDGS, DELAY, and RANGE commands. Refer to "Setting Voltmeter Triggering" for the TRIG and SLOPE commands. Refer to "Setting Scan Triggering" for the SADV and STRIG commands.

NOTE

You can probably make most System Mode measurements using CONF, MEAS, and one or more of these seven low-level commands. However, if you need to make rear panel measurements, use OPEN and CLOSE, or enable interrupts, MEAS cannot be used. In this case, refer to the next section "Measurements Not Using MEAS".

System Mode Commands Table 4-4 summarizes System Mode low-level commands for the voltmeter with power-on/reset and default values (as applicable). If a command (such as DELAY and RANGE) has two parameters, the command is listed twice - once for each parameter. Refer to the HP 3852A Command Reference Manual for details on the commands.

Table 4-4. System Mode Low-Level Commands

Command	Description	Power-On	Default	Note
ARMODE mode	Autorange mode	AFTER	-	
AZERO [mode]	Autozero mode	ONCE	ONCE	
CAL	Service cmd	-	-	[1]
CHREAD ch	Single data read	-	-	
DELAY trig-delay	Trigger delay	0 μ sec	-	
DELAY [sample-period]	Sample period	10 μ sec	unchd	
DISABLE INTR	Disable intr	-	-	[2]
ENABLE INTR	Enable intr	-	-	
FUNC function	Meas function	DCV	-	
FUNC [range]	Meas range	AUTO	AUTO	
NRDGS number	Rdgs/trigger	1	-	
PERC threshold	Threshold level	0%	-	
RANGE [range]	Voltmeter range	AUTO	AUTO	
RDGS dest	Readings dest	SYS	-	
RDGSMODE mode	Rdgs storage	DAV	-	
SADV source	Scan adv source	SCAN	-	[3]
SCANMODE [mode]	Operating mode	OFF	ON	
SLOPE mode	Input slope	LH	-	
STRIG source	Scan start source	SCAN	-	[3]
TERM terminal	Input terminals	EXT	-	
TRIG [source]	Trigger source	HOLD	SGL	
TRIGOUT [mode]	EXT0 trig mode	OFF	ON	
USE ch	Voltmeter slot	Lowest valid slot and channel	-	[4]
XRDGS ch	Slot to be read	-	-	
XRDGS [Number]	Number readings	-	NRDGS	[5]

Notes:
 [1] = Refer to HP 3852A Assembly Level Service Manual.
 [2] = Interrupts disabled at power-on.
 [3] = Valid for HP 44702A/B or HP 44704A operation only when MEAS is used.
 [4] = May or may not be the slot the voltmeter is in.
 [5] = For System Mode, default is number of readings set by NRDGS

CONF and MEAS Commands Before showing how to use the low-level commands to modify voltmeter settings, we will briefly discuss the CONF and MEAS commands and show the conditions (called preset values) set by CONF.

The CONF Command

Executing CONF *function* [USE *ch*] is equivalent to setting the low-level commands shown in Table 4-5 in the order shown. CONF does not change the previous settings of any other System Mode commands.

Thus, CONF does not change the voltmeter mode of operation (SCANMODE OFF is not changed to SCANMODE ON or vice-versa). At power-on or following a reset (RST or RST *slot*), System Mode (SCANMODE OFF) is set.

Table 4-5. CONF Preset Values (System Mode)

Command/Preset(s)	Definition
STRIG SCAN	Start scan immediately
SADV SCAN	Advance scan as soon as NRDGS readings are available.
TRIG HOLD	Trigger is disabled.
FUNC DCV or OHMxx	As appropriate for CONF function parameter.
RANGE AUTO	Autorange mode [1].
TERM INT	Backplane bus is the input terminal.
NRDGS 1	One reading per trigger
RDGS SYS	Readings are returned to the mainframe.
RDGSMODE DAV	Reading is available when any reading stored.
ARMODE AFTER	Autorange after measurement.
DELAY 0.001,0.00001	1 msec trigger-delay
AZERO ONCE	Autozero once.
Notes:	
[1] = Mainframe firmware revisions before revision 2.2 set a fixed range for CONF TEMPxx.	
[2] = CONF OHM1M and CONF OHMF1M set 6 msec trigger-delay and sample-period.	

The MEAS Command

MEAS *function* *ch_list* [NSCAN *number*] [USE *ch*] [INTO *name*] or [*fmt*] sets the measurement function appropriate for the *function* parameter, initiates a scan and measurement of the multiplexer channels specified by *ch_list*, and makes the number of passes set by the NSCAN *number* parameter.

When measurements have been taken, MEAS automatically transfers the readings to the mainframe memory (when INTO *name* is used) or to the output buffer and/or display (when INTO *name* is not used). For temperature or strain measurements, MEAS also causes associated conversions to be performed on the results.

For thermocouple and strain measurements, all reference measurements are first made (automatically) and then all channel measurements are made. A reference measurement is made each time a slot is crossed in the channel list. For example, MEAS TEMPJ, 100-223 makes two reference measurements: one for slot 100 and the second for slot 200. However, MEAS TEMPJ,100,200,101,201 makes four reference measurements: slot 100, slot 200, slot 100 again, and slot 200 again.

Executing MEAS disables all interrupts on the voltmeter unless RDGS GPIO (readings destination is the GPIO port) is set. If MEAS detects that the voltmeter function set is not compatible with the MEAS *function* specified, the voltmeter is re-configured and autorange is set. In addition, for System Mode operation, MEAS checks and changes (as necessary) the commands shown in Table 4-6.

Table 4-6. System Mode Commands Changed by MEAS

Command	Setting
FUNC	Changed to function set by MEAS function.
TRIG	TRIG HOLD or TRIG INT changed to TRIG SCAN.
TERM	TERM ZERO changed to TERM INT [1].
DISABLE INTR	DISABLE INTR is set if RDGS SYS is set.
Note: [1] = TERM ZERO is a service-related command. Refer to the HP 3852A Assembly Level Service Manual for details on TERM ZERO.	

CONF and MEAS Operation Since CONF followed immediately by MEAS is equivalent to a CONFMEAS command, voltmeter operation for CONF and MEAS is identical to that for CONFMEAS (see Figure 4-2). However, by using CONF and MEAS along with low-level commands, you can modify voltmeter operation for specific measurement requirements.

Figure 4-3 shows voltmeter operation when CONF and MEAS are used in System Mode and also shows how seven low-level commands (DELAY, NRDGS, RANGE, SADV, SLOPE, STRIG, and TRIG) can be used to modify voltmeter settings). (Note that CONF does not change the previous setting of SLOPE.) A summary of voltmeter operation and the related commands shown in Figure 4-3 follows.

When CONF is executed, the voltmeter is configured and MEAS ensures that the voltmeter is properly set for the specified measurement (1). Then, for strain or temperature measurements, the voltmeter automatically takes and stores the reference measurements (2).

The scan is started by a trigger from the source set by STRIG and the first channel is closed (3). Then, the voltmeter is triggered from the source set by TRIG (4). For TRIG MEAS, EXT0, EXT1, or GPIO, SLOPE sets the input edge (LH or HL) which will trigger the voltmeter.

After the voltmeter is triggered, the voltmeter takes NRDGS *number* readings on the first channel (5) as set by the NRDGS *number* parameter. DELAY *trig_delay* sets the delay between the trigger and the first measurement (m1). The sample period between the start of each measurement (m1 to m2, etc.) is set by the DELAY *sample_period* parameter. As each measurement is taken, data is stored in the voltmeter data buffer.

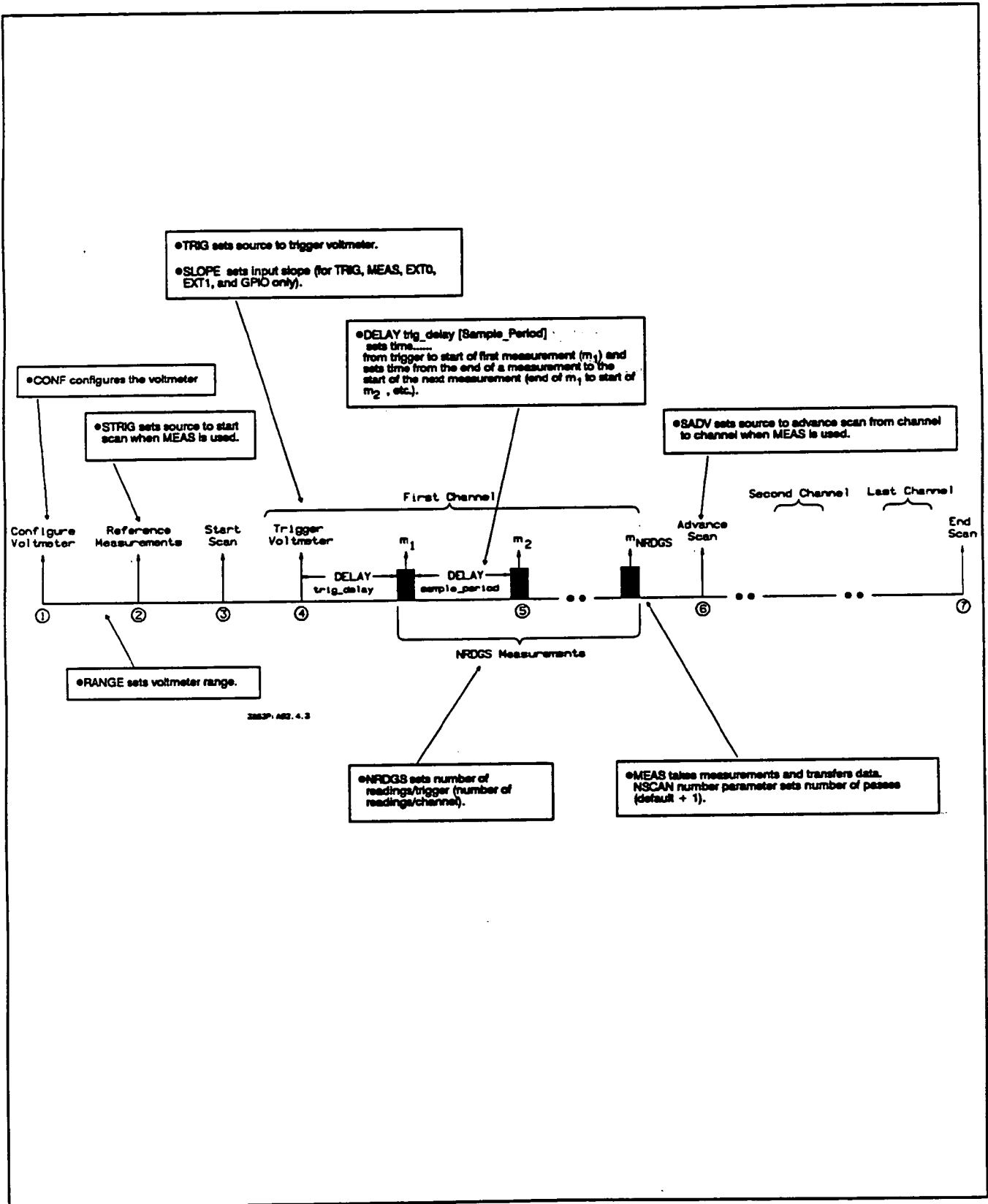


Figure 4-3. CONF and MEAS (System Mode) Operation

Stored readings are transferred to the destination specified by MEAS. All readings from the first channel must be transferred out of the voltmeter buffer before the scan will advance to the second channel.

After readings have been transferred, the scan is advanced to the next channel by a trigger from the source set by SADV (6). (Note that when MEAS is used, STRIG sets the source to start the scan, while SADV sets the source to advance the scan from channel to channel.)

The scan advances through each of the channels in the channel list and the first channel measurement sequence is repeated for each channel. When the data from the last channel has been read, the last channel is opened and the first pass ends (7).

If MEAS NSCAN *number* is not specified, the voltmeter makes one pass through the channel list and the scan sequence ends. Otherwise, the voltmeter makes the number of passes set by NSCAN *number*. For example, with NSCAN 3, ten channels in the channel list, and ten readings/trigger, the voltmeter makes 300 measurements.

Setting Voltmeter Operation

This subsection shows how to use the NRDGS, DELAY, and RANGE commands to set voltmeter operation for System Mode multiplexer measurements and includes a definition of the ARMODE (autorange mode) command.

Setting Number of Readings/Trigger (NRDGS)

For System Mode operation, the voltmeter can be programmed to make from 1 to 65535 measurements for each channel in the channel list as set with NRDGS *number* [USE *ch*]. At power-on, reset (RST), or when CONF is sent the number of readings is set at 1 for each channel (NRDGS 1 is set).

As shown in Figure 4-3, since the voltmeter makes NRDGS *number* readings on each channel in the channel list, the total number of readings taken is the number of channels in the channel list times the number of readings per trigger times NSCAN.

For example, with NRDGS 10 and 10 channels in the channel list, the voltmeter makes 100 readings. Note however, that the 10 readings for channel 1 must be read from the voltmeter buffer before the scan will advance to the next channel. (MEAS automatically transfers the readings as required.)

NOTE

For the HP 44702A, if NRDGS is set >8192 the voltmeter will stop the measurement sequence early if the voltmeter data buffer fills. In this case, the number of measurements taken will vary and no error indication will be given.

Setting Measurement Delays (DELAY) CONF sets a 1 msec delay from the trigger to the first measurement on each channel and sets a 10 μ sec period between each measurement (such as m_1 to m_2 in Figure 4-3). For System Mode (only) both the delay and the sample period can be changed with the DELAY command.

DELAY *trig_delay* sets the delay time (0 to 0.01638375 sec) from the trigger to the start of the first measurement on each channel. DELAY *sample_period* sets the time (0 to 1073.741823 sec) from the start of a measurement to the start of the next measurement on the channel.

For example, DELAY 0.01,1 sets a 10 msec delay from the trigger to the first measurement, and sets a 1 second period from the start of a measurement to the start of the next measurement on the channel (such as m_1 to m_2 in Figure 4-3).

Setting Voltmeter Range (RANGE) At power-on, after a reset (RST), or when CONF is executed, the voltmeter is set for autorange mode. RANGE [*range*] [USE *ch*] can be used to set the voltmeter range or to set autorange. To determine the specific voltmeter range, you must specify the maximum expected signal amplitude or the maximum expected resistance. The voltmeter then automatically selects the correct range. Autorange is selected by entering the word AUTO or the number 0 for the RANGE [*range*] parameter.

Table 4-7 shows the voltmeter range selected by the RANGE *range* command for DC voltage and 4-wire ohms ranges. In Table 4-7, any value between the ranges shown selects the range shown. For example, if the voltmeter is configured for DC voltage by CONF DCV any value of RANGE [*range*] >0.32 through 2.56 sets the voltmeter to the 2.56V range.

Table 4-7. RANGE [range] Parameter Values

DCV		OHMF10K	
range	Selects Range	range	Selects Range
0 or AUTO	Autorange	0 or AUTO	Autorange
> 0 - .040	40 mV	> 0 - 40	40 Ω
> .04 - .32	320 mV	> 40 - 320	320 Ω
> .32 - 2.56	2.56V	> 320 - 2560	2.56 kΩ
> 2.56 - 10.24	10.24V	> 2560 - 10240	10.24 kΩ
OHMF100K		OHMF1M	
range	Selects Range	range	Selects Range
0 or AUTO	Autorange	0 or AUTO	Autorange
> 0 - 400	400 Ω	> 0 - 4000	4 kΩ
> 400 - 3200	3.2 kΩ	> 4000 - 32,000	32 kΩ
> 3200 - 25600	25.6 kΩ	> 32,000 - 256,000	256 kΩ
> 25600 - 102400	102.4 kΩ	> 256,000 - 1,024,000	1.024 MΩ

* = DCV, OHMF10K, OHMF100K, and OHMF1M are voltmeter measurement functions as set by CONF or FUNC, at power-on, or by a reset (RST)

Setting Autorange Mode (ARMODE)

The ARMODE command can be used to set the autorange mode when autoranging is enabled. With ARMODE AFTER (power-on setting) and autoranging enabled, the voltmeter autoranges after the trigger is received and then takes the measurement. ARMODE AFTER is used in all examples in this chapter. Refer to Chapter 5 - Scanner Mode Programming for a discussion of the ARMODE command.

Example: Setting Voltmeter Operation

The following example program shows a way to change voltmeter operating parameters using NRDGS, DELAY, and RANGE for DC voltage measurements on channels 500 through 504 of an HP 44705A multiplexer. See Figure 3-2 for typical connections to the multiplexer.

Example: Setting Voltmeter Operation (NRDGS/DELAY/RANGE)

This program uses the NRDGS, DELAY, and RANGE commands to modify the settings made with CONF (refer to Table 4-5): NRDGS 5 changes the number of readings/trigger to 5; DELAY .01 , 1 changes the trigger delay to 10 msec and the sample period to 1 sec; and RANGE 9 sets the voltmeter to the 10.24V range for each channel measured. The program assumes that the maximum expected amplitude for channels 500 through 504 is 9 volts. From Table 4-7, setting RANGE 9 selects the 10.24V range.

```

10 DIM Volts(0:24)                                ! Dimension controller array
20 OUTPUT 709;"USE 600"                            ! Use voltmeter in mainframe slot 6
30 OUTPUT 709;"RST 600"                            ! Reset voltmeter
40 OUTPUT 709;"CONF DCV"                           ! Set DC volts
50 OUTPUT 709;"RANGE 9"                            ! Set 10.24V range
60 OUTPUT 709;"NRDGS 5"                            ! Set 5 readings/trigger
70 OUTPUT 709;"DELAY .01,1"                         ! Set 10 msec delay/1 sec period
80 OUTPUT 709;"MEAS DCV,500-504"                   ! Measure channels 500-504
90 ENTER 709;Volts(*)                              ! Enter 25 readings
100 PRINT USING "K,I";Volts(*)                     ! Display 25 readings
110 END

```

For a set of 5V 5% sources, typical return values (in volts) are:

```

4.9975
5.0025
.
.
5.0013

```

Setting Voltmeter Triggering

When CONFMEAS (or CONF followed by MEAS) is used, the voltmeter is automatically triggered as required by a trigger from the mainframe. However, you can use the TRIG command to trigger the voltmeter from one of eight sources. This subsection describes the TRIG command parameters and shows an example use of TRIG.

Setting Trigger Source/ Mode (TRIG)

TRIG [*source*] [USE *ch*] sets the source or mode to trigger the voltmeter, as shown in Table 4-8. Power-on *source* is HOLD (no trigger) and default *source* is SGL (single trigger). For System Mode, CONF (or the CONF phase of CONFMEAS) sets TRIG HOLD, while MEAS (or the MEAS phase of CONFMEAS) changes TRIG HOLD or TRIG INT to TRIG SCAN. A description of each TRIG *source* follows.

Table 4-8. TRIG source Parameters

Source	Definition
HOLD	No triggering. Triggering is held off.
SCAN	Trigger when multiplexer channel is closed.
SGL	Single trigger when TRIG SGL is executed, then set TRIG HOLD.*
INT	Voltmeter internal triggering (internal pacer).
SYS	System trigger pulse (used with TRG command).
EXT0	Trigger on input to the EXT0 port.
EXT1	Trigger on input to the EXT1 port.
MEAS	Trigger when input crosses threshold level.
GPIO	Trigger on input to GPIO port.

* = Cannot be used with MEAS, since MEAS sets TRIG HOLD to TRIG SCAN.

TRIG HOLD

When TRIG HOLD is set, triggering is held off (no trigger).

TRIG SCAN

With TRIG SCAN, the voltmeter is single triggered when a multiplexer channel is closed. TRIG SCAN is set by MEAS or the MEAS phase of CONFMEAS.

TRIG SGL

Use TRIG SGL for a single internal trigger which occurs when the command is executed.

TRIG INT

You can use TRIG INT, TRIG SGL, or TRIG MEAS to internally trigger the voltmeter. With TRIG INT, the pacer in the voltmeter generates internal triggers as required during the measurement scan.

TRIG SYS

TRIG SYS is used with the TRG command. The TRG command has four modes: HOLD, GET, EXT, and SGL. Note that TRIG SYS must be set for the voltmeter to respond to any trigger from the TRG source. Also, note that TRIG SYS/TRG SGL is not viable with MEAS. Refer to the HP 3852A Mainframe Configuration and Programming Manual for details on TRG.

TRIG EXT0/EXT1

You can also trigger the voltmeter with an external input to the EXTERNAL TRIGGER BNC port 0 (EXT0) or port 1 (EXT1) or to the GPIO port. With TRIG EXT0 or TRIG EXT1, a TTL-compatible pulse into the EXT0 or EXT1 port, respectively, triggers the voltmeter. For TRIG MEAS, EXT0, EXT1, or GPIO, the SLOPE command sets the direction (LH or HL) of the input which will trigger the voltmeter.

NOTE

For the EXT0 port (only), TRIGOUT OFF must be set to enable EXT0 to receive a trigger. If TRIGOUT ON is set, the EXT0 port outputs trigger signals and no TRIG source can be set to EXT0. Refer to Chapter 5 - Scanner Mode Measurements for examples using TRIGOUT.

TRIG MEAS

TRIG MEAS generates an internal trigger when the input to the voltmeter crosses a threshold level (percent of full-scale value) as set with the PERC command in the direction (HL or LH) set by the SLOPE command. Refer to "Measurements Not Using MEAS" for an example program using TRIG MEAS, PERC, and SLOPE.

TRIG GPIO

When TRIG GPIO is set, voltmeter triggering is via the GPIO port on the voltmeter rear panel. Refer to Chapter 7 - GPIO Operation for details on TRIG GPIO.

Setting Input Slope (SLOPE) For TRIG MEAS, TRIG EXT0, TRIG EXT1, or TRIG GPIO, the SLOPE *slope* [USE *ch*] command sets the edge (direction) of the input (LH or HL) which will generate the trigger. SLOPE LH sets low-to-high transitions (positive slope) while SLOPE HL sets high-to-low (negative slope) transitions.

Example: Setting Voltmeter Triggering This program enables EXT0 as the voltmeter trigger source and measures the voltage on channel 500 of an HP 44705A multiplexer in slot 5 of the mainframe. See Figure 3-2 for a typical connection diagram.

Example: Setting Voltmeter Triggering (TRIG/SLOPE)

In this program, SLOPE HL and TRIG EXT0 set the voltmeter to be triggered by a high-to-low pulse input to EXT0. (Note that TRIGOUT OFF is set at power-on or by a reset.)

```
10 OUTPUT 709;"USE 600"           / Use voltmeter in mainframe slot 6
20 OUTPUT 709;"RST 600"           / Reset the voltmeter
30 OUTPUT 709;"CONF DCV"         / Configure for DC volts
40 OUTPUT 709;"SLOPE HL"         / Trigger on high-to-low input to EXT0
50 OUTPUT 709;"TRIG EXT0"        / Select EXT0 as input source
60 OUTPUT 709;"MEAS DCV,500"     / Measure voltage on ch 500
70 ENTER 709;A                   / Enter reading
80 PRINT A                       / Display reading
90 END
```

For a 5V 5% source, a typical return (value in volts) is:

4.9925

Setting Scan Triggering

When MEAS is used, you can use the STRIG and SADV commands to set the source to start and advance the scan, respectively. Note that STRIG and SADV act to open and/or close multiplexer channels and are not voltmeter commands.

Setting Scan Trigger Source (STRIG)

When MEAS is used, STRIG source sets the trigger source which directs the mainframe to close the first channel in the channel list. Note that the source set by STRIG starts the scan sequence but the source set by SADV advances the scan sequence. Also note that STRIG is a mainframe command and is NOT a voltmeter command. Refer to Table 4-9 for STRIG source parameter descriptions. Power-on and reset source is STRIG SCAN.

Table 4-9. Mainframe Scan Trigger (STRIG) Sources

SCAN	Close first channel automatically at beginning of scan.
CHADV	Rear panel CHANNEL ADVANCE BNC pulse starts scan.
KEY	Front panel SADV KEY key (scan advance key) starts scan.
PACER	Pulse output from PACER OUT BNC starts scan.

Setting Scan Advance Source (SADV)

When MEAS is used, SADV source sets the trigger source to advance the scan sequence from channel to channel. Note that the source set by STRIG starts the scan sequence but the source selected by SADV advances the channel advance. Also note that SADV is a mainframe command and is NOT a voltmeter command. Refer to Table 4-10 for SADV source parameter descriptions. Power-on and reset source is SADV SCAN.

Table 4-10. Scan Advance (SADV) Sources

SCAN	Advance scan automatically as soon as number of readings set by CONF, CONFMEAS, or NRDGS have been taken and readings transferred. (CONF and CONFMEAS set one reading/trigger.)
CHADV	Advance scan when the number of readings set by CONF, CONFMEAS, or NRDGS have been taken and readings transferred and an input to the CHANNEL ADVANCE BNC port occurs.
KEY	Advance scan when the number of readings set by CONF, CONFMEAS, or NRDGS have been taken and readings transferred and the front panel SADV KEY key is pressed.
PACER	Advance scan when the number of readings set by CONF, CONFMEAS, or NRDGS have been taken and readings transferred and a pacer pulse occurs.

Example: Setting Scan Triggering

This example uses the system pacer and the STRIG and SADV commands to control scan start and scan advance for DC voltage measurements on channels 500 through 504 of an HP 44705A multiplexer. See Figure 3-2 for typical connections to the multiplexer.

Example: Setting Scan Triggering (STRIG/SADV)

This program scans channels 500 through 504 and makes three passes through the channel list (15 measurements total). To start the scan, press the front panel SADV KEY key. After a 1 second delay, the voltmeter measures channels 500 through 504 and halts. Press the SADV KEY key again to start the second pass and press the key a third time to start the third pass.

In the program, PACER 0.1 (line 70) sets the system pacer to continuously output pulses at 0.1 second intervals and PDELAY 1 (line 80) delays the first pulse 1 second after PTRIG SGL (line 90) activates the system pacer.

Note that although MEAS NSCAN 3 (line 100) sets three passes through the channel list, the SADV KEY key must be pressed to start the scan for EACH pass (of 5 readings).

```
10 DIM Volts(0:14)                ! Dimension controller array
20 OUTPUT 709;"USE 600"           ! Use voltmeter in slot 6
30 OUTPUT 709;"RST 600"          ! Reset the voltmeter
40 OUTPUT 709;"CONF DCV"         ! Set DC volts set SADV SCAN
50 OUTPUT 709;"STRIG KEY"        ! Start when SADV KEY key pressed
60 OUTPUT 709;"SADV PACER"       ! Set pacer pulses as ch adv source
70 OUTPUT 709;"PACER 0.1"        ! Set pacer pulses at .1 sec apart
80 OUTPUT 709;"PDELAY 1"         ! Delay 1st pacer pulse 1 sec
90 OUTPUT 709;"PTRIG SGL"        ! Send pacer trigger pulse
100 OUTPUT 709;"MEAS DCV,500-504,NSCAN 3"! Meas ch 500-504; make 3 passes
110 ENTER 709;Volts(*)           ! Enter 15 readings
120 PRINT USING "K,I";Volts(*)   ! Display 15 readings
130 END
```

For a set of 5V 5% sources, typical return (values in volts) are:

```
4.9975
4.9925
.
.
5.005
```

Measurements Not Using MEAS

All previous examples in this chapter have used the MEAS command to make the measurement and transfer the data. However, MEAS cannot be used for some applications.

When MEAS is not used, STRIG and SADV are not valid, temperature and strain conversions are not done, CLOSE and OPEN must be used to close and open multiplexer channels, and CHREAD or XRDGS must be used to read the data from the voltmeter buffer.

This section shows some ways to use System Mode low-level commands when MEAS is not used. Three measurement areas are discussed: low-level multiplexer measurements, rear panel measurements, and enabling interrupts.

Low-Level Multiplexer Measurements

This subsection shows how to use the OPEN, CLOSE, TRIG, and CHREAD commands to make low-level multiplexer measurements.

Controlling Multiplexer Channels (CLOSE/OPEN)

When MEAS is not used, you can use the CLOSE *ch_list* command to close channels in the channel list and use the OPEN *ch_list* command to open the channels in the channel list. Note that CLOSE and OPEN do NOT automatically set the tree switches and isolation relays, so these channels must also be specified. Refer to the appropriate multiplexer configuration and programming manual for channel definitions.

CAUTION

The CLOSE command does not close channels in a break-before-make fashion. Therefore, the command can and will cause damage to the multiplexer accessory (relay or FET) and external system if it is used to force one channel open by closing another. This applies to channels in the same bank, in separate banks tied together by the tree relays, and to the relays themselves.

Before a channel is closed with the CLOSE command, use the OPEN command to open the channel that is currently closed. This prevents any two channels from being closed at the same time and reduces the risk of damaging your equipment.

NOTE

CLOSE is a low-level command intended for individual switch control in special signal-routing applications. It is not the easiest way to do routine measurements since the tree switches and isolation relays are not automatically configured as with the high-level commands.

Transferring Readings (CHREAD)

When MEAS is not used, readings stored in the voltmeter buffer can be transferred to the mainframe memory or the output buffer and/or display one at a time with CHREAD *ch* [INTO *name*] or [*fmt*]. CHREAD with INTO *name* transfers data to mainframe memory into a variable or array previously defined with DIM, REAL, INTEGER, or PACKED. (Use VREAD to transfer data stored in mainframe memory to the output buffer and/or display.)

Use CHREAD *ch* [*fmt*] to transfer one reading from the voltmeter buffer to the output buffer/display in the format specified by *fmt*. If neither INTO *name* or *fmt* is used, data is returned in default format to where the command originated.

To transfer a reading, data must be stored in the voltmeter buffer and data must be available (as defined by RDGSMODE *mode*). If a reading is not available when CHREAD is executed, CHREAD waits until the reading is available and the mainframe remains busy.

NOTE

1. When CONFMEAS or MEAS is used, CHREAD is not required (and will not work) since these commands automatically transfer the data to the mainframe memory or output buffer/display as part of the command.
 2. Any programming commands except ENABLE INTR or DISABLE INTR clears the voltmeter buffer. This guarantees that any data returned by CHREAD (or XRDGS) reflects the current programmed state.
-

Example: Low-Level Multiplexer Measurements

This example shows how to use CLOSE and OPEN to control multiplexer channels and how to use CHREAD to transfer the data from channel measurements for an HP 44705A multiplexer. See Figure 3-2 for typical connections to the multiplexer.

Example: Low-Level Multiplexer Measurements (CLOSE/CHREAD)

This program measures the voltage on channels 500 and 501 of an HP 44705A multiplexer. Channel 500 is closed with CLOSE, the voltmeter is triggered with TRIG SGL, and the reading transferred to the controller and displayed. Then, channel 500 is opened with OPEN and the sequence is repeated for channel 501.

10 OUTPUT 709;"USE 600"	<i>! Use voltmeter in mainframe slot 6</i>
20 OUTPUT 709;"RST 600"	<i>! Reset voltmeter</i>
30 OUTPUT 709;"CONF DCV"	<i>! Select DC volts</i>
40 OUTPUT 709;"CLOSE 500,591"	<i>! Close ch 500, sense bus</i>
50 OUTPUT 709;"TRIG SGL"	<i>! Trigger the voltmeter</i>
60 OUTPUT 709;"CHREAD 600"	<i>! Read ch 500</i>
70 ENTER 709;A	<i>! Enter ch 500 reading</i>
80 PRINT A	<i>! Display ch 500 reading</i>
90 OUTPUT 709;"OPEN 500"	<i>! Open ch 500</i>
100 OUTPUT 709;"CLOSE 501"	<i>! Close ch 501</i>
110 OUTPUT 709;"TRIG SGL"	<i>! Trigger the voltmeter</i>
120 OUTPUT 709;"CHREAD 600"	<i>! Read ch 501</i>
130 ENTER 709;B	<i>! Enter ch 501 reading</i>
140 PRINT B	<i>! Display ch 501 reading</i>
150 OUTPUT 709;"OPEN 501"	<i>! Open ch 501</i>
160 END	

If 5V 5% sources are connected, typical return (values in volts) are:

5.0125

4.9975

Rear Panel Measurements

This subsection shows how to use the CONF and some low-level commands to make rear panel measurements for System Mode operation. (Only DC volts and 4-wire ohms are allowed for rear panel measurements).

Setting Input Terminals (TERM)

The TERM *terminal* command sets the input source to the voltmeter. TERM EXT sets the rear panel terminals. Note that the power-on mode is TERM EXT. However, if CONF is used with rear panel measurements, set TERM EXT since CONF sets TERM INT (Table 4-5).

Setting Input Threshold (PERC)

For TRIG MEAS, the voltmeter is triggered when the input signal reaches the percent of full-scale voltage set by PERC in the direction set by SLOPE. The range of PERC is -128% to +127% of the full-scale range (resolution 1%) when autoranging is not used. The power-on PERC *threshold* value is 0% of full-scale range.

If autoranging is used, the absolute trigger threshold value will change, based on the current range. Although the same percentage is used, since the full scale value is different for each range, a different absolute value results.

For example, with TRIG MEAS if the voltmeter is set for DC volts and the 10.24V range, PERC 67 sets $10.24 \times 0.67 = 6.86$ volts as the input signal level which will generate a trigger. SLOPE LH sets low-to-high transitions (positive slope) while SLOPE HL sets high-to-low transitions (negative slope).

Table 4-11 lists the minimum (-128%) and maximum (+127%) trigger thresholds allowable for the four voltmeter voltage ranges when autoranging is not used.

Table 4-11. PERC Threshold Levels

Range	Trigger Threshold	
	min(-128%)	max (+127%)
40 mV	-0.0512 V	+0.0508 V
320 mV	-0.41 V	+0.406 V
2.56 V	-3.28 V	+3.25 V
10.24 V	-13.1 V	+13.0 V

Setting Measurement Function (FUNC) *FUNC function [range] [USE ch]* selects a measurement function and a measurement range, where *function* selects the measurement function and *range* selects a measurement range or the autorange mode. Only DCV, OHMF10K, OHMF100K, or OHMF1M can be used for *function*.

To select the FUNC measurement range, specify the expected maximum signal amplitude or maximum resistance. The voltmeter then selects the correct range. To set autorange, use the word AUTO or the number 0 for *range*. Values for the FUNC [*range*] parameter are the same as for the RANGE [*range*] parameter shown in Table 4-7.

Setting Autozero Mode (AZERO) When CONF (or the CONF phase of CONFMEAS) is used, the voltmeter makes a single autozero measurement at the beginning of the measurement sequence. However, as required, you can also use AZERO ONCE to autozero the voltmeter.

Transferring Multiple Readings (XRDGS) When CONFMEAS or MEAS is not used, use XRDGS *ch [number] [INTO name]* or [*fmt*] to transfer multiple readings to the mainframe memory or to the output buffer/display. XRDGS with INTO *name* transfers data to the mainframe memory, while XRDGS without INTO *name* transfers data to the output buffer and/or display. (Use VREAD to read data from mainframe memory to the output buffer and/or display.)

XRDGS *ch [number] [fmt]* transfers multiple readings to the output buffer/display in the format specified by *fmt*, where *number* is the number of readings to be transferred. The range of *number* is 1 to 2147483647.

If *number* is specified, XRDGS transfers any reading which is available until the specified number of readings have been transferred. If *number* is not specified, the mainframe waits until all readings after a trigger are taken, determines how many readings are stored, and then transfers all readings.

For example, XRDGS 600,100 transfers 100 readings from a voltmeter in slot 6 of the mainframe to the output buffer/display (one at a time) as the readings become available. However, XRDGS 600 (*number* not specified) waits until all readings are available, determines the number of readings, and then transfers all readings.

NOTE

1. When CONFMEAS or MEAS is used, XRDGS is not required (and will not work) to transfer data from the voltmeter buffer to mainframe memory or output buffer/display since these commands automatically do this as part of the command sequence.

2. Any Programming command except ENABLE INTR or DISABLE INTR clears the voltmeter buffer. This guarantees that any data returned by XRDGS (or CHREAD) reflects the current programmed state.

3. Potential Mainframe/Controller Deadlock. With INBUF OFF, the controller and the HP 3852A may deadlock if multiple commands are sent in a single command line and a command generates enough data to fill the output buffer (XRDGS can fill the output buffer).

The best way to avoid potential deadlock is to send a single command per command line and read the results as soon as possible after the data-generating command is sent. Refer to Chapter 5 in the HP 3852A Mainframe Configuration and Programming Manual for details on potential deadlock.

Example: Rear Panel Measurements

The following example program makes 10 measurements of a ramp-type input to the voltmeter rear panel terminals when the input crosses 5.12 V in the high-to-low (negative) direction. See Figure 3-4 for typical connections to the rear panel terminals.

Example: Rear Panel Measurements (FUNC/PERC/XRDGS)

In this program, RANGE DCV, 10 sets DC voltage measurements on the 10.24V range so PERC 50 sets 50% of 10.24 = 5.12 V as the threshold which will trigger the voltmeter. The voltmeter will be triggered when the input crosses 5.12 V in the high-to-low (negative) direction and will take 10 measurements at 0.1 sec intervals. Since XRDGS *number* is not specified, all 10 readings are stored and then transferred by the XRDGS command.

10 DIM Volts(0:9)	<i>! Dimension controller array</i>
20 OUTPUT 709;"USE 600"	<i>! Use voltmeter in mainframe slot 6</i>
30 OUTPUT 709;"RST 600"	<i>! test the voltmeter"</i>
40 OUTPUT 709;"FUNC DCV, 10"	<i>! Set DCV, 10,24V range</i>
50 OUTPUT 709;"TERM EXT"	<i>! Set rear terminals as input</i>
60 OUTPUT 709;"NRDGS 10"	<i>! Take 10 readings</i>
70 OUTPUT 709;"DELAY 0,.1"	<i>! Take readings @ 0.1 sec intervals</i>
80 OUTPUT 709;"AZERO ONCE"	<i>! Make autozero measurement</i>
90 OUTPUT 709;"PERC 50"	<i>! Trigger when input is 5.12V</i>
100 OUTPUT 709;"SLOPE HL"	<i>! Trigger on high-to-low transition</i>
110 OUTPUT 709;"TRIG MEAS"	<i>! Trigger when threshold reached</i>
120 OUTPUT 709;"XRDGS 600"	<i>! Transfer 10 readings to output buffer</i>
130 ENTER 709;Volts(*)	<i>! Enter 10 readings</i>
140 PRINT USING "K,^";Volts(*)	<i>! Display 10 readings</i>
150 END	

A typical return for a decreasing ramp input (values in volts) follows.

```

5.1125
5.1075
4.99
.
.
3.98

```

Enabling Interrupts

This subsection shows how to enable the voltmeter to interrupt on data available and shows example ways to service the interrupt in an HP Series 200/300 controller. It describes the commands to set readings destination, (RDGS), to set the readings storage mode (RDGSMODE), and to enable interrupts (ENABLE INTR).

Setting Readings Destination (RDGS)

The destination for readings stored in the voltmeter buffer and for voltmeter interrupts is set with `RDGS dest [USE ch]`. `SYS` sets the mainframe as the destination, while `RDGS GPIO` sets the GPIO port. Power-on and default mode is `RDGS SYS`.

With `RDGS SYS`, measurement data is sent to mainframe memory or to the output buffer/display as specified by a read command (`CHREAD`, `CONFMEAS`, `MEAS`, or `XRDGS`). Note that with `RDGS GPIO`, `CHREAD` and `XRDGS` are not allowed and that interrupts are sent **ONLY** to the destination set by `RDGS`. Refer to Chapter 7 - GPIO Operation for details on `RDGS GPIO`.

Setting Readings Storage Mode (RDGSMODE) All measurements made by the voltmeter are first stored in the voltmeter buffer (memory) and remain in the buffer until read by a CONFMEAS, MEAS, CHREAD, or XRDGS command (when RDGS SYS is set) or when destroyed by most other commands. Data stored in the voltmeter buffer can be read only on a "data available" condition, as defined by the RDGSMODE command.

RDGSMODE has four modes (DAV, BURST, END, and COMPLETE) and sets both data and interrupt conditions for the voltmeter, as described in the following paragraphs and summarized in Table 4-12.

RDGSMODE DAV

Measurements are available when any reading is in the buffer and measurement data is not overwritten. If the buffer fills, the scan is aborted but data in the buffer when it fills remains valid and is readable.

If an interrupt is enabled with ENABLE INTR, an interrupt is generated whenever there are any measurements in the buffer. DISABLE INTR disables and may clear the interrupt. (DISABLE INTR is done implicitly by the mainframe as part of the servicing routine).

RDGSMODE BURST

Measurements are available when the data buffer has room for only 4096 more readings or at the end of the scan. Measurement data is not overwritten and the scan sequence is aborted if the buffer fills. However, data already in the buffer when it fills remains valid and is readable.

If enabled, an interrupt is generated when the buffer has room for only 4096 more readings or at the end of NRDGS readings. DISABLE INTR disables the interrupt. If the scan sequence is still in progress and the buffer has room for more than 4096 readings (due to a read by CHREAD or XRDGS), DISABLE INTR will also clear the interrupt. (DISABLE INTR is done implicitly by the mainframe as part of the interrupt service).

RDGSMODE END

Measurements are available immediately (when any reading is in the buffer) and data is not overwritten. The scan sequence is aborted if the buffer fills but data in the buffer when it fills remains valid and is readable.

An interrupt, if enabled, is generated ONLY at the end of NRDGS readings after a trigger. DISABLE INTR disables and clears the interrupt. (DISABLE INTR is done implicitly by the mainframe as part of the interrupt service).

RDGSMODE COMPLETE

Data is available ONLY at the end of the scan and data will be overwritten. Interrupts, when enabled, are generated ONLY at the end of NRDGS readings after a trigger. DISABLE INTR disables and clears the interrupt. (DISABLE INTR is done implicitly by the mainframe as part of the interrupt service).

NOTE

For an HP 44702A voltmeter, setting NRDGS 8192 with RDGSMODE COMPLETE results in having only the last 8192 readings available.

Table 4-12. RDGSMODE Data/Interrupt Conditions

Mode	Measurement Data			Interrupts [1]	
	Data Available	Data Over-write?	Scan Aborts?	When Generated	Intr Cleared by DISABLE INTR? [2]
DAV	When any reading is in the buffer	No	Yes - when buffer fills	When any reading is in buffer	May [3]
BURST	Buffer is 4096 rdgs from full -or- scan ends	No	Yes - when buffer fills	Buffer is 4096 rdgs from full -or- NRDGS rdgs after trig	May [4]
END	When any reading is in buffer	No	Yes - when buffer fills	At end of NRDGS rdgs after trig	Yes
COMPLETE	At end of scan ONLY	Yes	No	At end of NRDGS rdgs after trig	Yes

Notes:
 [1] = Assumes interrupt enabled by ENABLE INTR.
 [2] = DISABLE INTR done by mainframe as part of interrupt service.
 [3] = If no readings are left in the buffer.
 [4] = If scan still in progress or if buffer has room for more than 4096 readings (due to read by CHREAD or XRDGS)

Setting Interrupts (ENABLE INTR)

At power-on or when MEAS or CONFMEAS is used, voltmeter interrupts are disabled. However, you can enable interrupts by using the ENABLE INTR command. When enabled, the voltmeter generates an interrupt when data is available (as defined by RDGSMODE).

NOTE

- 1. Voltmeter interrupts are always serviced by the mainframe, but can be handled by the mainframe or by the controller. Use `DISABLE INTR` to disable the voltmeter from interrupting*
 - 2. The `RDGSMODE` command must be set before the interrupt is enabled. You can use the `INTR?` command to query the status of interrupts. `INTER?` returns the address of the last channel whose interrupt was serviced. If no interrupt has been serviced since power-on or following a system reset, -1 is returned.*
-

Handle Interrupt in Mainframe (ENABLE INTR)

To service and handle a voltmeter interrupt in the mainframe, use `ON INTR CALL name` where *name* is the name of the servicing subroutine. When `ON INTR CALL name` is executed (as a result of the interrupt), the interrupt is disabled. Table 4-13 shows a typical sequence of commands to service and handle a voltmeter interrupt in the mainframe.

Table 4-13. Mainframe Interrupt Handling Commands

Command	Description
<code>SUB name</code>	Set up servicing subroutine name in mainframe.
<code>sub commands</code>	Define subroutine servicing action.
<code>SUBEND</code>	End subroutine.
<code>USE ch</code>	Set which voltmeter is to interrupt.
<code>ON INTR CALL name</code>	call servicing subroutine name on interrupt.
<code>ENABLE INTR SYS</code>	Enable mainframe to recognize voltmeter interrupt.
<code>ENABLE INTR</code>	Enable voltmeter to interrupt.

Handle Interrupt in Controller (ENABLE INTR)

Interrupts can also be serviced in the mainframe but handled by the controller. Table 4-14 shows a typical set of commands to service a voltmeter interrupt in the mainframe and handle the interrupt in an HP Series 200/300 or equivalent controller.

Table 4-14. Controller Interrupt Handling Commands

Command	Description
Controller Commands	
ON INTR 7 GOSUB Name -or- CALL Name -or- GOTO Name	Call servicing subroutine name on interrupt.
ENABLE INTR 7;2 Name: I subroutine commands* SPOLL(709) RETURN	Enable interface Start controller subroutine Define subroutine actions Serial Poll - clears SRQ bit End controller subroutine
HP 3852A Commands	
USE ch	Set which voltmeter is to interrupt.
RQS INTR (or RQS 512)	Enable RQS Mask Register INTR bit.
RQS ON	Set RQS Mode ON.
ENABLE INTR SYS	Enable mainframe to recognize voltmeter interrupt.
ENABLE INTR	Enable voltmeter to interrupt on data available.
STA?	Clear Status Register FPS, LCL, INTR, LMT, ALRM bits,
CLROUT	Clear output buffer.
Configuration commands	Set voltmeter configuration for measurement.

Example: Enabling Interrupts

This program samples an input waveform and enables a voltmeter in slot 6 of the mainframe to interrupt when the voltage input to channel 500 of an HP 44705A multiplexer crosses 3.072 V in the positive (low-to-high) direction. The resulting data can be used to digitize the input waveform.

Example: Digitizing a Waveform (ENABLE INTR)

In the following program, when the interrupt occurs, the voltmeter makes 10 measurements at 0.5 second intervals and returns the result to the controller. The interrupt is serviced in controller subroutine Results. See Figure 3-4 for typical connections to the multiplexer.

In the program, CONF sets RDGSMODE DAV which makes measurements available immediately. The STA? command reads the Status Register and clears the FPS, LCL, INTR, LMT, and ALRM bits and CLROUT clears the output buffer. The SPOLL command clears the Status Register service request bit (SRQ bit).

10 DIM B(0:9)	<i>! Dimension controller array</i>
20 ON INTR 7 GOTO Results	<i>! Call sub Results on interrupt</i>
30 ENABLE INTR 7;2	<i>! Enable controller intr on SRQ</i>
40 OUTPUT 709;"USE 600"	<i>! Use voltmeter in mainframe slot 6</i>
50 OUTPUT 709;"RST 600"	<i>! Reset the voltmeter</i>
60 OUTPUT 709;"RQS ON"	<i>! Set RQS mode ON</i>
70 OUTPUT 709;"RQS INTR"	<i>! Enable RQS Mask Reg INTR bit</i>
80 OUTPUT 709;"STA?"	<i>! Clear FPS, LCL, INTR, LMT, ALRM bits</i>
90 OUTPUT 709;"CLROUT"	<i>! Clear output buffer</i>
100 OUTPUT 709;"CONF DCV"	<i>! Configure for DC volts</i>
110 OUTPUT 709;"CLOSE 500,591"	<i>! Close ch 500, sense bus</i>
120 OUTPUT 709;"RANGE 9"	<i>! Set 10.24V range</i>
130 OUTPUT 709;"NRDGS 10"	<i>! Take 10 readings after interrupt</i>
140 OUTPUT 709;"DELAY 0,,5"	<i>! Take readings at 0.5 sec intervals</i>
150 OUTPUT 709;"PERC 30"	<i>! Trigger when input crosses 3.072V</i>
160 OUTPUT 709;"ENABLE INTR"	<i>! Enable voltmeter intr capability</i>
170 OUTPUT 709;"ENABLE INTR SYS"	<i>! Enable mainframe intr capability</i>
180 OUTPUT 709;"TRIG MEAS"	<i>! Trigger on input threshold</i>
190 GOTO 190	<i>! Loop until interrupt occurs</i>
200 Results: !	<i>! Start controller subroutine</i>
210 OUTPUT 709;"TIME"	<i>! Query time of day</i>
220 ENTER 709;T	<i>! Enter time of day</i>
230 PRINT "Ch 500 Intr @ ";TIME\$(T)	<i>! Print interrupt time/message</i>
240 OUTPUT 709;"XRDGS 600,10"	<i>! Read ch 500 voltages</i>
250 ENTER 709;B(*)	<i>! Enter voltages</i>
260 PRINT "Ch 500 Voltages"	<i>! Display header</i>
270 PRINT USING "K,/" ;B(*)	<i>! Display voltages</i>
280 A = SPOLL 1709)	<i>! Read/Clear SRQ bit</i>
290 OUTPUT 709;"OPEN 500"	<i>! Open ch 500</i>
300 STOP	<i>! End controller subroutine</i>
310 END	

When the interrupt occurs (input voltage $\geq 3.072V$), the voltmeter takes 10 measurements separated by 0.5 sec intervals. These measurements can be used to digitize the waveform for the 5 second interval following the interrupt. A typical return for an increasing ramp-type function (voltage value in volts) follows.

```
Ch 500 Intr @ 02:46:50
Ch 500 Voltages
3.2375, 3.8725, 4.4, 4.88, 5.34, 5.675, 6.175, 6.64, 6.87, 6.95
```

System Mode Command Summary

Table 4-15 summarizes System Mode commands alphabetically, divided by high-level and low-level commands. High-level commands (CONF, CONFMEAS, MEAS and MONMEAS) perform a series of operations and (when scanning) provide additional measurement functions such as temperature or strain conversions. Low-level commands perform single operations such as changing ranges or transferring readings.

Table 4-15. System Mode Command Summary

High-Level Commands

CONF *function* [USE *ch*]

Configure the voltmeter measurement function (DCV, OHMF, etc.) and preset values for other functions (autozero, range, etc.).

CONFMEAS *function ch-list* [NSCAN *number*] [USE *ch*] [INTO *name*] or [*fmt*]

Configure the voltmeter function, scan, and measure. CONFMEAS is equivalent to CONF followed immediately by MEAS. CONFMEAS is used for multiplexer measurements. NSCAN *number* is valid only for mainframe firmware revision 2.2 and greater.

MEAS *function ch_list* [NSCAN *number*] [USE *ch*] [INTO *name*] or [*fmt*]

Set the voltmeter measurement function and initiate a scan and measurement of multiplexer channels specified by *ch_list*. NSCAN *number* is valid only for mainframe firmware revision 2.2 and greater.

MONMEAS *function ch_list* [USE *ch*]

Select voltmeter measurement function, measure, and display. MONMEAS selects the voltmeter function, then causes the voltmeter to measure the first channel in the channel list and display the results on the display. The measurement sequence is advanced to the next channel in the list when the front panel SADV KEY key is pressed.

Low-Level Commands

ARMODE *mode* [USE *ch*]

Sets the autorange mode (BEFORE or AFTER). For ARMODE AFTER (power-on) when autoranging is enabled the voltmeter autoranges after a trigger is received and then takes the reading for each measurement.

AZERO [*mode*] [USE *ch*]

Autozero the voltmeter. AZERO ONCE is the only available mode for the voltmeter.

CAL

Service-related command. Refer to the HP 3852A Assembly Level Service Manual.

Table 4-15. System Mode Command Summary

CHREAD *ch* [INTO *name*] or [*fmt*]

Transfer a single reading stored in the voltmeter buffer to the mainframe memory or to the output buffer and/or display. The voltmeter must have been triggered and data must be available before CHREAD will return a reading.

DELAY *trig_delay* [*sample_period*] [USE *ch*]

Sets the delay between the voltmeter trigger and the start of the channel measurement (trigger delay) and sets the delay between the start of measurements (sample period) when the voltmeter is in System Mode. DELAY *trig_delay* sets the trigger delay (0 to 0.01638375 sec) and DELAY *sample_period* (0 to 1073,741823 sec) sets the sample period.

DISABLE INTR [USE *ch*]

Prevents the voltmeter from generating an interrupt when data is available (as defined by RDGSMODE).

ENABLE INTR [USE *ch*]

Enables the voltmeter to generate an interrupt when data is available (as defined by RDGSMODE). The interrupt can be serviced and handled by the mainframe or serviced by the mainframe and handled by the controller.

FILTER *mode* [USE *ch*] (HP 44704A only)

Enables (*mode ON*), or disables (*mode OFF*) the HP 44704A's low-pass input filter.

FUNC *function* [*range*] [USE *ch*]

Sets the measurement function and range. The *function* parameter can be set only for DC voltage or 4-wire ohms measurements. The *range* parameter can be set to one of four ranges or to autorange (AUTO). See Chapter 6 for controlling range while in 16 bit resolution mode (HP 44704A only).

ID? [*slot*]

Returns the identity of the accessory in the slot addressed by *slot*. An HP 44702A returns 44702A

INTR? [INTO *name*] or [*fmt*]

Returns the address of the last channel whose interrupt was serviced. If no interrupt has been serviced since power-on or following a system reset, -1 is returned.

NRDGS *number* [USE *ch*]

Sets the number of readings/trigger for each channel in the channel list. The range of *number* is 1 to 65535. For the HP 44702A, setting NRDGS 8192 can cause a variable number of readings to be taken with no error given.

PERC *threshold* [USE *ch*]

For TRIG MEAS only, PERC sets the level of the input (in the direction set by SLOPE) which will cause the voltmeter to be triggered.

RANGE [*range*] [USE *ch*]

Sets the voltmeter measurement range or enables the autorange mode. See Chapter 6 for controlling range while in 16 bit resolution mode (HP 44704A only).

Table 4-15. System Mode Command Summary

RDGS *dest* [USE *ch*]

Sets the mainframe or the GPIO port as the destination for readings stored in the voltmeter buffer memory. RDGS SYS sets the mainframe, RDGS GPIO sets the GPIO port.

RDGSMODE *mode* [USE *ch*]

Sets the voltmeter reading storage mode and specifies when data can be read from the voltmeter buffer (data available). Also specifies whether or not data in the memory will be overwritten by new data. Valid *modes* are DAV, BURST, END, and COMPLETE.

RESOL *resolution* (HP 44704A only)

Sets HP 44704A resolution. *resolution* can be 13, 14, or 16. For RESOL 16, the voltmeter must not be in autorange mode or an error will be generated. See Chapter 6 for details on 16 bit resolution mode.

SADV *source*

When MEAS is used, sets the source to advance the scan sequence as defined by *source*.

SCANMODE *mode* [USE *ch*]

Sets the voltmeter operating mode. SCANMODE OFF, power-on, reset (RST or RST *slot*), CONF, or CONFMEAS sets System Mode operation. The SCANMODE setting is not changed by the high-level commands.

SLOPE *mode* [USE *ch*]

For TRIG EXT0, TRIG EXT1, TRIG MEAS, or TRIG GPIO, SLOPE sets the edge (LH or HL) of the input which will generate a voltmeter trigger. For TRIG MEAS only, SLOPE sets the edge of the input which will trigger the voltmeter when the input crossed the threshold set by PERC.

STRIG *source*

When MEAS is used, sets the source to start the scan sequence as defined by *source*. Valid *source* parameters are SCAN, CHADV, KEY, and PACER.

TERM *terminal* [USE *ch*]

Selects the voltmeter input terminals. TERM INT selects the mainframe backplane and TERM EXT selects the rear panel terminals.

TRIG [*source*] [USE *ch*]

For System Mode (only), TRIG sets the source or mode for the trigger. The power-on *source* is HOLD (no trigger) and the default *source* is SGL (single trigger from source).

TRIGOUT [*mode*] [USE *ch*]

Sets whether EXT0 will output triggers or be enabled to receive triggers. With TRIGOUT OFF, EXT0 can receive triggers. With TRIGOUT ON, EXT0 outputs measurement triggers (not triggers as defined by TRIG).

USE *ch*

Specifies the slot to be used for voltmeter commands.

USE? [INTO *name*] or [*fmt*]

Returns the current USEd channel (or slot) address last set by the USE command.

Table 4-15. System Mode Command Summary

XRDGS *ch* [*number*] [*INTO name*] or [*fmt*]

Transfers the number of readings specified by *number* from the voltmeter buffer to the mainframe memory or to the output buffer and/or display. Default *number* = 1.

Chapter 5
Scanner Mode Programming

Contents

Introduction	5-1	Number of Prescans (PRESCAN)	5-49
Chapter Contents	5-1	Number of Postscans (POSTSCAN)	5-50
Scanner Mode Measurements	5-2	Number of Readings (NRDGS)	5-50
Getting Started	5-4	Example: Setting Number of Readings	5-51
Measurements Using CONFMEAS	5-6	Selecting Voltmeter Triggering	5-52
CONFMEAS Programming	5-6	Triggering Overview	5-53
CONFMEAS Command	5-6	Voltmeter Trigger Operation	5-53
CONFMEAS Operation	5-10	Voltmeter Trigger Sources	5-55
CONFMEAS Programming Sequence	5-10	Setting Scan Triggering	5-56
CONFMEAS Measurement Examples	5-11	Scan Trigger Source (SCTRIG)	5-56
Example: DC Voltage Measurements	5-12	Scan Trigger Slope (SCSLOPE)	5-59
Example: Resistance Measurements	5-12	Scan Trigger Threshold (PERC)	5-59
Example: Temperature Measurements	5-12	Scan Trigger Delay (SCDELAY)	5-60
Example: Reference Temperature		Autoscan Mode (ASCAN)	5-61
Measurement	5-13	Example: Setting Scan Triggering	5-63
Measurements Using CONF and MEAS	5-13	Setting Measure Triggering	5-64
Programming Overview	5-14	Measure Trigger Source (TRIG)	5-65
CONF and MEAS Overview	5-16	Measure Trigger Slope (SLOPE)	5-66
CONF and MEAS Operation	5-16	Measure Trigger Timing (SPER)	5-66
CONF and MEAS Commands	5-18	EXT0 Port Triggering (TRIGOUT)	5-68
Low-Level Commands	5-21	Example: Setting Measure Trigger	5-70
Selecting Voltmeter Configuration	5-22	Setting Stop Triggering	5-71
Setting Known State	5-23	Stop Trigger Source (STTRIG)	5-71
Setting Function/Range	5-23	Stop Trigger Slope (STSLOPE)	5-73
Setting Readings	5-24	Stop Trigger Threshold (PERC)	5-73
Example: Setting Voltmeter Configuration	5-25	Example: Setting Stop Trigger	5-75
Selecting Voltmeter Triggering	5-26	Selecting Data Transfers/ Interrupts	5-77
Setting Scan Trigger	5-27	Setting Data Destination/Storage	5-78
Setting Measure Trigger	5-29	Readings Destination (RDGS)	5-78
Example: Setting Voltmeter Triggering	5-30	Readings Storage Mode (RDGSMODE)	5-78
Measurements Using CONF and Low-Level		Transferring Readings	5-80
Commands	5-31	Transfer Single Reading (CHREAD)	5-81
Programming Overview	5-32	Transfer Multiple Readings (XRDGS)	5-81
Scanner Mode Overview	5-34	Setting Interrupts	5-82
Voltmeter Architecture	5-34	Enabling Interrupts (ENABLE INTR)	5-82
Voltmeter Operation	5-36	Disabling Interrupts (DISABLE INTR)	5-84
CONF Preset Values	5-39	Example: Setting Voltmeter Interrupts	5-84
Low-Level Commands	5-40	Measurement Examples	5-86
Selecting Voltmeter Configurations	5-41	Digitizing Waveforms	5-86
Setting Known state	5-41	Example: Capture of a "Window" of Data	5-87
Voltmeter Slot (USE)	5-41	Example: Digitize a Waveform	5-88
Set Scanner Mode (SCANMODE)	5-41	Example: Graphing a Waveform	5-90
Configure Voltmeter (CONF)	5-42	High-Speed Data Transfers	5-91
Setting Operating Parameter	5-42	Example: Transfer Data to Mainframe	5-91
Input Terminals (TERM)	5-42	Example: Transfer Data to Controller	5-92
Autozero (AZERO)	5-42	Example: Rear Panel Measurements	5-94
Voltmeter Function (FUNC)	5-42	Special Applications	5-96
Setting Range/ Channel Lists	5-43	Example: Continuous Data Acquisition	5-96
Voltmeter Range (RANGE)	5-43	Example: Synchronize Multiple	
Autorange Mode (ARMODE)	5-43	Voltsmeters	5-101
Channel/Range Lists (CLWRITE)	5-46	Example: 60 Hz Noise Rejection	5-104
Example: Setting Channel/Range Lists	5-48	Scanner Mode Command Summary	5-107
Setting Number of Readings	5-49		

Scanner Mode Programming

Introduction

This chapter shows how to program the voltmeter for Scanner Mode (SCANMODE ON) ribbon cable measurements. Refer to Chapter 4 - System Mode Programming for System Mode (SCANMODE OFF) measurements. The chapter does not include GPIO operation (RDGS GPIO is set). Refer to Chapter 7 - GPIO Operation for GPIO measurements.

NOTE

This chapter applies directly to the HP 44702A/B, and HP 44704A in 13 and 14 bit resolution modes. The fundamentals covered here also apply to the HP 44704A in 16 bit resolution mode, but some differences exist. These are covered in Chapter 6 - The HP 44704A in 16 Bit Mode.

Chapter Contents

This chapter has six sections:

- **Introduction** lists the chapter contents, summarizes types of Scanner Mode measurements, and shows a suggested getting started sequence.
- **Measurements Using CONFMEAS** shows how to make Scanner Mode ribbon cable measurements using the CONFMEAS command. CONFMEAS configures the voltmeter and takes the measurement with a single command, so this is the easiest way to make Scanner Mode ribbon cable measurements. However, CONFMEAS presets the voltmeter so there is no programming flexibility. In addition, CONFMEAS cannot be used for high-speed measurements.
- **Measurements Using CONF and MEAS** shows how to make Scanner Mode ribbon cable measurements using the CONF and MEAS commands along with some low-level commands. Using CONF and MEAS along with low-level commands allows increased programming flexibility, but does not offer the capabilities of using CONF and low-level commands.

- **Measurements Using CONF and Low-Level Commands** shows how to use CONF and low-level commands to make Scanner Mode ribbon cable measurements. With low-level commands, you can make full use of the voltmeter capabilities and can make measurements at rates up to 100,000 readings per second.
- **Measurement Examples** contains typical measurement applications for the voltmeter, including digitizing waveforms, high-speed data transfers, and special applications. You may want to refer to this section when reading the "Measurements Using CONF and Low-Level Commands" section.
- **Scanner Mode Command Summary** is an alphabetical summary of Scanner Mode low-level commands.

Scanner Mode Measurements

With Scanner Mode operation you can program the voltmeter for ribbon cable, backplane, or rear panel measurements or you can make field wiring checks. Figure 5-1 summarizes Scanner Mode measurements and shows the programming methods which can be used to program the voltmeter.

For example, for Scanner Mode ribbon cable measurements the voltmeter can be programmed using the CONFMEAS command; using CONF, low-level, and MEAS commands; or using CONF, low-level, and CHREAD or XRDGS commands.

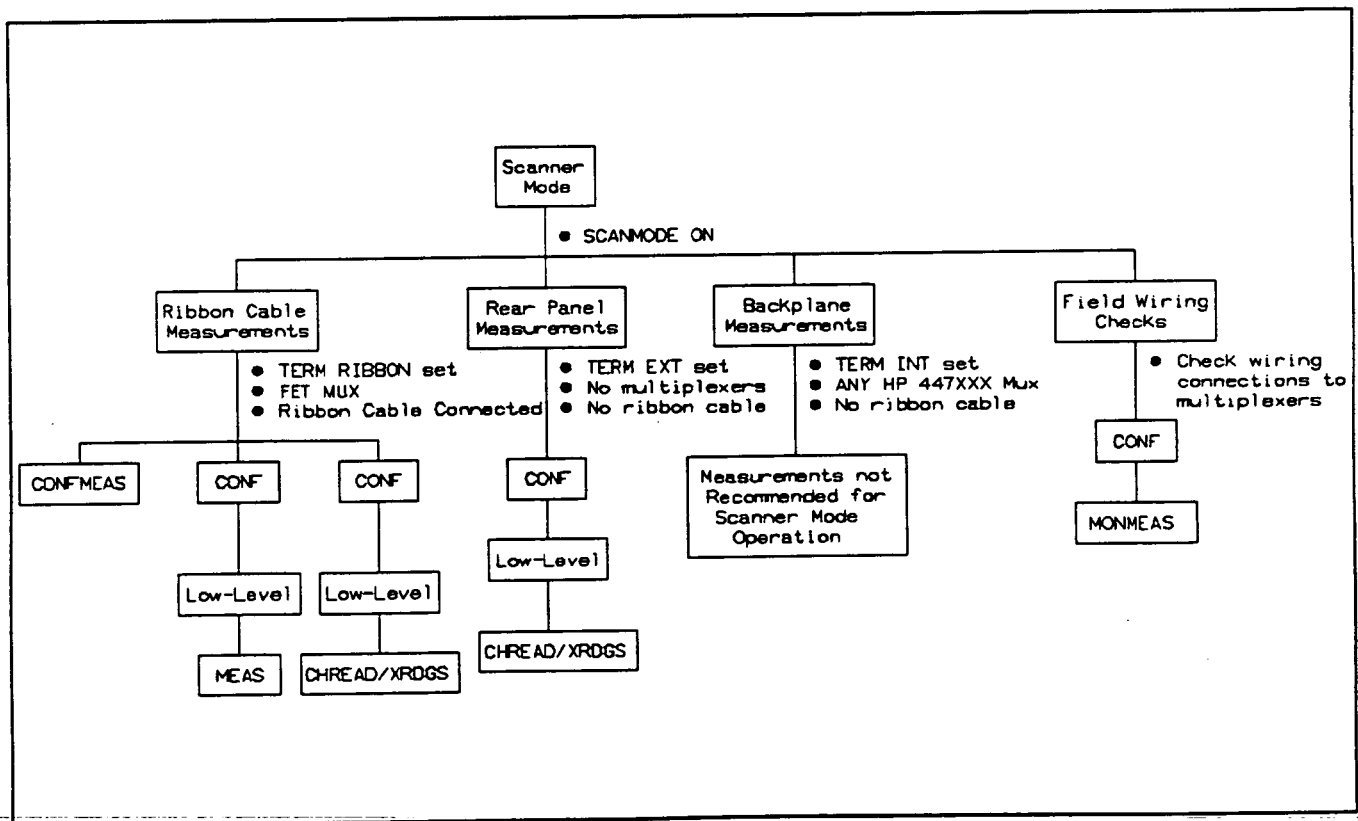


Figure 5-1. Scanner Mode Measurements

NOTE

Although backplane measurements can be made for Scanner Mode operation, backplane measurements are not recommended and are not discussed in this chapter. Unless otherwise indicated, all discussion and measurement examples are for ribbon cable (TERM RIBBON) operation.

Ribbon Cable Measurements

In Scanner Mode, all features of the voltmeter are available to the user. In addition, with ribbon cable measurements the voltmeter is capable of “stand-alone” scanning over the dedicated ribbon cable and measurement speeds up to 100,000 readings/second (single-channel and channel-to-channel) are Possible.

Measurement results can be transferred to the mainframe at rates up to 90,000 readings/second, to an HP Series 200/300 controller via HP-IB at rates up to about 35,000 readings/sec or to an HP Series 200/300 controller via GPIO at rates up to 100,000 readings/second. Thus, ribbon cable measurements are ideal for applications such as capturing a “window” of data or digitizing a waveform.

To make ribbon cable measurements HP 44711A/B, 44712A, or 44713A/B multiplexer(s) must be used, the dedicated ribbon cable must be connected between the multiplexer(s) and the voltmeter, and the ribbon cable must be specified as the voltmeter input (with TERM RIBBON).

As noted, three programming methods are available for ribbon cable measurements: (1) use the CONFMEAS command; (2) use CONF, low-level commands, and MEAS; or (3) use CONF, low-level commands, and CHREAD/XRDGS. The method to use depends on your measurement requirements.

Rear Panel Measurements

For rear panel measurements, the input is to the voltmeter rear panel terminals, so TERM EXT must be set. You can make Scanner Mode rear panel measurements using CONF and/or low-level commands.

Backplane Measurements

For backplane measurements, the user signal is input to any HP 447XXX multiplexer and is sent to the voltmeter via the mainframe backplane. For Scanner Mode backplane measurements, TERM INT must be set and ribbon cable(s) must NOT be connected between HP 44711A/B, HP 44712A, or HP 44713A/B multiplexers and the voltmeter.

You can make backplane measurements using CONF and MEAS along with low-level commands or use CONF and/or low-level commands (not using MEAS). However, as noted, backplane measurements are not recommended and will not be discussed in this chapter.

Field Wiring Checks

You can also use MONMEAS to make field wiring checks of inputs connected to multiplexers. To make field wiring checks, first refer to the MONMEAS command in the HP 3852A Command Reference Manual for MONMEAS operation. Then, refer to Chapter 3 - Installation and Checkout for an example program.

Getting Started

As noted, this chapter shows how to make Scanner Mode ribbon cable measurements with one of three programming methods: using CONFMEAS; using CONF and MEAS; or using CONF and low-level commands. The chapter contains three sections which correspond to these programming methods: "Measurements Using CONFMEAS", "Measurements Using CONF and MEAS", and "Measurements Using CONF and Low-Level Commands".

To get started programming the voltmeter for your measurement, first determine your measurement requirements (refer to Chapter 2 - Defining Your Measurement for guidelines). Then, use the guidelines shown in Table 5-1 to find the chapter section to use to program the voltmeter for your measurement.

If your measurement can be made using CONFMEAS, refer to "Measurements Using CONFMEAS". If your measurement can be made using CONF and MEAS, first refer to "Measurements Using CONFMEAS" and then to "Measurements Using CONF and MEAS". If your measurement requires using low-level commands, first refer to "Measurements Using CONFMEAS" and then to "Measurements Using CONF and Low-Level Commands". A summary of the three programming methods follows.

NOTE

Even if your measurement cannot be made with CONFMEAS, we recommend you first read "Measurements Using CONFMEAS" to become familiar with general Scanner Mode operation before reading "Measurements Using CONF and MEAS" or "Measurements Using CONF and Low-Level Commands".

Table 5-1. Scanner Mode Programming Guidelines

<p>Measurements Using CONFMEAS</p> <ul style="list-style-type: none">Easiest programmingPreset operationOne reading per channelLow-Speed (≤ 1000 readings/sec)No interruptsHP-IB operation/mainframe memory onlyRibbon cable mode
<p>Measurements Using CONF and MEAS</p> <ul style="list-style-type: none">Increased programming flexibilityCan change some presetsMultiple readings per channelHigh-speed measurements [1]No interrupts [2]Mainframe HP-IB or GPIO operationRibbon cable or backplane measurements
<p>Measurements Using CONF and Low-Level Commands</p> <ul style="list-style-type: none">Maximum programming flexibilityCan change all presetsMultiple readings per channelMultiple passes through channel listHigh-speed measurementsInterrupts capabilityMainframe HP-IB or GPIO operationAll measurement types
<p>Notes:</p> <p>[1] = The measurement sequence may abort if a large number of readings are taken at high speed.</p> <p>[2] = Interrupts are allowed with MEAS in GPIO operation.</p>

Measurements Using CONFMEAS

The easiest way to program the voltmeter for Scanner Mode ribbon cable measurements is to use the CONFMEAS command. CONFMEAS sets the voltmeter to a known state, takes the measurement, and reads the result all with a single command.

“Measurements Using CONFMEAS” describes the CONFMEAS command and operation and shows example programs using CONFMEAS. Even if your measurement cannot be made using CONFMEAS, you should first read this section to become familiar with basic Scanner Mode operation.

Measurements Using CONF and MEAS

“Measurements Using CONF and MEAS” shows how CONF and MEAS can be used with some low-level commands for Scanner Mode ribbon cable measurements. This programming method allows you to select some voltmeter parameters and has increased programming flexibility. However, since MEAS presets some parameters, full programming flexibility is not available.

Measurements Using CONF and Low-Level Commands

“Measurements Using CONF and Low-Level Commands” shows how to use the CONF command and low-level commands to make Scanner Mode ribbon cable measurements. This programming method offers maximum flexibility to configure and trigger the voltmeter for specific measurement requirements, especially for high-speed requirements.

Measurements Using CONFMEAS

This section shows how to make Scanner Mode ribbon cable measurements using the CONFMEAS command. It includes a summary of the CONFMEAS command, describes Scanner Mode operation with CONFMEAS, shows a recommended sequence to program the voltmeter with CONFMEAS, and lists measurement examples using CONFMEAS.

If your measurement can be made with CONFMEAS, refer to “CONFMEAS Measurement Examples” at the end of this section for DC voltage, resistance, and temperature measurement examples using CONFMEAS. If your measurement cannot be made with CONFMEAS, refer to “Measurements Using CONF and MEAS” or to “Measurements Using CONF and Low-Level Commands” as required.

NOTE

To more easily program the voltmeter for Scanner Mode operation, we suggest that you first read this section and run the example measurements using CONFMEAS, even if your measurement cannot be made with CONFMEAS.

CONFMEAS Programming

A description of the CONFMEAS command, CONFMEAS operation, and CONFMEAS programming sequence follows.

CONFMEAS Command

CONFMEAS can be used with the HP 44702A/B or HP 44704A voltmeter to make DC voltage, DC current (when a user-supplied shunt is installed), strain, resistance (2-wire or 4-wire ohms), and temperature (thermocouples, thermistors, or RTDs) measurements. The advantage of using CONFMEAS is that it allows you to quickly and easily configure the voltmeter for a wide variety of measurements with a single command. The CONFMEAS syntax is :

CONFMEAS *function ch_list* [NSCAN number] [USE ch] [INTO name] or [fmt]

NOTE

1. The NSCAN number parameter applies only to instruments which have firmware revision 2.2 or greater.
 2. For the HP 44717A, 44718A, 44719A, and 44720A strain gage multiplexers, CONFMEAS includes additional optional and/or required parameters. Refer to the HP 44717A, 44718A, 44719A, and 44720A Strain Gage Accessories Configuration and Programming Manual for details.
-

CONFMEAS configures the voltmeter for a specific measurement function, scans, measures, and transfers data. In Scanner Mode, CONFMEAS can be used only for ribbon cable measurements. CONFMEAS does the following:

- Configures the voltmeter to a function appropriate to the specified measurement function (DCV, OHM, etc.) and sets the voltmeter to a known programmed state. The measurement function is specified by the *function* parameter.
- Causes specified multiplexer channel(s) to be scanned and measured and associated data conversion (voltage to temperature in °C or voltage to strain) to be performed (as required) on the results. The channels to be scanned are defined by the *ch_list* parameter. (The optional NSCAN *number* parameter sets the number of times the channels in the *ch_list* will be scanned.)
- As part of thermocouple measurements, measures the isothermal block reference thermistor on the terminal module to provide a reference value for temperature conversions. CONFMEAS can also be used to measure the isothermal block reference temperature only.
- Transfers measurement data to the mainframe memory (when INTO *name* is used) or to the output buffer and/or display (when INTO *name* is not used).

Table 5-2 shows CONFMEAS *function* parameters and data returns for Scanner Mode ribbon cable operation. Note that CONFMEAS is actually two commands in one: CONF and MEAS. The configuration phase of CONFMEAS is equivalent to the CONF command, while the measurement phase of CONFMEAS is equivalent to the MEAS command. That is, CONFMEAS is equivalent to a CONF command followed immediately by a MEAS command.

Table 5-2. CONFMEAS Functions/Data Returns

function:	Configure for:	Data Returned:
DC Voltage		
DCV	DC voltage	DC voltage on chs in ch_list
Resistance		
OHM	2-wire ohms (same as OHM100K)	Resistance on chs in ch_list
OHM10K	2-wire ohms up to 10 k Ω	Resistance on chs in ch_list
OHM100K	2-wire ohms up to 100 k Ω	Resistance on chs in ch_list
OHM1M	2-wire ohms up to 1 M Ω	Resistance on chs in ch_list
OHMF	4-wire ohms (same as OHMF100K) [1]	Resistance on chs in ch_list
OHMF10K	4-wire ohms up to 10 k Ω [1]	Resistance on chs in ch_list
OHMF100K	4-wire ohms up to 100 k Ω [1]	Resistance on chs in ch_list
OHMF1M	4-wire ohms up to 1 M Ω [1]	Resistance on chs in ch_list
Temperature		
TEMPtype	Reference temperature and thermocouple voltage measurements type = B, E, J, K, N14 [N (AWG 14)], N28 [N (AWG 28)], R, S, and T	Thermocouple temp ($^{\circ}$ C) on chs in ch_list, compensated to 0 $^{\circ}$ reference
REFT	Reference temperature measurement of isothermal block	Reference temp ($^{\circ}$ C) of isothermal block in slot addressed
THMtype	2-wire ohms measurement of thermistor type = 2252 (2252 Ω thermistor) = 5K (5 k Ω thermistor) = 1OK (10 k Ω thermistor)	Thermistor temp ($^{\circ}$ C) on ch in ch_list
THMFtype	4-wire ohms measurement of thermistor [1] type = Same type as THMtype	Thermistor temp ($^{\circ}$ C) on ch in ch_list
RTDtype	2-wire ohms measurement of RTD type = 85 (RTDs with α = 0.00385 $\Omega/\Omega/^{\circ}$) = 92 (RTDs with α = 0.003916 $\Omega/\Omega/^{\circ}$)	RTD temp ($^{\circ}$ C) on ch in ch_list
RTDFtype	4-wire ohms measurement of RTD [1] type = same as RTDtype	RTD temp ($^{\circ}$ C) on ch in ch_list
Strain [2]		
STRVEX	Bridge excitation voltage (\pm VS)	Bridge excitation voltage
STRUN	Bridge output which is ref for corresponding strain measurement	Bridge output voltage
STRQ	1/4 bridge strain	Strain or microstrain [3]
STRFB	Bending full bridge strain	Strain or microstrain [3]
STRHB	Bending half bridge strain	Strain or microstrain [3]
STRQTEN	Shunt verification (tension shunt) diagnostic (HP 44717A or 44718A only)	Strain or microstrain [3]
STRQCOMP	Shunt verification (compression shunt) diagnostic (HP 44717A or 44718A only)	Microstrain
STRHP	1/2 bridge Poisson strain	Strain or microstrain [3]
STRFBP	Bending full bridge Poisson strain	Strain or microstrain [3]
STRFP	Full bridge Poisson strain	Strain or microstrain [3]
Notes:		
[1] = For 4-wire ohms functions		
[2] = Refer to the CONFMEAS command in the HP 3852A Command Reference Manual for definitions.		
[3] = Depends on Gage factor (GF factor).		

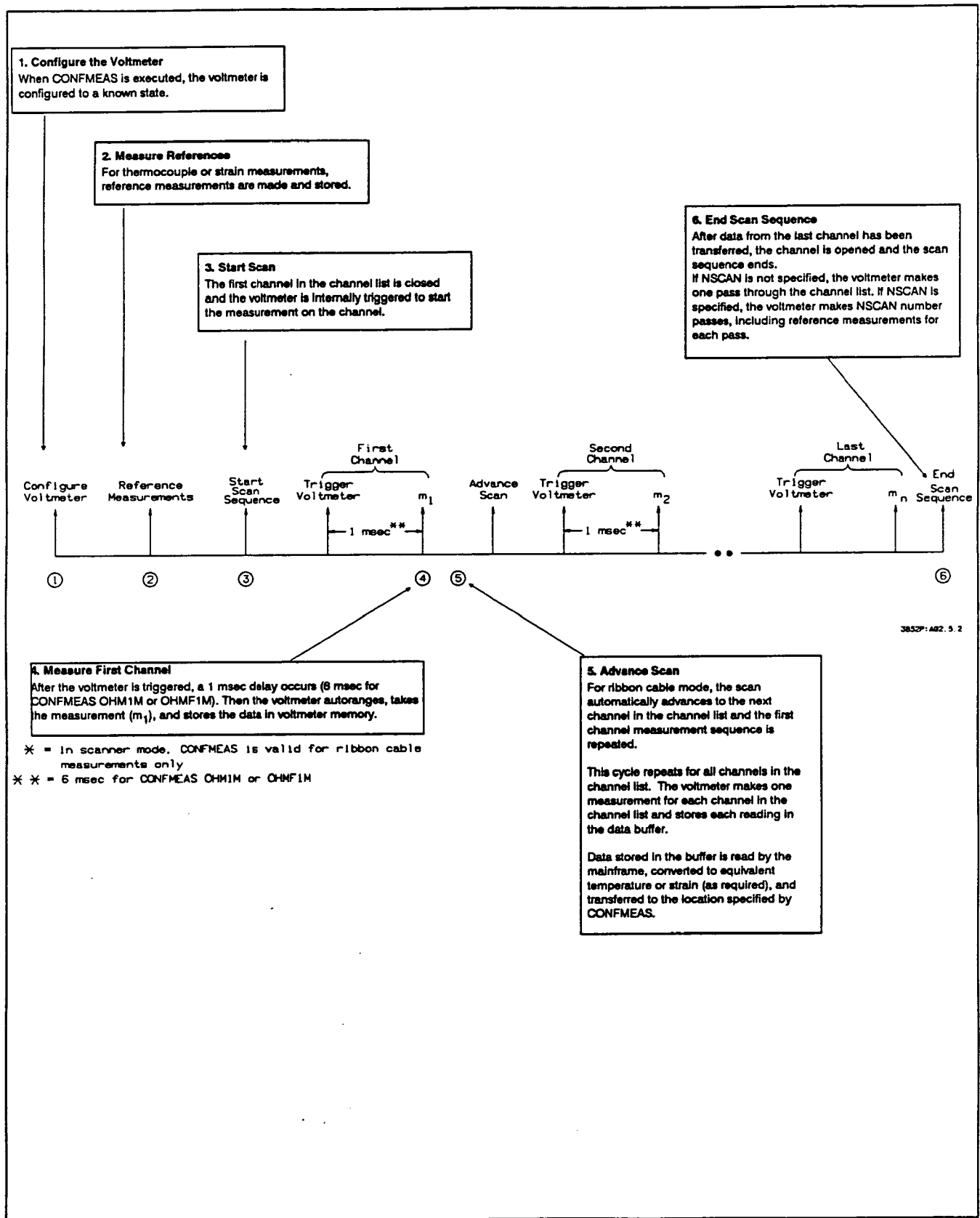


Figure 5-2. CONFMEAS Operation (Scanner Mode)

CONFMEAS Operation

Figure 5-2 shows simplified voltmeter operation for CONFMEAS with Scanner Mode ribbon cable measurements. When CONFMEAS is executed the voltmeter is configured (1), any required thermocouple or strain references are measured (2), and the scan sequence is started (3).

When the scan sequence is started, the first channel in the channel list is closed and the voltmeter is triggered. After a 1 msec delay (6 msec if the CONFMEAS *function* is OHM1M or OHMF1M), a measurement (m_1) is made on the first channel in the channel list (4).

When the first channel is measured, the scan is automatically advanced to the second channel in the channel list (5), and a measurement is taken on the second channel. This sequence repeats for each channel in the channel list. When the last channel is measured, the channel is opened and the scan ends (6).

As measurements are taken, they are stored in the voltmeter data buffer and then transferred to the mainframe or to the output buffer and/or display by the MEAS phase of CONFMEAS. For ribbon cable operation, the voltmeter does not wait for readings to be transferred from the data buffer before advancing to the next channel.

If the CONFMEAS NSCAN parameter (valid only for firmware revision 2.2 and greater) is not specified, the scan sequence ends at (6). If NSCAN *number* is specified, the scan sequence is repeated *number* times. For example, with NSCAN 3 and 10 channels in the channel list, 30 measurements are taken.

To summarize, CONFMEAS sets the voltmeter for one reading per channel and limits measurement speed to about 1000 readings per second or less. For Scanner Mode operation, CONFMEAS can only be used for ribbon cable measurements. Also, unless the NSCAN *number* parameter is > 1 , the voltmeter is limited to a single pass through the channel list.

CONFMEAS Programming Sequence

Figure 5-3 shows the recommended command sequence to program the voltmeter for Scanner Mode measurements using CONFMEAS. In Figure 5-3, the solid line path indicates required commands while the dotted line shows optional commands. Thus, USE *ch*, SCANMODE ON, and CONFMEAS are required commands for Scanner Mode ribbon cable measurements with CONFMEAS, while RST *slot* and TEST *slot* are optional commands.

CONFMEAS Measurement Examples

Four example programs using CONFMEAS for Scanner Mode ribbon cable measurements follow. Table 5-3 shows the example titles. The first three examples use an HP 44711A/B 24-Channel High-Speed FET Multiplexer in slot 5 of the mainframe and an HP 44702A/B or HP 44704A voltmeter in slots 6 and 7 of the mainframe (programming slot 6). The fourth example uses an HP 44713A/B in slot 5 of the mainframe and an HP 44702A/B or HP 44704A in slots 6 and 7.

See Figure 3-3 for typical connections to the multiplexers. Connect the ribbon cable from the multiplexer to the voltmeter as shown in Figure 3-6. You should also refer to the appropriate multiplexer configuration and programming manual for additional details.

Table 5-3. CONFMEAS Measurement Examples

Title	Description
DC Voltage Measurements	Measure DC voltage on 10 channels of an HP 44711A/B multiplexer.
Resistance Measurements	Measure the resistance on an HP 44711A/B multiplexer channel using 4-wire ohms.
Temperature Measurements	Measure the temperature of a 10 kΩ thermistor on an HP 44711A/B channel.
Reference Temperature Measurements	Measure the reference temperature of an HP 44713A/B multiplexer

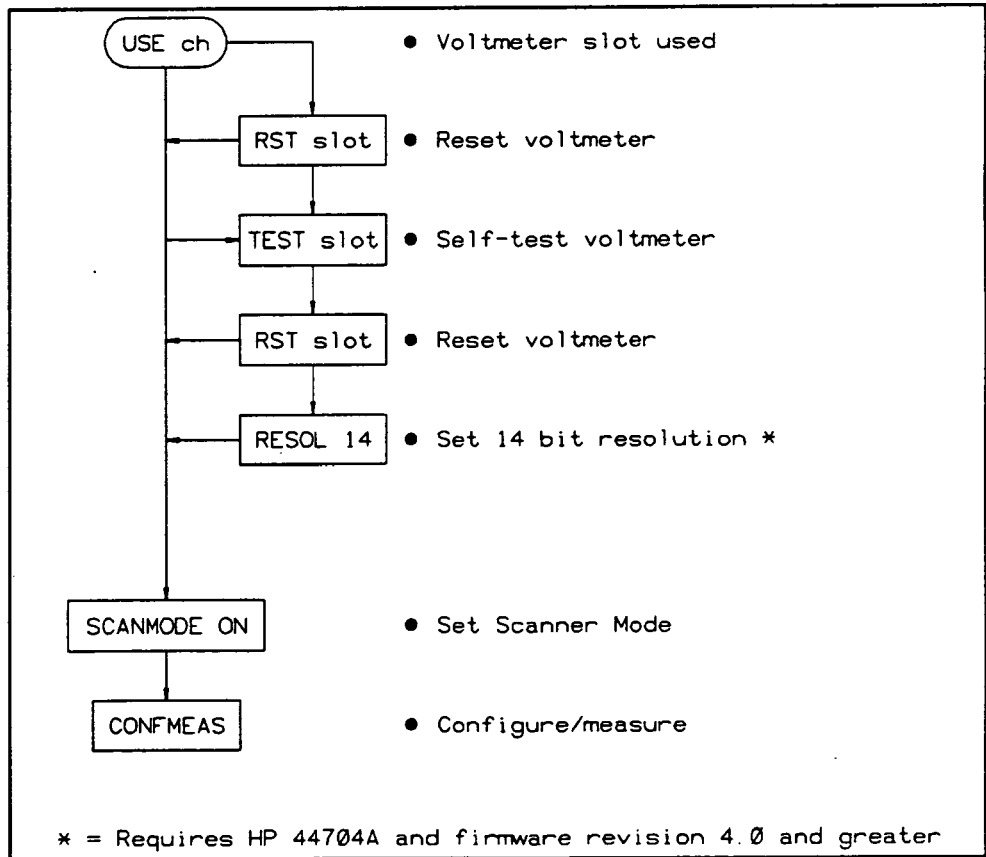


Figure 5-3. CONFMEAS Programming Sequence

Example: DC Voltage Measurements This program uses CONFMEAS to measure DC voltages connected to channels 500 through 509 of an HP 44711A/B multiplexer. Since NSCAN *number* is not specified, the voltmeter makes a single pass through the channel list.

```

10 DIM Volts(0:9)                ! Dimension controller array
20 OUTPUT 709;"USE 600"          ! Use voltmeter in mainframe slot 6
30 OUTPUT 709;"SCANMODE ON"     ! Set Scanner Mode
40 OUTPUT 709;"CONFMEAS DCV,500-509" ! Conf/meas DC volts, ch 500-509
50 ENTER 709;Volts(*)           ! Enter 10 readings
60 PRINT USING "K,/";Volts(*)   ! Display 10 readings
70 END

```

For a set of 5V 5% sources, a typical return (values in volts) is:

4.9975, 5.0025, ... 4.9875

Example: Resistance Measurements CONFMEAS can also be used for 2-wire or 4-wire ohms resistance measurements (refer to Table 5-2). This program measures resistance using 4-wire ohms on channel 500 of an HP 44711A/B multiplexer.

Note that only the Sense channel (channel 500) is specified in the CONFMEAS *ch_list* parameter, since CONFMEAS automatically assigns the correct channel (channel 512 in this case) as the Source channel. Also, note that CONFMEAS OHMF configures the voltmeter for 4-wire ohms measurements up to 100 k Ω (assumed for this program) and measurement results are returned in Ω .

```

10 OUTPUT 709;"USE 600"          ! Use voltmeter in mainframe slot 6
20 OUTPUT 709;"SCANMODE ON"     ! Set Scanner Mode
30 OUTPUT 709;"CONFMEAS OHMF,500" ! Conf/meas resistance on ch 500
40 ENTER 709;A                  ! Enter results
50 PRINT A                       ! Display results
60 END

```

A typical return for a 10 k Ω 5% resistor (value in Ω) is:

9993.75

Example: Temperature Measurements CONFMEAS can be used for a wide variety of temperature measurements, including RTDs, thermistors, and thermocouples. This program uses CONFMEAS to measure the temperature of a 10 k Ω thermistor connected to channel 500 of an HP 44711A/B multiplexer.

```

10 OUTPUT 709;"USE 600"           / Use voltmeter in mainframe slot 6
20 OUTPUT 709;"SCANMODE ON"      / Set Scanner Mode
30 OUTPUT 709;"CONFMEAS THMF10K,500" / Conf/meas Type 10K thermistor
40 ENTER 709;A                    / Enter temperature
50 PRINT A                        / Display temperature
60 END

```

For a 10 k Ω thermistor at room temperature, a typical return (value in $^{\circ}$ C) is:

24.312

**Example: Reference
Temperature
Measurement**

As noted, the HP 3852A supports Type B, E, J, K, N14 [N (AWG 14)], N28 [N (AWG 28)], R, S, and T thermocouples. However, to measure other thermocouples, you will need to measure the reference temperature to use in your own linearization program. This program uses CONFMEAS to measure the reference temperature of an HP 44713A/B multiplexer in slot 5 of the mainframe.

```

10 OUTPUT 709;"USE 600"           / Use voltmeter in mainframe slot 6
20 OUTPUT 709;"SCANMODE ON"      / Set Scanner Mode
30 OUTPUT 709;"CONFMEAS REFT,500" / Measure reference temperature
40 ENTER 709;A                    / Enter reference temperature
50 PRINT A                        / Display reference temperature
60 END

```

A typical return at room temperature (value in $^{\circ}$ C) is:

24.312

Measurements Using CONF and MEAS

This section shows how to use CONF and MEAS along with some low-level commands for Scanner Mode ribbon cable measurements. The programming method in this section will be to use CONF and MEAS to set certain voltmeter parameters to a known state (preset values), modify the preset values as required with low-level commands, and use MEAS to read and transfer the results.

NOTE

- 1. Although using CONF and MEAS allows increased programming flexibility over using CONFMEAS, the MEAS command presets some voltmeter operating and triggering parameters and thus does not offer the full programming flexibility of using CONF and low level commands.*
 - 2. Scanner Mode backplane measurements can be made with MEAS but are not recommended. Voltmeter operation and commands in this section assume Scanner Mode ribbon cable (TERM RIBBON) operation.*
 - 3. Commands are not discussed in detail in this section. Refer to the HP 3852A Command Reference Manual and/or to the next section "Measurements Using CONF and Low-Level Commands" as required for command details.*
-

Programming Overview

To program the voltmeter using CONF and MEAS along with low-level commands, first read "CONF and MEAS Overview" for an overview of voltmeter operation with CONF and MEAS, a discussion of CONF and MEAS preset values, and the low-level commands which apply to CONF and MEAS ribbon cable operation.

Next, refer to "Selecting Voltmeter Configuration" and/or to "Selecting Voltmeter Triggering" to select voltmeter configuration and triggering parameters required for your measurement. When you have selected required measurement parameters, program the voltmeter using the command sequence shown in Figure 5-4.

NOTE

For CONF and MEAS Scanner Mode ribbon cable operation, USE, SCANMODE, CONF, and MEAS are the only commands required to program the voltmeter. The other commands are optional and can be used as needed. Also, commands are not always presented in the order shown in Figure 5-4. When using CONF and MEAS, always program the voltmeter in the sequence shown in Figure 5-4.

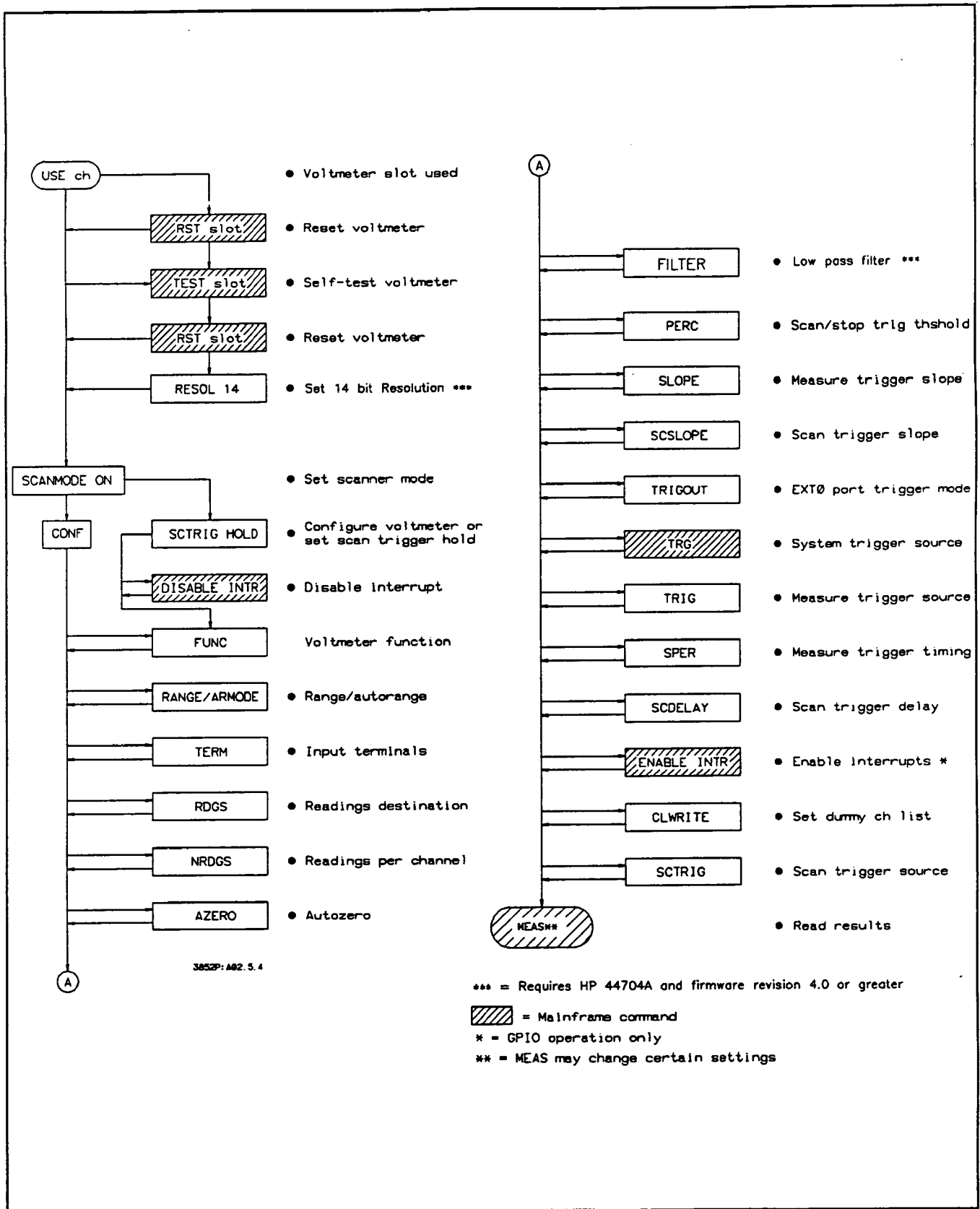


Figure 5-4. CONF and MEAS Programming Sequence

Example: Getting Started

Suppose the CONF and MEAS preset values shown in “CONF and MEAS Commands” (Tables 5-4 and 5-5) are acceptable for your measurement except for the number of readings per channel (set with the NRDGS command) and the scan trigger source (set with the SCTRIG command).

In this case, refer to “Selecting Voltmeter Configuration” to select the NRDGS parameter and to “Selecting Voltmeter Triggering” to select the SCTRIG parameter. Then, program the voltmeter using the command sequence in Figure 5-4.

CONF and MEAS Overview

This section summarizes voltmeter operation for Scanner Mode ribbon cable measurements when CONF and MEAS are used; lists Scanner Mode low-level commands which apply when CONF and MEAS are used; and lists preset values for CONF and MEAS.

CONF and MEAS Operation

Figure 5-5 shows voltmeter operation when CONF and MEAS are used for Scanner Mode ribbon cable measurements and summarizes applicable commands by function. A summary of voltmeter operation and related commands follows. Refer to “Low-Level Commands” for a list of the commands.

Configure Voltmeter

CONF configures certain voltmeter parameters to a known state and MEAS ensures that the voltmeter is properly set for the specified measurement (1). For strain or temperature measurements, the voltmeter automatically takes and stores the reference measurements (2).

Start Scan Sequence

For Scanner Mode operation, a “scan sequence” consists of all voltmeter actions from the time the scan trigger starts the sequence (3) until the last channel has been measured and the sequence ends (6).

For measurements with MEAS, two types of triggers affect the voltmeter operation: the scan trigger and the measure trigger. The scan trigger starts the scan sequence, but does not trigger the voltmeter to take measurements. After the scan trigger is received, each measurement is initiated by a separate measure trigger (m_i).

The scan sequence started by a scan trigger from the source set by the SCTRIG command (3). For SCTRIG MEAS, EXT0, EXT1, or GPIO, the SCSLOPE command sets the input edge (LH or HL) which will generate the scan trigger. For SCTRIG MEAS only, PERC sets the input threshold which will generate a scan trigger.

Voltmeter Configuration

Known State

- USE sets voltmeter slot to be used.
- SCANMODE ON sets Scanner Mode operation.
- CONF configure's the voltmeter.
- MEAS makes measurements and transfers data.

Operating Parameters

- FUNC sets measurement function.
- RANGE sets voltmeter range.
- ARMODE sets autorange mode.
- TERM sets input terminals.
- RDGS sets readings destination.
- NRDGS sets number of readings per channel.
- AZERO autozeroes the voltmeter.
- CLWRITE sets channel and range list.

Voltmeter Triggering

Scan Trigger

- SCTRIG sets scan trigger source.
- SCSLOPE sets scan trigger edge.
- PERC sets scan trigger input threshold.
- SCDELAY trig_delay sets time to first measure trigger.

Measure Trigger

- TRIG sets measure trigger source.
- TRIGOUT sets scan trigger input threshold.
- SLOPE sets measure trigger edge.
- SPER sets time between measure triggers.
- TRIGOUT sets EXT0 port trigger output mode.

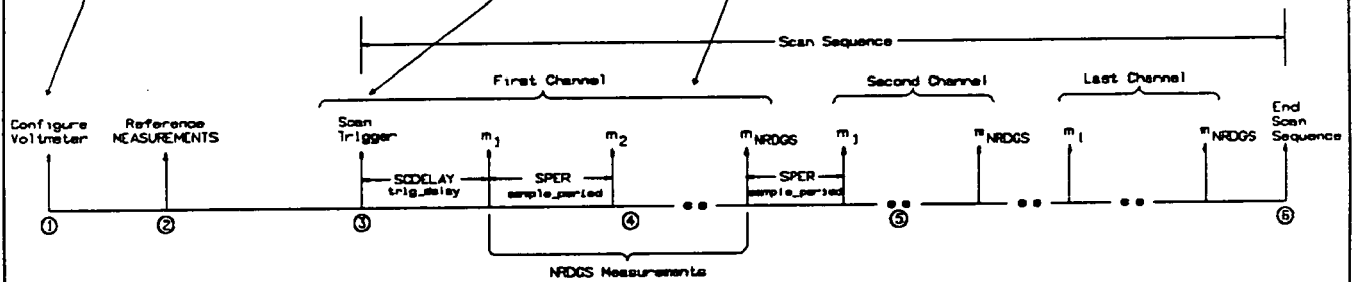


Figure 5-5. CONF and MEAS Operation (Ribbon Cable)

Measure First Channel

Following the scan trigger, a delay set by the SCDELAY *trig_delay* parameter occurs before the first measure trigger is enabled. If TRIG INT (internal measure trigger) is set, the first measurement (m_1) is then made. The voltmeter takes NRDGS readings on the first channel (4) as set by the NRDGS *number* parameter. If TRIG INT is set, the time between the start of each measurement (m_1 to m_2 , etc.) is set by SPER *sample_period*.

Each measurement is initiated by a measure trigger from the source set by the TRIG command. For TRIG EXT0, EXT1, or GPIO, the SLOPE command sets the input edge (LH or HL) which generates the measure trigger. TRIGOUT sets whether the EXT0 port can generate or receive triggers. As each measurement is taken, data is stored in the voltmeter data buffer. Stored readings are transferred to the destination specified by MEAS.

Measure Second Through Last Channels

After the first channel readings have been made, the scan is automatically advanced to the second channel and NRDGS measurements are taken on the second channel (5). The scan advances through each of the channels in the channel list and the second channel measurement sequence is repeated for each remaining channel. When the data from the last channel has been read, the last channel is opened and the scan pass ends (6).

End Scan Sequence

If MEAS [NSCAN *number*] is not specified, the voltmeter executes one scan sequence and the measurement sequence ends. Otherwise, the voltmeter executes the number of scan sequences set by NSCAN *number* (1 to 65,535). (The MEAS NSCAN parameter is valid only for mainframe firmware revision 2.2 and greater.)

For example, with NSCAN 3, ten channels in the scan list, and ten readings per channel the voltmeter makes 300 measurements. Note that a separate scan trigger is required to start each scan sequence.

CONF and MEAS Commands Since the CONF and MEAS commands form the starting point for measurements in this section, CONF and MEAS preset values follow.

The CONF Command

Table 5-4 shows the command parameters set by the CONF command (called preset values) for Scanner Mode operation. That is, executing the CONF command is equivalent to setting the command parameters in Table 5-4 in the order shown. Note that SCANMODE ON must be set prior to the CONF command to obtain the settings in Table 5-4.

Some commands in Table 5-4 (such as SADV and STRIG) do not apply to Scanner Mode ribbon cable operation when MEAS is used. In addition, other commands, such as PRESCAN and POSTSCAN are set to a specific value by the MEAS command. Thus, the commands discussed in this section are those listed in "Low-Level Commands" (refer to Table 5-6).

Table 5-4. CONF Scanner Mode Preset Values

Command/Parameter	Definition
SADV SCAN	Advance scan when readings are available. [1]
STRIG SCAN	Start scan immediately. [1]
SCTRIG HOLD	Scan trigger is disabled. [2]
TRIG INT	Internal measure trigger source.
STTRIG INT	Internal stop trigger source.
FUNC DCV or OHMxx	As appropriate for CONF function parameter.
RANGE AUTO	Autorange mode. [3]
TERM RIBBON	Ribbon cable is the input source.
NRDGS 1	One reading per channel.
RDGS SYS	Readings are returned to the mainframe.
RDGSMODE DAV	Reading is available when any reading stored.
ARMODE AFTER	Autorange after measure trigger is received.
ASCAN OFF	Autoscan off.
SCDELAY .001, .001	1 msec scan trig_delay, 1 msec scan_pace. [4]
SPER .001	1 msec between measurement triggers,
PRESCAN 1	1 prescan before stop trigger accepted.
POSTSCAN 0	0 postscans after stop trigger accepted.
AZERO ONCE	Autozero once.
Notes: [1] = Does not apply to ribbon cable operation when MEAS is used. [2] = If TERM RIBBON is set, MEAS changes SCTRIG HOLD to SCTRIG INT, if TERM INT or TERM EXT is set, MEAS changes SCTRIG HOLD to SCTRIG SCAN. [3] = For CONF TEMPxx, mainframe firmware revisions before revision 2.2 set the 320 mV range for xx = E, J, K, and N14 (AWG 14)] and set the 40 mV range for xx = B, R, S, T, and N28 [N(AWG)]. [4] = CONF OHM1M and CONF OHMF1M set 6 msec trig-delay and 6 msec scan-pace.	

The MEAS Command

MEAS *function ch_list* [NSCAN *number*] [USE *ch*] [INTO *name*] or [*fmt*] sets the measurement function appropriate for the *function* parameter, initiates a scan and measurement of the multiplexer channels specified by *ch_list*, and executes the number of scan sequences set by the NSCAN *number* parameter (see Figure 5-5).

When measurements have been taken, MEAS automatically transfers the readings to the mainframe memory (when INTO *name* is used) or to the output buffer and/or display (when INTO *name* is not used). For temperature or strain measurements, MEAS also causes associated conversions to be performed on the results.

NOTE

MEAS can also be used for GPIO operation (RDGS GPIO), but no conversion is done for strain or temperature measurements. Refer to Chapter 7 - GPIO operation for details on GPIO operation.

For thermocouple and strain measurements, all reference measurements are first made (automatically) and then all channel measurements are made. A reference measurement is made each time a slot is crossed in the channel list. For example, MEAS TEMPJ,100-223 makes two reference measurements: one for slot 100 and the second for slot 200. However, MEAS TEMPJ, 100,200, 101,201 makes four reference measurements: slot 100, slot 200, slot 100 again, and slot 200 again.

MEAS disables all voltmeter interrupts on the voltmeter unless RDGS GPIO (readings destination is the GPIO port) is set. If MEAS detects that the voltmeter function set is not compatible with the MEAS *function* specified, the voltmeter is reconfigured and autorange is set. In addition, for Scanner Mode operation, MEAS checks and changes (as necessary) the commands in Table 5-5.

Since the STTRIG, PRESCAN, POSTSCAN, DISABLE INTR, ASCAN, and RDGSMODE commands are set by MEAS, they will not be discussed in this section. Refer to the next section "Measurements Using CONF and Low-Level Commands" for details on these commands.

NOTE

If an HP-IB device clear or CLEAR key is received during MEAS execution, the voltmeter may be left in an undefined programmed state, since MEAS temporarily reprograms several features which cannot be restored after a clear.

Table 5-5. Scanner Mode Commands Changed by MEAS

Command	Setting
FUNC	Changed to function set by MEAS function.
TERM	TERM ZERO changed to TERM INT.
SCTRIG	SCTRIG HOLD or SCTRIG SCAN is changed to SCTRIG INT if TERM RIBBON is set. [2]
TRIG	TRIG HOLD is changed to TRIG INT.
STTRIG	STTRIG INT is set.
PRESCAN	PRESCAN 1 is set.
POSTSCAN	POSTSCAN 0 is set.
DISABLE INTR	DISABLE INTR is set if RDGS SYS is set.
ASCAN	ASCAN OFF is set.
RDGSMODE	RDGSMODE BURST is changed to RDGSMODE DAV and RDGSMODE COMPLETE is changed to RDGSMODE END during MEAS and restored after MEAS is executed.
Notes:	
[1] = Service-related command. Refer to the HP 3852A Assembly Level Service Manual.	
[2] = SCTRIG HOLD or SCTRIG INT is changed to SCTRIG SCAN if TERM INT or TERM EXT is set.	

Low-Level Commands Table 5-6 is an alphabetical list of Scanner Mode low-level commands which apply when CONF and MEAS are used. If a command (such as FUNC) has two parameters, the command is listed twice, once for each parameter. Refer to the HP 3852A Command Reference Manual and/or to "Scanner Mode Command Summary" at the end of this chapter for details on the commands.

Table 5-6. Scanner Mode Low-Level Commands - Using MEAS

Command	Description	Power-On	Default	Note
ARMODE mode	Autorange mode	AFTER	-	
AZERO [mode]	Autozero mode	ONCE	ONCE	
CAL	Service cmd	-	-	[1]
FUNC function	Meas function	DCV	-	
FUNC [range]	Meas range	AUTO	AUTO	
NRDGS number	Rdgs/channel	1	-	
PERC threshold	Trigger threshold	0%	-	
RANGE [range]	Voltmeter range	AUTO	AUTO	
RDGS dest	Readings dest	SYS	-	
SCANMODE [mode]	Operating mode	OFF	ON	
SCDELAY trig-delay	Scan trigger delay	0 sec	-	
SCSLOPE mode	Scan trigger slope	LH	-	[2]
SCTRIG [source]	Scan trigger source	HOLD	HOLD	
SLOPE mode	Meas trigger slope	LH	-	[3]
SPER sample-period	Meas trigger timing	10 μ sec	-	
TERM terminal	Input terminals	EXT	-	
TRIG [source]	Meas trigger source	INT	SGL	
TRIGOUT [mode]	EXT0 mode	OFF	ON	
USE ch	Slot or chan used	Low valid ch/slot	-	[4]

Notes:
 [1] = Refer to HP 3852A Assembly Level Service Manual.
 [2] = Used only when SCTRIG EXT0, EXT1, MEAS, or GPIO is set.
 [3] = Used only when TRIG EXT0, EXT1, or GPIO is set.
 [4] = Low valid ch/slot (may or may not be the voltmeter slot).

Selecting Voltmeter Configuration

Table 5-7 shows suggested actions and related commands to select voltmeter configuration parameters for Scanner Mode ribbon cable measurements when MEAS is used. If required, also refer to "Selecting Voltmeter Triggering" to select voltmeter triggering parameters needed.

Table 5-7. Voltmeter Configuration Parameters

Action	Commands	Definition
Set Known State	USE ch SCANMODE ON CONF MEAS	Voltmeter slot used Set Scanner Mode Configure voltmeter
Set Function/Range	FUNC RANGE TERM ARMODE AZERO	Voltmeter function Voltmeter range Input terminals Autorange mode Autozero
Set Readings	RDGS NRDGS CLWRITE	Readings destination Readings per channel Channel/range lists

Setting Known State To begin programming the voltmeter for Scanner Mode measurements with CONF and MEAS, set the voltmeter slot used with USE *ch* and set Scanner Mode with SCANMODE ON. Then, use CONF to preset the voltmeter to the state shown in Table 5-4. Also, refer to Table 5-5 for the MEAS preset values since the voltmeter will be set to this state when MEAS is executed.

Setting Function/Range Voltmeter function/range parameters which can be selected for Scanner Mode CONF and MEAS ribbon cable operation include FUNC, RANGE, TERM, ARMODE, and AZERO.

Voltmeter Function (FUNC)

Use FUNC *function* [*range*] [USE *ch*] to set the voltmeter to a specified function and range. FUNC *function* can be set for DCV, OHMF10K, OHMF100K, or OHMF1M only. Refer to the HP 3852A Command Reference Manual for FUNC [*range*] values.

Use FUNC [*range*] [USE *ch*] to set a measurement range or to set autorange (CONF sets autorange). Use the word AUTO or the value 0 for the FUNC [*range*] parameter to set autorange. To specify a fixed range, you specify the maximum expected voltage amplitude or maximum expected resistance on any channel in the channel list. The voltmeter then selects the correct range.

Note that any value within the range specified sets the voltmeter to that range. For example, with FUNC DCV, any [*range*] value >2.56 and ≤ 10.24 sets the voltmeter to the 10.24V DC voltage range.

Voltmeter Range (RANGE)

Use RANGE [*range*] [USE *ch*] to set a measurement range or to set autorange (CONF sets autorange). Use the word AUTO or the value 0 for the RANGE [*range*] parameter to set autorange. To specify a fixed range, you specify the maximum expected voltage amplitude or maximum expected resistance on any channel in the channel list. The voltmeter then selects the correct range.

The RANGE [*range*] values are the same as the FUNC [*range*] values. Note that any value within the range specified sets the voltmeter to that range. For example, if DC voltage measurements are set (with CONF or FUNC), any [*range*] value >2.56 and ≤ 10.24 sets the voltmeter to the 10.24V DC voltage range.

Input Terminals (TERM)

Use TERM *terminal* [USE *ch*] to set the voltmeter input terminals. For Scanner Mode ribbon cable measurements use TERM RIBBON (as set by CONF).

Autorange Mode (ARMODE)

When a fixed range is not used, the voltmeter uses the autorange mode. When autorange is enabled, ARMODE *mode* [USE *ch*] sets the voltmeter autorange mode. ARMODE BEFORE samples the input when the measure trigger is received. ARMODE AFTER samples the input 10 μ sec after the measure trigger is received.

ARMODE AFTER (as set by CONF) is typically used with MEAS operation. If your measurement application requires ARMODE BEFORE, refer to the next section "Measurements Using CONF and Low-Level Commands" for details on ARMODE.

Autozero (AZERO)

When CONF is executed, the voltmeter makes a single autozero measurement. However, as required, you can also use AZERO ONCE to autozero the voltmeter. When AZERO ONCE is executed, the voltmeter nulls out its internal circuitry offset. Thus, executing AZERO ONCE does not generate a time penalty during the scan.

Setting Readings Voltmeter commands which can be set to specify the voltmeter measurement readings method for CONF and MEAS ribbon cable operation include RDGS, NRDGS, and CLWRITE.

Readings Destination (RDGS)

The destination for readings stored in the voltmeter data buffer is set with RDGS *dest* [USE *ch*]. RDGS SYS sets the mainframe as the destination, while RDGS GPIO sets the GPIO port. Power-on and default mode and mode set by CONF is RDGS SYS.

For MEAS operation and RDGS SYS, measurement data is sent to mainframe memory or to the output buffer and/or display as specified by the MEAS command. All examples in this chapter assume RDGS SYS. Refer to Chapter 7 - GPIO Operation for details on RDGS GPIO.

Number of Readings (NRDGS)

Use NRDGS *number* [USE *ch*] to set the number of readings per channel, where the number range is 1 to 65,535. For ribbon cable operation, [NRDGS *number*] times [number of channels - 1] must be <4,095 (for NRDGS *number* > 1). With NRDGS *number* = 1, the maximum number of readings = 65,535. Or, for example, with 10 channels in the channel list, the maximum number of readings/channel = $4,094 / (10 - 1) = 454$ readings/channel.

NOTE

1. For the HP 44702A voltmeter, NRDGS should be $\leq 8,192$ or the scan sequence may abort if the voltmeter data buffer fills.
 2. For ribbon cable operation when MEAS is used [NRDGS number] times [number of channels] times [NSCAN number] must be $\leq 67,108,863$ readings. (The NSCAN parameter applies only to mainframe firmware revision 2.2 and greater.)
-

Channel/Range Lists (CLWRITE)

For CONF and MEAS operation the MEAS command specifies the channel list to be measured and sets the scan trigger to SCTRIG INT (Table 5-5). Thus, if you want the scan trigger source to be other than SCTRIG INT, you must set up a “dummy” channel list before the SCTRIG command can be executed.

One way to set up the dummy channel list is to use CLWRITE. For Scanner Mode ribbon cable operation, CLWRITE [ribbon_bus] ch_list [RANGE range_list] [USE ch] sets a channel list and an associated range list. Refer to the HP 3852A Command Reference Manual for details on CLWRITE.

As noted, for CONF and MEAS ribbon cable operation, CONF sets the scan trigger to hold (SCTRIG HOLD) while MEAS changes SCTRIG HOLD to SCTRIG INT (internal trigger). To specify a scan trigger source other than SCTRIG INT, you must first use the CLWRITE command to set up a dummy channel list.

Then, when MEAS is executed, the actual channel list to be measured is set by the MEAS command. Refer to “Example: Setting Voltmeter Triggering” for an example program using CLWRITE.

Example: Setting Voltmeter Configuration This example measures DC voltage on channels 500 through 502 and assumes that the CONF preset values (Table 5-4) are acceptable except for number of readings and range. This program uses the NRDGS and RANGE commands to modify the CONF settings for these parameters.

In the program, NRDGS 3 sets the number of readings per channel to 3 and RANGE 9 sets the 10.24V range. (Maximum expected amplitude is 9 volts on all channels.) MEAS NSCAN 2 is used to make two scan passes, so 18 readings are taken.

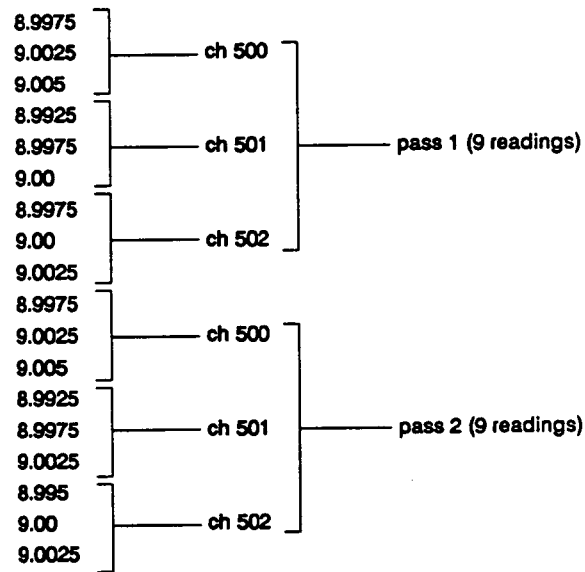
```

10 DIM Volts(0:17)
20 OUTPUT 709;"USE 600"
30 OUTPUT 709;"SCANMODE ON"
40 OUTPUT 709;"CONF DCV"
50 OUTPUT 709;"RANGE 9"
60 OUTPUT 709;"NRDGS 3"
70 OUTPUT 709;"MEAS DCV,500-502,NSCAN 2"! Meas ch 500-502, make 2 scans
80 ENTER 709;Volts(*)
90 PRINT USING "K,/";Volts(*)
100 END

```

! Dimension controller array
! Use voltmeter in MF slot 6
! Set Scanner Mode
! Set DC volts
! Set 10.24V range
! Set 3 readings/channel
! Meas ch 500-502, make 2 scans
! Enter 18 readings
! Display 18 readings

For a set of 9V 5% sources, a typical return (values in volts) is:



Selecting Voltmeter Triggering

As noted, when MEAS is used you can select parameters for the scan trigger and measure triggers. Table 5-8 shows voltmeter scan and measure trigger parameters which can be selected for MEAS operation.

Table 5-8. Voltmeter Triggering Parameters

Action	Commands	Definition
Set Scan Trigger	SCTRIG SCSLOPE PERC SCDELAY	Scan trigger source Scan trigger slope Scan trigger threshold Scan trigger delay
Set Measure Trigger	TRIG SLOPE SPER TRIGOUT	Measure trigger source Measure trigger slope Measure trigger timing EXT0 port trigger mode

Setting Scan Trigger Guidelines follow to select scan trigger parameters when MEAS is used, including the scan trigger source (SCTRIG), scan trigger slope (SCSLOPE), scan trigger threshold (PERC), and scan trigger delay (SCDELAY).

Scan Trigger Source (SCTRIG)

As shown in Figure 5-5, the scan sequence is started when a scan trigger from the source set by SCTRIG is received. For SCTRIG MEAS, EXT0, EXT1, or GPIO, the SCSLOPE command sets the edge (LH or HL) of the input which will generate the scan trigger. For SCTRIG MEAS, the PERC command sets the input level (threshold) which will generate a scan trigger when the input crosses the threshold in the direction set by SCSLOPE.

Table 5-9 summarizes SCTRIG sources for ribbon cable operation when MEAS is used. Although there are nine SCTRIG sources, SCTRIG SCAN is not normally used for ribbon cable operation. Also, when MEAS is used, SCTRIG SGL or SCTRIG HOLD are not compatible for ribbon cable operation since MEAS changes SCTRIG SGL or SCTRIG HOLD to SCTRIG INT. Refer to the HP 3852A Mainframe Configuration and Programming Manual for details on the TRG command.

NOTE

For Scanner Mode ribbon cable operation with CONF and MEAS, the CONF command sets SCTRIG HOLD while MEAS changes SCTRIG HOLD (or SCTRIG SCAN) to SCTRIG INT. To set SCTRIG to a source other than INT when MEAS is used, a "dummy" channel list must be set-up with the CLWRITE command. Refer to "Example: Setting Voltmeter Triggering" for an example program.

Table 5-9. Scan Trigger (SCTRIG) Sources - Using MEAS

Source/mode	Description
SYS	System trigger (used with TRG command)
INT	Voltmeter generates internal scan trigger
MEAS	Generate scan trigger on input threshold
EXT0	Input to EXT0 port generates scan trigger
EXT1	Input to EXT1 port generates scan trigger
GPIO	Input to GPIO port generates scan trigger

Scan Trigger Slope (SCSLOPE)

For SCTRIG MEAS, EXT0, EXT1, or GPIO, the SCSLOPE *mode* [USE *ch*] command sets the direction (edge) of the input (LH or HL) which will generate the scan trigger. SCSLOPE LH sets low-to-high transitions (positive slope) while SCSLOPE HL sets high-to-low (negative slope) transitions. The power-on *mode* = LH. Note that CONF does not change the previous setting of SCSLOPE.

Scan Trigger Threshold (PERC)

For SCTRIG MEAS, a scan trigger is generated when the input signal reaches the percent of full-scale voltage set by PERC in the direction set by SCSLOPE. When autoranging is not used, the range of PERC is - 128% to +127% of the full-scale range (as set with RANGE or FUNC). Power-on PERC *threshold* value is 0% of full-scale range.

For example, with SCTRIG MEAS and the voltmeter set for DC volts on the 10.24V range (by RANGE 9 for example), PERC 67 sets $(10.24 \text{ v}) * (0.67) = 6.86$ volts as the input signal level which will generate a scan trigger. SCSLOPE LH sets low-to-high transitions (positive slope) while SCSLOPE HL sets high-to-low transitions (negative slope).

NOTE

If autoranging is used, the absolute trigger threshold value will change, based on the current range. Although the same percentage is used, since the full scale value is different for each range, a different absolute value results. Refer to "Measurements Using CONF and Low-Level Commands" for details.

Scan Trigger Delay (SCDELAY)

As shown in Figure 5-5, a delay time set by the SCDELAY *trig_delay* parameter occurs between the scan trigger and the first measure trigger on the first channel in the channel list. The SCDELAY *trig_delay* range is 0 to 0.01638375 sec with 0.25 μ sec resolution. At power-on, SCTRIG *trig_delay* = 0 sec. CONF sets 0.001 sec SCDELAY *trig_delay* (0.006 sec for OHM1M and OHMF1M).

Measure triggers which occur during the SCDELAY *trig_delay* period are ignored. The first reading is taken by the first measure trigger after the SCDELAY *trig_delay* time expires. For MEAS operation (with MEAS NSCAN *number* > 1), a scan trigger is required to start each scan sequence. Also, note that only one scan trigger occurs during each scan sequence.

Setting Measure Trigger Guidelines follow to set voltmeter measure trigger parameters for CONF and MEAS ribbon cable operation, including measure trigger sources (TRIG), measure trigger slope (SLOPE), measure trigger timing (SPER), and EXT0 port triggering (TRIGOUT).

As shown in Figure 5-5, each measurement is initiated with a measure trigger (*mt_i*). For NRDGS 1, the voltmeter makes one reading per channel in the channel list. For NRDGS > 1, the voltmeter makes NRDGS readings for each channel in the scan list. If TRIG INT (internal measure trigger) is set, SPER *sample_period* sets the time between measurements.

Measure Trigger Source (TRIG)

TRIG [*source*] [USE *ch*] sets the source or mode for the measure trigger. Power-on *source* is INT (internal trigger) and default *source* is SGL (single trigger). For Scanner Mode ribbon cable operation, CONF sets TRIG INT.

Although there are nine TRIG *source* parameters, TRIG MEAS is not valid for Scanner Mode and TRIG SCAN is not normally used for ribbon cable measurements. Also, when MEAS is used TRIG SGL, TRIG SCAN, and TRIG HOLD are not compatible for ribbon cable measurements since MEAS changes TRIG SGL, TRIG SCAN, and TRIG HOLD to TRIG INT. Table 5-10 summarizes TRIG *sources* for ribbon cable operation when MEAS is used. Refer to the HP 3852A Mainframe Configuration and Programming Manual for details on the TRG command.

Table 5-10. Measure Trigger (TRIG) Sources - Using MEAS

Source/mode	Description
SYS	System trigger (used with TRG command)
INT	Voltmeter generates internal measure triggers
EXT0	Input to EXT0 port generates measure triggers
EXT1	Input to EXT1 port generates measure triggers
GPIO	Input to GPIO port generates measure triggers

Measure Trigger Slope (SLOPE)

For TRIG EXT0, TRIG EXT1, or TRIG GPIO, the SLOPE *mode* [USE *ch*] command sets the edge (direction) of the input (LH or HL) which will generate the measure trigger. SLOPE LH sets low-to-high transitions (positive slope) while SLOPE HL sets high-to-low (negative slope) transitions. The power-on *mode* = LH. Note that the CONF command does not change the previous SLOPE setting.

Measure Trigger Timing (SPER)

As shown in Figure 5-5, when TRIG INT (internal trigger) is set the SPER *sample_period* [USE *ch*] command sets the time in seconds between the start of successive measure triggers (mt_1 to mt_2 , etc.). The SPER *sample_period* range is 0 to 1073.74182375 sec with 0.25 μ sec resolution. SPER *sample_period* settings from 0 to 10 μ sec are rounded to 10 μ sec. At power-on, SPER *sample_period* = 10 μ sec.

EXT0 Port Triggering (TRIGOUT)

The TRIGOUT [*mode*] [USE *ch*] command specifies whether or not the EXT0 port on the voltmeter rear panel will function as a measure trigger source. When enabled (TRIGOUT ON) the EXT0 port outputs a trigger signal that can be used to trigger other HP 44702A/B or HP 44704A voltmeters. When disabled (TRIGOUT OFF) the EXT0 port is set to receive trigger signals.

NOTE

When TRIGOUT ON is set, no trigger source (TRIG, SCTRIG, or STTRIG) can be set to EXT0.

Example: Setting Voltmeter Triggering

This program generates a scan trigger to start the scan pass when the input to channel 501 crosses 3.072 V in the negative (high-to-low) direction. No delay occurs from the scan trigger to the first measure trigger and each of the ten measurements is separated by 0.1 sec.

Since RANGE 9 sets the 10.24V range, PERC 30 and SCSLOPE HL set the voltmeter to generate a scan trigger when the input crosses 3.072 V ($10.24 \text{ V} \times .30 = 3.072 \text{ V}$) in the negative direction. SCDELAY 0 sets a 0 sec delay from the scan trigger to the first measure trigger on channel 501 and SPER . 1 sets 0.1 second between each measurement.

Note that CLWRITE 500 is used to set a “dummy” channel number so that SCTRIG MEAS can be set. This “dummy” channel is replaced by actual channel 501 when MEAS is executed.

```
10 DIM Volts(0:9)                ! Dimension controller array
20 OUTPUT 709;"USE 600"          ! Use voltmeter in mainframe slot 6
30 OUTPUT 709;"SCANMODE ON"     ! Set Scanner Mode
40 OUTPUT 709;"CONF DCV"        ! Set DC volts
50 OUTPUT 709;"RANGE 9"         ! Set 10.24V range
60 OUTPUT 709;"NRDGS 10"        ! Set 10 readings/channel
70 OUTPUT 709;"PERC 30"         ! Set 3.072 V as threshold
80 OUTPUT 709;"SCSLOPE HL"      ! Trigger on negative slope
90 OUTPUT 709;"SPER .1"         ! Set .1 sec between meas triggers
100 OUTPUT 709;"SCDELAY 0"       ! Set 0 sec scan trigger delay
110 OUTPUT 709;"CLWRITE 500"     ! Set dummy ch 500 as scan list
120 OUTPUT 709;"SCTRIG MEAS"    ! Scan trigger on threshold
130 OUTPUT 709;"MEAS DCV,501"   ! Measure channel 501
140 ENTER 709;Volts(*)           ! Enter 10 readings
150 PRINT USING "K,/";Volts(*)  ! Display 10 readings
160 END
```

For a decreasing ramp-type input to channel 501, a typical return (values in volts) is:

3.0725, 3.005, ... 0.0725

Measurements Using CONF and Low-Level Commands

This section shows how to use CONF and low-level commands for Scanner Mode ribbon cable measurements. The programming method will be to use CONF to set certain voltmeter parameters to a known state (preset values), modify the preset values as required with low-level commands, and use CHREAD or XRDGS to read and transfer the results. Using CONF and MEAS provides maximum programming flexibility and allows the voltmeter to be programmed for high-speed measurements.

NOTE

1. *Scanner Mode backplane measurements can be made but are not recommended. Voltmeter operation and commands in this section assume Scanner Mode ribbon cable (TERM RIBBON) operation.*

2. *Commands and examples in this section assume HP-IB operation (RDGS SYS). Therefore, maximum data transfer speed is 90,000 readings/second to the mainframe memory or about 35,000 readings/second to an HP series 200/300 controller. GPIO operation (RDGS GPIO) is required for data transfer at 100,000 readings/second. Refer to Chapter 7 - GPIO Operation for details on GPIO.*

Programming Overview

To program the voltmeter using CONF and low-level commands, first read "Scanner Mode Overview" for an overview of voltmeter architecture, Scanner Mode ribbon cable operation, CONF command preset values, and Scanner Mode low-level commands.

Then, refer to "Selecting Voltmeter Configuration", "Selecting Voltmeter Triggering" and/or to "Selecting Data Transfers/Interrupts" to select the specific parameters required for your measurement. When you have selected required parameters, program the voltmeter using the command sequence shown in Figure 5-6.

NOTE

For Scanner Mode ribbon cable operation using CONF, only the USE, SCANMODE ON, CONF, SCTRIG, and CHREAD or XRDGS commands are required to program the voltmeter. The other commands are optional and can be used as needed. Also, commands are not necessarily presented in the order shown in Figure 5-6. When using CONF and low-level commands, always program the voltmeter in the sequence shown in Figure 5-6.

Example: Getting Started

For example, suppose the CONF preset values are acceptable for your measurement except for the number of readings per channel (set with the NRDGS command), the scan trigger source (set with the SCTRIG command), and the reading storage mode (set with the RDGSMODE command).

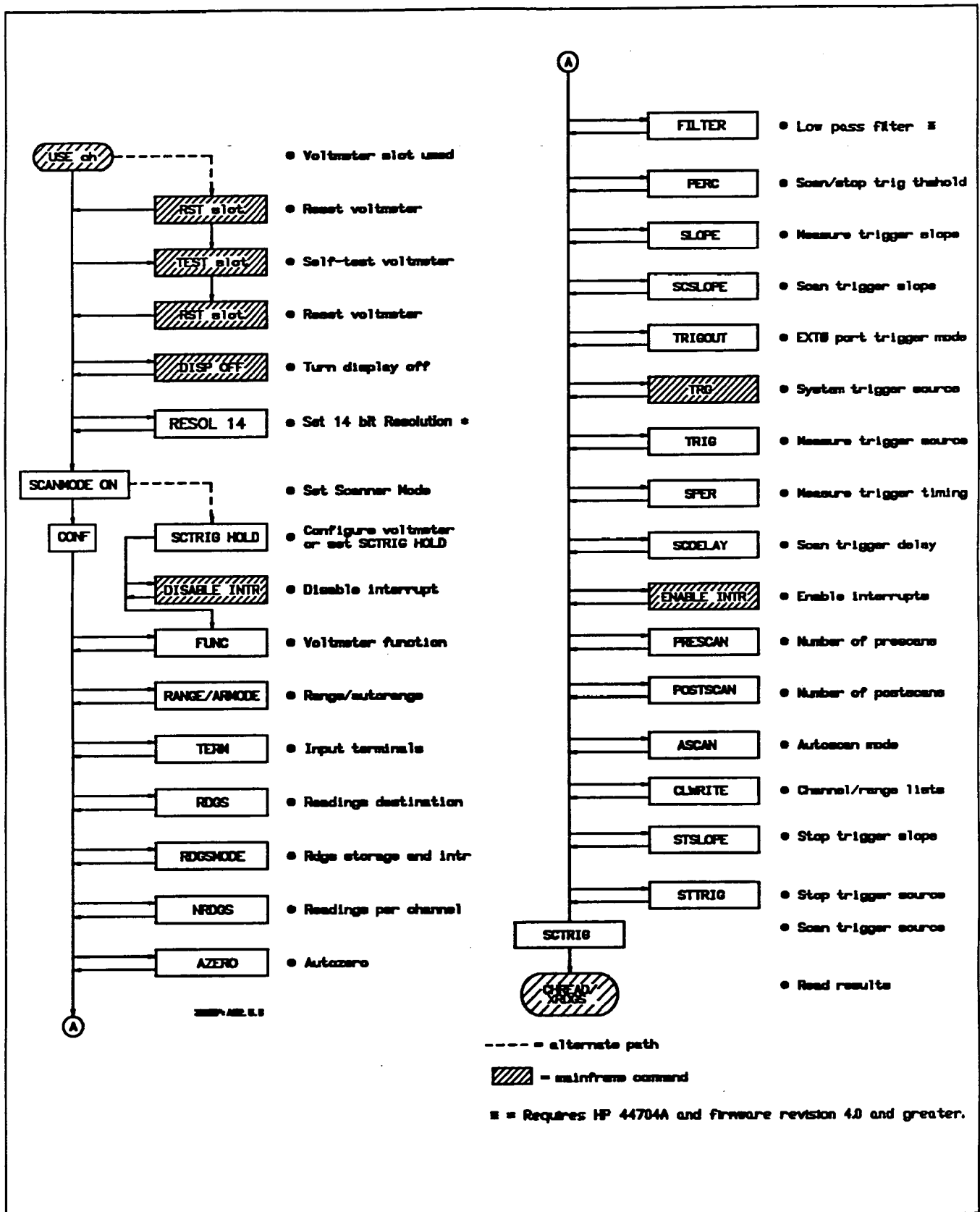


Figure 5-6. Low-Level Commands Programming Sequence

In this case, refer to “Selecting Voltmeter Configuration” to select the NRDGS parameter; to “Selecting Voltmeter Triggering” to select the SCTRIG parameter; and to “Selecting Data Transfers/Interrupts” to select the RDGSMODE parameter. Then, program the voltmeter using the command sequence in Figure 5-6.

Scanner Mode Overview

This overview shows simplified voltmeter command and data paths, describes voltmeter operation for Scanner Mode ribbon cable operation, summarizes Scanner Mode low-level commands, and lists the parameter values set by the CONF command (preset values).

Voltmeter Architecture

Figure 5-7 is a simplified block diagram of the voltmeter architecture for Scanner Mode ribbon cable operation showing the command and data paths.

Data Path

For ribbon cable operation, the voltmeter is connected to one or more HP 44711A/B, 44712A, or 44713A/B multiplexers via the ribbon cable. Multiple user inputs are sent via the multiplexers and the ribbon cable to the voltmeter. When a measure trigger occurs, the input is sampled and A/D conversion occurs (A/D conversion requires 10 μ sec).

When A/D conversion occurs, the result is transferred via the 16-bit data bus to the data buffer. Stored measurement data can then be transferred to the mainframe or to the GPIO port. The data buffer stores readings in 16-bit integer form. The HP 44702A data buffer can hold up to 8,192 (8k) readings, while the HP 44702B and HP 44704A data buffer can hold up to 65,536 (64k) readings. The data buffer has three main “data available” modes, as shown in Figure 5-7. Refer to “Readings Storage Mode (RDGSMODE)” for details on reading storage modes.

Command Path

The voltmeter has an on-board microprocessor which accepts commands from the mainframe. With ribbon cable operation the voltmeter is capable of independent operation. That is, the voltmeter is configured by commands issued from the mainframe and can then operate independently via the ribbon cable to take and store measurements.

An important part of the command path is the Scan RAM. The microprocessor downloads a channel list for measurements and a range list for the voltmeter into the Scan RAM which can hold up to 4,096 16-bit words. For ribbon cable operation, the Scan RAM acts to open and close the appropriate multiplexer channels for measurements. (The Scan Control is used with triggering and will be discussed in “Selecting Voltmeter Triggering”.)

DAV and END

Data is available when any reading is stored. If the buffer fills, no more readings are entered and scan sequence stops.

BURST

Data is available when the buffer has room for only 4096 more readings. If the buffer fills, no more readings are entered and the scan sequence does not stop.

COMPLETE

Data is available when any reading is stored. If the buffer and the scan sequence does not stop.

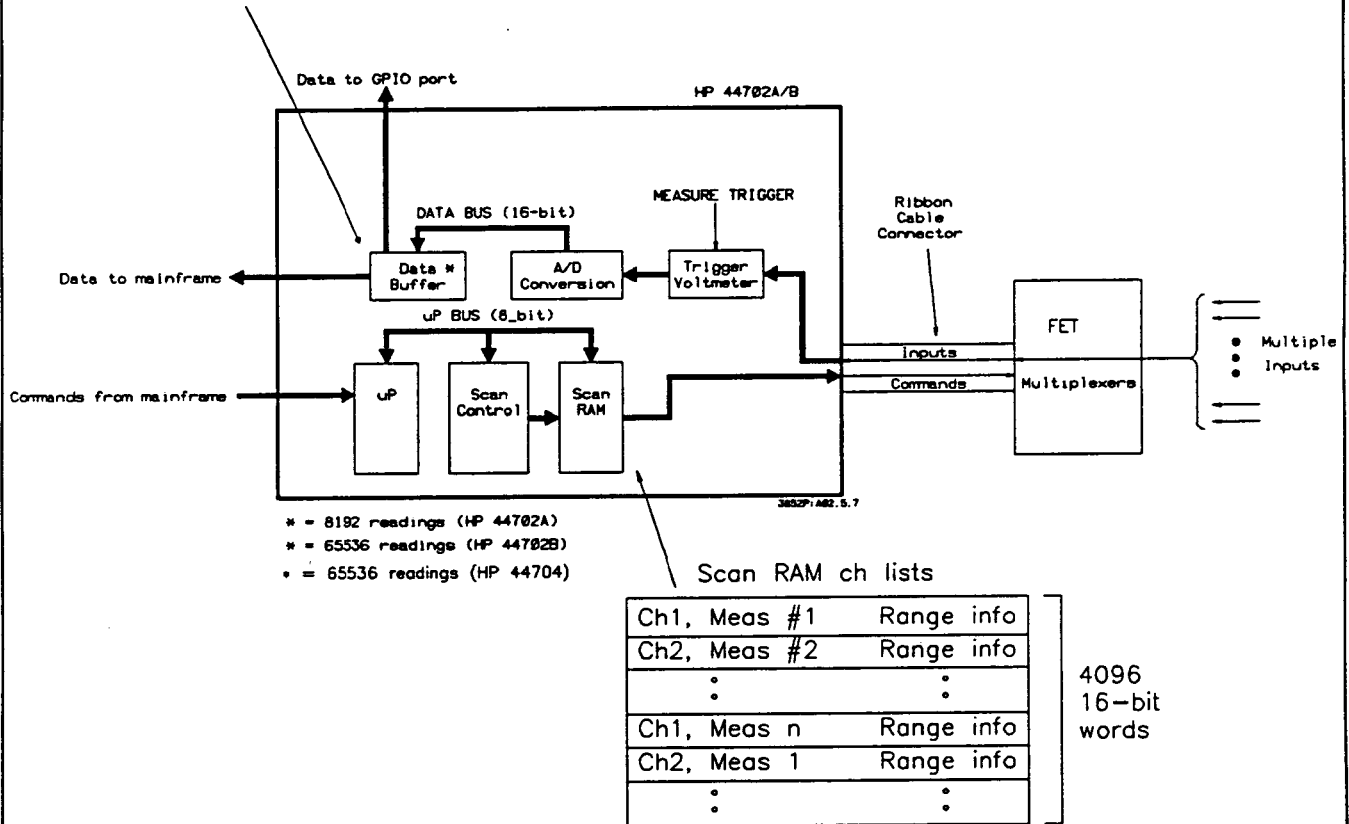


Figure 5-7. Voltmeter Command and Data Paths

For example, if two channels are to be measured with five measurements on each channel, the Scan RAM contents are as shown in Table 5-11.

Table 5-11. Typical Scan RAM Contents

ch 1, measurement 1	range, ch 1
ch 1, measurement 2	range, ch1
:	:
ch 1, measurement 5	range, ch 1
ch 2, measurement 1	range, ch 2
:	:
ch 2, measurement 5	range, ch 2
:	:

Voltmeter Operation Figure 5-8 shows the voltmeter scan sequence and summarizes applicable commands for Scanner Mode ribbon cable operation. The scan sequence does not include voltmeter configuration and reference measurements made by CONF.

The commands in Figure 5-8 are grouped into the three categories discussed in this section: voltmeter configuration, voltmeter triggering, and data transfers and interrupts. Refer to "Low-Level Commands" (Table 5-13) for further information on the commands. A description of the scan sequence follows.

Scan Sequence

A "scan sequence" consists of all voltmeter actions which occur after the scan trigger is enabled to start the scan until the scan sequence ends. A scan sequence consists of at least n prescan passes (as set with PRESCAN) plus m postscan passes as set with POSTSCAN).

A "scan pass", in turn, consists of NRDGS measurements (as set with NRDGS) on each channel in the scan list. There are three types of triggers which control the operation: the scan trigger, the measure trigger, and the stop trigger.

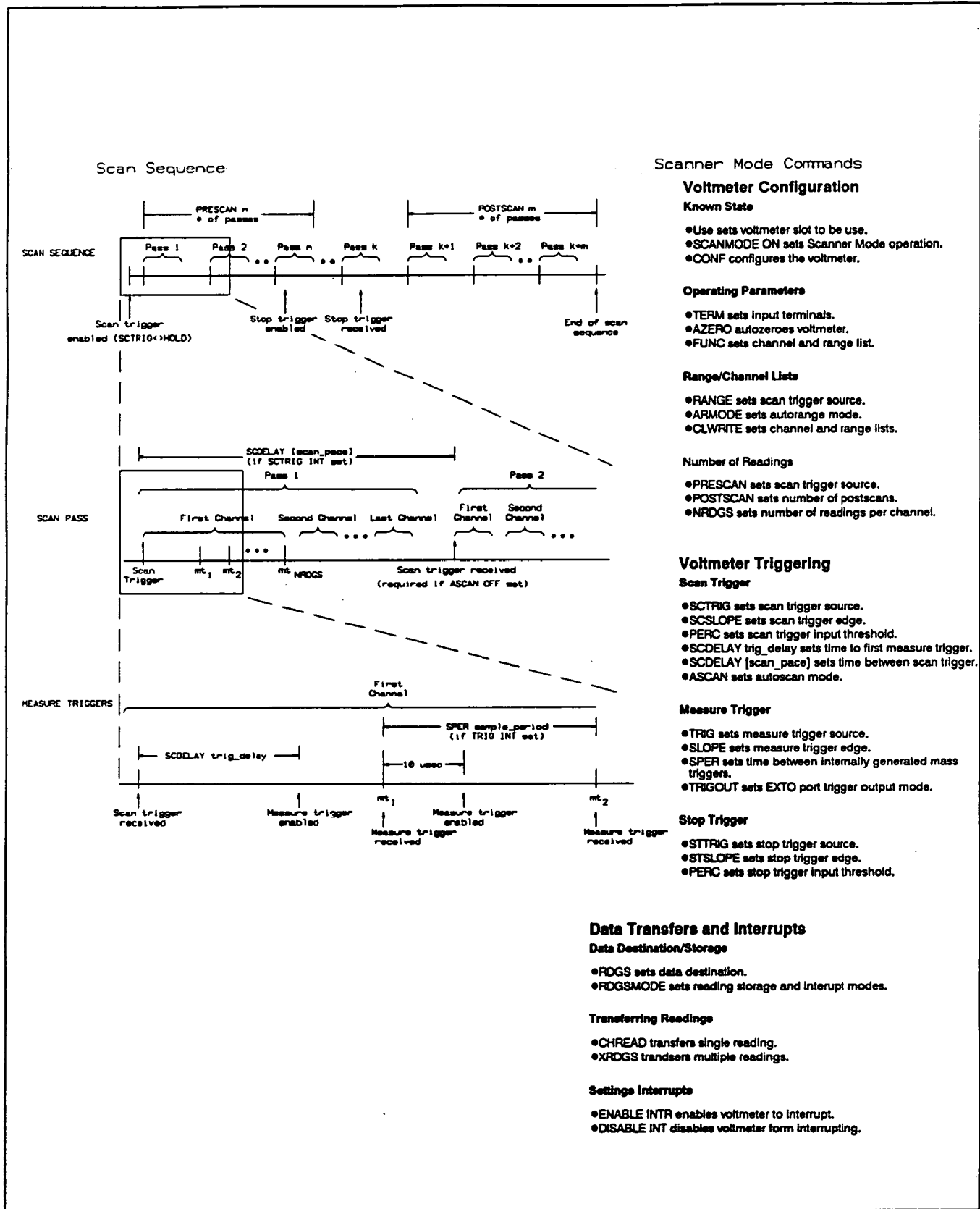


Figure 5-8. Voltmeter Scan Sequence

Scanner Mode Commands

Voltmeter Configuration

Known State

- Use sets voltmeter slot to be use.
- SCANMODE ON sets Scanner Mode operation.
- CONF configures the voltmeter.

Operating Parameters

- TERM sets input terminals.
- AZERO autozeroes voltmeter.
- FUNC sets channel and range list.

Range/Channel Lists

- RANGE sets scan trigger source.
- ARMODE sets autorange mode.
- CLWRITE sets channel and range lists.

Number of Readings

- PRESCAN sets scan trigger source.
- POSTSCAN sets number of postscans.
- NRDGS sets number of readings per channel.

Voltmeter Triggering

Scan Trigger

- SCTRIG sets scan trigger source.
- SCSCOPE sets scan trigger edge.
- PERC sets scan trigger input threshold.
- SCODELAY [scan_pace] sets time to first measure trigger.
- SCODELAY [scan_pace] sets time between scan trigger.
- ASCAN sets autoscan mode.

Measure Trigger

- TRIG sets measure trigger source.
- SLOPE sets measure trigger edge.
- SPER sets time between internally generated mass triggers.
- TRIGOUT sets EXTO port trigger output mode.

Stop Trigger

- STTRIG sets stop trigger source.
- STSLOPE sets stop trigger edge.
- PERC sets stop trigger input threshold.

Data Transfers and Interrupts

Data Destination/Storage

- RDGS sets data destination.
- RDGSMODE sets reading storage and interrupt modes.

Transferring Readings

- CHREAD transfers single reading.
- XRDGS transfers multiple readings.

Settings Interrupts

- ENABLE INTR enables voltmeter to interrupt.
- DISABLE INT disables voltmeter from interrupting.

The scan sequence is started with a scan trigger. When the scan trigger is enabled (SCTRIG is set to other than HOLD), the voltmeter makes *n* prescan passes. The stop trigger is enabled on the *n*th pass. When the stop trigger is received from the source set by STTRIG (on the *k*th pass), the voltmeter completes the *k*th pass and makes *m* postscan passes through the scan list.

For example, with PRESCAN 3 and POSTSCAN 4 the voltmeter makes at least seven passes through the scan list. The stop trigger is enabled on the third prescan pass. If the stop trigger is also received on the third prescan pass, the voltmeter makes seven passes (three prescan + four postscan). However, if the stop trigger is received during the tenth pass, the voltmeter makes 14 passes (ten prescan + four postscan).

Scan Pass

As noted, a scan pass consists of NRDGS measurements on each channel in the scan list as defined with CLWRITE. Each measurement is initiated by a measure trigger (*mt*₁, etc. in Figure 5-8). If NRDGS 1 is set, one measurement is made on each channel. For NRDGS 1, NRDGS measurements are made on each channel.

For example, with NRDGS 1 and five channels in the scan list, five measurements (one for each channel) are made in each pass. With NRDGS 5 and five channels in the scan list, 25 measurements are made.

Two commands affect the time between passes: ASCAN and SCDELAY. If ASCAN ON is set, a single scan trigger is required to start the first pass, all subsequent passes are started automatically, and the SCDELAY *trig_delay* delay time occurs only for the first pass.

With ASCAN OFF, a separate scan trigger is required to start each pass and the SCDELAY *trig_delay* delay time applies to all passes. When TRIG INT is set, the SCDELAY [*scan_pace*] parameter sets the time between the start of successive passes.

Measure Triggers

There is a measure trigger for each measurement. The SCDELAY *trig_delay* parameter sets the delay from the time the scan trigger is received until the measure trigger is enabled (not the delay time to the first measurement).

When the measure trigger is received (*mt*₁), the first measurement is made. Each measurement requires 10 μ sec, after which the measure trigger is re-enabled. If TRIG INT is set, the SPER *sample_period* parameter sets the time between measure triggers.

Stop Trigger

The stop trigger is enabled after the start of the *n*th prescan pass and is accepted on the *k*th pass ($k \geq n$). For example, if PRESCAN 3 is set (three prescan passes), the stop trigger is enabled on the third prescan pass. If the stop trigger is received during the third or subsequent passes, the trigger will be accepted. Stop triggers received before the third pass are ignored.

CONF Preset Values Since the CONF command is the starting point for voltmeter configuration, the values set by the CONF command (preset values) for Scanner Mode operation are listed here. Use the CONF preset values to determine which (if any) voltmeter configuration, triggering, or data transfer and interrupt parameters need to be modified.

CONF *function* [USE *ch*] configures the voltmeter parameters shown to a known state. That is, setting CONF is equivalent to setting the commands shown in Table 5-12 in the order shown. SCANMODE ON must be set prior to CONF to obtain the settings in Table 5-12. (Note that SADV and STRIG do not apply to Scanner mode ribbon cable operation.)

Table 5-12. CONF Preset Values - Scanner Mode Operation

Command/Parameter	Definition
SADV SCAN	Advance scan when readings are available [1]
STRIG SCAN	Start scan immediately [1]
SCTRIG HOLD	Scan trigger is disabled[2]
TRIG INT	Internal measure trigger source.
STTRIG INT	Internal stop trigger source,
FUNC DCV or OHMxx	As appropriate for CONF function parameter.
RANGE AUTO	Autorange mode. [3]
TERM RIBBON	Ribbon cable is the input source.
NRDGS 1	One reading per channel.
RDGS SYS	Readings are returned to the mainframe.
RDGSMODE DAV	Reading is available when any reading stored.
ARMODE AFTER	Autorange after measure trigger is received.
ASCAN OFF	Autoscan off.
SCDELAY .001, .001	1 msec scan trig-delay
SPER .001	1 msec between measurement triggers,
PRESCAN 1	1 prescan before stop trigger accepted.
POSTSCAN 0	0 postscans after stop trigger accepted.
AZERO ONCE	1 Autozero once.

Notes:

[1] = Does not apply to Scanner Mode ribbon cable operation.

[2] = For CONF TEMPxx, mainframe firmware revisions before revision 2.2 set the 320 mV range for xx = E, J, K, and N14 [N(AWG 14)] and set the 40 mV range for xx = B, R, S, T, and N28[N(AWG 28)].

[3] = CONF OHM1M and CONF OHMF1M set 6 msec trigger-delay and 6 msec scan-pace.

Low-Level Commands Table 5-13 is an alphabetical summary of Scanner Mode low-level commands with power-on and default parameters (as applicable). If a command (such as SCDELAY or FUNC) has two parameters, the command is listed twice, once for each parameter. Refer to the HP 3852A Command Reference Manual and/or to “Scanner Mode Command Summary” at the end of this chapter for details on the commands.

Table 5-13. Scanner Mode Low-Level Commands

Command	Description	Power-On	Default	Note
ARMODE mode	Autorange mode	AFTER	-	
ASCAN [mode]	Autoscan mode	OFF	ON	
AZERO [mode]	Autozero mode	ONCE	ONCE	
CAL	Service cmd	-	-	[1]
CHREAD ch	Make single rdg	-	-	
CLWRITE ch_list	Channel list	-	-	
CLWRITE [ribbon_bus]	Ribbon cable conn	-	SENSE	
CLWRITE [RANGE range_list]	Range list	-	AUTO	
DISABLE INTR	Disable intr	disabled	-	[2]
ENABLE INTR	Enable intr	disabled	-	
FUNC function	Meas function	DCV	-	
FUNC [range]	Meas range	AUTO	AUTO	
NRDGS number	Rdgs/channel	1	-	
PERC threshold	Trigger threshold	0%	-	
POSTSCAN number	Number postscans	0	-	
PRESCAN number	Number prescans	1	-	
RANGE [range]	Voltmeter range	AUTO	AUTO	
RDGS dest	Readings dest	SYS	-	
RDGSMODE mode	Rdgs storage	DAV	-	
SCANMODE [mode]	Operating mode	OFF	ON	
SCDELAY trig_delay	Scan trigger delay	0 msec	-	
SCDELAY [scan_pace]	Time between scan triggers	2 ms	unchgd	[3]
SCSLOPE mode	Scan trigger slope	LH	-	[4]
SCTRIG [source]	Scan trigger source	HOLD	HOLD	
SLOPE mode	Meas trigger slope	LH	-	[5]
SPER sample_period	Meas trigger timing	10 μ sec	-	
STSLOPE mode	Stop trigger slope	LH	-	[6]
STTRIG [source]	Stop trigger source	INT	SGL	
TERM terminal	Input terminals	EXT	-	
TRIG [source]	Meas trigger source	INT	SGL	
TRIGOUT [mode]	EXT0 mode	OFF	ON	
USE ch	Slot or chan used	Low valid ch/slot	-	[7]
XRDGS ch	Voltmeter slot	-	-	
XRDGS [number]	Number of readings	1	1	

Notes:

- [1] = Refer to HP 3852A Assembly Level Service Manual.
- [2] = Interrupts disabled at power-on.
- [3] = SCDELAY [scan_pace] used only when SCTRIG INT is set.
- [4] = Used only when SCTRIG EXT0, EXT1, MEAS, or GPIO is set.
- [5] = Used only when TRIG EXT0, EXT1, or GPIO is set.
- [6] = Used only when STTRIG EXT0, EXT1, MEAS, or GPIO is set.
- [7] = Low valid ch/slot (may or may not be the voltmeter slot).

Selecting Voltmeter Configurations

Guidelines to select voltmeter configuration parameters for Scanner Mode ribbon cable measurements follow. Table 5-14 shows a suggested sequence to select the parameters, refer to “Selecting Voltmeter Triggering” and/or to “Selecting Data Transfers/Interrupts”, as required. Then, program the voltmeter for your measurement using the sequence in Figure 5-6.

NOTE

The commands in Table 5-14 are not necessarily described in the order shown in Figure 5-6. Always program the voltmeter as shown in Figure 5-6.

Table 5-14. Voltmeter Configuration Parameters

Action	Commands	Definition
Set Known State	USE ch SCANMODE ON CONF	Voltmeter slot used Set Scanner Mode Configure voltmeter
Set Operating Parameters	FUNC AZERO TERM	Voltmeter function Autozero Input terminals
Set Range/Channel Lists	RANGE ARMODE CLWRITE	Voltmeter range Autorange mode Channel/range lists
Set Number of Readings	PRESCAN POSTSCAN NRDGS	Number of prescans Number of postscans Readings per channel

Setting Known state To begin programming the voltmeter, first set the system to a known State with the USE, SCANMODE, and CONF commands.

Voltmeter Slot (USE) Set the voltmeter slot to be used with USE *ch*. (Recall that the voltmeter uses two slots and the lowest slot is used for programming.)

NOTE

The DISP command turns the mainframe display on or off. Turning the display off greatly improves system performance by speeding up command execution and is highly recommended for high-speed measurements.

Set Scanner Mode (SCANMODE) At power-on or after a reset, the voltmeter is set for System Mode operation (SCANMODE OFF). For Scanner Mode measurements, set the voltmeter to Scanner Mode with SCANMODE ON.

Configure Voltmeter (CONF) When the *USE ch* and *SCANMODE ON* have been set, configure the voltmeter to a specified state with *CONF* (refer to Table 5-12). If *CONF* is not used, set *SCTRIG HOLD* as the first command after *SCANMODE ON*. Note that no commands except *RST*, *ENABLE INTR*, *DISABLE INTR*, and *SCTRIG* are allowed unless *SCTRIG HOLD* is set.

Setting Operating Parameter Voltmeter operating parameters which can be set include the input terminals (*TERM*) and autoscan mode (*ASCAN*). You can also set the autozero control mode with *AZERO*.

Input Terminals (TERM) *TERM terminal [USE ch]* sets the input source to the voltmeter. For scanner Mode, *TERM RIBBON* sets the ribbon cable as the input, *TERM INT* sets the backplane bus, and *TERM EXT* selects the rear panel terminals.

Note that power-on *TERM terminal = EXT*, but *CONF* sets *TERM RIBBON*. (*TERM ZERO* can also be selected - refer to the HP 3852A Assembly Level Service Manual for details on *TERM ZERO*). Unless noted, all examples use ribbon cable (*TERM RIBBON*) operation.

Autozero (AZERO) When *CONF* is executed, the voltmeter makes a single autozero measurement at the beginning of the measurement sequence. However, as required, you can also use *AZERO ONCE* to autozero the voltmeter. When *AZERO ONCE* is executed, the voltmeter nulls out its internal circuitry offsets. Using *AZERO ONCE* does not impose a time penalty during scanning.

Voltmeter Function (FUNC) *FUNC function [name] [USE ch]* selects a measurement function and a measurement range, where *function* selects the measurement function and *[range]* selects a measurement range or the autorange mode. Only *DCV*, *OHMF10K*, *OHMF100K*, or *OHMF1M* can be used for *FUNC function*.

To select the *FUNC* measurement range, you must specify the expected maximum signal amplitude or maximum resistance. The voltmeter then selects the correct range. To set autorange, use the word *AUTO* or the number 0 for *[range]*. Power-on and default *FUNC [range] = AUTO*.

Table 5-15 shows the voltmeter range selected by *FUNC [range]* for DC voltage and 4-wire ohms ranges. In Table 5-15, any value between the ranges shown selects the range shown. For example, if the voltmeter is configured for DC voltage, any value of *FUNC [range] > 0.32* through 2.56 sets the voltmeter to the 2.56V range.

Table 5-15. FUNC [range] Values*

DCV		OHMF10K	
range	Selects Range	range	Selects Range
0 or AUTO	Autorange	0 or AUTO	Autorange
> 0 - .040	40 mV	> 0 - 40	40 Ω
> .04 - .32	320 mV	> 40 - 320	320 Ω
> .32 - 2.56	2.56V	> 320 - 2560	2.56 kΩ
> 2.56 - 10.24	10.24V	> 2560 - 10240	10.24 kΩ
OHMF100K		OHMF1M	
range	Selects Range	range	Selects Range
0 or AUTO	Autorange	0 or AUTO	Autorange
> 0 - 400	400 Ω	> 0 - 4000	4 kΩ
> 400 - 3200	3.2 kΩ	> 4000 - 32,000	32 kΩ
> 3200 - 25600	25.6 kΩ	> 32,000 - 256,000	256 kΩ
> 25600 - 102400	102.4 kΩ	> 256,000 - 1,024,000	1.024 MΩ

* = DCV, OHMF10K, OHMF100K, and OHMF1M are voltmeter measurement functions as set by CONF or FUNC, at power-on, or by a reset (RST)

Setting Range/ Channel Lists Voltmeter range/channel list parameters which can be set include the voltmeter range (RANGE), autorange mode (ARMODE), and channel/range lists (CLWRITE).

Voltmeter Range (RANGE) At power-on, after a reset (RST or RST slot), or when CONF is executed, the voltmeter is set for autorange mode. RANGE [range] [USE ch] sets the voltmeter range or sets autorange. To determine the voltmeter range, you must specify the maximum expected signal amplitude or the maximum expected resistance. The voltmeter then automatically selects the correct range.

Autorange is selected by entering the word AUTO or the number 0 for the RANGE [range] parameter. Values for RANGE [range] are the same as those for FUNC [range] in Table 5-15 (refer to "Voltmeter Function (FUNC)").

Autorange Mode (ARMODE) When autoranging is enabled (with CONF, FUNC, RANGE, etc.), ARMODE mode [USE ch] sets the autorange mode. ARMODE has two modes: Immediate Mode (ARMODE BEFORE) and Delayed Mode (ARMODE AFTER) which is the power-on mode. As shown in Figure 5-9, each measurement is initiated by a measure trigger and requires 10 μsec to complete.

When a measurement completes, the measure trigger is re-enabled for the next measurement. Actual time between the start of successive measurements (between measure triggers) depends on several factors, such as the CONF setting, TRIG source, etc.

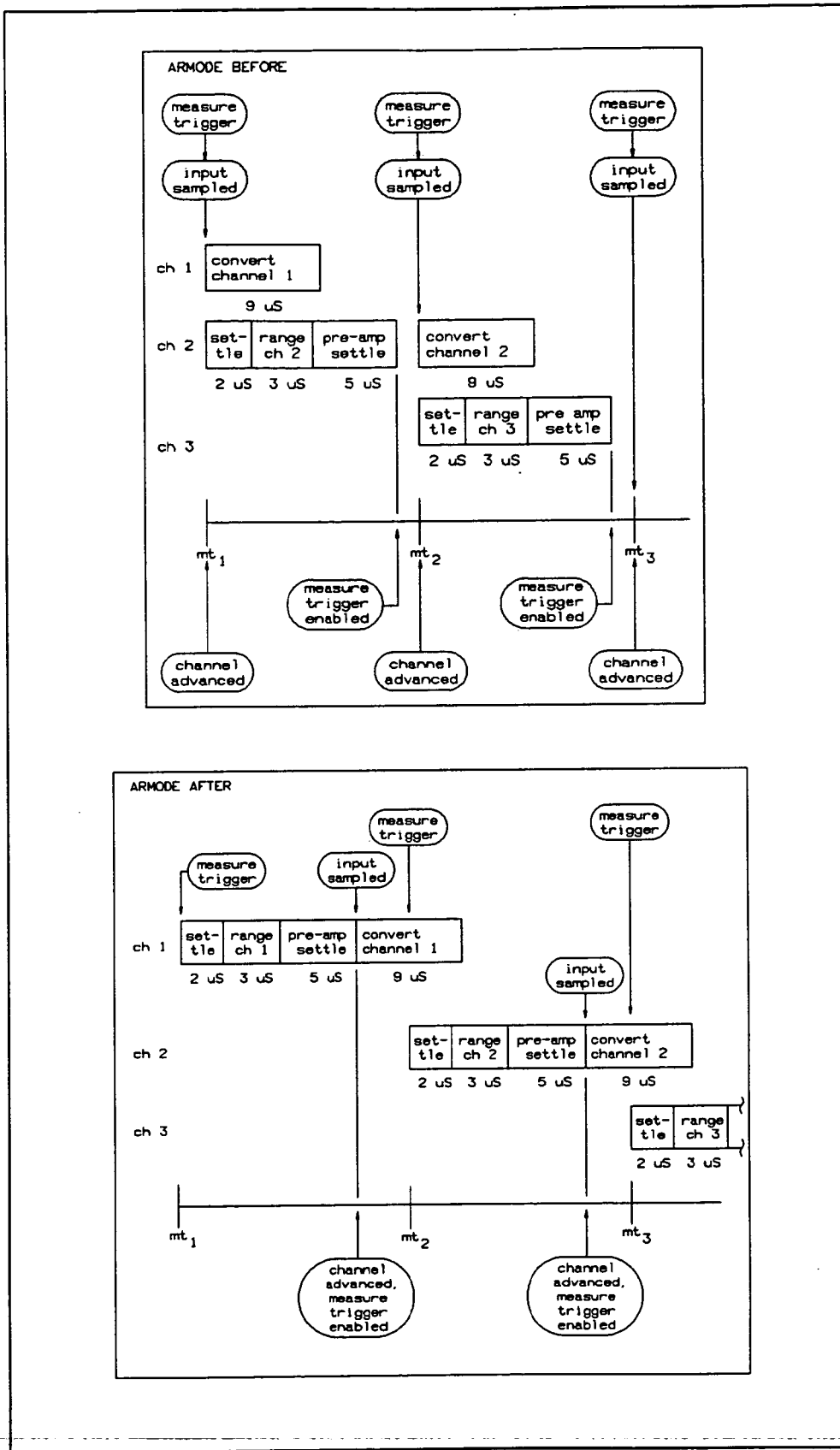


Figure 5-9. Autorange Modes

Immediate Mode (ARMODE BEFORE)

With ARMODE BEFORE, the input is sampled immediately when the measure trigger is received. For ribbon cable operation, the voltmeter advances to the next channel and autoranges on that channel during the A/D conversion time of the current channel.

As shown in Figure 5-9, with ARMODE BEFORE and autoranging enabled, the channel 1 input is immediately sampled when measure trigger mt_1 is received and the multiplexer is advanced to channel 2. During the time the channel 1 measurement is being converted, the voltmeter autoranges on channel 2. After $10 \mu\text{sec}$, the measure trigger is re-enabled.

When the next measure trigger (mt_2) is received, the channel 2 input is immediately sampled, the multiplexer is advanced to channel 3, and the voltmeter autoranges on channel 3, etc.

The advantage of using ARMODE BEFORE is that the input is sampled immediately when the measure trigger is received (necessary for FFT-type applications). However, with ARMODE BEFORE, since the autorange for the next channel is made at the same time as the data conversion for the current channel, an incorrect range may be used for the next channel if a long delay occurs until the next trigger.

In addition, when the measurement sequence is first started, if the multiplexer is set to an unknown state, the voltmeter immediately samples the preamplifier output and advances the scan to the first channel (channel 1).

For these conditions, the first measurement may not contain valid data and should be disregarded. Thus, you should carefully check the first reading when ARMODE BEFORE is set and the multiplexer is in an unknown state when the measurement sequence begins.

Delayed Mode (ARMODE AFTER)

With ARMODE AFTER, when a measure trigger is received the voltmeter first autoranges on the channel, then samples the input, and then does the A/D conversion. For example, as shown in Figure 5-9 when the measure trigger for channel 1 (mt_1) is received, the voltmeter autoranges on channel 1 and (after a $5 \mu\text{sec}$ delay) samples the channel 1 input. When the measure trigger for channel 2 (mt_2) is received, the sequence is repeated for channel 2, etc.

Since only 5 μ sec elapses between autoranging and input sampling, the range selected is valid unless the signal rate of change is greater than about 1000 volts/second.

Channel/Range Lists (CLWRITE) For Scanner Mode ribbon cable measurements, CLWRITE [*ribbon_bus*] *ch_list* [RANGE *range_list*] [USE *ch*] is used to set a channel list and an associated range list.

NOTE

For ribbon cable operation, a scan list must be defined with CLWRITE before the scan trigger (SCTRIG) can be set to a source other than HOLD. Refer to "Scan Trigger Source (SCTRIG)" for details on the SCTRIG command.

Specify Ribbon Cable Connections

CLWRITE [*ribbon_bus*] specifies the ribbon cable hardware connections: SENSE (default), COM, SEP, REFT, or STRVEX as defined in Table 5-16. SENSE is used for DC voltage measurements, COM for 2-wire ohms measurements, and SEP for 4-wire ohms measurements. REFT allows thermocouple reference temperatures to be scanned. STRVEX allows the excitation voltage on strain gage multiplexers to be scanned. (REFT and STRVEX are valid only for mainframe firmware revision 2.2 and greater.)

Table 5-16. CLWRITE [*ribbon_bus*] Parameters

Ribbon_bus	Description
SENSE	Sets the ribbon cable for voltmeter Sense bus only. Voltmeter current source is disconnected. Used for DC voltage measurements only.
COM	Both the voltmeter Sense bus and the current Source bus are connected in the multiplexer accessory. Used for 2-wire ohms measurements only.
SEP	Both the voltmeter Sense bus and the current Source bus are available to the user. The voltage Sense connects to Bank A and the current Source connects to Bank B. Specify only the Bank A channels in the ch-list, since the respective channels in Bank B will close automatically. Used for 4-wire ohms measurements only.
REFT*	Scan the reference (thermistor) temperature on thermocouple channels in the scan list.
STRVEX*	Scan excitation voltage for strain gage multiplexer channels in the scan list.
Notes:	
* = Applies only to mainframe revisions 2.2 and greater	

Specify Channel List

CLWRITE *ch_list* specifies the channel list. Since CLWRITE is valid only for ribbon cable measurements, all channels in the *ch_list* must be connected by ribbon cable to the voltmeter.

With two exceptions, [NRDGS *number*] times [number of channels - 1] must be <4095. For NRDGS 1, the maximum number of readings per channel is 4,096. For one channel in the scan list, you can use NRDGS 65535 (NRDGS 8192 for the HP 44702A). Refer to “Number of Readings (NRDGS)” for details on channel list length.

- Channel List vs. Range List:

Each item in the [RANGE *range_list*] parameter is associated with a corresponding channel or channel sequence (*ch_list*). If the number of items in [RANGE *range_list*] is less than the number of channels or channel sequences, the current range as set by the RANGE command is used for the remaining channels.

If the number of items in [RANGE *range_list*] is greater than the number of channels or channel sequences, ERROR 21 - TOO MANY ARGS is generated. For example, CLWRITE 500-519,RANGE 2, 10 generates an error since there are two range list entries (2 and 10), but only one channel list sequence (500-519).

- Channel List Greater Than 10 Items:

To use a channel list of more than 10 items with CLWRITE, use an INTEGER array to store the channel numbers and then specify the array name for the *ch_list* parameter. When the array is declared, a valid channel address must be in each element of the array. There can be no empty or “extra” array elements.

NOTE

Multiple CLWRITE commands cannot be used to specify a continuous channel list. Each CLWRITE command will overwrite the previous channel list. Thus, the channel list actually used for the measurement is that specified by the last CLWRITE command.

Specify Range List

As noted, the [RANGE *range_list*] parameter specifies the list of voltmeter ranges which correspond to the channels to be scanned. Entries in [RANGE *range_list*] apply to corresponding entries in *ch_list*. One range can be used for the entire *ch_list* or separate ranges can be used for the corresponding channels and/or channel sequences.

The value(s) you specify for [RANGE *range_list*] should be the maximum signal amplitude expected on each channel (for voltage measurements) or the maximum resistance expected on each channel (for resistance measurements). The voltmeter then selects the correct range.

To select autorange for a channel and/or channel sequence, specify the word AUTO or the value 0 for [RANGE *range_list*]. In autorange mode, the voltmeter samples the input signal and selects the appropriate range before each measurement. Default setting is the last programmed RANGE command value.

If [RANGE *range_list*] is not specified, the last programmed RANGE command value is used for all channels specified by CLWRITE. If the RANGE command is executed after CLWRITE, the range set by RANGE is used for all channels specified by CLWRITE and the range values which were specified by CLWRITE are cancelled.

NOTE

Changing NRDGS after sending CLWRITE will not affect the old ch_list.

To use a range list of more than 10 items with CLWRITE, use a REAL array to store the range numbers and then specify the array name for the [RANGE *range_list*] parameter. When the array is declared, a valid range must be in each element of the array. There can be no empty or "extra" array elements.

Example: Setting Channel/Range Lists

CLWRITE sets channel lists, voltmeter ranges and ribbon cable connections for Scanner Mode ribbon cable measurements. This program uses CLWRITE to set channels 500 through 509 as the scan list and set the 10.24V range for measurement on each channel. The program takes one measurement on each channel for a total of ten measurements.

Since CONF DCV sets DC voltage measurements, the optional CLWRITE [*ribbon_bus*] parameter is not used and the ribbon cable is configured for DC volts (since SENSE is the default parameter). The CLWRITE [RANGE *range_list*] parameter is set for RANGE 9 which sets the 10.24V range for each channel.

```

10 DIM A(0:9)                                ! Define controller array
20 OUTPUT 709;"USE 600"                       ! Use voltmeter in mainframe slot 6
30 OUTPUT 709;"SCANMODE ON"                  ! Set Scanner Mode
40 OUTPUT 709;"CONF DCV"                     ! Configure for DC volts
50 OUTPUT 709;"CLWRITE 500-509,RANGE 9" ! Set scan list and range
60 OUTPUT 709;"SCTRIG INT"                   ! Trigger the voltmeter
70 OUTPUT 709;"XRDGS 600"                   ! Read 10 readings
80 ENTER 709;A(*)                            ! Enter 10 readings
90 PRINT USING "K,/";A(*)                    ! Display 10 readings
100 END

```

For a set of 9 V 5% sources connected to channels 500 through 509, a typical return (values in volts) is:

8.99, 9.015, ... 8.925

Setting Number of Readings As shown in Figure 5-8, after the scan trigger is enabled the voltmeter makes at least *n* prescan passes (set with PRESCAN) and *m* postscan passes (set with POSTSCAN). For each channel in the scan list, the voltmeter makes NRDGS readings (as set with NRDGS). Guidelines follow to use NRDGS, POSTSCAN, and PRESCAN to set the number of readings taken by the voltmeter.

Number of Prescans (PRESCAN) PRESCAN *number* [USE *ch*] sets the number of passes the voltmeter makes through the scan list before a stop trigger is accepted. The range of *number* is 0 to 65,535 with power-on *number* = 1. CONF sets PRESCAN 1.

Prescan Operation

As shown in Figure 5-8, after the scan trigger is enabled the voltmeter makes *n* prescan passes through the scan list and the stop trigger is enabled on the *n*th pass. When the stop trigger is received (on the *k*th pass), the voltmeter completes the *k*th pass and makes *m* postscan passes.

For example, with PRESCAN 3 the stop trigger is enabled on the third pass. If the stop trigger is also received on the third pass, the voltmeter makes three prescan passes. However, if the stop trigger is received on the sixth pass, the voltmeter makes six prescan passes.

Interaction With Stop Trigger

If both PRESCAN and POSTSCAN are set to 0, the scan sequence may return no results. If STTRIG INT (internal stop trigger) is set, one pass will always be done (even if POSTSCAN 0 is set) since STTRIG INT will generate a stop trigger at the end of each pass. With STTRIG MEAS, at least two passes will be made. For other STTRIG sources, zero passes of the scan list may occur. Refer to “Stop Trigger Source (STTRIG)” for details on the STTRIG command.

Interaction with Readings Storage Mode

When RDGSMODE COMPLETE is set, data in the buffer is trimmed to exactly (PRESCANS + POSTSCANS) scan passes if the data will all fit in the buffer. If the data will not all fit, the last buffer load of data taken is stored (the last 8,192 readings for an HP 44702A or the last 65,536 readings for an HP 44702B or HP 44704A).

For example, with PRESCAN 3 and POSTSCAN 4 and RDGSMODE COMPLETE set, the resultant data in the buffer is from the last three prescans before the stop trigger and the four postscans after the stop trigger (assuming the buffer can hold the data from the seven scans). Refer to “Readings Storage Mode (RDGSMODE)” for details on the RDGSMODE command.

Number of Postscans (POSTSCAN) POSTSCAN *number* [USE *ch*] sets the number of postscan passes the voltmeter will make after the stop trigger is accepted. The range of *number* is from 0 to 65,535 with power-on *number* = 0. CONF sets POSTSCAN 0.

As shown in Figure 5-8, when the stop trigger is received the voltmeter makes *m* postscan passes where *m* is set with POSTSCAN *number*. For example, with POSTSCAN 4, the voltmeter makes four passes after completing the pass in which the stop trigger is accepted.

Number of Readings (NRDGS) NRDGS *number* [USE *ch*] sets the number of readings per channel for each channel in the scan list. The range for *number* is 1 to 65,535 with power-on *number* = 1. As shown in Figure 5-8, a measurement is taken for each measure trigger and NRDGS *number* readings are taken on each channel.

For NRDGS *number* >1, and more than one channel in the scan list, the range of NRDGS *number* is set by [number of channels - 1] times [NRDGS *number*] With one channel in the channel list, the maximum value of NRDGS *number* is 65,535 for an HP 44702B or HP 44704A (8,192 for an HP 44702A). Also, for NRDGS 1, the maximum number of channels is 4,096.

For two channels and NRDGS 1, the maximum number of readings per channel is 4,094. That is, since [2 channels - 1] times [NRDGS *number*] must be , the voltmeter can make a maximum of 4,094 readings per channel (NRDGS 4,094). For three channels, maximum number of readings per channel = $4,094/(3-1) = 2,047$, etc.

NOTE

Changing NRDGS after sending CLWRITE does not affect the old channel list.

**Example: Setting
Number of Readings**

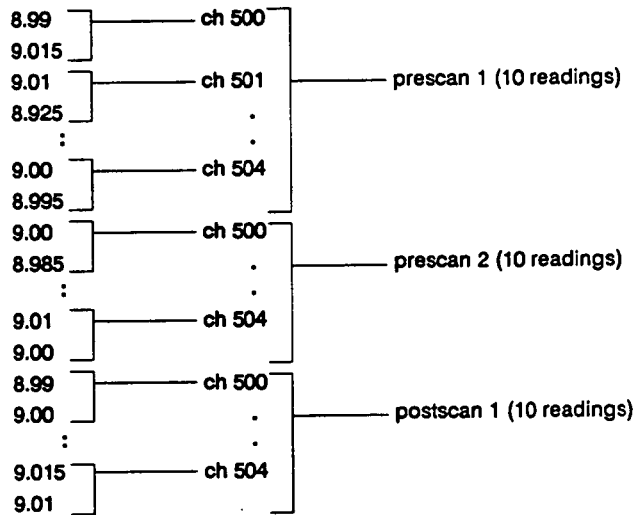
This example uses PRESCAN, POSTSCAN, and NRDGS to set the number of measurements on channels 500 through 504 of an HP 44711A/B multiplexer. The program uses internal stop triggering (as set with CONF), PRESCAN 2, POSTSCAN 1, and NRDGS 2, so the voltmeter makes 2 prescan passes and 1 postscan pass and takes 2 readings on each channel in the scan list. The total number of readings = [2 readings/channel] times [5 channels] times [3 passes] = 30 readings.

```

10 DIM A(0:29)                                ! Define controller array
20 OUTPUT 709;"USE 600"                        ! Use voltmeter in MF slot 6+
30 OUTPUT 709;"SCANMODE ON"                   ! Set Scanner Mode
40 OUTPUT 709;"CONF DCV"                       ! Configure for DC volts
50 OUTPUT 709;"NRDGS 2"                        ! Set 2 readings/channel
60 OUTPUT 709;"PRESCAN 2"                     ! Set 2 prescans
70 OUTPUT 709;"POSTSCAN 1"                    ! Set 1 postscan
80 OUTPUT 709;"CLWRITE 500-504,RANGE 9" ! Set scan list and range
90 OUTPUT 709;"SCTRIG INT"                     ! Trigger the voltmeter
100 OUTPUT 709;"XRDGS 600"                    ! Read 30 readings
110 ENTER 709;A(*)                             ! Enter 30 readings"
120 PRINT USING "K,/";A(*)                     ! Display 30 readings
130 END

```

For a set of 9 V 5% sources connected to channels 500 through 504, a typical return (values in volts) is:



Selecting Voltmeter Triggering

As noted, there are three triggers which affect voltmeter operation: scan trigger measure trigger and stop trigger. This section gives guidelines to select parameters for these three triggers. The section also provides an overview of voltmeter triggering, including the voltmeter trigger operation and trigger sources.

To select voltmeter triggering parameters, first refer to “Triggering Overview” for a discussion of voltmeter trigger operation and the sources for voltmeter triggers. Then, refer to “Selecting Scan Triggering”, “Selecting Measure Triggering”, or “Selecting Stop Triggering” to select the trigger parameters for your measurement. Table 5-17 shows the parameters which can be selected for each of the three triggers.

When you have selected voltmeter triggering parameters, refer to “Data Transfers and Interrupts”. Then, program the voltmeter using the sequence in Figure 5-6.

NOTE

The voltmeter triggering commands in Table 5-17 are not necessarily in the same order as shown in Figure 5-6. Always program the voltmeter in the sequence in Figure 5-6.

Table 5-17. Voltmeter Triggering Parameters

Action	Commands	Definition
Set Scan Trigger	SCTRIG SCSLOPE PERC* SCDELAY ASCAN	Scan trigger source Scan trigger slope Scan trigger threshold Scan trigger delay Autoscan mode
Set Measure Trigger	TRIG SLOPE SPER TRIGOUT	Measure trigger source Measure trigger slope Measure trigger timing EXT0 port triggering
Set Stop Trigger	STTRIG STSLOPE PERC*	Stop trigger source Stop trigger slope Stop trigger threshold
Notes: * = PERC simultaneously sets scan and stop trigger thresholds.		

Triggering Overview An overview of voltmeter triggering operation and trigger sources follows. You may want to refer to Figures 5-7 and 5-8 as you read this section.

Voltmeter Trigger Operation Figure 5-10 shows simplified voltmeter trigger operation. The measure trigger triggers the voltmeter to make a measurement. Each measurement is then converted and sent to the voltmeter data buffer. There are three main sources for the scan, measure, and stop trigger: mainframe backplane, voltmeter internal, and voltmeter port triggering. These sources are discussed in the next subsection “Voltmeter Trigger Sources”.

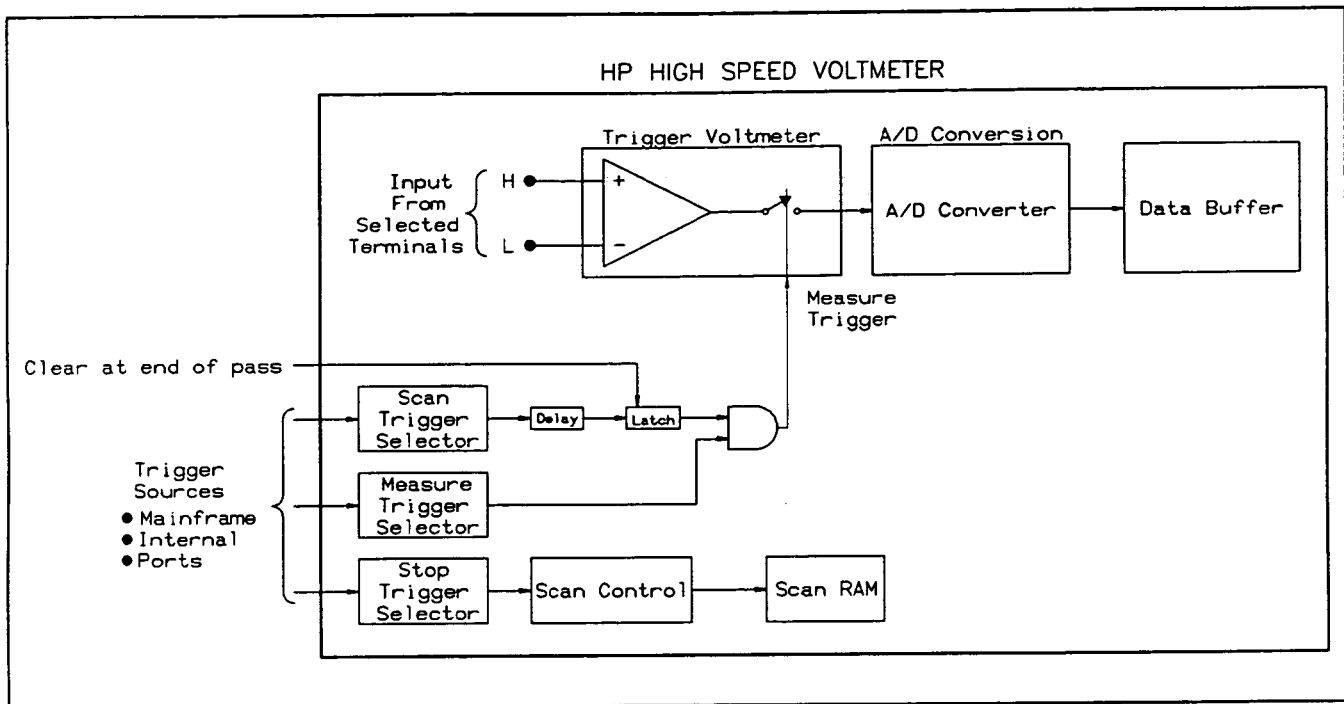


Figure 5-10. Voltmeter Trigger Operation

When a trigger is input to the scan trigger selector, after a delay a latch is set which enables the scan sequence to start. When a trigger is received by the measure trigger selector, a measure trigger is generated which causes the voltmeter to make a measurement. The latch remains set (and measure triggers can be generated) until the first pass ends. At the end of the pass, the latch is cleared if ASCAN OFF is set.

If ASCAN OFF is set, a scan trigger is required to start the second (and subsequent) passes. Thus, for ASCAN OFF, the scan trigger latch must be re-enabled to start each subsequent pass. For ASCAN ON, only a single scan trigger is required and the latch is not re-enabled for the second and subsequent passes.

When a trigger is input to the stop trigger selector, the voltmeter shifts from the prescan operation to the postscan operation (assuming the PRESCAN requirement is met). The stop trigger selector then sets the Scan RAM (via the Scan Control) to generate m postscan passes. Note that the stop trigger does NOT stop the scan sequence (unless POSTSCAN 0 is set).

Voltmeter Trigger Sources Figure 5-11 summarizes the parameters for the scan trigger source (SCTRIG), the measure trigger source (TRIG), and the stop trigger source (STTRIG) normally used for ribbon cable operation. There are three types of trigger sources: mainframe backplane triggers (SGL and SYS), voltmeter internal triggers (INT and MEAS), and voltmeter port triggers (EXT0, EXT1, and GPIO).

Although there are nine trigger sources, the SCAN parameter is not normally used for ribbon cable operation and the MEAS parameter does not apply to the measure trigger (TRIG). The following sections describe the sources for the scan, measure, and stop triggers.

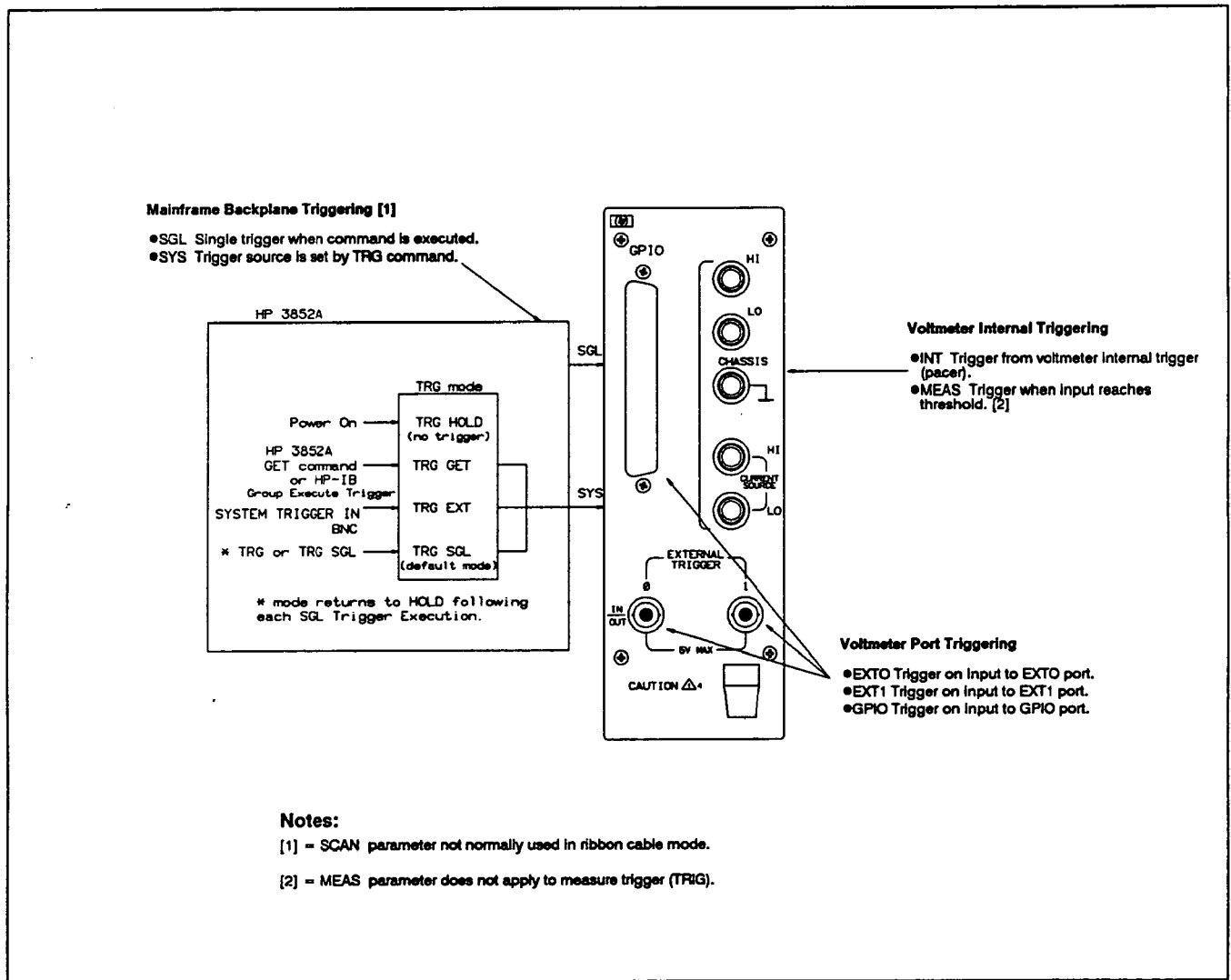


Figure 5-11. Voltmeter Trigger Sources

Setting Scan Triggering Guidelines to select scan trigger parameters follow, including scan trigger sources (SCTRIG), scan trigger slope (SCSLOPE), scan trigger threshold (PERC), scan trigger delay (SCDELAY), and autoscan mode (ASCAN).

As shown in Figure 5-8, the scan sequence starts when the scan trigger is enabled. Depending on the autoscan mode, a scan trigger is required only for the first pass (ASCAN ON) or a separate scan trigger is required for each pass through the scan list (ASCAN OFF).

Scan triggers are disabled from the time the scan trigger is received until the end of the scan pass. For example, in Figure 5-8 the scan trigger is disabled from the time the scan trigger starts pass 1 until the end of the SCDELAY [*scan_pace*] time (when SCTRIG INT is set) or until the last channel is measured (SCTRIG INT not set). Scan triggers received during this time are ignored.

Scan Trigger Source (SCTRIG) SCTRIG [*source*] [USE *ch*] sets the source or mode for the scan trigger. Power-on *source* is HOLD (no trigger) and default *source* is SGL (single trigger). For Scanner Mode measurements CONF sets SCTRIG HOLD. Table 5-18 summarizes SCTRIG sources for ribbon cable operation. A description of each source follows.

NOTE

For ribbon cable operation not using MEAS, a scan list must be defined with CLWRITE before SCTRIG is set to any source other than HOLD. Also, SCTRIG SCAN is not normally used in ribbon cable mode.

Table 5-18. Scan Trigger (SCTRIG) Sources - Ribbon Cable

Source	Description
HOLD	No triggering. Triggering is held off and scanning halted.
SGL	Single trigger from mainframe when command executed.
SYS	System trigger pulse (used with TRG).
INT	Voltmeter internal trigger.
MEAS	Trigger when input crosses threshold (used with PERC).
EXT0	Trigger voltmeter from EXT0 port.
EXT1	Trigger voltmeter from EXT1 port.
GPIO	GPIO trigger.
Notes:	
* = SCAN not normally used in ribbon cable mode.	

SCTRIG HOLD

When programming the voltmeter for Scanner Mode operation, SCTRIG HOLD or CONF (which sets SCTRIG HOLD) must be the first command after SCANMODE ON (see Figure 5-6). SCTRIG HOLD either completes or aborts a scan sequence.

When the scan sequence has been enabled by setting SCTRIG to a source other than HOLD, no programming commands except ENABLE INTR or DISABLE INTR can be sent until the scan sequence completes or is aborted by setting SCTRIG HOLD.

When the scan sequence has been completed or aborted by SCTRIG HOLD, any subsequent programming commands except ENABLE INTR or DISABLE INTR will cause the data buffer to be cleared and will destroy all remaining measurements. Therefore, all measurement data must be read (with CHREAD or XRDGS if MEAS is not used) before reprogramming the voltmeter. (Note that CHREAD and XRDGS are not programming commands.)

SCTRIG SGL

Use SCTRIG SGL for a single trigger from the mainframe which occurs when the command is executed. SCTRIG SGL can only be sent during a scan if SCTRIG SGL was used to enable the scan sequence. Note that SCTRIG SGL causes a single trigger.

SCTRIG SYS

SCTRIG SYS is used along with the TRG (mainframe) command. As shown in Figure 5-11, TRG has four sources/modes: HOLD, GET, EXT, and SGL. Note that SCTRIG SYS must be set for the voltmeter to accept a scan trigger from the TRG source. Refer to the HP 3852A Mainframe Configuration and Programming Manual for details on the TRG command.

SCTRIG INT

With SCTRIG INT, the voltmeter internal pacer generates scan triggers as required. Scan triggers received when scan triggering is disabled are ignored.

With SCTRIG INT set, if the SCDELAY [*scan_pace*] interval is shorter than the time required to make a scan pass the voltmeter will ignore the too-fast scan triggers and will wait for the next generated scan trigger after the current pass completes. Therefore, the scan pass pacing rate will not be as desired.

For example, assume each scan pass requires 1 second to complete and SCTRIG INT is set. If SCDELAY [*scan_pace*] = 0.6 seconds, pass 1 starts at $t = 0$. However, the scan trigger which occurs at $t = 0.6$ seconds is ignored and pass 2 starts at $t = 1.2$ seconds, etc.

SCTRIG MEAS

SCTRIG MEAS generates a scan trigger when the input to the voltmeter crosses a threshold level (percent of full-scale value) as set with the PERC command in the direction (HL or LH) set by the SCSLOPE command.

When SCTRIG MEAS is set, at the start of each pass the voltmeter connects the first channel and continuously monitors the input. When this level crosses the threshold in the proper direction, a scan trigger is generated. Refer to “Scan Trigger Threshold (PERC)” for an example using SCTRIG MEAS. For ASCAN OFF, monitoring is done for the first pass only.

SCTRIG EXT0/EXT1

For SCTRIG EXT0 or SCTRIG EXT1, a TTL-compatible pulse into the EXT0 or EXT 1 port, respectively, generates the scan trigger. For SCTRIG MEAS, EXT0, EXT1, or GPIO, the SCSLOPE command sets the direction (LH or HL) of the input which will generate the scan trigger. Refer to “Scan Trigger Slope (SCSLOPE)” for details on SCSLOPE.

NOTE

For the EXT0 port (only), TRIGOUT OFF must be set to enable EXT0 to receive a trigger. If TRIGOUT ON is set, the EXT0 port outputs trigger signals and no trigger source can be set to EXT0, Refer to “EXT0 Port Triggering (TRIGOUT)” for details.

SCTRIG GPIO

When SCTRIG GPIO is set, the scan trigger source is the GPIO port on the voltmeter rear panel. Refer to Chapter 7 - GPIO Operation for details on SCTRIG GPIO.

Scan Trigger Slope (SCSLOPE) For SCTRIG MEAS, SCTRIG EXT0, SCTRIG EXT1, or SCTRIG GPIO, the SCSLOPE *mode* [USE *ch*] command sets the edge (direction) of the input (LH or HL) which will generate a scan trigger. SCSLOPE LH sets low-to-high transitions (positive slope) while SCSLOPE HL sets high-to-low (negative slope) transitions. The power-on *mode* = LH. Note that CONF does not change the existing setting of SCSLOPE.

Scan Trigger Threshold (PERC) For SCTRIG MEAS, the voltmeter is triggered when the input signal on the first channel in the scan list reaches the percent of full-scale voltage set by PERC in the direction set by SCSLOPE.

NOTE

The PERC command sets both the scan trigger and stop trigger to the same threshold, so you cannot separate thresholds for these two triggers.

Threshold When Autoranging Not Used

The range of PERC is -128% to +127% of the full-scale range (resolution 1%) when autoranging is not used. Power-on PERC *threshold* value is 0% of full-scale range.

For example, with SCTRIG MEAS if the voltmeter is set for DC volts and the 10.24V range, PERC 67 sets $10.24 \times 0.67 = 6.86$ volts as the input signal level which will generate a trigger. SCSLOPE LH sets low-to-high transitions (positive slope) while SCSLOPE HL sets high-to-low transitions (negative slope).

Table 5-19 lists the minimum (-128%) and maximum (+127%) trigger thresholds allowable for the four voltmeter voltage ranges when autoranging is not used.

Table 5-19. Scan Trigger Threshold Levels (PERC)

Range	Trigger Threshold	
	min(-128%)	max (+127%)
40 mV	-0.0512 V	+0.0508 V
320 mV	-0.41 V	+0.406 V
2.56 V	-3.28 V	+3.25 V
10.24 V	-13.1 V	+13.0 V

Scan Trigger Threshold Sequence

When SCTRIG MEAS is executed, the first channel in the scan list is connected. When the input to the first channel in the scan list crosses the threshold in the proper direction, the scan trigger is generated. At the start of the second (and subsequent) passes through the scan list, the first channel is again connected and a 50 μ sec delay occurs before threshold monitoring begins.

Threshold When Autorange Is Used

If autoranging is used, the absolute trigger threshold value will change, based on the current range. Although the same percentage is used, since the full scale value is different for each range, a different absolute value results. Autoranging is not recommended for the first channel when SCTRIG MEAS is used. Therefore, the first channel in CLWRITE *ch_list* should use a fixed range or RANGE should be used.

If autoranging is selected, the voltmeter is triggered several times as part of the SCTRIG execution and selects the range for threshold triggering. This sets the range for the first channel in the scan list and is acceptable for the first pass. However, for subsequent passes the range that is used is the range of the last channel in the channel list. With autoranging, this can cause the voltmeter to generate a scan trigger for the second (and subsequent) passes with the wrong level of input.

For example, with (fixed) 10.24V range, SCTRIG MEAS, SCSLOPE LH, and PERC 30 set, the scan trigger is generated for each pass when the input to the first channel crosses 3.072 V in the positive direction. But, with autorange set the range selected for the last channel in the scan list might be the 2.56V range. In this case, the scan trigger for the second pass will be generated when the input to the first channel crosses 0.768 V ($2.56 \text{ v} \times 0.30$), rather than the desired 3.072 V.

Scan Trigger Delay (SCDELAY) SCDELAY *trig_delay* [*scan_pace*] [USE *ch*] sets the delay time between the scan trigger and enabling the first measurement in the scan list and sets the time between successive scan triggers.

NOTE

Due to hardware constraints, actual scan trigger timing may be slightly different than programmed time. Refer to "Measure Trigger Timing (SPER)" for details.

Set Scan Trigger Delay

As shown in Figure 5-8, when a scan trigger is generated SCDELAY *trig_delay* sets the time from the receipt of the scan trigger to when the first measure trigger is enabled on the first channel. (The measurement will be taken by the first measure trigger received after the measure trigger is enabled.) The SCDELAY *trig_delay* range is 0 to 0.01638375 sec with 0.25 μ sec resolution. At power-on, SCDELAY *trig_delay* = 0 sec. CONF sets 0.001 sec (0.006 sec for OHM1M or OHMF1M).

When ASCAN OFF is set, the SCDELAY *trig_delay* delay time occurs between the scan trigger and the first measurement for every pass through the scan list. With ASCAN ON, the delay is included between the scan trigger and the first measurement of the first pass only. Refer to “Autoscan Mode (ASCAN)” for an example.

Set Time Between Scan Triggers

When SCTRIG INT is set, SCDELAY [*scan_pace*] sets the time between scan passes. The SCDELAY [*scan_pace*] range is 0 to 1073.74182375 seconds with 0.25 μ sec resolution. At power-on, SCDELAY [*scan_pace*] = 2 msec.

For ASCAN OFF, a scan trigger is required to start each pass. For ASCAN ON, only a single scan trigger is required for the first pass and subsequent passes start automatically. For ASCAN OFF and SCTRIG INT, SCDELAY [*scan_pace*] sets the time between scan triggers (between scan passes).

NOTE

Due to hardware constraints, actual scan delay times may be slightly different than programmed times. Refer to “Measure Trigger Timing (SPER)” for details.

Autoscan Mode (ASCAN) ASCAN [*mode*] [USE *ch*] sets the voltmeter autoscan mode. As shown in Figure 5-8, a scan trigger starts the first scan pass. For ASCAN ON, a scan trigger is required for the first scan pass only and subsequent passes start automatically. With ASCAN OFF, a separate scan trigger is required for each pass. Power-on [*mode*] = OFF and default [*mode*] = ON. CONF sets ASCAN OFF.

Scan Trigger Delays vs. Autoscan

ASCAN can affect the delays set by the SCDELAY (scan trigger delay) command. Figure 5-12 shows example timing considerations for autoscan off (ASCAN OFF) and for autoscan on (ASCAN ON).

For this example, SCTRIG INT, TRIG INT, STTRIG EXT0, NRDGS 1, and three channels in the scan list are assumed, so the voltmeter makes three measurements on each pass (mt_1 , mt_2 , and mt_3). Since STTRIG EXT0 is set, the voltmeter makes continuous passes until a stop trigger (from the EXT0 port) is received.

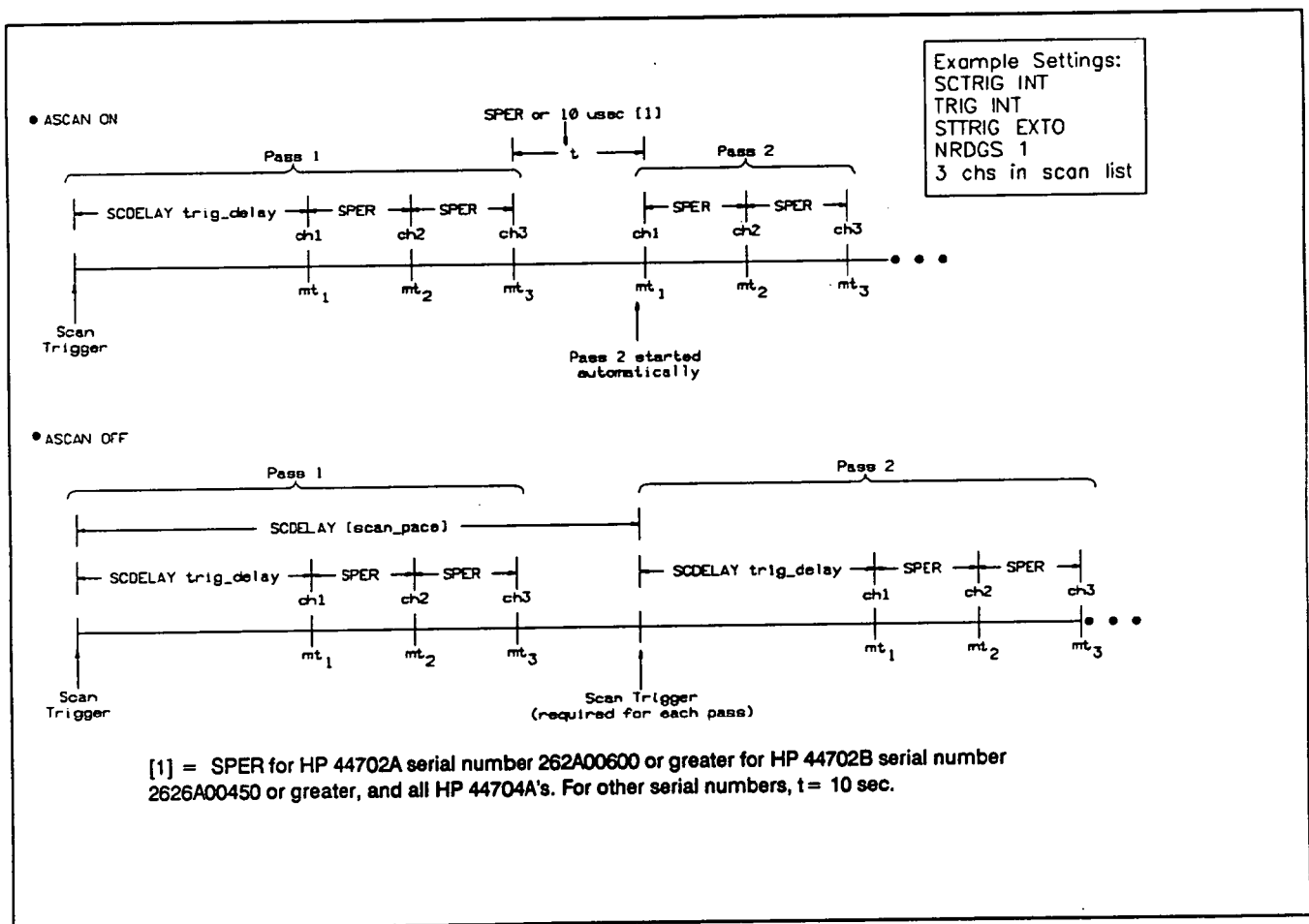


Figure 5-12. Scan Triggering vs. Autoscan Mode

- **ASCAN ON:**

With ASCAN ON, the delay time set by SCDELAY *trig_delay* occurs only on pass 1 between the start of the pass and the first measurement (mt_1). Since TRIG INT is set, SPER *sample_period* sets the time between measurements (mt_1 to mt_2 , etc.).

With ASCAN ON pass 2 and all subsequent passes start automatically. The time (t) between passes (from mt_3 in pass 1 to mt_1 in pass 2) is either $10\ \mu\text{sec}$ or is set by SPER *sample_period*, depending on the voltmeter serial number.

With ASCAN ON, for HP 44702As serial number 2626A00600 and higher, HP 44702Bs serial number 2626A00450 and higher, and all HP 44704As, the time is set by SPER. For earlier HP 44702A/B serial numbers, the time is fixed at $10\ \mu\text{sec}$.

- **ASCAN OFF:**

With ASCAN OFF and SCTRIG INT set, SCDELAY [*scan_pace*] sets the time from the start of a pass to the start of the next pass. A scan trigger is required to start each pass when ASCAN OFF is set.

Also, the SCDELAY *trig_delay* time is inserted in each pass between the scan trigger and the first measurement (mt_1). As with ASCAN ON, the time between measurements is set with SPER *sample_period* since TRIG INT is set.

Example: Setting Scan Triggering

This example shows one way the SCTRIG, SCSLOPE, PERC and SCDELAY commands can be used to set scan triggering for the voltmeter. The program sets the scan trigger source to SCTRIG MEAS and generates a scan trigger when the input to channel 500 of an HP 44711A/B multiplexer crosses 3.072 V in the negative (high-to-low) direction.

The voltmeter is configured (by CONF) for one prescan pass and zero postscan passes. A single channel (channel 500) is to be measured, with 10 readings per channel. Maximum expected amplitude for channel 500 is 9 volts so RANGE 9 will be used to select the 10.24V range.

SPER .001 sets 1 msec between measurements (between measure triggers). SCDELAY 0 sets a zero time delay from the time the scan trigger is received until the first measure trigger is enabled.

Since SCTRIG MEAS and the 10.24V range are set, PERC 30 sets the voltmeter to generate a scan trigger at 3.072 V ($0.30 \times 10.24\ \text{V} = 3.072\ \text{V}$). SCSLOPE HL sets high-to-low slope, so the scan trigger is generated when the input to channel 500 crosses 3.072 V in the negative direction.

10 DIM Volts(0:9)	<i>! Dimension controller array</i>
20 OUTPUT 709;"USE 600"	<i>! Use voltmeter in slot 6</i>
30 OUTPUT 709;"SCANMODE ON"	<i>! Set Scanner Mode</i>
40 OUTPUT 709;"CONF DCV"	<i>! Set DC volts</i>
50 OUTPUT 709;"RANGE 9"	<i>! Set 10.24V range</i>
60 OUTPUT 709;"NRDGS 10"	<i>! Set 10 readings/channel</i>
70 OUTPUT 709;"PERC 30"	<i>! Set 3.072 V as threshold</i>
80 OUTPUT 709;"SCSLOPE HL"	<i>! Trigger on negative slope</i>
90 OUTPUT 709;"SPER .001"	<i>! Set 1 msec between meas triggers</i>
100 OUTPUT 709;"SCDELAY 0"	<i>! Set 0 msec scan trigger delay</i>
110 OUTPUT 709;"CLWRITE 500"	<i>! Set ch 500 as scan list</i>
120 OUTPUT 709;"SCTRIG MEAS"	<i>! Gen scan trigger on threshold</i>
130 OUTPUT 709;"XRDGS 600"	<i>! Read 10 readings</i>
140 ENTER 709;Volts(*)	<i>! Enter 10 readings</i>
150 PRINT USING "K,/";Volts(*)	<i>! Display 10 readings</i>
160 END	

For a decreasing ramp-type input connected to channel 500, a typical return (values in volts) is:

3.07
2.7725
2.4175
2.065
1.89
1.7125
1.5375
1.3
1.0075
.77

Setting Measure Triggering

Guidelines to set measure trigger parameters follow, including measure trigger sources (TRIG), measure trigger slope (SLOPE), measure trigger timing (SPER), and EXT0 port trigger mode (TRIGOUT).

As shown in Figure 5-8, each measurement is initiated with a measure trigger (mt_i). For NRDGS 1, the voltmeter makes one reading per channel for each channel in the channel list. For NRDGS > 1, the voltmeter makes NRDGS readings for each channel in the channel list. If TRIG INT is set, SPER *sample period* sets the time between measure triggers.

Measure triggers are disabled from the time a valid scan trigger is received until the time set by SCDELAY *trig_delay* expires and for 10 μ sec following the start of each measurement.

With ASCAN OFF, measure triggers are disabled from the end of a pass until the time set by SCDELAY *trig_delay* following the scan trigger expires. For example, in Figure 5-12, if ASCAN OFF is set the measure trigger is disabled from the time *mt₃* in pass 1 is generated until the SCDELAY *trig_delay* time for pass 1 expires.

Measure Trigger Source (TRIG) TRIG [*source*] [USE *ch*] sets the source or mode for the measure trigger. Power-on *source* is INT (internal trigger) and default *source* is SGL (single trigger). For Scanner Mode, CONF sets TRIG INT.

Although there are nine TRIG *source* parameters, TRIG MEAS is not valid for Scanner Mode measurements and TRIG SCAN is not normally used with ribbon cable mode. Table 5-20 summarizes TRIG *source* parameters normally used for ribbon cable operation.

Table 5-20. Measure Trigger (TRIG) Sources - Ribbon Cable

Source	Description
HOLD	No triggering. Triggering is disabled.
SGL	Single trigger from mainframe when command executed.
SYS	System trigger pulse (used with TRG).
INT	Voltmeter internal trigger.
EXT0	Trigger voltmeter from EXT0 port.
EXT1	Trigger voltmeter from EXT1 port.
GPIO	GPIO trigger.
Notes: * = TRIG SCAN not normally used in ribbon cable mode.	

TRIG HOLD

TRIG HOLD sets measure trigger hold (no triggering).

TRIG SGL

Use TRIG SGL for a single trigger from the mainframe which occurs when the command is executed. For TRIG SGL to be used during a scan sequence, TRIG SGL or TRIG HOLD must be set before setting SCTRIG to a source other than HOLD.

TRIG INT

With TRIG INT, the voltmeter pacer generates internal measure triggers as required. The internal pace time is set by SPER *sample_period*.

TRIG SYS

TRIG SYS is used along with the TRG command. As shown in Figure 5-11, TRG has four sources/modes: HOLD, GET, EXT, and SGL. Note that TRIG SYS must be set for the voltmeter to accept measure triggers from the TRG source. Refer to the HP 3852A Mainframe Configuration and Programming Manual for details on TRG.

TRIG EXT0/EXT1

With TRIG EXT0 or TRIG EXT1, a TTL-compatible pulse into the EXT0 or EXT 1 port, respectively, generates a measure trigger. SLOPE sets the direction (LH or HL) of the input which will generate the measure trigger. Refer to “Measure Trigger Slope (SLOPE)” for details on SLOPE.

NOTE

For the EXT0 port (only), TRIGOUT OFF must be set to enable EXT0 to receive a trigger. If TRIGOUT ON is set, the EXT0 port outputs trigger signals and no trigger source can be set to EXT0, Refer to “EXT0 Port Triggering (TRIGOUT)” for details.

TRIG GPIO

When TRIG GPIO is set, the measure trigger source is the GPIO port on the voltmeter rear panel. Refer to Chapter 7 - GPIO Operation for details on TRIG GPIO.

Measure Trigger Slope (SLOPE) For TRIG EXT0, TRIG EXT1, or TRIG GPIO, the SLOPE *mode* [USE *ch*] command sets the edge (direction) of the input (LH or HL) which will generate a measure trigger. SLOPE LH sets low-to-high transitions (positive slope) while SLOPE HL sets high-to-low (negative slope) transitions. The power-on *mode* = LH. Note that CONF does not affect the current setting of SLOPE.

Measure Trigger Timing (SPER) As shown in Figure 5-8, when TRIG INT is set, SPER *sample_period* [USE *ch*] sets the time in seconds between the start of successive measure triggers (mt_1 to mt_2 etc.). SPER *sample_period* range is 0 to 1073.74182375 sec, with resolution = 0.25 μ sec. SPER *sample_period* settings from 0 to 10 μ sec are rounded to 10 μ sec. CONF sets 0.001 sec SPER *sample_period* (0.006 sec for OHM1M or OHMF1M).

With ASCAN OFF, the time between scan passes is set by SPER for HP 44702As with serial number 2626A00600 and higher, HP 44702Bs with serial number 2626A00450 and higher, and for all HP 44704As. For HP 44702A/Bs with earlier serial numbers, the time is fixed at 10 μ sec.

Measure Trigger Timing Accuracy

Due to inherent hardware delays, actual measurement times may be different than programmed times. Although inaccuracies can apply to the scan, measure, and stop triggers, measurement trigger timing accuracy will be discussed here. You can then apply the same criteria for the scan and stop trigger as required.

• Net Measurement Delay:

As shown in Figure 5-13, the voltmeter has hardware delays for both front end and triggering circuitry. The Front End delay (Δ_A) caused by the voltmeter front end circuitry shifts the output from the input.

In addition, there is a Trigger delay (Δ_T) caused by the hardware which generates the trigger. The result is that the actual measurement can occur at a point on the input before or after the desired measurement point. The Net Delay (in nsec) = $\Delta_T - \Delta_A$.

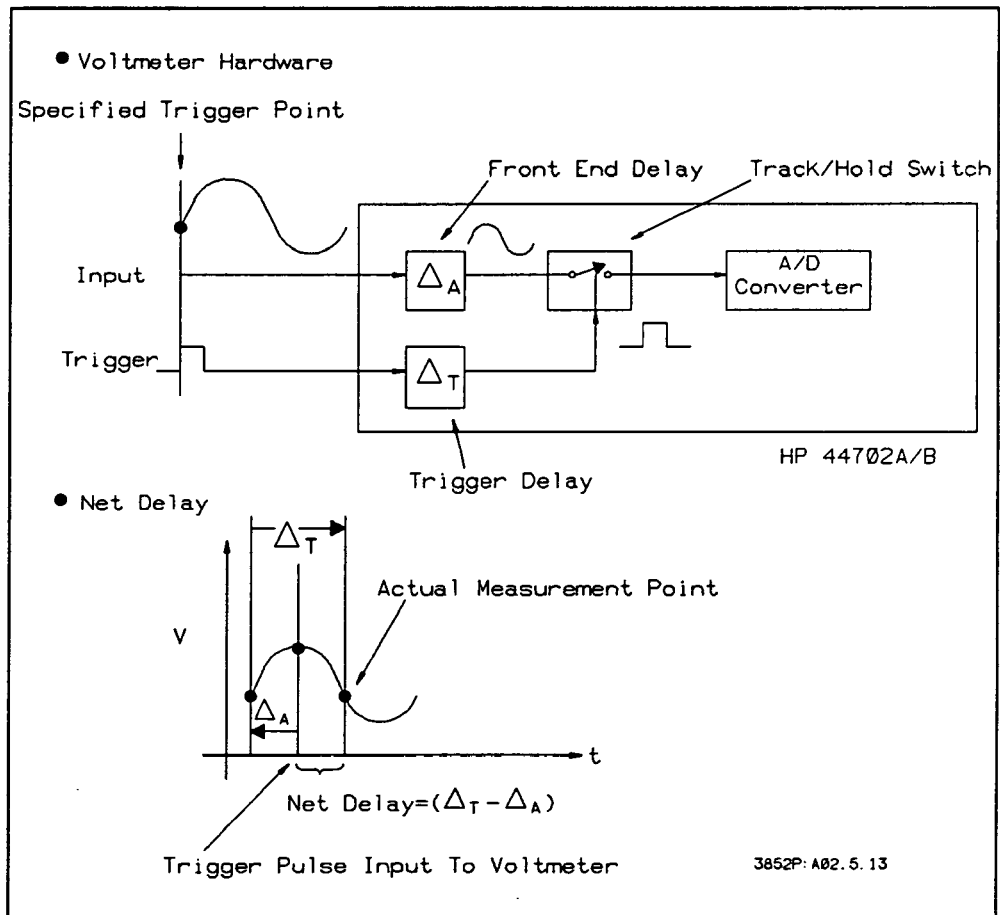


Figure 5-13. Front End and Trigger Delays

● Front End Delay:

The Front End delay (Δ_A) depends on the ARMODE setting and the voltmeter range as shown in Table 5-21.

Table 5-21. Front End Delays vs. Range/Autorange Mode

Range	Front End Delay (nsec)	
	ARMODE BEFORE	ARMODE AFTER
40 mV	500 \pm 2	498 to 585
320 mV	400 \pm 2	393 to 485
2.56 V	200 \pm 2	198 to 235
10.24 V	200 \pm 2	198 to 235

● Trigger delay:

To determine the trigger delay (Δ_T) for a set of input/trigger conditions, see Figure 5-14 which shows the range of delay times with various conditions set for the scan trigger, measure trigger, and stop trigger.

For example, assume SCTRIG MEAS, TRIG INT, STTRIG EXT0, the 2.56V range, ARMODE BEFORE, SPER .001 and SCDELAY 0, 0 are set. From Table 5-21 with ARMODE BEFORE and the 2.56V range, the Front End delay = (Δ_A) = 200 nsec \pm 2 nsec.

For these settings, the trigger delay path in Figure 5-14 is from H to K, K to C, C to D, D to E, and E to F. Since SCDELAY is 0 and SCTRIG INT is not set, the delay path bypasses the Scan Delay. Since SPER is not 0 and TRIG INT is set, the path is via the Measurement Pacer which adds 510 to 760 nsec.

Adding the delay times for these path segments gives the Trigger delay (Δ_T) range as 510 nsec to 915 nsec. Since the Front End Delay (Δ_A) = 200 \pm 2 nsec, the Net Delay range = 308 to 717 nsec. That is, for the settings in this example the first measure trigger can occur from 308 to 717 nsec after the scan trigger is received.

EXT0 Port Triggering (TRIGOUT) TRIGOUT [mode] [USE ch] sets whether or not the EXT0 port on the voltmeter rear panel will function as a trigger source. When enabled (TRIGOUT ON), the EXT0 port outputs a trigger signal that can be used to trigger other HP 44702A/B or HP 44704A voltmeters. When disabled (TRIGOUT OFF), the EXT0 port is set to receive trigger signals. When TRIGOUT ON is set, no trigger source (TRIG, SCTRIG, or STTRIG) can be set to EXT0 and vice versa.

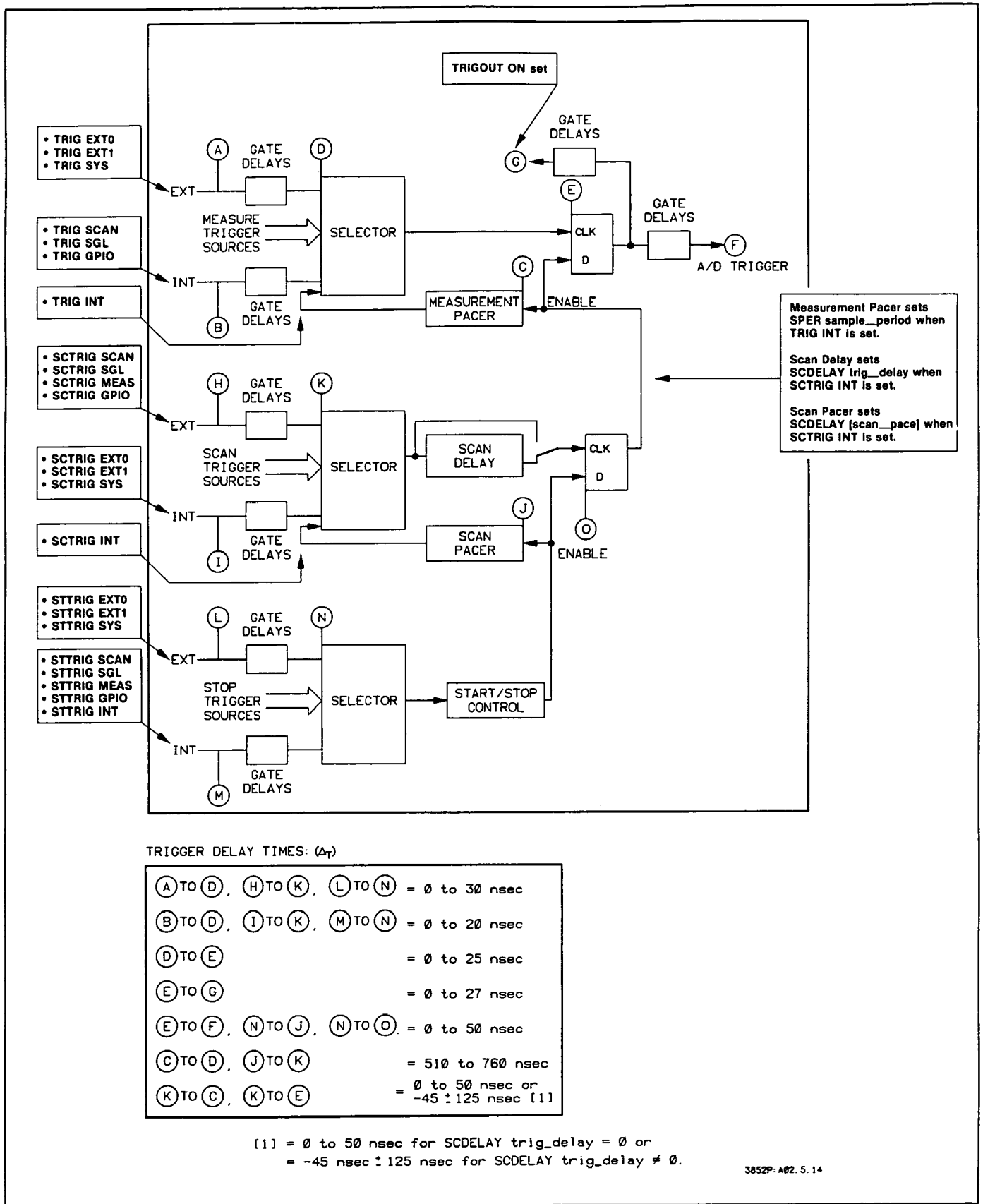


Figure 5-14. Voltmeter Trigger Timing

When TRIGOUT ON is set, the trigger signal output from EXT0 is the same measure trigger the voltmeter received. The signal is a negative-going pulse and is a valid measure trigger so any other HP 44702A/B or HP 44704A voltmeter which receives the signal can be triggered to make a measurement, depending on the second voltmeter configuration.

A typical application for the TRIGOUT command is to synchronize the operation of two or more high-speed voltmeters. Refer to "Example: Synchronize Multiple Voltmeters" in "Measurement Examples" for one way to use TRIGOUT.

Example: Setting Measure Trigger

This example shows one way SCDELAY and SPER can be used to set measure trigger timing. The voltmeter is configured for ASCAN OFF (set with CONF), PRESCAN 1, POSTSCAN 1, and NRDGS 2. Channels 500-504 are to be measured, so a total of 20 readings will be made (one prescan and one postscan).

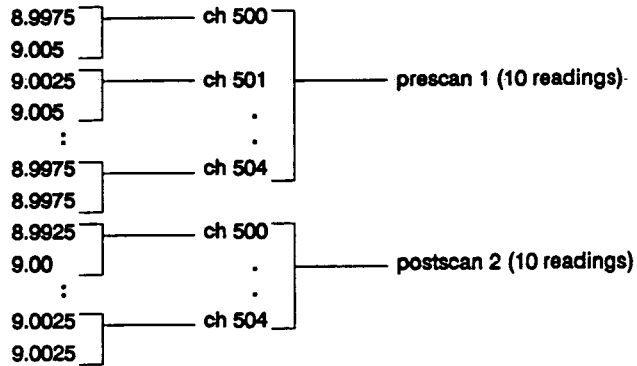
With ASCAN OFF a separate scan trigger is required for each pass and a 10 msec scan trigger delay (as set with SCDELAY *trig_delay*) is inserted into the start of each pass. SPER 0.001 sets 1 msec between measure triggers.

Thus, with NRDGS 2 and 5 channels, the time for pass 1 = 10 msec (scan trigger delay) + 9 msec (to make measurements 1 through 10) + 19 μ sec (to complete last channel measurement with ARMODE AFTER set) = 0.019019 seconds.

Since SCDELAY [*scan_pace*] sets 1 second between scan passes, the total measurement time = 1 sec (start of pass 1 to start of pass 2) + 0.019019 sec (to complete pass 2) = 1.019019 seconds (plus some time for the voltmeter microprocessor to signal end of scan).

10 DIM Volts(0:19)	<i>! Dimension controller array</i>
20 OUTPUT 709;"USE 600"	<i>! Use voltmeter in mainframe slot 6</i>
30 OUTPUT 709;"SCANMODE ON"	<i>! Set Scanner Mode</i>
40 OUTPUT 709;"CONF DCV"	<i>! Set DC volts</i>
50 OUTPUT 709;"RANGE 9"	<i>! Set 10.24V range</i>
60 OUTPUT 709;"NRDGS 2"	<i>! Set 2 readings/channel</i>
70 OUTPUT 709;"SPER .001"	<i>! Set 1 msec between triggers</i>
80 OUTPUT 709;"SCDELAY .01,1"	<i>! 10 msec trig delay, 1 sec pace</i>
90 OUTPUT 709;"PRESCAN 1"	<i>! Make 1 prescan pass</i>
100 OUTPUT 709;"POSTSCAN 1"	<i>! Make 1 postscan pass</i>
110 OUTPUT 709;"CLWRITE 500-504"	<i>! Set ch 500-504 as scan list</i>
120 OUTPUT 709;"SCTRIG INT"	<i>! Internal scan trigger source</i>
130 OUTPUT 709;"XRDGS 600"	<i>! Read 20 readings</i>
140 ENTER 709;Volts(*)	<i>! Enter 20 readings</i>
150 PRINT USING "K,/";Volts(*)	<i>! Display 20 readings</i>
160 END	

For a set of 9V 5% sources connected to channels 500-504, a typical return (value in volts) is:



Setting Stop Triggering Guidelines to set stop trigger parameters follow, including stop trigger sources (STTRIG), stop trigger slope (STSLOPE), and stop trigger threshold (PERC).

NOTE

If PRESCAN 0 is set, the stop trigger is enabled when the scan is enabled. Thus, if the stop trigger is received before the scan trigger is received, the voltmeter starts the postscan operation. If POSTSCAN 0 is also set, it is possible for no measurements to be taken, even if SCTRIG INT or SCTRIG SGL is set.

Stop Trigger Source (STTRIG) STTRIG [source] [USE ch] sets the source or mode for the stop trigger. When the stop trigger is received the voltmeter completes the pass in progress and then makes m postscan passes (as set with POSTSCAN) to end the scan sequence. Note that any stop triggers which occur before the nth prescan pass (as set with PRESCAN) are ignored.

Although there are nine STTRIG source parameters, STTRIG SCAN is not normally used for ribbon cable mode. Table 5-22 summarizes STTRIG source parameters normally used for ribbon cable operation.

Table 5-22. Stop Trigger (STTRIG) Sources - Ribbon Cable

Source*	Description
HOLD	No triggering. Triggering is held off.
SGL	Single trigger from mainframe when command executed.
SYS	System trigger pulse (used with TRG).
INT	Voltmeter internal trigger.
MEAS	Trigger when input crosses threshold (used with PERC).
EXT0	Trigger voltmeter from EXT0 port.
EXT1	Trigger voltmeter from EXT1 port.
GPIO	GPIO trigger.
Notes:	
* = SCAN not normally used with ribbon cable mode.	

STTRIG HOLD

STTRIG HOLD set stop triggering to hold (no stop trigger) and is useful for applications such as continuous data acquisition. Refer to "Example: Continuous Data Acquisition" in "Measurement Example" for an example program.

STTRIG SGL

Use STTRIG SGL for a single trigger from the mainframe which occurs when the command is executed. STTRIG SGL or STTRIG HOLD must be set prior to setting SCTRIG to a source other than HOLD for STTRIG SGL to be used during the scan sequence.

STTRIG SYS

STTRIG SYS is used along with the TRG command. As shown in Figure 5-11, TRG has four sources/modes: HOLD, GET, EXT, and SGL. Note that STTRIG SYS must be set for the voltmeter to accept a stop trigger from the TRG source. Refer to the HP 3852A Mainframe Configuration and Programming Manual for details on TRG.

STTRIG INT

With STTRIG INT, the voltmeter internal pacer generates a stop trigger as required at the end of the nth prescan pass. Thus, with PRESCAN 0 set, one pass must be made for a stop trigger to be generated. (If RDGSMODE COMPLETE is set, the data from this pass is discarded.)

STTRIG EXT0/EXT1

For STTRIG EXT0 or STTRIG EXT 1, a TTL-compatible pulse into the EXT0 or EXT1 port, respectively, generates a stop trigger. For STTRIG MEAS, EXT0, EXT1, or GPIO, the STSLOPE command sets the direction (LH or HL) of the input which will generate a stop trigger. Refer to "Stop Trigger Slope (STSLOPE)" for details on the STSLOPE command.

NOTE

For the EXT0 port (only), TRIGOUT OFF must be set to enable EXT0 to receive a trigger. If TRIGOUT ON is set, the EXT0 port outputs trigger signals and no trigger source can be set to EXT0, Refer to "EXT0 Port Triggering (TRIGOUT)" for details.

STTRIG MEAS

STTRIG MEAS generates a stop trigger when the input to the voltmeter crosses a threshold level (percent of full-scale value) as set with the PERC command in the direction (HL or LH) set by the STSLOPE command.

When STTRIG MEAS is set, a minimum of two passes through the scan list is required to generate a stop trigger. Each time the measure trigger for the first channel in the scan list is received, the state of an internal analog comparator is latched. When the output of the comparator makes the transition set by STSLOPE, a stop trigger is generated.

Since the latch is preset high for STSLOPE LH and low for STSLOPE HL, a minimum of two passes through the scan list is required to generate a stop trigger when STTRIG MEAS is set. For example, the first pass could set the latch low and the second pass could set the latch back high to generate the LH transition.

STTRIG GPIO

When STTRIG GPIO is set, the stop trigger source is the GPIO port on the voltmeter rear panel. Refer to Chapter 7 - GPIO Operation for details on STTRIG GPIO.

Stop Trigger Slope (STSLOPE) For STTRIG MEAS, STTRIG EXT0, STTRIG EXT1, or STTRIG GPIO, the STSLOPE *mode* [USE *ch*] command sets the edge (direction) of the input (LH or HL) which will generate the stop trigger. STSLOPE LH sets low-to-high transitions (positive slope) while STSLOPE HL sets high-to-low (negative slope) transitions. The power-on *mode* = LH.

Stop Trigger Threshold (PERC) For STTRIG MEAS, the voltmeter is triggered when the input signal on the first channel in the scan list reaches the percent of full-scale voltage set by PERC in the direction set by STSLOPE.

NOTE

1. The PERC command sets both the scan trigger and stop trigger to the same threshold, so you cannot set separate thresholds for these two triggers.
 2. When STTRIG MEAS is set, a minimum of two passes through the scan list is required to generate a stop trigger. Refer to "Stop Trigger Source (STTRIG)" for details.
-

Threshold When Autoranging Not Used

The range of the PERC *threshold* parameter is -128% to +127% of the full-scale range (resolution 1%) when autoranging is not used. Power-on PERC *threshold* value is 0% of full-scale range.

For example, with STTRIG MEAS if the voltmeter is set for DC volts and the 10.24V range, PERC 67 sets $10.24 \times 0.67 = 6.86$ volts as the input signal level which will generate a trigger. STSLOPE LH sets low-to-high transitions (positive slope) while STSLOPE HL sets high-to-low transitions (negative slope).

Table 5-23 lists the minimum (-128%) and maximum (+127%) trigger thresholds allowable for the four voltmeter voltage ranges when autoranging is not used.

Table 5-23. Stop Trigger Threshold Levels (PERC)

Range	Trigger Threshold	
	min(-128%)	max (+127%)
40 mV	-0.0512 V	+0.0508 V
320 mV	-0.41 V	+0.406 V
2.56 V	-3.28 V	+3.25 V
10.24 V	-13.1 V	+13.0 V

Stop Trigger Threshold Sequence

As noted (see STTRIG MEAS), each time the measure trigger is received on the first channel in the scan list, the state of an analog comparator is latched. When the output of the latch makes the transition (LH or HL) specified by STSLOPE, the stop trigger is generated. Since the latch is preset high for STSLOPE LH and low for STSLOPE HL, a minimum of two passes through the scan list is required to generate a stop trigger when STTRIG MEAS is used.

For example, with STSLOPE LH the first pass could set the latch from high to low and the second pass could set the latch back high, thus generating the stop trigger on the LH transition. Because the input is sampled and not continuously monitored, if the input crosses the threshold and returns to its original value between samples, no stop trigger will be generated. Therefore, for proper stop trigger operation when threshold triggering is used, the period of the input signal must be greater than the time required for one pass through the scan list.

Threshold When Autorange Is Used

If autoranging is used, the absolute trigger threshold value will change, based on the current range. Although the same percentage is used, since the full scale value is different for each range, a different absolute value results. Autoranging is not recommended for the first channel when STTRIG MEAS is used. Therefore, the first channel in the CLWRITE *ch_list* should use a fixed range or RANGE should be used.

If autorange is used, the stop trigger may be generated on an undesired input threshold. With autorange, the range selected for the first channel in the scan list may or may not be the desired range. For example, suppose you want the stop trigger to be generated when the input crosses 30% of the 10.24 V range (3.072 V).

With autoranging selected the voltmeter may select any of the four ranges, depending on the input signal level. For example, if the 2.56V range is selected and PERC 30 is set the stop trigger will be generated when the input level reaches 0.768 V rather than the 3.072 V desired. To avoid this problem, use a fixed range for the first channel in CLWRITE *ch_list* or use the RANGE command.

Example: Setting Stop Trigger

For this example, we want to measure the data from the last two prescans before the stop trigger is accepted. To do this, the stop trigger source will be set to STTRIG EXT0. The voltmeter is set for PRESCAN 2 and POSTSCAN 0. Channels 500-509 are to be measured with one reading per channel and SCDELAY [*scan_pace*] is set for 1 second. That is, the time between the start of each scan pass is 1 second.

With these settings, the voltmeter continuously makes prescan passes until the stop trigger is accepted. For PRESCAN 2, the stop trigger will not be enabled until the second prescan pass. Since RDGSMODE COMPLETE is set, the data stored in the voltmeter data buffer will be trimmed to that received from the last two prescans before the stop trigger. Refer to "Readings Storage Mode (RDGSMODE)" for details on the RDGSMODE command.

For this program, a stop trigger received before the second prescan pass will be ignored, a stop trigger received on the second pass will be accepted at the end of the second pass, and a stop trigger received after the third pass will be accepted at the end of that pass.

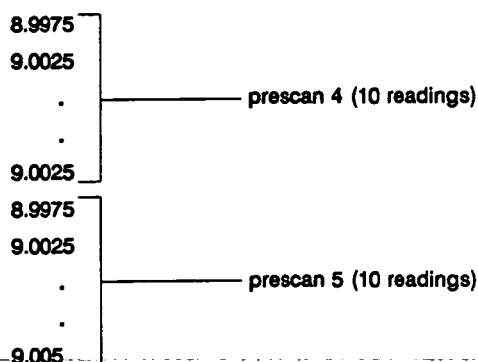
For example, a stop trigger received at $t = 1$ second (at the end of the first prescan pass) will be ignored and the voltmeter will continue to make scan passes until another stop trigger is received and accepted. For a trigger received at $1 < t \leq 2$ seconds (during the second prescan pass), the program returns the data from the first two prescans. Or, for a trigger received at $99 < t \leq 100$ seconds, the program returns the data from the 99th and 100th prescan passes.

```

10 DIM Volts(0:19)           ! Dimension controller array
20 OUTPUT 709;"USE 600"     ! Use voltmeter in MF slot 6
30 OUTPUT 709;"SCANMODE ON" ! Set Scanner Mode
40 OUTPUT 709;"CONF DCV"   ! Set DC volts
50 OUTPUT 709;"RANGE 9"    ! Set 10.24V range
60 OUTPUT 709;"RDGSMODE COMPLETE" ! Trim data to (PRESCAN +
                                POSTSCAN) passes
70 OUTPUT 709;"SCDELAY 0,1" ! 0 msec scan trig delay, 1 sec scan
                                pace
80 OUTPUT 709;"PRESCAN 2"  ! Make 2 prescan passes
90 OUTPUT 709;"POSTSCAN 0" ! Make 0 postscan passes
100 OUTPUT 709;"CLWRITE 500-509" ! Set ch 500-509 as scan list
110 OUTPUT 709;"STTRIG EXT0" ! Set EXT0 port as stop trigger source
120 OUTPUT 709;"SCTRIG INT" ! Internal scan trigger
130 OUTPUT 709;"XRDGS 600" ! Read last 2 prescans before stop trig
140 INTER 709;Volts(*)     ! Enter last 2 prescans
150 PRINT USING "K, ";Volts(*) ! Display last 2 prescans
160 END

```

If the stop trigger is received at $t = 4.5$ seconds (during prescan pass 5), the data from prescans 4 and 5 is returned. A typical return for a set of 9V 5% sources on channels 500-509 (values in volts) is:



Selecting Data Transfers/Interrupts

Guidelines follow to select data destination and storage modes, to transfer readings, and to enable voltmeter interrupts. Refer to the HP 3852A Mainframe Configuration and Programming Manual for additional details on data transfers and interrupt handling.

As shown in Figure 5-15, readings stored in the voltmeter data buffer can be transferred to the controller, to mainframe memory, or to the GPIO port. Maximum transfer rate to an HP Series 200/300 controller is about 35,000 readings/second when the transfer is over HP-IB (via the mainframe memory). Maximum transfer rate to the mainframe memory is 90,000 readings/second while maximum transfer rate to the controller via the GPIO port is 100,000 readings/second.

NOTE

This chapter does not discuss GPIO transfers. Refer to Chapter 7 - GPIO Operation for details on GPIO transfers.

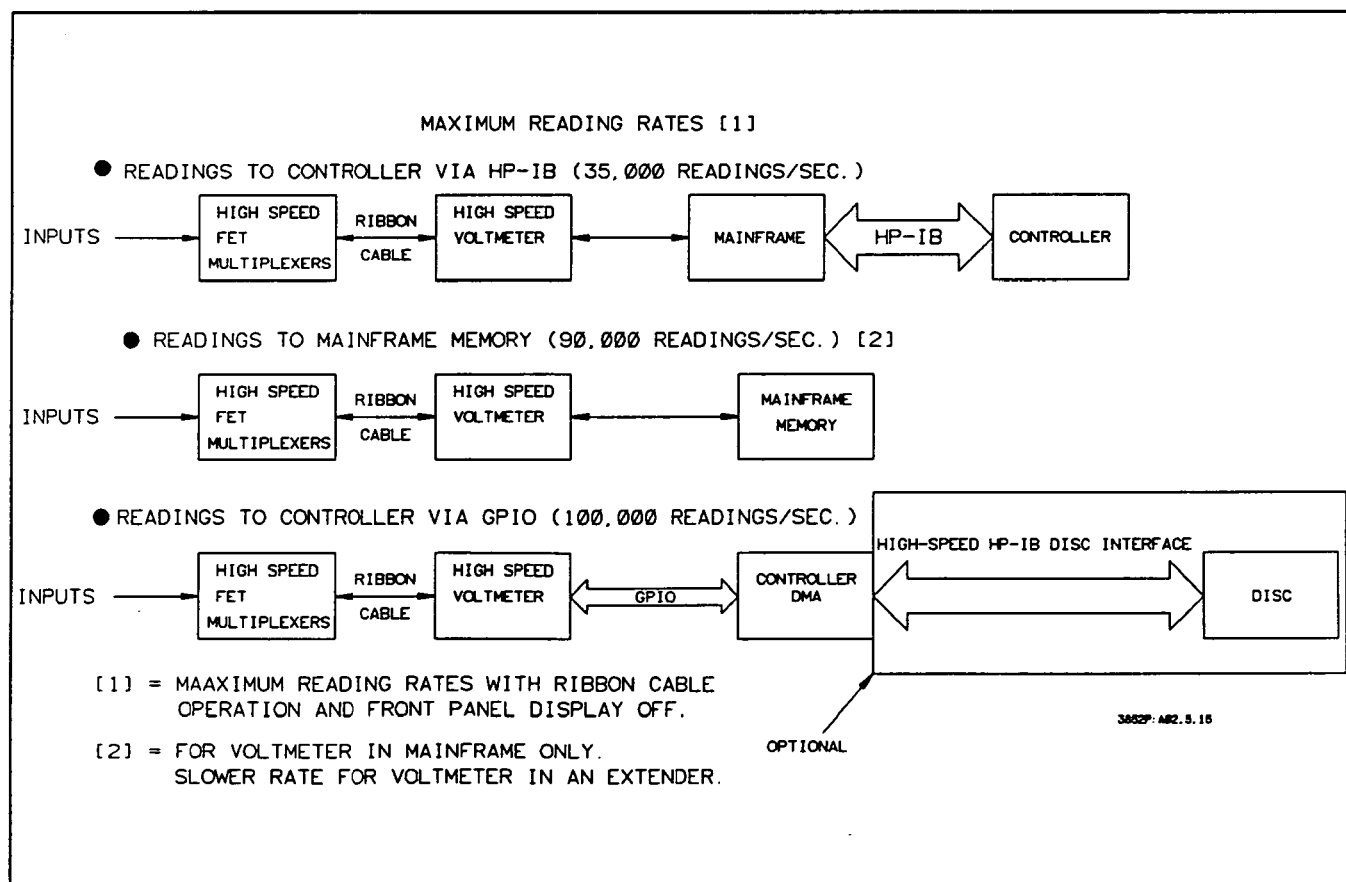


Figure 5-15. Maximum Data Transfer Rates

Readings Destination (RDGS) *RDGS dest [USE ch]* sets the destination for readings stored in the voltmeter data buffer and for voltmeter interrupt signals. RDGS SYS sets the mainframe as the destination, while RDGS GPIO sets the GPIO port. Power-on and default mode is RDGS SYS.

With RDGS SYS, measurement data is sent to mainframe memory or to the output buffer/display as specified by a read command (CHREAD, CONFMEAS, MEAS, or XRDGS). With RDGS GPIO, CHREAD and XRDGS are not allowed and voltmeter interrupts are sent ONLY to the GPIO port.

NOTE

1. *RDGS SYS is set for all examples in this chapter. Refer to Chapter 7 - GPIO Operation for operation with RDGS GPIO.*
 2. *Since changing RDGS disables all voltmeter interrupts, voltmeter interrupts must be enabled (with ENABLE INTR) after setting RDGS.*
-

Readings Storage Mode (RDGSMODE) All measurements made by the voltmeter are first stored in the voltmeter data buffer and remain in the buffer until read by a CONFMEAS, MEAS, CHREAD, or XRDGS command (when RDGS SYS is set) or when destroyed by most other voltmeter commands. Data stored in the voltmeter buffer can be read only when a “data is available” condition exists, as defined by RDGSMODE. The RDGSMODE command affects three areas of voltmeter operation:

- When measurement data becomes available.
- If measurement data overwrites in the data buffer.
- When an interrupt (if enabled) is generated.

RDGSMODE has four modes (DAV, BURST, END, and COMPLETE) and sets both data and interrupt conditions for the voltmeter, as described in the following paragraphs and summarized in Table 5-24 (also see Figure 5-7).

NOTE

Since changing RDGSMODE disables all voltmeter interrupts, set RDGSMODE before enabling interrupts with ENABLE INTR.

RDGSMODE DAV

Data is available when any reading is stored in the voltmeter data buffer. If the buffer fills, the scan sequence is aborted. However, data in the buffer when it

fills (8,192 readings for an HP 44702A or 65,536 readings for an HP 44702B or HP 44704A) remains valid and is readable.

If an interrupt is enabled with **ENABLE INTR**, an interrupt is generated whenever there are any measurements in the buffer. **DISABLE INTR** disables but does not clear the interrupt. (**DISABLE INTR** is done implicitly by the mainframe as part of the servicing routine).

RDGSMODE BURST

Data is available when the voltmeter data buffer has room for only 4,096 more readings or at the end of a scan sequence. The scan sequence is aborted if the buffer fills. However, data already in the buffer when it fills remains valid and is readable.

If enabled, an interrupt is generated when the buffer has room for only 4,096 more readings or at the end of a scan sequence. **DISABLE INTR** disables the interrupt. If the scan sequence is still in progress and the buffer has room for more than 4,096 readings (due to some measurements having been read by **CHREAD** or **XRDGS**), **DISABLE INTR** will also clear the interrupt. (**DISABLE INTR** is done implicitly by the mainframe as part of the interrupt service).

RDGSMODE END

Data is available when any reading is stored in the voltmeter data buffer. The scan sequence is aborted if the buffer fills but data in the buffer when it fills remains valid and is readable.

An interrupt, if enabled, is generated **ONLY** at the end of a scan sequence. **DISABLE INTR** disables and clears the interrupt. (**DISABLE INTR** is done implicitly by the mainframe as part of the interrupt service).

RDGSMODE COMPLETE

Data is available **ONLY** at the end of the scan sequence. In contrast to the other three modes, the scan sequence does not stop if the voltmeter data buffer fills (data is overwritten). For example, with an HP 44702B or HP 44704A if the scan sequence generates 65,537 readings and **RDGSMODE COMPLETE** is set, data from reading 65,537 overwrites the previously stored data from reading 1.

For RDGSMODE COMPLETE, data in the buffer is trimmed to exactly (PRESCAN + POSTSCAN) scan passes if the data will all fit in the buffer. If the data will not all fit, the last buffer load of data taken is stored (the last 8,192 readings for an HP 44702A or the last 65,536 readings for the HP 44702B or HP 44704A).

Interrupts, when enabled, are generated ONLY at the end of the scan sequence. DISABLE INTR disables and clears the interrupt. (DISABLE INTR is done implicitly by the mainframe as part of the interrupt service.)

Table 5-24. RDGSMODE Data/Interrupt Conditions

Mode	Measurement Data			Interrupts [1]	
	Data Available	Data Over-write?	Scan Aborts?	When Generated	Intr Cleared by DISABLE INTR? [2]
DAV	When any reading is in the buffer	No	Yes - when buffer fills	When any reading is in buffer	May [3]
BURST,	Buffer is 4,096 rdgs from full -or- scan ends	No	Yes - when buffer fills	Buffer is 4,096 rdgs from full -or- NRDGS rdgs after trig	May [4]
END	When any reading is in buffer	No	Yes - when buffer fills	At end of NRDGS rdgs after trig	Yes
COMPLETE	At end of scan ONLY	Yes	No	At end of NRDGS rdgs after trig	Yes

Notes:
 [1] = Assumes interrupt enabled by ENABLE INTR.
 [2] = DISABLE INTR done by mainframe as part of interrupt service.
 [3] = If no readings are left in the buffer.
 [4] = If scan still in progress or if buffer has room for more than 4,096 readings (due to read by CHREAD or XRDGS)

Transferring Readings Guidelines to transfer readings from the voltmeter data buffer to the mainframe or to the controller follow. Refer to the HP 3852A Mainframe Configuration and Programming Manual for additional details on data transfer methods.

Transfer Single Reading (CHREAD)

When MEAS (or CONFMEAS) is not used, readings stored in the voltmeter data buffer can be transferred to the mainframe memory or the output buffer and/or display one at a time with CHREAD *ch* [INTO *name*] or [*fmt*]. CHREAD with INTO *name* transfers data to mainframe memory into a variable or array previously defined with DIM, REAL, INTEGER, or PACKED. (Use VREAD to transfer data stored in mainframe memory to the output buffer and/or display.)

CHREAD *ch* [*fmt*] transfers one reading from the voltmeter buffer to the output buffer/display in the format specified by *fmt*. If neither INTO *name* or *fmt* is used, data is returned in default format to where the command originated.

To transfer a reading, data must be stored in the voltmeter buffer and data must be available (as defined by RDGSMODE). If a reading is not available when CHREAD is executed, CHREAD waits until the reading is available and the mainframe remains busy.

NOTE

1. When CONFMEAS or MEAS is used, CHREAD is not required (and will not work) since these commands automatically transfer the data to the mainframe memory or output buffer/display as part of the command sequence.
 2. Any programming command except ENABLE INTR or DISABLE INTR clears the voltmeter buffer. This guarantees that any data returned by CHREAD (or XRDGS) reflects the current programmed state.
-

Transfer Multiple Readings (XRDGS)

When CONFMEAS or MEAS is not used, use XRDGS *ch* [*number*] [INTO *name*] or [*fmt*] to transfer multiple readings to the mainframe memory or to the output buffer/display. XRDGS with INTO *name* transfers data to the mainframe memory, while XRDGS without INTO *name* transfers data to the output buffer and/or display. (Use VREAD to read data from mainframe memory to the output buffer and/or display.)

XRDGS *ch* [*number*] [*fmt*] transfers multiple readings to the output buffer/display in the format specified by *fmt*, where *number* is the number of readings to be transferred. The range of *number* is 1 to 2,147,483,647.

If *number* is specified, XRDGS transfers any reading which is available until the specified number of readings have been transferred. If *number* is not specified, the mainframe waits until the scan sequence completes, determines how many readings are stored, and then transfers all readings.

For example, XRDGS 600,100 transfers 100 readings from a voltmeter in slot 6 of the mainframe to the output buffer/display (one at a time) as the readings become available. However, XRDGS 600 (*number* not specified) waits until all readings are available, determines the number of readings, and then transfers all readings.

NOTE

1. When CONFMEAS or MEAS is used, CHREAD is not required (and will not work) since these commands automatically transfer the data to the mainframe memory or output buffer/display as part of the command sequence.

2. Any programming command except ENABLE INTR or DISABLE INTR clears the voltmeter buffer. This guarantees that any data returned by CHREAD (or XRDGS) reflects the current programmed state.

3. Potential Mainframe/Controller Deadlock. With INBUF OFF, the controller and the HP 3852A may deadlock if multiple commands are sent in a single command line and a command generates enough data to fill the output buffer (XRDGS can fill the output buffer).

The best way to avoid potential deadlock is to send a single command per command line and read the results as soon as possible after the data-generating command is sent. Refer to Chapter 5 in the HP 3852A Mainframe Configuration and Programming Manual for details on potential deadlock.

Setting Interrupts Guidelines to enable voltmeter interrupts follow. Refer to the HP 3852A Mainframe Configuration and Programming Manual for additional details on interrupt handling.

Enabling Interrupts (ENABLE INTR) At power-on or when MEAS or CONFMEAS is used, voltmeter interrupts are disabled. However, you can enable interrupts by using the ENABLE INTR command. When enabled, the voltmeter generates an interrupt when data is available (as defined by RDGSMODE).

NOTE

1. Voltmeter interrupts are always serviced by the mainframe, but can be handled by the mainframe or by the controller. Use *DISABLE INTR* to disable the voltmeter from interrupting
 2. The *RDGSMODE* command must be set before the interrupt is enabled. You can use the *INTR?* command to query the status of interrupts. *INTER?* returns the address of the last channel whose interrupt was serviced. If no interrupt has been serviced since power-on or following a system reset, -1 is returned.
-

Table 5-25. Mainframe Interrupt Handling Commands

Command	Description
SUB name sub commands SUBEND	Set up servicing subroutine name in mainframe. Define subroutine servicing action. End subroutine.
USE ch ON INTR CALL name ENABLE INTR SYS ENABLE INTR	Set which voltmeter is to interrupt. call servicing subroutine name on interrupt. Enable mainframe to recognize voltmeter interrupt. Enable voltmeter to interrupt.

Handle Interrupt in Mainframe (ENABLE INTR)

To service and handle a voltmeter interrupt in the mainframe, use *ON INTR CALL name* where *name* is the name of the servicing subroutine. When *ON INTR CALL name* is executed (as a result of the interrupt), the interrupt is disabled. Table 5-25 shows a typical sequence of commands to service and handle a voltmeter interrupt in the mainframe.

Handle Interrupt in Controller (ENABLE INTR)

Interrupts can also be serviced in the mainframe but handled by the controller. Table 5-26 shows a typical set of commands to service a voltmeter interrupt in the mainframe and handle the interrupt in an HP Series 200/300 or equivalent controller.

Table 5-26. Controller Interrupt Handling Commands

Command	Description
Controller Commands	
ON INTR 7 GOSUB Name -or- CALL Name -or- GOTO Name	Call servicing subroutine name on interrupt.
ENABLE INTR 7;2 Name: I	Enable interface to interrupt on SRQ Start controller subroutine
subroutine commands*	Define subroutine actions
SROLL(709)	Serial Poll - clears SRQ bit
RETURN	End controller subroutine
HP 3852A Commands	
USE ch	Set which voltmeter is to interrupt.
RQS INTR (or RQS 512)	Enable RQS Mask Register INTR bit.
RQS ON	Set RQS Mode ON.
ENABLE INTR SYS	Enable mainframe to recognize voltmeter interrupt.
ENABLE INTR	Enable voltmeter to interrupt on data available.
STA?	Clear Status Register FPS, LCL, INTR, LMT, ALRM bits,
CLROUT	Clear output buffer.
Configuration commands	Set voltmeter configuration for measurement.

Disabling Interrupts (DISABLE INTR) **DISABLE INTR [USE *ch*]** prevents the voltmeter from generating an interrupt when a reading becomes available (as defined by the RDGSMODE command). When an interrupt occurs on an enabled channel, the interrupt is disabled when it is serviced and is cleared when all measurements have been read from the voltmeter. Note that CONF clears and disables voltmeter interrupts.

Example: Setting Voltmeter Interrupts This program enables an HP 44702A/B or HP 44704A voltmeter in slots 6 and 7 of the mainframe to interrupt when DC voltage measurements on channels 500 through 509 have been made.

The scan sequence is started by an external trigger into the EXT0 port on the voltmeter rear panel (set by SCTRIG EXT0). The program loops until the scan sequence completes (all ten readings taken) and then generates the interrupt. The interrupt is serviced in controller subroutine Results. When the program completes, the time of the interrupt and the ten readings are displayed. Note that RDGSMODE END does not allow an interrupt to occur until all ten readings have been taken.

When the interrupt occurs, the HP-IB SRQ line is set TRUE and the interrupt is sent to the controller. Also, the INTR bit (bit 9) and the service request bit (bit 6) in the status register are set. Because the interrupt is handled by the controller, both bits must be cleared (STA? clears bit 9, SROLL clears bit 6) before the controller can respond to the next channel interrupt that occurs.

```

10 DIM B(0:9)
20 ON INTR 7 GOTO Results
30 ENABLE INTR 7;2
40 OUTPUT 709;"USE 600"
50 OUTPUT 709;"RQS ON"
60 OUTPUT 709;"RQS INTR"
70 OUTPUT 709;"STA?"

80 OUTPUT 709;"CLR0UT"
90 OUTPUT 709;"SCANMODE ON"
100 OUTPUT 709;"CONF DCV"

110 OUTPUT 709;"RDGSMODE END"
120 OUTPUT 709;"ENABLE INTR"
130 OUTPUT 709;"ENABLE INTR SYS"
140 OUTPUT 709;"CLWRITE 500-509"
150 OUTPUT 709;"SCTRIG EXT0"
160 GOTO 160
170 Results:
180 OUTPUT 709;"TIME"
190 ENTER 709;T
200 PRINT "Intr @ ";TIME$(T)
210 OUTPUT 709;"XRDGS 600,10"
220 ENTER 709;B(*)
230 PRINT USING "K,/";B(*)
240 A = SPOLL(709)
250 STOP
260 END

```

! Dimension controller array
! Call sub on interrupt
! Enable controller intr on SRQ
! Use voltmeter in MF slot 6
! Set RQS mode ON
! Unmask RQS Mask Reg INTR bit
! Clear FPS,LCL,INTR,LMT, ALRM bits
! Clear STA? data from output buffer
! Set Scanner Mode
! Configure for DC voltage measurements
! Interrupt when scan completes
! Enable voltmeter to interrupt
! Enable mainframe to sense interrupt
! Set ch 500-509 as scan list
! Trigger voltmeter from EXT0 port
! Loop until interrupt occurs
! Start controller subroutine
! Query time of day
! Enter time of day
! Display interrupt time/message
! Read ch 500-509 voltages
! Enter ch 500-509 voltages
! Display ch 500-509 voltages
! Read/clear SRQ bit
! End controller subroutine

When the interrupt occurs, the controller queries the time of day and enters the ten readings. For a set of 9V 5% sources connected to channels 500-509, a typical return (voltage value in volts) is:

```

Intr @ 02:46:50
8.995
8.99
.
.
9.01

```

— 10 readings

Measurement Examples

Typical measurement examples for the voltmeter follow, divided into three general categories as shown in Table 5-27. Except as noted, the voltmeter is in mainframe slots 6 and 7 and is connected via the ribbon cable to an HP 44711A/B multiplexer in slot 5 of the mainframe. Scanner Mode ribbon cable operation with RDGS SYS is also assumed. See Figure 3-3 for typical connections to the HP 44711A/B multiplexer.

NOTE

The examples do not include GPIO transfers or GPIO operation. Refer to Chapter 7 - GPIO Operation for examples using GPIO.

Table 5-27. Measurement Examples

Title	Description
Digitizing Waveforms	
Capture a "Window" of Data	Measure voltage values within a specified time frame before and after an event.
Digitize a Waveform	Sample a signal at specified intervals to digitize the waveform.
Graphing a Waveform	Sample a signal at specified intervals and graphically display the result.
High-Speed Data Transfers	
Transfer Data to Mainframe	Take measurements at 80,000 readings per second and transfer data to mainframe memory.
Transfer Data to Controller	Take measurements at 80,000 readings per second and transfer data to controller (via mainframe) at 35,000 readings per second.
Rear Panel Measurements	Take measurements at 80,000 readings per second for an input to the rear panel terminals and transfer data to mainframe memory.
Special Applications,	
Continuous Data Acquisition	Take measurements continuously and transfer the data to the controller when an interrupt occurs.
Synchronize Multiple Voltmeters	Control a slave voltmeter with a master voltmeter to make synchronized measurements.
60 Hz Noise Rejection	Set voltmeter timing parameters and use the STAT (statistics) command to average out 60 Hz line noise.

Digitizing Waveforms

Three examples follow to show some ways the voltmeter can be used to digitize input waveforms. They include capturing a "window" of data around an event, sampling a signal to digitize a waveform, and graphically displaying an input waveform.

Example: Capture of a "Window" of Data

An application for the high-speed voltmeter is to capture a "window" of data centered around an event. One way to do this is to set the voltmeter to continuously make measurements until the event occurs, use the stop trigger to signal the event, and take data as required after the event.

This program sets the voltmeter for two prescans and one postscan. An "event" is signaled by a high-to-low input on the EXT0 port which generates the stop trigger. The measurement consists of DC voltage measurements on channel 500 of an HP 44711A/B multiplexer, with 10 readings per channel.

Readings are made continuously until the stop trigger is received. When the stop trigger is received (high-to-low input to EXT0), the voltmeter completes the current prescan and makes one postscan. Since RDGSMODE COMPLETE is set, when the program completes the data in the buffer will be the last 20 readings before the event plus the 10 readings after the event.

STTRIG EXT0 sets the stop trigger source to the EXT0 port and SCTRIG SGL starts the scan sequence. When SCTRIG SGL is executed, the voltmeter makes continuous scan passes on channel 500 until a low-going pulse is input to the EXT0 port and the stop trigger occurs. The voltmeter then completes the current scan pass, makes one postscan pass and halts.

XRDGS transfers 30 readings (2 prescans + 1 postscan pass of 10 readings each). As noted, since RDGSMODE COMPLETE is set the readings transferred are from the last two prescans before the stop trigger occurs plus the readings from the single postscan. For example, if the stop trigger occurred on the 8th prescan, XRDGS transfers the 20 readings from prescans 7 and 8 plus the 10 readings from postscan 1.

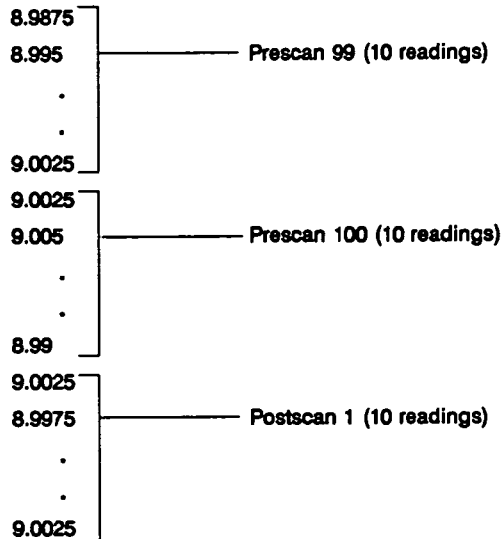
10 DIM Volts(0:29)	<i>! Dim controller array</i>
20 OUTPUT 709;"USE 600"	<i>! Use voltmeter in MF slot 6</i>
30 OUTPUT 709;"SCANMODE ON"	<i>! Set Scanner Mode</i>
40 OUTPUT 709;"CONF DCV"	<i>! Set DC volts</i>
50 OUTPUT 709;"RDGSMODE COMPLETE"	<i>! Trim to 2 prescans + 1 postscan</i>
60 OUTPUT 709;"NRDGS 10"	<i>! Set 10 readings/channel</i>
70 OUTPUT 709;"SPER 10E-6"	<i>! Set 10 μsec between meas triggers</i>
80 OUTPUT 709;"SCDELAY 0"	<i>! Set 0 msec scan trigger delay</i>
90 OUTPUT 709;"PRESCAN 2"	<i>! Set 2 prescans</i>
100 OUTPUT 709;"POSTSCAN 1"	<i>! Set 1 postscan</i>
110 OUTPUT 709;"ASCAN ON"	<i>! Set autoscan mode on</i>
120 OUTPUT 709;"CLWRITE 500"	<i>! Set ch 500 as scan list</i>
130 OUTPUT 709;"STTRIG EXT0"	<i>! Set EXT0 as stop trigger source</i>
140 OUTPUT 709;"STSLOPE HL"	<i>! Set HL slope for stop trigger</i>
150 OUTPUT 709;"SCTRIG SGL"	<i>! Set single scan trigger source</i>
160 OUTPUT 709;"XRDGS 600,30"	<i>! Transfer 30 readings</i>
170 ENTER 709;Volts(*)	<i>! Enter 30 readings</i>

180 PRINT USING "K,/";Volts(*)

! Display 30 readings

190 END

For a 9V 5% voltage source connected to channel 500 a typical return (values in volts) follows if the stop trigger occurs on the 100th prescan pass.



Example: Digitize a Waveform

This program triggers a voltmeter in slot 6 of the mainframe when the voltage input to channel 500 of an HP 44711A/B multiplexer crosses 3.072 V in the negative (high-to-low) direction. When the trigger occurs the voltmeter makes 10 measurements at 0.5 second intervals. Since RDGSMODE DAV is set, an interrupt also occurs with the first reading. The resulting data is a digitized version of the input waveform.

NOTE

The 0.5 second intervals in this example are much longer than typical digitizing applications. The longer interval is used primarily to illustrate the measurement concept. You can, of course, set the interval as small as 10 μ sec, if required.

CONF sets RDGSMODE DAV which makes measurements available immediately. The STA? command reads the Status Register and clears the FPS, LCL, INTR, LMT, and ALRM bits and CLROUT clears the output buffer. The SPOLL command clears the Status Register service request bit (SRQ bit).

10 DIM B(0:9)

! Dimension controller array

20 ON INTR 7 GOTO Results

! Call sub Results on interrupt

30 ENABLE INTR 7;2

! Enable controller intr on SRQ

40 OUTPUT 709;"USE 600"

! Use voltmeter in mainframe slot 6

50 OUTPUT 709;"RQS ON"

! Set RQS mode ON

60 OUTPUT 709;"RQS INTR"	<i>! Enable RQS Mask Reg INTR bit</i>
70 OUTPUT 709;"STA?"	<i>! Clear FPS,LCL,INTR,LMT, ALRM bits</i>
80 OUTPUT 709;"CLROUT"	<i>! Clear output buffer</i>
90 OUTPUT 709;"SCANMODE ON"	<i>! Set Scanner Mode</i>
100 OUTPUT 709;"CONF DCV"	<i>! Set DC volts</i>
110 OUTPUT 709;"RANGE 9"	<i>! Set 10.24 V range</i>
120 OUTPUT 709;"NRDGS 10"	<i>! Make 10 readings</i>
130 OUTPUT 709;"PERC 30"	<i>! Set 3.072V threshold</i>
140 OUTPUT 709;"SCSLOPE HL"	<i>! Set HL slope for scan trigger</i>
150 OUTPUT 709;"SPER 0.5"	<i>! Measure @ 0.5 sec intervals</i>
160 OUTPUT 709;"SCDELAY 0"	<i>! Set 0 sec scan trigger delay</i>
170 OUTPUT 709;"ENABLE INTR"	<i>! Enable voltmeter intr capability</i>
180 OUTPUT 709;"ENABLE INTR SYS"	<i>! Enable mainframe intr capability</i>
190 OUTPUT 709;"CLWRITE 500"	<i>! Set ch 500 as scan list</i>
200 OUTPUT 709;"SCTRIG MEAS"	<i>! Scan trigger on input threshold</i>
210 GOTO 210	<i>! Loop until interrupt occurs</i>
220 Results:	<i>! Start controller subroutine</i>
230 OUTPUT 709;"TIME"	<i>! Query time of day</i>
240 ENTER 709;T	<i>! Enter time of day</i>
250 PRINT "Ch 500 Intr @ ";TIME\$(T)	<i>! Print interrupt time/message</i>
260 OUTPUT 709;"XRDGS 600,10"	<i>! Read ch 500 voltages</i>
270 ENTER 709;B(*)	<i>! Enter voltages</i>
280 PRINT "Ch 500 Voltages"	<i>! Display header</i>
290 PRINT USING "K";B(*)	<i>! Display voltages</i>
300 A = SPOLL (709)	<i>! Read/clear SRQ bit</i>
310 STOP	<i>! End controller subroutine</i>
320 END	

When the trigger occurs (input voltage $\leq 3.072V$), the voltmeter takes 10 measurements separated by 0.5 sec intervals. These measurements can be used to digitize the waveform for the 5 second interval following the trigger. A typical return for a decreasing ramp-type function (voltage value in volts) follows.

```
Ch 500 Intr @ 02:46:50
Ch 500 Voltages
3.0375 2.8725 2.4 1.88 1.34 0.675 0.575 0.44 0.37 0.275
```

Example: Graphing a Waveform This program samples the voltage of the input connected to channel 500 of an HP 44711A/B multiplexer and displays the results in graphical form. The voltmeter is set for 2 prescans and 2 postscans. The stop trigger threshold is set for 4.096 volts (10.24V range x 40% as set with PERC).

When the input reaches 4.096 volts, the stop trigger is generated. Since RDGSMODE COMPLETE is set, readings from the last two prescans before the stop trigger plus the two postscans after the stop trigger (40 readings total at 0.1 sec intervals) are transferred to the controller by XRDGS and displayed.

```

10 DIM Volts(0:39)                ! Dimension controller array
20                                !
30                                ! Set up voltmeter
40                                !
50 OUTPUT 709;"USE 600"           ! Use voltmeter in mainframe slot 6
60 OUTPUT 709;"SCANMODE ON"       ! Set Scanner Mode
70 OUTPUT 709;"CONF DCV"          ! Configure for DC volts
80 OUTPUT 709;"RANGE 9"           ! Set 10.24V range
90 OUTPUT 709;"RDGSMODE COMPLETE" ! Trim to (prescans + postscans)
100 OUTPUT 709;"NRDGS 10"         ! Set 10 readings/channel
110 OUTPUT 709;"PERC 40"          ! Gen stop trigger at 4.096 V
120 OUTPUT 709;"SPER .1"          ! Measure trigger @ .1 sec intervals
130 OUTPUT 709;"SCDELAY 0"        ! Set 0 msec scan trigger delay
140 OUTPUT 709;"PRESCAN 2"        ! Set 2 prescans
150 OUTPUT 709;"POSTSCAN 2"      ! Set 2 postscans
160 OUTPUT 709;"ASCAN ON"         ! Only one scan trigger required
170 OUTPUT 709;"CLWRITE 500"      ! Set ch 500 as scan list
180 OUTPUT 709;"STSLOPE LH"       ! Set LH slope for stop trigger
190 OUTPUT 709;"STTRIG MEAS"     ! Stop trigger on threshold
200 OUTPUT 709;"SCTRIG SGL"       ! Single scan trigger
210 OUTPUT 709;"XRDGS 600,40"     ! Transfer 40 readings
220 ENTER 709;Volts(*)            ! Enter 40 readings
230                                !
240                                ! Graph results
250                                !
260 GINIT
270 PLOTTER IS 3,"INTERNAL"
280 OUTPUT KBD;CHR$(255)&CHR$(75);
290 GRAPHICS ON
300 VIEWPORT 0,135,25,95
310 WINDOW 0,4,0,9
320 MOVE 0,0
330 AXES,1,,5,0,0,10,2,8
340 MOVE 0,0
350 FOR I=0 TO 39

```

```
360 DRAW..1*1,Volts(I)
```

```
370 NEXT I
```

```
380 END
```

A typical return for this program is shown in Figure 5-16 where the x-axis is time in seconds and the y-axis is voltage in Volts.

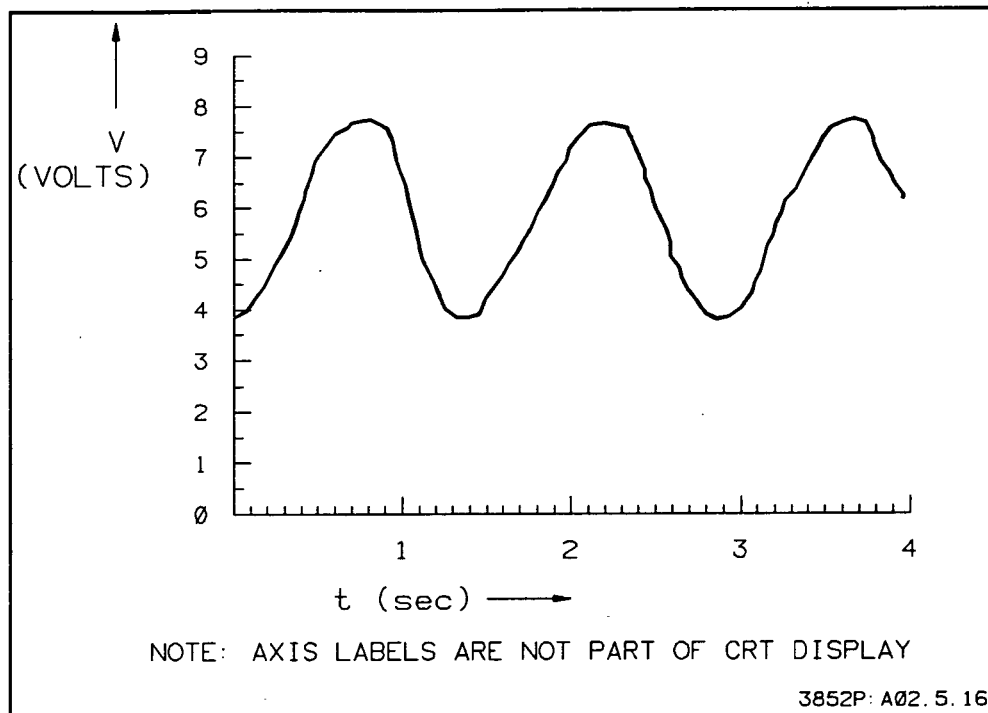


Figure 5-16. Example: Graphing a Waveform

High-Speed Data Transfers

Three examples follow to show some ways that data can be acquired and transferred at high speeds, including transfers to the mainframe memory and to the controller (via the mainframe memory).

Example: Transfer Data to Mainframe

This program shows how to make high-speed measurements at 80,000 readings/second and transfer the readings to the mainframe memory. The program makes 5,000 measurements on a single channel (channel 500) and stores them in mainframe array PARR (in PACKED format) for eventual transfer and unpacking by the controller.

Since SPER is set for $12.5 \mu\text{sec}$, measurements are taken at $12.5 \mu\text{sec}$ intervals. SCDELAY 0, 1.25E-3 sets 0 msec scan trigger delay and 1.25 msec between scans. For DC voltage measurements with the high-speed voltmeter, PACKED data is returned with two bytes/reading. Thus, PARR must be dimensioned for 10,000 bytes to store 5000 PACKED readings.

Note that the front panel display is turned off with DISP OFF. This is very important for high-speed scans as it greatly improves high-speed performance.

```

10 ASSIGN @Dac to 709           / Assign Dac as I/O path
20 OUTPUT @Dac;"PACKED PARR(9999)" / Dim PACKED mainframe array
30 OUTPUT @Dac;"USE 600"       / Use voltmeter in MF slot 6"
40 OUTPUT @Dac;"DISP OFF"     / Mainframe display off
50 OUTPUT @Dac;"SCANMODE ON"  / Set Scanner Mode
60 OUTPUT @Dac;"CONF DCV"     / Configure for DC volts
70 OUTPUT @Dac;"RANGE 9"     / Set 10.24V range
80 OUTPUT @Dac;"NRDGS 100"    / Set 100 readings/channel
90 OUTPUT @Dac;"SPER 12.5E-6" / 12.5  $\mu$ sec between meas
100 OUTPUT @Dac;"SCDELAY 0,1.25E-3" / 1.25 msec between scans
110 OUTPUT @Dac;"PRESCAN 50" / Set 50 prescans
120 OUTPUT @Dac;"POSTSCAN 0" / Set 0 postscans
130 OUTPUT @Dac;"CLWRITE 500" / Set ch 500 as scan list
140 OUTPUT @Dac;"SCTRIG INT" / Internal scan triggers
150 OUTPUT @Dac;"XRDGS 600,5000 INTO PARR"! Xfer 5,000 rdgs to PARR
160 END

```

Example: Transfer Data to Controller

This program makes measurements at 80,000 readings/second, transfers the readings to the controller at approximately 35,000 readings per second, and unpacks the readings in the controller. The example includes unpacking functions for 13 bit (HP 44702A/B, and HP 44704A after RST) and 14 bit (HP 44704A after RESOL 14 command) modes. Call the appropriate one by editing line 310.

The program makes 25 measurements (5 readings on each of 5 channels) and stores them in mainframe array PARR in PACKED format. The readings are transferred to the output buffer with the VREAD command and then transferred to the controller with the TRANSFER statement. The packed readings are then unpacked by the controller. Since packed DC voltage readings have a 2 bytes/reading format, PARR must be defined for 50 bytes.

Since SPER is set for 12.5 μ sec, measurements are taken at 12.5 μ sec intervals. SCDELAY 0 sets 0 sec scan trigger delay. Note that the front panel display is turned off with DISP OFF. This is very important for high-speed scans as it greatly improves system performance.

NOTE

It may appear that transferring PACKED readings directly from the voltmeter to the controller is faster than transferring the readings to the mainframe memory and then to the controller. However, this is not the case.

For an HP Series 200/300 controller, maximum transfer rate over HP-IB is about 3,000 readings/sec, while transfer rate via the mainframe memory is about 35,000 readings/sec. The transfer rate for the small number of readings

in this program will not be 35,000 readings/sec, but should approach this value for a large number of readings.

```
30 ! Define I/O paths, buffer, array
40 OPTION BASE 0                ! Set option base 0
50 INTEGER Bdata(1:25) BUFFER   ! Define controller buffer
60 ASSIGN @Dac to 709          ! HP 3852A I/O address
70 ASSIGN @Hp_3852 to 709;FORMAT OFF ! Set up HP-IB path
80 ASSIGN @Bdata to BUFFER Bdata(*);FORMAT OFF! Controller buffer path
90 OUTPUT @Dac;"PACKED PARR(49)" ! HP 3852A packed array
100                               !
110 ! Set up voltmeter and transfer data
130 OUTPUT @Dac;"USE 600"       ! Use voltmeter in MF slot 6
140 OUTPUT @Dac;"DISP OFF"     ! Mainframe display off
150 OUTPUT @Dac;"SCANMODE ON"  ! Set Scanner Mode
160 OUTPUT @Dac;"CONF DCV"     ! Configure for DC volts
170 OUTPUT @Dac;"RANGE 9"     ! Set 10.24V range
180 OUTPUT @Dac;"NRDGS 5"     ! Set 5 readings/channel
190 OUTPUT @Dac;"SPER 12.5E-6" ! Set 12.5 µsec between meas
200 OUTPUT @Dac;"SCDELAY 0"   ! Set 0 msec scan trig delay
210 OUTPUT @Dac;"CLWRITE 500-504" ! Set ch 500-504 as scan list
220 OUTPUT @Dac;"ASCAN ON"    ! Single scan trigger required
230 OUTPUT @Dac;"SCTRIG SGL"  ! Single scan trigger
240 OUTPUT @Dac;"XRDGS 600,25 INTO PARR"! Transfer rdgs to mainframe
250 OUTPUT @Dac;"VREAD PARR,PACK" ! Transfer rdgs to output buffer
260 TRANSFER @Hp_3852 TO @Bdata;END,WAIT! Transfer rdgs to controller
280
290 ! Unpack PACKED data
300 FOR I = 1 TO 25
310 PRINT FNUnpk13(Bdata(I))   ! Print readings
320 NEXT I
330 END
340 DEF FNUnpk13(INTEGER Bdata) ! Define 13 bit unpack function
350 REAL R(0:3)
360 DATA 256.,32.,4.,1.
370 READ R(*)
380 M = BINAND(Bdata,4095)
390 IF Bdata > 0 OR M = 4095 THEN
400 RETURN 1.E + 38
410 ELSE
420 V = M*.0025/R(BINAND(SHIFT(Bdata,13),3))
430 IF BIT(Bdata,12) THEN V = -V
440 RETURN V
```

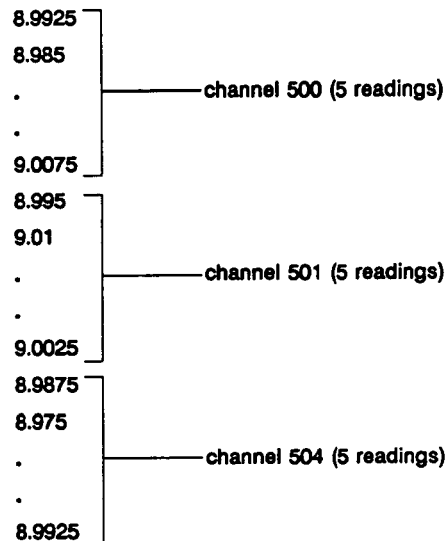


```

450 END IF
460 FNEND ! End 13 bit unpack function
470 DEF FNUnpk14(INTEGER Pack) ! Define 14 bit unpack function
480 REAL R(0:3) ! Alloc. range factor array
490 DATA 256.,32.,4.,1. ! Range function data
500 READ R(*) ! Fill array with range factors
510 ! Convert A/D bits and range bits to volt reading
520 V = SHIFT(BINAND(16383, Pack), -2)/4*.00125/R(BINAND(SHIFT(Pack,14),3))
530 RETURN V
540 FNEND ! End 14 bit unpack function

```

For a set of 9V 5% sources connected to channels 500-504, a typical return is:



Example: Rear Panel Measurements Typically, high-speed scanning is accomplished using the voltmeter with an HP 44711A/B, 44712A, or 44713A/B multiplexer and ribbon cable operation. However, you can make high-speed measurements (up to 90,000 readings per second) of a single "channel" by sending the input signal to the voltmeter rear panel terminals.

This program makes 25 measurements of an input to the rear panel terminals at 80,000 readings/second, stores the readings in mainframe array PARR (in PACKED format), then transfers and unpacks the readings in the controller. The example includes unpacking functions for 13 bit (HP 44702A/B, and HP 44704A after RST) and 14 bit (HP 44704A after RESOL 14 command) modes. Call the appropriate one by editing line 310. Since SPER is set for 12.5 μ sec, measurements are taken at 12.5 μ sec intervals. SCDELAY 0 sets 0 msec scan trigger delay.

Note that CLWRITE is not used, since there are no multiplexer channels to be measured. Instead, the voltmeter sets up a "dummy" channel in the scan list for each reading and takes the readings from the source specified by TERM (TERM EXT in this program). Also, note that the front panel display is turned off with DISP OFF. This is very important for high-speed scans as it greatly improves system performance.

```

30 ! Define I/O paths, buffer, array           !
40 OPTION BASE 0                               ! Set option base 0
50 INTEGER Bdata(1:25) BUFFER                 ! Define controller buffer
60 ASSIGN @Dac to 709                         ! HP 3852A I/O address
70 ASSIGN @Hp_3852 to 709;FORMAT OFF         ! Set up HP-IB path
80 ASSIGN @Bdata to BUFFER Bdata(*);FORMAT OFF ! Controller buffer path
90 OUTPUT @Dac;"PACKED PARR(49)"             ! HP 3852A packed array
100                                           !
120 ! Set up voltmeter and transfer data      !
130 OUTPUT @Dac;"USE 600"                     ! Use voltmeter in MF slot 6
140 OUTPUT @Dac;"DISP OFF"                   ! Mainframe display off
150 OUTPUT @Dac;"SCANMODE ON"               ! Set Scanner Mode
160 OUTPUT @Dac;"CONF DCV"                  ! Configure for DC volts
170 OUTPUT @Dac;"TERM EXT"                  ! Rear terminals are input
180 OUTPUT @Dac;"RANGE 9"                   ! Set 10.24V range
190 OUTPUT @Dac;"NRDGS 25"                  ! Set voltmeter for 25 rdgs
200 OUTPUT @Dac;"SPER 12.5E-6"              ! Set 12,5 µsec between meas
210 OUTPUT @Dac;"SCDELAY 0"                 ! Set 0 msec scan trig delay
220 OUTPUT @Dac;"ASCAN ON"                  ! Single scan trigger required
230 OUTPUT @Dac;"SCTRIG SGL"                ! Single scan trigger
240 OUTPUT @Dac;"XRDGS 600,25 INTO PARR"! Transfer rdgs to mainframe
250 OUTPUT @Dac;"VREAD PARR,PACK"           ! Transfer rdgs to output buffer
260 TRANSFER @Hp_3852 TO @Bdata;END,WAIT! Transfer rdgs to controller
270                                           !
290 ! Unpack PACKED data                     !
300 FOR I = 1 TO 25                           ! Begin unpacking function
310 PRINT FNUnpk13(Bdata(I))                 ! Print readings
320 NEXT I
330 END
340 DEF FNUnpk13(INTEGER Bdata)
350 REAL R(0:3)
360 DATA 256.,32.,4.,1.
370 READ R(*)
380 M = BINAND(Bdata,4095)
390 IF Bdata > 0 OR M = 4095 THEN
400 RETURN 1.E + 38
410 ELSE
420 V = M *.0025/R(BINAND(SHIFT(Bdata,13),3))/I

```

```

430 IF BIT(Bdata,12) THEN V = -V
440 RETURN V
450 END IF
460 FNEND ! End 13 bit unpack function
470 DEF FNUnpk14(INTEGER Pack) ! Define 14 bit unpack function
480 REAL R(0:3) ! Alloc. range factor array
490 DATA 256.,32.,4.,1. ! Range function data
500 READ R(*) ! Fill array with range factors
510 ! Convert A/D bits and range bits to volt reading
520 V = SHIFT(BINAND(16383,Pack),-2)/4*.00125/R(BINAND(SHIFT(Pack,14),3))
530 RETURN V
540 FNEND ! End 14 bit unpack function

```

Special Applications

These three examples show some special applications for the voltmeter, including continuous data acquisition, synchronizing multiple voltmeters, and 60 Hz noise rejection.

Example: Continuous Data Acquisition

This program shows one way to do continuous data acquisition with the voltmeter. The program uses an HP Series 200/300 controller with a DMA card, an HP 44702B or HP 44704A in slot 6 of the mainframe, an HP 44711A/B multiplexer in slot 5 of the mainframe, and an HP 44721A digital input accessory in slot 2 of the mainframe. The input to the HP 44721A (used for interrupt) is to channel 200. The accessory debounce jumper is set for 10 Hz and the channel 200 attenuator jumper is set for 5V.

For this program, the voltmeter makes continuous measurements on channel 500 of the multiplexer. Data is continuously transferred from the voltmeter to the controller via the mainframe memory. When a low-to-high transition (LH edge) occurs on channel 200 of the HP 44721A digital input, an interrupt is generated to the controller. After the interrupt occurs, the voltmeter takes readings for an additional 1/2 second and the program ends.

NOTE

Since the readings stored in the controller are in PACKED format, the readings must be unpacked to be readable. Refer to "Example: Transfer Data to Controller" for an example unpacking function.

Define Variables and Buffer

Lines 40 - 60 define the variable and buffer names for the program. S300_buff is an INTEGER buffer in the controller.

Assign I/O Paths

Lines 100 - 120 assign the mainframe I/O address and the I/O transfer paths from the mainframe to the controller buffer S300_buff.

Configure the Voltmeter

Lines 160 - 330 configure the voltmeter for DC voltage measurements on channel 500. Measurements are made at 27.5 μ sec intervals (approximately 36 kHz). Note that STTRIG HOLD (line 330) is set. Thus, the stop trigger is not enabled (and the voltmeter continuously make measurements) until an interrupt from the digital input accessory occurs.

Enable Interrupts

Lines 370 - 400 enable controller interrupts and keep the data transfer operation going. In line 370, if a TRANSFER is completed and an interrupt has not occurred, subroutine Xfer_done is called and the transfer process is restarted.

If an interrupt has occurred (LH edge on the digital input), line 380 branches to Terminate which ends the program 0.5 seconds after the interrupt occurs. Lines 390 and 400 enable controller interrupt capability. Note, however, that Xfer_done is always performed since it has a higher priority (priority 5 in line 370) than the interrupt.

Subroutine INTROUT

Subroutine INTROUT is called when the voltmeter has room for only 4,096 more readings (since RDGSMODE BURST is set). This subroutine transfers 4,096 PACKED readings to mainframe array A and then to the output buffer for transfer to the controller buffer S300_buff. Voltmeter interrupt capability is then re-enabled.

Subroutine XIT

Subroutine XIT is called when an interrupt (LH edge) occurs on the HP 44721A digital input accessory. This subroutine generates the stop trigger for the voltmeter and transfers 4,096 readings from the voltmeter to mainframe array A and then to the output buffer. A service request is sent to the controller and a single "BEEP" is generated to advise of the interrupt. When the subroutine completes, the program branches to Terminate (line 1030).

In line 560, STA? INTO X clears the status register bits shown and the status register state is stored in variable X. This ensures that the status register information is not included in any data transfer operation.

Call Subroutines

Lines 630 - 640 call subroutines on interrupt. An LH edge on the digital input calls subroutine XIT. When the voltmeter data buffer has room for only 4,096 more readings, subroutine INTROUT is called.

Enable Accessory Interrupts

Lines 680 - 730 enable the voltmeter and digital inputs to interrupt and enable the mainframe to recognize the interrupt. RQS FPS and RQS ON enable service request operation.

Trigger the Voltmeter

Line 770 issues a single scan trigger to start the scan sequence. Since ASCAN ON is set (line 310), only a single scan trigger is required for continuous passes.

Start Data Transfers

Line 810 transfers data from the output buffer to the controller buffer.

Read Buffer Status

While the transfers are in progress, lines 850 - 920 read the status of buffer S300_buff and provide a continuous display of the fill pointer position, input/output status, and index number.

Restart Transfers

When a transfer completes, line 370 calls the Xfer_done subroutine which resets the buffer fill pointer and restarts the transfer operation. The buffer index counter is also incremented.

End Program

When an LH edge on the digital input occurs, the program goes to Terminate (line 1030). After the interrupt occurs, the voltmeter takes another 1/2 second of data, the I/O path is closed, and the program ends. A typical display after an interrupt occurs follows the program listing.

```
30 ! Define variables and buffer
40 OPTION BASE 0
50 INTEGER Cntr,Done,In_stat_byt,Out_stat_byt,Mask ! Define variables
60 INTEGER S300_buff(1:24576) BUFFER ! Define buffer
70 !
80 Iopath_setup: ! Define I/O paths
90
100 ASSIGN @Comp TO 709 ! HP 3852A I/O address
110 ASSIGN @Path_3852 TO 709;FORMAT OFF! HP-IB I/O path
120 ASSIGN @S300_buff TO BUFFER S300_buff(*);FORMAT OFF! Buffer I/O path
130 !
140 Dvm_setup: ! Configure the voltmeter
```

```

150
160 CLEAR @Comp                               / clear 709
170 OUTPUT @Comp;"RST"                         / Reset HP 3852A
180 OUTPUT @Comp;"OUTBUF ON"                  / Turn output buffer on
190 OUTPUT @Comp;"INBUF ON"                   / Turn input buffer on
200 OUTPUT @Comp;"PACKED A(8191)"             / Define PACKED array
210 OUTPUT @Comp;"INTEGER X"                  / Define INTEGER variable
220 OUTPUT @Comp;"DISP OFF"                   / Turn front panel display off
230 OUTPUT @Comp;"USE 600"                    / Use voltmeter in MF slot 6
240 OUTPUT @Comp;"SCANMODE ON"                / Set Scanner Mode on
250 OUTPUT @Comp;"CONF DCV"                   / Configure for DC volts
260 OUTPUT @Comp;"RANGE 2.5"                  / Set 2.56V range
270 OUTPUT @Comp;"RDGSMODE BURST"             / Enter when room for 4096 rdgs
280 OUTPUT @Comp;"SPER 27.5E-6"               / Set 27  $\mu$ sec between rdgs
290 OUTPUT @Comp;"SCDELAY 16E-3"              / Set 16 msec scan trig delay
300 OUTPUT @Comp;"POSTSCAN 4096"              / Set 4,096 postscans
310 OUTPUT @Comp;"ASCAN ON"                   / Set autoscan on
320 OUTPUT @Comp;"CLWRITE 500"                / Set ch 500 as scan list
330 OUTPUT @Comp;"STTRIG HOLD"                / Set stop trigger to HOLD
340
350 Intr_setup:                                / Set up interrupts
370 ON EOT @Path_3852,5 GOSUB Xfer_done / When transfer stops, restart
380 ON INTR 7 GOTO Terminate                   / Stop on dig input intr
390 Mask = 2                                   / Set SRQ interrupt mask,
400 ENABLE INTR 7;Mask                         / Enable cont intr capability
410
430 / subroutine INTROUT
440 OUTPUT @Comp;"SUB INTROUT"                 / Start INTROUT subroutine
450 OUTPUT @Comp;"XRDGS 600,4096 INTO A"! Trans 4,096 rdgs to array A
460 OUTPUT @Comp;"VREAD A,PACK"               / Trans rdgs to output buffer
470 OUTPUT @Comp;"ENABLE INTR USE 600"! Re-enable VM to interrupt
480 OUTPUT @Comp;"SUBEND"                     / End INTROUT subroutine
490
510 / Subroutine XIT
520 OUTPUT @Comp;"SUB XIT"                     / Start XIT subroutine
530 OUTPUT @Comp;"STTRIG SGL USE 600" / Single trigger voltmeter
540 OUTPUT @Comp;"XRDGS 600,4096 INTO A"! Trans 4,096 rdgs to array A
550 OUTPUT @Comp;"VREAD A,PACK"               / Trans rdgs to output buffer
560 OUTPUT @Comp;"STA? INTO X"                / Clr FPS,LCL,INTR,LMT bits
570 OUTPUT @Comp;"SRQ"                        / SRQ message to controller
580 OUTPUT @Comp;"BEEP"                       / BEEP once
590 OUTPUT @Comp;"SUBEND"                     / End XIT subroutine
600
620 / Call subroutines on interrupt

```

```

630 OUTPUT @Comp;"ON INTR USE 216 CALL XIT"! Call XIT on dig in intr
640 OUTPUT @Comp;"ON INTR USE 600 CALL INTROUT"! Call INTROUT
650                                     !
670 ! Enable voltmeter and digital input interrupts
680 OUTPUT @Comp;"RQS FPS"             ! Unmask Service Request bit
690 OUTPUT @Comp;"RQS ON"             ! Enable Service Request mode
700 OUTPUT @Comp;"ENABLE INTR USE 600"! Enable voltmeter interrupt
710 OUTPUT @Comp;"EDGE LH USE 216"    ! Set digital input edge
720 OUTPUT @Comp;"ENABLE INTR USE 216"! Enable digital input intr
730 OUTPUT @Comp;"ENABLE INTR SYS"    ! Enable mainframe intr
740                                     !
760 ! Trigger the voltmeter
770 OUTPUT @Comp;"SCTRIG SGL"         ! Single scan trigger
780                                     !
800 ! Start data transfers
810 Start:TRANSFER @Path_3852 TO @S300_buff;COUNT 49152,EOR (END)
820                                     !
840 ! Read S300_buff status while transfers run
850 Cntr = 0
860 LOOP
870 STATUS @S300_buff,3;Fill_ptr
880 PRINT TABXY(10,5);"Fill Pointer is";Fill_ptr
890 STATUS @S300_buff, 10;In_stat_byt,Out_stat_byt
900 PRINT TABXY(10,8);"Status In/Out ";In_stat_byt," ";Out_stat_byt
910 PRINTTABXY(10,11);"Index = ";Cntr
920 END LOOP
930                                     !
950 ! Reset S300_buff fill pointer and restart transfers
960 Xfer_done:RESET @S300_buff        ! Reset fill pointer to start
970 TRANSFER @Path_3852 TO @S300_buff;COUNT 49152,EOR (END) ! Restart
xfer
980 Cntr = Cntr + 1                    ! Increment INDEX counter
990 RETURN                              ! Return
1000                                    !
1020 ! End program 0.5 sec after digital input interrupt occurs
1030 Terminate:WAIT .50                ! Take more data after intr
1040 OFF EOT @Path_3852                ! Cancel inbound EOT
1050 ABORTIO @path_3852                ! Clean up HP-IB path
1060 ASSIGN @path_3852 TO *           ! Close I/O path
1070 STATUS @S300_buff,3;Fill_ptr
1080 PRINT TABXY(10,20);"Ending Fill Pointer is";Fill_ptr
1090 END

```

As noted, the voltmeter continuously makes measurements on channel 500 and measurements are transferred via the mainframe memory (array A) to the controller (BUFFER S300_buff. When an interrupt (LH edge on the HP 44721A digital input), the voltmeter takes measurements for 0.5 seconds after the interrupt and the program ends. A typical return when an interrupt occurs follows.

Fill Pointer is 4,0961

Status In/Out 64, 0

Index = 4

Ending Fill Pointer is 8193

Example: Another application is to synchronize the operation of two or more
Synchronize Multiple HP 44702A/B or HP 44704A High-Speed Voltmeters. One of the voltmeters
Voltmeters is designated as the master, the other voltmeters as slaves. Each voltmeter must connect to its own high-speed FET multiplexers and each should have identical channel lists.

The TRIGOUT ON command sets the master voltmeter to output measure triggers from its EXT0 port. The measure triggers are sent via BNC connectors to the EXT0 or EXT1 port (as programmed) of the slave voltmeters. See Figure 5-17 for typical BNC connections.

The preferred programming method is to set up all voltmeters and use SCTRIG SGL to start the scan for all slaves. Then, trigger the master to generate measure triggers which will simultaneously trigger measurements on all channels. This method ensures that a race condition will not develop which could cause the slaves to miss a measure trigger.

NOTE

Due to hardware constraints, measure trigger times may be slightly different between master and slave voltmeters. Refer to "Measure Trigger Timing (SPER)" for details.

For this program, the voltmeter in slot 6 of the mainframe is designated as the master voltmeter which synchronizes the operation of a single slave voltmeter in slot 1 of the mainframe. An HP 44711A/B multiplexer is connected to each voltmeter via its individual ribbon cable.

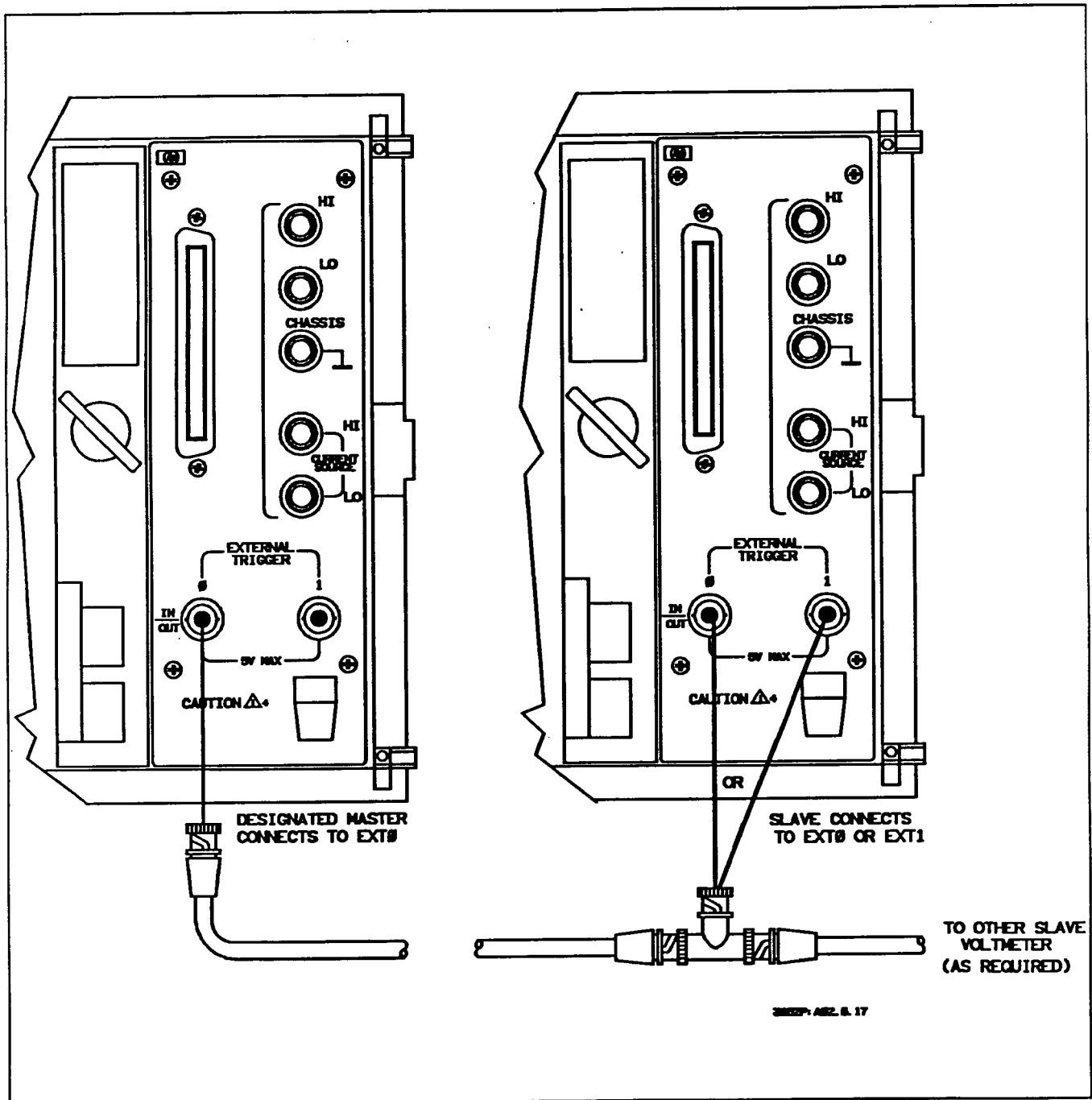


Figure 5-17. Example: Synchronize Multiple Voltmeters

A BNC cable is connected between the master voltmeter EXT0 port and the slave voltmeter EXT0 port as shown in Figure 5-17 to route measure triggers from the master to the slave. Three passes are made through each multiplexer channel list and a total of 9 readings are returned by each voltmeter.

The master voltmeter is set up and configured first, followed by the slave voltmeter. The slave voltmeter is then enabled to respond to the measure trigger from the master and the master voltmeter is triggered.

Lines 80 through 150 set up the master voltmeter. Three passes will be made through the channel list specified by CLWRITE. ASCAN ON sets the master voltmeter so that only one scan trigger is required for the three passes through the scan list.

Lines 190 through 270 set up and enable the slave voltmeter. Since the TRIGOUT signal from the master voltmeter is a negative-going pulse, the SLOPE command sets the slave voltmeter to trigger on the high-to-low transition of the signal. TRIG EXT0 sets the EXT0 port on the slave voltmeter as the measure trigger source.

The slave voltmeter also makes three passes through the channel list specified by CLWRITE. Again, ASCAN ON sets the slave so that only one scan trigger is required to make three passes through the list. SCTRIG SGL starts the scan sequence for the slave voltmeter ONLY. Then, when the measure trigger is received from the master voltmeter, both voltmeters make simultaneous measurements.

SCTRIG SYS and TRG GET set the scan trigger source for the master voltmeter as the HP-IB Group Execute Trigger (GET). When the scan trigger is issued, the master voltmeter outputs measure triggers to the slave so both measurements are synchronized.

```
30 ! Set up controller arrays
40 DIM Rgs1(0:8),Rgs2(0:8)           ! Dim readings arrays
50                                  !
70 ! Set up master voltmeter
80 OUTPUT 709;"RST"                 ! Reset HP 3852A and voltmeters
90 OUTPUT 709;"USE 600"             ! Use VM in MF slot 6 (master)
100 OUTPUT 709;"SCANMODE ON"       ! Enable Scanner Mode
110 OUTPUT 709;"CONF DCV"          ! Configure for DC volts
120 OUTPUT 709;"TRIGOUT ON"        ! Output trig signal to BNC 0
130 OUTPUT 709;"PRESCAN 3"         ! Make 3 passes through scan list
140 OUTPUT 709;"ASCAN ON"          ! Turn autoscan on
150 OUTPUT 709;"CLWRITE 500-502"   ! Ch list/ribbon cable connections
160                                  !
180 ! Set up and scan trigger slave voltmeter
190 OUTPUT 709;"USE 100"           ! Use VM in MF slot 1
200 OUTPUT 709;"SCANMODE ON"       ! Enable Scanner Mode
210 OUTPUT 709;"CONF DCV"          ! Configure for DC volts
220 OUTPUT 709;"SLOPE HL"          ! Trigger on negative-going signal
230 OUTPUT 709;"TRIG EXT0"         ! Set slave BNC 0 to receive trigger
```

```

240 OUTPUT 709;"PRESCAN 3"           ! Make 3 passes through scan list
250 OUTPUT 709;"ASCAN ON"            ! Turn autoscan on
260 OUTPUT 709;"CLWRITE 0-2"        ! Ch list/ribbon cable connections
270 OUTPUT 709;"SCTRIG SGL"         ! Send scan trigger to slave
280                                  !
300 ! Enable and trigger master voltmeter
310 OUTPUT 709;"SCTRIG SYS,USE 600" ! System trigger master voltmeter
320 OUTPUT 709;"TRG GET"            ! Set system trigger source
330 WHILE NOT BIT(SPOLL(709),4)     ! Wait until MF ready before GET
340 END WHILE                        !
350 TRIGGER 709                      ! Trigger the master voltmeter
360                                  !
380 ! Transfer and display readings
390 OUTPUT 709;"XRDGS 600"          ! Trans readings from master
400 ENTER 709;Rgs1(*)               ! Enter master readings
410 PRINT "Slot 5 Readings"
420 PRINT USING "K,/";Rgs1(*)
430 OUTPUT 709;"XRDGS 100"         ! Trans readings from slave
440 ENTER 709;Rgs2(*)               ! Enter slave readings
450 PRINT "Slot 0 Readings"
460 PRINT USING "K,/";Rgs2(*)
470 END

```

For a set of 9V 5% sources connected to channels 0 through 2 and 500 through 502, a typical return (values in volts) is:

```

Slot 5 Readings
8.9775
9.0025 ----- (9 readings)
:
9.005

Slot 0 Readings
8.9925
9.0175 ----- (9 readings)
:
8.985

```

Example: 60 Hz Noise Rejection

This program uses the high-speed voltmeter and the mainframe STAT command to reject 60 Hz noise across 10 multiplexer channels within the period of one cycle of noise. The voltmeter scans the channel list 10 times during the period. SPER is set so that a measurement is taken on each channel within each scan. As measurements are taken, they are stored in a mainframe array. The STAT command then averages out the noise on each channel.

The voltmeter is set for 10 prescans of 10 channels with one reading per channel. When the readings have been made, HP 3852A subroutine CONVERT is called, the noise is averaged out of each reading, and the converted readings are returned to the controller and displayed.

For this program, SCDELAY and SPER parameters are based on the period of the noise (16.7 msec for 60 Hz), the number of measurements (scans) to be taken, and number of channels (10). The following equations show how to calculate the SPER and SCDELAY parameters so that noise rejection can occur on several channels within one cycle of the noise signal.

To determine the SCDELAY [*scan_pace*] and SPER values required to reject noise, use equation (1) to find the SCDELAY [*scan_pace*] parameter and then use equation (2) to find the SPER *sample_period* parameter.

$$SCDELAY [scan_pace] = \frac{Noise\ period}{Number\ of\ scan\ passes} \quad (1)$$

$$SPER\ sample_period = \frac{SCDELAY [scan_pace]}{Number\ of\ measurements} \quad (2)$$

For this program, the noise signal is assumed to be 60 Hz (period = 16.7 msec). The voltmeter is set for 10 prescans of 10 channels with 1 reading per channel. From equation (1), SCDELAY [*scan_pace*] = 16.7 msec/10 = 1.67 msec. Since 10 measurements are made per prescan, from equation (2) SPER = 1.67 msec/10 = 167 μ sec.

```

10                                     /
20                                     / Clear interface and reset HP 3852A
30                                     /
40 CLEAR 709                           / Clear interface
50 OUTPUT 709;"RST"                     / Reset HP 3852A
60                                     /
70                                     / Declare variables and arrays
80                                     /
90 DIM Average(0:9)                     / Declare controller array
100 OUTPUT 709;"INTEGER I,J,K"          / Declare For..Next variables
110 OUTPUT 709;"REAL SAMRDGS(99)"       / Declare mainframe array
120 OUTPUT 709;"REAL MIN,MAX,STD,MEAN" / Declare STAT variables
130 OUTPUT 709;"REAL STAT_ARY(9),AVG(9)" / Declare STAT arrays
140                                     /
150                                     / Set up voltmeter, transfer readings
160                                     /

```

```

170 OUTPUT 709;"USE 600"           ! Use voltmeter in MF slot 6
180 OUTPUT 709;"RST 600"          ! Reset voltmeter
190 OUTPUT 709;"SCANMODE ON"      ! Set Scanner Mode
200 OUTPUT 709;"CONF DCV"         ! Configure for DC voltage
210 OUTPUT 709;"SPER .000167"     ! 167 μsec between meas triggers
220 OUTPUT 709;"SCDELAY 0,.00167" ! 1.67 msec between scans
230 OUTPUT 709;"PRESCAN 10"       ! Set 10 prescans
240 OUTPUT 709;"CLWRITE 500-509"  ! Set ch 500-509 as scan list
250 OUTPUT 709;"SCTRIG INT"       ! Set internal scan trigger
260 OUTPUT 709;"XRDGS 600 INTO SAMRDGS"! Transfer rdgs to MF memory
270                                !
290 ! Averaging subroutine
300 OUTPUT 709;"SUB CONVERT"       ! Begin averaging subroutine
310 OUTPUT 709;" FOR J=0 TO 9"     ! Extract channel readings,
320 OUTPUT 709;" K=J"              ! average out noise on each ch
330 OUTPUT 709;" FOR I=0 TO 9"
340 OUTPUT 709;"STAT_ARRAY(I) = SAMRDGS(K)"
350 OUTPUT 709;"K=K+10"
360 OUTPUT 709;"NEXT I"
370 OUTPUT 709;"STAT MIN,MAX,MEAN,STD,STAT_ARY"
380 OUTPUT 709;"AVG(J) = MEAN"
390 OUTPUT 709;"NEXT J"
400 OUTPUT 709;"SUBEND"           ! End averaging subroutine
410 OUTPUT 709;"CALL CONVERT"     ! Call sub when rdgs available
420                                !
440 ! Transfer and display readings
450 OUTPUT 709;"VREAD AVG"        ! Return readings (without noise)
460 ENTER 709;Average(*)          ! Enter readings
470 PRINT Using "K,";Average(*)   ! Display readings
480 END

```

For a set of 9V 5% sources connected to channels 500 - 509, a typical return (values in volts) is:

8.9725	10 readings
9.005	
.	
.	
8.9925	

Scanner Mode Command Summary

Table 5-28 summarizes Scanner Mode commands alphabetically, divided by high-level and low-level commands. High-Level commands (CONF, CONFMEAS, MEAS and MONMEAS) perform a series of operations and (when scanning) provide additional measurement functions such as temperature or strain conversions. Low-level commands perform only simple operations such as changing ranges or transferring readings.

Table 5-28. Scanner Mode Command Summary

High-Level Commands

CONF *function* [USE *ch*]

Configure the voltmeter measurement function (DCV, OHMF, etc.) and preset values for other functions (autozero, range, etc.).

CONFMEAS *function ch_list* [NSCAN *number*][USE *ch*] [INTO *name*] or [*fmt*]

Configure the voltmeter function, scan, and measure. CONFMEAS is equivalent to CONF followed immediately by MEAS. CONFMEAS can only be used for multiplexer measurements. NSCAN *number* is valid only for mainframe firmware revision 2.2 and greater. For Scanner Mode, CONFMEAS is valid for ribbon cable (TERM RIBBON) operation only.

MEAS *function ch_list* [NSCAN *number*] [USE *ch*] [INTO *name*] or [*fmt*]

Set the voltmeter measurement function and initiate a scan and measurement of multiplexer channels specified by *ch_list*. NSCAN *number* is valid only for mainframe firmware revision 2.2 and greater.

MONMEAS *function ch_list* [USE *ch*]

Select voltmeter measurement function, scan, measure, and display. MONMEAS selects the voltmeter function, then causes the voltmeter to measure the first channel in the channel list and display the results on the display. The measurement sequence is advanced to the next channel in the list when the front panel SADV KEY key is pressed.

Low-Level Commands

ARMODE *mode* [USE *ch*]

When autoranging is set, ARMODE sets the autorange mode (BEFORE or AFTER). For ARMODE AFTER (power-on) the voltmeter autoranges after a trigger is received and then takes the reading for each measurement. For ARMODE BEFORE, the voltmeter makes the measurement when the trigger is received and autoranges on the next channel.

ASCAN [*mode*] [USE *ch*]

Sets autoscan function. ASCAN OFF requires a separate scan trigger for each pass through the scan list. ASCAN ON requires only an initial scan trigger for the first pass and subsequent passes start automatically.

AZERO [*mode*] [USE *ch*]

Autozero the voltmeter. AZERO ONCE is the only available mode for the voltmeter.

Table 5-28. Scanner Mode Command Summary

CAL

Service-related command. Refer to the HP 3852A Assembly Level Service Manual.

CHREAD *ch* [INTO *name*] or [*fmt*]

Transfer a single reading stored in the voltmeter data buffer to the mainframe memory or to the output buffer and/or display. The voltmeter must have been triggered and data must be available before CHREAD will return a reading.

CLWRITE [*ribbon_bus*] *ch_list* [RANGE *range_list*] [USE *ch*]

Sets channel and range lists to be scanned and used by the voltmeter. The *ribbon_bus* parameter specifies the ribbon cable connections: SENSE (default), COM, SEP, REFT, and STRVEX. (REFT and STRVEX are valid for mainframe firmware revision 2.2 and greater.)

RANGE *range_list* specifies the list of voltmeter ranges which correspond to the channels specified by *ch_list*. CLWRITE is valid only when Scanner Mode (SCANMODE ON) and ribbon cable (TERM RIBBON) operation are set. See Chapter 6 for details on CLWRITE when an HP 44704A is in 16 bit resolution mode.

DISABLE INTR [USE *ch*]

Prevents the voltmeter from generating an interrupt when data is available (as defined by RDGSMODE).

ENABLE INTR [USE *ch*]

Enables the voltmeter to generate an interrupt when data is available (as defined by RDGSMODE). The interrupt can be serviced and handled by the mainframe or serviced by the mainframe and handled by the controller.

FILTER *mode* [USE *ch*] (HP 44704A only)

Enables (*mode* ON), or disables (*mode* OFF) the HP 44704A's low-pass input filter.

FUNC *function* [*range*] [USE *ch*]

Sets the measurement function and range. The *function* parameter can be set only for DC voltage or 4-wire ohms measurements. The range parameter can be set to one of four ranges or to autorange (AUTO). See Chapter 6 for controlling range while in 16 bit resolution mode (HP 44704A only).

ID? [*slot*]

Returns the identity of the accessory in the slot addressed by *slot*. An HP 44702A returns 44702A, an HP 44702B returns 44702B, and an hp 44704A returns 44704A.

INTR? [INTO *name*] or [*fmt*]

Returns the address of the last channel whose interrupt was serviced. If no interrupt has been serviced since power-on or following a system reset, -1 is returned.

Table 5-28. Scanner Mode Command Summary

NRDGS *number* [USE *ch*]

Sets the number of readings per channel for each channel in the channel list. The range of *number* is 1 to 65,535. For the HP 44702A, setting NRDGS 8192 can cause a variable number of readings to be taken with no error given. For ribbon cable operation (TERM RIBBON), range for *number* = (number of channels - 1) times (NRDGS *number*)

PERC *threshold* [USE *ch*]

For SCTRIG MEAS, PERC sets the threshold level for the scan trigger and for STTRIG MEAS, PERC sets the threshold level for the stop trigger (separate levels cannot be set for the scan and stop triggers). The threshold parameter range is -128% to +127% of the voltmeter full-scale range.

POSTSCAN *number* [USE *ch*]

Sets the number of passes the voltmeter will make through the scan list after the stop trigger is accepted. Range of *number* = 0 to 65,535. At power-on, *number* = 0.

PRESCAN *number* [USE *ch*]

Sets the minimum number of passes the voltmeter will make through the scan list before a stop trigger is accepted. Range of *number* = 0 to 65,535. At power-on, *number* = 0.

RANGE [*range*] [USE *ch*]

Sets the voltmeter measurement range or enables the autorange mode. Select autorange by entering the word AUTO or the value 0 for *range*. Power-on and default range = AUTO. See Chapter 6 for controlling range while in 16 bit resolution mode (HP 44704A only).

RDGS *dest* [USE *ch*]

Sets the mainframe or the GPIO port as the destination for readings stored in the voltmeter buffer memory. RDGS SYS sets the mainframe, RDGS GPIO sets the GPIO port.

RDGSMODE *mode* [USE *ch*]

Sets the voltmeter reading storage mode and specifies when data can be read from the voltmeter buffer (data available). Also specifies whether or not data in the memory will be overwritten by new data. *modes* are DAV, BURST, END, and COMPLETE.

RESOL *resolution* (HP 44704A only)

Sets HP 44704A resolution. *resolution* can be 13, 14, or 16. For RESOL 16, the voltmeter must not be in autorange mode or an error will be generated. See Chapter 6 for details on 16 bit resolution mode.

SADV *source*

When MEAS is used, sets the source to advance the scan sequence as defined by *source*. Valid sources are SCAN, CHADV, KEY, and PACER.

Table 5-28. Scanner Mode Command Summary

SCANMODE *mode* [USE *ch*]

Sets the voltmeter operating mode. SCANMODE ON sets Scanner Mode operation. The SCANMODE setting is not changed by the high-level commands. For Scanner Mode, when TERM RIBBON is set scanning is under control of the voltmeter through the dedicated ribbon cable. When TERM INT, EXT, or ZERO is set, scanning is under control of the mainframe.

SCDELAY *trig_delay* [*scan_pace*] [USE *ch*]

Sets the delay time between the scan trigger and when the first measurement can be triggered and sets the time between successive scan triggers. SCDELAY *trig_delay* sets the delay time between the scan trigger and when the first measurement can be triggered. Range of *trig_delay* = 0 to 0.01638375 seconds, with power-on value = 0 sec.

SCDELAY [*scan_pace*] is valid only when SCTRIG INT is set. *scan-pace* sets the time between successive scan triggers. Range of *scan_pace* = 0 to 1073.74182375 seconds, with power-on value = 0.002 seconds.

SCSLOPE *mode* [USE *ch*]

When SCTRIG EXT0, EXT1, MEAS, or GPIO is set, SCSLOPE sets the edge of the scan trigger (LH or HL) which will trigger the voltmeter. Power-on *mode* = LH.

SCTRIG [*source*] [USE *ch*]

Specifies the source for the scan trigger. Power-on *source* = HOLD and default *source* = SGL.

SLOPE *mode* [USE *ch*]

For TRIG EXT0, EXT1, MEAS, or GPIO, SLOPE sets the edge (LH or HL) of the input which will generate a measure trigger.

SPER *sample_period* [USE *ch*]

When TRIG INT is set, SPER sets the time between successive measure triggers (sample period). Range for *sample_period* = 0 to 1073.74182375 seconds. (*sample_period* settings from 0 to 10 μ sec are rounded to 10 μ sec.) At power-on, *sample_period* = 10 μ sec.

STRIG *source*

When MEAS is used, sets the source to start the scan sequence as defined by *source*. Valid sources are SCAN, CHADV, KEY, and PACER.

STSLOPE *mode* [USE *ch*]

For STTRIG EXT0, EXT1, MEAS, and GPIO, sets the edge (LH or HL) of the input which will generate a stop trigger. Power-on *mode* = LH.

STTRIG [*source*] [USE *ch*]

Specifies the stop trigger source. Power-on *source* = INT and default *source* = SGL.

TERM *terminal* [USE *ch*]

Selects the voltmeter input terminals. TERM INT selects the mainframe backplane, TERM EXT selects the rear panel terminals, TERM RIBBON selects the ribbon cable, and TERM ZERO selects an internal zero volt reference.

Table 5-28. Scanner Mode Command Summary

TRIG [source] [USE ch]

Sets the source or mode for the measure trigger. The power-on *source* is HOLD (no trigger) and the default *source* is SGL (single trigger from source). TRIG MEAS is not valid for Scanner Mode.

TRIGOUT [mode] [USE ch]

Sets whether EXT0 will output triggers or be enabled to receive triggers. With TRIGOUT OFF, EXT0 can receive triggers. With TRIGOUT ON, EXT0 outputs measurement triggers.

USE ch

Specifies the slot to be used for voltmeter commands.

USE? [INTO name] or [fmt]

Returns the current USEd channel (or slot) address last set by the USE command.

XRDGS ch [number] [INTO name] or [fmt]

Transfers the number of readings specified by *number* from the voltmeter buffer to the mainframe memory (if INTO name is specified), or to the output buffer and/or display (if INTO name is not specified). Default *number* = 1.

Chapter 6
The HP 44704A in 16 Bit Mode

Contents

Introduction6-1
Chapter Contents6-1
The 16 Bit Data Format6-1
Controlling Voltmeter Ranges6-1
Changing Ranges6-3
Managing Range Information6-3
System Mode and Range6-4
Readings Unpacked in the Mainframe6-4
Scanner Mode and Range6-5
Correcting Readings made with CLWRITE6-5
Unpacking Readings in Your Controller6-7
16 Bit Unpacking Function6-9
Entering 16 Bit Resolution Mode6-10

The HP 44704A in 16 Bit Mode

Introduction

This chapter explains how the HP 44704A's 16 bit resolution mode differs from operations explained in Chapters 4 and 5. You should be familiar with subjects covered in Chapters 4 and 5 before reading this chapter.

Chapter Contents

This chapter has four sections:

- **Introduction** provides a chapter overview and summarizes chapter contents.
- **The 16 Bit Data Format** shows why the measurement data format in the voltmeter buffer forces the use of manual range control.
- **Controlling Voltmeter Ranges** explains how voltmeter ranges are set in the absence of auto-ranging.
- **Managing Range Information** shows when and how the voltmeter can determine reading range status, and when and how your program will have to keep track of measurement range.

The 16 Bit Data Format

The HP 44704A has 16 bit wide reading storage memory (Data Buffer). In 13 or 14 bit resolution modes, the 16 bit data width provides room in each reading for two bits of range information. These bits indicate which range was used to make the reading. In 16 bit resolution mode (RESOL 16), all bits are used to store the A/D converter's output value. No space is available to store range information. To be able to keep track of the range at which multiple, buffered readings were made, the voltmeter must not auto-range. Because of this, the HP 44704A's 16 bit resolution mode operates in manual range only (set with RANGE). See Figure 6-1 for the three measurement data formats.

Controlling Voltmeter Ranges

Since the 16 bit resolution mode doesn't use auto-ranging, the high level voltmeter configuration commands CONF, CONFMEAS, and MONMEAS

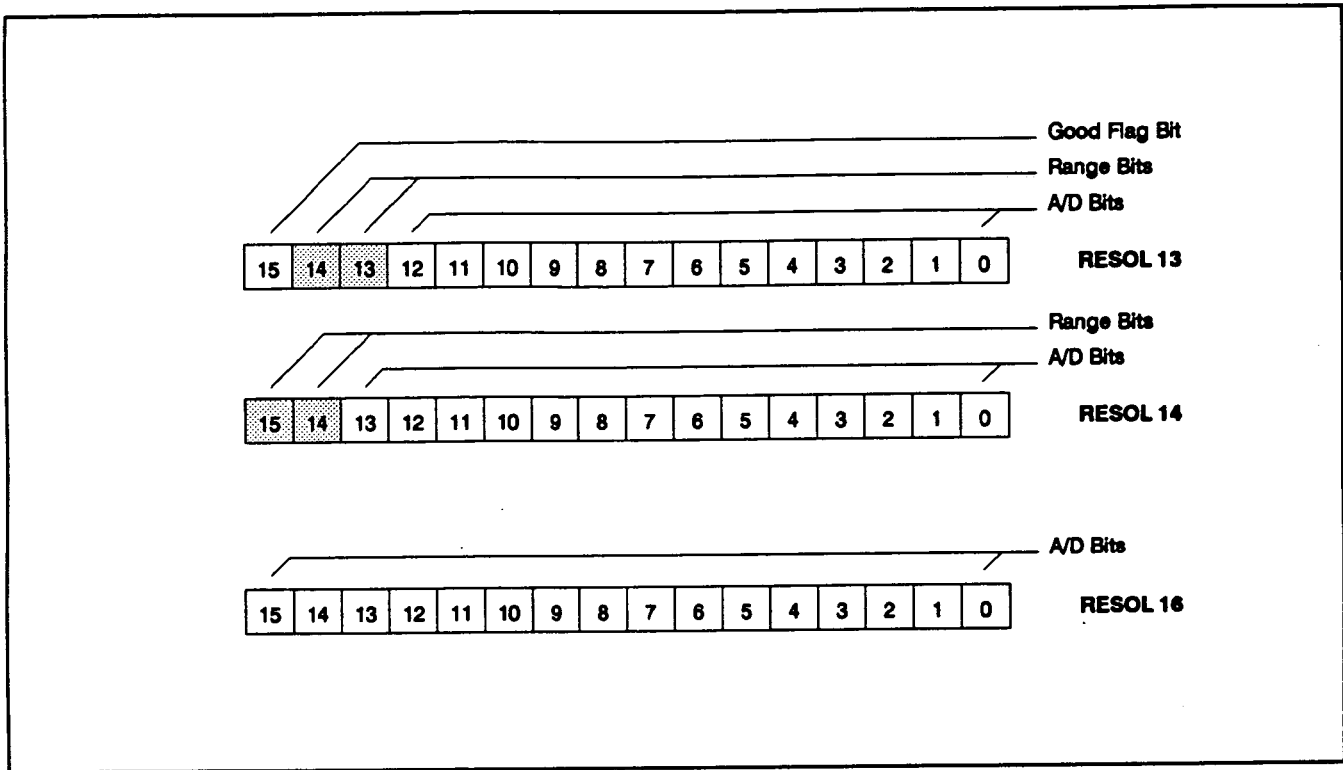


Figure 6-1. The Three Measurement Data Formats

select preset ranges based on the voltmeter function chosen. Table 6-1 shows the function/range relationship.

Table 6-1. CONF, CONFMEAS, and MONMEAS Range Presets

Function:	Measure:	Configure for:	Preset Range:
DCV	Voltage	DC Voltage	10.24V
OHM(F)	Resistance	2 or 4-Wire Ohms	100 K Ω
OHM(F)10K	"	"	10.24 K Ω
OHM(F)100K	"	"	102.4 K Ω
OHM(F)1M	"	"	1.024 M Ω
TEMPtype	Thermocouples	DC Voltage	320 mV
REFT	Reference Temperature	Ohms	25.6 K Ω
THM(F)type	Thermistors (2252 & 5K)	2 or 4-Wire Ohms	10.24 K Ω [1]
"	Thermistors (10K)	"	102.4 K Ω [1]
RTD(F)type	RTDs	"	320 Ω
STRVEX	Strain Bridge Excitation	DC Voltage	10.24 V
STRUN	Bridge Unstrained	"	320 mV
STRQ	Quarter Bridge	"	"
STRFB	Full Bridge	"	"
STRHB	Half Bridge	"	"
STRQTEN	Quarter Bridge in Tension	"	"
STRQCOMP	Quarter Bridge in Compression	"	"
STRHP	Half Bridge Poisson	"	"
STRFBP	Full Bridge Bending Poisson	"	"
STRFP	Full Bridge Poisson	"	"

Notes:
 [1] = For thermistor measurements, the default range chosen gives good resolution at moderate temperatures. For temperatures nearer the thermistor's limits, you may need to change to a more appropriate range (use CONF then RANGE then MEAS).

Changing Ranges

Since CONFMEAS, and MONMEAS perform voltmeter configuration *and* initiate the measurement cycle, there is no opportunity to change the preset range. See "Measurements Using CONFMEAS" in Chapters 4 and 5 for more information.

CONF selects the same preset ranges as CONFMEAS, and MONMEAS but since CONF *doesn't* initiate a measurement cycle, you can use the RANGE command to change the preset range before executing the MEAS command. See "Measurements Using CONF and MEAS" in Chapters 4 and 5 for more information.

Managing Range Information

All measurements made with the HP High Speed Voltmeters result in integer binary (packed) values being created in the voltmeter's reading buffer. Except when PACKED format is specified, values transferred to the Mainframe's output buffer, or to a Mainframe array (using CONFMEAS, MEAS, CHREAD, or XRDGS) are "unpacked" or converted into a voltage, resistance, temperature, or strain value. When measurements are made in the 13 bit (HP 44702A/B and HP 44704A) or 14 bit resolution mode (HP 44704A

only), the range information is imbedded in the packed readings. The Mainframe uses this information when unpacking these readings. When measurements are made in the 16 bit resolution mode, as mentioned above, range information is *not* part of the packed reading. In this case, the mainframe will use methods discussed in the next two sections to determine the range for unpacking these readings.

The same is true when you unpack readings in your controller which are transferred in PACKED format. The 16 bit resolution readings *do not* contain range information so your application program will have to keep track of the range setting used when the readings were taken.

The following sections discuss managing 16 bit resolution range information for both System Mode measurements (fundamentals in Chapter 4), and Scanner Mode measurements (fundamentals in Chapter 5).

System Mode and Range

When measurements are made in System Mode (SCANMODE OFF), all measurements are made on a fixed range. This is true whether a single reading, multiple readings of a single input (back panel or single multiplexer channel), or readings from several multiplexer channels are made. Once the measurement cycle begins, the range used is that set by RANGE, or the preset selected by CONF or CONFMEAS.

Readings Unpacked in the Mainframe

As the readings are transferred to the Mainframe (except when using PACKED format), they are unpacked using the currently set range. Other than having to control the voltmeter range manually (using the RANGE command), System Mode measurements at 16 bit resolution are executed exactly as they are explained in Chapter 4.

Example: Changing Preset Voltmeter Ranges (RANGE)

This program uses the RANGE command to modify the preset range set by CONF (refer to Table 4-5). RANGE 2 sets the voltmeter to the 2.56V range for each voltage channel measured. RANGE 1000 sets the voltmeter to the 2.56 K Ω range for each resistance channel.

```
10 DIM Volts(0:4),Ohms(0:7)           / Dimension controller array
20 OUTPUT 709;"USE 600"               / Use voltmeter in mainframe slot 6
30 OUTPUT 709;"RST 600"              /Reset voltmeter
40 OUTPUT 709;"RANGE 10"             /Set manual range so can set
50 OUTPUT 709;"RESOL 16"            /the 16 bit resolution mode
60 OUTPUT 709;"CONF DCV"            / Set DC volts
70 OUTPUT 709;"RANGE 1"             / Change to 2.56V range
80 OUTPUT 709;"MEAS DCV,500-504"     / Measure channels 500-504
90 ENTER 709;Volts(*)               / Enter 5 voltage readings
100 OUTPUT 709;"CONF OHMF10K"        / Presets ohms 10K range
110 OUTPUT 709;"RANGE 1000"         / Change to 2.56K range
120 OUTPUT 709;"MEAS OHM10K,505-512" / Measure channels 505-512
```



```

130 ENTER 709;Ohms(*)           / Enter 8 resistance readings
140 PRINT USING "K,/";Volts(*),Ohms(*) / Display 13 readings
150 END

```

For a set of 5, 1V and 8, 1KΩ measurements, typical return values are:

```

.9975375
.
.
.
1.001375
993.8125
.
.
.
1003.125

```

5 voltage readings

8 resistance readings

Scanner Mode and Range

In Scanner Mode (SCANMODE ON), you can specify a channel list using the CONFMEAS, MEAS, and MONMEAS commands. All channels specified by these commands will be measured using a single range (whether preset, or set by RANGE). When transferred, the readings will be unpacked using the current RANGE setting. So far, this is the same as in System Mode. But in Scanner Mode there is an additional way to specify a channel list. By using the "channel list write" command:

```
CLWRITE [ribbon_bus] ch_list [RANGE range_list] [USE ch]
```

you can specify a range (RANGE *range_list*) to be used for each channel in the channel list (*ch_list*). In fact, if you execute the CLWRITE *ch_list* command, a range list is created even if you don't specify one. This default range has an entry for each channel specified by *ch_list* and each entry is set to the current RANGE setting.

Correcting Readings made with CLWRITE

To allow high speed reading rates, the CLWRITE's *ch_list* and *range_list* values are stored within the voltmeter's memory rather than the Mainframe's memory. Since the Mainframe can't access this memory, and since 16 bit resolution readings do not contain range information, the mainframe always unpacks 16 bit resolution readings made with CLWRITE as if they were made on the highest range. For the DCV and OHM functions the assumed ranges are:

Function:	Assumed Range
DCV	10.24 V
OHM(F)	102.4 KΩ
OHM(F)10K	10.24 KΩ
OHM(F)100K	102.4 KΩ
OHM(F)1M	1.024 MΩ

This means that each measurement taken on a channel whose range list entry is set to other than the highest range will need to be corrected. For example, if we execute CLWRITE with the range entry for channel 1 set to the 2.56 volt range, apply 1 volt to channel 1 and initiate a measurement cycle. The returned value will be 4 volts because the actual range setting was 2.56 while the Mainframe unpacked the reading assuming the 10.24 volt range, a factor of four higher. The returned value in this example needs to be multiplied by a factor of 1/4.

Table 6-2 lists the correction factors for each function and range combination. Your application program will have to maintain the range values it sends with CLWRITE in order to select the correction factor to apply to the returned readings.

Table 6-2. Correction Factors for CLWRITE

⁽¹⁾ For This Function	⁽²⁾ If CLWRITE <i>Range_list</i> Entry Selects This Range:			
DCV	10.24 V	2.56 V	320 mV	40 mV
OHM(F)10K	10.24 KΩ	2.56 KΩ	320 W	40 Ω
OHM(F) and OHM(F)100K	102.4 KΩ	25.6 KΩ	3.2 KΩ	400 W
OHM(F)1M	1.024 MΩ	256 KΩ	32 KΩ	4 KΩ
⁽³⁾ Use Correction Factor	(none)	1/4	1/32	1/256

NOTE

Strain and temperature measurements should not be performed using CLWRITE in 16 bit resolution mode. Their measurement conversions involve non-linear functions. Simply trying to apply a correction factor to these returned values will introduce significant errors.

Instead, make voltage or resistance measurements of these transducers. Transfer the readings to a mainframe array. Apply the correction factor(s) to the array values. Then convert the corrected values to strain or temperature using the COMPEN command (mainframe firmware revision 3.5 and greater).

Example: Correcting Readings Made With CLWRITE

CLWRITE sets channel lists, voltmeter ranges and ribbon cable connections for Scanner Mode ribbon cable measurements. This program uses CLWRITE to set channels 500 through 509 as the scan list and set the 2.56V range for measurement on each channel. The program takes one measurement on each channel for a total of ten measurements.

After the measurements have been made and returned to the controller, they are corrected for display.

```
10 DIM A(0:9) ! Define controller array
20 OUTPUT 709;"USE 600" ! Use voltmeter in mainframe slot 6
30 OUTPUT 709;"RST 600" ! Reset voltmeter
40 OUTPUT 709;"RANGE 2" ! Set manual range for RESOL 16
50 OUTPUT 709;"RESOL 16" ! Set 16 bit resolution
60 OUTPUT 709;"SCANMODE ON" ! Set Scanner Mode
70 OUTPUT 709;"CONF DCV" ! Configure for DC volts
80 OUTPUT 709;"CLWRITE 500-509,RANGE 2" ! Set scan list and range
90 OUTPUT 709;"SCTRIG INT" ! Trigger the voltmeter
100 OUTPUT 709;"XRDGS 600" ! Read 10 readings
110 ENTER 709;A(*) ! Enter 10 readings
120 MAT A = A/(4) ! Correct each reading in array A
130 PRINT USING "K,/";A(*) ! Display 10 corrected readings
100 END
```

For a set of 2 V 5% sources connected to channels 500 through 509, a typical return (values in volts) is:

1.98945325, 2.02265625, ... 1.98253476

Unpacking Readings in Your Controller

When you transfer PACKED readings to your controller for unpacking, no correction factor needs to be applied to these values, but your application program will have to maintain the CLWRITE range list values to use while unpacking the readings.

Example: Unpacking Readings in the Controller Made With CLWRITE

This program makes measurements at 80,000 readings/second, transfers the readings to the controller at approximately 35,000 readings per second, and unpacks the readings in the controller. The example includes the unpacking function for 16 bit resolution (RESOL 16) readings.

The program makes 25 measurements (5 readings on each of 5 channels) and stores them in mainframe array PARR in PACKED format. The readings are transferred to the output buffer with the VREAD command and then

transferred to the controller with the TRANSFER statement. The packed readings are then unpacked by the controller. Since packed DC voltage readings have a 2 bytes/reading format, PARR must be defined for 50 bytes.

Since SPER is set for 12.5 μ sec, measurements are taken at 12.5 μ sec intervals. SCDELAY 0 sets 0 sec scan trigger delay. Note that the front panel display is turned off with DISP OFF. This is very important for high-speed scans as it greatly improves system performance.

```

30 ! Define I/O paths, buffer, array
40 OPTION BASE 0                ! Set option base 0
50 INTEGER Bdata(1:25) BUFFER    ! Define controller buffer
60 ASSIGN @Dac to 709           ! HP 3852A I/O address
70 ASSIGN @Hp_3852 TO 709;FORMAT OFF ! Set up HP-IB path
80 ASSIGN @Bdata to BUFFER Bdata(*);FORMAT OFF ! Controller buffer path
90 OUTPUT @Dac;"PACKED PARR(49)" ! HP 3852A packed array
100                               !
110 ! Set up voltmeter and transfer data
120 OUTPUT @Dac;"USE 600"        ! Use voltmeter in MF slot 6
130 OUTPUT @Dac;"RANGE 2"       ! Set man range for RESOL cmd
140 OUTPUT @Dac;"RESOL 16"      ! Set 16 bit resolution mode
150 OUTPUT @Dac;"DISP OFF"      ! Mainframe display off
160 OUTPUT @Dac;"SCANMODE ON"   ! Set Scanner Mode
170 OUTPUT @Dac;"CONF DCV"      ! Configure for DC volts
180 OUTPUT @Dac;"NRDGS 5"       ! Set 5 readings/channel
190 OUTPUT @Dac;"SPER 12.5E-6"  ! Set 12.5  $\mu$ sec between meas
200 OUTPUT @Dac;"SCDELAY 0"     ! Set 0 msec scan trig delay
210 OUTPUT @Dac;"CLWRITE 500-504,RANGE 2"! Set ch 500-504 as scan list, 2.56 V
                                     range
220 OUTPUT @Dac;"ASCAN ON"      ! Single scan trigger required
230 OUTPUT @Dac;"SCTRIG SGL"    ! Single scan trigger
240 OUTPUT @Dac;"XRDGS 600,25 INTO PARR"! Transfer rdgs to mainframe
250 OUTPUT @Dac;"VREAD PARR,PACK" ! Transfer rdgs to output buffer
260 TRANSFER @Hp_3852 TO @Bdata;END,WAIT ! Transfer rdgs to controller
270                               !
280 ! Unpack PACKED data
290 FOR I=1 TO 25
300 PRINT FNUnpk16(Bdata(I),0,2) ! Unpack rdgs (pass DCV func code,
                                     2.56V range code)
310 NEXT I
320 END

```

The following example describes the 16 bit unpacking function for this example.

16 Bit Unpacking Function

The following example shows an HP BASIC function which unpacks 16 bit resolution readings, given the reading, a function code, and a range code. This example can be used as part of the previous example. The formula used in this example program is:

$$\frac{16 \text{ bit two's compliment } A \text{ to } D \text{ Value}}{3200 * (f_range)} * (f_func)$$

Where: f_range, and f_func are:

Functions	Func_code	f_func	Ranges			
			40 mV	320 mV	2.56 V	10.24 V
DCV	0	1	40 W	320 W	2.56 KΩ	10.24 KW
OHM(F)10K	1	1E3	400 W	3.2 KW	25.6 KW	102.4 KΩ
OHM(F)100K	2	1E4	4 KW	32 KW	256 KW	1.024 MΩ
OHM(F)1M	3	1E5				
f_range			256	32	4	1
Range_code			0	1	2	3

Example: 16 Bit Unpacking Function

Choose Func_code, and Range code from the table above

```

330 DEF FNUnpk16(INTEGER Bdata,Func_code,Range_code)
340 REAL R(0:3) ! Array holds "f_range"
350 DATA 256.,32.,4.,1. ! Code: 0=40mV, 1=320mV,
2=2.56V, 3=10.24V

360 READ R(*)
370 REAL F(0:3) ! Array holds "f_func"
380 DATA 1.,1.E3,1.E4,1.E5 ! Code: 0=DCV, 1=OHM10K,
2=OHM100K, 3=OHM1M

390 READ F(*)
400 IF Bdata = 32767 OR Bdata = -32768 THEN ! If max + or max - then
410 Result = 1.E + 38 ! Return overload indication
420 ELSE
430 Result = Bdata/(3200*R(Range_code))*F(Func_code),  $\frac{A \text{ to } D \text{ Value}}{3200 (f\_range)} (f\_func)$ 
440 END IF
450 RETURN Result
460 FNEND ! End 16 bit unpack function

```

Entering 16 Bit Resolution Mode

The HP 44704A can not be in auto-range mode when entering the 16 bit resolution mode. If a manual range has not been selected since a RST command was executed, the RESOL 16 command will generate an error. To properly enter the 16 bit resolution mode, execute RANGE range, then execute RESOL 16.

Example: Entering 16 Bit Resolution Mode

```
.  
. .  
. .  
20 OUTPUT 709;"USE 600"           ! Use voltmeter in mainframe slot 6  
30 OUTPUT 709;"RST 600"          ! Reset voltmeter (sets 13 Bit Mode)  
40 OUTPUT 709;"RANGE 10"        ! Set any manual range to  
50 OUTPUT 709;"RESOL 16"        ! allow RESOL 16 to work  
60 OUTPUT 709;"CONF DCV"        ! Set DC volts (presets 10.24V range)  
70 OUTPUT 709;"RANGE 1"        ! Select measurement range  
80 OUTPUT 709;"MEAS DCV,500-504" ! Measure channels 500-504  
. .  
. .  
. .
```

Chapter 7

GPIO Operation

Contents

Introduction7-1
The GPIO Interface7-1
GPIO Interface Signals7-2
GPIO Signal Timing7-3
GPIO Interface Switches7-3
GPIO Programming7-4
GPIO Data Transfers7-5
GPIO Triggering7-9
GPIO Interrupts7-10
Programming Examples7-10
Example: GPIO Operations7-11
Example: Transfer Data @ 100 kHz7-15

GPIO Operation

Introduction

This chapter shows how to use the HP 98622A General-Purpose Input/Output Interface (GPIO Interface) with an HP Series 200/300 controller for data transfer and operation with the HP 44702A/B or HP 44704A voltmeter. The voltmeter is set for Scanner Mode ribbon cable operation with RDGS GPIO set.

NOTE

You should be familiar with the HP High-Speed voltmeter in Scanner Mode operation before using GPIO operation. Refer to Chapter 5 - Scanner Mode Programming for details on Scanner Mode operation.

The chapter contains three sections:

- **The GPIO Interface** summarizes GPIO signals, shows how to set the Option Select Switches and Data In Clock Source Switches, and summarizes input/output timing requirements for GPIO operation.
- **GPIO Programming** summarizes programming the voltmeter over GPIO for data transfers, triggering, and interrupts.
- **Programming Examples** shows example programs to use the GPIO Interface for data transfers, triggering, and interrupts.

The GPIO Interface

This section describes GPIO interface signals for the HP 44702A/B and HP 44704A voltmeter, shows how to set the Option Select and Data In Clock Source switches, and summarizes input/output timing diagrams for GPIO operation. The descriptions assume an HP Series 200/300 controller (called the GPIO controller) or equivalent is used.

GPIO Interface Signals

Figure 7-1 shows the GPIO signals which apply to the voltmeter and Table 7-1 defines the signals. It is assumed that the HP High-Speed voltmeter is the peripheral and the GPIO controller is at the other end of the bus. Signals and the direction of propagation are defined relative to the controller.

Table 7-1. GPIO Signal Definitions

Conn	Name	Description
DO00 - DO15	Data Output Bus	16 lines driven by the GPIO controller which contain valid data during WRITE operations.
DI00 - DI15	Data Input Bus	16 lines driven by the voltmeter which contain valid data during READ operations.
$\overline{\text{PCTL}}$	Peripheral Control	Driven by the GPIO controller and initiates a transfer on its falling edge. Acknowledges the peripheral's response by returning high.
PFLG	Peripheral Flag	Driven by the voltmeter. Indicates when data is valid during READ operations and when data is accepted during WRITE operations.
$\overline{\text{I/O}}$	Input/Output Control	Driven by the GPIO controller and indicates data direction relative to the controller. A high indicates the GPIO controller is ready to receive data.
$\overline{\text{PSTS}}$	Peripheral Status	Driven by the voltmeter. Indicates to the GPIO controller that the GPIO cable is connected and the voltmeter is powered up.
$\overline{\text{PRST}}$	Peripheral Reset	Forces an unconditional reset to power-on conditions in the voltmeter. Since HP Series 200/300 controllers generate a Peripheral Reset on power-on (and other times), the voltmeter has a jumper installed to disable the Peripheral Reset. As desired, the user can remove this jumper to enable the reset (see Figure 7-2 for JM06 location).
$\overline{\text{EIR}}$	External Interrupt	Driven by the voltmeter. Can be used to interrupt the GPIO controller when user defined conditions occur. This signal can be disabled. Also, for operation with an HP 1000 or equivalent, the EIR line can be inverted by removing jumper JM07 (see Figure 7-2 for JM07 location).
$\overline{\text{CTL0}}$	Control (Data/Address)	Driven by the GPIO controller and used by the voltmeter to determine if information being sent is address or data. Logical "1" (low voltage level) indicates the information is an address, logical "0" indicates the information is data.
$\overline{\text{CTL1}}$	Control (Trigger)	Driven by the GPIO controller and is used as a trigger source to the voltmeter.
$\overline{\text{STI0}}$ and $\overline{\text{STI1}}$	Status	Driven by the voltmeter. Both lines are always active. A logical "1" on the STI0 line indicates an End of Scan service request. A logical "1" on the STI1 line indicates a Measurement Available service request [1]. The user may read these lines at any time to determine their status or may wait for the EIR (external interrupt) signal and then determine the cause of the interrupt by checking the status of these lines.

Notes:

[1] = An End of Scan service request is generated when RDGSMODE END or RDGSMODE COMPLETE is set and the scan sequence ends. A Measurement Available service request is generated when RDGSMODE DAV or RDGSMODE BURST is set and a measurement is available.

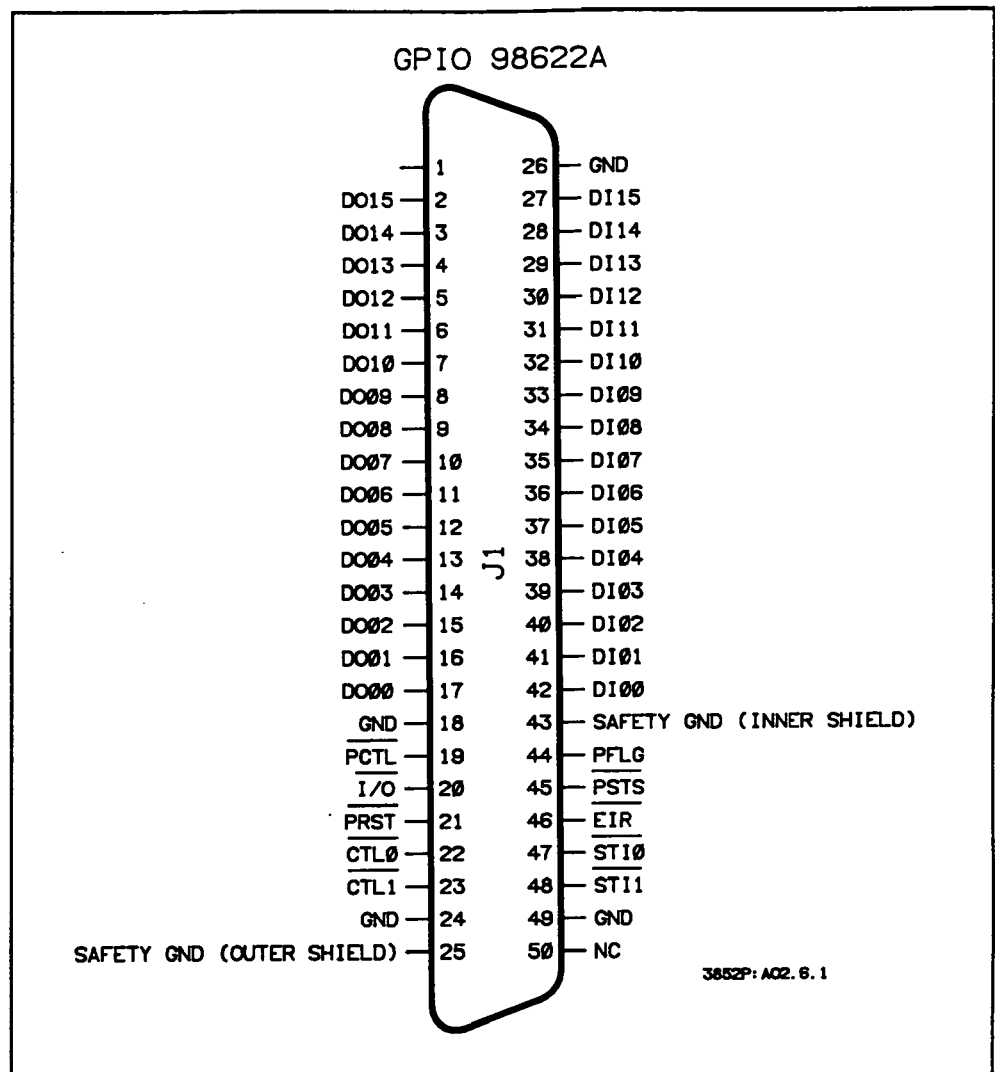


Figure 7-1. GPIO Signals

GPIO Signal Timing

Figure 7-3 shows GPIO signal timing for input and output signals when Full Mode Handshake Mode is set.

GPIO Interface Switches

The HP 98622A (GPIO) Interface Card has four switches which can be set for desired operation: Interface Select Code, Interrupt Level, Data-In Clock Source, and Option Select. Figure 7-4 shows switch locations and shows the Options Select and Data In Clock Source Switch settings required for GPIO operation with the HP 44702A/B or HP 44704A voltmeter.

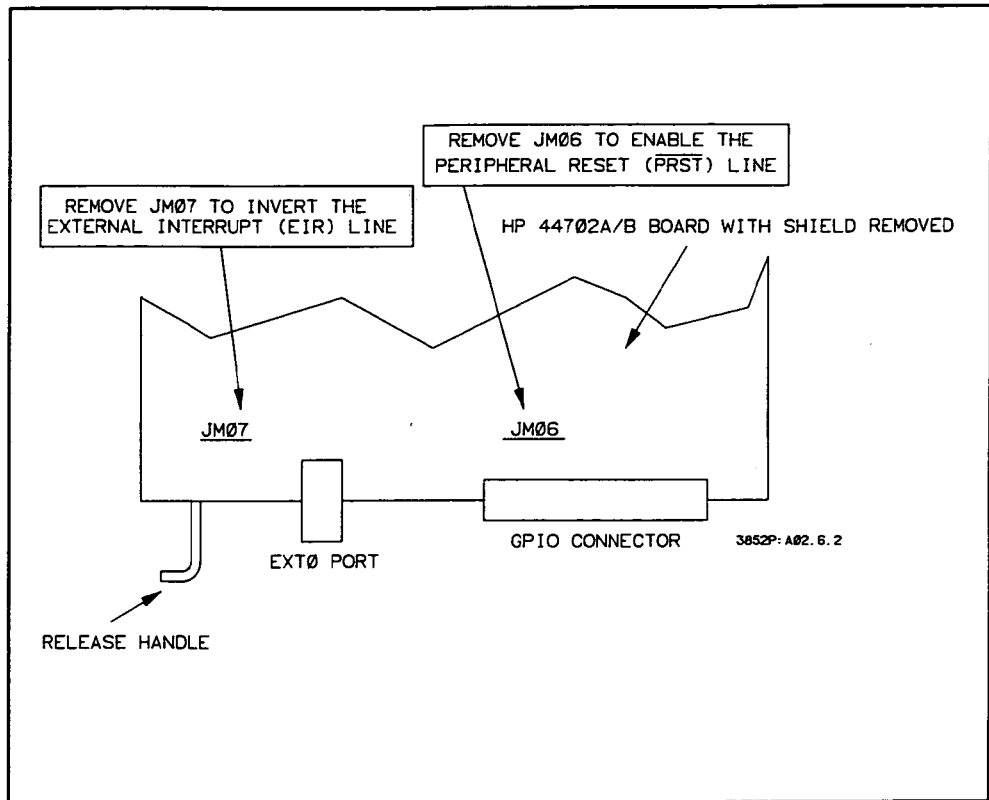


Figure 7-2. Peripheral Reset Jumper Location

When you have configured the GPIO Interface Card, install the card in the controller and connect the GPIO Interface cable to the card. Then, connect the other (male) end of the cable to the standard 50-pin female connector on the voltmeter rear panel.

GPIO Programming

This section gives guidelines to program the voltmeter for GPIO operation, including data transfers, voltmeter triggering, and enabling interrupts. Refer to Chapter 8 - Using Read/Write Registers as required for definitions of voltmeter registers. For convenience, Figure 7-5 shows the HP Series 200/300 Control and Interrupt Registers used with the HP 44702A/B or HP 44704A voltmeter.

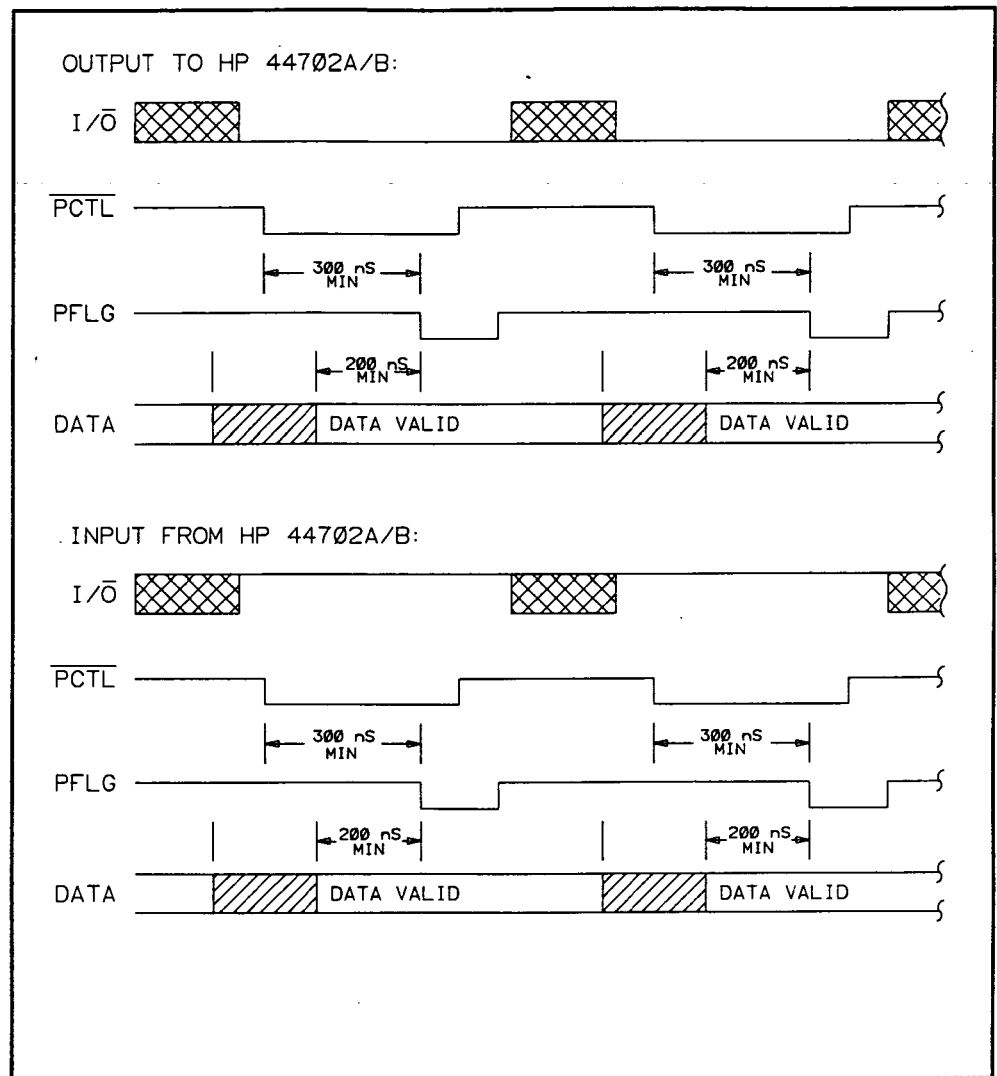
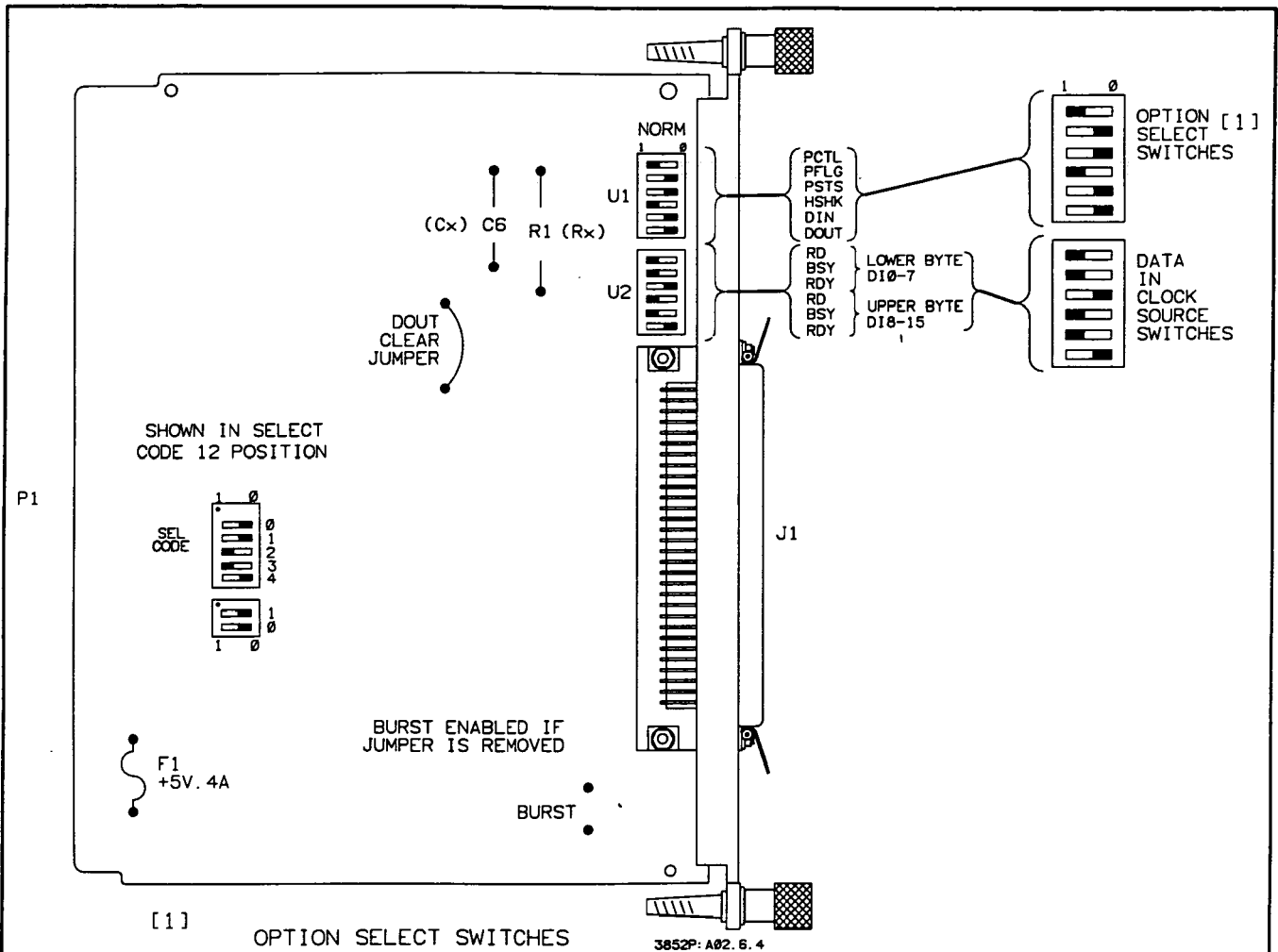


Figure 7-3. GPIO Signal Timing

GPIO Data Transfers

With GPIO operations, you can transfer readings directly from the voltmeter data buffer to the controller at rates up to 100,000 readings per second. Figure 7-6 shows typical physical configuration required for 100,000 readings per second transfer rates. (The Disc Interface and Disc Drives shown are not required unless you want to store data on hard disc.)



Switch Position Name	DOUT	DIN	HSHK	PSTS	PFLG	PCTL
Function	Invert Data Out	Invert Data In	Full/Pulse Handshake	Invert PSTS	Invert PFLG	Invert PCTL
Logic 1 (Switch Open)	Low = 1 High = 0	Low = 1 High = 0	Full	Low = $\overline{\text{OK}}$ High = OK	Low = Rdy High = Bsy	Low = Set High = Clr
Logic 0 (Switch Closed)	Low = 0 High = 1	Low = 0 High = 1	Pulse	Low = OK High = $\overline{\text{OK}}$	Low = Bsy High = Rdy	Low = Clr High = Set

Shaded block shows settings for operation with HP 44702A/B

Figure 7-4. HP 98622A GPIO Interface Card Switches

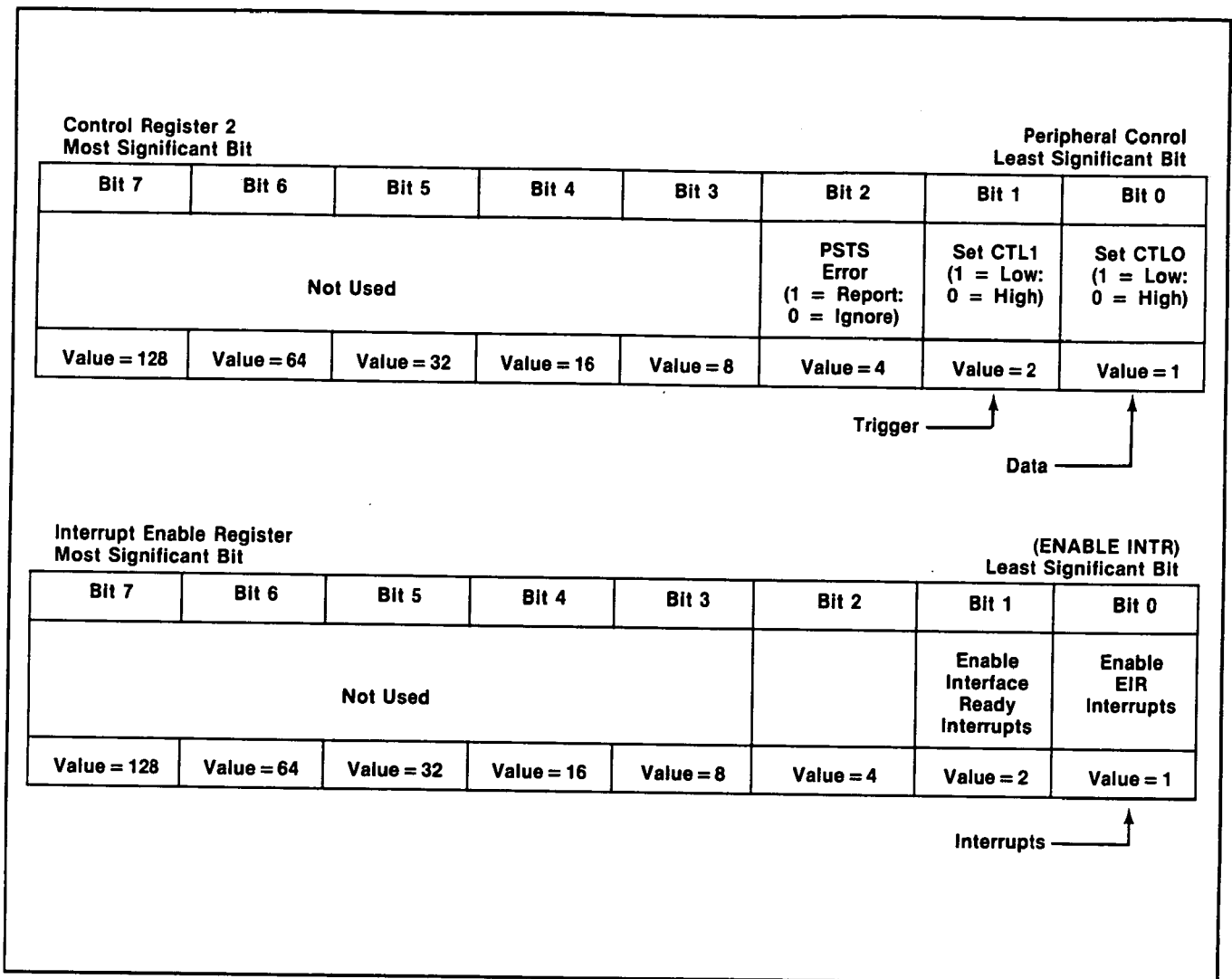


Figure 7-5. GPIO Control and Interrupt Registers

To transfer data via GPIO, RDGS GPIO must be set and CONTROL and ENTER statements from an HP Series 200/300 controller are used to transfer the data over GPIO.

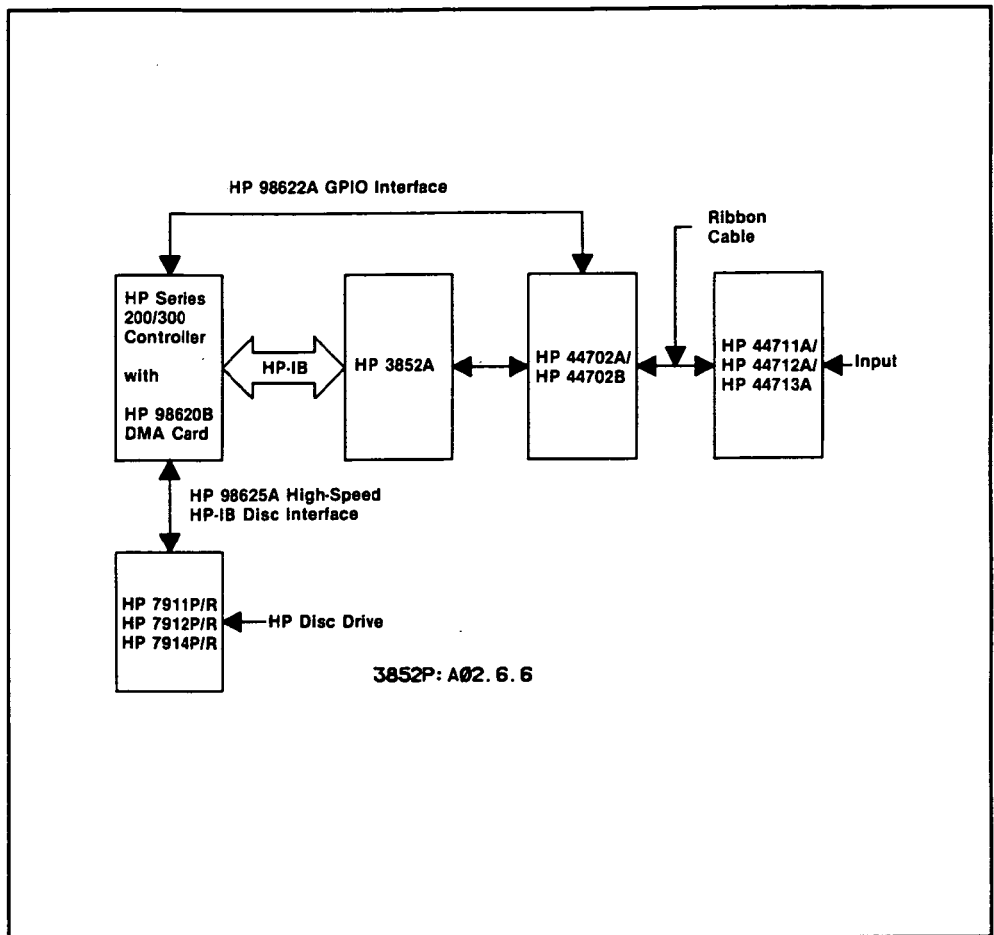


Figure 7-6. GPIO Data Transfer Configuration

NOTE

Data transfers within the digital section of the voltmeter share a common bus. Therefore, any data transfer request must wait until the internal bus is not busy. When measurements are being taken and sent to the GPIO controller at the maximum A/D conversion rate, the bus is about 40% utilized. Excessive access to voltmeter registers, such as repeated status checks can dominate the bus and may cause the data to be lost.

NOTE

Data is transferred over GPIO in unconverted (PACKED) format and must be unpacked in the controller to be readable. Refer to "Programming Examples" for typical unpacking routines.

Example: Transferring Data (GPIO)

In this example, line 10 assigns an I/O path to a GPIO interface with Interface Select Code = 12. Line 100 sets Control Register 2 PSTS Error bit (bit 2) high and sets CTL0 (bit 0) low. Setting CTL0 low tells the voltmeter that the next piece of data is a register address.

Line 110 addresses the voltmeter Data Buffer register (address 4) to provide access to the data stored in the voltmeter data buffer. Line 120 then sets CTL0 high to allow data transfer from the voltmeter data buffer to the controller and keeps the PSTS Error bit set. Line 130 enters the data from the data buffer to the controller.

```
10 ASSIGN @Gpio TO 12;FORMAT OFF,WORD ! Assign I/O path to GPIO
.
.
100 CONTROL 12,2;5 ! Set PSTS bit and set CTL0 low
110 OUTPUT @Gpio;4 ! Address Data Buffer register
120 CONTROL 12,2;4 ! Set PSTS bit and set CTL0 high
130 ENTER @Gpio;A(*) ! Enter Data Buffer register values
.
.
```

GPIO Triggering

The voltmeter can be triggered over GPIO by toggling bit 1 (the CTL1 bit) on Control Register 2 (recall that CTL0 controls data transfers). Depending on the SCTRIG, SCSLOPE, TRIG, STTRIG, and STSLOPE settings, changing CTL1 from low to high or high to low generates a scan, measure, or stop trigger. For example, with SCTRIG GPIO and SCSLOPE HL, changing CTL1 from high to low generates a scan trigger.

Example: Generate GPIO Scan Trigger

A typical sequence to send a scan trigger over GPIO follows, assuming SCTRIG GPIO and SCSLOPE HL are set. Line 100, sets the PSTS Error bit and sets the CTL1 bit high. Then, line 110 sets the PSTS Error bit and sets CTL1 low which generates a scan trigger on the high-to-low transition.

```

.
.
100 CONTROL 12,2;4           ! Set PSTS Error bit and set CTL1 high
110 CONTROL 12,2;6           ! Set PSTS Error bit and set CTL1 low
.
.
! (Gen. scan trigger on high-to-low)

```

GPIO Interrupts Interrupts to the GPIO controller can be enabled by setting bit 0 (Enable EIR Interrupts) in the Interrupt Enable Register. For the HP 44702A/B or HP 44704A voltmeter, setting the EIR line = 1 sets the interrupt line.

Example: Setting GPIO Interrupts

A typical sequence to set EIR interrupts follows.

```

.
.
30 ASSIGN @Hp_3852A TO 709     ! Assign I/O path to HP 3852A
40 OUTPUT @Hp_3852A;"RDGS GPIO" ! GPIO is readings destination
50 OUTPUT @Hp_3852A;"ENABLE INTR" ! Enable interrupt capability
.
.
110 ASSIGN @Gpio TO 12;FORMAT OFF,WORD ! Assign GPIO I/O path
120 INTEGER A(0:9)             ! Define array
130 ON INTR SC(@Gpio) GOSUB Rdgs ! Branch on interrupt
140 ENABLE INTR SC(@Gpio);1     ! Enable interface
.
.
350 Rdgs:ENTER @Gpio;A(*)      ! Enter readings
.
.

```

Programming Examples

This section shows two programs for GPIO operation, including data transfers, voltmeter triggering, and interrupts. For each example, the voltmeter is in mainframe slots 6 and 7 and is connected via ribbon cable to an HP 44711A/B multiplexer in slot 5 of the mainframe. The GPIO interface select code is 12.

The first example "GPIO Operations" shows basic methods to transfer data, generate voltmeter triggers, and generate voltmeter interrupts using GPIO. The second example "Transfer Data @ 100 kHz" shows a way to transfer data from the voltmeter to a mass storage unit at 100,000 readings per second.

Example: GPIO Operations

This program demonstrates GPIO data transfers, triggering, and interrupts. The voltmeter is configured over HP-IB and then triggered over GPIO. When all readings have been taken and stored in the voltmeter data buffer, an interrupt is generated over GPIO. The readings are then transferred via GPIO to the controller and unpacked.

NOTE

Lines 500 - 560 are not required for the program. They are listed to show that the controller can do other tasks (counting to 1000 for this example) while waiting for the measurements to complete (interrupt to occur).

Assign I/O Paths, Define Array

Lines 40-70 assign I/O paths for GPIO and the HP 3852A, using GPIO Interface Select Code = 12 and HP-IB Interface Select Code = 9. Line 50 assigns an I/O path for GPIO, line 60 defines the GPIO Interface Select Code as 12, and line 70 defines an INTEGER array in the controller.

Set Up Voltmeter

The voltmeter is configured for Scanner Mode ribbon cable operation to take 10 readings on a single channel (channel 500) at 0.1 second intervals. The scan trigger source is set for GPIO and the scan trigger slope is high-to-low.

Wait for Mainframe Ready

The controller monitors bit 4 of the mainframe status register (the RDY bit). When the mainframe is ready to accept inputs from GPIO (not BSY), the WHILE .. ENDWHILE loop ends.

Enable GPIO Interrupt

Lines 330 - 350 enable the GPIO interface for an interrupt from the voltmeter. Line 340 sets bit 0 of the Interrupt Enable Register (see Figure 7-5) which enables EIR interrupts. Since RDGSMODE END is set (line 180), an interrupt is generated only when all readings are stored (at the end of the scan sequence).

Set Data Buffer Register

Lines 390 - 460 set access to the voltmeter data buffer or set scan triggering. For the CONTROL statements in these lines, the PSTS Error bit (bit 2) is always set in addition to the settings described for CTL0 and CTL1.

Lines 390 - 410 access the Data Buffer register. The Data Buffer "register" is not actually a register, but provides an access path to the voltmeter data buffer. Line 390 sets Control Register 2 CTL1 bit (bit 1) high and sets CTL0 bit (bit 0) low.

For the voltmeter, the CTL1 bit is used for GPIO triggering while the CTL0 bit is used with the Data Buffer register. Setting CTL0 low (line 390) tells the voltmeter that the next piece of information is data. Line 400 accesses the Data Buffer register (register address 4) and line 410 resets CTL0 to high.

Trigger the Voltmeter

Lines 450 and 460 generate the scan trigger for the voltmeter via GPIO. Since SCTRIG GPIO (line 240) and SCSLOPE HL (line 200) are set, a high-to-low pulse input to the GPIO port will generate a scan trigger. Note that CONTROL Gpio,2;4 (line 410) set CTL1 high. Since CONTROL Gpio,2;6 (line 450) sets CTL1 low, a high-to-low pulse is generated which initiates the voltmeter scan trigger. Line 460 sets CTL1 back to high.

Transfer and Unpack Data

When the 10 readings are taken, a voltmeter interrupt is generated and the readings are transferred via GPIO to the controller. Since readings are transferred in PACKED (16-bit) format, they are unpacked in the controller. Unpacking functions for both 13 bit and 14 bit modes are included in this example. Call the appropriate one by editing line 620.

```

10 /
20 / Assign I/O paths, define array
30 /
40 ASSIGN @Comp TO 709 / Assign I/O path to HP 3852A
50 ASSIGN @Gpio TO 12;FORMAT OFF,WORD / Assign I/O path to GPIO
60 Gpio = 12 / GPIO Interface Select Code
70 INTEGER A(1:10) / Define controller array
90 /
100 / Set up voltmeter
110 CLEAR @Comp / Clear HP-IB
120 OUTPUT @Comp;"RST" / Reset HP 3852A
130 OUTPUT @Comp;"USE 600" / Use voltmeter in mainframe slot 6
140 OUTPUT @Comp;"SCANMODE ON" / Set Scanner Mode
150 OUTPUT @Comp;"CONF DCV" / Configure for DC volts
160 OUTPUT @Comp;"RANGE 9" / Set 10.24V range
170 OUTPUT @Comp;"RDGS GPIO" / GPIO port is destination
180 OUTPUT @Comp;"RDGSMODE END" / Interrupt when scan seq completes
190 OUTPUT @Comp;"NRDGS 10" / Set 10 readings per channel
200 OUTPUT @Comp;"SCSLOPE HL" / Scan trigger on HL slope
210 OUTPUT @Comp;"SPER .1" / 0.1 sec between measurements
220 OUTPUT @Comp;"ENABLE INTR" / Enable voltmeter interrupts
230 OUTPUT @Comp;"CLWRITE 500" / Set ch 500 as scan list
240 OUTPUT @Comp;"SCTRIG GPIO" / GPIO is scan trigger source
250 /
260 / Wait until mainframe is ready
270 /
280 WHILE NOT BIT(SPOLL(@Comp),4) / Wait until ready
290 END WHILE
300 /
310 / Enable GPIO interrupt
320 /
330 ON INTR Gpio GOSUB Get_rdgs / Go to subroutine on interrupt
340 Eir = 1 / Set Enable Intr Reg bit 0
350 ENABLE INTR Gpio;Eir / Enable GPIO interface
360 /
370 / Set Data Buffer Register
380 /
390 CONTROL Gpio,2;5 / Set CTL1 high and CTL0 Low
400 OUTPUT @Gpio;4 / Address Data Buffer register
410 CONTROL Gpio,2;4 / Set CTL1 high and CTL0 high
420 /
430 / Trigger the voltmeter
440 /
450 CONTROL Gpio,2;6 / Set CTL1 low and CTL0 high

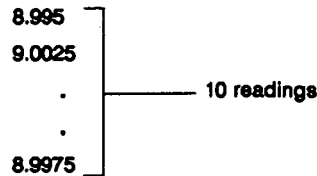
```

```

460 CONTROL Gpio,2;4           ! Set CTL1 high and CTL0 high
470 !
480 ! Display count while readings are taken
490 !
500 INTEGER Cnt               ! Define INTEGER variable
510 Cnt = 0
520 WHILE (Cnt < 1000)        ! Begin count sequence
530 Cnt = Cnt + 1             ! Increment count
540 DISP Cnt                  ! Display count
550 END WHILE                 ! End count sequence
560 STOP
570 !
580 ! Transfer data from voltmeter to controller
590 !
600 Get_rdgs5; ENTER @Gpio;A(*) ! Enter readings via GPIO
610 FOR I = 1 TO 10
620 PRINT USING "K,/" ; FNUnpk13(A(I)) ! Display readings
630 NEXT I
640 END
650 !
660 ! Unpacking functions
670 !
680 DEF FNUnpk13(INTEGER Pack) ! Define 13 bit unpack function
690 REAL R(0:3)
700 DATA 256.,32.,4.,1.
710 READ R(*)
720 M = BINAND(Pack,4095)
730 IF Pack > 0 OR M = 4095 THEN
740 RETURN 1.E + 38
750 ELSE
760 V = M*.0025/R(BINAND(SHIFT(Pack,13),3))
770 IF BIT(Pack,12) THEN V = -V
780 RETURN V
790 END IF
800 FNEND                     ! End 13 bit unpack function
810 DEF FNUnpk14(INTEGER Pack) ! Define 14 bit unpack function
820 REAL R(0:3)               ! Alloc. range factor array
830 DATA 256.,32.,4.,1.     ! Range function data
840 READ R(*)                 ! Fill array with range factors
850 ! Convert A/D bits and range bits to volt reading
860 V = SHIFT(BINAND(16383, Pack), -2)/4*.00125/R(BINAND(SHIFT(Pack,14),3))
870 RETURN V
880 FNEND                     ! End 14 bit unpack function

```

For a 9 volt 5% source connected to channel 500, a typical return follows. If, for example, 161 counts occurred before the readings are displayed, 161 also appears on the display.



**Example:
Transfer Data @
100 kHz**

This example shows how to transfer readings from an HP 44702A/B or HP 44704A (in 13 bit mode) voltmeter to an HP 7912P/R (CS80) mass storage unit via an HP 98622A GPIO Interface at 100,000 readings per second.

The program requires an HP 200/300 Series controller with an HP 98620B DMA card and requires an HP 98625A High-Speed HP-IB Disc Interface between the controller and the HP 7912P/R disc. Figure 7-7 summarizes the I/O path assignments and file names for this program. A program summary follows.

Define Arrays, Variables, and Buffers

Lines 40 - 90 define arrays, variables, and buffers used and define the default msus. Two buffers are defined for the HP Series 200/300 controller. *Packed* is a 10240 element (20 kbyte) INTEGER array/buffer for temporary storage of packed readings. *Unpacked* is a 10240 element (80 Kbyte) REAL array/buffer for temporary storage of unpacked readings.

NOTE

The Packed and Unpacked arrays/buffers must contain the same number of elements.

Tot_rdgs specifies the total number of readings desired, *Pre_scan* sets the number of prescans, and *Post_scan* sets the number of postscans. Select the number of readings, prescans, and postscans required as long as;

$$\frac{Tot_rdgs}{(Pre_scan + Post_scan)} \leq 65,535 .$$

The MASS STORAGE IS specifier sets the HP 7912P/R disc (via the HP 98625A High-Speed HP-IB Disc Interface) as the default msus.

Error Trap 1

Pack_rdgs is a BDAT file in the HP 7912P/R (created on line 190). This error trap applies if *Pack_rdgs* has been previously created by running this program

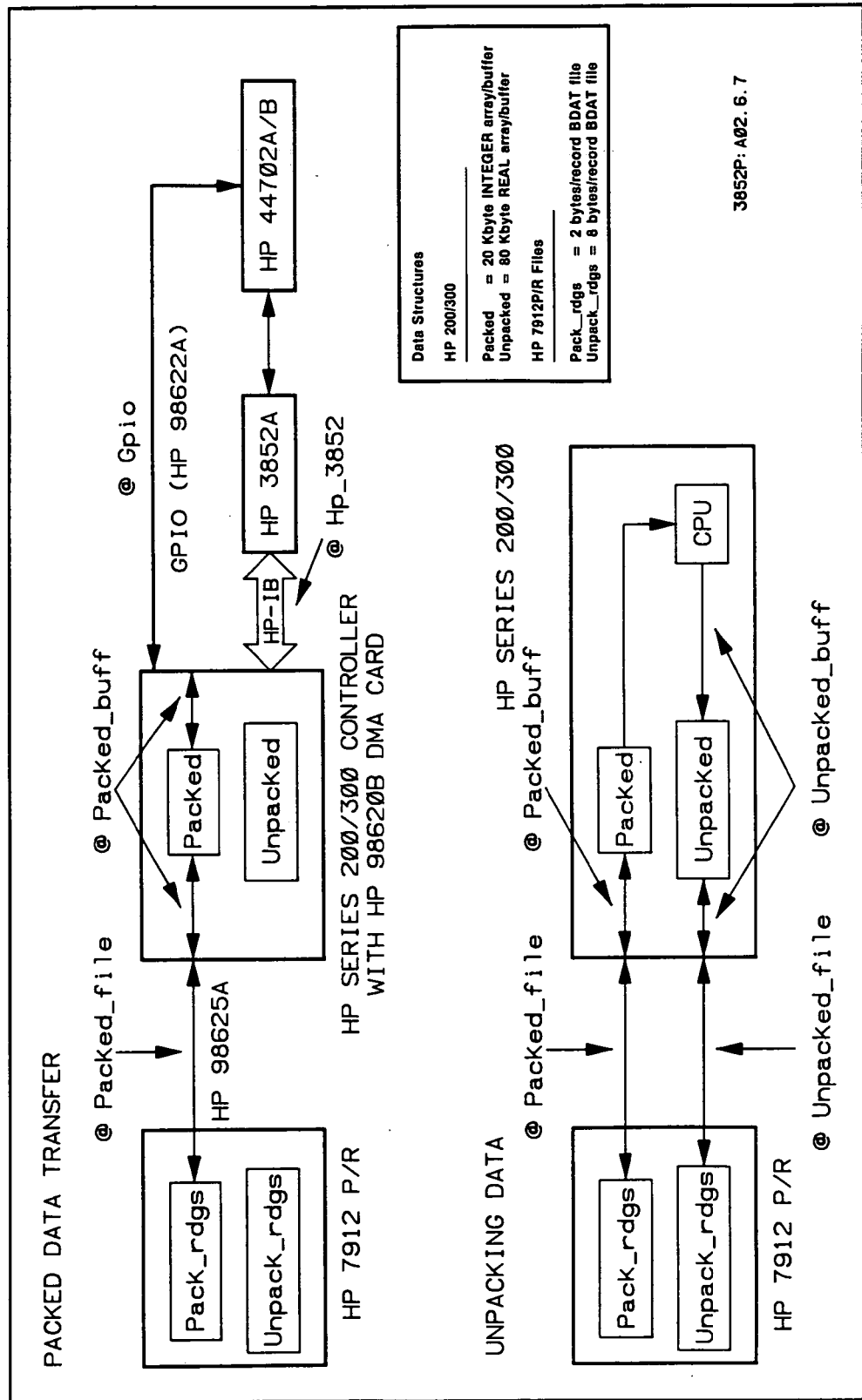


Figure 7-7. Example I/O Paths and File Names

or by another program. If *Pack_rdgs* exists, it is purged. If not, the program continues execution.

Create I/O Paths and Data File

Lines 190 - 230 create a data file and assign I/O paths. *Pack_rdgs* is a BDAT file in the HP 7912P/R with 2 bytes/record and a capacity of *Tot_rdgs*. *@Hp_3852* is the I/O path for the HP 3852A and *@Gpio* is the I/O path for GPIO (ISC = 12). *@Packed_file* is the path from the controller to *Pack_rdgs* and *@Packed_buff* is the I/O path for the Packed buffer.

Configure the Voltmeter

The voltmeter is configured for Scanner Mode DC voltage measurements on the 10.24V range. The readings destination is the GPIO port and readings are taken at 10 μ sec intervals (100,000 readings/second). For this program, the voltmeter is set for 10 prescans, 10 postscans, and 100,000 readings on channel 500. (Note the space between NRDGS, PRESCAN, and POSTSCAN and the " mark in lines 350, 380, and 390 is required.)

Set Data Buffer Register

To transfer data via GPIO, set CTL0 low (line 450) then address the Data Buffer register (line 460), then set CTL0 high (line 470) for data.

Trigger the Voltmeter

Trigger the voltmeter with a scan trigger from the mainframe (SCTRIG SGL). Since ASCAN ON is set, only a single scan trigger is required.

Transfer Packed Data

Lines 560 and 570 transfer packed data from the voltmeter to the controller and then to the HP 7912P/R. If the transfer stops before all data is transferred, the program jumps to the GPIO timeout subroutine (lines 1090 - 1130). TRANSFER *@Gpio* TO *@Packed_buff* (line 560) transfers packed data to the Packed buffer. TRANSFER *@Packed_buff* TO *@Packed_file*, (line 570) transfers the data to *Packed_rdgs* in the HP 7912P/R.

NOTE

While data is being transferred, the controller can do other tasks. The task statements can be inserted at lines 580 - 600. However, to maintain the 100,000 readings/sec rate, these "other tasks" should not include I/O operations over the HP 98625A interface.

Close I/O Paths

Lines 610 - 640 close I/O paths *@Gpio*, *@Packed_file*, and checks the status of *@Packed_buff*. Line 650 prints the number of (packed) readings transferred to *Packed_rdgs*.

Error Trap 2

Unpk_rdgs is a BDAT file in the HP 7912P/R (created on line 750). This error trap applies if *Unpk_rdgs* has been previously created by running this program or by another program. If *Unpk_rdgs* exists, it is purged. If not, the program continues execution.

Assign I/O Paths and Create Unpacked Readings File

Lines 750 - 790 create a file and assign I/O paths for unpacked readings. *Unpk_rdgs* is a BDAT file with 8 bytes/record to store the unpacked readings on the HP 7912P/R. *@Packed_file* is the I/O path to transfer packed readings from *Pack_rdgs* to the Packed array/buffer in the controller. *@Unpacked_file* is the I/O path to transfer unpacked readings from the Unpacked array/buffer in the controller to *Unpk_rdgs* in the HP 7912P/R. *@Packed_buff* and *@Unpacked_buff* are internal I/O paths in the controller.

Unpack Readings and Store on Disc

Lines 830 - 940 unpack the readings and display each reading value. Line 970 then prints the number of readings unpacked and stored. For this program, readings are transferred 1024 at a time from *Pack_rdgs* to the Packed buffer in the controller and unpacked using the unpacking function (lines 1180 - 1300).

As the 1024 readings are unpacked, they are temporarily stored in the Unpacked array/buffer. When the buffer fills, the readings are then transferred to *Unpk_rdgs* in the HP 7912P/R. This process repeats until all readings stored in *Pack_rdgs* have been unpacked and stored in *Unpk_rdgs*. As noted, the *Packed* and *Unpacked* buffers must contain the same number of elements.

Close I/O Paths

Lines 1010 - 1040 close I/O paths *@Packed_file*, *@Unpacked_file*, *@packed_buff*, and *@Unpacked_buff*.

GPIO Timeout Subroutine

If, for any reason, the transfer from the voltmeter to the controller fails to complete (GPIO timeout), this subroutine aborts the GPIO connection and the *@Packed_file* I/O path and updates the EOF pointer.

Unpacking Functions

This example includes unpacking functions for the 13 bit and 14 bit modes. Call the appropriate one by editing line 890.

Program to Transfer Readings @ 100,000 Readings/Second

```
10 /
20 / Define arrays, variables and buffers
30 /
40 INTEGER Packed(1:10240) BUFFER      / 20 Kbyte array/buffer
50 REAL Unpacked(1:10240) BUFFER      / 80 Kbyte array/buffer
60 Tot_rdgs = 100000                    / Define total rdgs variable
70 Pre_scan = 10                        / Define prescans variable
80 Post_scan = 10                       / Define postscans variable
90 MASS STORAGE IS ".,1400,0,0"       / Define default msus
100 /
110 / Error trap 1
120 /
130 ON ERROR GOTO Cont1                 / Define error event/branch
140 PURGE "Pack_rdgs"                  / Purge file at default msus
150 Cont1 :OFF ERROR                    / Turn off error event
160 /
170 / Create I/O paths, data file
180 /
190 CREATE BDAT "Pack_rdgs",Tot_rdgs,2 / Data file in default msus
200 ASSIGN @Hp_3852 TO 709              / Assign I/O path to HP 3852A
210 ASSIGN @Packed_file TO "Pack_rdgs" / Assign I/O path to msus file
220 ASSIGN @Gpio TO 12;WORD,FORMAT OFF / Assign I/O path to GPIO
230 ASSIGN @Packed_buff TO BUFFER Packed(*);WORD,FORMAT OFF / Cont
    I/O path
240 /
250 / Configure voltmeter
260 /
270 CLEAR @Hp_3852                      / Clear HP-IB
280 OUTPUT @Hp_3852;"RST"                / Reset HP 3852A
290 OUTPUT @Hp_3852;"USE 600"           / Use vm in mainframe slot 6
300 OUTPUT @Hp_3852;"DISP OFF"          / Turn display off
310 OUTPUT @Hp_3852;"SCANMODE ON"       / Set Scanner Mode
320 OUTPUT @Hp_3852;"CONF DCV"          / Configure for DC volts
330 OUTPUT @Hp_3852;"RANGE 9"           / Set 10.24V range
340 OUTPUT @Hp_3852;"RDGS GPIO"         / GPIO is readings destination
350 OUTPUT @Hp_3852;"NRDGS ";Tot.rdgs/(Pre_scan + Post_scan) / Number rdgs
360 OUTPUT @Hp_3852;"SPER 10E-6"        / 10 µsec between readings
370 OUTPUT @Hp_3852;"SCDELAY 0"         / 0 sec scan trigger delay
380 OUTPUT @Hp_3852;"PRESCAN ";Pre_scan / Set prescans
390 OUTPUT @Hp_3852;"POSTSCAN ";Post_scan / Set postscans
400 OUTPUT @Hp_3852;"ASCAN ON"          / Autoscan on
410 OUTPUT @Hp_3852;"CLWRITE 500"       / Set ch 500 as scan list
420 /
```

```

430 ! Set Data Buffer Register
440 !
450 CONTROL SC(@Gpio),2;5           ! Set CTL0 low
460 OUTPUT @Gpio USING "#,W";4     ! Address data buffer register
470 CONTROL SC(@Gpio),2;4           ! Set CTL0 high
480 !
490 ! Trigger voltmeter
500 !
510 OUTPUT @Hp_3852;"SCTRIG SGL"    ! Send scan trigger
520 !
530 ! Transfer data to controller and then to disc
540 !
550 ON TIMEOUT SC(@Gpio),1 GOSUB Abort_transfer
560 TRANSFER @Gpio TO @Packed_buff;COUNT Tot_rdgs,2,CONT
570 TRANSFER @Packed_buff TO @Packed_file;COUNT Tot_rdgs*2,END,CONT
580 !
590 ! Close I/O paths
600 !
610 ASSIGN @Gpio TO *
620 ASSIGN @Packed_file TO *
630 STATUS @Packed_buff,13;Bytes_trans
640 ASSIGN @Packed_buff TO *
650 PRINT Bytes_trans/2;" readings transferred."
660 !
670 ! Error trap 2
680 !
690 ON ERROR GOTO Cont2
700 PURGE "Unpk_rdgs"
710 Cont2:OFF ERROR
720 !
730 ! Create file for unpacked readings and assign I/O paths
740 !
750 CREATE BDAT "Unpk_rdgs",Bytes_trans/2,8 ! Create unpacked rdgs file
760 ASSIGN @Packed_file TO "Pack_rdgs"
770 ASSIGN @Unpacked_file TO "Unpk_rdgs"
780 ASSIGN @Packed_buff TO BUFFER Packed(*);FORMAT OFF
790 ASSIGN @Unpacked_buff TO BUFFER Unpacked(*);FORMAT OFF
800 !
810 ! Read packed file, unpack rdgs, store on disc in unpacked file.
820 !
830 REPEAT
840 RESET @Packed_buff
850 TRANSFER @Packed_file TO @Packed_buff;END,WAIT ! Buffer of pkd rdgs
860 STATUS @Packed_buff,12;Bytes_trans ! No. of bytes entered

```

```

870 IF Bytes_trans > 0 THEN
880 FOR I = 1 TO Bytes_trans/2
890 OUTPUT @Unpacked_buff;FNUnpk13(Packed(I));
900 PRINT Unpacked(I);
910 NEXT I
920 TRANSFER @Unpacked_buff TO @Unpacked_file;END,WAIT
930 END IF
940 UNTIL NOT Bytes_trans
950 STATUS @Unpacked_file,7;I           ! Find end of file pointer
960 PRINT
970 PRINT I-1;" readings unpacked and stored"
980 !
990 ! Close I/O paths
1000 !
1010 ASSIGN @Packed_file TO *
1020 ASSIGN @Unpacked_file TO *
1030 ASSIGN @Packed_buff TO *
1040 ASSIGN @Unpacked_buff TO *
1050 STOP
1060 !
1070 ! GPIO timeout subroutine
1080 !
1090 Abort_transfer:                    ! Execute subroutine if timeout occurs
                                        on GPIO

1100 ABORTIO @Gpio
1110 ABORTIO @Packed_file
1120 OUTPUT @Packed_file;END          ! Update EOF ptr for premature
                                        transfer abort

1130 RETURN
1140 END
1150 !
1160 ! Unpacking functions
1170 !
1180 DEF FNUnpk13(INTEGER Pack)        ! Define 13 bit unpack function
1190 REAL R(0:3)
1200 DATA 256.,32.,4.,1.
1210 READ R(*)
1220 M = BINAND(Pack,4095)
1230 IF Pack > 0 OR M = 4095 THEN
1240 RETURN 1.E + 38
1250 ELSE
1260 V = M*.0025/R(BINAND(SHIFT(Pack,13),3))
1270 IF BIT(Pack,12) THEN V = -V
1280 RETURN V

```

```

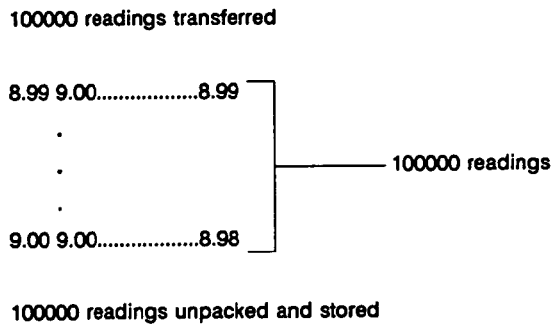
1280 RETURN V
1290 END IF
1300 FNEND ! End 13 bit unpack function
1310 DEF FNUnpk14(INTEGER Pack) ! Define 14 bit unpack function
1320 REAL R(0:3) ! Alloc. range factor array
1330 DATA 256.,32.,4.,1. ! Range function data
1340 READ R(*) ! Fill array with range factors
1350 ! Convert A/D bits and range bits to volt reading
1360 V = SHIFT(BINAND(16383, Pack), -2)/4*.00125/R(BINAND(SHIFT(Pack, 14), 3))
1370 RETURN V
1380 FNEND ! End 14 bit unpack function

```

Since 100,000 readings were specified, a typical return for a 9V 5% source connected to channel 500 follows. Note that the unpacked readings are also stored in Unpk_rdg on the HP 7912P/R.

NOTE

Although the 100,000 unpacked readings are transferred in one second, it requires about 28 minutes to unpack the readings using an HP Series 217 controller and the unpack function in this program.



Chapter 8

Using Read/Write Registers

Contents

Introduction8-1
Register Definitions8-1
Reading the Registers8-2
Reading the Data Buffer Register8-3
Reading the Identity Register8-7
Reading the Status Register8-9
Writing to the Trigger Register8-10

Using Read/Write Registers

Introduction

This chapter shows how to access some read and write registers on the HP 44702A/B and HP 44704A voltmeter. You can access these registers via HP-IB with SREAD or SWRITE commands or can access registers via GPIO with CONTROL statements. Refer to Chapter 7 - GPIO operation for further details on GPIO operation.

Register Definitions

The voltmeter contains its own microprocessor which allows the voltmeter to operate independently of the mainframe. This processor allows access to the internal registers which control the voltmeter and monitor the status.

Although the voltmeter contains several registers, the user can access only four of the registers: Status, Identity, Data Buffer, and Trigger. The Status, Identity, and Data Buffer registers are read only (READ) registers while the Trigger register is a write only (WRITE) registers. Table 8-1 summarizes the registers and shows register addresses.

NOTE

Although other registers exist in the voltmeter, do not attempt to read from or write to any registers other than the Identity, Status, Data Buffer, or Trigger registers as this may cause the voltmeter to enter an unknown state, invalidate all measurements, or "lock-up".

Table 8-1. Register Definitions/Addresses

Register	Address	Description
Read Only (READ) Registers		
Identity	0	Identifies the HP 44702A/B and indicates if the 56K memory expansion is installed (HP 44702B) or not (HP 44702A). For the HP 44704A
Status	1	Provides status information without interrupting the microprocessor operation. Information includes availability of data, data or command readiness, task completion, or error occurrence.
Data Buffer	4	Supplies the mainframe or GPIO controller with measurement data from the voltmeter data buffer. It is not actually a register, but provides access to the data buffer.
Write Only (WRITE) Register		
Trigger	1	Generates scan, measure, or stop triggers. All other trigger controls are generated by the voltmeter microprocessor or are controlled by the mainframe or system controller via GPIO.

Reading the Registers

As noted, there are two methods of reading the Identity, Status, and Data Buffer registers: HP-IB and GPIO.

HP-IB Reads

Use SREAD *slot register_number* [INTO *name*] or [*fmt*] to read the register contents over HP-IB where *slot* is the voltmeter slot and *register_number* is the register address as defined in Table 8-1.

For example, to read the value of a register on a high-speed voltmeter in mainframe slot 6 via HP-IB, use the following lines where *Reg_addr* is the address of the register (0, 1, or 4).

```

:
100 OUTPUT 709;"SREAD 600,Reg_addr"      ! Read register @ Reg-addr
110 ENTER 709;A                          ! Enter register value
:

```

GPIO Reads

To read register contents over GPIO, first, set Control Register 2 bit 0 (CTL0) low (logical 1) to tell the voltmeter the next piece of data is a register address. Next, send the register address (as defined in Table 8-1). Then, set CTL0 high (logical 0) again for data and enter the register value.

This example demonstrates these steps for GPIO interface select code 12. *Reg_addr* is the register address (0, 1, or 4) and *Reg_value* is the value returned by the register. For this, and all GPIO examples in the chapter, the PSTS Error bit (bit 2) is always set.

```

10 ASSIGN @Gpio to 12;WORD,FORMAT OFF!Assign I/O path to GPIO
:
100 CONTROL 12,2;5 ! Set CTL0 low
110 OUTPUT @Gpio;Reg_addr ! Output register address
120 CONTROL 12,2;4 ! Set CTL0 high
130 ENTER @Gpio;Reg_value ! Enter register value
:

```

Reading the Data Buffer Register

The voltmeters first stores all measurement data as a 16-bit integer in their internal data storage buffers. Figure 8-1 shows the measurement data format for the HP 44702A/B, and HP 44704A in 13 bit resolution mode (default after RST). Figure 8-2 shows the measurement data format for the HP 44704A in 14 bit resolution mode. Figure 8-3 shows the measurement data format for the HP 44704A in 16 bit resolution mode. To read the measurement data over HP-IB, access the Data Buffer register with SREAD slot,4. To read the data over GPIO, access the Data Buffer register with OUTPUT, ENTER, and CONTROL statements.

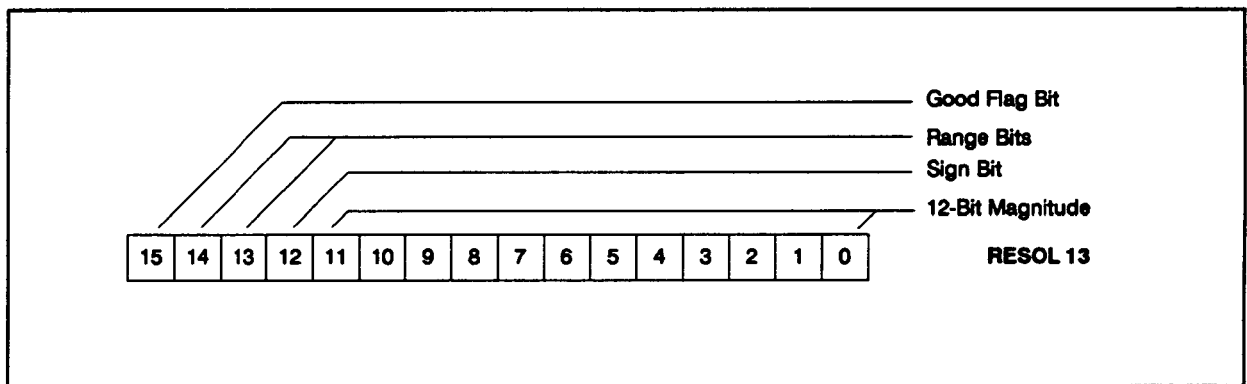


Figure 8-1. 13 Bit Resolution Measurement Data Format

In Figure 8-1, the Good Flag bit (bit 15) indicates whether the reading is valid. A high (logic 1) bit indicates a valid reading while a low (logic 0) bit indicates an invalid reading. The most likely cause for an invalid reading is that the input amplifier is saturated by common mode voltage greater than ± 10.5 volts.

Bits 14 and 13 indicate the voltmeter measurement range, where 00₂ = the ± 40 mv range; 01₂ = the ± 320 mv range; 10₂ = the ± 2.56 V range; and 11₂ = ± 10.24 V range. Bit 12 high (logic 1) indicates a positive value and bit 12 low (logic 0) indicates a negative value.

Bits 11 through 0 indicate the number of counts for the measurement. (If bits 11 through 0 = FFF (Hex) an overload condition exists.) The following program segment shows the 14 bit unpacking function for voltage.

```

:
100 ENTER @Gpio;A(*)           ! Enter readings
110 FOR I=0 TO n-1             ! Begin print loop
120 PRINT FNUUnpk13(A(I))      ! Print readings
130 NEXT I

:
200 DEF FNUUnpk13(INTEGER Bdata) ! Define 13 bit unpack function
210 REAL R(0:3)
220 DATA 256.,32.,4.,1.
230 READ R(*)
240 M = BINAND(Bdata,4095)
250 IF Bdata > 0 OR M = 4095 THEN
260 RETURN 1.E + 38
270 ELSE
280 V = M*.0025/R(BINAND(SHIFT(Bdata,13),3))
290 IF BIT(Bdata,12) THEN V = -V
300 RETURN V
310 END IF
320 FNEND                       ! End 13 bit unpacking function

```

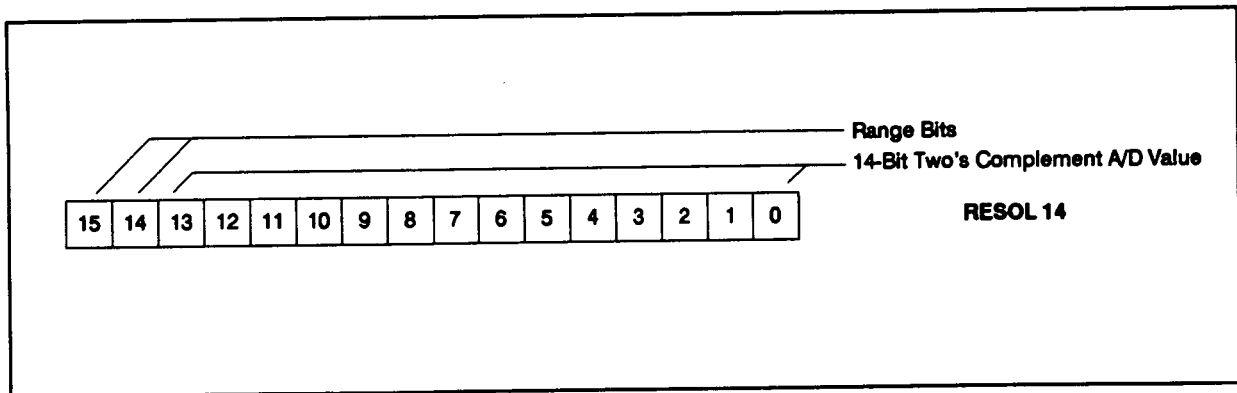


Figure 8-2. 14 Bit Resolution Measurement Data Format

In Figure 8-2, bits 15 and 14 indicate the voltmeter measurement range, where 00₂ = the ±40 mv range; 01₂ = the ±320 mv range; 10₂ = the ±2.56 V range; and 11 = ±10.24 V range. Bits 13 through 0 specify a two's complement value of the measurement. (If bits 13 through 0 = 8191 a positive overload condition exists, if bits 13 through 0 = -8192 a negative overload condition exists.) The following program segment shows the 14 bit unpacking function for voltage.

```

:
100 ENTER @Gpio;A(*)           / Enter readings
110 FOR I=0 TO n-1             / Begin print loop
120 PRINT FNUnpk14(A(I))      / Print readings
130 NEXT I

:
200 DEF FNUnpk14(INTEGER Pack) / Define 14 bit unpack function
210 REAL R(0:3)               / Alloc. range factor array
220 DATA 256.,32.,4.,1.      / Range function data
230 READ R(*)                 / Fill array with range factors
240 / Convert A/D bits and range bits to volt reading
250 M = BINAND(Pack,16383)
260 IF M = 8191 OR M = 8192 THEN
270 V = 1.E+38
280 ELSE
290 V = SHIFT(M,-2)/(3200.*R(BINAND(SHIFT(Pack,14),3)))
300 ENDIF
310 RETURN V
320 FNEND                       / End 14 bit unpack function

```

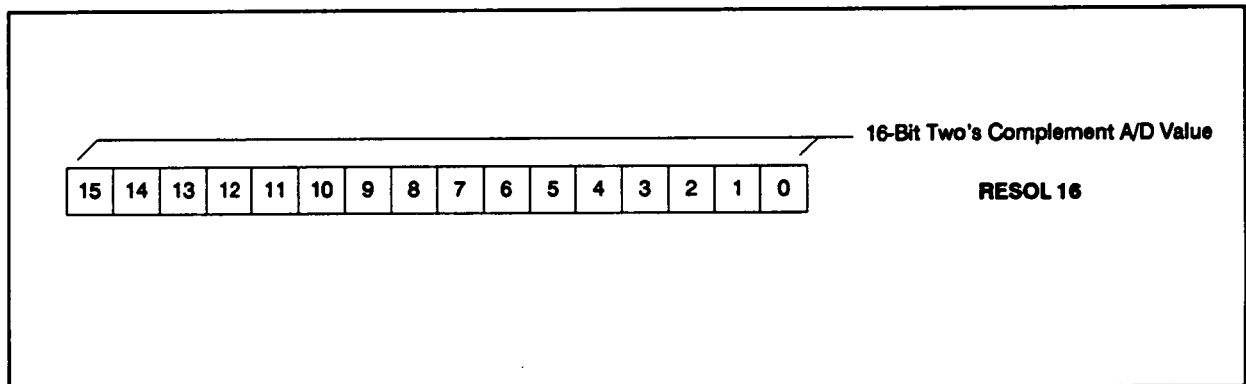


Figure 8-3. 16 Bit Resolution Measurement Data Format

In Figure 8-3, bits 15 through 0 form a 16 bit two's complement measurement value. If the value equals 32767, a positive overload condition exists - if the value is -32768, a negative overload condition exists. No range information is contained in the 16 bit packed data format. Current range status (as set by the RANGE command) is available in bits 8 and 9 of the Status Register. See Chapter 6 for more information about managing range information in 16 bit resolution mode. The following program segment shows the 16 bit unpacking function.

```

:
100 ENTER @Gpio;A(*)           ! Enter readings
110 OUTPUT 709;"SREAD 600,1"   ! Read status register
120 ENTER 709;S                ! Enter status value
130 Range = BINAND(SHIFT(S,8),3) ! Isolate range info
140 FOR I = 0 TO n-1           ! Begin print loop
150 PRINT FNUnpk16(A*),Range)  ! Print readings
160 NEXT I

:
200 DEF FNUnpk16(INTEGER Pack,Range) ! Define 16 bit unpack function
210 REAL R(0:3)                ! Alloc. range factor array
220 DATA 256.,32.,4.,1.       ! Range function data
230 READ R(*)                  ! Fill array with range factors
240 ! Convert A/D bits and range value to volt reading
250 IF Pack = 32767 OR Pack = -32768 THEN
260 V = 1.E + 38
270 ELSE
280 V = Pack/(3200*R(Range))
290 RETURN V
300 FNEND                       ! End 16 bit unpack function

```

Unpacking Resistance Measurements

To determine the measurement value for a resistance measurement, first determine V and then use $R = V/I$ where $I = 1 \text{ mA}$ for the $10 \text{ k}\Omega$ range; 0.1 mA for the $100 \text{ k}\Omega$ range; or 0.01 mA for the $1 \text{ m}\Omega$ range.

Data returned either over HP-IB or over GPIO must be unpacked. Refer to Chapter 5 - Scanner Mode Programming for example unpacking routines. Refer to Chapter 7 - GPIO Operation for examples on returning data over GPIO.

Example: Reading the Data Buffer Register (HP-IB)

This program shows how to enter the Data Buffer register contents over HP-IB. The Data Buffer register is not actually a register but provides access to the data in the voltmeter data buffer. Thus, the value returned by the Data Buffer register is the data in the data buffer. This program uses SREAD to enter a single DC voltage reading which is unpacked by line 100. (Since the 10.24V range is used, $RF = 1$.)

NOTE

If there is no data in the Data Buffer register, the program will "hang" at the SREAD command until the data arrives from the voltmeter.

```
10 OUTPUT 709;"USE 600"           / Use voltmeter in mainframe slot 6
20 OUTPUT 709;"RST 600"           / Reset voltmeter
30 OUTPUT 709;"SCANMODE ON"       / Set Scanner Mode
40 OUTPUT 709;"CONF DCV"          / Configure for DC volts
50 OUTPUT 709;"RANGE 9"           / Set 10.24V range
60 OUTPUT 709;"CLWRITE 500"       / Set ch 500 as scan list
70 OUTPUT 709;"SCTRIG INT"        / Internal scan trigger
80 OUTPUT 709;"SREAD 600,4"       / Read Data Buffer register
90 ENTER 709;A                     / Enter register contents
100 PRINT BINAND(4095,A)*.0025     / Display reading
110 END
```

Example: Reading the Data Buffer Register (GPIO)

This program segment shows how to enter the Data Buffer register contents over GPIO. The controller is set for GPIO interface select code 12, the voltmeter is in mainframe slot 6, and the PSTS error bit (bit 2) is set for Report (1). Again, the data must be unpacked.

```
10 ASSIGN @Gpio TO 12;WORD,FORMAT OFF /Assign I/O path to GPIO
:
100 CONTROL 12,2;5                 / Set CTL0 low
110 OUTPUT @Gpio;4                 / Output Data Buffer register addr
120 CONTROL 12,2;4                 / Set CTL0 high
130 ENTER @Gpio;A                  / Enter Data Buffer register value
:
```

Reading the Identity Register

The Identity register provides the HP 44702A/B voltmeter identity. Figure 8-4 shows the Identity register bit format. This register may be accessed at any time, but the GPIO handshake may be delayed up to 750 μ sec immediately after reset.

The high-speed voltmeter has identity code 01000 as indicated by bits 3 through 7. The Option bit (bit 0) indicates if the Extended Memory Card is installed. Option bit 0 = 0 indicates an HP 44702A (8k reading storage memory), while option bit 0 = 1 indicates an HP 44702A/B (64k reading storage memory (Extended Memory Card installed)).

For the HP 44704A voltmeter, the identity register bits indicate an HP 44702B.

The Scanmode Flag (bit 1) is used by the mainframe to determine if Scanner Mode is set (SCANMODE ON = 1 and SCANMODE OFF = 0). Thus, you can read this bit to determine if Scanner Mode is set. Bit 2 is always 0 after a reset. However, the bit may be 0 or 1 during a MEAS operation on the backplane.

Example: Reading the Identity Register (HP-IB)

This example shows how to read the Identity register over HP-IB.

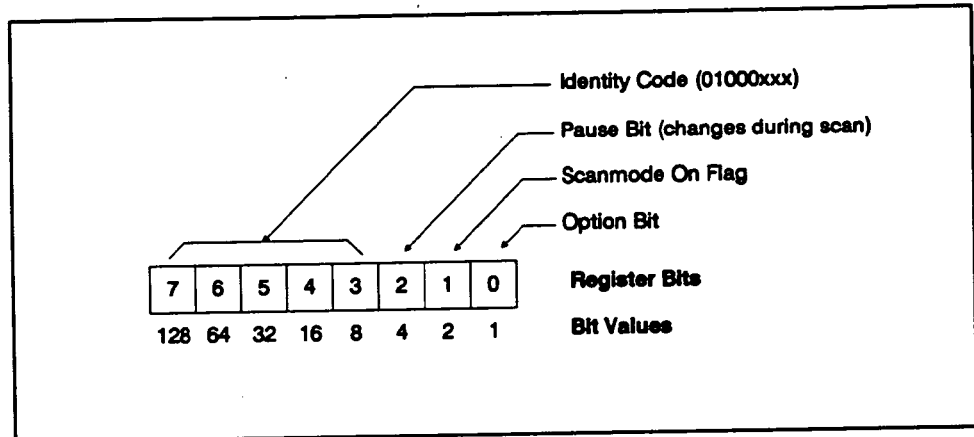


Figure 8-4. Identity Register

```

10 OUTPUT 709; "SREAD 600,0"           ! Read Identity register
20 ENTER 709;A                          ! Enter register contents
30 PRINT A                               ! Display register contents
40 END

```

For an HP 44702B or HP 44704A voltmeter in slot 6 of the mainframe, 65 is returned, since bit 6 is always set (1000001) and bit 0 is set for an HP 44702B or HP 44704A (64k reading storage memory).

Example: Reading the Identity Register (GPIO)

This example shows how to read the Identity register over GPIO. The controller GPIO interface select code is 12.

```

10 ASSIGN @Gpio TO 12;WORD,FORMAT OFF ! Assign I/O path to GPIO
20 INTEGER A
30 CONTROL 12,2;5                       ! Set CTL0 low
40 OUTPUT @Gpio;0                       ! Output Identity register address
50 CONTROL 12,2;4                       ! Set CTL0 high
60 ENTER @Gpio;A                        ! Enter Identity register value
70 PRINT A                               ! Display register value
80 END

```


For an HP 44702B or HP 44704A voltmeter in slot 6 of the mainframe, 65 is returned, since bit 6 is always set (1000001) and bit 0 is set for an HP 44702B (64k reading storage memory).

Reading the Status Register

The Status register provides the mainframe or GPIO controller information on high-speed voltmeter status. This register may be accessed at any time, but the GPIO handshake may be delayed up to 750 μ sec immediately after reset. Figure 8-5 shows the Status register bit format and Table 8-2 describes each bit. Note that bits 4 through 0 provide only protocol information between the mainframe and the voltmeter microprocessor and will not be discussed.

Table 8-2. Status Register Bit Descriptions

Bit	Name	Description
0-4	Protocol Bits	Protocol information between the HP 3852A mainframe and the voltmeter microprocessor.
5	Almost Full Flag	When RDGSMODE BURST is set, bit 5 is set when the data buffer has room for only 4096 (or less) additional readings.
6	Measurement Data Available Flag	Set when measurement data is available in the voltmeter data buffer.
7	Service Request Flag	Indicates interrupt status and can be used to indicate available data. For RDGSMODE END or RDGSMODE COMPLETE, indicates the end of the scan sequence.
HP 44704A Only		
8-9	Resolution Bits	Indicate current mode as set by RESOL command. The bit value/resolution relationship is: 00 = 13-bit 01 = 14-bit 10 = 16-bit

Example: Reading the Status Register (HP-IB)

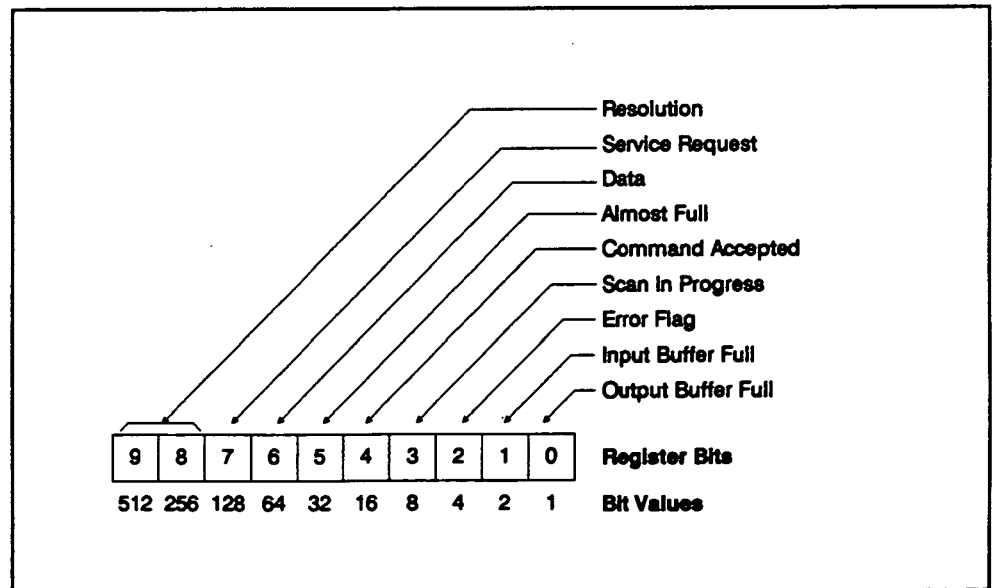


Figure 8-5. Status Register

This example shows how to read the Status register over HP-IB for a voltmeter in mainframe slot 6.

```
10 OUTPUT 709; "SREAD 600,1"           ! Read Status register
20 ENTER 709;A                          ! Enter register contents
30 PRINT A                               ! Display register contents
40 END
```

If measurement data is available (bit 6 set) and all other bits are zero, 64 is returned.

Example: Reading the Status Register (GPIO)

This example reads bits 5 through 9 of HP 44704A's Status register and decodes the results. The GPIO interface select code is 12.

```
10 ASSIGN @Gpio TO 12;WORD,FORMAT OFF ! Assign I/O path to GPIO
20 INTEGER A
30 CONTROL 12,2;5                       ! Set CTLO low
40 OUTPUT @Gpio;1                       ! Status register address
50 CONTROL 12,2;4                       ! Set CTLO high
60 ENTER @Gpio;A                        ! Enter status reg value
70 PRINT "Status Register"             ! Display header
80 PRINT
90 PRINT "Range bit 1 =";BIT(A,9)       ! Display bit 9 state 44704 only
100 PRINT "Range bit 0 =";BIT(A,8)     ! Display bit 8 state 44704 only
90 PRINT "Service Request =";BIT(A,7)  ! Display bit 7 state
100 PRINT "Data Available =";BIT(A,6)   ! Display bit 6 state
110 PRINT "Almost Full =";BIT(A,5)     ! Display bit 5 state
120 END
```

Writing to the Trigger Register The Trigger register allows the mainframe or the GPIO controller to generate single scan, measure, or stop triggers. The register may be written to at any time except during the first 750 μ sec immediately after reset. Figure 8-6 shows the Trigger register bits.

You can write to the Trigger register over HP-IB or over GPIO. Use SWRITE to write to the register over HP-IB or use CONTROL statements to write to the register over GPIO. From Figure 8-6, note that writes to bits 3 through 7 of the Trigger register are ignored.

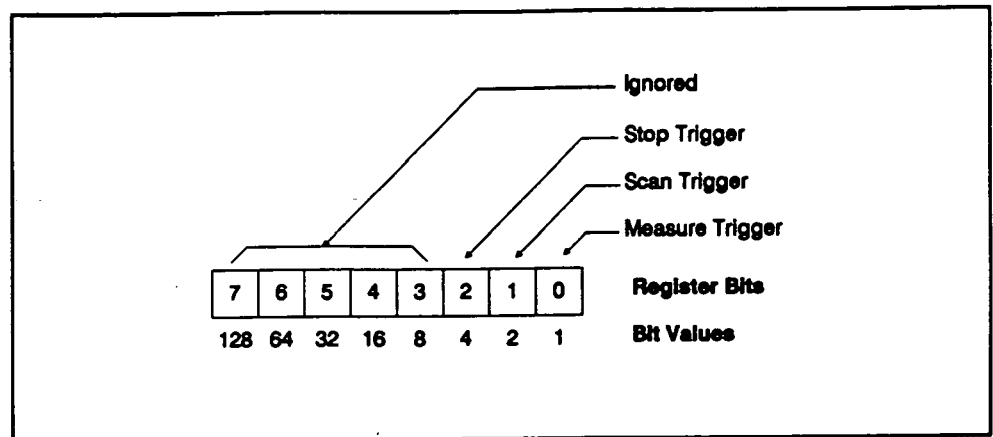


Figure 8-6. Trigger Register

NOTE

To generate the appropriate scan, measure, or stop trigger by writing to the Trigger register, *SCTRIG SGL*, *TRIG HOLD/SGL*, and/or *STTRIG HOLD/SGL* must first be set.

HP-IB Writes

Use *SWRITE slot register_number register_value* to write to the Trigger register over HP-IB where *slot* is the voltmeter slot, *register_number* = 1 is the trigger register address as defined in Table 8-1, and *register_value* is the value to be written to the register (1 sets a measure trigger, 2 sets a scan trigger, and 4 sets a stop trigger).

Example: Writing to the Trigger Register (HP-IB)

For example, to generate a single scan trigger by writing to the Trigger register of an HP 44702A/B voltmeter in mainframe slot 6 via HP-IB, use the following line where 1 is the address of the Trigger register and 2 generates a single scan trigger.

```
:
100 OUTPUT 709;"SWRITE 600,1,2"           ! Generate a single scan trigger
:
```

GPIO Writes

To write to the Trigger register over GPIO, first set Control Register 2 bit 0 (CTL0) low to tell the voltmeter that the next piece of data is a register address. Next, send the Trigger register address = 1. Then, set CTL0 high again for data transfer and send the value desired to the Trigger register.

Example: Writing to the Trigger Register (GPIO)

This example shows how to write to the Trigger register to generate a single scan trigger over GPIO with interface select code 12. Note that the PSTS Error bit is also set.

```
10 ASSIGN @Gpio TO 12;WORD,FORMAT OFF ! Assign I/O path to GPIO
:
100 CONTROL 12,2;5 ! Set CTL0 low
110 OUTPUT @Gpio;1 ! Send Trigger register address
120 CONTROL 12,2;4 ! Set CTL0 high
130 OUTPUT @Gpio;2 ! Generate single scan trigger
:
```

Appendix A
Specifications

Contents

DC Voltage	A-1
Accuracy:	A-1
1 Year Accuracy	A-1
Temperature coefficient:	A-2
Resolution:	A-2
Over-ranging:	A-2
Reading Rate:	A-2
Resistance	A-3
Accuracy:	A-3
1 Year Accuracy	A-3
Temperature coefficient:	A-4
Reading Rate:	A-4

Specifications

DC Voltage

Accuracy: \pm (% of reading + volts) in 16-bit mode, rear terminal input, one-hour warm-up, specified over time since last calibration, and operating temperature, with auto-zeroing performed within one minute of measurement. Accuracy in 13-bit and 14-bit modes limited to resolution of reading.

90 Days, 18 to 28 °C

Range	Accuracy
40 mV	.03% + 30 μ V
320 mV	.015% + 50 μ V
2.56 V	.015% + 340 μ V
10.24 V	.015% + 1.35 mV

Averaged Readings, 90 Days, 18 to 28 °C

Accuracy if 100 readings are averaged.	
Range	Accuracy
40 mV	.03% + 10 μ V
Accuracy if 10 readings are averaged: (little advantage to averaging more readings)	
Range	Accuracy
320 mV	.015% + 18 μ V
2.56 V	.015% + 113 μ V
10.24 V	.015% + 450 μ V

1 Year Accuracy Add .005% of reading to 90-day specifications

Temperature coefficient: Add as an additional accuracy error using \pm of reading per $^{\circ}\text{C}$ change outside 18 to 28 $^{\circ}\text{C}$, as long as the operation temperature is maintained between 0 to 18 or 28 to 55 $^{\circ}\text{C}$.

Range	Add % of reading
40 mV	.002%
all other ranges	.001%

Resolution: 13, 14, or 16 bits including sign bit

Range	Resolution		
	13-bit	14-bit	16-bit
40 mV	9.77 μV	4.88 μV	1.22 μV
320 mV	78.1 μV	39.1 μV	9.71 μV
2.56 V	625 μV	313 μV	78.1 μV
10.24 V	2.5 mV	1.25 mV	313 μV

Over-ranging: None; maximum signal (high to low) + common mode voltage (low to chassis) to prevent out-of-range indications is \pm 10.24 volts

Reading Rate: 100,000 readings/sec in 13-bit, 14-bit, and 16-bit modes. Proper auto-ranging in the 13-bit and 14-bit mode will occur at 100,000 readings/sec as long as a single-channel signal changes no more than 600 volts/sec during auto-ranging.

Resistance

Accuracy: \pm (% of reading + ohms), 4- or 2-wire ohms, max resistance expected (resistance function) determines the current source used, rear terminal inputs, one-hour warmup, specified over time since of last calibration, and operating temperature, with auto-zeroing performed within one minute of measurement. Current source compliance voltage is at least 17 V. For high-speed (ribbon cable) operation, only the HP 44711B or HP 44713B FET multiplexer is recommended for measuring resistance properly.

90 Days, 18 to 28 °C

10 kohm Function (1 mA current source)	Accuracy
Range	
40 ohms	.055% + 60 mohms
320 ohms	.04% + 70 mohms
2.56 kohms	.04% + 450 mohms
10.24 kohms	.04% + 1.8 ohms
100 kohm Function (100 μA current source) Range:	
400 ohms	.055% + 0.6 ohms
3.2 kohms	.04% + 0.7 ohms
25.6 kohms	.04% + 4.5 ohms
102.4 kohms	.04% + 18 ohms
1 Mohm Function (10 μA current source) Range:	
4 kohms	.055% + 6 ohms
32 kohms	.04% + 7 ohms
256 kohms	.04% + 45 ohms
1.024 kohms	.04% + 180 ohms

Averaged Readings, 90 Days, 18 to 28 °C

Accuracy if 100 readings are averaged:	Accuracy
Range	
40 ohm	.055% + 15 mohms
4 kohm	.055% + 150 mohms
400 ohm	.055% + 1.5 ohms
Accuracy if 10 readings are averaged: (little advantage to averaging more readings)	
320 ohm	.04% + 18 mohms
3.2 kohm	.04% + 180 mohms
32 kohm	.04% + 1.8 ohms
2.56 kohm	.04% + 113 mohms
25.6 kohm	.04% + 1.13 ohms
256 kohm	.04% + 11.3 ohms
10.24 kohm	.04% + 450 mohms
102.4 kohm	.04% + 4.5 ohms
1.024 Mohm	.04% + 45 ohms

1 Year Accuracy Add .01% of reading to 90-day specifications

Temperature coefficient:

Add as an additional accuracy error using \pm (% of reading + volts) per °C change outside 18 to 28 °C, as long as the operating temperature is maintained between 0 to 18 or 28 to 55 °C.

Range	Add % of reading Range:
40 ohm, 400 ohm, 4 kohm	.003%
all other ranges	.002%

Reading Rate:

100,000 readings/sec in 13-bit, 14-bit, and 16-bit modes. Proper auto-ranging in the 13-bit and 14-bit mode will occur at 100,000 readings/sec as long as a single-channel signal changes no more than 600 volts/sec during auto-ranging.

Index

Index

A

Acquisition, continuous data, example, 5-96
Advance source (SADV), 4-23
Applications, special, examples, 5-96
ARMODE (autorange mode), 4-19, 5-24, 5-43
ASCAN (autoscan mode), 5-61
Autorange mode (ARMODE), 4-19, 5-24, 5-43
Autoscan mode (ASCAN), 5-61
Autozero (AZERO), 4-28, 5-24, 5-42
AZERO, 4-28, 5-24, 5-42

B

Backplane measurements, 5-3
Buffer register, reading the data, 8-3

C

Cable, ribbon, installation, 3-12
Capture data "window", example, 5-87
Cautions, notes, and warnings, 3-1
Channel/range lists (CLWRITE), 5-25, 5-46
Channel read (CHREAD), 4-26, 5-81
Channels, controlling multiplexer, 4-25
Checks,
 initial, 3-12
 voltmeter ID, 3-12
 wiring connections, 3-15
CHREAD, 4-26, 5-81
CLOSE, 4-25
Close channels (CLOSE), 4-25
CLWRITE, 5-25, 5-46
 correcting 16 bit readings, 6-5
Commands,
 scanner mode, 5-21, 5-40, 5-107
 system mode, 4-36
CONF,
 and MEAS operation, 4-15, 5-16
 command, 4-13, 5-19, 5-39
 preset values, 4-14, 5-19, 5-39
Configure voltmeter (CONF), 4-13, 5-19, 5-39
CONFMEAS
 command, 4-4, 5-6
 measurement examples, 4-9, 5-10
 operation, 4-7, 5-8
 presets, 4-7
Connections
 multiplexer, 3-5
 rear panel, 3-5
Contents
 chapter, 2-1, 3-1, 4-1, 5-1, 7-1, 8-1
 manual, 1-1
Continuous data acquisition, example, 5-96
Controlling multiplexer channels, 4-25
Correcting readings made with CLWRITE, 6-5
 example program, 6-7
Correction factors for CLWRITE, 6-6

D

Data buffer register, 8-3
Data management,
 data/interrupt requirements, 2-6
 destination/storage, setting, 5-78
 transfer to controller, example, 5-92
 transfer to mainframe, example, 5-91

Data transfers,
 to controller via HP-IB, example, 5-92
 to mainframe, example, 5-91
 to controller via GPIO, example, 7-14
DC voltage measurements, example, 5-10
Defining measurement requirements, 2-5
Definitions, register, 8-1
Delay,
 example, measure trigger, 5-68
 measurement (DELAY), 4-18
 scan trigger (SCDELAY), 5-28, 5-60
DELAY, 4-18
Descriptions, voltmeter, 1-2
Destination,
 readings (RDGS), 4-30, 5-24-, 5-40
 storage, setting readings, 5-78
Digitize a waveform, example, 5-88
DISABLE INTR, 5-84
Disabling interrupts (DISABLE INTR), 5-84
Discharging mainframe backplane, 3-3
DISP, 5-41
Display mode (DISP), 5-41

E

ENABLE INTR, 4-32, 5-82
Enable interrupts (ENABLE INTR), 4-32, 5-82
Entering 16 bit resolution mode, 6-10
 example program, 6-10
Examples,
 capture a "window" of data, 5-87
 channel/range lists, 5-48
 continuous data acquisition, 5-96
 DC voltage measurements, 4-9, 5-10
 digitize a waveform, 4-34, 5-88
 GPIO interrupts, 7-10
 GPIO operations, 7-11
 graphing a waveform, 5-90
 low-level multiplexer measurements, 4-26
 mainframe firmware revision, 3-16
 measure trigger delay, 5-68
 measure trigger, setting, 5-70
 monitor multiplexer inputs, 3-15
 noise rejection, 60 Hz, 5-104
 number of readings, setting, 5-51
 reading data buffer register (GPIO), 8-7
 reading data buffer register (HP-IB), 8-6
 reading identity register (GPIO), 8-8
 reading identity register (HP-IB), 8-8
 reading status register (GPIO), 8-10
 reading status register (HP-IB), 8-10
 rear panel measurements, 4-29, 5-94
 reference temperature measurement, 4-11, 5-12
 resistance measurements, 4-10, 5-12
 scan trigger, setting, 4-24, 5-63
 scanner mode measurements, 2-12
 stop trigger, setting, 5-75
 synchronize multiple voltmeters, 5-101
 system mode voltage measurements, 2-11
 temperature measurements, 4-10, 5-12
 transfer data @ 100 kHz, 7-14
 transfer data (GPIO), 7-9
 transfer data to controller, 5-92
 transfer data to mainframe, 5-91
 voltmeter configuration, setting, 4-19, 5-25
 voltmeter interrupts, setting, 4-34, 5-84
 voltmeter triggering, setting, 4-22, 5-30
 writing to trigger register (GPIO), 8-12

writing to trigger register (HP-IB), 8-11
EXTO port triggering (TRIGOUT), 5-30, 5-68

F

Features, voltmeter, 1-3
Field wiring checks (MONMEAS), 5-4
Firmware revision, mainframe, 3-16
FUNC, 4-28, 5-23, 5-42
Function (FUNC), 4-28, 5-23, 5-42

G

Getting started, 1-4, 4-2, 5-4
GPIO,
 data transfers, 7-5
 interface signals, 7-2
 interface switches, 7-3
 interrupts, 7-10
 operations, example, 7-11
 programming, 7-4
 signal timing, 7-5
 triggering, 7-9
Graphing a waveform, example, 5-90

H

High-speed data transfers, examples, 5-91, 7-14

I

ID check (ID?), 3-12
Identity register, 8-8
Input,
 slope (SLOPE), 4-22
 terminals (TERM), 4-27, 5-23, 5-42
 threshold (PERC), 4-27, 5-28, 5-59
Inputs, connecting user, 3-5
Installation,
 multiplexer measurements, 3-9
 ribbon cable measurements, 3-12
Installing the voltmeter, 3-9
Interrupts,
 disabling (DISABLE INTR), 5-84
 enabling (ENABLE INTR), 4-32, 5-82
 enabling interrupts, example, 4-34, 5-84

K

Known state, setting, 5-23, 5-41

L

Lists,
 channel/range (CLWRITE), 5-25, 5-46
 setting channel/range, example, 5-4-8
Low-level commands, 4-13, 5-21, 5-4-0

M

Mainframe,
 firmware revision, 3-16
 transfer data to, example, 5-91
Managing range information, 6-3
mainframe readings, 6-4
Manual contents, 1-1
MEAS,
 command, 4-14-, 5-20
 operation, 4-15, 5-16
Measure trigger,
 delay, example, 5-68
 setting, 5-29, 5-64
 setting, example, 5-70

slope (SLOPE), 5-30, 5-66
source (TRIG), 5-29, 5-65
timing (SPER), 5-30, 5-66
timing accuracy, 5-67

Measurements,
 backplane, 5-3
 DC voltage, example, 5-10
 delays (DELAY), 4-18
 function (FUNC), 4-28, 5-23, 5-42
 low-level multiplexer, example, 4-26
 overview, 2-1
 parameters, 2-5
 rear panel, example, 4-29, 5-94
 reference temperature, example, 5-12
 resistance, example, 5-12
 requirements, defining, 2-5
 temperature, example, 5-12
 types, 2-5, 4-2, 5-2
 using CONF and low-level commands, 4-24, 5-31
 using CONF and MEAS, 4-11, 5-13
 using CONFMEAS, 4-4, 5-6

Mode,
 autorange (ARMODE), 4-19, 5-24, 5-43
 autoscan (ASCAN), 5-61
 autozero (AZERO), 4-28, 5-24, 5-42
 display (DISP), 5-41
 readings storage (RDGSMODE), 4-31, 5-78
 scanner (SCANMODE), 4-13, 5-23, 5-41
Multiple readings (XRDGS), 4-28, 5-81
Multiple voltmeters, synchronize, example, 5-101
Multiplexer,
 characteristics, 2-9
 connections, 3-5
 installation, 3-5
 types, 2-9

N

Noise rejection, 60 Hz, example, 5-104
Notes, warnings, cautions, 3-1
NRDGS, 4-17, 5-24, 5-50
Number,
 postscans (POSTSCAN), 5-50
 prescans (PRESCAN), 5-49
 readings/channel (NRDGS), 5-50
 readings, setting, example, 5-51
 readings/trigger (NRDGS), 4-17, 5-24, 5-50

O

OPEN, 4-25
Operation,
 CONF and MEAS, 4-15, 5-16
 CONFMEAS, 4-4, 5-8
 GPIO, example, 7-11
Overview,
 CONF and MEAS, 4-11, 5-16
 programming, 4-11, 5-14
 scanner mode, 5-2
 system mode, 4-15

P

PERC, 4-27, 5-59, 5-73
POSTSCAN, 5-50
Postscans (POSTSCAN), 5-50
PRESCAN, 5-49
Prescans (PRESCAN), 5-49
Preset values,
 CONF, 4-14, 5-19, 5-39
 MEAS, 4-15, 5-20
Programming,
 GPIO, 7-4
 HP-IB, 4-1
 overview, 4-11, 5-14

- selecting mode, 2-10
- Programming sequence,
 - using CONFMEAS, 5-11
 - using CONF and low-level, 5-33
 - using CONF and MEAS, 5-15

R

- RANGE, 4-18, 5-23, 5-43
 - Changing (RANGE cmd), 6-3
 - CONF presets, 6-3
 - controlling, 6-2
 - in 16 bit resolution, 6-1
 - information, managing, 6-3
 - Range (RANGE), 4-18, 5-23, 5-43, 6-2
 - Range/channel lists (CLWRITE), 5-25, 5-46
 - RDGS, 4-30, 5-24-, 5-78
 - RDGSMODE, 4-31, 5-78
- Reading registers,
 - data buffer register, 8-3
 - identity register, 8-7
 - status register, 8-9
- Readings,
 - destination (RDGS), 4-30, 5-24, 7-1
 - number of (NRDGS), 4-17, 5-24, 5-50
 - storage mode (RDGSMODE), 4-31, 5-78
 - transfer single (CHREAD), 4-26, 5-81
 - transfer multiple (XRDGS), 4-28, 5-81
- Rear panel,
 - connections, 3-5
 - measurements, 4-27, 5-94
- Reference temperature measurement, example, 5-12
- Register,
 - definitions, 8-2
 - reading the data buffer, 8-3
 - reading the identity, 8-7
 - reading the status, 8-9
 - writing to the trigger, 8-10
- Resistance measurements, example, 5-12
- RESOL
 - entering 16 bit resolution, 6-10
 - example program (16 bit), 6-10
- Resolution
 - entering 16 bit mode, 6-10
 - 16 bit data format, 6-1
 - 16 bit mode, 6-1
 - 16 bit unpacking function, 6-9
- Revision, mainframe firmware, 3-16
- Ribbon cable,
 - installation, 3-12
 - measurements, 5-3

S

- SADV, 4-23
- Scan advance source (SADV), 4-23
- Scan pass, 5-36
- Scan RAM, 5-34
- Scan sequence, 5-36
- Scan trigger,
 - delay (SCDELAY), 5-28, 5-60
 - slope (SCSLOPE), 5-28, 5-59
 - source (SCTRIG), 5-27, 5-56
 - threshold (PERC), 5-28, 5-59
- SCANMODE, 4-13, 5-23, 5-41
- Scanner Mode,
 - commands, summary, 5-22, 5-40, 5-107
 - setting (SCANMODE), 4-13, 5-23, 5-4-1
 - 16 bit resolution, 6-5
- SCDELAY, 5-28, 5-60
- SCSLOPE, 5-28, 5-59
- SCTRIG, 5-27, 5-56
- Self-test, voltmeter, 3-12
- Signals, GPIO,
 - interface, 7-2
 - timing, GPIO, 7-3

- 16 bit resolution mode, 6-1, 6-9
 - entering, 6-10
 - example program, 6-9
 - 16 data format, 6-1
 - using CLWRITE, 6-5
- SLOPE, 4-22, 5-30, 5-66
- Slope,
 - measure trigger (SLOPE), 5-30, 5-66
 - scan trigger (SCSLOPE), 5-28, 5-59
 - stop trigger (STSLOPE), 5-73
- SPER, 5-30, 5-66
- Stop trigger,
 - setting, example, 5-75
 - slope (STSLOPE), 5-73
 - source (STTRIG), 5-71
- STRIG, 4-23
- STSLOPE, 5-73
- STTRIG, 5-71
- Source,
 - measure trigger (TRIG), 5-29, 5-65
 - scan advance (SADV), 4-23
 - scan trigger (SCTRIG), 5-27, 5-56
 - scan start (STRIG), 4-23
 - stop trigger (STTRIG), 5-71
- Status register, 8-9
- Stop trigger,
 - slope (STSLOPE), 5-73
 - source (STTRIG), 5-71
 - threshold (PERC), 5-28, 5-59
- Storage mode, readings (RDGSMODE), 5-78
- Summary,
 - scanner mode commands, 5-107
 - system mode commands, 4-12
- Switches, GPIO, 7-3
- Synchronize multiple voltmeters, example, 5-101
- System Mode,
 - commands, 4-12
 - operation, 4-15
 - 16 bit resolution, 6-4

T

- Temperature measurements, example, 5-12
- TERM, 4-27, 5-23, 5-42
- Terminals, setting (TERM), 4-27, 5-23, 5-42
- Threshold,
 - scan trigger (PERC), 5-28
 - stop trigger (PERC), 5-59
- Timing,
 - GPIO signal, 7-3
 - measure trigger (SPER), 5-30, 5-66
 - scan trigger (SCDELAY), 5-28, 5-60
- Transferring data,
 - at 100 kHz, example, 7-14
 - multiple readings (XRDGS), 4-28, 5-81
 - single reading (CHREAD), 4-26, 5-81
 - to controller, example, 5-92
 - to mainframe, example, 5-91
- TRIG, 4-20, 5-29, 5-65
- Trigger,
 - measure, delay (DELAY), 4-18
 - measure, delay (SPER), 5-30, 5-66
 - register, 8-10
 - scan delay (SCDELAY), 5-28, 5-60
 - setting measure, example, 5-70
 - setting scan, example, 5-63
 - setting stop, example, 5-75
 - slope, measure (SLOPE), 5-30, 5-66
 - slope, scan (SCSLOPE), 5-28, 5-59
 - slope, stop (STSLOPE), 5-73
 - source, mainframe advance (SADV), 4-23
 - source, mainframe scan (STRIG), 4-23
 - source, measure (TRIG), 4-20, 5-29
 - source, scan (SCTRIG), 5-27, 5-56
 - source, stop (STTRIG), 5-71
 - threshold, scan (PERC), 5-28, 5-59

threshold, stop (PERC), 5-73
timing (SPER), measure, 5-30, 5-56
TRIGOUT, 5-30, 5-68

U

Unpacking readings in your controller
 example program, 6-7
 16 bit resolution mode, 6-7, 6-9
USE, 5-23, 1-41
User inputs, connecting, 3-5
Using this manual, 1-1

V

Values, CONF preset, 5-19, 5-39
Voltage measurements, DC, example, 5-10
Voltmeter,
 architecture, 5-34
 configure (CONF), 5-19, 5-39
 configuration, example, 5-25
 configuration, selecting, 2-7
 description, 1-1
 function, 2-7
 function (FUNC), 5-23, 5-42

ID check (ID?), 3-12
installing, 3-9
interrupts, example, 5-84
range (RANGE), 4-18, 5-23, 5-43
slot used (USE), 5-23, 5-41
synchronize multiple, example, 5-101
triggering, examples, 4-24, 5-30
triggering, setting, 4-20, 5-26, 5-53
triggering, sources, 5-55

W

Warnings, cautions, and notes, 3-1
Waveforms,
 digitizing, example, 5-88
 graphing, example, 5-90
Wiring connections, checking, 3-15
Writing to trigger register, 8-10

X

XRDGS, 4-28, 5-81

HP 3852A Data Acquisition/Control Unit

16-Bit High-Speed Voltmeter

HP 44704A

Service Manual



HP 3852A Data Acquisition/Control Unit

16-Bit High-Speed Voltmeter

HP 44704A

Service Manual

Serial Numbers

Attached to the backplane connector of the instrument is a serial number plate. The serial number is in the form: 0000A00000. The first four digits and the letter are the serial number prefix. The last five digits are the suffix. The prefix is the same for identical instruments; it changes only when a configuration change is made to the instrument. The suffix, however, is assigned sequentially and is different for each instrument. This manual applies directly to instruments with serial numbers prefixed with 3108A.



Copyright © Hewlett-Packard Company, 1991

Manual Part Number: 44704-90010
Microfiche Part Number: 44704-99010

Printed: September 1991 Edition 1
Printed in U.S.A. E0991

CERTIFICATION

Hewlett-Packard Company certifies that this product met its published specifications at the time of shipment from the factory. Hewlett-Packard further certifies that its calibration measurements are traceable to the United States National Institute of Standards and Technology (formerly National Bureau of Standards), to the extent allowed by that organization's calibration facility, and to the calibration facilities of other International Standards Organization members.

WARRANTY

This Hewlett-Packard product is warranted against defects in materials and workmanship for a period of three years from date of shipment. Duration and conditions of warranty for this product may be superseded when the product is integrated into (becomes a part of) other HP products. During the warranty period, Hewlett-Packard Company will, at its option, either repair or replace products which prove to be defective.

For warranty service or repair, this product must be returned to a service facility designated by Hewlett-Packard (HP). Buyer shall prepay shipping charges to HP and HP shall pay shipping charges to return the product to Buyer. However, Buyer shall pay all shipping charges, duties, and taxes for products returned to HP from another country.

HP warrants that its software and firmware designated by HP for use with a product will execute its programming instructions when properly installed on that product. HP does not warrant that the operation of the product, or software, or firmware will be uninterrupted or error free.

LIMITATION OF WARRANTY

The foregoing warranty shall not apply to defects resulting from improper or inadequate maintenance by Buyer, Buyer-supplied products or interfacing, unauthorized modification or misuse, operation outside of the environmental specifications for the product, or improper site preparation or maintenance.

The design and implementation of any circuit on this product is the sole responsibility of the Buyer. HP does not warrant the Buyer's circuitry or malfunctions of HP products that result from the Buyer's circuitry. In addition, HP does not warrant any damage that occurs as a result of the Buyer's circuit or any defects that result from Buyer-supplied products.

NO OTHER WARRANTY IS EXPRESSED OR IMPLIED. HP SPECIFICALLY DISCLAIMS THE IMPLIED WARRANTIES OF MERCHANTABILITY AND FITNESS FOR A PARTICULAR PURPOSE.

EXCLUSIVE REMEDIES

THE REMEDIES PROVIDED HEREIN ARE BUYER'S SOLE AND EXCLUSIVE REMEDIES. HP SHALL NOT BE LIABLE FOR ANY DIRECT, INDIRECT, SPECIAL, INCIDENTAL, OR CONSEQUENTIAL DAMAGES, WHETHER BASED ON CONTRACT, TORT, OR ANY OTHER LEGAL THEORY.

NOTICE

The information contained in this document is subject to change without notice. HEWLETT-PACKARD (HP) MAKES NO WARRANTY OF ANY KIND WITH REGARD TO THIS MATERIAL, INCLUDING, BUT NOT LIMITED TO, THE IMPLIED WARRANTIES OF MERCHANTABILITY AND FITNESS FOR A PARTICULAR PURPOSE. HP shall not be liable for errors contained herein or for incidental or consequential damages in connection with the furnishing, performance or use of this material. This document contains proprietary information which is protected by copyright. All rights are reserved. No part of this document may be photocopied, reproduced, or translated to another language without the prior written consent of Hewlett-Packard Company. HP assumes no responsibility for the use or reliability of its software on equipment that is not furnished by HP.

Restricted Rights Legend

Use, duplication, or disclosure by the Government is subject to restrictions as set forth in subdivision (b)(3)(ii) of the Rights in Technical Data and Computer Software clause at 52.227-7013. Hewlett-Packard Company; 3000 Hanover Street; Palo Alto, California 94304

Herstellerbescheinigung

Hiermit wird bescheinigt, dass dieses Gerät/System HP 44704A in Übereinstimmung mit den Bestimmungen von Postverfügung 1046/84 funktentstört ist. Der Deutschen Bundespost wurde das Inverkehrbringen dieses Gerätes/Systems angezeigt und die Berechtigung zur Überprüfung der Serie auf Einhaltung der Bestimmungen eingeräumt.

Zusatzinformation für Mess- und Testgeräte:

Werden Mess- und Testgeräte mit ungeschirmten Kabeln und/oder in offenen Messaufbauten verwendet, so ist vom Betreiber sicherzustellen, dass die Funk-Entstörbestimmungen unter Betriebsbedingungen an seiner Grundstücksgrenze eingehalten werden.

Manufacturer's Declaration

This is to certify that the equipment HP 44704A meets the radio frequency interference requirements of Directive FTZ 1046/84. The German Bundespost has been notified that this equipment was put into circulation and has been granted the right to check the product type for compliance with these requirements.

Additional Information for Test and Measurement Equipment:

If test and measurement equipment is operated with unshielded cables and/or used for measurements on open set-ups, the user has to assure that under operating conditions the Radio Interference Limits are still met at the border of the user's premises.

Printing History

The Printing History shown below lists all Editions and Updates of this manual and the printing date(s). The first printing of the manual is Edition 1. The Edition number increments by 1 whenever the manual is revised. Updates, which are issued between Editions, contain replacement pages to correct the current Edition of the manual. Updates are numbered sequentially starting with Update 1. When a new Edition is created, it contains all the Update information for the previous Edition. Each new Edition or Update also includes a revised copy of this printing history page. Many product updates or revisions do not require manual changes and, conversely, manual corrections may be done without accompanying product changes. Therefore, do not expect a one-to-one correspondence between product updates and manual updates.

Edition 1 (Part Number 44704-90010) September 1991

Safety Symbols



Instruction manual symbol affixed to product. Indicates that the user must refer to the manual for specific Warning or Caution information to avoid personal injury or damage to the product.



Indicates the field wiring terminal that must be connected to earth ground before operating the equipment – protects against electrical shock in case of fault.



OR



Frame or chassis ground terminal – typically connects to the equipment's metal frame.



Alternating current (AC).



Direct current (DC).



Indicates hazardous voltages.

WARNING

Calls attention to a procedure, practice, or condition that could cause bodily injury or death.

CAUTION

Calls attention to a procedure, practice, or condition that could possibly cause damage to equipment or permanent loss of data.

WARNINGS

The following general safety precautions must be observed during all phases of operation, service, and repair of this product. Failure to comply with these precautions or with specific warnings elsewhere in this manual violates safety standards of design, manufacture, and intended use of the product. Hewlett-Packard Company assumes no liability for the customer's failure to comply with these requirements.

Ground the equipment: For Safety Class 1 equipment (equipment having a protective earth terminal), an uninterruptible safety earth ground must be provided from the mains power source to the product input wiring terminals or supplied power cable.

DO NOT operate the product in an explosive atmosphere or in the presence of flammable gases or fumes.

For continued protection against fire, replace the line fuse(s) only with fuse(s) of the same voltage and current rating and type. **DO NOT** use repaired fuses or short-circuited fuseholders.

Keep away from live circuits: Operating personnel must not remove equipment covers or shields. Procedures involving the removal of covers or shields are for use by service-trained personnel only. Under certain conditions, dangerous voltages may exist even with the equipment switched off. To avoid dangerous electrical shock, **DO NOT** perform procedures involving cover or shield removal unless you are qualified to do so.

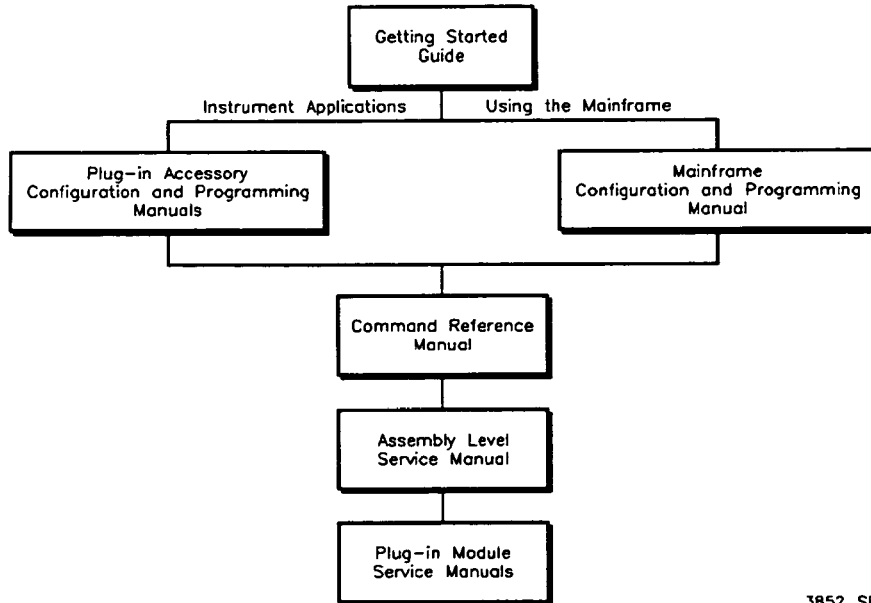
DO NOT operate damaged equipment: Whenever it is possible that the safety protection features built into this product have been impaired, either through physical damage, excessive moisture, or any other reason, **REMOVE POWER** and do not use the product until safe operation can be verified by service-trained personnel. If necessary, return the product to a Hewlett-Packard Sales and Service Office for service and repair to ensure that safety features are maintained.

DO NOT service or adjust alone: Do not attempt internal service or adjustment unless another person, capable of rendering first aid and resuscitation, is present.

DO NOT substitute parts or modify equipment: Because of the danger of introducing additional hazards, do not install substitute parts or perform any unauthorized modification to the product. Return the product to a Hewlett-Packard Sales and Service Office for service and repair to ensure that safety features are maintained.

HP 3852A Service Documentation

Suggested Sequence to Use Manuals



3852_SEQ

Manual Descriptions

Getting Started Guide. Contains step-by-step instructions for configuring the mainframe, along with an introduction to operating and programming the mainframe.

HP 3852A Mainframe Configuration and Programming Guide. Contains detailed information about operating and programming the mainframe.

HP 3852A Command Reference Manual. Contains an alphabetic listing of all commands associated with the mainframe and plug-in accessories.

HP 3852A Plug-in Accessories Configuration and Programming Manuals. Contains plug-in module configuration and wiring information, and information on commands that apply to the specific accessory.

HP 3852A Assembly Level Service Manual. Contains service information for the mainframe and most plug-in accessories. Information about verification tests, adjustments, repair, and user-replaceable parts is included.

Plug-in Module Service Manuals. Some plug-in accessories have Service Manuals that are separate from the *HP 3852A Assembly Level Service Manual*. Depending on the plug-in accessory, information about verification tests, adjustments, repair, and user-replaceable parts is included.

What's in this Manual

Manual Overview

This manual shows how to service the HP 44704A 16-Bit High-Speed Voltmeter. Consult the *HP 44702A/B and HP 44704A Configuration and Programming Manual* for additional information on installing, configuring, and operating the voltmeter. General service information for the HP 3852A Data Acquisition/Control Unit and its accessories can be found in the *HP 3852A Assembly Level Service Manual*.

Manual Content

Chap	Title	Content
1	General Information	Provides a basic description, and lists available options and accessories. Also lists the test equipment required for service.
2	Installation	Procedures for installation, initial inspection, and shipping.
3	Operating Instructions	Procedures to operate the voltmeter, perform scheduled preventive maintenance, and perform the operator's check.
4	Verification Tests	Functional verification, operation verification, and performance verification tests.
5	Adjustments	Procedures for adjusting the voltmeter to within its rated specifications.
6	Replaceable Parts	Lists part numbers for user-replaceable parts in the voltmeter. Provides information on ordering spare parts and module/assembly exchange.
7	Manual Changes	Information to adapt this manual to instruments whose serial numbers are lower than those listed on the title page.
8	Service	Procedures to aid in fault isolation and repair of the voltmeter.

Contents

Chapter 1 - General Information

Introduction	1-1
Safety Considerations	1-1
Voltmeter Description	1-3
Recommended Test Equipment	1-4

Chapter 2 - Installation

Introduction	2-1
Initial Inspection	2-1
Preparation for Use	2-1
Environment	2-2
Shipping the Voltmeter	2-2

Chapter 3 - Operating Instructions

Introduction	3-1
Multimeter Operation	3-1
Operator's Check	3-1
Self-Test Procedure	3-1

Chapter 4 - Verification Tests

Introduction	4-1
Functional Verification Tests	4-3
Self-Test Procedure	4-3
GPIO Test Procedure (Optional)	4-3
Ribbon Cable Test Procedure (Optional)	4-6
Performance Verification	4-10
Test 4-1: DC Voltage Test Procedure	4-10
Test 4-2: Ohms Test Procedure	4-17
Test 4-3: Autorange Test	4-21
Operation Verification Tests	4-23
Performance Test Record	4-23

Chapter 5 - Adjustments

Introduction	5-1
DC Voltage Adjustment Procedure	5-3
Offset Adjustment	5-3
Gain Adjustment	5-3
Ohms Adjustment Procedure	5-5
Gain Adjustment	5-5

Chapter 6 - Replaceable Parts

Introduction 6-1

Replaceable Parts List 6-1

Chapter 7 - Manual Changes

Introduction 7-1

Chapter 8 - Service

Introduction 8-1

Troubleshooting Techniques 8-2

Repair/Maintenance Guidelines 8-4

General Information

Introduction

This manual contains information required to test, adjust, troubleshoot, and repair the HP 44704A 16-Bit High-Speed Voltmeter. See the *HP 44702A/B and 44704A Configuration and Programming Manual* for additional information. Figure 1-1 shows the HP 44704A voltmeter.

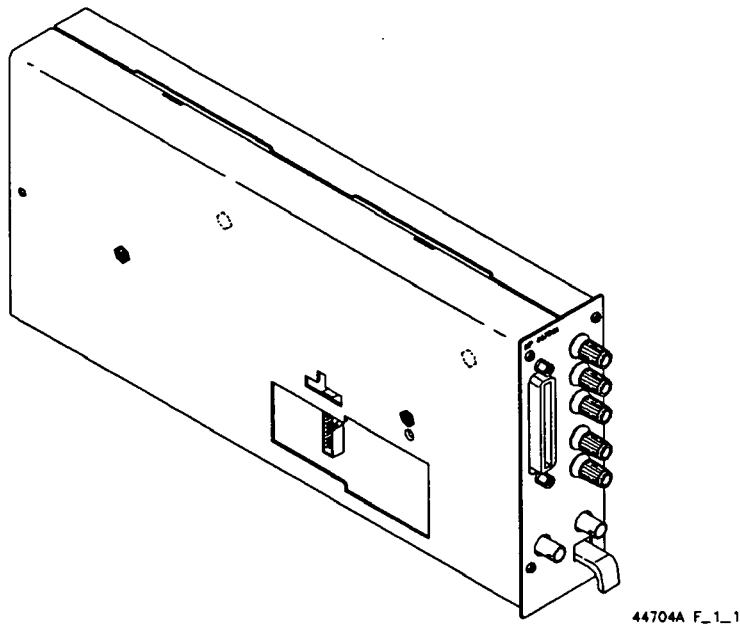


Figure 1-1. HP 44704A Voltmeter

Safety Considerations

This product is a Safety Class I instrument that is provided with a protective earth terminal when installed in the mainframe. The mainframe, voltmeter, and all related documentation should be reviewed for familiarization with safety markings and instructions before operation or service.

Refer to the WARNINGS page (page iii) in this manual for a summary of safety information. Safety information for preventive maintenance, testing, adjusting, and service follows and is also found throughout this manual.

Warnings and Cautions

This section contains **WARNINGS** which must be followed for your protection and **CAUTIONS** which must be followed to avoid damage to the equipment when performing instrument maintenance or repair.

WARNING

SERVICE-TRAINED PERSONNEL ONLY. The information in this manual is for service-trained personnel who are familiar with electronic circuitry and are aware of the hazards involved. To avoid personal injury or damage to the instrument, do not perform procedures in this manual or do any servicing unless you are qualified to do so.

CHECK MAINFRAME POWER SETTINGS. Before applying power, verify that the mainframe setting matches the line voltage and that the correct fuse is installed. An uninterruptible safety earth ground must be provided from the main power source to the mainframe input wiring terminals, power cord, or supplied power cord set.

GROUNDING REQUIREMENTS. Interruption of the protective (grounding) conductor (inside or outside the mainframe) or disconnecting the protective earth terminal will cause a potential shock hazard that could result in personal injury. (Grounding one conductor of a two-conductor outlet is not sufficient protection.)

IMPAIRED PROTECTION. Whenever it is likely that instrument protection has been impaired, the mainframe must be made inoperative and be secured against any unintended operation.

USING AUTOTRANSFORMERS. If the mainframe is to be energized via an autotransformer (for voltage reduction) make sure the common terminal is connected to neutral (that is, the grounded side of the main's supply).

CAPACITOR VOLTAGES. Capacitors inside the mainframe may remain charged even when the mainframe has been disconnected from its source of supply.

USE PROPER FUSES. For continued protection against fire hazard, replace the line fuses only with fuses of the same current rating and type (such as normal blow, time delay, etc.). Do not use repaired fuses or short-circuited fuseholders.

CAUTION

Static electricity is a major cause of component failure. To prevent damage to the electrical components in the voltmeter, observe anti-static techniques whenever working on the voltmeter.

**Voltmeter
Description**

The HP 44704A is a high-speed voltmeter capable of directly measuring DC volts and 4-wire ohms. 65,536 (64k) readings can be stored in voltmeter memory. The voltmeter can make measurements from the following sources:

- HP 3852A backplane analog bus
- Rear panel terminals
- Ribbon cable analog bus

The HP 44704A can be programmed for 13-bit, 14-bit, or 16-bit resolution. Autoranging is not allowed in 16-bit mode.

The voltmeter can be controlled through the HP 3852A backplane digital bus. The GPIO port allows measurements to be transferred directly to computer memory.

**Voltmeter
Specifications**

Voltmeter specifications are listed in Appendix A of the *HP 44702A/B and 44704A Configuration and Programming Manual*. These specifications are the performance standards or limits against which the instrument may be tested.

**Voltmeter
Serial Numbers**

Voltmeters covered by this manual are identified by a serial number prefix listed on the title page. Hewlett-Packard uses a two part serial number in the form XXXXAYYYYY, where XXXX is the serial prefix, A is the country of origin (A=USA) and YYYYY is the serial suffix. The serial number prefix identifies a series of identical instruments. The serial number suffix is assigned sequentially to each instrument.

If the serial number prefix of your instrument is greater than the one listed on the title page, a Manual Update (as required) will explain how to adapt this manual to your instrument. If the serial number prefix of your instrument is lower than the one listed on the title page, information contained in Chapter 7 (Manual Changes) will explain how to adapt this manual to your instrument.

Recommended Test Equipment

Table 1-1 lists the test equipment recommended for testing, adjusting, and servicing the voltmeter. Essential requirements for each piece of test equipment are described in the Requirements column.

Table 1-1. Recommended Test Equipment

Instrument	Requirements	Recommended Model	Use*
Controller, HP-IB	HP-IB compatibility as defined by IEEE Standard 488-1978 and the identical ANSI Standard MC1.1: SH1, AH1, T2, TE0, L2, LE0, SR0, RL0, PP0, DC0, DT0, and C1, 2, 3, 4, 5.	HP 9000 Series 300	A,O,F, P,T
Mainframe	Compatible with voltmeter	HP 3852A, Rev. 4.2 or later	A,O,F, P,T
DC Standard	Voltage Range: -10 V to +10 V Accuracy: 36 mV $\pm 0.011\%$ 300 mV $\pm 0.003\%$ 1.25 V $\pm 0.038\%$ 2.5 V $\pm 0.003\%$ 5 V $\pm 0.053\%$ 10 V $\pm 0.003\%$	Datron 4708 with Option 10	A,O, P,T
Resistance Standard	Values: 10 k Ω to 1 M Ω Accuracy: 0.006%	Datron 4708 with Option 30	A,O, P,T
Test Cables	Shielded twisted pair cables	HP part number 03498-61602	A,O,F, P,T
GPIO Interface**	Compatible with controller	HP 98622A	F
GPIO Cable**	Compatible with GPIO interface and voltmeter	HP 44744A/B	F
High-speed FET Multiplexer***	Must be one of the recommended models	HP 44711A/B HP 44712A HP 44713A/B	F
Test Fixture***	24-channel high-speed FET mux terminal module	HP 44711AT HP 44711BT	F

* F = Functional Verification, O = Operation Verification Tests,
P = Performance Verification Tests, A = Adjustments, T = Troubleshooting

** Required only if performing optional GPIO Test.

*** Required only if performing optional Ribbon Cable Test.

Introduction

This chapter provides information for installing the HP 44704A voltmeter, including:

- initial inspection
- preparation for use
- environment
- shipping

Initial Inspection

Inspect the shipping container for damage. If the shipping container or cushioning material is damaged, keep the container until the shipment contents have been checked and the instrument has been checked mechanically and electrically. See Chapter 4 for procedures to check electrical performance.

WARNING

To avoid possible hazardous electrical shock, do not perform electrical tests if there are signs of shipping damage to any portion of the outer enclosure (covers, panels, etc.).

If the contents are incomplete, if there is mechanical damage or defect, or if the instrument does not pass the electrical performance tests, notify your nearest Hewlett-Packard Sales and Service Office. If the shipping container is damaged or the cushioning material shows signs of stress, notify the carrier as well as Hewlett-Packard, and keep the shipping materials for the carrier's inspection.

Preparation for Use

See Chapter 2 of the *HP 44702A/B and HP 44704A Configuration and Programming Manual* to prepare the HP 44704A voltmeter for use. See the *HP 3852A Mainframe Configuration and Programming Manual* to prepare your mainframe.

Environment

The recommended environment for the HP 44704A voltmeter is:

Warm-up time	1 hour
Operating temperature	0° to 55°C
Storage temperature	-40° to 75°C
Operating humidity	28°C @ RH ≤ 85% 40°C @ RH ≤ 60% 55°C @ RH ≤ 25%
Altitude (operating)	4600m (15000 ft)
Altitude (storage)	15300m (50000 ft)

Shipping the Voltmeter

If you need to return the HP 44704A voltmeter to Hewlett-Packard, first remove any adapters or connectors before packaging the instrument for shipment. When you return the instrument to Hewlett-Packard, attach a tag to the instrument identifying the owner and indicating the service or repair required. In any correspondence, refer to the instrument by model number and full serial number.

When shipping the instrument, we recommend using containers and materials identical to those used in factory packaging, which are available through Hewlett-Packard Sales and Service Offices. Mark the shipping container "FRAGILE" to assure careful handling.

If you use other (commercially available) shipping materials, place the instrument in an anti-static bag, then wrap it in heavy paper or plastic. Use a strong shipping container. A double-wall carton of 2.4 MPa (350 psi) test material is adequate.

Use enough shock-absorbing material (75 to 100 mm layer; 3 to 4 inches) around all sides of the instrument to provide a firm cushion and prevent movement in the container. Protect the front panel with cardboard. Seal the shipping container securely and mark the container "FRAGILE" to assure careful handling.

Operating Instructions

Introduction

This chapter provides operating information for the HP 44704A voltmeter, including:

- Voltmeter operation
 - Operator's check (self-test)
-

Voltmeter Operation

See the *HP 44702A/B and 44704A Configuration and Programming Manual* for voltmeter operation, including:

- Introduction
 - Defining your measurement
 - Installation and checkout
 - System mode programming
 - Scanner mode programming
 - 16-bit mode operation
 - GPIO operation
 - Using read/write registers
 - Specifications
-

Operator's Check

The Operator's Check for the HP 44704A voltmeter consists of sending the self-test command and checking the response. The operator's check can be used at any time to verify that the voltmeter is connected properly and is responding to the self-test command.

Self-Test Procedure

1. Verify that the voltmeter is installed in the mainframe and that the mainframe has passed its power-on test. No input signals should be present at the voltmeter inputs.
 2. Execute the voltmeter self-test using the TEST ES00 command (where E = extender number, S = slot number).
 3. The HP 3852A right display should read SELF TEST OK. If a different message is displayed, or if the ERR annunciator is on, the voltmeter may have failed its self-test. See Chapter 8 for troubleshooting information.
-

Verification Tests

Introduction

The three levels of test procedures described in this chapter are used to verify that the HP 44704A voltmeter:

- is fully functional (Functional Verification)
- meets all testable specifications (Performance Verification)
- meets selected testable specifications (Operation Verification)

The Operation Verification tests are a subset of the Performance Verification tests, and are usually adequate for ensuring that the voltmeter is operating within its specifications.

WARNING

Do not perform any of the following verification tests unless you are a qualified, service-trained technician and have read the WARNINGS and CAUTIONS in Chapter 1.

Test Conditions/ Procedures

For valid tests, the voltmeter must have a one hour warm-up, and the voltmeter should perform an auto-zero within one minute of any measurement. Unless stated otherwise, measurements should be made from the rear terminals of the voltmeter. For best test accuracy, the ambient temperature of the test area should be between 18°C and 28°C and stable to within $\pm 1^\circ\text{C}$.

See Table 1-1, *Recommended Test Equipment*, for test equipment requirements. For adequate noise rejection, shielded twisted pair cables are recommended for all measurements. Coaxial cables are not recommended.

Test Cycle

The HP 44704A requires periodic verification to ensure that it is meeting its specifications. To maintain 90 day specifications, check the voltmeter at 90 day intervals. To maintain 1 year specifications, check the voltmeter at 1 year intervals. For normal operation, a 90 day test cycle is recommended.

Performance Test Record

Tables 4-5 and 4-6, at the end of this chapter, provide space to enter the results of each Performance Verification test and to compare the results with the upper and lower limits for the test. Both 1 year (Table 4-5) and 90 day (Table 4-6) versions of the test record are included. You can make a copy of these forms, if desired. If Operation Verification tests are performed, use the Performance Test Record, leaving blank any sections that do not apply.

The value in the Measurement Uncertainty column is derived from the specifications of the source used for the test, and represents the expected accuracy of the source. The value in the "Test Accuracy Ratio (TAR)" column is the ratio of voltmeter accuracy to measurement uncertainty.

Verification Test Examples

Most verification test procedures include an example program that performs the test. All example programs assume that the mainframe address is 709, and that the voltmeter is installed in slots 1 and 2. The programs are written for an HP 9000 Series 200/300 computer running HP BASIC.

Functional Verification Tests

The procedures in this section are used to quickly verify that the HP 44704A is functioning. The self-test should be performed anytime the user wants to verify that the HP 44704A is connected properly and is responding to basic commands. The GPIO Test and the Ribbon Cable Test are optional, and should only be performed if applicable to the voltmeter's intended use.

Self-Test Procedure

This test verifies that the voltmeter is communicating with the mainframe and external controller by performing a voltmeter self-test. See Chapter 3 for the self-test procedure.

GPIO Test Procedure (Optional)

This test verifies that the voltmeter can transfer readings over the GPIO interface. The voltmeter receives a word, then echoes the word in inverted and non-inverted form.

NOTE

This test is only necessary if the voltmeter is going to be used to transfer readings over the GPIO interface.

1. Verify that the HP 98622A GPIO Interface card is configured as shown in Figure 4-1(a).
2. Remove power from the HP 3852A mainframe.
3. Connect the GPIO cable between the HP 44704A and the computer as shown in Figure 4-1(b).
4. Apply power to the HP 3852A mainframe.
5. RUN the test program that follows. The program will display a pass or fail message on the computer screen.

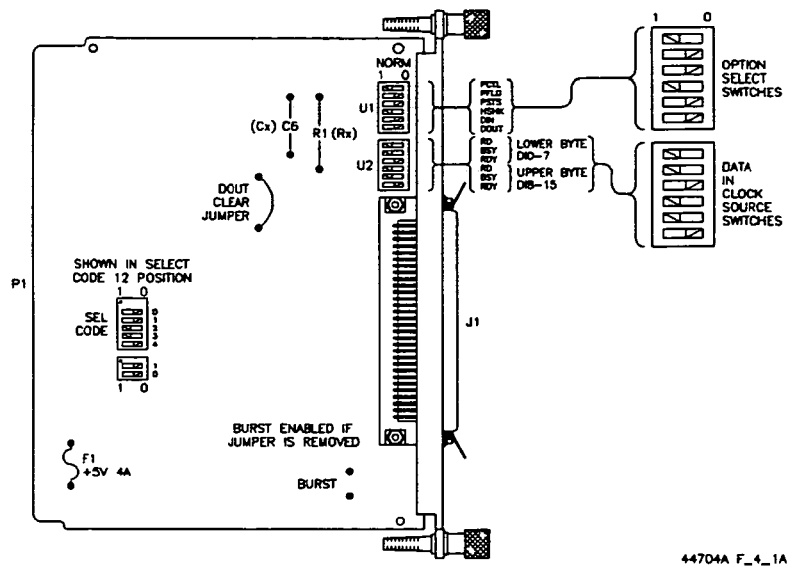


Figure 4-1(a). HP 98622A Configuration for GPIO Test

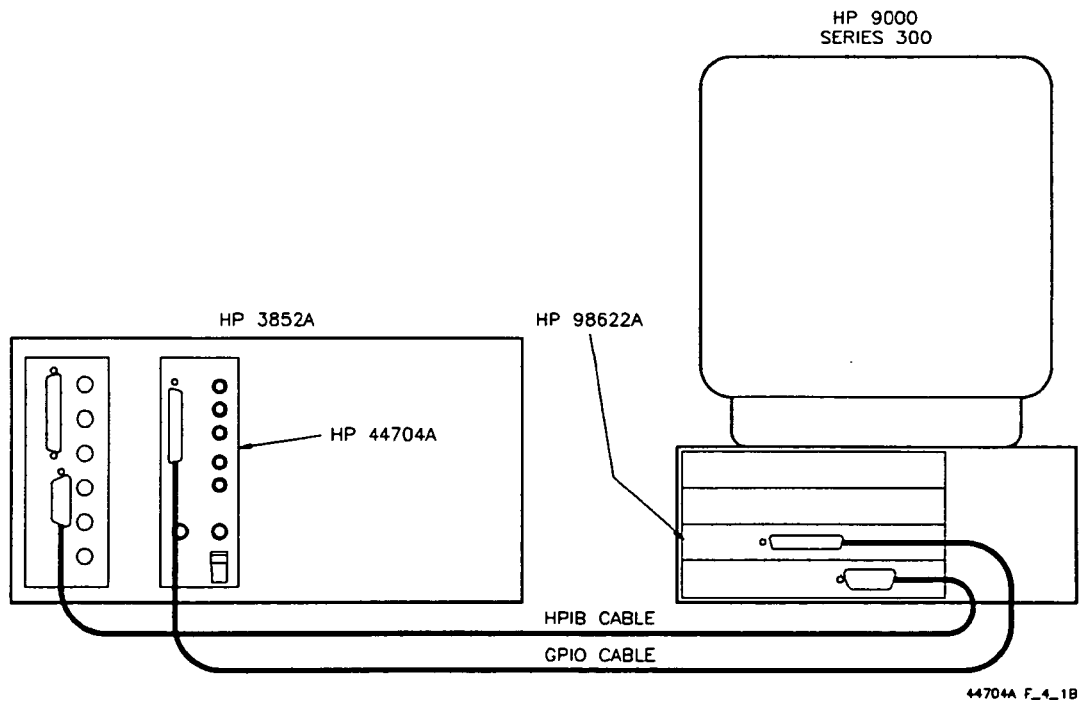


Figure 4-1(b). GPIO Test Setup

GPIO Test Program

This program performs a GPIO test. The voltmeter echoes a word in inverted and non-inverted form. Change line 40 if the address of your GPIO interface card is not 12.

```
10 REAL Test_word,Not_test_word,Inverted,Non_inverted
20 INTEGER Gpio,Failed
30 !
40 Gpio = 12
50 Failed = 0
60 Test_word = 21846
70 Not_test_word = -21847
80 !
90 CONTROL Gpio,2;5
100 OUTPUT Gpio USING "#,W";3           Register 3
110 CONTROL Gpio,2;4
120 OUTPUT Gpio USING "#,W";193       Send echo command
130 WAIT .1
140 !
150 CONTROL Gpio,2;5
160 OUTPUT Gpio USING "#,W";2         Register 2
170 CONTROL Gpio,2;4
180 OUTPUT Gpio USING "#,W";Test_word Send test word
190 WAIT .1
200 !
210 CONTROL Gpio,2;5
220 OUTPUT Gpio USING "#,W";2
230 CONTROL Gpio,2;4
240 ENTER Gpio USING "#,W";Inverted   Echo inverted test word
250 WAIT .1
260 !
270 CONTROL Gpio,2;5
280 OUTPUT Gpio USING "#,W";2
290 CONTROL Gpio,2;4
300 ENTER Gpio USING "#,W";Non_inverted Echo original test word
310 !
320 IF Non_inverted < > Test_word THEN Failed = 1
330 IF Inverted < > Not_test_word THEN Failed = 1
340 !
350 IF Failed THEN
360     PRINT "HP 44704A's GPIO failed to echo data properly."
370     PRINT "Inverted = ",Inverted
380     PRINT "Non-inverted = ",Non_inverted
390     PRINT "This test is complete."
```

```
400 ELSE
410   PRINT "Inverted = ",Inverted
420   PRINT "Non-inverted = ",Non_inverted
430   PRINT "HP 44704A passed the GPIO Test."
440   PRINT "This test is complete."
450 END IF
460 END
```

Ribbon Cable Test Procedure (Optional)

This test verifies that measurements can be transferred to the voltmeter over the ribbon cable using a high-speed FET multiplexer. Any of the following component modules can be used: HP 44711A, HP 44712A, HP 44713A, HP 44711B, or HP 44713B. A test fixture, which can be manufactured using an HP 44711A/B terminal module, is required for this test.

NOTE

This test is only necessary if the voltmeter will be used with a high-speed FET multiplexer.

1. Configure the HP 44711A/B terminal module as shown in Figure 4-2(a) and Figure 4-2(b). On the test fixture, connect a jumper between the shorted HIGH lines and the shorted LOW lines.
2. Remove power from the HP 3852A mainframe.
3. Install the FET multiplexer component module in the mainframe next to the voltmeter. Connect the ribbon cable between the FET multiplexer and the voltmeter as shown in Figure 4-3. Note the slot numbers where the modules are installed.
4. Install the test fixture on the FET multiplexer.
5. Apply power to the HP 3852A mainframe.
6. Set up the voltmeter as follows:

USE ES00 (where E = extender, S = voltmeter slot number)
FASTDISP OFF
SCANMODE ON
TERM RIBBON

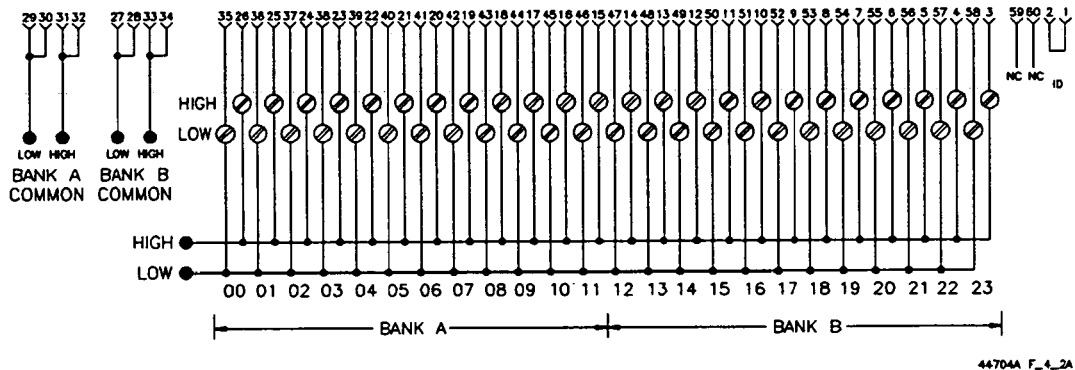


Figure 4-2(a). HP 44711A/B Test Fixture Schematic

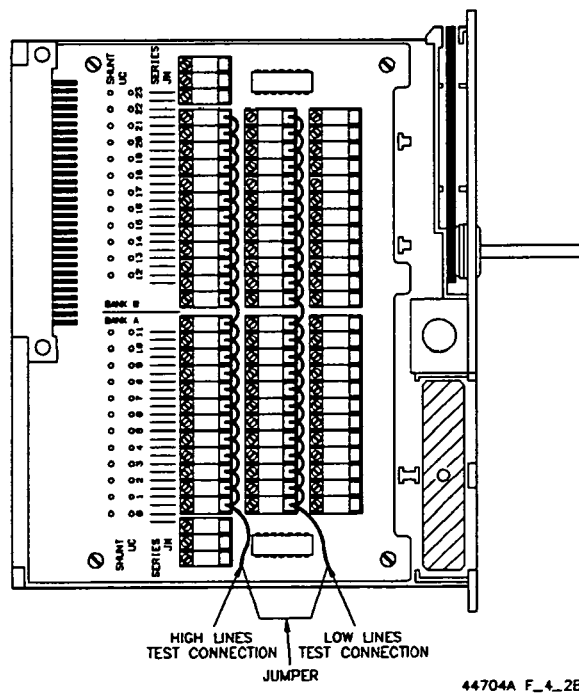


Figure 4-2(b). HP 44711A/B Test Fixture

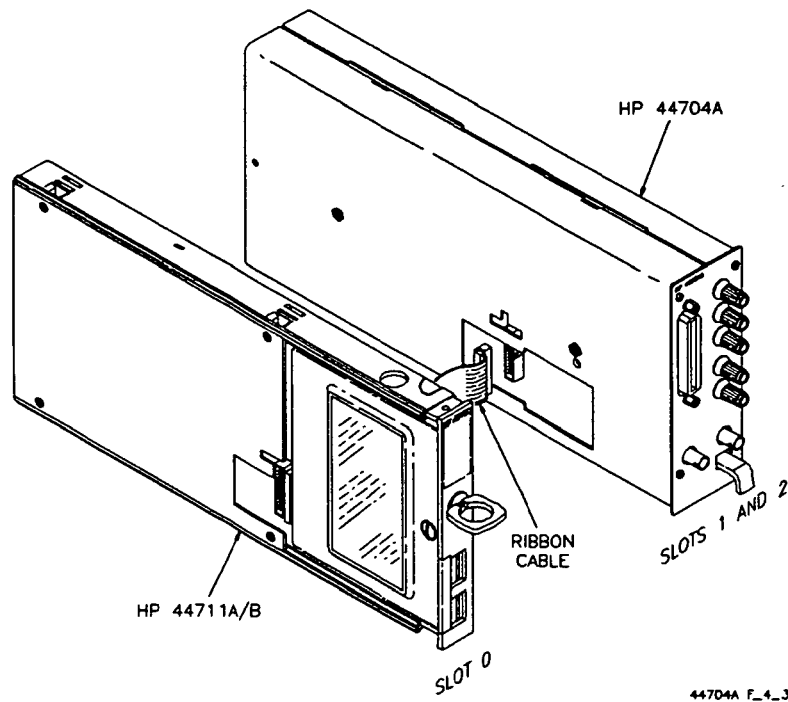


Figure 4-3. Ribbon Cable Test Setup

7. Enter the following command to perform the measurements:

CONFMEAS OHM ES00-ES23

where E = extender number, S = FET mux slot number.

8. Each measurement will be shown in the HP 3852A right display. The left display will indicate each channel as it is scanned. Verify that the resistance of each channel is less than 6.2 k Ω . This resistance will include the on-resistances of the channel FET switch and the tree FET switch, and the resistance of the series protection resistors.

NOTE

If the FET multiplexer component module is an HP 44711B or an HP 44713B, the resistance for all channels should be less than 2.6 k Ω .

9. Remove the FET multiplexer from the HP 3852A mainframe when finished. If the test fails, the voltmeter, multiplexer, or ribbon cable may need repair. Test the multiplexer and ribbon cable and check test fixture wiring before assuming that the voltmeter is not working correctly.

Example: Ribbon Cable Test

This program performs the Ribbon Cable Test. The resistance of each channel will be displayed on the computer screen. Change the mainframe address (line 20), and/or the voltmeter slot number (line 30) if necessary. If you are using an HP 44711B or HP 44713B component module, change line 70 to $\text{Limit}=2.6\text{E}+3$.

```
10 DIM Rdgs(0:23)
20 Addr = 709
30 Slot = 100
40 Mux = Slot - 100
50 First = Mux
60 Last = Mux + 23
70 Limit = 6.2E + 3
80 !
90 OUTPUT Addr;"RST" Reset mainframe
100 OUTPUT Addr;"USE "&VAL$(Slot)
110 OUTPUT Addr;"RST "&VAL$(Slot) Reset voltmeter
120 OUTPUT Addr;"DIM A(24);SCANMODE ON;TERM RIBBON"
130 OUTPUT Addr;"CONFMEAS OHM "&VAL$(First)&"-&VAL$(Last)&"
    INTO A"
140 OUTPUT Addr;"VREAD A" Transfer readings to computer
150 ENTER Addr;Rdgs(*)
160 !
170 FOR I = 0 TO 23 Display readings
180     PRINT USING "8A,2D,11A,D.5DE";"Channel ";I;" reading = ";Rdgs(I)
190 NEXT I
200 PRINT
210 !
220 Max_rdg = MAX(Rdgs(*))
230 IF Max_rdg > = Limit THEN
240     PRINT "Test failed -- highest reading was ";Max_rdg
250 ELSE
260     PRINT "Test passed"
270 END IF
280 END
```

Performance Verification

The procedures in this section are used to test the electrical performance of the voltmeter using the specifications in Appendix A of the *HP 44702A/B and HP 44704A Configuration and Programming Manual* as the performance standards. These tests are suitable for incoming inspection, troubleshooting, and preventive maintenance.

Performance tests for the HP 44704A include:

- DC Voltage Test
- Ohms Test
- Autorange Test

Test 4-1: DC Voltage Test Procedure

The purpose of this test is to verify DC voltage accuracy on all four ranges with inputs at 0 V and at full-scale. Linearity will also be verified at the 10.24 V range.

DC Voltage Offset Test

1. Connect a low thermal short (copper wire) across the front panel HI and LO input terminals and across the LO and CHASSIS terminals as shown in Figure 4-4.

2. Specify the voltmeter slot number:

USE ES00 (where E = extender number, S = slot number)

3. Set the voltmeter to measure DC volts and take 1000 readings:

RST ES00 (where E = extender number, S = slot number)
REAL MIN,MAX,MEAN,STDD
DIM A(999)
TERM EXT
NRDGS 1000
FUNC DCV

4. Set the voltmeter to the 40 mV range:

RANGE .04

5. Set voltmeter resolution to 16 bits:

RESOL 16

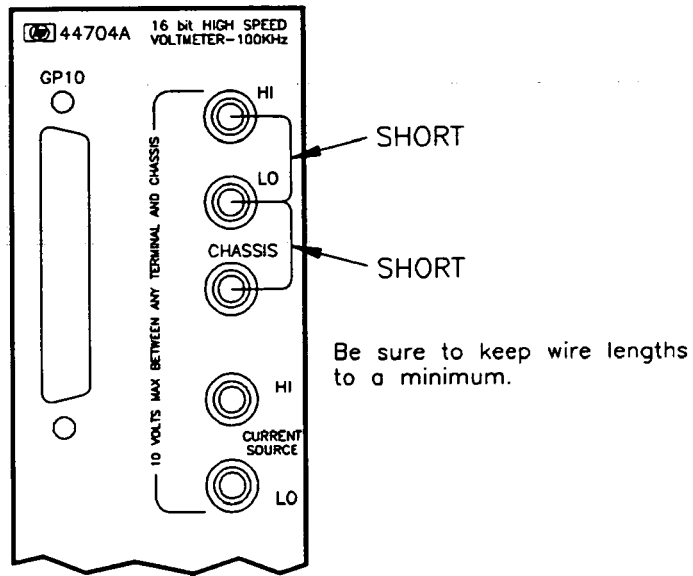


Figure 4-4. DC Voltage Offset Test Setup

6. Trigger the voltmeter and transfer the readings to the HP 3852A:

```
TRIG SGL
XRDGS ES00,1000 INTO A
```

where E = extender number, S = slot number.

7. Determine the minimum and maximum values of the readings as follows. On the HP 3852A right display, the minimum value will be shown first, followed by the maximum value. Note both values.

```
STAT MIN,MAX,MEAN,STDD,A
VREAD MIN (note the minimum reading)
VREAD MAX (note the maximum reading)
```

8. Repeat steps 4 through 7 for the 320 mV, 2.56 V, and 10.24 V ranges. Use the appropriate command below to set the voltmeter range:

```
320 mV Range - RANGE .32
2.56 V Range - RANGE 2.56
10.24 V Range - RANGE 10.24
```

9. Remove the low thermal shorts from the voltmeter input terminals. If any of the readings are not within the limits shown in Table 4-1, perform the DC voltage calibration procedure in Chapter 5.

**DC Voltage
Gain Test**

1. Connect the DC Standard to the voltmeter terminals as shown in Figure 4-5.

2. Specify the voltmeter slot number:

USE ES00 (where E = extender number, S = slot number)

3. Set the voltmeter to measure DC volts and take 1000 readings:

RST ES00 (where E = extender number, S = slot number)
REAL MIN,MAX,MEAN,STDD
DIM A(999)
TERM EXT
NRDGS 1000
FUNC DCV

4. Set the DC Standard to 36 mV.

5. Set the voltmeter to the 40 mV range:

RANGE .04

6. Set voltmeter resolution to 16 bits:

RESOL 16

7. Trigger the voltmeter and transfer the readings to the HP 3852A:

TRIG SGL
XRDGS ES00,1000 INTO A

where E = extender number, S = slot number

8. Determine the minimum and maximum values of the readings as follows. On the HP 3852A right display, the minimum value will be shown first, followed by the maximum value. Note both values.

STAT MIN,MAX,MEAN,STDD,A
VREAD MIN (note the minimum reading)
VREAD MAX (note the maximum reading)

9. Repeat steps 7 and 8 for an input of -36 mV.

10. Repeat steps 4 through 9 for the 320 mV, 2.56 V, and 10.24 V ranges. Use the appropriate command below to set the voltmeter range:

320 mV Range - RANGE .32 (inputs of +/- 300 mV)

2.56 V Range - RANGE 2.56 (inputs of +/- 2.5 V)

10.24 V Range - RANGE 10.24 (inputs of +/- 10 V)

11. If any of the readings are not within the limits shown in Table 4-1, perform the DC voltage calibration procedure in Chapter 5.

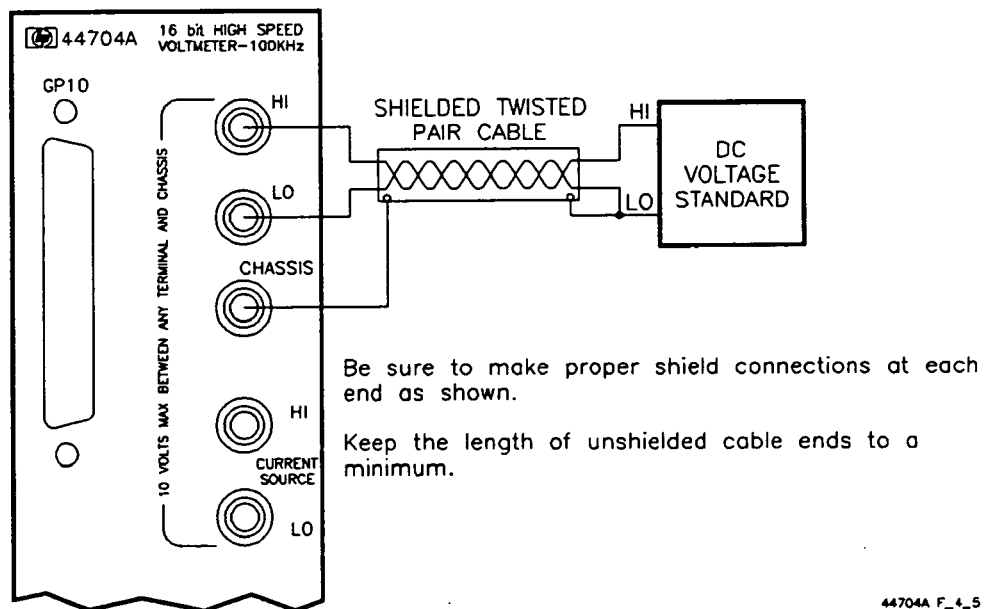


Figure 4-5. DC Voltage Gain/Linearity Test Setup

DC Voltage Linearity Test

1. Connect the DC Standard to the voltmeter terminals as shown in Figure 4-5.

2. Specify the voltmeter slot number:

USE ES00 (where E = extender number, S = slot number)

3. Set the voltmeter to measure DC volts and take 1000 readings:

RST ES00 (where E = extender number, S = slot number)
REAL MIN,MAX,MEAN,STDD
DIM A(999)
TERM EXT
NRDGS 1000
FUNC DCV

4. Set the voltmeter to the 10.24 V range:

RANGE 10.24

5. Set voltmeter resolution to 16 bits:

RESOL 16

6. Set the DC Standard to 5 V.

7. Trigger the voltmeter and transfer the readings to the HP 3852A:

TRIG SGL
XRDGS ES00,1000 INTO A

where E = extender number, S = slot number

8. Determine the minimum and maximum values of the readings as follows. On the HP 3852A right display, the minimum value will be shown first, followed by the maximum value. Note both values.

STAT MIN,MAX,MEAN,STDD,A
VREAD MIN (note the minimum reading)
VREAD MAX (note the maximum reading)

9. Repeat steps 6 through 8 for inputs of 2.5 V and 1.25 V.

10. If any of the readings are not within the limits shown in Table 4-1, perform the DC voltage calibration procedure in Chapter 5.

Table 4-1. DC Voltage Performance Test Limits

DC Voltage Offset Test Limits						
HP 44704A Input	HP 44704A Range	HP 44704A Set-Up	90 Day Test Limits		1 Year Test Limits	
			High	Low	High	Low
Short	40 mV	FUNC DCV	0.0000300	- 0.0000300	0.0000300	- 0.0000300
Short	320 mV	FUNC DCV	0.0000500	- 0.0000500	0.0000500	- 0.0000500
Short	2.56 V	FUNC DCV	0.0003400	- 0.0003400	0.0003400	- 0.0003400
Short	10.24 V	FUNC DCV	0.0013500	- 0.0013500	0.0013500	- 0.0013500
DC Voltage Gain Test Limits						
HP 44704A Input	HP 44704A Range	HP 44704A Set-Up	90 Day Test Limits		1 Year Test Limits	
			High	Low	High	Low
+ 36 mV	40 mV	FUNC DCV	0.0360408	0.0359592	0.0360426	0.0359574
- 36 mV	40 mV	FUNC DCV	- 0.0359592	- 0.0360408	- 0.0359574	- 0.0360426
+ 300 mV	320 mV	FUNC DCV	0.3000950	0.2999050	0.3001100	0.2998900
- 300 mV	320 mV	FUNC DCV	- 0.2999050	- 0.3000950	- 0.2998900	- 0.3001100
+ 2.5 V	2.56 V	FUNC DCV	2.5007150	2.4992850	2.5008400	2.4991600
- 2.5 V	2.56 V	FUNC DCV	- 2.4992850	- 2.5007150	- 2.4991600	- 2.5008400
+ 10 V	10.24 V	FUNC DCV	10.0028500	9.9971500	10.0033500	9.9966500
- 10 V	10.24 V	FUNC DCV	- 9.9971500	- 10.0028500	- 9.9966500	- 10.0033500
DC Voltage Linearity Test Limits						
HP 44704A Input	HP 44704A Range	HP 44704A Set-Up	90 Day Test Limits		1 Year Test Limits	
			High	Low	High	Low
+ 5 V	10.24 V	FUNC DCV	5.0021000	4.9979000	5.0023500	4.9976500
+ 2.5 V	10.24 V	FUNC DCV	2.5017250	2.4982750	2.5018500	2.4981500
+ 1.25 V	10.24 V	FUNC DCV	1.2515375	1.2484625	1.2516000	1.2484000

Example: DCV Test

This program performs the DC Voltage Offset, Gain, and Linearity tests. Change the mainframe address (line 30) and/or voltmeter slot number (line 40) if necessary.

```
10  OPTION BASE 1
20  DIM Range(15),Volt(15)
30  Addr = 709
40  Slot = 100
60  DATA .04,.32,2.56,10.24,.04,.04,.32,.32,2.56,2.56,10.24,10.24
70  DATA 10.24,10.24,10.24
80  READ Range(*)
90  DATA 0,0,0,0,.036,-.036,.3,-.3,2.5,-2.5,10,-10
100 DATA 5,2.5,1.25
110 READ Volt(*)
120 !
130 OUTPUT Addr;"USE "&VAL$(Slot)
140 OUTPUT Addr;"RST "&VAL$(Slot)           Reset voltmeter
150 OUTPUT Addr;"REAL MIN,MAX,MEAN,STDD"
160 OUTPUT Addr;"DIM A(999);TERM EXT;NRDGS 1000;FUNC DCV"
170 DISP "Connect low thermal short to voltmeter, then press 'Continue'"
180 PAUSE
190 DISP
200 !
210 FOR I = 1 TO 15
220   IF I = 5 THEN
230     DISP "Set DC Standard to ";Volt(I);"Volts, then press 'Continue'"
240     PAUSE
250     DISP
260   END IF
270   OUTPUT Addr;"RANGE "&VAL$(Range(I))   Set range
280   OUTPUT Addr;"RESOL 16"               16-bit resolution
290   OUTPUT Addr;"TRIG SGL"               Trigger the voltmeter
300   OUTPUT Addr;"XRDGS "&VAL$(Slot)&" ,1000 INTO A"
310   OUTPUT Addr;"STAT MIN,MAX,MEAN,STDD,A"
320   OUTPUT Addr;"VREAD MIN"
330   ENTER Addr;Min_rdg
340   OUTPUT Addr;"VREAD MAX"
350   ENTER Addr;Max_rdg
360   PRINT "Min reading = ";Min_rdg
370   PRINT "Max reading = ";Max_rdg
380   PRINT
390 NEXT I
400 END
```

Test 4-2: Ohms Test Procedure

The purpose of this test is to verify accuracy of ohms measurements. Depending on the resistance values of your Resistance Standard, you can use values of 10 k Ω , 100 k Ω , and 1 M Ω , or values of 3 k Ω , 30 k Ω , and 300 k Ω . Standard resistors can also be used, as long as they they meet the accuracy requirements listed in Table 1-1.

1. Connect the Resistance Standard to the voltmeter terminals as shown in Figure 4-6.

2. Specify the voltmeter slot number:

USE ES00 (where E = extender number, S = slot number)

3. Set up the voltmeter to take a single reading:

RESET ES00 (where E = extender number,S = slot number)
TERM EXT
NRDGS 1

4. Set the voltmeter to measure ohms using the 1 mA current source and the 10 k Ω range:

FUNC OHMF10K 10E3

5. Set the Resistance Standard to 10 k Ω or 3 k Ω .

6. Set voltmeter resolution to 16 bits:

RESOL 16

7. Trigger the voltmeter and transfer the reading to the HP 3852A (note the reading on the display):

TRIG SGL
XRDGS ES00,1

where E = extender number, S = slot number.

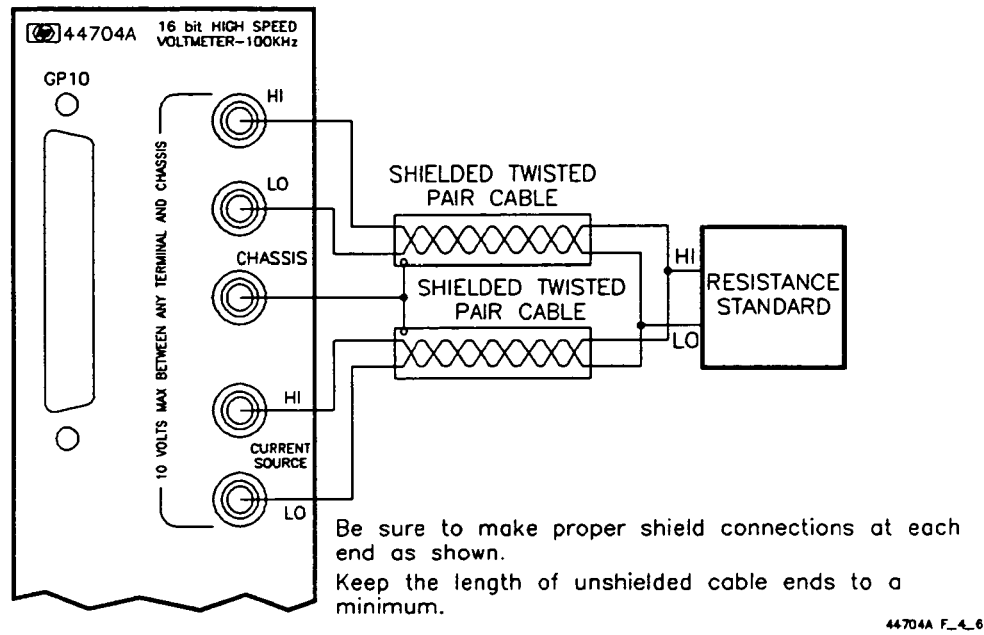


Figure 4-6. Ohms Test Setup

8. Set the voltmeter to measure ohms using the 100 μ A current source and the 100 k Ω range:

FUNC OHMF100K 100E3

9. Set the Resistance Standard to 100 k Ω or 30 k Ω .
10. Trigger the voltmeter and transfer the reading to the HP 3852A (note the reading on the display):

TRIG SGL
XRDGS ES00,1

where E = extender number, S = slot number.

- Set the voltmeter to measure ohms using the 10 μ A current source and the 1 M Ω range:

FUNC OHMF1M 1E6

- Set the Resistance Standard to 1 M Ω or 300 k Ω .
- Trigger the voltmeter and transfer the reading to the HP 3852A (note the reading on the display):

TRIG SGL
XRDGS ES00,1

where E = extender number, S = slot number.

- If any of the readings are not within the limits specified in Table 4-2, perform the ohms calibration procedure in Chapter 5.

Table 4-2. Ohms Performance Test Limits

HP 44704A Input	HP 44704A Range	HP 44704A Set-Up	90 Day Test Limits		1 Year Test Limits	
			High	Low	High	Low
10 k Ω *	10.24 k Ω	OHMF10K	10005.8	9994.2	10006.8	9993.2
3 k Ω	10.24 k Ω	OHMF10K	3003.0	2997.0	3003.3	2996.7
100 k Ω *	102.4 k Ω	OHMF100K	100058.0	99942.0	100068.0	99932.0
30 k Ω	102.4 k Ω	OHMF100K	30030.0	29970.0	30033.0	29967.0
1 M Ω *	1.024 M Ω	OHMF1M	1000580.0	999420.0	1000680.0	999320.0
300 k Ω	1.024 M Ω	OHMF1M	300300.0	299700.0	300330.0	299670.0

* Preferred Resistance Values

Example: Ohms Test

This program performs the Ohms Test. Change the mainframe address (line 30) and/or the voltmeter slot number (line 40) if necessary.

```
10  OPTION BASE 1
20  DIM Func$(3)[10],Range(3)
30  Addr= 709
40  Slot= 100
50  !
60  DATA OHMF10K,OHMF100K,OHMF1M
70  DATA 10E3,100E3,1E6
80  READ Func$(*)
90  READ Range(*)
100 !
110 OUTPUT Addr;"USE "&VAL$(Slot)
120 OUTPUT Addr;"RESET "&VAL$(Slot)      Reset voltmeter
130 OUTPUT Addr;"TERM EXT"
140 OUTPUT Addr;"NRDGS 1"
150 FOR I = 1 TO 3
160   DISP "Set input to ";Range(I);" ohms, then press 'Continue'"
170   PAUSE
180   DISP
190   OUTPUT Addr;"FUNC "&Func$(I)&" "&VAL$(Range(I))
200   IF I = 1 THEN OUTPUT Addr;"RESOL 16"   16-bit resolution
210   OUTPUT Addr;"TRIG SGL"                Trigger the voltmeter
220   OUTPUT Addr;"XRDGS "&VAL$(Slot)&","1"
230   ENTER Addr;A
240   PRINT A
250 NEXT I
260 END
```

Test 4-3: Autorange Test

This test verifies the voltmeter's autoranging capability and determines the crossover points for each range. The program given on the following page continuously displays the voltmeter range on the computer while the user varies the input voltage.

1. Connect the DC Standard to the voltmeter rear terminals as shown in Figure 4-5. Set the output to +28 mV.
2. RUN the test program listed on the next page. Change the mainframe address and/or the voltmeter slot location if necessary.
3. Determine the uprange and downrange points of the voltmeter using the following procedure and compare to the values in Table 4-3.
 - a. With the HP 44704A input at +28 mV, the 40 mV range should be displayed on the computer.
 - b. While observing the range on the computer, increment the DC Standard in +2 mV steps until the range goes to 320 mV. Note the input voltage when this occurs. Verify that the uprange voltage is at or below the value listed in Table 4-3.
 - c. Decrement the DC Standard by +2 mV. The voltmeter should downrange to 40 mV.
 - d. Repeat the above steps for the 320 mV and 2.56 V ranges. Use the appropriate values in Table 4-3 for each range.

Table 4-3. HP 44704A Autorange Test

HP 44704A Range	HP 44704A Initial Input Voltage	Input Voltage Incremented by	Maximum Voltage for Upranging	Range after Upranging
40 mV	+ 28 mV	+ 2 mV	+ 36 mV	320 mV
320 mV	+ 224 mV	+ 20 mV	+ 304 mV	2.56 V
2.56 V	+ 1.8 V	+ 200 mV	+ 2.4 V	10.24 V

Autorange Test Program

This program performs the Autorange Test for the HP 44704A. The voltmeter range will be continuously displayed on the computer screen, while the user varies the input voltage. Change the mainframe address (line 30) or the voltmeter slot number (line 40) if necessary.

```
10 !AUTORANGE TEST PROGRAM FOR HP 44704A
20 !
30 Addr = 709
40 Slot = 100
50 OUTPUT Addr,"RST" Reset mainframe
60 DISP "RESETTING THE HP 3852A, PLEASE WAIT."
70 WAIT .5
80 DISP
90 OUTPUT Addr,"USE "&VAL$(Slot)&";TERM EXT;FUNC DCV;TRIG INT"
100 OUTPUT Addr,"XRDGS "&VAL$(Slot)&","1,PACK"
110 ENTER Addr USING "%,W";Packed
120 Good_flag = BINAND(Packed,-32768) Check bit 15
130 IF NOT (BIT(Good_flag,15)) THEN
140     PRINT "INPUT AMP SATURATION DETECTED BY HP 44704A."
150     PRINT "PROGRAM ABORTED."
160     STOP
170 ELSE
180     Range = SHIFT(BINAND(Packed,24576),13) Check bits 14 and 13
190 END IF
200 Sign = 1
210 IF BIT(Packed,12) THEN Sign = -1
220 Raw_mag = BINAND(Packed,4095) Strips 4 MSB's
230 IF Range = 0 THEN Volts = Raw_mag*.04/4096*Sign
240 IF Range = 1 THEN Volts = Raw_mag*.32/4096*Sign
250 IF Range = 2 THEN Volts = Raw_mag*2.56/4096*Sign
260 IF Range = 3 THEN Volts = Raw_mag*10.24/4096*Sign
270 PRINT "VOLTAGE = ",Volts
280 IF Range = 0 THEN PRINT "RANGE = 40 mV"
290 IF Range = 1 THEN PRINT "RANGE = 320 mV"
300 IF Range = 2 THEN PRINT "RANGE = 2.56 V"
310 IF Range = 3 THEN PRINT "RANGE = 10.24 V"
320 PRINT
330 WAIT 1
340 GOTO 100
350 END
```

Operation Verification Tests

The procedures in this section are a subset of the Performance Verification tests. They are designed to provide a moderate level of confidence that the instrument is meeting specifications.

Operation Verification is performed by completing the following portions of the Performance Verification tests:

Table 4-4. HP 44704A Operation Verification

Test Name	Test Point	
	Voltmeter Range	Voltmeter Input
DC Volts Offset Test	40 mV 10.24 V	short short
Gain Test	320 mV 2.56 V	300 mV 2.5 V
Ohms Test	10.24 k Ω	10.24 k Ω
Autorange	All	Same as Performance Test

Performance Test Record

The Performance Test Record for the HP 44704A Voltmeter is a form you can copy and use to record performance verification test results for the voltmeter. Table 4-5 has 90 day test limits, and Table 4-6 has 1 year test limits.

NOTE

The accuracy, measurement uncertainty, and TAR values shown in the Performance Test Record are valid ONLY for the specific test conditions, test equipment, and assumptions described. If you use different test equipment or change the test conditions, you will need to compute the specific values for your test setup.

Voltmeter Accuracy

Accuracy is defined for DC voltage and resistance measurements using the 90 day and 1 year specifications in Appendix A of the *HP 44702A/B and HP 44704A Configuration and Programming Manual*. In the Performance Test Record, the High Limit and Low Limit columns represent voltmeter accuracy for the specified test conditions.

Measurement Uncertainty

For the performance verification tests in this manual, measurement uncertainties are calculated assuming a Datron 4708 Multical Standard as the source for all measurements. The measurement uncertainty is equal to the accuracy of the Datron 4708. The uncertainties are based on 90 day accuracy specifications.

Test Accuracy Ratio (TAR)

The Test Accuracy Ratio (TAR) is calculated from (high limit - expected measurement)/measurement uncertainty. "N/A" indicates that measurement uncertainty and TAR do not apply to the measurement, as in the DC Voltage Offset Test and the Autorange Test. For the specified conditions and test equipment, all measurements for which measurement uncertainty applies have TARs that are greater than 10:1.

**Table 4-5. Performance Test Record for the HP 44704A Voltmeter (Page 2 of 4)
90 Day Test Limits**

Model _____	Report No. _____	Date _____
-------------	------------------	------------

Test Equipment Used: Description	Model No.	Trace No.	Cal Due Date
1. _____	_____	_____	_____
2. _____	_____	_____	_____
3. _____	_____	_____	_____
4. _____	_____	_____	_____
5. _____	_____	_____	_____
6. _____	_____	_____	_____
7. _____	_____	_____	_____
8. _____	_____	_____	_____
9. _____	_____	_____	_____
10. _____	_____	_____	_____
11. _____	_____	_____	_____
12. _____	_____	_____	_____
13. _____	_____	_____	_____
14. _____	_____	_____	_____
15. _____	_____	_____	_____
16. _____	_____	_____	_____
17. _____	_____	_____	_____
18. _____	_____	_____	_____
19. _____	_____	_____	_____
20. _____	_____	_____	_____

**Table 4-5. Performance Test Record for the HP 44704A Voltmeter (Page 3 of 4)
90 Day Test Limits**

Model _____ Report No. _____ Date _____

Test No.	Test Input	HP 44704A Range	Low Limit	Measured Reading*	High Limit	Meas Uncert	Test Acc Ratio
4-1. DC Voltage Test (Values in Vdc)							
Offset Test							
	Short	.04 V	- 0.0000300	_____	0.0000300	N/A	N/A
	Short	.320 V	- 0.0000500	_____	0.0000500	N/A	N/A
	Short	2.56 V	- 0.0003400	_____	0.0003400	N/A	N/A
	Short	10.24 V	- 0.0013500	_____	0.0013500	N/A	N/A
Gain Test							
	+ 36 mV	40 mV	0.0359592	_____	0.0360408	6.52E-7	> 10:1
	- 36 mV	40 mV	- 0.0360408	_____	- 0.0359592	6.52E-7	> 10:1
	+ 300 mV	320 mV	0.2999050	_____	0.3000950	2.00E-6	> 10:1
	- 300 mV	320 mV	- 0.3000950	_____	- 0.2999050	2.00E-6	> 10:1
	+ 2.5 V	2.56 V	2.4992850	_____	2.5007150	9.25E-6	> 10:1
	- 2.5 V	2.56 V	- 2.5007150	_____	- 2.4992850	9.25E-6	> 10:1
	+ 10 V	10.24 V	9.9971500	_____	10.0028500	2.80E-5	> 10:1
	- 10 V	10.24 V	- 10.0028500	_____	- 9.9971500	2.80E-5	> 10:1
Linearity Test							
	+ 5 V	10.24 V	4.9979000	_____	5.0021000	1.55E-5	> 10:1
	- 2.5 V	10.24 V	2.4982750	_____	2.5017250	9.25E-5	> 10:1
	+ 1.25 V	10.24 V	1.2484625	_____	1.2515375	6.13E-5	> 10:1

* Space is provided for minimum and maximum readings for each test point.

**Table 4-5. Performance Test Record for the HP 44704A Voltmeter (Page 4 of 4)
90 Day Test Limits**

Model _____	Report No. _____	Date _____
-------------	------------------	------------

Test No.	Test Input	HP 44704A Range	Low Limit	Measured Reading	High Limit	Meas Uncert	Test Acc Ratio
4-2. Ohms Test (Values in ohms)							
	10 kΩ*	10.24 kΩ	9994.2	_____	10005.8	0.07	> 10:1
	3 kΩ	10.24 kΩ	2997.0	_____	3003.0	0.021	> 10:1
	100 kΩ*	102.4 kΩ	99942.0	_____	100058.0	0.9	> 10:1
	30 kΩ	102.4 kΩ	29970.0	_____	30030.0	0.27	> 10:1
	1 MΩ*	1.024 MΩ	999420.0	_____	1000580.0	22	> 10:1
	300 kΩ	1.024 MΩ	299700.0	_____	300300.0	6.6	> 10:1

* Preferred resistances

Test No.	Initial Input	Increment Voltage	HP 44704A Range	Uprange Voltage	Test Limit	Meas Uncert	Test Acc Ratio
4-3. Autorange Test (Values in Vdc)							
	+28 mV	+2 mV	+40 mV	_____	≤ +36 mV	N/A	N/A
	+224 mV	+20 mV	+320 mV	_____	≤ +304 mV	N/A	N/A
	+1.8 V	+200 mV	+2.56 V	_____	≤ +2.4 V	N/A	N/A

**Table 4-6. Performance Test Record for the HP 44704A Voltmeter (Page 2 of 4)
1 Year Test Limits**

Model _____	Report No. _____	Date _____
-------------	------------------	------------

Test Equipment Used: Description	Model No.	Trace No.	Cal Due Date
1. _____	_____	_____	_____
2. _____	_____	_____	_____
3. _____	_____	_____	_____
4. _____	_____	_____	_____
5. _____	_____	_____	_____
6. _____	_____	_____	_____
7. _____	_____	_____	_____
8. _____	_____	_____	_____
9. _____	_____	_____	_____
10. _____	_____	_____	_____
11. _____	_____	_____	_____
12. _____	_____	_____	_____
13. _____	_____	_____	_____
14. _____	_____	_____	_____
15. _____	_____	_____	_____
16. _____	_____	_____	_____
17. _____	_____	_____	_____
18. _____	_____	_____	_____
19. _____	_____	_____	_____
20. _____	_____	_____	_____

**Table 4-6. Performance Test Record for the HP 44704A Voltmeter (Page 3 of 4)
1 Year Test Limits**

Model _____ Report No. _____ Date _____

Test No.	Test Input	HP 44704A Range	Low Limit	Measured Reading*	High Limit	Meas Uncert	Test Acc Ratio
4-1. DC Voltage Test (Values in Vdc)							
Offset Test							
	Short	.04 V	- 0.0000300	_____	0.0000300	N/A	N/A
	Short	.320 V	- 0.0000500	_____	0.0000500	N/A	N/A
	Short	2.56 V	- 0.0003400	_____	0.0003400	N/A	N/A
	Short	10.24 V	- 0.0013500	_____	0.0013500	N/A	N/A
Gain Test							
	+ 36 mV	40 mV	0.0359574	_____	0.0360426	6.52E-7	> 10:1
	- 36 mV	40 mV	- 0.0360426	_____	- 0.0359574	6.52E-7	> 10:1
	+ 300 mV	320 mV	0.2998900	_____	0.3001100	2.00E-6	> 10:1
	- 300 mV	320 mV	- 0.3001100	_____	- 0.2998900	2.00E-6	> 10:1
	+ 2.5 V	2.56 V	2.4991600	_____	2.5008400	9.25E-6	> 10:1
	- 2.5 V	2.56 V	- 2.5008400	_____	- 2.4991600	9.25E-6	> 10:1
	+ 10 V	10.24 V	9.9966500	_____	10.0033500	2.80E-5	> 10:1
	- 10 V	10.24 V	- 10.0033500	_____	- 9.9966500	2.80E-5	> 10:1
Linearity Test							
	+ 5 V	10.24 V	4.9976500	_____	5.0023500	1.55E-5	> 10:1
	- 2.5 V	10.24 V	2.4981500	_____	2.5018500	9.25E-5	> 10:1
	+ 1.25 V	10.24 V	1.2484000	_____	1.2516000	6.13E-5	> 10:1

* Space is provided for minimum and maximum readings for each test point.

**Table 4-6. Performance Test Record for the HP 44704A Voltmeter (Page 4 of 4)
1 Year Test Limits**

Model _____	Report No. _____	Date _____
-------------	------------------	------------

Test No.	Test Input	HP 44704A Range	Low Limit	Measured Reading	High Limit	Meas Uncert	Test Acc Ratio
4-2. Ohms Test (Values in ohms)							
	10 kΩ*	10.24 kΩ	9993.2	_____	10006.8	0.07	> 10:1
	3 kΩ	10.24 kΩ	2996.7	_____	3003.3	0.021	> 10:1
	100 kΩ*	102.4 kΩ	99932.0	_____	100068.0	0.9	> 10:1
	30 kΩ	102.4 kΩ	29967.0	_____	30033.0	0.27	> 10:1
	1 MΩ*	1.024 MΩ	999320.0	_____	1000680.0	22	> 10:1
	300 kΩ	1.024 MΩ	299670.0	_____	300330.0	6.6	> 10:1

* Preferred resistances

Test No.	Initial Input	Increment Voltage	HP 44704A Range	Uprange Voltage	Test Limit	Meas Uncert	Test Acc Ratio
4-3. Autorange Test (Values in Vdc)							
	+28 mV	+2 mV	+40 mV	_____	≤ +36 mV	N/A	N/A
	+224 mV	+20 mV	+320 mV	_____	≤ +304 mV	N/A	N/A
	+1.8 V	+200 mV	+2.56 V	_____	≤ +2.4 V	N/A	N/A

Adjustments

Introduction

This chapter contains procedures for adjusting the HP 44704A voltmeter. All adjustments are performed electrically, so manual adjustment of the voltmeter is not necessary. The voltmeter should be adjusted every 90 days or 1 year, depending on accuracy requirements.

NOTE

Adjustment procedures should be performed in the order shown in this chapter. The DC voltage adjustments must be performed before the ohms adjustment.

Adjustment Conditions/ Procedures

For valid adjustments, the HP 44704A voltmeter must have at least a 1 hour warm-up. For best accuracy, the temperature of the area where adjustments are made should be within $\pm 5^{\circ}\text{C}$ of the actual operating environment.

Equipment Required

To perform adjustments on the voltmeter, the following test equipment is required. For adequate noise rejection, only shielded twisted pair cables should be used.

1. DC Voltage Standard (Datron 4708 - Opt. 10 recommended)

Table 5-1 shows preferred and allowed values for adjusting each DC voltage range, as well as the accuracy required.

Table 5-1. DC Voltage Adjustment Requirements

HP 44704A Range	Preferred Cal Values	Permissible Cal Values	Required Accuracy
40 mV	36 mV	30 mV to 39 mV	$\pm 0.011\%$
320 mV	300 mV	240 mV to 318 mV	$\pm 0.003\%$
2.56 V	2.5 V	1.92 V to 2.5 V	$\pm 0.003\%$
10.24 V	10 V	7.68 V to 10.1 V	$\pm 0.003\%$

2. Resistance Standard (Datron 4708 - Opt. 30 recommended)

A single calibration constant is required for the ohms calibration, so only one resistance value is needed. The recommended value is 10 k Ω . However, any resistance value that falls within one of the following ranges may be used. The required accuracy is 0.006%.

240 Ω through 318 Ω
1.92 k Ω through 3.18 k Ω
7.68 k Ω through 10.1 k Ω
19.2 k Ω through 31.8 k Ω
76.8 k Ω through 101 k Ω
192 k Ω through 250 k Ω
768 k Ω through 1.01 M Ω

Calibration Error Codes

If the HP 3852A beeps after executing the CAL command, look for an error message on the HP 3852A display. The errors most likely to occur during calibration are described below. Information about other errors can be found in Appendix B of the *HP 3852A Mainframe Configuration and Programming Manual*.

ERROR 3: BAD NUMBER FORMAT - CAL XXXX (where XXXX is number entered)

This message indicates that a non-numeric character was included in the number following the CAL command.

ERROR 24: ARGUMENT OUT OF RANGE

This message indicates that the number following the CAL command was neither zero nor within 75% to 99.6% of full-scale for the range selected.

ERROR 62: CALIBRATION FAILURE

This message indicates that the voltmeter was unable to compensate for the difference between the voltage/resistance measured and the value entered with the CAL command. Use another instrument to verify that the applied input agrees with the value entered with the CAL command. Then, reset the voltmeter and repeat the procedure. If the error persists, repair of the voltmeter may be necessary.

ERROR 71: UNDEFINED WORD - XXXX (where XXXX is number entered)

This message indicates an invalid command. Check the syntax and try again.

DC Voltage Adjustment Procedure

This procedure adjusts the offset and gain calibration constants for all DC voltage ranges. Perform a self-test as described in Chapter 4 before performing the following adjustments. For gain adjustments, values listed in Table 5-1 can be substituted for the values given in the procedure.

Offset Adjustment

1. Specify the voltmeter slot location:

USE ES00 (where E = extender number, S = slot number)

2. Set up the voltmeter as follows:

RST ES00 (where E = extender number, S = slot number)
TERM EXT
FUNC DCV
TRIG SGL

NOTE

Nothing should be connected to the input terminals during this adjustment. The voltmeter connects a short internally before making the offset measurement.

3. Perform the adjustment:

CAL 0

Gain Adjustment

4. If the voltmeter has been reset or power has been removed since the offset adjustment, perform steps 1 and 2 again before continuing.

5. Connect the DC Standard as shown in Figure 5-1.

6. Set the DC Standard to +36 mV.

7. Perform the adjustment for the 40 mV range:

RANGE .036
CAL .036

8. Set the DC Standard to +300 mV.

9. Perform the adjustment for the 320 mV range:

RANGE .3
CAL .3

10. Set the DC Standard to +2.5 V.

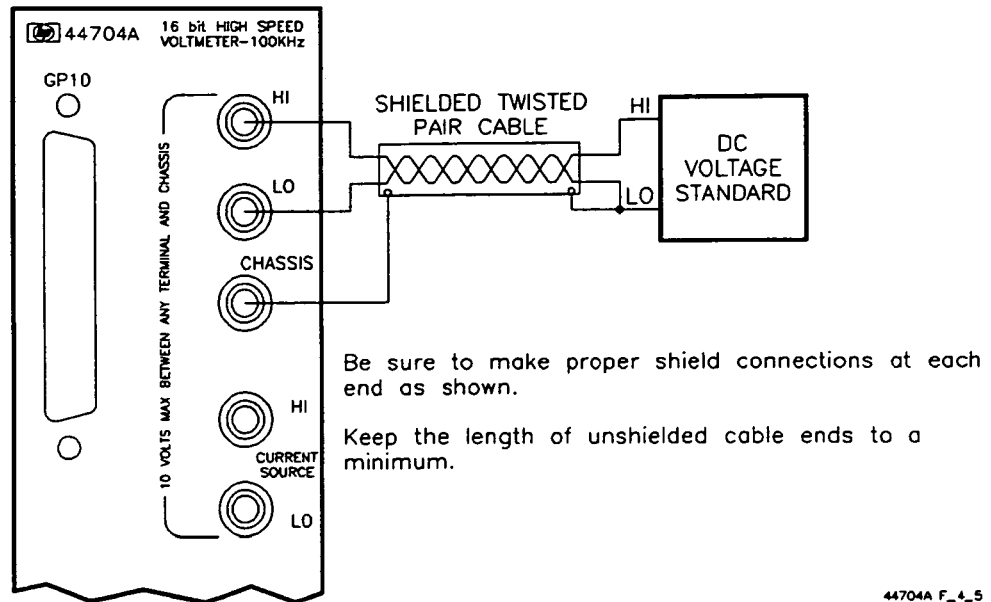


Figure 5-1. DC Voltage Gain Adjustment Setup

11. Perform the adjustment for the 2.56 V range:

RANGE 2.5
CAL 2.5

12. Set the DC Standard to +10 V.
13. Perform the adjustment for the 10.24 V range:

RANGE 10
CAL 10

14. Disconnect the DC Standard from the voltmeter terminals.

Ohms Adjustment Procedure

A single resistance value is required for ohms calibration of the HP 44704A. The recommended value is 10 k Ω , but any value within the ranges listed in the Equipment Required section of this chapter may be used. If the recommended value is not available, use the following priorities to select a resistance value:

- a. Use a value that adjusts the largest current source/lowest resistance function (i.e., 1 mA/10 kohm function).
- b. Use a value that is nearest to 99.6% of full-scale of a range.
- c. Use the highest range within a function.

Table 5-2 shows the voltmeter ohms functions and ranges, along with the allowed resistance values for the ohms gain adjustment.

Table 5-2. HP 44704A Ohms Calibration

HP 44704A Function	HP 44704A Range	Allowed Resistances
OHMF10K (1 mA source)	40 Ω 320 Ω 2.56 k Ω 10.24 k Ω	None 240 Ω - 318 Ω None 7.68 k Ω - 10.1 k Ω
OHMF100K (100 μ A source)	400 Ω 3.2 k Ω 25.6 k Ω 102.4 k Ω	None 1.92 k Ω - 3.18 k Ω None 76.8 k Ω - 101 k Ω
OHMF1M (10 μ A source)	4 k Ω 32 k Ω 256 k Ω 1.024 M Ω	None 19.2 k Ω - 31.8 k Ω 192 k Ω - 250 k Ω 768 k Ω - 1.01 M Ω

Gain Adjustment

Make sure that the DC voltage adjustments have been performed before performing the ohms adjustment.

1. Connect the Resistance Standard to the voltmeter as shown in Figure 5-2. Set the output to 10k Ω (recommended value).
2. Specify the voltmeter slot location:

USE ES00 (where E = extender number, S = slot number)

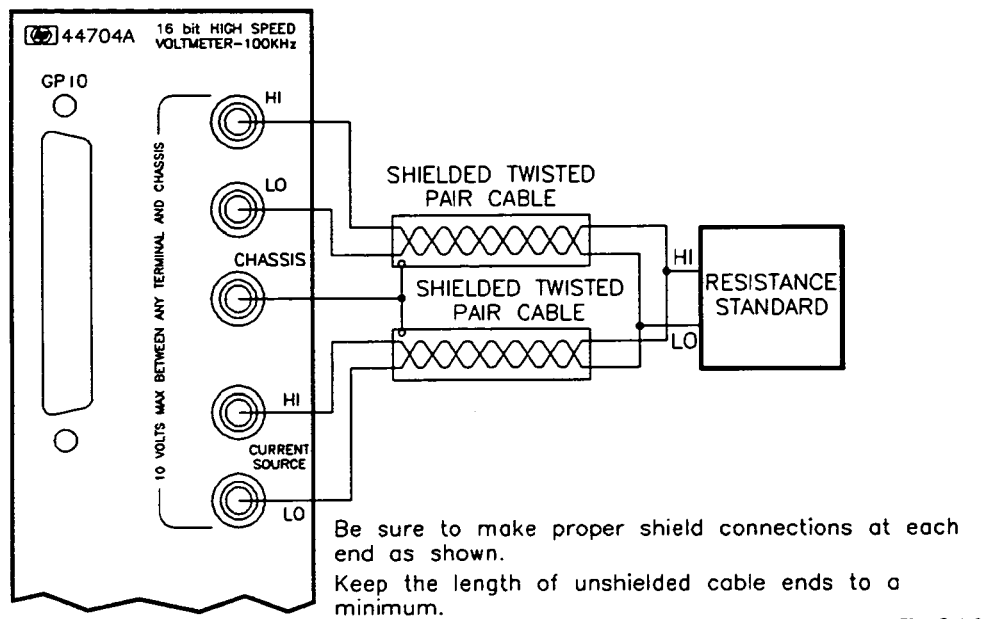


Figure 5-2. Ohms Gain Adjustment Setup

3. Set up the voltmeter as follows:

```
RST ES00 (where E = extender number, S = slot number)
TERM EXT
TRIG SGL
```

4. Select the function to be calibrated. If you are using a resistance other than 10 k Ω , select the appropriate function using Table 5-2.

```
FUNC OHMF10K
```

5. Perform the ohms adjustment as follows. If you are using a value other than 10 k Ω , substitute that value into the following commands.

```
RANGE 10E3
CAL 10E3
```

6. Disconnect the Resistance Standard from the voltmeter.

Replaceable Parts

Introduction

This chapter contains information for ordering replaceable parts for the HP 44704A voltmeter.

Exchange Assemblies

Table 6-1 lists assemblies that may be replaced on an exchange basis (EXCHANGE ASSEMBLIES). Factory-repaired and tested exchange assemblies are available only on a trade-in basis. Defective assemblies must be returned for credit. Assemblies required for spare parts stock must be ordered by the new assembly part number. Contact your nearest Hewlett-Packard Sales and Service Office for details.

Ordering Information

To order a part listed in Table 6-1, specify the Hewlett-Packard part number and the quantity required. Send the order to your nearest Hewlett-Packard Sales and Service Office.

Replaceable Parts List

Table 6-1 lists the replaceable parts for the HP 44704A voltmeter. See Figures 6-1, 6-2, and 6-3 for locations of parts listed in Table 6-1.

Table 6-1. HP 44704A Replaceable Parts

Reference* Designator	HP Part Number	Qty	Description	Mfr** Code	Mfr Part Number
			EXCHANGE ASSEMBLIES		
	44704-66201	1	VOLTMETER MODULE (NEW)	28480	44704-66201
	44704-69201	1	VOLTMETER MODULE (EXCHANGE)	28480	44704-69201
A1	44704-66501	1	PCA-HI SPD DIGITAL BRD 16 BIT [a]	28480	44704-66501
A1J6	1250-1846	1	CONNECTOR-RF 50-OHM	24931	28JR342-1
A1P1	44702-61604	1	CABLE-RBN 50 PIN,65MM LONG-PCB/SOCKET	28480	44702-61604
A1P3	44702-61603	1	CABLE-RBN 10 PIN,65MM LONG-PCB/SOCKET	28480	44702-61603
A2	44704-66502	1	PCA-HI SPD ANALOG BRD 16 BIT [a]	28480	44704-66502
A2J4	1250-1846	1	CONNECTOR-RF 50-OHM	24931	28JR342-1

(Continued on next page)

Table 6-1. HP 44704A Replaceable Parts (continued)

Reference* Designator	HP Part Number	Qty	Description	Mfr** Code	Mfr Part Number
MECHANICAL PARTS					
CVR1	44704-04101	1	COVER-LEFT SIDE	28480	44704-04101
CVR2	44704-04102	1	COVER-RIGHT ALU	28480	44704-04102
HDW1	2190-0577	5	WASHER- NO. 10 .194-IN-ID .294-IN-OD	28480	2190-0577
HDW2	2950-0001	5	NUT-HEX-DBL-CHAM 3/8-32-THD .094-IN-THK	28480	9002
HDW3	3050-0593	5	WASHER-SPR CRVD 3/8 IN .379-IN-ID	73734	3050-0593
MP1	03852-45002	1	LEVER MOLDED PU	28480	03852-45002
MP2	1510-0091	5	BINDING POST SGL SGL-TUR JGK RED	28480	1510-0091
PNL1	44704-00201	1	PNL-RR HI SPD VM	28480	44704-00201
SCW1	0515-0886	8	SCREW- X 6MM-LG -HD	28480	0515-0886
SCW2	0515-1322	4	SCREW- X 30MM-LG -HD	28480	0515-1322
SHD1	44702-00601	1	SHIELD, CNTRLR A	28480	44702-00601
STD1	5180-6650	2	STANDOFF, HEX	28480	5180-6650
W1	44702-61601	1	CBL ASSY- 11P F/F HIZ .1CNTRS,KEYED PIN 2	28480	44702-61601
W2	44702-61602	1	CBL ASSY- 6P VOLTMETER IN, .1IN C/C,KEYED	28480	44702-61602

* See Table 6-2 for Reference Designator definitions

** See Table 6-3 for Code List of Manufacturers

[a] Repair limited to replacement of parts listed - see Introduction for ordering information

Table 6-2. HP 44704A Reference Designators

HP E1410A REFERENCE DESIGNATORS	
A assembly	PNL panel
CVR cover	SCW.....screw
HDW hardware	SHD shield
J electrical connector (jack)	STD standoff
MP misc. mechanical part	Wcable, wire
P electrical connector (plug)	

Table 6-3. HP 44704A Code List of Manufacturers

Mfr Code	Manufacturer Name	Address
00000	Any satisfactory supplier	
24931	Specialty Connector Co	Franklin, IN 46131
28480	Hewlett-Packard Company	Palo Alto, CA 94304
73734	Federal Screw Products Co	Chicago, IL 60618

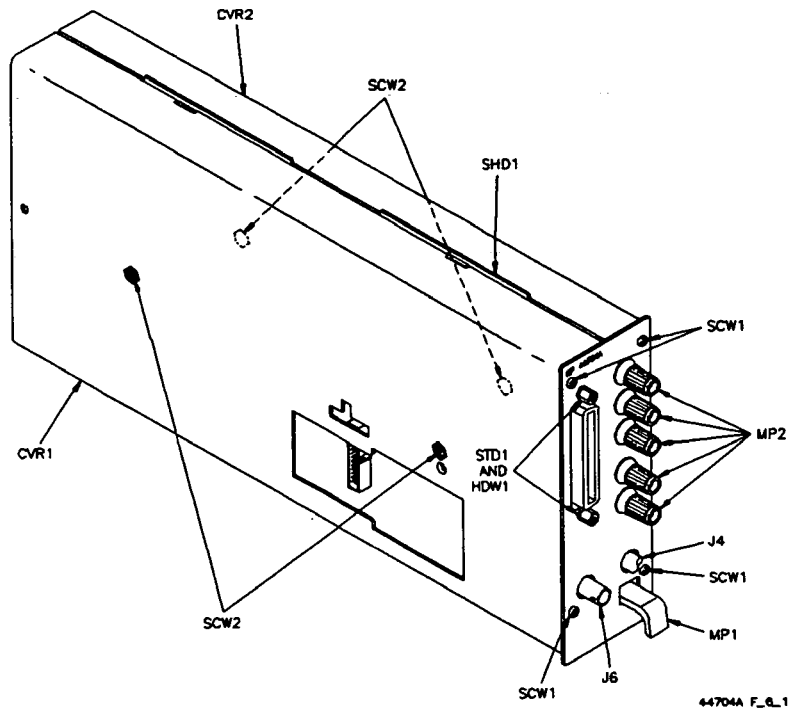


Figure 6-1. HP 44704A Replaceable Parts

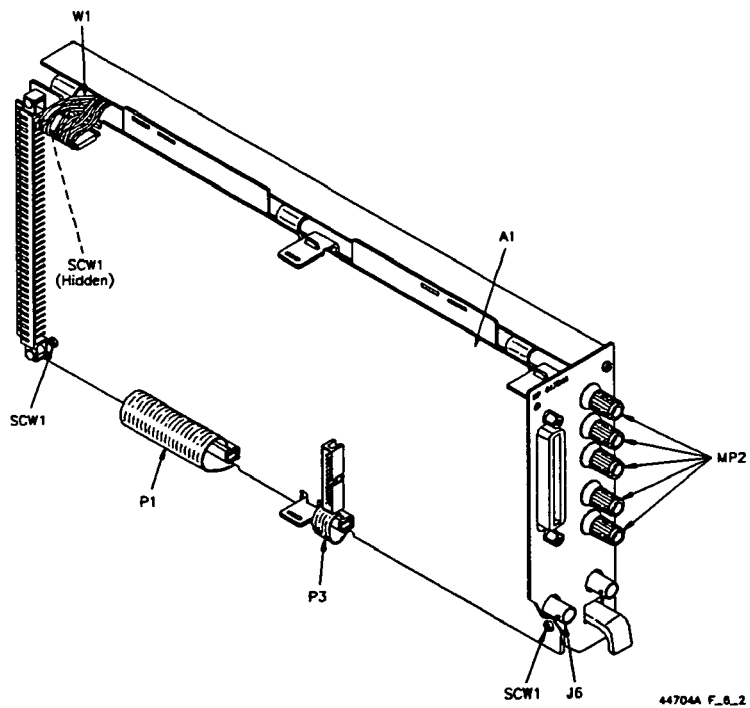


Figure 6-2. Assembly A1 Replaceable Parts

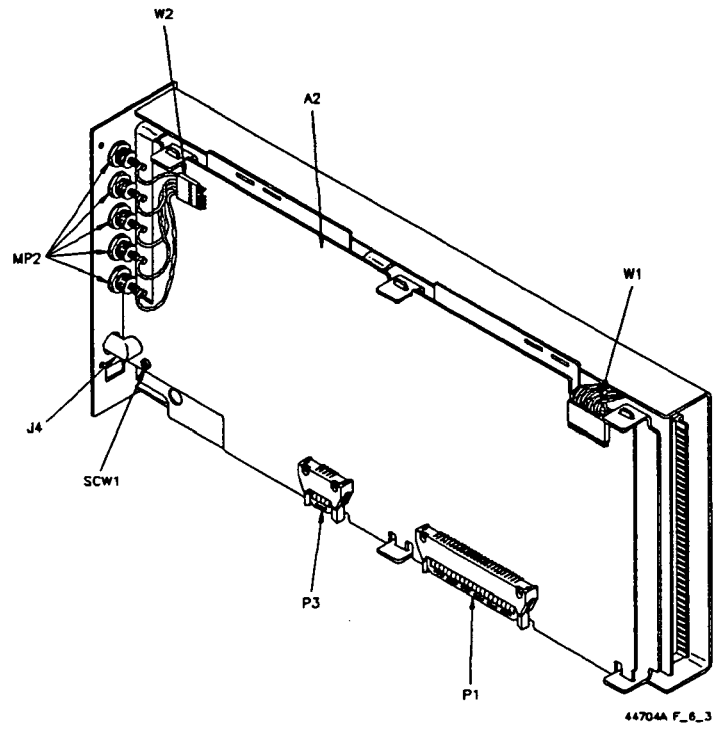


Figure 6-3. Assembly A2 Replaceable Parts

Manual Changes

Introduction

This chapter contains information to adapt this manual to instruments for which the content does not directly apply. Since this manual applies directly to instruments with serial numbers listed on the title page, change information is not required. See *Voltmeter Serial Numbers* in Chapter 1 for HP 44704A serial number information.



Introduction

This chapter contains information for servicing the HP 44704A voltmeter, including troubleshooting guidelines and repair/maintenance guidelines.

WARNING

Do not perform any of the service procedures shown unless you are a qualified, service-trained technician, and have read the WARNINGS and CAUTIONS in Chapter 1.

**Equipment
Required**

Equipment required for voltmeter troubleshooting is listed in Table 1-1, *Recommended Test Equipment*. Any equipment that satisfies the requirements listed in the table may be substituted. To avoid damage to the screw head slots, use Pozidriv drivers as specified in the instructions.

Service Aids

Service aids on printed circuit boards include pin numbers, some reference designations, and assembly part numbers. See Chapter 6 for descriptions and locations of HP 44704A replaceable parts.

Service notes, manual updates, and service literature for the HP 44704A voltmeter may be available through Hewlett-Packard. For information, contact your nearest Hewlett-Packard Sales and Service Office.

Troubleshooting Techniques

There are two main steps in troubleshooting an HP 44704A voltmeter problem: (1) identifying the problem, and (2) isolating the cause to a user-replaceable component.

Identifying the Problem

Voltmeter problems can be divided into four general categories:

- Self-test errors
- Operator errors
- Catastrophic failures
- Performance out of specification

Self-Test Errors

If the voltmeter or mainframe fails its self-test, cycle power and try again. If the error repeats, the voltmeter or mainframe may need repair. See the *HP 3852A Assembly Level Service Manual* for system troubleshooting information, including error codes.

Operator Errors

Apparent failures may result from operator errors. See Appendix B in the *HP 44702A/B and HP 44704A Configuration and Programming Manual* for information on operator errors.

Catastrophic Failures

If a catastrophic failure occurs, see "Testing Assemblies" to troubleshoot the voltmeter.

Performance Out of Specification

If the voltmeter performance is out of specification limits, use the adjustment procedures in Chapter 5 to correct the problem. If the condition repeats, see "Testing Assemblies" to troubleshoot the voltmeter.

Testing Assemblies

You can use the tests and checks in Table 8-1 to isolate the problem to a user-replaceable part. See Chapter 6 for locations of user-replaceable parts.

NOTE

If the problem cannot be traced to a user-replaceable part listed in Table 6-1, return the voltmeter to Hewlett-Packard for exchange.

Table 8-1. HP 44704A Tests/Checks

Test:	Check:
Heat Damage	Discolored PC boards Damaged insulation Evidence of arcing
Frame	Cable damage Panel binding posts Panel BNC connectors
PCAs	Cable damage Connector contacts IC contact/connections

Checking for Heat Damage

Inspect the voltmeter for signs of abnormal internally generated heat such as discolored printed circuit boards or components, damaged insulation, or evidence of arcing. If there is damage, do not operate the voltmeter until you have corrected the problem.

Voltmeter Frame

Inspect rear panel binding posts, BNC connectors, and cables. If you need to remove and/or replace the rear panel binding posts, see the appropriate section in this chapter.

A1/A2 PCAs

To check the A1 and A2 PCAs, remove mainframe power and remove the voltmeter from the mainframe. Then, disassemble the voltmeter (see "Disassembly" for instructions). See Table 8-1 for guidelines to isolate the problem to a user-replaceable part.

Repair/ Maintenance Guidelines

This section provides guidelines for repairing and maintaining the HP 44704A voltmeter, including:

- ESD precautions
- Disassembly
- Removing binding posts
- Soldering printed circuit boards
- Post-repair safety checks

ESD Precautions

Electrostatic discharge (ESD) may damage MOS, CMOS, and other static sensitive devices in the HP 44704A voltmeter. This damage can range from slight parameter degradation to catastrophic failure. When handling voltmeter assemblies, follow these guidelines to avoid damaging voltmeter components:

- Always use a static-free work station with a pad of conductive rubber or similar material when handling voltmeter components.
- After you remove an assembly from the voltmeter, place the assembly on a conductive surface to guard against ESD damage. Do not stack assemblies.

Disassembly

Perform the following steps to disassemble and reassemble the voltmeter. Refer to Figures 8-1(a) and 8-1(b) as necessary.

CAUTION

It is especially important to use anti-static procedures during the following procedure.

1. Remove the four Pozidriv screws on the voltmeter rear panel.
2. Remove the two Pozidriv screws on each side panel.
3. Remove the left and right covers. When the right cover is removed, the lever will fall out.
4. If necessary, the front panel can be removed by removing the hex standoffs and lock washers above and below the GPIO connector.
5. If necessary, the A1 and/or A2 PCAs can be removed by removing the screws that hold them in place.
6. To reassemble, repeat the above steps in reverse order.

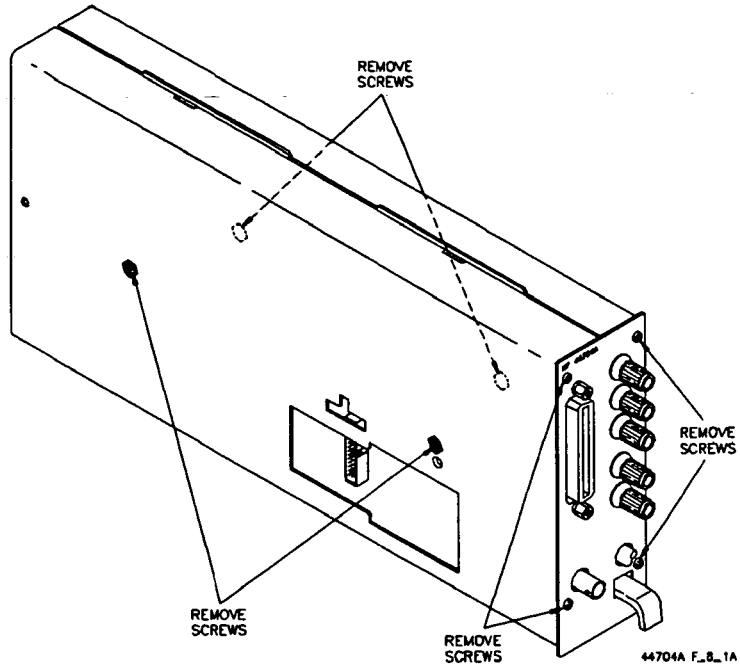


Figure 8-1(a). HP 44704A Voltmeter Disassembly

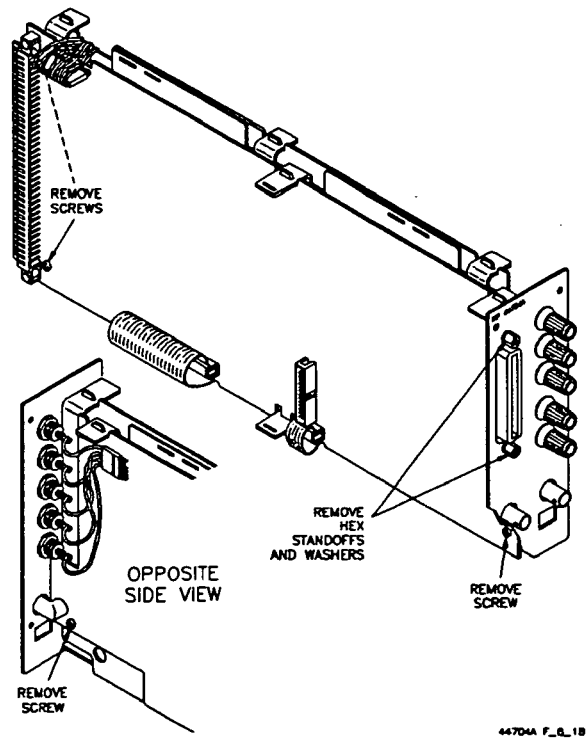


Figure 8-1(b). Removal of PCAs and Front Panel

Removing Binding Posts

Use the following steps to remove the HP 44704A rear panel binding posts (see Figure 8-2).

1. Unsolder the wire.
2. Remove the 3/8-32 nut and spring washer.
3. Remove the binding post.
4. Reverse the order to reinstall the binding post.

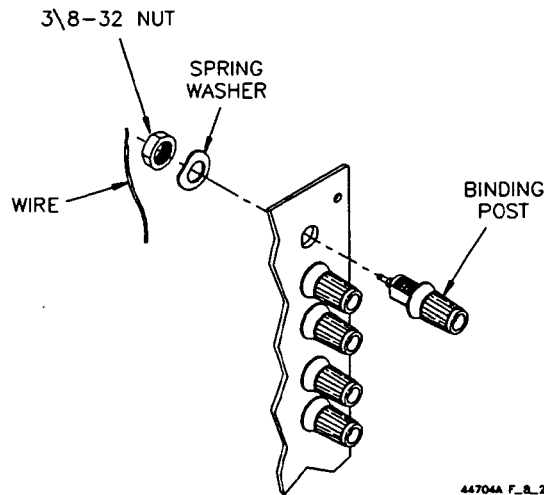


Figure 8-2. Binding Post Removal

Soldering Printed Circuit Boards

The etched circuit boards in the voltmeter have plated-through holes that allow a solder path to both sides of the insulating material. Soldering can be done from either side of the board with equally good results. When soldering to any circuit board, keep in mind the following guidelines.

- Do not use a sharp metal object such as an awl or twist drill, since sharp objects may damage the plated-through conductor.
- Do not use a high power soldering iron on etched circuit boards, as excessive heat may lift a conductor or damage the board.
- Use a suction device or wooden toothpick to remove solder from component mounting holes. When using a suction device, be sure the equipment is properly grounded to prevent electrostatic discharge from damaging CMOS devices.

Post-Repair Safety Checks

After making repairs to the HP 44704A voltmeter, inspect the voltmeter for any signs of abnormal internally generated heat, such as discolored printed circuit boards or components, damaged insulation, or evidence of arcing. Determine and correct the cause of the condition. Then run the self-test as described in Chapter 3 to verify that the voltmeter is functional.

SALES & SUPPORT OFFICES

Arranged alphabetically by country



HEADQUARTERS OFFICES

If there is no sales office listed for your area, contact one of these headquarters offices.

NORTH/CENTRAL AFRICA

Hewlett-Packard S.A.
7, rue du Bois-du-Lan
CH-1217 MEYRIN 1, Switzerland
Tel: (022) 83 12 12
Telex: 27835 hmea
Cable: HEWPACKSA Geneve

ASIA

Hewlett-Packard Asia Ltd.
47/F, 26 Harbour Rd.,
Wanchai, HONG KONG
G.P.O. Box 863, Hong Kong
Tel: 5-8330833
Telex: 76793 HPA HX
Cable: HPASIAL TD

EASTERN EUROPE

Hewlett-Packard Ges.m.b.H.
Lieblgasse 1
P.O.Box 72
A-1222 VIENNA, Austria
Tel: (222) 2500-0
Telex: 13 4425 HEPA A

NORTHERN EUROPE

Hewlett-Packard S.A.
V. D. Hooplaan 241
P.O.Box 999
NL-1183 AG AMSTELVEEN
The Netherlands
Tel: 20 547999
Telex: 18 919 hpner

SOUTH EAST EUROPE

Hewlett-Packard S.A.
World Trade Center
110 Avenue Louis Casai
1215 Cointrin, GENEVA, Switzerland
Tel: (022) 98 96 51
Telex: 27225 hpser

EASTERN USA

Hewlett-Packard Co.
4 Choke Cherry Road
ROCKVILLE, MD 20850
Tel: (301) 948-6370

MIDWESTERN USA

Hewlett-Packard Co.
5201 Tollview Drive
ROLLING MEADOWS, IL 60008
Tel: (312) 255-9800

SOUTHERN USA

Hewlett-Packard Co.
2000 South Park Place
ATLANTA, GA 30339
Tel: (404) 955-1500

WESTERN USA

Hewlett-Packard Co.
5161 Lankershim Blvd.
NORTH HOLLYWOOD, CA 91601
Tel: (818) 505-5600

MEDITERRANEAN AND MIDDLE EAST

Hewlett-Packard S.A.
Mediterranean and Middle East
Operations
Atrina Centre
32 Kifissias Ave.
Paradissos-Amarousion, ATHENS
Greece
Tel: 682 88 11
Telex: 21-6588 HPAT GR
Cable: HEWPACKSA Athens

OTHER INTERNATIONAL AREAS

Hewlett-Packard Co.
Intercontinental Headquarters
3495 Deer Creek Road
PALO ALTO, CA 94304
Tel: (415) 857-1501
Telex: 034-8300
Cable: HEWPACK

ARGENTINA

Hewlett-Packard Argentina S.A.
Montaneses 2140/50
1428 BUENOS AIRES
Tel: 781-4059/69
Cable: HEWPACKARG

AUSTRALIA

Hewlett-Packard Australia Ltd.
31-41 Joseph Street
P.O. Box 221
BLACKBURN, Victoria 3130
Tel: 895-2895
Telex: 31-024
Cable: HEWPARDEL Melbourne

Hewlett-Packard Australia Ltd.
17-23 Talavera Road
P.O. Box 308

NORTH RYDE, N.S.W. 2113
Tel: 888-4444
Telex: 21561
Cable: HEWPARD Sydney

AUSTRIA

Hewlett-Packard Ges.m.b.H.
Lieblgasse 1
P.O. Box 72
A-1222 VIENNA
Tel: (0222) 2500-0
Telex: 134425 HEPA A

BELGIUM

Hewlett-Packard Belgium S.A./N.V.
Bvd de la Woluwe, 100
Woluwedal
B-1200 BRUSSELS
Tel: (02) 762-32-00
Telex: 23-494 paloben bru

BRAZIL

Hewlett-Packard do Brasil
I.e.C. Ltda.
Alameda Rio Negro, 750
ALPHAVILLE
06400 Barueri SP
Tel: (011) 421.1311
Telex: (011) 33872 HPBR-BR
Cable: HEWPACK Sao Paulo

Hewlett-Packard do Brasil
I.e.C. Ltda.
Praia de Botafogo 228
6° Andar-conj 614
Edificio Argentina - Ala A
22250 RIO DE JANEIRO, RJ
Tel: (021) 552-6422
Telex: 21905 HPBR-BR
Cable: HEWPACK Rio de Janeiro

CANADA

Hewlett-Packard (Canada) Ltd.
11120-178th Street
EDMONTON, Alberta T5S 1P2
Tel: (403) 486-6666

Hewlett-Packard (Canada) Ltd.
17500 Trans Canada Highway
South Service Road
KIRKLAND, Quebec H9J 2X8
Tel: (514) 697-4232
Telex: 058-21521

Hewlett-Packard (Canada) Ltd.
6877 Goreway Drive
MISSISSAUGA, Ontario L4V 1M8
Tel: (416) 678-9430
Telex: 069-8644

Hewlett-Packard (Canada) Ltd.
2670 Queensview Dr.
OTTAWA, Ontario K2B 8K1
Tel: (613) 820-6483

CHINA, People's Republic of

China Hewlett-Packard Co., Ltd.
P.O. Box 9610, Beijing
4th Floor, 2nd Watch Factory Main
Bldg.
Shuang Yu Shou, Bei San Huan Road
Hai Dian District
BEIJING
Tel: 28-0567
Telex: 22601 CTSHP CN
Cable: 1920 Beijing

DENMARK

Hewlett-Packard A/S
Kongevej 25
DK-3460 BIRKERØD
Tel: (02) 81-66-40
Telex: 37409 hpas dk

FINLAND

Hewlett-Packard Oy
Pispankallontie 17
02200 ESPOO
Tel: 00358-0-88721
Telex: 121563 HEWPA SF

FRANCE

Hewlett-Packard France
Chemin des Mouilles
Boite Postale 162
69131 ECULLY Cedex (Lyon)
Tel: (78) 133-81-25
Telex: 310617F

Hewlett-Packard France
Parc d'activités du Bois Briard
Avenue du Lac
91040 EVRY Cedex
Tel: (80) 77-83-83
Telex: 692315F

Hewlett-Packard France
Zone Industrielle de Courtaboeuf
Avenue des Tropiques
91947 LES ULIS Cedex (Orsay)
Tel: (69) 07-78-25
Telex: 600048F

GERMAN FEDERAL REPUBLIC

Hewlett-Packard GmbH
Vertriebszentrum Mitte
Hewlett-Packard-Strasse
D-6380 BAD HOMBURG
Tel: (06172) 400-0
Telex: 410 844 hpbhg

Hewlett-Packard GmbH
Vertriebszentrum Südwest
Schickardstrasse 2
D-7030 BÖBLINGEN
Tel: (07031) 645-0
Telex: 7265 743 hep

Hewlett-Packard GmbH
Vertriebszentrum Süd
Eschenstrasse 5
D-8028 TAUFKIRCHEN
Tel: (089) 61 20 7-0
Telex: 0524985

GREECE

Hewlett-Packard A.E.
178, Kifissias Avenue
6th Floor
Halandri-ATHENS
Greece
Tel: 6471543, 6471673, 6472971
Telex: 221 286 HPHLGR

HONG KONG

Hewlett-Packard Hong Kong, Ltd.
G.P.O. Box 795
5th Floor, Sun Hung Kai Centre
30 Harbour Road
HONG KONG
Tel: 5-8323211
Telex: 66678 HEWPA HX
Cable: HEWPACK HONG KONG

ICELAND

Hewlett-Packard Iceland
Hoefdabakka 9
110 REYKJAVIK
Tel: (1) 67 1000

INDIA

Blue Star Ltd.
13 Community Center
New Friends Colony
NEW DELHI 110 065
Tel: 633182, 636674
Telex: 031-61120
Cable: BLUEFROST

INDONESIA

BERCA Indonesia P.T.
P.O.Box 2497/Jkt
Antara Bldg., 11th Floor
Jl. Medan Merdeka Selatan 17
JAKARTA-PUSAT
Tel: 343989
Telex: 46748 BERSAL IA

IRELAND

Hewlett-Packard Ireland Ltd.
82/83 Lower Leeson Street
DUBLIN 2
Tel: 0001 608800
Telex: 30439

ISRAEL

Computation and Measurement
Systems (CMS) Ltd.
11 Masad Street
67060
TEL-AVIV
Tel: 388 388
Telex: 33569 Mottil IL

ITALY

Hewlett-Packard Italiana S.p.A.
Via G. di Vittorio 9
I-20063 CERNUSCO SUL
NAVIGLIO
(Milano)
Tel: (02) 923691
Telex: 334632

Hewlett-Packard Italiana S.p.A.
Viale C. Pavese 340
I-00144 ROMA EUR
Tel: (06) 54831
Telex: 610514

JAPAN

Yokogawa-Hewlett-Packard Ltd.
Chuo Bldg.,
4-20 Nishinakajima, 5 Chome
Yodogawa-ku
OSAKA, 532
Tel: (06) 304-6021
Telex: YHPOSA 523-3624
Yokogawa-Hewlett-Packard Ltd.
29-21 Takaido-Higashi, 3 Chome
Suginami-ku TOKYO 168
Tel: (03) 331-8111
Telex: 232-2024 YHPTOK

Yokogawa-Hewlett-Packard Ltd.
Yasuda Seimei Nishiguchi Bldg.
30-4 Tsuruya-cho, 3 Chome
Kanagawa-ku, YOKOHAMA 221
Tel: (045) 312-1252



SALES & SUPPORT OFFICES

Arranged alphabetically by country

KOREA

Samsung Hewlett-Packard Co. Ltd.
Dongbang Yeoeuido Building
12-16th Floors
36-1 Yeoeuido-Dong
Youngdeungpo-Ku
SEOUL
Tel: 784-4666, 784-2666
Telex: 25166 SAMSA N K

MALAYSIA

Hewlett-Packard Sales (Malaysia)
Sdn. Bhd.
9th Floor
Chung Khlaw Bank Building
46, Jalan Raja Laut
50350 KUALA LUMPUR
Tel: 2986555
Telex: 31011 HPSM MA

MEXICO

Hewlett-Packard de Mexico,
S.A. de C.V.
Monte Pelvoux No. 111
Lomas de Chapultepec
11000 MEXICO, D.F.
Tel: 5-40-82-28, 72-66, 50-25
Telex: 17-74-507 HEWPACK MEX

NETHERLANDS

Hewlett-Packard Nederland B.V.
Startbaan 16
NL-1187 XR AMSTELVEEN
P.O. Box 667
NL-1180 AR AMSTELVEEN
Tel: (020) 547-6911
Telex: 13 216 HEPA NL

NORWAY

Hewlett-Packard Norge A/S
Osterdalen 16-18
P.O. Box 34
N-1345 OESTERAAS
Tel: 0047/2/24 60 90
Telex: 76621 hpnas n

PUERTO RICO

Hewlett-Packard Puerto Rico
101 Muñoz Rivera Av
Esu. Calle Ochoa
HATO REY, Puerto Rico 00918
Tel: (809) 754-7800

SAUDI ARABIA

Modern Electronics Establishment
Hewlett-Packard Division
P.O. Box 1228
Redec Plaza, 6th Floor
JEDDAH
Tel: 644 96 28
Telex: 4027 12 FARNAS SJ
Cable: ELECTRA JEDDAH

SINGAPORE

Hewlett-Packard Singapore (Sales)
Pte. Ltd.
#08-00 Incheap House
450-2 Alexandra Road
Alexandra P.O. Box 58
SINGAPORE, 9115
Tel: 4731788
Telex: 34209 HPSGSO RS
Cable: HEWPACK, Singapore

SOUTH AFRICA

Hewlett-Packard So Africa (Pty.) Ltd.
9 Eastern Service Road
Eastgate Ext. 3
SANDTON 2144
Tel: 802-5111, 802-5125
Telex: 4-20877 SA
Cable: HEWPACK Johannesburg

SPAIN

Hewlett-Packard Española, S.A.
Ctra. de la Coruña, Km. 16, 400
Las Rozas
E-MADRID
Tel: (1) 637.00.11
Telex: 23515 HPE

SWEDEN

Hewlett-Packard Sverige AB
Skalholtsgatan 9, Kista
Box 19
S-16393 SPÅNGA
Tel: (08) 750-2000
Telex: (854) 17886
Telefax: (08) 7527781

SWITZERLAND

Hewlett-Packard (Schweiz) AG
7, rue du Bois-du-Lan
Case postale 365
CH-1217 MEYRIN 1
Tel: (0041) 22-83-11-11
Telex: 27333 HPAG CH

TAIWAN

Hewlett-Packard Taiwan Ltd.
8th Floor, Hewlett-Packard Building
337 Fu Hsing North Road
TAIPEI
Tel: (02) 712-0404
Telex: 24439 HEWPACK
Cable: HEWPACK Taipei

TURKEY

Teknim Company Ltd.
Iran Caddesi No. 7
Karaklidere
ANKARA
Tel: 275800
Telex: 42155 TKNM TR

UNITED KINGDOM

ENGLAND
Hewlett-Packard Ltd.
Heathside Park Road
Chaddle Heath
STOCKPORT
Cheshire
SK3 ORB
Tel: 061-428-0828
Telex: 668068

Hewlett-Packard Ltd.
King Street Lane
Winnersh, **WOKINGHAM**
Berkshire RG11 5AR
Tel: 0734 784774
Telex: 847178

SCOTLAND

Hewlett-Packard Ltd.
SOUTH QUEENSFERRY
West Lothian, EH30 9TG
Tel: 031 331 1188
Telex: 72682

UNITED STATES

Alabama
Hewlett-Packard Co.
420 Wynn Drive
HUNTSVILLE, AL 35805
Tel: (205) 830-2000

Arizona
Hewlett-Packard Co.
8080 Pointe Parkway West
PHOENIX, AZ 85044
Tel: (602) 273-8000

California
Hewlett-Packard Co.
1421 S. Manhattan Av.
FULLERTON, CA 92631
Tel: (714) 999-8700

Hewlett-Packard Co.
5651 West Manchester Ave.
LOS ANGELES, CA 90045
Tel: (213) 337-8000
Telex: 910-325-6608

Hewlett-Packard Co.
9606 Aero Drive
SAN DIEGO, CA 92123
Tel: (619) 279-3200

Hewlett-Packard Co.
3003 Scott Boulevard
SANTA CLARA, CA 95054
Tel: (408) 988-7000
Telex: 910-338-0586

Colorado

Hewlett-Packard Co.
24 Inverness Place, East
ENGLEWOOD, CO 80112
Tel: (303) 649-5000

Connecticut

Hewlett-Packard Co.
47 Barnes Industrial Road South
WALLINGFORD, CT 06492
Tel: (203) 265-7801

Florida

Hewlett-Packard Co.
2901 N.W. 62nd Street
FORT LAUDERDALE, FL 33309
Tel: (305) 973-2600

Hewlett-Packard Co.
6177 Lake Ellenor Drive
ORLANDO, FL 32809
Tel: (305) 859-2900

Georgia

Hewlett-Packard Co.
2000 South Park Place
ATLANTA, GA 30339
Tel: (404) 955-1500
Telex: 810-766-4890

Illinois

Hewlett-Packard Co.
5201 Tollview Drive
ROLLING MEADOWS, IL 60008
Tel: (312) 255-9800
Telex: 910-687-1066

Indiana

Hewlett-Packard Co.
11911 N. Meridian St.
CARMEL, IN 46032
Tel: (317) 844-4100

Louisiana

Hewlett-Packard Co.
160 James Drive East
ST. ROSE, LA 70087
P.O. Box 1449
KENNER, LA 70063
Tel: (504) 467-4100

Maryland

Hewlett-Packard Co.
3701 Koppers Street
BALTIMORE, MD 21227
Tel: (301) 644-5800
Telex: 710-862-1943

Hewlett-Packard Co.
2 Choke Cherry Road
ROCKVILLE, MD 20850
Tel: (301) 948-6370

Massachusetts

Hewlett-Packard Co.
1775 Minuteman Road
ANDOVER, MA 01810
Tel: (617) 682-1500

Michigan

Hewlett-Packard Co.
39550 Orchard Hill Place Drive
NOVI, MI 48050
Tel: (313) 349-9200

Minnesota

Hewlett-Packard Co.
2025 W. Larpenteur Ave.
ST. PAUL, MN 55113
Tel: (612) 644-1100

Missouri

Hewlett-Packard Co.
1001 E. 101st Terrace Suite 120
KANSAS CITY, MO 64131-3368
Tel: (816) 941-0411

Hewlett-Packard Co.
13001 Hollenberg Drive
BRIDGETON, MO 63044
Tel: (314) 344-5100

New Jersey

Hewlett-Packard Co.
120 W. Century Road
PARAMUS, NJ 07653
Tel: (201) 265-5000

New Mexico

Hewlett-Packard Co.
7801 Jefferson N.E.
ALBUQUERQUE, NM 87109
Tel: (505) 823-6100

New York

Hewlett-Packard Co.
9600 Main Street
CLARENCE, NY 14031
Tel: (716) 759-8621

Hewlett-Packard Co.
7641 Henry Clay Blvd.
LIVERPOOL, NY 13088
Tel: (315) 451-1820

Hewlett-Packard Co.
3 Crossways Park West
WOODBURY, NY 11797
Tel: (516) 682-7800

North Carolina

Hewlett-Packard Co.
5605 Roanne Way
GREENSBORO, NC 27420
Tel: (919) 852-1800

Ohio

Hewlett-Packard Co.
15885 Sprague Road
CLEVELAND, OH 44136
Tel: (216) 243-7300

Hewlett-Packard Co.
9080 Springboro Pike
MIAMISBURG, OH 45342
Tel: (513) 433-2223

Hewlett-Packard Co.
675 Brooksedge Blvd.
WESTERVILLE, OH 43081
Tel: (614) 891-3344

Oklahoma

Hewlett-Packard Co.
3525 N.W. 56th St.
Suite C-100
OKLAHOMA CITY, OK 73112
Tel: (405) 946-9499

Oregon

Hewlett-Packard Co.
9255 S. W. Pioneer Court
WILSONVILLE, OR 97070
Tel: (503) 682-8000

Pennsylvania

Hewlett-Packard Co.
111 Zeta Drive
PITTSBURGH, PA 15238
Tel: (412) 782-0400

Hewlett-Packard Co.
2750 Monroe Boulevard
VALLEY FORGE, PA 19482
Tel: (215) 666-9000

Texas

Hewlett-Packard Co.
1826-P Kramer Lane
AUSTIN, TX 78758
Tel: (512) 835-6771

Hewlett-Packard Co.
10535 Harwin Drive
HOUSTON, TX 77038
Tel: (713) 776-6400

Hewlett-Packard Co.
930 E. Campbell Rd.
RICHARDSON, TX 75081
Tel: (214) 231-6101

Hewlett-Packard Co.
1020 Central Parkway South
SAN ANTONIO, TX 78232
Tel: (512) 494-9336

Utah

Hewlett-Packard Co.
3530 W. 2100 South St.
SALT LAKE CITY, UT 84119
Tel: (801) 974-1700

Virginia

Hewlett-Packard Co.
4305 Cox Road
GLEN ALLEN, VA 23060
Tel: (804) 747-7750

Washington

Hewlett-Packard Co.
15815 S.E. 37th Street
BELLEVUE, WA 98006
Tel: (206) 643-4000

Wisconsin

Hewlett-Packard Co.
275 N. Corporate Dr.
BROOKFIELD, WI 53005
Tel: (414) 794-8800

VENEZUELA

Hewlett-Packard de Venezuela C.A.
3A Transversal Los Ruices Norte
Edificio Segre 2 & 3
Apartado 50933
CARACAS 1050
Tel: (582) 239-4133
Telex: 251046 HEWPACK

YUGOSLAVIA

Do Hermes
General Zdanova 4
YU-11000 BEGRAD
Tel: (011) 342 641
Telex: 11433



Copyright © Hewlett-Packard Company, 1991



44704-90010
E0991

Manual Part Number: 44704-90010
Microfiche Part Number: 44704-99010

Printed: September 1991 Edition 1
Printed in U.S.A. E0991

**Programming the HP3852
with Series 200/300
Controllers**

Using the 44701 and 44702

PRELIMINARY

PRELIMINARY

**Programming the HP3852
with Series 200/300
Controllers**

Using the 44701 and 44702

PRELIMINARY

This application paper is designed to demonstrate some common data acquisition applications using the Series 200/300 controller and the HP3852 Data Acquisition System and its two voltmeter accessories. The applications are presented in detail so that a user can gain a deeper understanding of the interactions of the HP3852, the 44701 and 44702, and the Series 200/300 controller. Hopefully, the Programming Trees for the voltmeter accessories will be very useful. They indicate a preferred programming sequence for both accessories that should prevent most coding errors and alleviate some of the dread of using the 44702 High Speed DVM.

The 44701 accessory is discussed first followed by four example programs demonstrating various capabilities of the 44701. The 44702 accessory is discussed next followed by ten example programs ranging in difficulty from simple examples to complex examples requiring a great deal of interaction between the accessory, the HP3852 mainframe and the Series 200/300 controller. Start with the discussions of the Programming Trees. These will provide a refresher for SE's who have attended the HP3852 class. For those that haven't, the Programming Trees will give a framework on which to build programming knowledge. This paper is structured to be used as an addition to the manuals. The manuals contain detailed reference data on the various commands but do not address their usage in great detail. These application examples were written to show some typical solutions and to give a basis from which to modify the programs to solve a particular application problem.

You may see this information in other documents. Where it is appropriate, this information may be given to customers. Comments and suggestions are both solicited and appreciated.

John M. da Cunha, Applications Engineer

Programming the HP44701/HP3852 with the Series 200/300

I. Introduction

The HP44701 Integrating Voltmeter uses a technique which allows a tradeoff between speed and resolution/noise rejection. Integrating voltmeters sample the input for a period of time and then digitize the result. By varying the sample period, the customer is able to optimize the voltmeter characteristics to suit the application. This allows a great deal of flexibility. If high resolution is desired, longer integration times, expressed as number of power line cycles, can be specified to gain noise rejection and resolution. If the application does not require full resolution, shorter integration times can be specified to gain greater speed. The HP44701 can measure DC volts, resistance and AC volts with variable integration time. It holds a single reading in its register.

II. High Level Programming Commands

The HP44701 Voltmeter is programmed by and sends its readings to the HP3852 Data Acquisition mainframe. The HP3852 has a high level command set that programs the HP44701 Voltmeter. The command set was designed to provide a means to control the voltmeter with a minimum of understanding of its workings as well as to provide for more advanced capabilities. A beginning user can take readings very simply, while a more advanced user can modify the default values of the voltmeter to customize it for a particular application.

To take readings in the easiest manner possible, use the CONFMEAS command. This command sets up the voltmeter in a default mode and advances the multiplexer channels while readings are taken. The mainframe (HP3852) takes the readings and puts them in an array in memory or in the HP-IB output buffer. A typical command line looks like this:

```
100 OUTPUT 709;"CONFMEAS DCV 100-109 USE 0"
```

With this command, the mainframe and voltmeter work together to take ten DC voltage readings on channels 100 through 109 using the voltmeter in slot 0. The readings are placed in the HP-IB output buffer where they can be accessed by the Series 200/300 controller. As long as the user is content with the default values as specified in the command reference manual for the CONF command, then CONFMEAS is sufficient. However, to use the full flexibility of the voltmeter, the customer must use other commands.

A Simple Example

For the following example, consult Figures PT1, Programming Tree for the 44701 Integrating Voltmeter, and EX1. Also consult the HP3852 Command Reference Manual for further information on the following commands. Begin the programming sequence with a USE command. This tells the

mainframe which module it will be programming. In this example, the voltmeter is in slot 0. Voltmeter programming should begin with a CONF command. This command sets the voltmeter to a known state which can be modified to suit the application. Alternately, the TRIG HOLD command can be used instead of the CONF command. TRIG HOLD does not set the voltmeter to a defined state. It only suspends triggering of the voltmeter. After CONF or TRIG HOLD, the FUNC command may be used. It is typically used with TRIG HOLD since CONF sets a function. Then the RANGE/ARANGE parameter should be specified. RANGE sets a fixed range for the voltmeter. ARANGE sets the voltmeter to autorange. In the example, the RANGE is set to three volts. Optionally, the terminals can be set next with TERM. Then the integration time is set with the NPLC command. This command sets the speed and resolution of the voltmeter. The example sets NPLC to 0.005. At this setting, a good blend of accuracy and speed is achieved. It provides 4 1/2 digit resolution at speeds approaching the maximum with this voltmeter. The NRDGS parameter sets the number of readings per trigger which translates to the number of readings per channel. AZERO selects autozero on or off. With autozero off, measurements are taken almost twice as fast. The autozero option can be specified with the ohms functions, but has no effect. Next, DELAY can be specified. DELAY sets the time between the trigger and when the actual measurement is taken. Use OCOMP next if offset-compensated four wire ohms is desired. The last parameter is the trigger source. It is set with the TRIG command. If TRIG SYS is used, the system trigger source must be set with TRG. After all these parameters are set, the MEAS command is used to begin taking the measurements. Any or all the commands between CONF and MEAS may be deleted as appropriate. If a programmer follows this sequence, most problems caused by programming errors will be avoided.

In the example, the voltmeter commands reside in a subroutine called TAKE_RDG. To begin taking measurements, call the subroutine.

```
200 OUTPUT 709;"CALL TAKE_RDG"  
210 ENTER @CFORMOFF;A(*)
```

Notice that the last command in the example subroutine is:

```
180 OUTPUT 709;"VREAD RD,RL64"
```

This command tells the mainframe to output the readings from the array RD in RL64 binary format. This format is compatible with Series 200/300 internal REAL binary format so the ENTER is done with FORMAT OFF allowing faster transfer rates.

III. Applications

In addition to the previous example, three other applications will be considered. The first illustrates the use of a low level command, SWRITE, which can be used to talk to module registers under special circumstances. In this case, the program will set the integration time base to reject 400 Hz noise. A routine to unpack HP44701 readings in BASIC is also included. The second application example will demonstrate taking static strain measurements with the multiplexer and voltmeter

timed by the HP3852 system pacer. The final application shows real-time limit checking on temperature measurements. Consult the programming tree and the sample programs when following the text. For more information on the commands that are discussed, consult the HP3852 Command Reference Manual.

Example 1: 400 Hz Noise Rejection with 60 Hz Power

Aircraft systems can present special problems for data acquisition systems. In countries that use 60 Hz power, integrating voltmeters are generally configured to reject 60 Hz noise. They do this by integrating over an integral number of power line cycles. The HP44701 is set to either 60 or 50 Hz integration time at power up of the HP3852. If the HP44701 is configured for 60 Hz, it does not reject the 400 Hz noise from an aircraft power system. However, there is a procedure to change to 50 Hz operation which will reject 400 Hz noise.

In the example, Figure EX2, the voltmeter is configured normally with the USE, CONF, TERM and RANGE commands. These commands are followed by:

```
140 OUTPUT 709;"SWRITE 0,2,117"
```

This command writes directly to slot 0, register 2 which is the slot address of the HP44701. The value 117 is the decimal equivalent of a command to the voltmeter to set up 50 Hz operation at one power line cycle integration time of 20 msec. This integration time corresponds to eight power line cycles of 400 Hz. Since the integration period is more than one power line cycle of 400 Hz, additional noise rejection is obtained. If more rejection is required, the value may be set to 149. This configures the voltmeter for sixteen power line cycles at 50 Hz, which corresponds to 128 power line cycles at 400 Hz. The voltmeter can be returned to 60 Hz operation by executing an NPLC command.

The next portion of code in the example, shows a method of getting single readings from the HP44701 using the TRIG SGL and CHREAD commands. These commands are used when the voltmeter terminals are set to external. They can also be used in other applications where appropriate. Two sets of readings are taken in FOR/NEXT loops. The first is in the default format, RASC. The second set is taken in packed format with the PACK parameter for the CHREAD command. This format requires that the readings be unpacked later. An unpacking routine is included at the end of the program.

The packed data from the HP44701 consists of four bytes. Twenty-four bits represent the mantissa and the remaining eight bits represent the exponent. In the example, the variables X and Y become the mantissa and the variable Z contains the exponent information. The upper two bytes, variable X, are shifted left by multiplying by 256. Then the lowest byte of the mantissa, variable Y, is added to it. The mantissa is now correctly evaluated. The variable Z is sign corrected and manipulated to form the exponent. The result is then printed.

Example 2: Paced Strain Gauge Measurements

1

In this application, the customer wanted to take strain measurements at known time intervals. The most natural way to do this was to take advantage of the pacing function of the HP3852 to pace the readings. Refer to Figure EX3.

Two real arrays are configured in the HP3852 with the REAL command to hold the strained and unstrained readings. The unstrained readings are necessary to calculate the value of the strain for each channel. The readings in the array called STRAIN will be in microstrains.

The voltmeter is configured with the USE and CONF STRQ to take quarter bridge strain measurements. Then the trigger source is set to TRIG SCAN. The voltmeter will be triggered each time a channel is closed. The command MEAS STRUN then takes the unstrained measurements and stores them in the array UNSTR. The pacer now needs to be set up.

```
100 OUTPUT 709;"SADV PACER"  
110 OUTPUT 709;"PACER 85E-3,26"  
120 OUTPUT 709;"PDELAY .015"
```

The first command, SADV PACER, sets the scan advance source to the pacer output. Next the pacer is set to put out 26 pulses at a time interval of 85 milliseconds with the PACER command. Twenty-six pulses are output because the first pulse is used to close the first channel and the last pulse opens the last channel. The PDELAY command sets a delay after the pacer trigger before the first pulse comes out. When measuring strain in this manner, PDELAY should be set to a large enough value to ensure that a preliminary reading of the supply voltage on each multiplexer module can be accomplished. This time will vary depending on the NPLC setting and the number of different multiplexer modules involved. For instance, if NPLC is set to one and there are four multiplexer modules, then the delay should be sufficient to make at least four one power line cycle measurements plus some additional time for autoranging and processing (approx. 180 msec.).

A subroutine is used to trigger the pacer and take the strain measurements. In many cases, placing the measurement commands in a subroutine can yield speed improvements since only the string "CALL X" needs to be parsed by the mainframe rather than each command in the subroutine. If all the programming is done in subroutines, set up commands should be put in a separate subroutine than the measurement commands for best speed performance.

Example 3: Temperature Limit Checking

The customer in this application needed to monitor the temperature on a thermocouple and be signalled by the HP3852 when the temperature was out of limit. The real time limit checking feature of the HP3852 is a good match for this application. A limit subroutine is called in the HP3852 mainframe that asserts SRQ on the HPPIB bus to signal the controller that the temperature is out of bounds.

Refer to Figure EX4 for the example program. The HP3852 does real time limit checking in the mainframe as the measurements are put into the

array (RTEMP in the example). If a measurement is out of limit, the index of that reading is placed into an integer array (IDX in the example). Also, an interrupt condition is set if enabled. This interrupt can cause an SRQ on the HPIB bus or other actions.

```
120 OUTPUT 709;"INTEGER IDX(0)"
130 OUTPUT 709;"REAL RTEMP(0),MIN,MAX"
140 OUTPUT 709;"MIN=22;MAX=28"
```

Note that IDX and RTEMP must be arrays. The variables MIN and MAX are the limit variables against which the measurements are compared. MIN and MAX can also be arrays if the expected measurements will vary greatly from channel to channel. MIN and MAX must also be real variables or arrays to prevent mixed mode arithmetic errors.

The DVM is set up in the default mode with the USE and CONF commands. Speed was not a consideration in this application. The limit subroutine (SUB WARN) displays a message, asserts SRQ and beeps. Then the limit conditions are set.

```
250 OUTPUT 709;"LMT MIN,MAX,IDX"
260 OUTPUT 709;"ON LMT CALL WARN"
270 OUTPUT 709;"ENABLE LMT"
280 OUTPUT 709;"RQS FPS,RQS ON"
```

The LMT command in line 250 sets up real time limit checking. The subroutine WARN will be called on limit (line 260). Then the limit interrupt is enabled. Line 280 sets the SRQ mask for software SRQ and enables SRQ on the bus.

The measurement subroutine (SUB MEAS_) takes the readings and displays a message. The channel list length is a significant variable when using real time limit checking. The limit interrupt is serviced at the end of the measurement subroutine. Therefore, if the channel list is very long and an out of limit reading is taken early in the channel list, the interrupt won't be serviced until the subroutine is finished. Short channel lists and command sequences are desirable when using this feature of the HP3852.

The controller is set up to receive the SRQ interrupt with the ON INTR and ENABLE commands. The ON INTR command directs the controller to stop when an interrupt is present on the HPIB bus. The ENABLE command activates the interrupt on the HPIB interface and sets the SRQ mask. Only SRQ interrupts will be recognized.

IV. Summary

Three application examples using the HP44701/HP3852 and a Series 200/300 controller running BASIC were presented as well as a simple example to show a way to get fast readings from the HP44701 integrating DVM. The DVM is quite flexible in choice of integration time to optimize it for a particular application. When coupled with the multiplexer control, conversion and interrupt features of the HP3852 mainframe, it can solve a great many data acquisition problems.

Programming Tree
for 44701 Integrating
Voltmeter

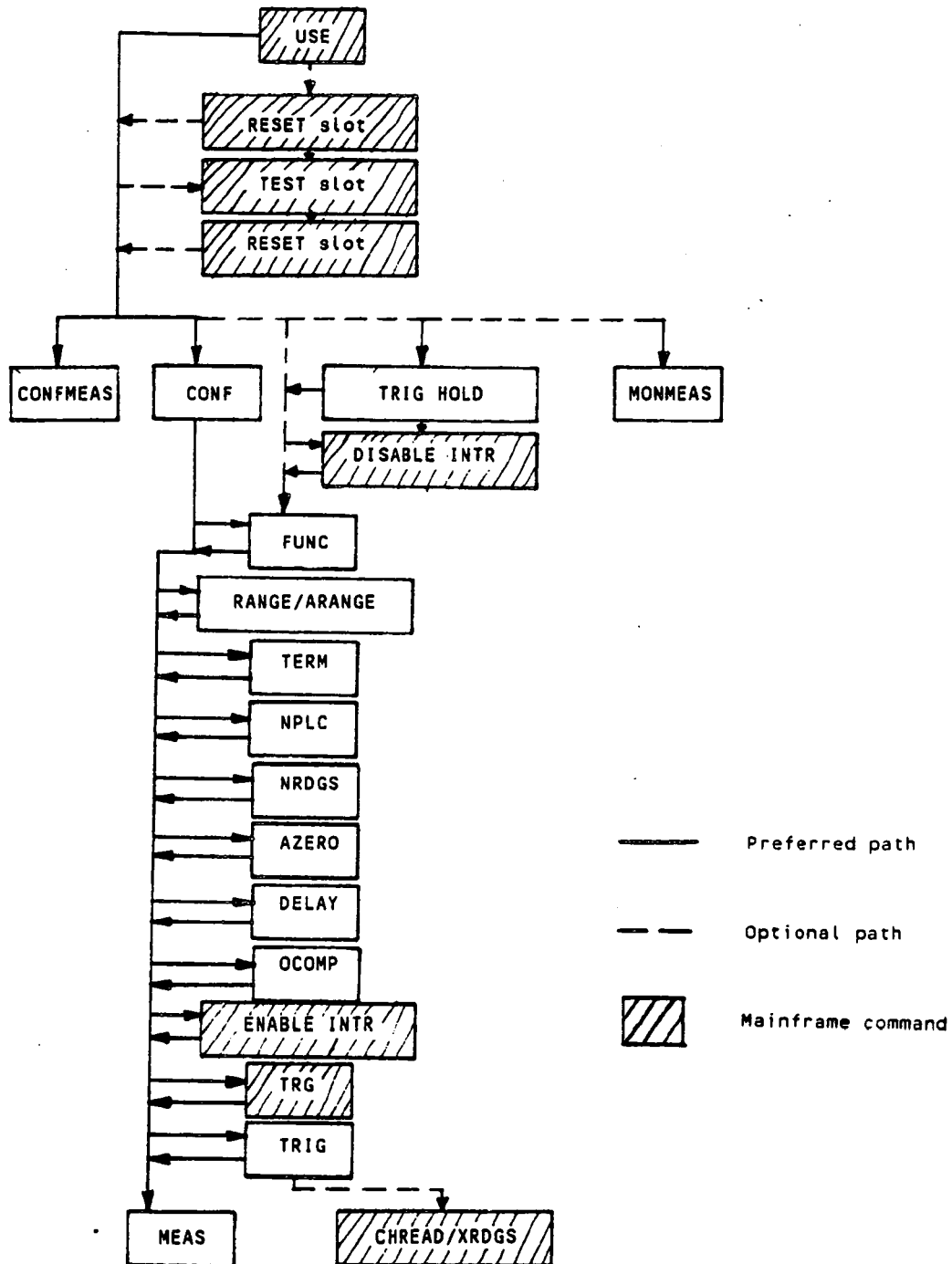


Figure PT1

```
10 ! THIS PROGRAM SHOWS A WAY TO GET HIGH SPEEDS FROM THE 44701
20 ! INTEGRATING DVM.
30 !
40 !
50 ASSIGN @Comp TO 709
60 ASSIGN @Cformoff TO 709;FORMAT OFF
70 REAL A(1:100)
80 !
90 CLEAR @Comp
100 OUTPUT @Comp;"RESET"
110 OUTPUT @Comp;"PACKED RD(399)"
120 OUTPUT @Comp;"SUB TAKE_RDG"
130 OUTPUT @Comp;"    USE 0"
140 OUTPUT @Comp;"    CONF DCV"
150 OUTPUT @Comp;"    RANGE 3"
160 OUTPUT @Comp;"    NPLC 0.005"
170 OUTPUT @Comp;"    AZERO OFF"
180 OUTPUT @Comp;"    MEAS DCV 100-119,100-119,100-119,100-119,100-119 INTO RD"
190 OUTPUT @Comp;"    VREAD RD,RL64"
200 OUTPUT @Comp;"SUBEND;DISP OFF"
210 !
220 !
230 OUTPUT @Comp;"CALL TAKE_RDG"
240 ENTER @Cformoff;A(*)
250 FOR I=20 TO 100 STEP 20
260     PRINT A(I)
270 NEXT I
280 END
```

Figure EX1

```

10  ! THIS PROGRAM DEMONSTRATES HOW TO REJECT 400Hz NOISE WITH THE
20  ! 44701 INTEGRATING DVM ON THE 3852.
30  ! THIS PROGRAM ALSO INCLUDES AN UNPACKING ROUTINE FOR THE DVM.
40  !
50  ASSIGN @Comp TO 709
60  ASSIGN @Cformoff TO 709;FORMAT OFF
70  DIM A(1:25)
80  INTEGER B(0:49),X,Y,Z,I,J
90  OUTPUT @Comp;"RST"
91  OUTPUT @Comp;"USE 0"-
100 OUTPUT @Comp;"CONF DCV"
101 OUTPUT @Comp;"RANGE 3.0"
102 OUTPUT @Comp;"TERM EXT"
110 !
120 ! THE FOLLOWING COMMAND SETS UP THE DVM FOR 50HZ(400HZ) REJECTION.
130 !
140 OUTPUT @Comp;"SWRITE 0,2,117" ! USE 149 FOR 128 PLC'S, 117 FOR 8 PLC'S
150 !
160 OUTPUT @Comp;"DISP 'REAL MEAS'"
170 WAIT 2
180 FOR I=1 TO 25 ! THIS LOOP READS DATA IN RASC FORMAT
190   OUTPUT @Comp;"TRIG SGL;CHREAD 0" ! AND PUTS IT INTO A REAL ARRAY.
200   ENTER @Comp;A(I)
210 NEXT I
220 !
230 OUTPUT @Comp;"DISP 'PACK MEAS'"
240 WAIT 2
250 FOR J=0 TO 24
260   OUTPUT @Comp;"TRIG SGL;CHREAD 0 PACK"
270   ENTER @Cformoff;B(2*J),B(2*J+1)
280 NEXT J
290 !
300 !
320 PRINT B(*)
330 PRINT A(*)
340 !
350 ! UNPACK ROUTINE STARTS HERE.
360 !
370 FOR I=0 TO 24
380   X=B(2*I) ! UPPER TWO BYTES
390   Z=BINAND(B(2*I+1),255) ! LOWEST ORDER BYTE
400   Y=SHIFT(B(2*I+1),8) ! SHIFT BYTE TO LOWEST BYTE
410   IF Z=128 THEN ! OVERLOAD CONDITION
420     PRINT I.E+38
430   ELSE
440     PRINT (X*256.+Y)*10^(Z-256*(Z>127)-6), ! PRINT RESULT
450   END IF
460 NEXT I
470 !
480 ! END OF UNPACK ROUTINE.
490 !
500 END

```

Figure EX2

```

10 ! THIS PROGRAM DEMONSTRATES HOW TO TAKE STRAIN GAUGE MEASUREMENTS
20 ! THAT ARE PACED BY THE PACER. FIRST THE GAUGES ARE MEASURED UN-
30 ! STRAINED, THEN THE GAUGES ARE SCANNED USING THE PACER.
40 !
50 !
60 ! PROGRAM STARTS HERE.
70 !
80 !
90 !
100 !
110 REAL A(1:25),B(1:25)
120 ASSIGN @Comp TO 709
130 CLEAR @Comp
140 OUTPUT @Comp;"RESET"
150 OUTPUT @Comp;"REAL UNSTR(24),STRAIN(24)"
160 !
170 !
180 ! SET UP DVM
190 !
200 OUTPUT @Comp;"USE 0"
210 OUTPUT @Comp;"CONF STRQ"
220 OUTPUT @Comp;"TRIG SCAN"
230 OUTPUT @Comp;"MEAS STRUN 100-109,100-109,100-104 INTO UNSTR"
240 !
250 !
260 !
270 ! SET UP SCANNER
280 !
290 OUTPUT @Comp;"SADV PACER"
300 OUTPUT @Comp;"PACER 85E-3,26"
310 OUTPUT @Comp;"PDELAY .015"
320 !
330 OUTPUT @Comp;"SUB X"
340 OUTPUT @Comp;" PTRIG SGL"
350 OUTPUT @Comp;" MEAS STRQ 100-109,100-109,100-104,REF UNSTR INTO STRAIN"
360 OUTPUT @Comp;"SUBEND"
370 !
380 !
390 !
400 !
410 OUTPUT @Comp;"CALL X"
420 OUTPUT @Comp;"VREAD UNSTR"
430 ENTER @Comp;A(*)
440 OUTPUT @Comp;"VREAD STRAIN"
450 ENTER @Comp;B(*)
460 PRINT A(*)
470 PRINT B(*)
480 !
490 !
500 !
510 !
520 END

```

Figure EX3

```

10  ! THIS PROGRAM DEMONSTRATES AN EXAMPLE OF REAL TIME LIMIT
20  ! CHECKING ON THE HP3852. TEMPERATURE MEASUREMENTS ARE
30  ! TAKEN AND THEN COMPARED TO THE LIMITS. IF A LIMIT IS
40  ! EXCEEDED, A WARNING IS DISPLAYED.
50  !
60  !
70  !                               !SET UP
80  ASSIGN @Comp TO 709
90  CLEAR @Comp
100 OUTPUT @Comp;"RESET"
110 !
120 OUTPUT @Comp;"INTEGER IDX(0)"           !DECLARE VARIABLES IN 3852
130 OUTPUT @Comp;"REAL RTEMP(0),MIN,MAX"
140 OUTPUT @Comp;"MIN=22;MAX=28"
150 !
160 OUTPUT @Comp;"USE 0;CONF TEMPT"        !SET UP DVM
170 !
180 !
190 OUTPUT @Comp;"SUB WARN"
200 OUTPUT @Comp;"  DISP 'WARNING'"
210 OUTPUT @Comp;"  SRQ"
220 OUTPUT @Comp;"  BEEP"
230 OUTPUT @Comp;"SUBEND"
240 !
250 OUTPUT @Comp;"LMT MIN,MAX,IDX"         ! SET UP 3852 CONDITIONS
260 OUTPUT @Comp;"ON LMT CALL WARN"
270 OUTPUT @Comp;"ENABLE LMT"
280 OUTPUT @Comp;"RQS FPS;RQS ON"
290 !
300 !
310 OUTPUT @Comp;"SUB MEAS_"              ! MEASUREMENT ROUTINE
320 OUTPUT @Comp;"  MEAS TEMPT 100 USE 0 INTO RTEMP(0)"
330 OUTPUT @Comp;"  DISP 'TEMP OK'"
340 OUTPUT @Comp;"SUBEND"
350 !
360 !
370 !
380 INTEGER Flg,Mask                       ! SET UP CONTROLLER
390 Flg=1
400 ON INTR 7 GOSUB Stop_
410 Mask=2
420 ENABLE INTR 7;Mask
430 !
440 WHILE Flg                               ! BEGIN MEASUREMENT LOOP
450   OUTPUT @Comp;"CALL MEAS_"
460   WAIT 1
470 END WHILE
480 !
490 Stop_:STOP
500 !
510 END

```

Figure EX4

Programming the HP44702/HP3852 with the Series 200/300

I. Introduction

The HP44702 High Speed Voltmeter is a successive approximation type of digital voltmeter which has great speed and flexibility. Successive approximation voltmeters sample the input for a short period of time and use a fast technique to digitize the reading. This technique allows reading speeds of one hundred thousand readings per second. The HP44702 also has some intelligence built into it. It can stand alone as a subsystem taking readings with high speed multiplexers connected to it via a ribbon cable. Intelligence and high speed make the HP44702 a potent addition to the HP3852 Data Acquisition System. With this capability comes complexity. The purpose of this document is to help the user better understand how to use the HP44702 to meet his or her data acquisition needs.

The HP44702 has two modes of operation, the system mode and the scanner mode. In the system mode, the user programs the HP44702 much like the HP44701 Voltmeter. In the scanner mode, the HP44702 can achieve 100 thousand readings per second speed while scanning or do a variety of other types of measurements. The high speed voltmeter can make both DC voltage and ohms readings. When using the MEAS command, which will be discussed later, temperature and strain measurements can be made. The HP44702 has differential inputs. Differential inputs allow only a moderate common mode input signal to be connected to them with respect to earth ground. The HP44701, which is a floating voltmeter, can tolerate much higher common mode voltages. Also, the high speed voltmeter has a reading buffer built into the module. This is useful to store readings until they can be conveniently retrieved. The HP44702A has an 8K reading buffer and the HP44702B has a 64K reading buffer.

II. High Level Programming Commands

Like the HP44701, the HP44702 High Speed Voltmeter is programmed by and can send its readings to the HP3852 Data Acquisition mainframe. The HP3852 has a high level command set to communicate with the HP44702. This command set is similar to the one for the HP44701 but has more commands since the high speed voltmeter has more intelligence and capability than the integrating voltmeter. The command set provides a means to take measurements with a minimum of understanding of the internal workings of the high speed voltmeter. Other commands take advantage of the full feature set of the voltmeter. The customer has the choice.

The CONFMEAS command allows measurements to be taken most easily. Use this command in the system mode, which is the power up configuration. CONFMEAS sets up the voltmeter in the default mode and advances the multiplexer channels while the readings are taken. The readings are transferred to either the HP-IB buffer or an array in memory. A typical command looks like this:

The voltmeter and HP3852 mainframe work together to take twenty readings on channels 400 through 419 using the voltmeter in slot 5. The readings then go to the HP-IB output buffer of the HP3852 where they can be accessed by the Series 200/300 controller. If the customer is content with the default values found in the Command Reference Manual under the CONF command, then using CONFMEAS is sufficient. However, to use the full capabilities of the voltmeter, the customer must use other commands.

Two Simple Examples

As mentioned before, the HP44702 high speed voltmeter has two modes of operation. In the system mode, the commands used to program the voltmeter look and act like the corresponding commands for the HP44701 integrating voltmeter. This promotes ease of use and compatibility between the two modules. The other mode of operation is the scanner mode. In this mode of operation, the full capability of the high speed voltmeter is available. The scanner mode allows the HP44702 to act as a measurement subsystem to take measurements without the intervention of the HP3852 mainframe. The scanner mode gives access to the two levels of triggering and all the features of the module. For the following examples, refer to Figure PT2, Programming Tree for the 44702 High Speed Voltmeter, as well as, the HP3852 Command Reference Manual.

System Mode Example

Refer to Figure SYS while following the example. Start with the USE command. This tells the HP3852 mainframe which slot you are programming. In the example, the voltmeter is in slot 6. Then use the SCANMODE command to set which mode the voltmeter is in. The example program sets the system mode for the voltmeter with SCANMODE OFF. Then, like the 44701, use the CONF command. CONF puts the voltmeter into a known default state. It makes a good starting point from which to modify the program to fit a particular application. The user may choose TRIG HOLD in place of CONF, but it does not set the voltmeter to a known state. It only suspends triggering. After CONF or TRIG HOLD, the FUNC command may be used. Use FUNC when specifying TRIG HOLD since no function is set by the TRIG command. Next, the RANGE/ARMODE command sets the voltmeter range or autorange mode. The use of ARMODE will be discussed under the scanner mode example. TERM selects the input terminals. The example selects the HP3852 analog backplane as the signal source. With the 44702, readings may be output to the HP3852 mainframe or the GPIO port. The RDGS command selects the output port. The example sends the readings to the HP3852 mainframe. RDGSMODE is a command that is unique to the 44702. The high speed voltmeter has many different interrupt modes. RDGSMODE chooses which interrupt will be used. Consult the Command Reference Manual for the choices available. The next choice in line on the Programming Tree is the NRDGS command. It sets the number of readings per trigger in the system mode. In the scanner mode, the action of NRDGS varies depending on the specified terminals. Specify DELAY next, if desired. It sets the time between the trigger and the start of the first measurement on a particular channel, as well as, the time between successive measurements on the same channel if NRDGS is set to more than one. Autozero on the

high speed voltmeter differs from the integrating voltmeter. It is only done when the AZERO command is executed. Another unique feature of the 44702 is its ability to trigger on a threshold level. The PERC and SLOPE commands set up this feature. PERC sets the trigger level to percentage of full scale. If you are using auto range, this trigger level changes with range but remains at the same percentage of full scale. The SLOPE command tells the voltmeter to trigger when the signal crosses the threshold on a rising or falling slope. SLOPE also sets the sense of the trigger edge for external triggers. TRIGOUT enables trigger pulses to be output on the EXTERNAL TRIGGER 0 BNC at the back of the voltmeter. Finally, the TRIG command sets the trigger source for the voltmeter. If TRIG SYS is used, then the TRG command must specify the system trigger source. When scanning, send the MEAS command after setting the trigger source. MEAS also makes it possible to take temperature measurements by using the appropriate function parameter. If the external terminals are used, then read the measurements with CHREAD or XRDGS. Any of the commands between CONF and MEAS may be deleted to fit the application. This programming sequence should avoid most of the programming errors introduced by users.

The example program has the voltmeter set up and measurement commands in a subroutine called HS_RDGS. To take measurements, simply call the subroutine.

```
250 OUTPUT 709;"CALL HS_RDGS"  
260 ENTER @CFORMOFF;A(*)
```

As in the 44701 example, the last command in the subroutine is:

```
220 OUTPUT 709;" VREAD RD,RL64"
```

This command tells the mainframe to output the readings from the array RD in RL64 binary format. This format is compatible with Series 200/300 internal REAL binary format. Therefore, the ENTER is done with FORMAT OFF allowing faster data transfer rates.

Scanner Mode Example

Refer to Figure SCN and Figure PT2 while following the example. In scanner mode, all of the commands described in the system mode example are valid plus a number of others not presented yet. Scanner mode gives the user full control of the 44702 voltmeter. Some of the commands described in the system mode discussion have slightly different functions in the scanner mode. These differences will be pointed out.

The 44702 High Speed Voltmeter has two levels of triggering. The two levels are the scan level and the measurement level. The scan level enables the measurement level. Each level has independent pacing and delay. At the scan level, the user can specify more than one PRESCAN or POSTSCAN. These terms will be discussed later. Independent trigger sources can be set for each level also. The voltmeter is quite flexible so the commands can be confusing. Consult the Command Reference Manual for more information, if needed.

As in system mode, the USE command should be used first. Then set SCANMODE ON. The high speed voltmeter is now in the scanner mode. The CONF command can be sent next, which puts the voltmeter in a predefined state. The state for scanner mode is different than the one for system mode. Consult the Command Reference for the differences. SCTRIG HOLD can be sent instead of CONF. It acts the same way as TRIG HOLD for system mode, that is, it only suspends triggering. Use the FUNC command with SCTRIG HOLD. Next set RANGE/ARMODE. ARMODE specifies when autorange will be performed. The AFTER parameter puts the voltmeter in a mode where autoranging is done after a measurement trigger. This is the default mode and will work well for most applications. The only exception is when gathering data for FFT's. In the ARMODE AFTER setting, there is a slight amount of timing jitter between the measurement trigger and the actual measurement. ARMODE BEFORE does away with the jitter by autoranging in a look-ahead fashion before the measurement trigger. The example sets a fixed range. TERM, RDGS and RDGSMODE have the same function as in system mode. NRDGS is slightly different in scanner mode. NRDGS sets the number of readings per channel. The number allowed depends on the TERM setting. AZERO, PERC and SLOPE have the same function as in system mode. SCSLOPE is a command used only in scanner mode. It sets the slope of the scan trigger source in SCTRIG EXT, MEAS or GPIO. TRIGOUT and TRG have the same functions as in the system mode. TRIG sets the source for the measurement triggers in scanner mode. This is the lowest trigger level of the voltmeter. Consult the 44702 Configuration and Programming Manual for details of scan and measurement triggering.

The following commands refer to scan and measurement programming. They are unique to the scanner mode. SPER sets the time interval between successive measurement triggers when TRIG INT is specified. SCDELAY sets the time between the scan trigger and the first measurement trigger at the start of a scan, as well as, the time between successive scan triggers. The number of scans before the stop trigger is enabled is set with PRESCAN. POSTSCAN sets the number of scans after the stop trigger. These two commands allow data to be captured around an event. There will be an example program showing how to do this later. After this, ASCAN sets whether scans will start automatically at the completion the previous scan (ASCAN ON), or will require a separate scan trigger for each pass through the scanlist (ASCAN OFF). CLWRITE is only valid in scanner mode with TERM set to RIBBON. CLWRITE specifies the channel and range list, as well as, setting the analog bus configuration on the ribbon cable. STSLOPE sets the slope of the stop trigger when the stop trigger is set to an external source or threshold trigger. STTRIG sets the stop trigger source. In scanner mode, the scan trigger source set with the SCTRIG command starts the high speed voltmeter. If the ribbon cable is used, after a SCTRIG command is issued, the voltmeter works independently. It can be thought of as a measurement subsystem. The CHREAD and XRDGS commands remove measurements from the HP44702 voltmeter. MEAS can also be used in the scanner mode. However, MEAS changes some parameters, so it must be used with caution. Consult the Command Reference to see the parameters that are changed. If MEAS is used, SCTRIG performs the same function as STRIG does in the system mode. MEAS is used in the example for simplicity. The other scanner mode commands will be used in the application examples.

III. Applications

The two previous examples illustrate how simple it is to take measurements with the HP44702 if the application is not complicated. This is often not the case. Many users will want to use the more advanced features of the high speed voltmeter. The following application examples show a few typical instances of the use of these more advanced features. Each application example illustrates a particular use of the HP44702 High Speed Voltmeter.

Example 1: Using Interrupts with the HP44702

One source of confusion arising from the use of the high speed voltmeter is how to use its interrupt capabilities. There are four interrupt choices available to the user. RDGSMODE specifies when interrupts occur and when data is available. The default mode is DAV which stands for Data Available. With this parameter specified, the voltmeter interrupts when it has any reading available. This is used when you want the voltmeter to signal when any reading is available or when you want to take out readings immediately. In the BURST mode, the voltmeter interrupts when there is only room for 4K more readings in the voltmeter reading buffer. Use this mode when you want the mainframe to be free to do other things (like service other interrupts) while readings are being taken. Data is not available until the interrupt occurs. When END is specified, the interrupt occurs after the end of the scan sequence. Data is available immediately, however. Use END when you want to signal the end of the scan, but wish to take some of the readings out of the buffer before the scan sequence is finished. If COMPLETE is set in the RDGSMODE command, data is available and the interrupt occurs at the end of the scan sequence. Since data may be overwritten, this mode can be used to capture a window of data around an event. The only limitation to the size of the window is the size of the voltmeter reading buffer. If a larger window of data is needed, other techniques must be used. These will be shown in a later example.

Refer to the program listing in Figure INTR during the following discussion. This example demonstrates the use of the voltmeter interrupt to signal the HP3852 mainframe when the scan sequence is finished. The mainframe is free to do other things while waiting for the interrupt. The readings are accessed when the interrupt is received. A subroutine called TAKE_RDG sets up the voltmeter. Then the subroutine called X transfers the readings.

The USE, SCANMODE, CONF and RANGE commands configure the voltmeter in the subroutine called TAKE_RDG. Then the interrupt is set up.

```
180 OUTPUT 709;" RDGSMODE END"  
190 OUTPUT 709;" SPER 250E-6"  
200 OUTPUT 709;" ENABLE INTR"  
210 OUTPUT 709;" CLWRITE SENSE 500-509"  
220 OUTPUT 709;" SCTRIG SGL"
```

The RDGSMODE END command sets the voltmeter to interrupt after the scan is finished. Then the SPER command sets the period between measurement

triggers. The interrupt is enabled by the ENABLE INTR command. This command only sets up the interrupt at the module; the system level interrupt must also be enabled later. The CLWRITE command sets the configuration of the ribbon cable analog bus and sends the channel list to the voltmeter. SCTRIG then triggers it.

The subroutine called X, consists of a single command.

```
260 OUTPUT 709;" XRDGS 600,RL64"
```

This command will transfer the readings from the voltmeter after the voltmeter has interrupted the HP3852 mainframe. Note that the format specified is RL64 to increase transfer speed. This binary format is compatible with the internal real binary format of the Series 200/300 so that no formatting on either the controller end or the HP3852 end is necessary.

```
290 OUTPUT 709;"ON INTR USE 600 CALL X"  
300 OUTPUT 709;"ENABLE INTR SYS"  
310 !  
320 OUTPUT 709;"CALL TAKE_RDG"  
330 ENTER @Cformoff;A(*)
```

The interrupt from the voltmeter is directed with the ON INTR command in line 290 to call subroutine X. System interrupts are enabled on the following line. Recall that the module interrupt was enabled earlier in line 200. The set up for measurement sequence is now complete. All that is required to set the process in motion is to CALL the measurement subroutine and acquire the data in lines 320 and 330. The controller will wait on the ENTER statement until the voltmeter completes its measurement sequence, signals the mainframe, and the mainframe begins to output data.

Example 2: Using GPIO with the HP44702

The full speed capabilities of the HP44702 are available with the use of the GPIO interface. Triggering, interrupts and data can all be passed via this interface. Refer to the program listing in Figure GPIO during the following discussion. This example demonstrates triggering, interrupt handling and data transfer over GPIO with the HP44702 High Speed Voltmeter. The voltmeter is set up via HPIB, then triggered over GPIO. When the scan sequence is complete, a GPIO interrupt is generated. The controller then reads in the data in packed format. The data is then unpacked using the routine furnished.

Setting up the I/O paths in the Series 200/300 is the first thing that must be done. The ASSIGN statements accomplish this. Next, program the GPIO interrupt.

```
130 ON INTR Gpio GOSUB Get_rdgs  
140 Eir_=1  
150 ENABLE INTR Gpio;Eir-
```

The ON INTR statement directs the controller to a routine called

Get_rdgs. This routine will acquire the data from the voltmeter. Then, the ENABLE INTR command enables the interrupt and sets the mask. Only EIR interrupts are enabled in this case.

Next, set up the voltmeter over HPIB. The USE and SCANMODE commands are similar to the commands in the previous example. The CONF command puts the voltmeter in a state to measure two wire ohms up to 10 K ohms. Then set up the voltmeter for GPIO operation.

```
220 OUTPUT 709;"RDGS GPIO"  
230 OUTPUT 709;"RDGSMODE BURST"  
240 OUTPUT 709;"SCSLOPE HL"  
250 OUTPUT 709;"SPER .10"  
260 OUTPUT 709;"ENABLE INTR"  
270 OUTPUT 709;"CLWRITE COM 500-509"  
280 OUTPUT 709;"SCTRIG GPIO"
```

The RDGS command directs the data and interrupts to the GPIO port of the voltmeter. The RDGSMODE command will not make data available until there is room for only 4096 readings in the voltmeter buffer or when the scan sequence is complete. In this case, RDGSMODE COMPLETE would have done the same thing as BURST since the number of readings is small. However, RDGSMODE COMPLETE allows readings to be overwritten which is undesirable in this application. Set the slope of the GPIO trigger with the SCSLOPE command. The SPER, ENABLE and CLWRITE commands set the sample period, enable the interrupt and select the channels to be scanned. Then the SCTRIG command sets the scan trigger source to GPIO. At this point, the voltmeter is ready to accept a trigger and begin the scan sequence. However, further programming over the GPIO interface is necessary to get data and trigger the voltmeter. Since the voltmeter is being programmed from two different sources, HPIB and GPIO, care must be taken to insure that the two interfaces do not get out of synchronization. A good way to do this is to monitor the BUSY bit in the status register with the SPOLL command. The BUSY bit will not be released until the HPIB commands have been completed. This assures that the voltmeter is programmed via HPIB before the user attempts to program it via the GPIO interface.

```
300 WHILE NOT BIT(SPOLL(709),4)  
310 END WHILE  
320 !  
330 CONTROL Gpio,2;5  
340 OUTPUT @Gpio USING "#,W";4  
350 CONTROL Gpio,2;4  
360 !  
370 CONTROL Gpio,2;6  
380 CONTROL Gpio,2;4
```

The WHILE loop waits until the HP3852 is ready (BUSY bit is cleared). Then the CONTROL and OUTPUT statements in lines 330 through 350 select the data register. These statements tell the voltmeter to output data on the GPIO interface. The voltmeter now only requires a trigger to begin. The CONTROL statements in lines 370 and 380 accomplish this. The voltmeter is actually triggered at the first CONTROL statement (remember the SCSLOPE command); the second command just returns the trigger bit to

its original state. The voltmeter now begins to take readings and will signal the controller, via the GPIO interrupt, when the readings are ready to be transferred. An ENTER statement accomplishes the transfer. The user must keep in mind that the data returned is in PACKED format since the HP3852 mainframe is not available to do formatting on the GPIO interface.

This brings us to the unpacking routine, which starts at the line label Unpack. This routine is written in BASIC but could just as easily be written in a CSUB. The packed data comes out as sixteen bits. The most significant bit is the good reading bit. It will always be a 1 for a good reading. This corresponds to a negative integer so the Unpack routine gives a bad reading (1.0E+38) if the integer is positive. The next two most significant bits are the range bits. A correct reading requires the mantissa to be divided by one of four values dictated by the range bits. The four values are shown in Figure UNPK, as well as, the bit configuration of the data word. The next most significant bit is the sign bit and the remaining twelve bits are the mantissa. The mantissa is the total number of voltmeter counts. The reading is evaluated as a positive number and then negated if the sign bit is negative.

Example 3: Capturing a Window of Data Around an Event

Often, a user wants to acquire data about an event that happens at an unknown time. In many of these cases, the user wants some data about the events leading up to the phenomenon, as well as, data after the event. Examples include seismic testing, failure analysis and capturing random transient events. The HP44702 Voltmeter can make this type of measurement. In this application, the voltmeter will record data both before and after an event. The event will be signalled by the value of the measurement on the first channel. When the value of the measurement crosses a threshold value in the proper direction, that will be the signal to stop. Data will be kept from before the event in addition to data taken after the event. The key to success in this application is to use the stop trigger capability of the High Speed Voltmeter. Threshold triggering is used to reject similar but lower level events.

Refer to the example program in Figure EVNT during the following discussion. In this example, the voltmeter is set up and triggered. It takes readings until it receives a threshold stop trigger, then the final set of readings is taken and an interrupt is generated. The interrupt routine outputs the readings to the controller. The RESET, USE and SCANMODE commands are similar to the commands used in previous examples. Next, SCTRIG HOLD and FUNC commands disable scan triggers and set the function. A CONF command could have been used instead of SCTRIG and FUNC, but these commands were used for variety. Remember, when using SCTRIG and FUNC rather than CONF, all parameters of the voltmeter must be specified to insure a known state since these commands only suspend triggering and set function; they do not change any other settings. The range, terminals and readings destination are set next with RANGE, TERM and RDGS, respectively. The interrupt and threshold are set next.

```
220 OUTPUT 709;"RDGSMODE COMPLETE"
```

```
230 OUTPUT 709;"PERC 80"
```


With RDGSMODE COMPLETE set, data is not available nor is the interrupt asserted until the scan sequence, consisting of the number of prescans immediately preceding the stop trigger and the number of postscans after, is completed. Data in the buffer of the voltmeter is overwritten. Scans occur until a valid stop trigger is received. A valid stop trigger occurs when the measured value of the first channel in the scan list crosses a set percentage of the full scale range in the proper direction. The percentage is set with the PERC command and represents the percent of the full scale on the particular range. Use a range other than autorange when using threshold triggering since the value represented by the percent on one range is very different from the value represented by the same percent on a higher or lower range. The percent remains the same in autorange, but the value changes with each range. In this example, the threshold is set to 80% of full range (80% of 2.56V = 2.05V).

```
240 OUTPUT 709;"SPER .05"  
250 OUTPUT 709;"SCDELAY .01,.5"
```

The combination of the SPER and SCDELAY commands with the channel list of ten channels causes readings to be taken at equally spaced intervals of .05 seconds. The SPER command sets the interval between successive measurement triggers. Then the SCDELAY command sets the interval between successive scan triggers. Since there are ten channels being measured, the scan pace parameter of SCDELAY (.5 seconds) is set to ten times the SPER setting (.05 seconds) to get equal intervals between all the channels. The interval between the last channel in the scan and the first channel in the next scan will be the same as the interval between the channels within the scan. All the measurements will be spaced at equal time intervals.

The interrupt is enabled next with ENABLE. Then the number of prescans and postscans is set to five each and the channel list is set with the CLWRITE command. The entire number of prescans must be completed before the stop trigger will be enabled. The channel that will be monitored for threshold trigger is channel 500 in this example. Remember that it is always the first channel in the channel list that is monitored.

The last thing that must be done in the set up is to set the slope and source for the stop trigger. In the example, the STSLOPE command sets the slope to a falling edge. The stop trigger is set with STTRIG MEAS to threshold triggering. The measurement process now only requires a scan trigger to begin.

As mentioned above, the intent in this application is to have the voltmeter hold the data in its reading buffer until the scan sequence completes and then pull the interrupt. When that interrupt is received, the readings need to be output to the controller. An interrupt service routine in the HP3852 mainframe can accomplish this. The subroutine is called X and consists of a single statement, XRDGS. Note again that the output format is RL64, a binary format. This was done to increase transfer speed. ON INTR directs the accessory interrupt to the subroutine, and the system interrupt is enabled to allow the interrupt to be

recognized and serviced. The SCTRIG INT command starts the scan sequence. The INT parameter is used so that the scan pace parameter of SCDELAY will be used to pace the scans. Once the SCTRIG command is sent, the voltmeter will take the specified number of prescans and then enable the stop trigger. Scans will continue until a stop trigger is received. That stop trigger will happen when the value of channel 500 crosses 2.05V from a higher previous value. The result will be one hundred readings, five on each channel before the stop trigger (50 total) and five on each channel (50 total) after the stop trigger. This data represents a window around the stop trigger event.

Example 4: Synchronizing Two or More Voltmeters

Some applications require that data be taken simultaneously on two or more different channels or sets of channels. A common way to accomplish this is to use two voltmeters and synchronize them. The HP44702 Voltmeter has a trigger out BNC connector to allow easy synchronization with other HP44702's. This application example will show a way to externally trigger a voltmeter, as well as, a way to synchronize them.

There are two basic ways of implementing this type of application. The first way is to simply set up both voltmeters identically and trigger them with the same signal. The voltmeters then work independently of each other after the initial trigger. Another approach to the problem is to have one voltmeter act as the master and the other voltmeter be the slave. In the first implementation, there is some risk of the voltmeters being slightly out of synchronization due to small variations in the pacer clocks of each voltmeter. The second implementation assures synchronization since only the pacer clock of the master is used to control all the voltmeters. This second type of implementation is used in the example.

Refer to the program listing in Figure SYNC during the following discussion. The two voltmeters in this application are set up and triggered in separate subroutines appropriately named MASTER and SLAVE. Then the two subroutines are called. The main program in the Series 200/300 controller pauses until the external triggers are received and all the readings taken. Then the readings are taken out of the voltmeters in REAL binary format.

The subroutine called MASTER sets up the master voltmeter first. The USE, SCANMODE and CONF commands do the initial set up. Note that the function set in the CONF command is two wire ohms. The slave will be set up to measure volts. It is not necessary that both voltmeters be set up for the same function, but they should have the same number of channels and scans in their respective scan sequences. The master will be set up to scan trigger externally so the SCSLOPE command is necessary to set the trigger edge. In this example, it is set to falling edge. The TRIGOUT command is the key to synchronizing multiple voltmeters. With TRIGOUT ON, measurement trigger pulses are output on the EXT 0 BNC. By connecting a cable from the EXT 0 BNC to the slave BNC external input, measurement trigger pulses from the master will trigger the slaves at the same time. In the example, the SPER, PRESCAN and CLWRITE commands are similar to those discussed previously. The last command in the

subroutine is SCTRIG EXT1. It sets the master voltmeter to accept external triggers at the EXT 1 input for each scan. These scan triggers need not come at regular intervals. Both voltmeters will remain synchronized with the measurement triggers being output at the EXT 0 BNC of the master. When the subroutine is called, the master will be waiting for external triggers to start its scans.

The slave voltmeter is set up in the subroutine called SLAVE. The slave voltmeter is set up with USE, SCTRIG HOLD, FUNC and TERM commands instead of the CONF command. Since the slave will be triggered from the master, its lowest level triggers, the measurement triggers, will be set to external. The SLOPE and TRIG commands set the trigger edge and source respectively. The ASCAN command causes the slave to automatically advance to the next scan while awaiting the next measurement trigger. Note that the number of PRESCANS and the number of channels in the scan list agree with the corresponding values set for the master. The last command in the subroutine is the SCTRIG SGL command. This command triggers the scan sequence and the slave voltmeter then waits for its external measurement triggers.

All that is necessary is for both subroutines to be called with the CALL command. The slave subroutine should be called first and then the master subroutine. When the slave subroutine is called, the first scan on the slave voltmeter begins and the voltmeter waits for measurement triggers to take readings. The measurement triggers will come from the master voltmeter. The master subroutine starts the whole measurement process. When it is called, the master will output trigger pulses after it is triggered from an external source. The controller is paused until all the readings are taken. Then the controller is continued and the readings are transferred to the controller.

Example 5: Programming Voltmeters in Real Time

In some applications, a single voltmeter set up won't do an adequate job of taking measurements. The ability to stop the voltmeter and reprogram it to a different state without unduly disrupting the measurement process could be valuable. This application example shows a method to reprogram the voltmeter in an interrupt service routine to a different state and then retrigger it to take readings again. All the readings are kept in the same array with the boundary indices of the different measurement states logged in variables to facilitate later evaluation.

Refer to the program listing in Figure RTPRG during the following discussion. In this application example, the HP44702 High Speed Voltmeter will be triggered by an interrupt on a digital input card to begin taking readings. The readings will be taken on a single channel at intervals of 20 milliseconds until a second interrupt is generated on the same digital input channel. Then the readings will be read into the array, the index logged, the voltmeter reprogrammed and the interrupt on the digital input redirected. When a third interrupt is generated on a different digital input channel, readings are read into the same array, the index logged and the voltmeter restarted. A fourth interrupt on the first digital input channel causes the measurement sequence to complete. The last readings are read out and the final array index saved.

Since this application is entirely interrupt driven, all the triggering and data transfer commands are in subroutines. The program listing shows the voltmeter being set up first to take continuous readings on one channel at 20 millisecond intervals. The range, function, scan delay and pacing, channel list and stop trigger are set accordingly. The interrupt subroutine called X issues the scan trigger to start the measurement sequence. Since a subroutine must exist before it can be called or have interrupts directed to it, the subroutines are entered into the HP3852 in reverse order. That means that the user must enter the last subroutine to be called in the HP3852 first.

```
260 OUTPUT 709;"SUB Z"  
270 OUTPUT 709;" STTRIG SGL"  
280 OUTPUT 709;" XRDGS 600 INTO A"  
290 OUTPUT 709;" INDEX? A INTO X3"  
300 OUTPUT 709;"SUBEND"
```

This terminating subroutine consists of a stop trigger command which terminates the scan sequence, an XRDGS command to transfer the readings and a command to log the position of the of the last reading. All the other subroutines begin with commands similar to these three.

```
310 OUTPUT 709;"SUB Y"  
320 OUTPUT 709;" STTRIG SGL"  
330 OUTPUT 709;" XRDGS 600 INTO A"  
340 OUTPUT 709;" INDEX? A INTO X1"  
350 OUTPUT 709;" CLWRITE SENSE 500-501"  
360 OUTPUT 709;" SCDELAY 0,0.5"  
370 OUTPUT 709;" SCTRIG INT"  
380 OUTPUT 709;" ON INTR USE 216 CALL Z"  
390 OUTPUT 709;" ENABLE INTR USE 216"  
400 OUTPUT 709;"SUBEND"
```

This subroutine has all the elements of the application. Measurements are gathered in the first three commands just as in SUB Z. The next command, CLWRITE, changes the channel list to include a total of two channels. The SCDELAY command changes the pacing of the scans. The time between measurement triggers on the two channels was set in the voltmeter initialization section with the SPER command. The voltmeter is then retriggered with SCTRIG. Finally, the interrupt on the digital input channel is redirected to use sub Z as a service routine and then enabled with ON INTR and ENABLE. Thus, the voltmeter has been reprogrammed and the interrupt redirected.

The starting subroutine, X, consists of just a scan trigger and an interrupt redirection set of commands. The last subroutine, T, is being called when an interrupt occurs on the second digital input. This subroutine gathers the data and logs the index, then it restarts the voltmeter. Since the second digital channel will be used as an interrupt source only once, it is not necessary to redirect it.

Before all the subroutines can be called, the interrupts must be set up for the digital input channels. This requires that the edges be set, the initial service subroutine designated and the channel and system

interrupts enabled. After this is done, the entire process is ready to begin.

When an edge appears at the first digital input, the subroutine called X is executed. The voltmeter begins to take readings at the rate of one reading every 20 milliseconds on channel 500. When the next valid edge occurs at the first digital input, the voltmeter is reprogrammed to take readings on channels 500 and 501 at 500 millisecond intervals. When an interrupt occurs at the second digital input channel, the voltmeter readings are gathered and the voltmeter restarted. Finally, at the last interrupt which occurs on the first digital input channel, the measurement sequence stops and the data is stored in the array.

Obviously, it takes some amount of time to reprogram the voltmeter and the interrupts. In this particular application, speed was not a critical issue. This type of approach will not work as well when interrupts are coming at close time intervals since the voltmeter may have just been restarted when a new interrupt occurs and will not have taken many readings. The example does illustrate that voltmeter measurement parameters can be changed in the middle of an application.

Example 6: Continuous Data Acquisition

There are often applications which require data to be taken for long periods of time. In many of these cases, a large amount of data is desired about an event but it is not known when the event will occur. The HP44702 voltmeter is a natural fit for this type of application since it can be programmed and left alone to take readings by itself. If less than 64K readings are desired, the output buffer of the HP44702B can accommodate all the data. However, if more than this number of readings is desired, other methods must be used. The basic idea presented here is to create a large circular buffer using high level software. Luckily, Series 200/300 BASIC with its rich I/O handling capabilities allows us to do this. This section will show three examples of continuous data acquisition with the HP3852 and a Series 200/300 controller running BASIC.

Hardware and Software Options

First we need to recognize some of the system limitations. The HP44702 can take readings at a rate of 100 thousand readings/second. Since each reading is two bytes, this translates to a transfer rate exceeding 200 thousand bytes/second. This can be a big problem if full voltmeter speed is needed. GPIO has the capability of transferring data at these kinds of speeds. If high speeds are not a necessity, other means besides GPIO can be used. Passing data over HPIB is an alternate possibility. However, some speed penalty is paid since all the data must first go through the HP3852 mainframe. Speeds achievable over HPIB are approximately 35 thousand readings/second. We will discuss the issues necessary to implement three different examples.

The I/O software capabilities of the Series 200/300 controllers running BASIC are quite good. The customer has two options available to move data from the HP3852 to the controller, the ENTER statement and the

TRANSFER statement. Each command involves choices in ease of programming, speed, the way data is stored and whether or not the task will run in foreground or background. Which command statement to use is often dictated by the way in which the data is to be stored in the controller. If the data can be stored in an array in the controller, both TRANSFER and ENTER may be used. If the data is to be stored in a file, then TRANSFER is the preferred command. The ENTER statement is the easiest to use. Since it runs serially, it is a foreground task and completely occupies the controller. For continuous data acquisition, customers may not want to tie up their controller in this way. The TRANSFER statement allows data transfer to run either in the foreground or in the background. Since the TRANSFER statement also gives the best data transfer speed, this note will concentrate on the use of the TRANSFER statement option.

Data Transfer Models

There are several ways to model the data transfer process. Each has advantages and disadvantages associated with it. One way to model the process is to pass the data into an array (see Fig. CDAARR). The ENTER command would be used normally in this situation. Since it runs serially, however, a speed penalty is encountered in some applications. There are other problems with this method also. If the number of readings to be transferred is not known, as is the general case in continuous data acquisition, the ENTER statement can hang up waiting for data and lock up the controller. This is a typical problem when trying to fill large arrays of data. Even when receiving data in small blocks, this model is cumbersome because of the difficulty of appending new data to data already in an array.

Passing the data into an array configured as a buffer affords much greater flexibility (see Fig. CDABUF). The customer can now use the TRANSFER command. This model turns out to be the easiest and most flexible to implement for continuous data acquisition. It can also be used for both HPIB and GPIO data transfers. It works like this. The high speed DVM takes data which is sent to the controller and stored in a buffer. The buffer is an array of data in the controller of sufficient size to hold all the data of interest. When the data fills the buffer, the TRANSFER statement terminates. Readings are then buffered in the local buffer of the high speed DVM until the TRANSFER is restarted. You can see that this is only possible if the transfer rate to the controller is faster than the reading rate. This is indeed the case and this model works well as a result.

A third model is one in which data is passed from the high speed DVM through the controller to a file (see Fig. CDAFL). Such a file can exist on disc or in a memory volume. The procedure is the same in either case. The model works like this. Readings are taken by the high speed DVM and sent to a buffer in the controller via GPIO. At the same time, readings are taken from the buffer and copied to a file residing in a memory volume or on disc. Again you can see that the reading rate must be slower than the transfer rate to the buffer or file if data is to be taken continuously. The writing speed of the disc is generally the limiting factor when sending data to a disc file. Check to be sure that

the disc drive can receive data at the speed necessary for the particular application. The buffer in the controller does not need to be as large as the amount of data to be recorded since it is just an intermediary in the process. TRANSFER statements are used for both the incoming and outgoing data transfers for maximum speed. For the following examples follow the flow chart for clarity (Fig. CDAFC).

Example 6A: Data Transfer Over GPIO to Buffer

Refer to Fig. CDAl while reading about this example. The simplest example to implement is data transfer via GPIO to an array configured as a buffer in the controller. At first, using an array as a buffer may seem to be a restriction since only 32767 elements are allowed per dimension. However, more than one dimension can be used to obtain as large an array as necessary to hold the data. A typical group of set up commands would look like this.

```
.  
. .  
200 INTEGER S300_buff(1:32767) BUFFER  
. .  
310 ASSIGN @Hp3852 TO Hpib_addrs  
320 ASSIGN @Gpio TO Gpio_addrs  
330 ASSIGN @Path_3852 TO Gpio;WORD  
340 ASSIGN @S300_buff TO BUFFER S300_buff(*);FORMAT OFF  
. .
```

In line 200, the INTEGER statement configures the array as a buffer with the BUFFER suffix. The first two ASSIGN statements are straightforward. The third ASSIGN statement sets up the GPIO path with the WORD attribute. This path will be used to handle the 16-bit data coming from the DVM. The FORMAT OFF attribute in the last ASSIGN statement is used to increase speed and insure data integrity since the data will be in a form that is a valid integer, even though the data is in a packed format.

The DVM must now be programmed to take the readings. In this example, the DVM will be set up to take DC voltage readings on one channel continuously. The high speed FET multiplexer will be attached to the DVM with the ribbon cable and will send its readings out over the GPIO port.

```
. .  
440 OUTPUT @Hp3852;"USE 600; SCANMODE ON; SCTRIG HOLD"  
450 OUTPUT @Hp3852;"FUNC DCV; RANGE 2.5; TERM RIBBON; RDGS GPIO"  
460 OUTPUT @Hp3852;"NRDGS 1; SPER 10E-6; SCDELAY 16E-3; ASCAN ON"  
470 OUTPUT @Hp3852;"CLWRITE SENSE 500; STTRIG HOLD"
```

```

.
.
510 CONTROL Gpio_addrs,2;5      ! Set control line 0 low, DVM expects addr
520 OUTPUT Gpio_addrs USING "#,W";4 ! Set read register address to 4.
530 CONTROL Gpio_addrs,2;4      ! Set control line 0 high, DVM sends data.
.
.

```

The key command to set the DVM up to take continuous readings is the STTRIG HOLD command in line 470. This command disables the stop trigger on the high speed DVM which allows the DVM to continue taking readings indefinitely. With ASCAN ON in line 460, only an initial trigger is required. Subsequent scans start automatically. Note the CONTROL statements. They are necessary to set up the GPIO transfer. Consult the Plug-In Accessories Programming Manual (P/N 03852-90002, pp. 3-49 through 3-65) for further detail. The SPER and SCDELAY commands set the pacing of the readings.

To implement the circular buffer in software, we need to be able to restart the transfer process when the buffer in the controller fills and stop the process when the data of interest has been taken. Interrupts are used to accomplish this. The Series 200/300 is set up to interrupt on an END OF TRANSFER (EOT) and on an SRQ in this example. The interrupt in the HP3852 is set to pull SRQ on a rising edge of the first channel of a digital input card in slot 2.

```

.
.
.
580 ON EOT @Path_3852,5 GOSUB Xfer_done
590 ON INTR 7 GOSUB Terminate      ! HP1B interrupt (SRQ)
610 ENABLE INTR 7;SRQ_mask
620 OUTPUT @Hp3852;"ENABLE INTR SYS"
630 OUTPUT @Hp3852;"RQS ON; RQS INTR"
640 OUTPUT @Hp3852;"EDGE LH USE 216"
650 OUTPUT @Hp3852;"ENABLE INTR USE 216"
.
.
.

```

All that is required now is to trigger the DVM and start the data transfer. A TRANSFER statement is executed which will terminate on a count and run continuously. Then a trigger is sent to the high speed DVM to start taking readings.

```

.
.
.
670 TRANSFER @Path_3852 TO @S300_buff;COUNT 65534,CONT
680 OUTPUT @Hp3852;"SCTRIG SGL"
.
.

```


The high speed DVM in the HP3852 will now take readings and transfer them until the TRANSFER terminates. At that time, an EOT interrupt will be generated in the controller and the TRANSFER can be restarted in the interrupt subroutine called Xfer_done.

```
.  
. .  
890 Xfer_done:RESET @S300_buff  
900 TRANSFER @Path_3852 TO @S300_buff;COUNT 65534,CONT  
920 RETURN  
. .  
.
```

When the SRQ interrupt comes from the HP3852, a termination subroutine is called.

```
. .  
950 Terminate: WAIT .05      ! Take more data after the interrupt.  
960 OFF EOT @Path_3852      ! Cancel inbound EOT.  
970 ABORTIO @Path_3852      ! Clean up GPIO path.  
980 ASSIGN @Path_3852 TO *  
990 STATUS @S300_buff,3;Fill_ptr ! Read ending fill pointer.  
. .  
.
```

Reading the fill pointer in line 990 allows the programmer to know where the last reading was entered. The buffer can then be read back beginning with the last reading.

Example 6B: Data Transfer Over GPIO to File

Refer to Fig. CDA2 while reading about this example. This example is useful for storing the data of interest in a file. The file can be on a memory volume or on a disc. If storing data on disc, pay careful attention to the transfer rates available for the particular disc you are using. A good guide for approximate transfer rates can be found in Table 4-1, p.4-12 of the HP44456 System Software Manual (P/N 44456-90001). The set up commands look like this.

```
. .  
280 INITIALIZE ":MEMORY,0,1",512 ! Create memory volume  
290 CREATE BDAT "File_name:MEMORY,0,1",384,256 ! Total bytes=98304  
. .  
330 ASSIGN @Hp3852 TO Hpib_addr
```

```

340 ASSIGN @Gpio TO Gpio_addr
350 ASSIGN @Path_3852 TO Gpio_addr;WORD
360 ASSIGN @S300_buff TO BUFFER [Buff_size];FORMAT OFF
370 ASSIGN @File_name TO "File_name:MEMORY,0,1"
.
.
.

```

Lines 280 and 290 create a memory volume and a file on that volume. Note that the file is a binary data file. Also note that in line 360 an unnamed buffer is declared. This buffer will act as the intermediary buffer to hold the data between the inbound and outbound TRANSFER statements. The buffer size should be an integral number of 256 byte blocks for greatest speed. A typical size is 16 to 32 Kbytes.

The DVM set up is identical to the set up in the previous example. The interrupt set up is also the same except that the EOT is generated from the destination file TRANSFER.

```

.
.
.
600 ON EOT @File_name,5 GOSUB Xfer_done
.
.
.

```

Starting the DVM and transferring the readings is considerably more involved in this example.

```

.
.
.
710 TRANSFER @Path_3852 TO @S300_buff;COUNT Xfer_length,
      EOR (COUNT Rec_length),CONT
720 TRANSFER @S300_buff TO @File_name;COUNT Xfer_length,
      EOR (COUNT Rec_length),CONT
730 OUTPUT @Hp3852;"SCTRIG SGL"
.
.
.

```

The variables Xfer_length and Rec_length should be an integral number of 256 byte blocks for greatest speed. Xfer_length is the total number of bytes of data of interest. It is normally larger than the size of the buffer in the Series 200/300 controller. It is important that Rec_length be an integral number of blocks to speed up DMA transfer of the data. When an EOT is generated at the destination file, the subroutine Xfer_done is called as before. However, it is necessary to reset both the record and byte pointers to the start. This is done with a CONTROL command.

```

910 Xfer_done: CONTROL @File_name,5;1,1 ! Reset record and byte
                                         pointers to start.
920 TRANSFER ... ! Same as line 710
930 TRANSFER ... ! Same as line 720
940 RETURN
.
.
.

```

The HP3852, Series 200/300 controller and disc, if used, are now taking data continuously. To stop the process, the HP3852 will generate an SRQ from a digital input. A termination routine similar to the previous example is called in the controller to complete the data transfer.

```

.
.
.
970 Terminate: WAIT .05 ! Take more data after the interrupt.
980 OFF EOT @File_name ! Cancel outbound EOT.
990 ABORTIO @Path_3852 ! Clean up GPIO path.
1000 ASSIGN @Path_3852 TO *
1010 ABORTIO @File_name ! Clean up file path
1020 STATUS @File_name,5;End_rec_num,End_byte_num
1030 ASSIGN @File_name TO *
.
.
.

```

In this example, the ending record and ending byte numbers are stored so that the data may be read back starting with the last entry (see line 1020).

Example 6C: Data Transfer Over HPIB to Buffer

Refer to Fig. CDA3 containing the listing for this example. This example is different from the previous two since only the HPIB path is used. A different interrupt structure is used in the HP3852. Continuous data acquisition is still implemented but in a different way in the HP3852 since both data and control is transmitted via the HPIB link. The HP3852 mainframe must move the readings from the high speed DVM into an array in the HP3852. The array is then read out to the Series 200/300 controller. This process takes place serially so speed suffers. With this method, 35 thousand readings/second can be achieved.

It may be instructive to compare Example 6A to this example to understand the differences between the HPIB implementation and the GPIO implementation. The set up commands look like this.

```

.
.
.
200 INTEGER S300_buff(1:24576) BUFFER
.

```

```

.
.
300 ASSIGN @Hp3852 TO Hpib_addrs
310 ASSIGN @Path_3852 TO Hpib_addrs;FORMAT OFF
320 ASSIGN @S300_buff TO BUFFER S300_buff(*);FORMAT OFF
.
.

```

As in Example 6A, the INTEGER statement declares a buffer in the controller. For greatest speed, note that the ASSIGN statements in lines 310 and 320 use the FORMAT OFF attribute.

The HP3852 and high speed DVM set up is also similar but somewhat different than Example 6A. The DVM will be programmed to take readings over the ribbon cable and one channel will be scanned repeatedly.

```

.
.
.
400 OUTPUT @Hp3852;"PACKED A(8191);INTEGER X"
430 OUTPUT @Hp3852;"USE 600; SCANMODE ON; SCTRIG HOLD; FUNC DCV"
440 OUTPUT @Hp3852;"RANGE 2.5; TERM RIBBON; RDGSMODE BURST; SPER 27.5E-6"
450 OUTPUT @Hp3852;"SCDELAY 16E-3; POSTSCAN 4096; ASCAN ON"
460 OUTPUT @Hp3852;"CLWRITE SENSE 500; STTRIG HOLD"
.
.

```

A packed array and an integer variable are declared in line 400. The array will be used to buffer readings in the HP3852 mainframe until they are read out. The variable will be used to hold a status word. In this particular example, a POSTSCAN command is used in line 450 to ensure that enough data will be available after the stop trigger to be read using an XRDGS command which will be described later. Also, the high speed DVM is set up to interrupt when there is room for only 4096 more readings in its buffer with the RDGSMODE BURST statement. This is done so that readings can be moved in large blocks into the memory array and out to the controller to increase speed.

The interrupts in this example are quite different than the previous examples. Two interrupts will be active in the HP3852 as well as the two in the controller which have already been described. One of the interrupt subroutines in the HP3852 will transfer the data from the high speed DVM into the array in the HP3852 and then from the internal array to the controller when the RDGSMODE BURST interrupt occurs. The other subroutine will send a stop trigger to the high speed DVM to end scanning. Then it will transfer a final block of data to the controller and assert SRQ. The terminating interrupt will again be generated by a digital input in the HP3852.

```

.
.
.

```

```

540 ON EOT @Path_3852,5 GOSUB Xfer_done      ! Same as Example 1.
550 ON INTR 7 GOSUB Terminate      ! HP1B interrupt (SRQ)
570 ENABLE INTR 7;SRQ_mask
580 OUTPUT @Hp3852;"SUB INTROUT; XRDGS 600,4096 INTO A; VREAD A,PACK"
590 OUTPUT @Hp3852;"  ENABLE INTR USE 600; SUBEND"
600 OUTPUT @Hp3852;"SUB XIT; STTRIG SGL USE 600; XRDGS 600,4096 INTO A"
610 OUTPUT @Hp3852;"  VREAD A,PACK; STA? INTO X; SRQ; BEEP; SUBEND"
620  !
630 OUTPUT @Hp3852;"ON INTR USE 216 CALL XIT"  ! Call termination sub.
640 OUTPUT @Hp3852;"ON INTR USE 600 CALL INTROUT" ! Call subroutine to
                                     transfer data.

650 OUTPUT @Hp3852;"ENABLE INTR USE 600"
660 OUTPUT @Hp3852;"RQS FPS; RQS ON"      ! Enable SRQ and mask.
670 OUTPUT @Hp3852;"EDGE LH USE 216"     ! Set edge on digital card.
680 OUTPUT @Hp3852;"ENABLE INTR USE 216"
690 OUTPUT @Hp3852;"ENABLE INTR SYS"     ! Enable 3852 interrupts.
.
.
.

```

Lines 580 through 590 contain the subroutine which sends the data to the controller. It is an interrupt routine that is called when an interrupt occurs from the high speed DVM (see RDGSMODE BURST in line 440). By using the XRDGS command followed by the VREAD command, we gain two advantages. The first is a speed increase since the command set up times are only incurred once for each command. The second advantage is that the HP3852 mainframe is not tied up sending data continuously and can thus do other tasks and service other interrupts. If you intend to use the HP3852 with this interrupt structure and the other tasks in the HP3852 take a long time to execute, the DVM buffer may fill before the interrupt subroutine can be called to take the data out. Be careful that this does not occur since the DVM will stop taking data when its buffer is full.

Lines 600 through 610 contain the termination subroutine. An STTRIG SGL command signals the DVM to begin the postscans. The last block of readings is then sent and SRQ is asserted. This signals the controller to begin its termination subroutine. The interrupts are now all activated.

The interrupts are now all activated. The whole data acquisition process must now be started by triggering the DVM and executing the TRANSFER statement in the controller.

```

.
.
.
710 Start: OUTPUT @Hp3852;"SCTRIG INT"
720 TRANSFER @Path_3852 TO @S300_buff;COUNT 49152,EOR (END)
.
.
.

```

The COUNT parameter in line 720 corresponds to the number of bytes in the buffer declared in the controller. The EOR (END) parameter is

specified so that the TRANSFER will not terminate since EOI is sent by the HP3852 after each block of data. When the buffer in the controller is full, an EOT interrupt is generated in the controller. The subroutine Xfer_done is called which resets the buffer and restarts the TRANSFER.

```
.  
. .  
. .  
930 Xfer_done: RESET @S300_buff  
940 TRANSFER @Path_3852 TO @S300_buff;COUNT 49152, EOR (END)  
960 RETURN  
. .  
. .  
. .
```

The HP3852 and Series 200/300 controller are now taking data continuously. When the signal to stop is received by the digital input card, the HP3852 goes into its termination subroutine and then signals the controller via the SRQ line to go into its termination subroutine. The termination subroutine in the controller is identical to the one in Example 1.

Final Considerations

Three different examples of continuous data acquisition have been described. They are by no means an exhaustive list of possibilities for applications of this type. They are presented here as examples of the capabilities of the high speed DVM in the HP3852 working with a Series 200/300 controller. Many other variations are possible. For instance, error checking is available over GPIO though it was not demonstrated in any of the examples. Additional control capabilities are also available over GPIO. Examples of both HPIB and GPIO data transfers were presented. Speed as well as some control capability is sacrificed with HPIB, however, for many applications HPIB data transfer may be completely adequate.

Other triggering modes are also available. A set number of prescans and postscans may be desired. This can be easily accomplished by changing the programming of the high speed DVM in the HP3852. External triggering for either scan or stop triggers can also be programmed. Considerable flexibility is possible in this area.

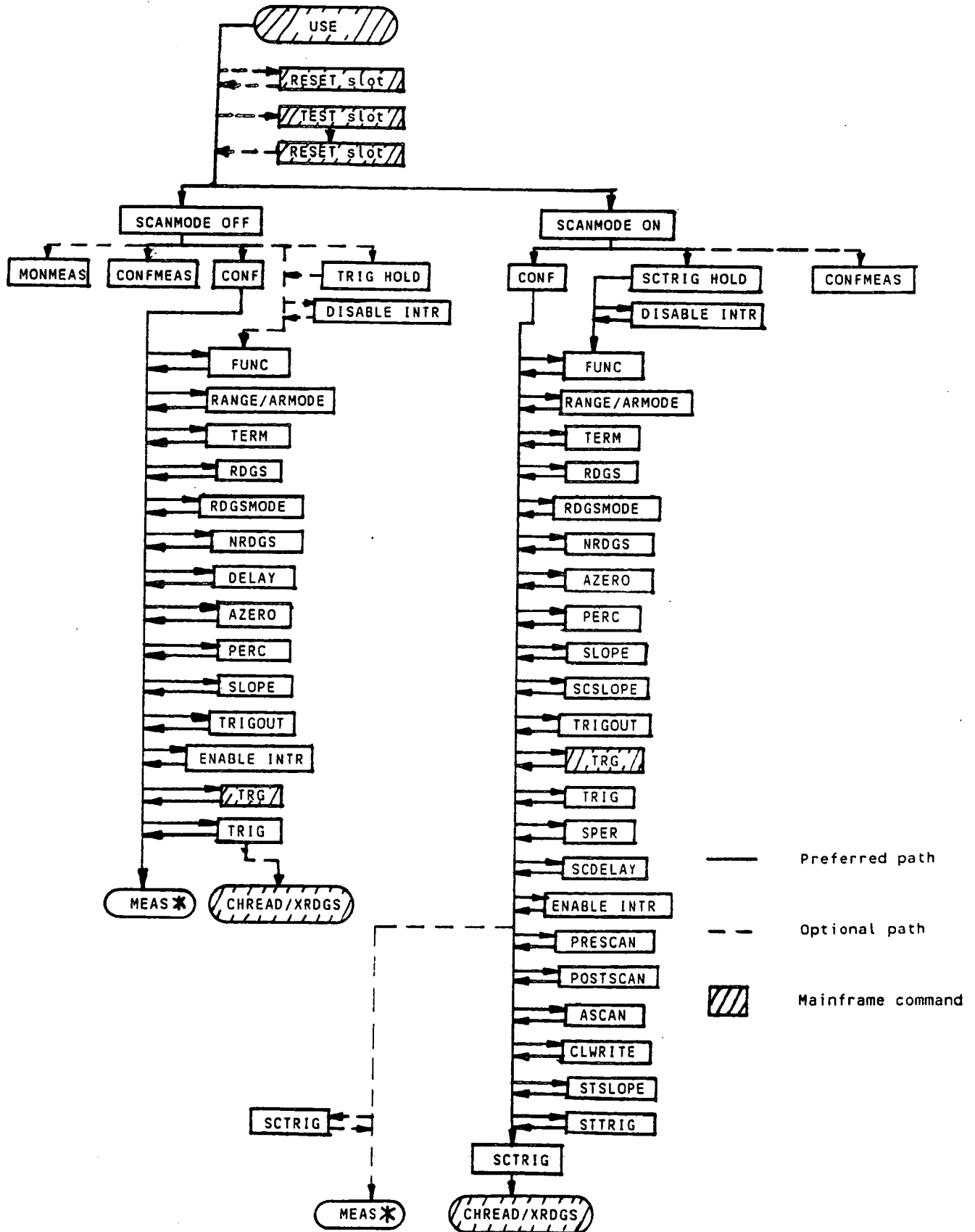
In these examples no mention was made as to how to get data out of the buffers or files. The key to this task is to save the pointers to the last entry in the buffer or file in the controller. Then the data can be read out of the buffer or file by beginning at the last entry and reading the data.

Where maximum speed is not important, more complex tasks can be performed in either the HP3852 or the Series 200/300 controller. The possibilities are many and varied. The examples presented here should be an aid in getting started on a continuous data acquisition application with the HP44702 and a Series 200/300 controller.

IV. Summary

Several application examples have been presented. They have ranged from simple examples like the first two which used the MEAS command, to very complex examples like the continuous data acquisition examples which used the low level commands. A GPIO example showed the capability of the 44702 with this interface. One example focused on the use of interrupts. Then interrupts were used in later examples. One example demonstrated a way to gather data around an event. Then the stop trigger feature was used in other examples. The external triggering capabilities were demonstrated in an example that showed how to synchronize two or more voltmeters. Interrupt driven programming was shown as an example also. The most difficult applications are the continuous data acquisition examples. These applications require complex interaction with the Series 200/300 controller, though they are similar in concept to gathering data around an event. The window is much larger, however. The low level command set gives the user access to a wide range of interrupt, pacing and triggering possibilities. The HP44702/HP3852 data acquisition system can solve some very difficult application problems with its capability and flexibility.

Programming Tree
for 44702
High Speed DVM



* MEAS command may change certain settings.

Figure P12


```
10 ! THIS PROGRAM SHOWS A WAY TO TAKE DCV READINGS IN THE SYSTEM
20 ! MODE. THIS IS A BASIC APPLICATION AND USES CONF AND MEAS.
30 !
40 !
50 !
60 ASSIGN @Comp TO 709
70 ASSIGN @Cformoff TO 709;FORMAT OFF
80 REAL A(1:20)
90 !
100 CLEAR @Comp
110 OUTPUT @Comp;"RESET"
120 OUTPUT @Comp;"PACKED RD(39)"
130 OUTPUT @Comp;"SUB HS_RDGS"
140 OUTPUT @Comp;"    USE 600"
150 OUTPUT @Comp;"    SCANMODE OFF"
160 OUTPUT @Comp;"    CONF DCV"
170 OUTPUT @Comp;"    RANGE 2.5"
180 OUTPUT @Comp;"    TERM INT"
190 OUTPUT @Comp;"    RDGS SYS"
200 OUTPUT @Comp;"    RDGSMODE DAV"
210 OUTPUT @Comp;"    MEAS DCV 100-119 INTO RD"
220 OUTPUT @Comp;"    VREAD RD,RL64"
230 OUTPUT @Comp;"SUBEND"
240 !
250 OUTPUT @Comp;"CALL HS_RDGS"
260 ENTER @Cformoff;A(*)
270 PRINT A(*)
280 END
```

Figure SYS

```

10 ! THIS PROGRAM SHOWS A WAY TO TAKE DCV READINGS IN THE SCANNER
20 ! MODE. THIS IS A BASIC APPLICATION AND USES CONF AND MEAS.
30 !
40 !
50 !
60 ASSIGN @Comp TO 709
70 ASSIGN @Cformoff TO 709;FORMAT OFF
80 REAL A(1:20)
90 !
100 CLEAR @Comp
110 OUTPUT @Comp;"RESET"
120 OUTPUT @Comp;"PACKED RD(39)"
130 OUTPUT @Comp;"SUB HS_RDGS"
140 OUTPUT @Comp;"      USE 600"
150 OUTPUT @Comp;"      SCANMODE ON"
160 OUTPUT @Comp;"      CONF DCV"
170 OUTPUT @Comp;"      RANGE 2.5"
180 OUTPUT @Comp;"      TERM RIBBON"
190 OUTPUT @Comp;"      RDGS SYS"
200 OUTPUT @Comp;"      RDGSMODE DAV"
210 OUTPUT @Comp;"      MEAS DCV 500-504,500-504,500-504,500-504 INTO RD"
220 OUTPUT @Comp;"      VREAD RD,RL64"
230 OUTPUT @Comp;"SUBEND"
240 !
250 OUTPUT @Comp;"CALL HS_RDGS"
260 ENTER @Cformoff;A(*)
270 PRINT A(*)
290 END

```

Figure SCN

```

10  ! THIS PROGRAM DEMONSTRATES A SIMPLE EXAMPLE OF USING INTERRUPTS
20  ! WITH THE HIGH SPEED DVM. THE MEASUREMENT SEQUENCE IS STARTED.
30  ! THEN AN INTERRUPT IS GENERATED AT THE END OF THE SEQUENCE, AND
40  ! THE READINGS ARE TRANSFERRED.
50  !
60  !
70  ASSIGN @Comp TO 709
80  ASSIGN @Cformoff TO 709;FORMAT OFF
90  REAL A(1:10)
100 !
110 CLEAR @Comp
120 OUTPUT @Comp;"RESET"
130 OUTPUT @Comp;"SUB TAKE_RDG"
140 OUTPUT @Comp;"    USE 600"
150 OUTPUT @Comp;"    SCANMODE ON"
160 OUTPUT @Comp;"    CONF DCV"
170 OUTPUT @Comp;"    RANGE .25"
180 OUTPUT @Comp;"    RDGSMODE END"
190 OUTPUT @Comp;"    SPER 250E-6"
200 OUTPUT @Comp;"    ENABLE INTR"
210 OUTPUT @Comp;"    CLWRITE SENSE 500-509"
220 OUTPUT @Comp;"    SCTRIG SGL"
230 OUTPUT @Comp;"SUBEND"
240 !
250 OUTPUT @Comp;"SUB X"
260 OUTPUT @Comp;"    XRDGS 600,RL64"
270 OUTPUT @Comp;"SUBEND"
280 !
290 OUTPUT @Comp;"ON INTR USE 600 CALL X"
300 OUTPUT @Comp;"ENABLE INTR SYS"
310 !
320 OUTPUT @Comp;"CALL TAKE_RDG"
330 ENTER @Cformoff;A(*)
340 PRINT A(*)
350 END

```

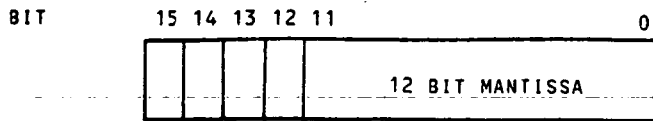
Figure INTR

```

10  ! THIS IS A PROGRAM THAT DEMONSTRATES GPIO TRIGGERING, INTERRUPT
20  ! HANDLING AND DATA TRANSFER. THE HIGH SPEED DVM IS SET UP OVER
30  ! HPIB, THEN TRIGGERED OVER GPIO. AFTER AN INTERRUPT IS GENERATED
40  ! ON GPIO, THE DATA IS READ OVER GPIO. FINALLY, THE DATA IS
50  ! UNPACKED IN THE CONTROLLER.
60  !
70  !
80  ASSIGN @Comp TO 709
90  ASSIGN @Gpio TO 12.
100  Gpio=12
110  !
120  INTEGER A(1:10),Cnt
130  ON INTR Gpio GOSUB Get_rdgs
140  Eir_=1
150  ENABLE INTR Gpio:Eir_
160  !
170  CLEAR @Comp
180  OUTPUT @Comp;"RESET"
190  OUTPUT @Comp;"USE 600"
200  OUTPUT @Comp;"SCANMODE ON"
210  OUTPUT @Comp;"CONF OHM10K"
220  OUTPUT @Comp;"RDGS GPIO"
230  OUTPUT @Comp;"RDGSMODE BURST"
240  OUTPUT @Comp;"SCSLOPE HL"      ! SET TRIGGER SENSE
250  OUTPUT @Comp;"SPER .10"
260  OUTPUT @Comp;"ENABLE INTR"
270  OUTPUT @Comp;"CLWRITE COM 500-509"
280  OUTPUT @Comp;"SCTRIG GPIO"
290  !
300  WHILE NOT BIT(SPOLL(@Comp),4) ! WAIT UNTIL READY
310  END WHILE
320  !
330  CONTROL Gpio,2:5      ! SET DATA REGISTER
340  OUTPUT @Gpio USING "#,W";4
350  CONTROL Gpio,2:4
360  !
370  CONTROL Gpio,2:6      ! TRIGGER DVM
380  CONTROL Gpio,2:4
390  !
400  Cnt=0
410  WHILE (Cnt<1000)
420    Cnt=Cnt+1
430    DISP Cnt
440  END WHILE
450  STOP
460  !
470  Get_rdgs:ENTER @Gpio USING "#,W":A(*)
480  !
490  !
500  Unpack:REAL R(0:3),M,V(1:10),X
510  DATA 256.,32.,4.,1.
520  READ R(*)
530  X=.001      ! FACTOR FOR OHM10K
540  FOR I=1 TO 10
550    M=BINAND(A(I),4095)
560    IF A(I)>0 OR M=4095. THEN
570      V(I)=1.0E+38
580    ELSE
590      V(I)=M*.0025/R(BINAND(SHIFT(A(I),13),3))/X
600      IF BIT(A(I),12) THEN V(I)=-V(I)
610    END IF
620  NEXT I
630  PRINT V(*)
640  !
650  !
660  END

```

Figure GPIO



BIT 15= Good reading bit

BIT 14-13= Range bits

BIT 12= Sign bit

BIT 11-0= 12 Bit mantissa

<u>BITS</u>	<u>14/13</u>	<u>RANGE FACTOR</u>	<u>FUNCTION</u>	<u>OHMS FACTOR</u>
	0 0	256	DCV	1
	0 1	32	OHM10K	.001
	1 0	4	OHM100K	.0001
	1 1	1	OHM1M	.00001

Figure UNPK

```

10  ! THIS PROGRAM DEMONSTRATES AN EXAMPLE OF DATA BEING COLLECTED
20  ! BOTH BEFORE AND AFTER AN EVENT. THE HIGH SPEED DVM IS SET UP
30  ! AND TRIGGERED. IT WILL TAKE READINGS UNTIL THE VALUE ON THE
40  ! FIRST CHANNEL CROSSES THE THRESHOLD IN THE PROPER DIRECTION.
50  ! THEN THE READINGS WILL BE TAKEN OUT OF THE DVM.
60  !
70  !
80  ASSIGN @Comp TO 709
90  ASSIGN @Cformoff TO 709;FORMAT OFF
100 !
110 DIM A(1:100)
120 !
130 CLEAR @Comp
140 OUTPUT @Comp;"RESET"
150 OUTPUT @Comp;"USE 600"
160 OUTPUT @Comp;"SCANMODE ON"
170 OUTPUT @Comp;"SCTRIG HOLD"
180 OUTPUT @Comp;"FUNC DCV"
190 OUTPUT @Comp;"RANGE 2.5"
200 OUTPUT @Comp;"TERM RIBBON"
210 OUTPUT @Comp;"RDGS SYS"
220 OUTPUT @Comp;"RDGSMODE COMPLETE"
230 OUTPUT @Comp;"PERC 80"
240 OUTPUT @Comp;"SPER .05"
250 OUTPUT @Comp;"SCDELAY .01,.5"
260 OUTPUT @Comp;"ENABLE INTR"
270 OUTPUT @Comp;"PRESCAN 5"
280 OUTPUT @Comp;"POSTSCAN 5"
290 OUTPUT @Comp;"CLWRITE SENSE 500-509"
300 OUTPUT @Comp;"STSLOPE HL"
310 OUTPUT @Comp;"STTRIG MEAS"
320 !
330 OUTPUT @Comp;"SUB X"
340 OUTPUT @Comp;"      XRDGS 600,100,RL64"
350 OUTPUT @Comp;"SUBEND"
360 !
370 OUTPUT @Comp;"ON INTR USE 600 CALL X"
380 OUTPUT @Comp;"ENABLE INTR SYS"
390 !
400 OUTPUT @Comp;"SCTRIG INT"
410 !
420 ENTER @Cformoff;A(*)
430 PRINT A(*)
440 !
450 END

```

Figure EVNT

```

10  ! THIS PROGRAM DEMONSTRATES A WAY TO EXTERNALLY TRIGGER AND
20  ! SYNCHRONIZE TWO OR MORE 44702 HIGH SPEED DVM'S. THE DVM
30  ! IN SLOT 2 IS THE MASTER AND THE DVM IN SLOT 6 IS THE SLAVE.
40  !
50  !
60  ASSIGN @Comp TO 709
70  ASSIGN @Cformoff TO 709;FORMAT OFF
80  REAL A(1:100),B(1:100)
90  !
100 CLEAR @Comp
110 OUTPUT @Comp;"RESET"
111 OUTPUT @Comp;"SUB MASTER"
120 OUTPUT @Comp;"    USE 200"
130 OUTPUT @Comp;"    SCANMODE ON"
140 OUTPUT @Comp;"    CONF 0HM10K"
150 OUTPUT @Comp;"    SCSLOPE HL"
170 OUTPUT @Comp;"    TRIGOUT ON"
180 OUTPUT @Comp;"    SPER .050"
190 OUTPUT @Comp;"    PRESCAN 10"
200 OUTPUT @Comp;"    CLWRITE COM 100-109"
210 OUTPUT @Comp;"    SCTRIG EXT1"
211 OUTPUT @Comp;"SUBEND"
220 !
230 !
231 OUTPUT @Comp;"SUB SLAVE"
232 OUTPUT @Comp;"    USE 600"
233 OUTPUT @Comp;"    SCANMODE ON"
234 OUTPUT @Comp;"    SCTRIG HOLD"
235 OUTPUT @Comp;"    FUNC DCV,2.5"
236 OUTPUT @Comp;"    TERM RIBBON"
238 OUTPUT @Comp;"    SLOPE HL"
239 OUTPUT @Comp;"    TRIG EXT0"
240 OUTPUT @Comp;"    PRESCAN 10"
241 OUTPUT @Comp;"    ASCAN ON"
242 OUTPUT @Comp;"    CLWRITE SENSE 500-509"
243 OUTPUT @Comp;"    SCTRIG SGL"
244 OUTPUT @Comp;"SUBEND"
245 !
246 !
248 OUTPUT @Comp;"CALL SLAVE"
249 OUTPUT @Comp;"CALL MASTER"
250 !
251 !
252 PAUSE
253 !
254 !
256 OUTPUT @Comp;"XRDGS 200,RL64"
257 ENTER @Cformoff;A(*)
258 OUTPUT @Comp;"XRDGS 600,RL64"
259 ENTER @Cformoff;B(*)
261 !
262 !
270 PRINT A(*)
271 PRINT B(*)
272 !
273 !
280 END

```

Figure SYNC

```

10      ! THIS IS A PROGRAM THAT ILLUSTRATES PROGRAMMING THE 44702
20      ! HIGH SPEED VOLTMETER OF THE HP3852 DURING AN APPLICATION.
30      ! THE HS DVM IS STARTED BY AN INTERRUPT ON A DIGITAL CARD.
40      ! THE DVM TAKES READINGS AT 20 MS INTERVALS UNTIL ANOTHER
50      ! INTERRUPT. THEN THE HS DVM IS REPROGRAMMED TO TAKE READINGS
60      ! ON TWO CHANNELS AT 200MS INTERVALS UNTIL A THIRD INTERRUPT.
70      ! THE THIRD INTERRUPT COMES FROM A DIFFERENT SOURCE THAN THE
80      ! FIRST INTERRUPT. THE THIRD INTERRUPT SUBROUTINE TRANSFERS
90      ! THE READINGS, LOGS THE INDEX AND RESTARTS THE VOLTMETER
100     ! UNTIL A FINAL INTERRUPT. THE LAST INTERRUPT OCCURS ON THE
110     ! ORIGINAL DIGITAL INPUT CHANNEL. THE READINGS ARE STORED IN
120     ! AN ARRAY AND ALL THE DATA BOUNDARIES (INDICES) ARE LOGGED.
130     !
140     ASSIGN @Comp TO 709
150     ASSIGN @Cformoff TO 709;FORMAT OFF
160     DIM A(500)
170     !
180     Dvm_setup:      !
190         OUTPUT @Comp;"RST;INBUF ON; OUTBUF ON"
200         OUTPUT @Comp;"REAL X1,X2,X3,A(500)"
210         OUTPUT @Comp;"USE 600; SCANMODE ON; SCTRIG HOLD; FUNC DCV"
220         OUTPUT @Comp;"RANGE 2.5; TERM RIBBON; TRIG INT; SPER 0"
230         OUTPUT @Comp;"SCDELAY 0,.02; CLWRITE SENSE 500; STTRIG HOLD"
240     !
250     Dig_intr:      !
260         OUTPUT @Comp;"SUB Z"                ! THIS IS THE FINAL SUBROUTINE
270         OUTPUT @Comp;"  STTRIG SGL"
280         OUTPUT @Comp;"  XRDGS 600 INTO A"
290         OUTPUT @Comp;"  INDEX? A INTO X2"
300         OUTPUT @Comp;"SUBEND"
310         OUTPUT @Comp;"SUB Y"                ! THIS IS THE SECOND
320         OUTPUT @Comp;"  STTRIG SGL USE 600"  ! INTERRUPT SUBROUTINE
330         OUTPUT @Comp;"  XRDGS 600 INTO A"
340         OUTPUT @Comp;"  INDEX? A INTO X1"
350         OUTPUT @Comp;"  CLWRITE SENSE 500-501"
360         OUTPUT @Comp;"  SCDELAY 0,.5 USE 600"
370         OUTPUT @Comp;"  SCTRIG INT USE 600"
380         OUTPUT @Comp;"  ON INTR USE 216 CALL Z"
390         OUTPUT @Comp;"  ENABLE INTR USE 216"
400         OUTPUT @Comp;"SUBEND"
410         OUTPUT @Comp;"SUB X"                ! THIS SUB STARTS EVERYTHING
420         OUTPUT @Comp;"  SCTRIG INT USE 600"
430         OUTPUT @Comp;"  ON INTR USE 216 CALL Y"
440         OUTPUT @Comp;"  ENABLE INTR USE 216"
450         OUTPUT @Comp;"SUBEND"
460         OUTPUT @Comp;"SUB T"                ! THIS IS THE THIRD INTERPUPT
470         OUTPUT @Comp;"  BEEP;STTRIG SGL"    ! SUBROUTINE
480         OUTPUT @Comp;"  XRDGS 600 INTO A"
490         OUTPUT @Comp;"  INDEX? A INTO X3"
500         OUTPUT @Comp;"  SCTRIG INT USE 600"
510         OUTPUT @Comp;"SUBEND"
520         OUTPUT @Comp;"EDGE LH USE 216;EDGE LH USE 217"
530         OUTPUT @Comp;"ON INTR USE 216 CALL X;ENABLE INTR USE 216"
540         OUTPUT @Comp;"ON INTR USE 217 CALL T;ENABLE INTR USE 217"
550         OUTPUT @Comp;"ENABLE INTR SYS"
560     !
570     PAUSE
580     OUTPUT @Comp;"VREAD A,RL64"      ! GET ARRAY OF READINGS
590     ENTER @Cformoff;A(+)
600     OUTPUT @Comp;"VREAD X1,RL64"    ! GET FIRST DATA BOUNDARY
610     ENTER @Cformoff;X1
620     OUTPUT @Comp;"VREAD X2,RL64"    ! GET SECOND DATA BOUNDARY
630     ENTER @Cformoff;X2
640     OUTPUT @Comp;"VREAD X3,RL64"    ! GET THIRD DATA BOUNDARY
650     ENTER @Cformoff;X3
660     PRINT TABXY(5,5);"X1 IS ";X1
670     PRINT TABXY(5,8);"X2 IS ";X2
680     PRINT TABXY(5,11);"X3 IS ";X3
690     END

```

Figure RTPRG

CONTINUOUS DATA ACQUISITION FLOW CHART

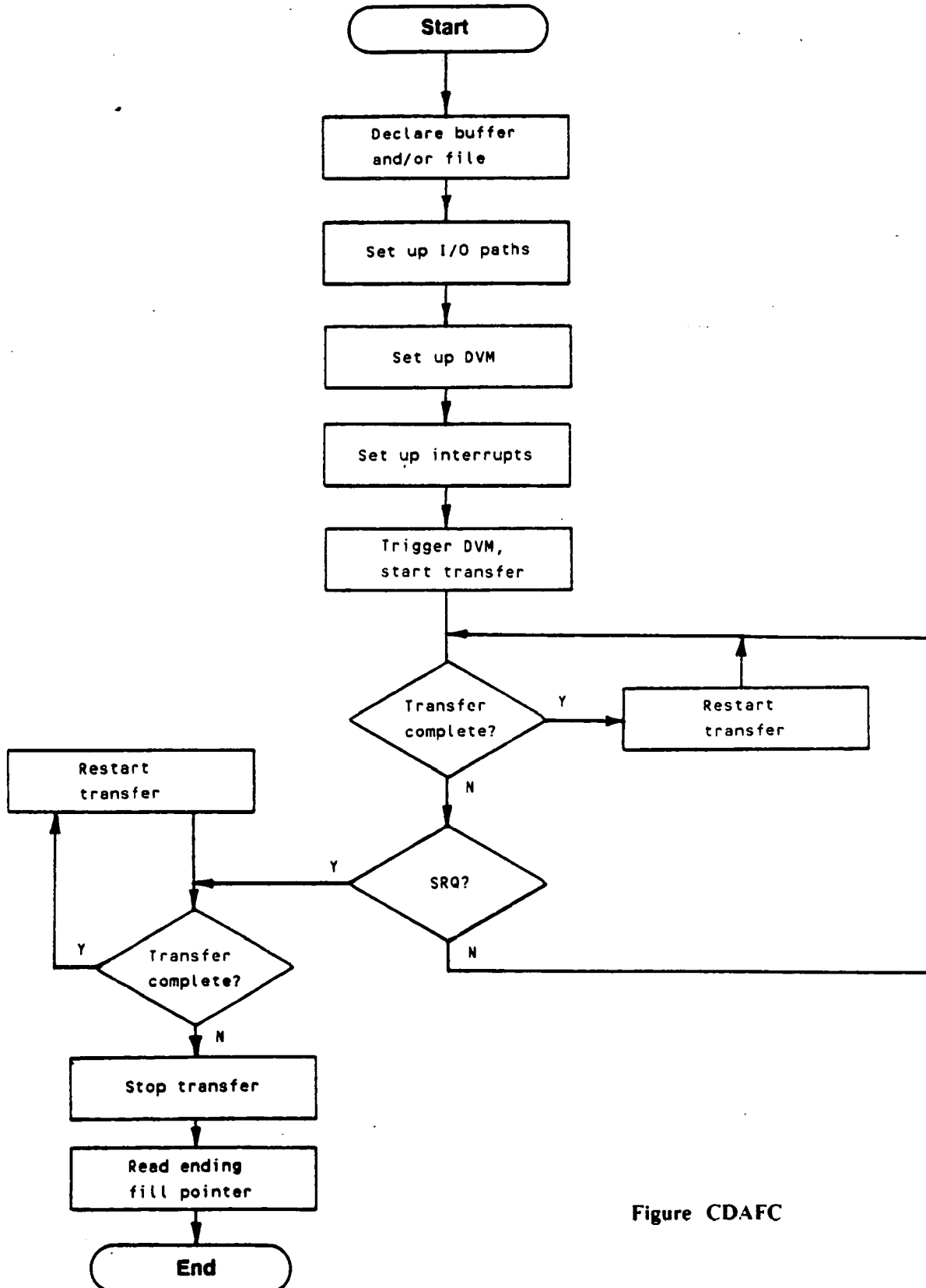


Figure CDAFC

DATA ARRAY

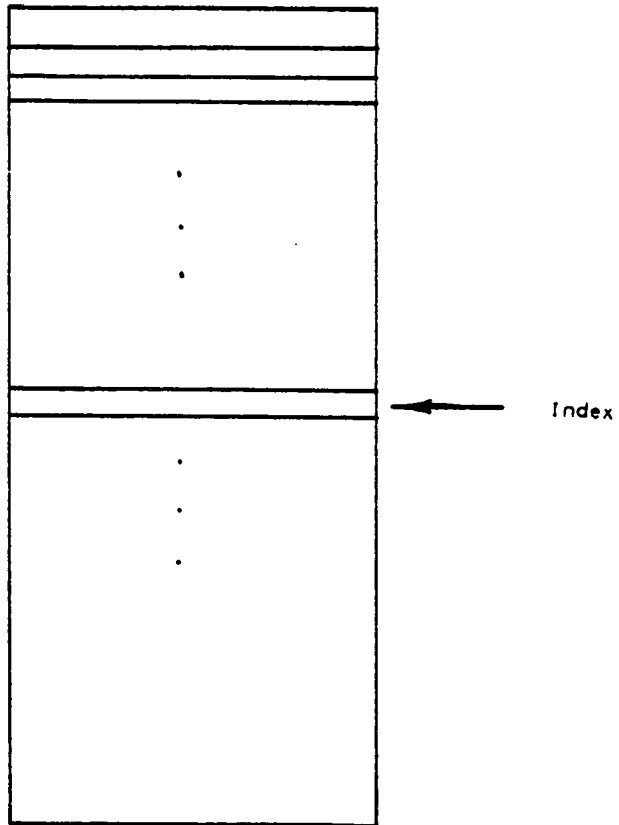


Figure CDAARR

**BUFFER
in SERIES 200/300**

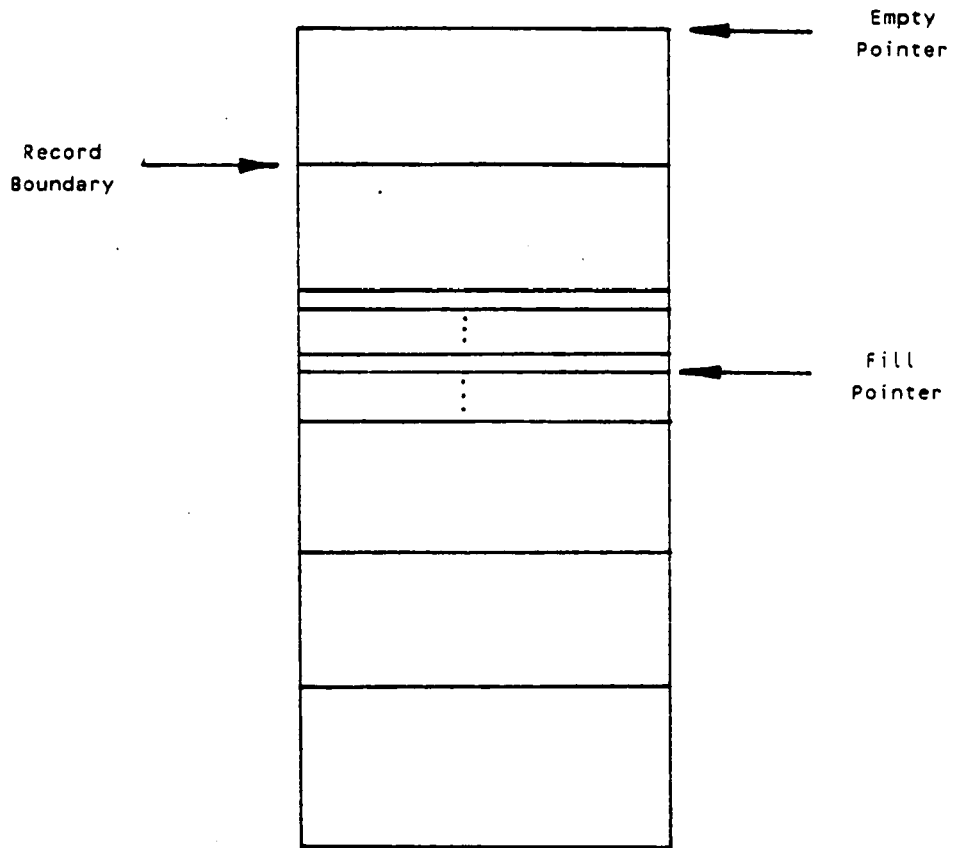
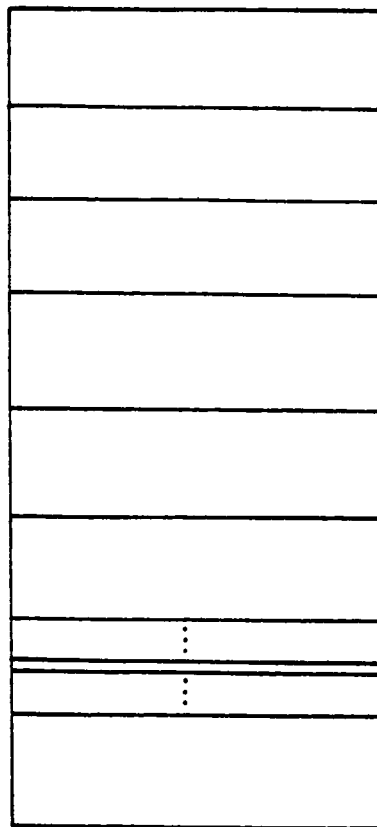


Figure CDABUF

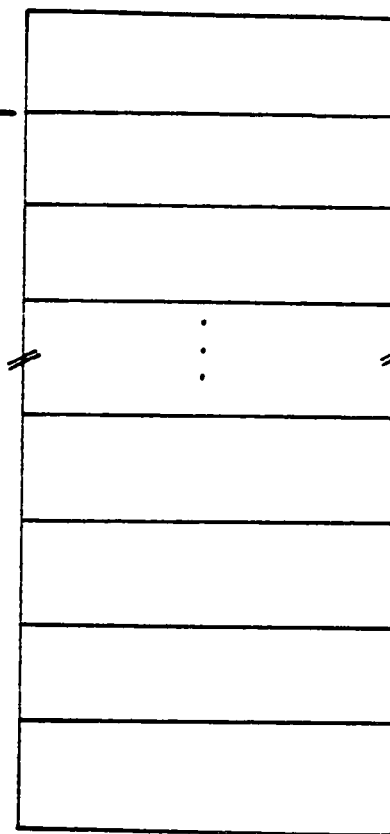
**BUFFER
in SERIES 200/300**



Record
Boundary

Empty
Pointer
Fill
Pointer

**DESTINATION
FILE**



Empty
Pointer

Fill
Pointer

Figure CDAFL

```

10 ! This program demonstrates a method of doing continuous data acquisition
20 ! using the HP 3852A and a Series 300 BASIC computer. The computer must
30 ! have a GPIO card and approximately 1 Megabyte of memory. The HP 3852A
40 ! contains a HSDVM and is assumed to have no optional memory in the
50 ! HSDVM or in the mainframe. A 16 channel digital input card is also
60 ! necessary. For maximum throughput, a DMA card is necessary in the
70 ! Series 300 computer.
80 !
90 ! The program starts the TRANSFERS, then triggers the DVM to start
100 ! taking readings continuously. The TRANSFERS move the readings
110 ! into a buffer in the Series 300. No unwrap is performed, nor is the
120 ! DVM's data buffer cleared out. The DVM will stop when its data buffer
130 ! fills. The TRANSFERS will terminate on a digital interrupt over HPIB.
140 !
150 !
160 !
170 !
180 OPTION BASE 1
190 INTEGER Cntr,Done,In_stat_byt,Out_stat_byt,Mask,Gpio
200 INTEGER S300_buff(1:32767) BUFFER
210 !
220 !
230 Iopath_setup: ! This code sets up the file and IO paths.
240 !
250 ! Create a file of the length needed to accomodate the data of
260 ! interest. Highest performance can be obtained if the number of
270 ! bytes per record is an integral number of 256 byte blocks.
280 !
290 !
300 Gpio=12
310 ASSIGN @Hp3852 TO 709 ! HP 3852A IO address
320 ASSIGN @Gpio TO Gpio
330 ASSIGN @Path_3852 TO Gpio;WORD ! Set up GPIO path using word attr
340 ASSIGN @S300_buff TO BUFFER S300_buff(*);FORMAT OFF ! Series 300 buffer.
350 !
360 Dvm_setup: ! This code sets up the HSDVM to take continuous readings.
370 ! DVM is in slot 6 with HS FET mux in slot 5. DVM is set up to take
380 ! DCV readings. One channel will be scanned repeatedly (500).
390 !
400 CLEAR @Hp3852
410 OUTPUT @Hp3852;"RST; OUTBUF ON; INBUF ON; DISP OFF"
420 !
430 !
440 OUTPUT @Hp3852;"USE 600; SCANMODE ON; SCTRIG HOLD"
450 OUTPUT @Hp3852;"FUNC DCV; RANGE 2.5; TERM RIBBON; RDGS GPIO"
460 OUTPUT @Hp3852;"NRDGS 1; SPER 10E-6; SCDelay 16E-3; ASCAN ON"
470 OUTPUT @Hp3852;"CLWRITE SENSE 500; STTRIG HOLD"
480 !
490 !
500 !
510 CONTROL Gpio,2;5 ! Set control line low, DVM expects addr
520 OUTPUT Gpio USING "*,W";4 ! Set read reg addr to 4.
530 CONTROL Gpio,2;4 ! Set control line high, DVM sends data.
540 !
550 Intr_setup: ! Set up interrupts in HP 3852A and Series 300.
560 !
570 !
580 ON EOT @Path_3852,5 GOSUB Xfer_done ! When transfer stops, restart.
590 ON INTR 7 GOSUB Terminate ! When 3852 interrupts, stop.
600 Mask=2 ! Set SRQ interrupt mask.

```

Figure CDA1

```

610 OUTPUT @Hp3852; VREAD A,PACK;STA? INTO X;SRQ;BEEP;SUBEND"
620 |
630 OUTPUT @Hp3852;"ON INTR USE 216 CALL XIT"
640 OUTPUT @Hp3852;"ON INTR USE 600 CALL INTROUT"
650 OUTPUT @Hp3852;"ENABLE INTR USE 600" ! Enable interrupt on DVM.
660 OUTPUT @Hp3852;"RQS FPS;RQS ON" ! Set up SRQ mask.
670 OUTPUT @Hp3852;"EDGE LH USE 216" ! Set edge on digital input card.
680 OUTPUT @Hp3852;"ENABLE INTR USE 216" ! Enable interrupt on digital card.
690 OUTPUT @Hp3852;"ENABLE INTR SYS" ! Enable 3852 interrupts.
700 |
710 OUTPUT @Hp3852;"SCTRIG SGL" ! Start transfers and trigger the DVM.
720 Start:TRANSFER @Path_3852 TO @S300_buff;COUNT 49152,EOR (END) ! Start conti
nuous transfer.
730 |
740 |
750 |
760 Cntr=0
770 Done=0 ! The following code reads status while the transfers run.
780 REPEAT
790 STATUS @S300_buff,3;Fill_ptr
800 PRINT TABXY(10,5);"FILL POINTER IS";Fill_ptr
810 STATUS @S300_buff,10;In_stat_byt,Out_stat_byt
820 PRINT TABXY(10,8);"STATUS IN/OUT ";In_stat_byt; ", ";Out_stat_byt
830 PRINT TABXY(10,11);"INDEX = ";Cntr
840 UNTIL Done
850 |
860 |
870 |
880 STOP
890 |
900 |
910 |
920 |
930 Xfer_done=RESET @S300_buff ! Reset byte pointer to start.
940 TRANSFER @Path_3852 TO @S300_buff;COUNT 49152,EOR (END) ! Restart transf
er.
950 Cntr=Cntr+1
960 RETURN
970 |
980 |
990 Terminate:WAIT 50 ! Take more data after intr.
1000 OFF EOI @Path_3852 ! Cancel inbound EOI.
1010 ABORTIO @Path_3852 ! Clean up HP1B path.
1020 ASSIGN @Path_3852 TO *
1030 STATUS @S300_buff,3;Fill_ptr
1040 PRINT TABXY(10,20);"ENDING FILL POINTER IS";Fill_ptr
1050 PRINT TABXY(10,18);"REACHED A GOOD END."
1060 STOP
1070 |
1080 |
1090 |
1100 END

```

```

10 | This program demonstrates a method of doing continuous data acquisition
20 | using the HP 3852A and a Series 300 BASIC computer. The computer must
30 | have a GPI0 card and approximately 1 Megabyte of memory. The HP 3852A
40 | contains a HSDVM and is assumed to have no optional memory in the
50 | HSDVM or in the mainframe. A 16 channel digital input card is also
60 | necessary. For maximum throughput, a DMA card is necessary in the
70 | Series-300 computer.
80 |
90 | The program starts the TRANSFERs, then triggers the DVM to start
100 | taking readings continuously. The TRANSFERs move the readings
110 | into a buffer in the Series 300 and then into a disc or memory
120 | file. No unwrap is performed, nor is the DVM's data buffer cleared
130 | out. The DVM will stop when its data buffer fills. The TRANSFERs
140 | will terminate on a digital interrupt over HP1B.
150 |
160 |
170 |
180 OPTION BASE 1
190 INTEGER Rec_length,Done,Rec_Byt,In_stat_byt,Out_stat_byt,End_rec_num,End_byt
e_num,Mask,Gpio
200 |
210 |
220 Iopath_setup: ! This code sets up the file and IO paths.
230 |
240 | Create a file of the length needed to accomodate the data of
250 | interest. Highest performance can be obtained if the number of
260 | bytes per record is an integral number of 256 byte blocks.
270 |
280 INITIALIZE ":MEMORY,0,1",S12 ! Create memory volume.
290 CREATE BDAT "HS_DATA:MEMORY,0,1",384,256 ! Total Bytes= 98304
300 |
310 Buff_size=65536
320 Gpio=12
330 ASSIGN @Hp3852 TO 709 ! HP 3852A IO address
340 ASSIGN @Gpio TO Gpio
350 ASSIGN @Path_3852 TO Gpio:WORD ! Set up GPI0 path using word attr
360 ASSIGN @S300_buff TO BUFFER [Buff_size]:FORMAT OFF ! Series 300 buffer
370 ASSIGN @File TO "HS_DATA:MEMORY,0,1" ! Destination file
380 |
390 Dvm_setup: ! This code sets up the HSDVM to take continuous readings.
400 | DVM is in slot 6 with HS FET mux in slot 5. DVM is set up to scan
410 | taking DCV readings. One channel will be scanned repeatedly (500).
420 |
430 CLEAR @Hp3852
440 OUTPUT @Hp3852:"RST; OUTBUF ON; INBUF ON; DISP OFF"
450 |
460 |
470 OUTPUT @Hp3852:"USE 600; SCANMODE ON; SCTRIG HOLD"
480 OUTPUT @Hp3852:"FUNC DCV; RANGE 2.5; TERM RIBBON; RDGS GPIO"
490 OUTPUT @Hp3852:"NRDGS 1; SPER 10E-6; SCDELAY 10E-3; ASCAN ON"
500 OUTPUT @Hp3852:"CLWRITE SENSE 500; STTRIG HOLD"
510 |
520 |
530 CONTROL Gpio,2;5 ! Set control line low, DVM expects addr
540 OUTPUT Gpio USING "#,W";4 ! Set read reg addr to 4.
550 CONTROL Gpio,2;4 ! Set control line high, DVM sends data.
560 |
570 Intr_setup: ! Set up interrupts in HP 3852A and Series 300.
580 |
590 |

```

Figure CDA2

```

600 ON EOT @File,5 GOSUB Xfer_done      ! When transfer stops, restart.
610 ON INTR 7 GOSUB Terminate          ! When 3852 interrupts, stop.
620 Mask=2                             ! Set SRQ interrupt mask.
630 ENABLE INTR 7;Mask
640 OUTPUT @Hp3852;"ENABLE INTR SYS"   ! Enable 3852 interrupts.
650 OUTPUT @Hp3852;"RQS ON; RQS INTR" ! Send SRQ on interrupt at 3852.
660 OUTPUT @Hp3852;"EDGE LH USE 216"  ! Set edge on digital input card.
670 OUTPUT @Hp3852;"ENABLE INTR USE 216"! Enable interrupt on digital card.
680 !
690 Start: Xfer_length=98304           ! Xfer_length= 96 Rec_length
700 Rec_length=1024                   ! Rec_length= 512 readings
710 TRANSFER @Path_3852 TO @S300_buff;COUNT Xfer_length,EOR (COUNT Rec_length
),CONT
720 TRANSFER @S300_buff TO @File;COUNT Xfer_length,EOR (COUNT Rec_length),CON
T
730 OUTPUT @Hp3852;"SCTRIG S6L"      ! Start transfers and trigger the DVM.
740 !
750 !
760 Done=0                            ! The following code reads status while the transfers run.
770 REPEAT
780 STATUS @S300_buff,3;Fill_ptr
790 PRINT TABXY(10,5);"FILL POINTER IS";Fill_ptr
800 STATUS @File,5;Rec,Byt
810 PRINT TABXY(10,8);"FILE RECORD AND BYTE= ";Rec;",";Byt
820 STATUS @S300_buff,10;In_stat_byt,Out_stat_byt
830 PRINT TABXY(10,11);"STATUS IN/OUT ";In_stat_byt;",";Out_stat_byt
840 UNTIL Done
850 !
860 !
870 STOP
880 !
890 !
900 !
910 Xfer_done:CONTROL @File,5;1,1     ! Reset record and byte pointer to start.
920 TRANSFER @Path_3852 TO @S300_buff;COUNT Xfer_length,EOR (COUNT Rec_length
),CONT
930 TRANSFER @S300_buff TO @File;COUNT Xfer_length,EOR (COUNT Rec_length),CON
T
! Restart the transfers.
940 RETURN
950 !
960 !
970 Terminate:WAIT .05                ! Take more data after intr.
980 OFF EOT @File                     ! Cancel outbound EOT.
990 ABORTIO @Path_3852                 ! Clean up GPIO path.
1000 ASSIGN @Path_3852 TO *
1010 ABORTIO @File                     ! Clean up destination file path.
1020 STATUS @File,5;End_rec_num,End_byte_num
1030 ASSIGN @File TO *
1040 PRINT TABXY(10,20);"ENDING RECORD= ";End_rec_num;" ENDING BYTE= ";End_by
te_num
1050 PRINT TABXY(10,18);"REACHED A GOOD END."
1060 STOP
1070 !
1080 !
1090 !
1100 END

```



```

10 ! This program demonstrates a method of doing continuous data acquisition
20 ! using the HP 3852A and a Series 300 BASIC computer. The computer must
30 ! have an HP-IB card and approximately 1 Megabyte of memory. The HP 3852A
40 ! contains a HSDVM and is assumed to have no optional memory in the
50 ! HSDVM or in the mainframe. A 16 channel digital input card is also
60 ! necessary. For maximum throughput, a DMA card is necessary in the
70 ! Series 300 computer.
80 !
90 ! The program starts the TRANSFERS, then triggers the DVM to start
100 ! taking readings continuously. The TRANSFERS move the readings
110 ! into a buffer in the Series 300. No unwrap is performed, nor is the
120 ! DVM's data buffer cleared out. The DVM will stop when the number of
130 ! postscans is finished. The TRANSFERS will terminate on an SRQ interrupt
140 ! over HP-IB.
150 !
160 !
170 !
180 OPTION BASE 0
190 INTEGER Cntr,Done,In_stat_byt,Out_stat_byt,Mask
200 INTEGER S300_buff(1:24576) BUFFER
210 !
220 !
230 Iopath_setup: ! This code sets up the file and IO paths.
240 !
250 ! Create a buffer of the length needed to accomodate the data of
260 ! interest. Highest performance can be obtained if the number of
270 ! bytes per record is an integral number of 256 byte blocks.
280 !
290 !
300 ASSIGN @Hp3852 TO 709 ! HP 3852A IO address
310 ASSIGN @Path_3852 TO 709;FORMAT OFF ! Set up HP-IB path
320 ASSIGN @S300_buff TO BUFFER S300_buff(*);FORMAT OFF ! Series 300 buffer.
330 !
340 Dvm_setup: ! This code sets up the HSDVM to take continuous readings.
350 ! DVM is in slot 6 with HS FET mux in slot 5. DVM is set up to take
360 ! DCV readings. One channel will be scanned repeatedly (500).
370 !
380 CLEAR @Hp3852
390 OUTPUT @Hp3852;"RST; OUTBUF ON; INBUF ON; DISP OFF"
400 OUTPUT @Hp3852;"PACKED A(8191);INTEGER X"
410 !
420 !
430 OUTPUT @Hp3852;"USE 500; SCANMODE ON; SCTRIG HOLD; FUNC DCV"
440 OUTPUT @Hp3852;"RANGE 2.5; TERM RIBBON; RDGSMODE BURST; SPER 27.5E-6"
450 OUTPUT @Hp3852;"SCDELAY 16E-3; POSTSCAN 4096; ASCAN ON"
460 OUTPUT @Hp3852;"CLWRITE SENSE 500; STTRIG HOLD"
470 !
480 !
490 !
500 !
510 Intr_setup: ! Set up interrupts in HP 3852A and Series 300
520 !
530 !
540 ON EOT @Path_3852,5 GOSUB Xfer_done ! When transfer stops, restart
550 ON INTR 7 GOSUB Terminate ! When 3852 interrupts, stop.
560 Mask=2 ! Set SRQ interrupt mask.
570 ENABLE INTR 7;Mask
580 OUTPUT @Hp3852;"SUB INTROUT;XRDS 500,4096 INTO A;VREAD A,PACK"
590 OUTPUT @Hp3852;" ENABLE INTR USE 500;SUBEND"
600 OUTPUT @Hp3852;"SUB XIT;STTRIG SGL USE 500;XRDS 500,4096 INTO A"

```

Figure CDA3

```

610 OUTPUT @Hp3852;" VREAD A,PACK;STA? INTO X;SRQ;BEEP;SUBEND"
620 |
630 OUTPUT @Hp3852;"ON INTR USE 216 CALL XIT"
640 OUTPUT @Hp3852;"ON INTR USE 600 CALL INTROUT"
650 OUTPUT @Hp3852;"ENABLE INTR USE 600" ! Enable interrupt on DVM.
660 OUTPUT @Hp3852;"RQS FPS;RQS ON" ! Set up SRQ mask.
670 OUTPUT @Hp3852;"EDGE LH USE 216" ! Set edge on digital input card.
680 OUTPUT @Hp3852;"ENABLE INTR USE 216" ! Enable interrupt on digital card.
690 OUTPUT @Hp3852;"ENABLE INTR SYS" ! Enable 3852 interrupts.
700 |
710 OUTPUT @Hp3852;"SCTR16 S6L" ! Start transfers and trigger the DVM.
720 Start:TRANSFER @Path_3852 TO @S300_buff;COUNT 49152,EOR (END) ! Start conti
nuous transfer.
730 |
740 |
750 |
760 Cntr=0
770 Done=0 ! The following code reads status while the transfers run.
780 REPEAT
790 STATUS @S300_buff,3;Fill_ptr
800 PRINT TABXY(10,5);"FILL POINTER IS";Fill_ptr
810 STATUS @S300_buff,10;In_stat_byt,Out_stat_byt
820 PRINT TABXY(10,8);"STATUS IN/OUT ";In_stat_byt;" ";Out_stat_byt
830 PRINT TABXY(10,11);"INDEX = ";Cntr
840 UNTIL Done
850 |
860 |
870 |
880 STOP
890 |
900 |
910 |
920 |
930 After_done:RESET @S300_buff ! Reset byte pointer to start.
940 TRANSFER @Path_3852 TO @S300_buff;COUNT 49152,EOR (END) ! Restart transf
er.
950 Cntr=Cntr+1
960 RETURN
970 |
980 |
990 Terminate:WAIT .50 ! Take more data after intr.
1000 OFF EOT @Path_3852 ! Cancel inbound EOT.
1010 ABORPIO @Path_3852 ! Clean up HPiB path.
1020 ASSIGN @Path_3852 TO *
1030 STATUS @S300_buff,3;Fill_ptr
1040 PRINT TABXY(10,20);"ENDING FILL POINTER IS";Fill_ptr
1050 PRINT TABXY(10,18);"REACHED A GOOD END."
1060 STOP
1070 |
1080 |
1090 |
1100 END

```