



Agilent Technologies

TRIPLE OUTPUT POWER SUPPLY Agilent MODEL E3630A

OPERATING AND SERVICE MANUAL FOR INSTRUMENTS WITH SERIAL NUMBERS KR85014528 AND ABOVE

For instruments with Serial Numbers above
KR85014528, a change page may be included.

SAFETY SUMMARY

The following general safety precautions must be observed during all phases of operation, service, and repair of this instrument. Failure to comply with these precautions or with specific warnings elsewhere in this manual violates safety standards of design, manufacture, and intended use of the instrument. Agilent Technologies assumes no liability for the customer's failure to comply with these requirements.

BEFORE APPLYING POWER.

Verify that the product is set to match the available line voltage and that the correct fuse is installed.

GROUND THE INSTRUMENT.

This product is a Safety Class I instrument (provided with a protective earth terminal). To minimize shock hazard, the instrument chassis and cabinet must be connected to an electrical ground. The instrument must be connected to the ac power supply mains through a three-conductor power cable, with the third wire firmly connected to an electrical ground(safety ground) at the power outlet. Any interruption of the protective(grounding) conductor or disconnection of the protective earth terminal will cause a potential shock hazard that could result in personal injury. If the instrument is to be energized via an external autotransformer for voltage reduction, be certain that the autotransformer common terminal is connected to the neutral(earthed pole) of the ac power lines (supply mains).

DO NOT OPERATE IN AN EXPLOSIVE ATMOSPHERE.

Do not operate the instrument in the presence of flammable gases or fumes.

KEEP AWAY FROM LIVE CIRCUITS.

Operating personnel must not remove instrument covers. Component replacement and internal adjustments must be made by qualified service personnel. Do not replace components with power cable connected. Under certain conditions, dangerous voltages may exist even with the power cable removed. To avoid injuries, always disconnect power, discharge circuits and remove external voltage sources before touching components.

DO NOT SERVICE OR ADJUST ALONE.

Do not attempt internal service or adjustment unless another person, capable of rendering first aid and resuscitation, is present.

SAFETY SYMBOLS



Instruction manual symbol; the product will be marked with this symbol when it is necessary for the user to refer to the instruction manual.



Indicate earth(ground) terminal.

WARNING

The WARNING sign denotes a hazard. It calls attention to a procedure, practice, or the like, which, if not correctly performed or adhered to, could result in personal injury. Do not proceed beyond a WARNING sign until the indicated conditions are fully understood and met.

CAUTION

The CAUTION sign denotes a hazard. It calls attention to an operating procedure, or the like, which, if not correctly performed or adhered to, could result in damage to or destruction of part or all of the product. Do not proceed beyond CAUTION sign until the indicated conditions are fully understood and met.

NOTE

The NOTE sign denotes important information. It calls attention to a procedure, practice, condition or the like, which is essential to highlight.

DO NOT SUBSTITUTE PARTS OR MODIFY INSTRUMENT.

Because of the danger of introducing additional hazards, do not install substitute parts or perform any unauthorized modification to the instrument. Return the instrument to a Agilent Technologies Sales and Service Office for service and repair to ensure that safety features are maintained.

Instruments that appear damaged or defective should be made inoperative and secured against unintended operation until they can be repaired by qualified service personnel.

Table of Contents

SAFETY SUMMARY	1-2
GENERAL INFORMATION	1-4
INTRODUCTION	1-4
SAFETY CONSIDERATIONS	1-4
SAFETY AND EMC REQUIREMENTS	1-4
INSTRUMENT AND MANUAL IDENTIFICATION	1-4
OPTIONS	1-4
ACCESSORY	1-4
DESCRIPTION	1-4
LINE FUSE	1-5
SPECIFICATIONS	1-5
INSTALLATION	1-6
INITIAL INSPECTION	1-6
Mechanical Check	1-6
Electrical Check	1-6
INSTALLATION DATA	1-6
Location and Cooling	1-6
Outline Diagram	1-6
Rack Mounting	1-6
INPUT POWER REQUIREMENTS	1-6
Power Cable	1-6
OPERATING INSTRUCTIONS	1-6
INTRODUCTION	1-6
TURN -ON CHECKOUT PROCEDURE	1-7
OPERATION	1-7
Tracking Ratio Control	1-7
Overload Protection Circuits	1-7
Operation Beyond Rated Output	1-7
Connecting Load	1-8
Parallel Operation	1-8
Series Operation	1-8
LOAD CONSIDERATIONS	1-8
PULSE LOADING	1-8
REVERSE CURRENT LOADING	1-8
OUTPUT CAPACITANCE	1-8
REVERSE VOLTAGE PROTECTION	1-8

GENERAL INFORMATION

INTRODUCTION

This section contains general information concerning the E3630A triple output power supply. Included are safety considerations, safety and EMC requirements, instrument and manual identification, option and accessory information, instrument description, and specifications.

SAFETY CONSIDERATIONS

This product is a Safety Class I instrument, which means that it is provided with a protective earth ground terminal. This terminal must be connected to an ac source that has a 3-wire ground receptacle. Review the instrument rear panel and this manual for safety markings and instructions before operating the instrument. Refer to the Safety Summary page at the beginning of this manual for a summary of general safety information. Specific safety information is located at the appropriate places in this manual.

SAFETY AND EMC REQUIREMENTS

This power supply is designed to comply with the following safety and EMC(Electromagnetic Compatibility) requirements:

- IEC 1010-1(1990)/EN 61010 (1993): Safety Requirements for Electrical Equipment for Measurement, Control, and Laboratory Use
- CSA C22.2 No.231: Safety Requirements for Electrical and Electronic Measuring and Test Equipment
- UL 1244: Electrical and Electronic Measuring and Testing Equipment
- EMC Directive 89/336/EEC: Council Directive entitled Approximation of the Laws of the Member States relating to Electromagnetic Compatibility
- EN 55011(1991) Group 1, Class B/CISPR 11 (1990): Limits and Methods of Radio Interference Characteristics of Industrial, Scientific, and Medical(ISM) Radio - Frequency Equipment
- EN 50082-1(1992) / IEC 801-2(1991): Electrostatic Discharge Requirements
- IEC 801-3(1984): Radiated Electromagnetic Field Requirements
- IEC 801-4(1988): Electrical Fast Transient/Burst Requirements

INSTRUMENT AND MANUAL IDENTIFICATION

A serial number identifies your power supply. The serial number encodes the country of manufacture, the week of the latest significant design change, and a unique sequential number. The letter "KR" designates Korea as the country of manufacture, the first one digit indicates the year (3=1993, 4=1994, and so forth), and the second two digits indicate the week. The remaining digits of the serial number are a unique, five-digit number assigned sequentially.

If the serial number on your supply does not agree with those on the title page of the manual, a yellow Change Sheet is supplied with the manual to explain the difference

between your instrument and the instrument described by this manual. The Change Sheet may also contain information for correcting errors in the manual.

OPTIONS

Options OE3 and OE9 determine which line voltage is selected at the factory. The standard unit is configured for 115 Vac \pm 10%, 47-63 Hz input.

Option No.	Description
OE3:	230 Vac \pm 10%, 47-63 Hz Input
OE9:	100 Vac \pm 10%, 47-63 Hz Input
910:	One additional operating and service manual shipped with the power supply

ACCESSORY

The accessory listed below may be ordered from your local Agilent Technologies Sales Office either with the power supply or separately. (Refer to the list at the rear of the manual for address.)

Agilent Part No. Description

5063-9767	Rack Kit for mounting one or two 3 1/2" high supplies in a standard 19" rack
-----------	--

The rack mount kit is needed for rack mounting of the E3630A power supply.

DESCRIPTION

This constant-voltage/current-limiting triple output power supply combines two 0 to \pm 20V tracking outputs rated at 0.5 amps with an additional single output that is rated at 0 to 6 volts and 2.5 amps. The +20V and -20V tracking outputs can also be used in series as a single 0 to 40V 0.5-amp output. Connections to the supply's output and to chassis ground are made to binding posts on the front panel. The supply's three outputs share a common output terminal, which is isolated from chassis ground so that any one output terminal can be grounded.

All outputs are protected against overload and short-circuit damage. The \pm 20V outputs are protected by circuits that limit the output current to 110% of its nominal maximum. The overload protection circuit for the +6V output has a current fold-back characteristic that reduces the output current as an overload increases until only 1 amp flows through a short circuit. The 6V output current limit depends on the output terminal voltage and varies linearly between 2.75 amps at 6 volts and 1 amp at zero volts.

All controls, digital meter, and output terminals are located on the front panel. One voltage control sets the 0 to 6V and another sets the voltages of the 0 to +20V and 0 to -20V outputs simultaneously. These dual tracking outputs are made more versatile by providing a tracking ratio control in addition to the usual voltage control. With the tracking ratio control turned fully clockwise to its "fixed" position, the dual outputs have a fixed 1:1 tracking ratio. As the \pm 20V voltage control is adjusted, the voltage of the negative supply tracks the positive output within \pm 1%. Turning the tracking ratio control away from its fully clockwise position switches the dual tracking outputs into a variable tracking ratio

mode. In this mode the voltage of the negative output can be set lower than that of the positive output. The tracking ratio control allows the negative supply's output to be set to any value between a maximum that is within $\pm 5\%$ of the positive supply's output and a minimum that is less than 0.5 volts. Once a ratio is established by the tracking ratio control, the ratio of the positive output voltage to the negative output voltage remains constant as the $\pm 20\text{V}$ voltage control varies the 0 to +20V output over its range.

The front panel also contains a line switch, three overload indicators for +6V output, +20V output, and -20V output, a voltmeter and an ammeter, and three push-button meter switches. The push buttons select one of the supply's three outputs for display. The voltmeter and ammeter always monitor any one supply simultaneously. In addition to the standard 115 Vac $\pm 10\%$ 47 to 63 Hz input, two other line voltage options

are available for nominal inputs of 100 and 230 Vac. The supply is furnished with a detachable 3-wire grounding type line cord. The ac line fuse is in an extractor type fuseholder on the rear heat sink.

LINE FUSE

The line fuse is located by the ac line receptacle. Check the rating of the line fuse and replace it with the correct fuse if necessary as indicated below. These are slow-blow fuses.

Line Voltage	Fuse	Agilent Part No.
100/115 Vac	1.6 A	2110-0918
230 Vac	1.0 A	2110-0599

SPECIFICATIONS

Table 1 lists detailed specifications for the power supply.

Table 1. Specifications

<p>AC INPUT</p> <p><u>Standard:</u> 115 Vac $\pm 10\%$, 47-63 Hz, 115 VA, 84 W <u>OE9:</u> 100 Vac $\pm 10\%$, 47-63 Hz, 115 VA, 84 W <u>OE3:</u> 230 Vac $\pm 10\%$, 47-63 Hz, 115 VA, 84 W</p> <p>DC OUTPUT and OVERLOAD PROTECTION</p> <p><u>0 to $\pm 20\text{ V}$ Outputs:</u> Maximum rated output current is 0.5 A. Short circuit output current is 0.55 A $\pm 5\%$ and a fixed current limit circuit limits the output of each supply to this maximum at any output voltage setting. Unbalanced loads within current rating are permitted.</p> <p><u>0 to +6 V Output:</u> Maximum rated output current is 2.5 A at 6 V. The maximum available output current decreases with the output voltage setting. A current foldback circuit limits the output to 2.75 A $\pm 5\%$ at 6 volts and, with decreasing voltage, reduces the current limit linearly to 1 A $\pm 15\%$ at zero volts (short circuited).</p> <p>TRACKING ACCURACY</p> <p>The +20 V and -20 V outputs track within 1% with the TRACKING ratio control in the Fixed position. (In variable tracking ratio mode, the negative tracking output can be adjusted from less than 0.5 V to within $\pm 5\%$ of the setting of the positive output.)</p> <p>LOAD REGULATION</p> <p><u>All Outputs:</u> Less than 0.01% plus 2 mV for a full load to no load change in output current.</p> <p>LINE REGULATION</p> <p><u>All Outputs:</u> Less than 0.01% plus 2 mV for any line voltage change within rating.</p> <p>PARD (Ripple and Noise)</p> <p><u>All Outputs:</u> Less than 0.35 mV rms/1.5 mV p-p (20 Hz-20 MHz). <u>Common Mode Current (CMI):</u> Less than 1 μA for all outputs (20 Hz-20 MHz).</p>	<p>OPERATING TEMPERATURE RANGE</p> <p>0 to 40 °C for full rated output. At higher temperatures, output current is derated linearly to 50% at 55 °C maximum temperature.</p> <p>TEMPERATURE COEFFICIENT</p> <p><u>All Outputs:</u> Less than 0.02% plus 1 mV voltage change per °C over the operating range from 0 to 40 °C after 30 minutes warm-up.</p> <p>STABILITY (OUTPUT DRIFT)</p> <p><u>All Outputs:</u> Less than 0.1% plus 5 mV (dc to 20 Hz) during 8 hours at constant line, load and ambient after an initial warm-up time of 30 minutes.</p> <p>LOAD TRANSIENT RESPONSE TIME</p> <p><u>All Outputs:</u> Less than 50 μsec for output recovery to within 15 mV of nominal output voltage following a load change from full load to half load, or vice versa.</p> <p>OUTPUT VOLTAGE OVERSHOOT</p> <p><u>All Outputs:</u> During turn-on or turn-off of ac power, output plus overshoot will not exceed 1 V if the output control is set for less than 1 V. If the control is set for 1 V or higher, there is no overshoot.</p> <p>METER ACCURACY: $\pm(0.5\%$ of output + 2 counts) at 25°C$\pm 5^\circ\text{C}$</p> <p>METER RESOLUTION</p> <p><u>All Output:</u> <u>Voltage</u> 10 mV <u>Current</u> 10 mA</p> <p>DIMENSIONS</p> <p>212.3 mmW x 88.1 mmH x 269.2 mmD (8.354 inW x 3.469 inH x 10.591 inD)</p> <p>WEIGHT: 3.8 kg(8.4 lbs) net, 5.1 kg(11.3 lbs) shipping</p>
---	--

INSTALLATION

INITIAL INSPECTION

Before shipment, this instrument was inspected and found to be free of mechanical and electrical defects. As soon as the instrument is unpacked, inspect for any damage that may have occurred in transit. Save all packing materials until the inspection is completed. If damage is found, a claim should be filed with the carrier. The Agilent Technologies Sales and Service office should be notified as soon as possible.

Mechanical Check

This check should confirm that there are no broken knobs or connectors, that the cabinet and panel surfaces are free of dents and scratches, and that the meter is not scratched or cracked.

Electrical Check

Perform the TURN-ON CHECKOUT PROCEDURE in the following paragraph to confirm that the supply is operational. Alternately, check the supply more fully using the PERFORMANCE TEST in the service information section.

INSTALLATION DATA

The instrument is shipped ready for bench operation. Before applying power to the supply, please read the INPUT POWER REQUIREMENTS paragraph.

Location and Cooling

This instrument is air cooled. Sufficient space should be allowed so that a free flow of cooling air can reach the sides and rear of the instrument when it is in operation. It should be used in an area where the ambient temperature does not exceed 40°C.

Outline Diagram

Figure 1 illustrates the outline shape and dimensions of the supply.

Rack Mounting

This supply may be rack mounted in a standard 19-inch rack panel either by itself or alongside a similar unit. Please see the ACCESSORY, page 1-4, for available rack mounting accessory. The rack-mounting kit includes complete installation instructions.

INPUT POWER REQUIREMENTS

Depending on the line voltage option ordered, the supply is ready to be operated from one of the power sources listed in Table 1. A label on the rear heat sink shows the nominal input voltage set for the supply at the factory.

Power Cable

To protect operating personnel, the supply should be grounded. This supply is equipped with a three conductor power cable. The third conductor is the ground conductor and when the cable is plugged into an appropriate receptacle, the supply is grounded.

The power supply is equipped at the factory with a power

cord plug appropriate for the user's location. Notify the nearest Agilent Sales and Service Office if the appropriate power cord is not included with the supply.

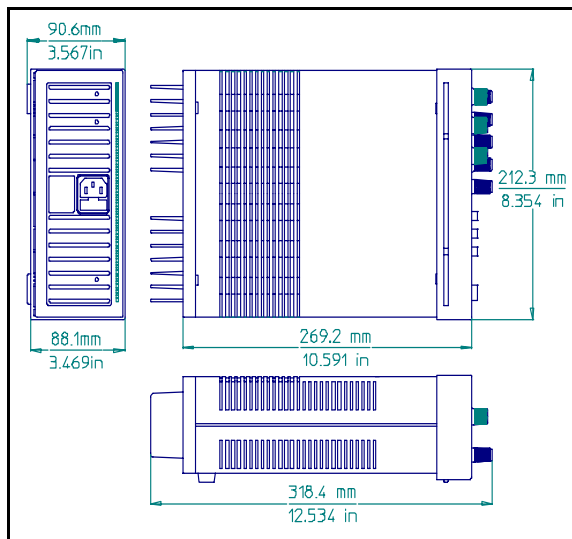


Figure 1. Outline Diagram

OPERATING INSTRUCTIONS

INTRODUCTION

The following steps describe the use of the front panel controls and indicators illustrated in Figure 2 and serve as a brief check that the supply is operational. Follow this checkout procedure or the more detailed performance test of service information section when the instrument is received and before it is connected to any load equipment.

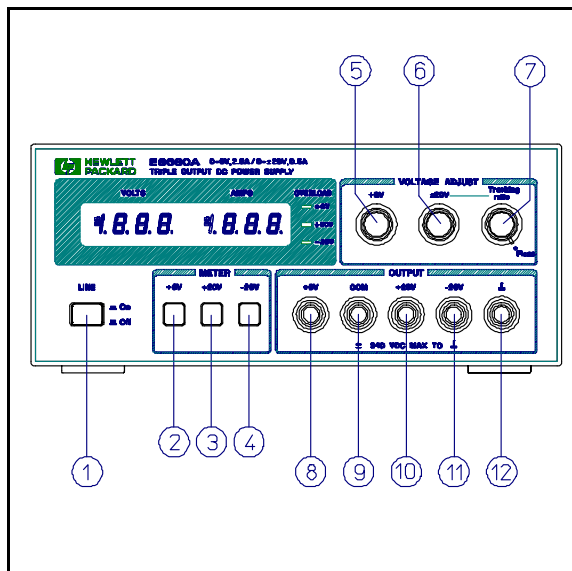


Figure 2. Front-Panel Controls and Indicators

CAUTION

Before applying power to the supply, check the label on the heat sink to make certain that the supply's line voltage option agrees with the line voltage to be used. If the option does not correspond to your line voltage, refer to paragraph "LINE VOLTAGE OPTION CONVERSION" in the service section before applying power.

TURN -ON CHECKOUT PROCEDURE

- a. Connect line cord to power source and turn LINE switch ① on.
- b. Push +6V METER switch ② and, with no load connected, vary +6V VOLTAGE control ⑤ over its range and check that the voltmeter responds to the control setting and the ammeter indicates zero.
- c. Set the +6V VOLTAGE control to 6 volts and short the +6V output terminal ⑧ to COM (common) terminal ⑨ with an insulated test lead. The ammeter should indicate a short-circuit output current of approximately 1.0 A. Remove the short from the output terminals.
- d. Push the +20V METER switch ③ and turn Tracking Ratio control ⑦ fully clockwise to the Fixed position. With no load connected, vary $\pm 20V$ VOLTAGE control ⑥ over its range and check that the voltmeter responds to the control setting and the ammeter indicates zero.
- e. Set the $\pm 20V$ VOLTAGE control ⑥ to 20 volts and short the +20V output terminal ⑩ to the COM terminal ⑨ with an insulated test lead. The ammeter should indicate a short-circuit output current of 0.55 A \pm 5%. Remove the short from the output terminals.
- f. Repeat steps (d) and (e) for -20 V output.
- g. Adjust the +20V output to 20 volts. Then push -20V METER switch and check the effect of the Tracking Ratio control on the voltage of the -20V output. The -20V output should be adjustable from less than 0.5 volts to a maximum of 19 to 21 volts.

If this brief checkout procedure or later use of the supply reveals a possible malfunction, see the service information section for detailed test, troubleshooting, and adjustment procedures.

OPERATION

This power supply can be operated individually or in parallel or series with another supply (see Parallel and Series Operation paragraphs). All output terminals are isolated from ground. The $\pm 20V$ and +6V outputs use a single common output terminal. This common (COM) terminal or any one of the other output terminals may be grounded to the chassis at the front panel ground terminal (⑫ in Figure 2), or all outputs may be left floating. Loads can be connected separately between each of the 0 to $\pm 20V$ output terminals and the COM terminal, or between the -20V and the +20V terminals for a 0 to 40V output. Each output voltage or current can be quickly selected for monitoring with the push-button meter switches. To moni-

tor the 0 to 40V output voltage, add the voltmeter readings of the +20V and -20V output and use either the +20V or the -20V meter to measure the current.

Tracking Ratio Control

With the Tracking Ratio control in the Fixed position, the voltage of the -20V supply tracks that of the +20V supply within 1% for convenience in varying the symmetrical voltages needed by operational amplifiers and other circuits using balanced positive and negative inputs.

Turn the Tracking Ratio control counter clockwise out of the Fixed position to set the voltage of the -20V supply lower than that of the +20V supply. The negative supply can be set from a minimum of less than 0.5 volts to a maximum within 5% of the +20V supply's output. Once this is done, the $\pm 20V$ voltage control still controls both outputs and maintains a constant ratio between their voltages.

Overload Protection Circuits

$\pm 20V$ Current Limit. The +20V and -20V outputs are individually protected against overload or short circuit damage by separate current limit circuits to limit the output current to 0.55 A \pm 5%. (This is 110% of the maximum rated output.) If a single load is connected between the +20V and -20V outputs, the circuit set for the lesser current limit will limit the output. No deterioration of supply performance occurs if the output current remains below the current limit setting.

+6V Current Foldback. The overload and short-circuit protection circuit for the +6V output reduces the output current limit as the output terminal voltage decreases. (The operating region of the +6V output is enclosed by heavy lines in Figure 4.) The maximum rated output current is 2.5 A and the current limit is factory-adjusted to operate at 2.75 A \pm 5% when the output is 6 volts. At lower output voltages, the circuit reduces the maximum obtainable output current linearly until 1 A \pm 15% flows when the output is shorted. The short-circuit current can not be adjusted.

NOTE

During the actual operation of the $\pm 20V$ and +6V outputs, if a load change causes the current limit to be exceeded, the OL LED is lighted. If overload conditions occur, the $\pm 20V$ supplies will protect the load by limiting the current to 0.55 A and the +6V supply will protect the load by reducing both voltage and current simultaneously along the foldback locus as shown in Figure 4. The $\pm 20V$ and +6V supplies are self restoring; that is, when the overload is removed or corrected, the output voltage is automatically restored to the previously set value.

Operation Beyond Rated Output

The supply may be able to provide voltages and currents greater than its rated maximum outputs if the line voltage is at or above its nominal value. Operation can be extended up to 5% over the rated output without damage to the supply, but performance can not be guaranteed to meet specifications in

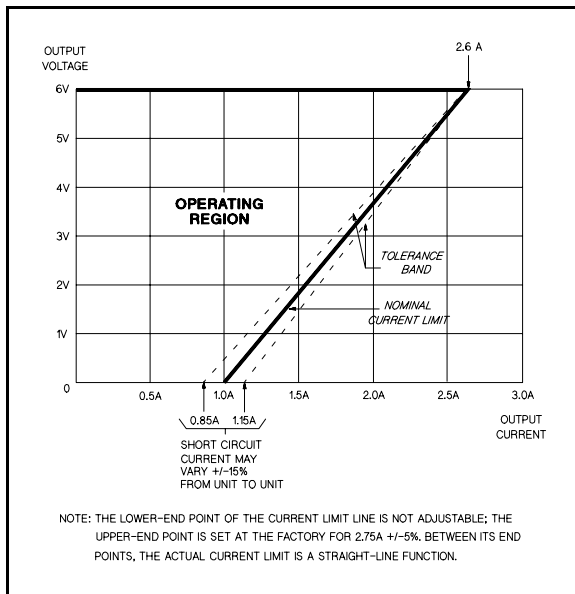


Figure 3. Current Limit Characteristic of the 6V Supply

this region. If the line voltage is maintained in the upper end of the input voltage range, however, the supply probably will operate within its specifications

Connecting Load

Each load should be connected to the power supply output terminals using separate pairs of connecting wires. This will minimize mutual coupling effects between loads and takes full advantage of the low output impedance of the supply. Load wires must be of adequately heavy gauge to maintain satisfactory regulation at the load.

Each pair of connecting wires should be as short as possible and twisted or shielded to reduce noise pick-up. If a shield is used, connect one end to the supply ground terminal and leave the other end unconnected.

If load considerations require locating output power distribution terminals at a distance from the power supply, then the power supply output terminals should be connected to the remote distribution terminals by a pair of twisted or shielded wires and each load should be connected to the remote distribution terminals separately.

Parallel Operation

Two or more supplies can be connected in parallel to obtain a total output current greater than that available from one supply. The total output current is the sum of the output currents of the individual supplies. The output voltage controls of one power supply should be set to the desired output voltage, and the other supply set for a slightly larger output voltage. The supply set to the lower output voltage will act as a constant voltage source, while the supply set to the higher output will act as a current-limited source, dropping its output voltage until it equals that of the other supply. The constant voltage source will deliver only that fraction of its rated output current

necessary to fulfill the total current demand.

Series Operation

Series operation of two or more power supplies can be accomplished up to the output isolation rating of any one supply to obtain a higher voltage than that available from a single supply. Series connected supplies can be operated with one load across both supplies or with a separate load for each supply. The power supply has a reverse polarity diode connected across the output terminals so that if operated in series with other supplies, damage will not occur if the load is short-circuited or if one supply is turned on separately from its series partners. When this connection is used, the output voltage is the sum of the voltages of the individual supplies. Each of the individual supplies must be adjusted in order to obtain the total output voltage.

LOAD CONSIDERATIONS

This section provides information on operating your supply with various types of loads connected to its output.

PULSE LOADING

The power supply will automatically cross over from constant-voltage to current-limit operation in response to an increase in the output current over the preset limit. Although the preset limit may be set higher than the average output current, high peak currents (as occur in pulse loading) may exceed the preset current limit and cause crossover to occur and degrade performance.

REVERSE CURRENT LOADING

An active load connected to the supply may actually deliver a reverse current to the supply during a portion of its operating cycle. An external source can not be allowed to pump current into the supply without risking loss of regulation and possible damage to the output capacitor of the supply. To avoid these effects, it is necessary to preload the supply with a dummy load resistor so that the supply delivers current through the entire operating cycle of the load devices.

OUTPUT CAPACITANCE

An internal capacitor across the output terminals of the supply helps to supply high-current pulses of short duration during constant-voltage operation. Any capacitance added externally will improve the pulse current capability, but will decrease the load protection provided by the current limiting circuit. A high-current pulse may damage load components before the average output current is large enough to cause the current limiting circuit to operate.

REVERSE VOLTAGE PROTECTION

A diode is connected across the output terminals with reverse polarity. This diode protects the output electrolytic capacitors and the series regulator transistors from the effects of a reverse voltage applied across the output terminals. Since series regulator transistors can not withstand reverse voltage either, diodes are also connected across them. When operating supplies in parallel, these diodes protect an unenergized supply that is in parallel with an energized supply.

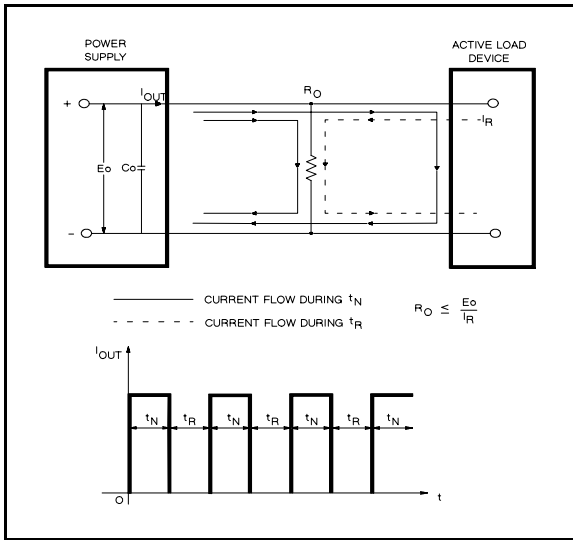


Figure 4. Reverse Current Loading Solution

SERVICE INFORMATION

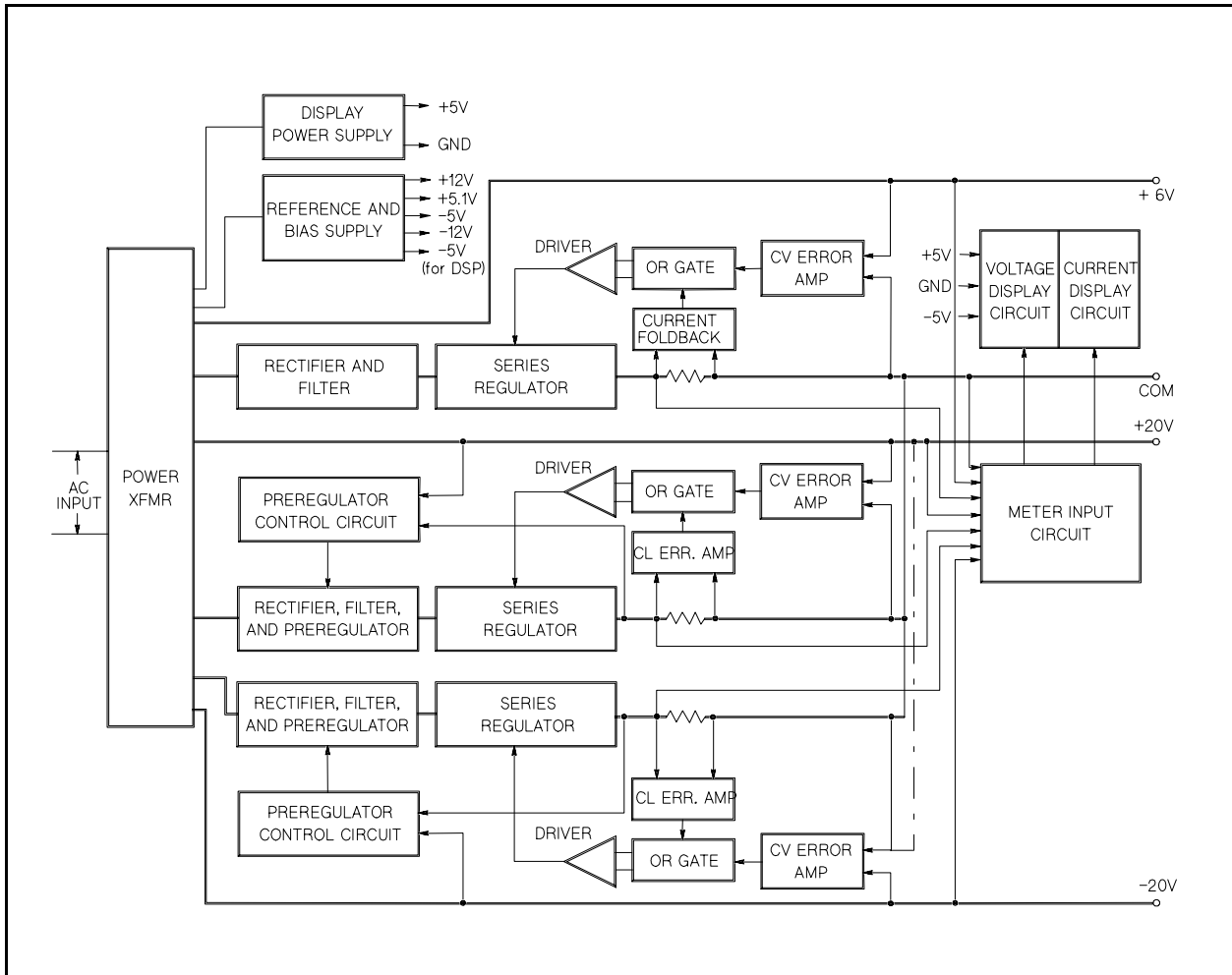


Figure A-1. Block Diagram

PRINCIPLES OF OPERATION (Block Diagram Overview)

This section presents the principles of operation of the E3630A Triple Output Power Supply. Throughout this discussion, refer to both the block diagram of Figure A-1 and the schematic diagrams at the rear of the manual.

The two primary windings of the power transformer are connected in one of three different ways by setting the two slide switches mounted on the circuit board. These switches select one of the nominal ac input voltages for which the supply is designed: 100 V, 115 V, or 230 V.

The transformer secondaries, together with rectifiers and capacitor filters, provide raw dc for the three output regulator circuits and for another regulator that provides reference and bias voltages to the output regulators.

By comparing its output to a high-stability reference, the 0 to +6-volt regulator holds its output voltage at the value determined by a front panel control. Any error in the actual output as compared to the desired output is amplified by an operational amplifier and applied as feedback to control the conduction of a series regulator transistor. As a result, the voltage across the series transistor varies so as to hold the output voltage constant at the desired level. The high gain of the voltage comparison amplifier and the stability of the reference voltage ensure that input voltage or load current variations have little effect on the output voltage.

The 0 to +6-volt output is protected by a current foldback limiter to minimize dissipation in the series regulator transistor during overloads. In a current foldback circuit, the current limit depends on the output terminal voltage. The current limit ranges from $2.75 \text{ A} \pm 5\%$ at 6 volts to $1 \text{ A} \pm 15\%$ with the output shorted. The operating region of the +6-volt regulator out-

put is enclosed by a heavy line in Figure 3 of the operating section. If the operating point reaches the diagonal current limit line, a decrease in load resistance moves the operating point down the line, reducing the output voltage and current. Current foldback is controlled by a second operational amplifier (current comparison amplifier) in the regulator that monitors the dc output current. This current comparison amplifier takes control of the output away from the voltage comparison amplifier when the current reaches the design limit. Removing the overload restores constant voltage operation automatically.

The 0 to +20-volt regulator has a fixed current limit at 105% of its 0.5 amp maximum rated output. The input ac line voltage is first applied to the preregulator which operates in conjunction with the SCR control circuit (preregulator control circuit) to rectify the tap switched AC voltage. This preregulator minimizes the power dissipated in the series regulating elements by controlling the dc level across the input filter capacitor, depending on the output voltage. To achieve this, tap switching is accomplished by two SCRs and one bridge diode (CR28, CR32 and CR26) and the SCR control circuit. This circuit allows the input capacitor to charge to one of two discrete voltage levels depending on the output required.

When output voltage exceeds the reference level, the SCR control circuit fires two SCRs that cause the input capacitor to be charged to the voltage which is necessary for full output of the supply. When the two SCRs are not fired, the bridge diode CR26 conducts and half the voltage is applied to series pass transistor Q9.

The 0 to -20-volt regulator is, in turn, similar to the +20-volt regulator except that it resembles a complementary mirror image of the latter. The output voltages of the +20-volt and -20-volt supplies are both set by the same front panel control and track each other within 1% in the fixed tracking ratio mode. Precise tracking of the two outputs is achieved by controlling the positive output conventionally and using that output as the reference voltage for the negative output.

The reference and bias supply powers the operation amplifiers and provides reference and bias voltages for the output regulators. The display power circuit provides voltage which is used by the A/D converter and display.

The turn-on/turn-off control circuit prevents output transients when the supply is turned on or off. It does this by delaying the application of certain bias and reference voltages at turn-on and removing them shortly after turn-off.

Three meter push-button switches select which of the supplies has its output voltage and current indicated on the front panel meters.

Diode CR2, CR3, and CR4 are connected across the output terminals in reverse polarity. They protect the output electrolytic capacitor and the series regulator transistors from a reverse voltage applied across the output terminals.

MAINTENANCE

INTRODUCTION

This section provides performance test, troubleshooting information, and adjustment and calibration procedures. The following operation verification tests comprise a short procedure to verify that the power supply is performing properly, without testing all specified parameters.

If a fault is detected in the power supply while making the performance check or during normal operation, proceed to the troubleshooting procedures. After troubleshooting, perform any necessary adjustments and calibrations. Before returning the power supply to normal operation, repeat the performance check to ensure that the fault has been properly corrected and that no other faults exist.

Test Equipment Required

The following Table A-1 lists the equipment required to perform the various procedures described in this section.

Table A-1. Test Equipment Required

TYPE	REQUIRED CHARACTERISTICS	USE	RECOMMENDED MODEL
Oscilloscope	Sensitivity : 100 μ V Bandwidth : 20 MHz/100 MHz	Display transient response and ripple and noise waveforms.	Agilent 54600A
RMS Voltmeter	True rms, 20 MHz bandwidth Sensitivity : 1 mV Accuracy : 5%	Measure rms ripple and noise voltage.	
Multimeter	Resolution : 100 nV Accuracy : 0.0035%	Measure dc voltages.	Agilent 34401A
Electronic Load	Voltage Range : 240 Vdc Current Range : 10 Adc Open and short switches Transient on/off	Measure load and line regulation.	Agilent 6063A
Resistive Loads (R_L)	40 Ω 20 W, 2.4 Ω 20 W	Measure ripple and noise.	

Table A-1. Test Equipment Required (Cont'd)

Current Sampling Resistor (Shunt)	100 mΩ 0.1% 15 W	Measure output current	
Variable Voltage Auto Transformer	Range : 85-130 and 200-260 Volts	Vary ac input.	

Operation Verification Tests

The following tests assure that the power supply is performing properly. They do not, however, check all the specified parameters tested in the complete performance test described below. Proceed as follows:

- a. Perform turn-on checkout procedure given in page 1-7.
- b. Perform the load regulation performance tests given in the following paragraphs.

Line Voltage Option Conversion

To convert the supply from one line voltage option to another, the following three steps are necessary:

- a. After making certain that the line cord is disconnected from a source of power, remove the top cover from the supply and set the two sections of the line voltage selector switch for the desired line voltage (see Figure A-2).
- b. Check the rating of the installed fuse and replace it with the correct value, if necessary. For Option OE3, use a slow-blow 1.0-amp fuse. For standard and Option OE9, use a slow-blow 1.6-amp fuse.
- c. Mark the instrument clearly with a tag or label indicating the correct line voltage to be used.

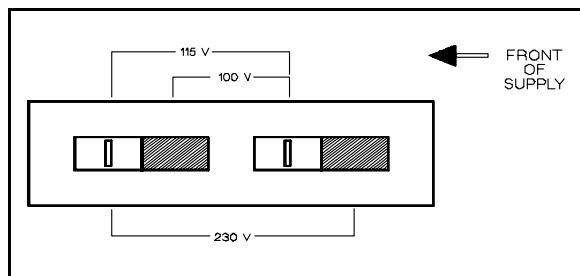


Figure A-2. Line Voltage Selector (set for 115 Vac)

PERFORMANCE TESTS

The following paragraphs provide test procedures for verifying the power supply's compliance with the specifications of Table 1. Proceed to the troubleshooting procedures if you observe any out of specification performance.

CAUTION

Before applying power to the supply, make certain that its line voltage selector switch (S2) is set for the line voltage to be used. (See CAUTION notice in operating section for additional information on S2.)

General Measurement Techniques

Connecting Measuring Devices. To achieve valid results when measuring load regulation, ripple and noise, and transient response time of the supply, measuring devices must be connected as close to the output terminals as possible. A measurement made across the load includes the impedance of the leads to the load. The impedance of the load leads can easily be several orders of the magnitude greater than the supply impedance and thus invalidate the measurement. To avoid mutual coupling effects, each measuring device must be connected directly to the output terminals by separate pairs of leads.

When performance measurements are made at the front terminals (Figure A-3) the load should be plugged into the front of the terminals at (B) while the monitoring device is connected to a small lead or bus wire inserted through the hole in the neck of the binding post at (A). Connecting the measuring device at (B) would result in a measurement that includes the resistance of the leads between the output terminals and the point of connection.

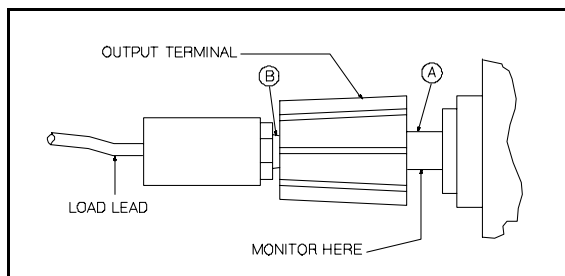


Figure A-3. Front Panel Terminal Connections

Selecting Load Resistors. Power supply specifications are checked with a full load resistance connected across the supply output. The resistance and wattage of the load resistor, therefore, must permit operation of the supply at its rated output voltage and current. For example, a supply rated at 20 volts and 0.5 amperes would require a load resistance of 40 Ω at the rated output voltage. The wattage rating of this resistor would have to be at least 20 watts.

Electronic Load. Some of the performance test procedures use an electronic load to test the supply quickly and accurately. An electronic load is considerably easier to use than a load resistor. It eliminates the need for connecting resistors or rheostats in parallel to handle the power, it is much more stable than a carbon-pile load. It is easier to switch between load conditions as required for the load regulation and load transient response tests.

Output Current Measurement. For accurate output current measurements, a current sampling resistor should be inserted between the load and the output of the supply. To simplify grounding problems, one end of this sampling resistor should be connected to the same output terminal of the supply which will be shorted to ground. An accurate voltmeter is then placed across the sampling resistor and the output current calculated by dividing the voltage across the sampling resistor by its ohmic value. The total resistance of the series combination should be equal to the full load resistance as determined in the preceding paragraphs. Of course, if the value of the sampling resistor is very low when compared to the full load resistance, the value of the sampling resistor may be ignored. The meter shunt recommended in Table A-1, for example, has a resistance of only 100 m Ω and can be neglected when calculating the load resistance of the supply. Figure A-4 shows a four terminal meter shunt. The load current through a shunt must be fed from the extremes of the wire leading to the resistor while the sampling connections are made as close as possible to the resistance portion itself.

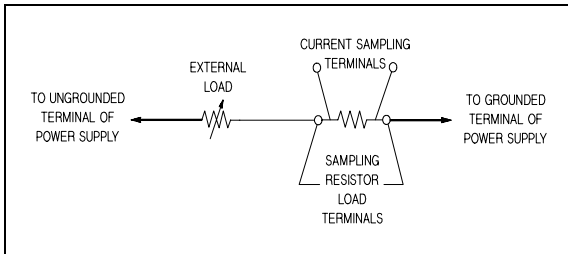


Figure A-4. Current Sampling Resistor Connections

Rated Output, Tracking, Meter Accuracy, and Current Limit

To check that all supplies will furnish their maximum rated output voltage and current, that the $\pm 20\text{V}$ outputs track each other, that the front panel meters are accurate, and that the current limit circuits function, proceed as follows:

Voltmeter Accuracy

- With no loads connected: turn on the supply, connect a digital voltmeter between the +20V terminal and common (COM), and set the $\pm 20\text{V}$ VOLTAGE control so that the DVM indication is as near as possible to 17 volts.
- Push the +20V METER switch on and check the front panel voltmeter indication. It should be within $\pm(0.5\% + 2 \text{ counts})$ of the DVM indication (16.90V to 17.10V).
- Set the TRACKING RATIO control to the FIXED position, and check the +20V and -20V ranges of the front panel voltmeter similarly by connecting the DVM to each of these outputs in turn, setting the $\pm 20\text{V}$ VOLTAGE control for a 20 volts DVM indication, and verifying that the panel meter is accurate within $\pm(0.5\% + 2 \text{ counts})$ (19.7V to 20.3V).

Tracking

- Connect the DVM to the +20V output, set the $\pm 20\text{V}$ VOLTAGE control for a DVM indication of 20 volts, and reconnect the DVM to the -20V output without disturbing the voltage control. The voltage at the -20V output should be within 1% of the +20V output (19.8V to 20.2V).

Variable Tracking Ratio

- Leave the $\pm 20\text{V}$ VOLTAGE control set as in step (d), and use a DVM to monitor the voltage of the -20V supply while adjusting the TRACKING RATIO control over its VARIABLE range. The -20V supply should be capable of being adjusted from less than 0.5 volts to between 19 to 21 volts. Return the TRACKING RATIO control to the FIXED position.

NOTE

Leave the TRACKING RATIO control in the FIXED position throughout the remainder of the performance test.

Rated Output and Ammeter Accuracy

- Connect two 40 Ω 20 W load resistors across both of the 20V outputs of the supply and set the $\pm 20\text{V}$ VOLTAGE control for $\pm 20\text{V}$ outputs. (All supplies must be fully loaded while checking the rated output voltage and current of each supply.)
- Connect the test setup shown Figure A-5 to the +6V output. Make the total resistance of R_L and the current sampling resistor equal to 2.4 Ω to permit operating the output at full load. R_L should have a power rating of at least 20 watts.
- Close the switch and set the +6V VOLTAGE control so that the DVM indicates a voltage drop across the current sampling resistor that corresponds to a current of 2.5 amps.
- Push the +6V METER switch and verify that the front panel ammeter indication is within $\pm(0.5\% + 2 \text{ counts})$ of 2.5 amps (2.47A to 2.53A).
- Check the rated output and ammeter accuracy of the +20V and -20V supplies similarly by connecting the test setup of Figure A-5 to each output in turn. For each 20V supply: make the total resistance of R_L and the current sampling resistor 40 Ω , set the $\pm 20\text{V}$ VOLTAGE control for a current indication on the DVM of 0.5 A, check that the panel meter indication is within $\pm(0.5\% + 2 \text{ counts})$ of 0.5 A (0.48A to 0.52A).

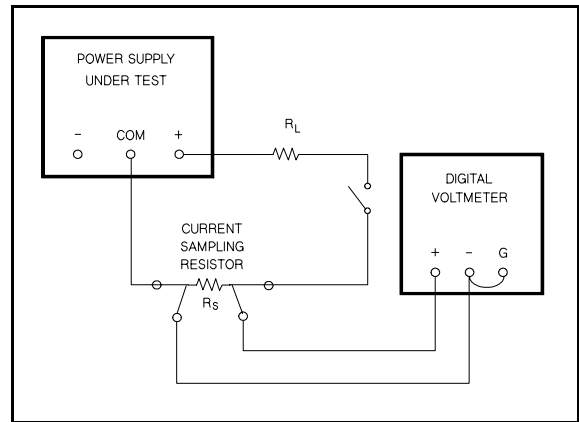


Figure A-5. Output Current, Test Set UP

Current Limit

- k. Disconnect all loads from the supply.
- l. Connect the test setup shown in Figure A-5 to the +20-volt output. Substitute a short for R_L and leave the load circuit switch open.
- m. Set the voltage of the $\pm 20V$ supplies to 20 volts.
- n. Close the load switch and determine the current flow through the current sampling resistor (meter shunt) by measuring its voltage drop with the DVM. The current should be $0.55A \pm 5\%$ ($0.5225A$ to $0.5775A$).
- o. Check the current limit of the -20V supply in the same way. Its short-circuit current should also be $0.55A \pm 5\%$ ($0.5225A$ to $0.5775A$).
- p. Connect the test setup shown in Figure A-5 to the +6V output. Close the switch, set the total resistance of R_L and the current sampling resistor to an initial value of 2.4Ω or greater, and set the output voltage to 6 volts.
- q. Reduce the value of R_L gradually while observing the output current indicated by the DVM. The current should increase to a maximum of $2.75A \pm 5\%$ ($2.6125A$ to $2.8875A$) before it begins to decrease.
- r. Connect a short across R_L and then recheck the current indicated by the DVM. The short-circuit current of this output should be $1A \pm 15\%$ ($0.85A$ to $1.15A$). Disconnect the test setup from the supply.

Load Regulation (Load Effect)

Definition: The change, ΔE_{OUT} , in the static value of dc output voltage resulting from a change in load resistance from open circuit to the value that yields maximum rated output current (or vice versa).

To check the load regulation:

- a. Connect the test equipment across the output of the +20V supply as shown in Figure A-6. Operate the electronic load in constant current mode and set its current to the full rated value of the +20V supply.
- b. Turn on the supply and adjust its voltage to its maximum rated value.
- c. Record the voltage indicated on the DVM.
- d. Operate the electronic load in open (input off) mode and recheck the DVM indication after reading settles. It should be within 0.01% plus 2mV of the reading in step (c).
- e. Repeat steps (a) through (d) for each of the remaining supply outputs.

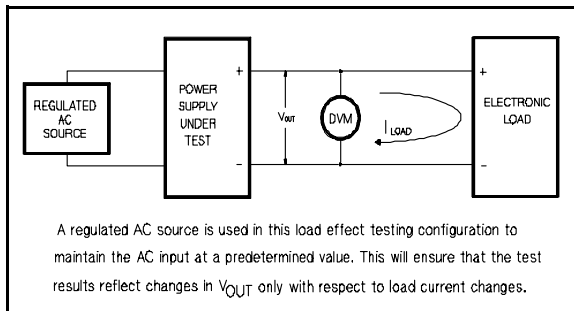


Figure A-6. Basic Test Setup

Line Regulation (Source Effect)

Definition: The change, ΔE_{OUT} , in the static value of dc output voltage resulting from a change in ac input voltage from a minimum to a maximum value ($\pm 10\%$ of nominal voltage).

To check the line regulation:

- a. Connect a variable autotransformer between the input power source and the power supply line plug.
- b. Connect the test equipment across the output of the +20V supply as shown in Figure A-6. Operate the electronic load in constant current mode and set its current to the full rated value of the +20V supply.
- c. Adjust the autotransformer for a low line input (-10% of nominal voltage).
- d. Turn on the power, adjust the output of the supply to its maximum rated voltage, and record the DVM indication.
- e. Adjust the autotransformer for high line voltage input (+10% of nominal voltage) and recheck the DVM indication. It should be within 0.01% plus 2mV of the reading in step (d).
- f. Repeat steps (b) through (e) for each of the remaining supply outputs.

Ripple and Noise

Definition: Ripple and noise are measured in the rms or peak-to-peak value over a 20 Hz to 20 MHz bandwidth. Fluctuations below the lower frequency limit are treated as drift.

RMS Measurement

The rms measurement is not an ideal representation of the noise, since fairly high output noise spikes of short duration could be present in the ripple and not appreciably increase the rms value.

To measure the ripple and noise of the rms value on each output supply output:

- a. Connect the test equipment across the output of the +20V supply as shown in Figure A-7.
- b. Turn on the supply and push +20V METER switch.
- c. Turn up output voltage to the full rated value.
- d. Check that the rms noise voltage at the true rms voltmeter is less than 0.35mV.
- e. Repeat for the remaining supply outputs.

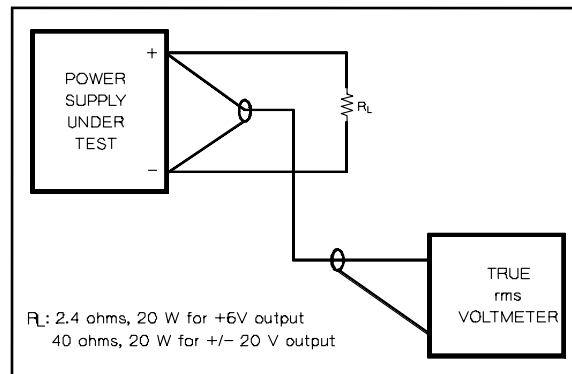


Figure A-7. Ripple and Noise rms Measurement Test Setup

Peak-to-Peak Measurement

The peak-to-peak measurement is particularly important for applications where noise spikes could be detrimental to a sensitive load, such as logic circuitry.

To measure the ripple and noise of the peak-to-peak value on each output supply output:

- Connect the test equipment across the output of the +20V supply as shown in Figure A-7, but replace the true rms voltmeter with the oscilloscope.
- Turn on the supply and push +20V METER switch.
- Turn up output voltage to the full rated value.
- Set the oscilloscope to AC mode and bandwidth to 20 MHz.
- Check that the peak-to-peak noise is less than 1.5 mV.
- Repeat for the remaining supply outputs.

Common Mode Current (CMI)

Definition : Common mode current is that ac current component which exists between any or all supply or output lines and chassis ground.

To measure the common mode current:

- Connect the full load for +6V output.
- Connect a 100 k Ω resistor(R_S) and a 2200 pF capacitor in parallel between common terminal(COM) and chassis ground.
- Connect the DVM across R_S .

- Turn on the supply.
- Record the voltage across R_S and convert it to current by dividing this voltage by R_S .
- Check that the current is less than 1 μ A.

Load Transient Response Time

Definition : This is the time for the output voltage to return to within a specified band around its voltage following a change from full load to half load or half load to full load.

To measure the load transient response time:

- Connect the test equipment across the output of the +20V supply as shown in Figure A-6, but replace the DVM with the oscilloscope. Operate the electronic load in constant current mode.
- Turn on the supply.
- Turn up output voltage to the full rated value.
- Set the electronic load to transient operation mode between one half of supply's full rated value and supply's full rated value at a 1 KHz rate with 50% duty cycle.
- Set the oscilloscope for ac coupling, internal sync and lock on either the positive or negative load transient.
- Adjust the oscilloscope to display transients as in Figure A-8.
- Check that the pulse width (t_2-t_1) of the transients at 15 mV from the base line is no more than 50 μ sec as shown.
- Repeat for the remaining supply outputs.

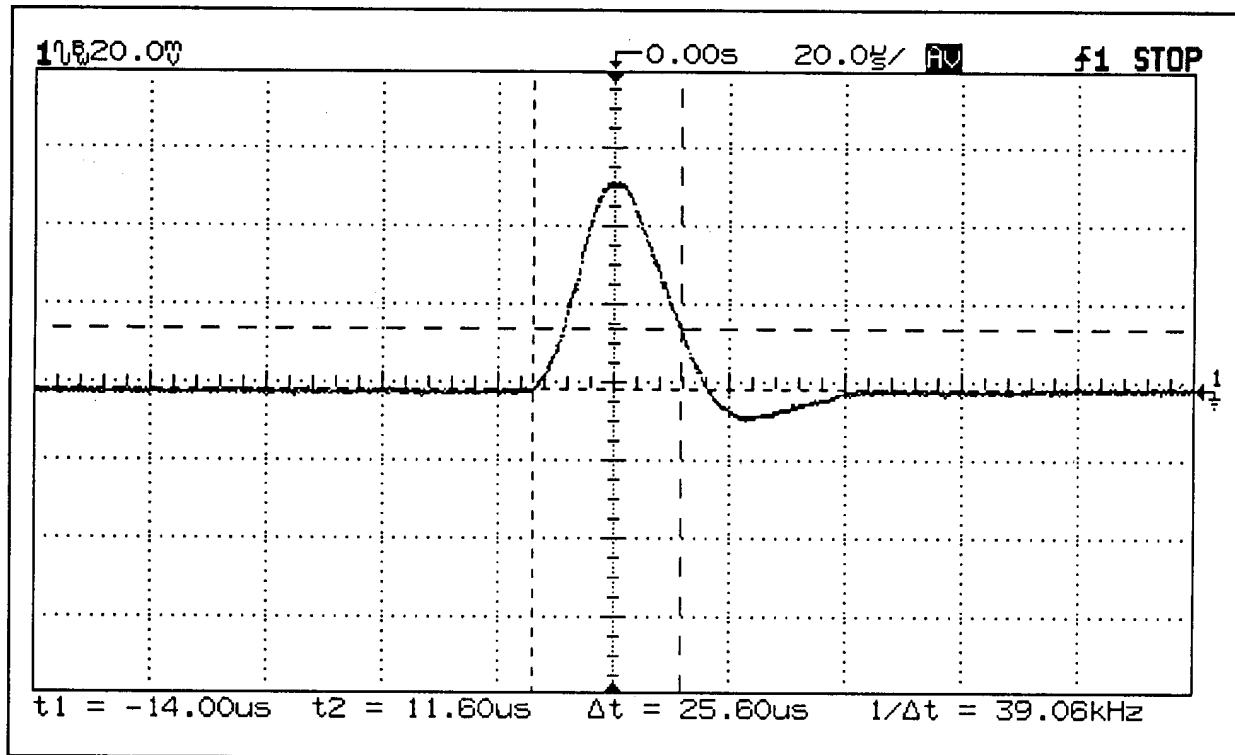


Figure A-8. Load Transient Response Time Waveform

Stability (Drift)

Definition: The change in output voltage (dc to 20 Hz) for the first 8 hours following a 30-minute warm-up period with constant input line voltage, constant load resistance and constant ambient temperature.

To measure the stability:

- a. Connect the test equipment across the output of the +20V supply as shown in Figure A-6.
- b. Operate the electronic load in constant current mode and set its current to the full rated value of power supply.
- c. Turn on the supply.
- d. Turn up output voltage to the full rated value as read on the digital voltmeter.
- e. After a 30-minute warm-up, note the voltage on DVM.
- f. The output voltage reading should deviate less than 0.1% plus 5 mV from the reading obtained in step e over a period of 8 hours.
- g. Repeat for the remaining supply outputs.

TROUBLESHOOTING

Before attempting to troubleshoot the power supply, ensure that the fault is with the supply and not with an associated piece of equipment. You can determine this without removing the covers from the power supply by using the appropriate portions of the "Performance Test" paragraph.

CAUTION

Before applying power to the supply, make certain that its line voltage selector switch (S2) is set for the line voltage to be used.

Initial Troubleshooting Procedure

If a malfunction is found, follow the steps below:

- a. Disconnect input power from the supply and remove all loads from the output.
- b. Table A-2 lists the symptoms and probable causes of several possible troubles. If the symptoms is one of those listed, make the recommended checks.
- c. If none of the symptoms of Table A-2 apply, proceed to Table A-3. This table provides an initial troubleshooting procedure that also directs you to the more detailed procedures which follow it.

The numbered test points referred to in the troubleshooting procedures are identified on the circuit schematic at the rear of the manual.

Open Fuse Troubleshooting

Although transients or fatigue can cause a fuse to blow, it is a good idea to inspect the unit for obvious shorts such as damaged wiring, charred components, or extraneous metal parts or wire clippings in contact with circuit board conductors before replacing the fuse. The rating of the correct replacement fuse depends on the line voltage option of the instrument: for Option OE3, use a slow-blow 1.0-amp fuse and standard and Option OE9, use a slow-blow 1.6-amp fuse.

Table A-2. Miscellaneous Troubles

SYMPTOM	CHECK - PROBABLE CAUSE
High ripple	<ol style="list-style-type: none"> a. Check operating setup for ground loops. b. Check main rectifiers (CR1, CR25, CR26) for open. c. Supply may be operating in current limit mode. Check current limit adjustment, steps (k) thru (r) on page A-5.
Will not current limit	Check for open OR-gate diodes (CR7, CR11, CR18) or defective current limit amplifier (U2, U6, U8).
Poor load and line regulation	<ol style="list-style-type: none"> a. Check bias and reference voltages, Table A-4. b. Check main rectifiers and filters for opens.
Oscillation or poor transient response time	<ol style="list-style-type: none"> a. High frequency oscillations (above 50 kHz) can be caused by an open C11, C20, or C25. b. A defective output capacitor (C2, C3, or C4) can cause oscillations in one of many frequency ranges. c. Oscillation only in the current limiting mode can be caused by an open C12, C19, or C24.
Transient voltage overshoot at turn-on or turn-off	<ol style="list-style-type: none"> a. Overshoot only in the -20V supply can be caused by a shorted Q3. b. Overshoot in all three supply outputs can be caused by an open Q2 or a shorted Q6.
Excessive heat	<ol style="list-style-type: none"> a. Check preregulator control circuit. Refer to Table A-8 and Table A-9. b. Check CR27, CR28, CR31, CR32 for short.
Output Voltage clamped above 10V for ± 20V output	Check preregulator control circuit. Refer to Table A-8 and Table A-9.

Table A-3. Initial Troubleshooting Procedure

STEP	ACTION	RESPONSE	NEXT ACTION
1	Check output voltage of +20V supply.	a. Normal b. Zero volts c. Output voltage lower or higher than rating	a. Proceed to step (2). b. Check ac line fuse (F1). If blown, proceed to "Open Fuse Troubleshooting" paragraph. If not blown, check bias and reference voltages (Table A-4). c. Check bias and reference voltages (Table A-4).
2	Check output voltage of -20V supply in fixed tracking ratio mode.	a. Normal b. High, low, or zero output voltage.	a. If +20V and -20V outputs are both normal with no load, a supply might be current limiting under load. To check this adjustment see steps (l) thru (p) on page A-4. b. Proceed to -20V supply troubleshooting.
3	Check output of +6V supply.	a. Normal b. High, low, or zero output voltage.	a. If the output of this supply is normal unloaded but its voltage falls when loaded, check the current limit adjustment, steps (q) thru (t) on page A-4. b. Proceed to Table A-7.

Table A-4. Bias and Reference Voltage Check

STEP	ACTION	RESPONSE	NEXT ACTION
1	Check +12V bias.	a. Normal (+12V ± 5%) b. Voltage high c. Output voltage lower or higher than rating	a. Proceed to step (3). b. Check U3 for short. c. Check U3 for open. Note: A short within U2, U6, U8, U9 or U14 can cause low +12V or -12V bias voltages.
2	Check -5V reference.	a. Normal (-5V ± 2%) b. Voltage high c. Voltage low	a. Proceed to step (3). b. Check U5 for open. c. Check U5 and Q2 for short.
3	Check -12V bias.	a. Normal (-12V ± 5%) b. High voltage c. Low voltage	a. Proceed to +20V supply troubleshooting, Table A-5. b. Check U1 for short. c. Check U1 for open.

Table A-5. +20V Supply Troubleshooting

SYMPTOM	STEP - ACTION	RESPONSE	PROBABLE CAUSE
High output voltage (higher than rating)	1. Attempt to turn off Q9 by shorting emitter-to-base of Q9.	a. Output voltage remains high. b. Output voltage becomes near zero volt.	a. Q9 shorted. b. Remove short and proceed to step (2).
	2. Measure voltage at base of Q5.	a. Measured voltage is less than 0 volt. b. Measured voltage is more than 0 volt.	a. Check for open CR13 or R36 and check for defective U6A. b. Check for defective Q5.

Table A-5. +20V Supply Troubleshooting (Cont'd)

Low output voltage (lower than rating)	1. Measure voltage at the base of Q5.	a. Measured voltage is less than 0 volt. b. Measured voltage is more than 0 volt.	a. Check for open Q9, Q6, R26, or CR5. b. Proceed to step (2).
	2. Eliminate current limit circuit as a source of trouble by disconnecting anode of CR11.	a. Output voltage increases. b. Output voltage remains low.	a. Check for U6B defective. b. Reconnect lead and proceed to step (3).
	3. Measure voltage at pin 3 of U6.	a. Measured voltage is near -0.7V. b. Measured voltage is zero volt. c. Measured voltage is near +0.7V.	a. Check for defective U6A. b. Check for CR14 or CR15 shorted. c. Check for open R39, shorted R36, or leaky or shorted C7.

Table A-6. -20V Supply Troubleshooting

SYMPTOM	STEP - ACTION	RESPONSE	PROBABLE CAUSE
The +20V supply must operate properly before troubleshooting the -20V supply.			
High output voltage (more than 1% greater than +20V supply in fixed tracking ratio mode)	1. Attempt to turn off Q8 by shorting emitter-to-base of Q8.	a. Output voltage remains high. b. Output voltage becomes near zero volt.	a. Q8 shorted. b. Remove short and proceed to step (2).
	2. Measure voltage at base of Q7.	a. Measured voltage is more than 0 volt. b. Measured voltage is less than 0 volt.	a. Check for open CR20 or R14 and check for defective U8A. b. Check for defective Q7.
Low output voltage (more than 1% lower than +20V supply in fixed tracking ratio mode)	1. Measure voltage at the base of Q7.	a. Measured voltage is more than 0 volt. b. Measured voltage is less than 0 volt.	a. Check for open Q8, Q3, and R24. b. Proceed to step (2).
	2. Eliminate current limit circuit as a source of trouble by disconnecting anode of CR18.	a. Output voltage increases. b. Output voltage remains low.	a. Check for U8B defective. b. Reconnect lead and proceed to step (3).
	3. Measure voltage at pin 3 of U8.	a. Measured voltage is near +0.7V. b. Measured voltage is zero volt. c. Measured voltage is near -0.7V.	a. Check for defective U8A. b. Check for shorted CR21 and CR22. c. Check for open R15, shorted R41, or leaky or shorted C6.

Table A-7. +6V Supply Troubleshooting

SYMPTOM	STEP - ACTION	RESPONSE	PROBABLE CAUSE
The +20V supply must operate properly before troubleshooting the -20V supply.			
High output voltage (higher than rating)	<ol style="list-style-type: none"> 1. Attempt to turn off Q1 by shorting emitter-to-base of Q1. 2. Measure voltage at base of Q4. 	<ol style="list-style-type: none"> a. Output voltage remains high. b. Output voltage becomes near zero volt. a. Measured voltage is more than -0.6V. b. Measured voltage is less than -0.6V. 	<ol style="list-style-type: none"> a. Q1 shorted. b. Remove short and proceed to step 2. a. Check for defective Q4. b. Check for open CR6, R11 and check for defective U2A.
Low output voltage (lower than rating)	<ol style="list-style-type: none"> 1. Measure voltage at the base of Q4. 2. Eliminate current limit circuit as a source of trouble by disconnecting anode of CR7. 3. Measure voltage at pin 3 of U2. 	<ol style="list-style-type: none"> a. Measured voltage is less than -0.6V. b. Measured voltage is more than -0.6V. a. Output voltage increases. b. Output voltage remains low. a. Measured voltage is near -0.7V. b. Measured voltage is zero volt. c. Measured voltage is near +0.7V. 	<ol style="list-style-type: none"> a. Check for open Q1, Q6, R25, or CR5. b. Proceed to step (2). a. Check for U2B defective. b. Reconnect lead and proceed to step (3). a. Check for defective U2A. b. Check for CR9 and CR10 shorted. c. Check for open R29, shorted R11, or leaky or shorted C5.

Table A-8. +20V Preregulator/Control Circuit Troubleshooting

STEP	ACTION	RESPONSE	PROBABLE CAUSE
Set output voltage at 12V+0.5V.			
1	Measure pin 1 of U14.	<ol style="list-style-type: none"> a. Measured voltage is -12V. b. Measured voltage is near +4.3V. 	<ol style="list-style-type: none"> a. Proceed to step (2). b. Check for defective U14A.
2	Measure pin 1 of U13.	<ol style="list-style-type: none"> a. Measured voltage is near +1V b. Measured voltage is near 0V. 	<ol style="list-style-type: none"> a. Check for defective U13 or CR12. b. Check for open Q11 or R81.
3	Measure pin 1 of U11.	<ol style="list-style-type: none"> a. Measured voltage is near +1V b. Measured voltage is near 0V. 	<ol style="list-style-type: none"> a. Check for defective U11. b. Check for open Q11 or R82.

Table A-9. -20V Preregulator/Control Circuit Troubleshooting

STEP	ACTION	RESPONSE	PROBABLE CAUSE
Set output voltage at -12V-0.5V.			
1	Measure pin 7 of U14.	<ol style="list-style-type: none"> a. Measured voltage is -12V. b. Measured voltage is near +4.3V. 	<ol style="list-style-type: none"> a. Proceed to step (2). b. Check for defective U14B.
2	Measure pin 1 of U12.	<ol style="list-style-type: none"> a. Measured voltage is near +1V b. Measured voltage is near +4.3V. 	<ol style="list-style-type: none"> a. Check for defective U12 or CR31. b. Check for open Q10 or R56
3	Measure pin 1 of U10.	<ol style="list-style-type: none"> a. Measured voltage is near +1V b. Measured voltage is near 0V. 	<ol style="list-style-type: none"> a. Check for defective U10 or CR27. b. Check for open Q10 or R55.

ADJUSTMENT AND CALIBRATION

Current Limit Adjustment

+6V Supply. To adjust the current limit circuit in the +6V supply, proceed as follows:

- a. Check the setting of the current limit by performing steps (p) and (q) on page A-5. (Be sure to set the output voltage to 6 volts.) If reducing the load resistance permits the current to exceed 2.9 A, stop, turn R6 slightly clockwise, and repeat the test. If, instead, the current begins to fall before it reaches 2.6 A, turn R6 slightly counter clockwise and repeat the test.
- b. Recheck the setting and readjust R6 until the test shows that the current limit circuit begins to reduce the current when a decreasing load resistance increases it to 2.75 A \pm 5%.

Meter Calibration

Panel Voltmeters. To calibrate voltmeter, proceed as follows:

- a. Connect DVM across +20V output terminal and COM terminal of the supply.
- b. Turn on the supply.

- c. Set the output voltage below 18V (ex, 15V), and adjust R11 on the display board until front panel VOLTS display reads exactly DVM value. Next, set the output voltage above 20V (ex, 21V) and adjust R17 on the display board until front panel VOLTS display reads exactly DVM value.

NOTE

No other voltage output needs to be calibrated after calibrating the voltmeter of +20V output.

Panel Ammeter. To calibrate ammeter for +20V output and -20V output, proceed as follows:

- a. Connect R_S between +20V output terminal and COM terminal and connect DVM across R_S .
- b. Push +20V meter switch and turn \pm 20V VOLTAGE control fully clockwise.
- c. Turn on the supply and adjust R5 on the display board until front panel AMPS display reads exactly DVM value divided by R_S .
- d. To calibrate the ammeter for +6V output, select +6V meter switch and turn +6V VOLTAGE control fully clockwise.
- e. Adjust R61 on the main board until front panel AMPS display reads exactly DVM value divided by R_S .

REPLACEABLE PARTS

INTRODUCTION

This section contains information for ordering replacement parts. Table A-12 lists parts by reference designators and provides the following information:

- a. Reference designators. Refer to Table A-10.
- b. Agilent Technologies Part Number.
- c. Total quantity used in that assembly.
- d. Description.
- e. Manufacturer's supply code number. Refer to Table A-11 for manufacturer's name and address.
- f. Manufacturer's part number or type.

Mechanical and miscellaneous parts are not identified by reference designator.

ORDERING INFORMATION

To order a replacement part, address order or inquiry to your local Agilent Technologies sales office (see lists at rear of this manual for addresses). Specify the following information for each part: Model, complete serial number of the power supply; Agilent Technologies part number; circuit reference designator; and description.

Table A-10. Reference Designators

A	Assembly
C	Capacitor
CR	Diode
DS	Signaling Device(light)
F	Fuse
G	Pulse Generator
J	Jack
L	Inductor
Q	Transistor
R	Resistor
S	Switch
T	Transformer
TP	Test Point
VR	Zener Diode
U	Integrated Circuit
W	Wire

Table A-11. Code List of Manufacturers

CODE	MANUFACTURER	ADDRESS
01295	Texas Instruments Inc, Semicon Comp Div.	Dallas, TX
14936	General Instruments Corp, Semicon Prod	Hicksville, N.Y.
27014	National Semiconductor Corporation	Santa Clara, CA
28480	Agilent Technologies	Palo Alto, CA
04713	Motorola Semiconductor Products	Phoenix, AZ
32997	Bourns Inc.	Riverside, CA

Table A-12. Replaceable Parts List

REFERENCE DESIGNATION	PART NUMBER	Q'TY	DESCRIPTION	MFR. CODE	MFR. P/N
	8120-8767	1	POWER CORD FOR STD, OE9	28480	
	8120-8768	1	POWER CORD FOR OE3	28480	
	E3630-60001		MAIN BODY ASSY-STD, OE9	28480	
	E3630-60005		MAIN BODY ASSY-OE3	28480	
	0371-3806	1	KEY CAP - WHT	28480	
	E3630-40007	3	KEY CAP GRAY	28480	
	5041-8626	1	REAR CAP	28480	
	5041-8627	1	TOP COVER	28480	
	5041-8628	1	BOTTOM COVER	28480	
	0340-0140	1	INSULATOR-TRANSISTOR MICA (TO-3)	28480	
	0340-0168	4	INSULATOR BUSHING	28480	
	E3630-60007	1	HEATSINK ASSY	28480	
	E3630-80003	1	INSULATOR-MULTIPLES (TO-218)	28480	
	0340-1162	2	INSULATOR-FLG BSHG RYTON R4	28480	
	E3630-00001	1	HEATSINK BRACKET	28480	
	E3630-60006	1	HEAT SINK ASSY-STD, OE9 (115V, 100V)	28480	
	E3630-60003	1	HEAT SINK ASSY-OE3 (230V)	28480	
	2110-0918	1	FUSE 1.6A 250V NTD (STD, OE9)	28480	
	2110-0599	1	FUSE 1A 250V NTD (OE3)	28480	
	1252-4214	1	AC INLET SOCKET	28480	
	5022-1631	1	HEATSINK-DIECASTING	28480	
	E3630-60004		FRONT PANEL ASSY	28480	
	E3630-60009		DISPLAY BOARD ASSY	28480	
	E3630-40004	1	FRONT FRAME	28480	
R11,36	2100-4299	2	RES-VAR 10K 5% 1-TURN WW	32997	3590S-A17-103
R41	2100-4319	1	RES-VAR 10K 5% WITH SWITCH	32997	99A2DC28-H15/R50
	E3631-20011	3	BINDING POST RED	28480	
	1410-1066	1	BUSHING-THREADED	28480	
	1510-0088	1	BODY-BINDING POST	28480	
	E3631-20012	1	BINDING POST BLACK	28480	
	1410-1066	1	BUSHING-THREADED	28480	
	1510-0088	1	BODY-BINDING POST	28480	
	E3631-20013	1	BINDING POST GREEN	28480	
	1410-1066	1	BUSHING-THREADED	28480	
	1510-0088	1	BODY-BINDING POST	28480	
	2950-0144	5	NUT- BINDING POST	28480	
	E3630-40005	2	KNOB	28480	
	E3630-40006	1	KNOB POINTER	28480	
	E3630-60002		MAIN BOARD ASSY	28480	
	E3630-20001	1	PCB MAIN FOR E3630A	28480	
C1	0180-4086	1	CAP-FXD 1000UF 25V +-20% AL-ELECTLT	28480	
C2	0180-4360	1	CAP-FXD 1000UF 20% 25V AL-ELECT	28480	
C3,4,15	0180-4085	3	CAP-FXD 330UF 35V +-20% AL-ELECTLT	28480	
C5,6,7	0180-3769	3	CAP-TA 6.8UF 35V	28480	
C8,17,22	0160-7449	3	CAP-FXD 0.33UF +-10% 50V POLYP-MET	28480	

Table A-12. Replaceable Parts List (Cont'd)

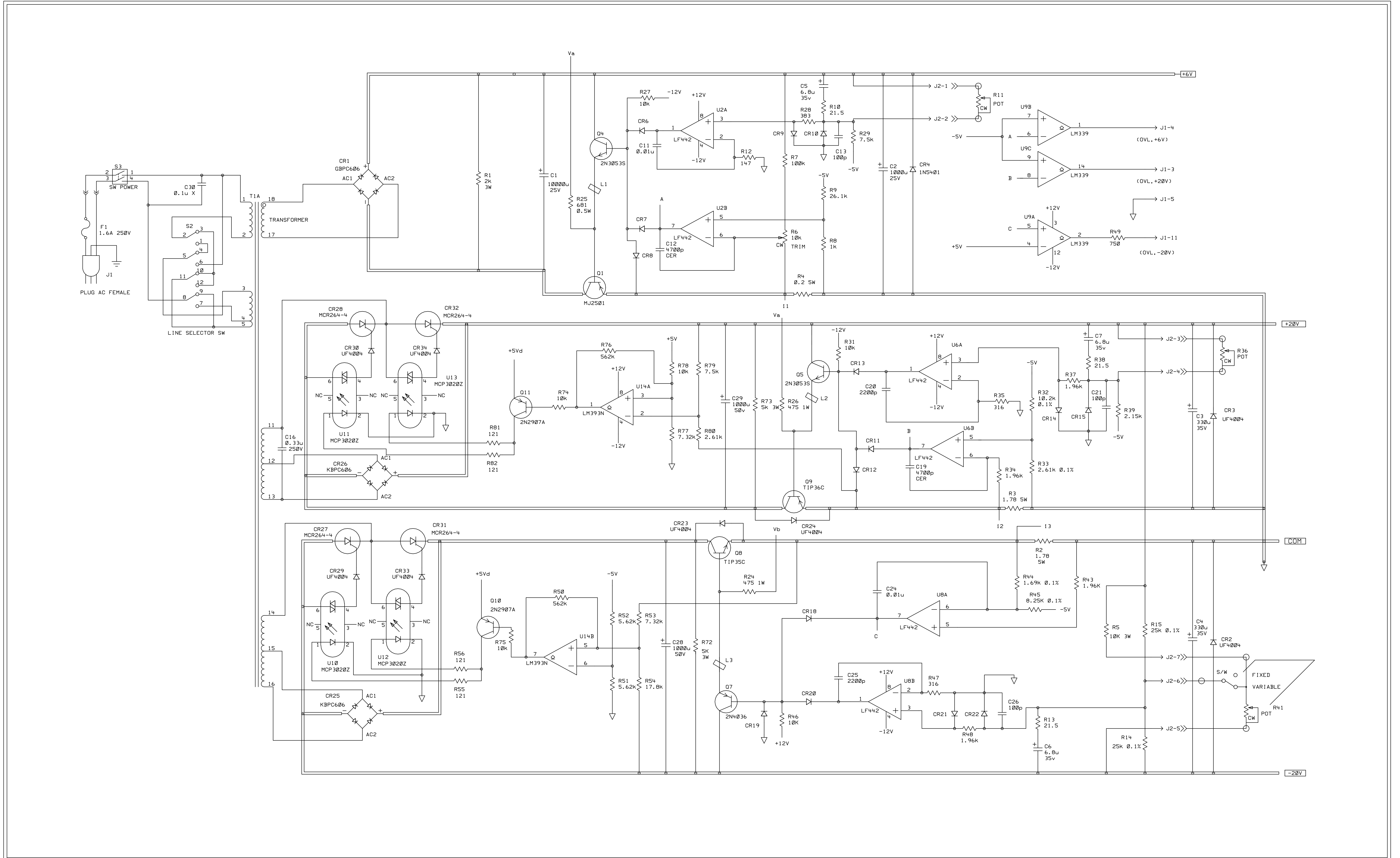
REFERENCE DESIGNATION	PART NUMBER	Q'TY	DESCRIPTION	MFR. CODE	MFR. P/N
C9,18,23	0180-3970	3	CAP-FXD 1UF +-20% 50V AL-ELECTLT	28480	
C10	0160-4822	1	CAP-FXD 1000PF +-10% 50V CER X7R	28480	
C11,24	0160-4832	2	CAP-FXD 0.01UF 10% 100V CER	28480	
C12,19	0160-4298	2	CAP-FXD 4700PF 200V CER	28480	
C13,21,26	0160-4801	3	CAP-FXD 100PF 100V CER 20%	28480	
C14	0180-4355	1	CAP-FXD 470UF 50V +-20% AL-ELECTLT	28480	
C16	0160-6225	1	CAP-FXD 0.33UF +-10% 250V POLYP-MET	28480	
C20,25	0160-7548	2	CAP-FXD 2200PF 10% 50V CER	28480	
C27	0180-3990	1	CAP-FXD 4700UF 20% 25V AL-ELECT	28480	
C28,29	0180-3947	2	CAP-FXD 1000UF 50V +-20% AL-ELECTLT	28480	
C30	0160-4065	1	CAP-FXD .1UF +-10%	28480	
R1	0811-1806	1	RESISTOR 2K +-5% 3W PWI TC=0+-20	28480	
R2,3	0811-3861	2	RESISTOR 1.78 +-1% 5W PWN TC=0+-90	28480	
R4	0811-3839	1	RESISTOR 0.2 +-1% 5W PWN TC=0+-90	28480	
R5	0811-1816	1	RESISTOR 10K +-5% 3W PWI TC=0+-20	28480	
R6	2100-4305	1	RESISTOR-TRMR 10K 10% TKF TOP-ADJ 25-TRN	32997	3296Y-1-103
R7	0757-0465	1	RESISTOR 100K +-1% .125W TF TC=0+-100	28480	
R8,23	0757-0274	2	RESISTOR 1.21K +-1% .125W TF TC=0+-100	28480	
R9	0698-8123	1	RESISTOR 26.1K +-1% .125W TF TC=+-100	28480	
R10,13,38	0698-3430	3	RESISTOR 21.5 +-1% .125W TF TC=0+-100	28480	
R12	0698-3438	1	RESISTOR 147 1% .125W TF TC=0+-100	28480	
R14,15	0698-6627	2	RESISTOR 25K 0.1% .125W TF TC=0+-100	28480	
R16	0757-0280	1	RESISTOR 1K +-1% .125W TF TC=0+-100	28480	
R17	0698-3132	1	RESISTOR 261 +-1% .125W TF TC=0+-100	28480	
R18,22	0698-3156	2	RESISTOR 14.7K +-1% .125W TF TC=0+-100	28480	
R19,21,27,31,46,74,75,78	0757-0442	8	RESISTOR 10K +-1% .125W TF TC=0+-100	28480	
R20	0698-3153	1	RESISTOR 3.83K +-1% .125W TF TC=0+-100	28480	
R24,26	0757-0813	2	RESISTOR 475 +-1% .5W TF TC=0+-100	28480	
R25	0757-0729	1	RESISTOR 681 +-1% .5W TF TC=0+-100	28480	
R28	0699-2888	1	RESISTOR 383 +-1% .125W TF TC=0+-100	28480	
R29,79	0757-0440	2	RESISTOR 7.5K +-1% .125W TF TC=0+-100	28480	
R30,51,52	0757-0200	3	RESISTOR 5.62K +-1% .125W TF TC=0+-100	28480	
R32	0699-0124	1	RESISTOR 10.2K +-0.1% .125W TF TC=0+-100	28480	
R33	0699-2624	1	RESISTOR 2.61K 0.1% .125W TF TC=0+-100	28480	
R34,37,43,48	0698-0083	4	RESISTOR 1.96K +-1% .125W TF TC=0+-100	28480	
R35,47	0698-3444	2	RESISTOR 316 +-1% .125W TF TC=0+-100	28480	
R39	0698-0084	1	RESISTOR 2.15K +-1% .125W TC=0+-100	28480	
R40	0699-2715	1	RESISTOR-FUSE 1OHM +-5%; 0.5W @70	28480	
R44,59,63	0698-8629	3	RESISTOR 1.69K 0.1% .125W TF TC=0+-100	28480	
R45	0698-8061	1	RESISTOR 8.25K +-0.1% .125W TF TC=0+-100	28480	
R49	0757-0420	1	RESISTOR 750 +-1% .125W TF TC=0+-100	28480	
R50,76	0698-8824	2	RESISTOR 562K +-1% .125W TF TC=0+-100	28480	
R53,77	0698-3518	2	RESISTOR 7.32K +-1% .125W TF TC=0+-100	28480	

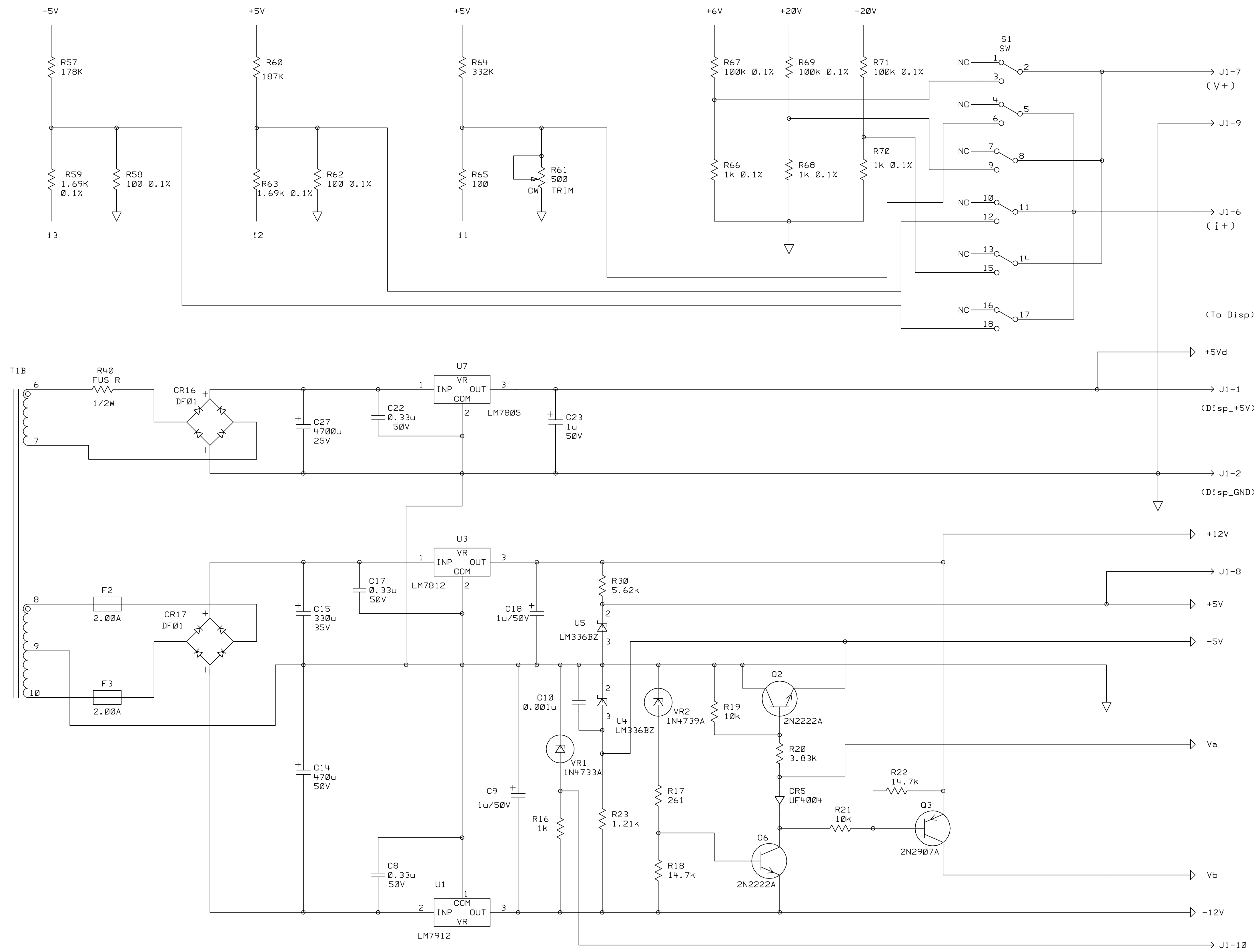
Table A-12. Replaceable Parts List (Cont'd)

REFERENCE DESIGNATION	PART NUMBER	Q'TY	DESCRIPTION	MFR. CODE	MFR. P/N
R54	0698-3136	1	RESISTOR 17.8K +-1% .125W TF TC=0+-100	28480	
R55,56,81,82	0757-0403	4	RESISTOR 121 +-1% .125W TF TC=0+-100	28480	
R57	0698-3243	1	RESISTOR 178K +-1% .125W TC=0+-100	28480	
R58,62	0698-6323	2	RESISTOR 100 +-0.1% .125W TF TC=0+-100	28480	
R60	0698-4525	1	RESISTOR 187K 1% .125W TF TC=0+-100	28480	
R61	2100-3531	1	RESISTOR-TRMR 250 10% TKF TOP-ADJ 1-TRN	32997	3386P-Y46-251
R64	0757-0477	1	RESISTOR 332K 1% .125W TF TC=0+-100	28480	
R65	0757-0401	1	RESISTOR 100 1% .125W TF TC=0+-100	28480	
R66,68,70	0698-6362	3	RESISTOR 1K +-0.1% .125W TF TC=0+-100	28480	
R67,69,71	0698-6358	3	RESISTOR 100K +-0.1% .125W TF TC=0+-100	28480	
R72,73	0811-2188	2	RESISTOR 5K +-5% 3W PWI TC=0+-20	28480	
R80	0699-0282	1	RESISTOR 2.61K +-1% .125W TF TC=0+-100	28480	
F2,3	2110-0684	2	RESISTOR-FUSE 1OHM +-5%	28480	
U1	1826-0221	1	IC V RGLTR-FXD-NEG -11.5/-12.5V TO-220	04713	MC7912CT
U2,6,8	1826-1405	3	IC OP AMP GP DUAL 8 PIN DIP-P	27014	LF442ACN
U3	1826-0147	1	IC V RGLTR-FXD-POS 11.5/12.5V TO-220 PKG	04713	MC7812CT
U4,5	1826-1297	2	IC V RGLTR-V-REF-FXD 4.8/5.2V TO-92 PKG	27014	LM336BZ-5.0
U7	1826-0144	1	IC V RGLTR-FXD-POS 4.8/5.2V TO-220 PKG	04713	MC7805CT
U9	1826-0138	1	IC COMPARATOR GP QUAD 14 PIN DIP-P	27014	LM339
U10,11,12,13	1990-1659	4	OPTO-ISOLATOR LED-TRIAC IF= 100MA-MAX	14936	MCP3020Z
U14	1826-0412	1	IC COMPARATOR PRCN DUAL 8 PIN DIP-P	27014	LM393N
CR1	1906-0255	1	DIODE-FW BRDG 600V 6A	14936	GBPC606
CR2,3,5,23,24,29,30,33,34	1901-1149	9	DIODE-PWR RECT 400V 1A 50NS DO-41	14936	UF4004
CR4	1901-1081	1	DIODE-PWR RECT 100V 3A	04713	1N5401
CR6,7,8,9,10,11,12,13,14,15,18,19,20,21,22	1901-0033	15	DIODE-GEN PRP 180V .2A	28480	
CR16,17,25,26	1906-0284	4	DIODE-FW BRDG 100V 1A	14936	DF01
CR27,28,31,32	1884-0332	4	THRYSTER-SCR TO-220AB VRRM = 200V	04713	MCR264-4
VR1	1902-0579	1	DIODE-ZNR 5.1V 5% PD = 1W	04713	1N4733APL
VR2	1902-0651	1	DIODE-ZNR 9.1V 5% PD = 1W	04713	1N4739APL
Q1	1853-0387	1	TRANSISTOR PNP SI DARL TO-3 PD = 150W	04713	MJ2501
Q2,6	1854-0477	2	TRANSISTOR NPN 2N2222A SI TO-18 PD = 500-MW	04713	2N2222A
Q3,10,11	1853-0281	3	TRANSISTOR PNP 2N2907A SI TO-18 PD = 400-MW	04713	2N2907A
Q4,5	1854-0039	2	TRANSISTOR NPN 2N3053S SI TO-39 PD = 1W	04713	2N3053S
Q7	1853-0590	1	TRANSISTOR PNP 2N4036 SI TO-5 PD = 1W	04713	2N4036
Q8	1854-1233	1	TRANSISTOR NPN SI TO-218AC PD = 125W	04713	TIP35C
Q9	1853-0709	1	TRANSISTOR PNP SI TO-218AC PD = 125W	04713	TIP36C
L1,2,3	9170-0894	3	CORE-SHIELDING BEAD	28480	
T1	9100-5248	1	XFMR-PWR 100/115/230V IEC 348 & 1010	28480	
			MISCELLANEOUS		

Table A-12. Replaceable Parts List (Cont'd)

REFERENCE DESIGNATION	PART NUMBER	Q'TY	DESCRIPTION	MFR. CODE	MFR. P/N
J1	1252-4159	1	CONNECTOR-POST TYPE 2.5-PIN-SPCG 11-CONT	28480	
J2	1251-4381	1	CONNECTOR-POST TYPE 2.5-PIN-SPCG 7-CONT	28480	
S1	3101-1730	1	SWITCH-PB MOM .5A 250VAC(3PCS)	28480	
S2	3101-2985	1	SWITCH-PB DPSTALTNG 4A 250VAC	28480	
S3	3101-1914	1	SWITCH-SL 2-DPDT STD 1.5A 250VAC PC	28480	







CERTIFICATION

Agilent Technologies certifies that this product met its published specifications at time of shipment from the factory. Agilent Technologies further certifies that its calibration measurements are traceable to the United States National Institute of Standards and Technology (formerly National Bureau of Standards), to the extent allowed by that organization's calibration facility, and to the calibration facilities of other International Standards Organization members.

WARRANTY

This Agilent Technologies hardware product is warranted against defects in material and workmanship for a period of three years from date of delivery. Agilent software and firmware products, which are designated by Agilent for use with a hardware product and when properly installed on that hardware product, are warranted not to fail to execute their programming instructions due to defects in material and workmanship for a period of 90 days from date of delivery. During the warranty period, either Agilent or Agilent Technologies will, at its option, either repair or replace products which prove to be defective. Agilent does not warrant that operation the software, firmware, or hardware shall be uninterrupted or error free.

For warranty service, with the exception of warranty options, this product must be returned to a service facility designated by Agilent. Return to Englewood Colorado Service Center for repair in United States(1-800-258-5165). Customer shall prepay shipping charges by (and shall pay all duty and taxes) for products returned to Agilent for warranty service. Except for the products returned to Customer from another country, Agilent shall pay for return of products to Customer.

Warranty services outside the country of initial purchase are included in Agilent's product price, only if Customer pays Agilent international prices (defined as destination local currency price, or U.S. or Geneva Export price).

If Agilent is unable, within a reasonable time, to repair or replace any product to condition as warranted, the Customer shall be entitled to a refund of the purchase price upon return of the product to Agilent.

The warranty period begins on the date of delivery or on the date of installation if installed by Agilent.

LIMITATION OF WARRANTY

The foregoing warranty shall not apply to defects resulting from improper or inadequate maintenance by the Customer, Customer-supplied software or interfacing, unauthorized modification or misuse, operation outside of the environmental specifications for the product, or improper site preparation and maintenance. **TO THE EXTENT ALLOWED BY LOCAL LAW, NO OTHER WARRANTY IS EXPRESSED OR IMPLIED. AND AGILENT SPECIFICALLY DISCLAIMS THE IMPLIED WARRANTIES OF MERCHANTABILITY AND FITNESS FOR A PARTICULAR PURPOSE.**

For consumer transactions in Australia and New Zealand:

The warranty terms contained in this statement, except to the extent lawfully permitted, do not exclude, restrict or modify and are in addition to the mandatory rights applicable to the sale of this product to you.

EXCLUSIVE REMEDIES

TO THE EXTENT ALLOWED BY LOCAL LAW, THE REMEDIES PROVIDED HEREIN ARE THE CUSTOMER'S SOLE AND EXCLUSIVE REMEDIES. AGILENT SHALL NOT BE LIABLE FOR ANY DIRECT, INDIRECT, SPECIAL, INCIDENTAL, OR CONSEQUENTIAL DAMAGES, WHETHER BASED ON CONTRACT, TORT, OR ANY OTHER LEGAL THEORY.

ASSISTANCE

The above statements apply only to the standard product warranty. Warranty options, extended support contacts, product maintenance agreements and customer assistance agreements are also available. Contact your nearest Agilent Technologies Sales and Service office for further information on Agilent's full line of Support Programs.

DECLARATION OF CONFORMITY

according to ISO/IEC Guide 22 and EN 45014

Manufacturer's Name: Agilent Technologies, Inc.

Manufacturer's Address: 345-15, Kasan-dong, Kumchon-ku,
Seoul 153-023 Korea

declares, that the products

Product Name: DC Power Supply

Model Numbers: E3630A

Product Options: All Options

conforms to the following Product Specifications:

Safety: IEC 1010-1:1990+A1:1992 / EN 61010-1:1993

EMC: CISPR 11:1990 / EN 55011:1991 - Group 1 Class A¹⁾
EN 50082-1:1992

IEC 801-2 : 1991 - 4KV CD, 8KV AD

IEC 801-3 : 1984 - 3V/m

IEC 801-4 : 1988 - 1kV Power Lines
0.5kV Signal Lines

Supplementary Information: The product herewith comply with the requirements of the Low Voltage Directive 73/23/EEC and the EMC Directive 89/336/EEC and carry the "CE" mark accordingly.

¹⁾The products was tested in a typical configuration with Agilent Technologies Test System.

Seoul, Korea November 1, 1999



Quality Manager

European Contact for regulatory topics only: Hewlett-Packard GmbH, HQ-TRE, Herrenberger Strabe 110-140,
D-71034 Böbligen (FAX: +49-7031-143143).