

---

# User's Guide

---

## Agilent 83481A Optical/Electrical Plug-In Module

Agilent part number: 83481-90021  
Printed in USA April 2000

**Notice.** The information contained in this document is subject to change without notice. Agilent Technologies makes no warranty of any kind with regard to this material, including but not limited to, the implied warranties of merchantability and fitness for a particular purpose. Agilent Technologies shall not be liable for errors contained herein or for incidental or consequential damages in connection with the furnishing, performance, or use of this material.

**Restricted Rights Legend.** Use, duplication, or disclosure by the U.S. Government is subject to restrictions as set forth in subparagraph (c) (1) (ii) of the Rights in Technical Data and Computer Software clause at DFARS 252.227-7013 for DOD agencies, and subparagraphs (c) (1) and (c) (2) of the Commercial Computer Software Restricted Rights clause at FAR 52.227-19 for other agencies.

©Copyright Agilent Technologies 2000  
All Rights Reserved. Reproduction, adaptation, or translation without prior written permission is prohibited, except as allowed under the copyright laws.

---

## Certification

Agilent Technologies certifies that this product met its published specifications at the time of shipment from the factory. Agilent Technologies further certifies that its calibration measurements are traceable to the United States National Institute of Standards and Technology, to the extent allowed by the Institute's calibration facility, and to the calibration facilities of other International Standards Organization members.

---

# Warranty

This Agilent Technologies instrument product is warranted against defects in material and workmanship for a period of one year from date of shipment. During the warranty period, Agilent Technologies will, at its option, either repair or replace products which prove to be defective.

For warranty service or repair, this product must be returned to a service facility designated by Agilent Technologies. Buyer shall prepay shipping charges to Agilent Technologies and Agilent Technologies shall pay shipping charges to return the product to Buyer. However, Buyer shall pay all shipping charges, duties, and taxes for products returned to Agilent Technologies from another country.

Agilent Technologies warrants that its software and firmware designated by Agilent Technologies for use with an instrument will execute its programming instructions when properly installed on that instrument. Agilent Technologies does not warrant that the operation of the instrument, or software, or firmware will be uninterrupted or error-free.

## LIMITATION OF WARRANTY

The foregoing warranty shall not apply to defects resulting from improper or inadequate maintenance by Buyer, Buyer-supplied software or interfacing, unauthorized modification or misuse, operation outside of the environmental specifications for the product, or improper site preparation or maintenance.

NO OTHER WARRANTY IS EXPRESSED OR IMPLIED. AGILENT TECHNOLOGIES SPECIFICALLY DISCLAIMS THE IMPLIED WARRANTIES OF MERCHANTABILITY AND FITNESS FOR A PARTICULAR PURPOSE.

## EXCLUSIVE REMEDIES

THE REMEDIES PROVIDED HEREIN ARE BUYER'S SOLE AND EXCLUSIVE REMEDIES. AGILENT TECHNOLOGIES SHALL NOT BE LIABLE FOR ANY DIRECT, INDIRECT, SPECIAL, INCIDENTAL, OR CONSEQUENTIAL DAMAGES, WHETHER BASED ON CONTRACT, TORT, OR ANY OTHER LEGAL THEORY.

---

## Assistance

*Product maintenance agreements and other customer assistance agreements are available for Agilent Technologies products.*

Agilent Technologies has sales and service offices located around the world to provide complete support for Agilent Technologies products. To obtain servicing information or to order replacement parts, contact the nearest Agilent Technologies Sales and Service Office. In any correspondence or telephone conversation, refer to the instrument by its model number, serial number, and option designation.

Before returning an instrument for service, call the Agilent Technologies Instrument Support Center at (800) 403-0801, visit the Test and Measurement Web Sites by Country page at <http://www.tm.agilent.com/tmo/country/English/index.html>, or call one of the numbers listed below.

### Agilent Technologies Service Numbers

Austria	01/25125-7171
Belgium	32-2-778.37.71
Brazil	11  7297-8600
China	86 10 6261 3819
Denmark	45 99 12 88
Finland	358-10-855-2360
France	01.69.82.66.66
Germany	0180/524-6330
India	080-34 35788
Italy	+ 39 02 9212 2701
Ireland	01 615 8222
Japan	81 -426-56-7832
Korea	82/2-3770-0419
Mexico	5  258-4826
Netherlands	020-547 6463
Norway	22 73 57 59
Russia	+ 7-095-797-3930
Spain	34/91  631 1213
Sweden	08-5064 8700
Switzerland	01  735 7200
United Kingdom	01 344 366666
United States and Canada	800  403-0801

---

## Safety Symbols

The following safety symbols are used throughout this manual. Familiarize yourself with each of the symbols and its meaning before operating this instrument.

---

### CAUTION

---

The *caution* sign denotes a hazard to the instrument. It calls attention to a procedure which, if not correctly performed or adhered to, could result in damage to or destruction of the instrument. Do not proceed beyond a *caution* sign until the indicated conditions are fully understood and met.

---

### WARNING

---

The *warning* sign denotes a life-threatening hazard. It calls attention to a procedure which, if not correctly performed or adhered to, could result in injury or loss of life. Do not proceed beyond a *warning* sign until the indicated conditions are fully understood and met.

---

### Instruction Manual



The **instruction manual** symbol. The product is marked with this symbol when it is necessary for the user to refer to the instructions in the manual.

---

---

## General Safety Considerations

---

**WARNING**

*Before this instrument is switched on*, make sure it has been properly grounded through the protective conductor of the ac power cable to a socket outlet provided with protective earth contact.

Any interruption of the protective (grounding) conductor, inside or outside the instrument, or disconnection of the protective earth terminal can result in personal injury.

---

**WARNING**

There are many points in the instrument which can, if contacted, cause personal injury. Be extremely careful.

Any adjustments or service procedures that require operation of the instrument with protective covers removed should be performed only by trained service personnel.

---

**WARNING**

If this instrument is not used as specified, the protection provided by the equipment could be impaired. This instrument must be used in a normal condition (in which all means for protection are intact) only.

---

**CAUTION**

*Before this instrument is switched on*, make sure its primary power circuitry has been adapted to the voltage of the ac power source.

Failure to set the ac power input to the correct voltage could cause damage to the instrument when the ac power cable is plugged in.

---

**CAUTION**

Electrostatic discharge (ESD) on or near input connectors can damage circuits inside the instrument. Repair of damage due to misuse is *not* covered under warranty.

Before connecting any cable to the electrical input, momentarily short the center and outer conductors of the cable together. Personnel should be properly grounded, and should touch the frame of the instrument before touching any connector.

---



---

# Contents

<b>1. The Instrument at a Glance</b>	
Ordering information . . . . .	1-4
Menu and Key Conventions . . . . .	1-5
The Agilent 83481A Optical/Electrical Plug-In Module . . . . .	1-7
The purpose of the plug-in module . . . . .	1-8
Front panel of the plug-in module . . . . .	1-8
Getting the best performance . . . . .	1-11
Installing the plug-in module . . . . .	1-11
Firmware requirements . . . . .	1-11
Trigger . . . . .	1-12
Lightwave Connector Care . . . . .	1-14
Introduction . . . . .	1-14
Cleaning and handling . . . . .	1-16
Cleaning non-lensed lightwave connectors . . . . .	1-17
Cleaning lightwave adapters . . . . .	1-18
Cleaning lensed connections . . . . .	1-18
Storage . . . . .	1-19
Making connections . . . . .	1-20
Summary . . . . .	1-21
Inspection . . . . .	1-21
Optical performance testing . . . . .	1-22
<b>2. Channel Setup Menu</b>	
Displaying the Channel Setup Menus . . . . .	2-5
Display . . . . .	2-5
Scale . . . . .	2-6
Offset . . . . .	2-7
Bandwidth/Wavelength. . . . .	2-8
Channel autoscale . . . . .	2-9
External scale . . . . .	2-9
Calibrate . . . . .	2-11

<b>3. Calibration Overview</b>	
Factory Calibrations . . . . .	3-4
Mainframe Calibration . . . . .	3-4
O/E Factory Wavelength Calibration . . . . .	3-6
User Calibrations—Optical and Electrical . . . . .	3-7
O/E User-Wavelength Calibration . . . . .	3-9
Plug-in Module Vertical Calibration . . . . .	3-11
Offset Zero Calibration . . . . .	3-12
Dark Calibration . . . . .	3-14
Channel Skew Calibration . . . . .	3-15
Probe Calibration . . . . .	3-16
External Scale . . . . .	3-18
Complete Calibration Summary . . . . .	3-20
<b>4. Specifications and Characteristics</b>	
Specifications . . . . .	4-3
Vertical specifications . . . . .	4-4
Environmental specifications . . . . .	4-8
Power requirements . . . . .	4-8
Weight . . . . .	4-8
Characteristics . . . . .	4-9
Trigger input characteristics . . . . .	4-9
Declaration of Conformity . . . . .	4-10
<b>5. In Case of Difficulty</b>	
If You Have Problems . . . . .	5-3
If the mainframe does not operate . . . . .	5-3
If the plug-in does not operate . . . . .	5-4
Error Messages . . . . .	5-6

**Index**

---

## Figures

1-1. Front panel of the plug-in module. . . . .	1-9
1-2. Block diagram of the plug-in module. . . . .	1-10
2-1. Optical Channel Setup menu. . . . .	2-3
2-2. Electrical Channel Setup menu. . . . .	2-4
2-3. A typical Cal Status display. . . . .	2-13
3-1. Current Frame $\Delta$ Temp condition . . . . .	3-5
3-2. Plug-in calibration menu . . . . .	3-10
3-3. Offset Zero Calibration . . . . .	3-13
3-4. Dark calibration menu . . . . .	3-15
3-5. Electrical Channel Calibrate Menu . . . . .	3-17
3-6. External Scale Menu . . . . .	3-19

---

## Tables

3-1. Factory Calibration Summary . . . . .	3-4
3-2. Optical and Electrical Channel User Calibration Summary . . . . .	3-8
3-3. Miscellaneous User Calibration Summary . . . . .	3-9
3-4. Complete Calibration Summary . . . . .	3-20

## Contents

| \_

---

| \_

---

The Instrument at a  
Glance

---

## The Instrument at a Glance

### What you'll find in this chapter

This chapter describes:

- options and accessories
- the key conventions used in this manual
- the front panel, rear panel and keys that do *not* display menus on the screen
- lightwave connector care

Understanding the information in this chapter will help you successfully operate the instrument.

---

### CAUTION

The input circuits can be damaged by electrostatic discharge (ESD). Therefore, avoid applying static discharges to the front-panel input connectors. Before connecting any coaxial cable to the connectors, momentarily short the center and outer conductors of the cable together. Avoid touching the front-panel input connectors without first touching the frame of the instrument. Be sure that the instrument is properly earth-grounded to prevent buildup of static charge.

The Agilent 83481A optical/electrical plug-in module incorporates two measurement channels, one optical and one electrical. The electrical channel has two selectable bandwidth settings. In the lower bandwidth modes of 12.4 GHz, oscilloscope noise performance is excellent, while the 20 GHz mode allows greater fidelity for high speed signals. The calibrated, integrated optical channel has over 2.85 GHz bandwidth.

The integrated optical channel reduces mismatch loss variation by eliminating signal distorting cables and connectors associated with the use of external receivers in order to accurately characterize optical waveforms. The optical channel is calibrated to provide both accurate display of the received optical waveform in optical power units and measurement of the signal's average power. In addition, the User Cal feature provides for consistent accuracy at

any wavelength between 1000 nm and 1600 nm using a source and power meter.

The Agilent 83481A optical/electrical plug-in module also is a calibrated SONET/SDH reference receiver that is measured to comply to ITU-TS (formerly CCITT) G.957 and Bellcore GR-253-CORE frequency response requirements for transmitter compliance testing. By either pressing a front-panel button or issuing a GPIB command, a Bessel-Thomson filter (either fourth order or fifth order, depending on the option installed) is inserted into or removed from the measurement channel by a very repeatable Agilent Technologies microwave switch. The switch removes the potential variability and the time wasted by manually inserting and removing the filter when alternating between high-fidelity waveform characterization and SONET/SDH compliance testing.

The electrical measurement channel may be used to perform measurements on tributary electrical signals, to evaluate receiver performance in transceiver testing, for measurements with Agilent Technologies' wide range of external optical receivers, or for general purpose measurements.

The Agilent 83481A optical/electrical plug-in module provides:

- 2.85 GHz, 155 Mb/s and 622 Mb/s selectable optical channel
- 12.4 GHz and 20 GHz electrical channel
- Switchable SDH/SONET filters for transceiver compliance testing
- 2.5 GHz trigger channel input to the mainframe

---

## Ordering information

### Options

Option 0BW *Agilent 83481A Service Guide*  
Option 0B1 Additional set of user documentation  
Option 0B0 Deletes the user documentation  
Option UK6 Measured performance data

Option 001 Latest version of operating firmware for the Agilent 83480A  
Option 002 Latest version of operating firmware for the Agilent 54750A  
Option 012 FC/PC connector adapter  
Option 013 DIN connector adapter  
Option 014 ST connector adapter  
Option 015 Biconic connector adapter  
Option 017 SC connector adapter  
Option 040 Fourth order filter response, 155 Mb/s and 622 Mb/s  
Option 050 Fifth order filter response, 155 Mb/s and 622 Mb/s  
Option 052 Two (2) 155 Mb/s filters, one fourth order; one fifth order  
Option 062 Two (2) 622 Mb/s filters, one fourth order; one fifth order

### Optional accessories

Agilent 54006A 6 GHz divider probe  
Agilent 54008A 22 ns delay line  
Agilent 54118A 500 MHz to 18 GHz trigger  
Agilent 10086A ECL terminator

### Connection devices

SMA (f-f) adapter, Agilent part number 1250-1158  
APC 3.5 (f-f) adapter, Agilent part number 1250-1749  
Agilent 81000AI Diamond HMS-10 connector interface  
Agilent 81000FI FC/PC/SPC/APC connector interface  
Agilent 81000KI SC connector interface  
Agilent 81000SI DIN 47256/4108.6 connector interface  
Agilent 81000VI ST connector interface  
Agilent 81000WI Biconic



---

## Menu and Key Conventions

The keys labeled Trigger, Disk, and Run are all examples of front-panel keys. Pressing some front-panel keys accesses menus of functions that are displayed along the right side of the display screen. These menus are called softkey menus.

Softkey menus list functions other than those accessed directly by the front-panel keys. To activate a function on the softkey menu, press the unlabeled key immediately next to the annotation on the screen. The unlabeled keys next to the annotation on the display are called softkeys.

Additional functions are listed in blue type above and below some of the front-panel keys. These functions are called shifted functions. To activate a shifted function, press the blue front-panel Shift key and the front-panel key next to the desired function.

Throughout this manual front-panel keys are indicated by a box around the key label, for example, **Timebase**. Softkeys are indicated by shading on the key label, for example, **Mask Align**. The softkeys displayed depend on the front-panel key pressed and which menu is selected. Shifted functions are indicated by the front-panel **Shift** key followed by the shaded shifted function, for example the Local function (above the **Stop/Single** front-panel key) will be shown as **Shift**, **Local**.

A softkey with On and Off in its label can be used to turn the softkey's function on or off. To turn the function on, press the softkey so On is highlighted. To turn the function off, press the softkey so Off is highlighted. An On or Off softkey function will be indicated throughout this manual as: **Test On**.

## Menu and Key Conventions

A softkey such as **Sweep Triggered Freerun** offers you a choice of functions. In this case you could choose Triggered by pressing the softkey until Triggered is highlighted, or choose Freerun by pressing the softkey until Freerun is highlighted. A choices softkey will be indicated throughout this manual as: **Sweep Triggered Freerun** Triggered.

When some softkeys, such as **Calibrate probe**, are pressed the first time, a measurement will be made and the result will be provided. Some softkeys, such as **Offset**, require the entry of a numeric value. To enter or change the value, use the general purpose knob located below the front-panel Measure section.

---

## The Agilent 83481A Optical/Electrical Plug-In Module

The Agilent 83481A optical/electrical plug-in module is one of several plug-in modules available for the Agilent 83480A, 54750A mainframes. Its main features are:

- Integrated, calibrated optical channel.
- Optical channel includes switchable SONET/SDH filters.
- Electrical measurement channel.
- 2.5 GHz trigger channel.
- Electrical measurement channel has user-selectable bandwidths of 12.4 or 20 GHz.
- Optical channel has 2.85 GHz unfiltered bandwidth.
- 3.5 mm (m) connectors on electrical measurement channel and trigger channel.
- One probe power connector.
- One auxiliary power connector.
- Optical channel has an Agilent Technologies universal adapter for 9/125  $\mu\text{m}$  single-mode fiber input.

### **NOTE**

If you wish to use the Agilent 83481A optical plug-in module in an Agilent 54750A digitizing oscilloscope, a firmware upgrade must first be installed. Order the Agilent 83480K communications firmware kit and follow the installation instructions.

---

## The purpose of the plug-in module

The purpose of the plug-in module is to provide measurement channels, including sampling, for the mainframe. The plug-in module scales the input signal, sets the bandwidth of the system, and allows the offset to be adjusted so the signal can be viewed. The output of the plug-in module is an analog signal that is applied to the ADCs on the acquisition boards inside the mainframe. The plug-in module also provides a trigger signal input to the time base/trigger board inside the mainframe.

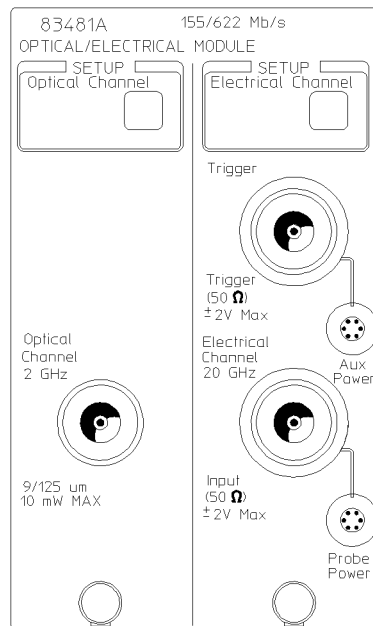
---

## Front panel of the plug-in module

The plug-in module takes up two of the four mainframe slots. The optical channel provides calibrated measurement of optical waveforms in power units. Bandwidths are selectable on both channels to optimize sensitivity and bandwidth. The front panel of the plug-in module has two channel inputs and an external trigger input. The front panel also has two **Probe Power** connectors for Agilent 54700-series probes, an **Aux Power** connector for general purpose use, and a key for each channel that displays the softkey menu. The softkey menu allows you to access the channel setup features of the plug-in module.

The front-panel **Probe Power** connectors allow automatic channel scaling and probe calibration with Agilent 54700 series probes. The front-panel **Aux Power** connector provides only power to Agilent 54700 series probes for use as a trigger input. Probe calibration and scaling are not required for a trigger input.

### The Agilent 83481A Optical/Electrical Plug-In Module



54750e02

Figure 1-1. Front panel of the plug-in module.

**The Agilent 83481A Optical/Electrical Plug-In Module**

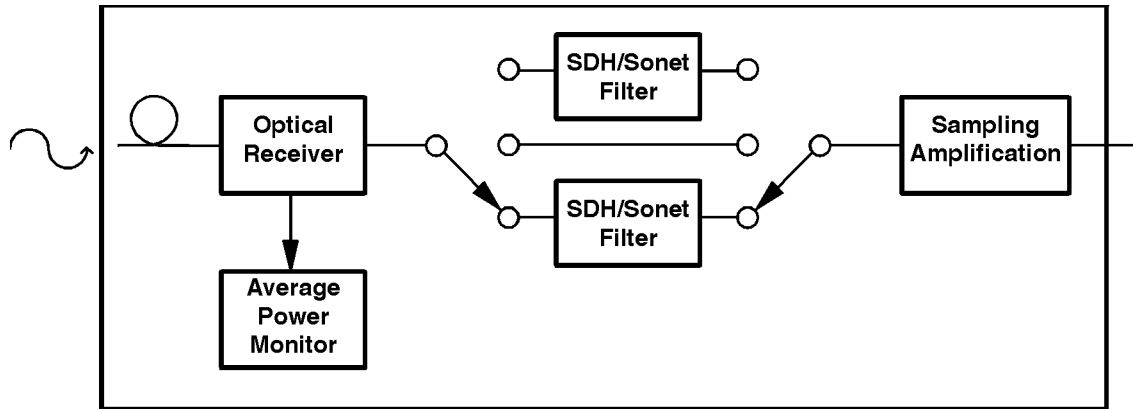


Figure 1-2. Block diagram of the plug-in module.

---

## Getting the best performance

To ensure you obtain the specified accuracy, you must perform a plug-in module vertical calibration. The calibration must also be performed when you move a plug-in module from one slot to another, or from one mainframe to another. Refer to Chapter 3 for information on performing a plug-in module vertical calibration.

---

## Installing the plug-in module

You do not need to turn off the mainframe to install or remove the plug-in modules.

### Firmware requirements

The Agilent 83481A is compatible with Agilent 83480A firmware revisions A.03.01 and above. If your Agilent 83480A has a firmware revision below A.03.01, a firmware upgrade is required. For information on ordering the latest version of the operating system firmware refer to “Ordering information” earlier in this chapter. Follow the procedure for upgrading the firmware described in the *Agilent 83480A, 54750A User’s Guide*. If your system includes an Agilent 83483A, 83484A, 54753A or 54754A follow the procedure for re-initializing the modules described in the *Agilent 83480A, 54750A Service Guide*. It is not necessary to remove the side panel to enable the switch as described in the service procedure. The module is shipped with the switch enabled.

---

### **CAUTION**

Only electrical modules, such as the Agilent 83483A, 83484A, 54753A or 54754A, have to be re-initialized.

DO NOT re-initialize optical modules. If your system includes an optical module, such as the Agilent 83481A, 83485A or 83485B, it should NOT be re-initialized. All optical calibration data would be lost and the module would have to be returned to the factory for calibration.

---

## The Agilent 83481A Optical/Electrical Plug-In Module

If you wish to use the Agilent 83481A optical plug-in module in an Agilent 54750A digitizing oscilloscope, a firmware upgrade must first be installed. Order the Agilent 83480K communications firmware kit and follow the installation instructions.

The plug-in module can be installed in slots 1 and 2 or 3 and 4 on the Agilent 83480A, 54750A mainframe. The plug-in module will *not* function if it is installed in slots 2 and 3.

To make sure the analyzer meets all of the published specifications, there must be a good ground connection from the plug-in module to the mainframe. The RF connectors on the rear of the plug-in module are spring loaded, so finger-tighten the knurled screw on the front panel of the plug-in module to make sure the plug-in is securely seated in the mainframe.

---

**CAUTION**

---

Do not use extender cables to operate the plug-in module outside of the mainframe. The plug-in module using extender cables can be damaged by improper grounding when using extender cables.

---

## Trigger

The external trigger level range for this plug-in module is  $\pm 1$  V. The trigger source selection follows the slots the plug-in module is installed in. For example, if the plug-in module is installed in slots 1 and 2, then the trigger source is listed as trigger 2. If it is installed in slots 3 and 4, then the trigger source is listed as trigger 4.

---

**CAUTION**

---

The maximum safe input voltage is  $\pm 2$  V + peak ac (+16 dBm).



---

**CAUTION**

The input circuits can be damaged by electrostatic discharge (ESD). Therefore, avoid applying static discharges to the front-panel input connectors. Before connecting any coaxial cable to the connectors, momentarily short the center and outer conductors of the cable together. Avoid touching the front-panel input connectors without first touching the frame of the instrument. Be sure that the instrument is properly earth-grounded to prevent buildup of static charge.

---

---

# Lightwave Connector Care

---

## Introduction

Lightwave cable interfaces can be damaged by improper cleaning and connection procedures. Dirty or damaged lightwave interfaces can result in nonrepeatable or inaccurate measurements. This chapter will suggest some best practices to clean, care for, connect, and inspect lightwave connectors.

**Lightwave connectors** are used to connect two fiber ends together. These connections may be used to join cables between optical ports on devices, laser sources, receivers, patch panels, terminals and many other types of systems or components.

**Fiber optic cables** are used at different wavelengths, in single or multi-mode, and in different environments. There are a variety of sizes, core/cladding combinations, jackets, and indexes of refraction. In general, different types of cables do not work well together. Cables should match each other and the system.

However, regardless of the cable type, the connectors have only one function: to provide a direct and low-loss optical signal transition from one fiber end to another. When these connectors are used in a measurement system, repeatability becomes an important factor.

**Lightwave connectors differ from electrical or microwave system connectors.** In a fiber optic system, light is transmitted through an extremely small fiber core. Because fiber cores are often 62.5 microns (0.0625 mm) or less in diameter, and dust particles range from tenths of a micron to several microns in diameter, dust and very minute contamination on the end of the fiber core can degrade the performance of the connector interface (where the two cores meet). Therefore, the connector must be precisely aligned and the connector interface free of trapped foreign material.

**Connector (or insertion) loss is one important performance characteristic of a lightwave connector.** Typical values are less than 1 dB of loss, and sometimes as little as 0.1 dB of loss with high performance connectors.

Return loss is another important factor. It is a measure of reflection: the less reflection the better (the larger the return loss, the smaller the reflection). The best physically contacting connectors have return losses better than 40 dB, although 20 to 30 dB is common.

**Causes of connector loss and reflections** include core misalignment, differences in the numerical aperture of two fibers, spacing and air gaps, reflections caused by damaged, worn, or loose fiber ends, and the improper use and removal of index matching compounds.

**Achieving the best possible connection**, where the fiber end faces are flush (no air gap) and properly aligned, depends on two things:

1. The type of connector
2. Using the proper cleaning and connecting techniques. If the connection is lossy or reflective, light will not make a smooth transition. If the transition is not smooth or the connection is not repeatable, measurement data will be less accurate. For this reason, lightwave connections can make a critical difference in optical measurement systems.

---

## Cleaning and handling

Proper cleaning and handling of lightwave connectors is imperative for achieving accurate and repeatable measurements with your Agilent Technologies lightwave equipment. Lightwave interfaces should be cleaned before each measurement using the techniques described in this handbook. Information on protecting and storing your connectors/cables and tips on how to properly mate connectors are also included in this section.

### Definition of terms

To avoid confusion, the following definitions are used in this handbook.

Connector	Houses the fiber end, most open at the end of a lightwave cable or on the front panel of an instrument or accessory.
Adapter	Does not contain optical fiber. Used to mate two optical connectors.

### Handling

Always handle lightwave connectors and cable ends with great care. Fiber ends should never be allowed to touch anything except other mating surfaces or cleaning solutions and tools.

Always keep connectors and cable ends covered with a protective cap when they are not in use. (See "Storage.")

### Cleaning

Three cleaning processes are provided. The first process describes how to clean non-lensed lightwave connectors. The second process describes how to clean lightwave adapters. The third process describes how to care for lensed lightwave connections.

---

### CAUTION

Agilent Technologies strongly recommends that index matching compounds *not* be applied to their instruments and accessories. Some compounds, such as gels, may be difficult to remove and can contain damaging particulates. If you think the use of such compounds is necessary, refer to the compound manufacturer for information on application and cleaning procedures.

---

---

## Cleaning non-lensed lightwave connectors

### Equipment

The following is a list of the items that should be used to clean non-lensed lightwave connectors.

- Any commercially available denatured alcohol
- Cotton swabs ..... Agilent part number 8520-0023
- Compressed air ..... Agilent part number 8500-5262

---

### CAUTION

Agilent Technologies recommends that you do not use any type of foam swab to clean optical fiber ends. Foam swabs can leave filmy deposits on fiber ends that can degrade performance.

### Process

Before cleaning the fiber end, clean the ferrules and other parts of the connector. Use isopropyl alcohol, clean cotton swabs, and clean compressed air. Then use alcohol to clean the fiber end. Some amount of wiping or mild scrubbing of the fiber end can help remove particles when application of alcohol alone will not remove them. This can be done by applying the alcohol to a cotton swab and moving it back and forth across the fiber end several times. This technique can help remove or displace particles smaller than one micron.

Allow the connector to dry (about a minute) or dry it immediately with clean compressed air. Compressed air lessens the chance of deposits remaining on the fiber end after the alcohol evaporates. It should be blown horizontally across the fiber end. Visually inspect the fiber end for stray cotton fibers. As soon as the connector is dry, the connection should be made.

---

### CAUTION

Inverting the compressed air canister while spraying will produce residue on the sprayed surface. Refer to instructions provided on the compressed air canister.

---

## Cleaning lightwave adapters

### Equipment

All of the items listed above for cleaning connectors may be used to clean lightwave adapters. In addition, small foam swabs may be used along with isopropyl alcohol and compressed air to clean the inside of lightwave connector adapters.

#### **NOTE**

As noted in a previous caution statement, the foam swabs can leave filmy deposits. These deposits are very thin however, and the risk of other contamination buildup on the inside of adapters greatly outweighs the risk of contamination of foam swab deposits left from cleaning the inside of adapters.

### Process

Clean the adapter by applying isopropyl alcohol to the inside of the connector with a foam swab. Allow the adapter to air dry, or dry it immediately with clean compressed air.

---

## Cleaning lensed connections

Some instruments may have a connector that is “lensed.” In other words: the connection does not provide a physically contacting connection, but the light is received into a lens rather than into a connecting fiber. These receiving lenses usually have an anti-reflective coating that is very easily damaged. Therefore, these connectors should *never* have cleaning solutions or any other substance applied to them unless it is specifically recommended by the manufacturer. You may wish to use clean compressed air to rid them of dust from time to time.

---

## Storage

All of Agilent Technologies' lightwave instruments are shipped with either laser shutter caps or dust caps on the lightwave adapters that come with the instrument. Also, all of the cables that are shipped have covers to protect the cable ends from damage or contamination. These dust caps and protective covers should be kept on the equipment at all times except when in use.

The adapters that were shipped on your instrument can be removed from the connectors on the instrument. If you remove these adapters you should keep the exposed connector of your instrument covered until the next use. Protective covers for these exposed connectors are not provided with the instruments, so it is best to keep the adapters on the instrument with the dust covers on.

The list below provides the Agilent Technologies part numbers for the laser shutter cap and dust caps that are provided with lightwave instruments and accessories.

<b>Item</b>	<b>Agilent Part No.</b>	<b>Connector Option</b>
Laser shutter cap	08145-64521	All options
FC/PC dust cap	08154-44102	Option 012
DIN dust cap	5040-9364	Option 013
ST dust cap	5040-9366	Option 014
Biconic dust cap	08154-44105	Option 015
SC dust cap	1401-0253	Option 017

---

## Making connections

Proper connection technique requires attention to connector compatibility, insertion technique and torque requirements. Connectors must be the same connector type in order to ensure mechanical and optical compatibility. Attempting to connect incompatible connector types may prevent the connection from functioning properly and even cause damage to the fiber surfaces. A visual inspection of the mechanical interfaces may not be enough because some connector types have the same mechanical interface but have different optical fiber interfaces (for example, angled-no-contact, angled-contact or straight-contact fiber interfaces). Refer to the manufacturer's data sheet to confirm connector type compatibility before connecting.

When you insert the ferrule into a connector or adapter, make sure that the fiber end does not touch the outside of the mating connector or adapter. In this way, you will not rub the fiber end against any undesirable surface. Many connectors have a keyed slot provided for optimum measurement repeatability that also helps to align and seat the two connectors. After the ferrule is properly seated inside the other connector, use one hand to keep it straight, rotate it to align the key, and tighten it with the other hand.

Most connectors using springs to push fiber ends together exert one to two pounds of force. Over-tightening or under-tightening these connectors can result in misalignment and nonrepeatable measurements. Always finger tighten the connector in a consistent manner. Refer to the manufacturer's data sheet for any torque recommendations.



---

## Summary

When making measurements with lightwave instruments or accessories, the following precautions will help to insure good, reliable, repeatable measurements:

- confirm connector type compatibility.
- use extreme care in handling all lightwave cables and connectors.
- be sure the connector interfaces are clean before making any connections.
- use the cleaning methods described in this handbook.
- keep connectors and cable ends covered when not in use.

---

## Inspection

### **Visual inspection**

Although it is not necessary, visual inspection of fiber ends can be helpful. Contamination and/or imperfections on the cable endface can be detected as well as cracks or chips in the fiber itself.

Several fiber inspection scopes are on the market, but any microscope with an enlargement range of 100× to 200× can be used. It is helpful to devise some method to hold the fiber in place while viewing in this range.

Inspect the entire endface for contamination, raised metal, or dents in the metal, as well as any other imperfections. Inspect the fiber core for cracks and chips.

Visible imperfections not touching the fiber core may not affect the performance of the lightwave connection (unless the imperfections keep the fibers from contacting). Consistent optical measurements are the best assurance that your lightwave connection is performing properly.

---

### **WARNING**

Always remove both ends of fiber-optic cables from any instrument, system, or device before visually inspecting the fiber ends. Disable all optical sources before disconnecting fiber-optic cables. Failure to do so may result in permanent injury to your eyes.

---

---

## Optical performance testing

### Introduction

Consistent measurements with your lightwave equipment are a good indication that you have good connections. However, you may wish to know the insertion loss and/or return loss of your lightwave cables or accessories. If you test your cables and accessories for insertion loss and return loss upon receipt, and retain the measured data for comparison, you will be able to tell in the future if any degradation has occurred.

### Insertion loss

Insertion loss can be tested using a number of different test equipment configurations. Some of these are:

- an Agilent 8153A lightwave multimeter with a source and a power sensor module
- an Agilent 8702B or Agilent 8703A lightwave component analyzer system with a lightwave source and receiver

Many other possibilities exist. The basic requirements are an appropriate lightwave source and a compatible lightwave receiver. Refer to the manuals provided with your lightwave test equipment for information on how to perform an insertion loss test.

Typical insertion loss for cables is less than 1 dB, and can be as little as 0.1 dB. For actual specifications on your particular cable or accessory, refer to the manufacturer.

**Return loss**

Return loss can be tested using a number of different test equipment configurations. Some of these are:

- an Agilent 8153A lightwave multimeter and Agilent 81534A return loss module
- an Agilent 8702B lightwave component analyzer with the appropriate source, receiver and lightwave coupler
- an Agilent 8703A lightwave component analyzer
- an Agilent 8504A precision reflectometer

Many other possibilities exist. The basic requirements are an appropriate lightwave source, a compatible lightwave receiver, and a compatible lightwave coupler.

Refer to the manuals provided with your lightwave test equipment for information on how to perform a return loss test.

Typical return loss is better than 20 to 30 dB, and can be better than 40 dB. For actual specifications on your particular cable or accessory, refer to the manufacturer.

**The Instrument at a Glance**



**Channel Setup Menu**



---

## Channel Setup Menu

### **What you'll find in this chapter**

This chapter describes the Channel Setup menu. A key tree and description of the available functions is included.

---

### **CAUTION**

The input circuits can be damaged by electrostatic discharge (ESD). Therefore, avoid applying static discharges to the front-panel input connectors. Before connecting any coaxial cable to the connectors, momentarily short the center and outer conductors of the cable together. Avoid touching the front-panel input connectors without first touching the frame of the instrument. Be sure that the instrument is properly earth-grounded to prevent buildup of static charge.

At the top of the plug-in module are the **Channel** keys. These keys give you access to the Channel Setup menu for each input. The Channel Setup menu is displayed on the right side of the screen when the **Channel** key is pressed. There are several types of softkeys available. A description of the different softkeys and their functions is provided in the *Agilent 83480A, 54750A User's Quick Start Guide* supplied with the mainframe.

### **NOTE**

The plug-in module has both an electrical channel and an optical channel. Although many of the softkeys are similar, some differences exist. The examples in this book use the optical channel and note when the user would see differences if using the electrical channel.

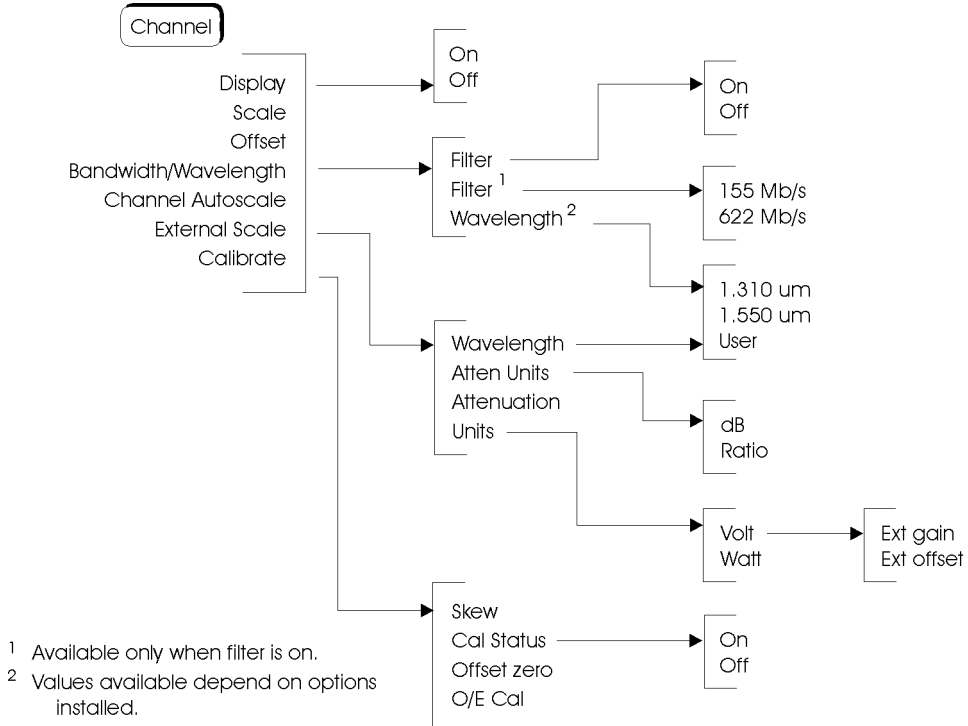


Figure 2-1. Optical Channel Setup menu.

## Channel Setup Menu

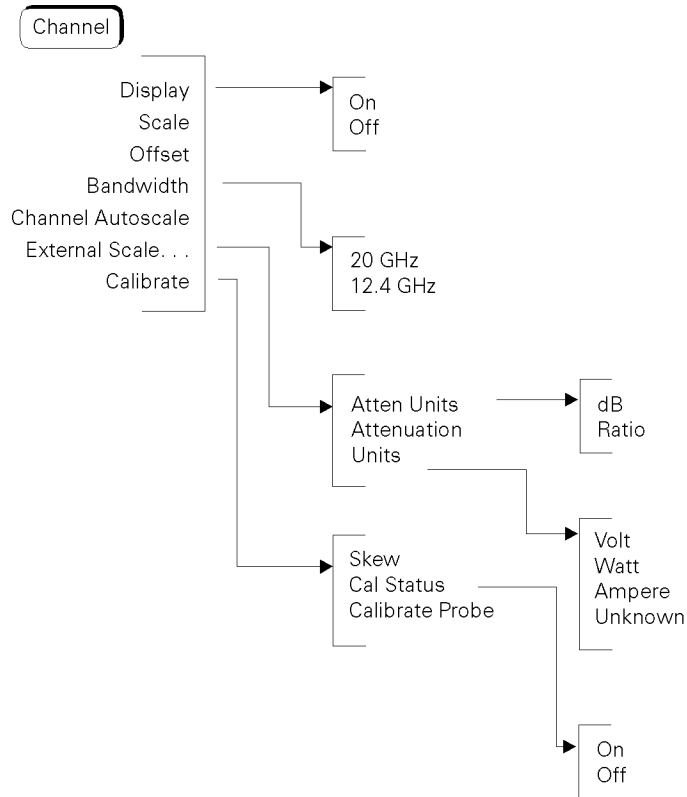


Figure 2-2. Electrical Channel Setup menu.



---

## Displaying the Channel Setup Menus

To display the optical Channel Setup menu, press the optical **Channel** key.

To display the electrical Channel Setup menu, press the electrical **Channel** key.

---

### Display

The Display function turns the channel display off and on. When the channel display is on, a waveform is displayed for that channel, unless the offset is adjusted so the waveform is clipped off of the display.

The channel number, vertical scaling, and offset are displayed at the bottom left of the waveform area. They remain on the display until the channel is turned off, or an automatic measurement is performed. The automatic measurement results share the same area of the display as the channel setups.

When the channel display is off, the waveform display for that channel is turned off, pulse parameter measurements are stopped and acquisition on that channel is stopped, unless it is needed as an operand for waveform math functions.

Even though the channel display is off, you can still use the plug-in as a trigger source or as a function source in the Math menu. However, the analyzer will not trigger unless one or more of the other channel displays are turned on, or unless a math function is using one of the channels.

#### Key Path

**Channel** Display

---

## Scale

The Scale softkey controls the vertical scaling of the waveform. If the fine mode is off, then the knob and arrow keys change the vertical scaling in a 1-2-5 sequence. When fine mode is on, the knob and arrow keys change the vertical scaling in 1 mW increments (mV if using the electrical channel). You can also use the keypad to enter values in 1 mW (or 1 mV) increments, independent of the fine mode selection.

The units the scale is displayed in depend on the unit of measure selected with the Units softkey. The choices for units are volts or watts. (Amperes, or unknown are available on electrical channels only.)

### Key Path

**Channel** **Scale**

---

## Offset

The Offset softkey moves the waveform vertically. It is similar to the position control on analog oscilloscopes. The advantage of digital offset is that it is calibrated. The offset voltage for electrical channels is the voltage at the center of the graticule area, and the range of offset is  $\pm 12$  times the full resolution channel scale. For optical channels, the offset wattage is the wattage two graticule divisions above the bottom of the screen. This is set because, unlike voltage displays, “negative” power levels do not exist but the zero power level can be viewed clearly when the offset is set to zero watts. You can use the knob, arrow keys, or keypad to change the offset setting. The fine mode also works with offset.

When an Agilent 54700-series active probe is used with the plug-in module and is connected to the probe power connector adjacent to the channel input, the offset control adjusts the external scale factor and offset of the hybrid inside the active probe. A probe connected to the auxiliary power connector adjacent to the trigger input will function, but the channel scale factor will not be adjusted automatically.

The optical channel displays the value in watts and the electrical channel displays the value in volts.

### Key Path

Channel Offset

---

## Bandwidth/Wavelength. . .

You can use the Bandwidth/Wavelength softkey to change the bandwidth and wavelength settings and turn the filter on and off on the optical channel.

### Bandwidth

*This function is available only on the electrical channel.*

You can use the Bandwidth function to select either the 12.4 GHz or the 20 GHz bandwidth.

### Key Path

**(Channel)** Bandwidth

### Filter

This Filter function turns the filter on and off.

### Key Path

**(Channel)** Bandwidth/Wavelength. . . Filter On Off

### Filter

This Filter function allows a SONET/SDH Bessel-Thomson filter to be switched into the channel to create a SONET/SDH reference receiver. The choices are 155 Mb/s or 622 Mb/s. The values of the filters depend on the installed options.

### Key Path

**(Channel)** Bandwidth/Wavelength. . . Filter 155 Mb/s:4th or

**(Channel)** Bandwidth/Wavelength. . . Filter 622 Mb/s:4th

### Wavelength

*This function is only available on the optical channel.*

The Wavelength function selects the desired wavelength for calibrated measurements. Factory calibrated wavelengths are 1310 nm and 1550 nm. A user-calibrated wavelength is also available and can be calibrated in the range from 1000 nm to 1600 nm. Refer to Chapter 3 for additional information on performing a calibration.

### Key Path

**(Channel)** Wavelength

---

## Channel autoscale

The Channel Autoscale function provides a convenient and fast method for determining the standard vertical scale setting with the highest resolution that will not clip the waveform. Timebase and trigger settings are not affected.

This function is useful in manufacturing environments where the timebase and trigger settings remain constant and only the vertical scale needs to be adjusted for signal level variations in multiple DUTs.

**Key Path**

**Channel** Channel autoscale

---

## External scale . . .

The External Scale function allows you to setup the analyzer to use external optical-to-electrical converters or attenuators. Scaling is automatically adjusted to account for the external device.

**Key Path**

**Channel** External scale . . .

**Atten units**

The Atten Units function lets you select how you want the probe attenuation factor represented. The choices are either decibel or ratio. The formula for calculating decibels is:

$$20 \log \frac{V_{out}}{V_{in}} \text{ or } 10 \log \frac{P_{out}}{P_{in}}$$

**Key Path**

**Channel** External scale . . . Atten units

## Displaying the Channel Setup Menus

### Attenuation

The Attenuation function lets you select an attenuation that matches the device connected to the analyzer. When the attenuation is set correctly, the analyzer maintains the current scale factors if possible. All marker values and voltage or wattage measurements will reflect the actual signal at the input to the external device.

The attenuation range is from 0.0001:1 to 1,000,000:1. When you connect a compatible active probe to the probe power connector, adjacent to the channel input, the instrument automatically sets the attenuation. For all other devices, set the probe attenuation with the knob, arrow keys, or keypad.

#### NOTE

Refer to Chapter 3 for information on calibrating to the tip of the probe.

### Key Path

**Channel** External scale . . . Attenuation

### Units

The Units function lets you select the unit of measure appended to the channel scale, offset, trigger level, and vertical measurement values. For the optical channel these units are Volts or Watts. For the electrical channel the units are Volts, Amperes, Watts, or unknown. Use Volt for voltage probes, Ampere for current probes, Watt for optical-to-electrical (O/E) converters, and unknown when there is no unit of measure or when the unit of measure is not one of the available choices.

### Key Path

**Channel** External scale . . . Units

**Displaying the Channel Setup Menus****Ext gain and  
Ext offset**

When you select Ampere, Watt, or unknown on an electrical channel or Volt on an optical channel, two additional functions become available: External Gain and External Offset. These two additional functions allow you to compensate for the actual characteristics of the probe rather than its ideal characteristics. For example, you might have an amplified lightwave converter with ideal characteristics of 300 V/W with 0 V offset. But, its actual characteristics are 324 V/W with 1 mV of output offset. Therefore, set the External Gain to 324 V/W and the External Offset to 1 mV.

**Key Path**

**Channel** External scale . . . Units Volt Ext gain or  
Ext Offset

**Channel** External scale . . . Units Ampere Ext gain or  
Ext Offset

**Channel** External scale . . . Units Watt Ext gain or  
Ext Offset

**Channel** External scale . . . Units Unknown Ext gain or  
Ext Offset

---

## Calibrate

The calibrate menu allows you to null out any skew between probes or cables, remove the effects of offsets in the internal O/E converter, recalibrate the responsivity of the O/E converter, and check the present calibration status of the analyzer.

**Key Path**

**Channel** Calibrate

## Displaying the Channel Setup Menus

### Skew

The Skew function changes the horizontal position of a waveform on the display. The Skew function has a range of  $\approx +100 \mu\text{s}$ . You can use skew to compensate for differences in cable or probe lengths. It also allows you to place the triggered edge at the center of the display when you are using a power splitter connected between the channel and trigger inputs. Another use for skew is when you are comparing two waveforms that have a timing difference between them. If you are more interested in comparing the shapes of two waveforms rather than the actual timing difference between them, you can use Skew to overlay one waveform on top of the other waveform.

#### To skew two channels

1. Turn both channels on and overlay the signals vertically.
2. Expand the time base so the rising edges are about a 45 degree angle.
3. Adjust the skew on one of channels so that the rising edges overlap at the 50 percent points.

### Key Path

Channel Calibrate Skew



## Displaying the Channel Setup Menus

## Cal status

The Cal Status function displays a screen similar to Figure 2-3.

## Key Path

**Channel** **Calibrate** **Cal Status**

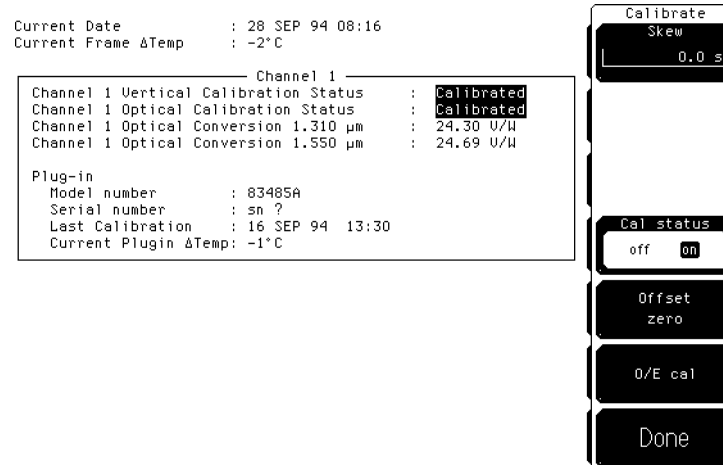


Figure 2-3. A typical Cal Status display.

**Current Date** This is the current date and time. You can compare this to the last plug-in module calibration time. That way you will know how long it has been since the last plug-in module calibration was performed.

**Current Frame ΔTemp** This is the temperature change on the inside of the instrument since the last mainframe calibration was performed. A positive number indicates how many degrees warmer the mainframe is currently as compared to the temperature of the mainframe at the last mainframe calibration.

## Displaying the Channel Setup Menus

### Channel 1 Calibration Status

The instrument displays **Calibrated** or **Uncalibrated**, depending on whether the last plug-in module calibration is still valid. A calibration can be invalidated if:

- The mainframe has cycled power.
- The plug-in has been repaired, reprogrammed, or removed from the mainframe.
- The instrument's operating temperature has changed and remains more than 5°C from the temperature at which the Plug-in calibration was performed.

**Uncalibrated** indicates the plug-in module vertical calibration is invalid.

### Plug-in

The Plug-in function lists the model number, serial number, date, time, and temperature delta. The temperature  $\Delta$  is the temperature change from the temperature of the mainframe when the last calibration was performed. If this temperature  $\Delta$  is greater than  $\pm 5^\circ\text{C}$  since the last mainframe calibration, then you must perform a plug-in module calibration to achieve the specified dc accuracy.

### Offset zero

The Offset Zero function performs a quick offset calibration on the optical channel. Since the primary source of calibration error on the optical channel is offset drift, this function is useful between the plug-in module vertical calibrations if the plug-in module has not been removed or reinstalled and the operating temperature has not changed more than  $\pm 5^\circ\text{C}$ . In order to ensure that instrument specifications are met, perform the plug-in vertical calibration.

Performing an Offset Zero calibration is much faster than performing a complete vertical calibration.

### Key Path

**Channel** **Calibrate** **Offset zero**

### O/E cal

The plug-in module is provided with factory optical calibrations at 1310 nm and 1550 nm. The O/E Calibration function allows you to calibrate the instrument for use at one additional user-defined wavelength between 1200 nm and 1600 nm. This calibration does not affect the factory calibrations.

### Key Path

**Channel** **Calibrate** **O/E cal**

**Calibrate probe** Connect a voltage probe to the plug-in and then press:

**Calibrate probe**

The analyzer calibrates to the tip of the probe by setting the probe attenuation to the actual attenuation ratio of the probe. The analyzer also automatically compensates for any offset the probe may introduce. The CAL signal is internally routed to the probe tip for Agilent probes.

**Key Path**

**Channel** **Calibrate** **Calibrate probe**

## Channel Setup Menu



**Calibration Overview**

---

# Calibration Overview

**What you'll find in this chapter**

Factory Calibrations  
User Calibrations—Optical and Electrical  
Complete Calibration

This chapter describes the calibration of the mainframe and the plug-in modules. It is intended to give you, or the calibration laboratory personnel, an understanding of the various calibration procedures available, and how they were intended to be used. There is a description of the calibration menu included in the manuals provided with the plug-in modules and probes.

Proper calibration is critical to measurement accuracy and repeatability. The Agilent 54750A/83480A and their associated modules and accessories require that both factory and user calibrations be implemented at the recommended intervals in order to perform measurements at their published specifications.

This chapter is divided into three sections. The first section describes factory calibrations. A factory calibration consists of verifying instrument performance to all specifications. If an instrument fails to meet specifications, adjustment or repair may be necessary. For most users, this will mean shipping the instrument back to an authorized service center. Some users may purchase the required instrumentation and perform the factory timebase calibrations themselves using the optional *Agilent 83480A, 54750A Service Guide*.

The second part of the chapter addresses calibrations that are routinely performed by the end user. Subsections in each of the two main sections discuss the individual calibrations. In addition, there will be summary tables at the end of each of these sections summarizing the main areas addressed. The third part of the manual consists of a complete calibration summary table at the end of the chapter. Both factory and user calibrations must be

performed regularly in order to ensure proper measurement accuracy and repeatability.

---

**CAUTION**

The input circuits can be damaged by electrostatic discharge (ESD). Avoid applying static discharges to the front-panel input connectors. Before connecting a coaxial cable to the connectors, momentarily short the center and outer connectors of the cable together. Avoid touching the front panel input connectors without first touching the frame of the instrument. Be sure that the instrument is properly earth-grounded to prevent buildup of static charge. It is strongly recommended that an antistatic mat and wristband be used when connecting to electrical channel inputs, particularly TDR inputs.

---

**Calibration interval**

Agilent Technologies recommends that the factory calibration be performed on a periodic basis. Agilent designs instruments to meet specifications over the recommended calibration interval provided that the instrument is operated within the specified operating environment. To maintain specifications, periodic recalibrations are necessary. We recommend that the plug-in module be calibrated at an Agilent Technologies service facility every 12 months. Users are encouraged to adjust the calibration cycle based on their particular operating environment or measurement accuracy needs.

**Required warm-up time**

The instrument requires a 1 hour warm-up period before any of the calibrations mentioned in this chapter are performed. It is not enough for the instrument to be in the standby setting. It must be turned on and running for the entire hour.

**Remote operation**

Remote programming commands for calibrations are included in the *Agilent 83480A/Agilent 54750A Programming's Guide*. Performing calibrations remotely is slightly different than the operation of front-panel calibrations.

# Factory Calibrations

The following calibrations are performed at the factory:

- Mainframe Calibration
- O/E Factory Wavelength Calibration

**Table 3-1. Factory Calibration Summary**

Calibration	What is calibrated	Measurements Affected	Recommended Interval	Softkey Path
Mainframe Calibration	Accuracy and continuity of the timescale	Channels affected: optical & electrical. All time base measurements such as rise time, fall time, eye width, and jitter.	Annually at Agilent service center or if operating temp has changed and remains 5°C or more from calibration temperature. See service manual.	Utility Calibrate Calibrate frame
O/E Factory Wavelength Calibration	The photodetector responsivity	Channels affected: optical. Amplitude accuracy of all optical channel measurements. Optical power meter accuracy.	Annual factory re-calibration of standard wavelengths.	Not user accessible. <sup>1</sup>

<sup>1</sup> Refer to "O/E User-Wavelength Calibration" in this chapter.

## Mainframe Calibration

Mainframe calibration affects both optical and electrical measurements. Mainframe calibration improves timebase accuracy. All timebase measurements such as rise time, fall time, eye width, jitter, and so forth are affected by the timebase accuracy.



The calibration factors are stored in the nonvolatile RAM of the instrument. There is a switch on the back panel of the instrument that allows the mainframe calibration to be protected or unprotected. Next to the switch there is a drawing that shows each switch's function and protected position. Refer to the optional *Agilent 83480A, 54750A Service Guide* for more details about the mainframe calibration, and the position of the rear-panel memory protect switches.

**CAUTION**

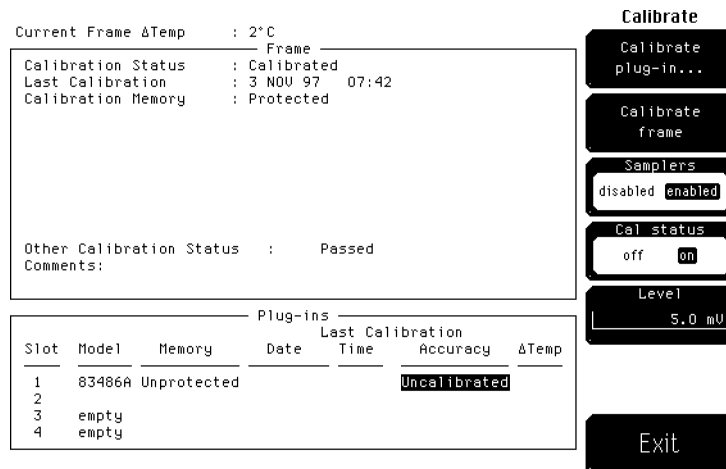
To prevent access to the mainframe calibration switch, place a sticker over the access hole to this switch.

**CAUTION**

Do not attempt a Mainframe calibration without consulting the *Agilent 83480A, 54750A Service Guide*.

A mainframe calibration should be performed on a periodic basis, annually, or when the ambient operating temperature has changed by and remains 5°C different than the operating temperature at which the last mainframe calibration was performed. To see how much the operating temperature has changed since the last mainframe calibration and the date of the last mainframe calibration, check the Calibration status by pressing the following key sequence: **Utility**, **Calibrate**, and then **Cal status** on.

The temperature change is displayed at the top of the display as shown in the following figure.



**Figure 3-1. Current Frame ΔTemp condition**

## Factory Calibrations

If the **Current Frame ΔTemp** listing is greater than  $\pm 5^{\circ}\text{C}$ , then the mainframe should either be calibrated at the current operating temperature or be placed in an ambient air temperature that is within  $5^{\circ}\text{C}$  of the temperature of the current calibration.

---

## O/E Factory Wavelength Calibration

Optical/electrical (O/E) factory wavelength calibration, compensates for the photodetector responsivity. The accuracy of all optical channel measurements is dependent on proper O/E calibration. O/E calibrations should be performed annually. Most customers return their optical plug-ins to an authorized Agilent Technologies service center for this calibration at the same time they are having their mainframes re-calibrated.

The Agilent 83480-series optical modules have one or two standard wavelengths (850 nm or 1310/1550 nm). The O/E Calibration function allows you to calibrate the instrument for use at one additional user-defined wavelength. This calibration does not affect the factory calibrations. See the following section on User Calibrations for additional information on this procedure.

---

## User Calibrations—Optical and Electrical

The following calibrations can be performed by the user:

- O/E User Wavelength Calibration
- Plug-in Module Vertical Calibration
- Offset Zero Calibration
- Dark Calibration
- Probe Calibration
- Channel Skew
- External Scale

Electrical channels have calibration procedures for:

- adjusting timebase skew, for matching propagation delay between channels, probes, cables, and so forth
- using external probes

Optical channels have calibration procedures for:

- adjusting timebase skew
- monitoring and adjusting internal offsets
- performing a user-defined O/E responsivity adjustment

---

### CAUTION

The input circuits can be damaged by electrostatic discharge (ESD). Avoid applying static discharges to the front panel input connectors. Before connecting a coaxial cable to the connectors, momentarily short the center and outer connectors of the cable together. Avoid touching the front panel input connectors without first touching the frame of the instrument. Be sure the instrument is properly earth-grounded to prevent buildup of static charge. An antistatic mat and wristband are strongly recommended, particularly when working with TDR modules.

---

**User Calibrations—Optical and Electrical**

**Table 3-2. Optical and Electrical Channel User Calibration Summary**

Calibration	What is calibrated	Measurements Affected	Recommended Interval	Key Path
O/E User Wavelength Calibration	The photodetector responsivity	Channels affected: optical. All optical channel measurements at user wavelengths.	Annual re-calibration of user defined non-factory wavelengths	<b>Optical Channel Setup</b> Calibrate O/E Cal
Plug-in Vertical Calibration	Vertical offset and vertical scale accuracy for both electrical and optical channels.	Channels affected: optical & electrical. Any optical or electrical vertical measurements such as $V_p$ to $p$ , eye height, extinction ratio, and the optical power meter	Perform after any power cycle or once every 10 hours during continuous use or if operating temperature changes by more than 2°C.	<b>Utility</b> Calibrate Calibrate Plug-in
Offset Zero Calibration	Vertical offset is calibrated for the optical channel only. This calibration doesn't include vertical scale accuracy.	Channels affected: optical. Any optical vertical measurements including: $V_p$ to $p$ , eye height, and extinction ratio.	Perform a plug-in vertical calibration in order to meet published specifications. Because the offset zero calibration performs only the offset portion of the plug-in vertical calibration, it should only be used before fast non-critical measurements.	<b>Optical Channel Setup</b> Calibrate Offset 0
Dark Calibration	Dark calibration measures the channel offset signal without any light present and this value is used in the extinction ratio algorithm.	Channels affected: optical & electrical. Extinction ratio.	Before extinction ratio measurements if the vertical scale or offset has changed since the last dark calibration or after a plug-in vertical calibration is performed.	<b>Shift</b> , <b>Meas eye</b> Extinction ratio Dark Cal

**Table 3-3. Miscellaneous User Calibration Summary**

Calibration	What is calibrated	Measurements Affected	Recommended Interval	Key Path
Probe calibration	Probe Attenuation	Channels affected: electrical. Any electrical measurement taken with the probe	Whenever a probe is connected	<b>Electrical Channel Setup</b> Calibrate Calibrate probe
Channel Skew	Calibrates out the small differences in delay between channels. Useful for looking at timing differences between channels	Channels affected: optical & electrical. Multiple channel measurements, such as Differential TDR	Before multiple channel measurements when measuring timing differences between channels.	<b>Channel Setup</b> Calibrate Skew
External Scale	Compensates for gain or loss associated with external devices  calibrates vertical scale to external device	Channels affected: optical & electrical. Any measurement taken through an external device  component or transducer	Whenever using external devices  component or transducer	<b>Channel Setup</b> External Scale

---

## O/E User-Wavelength Calibration

This optional optical/electrical (O/E) calibration is for optical measurements only. It compensates for the photodetector's responsivity. The vertical accuracy of all optical channel user wavelength measurements is dependent on proper O/E user wavelength calibration. O/E user-wavelength calibrations should be performed annually or whenever a new wavelength is being measured. To perform a O/E user-wavelength calibration, a CW optical source with a known optical output power level is required. Refer to the specifications for the plug-in module for the acceptable power level ranges.

## User Calibrations—Optical and Electrical

### NOTE

The optical channel calibration accuracy is heavily dependent on the accuracy to which you know the optical source power. For best results, measure the optical source power with an optical power meter such as the Agilent 8153A and use precision optical connectors. In addition, proper connector cleaning procedures are essential to obtaining an accurate calibration.

### To perform an O/E user-wavelength calibration

1. Press the plug-in module's front-panel optical channel **SETUP** key.
2. Press **Calibrate**, and then **O/E cal**.
3. Input the correct wavelength, and follow the instructions on the screen.

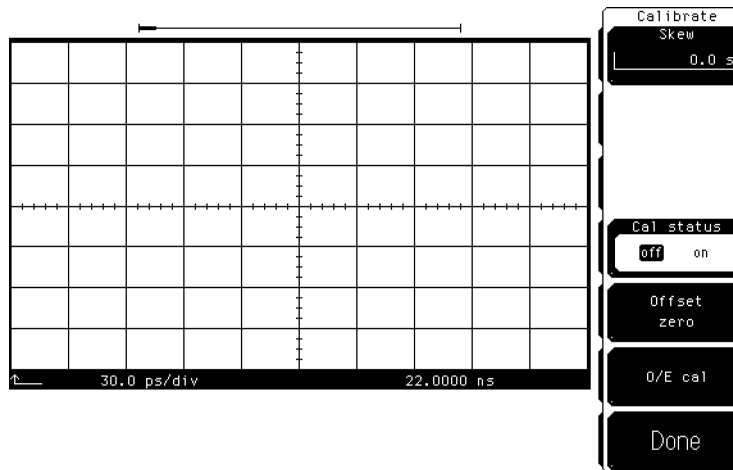


Figure 3-2. Plug-in calibration menu

**To use an O/E  
user-wavelength  
calibration**

1. Press the plug-in module's front-panel optical channel **SETUP** key.
2. Press **Bandwidth/wavelength** and then **Wavelength**.
3. Press **Usr wavelength** and then **Enter**.

---

## Plug-in Module Vertical Calibration

The plug-in module vertical calibration is for both optical and electrical measurements. It allows the instrument to establish the calibration factors for a specific plug-in when the plug-in is installed in the mainframe. The plug-in calibration factors are valid only for the specific mainframe slot in which it was calibrated. The plug-in vertical calibration establishes vertical accuracy.

A plug-in vertical calibration should be done if:

- The mainframe has cycled power.
- The plug-in has been repaired, reprogrammed, or removed from the mainframe.
- The instrument's operating temperature has changed and remains more than 5°C from the temperature at which the Plug-in calibration was performed.

To obtain the best measurement results, it is recommended that a user vertical calibration be performed after every 10 hours of continuous use or if the temperature has changed by greater than 2°C from the previous vertical calibration.

**To view the  
temperature change**

This procedure displays the temperature change that the instrument has undergone since the last Plug-in Vertical Calibration.

1. Press the front-panel channel **SETUP** key.
2. Press **Calibrate** and then **Cal status** on.

The current plug-in  $\Delta$ Temp value is listed for each installed module.

**To perform a plug-in  
module vertical  
calibration**

1. Remove any front-panel connections from electrical channels.
2. Cover the optical inputs for the optical channels.
3. Press **Utility**, **Calibrate. . .**, and then **Calibrate plug-in. . .**.
4. Select the plug-in module to be calibrated, press **1 and 2** or **3 and 4**.
5. Press **Start cal** to start the calibration.
6. Follow the on-screen instructions.

No additional equipment is required to perform a plug-in vertical calibration. Reference signals are both generated and routed internally, for the optical and electrical channels. If you are prompted to connect the calibrator output to the electrical channel during an optical vertical calibration, then the factory O/E calibration has been lost. The module must then be returned to Agilent Technologies for calibration.

---

## Offset Zero Calibration

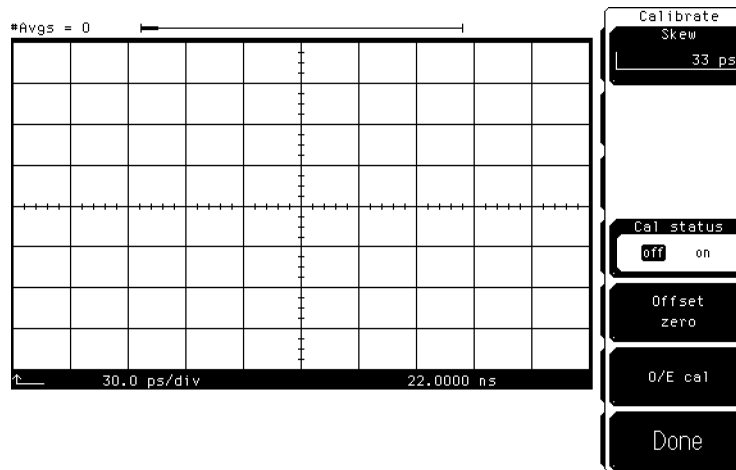
The offset zero calibration performs a quick offset calibration on the optical channel for optical measurements. Since the primary source of calibration error on the optical channel is offset drift, this function is useful between the plug-in module vertical calibrations if the plug-in module has not been removed or reinstalled and the operating temperature has not changed more than  $\pm 5^{\circ}\text{C}$ . In order to ensure that instrument specifications are met, perform the plug-in vertical calibration.

Performing an offset zero calibration is much faster than performing a complete vertical calibration. For critical measurements where offset measurement uncertainty is important to consider, perform an offset zero calibration between module vertical calibrations. Perform an offset zero calibration if the vertical scale or offset changes.



**User Calibrations—Optical and Electrical****To initiate an offset calibration**

1. Disconnect all inputs from the module being calibrated.
2. Cover all optical inputs.
3. Press the plug-in module's front-panel optical channel **SETUP** key.
4. Press **Calibrate** and then **Offset zero**.

**Figure 3-3. Offset Zero Calibration**

---

## Dark Calibration

The dark calibration is for optical measurements, or electrical measurements if an external O/E is being used. This calibration measures the optical channel offset signal when there isn't any light present and then uses this information in performing extinction ratio measurements. Dark calibrations should be done for the following conditions:

- Before any critical extinction ratio measurements are made
- After a plug-in vertical calibration
- If a module has been removed
- If the mainframe power has been cycled
- If extinction ratio measurements are being made after the vertical scale or the offset has changed.

If the line power has been cycled, the dark calibration invokes either the offset zero calibration or plug-in vertical calibration as needed. This increases the time required for the dark calibration to complete. The **Dark cal** softkey is located within the Extinction ratio menu.

### To initiate a dark calibration

1. Press the **Display** key. Press the **Color grade** softkey, and set its setting to **on**.

Color grade must be enabled to perform an extinction ratio measurement and a Dark calibration. In addition, the dark level (amplitude when there is no signal present) must be on the screen to perform a Dark calibration.

2. Press the blue shift key, and then the **Meas eye** softkey which is located beneath the display.
3. Press **Extinction ratio ...** and then **Dark cal**.

Disconnect all inputs from the module, including the trigger signal, and block any ambient light to the photodetector with a connector plug. Follow the instructions on the screen.

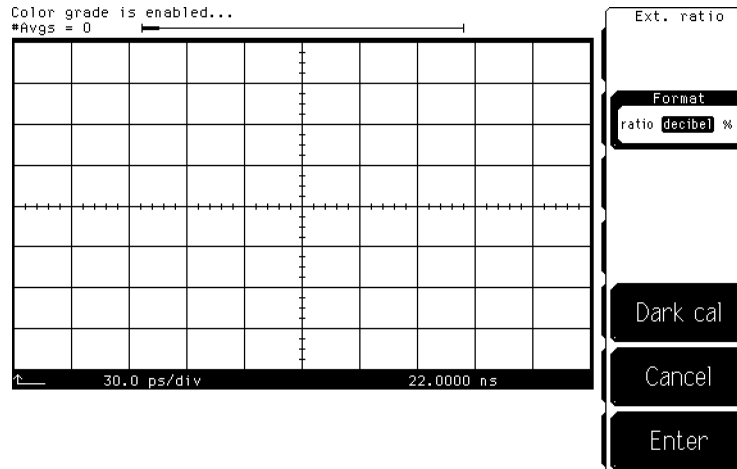


Figure 3-4. Dark calibration menu

---

## Channel Skew Calibration

This calibration affects both optical and electrical measurements. The skew calibration changes the horizontal position of a waveform on the display. The skew calibration has a range of approximately  $100 \mu\text{s}$ . You can use skew to compensate for the differences in cable or probe lengths. It also allows you to place the trigger edge at the center of the display when you are using a power splitter connected between the channel and trigger inputs. Another use for skew is when you are comparing two waveforms that have a timing difference. If you are interested in comparing the shapes of two waveforms rather than the actual timing difference, you can use skew to overlay one waveform on top of the other waveform.

**To skew two channels**

1. Turn both channels on and overlay the signals vertically.
2. Expand the time base so that the rising edges are at about a 45° angle.
3. Press the plug-in module's front-panel channel **SETUP** key.
4. Press **Calibrate** and then **Skew**.
5. Adjust the skew on one of the channels so that the rising edges overlap at the 50% points.

---

## Probe Calibration

Probe calibration applies to electrical measurements only. For active probes such as the Agilent 54701A, which the instrument can identify through the probe power connector, the instrument automatically adjusts the channel vertical scale factors to the probe's nominal attenuation, even if a probe calibration is not performed.

For passive probes or non-identified probes, the instrument adjusts the vertical scale factors only if a probe calibration is performed. Probe calibration allows the instrument to establish the gain and offset of specific probes that are connected to a channel of the instrument, and then apply those factors to the calibration of that channel.

The analyzer calibrates to the tip of the probe by setting the probe attenuation to the actual attenuation ratio of the probe. The CAL signal is internally routed to the probe tip for Agilent Technologies active probes.

The mainframe's CAL signal is a voltage source, therefore you can let the instrument compensate for the actual characteristics of your probe by letting the instrument calibrate to the tip of the probe. The instrument automatically calibrates to the tip of the probe, sets the probe attenuation, and compensates for any probe offset.

If you do not perform a probe calibration but want to use a passive probe, enter the attenuation factor using the following steps:

1. Press the plug-in module's front-panel channel **SETUP** key.

**User Calibrations—Optical and Electrical**

2. Press **External scale** and then **Attenuation**.

You can use the probe calibration to calibrate any network, including probes or cable assemblies. The instrument calibrates the voltage at the tip of the probe or the cable input.

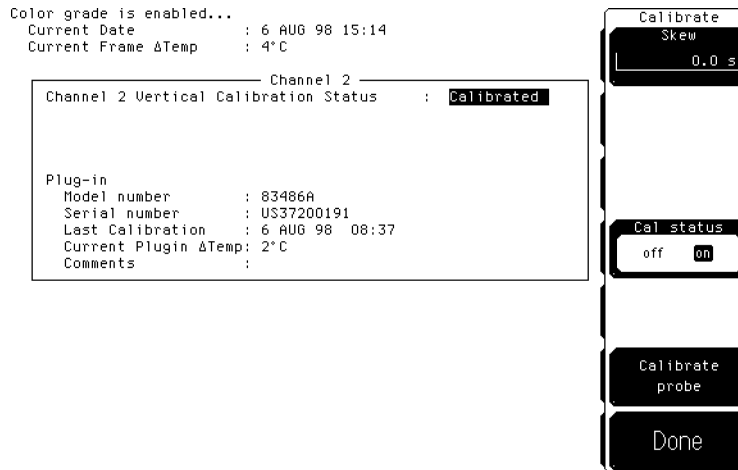
**To calibrate an Agilent Technologies identifiable probe**

1. Press the plug-in module's front-panel-channel **SETUP** key.
2. Press **Calibrate** and then **Calibrate Probe**.

**To calibrate a non-identifiable probe**

1. Connect the voltage probe to the plug-in.
2. Attach the probe tip to the CAL hook that is located near the floppy disk drive.
3. Press the plug-in module's front-panel channel **SETUP** key.
4. Press **Calibrate** and then **Calibrate probe**.

If the probe being calibrated has an attenuation factor that allows the instrument to adjust the gain (in hardware) to produce even steps in the vertical scale factors, the instrument will do so. Typically, probes have standard attenuation factors such as divide by 10, divide by 20, or divide by 100.



**Figure 3-5. Electrical Channel Calibrate Menu**

**User Calibrations—Optical and Electrical****To calibrate other devices**

The information in this section applies to both optical and electrical measurements. Since the mainframe's CAL signal is a voltage source, it cannot be used to calibrate to the probe tip when the units are set to Ampere, Watt, or Unknown. Instead, set the external gain and external offset to compensate for the actual characteristics of the probe or device. If you do not know the actual characteristics, you can refer to the typical specifications that came with the probe or device.

1. Press the plug-in module's front-panel channel **SETUP** key.
2. Press **External scale**.
3. Press **Atten units** **Ratio**, **Attenuation** **1:1**, and then **Units** **Ampere** (Volt, Watt, or Unknown).
4. Press **Ext gain**, and enter the actual gain characteristics of the probe or device.
5. Press **Ext offset**, and enter the offset introduced by the probe or device.

---

## External Scale

Both optical and electrical channels have an External scale setting which allows the user to enter in an offset value to compensate for gains or losses not associated with the device under test. This feature is useful for adjusting out the effects of devices such as test fixtures and attenuators so that the reading on the display gives the measurement value associated with only the actual device under test.

**To adjust the external scale**

1. Press the plug-in module's front-panel channel **SETUP** key.
2. Press **External scale**, and set the **Atten units** to "decibel".
3. Press **Attenuation**, and enter the appropriate values.

User Calibrations—Optical and Electrical

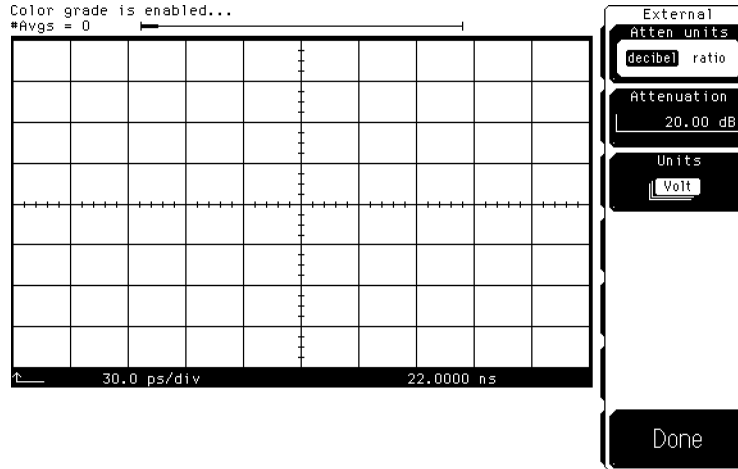


Figure 3-6. External Scale Menu

# Complete Calibration Summary

**Table 3-4. Complete Calibration Summary**

Calibration	What is calibrated	Measurements Affected	Recommended Interval	Key Path
Mainframe Calibration	Accuracy and continuity of the timescale	Channels affected: optical & electrical. All time base measurements such as rise time, fall time, eye width, and jitter.	Annually at Agilent service center or if operating temp has changed and remains 5°C or more from calibration temperature. See service manual.	Utility Calibrate Calibrate frame
O/E Factory Wavelength Calibration	The photodetector responsivity	Channels affected: optical. Amplitude accuracy of all optical channel measurements. Optical power meter accuracy.	Annual factory re-calibration of standard wavelengths.	Not user accessible. <sup>1</sup>
O/E User Wavelength Calibration	The photodetector responsivity	Channels affected: optical. All optical channel measurements at user wavelengths.	Annual re-calibration of user defined non-factory wavelengths	Optical Channel Setup Calibrate O/E Cal
Plug-in Vertical Calibration	Vertical offset and vertical scale accuracy for both electrical and optical channels.	Channels affected: optical & electrical. Any optical or electrical vertical measurements such as $V_{p \text{ to } p}$ , eye height, extinction ratio, and the optical power meter	Perform after any power cycle or once every 10 hours during continuous use or if operating temperature changes by more than 2°C.	Utility Calibrate Calibrate Plug-in

<sup>1</sup> Refer to "O/E User-Wavelength Calibration" in this chapter.



Table 3-4. Complete Calibration Summary (continued)

Calibration	What is calibrated	Measurements Affected	Recommended Interval	Key Path
Offset Zero Calibration	Vertical offset is calibrated for the optical channel only. This calibration doesn't include vertical scale accuracy.	Channels affected: optical. Any optical vertical measurements including: $V_{P\ to\ P}$ , eye height, and extinction ratio.	Perform a plug-in vertical calibration in order to meet published specifications. Because the offset zero calibration performs only the offset portion of the plug-in vertical calibration, it should only be used before fast non-critical measurements.	<b>Optical Channel Setup</b> Calibrate Offset 0
Dark Calibration	Dark calibration measures the channel offset signal without any light present and this value is used in the extinction ratio algorithm.	Channels affected: optical & electrical. Extinction ratio.	Before extinction ratio measurements if the vertical scale or offset has changed since the last dark calibration or after a plug-in vertical calibration is performed.	<b>Shift</b> , <b>Meas eye</b> Extinction ratio Dark Cal
Probe calibration	Probe Attenuation	Channels affected: electrical. Any electrical measurement taken with the probe	Whenever a probe is connected	<b>Electrical Channel Setup</b> Calibrate Calibrate probe
Channel Skew	Calibrates out the small differences in delay between channels. Useful for looking at timing differences between channels	Channels affected: optical & electrical. Multiple channel measurements, such as Differential TDR	Before multiple channel measurements when measuring timing differences between channels.	<b>Channel Setup</b> Calibrate Skew
External Scale	Compensates for gain or loss associated with external devices  calibrates vertical scale to external device	Channels affected: optical & electrical. Any measurement taken through an external device  component or transducer	Whenever using external devices  component or transducer	<b>Channel Setup</b> External Scale

## Calibration Overview



**Specifications and  
Characteristics**

---

## Specifications and Characteristics

This chapter lists the system specifications and characteristics of the Agilent 83481A optical/electrical plug-in module when it is combined with either the Agilent 83480A or Agilent 54750A mainframes. The specifications and characteristics for the mainframe are in the *Agilent 83480A, 54750A User's Guide*. Specifications apply over the temperature range +15° C to +35° C (unless otherwise noted) after the instrument's temperature has been stabilized after 60 minutes of continuous operation.

### **Specifications**

Specifications described warranted performance. Unless otherwise noted, corrected limits are given when specifications are subject to minimization with error-correction routines.

### **Characteristics**

Characteristics provide useful, nonwarranted, information about the functions and performance of the instrument. Characteristics are printed in italics.

### **Calibration cycle**

Agilent Technologies designs instruments to meet specifications over the recommended calibration interval provided that the instrument is operated within the specified operating environment. To maintain specifications, periodic recalibrations are necessary. We recommend that the plug-in module be calibrated at an Agilent Technologies service facility every 12 months. Users are encouraged to adjust the calibration cycle based on their particular operating environment or measurement accuracy needs.

---

## Specifications

The following are specifications used to test the Agilent 83481A plug-in module. Specifications are valid after a 1 hour warm-up period. See the *Agilent 54701A Active Probe Service Guide* for complete probe specifications.

**Specifications****Vertical specifications**

<b>Electrical Channel</b>	
Bandwidth  −3 dB	dc to 12.4 or 20 GHz, user selectable
dc Accuracy—single voltage marker <sup>1</sup>	
12.4 GHz	±0.4% of full scale ±2 mV ±1.5%  reading − channel offset  ±  2%/°C   ΔT <sub>cal</sub> <sup>2</sup>    reading  − 0.4%/hr  ΔTime <sup>3</sup>    reading
20 GHz	±0.4% of full scale ±2 mV ±3%  reading − channel offset  ±  2%/°C   ΔT <sub>cal</sub> <sup>2</sup>    reading  − 0.4%/hr  ΔTime <sup>3</sup>    reading
dc Difference—two marker accuracy on same channel <sup>1</sup>	
12.4 GHz	±0.8% of full scale ±1.5% of delta marker reading ±  2%/°C   ΔT <sub>cal</sub> <sup>2</sup>    reading  − 0.4%/hr  ΔTime <sup>3</sup>    reading
20 GHz	±0.8% of full scale ±3% of delta marker reading ±  2%/°C   ΔT <sub>cal</sub> <sup>2</sup>    reading  − 0.4%/hr  ΔTime <sup>3</sup>    reading
<i>Transition Time (10%–90%) calculated from <math>T = 0.35/BW</math>, typical</i>	
12.4 GHz	≤ 28.2 ps
20 GHz	≤ 17.5 ps
<i>Maximum Noise (RMS)</i>	
12.4 GHz	≤ 0.5 mV (0.25 mV typical)
20 GHz	≤ 1 mV (0.5 mV typical)
Scale Factor  full scale is eight divisions	
Minimum	1 mV/div
Maximum	100 mV/div
dc Offset Range	±500 mV

<sup>1</sup> It is recommended that a user vertical calibration be performed after every 10 hours of continuous use or if the temperature has changed by greater than 2°C from the previous vertical calibration.

<sup>2</sup> Where ΔT<sub>cal</sub> represents the temperature change in Celsius from the last user vertical calibration. Note that the temperature term goes to zero upon execution of a vertical calibration.

<sup>3</sup> Where ΔTime represents the time since the last user vertical calibration. The uncertainty due to time typically stabilizes after 24 hours. This term goes to zero upon execution of a vertical calibration.

<b>Electrical Channel</b>	
Nominal Impedance	50 $\Omega$
Connector	3.5mm  m
Reflections	$\leq 5\%$ for 30 ps rise time
Dynamic Range	$\pm 400$ mV relative to channel offset
<i>Maximum Safe Input Voltage</i>	<i>16 dBm peak ac <math>\pm 2V</math> dc</i>

Specifications and Characteristics

**Specifications**

<b>Optical Channel</b>	
Bandwidth  −3 dB	dc to 2.85 GHz ( <i>dc to 3.0 GHz characteristic</i> )
Maximum Specified Peak Input Power <sup>1</sup>	
Continuous Wave	0.6 mW  −2.2 dBm
Modulated	0.4 mW  −4 dBm
dc Accuracy  single marker <sup>2</sup>   <sup>3</sup>	±0.4% of full scale ±6 μW ±3% of  reading − channel offset  ±  2%/°C   ΔT <sub>cal</sub> <sup>4</sup>    reading  − 0.4%/hr  ΔTime <sup>5</sup>    reading
dc Difference <sup>3</sup>  two marker accuracy, same channel <sup>2</sup>	±0.8% of full scale ±3% of delta marker reading ±  2%/°C   ΔT <sub>cal</sub> <sup>4</sup>    reading  − 0.4%/hr  ΔTime <sup>5</sup>    reading
<i>Transition Time (10%–90% calculated from <math>T = 0.49/BW</math> optical)</i>	≤ 245 ps, unfiltered mode
<i>RMS Noise, 2 GHz or filtered mode</i>	
<i>Typical</i>	< 1.5 μW
<i>Maximum</i>	< 2.5 μW
Scale Factor  full scale is eight divisions	
Minimum	5 μW/div
Maximum	100 μW/div
dc Offset Range	+0.2 mW to −0.6 mW  referenced to two divisions above bottom of screen
Connector Type	9/125 μm single mode, user selectable connector option
Input Return Loss	33 dB  HMS-10 connector

1 Exceeding the specified input power level will cause waveform distortion.

2 Referenced to average power monitor.

3 It is recommended that a user vertical calibration be performed after every 10 hours of continuous use or if the temperature has changed by greater than 2°C from the previous vertical calibration.

4 Where ΔT<sub>cal</sub> represents the temperature change in Celsius from the last user vertical calibration. Note that the temperature term goes to zero upon execution of a vertical calibration.

5 Where ΔTime represents the time since the last user vertical calibration. The uncertainty due to time typically stabilizes after 24 hours. This term goes to zero upon execution of a vertical calibration.



<b>Optical Channel</b>	
Filtered Bandwidth	Measured response conforms to ITU-TS G.957 and GR-253-CORE for reference receivers for both STM-1/OC-3 and STM-4/OC-12 data rates
Calibrated Wavelengths	1310 nm and 1550 nm
Average Power Monitor	
Specified operating range	−30 dBm to −4 dBm [1 $\mu$ W to 400 $\mu$ W]
Factory calibrated accuracy [20°C to 30°C]	$\pm$ 5% of reading $\pm$ 100 nW $\pm$ connector uncertainty
User calibrated accuracy <sup>1</sup> <5°C temp. change	$\pm$ 2% of reading $\pm$ 100 nW $\pm$ power meter uncertainty
Maximum Safe Input	10 mW peak
Wavelength Range	1000–1600 nm

<sup>1</sup> A user calibration can be performed with average optical power levels from 100 to 400  $\mu$ W, however, the instrument optical accuracy specification is only valid for average optical calibration powers of 200  $\pm$ 50  $\mu$ W.

**Specifications**

---

## Environmental specifications

Electrical and Optical Channels	
Temperature	
Operating	15°C to +35°C
Non-operating	−40°C to +70°C
Humidity	
Operating	up to 90% relative humidity  non-condensing  at ≤35°C
Non-operating	up to 95% relative humidity  non-condensing  at ≤65°C

---

## Power requirements

Supplied by mainframe.

---

## Weight

Net	approximately 1.2 kg  2.6 lb.
Shipping	approximately 2.1 kg  4.6 lb.

---

## Characteristics

The following characteristics are typical for the Agilent 83481A optical/electrical plug-in module. See the *Agilent 54701A Active Probe Service Guide* for complete probe characteristics.


---

### Trigger input characteristics

Electrical and Optical Channels	
<i>Nominal Impedance</i>	50 $\Omega$
<i>Input Connector</i>	3.5 mm (m)
<i>Trigger Level Range</i>	$\pm 1$ V
<i>Maximum Safe Input Voltage</i>	$\pm 2$ Vdc + ac peak (+16 dBm)
<i>Percent Reflection</i>	$\leq 10\%$ for 100 ps rise time

Refer to the *Agilent 83480A, 54750A User's Guide* for trigger specifications.

# Declaration of Conformity

<b>DECLARATION OF CONFORMITY</b> according to ISO/IEC Guide 22 and EN 45014	
<b>Manufacturer's Name:</b>	Hewlett-Packard Co.
<b>Manufacturer's Address:</b>	1400 Fountaingrove Parkway Santa Rosa, CA 95403-1799 USA
declares that the product:	
<b>Product Name:</b>	Optical/Electrical plug-in module
<b>Model Number:</b>	HP 83481A, 83485A, 83485B
<b>Product Options:</b>	This declaration covers all options of the above product.
conforms to the following Product specifications:	
<b>Safety:</b>	IEC 1010-1:1990+A1 / EN 61010-1:1993 CAN/CSA-C22.2 No. 1010.1-92
<b>EMC:</b>	CISPR 11:1990/EN 55011:1991 Group 1, Class A IEC 801-2:1984/EN 50082-1:1992 4 kV CD, 8 kV AD IEC 801-3:1984/EN 50082-1:1992 3 V/m, 27-500 MHz IEC 801-4:1988/EN 50082-1:1992 0.5 kV Sig. Lines, 1 kV Power Lines
<b>Supplementary Information:</b>	
These products were tested in an HP 83480A mainframe. These products herewith comply with the requirements of the Low Voltage Directive 73/23/EEC and the EMC Directive 89/336/EEC.	
Santa Rosa, California, USA	10/25/95  Dixon Browder/Quality Manager
European Contact: Your local Hewlett-Packard Sales and Service Office or Hewlett-Packard GmbH, Department ZQ/Standards Europe, Herrenberger Strasse 130, D-71034 Böblingen, Germany (FAX: +49-7031-14-3143)	

**—————** In Case of Difficulty

---

## In Case of Difficulty

**What you'll find in this chapter**

This chapter provides a list of suggestions for you to follow if the plug-in module fails to operate. A list of messages that may be display is also included.

For complete service information, refer to the optional *Agilent 83481A Service Guide*.

---

## If You Have Problems

Review the procedure being performed when the problem occurred. Before calling Agilent Technologies or returning the unit for service, a few minutes spent performing some simple checks may save waiting for your instrument to be repaired.

---

### If the mainframe does not operate

Please make the following checks:

1. Is the line fuse good?
2. Does the line socket have power?
3. Is the unit plugged in to the proper ac power source?
4. Is the mainframe turned on?
5. Is the rear-panel line switch set to on?
6. Will the mainframe power up *without* the plug-in module installed?

If the mainframe still does not power up, refer to the optional *Agilent 83480A, 54750A Service Guide* or return the mainframe to a qualified service department.

---

## If the plug-in does not operate

1. Make the following checks:

- Is the plug-in module firmly seated in the mainframe slot?
- Are the knurled screws at the bottom of the plug-in module finger-tight?
- Is a trigger signal connected to a trigger input?
- If other equipment, cables, and connectors are being used with the plug-in module are they connected properly and operating correctly?
- Review the procedure for the test being performed when the problem appeared. Are all the settings correct? Can the problem be reproduced?
- Are the connectors clean? See “Cleaning and handling” in Chapter 1 for more information about cleaning the connectors.

2. Perform the following procedures:

- Make sure the instrument is ready to acquire data by pressing **Run**.
- Find any signals on the channel inputs by pressing **Autoscale**.
- See if any signals are present at the channel inputs by pressing:

**Trigger**  
**Sweep**  
**freerun**

After viewing the signal, press **triggered**.

- Make sure Channel Display is on by pressing:

**Channel**  
**Display on off on**

- Make sure the channel offset is adjusted so the waveform is not clipped off the display.
- If you are using the plug-in module only as a trigger source, make sure at least one other channel is turned on.

If all of the channels are turned off, the mainframe will not trigger.



- Make sure the mainframe identifies the plug-in module by pressing:

Utility

System config...

The calibration status of the plug-in modules is listed near the bottom of the display, in the box labeled “**Plug-ins**”. If the model number of the plug-in module is listed next to the appropriate slot number, then the mainframe has identified the plug-in.

If “~known” is displayed instead of the model number of the plug-in module, remove and reinsert the plug-in module in the same slot. If “~known” is still displayed, then the memory contents of the plug-in module are corrupt. Refer to the optional *Agilent 83481A Service Guide* or contact a qualified service department.

If all of the above steps check out okay, and the plug-in module still does not operate properly, then the problem is beyond the scope of this book. Refer to the optional *Agilent 83481A Service Guide* or return the plug-in module to a qualified service department.

---

## Error Messages

The following error messages are for the plug-in module. Typically, the error messages indicate there is a problem with either the plug-in or the mainframe.

This section explains what the messages mean and offers a few suggestions that might help resolve the error condition. If the suggestions do not eliminate the error message, then additional troubleshooting is required that is beyond the scope of this book. Refer to the optional *Agilent 83481A Service Guide* and *Agilent 83480A, 54750A Service Guide* for additional troubleshooting information.

Additional error messages are listed in the *Agilent 83480A, 54750A User's Guide* for the mainframe.

### **Memory error occurred in plug-in \_ : Try reinstalling plug-in**

The mainframe could not correctly read the contents of the memory in the plug-in.

1. Remove and reinstall the plug-in module.

Each time a plug-in is installed, the mainframe rereads the plug-in module's memory.

2. Verify the plug-in module is firmly seated in the mainframe slot.
3. Verify the knurled screws at the bottom of the plug-in module are finger-tight.
4. Install the plug-in in a different slot in the mainframe.

### **Busy timeout occurred with plug-in \_ : Try reinstalling plug-in**

The mainframe is having trouble communicating with the plug-in module. Make sure there is a good connection between the mainframe and the plug-in module.

1. Remove and reinstall the plug-in module.
2. Verify the plug-in module is firmly seated in the mainframe slot.
3. Verify the knurled screws at the bottom of the plug-in module are finger-tight.
4. Install the plug-in in a different slot in the mainframe.

**Communication failure exists at slot \_ : Service is required**

An illegal hardware state is detected at the mainframe to plug-in module interface of the specified slot.

If the slot is empty, there is a mainframe hardware problem. Refer to the *Agilent 83480A, 54750A Service Guide*.

If a plug-in is installed in the slot, there is a plug-in module hardware problem. Refer to the optional *Agilent 83481A Service Guide*.

**ID error occurred in plug-in \_ : Service is required**

The information read from the plug-in module's memory does not match the hardware in the plug-in module. This can be caused by a communication problem between the mainframe and the plug-in module. Make sure there is a good connection between the mainframe and the plug-in.

1. Remove and reinstall the plug-in module.
2. Verify the plug-in module is firmly seated in the mainframe slot.
3. Verify the knurled screws at the bottom of the plug-in module are finger-tight.
4. The Agilent 54750A mainframe does not accept the Agilent 83481A optical/electrical plug-in module. To use the optical plug-in modules, a firmware upgrade must first be installed. Order the Agilent 83480K communications firmware kit and follow the installation instructions.
5. The Agilent 83480A, 54750A mainframes do not accept plug-in modules designed for use with the Agilent 54710A, 54720A.

**Cal not possible**

The power is too low to perform a user O/E calibration.

**In Case of Difficulty**



---

---

# Index

---

# Index

- A** accessories  
    connection devices, 1-4  
    optional, 1-4  
accuracy performance, 1-11  
active probe, 2-7  
Agilent Technologies Sales and Service Offices, v  
attenuation  
    range, 2-10  
Attenuation softkey, 2-10  
attenuator, scaling, 2-9  
Atten units softkey, 2-9  
automatic measurement, 2-5  
auxiliary power connector, 1-8
- B** Bandwidth key, 2-8  
Bandwidth/Wavelength . . . softkey, 2-8  
Bessel-Thomson filter, 1-2, 2-8
- C** Calibrate probe softkey, 2-15  
Calibrate softkey, 2-11  
calibration  
    external scale, 3-15  
    factory, 3-4  
    mainframe, 3-4  
    O/E, 2-14, 3-6  
    O/E converters, 3-15  
    O/E user wavelength, 3-9  
    offset zero, 2-14, 3-12  
    overview, 3-2  
    plug-in module vertical calibration, 3-11  
    probe, 3-16  
    probes, 3-15  
    skew, 3-15  
    status, 5-5  
    user, 3-7  
    validity, 2-14  
    vertical, 1-11  
    voltage probe, 3-16  
CAL signal, 2-15  
Cal status softkey, 2-13  
channel

- display, 2-5
- electrical, 1-2
- input, 1-8
- optical, 1-2
- scale, 2-10
- setup, 2-2
- Channel 1 Calibration Status message, 2-14
- Channel autoscale softkey, 2-9
- Channel key, 2-2
- characteristics, 4-9
- compatibility of connectors, 1-20
- connection devices, 1-4
- connector care, 1-14-19
  - cleaning, 1-16
  - handling, 1-16
  - lensed, 1-18
  - non-lensed, 1-17
- connector interface, 1-20
- Current Date message, 2-13
- Current Frame  $\Delta$ Temp message, 2-13
- customer assistance, v

**D** decibel calculation, 2-9  
declaration of conformity, 4-10  
description of the plug-in module, 1-2  
digital offset, 2-7  
Display softkey, 2-5

**E** electrical channel, 1-2

- environmental specifications , 4-8
  - power requirements, 4-8
  - trigger input characteristics, 4-9
  - vertical specifications, 4-4
  - weight, 4-8
- environmental specifications , 4-8
- error messages, 5-6-7
- extender cables, 1-12
- external scale calibration, 3-15
- External scale . . . softkey, 2-9
- external trigger
  - input, 1-8
  - level, 1-12
- Ext gain softkey, 2-11
- Ext offset softkey, 2-11

- F** factory calibration, 3-4
  - fiber ends inspection, 1-21
  - Filter key, 2-8
  - firmware requirements, 1-11
  - front panel overview, 1-8
  
- H** horizontal waveform, 2-12
  
- I** insertion loss, 1-22
  - insertion technique for connectors, 1-20
  - installing the plug-in module, 1-11
  
- K** key conventions, 1-5
  
- L** lensed connector care, 1-18
  - lightwave adapters, 1-18
  - lightwave connector care, 1-14-19
  
- M** mainframe calibration, 3-4
  - mainframe troubleshooting, 5-3
  - making connections, 1-20
  - marker value, 2-10
  - math function, 2-5
  - menu overview, 1-5
  
- N** non-lensed connector care, 1-17
  
- O** O/E calibration, 3-6
  - O/E cal softkey, 2-14
  - O/E converter calibration, 3-15
  - O/E user wavelength calibration, 3-9
  - offset, 2-5-7, 2-10, 2-14
  - Offset softkey, 2-7
  - offset zero calibration, 3-12
  - Offset zero softkey, 2-14
  - optical
    - fiber interface, 1-20
    - performance testing, 1-22
  - optical channel, 1-2, 2-8
    - environmental specifications , 4-8
    - power requirements, 4-8
    - trigger input characteristics, 4-9
    - vertical specifications, 4-5
    - weight, 4-8



optical-to-electrical converter scaling, 2-9  
optional accessories, 1-4  
options, 1-4  
ordering information, 1-4

**P** Plug-in message, 2-14  
plug-in module  
  description, 1-2  
  features, 1-7  
  front panel, 1-8  
  installation, 1-11  
  power requirements, 4-8  
  purpose, 1-8  
  specifications, 4-3-8  
  troubleshooting, 5-4  
  weight, 4-8  
plug-in module vertical calibration, 3-11  
power level, 2-7  
power requirements, 4-8  
probe  
  attenuation, 2-10, 2-15  
  attenuation factor, 2-9  
  characteristics, 2-11  
  power, 2-7  
  power connector, 1-8  
probe calibration, 3-15, 3-16  
pulse parameter measurements, 2-5

**R** return loss, 1-23  
RF connectors, 1-11

**S** safety information, vii-8, 1-12  
sales and service offices, v  
Scale softkey, 2-6  
shifted function keys, 1-5  
skew calibration, 3-15  
Skew softkey, 2-12  
softkey  
  menu, 1-8  
  overview, 1-5  
SONET/SDH filter, 1-2, 2-8  
specifications, plug-in module, 4-3-8

- T** technical assistance, v
- temperature change, 2-13-14
- torque requirements for connectors, 1-20
- trigger
  - external, 1-12
  - input characteristics, 4-9
  - level, 2-10
  - source, 2-5
- troubleshooting, 5-3-7
  
- U** Units softkey, 2-6, 2-10
- user calibrations, 3-7
  
- V** vertical
  - calibration, 1-11
  - measurement, 2-10
  - scale, 2-5-6, 2-9
  - specifications, 4-4
  - waveform, 2-7
- visual inspection of fiber ends, 1-21
- voltage
  - measurement, 2-10
  - probe, 2-15
- voltage probe calibration, 3-16
  
- W** warranty information, iv
- wattage measurement, 2-10
- waveform
  - display, 2-5
  - horizontal, 2-12
- Wavelength key, 2-8
- wavelength settings, 2-8
- weight of plug-in module, 4-8