

Models 1580 & 1580-1 Broadband Resistive Power Dividers

dc to 26.5 GHz
1 Watt

3.5mm Connectors

RoHS



MAXIMUM SWR:

Frequency (GHz)	SWR
dc - 12.4	1.25
12.4 - 18	1.35
18 - 22	1.50
22 - 26.5	1.70

TEMPERATURE RANGE: -55°C to +125°C

CONSTRUCTION: Gold plated brass body; stainless steel connectors; gold plated beryllium copper contacts.

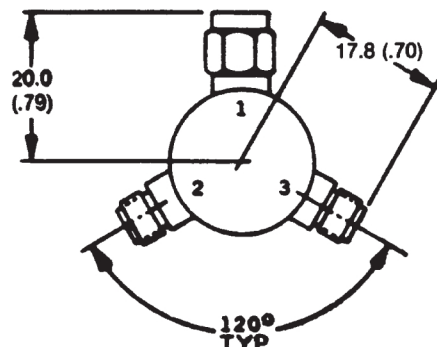
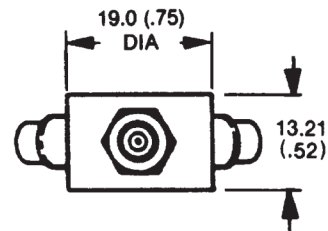
TEST DATA: Insertion loss data supplied at 50 MHz, 12.0, 18.0 and 26.5 GHz. Other test data can be provided at additional cost.

CONNECTORS:

Model 1580: Male 3.5mm connector port 1 and Female 3.5mm connectors ports 2 and 3--all mate nondestructively with SMA, 2.92mm and other 3.5mm connectors.

Model 1580-1: Female 3.5mm connectors all ports--mate nondestructively with SMA, 2.92mm and other 3.5mm connectors.

PHYSICAL DIMENSIONS:



Features

- /// **Miniature Size & Lightweight** - High power capability and high ambient temperature operation.
- /// **Close Tracking & Low Frequency Sensitivity** - Output power symmetry is excellent across the frequency range. Division is 6 dB from matched ports.
- /// **Test data Data** - Insertion loss test data data supplied.

Specifications

NOMINAL IMPEDANCE: 50 Ω

FREQUENCY RANGE: dc to 26.5 GHz

MAXIMUM INPUT POWER: 1 watt CW, 500 watt pulse

INSERTION LOSS (between input & one output arm): 6 dB nominal, 7.5 maximum to 18 GHz and 8.5 maximum to 26.5 GHz.

NUMBER OF PORTS: 3, interchangeable for input and output

PHASE TRACKING: 8° maximum between any two output ports

AMPLITUDE TRACKING (Maximum):

Frequency (GHz)	Tracking
dc - 18	0.50 dB
18 - 22	0.75 dB
22 - 26.5	1.00 dB

POWER COEFFICIENT: < 0.005 dB/dB/watt

TEMPERATURE COEFFICIENT: < 0.0004 dB/dB/°C

NOTE:

1. All dimensions are given in mm (inches) and are maximum, unless otherwise specified.
2. Unit available with RoHS compliant materials, specify when ordering.